



Count on it.

Parts Catalog

Workman® MDE Utility Vehicle

Model No. 07299—Serial No. 314000001 and Up



Ordering Replacement Parts

To order replacement parts, please supply the part number, the quantity, and the description of each part desired.

Understanding Reference Numbers

Each identified part in an illustration has a reference number. The reference number for a part also appears in the parts list, along with other information about the part.

This catalog uses two special reference number formats, one to indicate parts in a service assembly and another to indicate the quantity of a given part in an illustration.

Service Assembly Reference Numbers

Parts in service assemblies have reference numbers in the form a:b. The a represents the reference number of the entire service assembly and the b represents a sequential number unique to each part within the service assembly.

For example, a wheel assembly might be identified by reference number 6, the tire by 6:1, the valve by 6:2, and the wheel by 6:3. When you order the assembly identified by reference number 6, you receive all parts identified by reference numbers 6:1, 6:2, and 6:3. However, you may also order any part individually. Reference numbers of this type appear in illustration and in parts lists.

Reference Numbers Indicating Quantity

In an illustration, if a reference number indicates more than one part, the reference number has the form nX y. The n represents the quantity of the part, the X is the multiplication symbol, and the y represents the reference number.

For example, in an illustration, the reference number 2X 37 means that two of the parts identified by reference number 37 are indicated.

List of Abbreviations

AR: as required

ASM: assembly

BBC: blade brake control

BHTF: button head thread forming

CARR: carriage

CCW: counter clockwise

CW: clockwise

DEG: degrees

DPA: Dual Point Adjustment

ECM: electronic control module

EXT: external

FH: flat head

GA: gauge

HD: heavy-duty

HF: hex flange

HH: hex head

HHF: hex head flange

HHFTF: hex head flange thread forming

HJ: hex jam

HLH: hex lag head

HOC: height-of-cut

HP: high pressure

HSBH: hex socket button head

HSFH: hex socket flat head

HSH: hex socket head

HWH: hex washer head

HWHTF: hex washer head thread forming

HYD: hydraulic

LH: left hand

LP: low pressure

LPG: Liquefied Petroleum Gas

NI: nylon insert

NPTF: national pipe thread fine

PFH: phillips flat head

PPH: phillips pan head

PPHTF: phillips pan head thread forming

PRH: phillips round head

PTH: phillips truss head

PTO: power-take-off

RH: right hand

ROPS: roll-over protection system

RRB: rear roller brush

SFH: slotted fillister head

SHH: slotted hex head

SHWH: slotted hex washer head

SPH: slotted pan head

SQH: square head

SRH: slotted round head

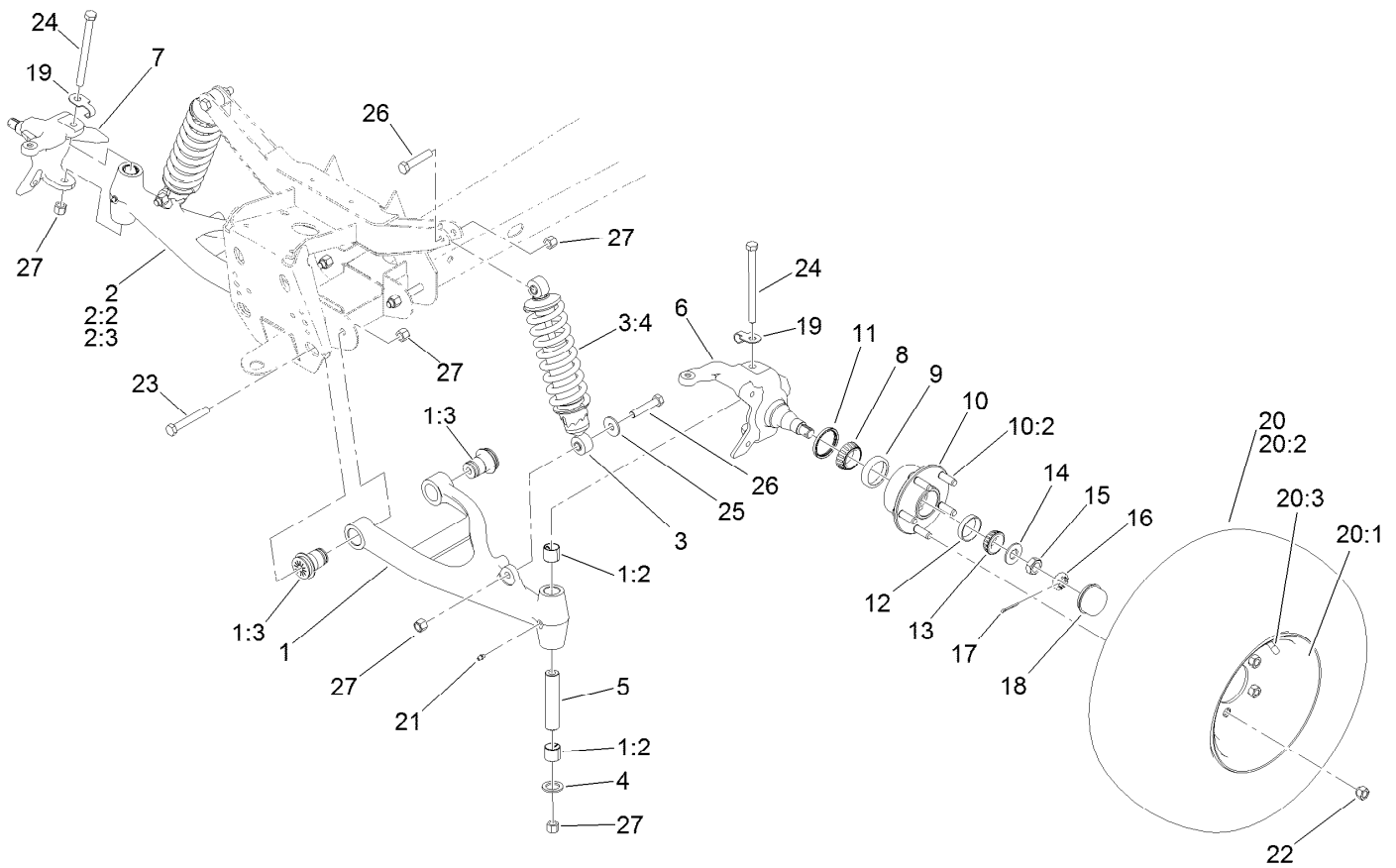
STD: standard

TAP: self tapping

TTH: torx truss head

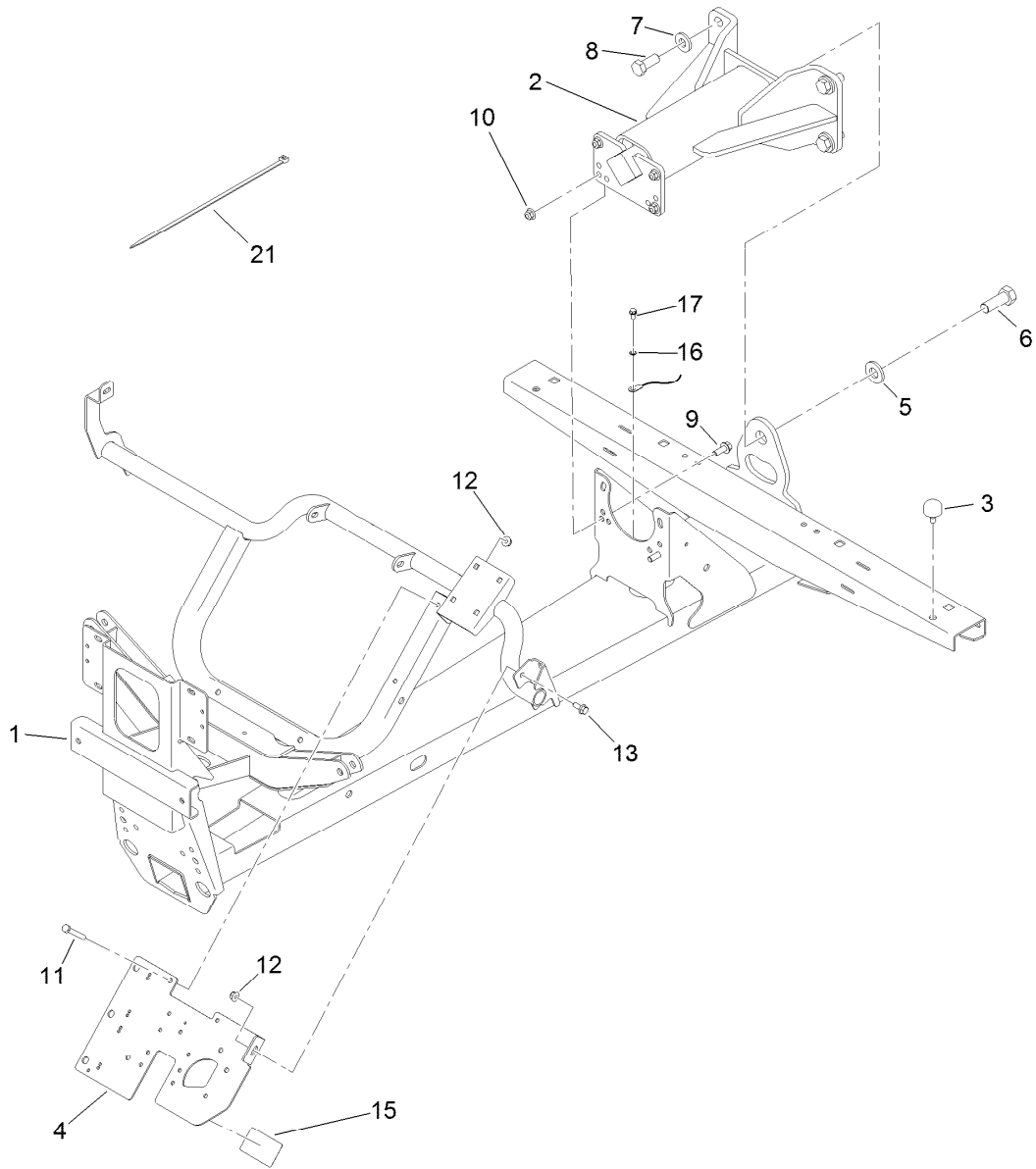
Contents

Front Suspension and Wheel Assembly	4
Front Frame Assembly	5
Front Brake Assembly	6
Master Cylinder Assembly No. 104-6782	7
Brake Caliper Assembly No. 119-9535	8
Rear Brake Line Assembly	9
Steering Assembly	10
Steering Box Assembly No. 112-3130	11
Pedal Box Assembly	12
Charging Receptacle Assembly	13
Offboard 48 Volt Charger Assembly No. 112-3072	14
Hood and Bumper Assembly	15
Fender Well Assembly	16
Fender Assembly	17
Dash Assembly	18
Solenoid Assembly No. 104-7135	20
Seatbase Assembly	21
Cargo Bed Assembly	22
Cargo Bed Service Assembly No. 127-7384	23
Battery and Transaxle Assembly	24
Electric Motor Assembly No. 104-7335	25
Electric Transaxle Assembly No. 114-8330	26
LH Rear Brake Assembly No. 114-8332	28
RH Rear Brake Assembly No. 114-8331	29
Controller Assembly	30
Rear Frame Assembly	31
Attachments and Accessories	32



Front Suspension and Wheel Assembly

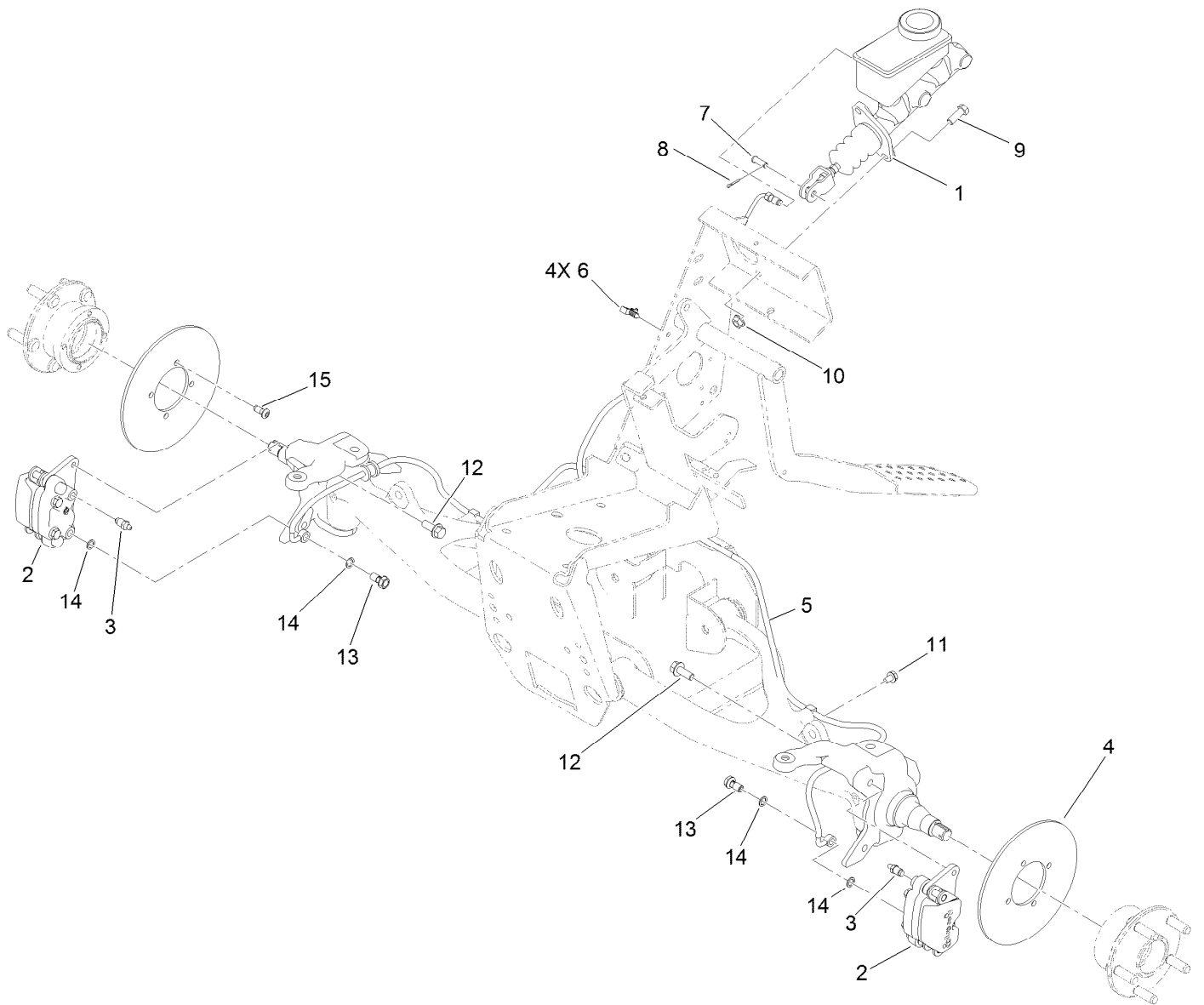
Ref.	Part Number	Qty.	Description	Ref.	Part Number	Qty.	Description
1	114-8313	1	LH A-Arm ASM	13	254-94	2	Bearing-Cone, Tapered
1:2	125-5196	2	Bushing	14	93-0309	2	Washer-Tab
1:3	87-1450	2	Bushing-Flange	15	3220-7	2	Nut-Jam
2	114-8314	1	RH A-Arm ASM	16	93-0307	2	Nut-Lock, Retainer
2:2	125-5196	2	Bushing	17	3272-12	2	Pin-Cotter
2:3	87-1450	2	Bushing-Flange	18	241-119	2	Cap-Dust
3	112-2975	2	Shock/Spring ASM	19	112-3311	2	Clip-Hose
3:4	112-3383	1	Spring	20	120-5025	2	Tire And Wheel ASM
4	256-115	2	Washer-Thrust	20:1	120-4974	1	Wheel
5	99-7499	2	Sleeve-Kingpin	20:2	104-7289	1	Tire
6	119-9521	1	Spindle-LH	20:3	232-27	1	Stem-Valve
7	119-9522	1	Spindle-RH	21	302-5	2	Fitting-Grease
8	254-106	2	Cone-Bearing, Tapered	22	242-50	10	Nut-Lug
9	254-107	2	Cup-Bearing, Tapered	23	325-14	4	Screw-HH
10	117-8071	2	Hub ASM	24	325-20	2	Screw-HH
10:2	10-6830	5	Stud-Type, Drive	25	51-3500	2	Washer
11	108-7019	2	Seal-Shaft	26	325-10	4	Screw-HH
12	254-72	2	Bearing-Cup, Tapered	27	3296-23	10	Nut-Lock, NI



Front Frame Assembly

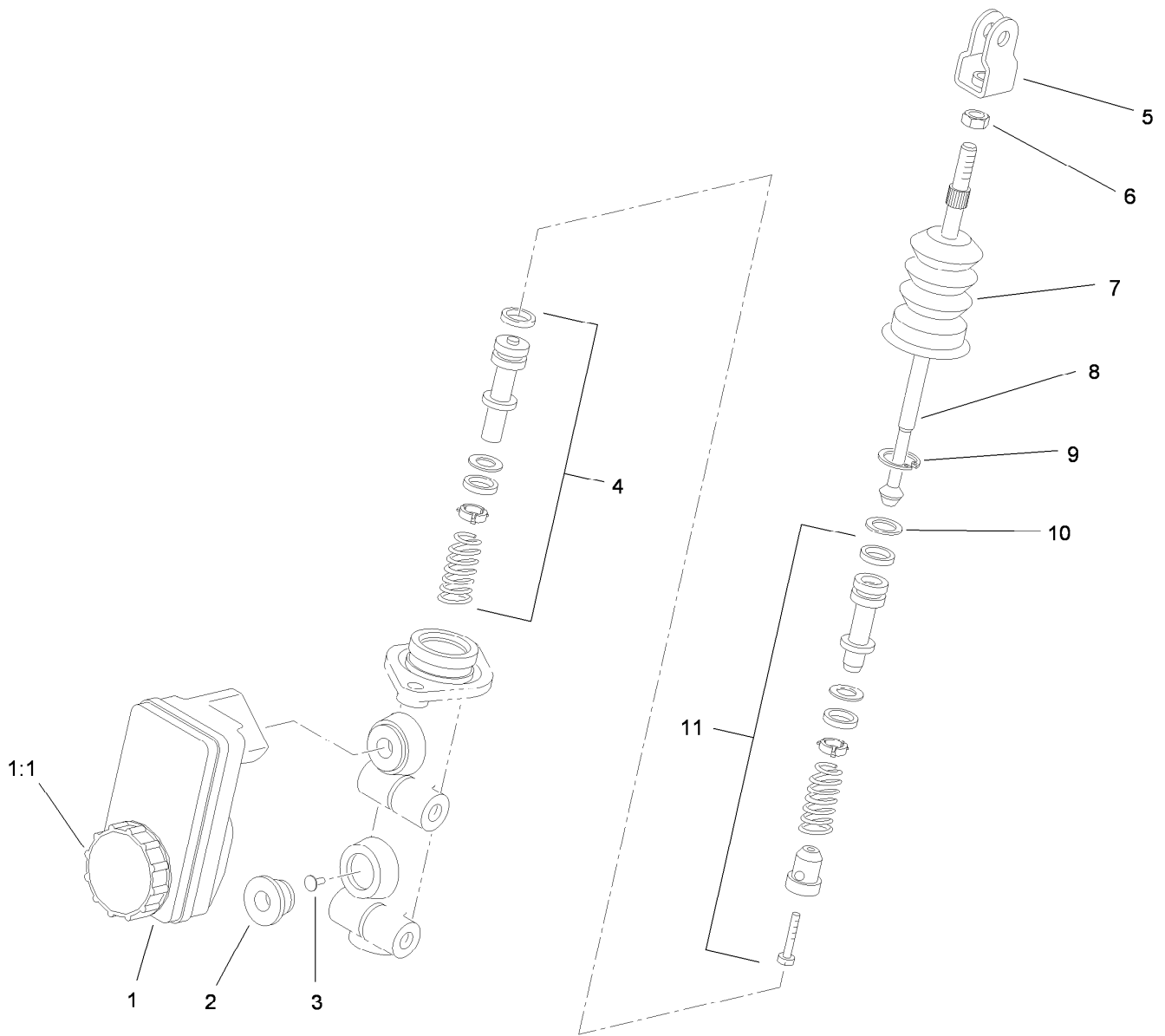
Ref.	Part Number	Qty.	Description
1	112-3340-03	1	Frame-Front
2	99-7700	1	Pivot Yoke ASM
3	87-2440	1	Bumper-Rubber
4	112-3376-03	1	Plate-Mount, Electrical
5	87-3060	1	Washer-Hardened
6	328-24	1	Screw-HH
7	99-7667	4	Washer-Flat
8	327-4	4	Screw-HH
9	3234-11	4	Screw-HHF

Ref.	Part Number	Qty.	Description
10	104-8301	4	Nut-Flange, NI
11	322-11	2	Screw-HH
12	104-8300	3	Nut-Flange, NI
13	110-5053	1	Screw-HHF
15	115-7621	1	Decal-Electrical
16	3254-16	1	Washer-Lock/Int
17	32144-4	1	Screw-HWH
21	3290-379	12	Tie-Cable



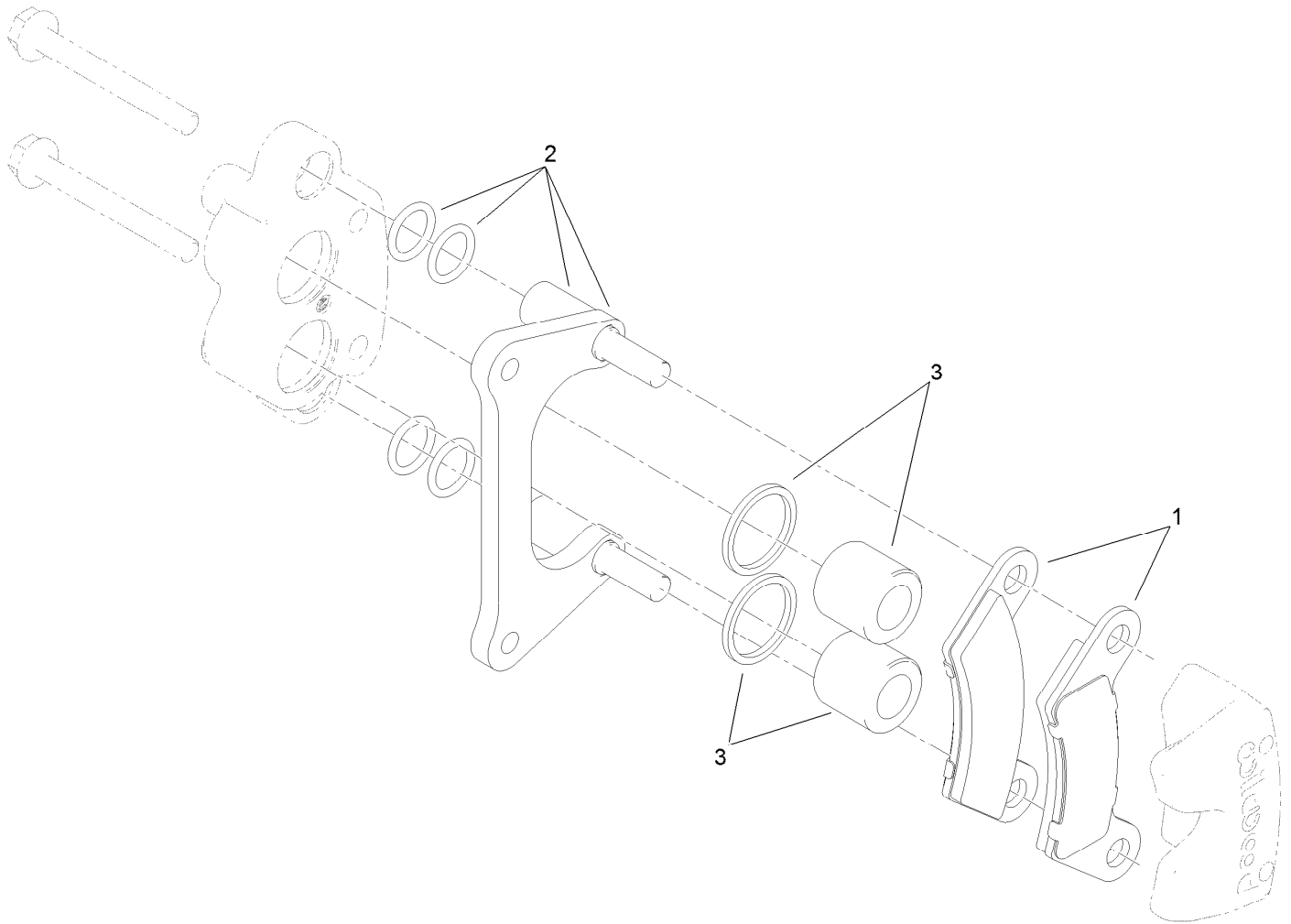
Front Brake Assembly

Ref.	Part Number	Qty.	Description
1	104-6782	1	Master Cylinder ASM
2	119-9535	2	Brake Caliper ASM
3	119-9509	2	Screw-Bleed
4	119-9520	2	Rotor
5	119-9683	1	Front Brake Line ASM
6	114-8324	4	Clip-Line, Brake
7	283-2	1	Pin-Clevis
8	3272-10	1	Pin-Cotter
9	323-6	2	Screw-HH
10	3290-357	2	Nut-HHF, Whiz
11	32104-32	2	Screw-HWH
12	3234-11	4	Screw-HHF
13	120-4875	2	Bolt-Flange, Banjo
14	115-2341	4	Washer-Banjo
15	121-9671	8	Screw-HSBH



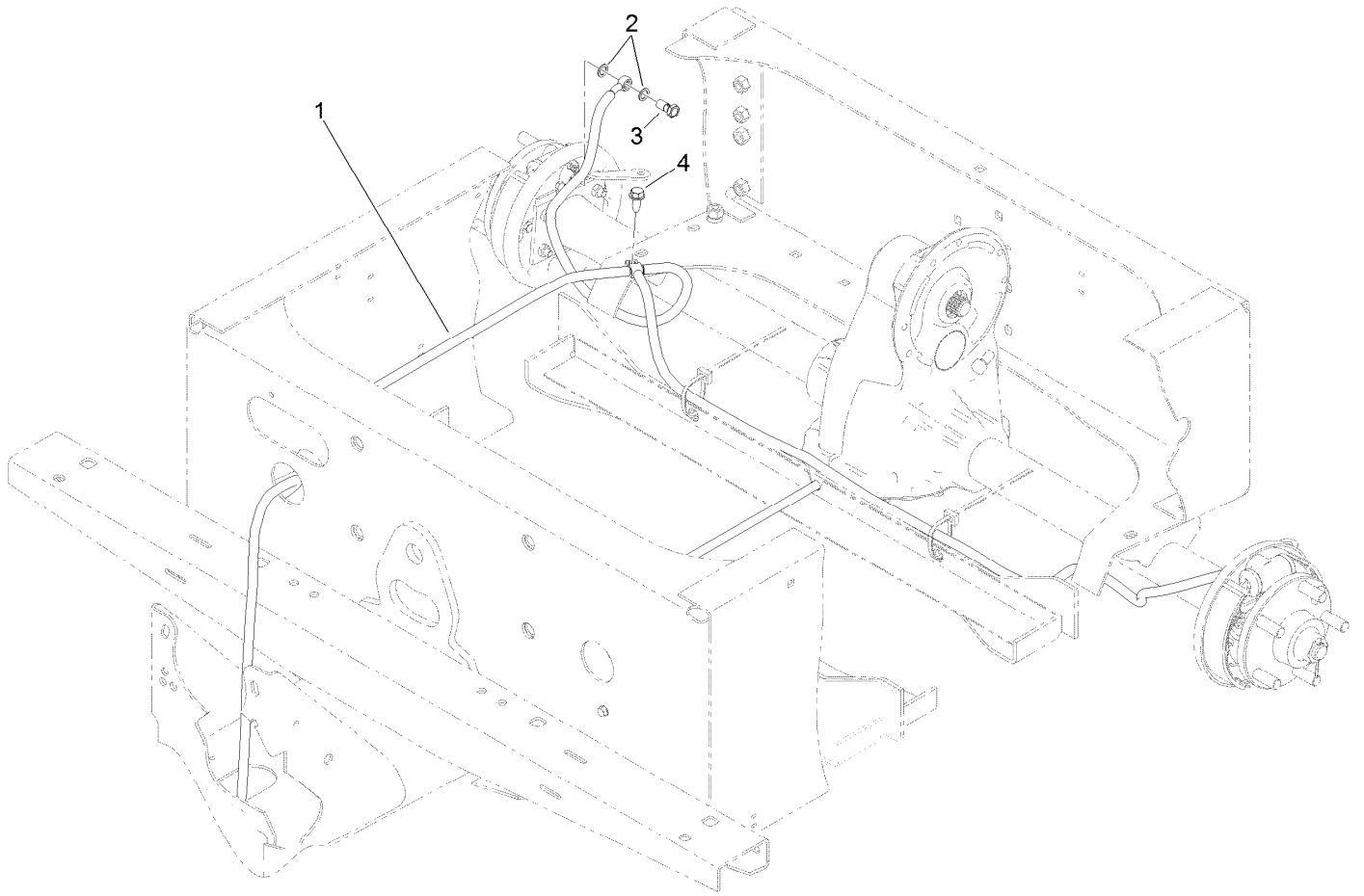
Master Cylinder Assembly No. 104-6782

Ref.	Part Number	Qty.	Description
1	104-6845	1	Reservoir ASM
1:1	92-4112	1	Cap ASM
2	93-8971	2	Seal-Port, Flange
3	92-4103	1	Pin-Stop
4	92-4102	1	Secondary Piston ASM
5	92-4110	1	Clevis
6	21-0360	1	Nut-Hex
7	94-5209	1	Cover-Dust
8	94-5210	1	Rod-Push
9	92-4109	1	Ring-Snap
10	92-4108	1	Retainer-Washer
11	92-4101	1	Primary Piston ASM



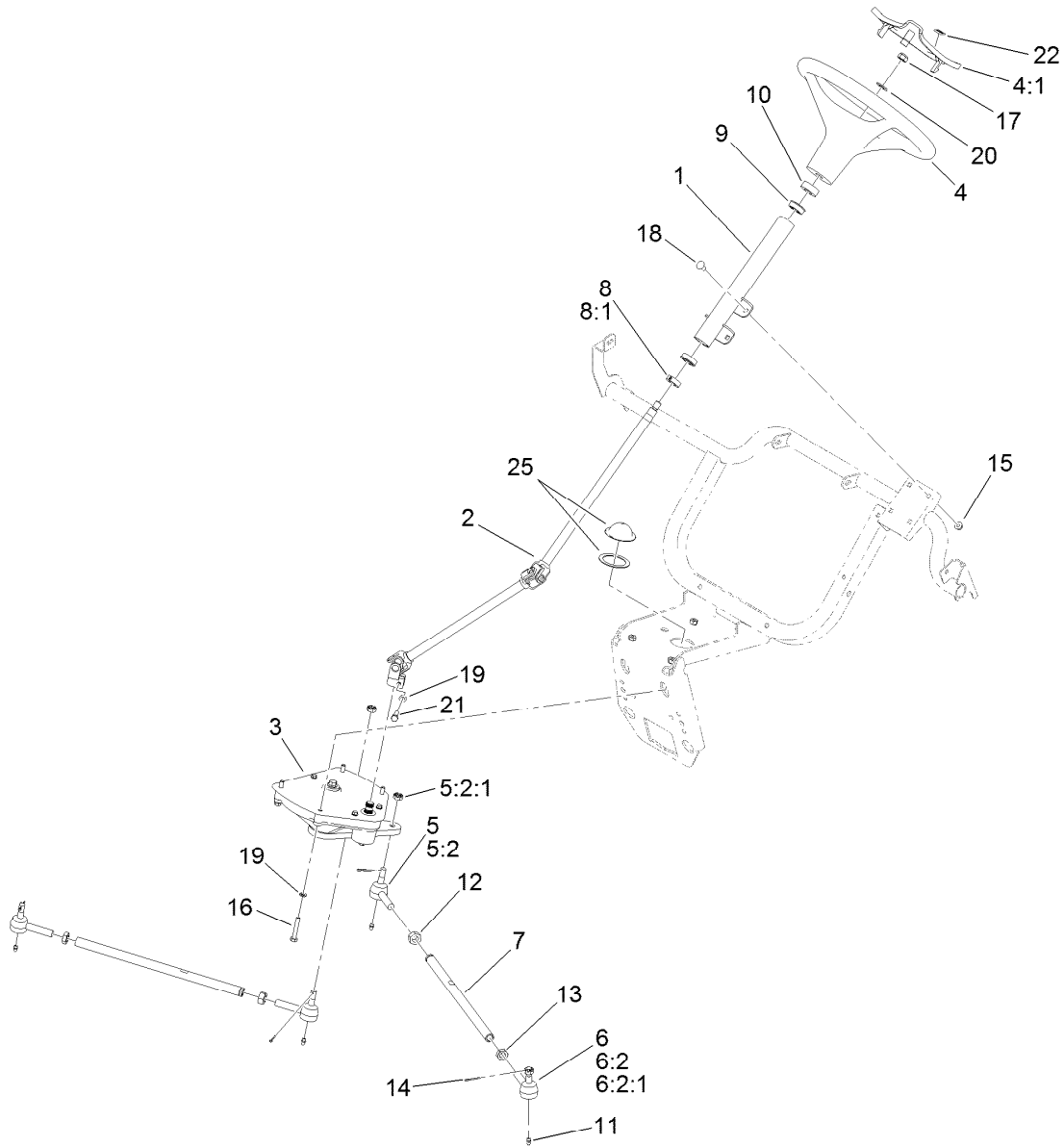
Brake Caliper Assembly No. 119-9535

<i>Ref.</i>	<i>Part Number</i>	<i>Qty.</i>	<i>Description</i>
1	119-9510	1	Pads-Brake
2	119-9511	1	Bracket Kit
3	119-9512	1	Piston Kit



Rear Brake Line Assembly

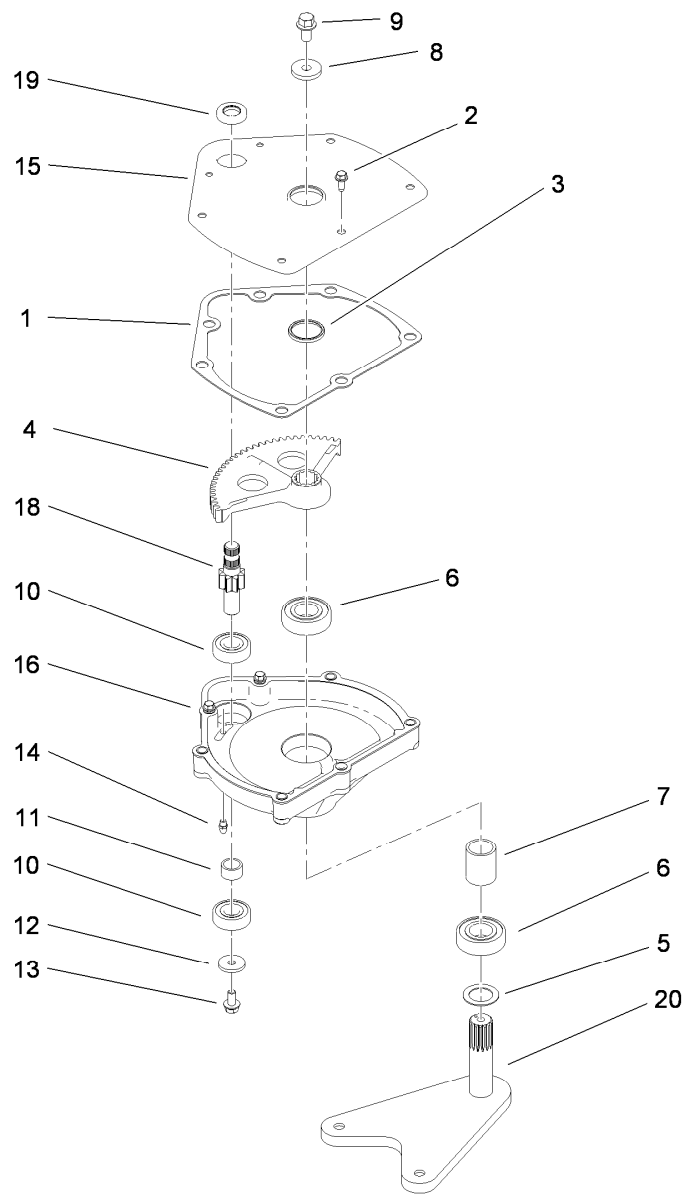
<i>Ref.</i>	<i>Part Number</i>	<i>Qty.</i>	<i>Description</i>
1	115-2409	1	Rear Brake Line ASM
2	115-2341	4	Washer-Banjo
3	115-2340	2	Bolt-Banjo
4	32104-32	1	Screw-HWH



Steering Assembly

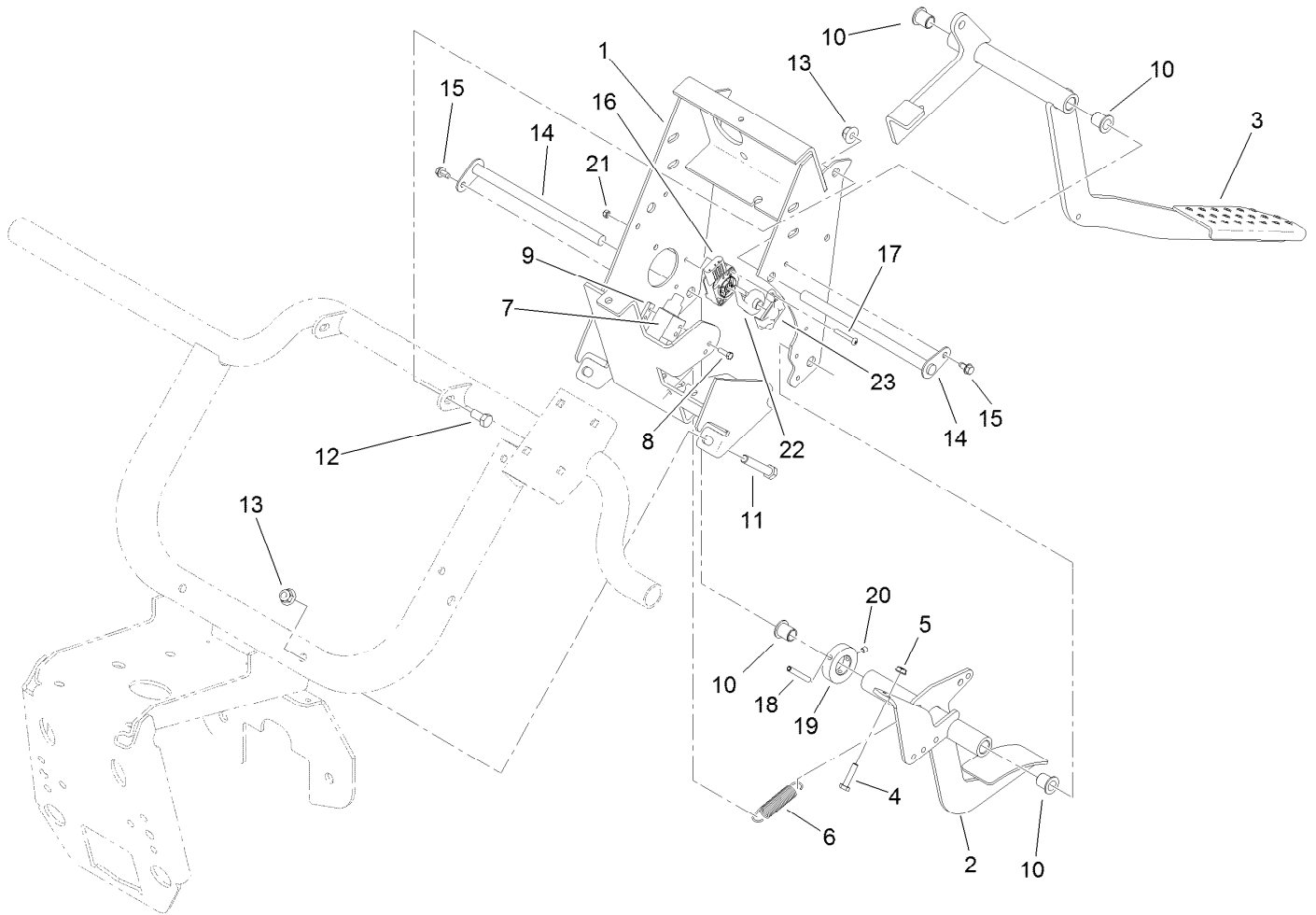
Ref.	Part Number	Qty.	Description	Ref.	Part Number	Qty.	Description
1	112-3264-03	1	Column	10	21-9260	1	Cover-Dust
2	112-3355	1	Steering Shaft ASM	11	302-5	4	Fitting-Grease
3	112-3130	1	Steering Box ASM	12	3218-21	2	Nut-Jam
4	98-1471	1	Wheel-Steering	13	3220-11	2	Nut-Jam
4:1	98-1468	1	Cover-Wheel, Steering	14	3272-7	4	Pin-Cotter
5	112771-03	2	Joint-Ball, LH	15	104-8300	4	Nut-Flange, NI
5:2		1	Socket-Balljoint ●	16	112-3305	4	Screw-HH
5:2:1	915031	1	Nut	17	119-9493	1	Nut-Lock, NI
6	112772-03	2	Joint-Ball, RH	18	3230-1	4	Bolt-CARR
6:2		1	Socket-Balljoint ●	19	3253-4	5	Washer-Lock
6:2:1	915031	1	Nut	20	3256-26	1	Washer-Flat
7	115-7654	2	Tie Rod	21	48-7730	1	Screw-Cap, HH
8	111383	1	Collar	22	98-1459	1	Decal
8:1	3245-32	1	Screw-HSH	25	120-5049	1	Steering Box Cover Kit
9	112-3262	2	Bearing				

● Not serviced separately



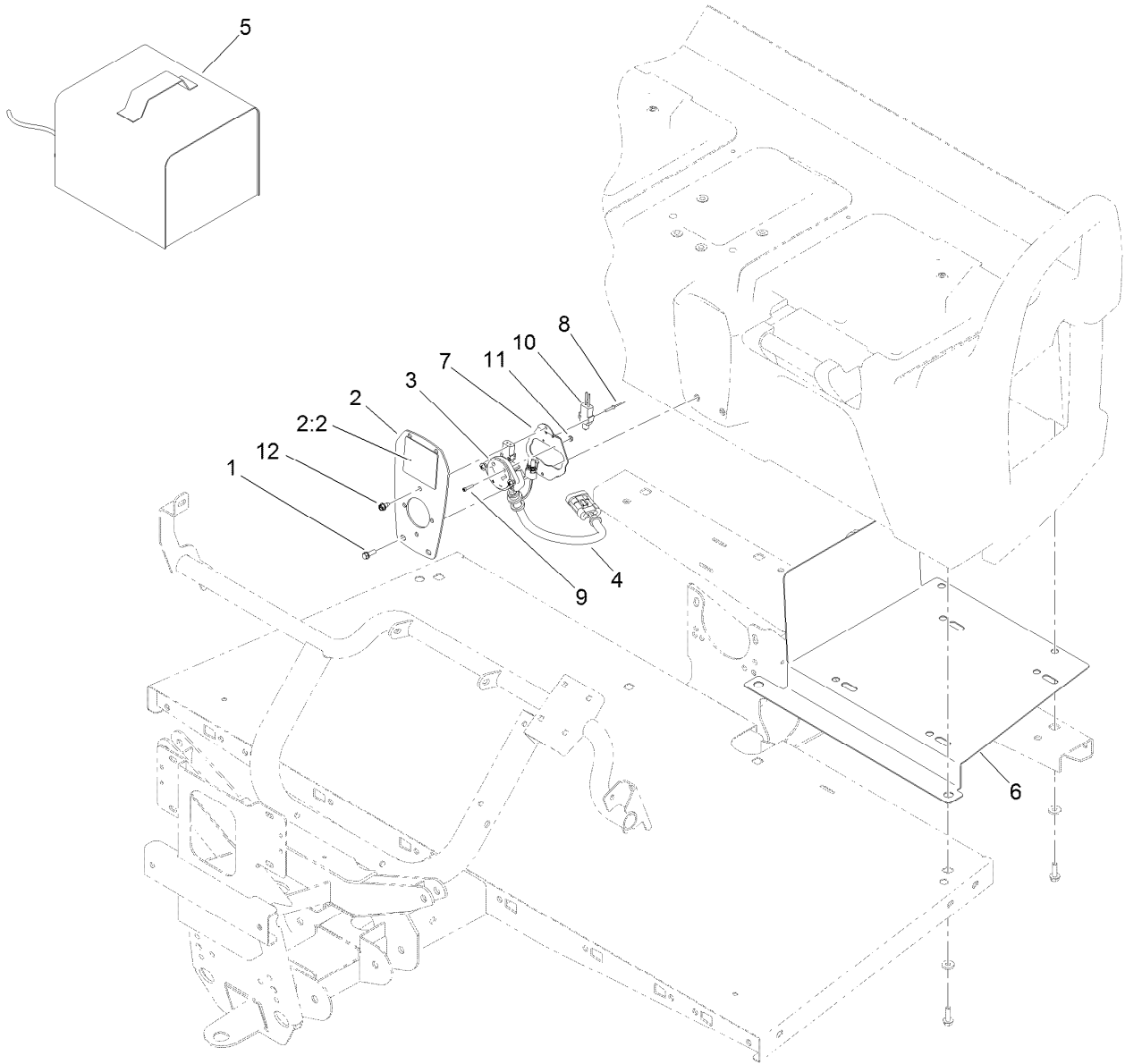
Steering Box Assembly No. 112-3130

<i>Ref.</i>	<i>Part Number</i>	<i>Qty.</i>	<i>Description</i>	<i>Ref.</i>	<i>Part Number</i>	<i>Qty.</i>	<i>Description</i>
1	94-2135	1	Gasket	11	94-2217	1	Spacer-Shaft, Input
2	32144-10	3	Screw-HWH	12	1-613235	1	Washer
3	103118	1	Seal	13	98-3498	1	Screw-HH
4	99-7843	1	Sector-Gear	14	302-5	1	Fitting-Grease
5	3256-42	1	Washer-Flat	15	112-2918-03	1	Cover-Housing, Steering
6	251-82	2	Bearing-Ball	16	114-8309	1	Housing-Steering
7	112-2917	1	Spacer	18	115-7726	1	Gear-Pinion
8	104-6563	1	Washer-Stepped	19	99-7657	1	Seal-Oil
9	104-7156	1	Screw-HHF	20	112-3096-03	1	Arm-Pitman
10	38-7820	2	Bearing-Ball				



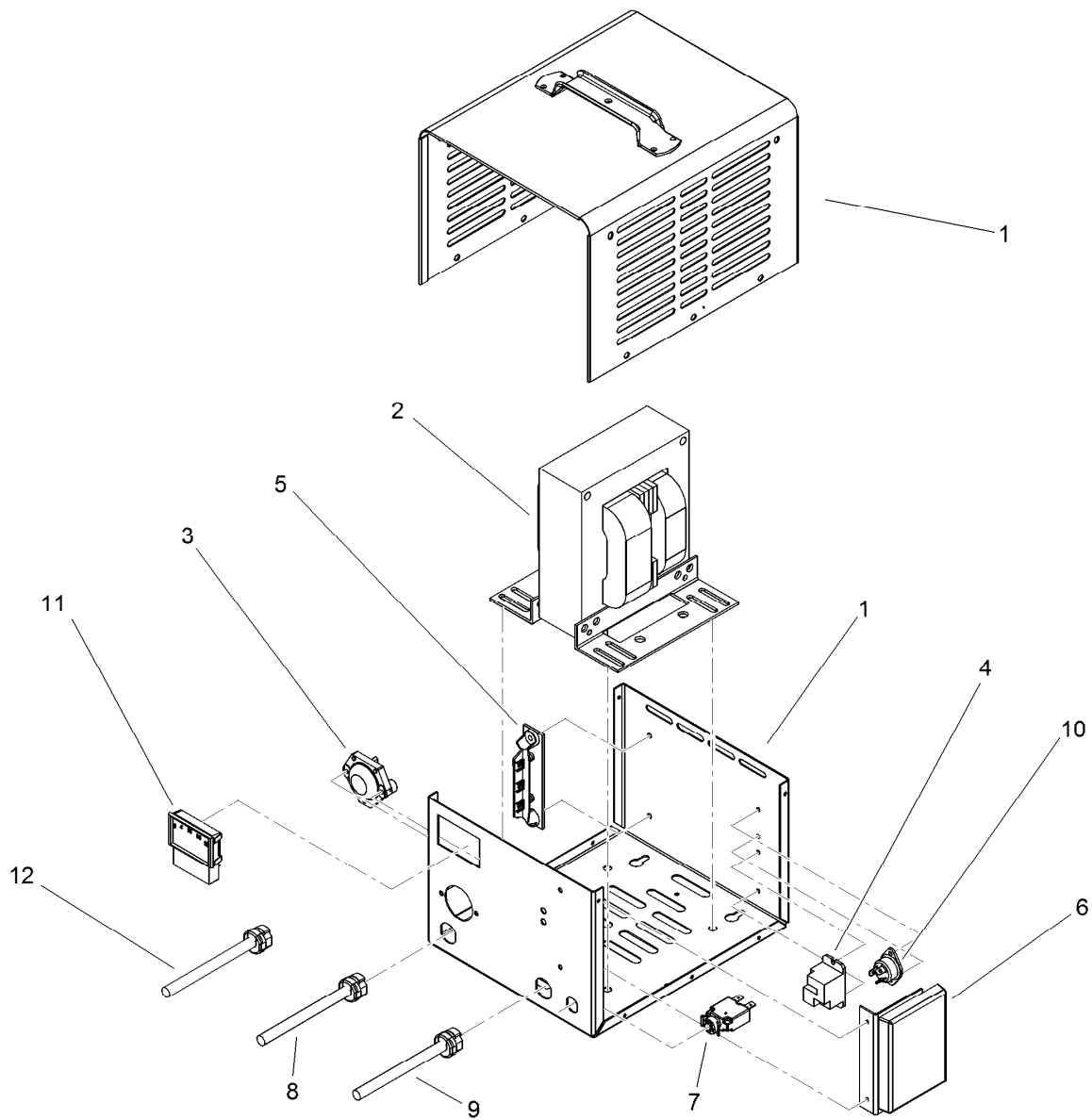
Pedal Box Assembly

<i>Ref.</i>	<i>Part Number</i>	<i>Qty.</i>	<i>Description</i>	<i>Ref.</i>	<i>Part Number</i>	<i>Qty.</i>	<i>Description</i>
1	119-0748-03	1	Support-Pedal	13	104-8301	4	Nut-Flange, NI
2	119-9747-03	1	Pedal-Throttle	14	104-7164	2	Pivot-Pedal
3	112-3314-03	1	Pedal-Brake	15	12-3270	2	Screw
4	321-7	2	Screw-HH	16	119-0737	1	Sensor-Position
5	32149-2	2	Nut-Keps	17	104-1452	2	Screw-PPH
6	104-6415	1	Spring-Return, Pedal	18	117-5071	1	Pin-Roll
7	99-7407	1	Switch	19	104-7301	1	Collar
8	3290-134	2	Screw	20	3245-32	2	Screw-HSH
9	1-633181	1	Plate-Tapped	21	3296-2	2	Nut-Lock, NI
10	256-155	4	Bushing-Flange	22	117-5059	1	Pivot-Sensor, Speed
11	323-11	2	Screw-HH	23	117-5061	1	Retainer
12	323-4	2	Screw-HH				



Charging Receptacle Assembly

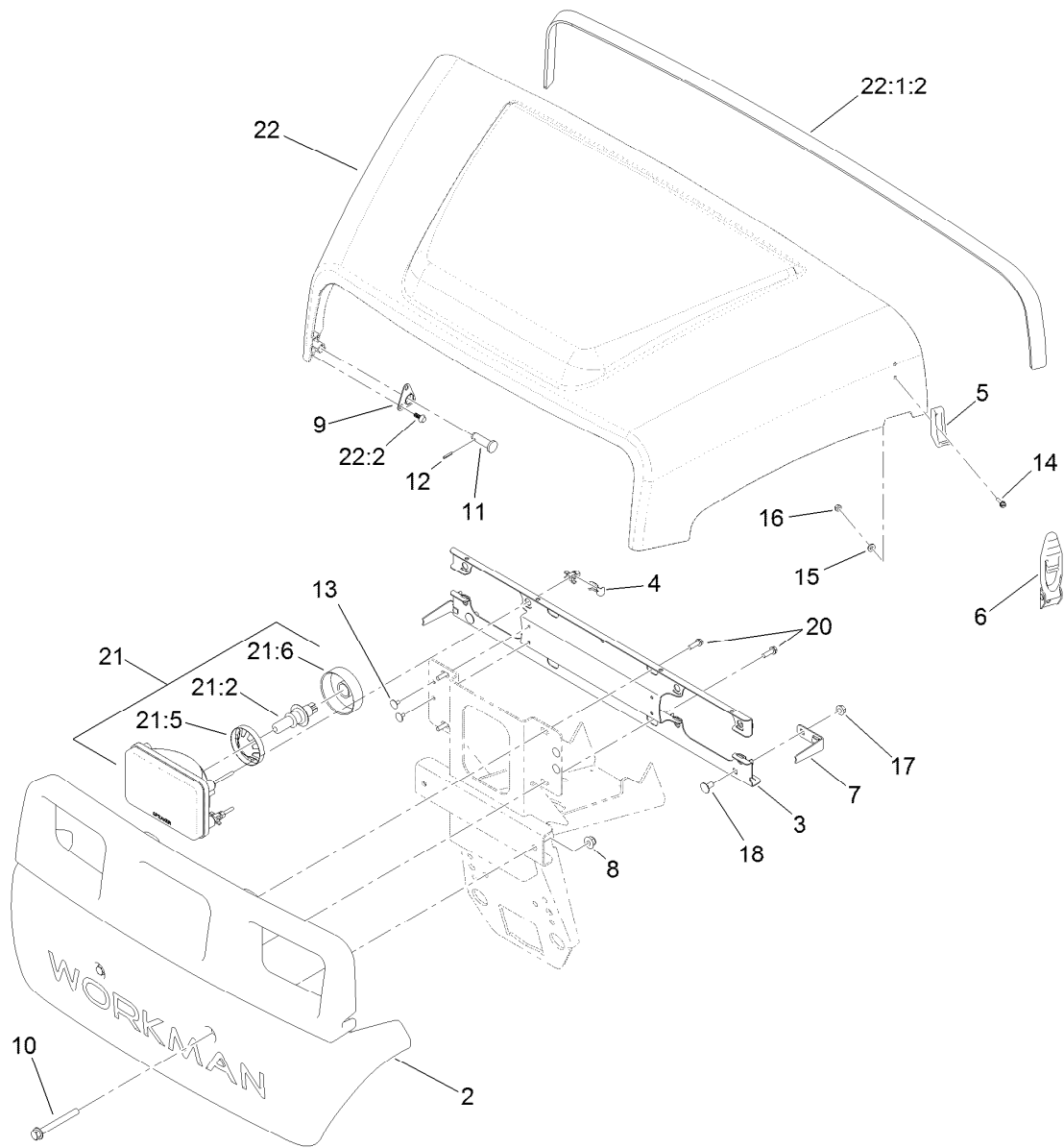
<i>Ref.</i>	<i>Part Number</i>	<i>Qty.</i>	<i>Description</i>
1	32105-15	4	Screw-HWH
2	107-0370	1	Plate-Receptacle
2:2	107-0295	1	Decal-Charger
3	107-0288	1	Receptacle-Charger
4	115-1913	1	Harness-Wire, Charger
5	112-3072	1	Charger-48V T145, Offboard
6	107-0359-03	1	Tray-Seatbase
7	107-0716	1	Bracket-Mount, Socket
8	107-0333	2	Rivet-Pop
9	107-0334	2	Screw-HSH
10	99-3410	1	Switch
11	3296-9	2	Nut-Lock
12	32104-17	4	Screw-HWH



Offboard 48 Volt Charger Assembly No. 112-3072

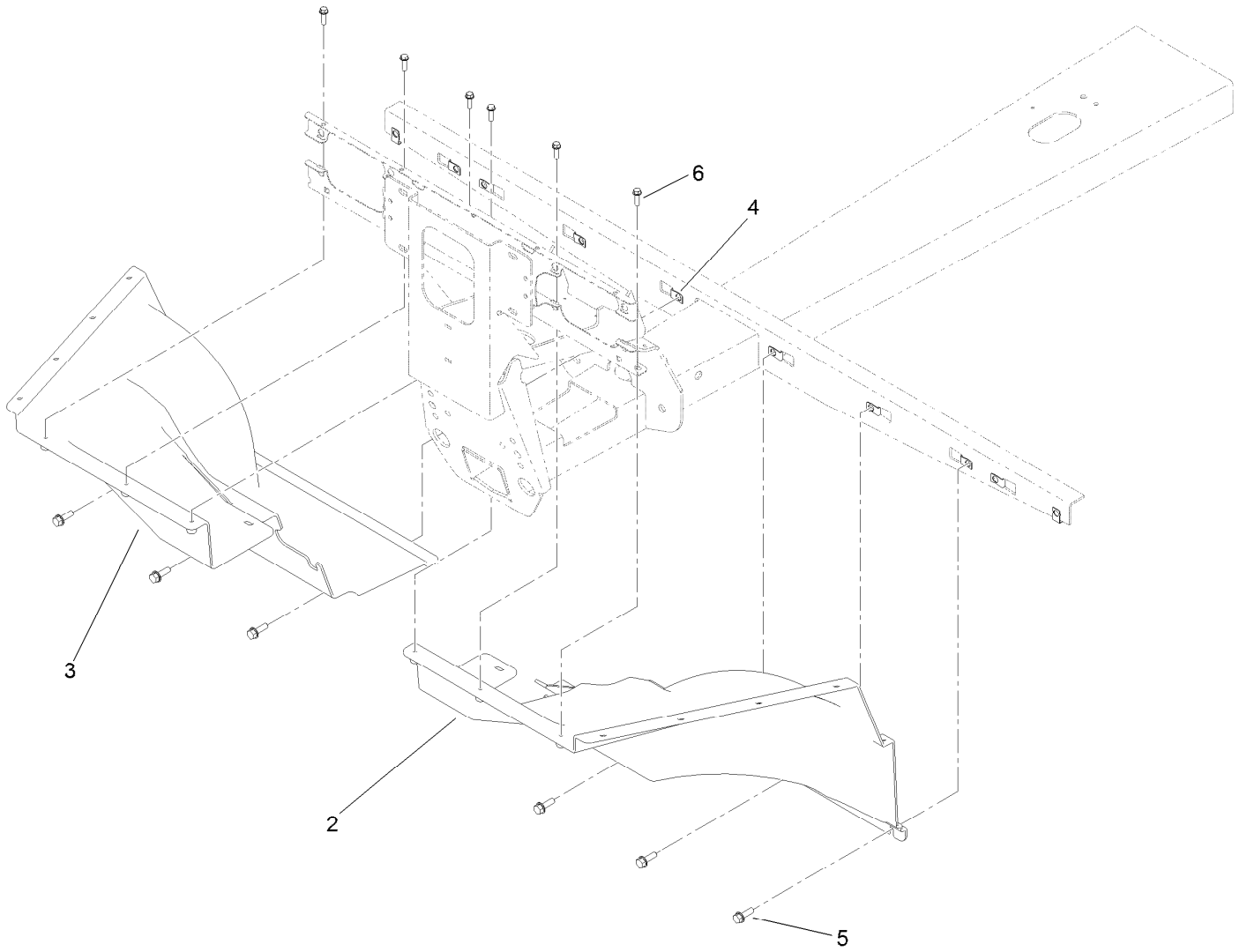
Ref.	Part Number	Qty.	Description
1		1	Case ASM ●
2		1	Transformer ASM ●
3	108-1161	1	Fuse ASM
4	108-1162	1	Relay-48V, Dc
5	108-1163	1	Diode ASM
6	112-3073	1	Control Board ASM
7	110-2579	1	Breaker-Circuit
8	108-1166	1	Kit-Cordset, 8.5 Foot (Dc)
9	108-1167	1	Kit-Cordset, 72 Inch (Ac) Us
10	108-1168	1	Terminal And Screw ASM
11	108-1169	1	Ammeter
12	108-3071	1	Kit-Cordset, 20 Foot (Dc)

● Not serviced separately



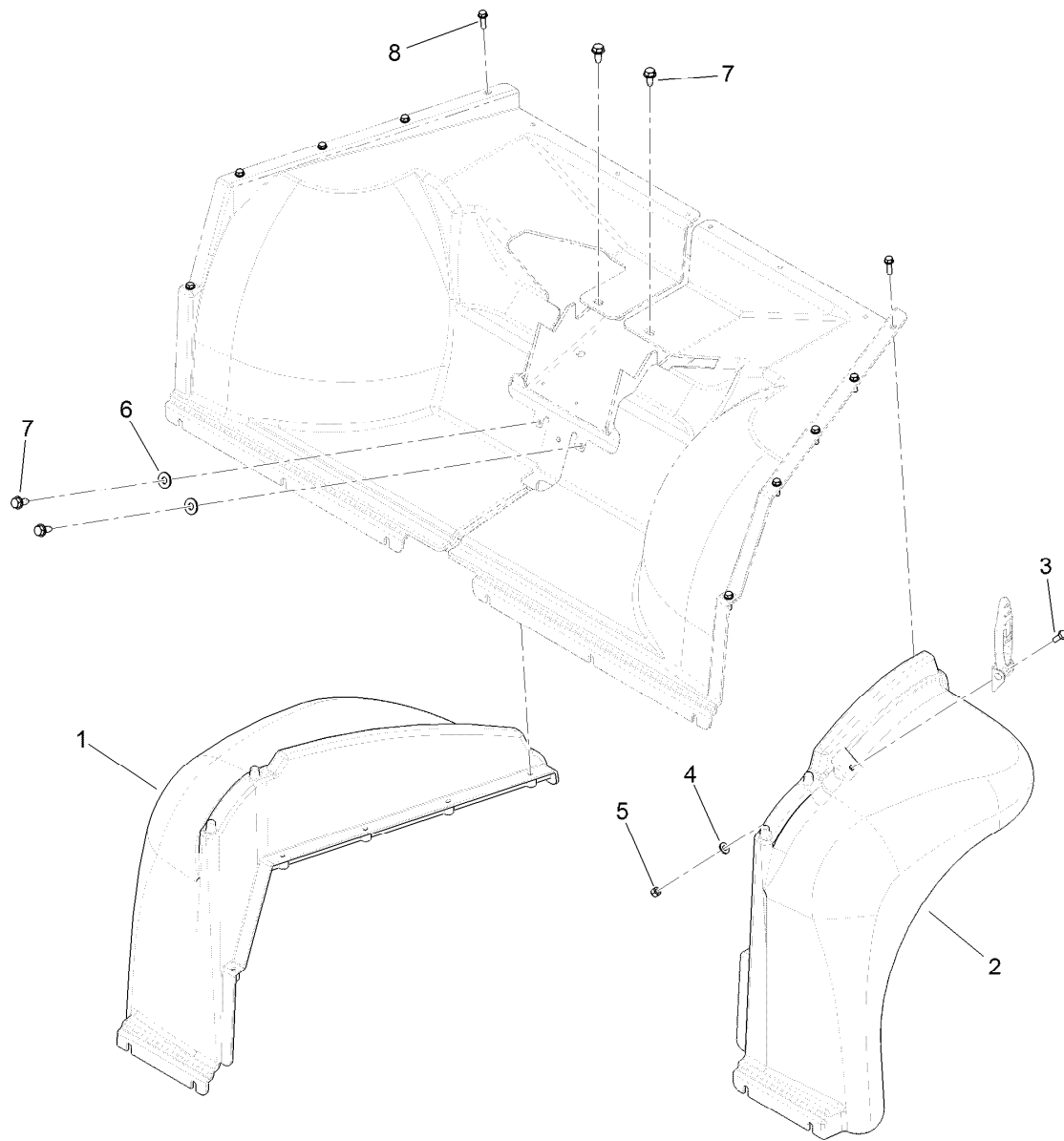
Hood and Bumper Assembly

<i>Ref.</i>	<i>Part Number</i>	<i>Qty.</i>	<i>Description</i>	<i>Ref.</i>	<i>Part Number</i>	<i>Qty.</i>	<i>Description</i>
2	112-3365	1	Bumper	15	3256-14	4	Washer-Flat
3	119-0841-03	1	Bracket-Headlight	16	3296-2	4	Nut-Lock, NI
4	115-2408	6	Clip-Speed	17	32128-20	2	Nut-HF
5	103-2897	2	Latch-Catch	18	3230-18	2	Screw-CARR
6	115-2416	2	Latch-Rubber	20	46-8091	4	Screw-HWH
7	112-3373	2	Keeper-Pivot, Hood	21	115-7617	2	Headlight ASM
8	104-8301	2	Nut-Flange, NI	21:2	115-7618	1	Bulb-24V
9	112-3308	2	Retainer-Pin	21:5	115-7667	1	Retainer-Headlamp
10	115-7660	2	Screw-HHF	21:6	115-7668	1	Boot-Headlamp
11	117-5094	2	Pin-Clevis	22	121-9606	1	Hood ASM
12	32121-50	2	Pin-Spring	22:1:2	115-7635	1	Seal-Foam
13	146489	4	Rivet	22:2	121-9605	6	Screw-HWH
14	32105-13	4	Screw-HWH				



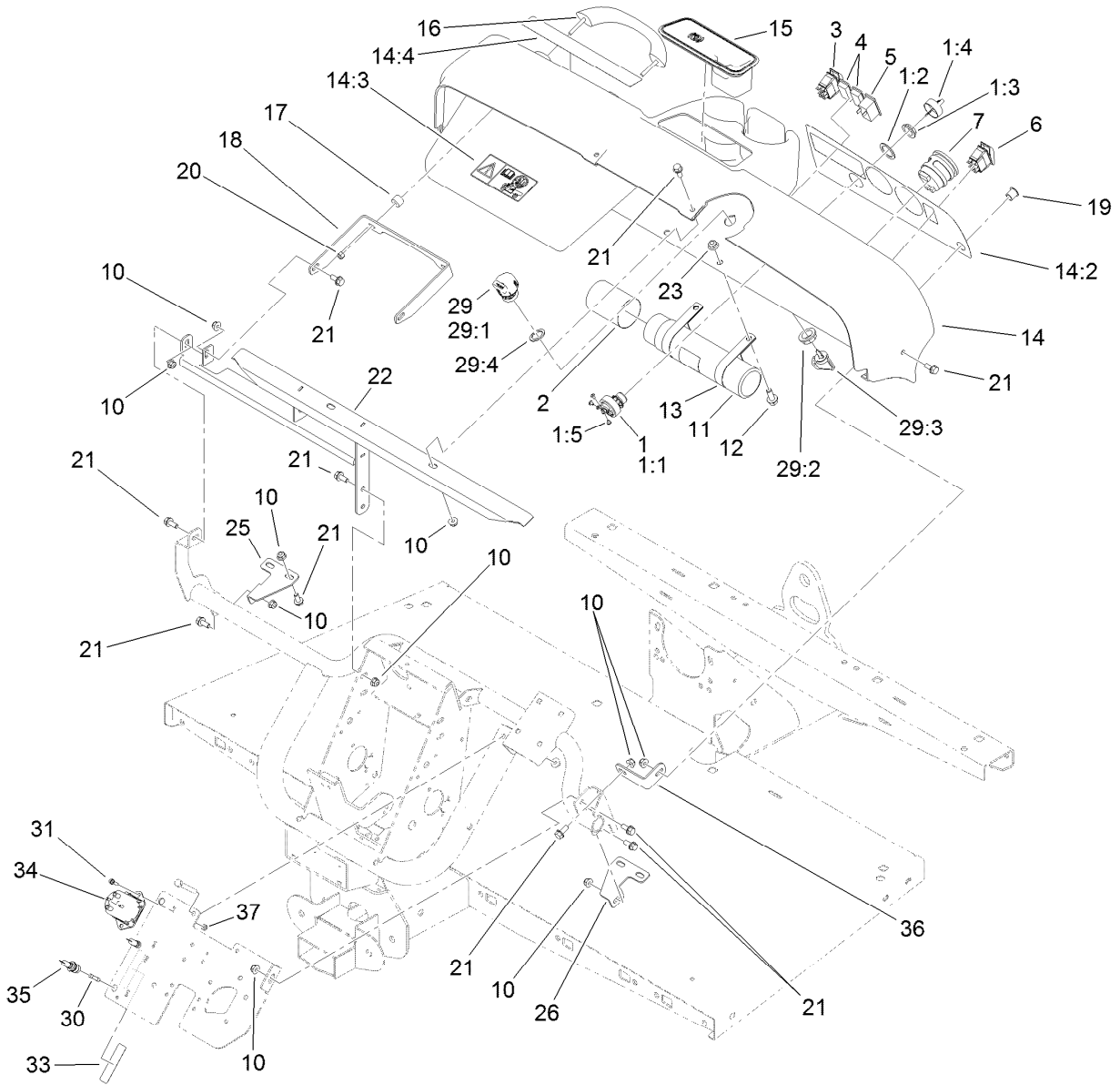
Fender Well Assembly

<i>Ref.</i>	<i>Part Number</i>	<i>Qty.</i>	<i>Description</i>
2	112-3369	1	Well-Fender, LH
3	112-3368	1	Well-Fender, RH
4	112-3306	10	Nut
5	3234-29	10	Screw-HHF
6	46-8091	6	Screw-HWH



Fender Assembly

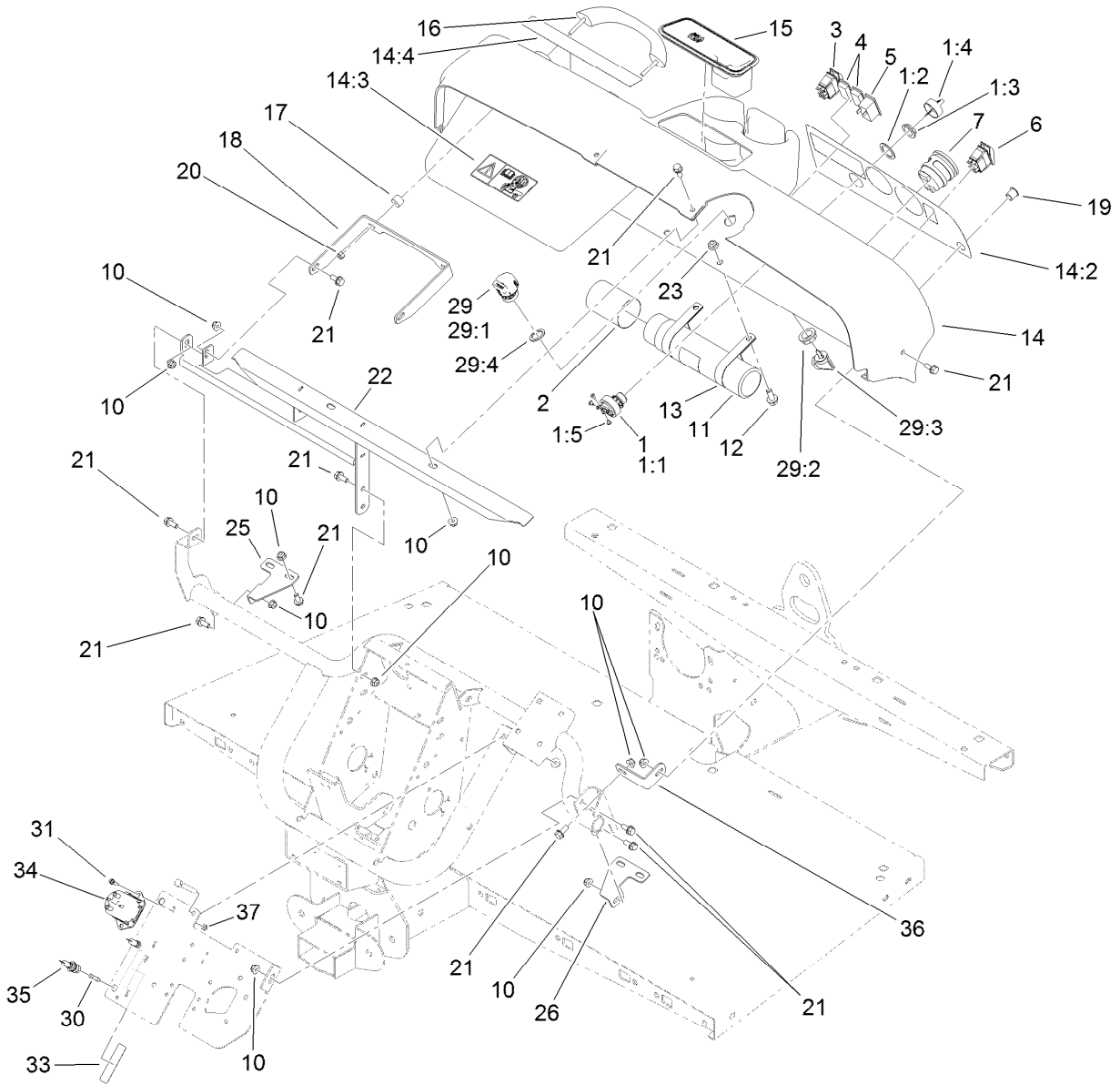
<i>Ref.</i>	<i>Part Number</i>	<i>Qty.</i>	<i>Description</i>
1	112-3371	1	Fender-LH
2	112-3370	1	Fender-RH
3	321-39	2	Screw-HH
4	3256-22	2	Washer-Flat
5	3296-42	2	Nut-Lock, NI
6	3256-71	2	Washer-Flat
7	32104-32	4	Screw-HWH
8	46-8091	10	Screw-HWH



Dash Assembly

Ref.	Part Number	Qty.	Description	Ref.	Part Number	Qty.	Description
1	120-4815	1	Switch-Key, 48V	14:2	112-3310	1	Decal-Dash, Ce
1:1		1	Switch-Key ●	14:3	104-7215	1	Decal-Danger
1:2	108-8659	1	Washer-Backup	14:4	115-2412	1	Decal-No Storage
1:3	108-8660	1	Nut-Mounting	15	104-6930	1	Plug-Rubber
1:4	106-5270	1	Ignition Key Set	16	112-3320	1	Handle-Grip
1:5	3250-28	3	Screw	17	114-8301	2	Spacer
2	104-7048	1	Cap-Housing	18	112-3391-03	1	Bracket-Grip, Handle
3	107-0255	1	Switch	19	94-5627	1	Plug
4	99-7420	2	Plug-Hole	20	104-7201	2	Nut-HF
5	104-7129	1	Light-Indicator	21	110-5053	16	Screw-HHF
6	107-0747	1	Switch-Rocker	22	115-7651-03	1	Support-Dash
7	107-0260	1	Gauge-Hour/Battery Level, 48 Volt	23	104-8301	2	Nut-Flange, NI
10	104-8300	16	Nut-Flange, NI	25	114-8304	1	Bracket-Mount, Dash (RH)
11	104-7050	1	Tube-Manual	26	114-8312	1	Bracket-Mount, Dash (LH)
12	3234-11	2	Screw-HHF	29	110-2580	1	Switch-Key, Supervisor
13	2412-133	2	R-Clamp	29:1		1	Switch-Key ●
14	114-8311	1	Dash ASM	29:2	108-8660	1	Nut-Mounting
				29:3	110-5221	1	Set-Key, Supervisor

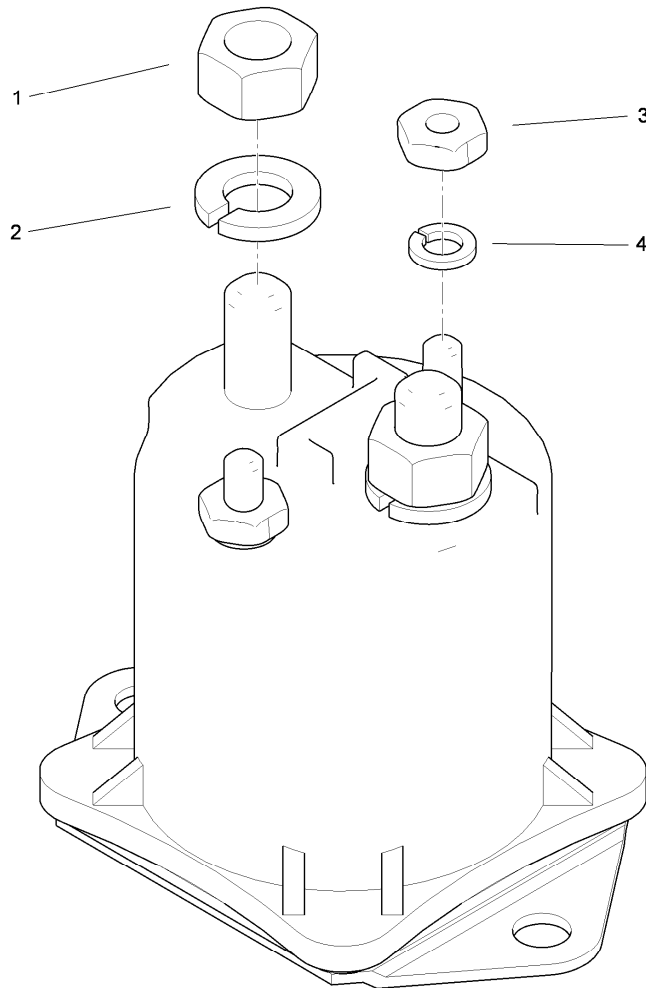
● Not serviced separately



Dash Assembly (continued)

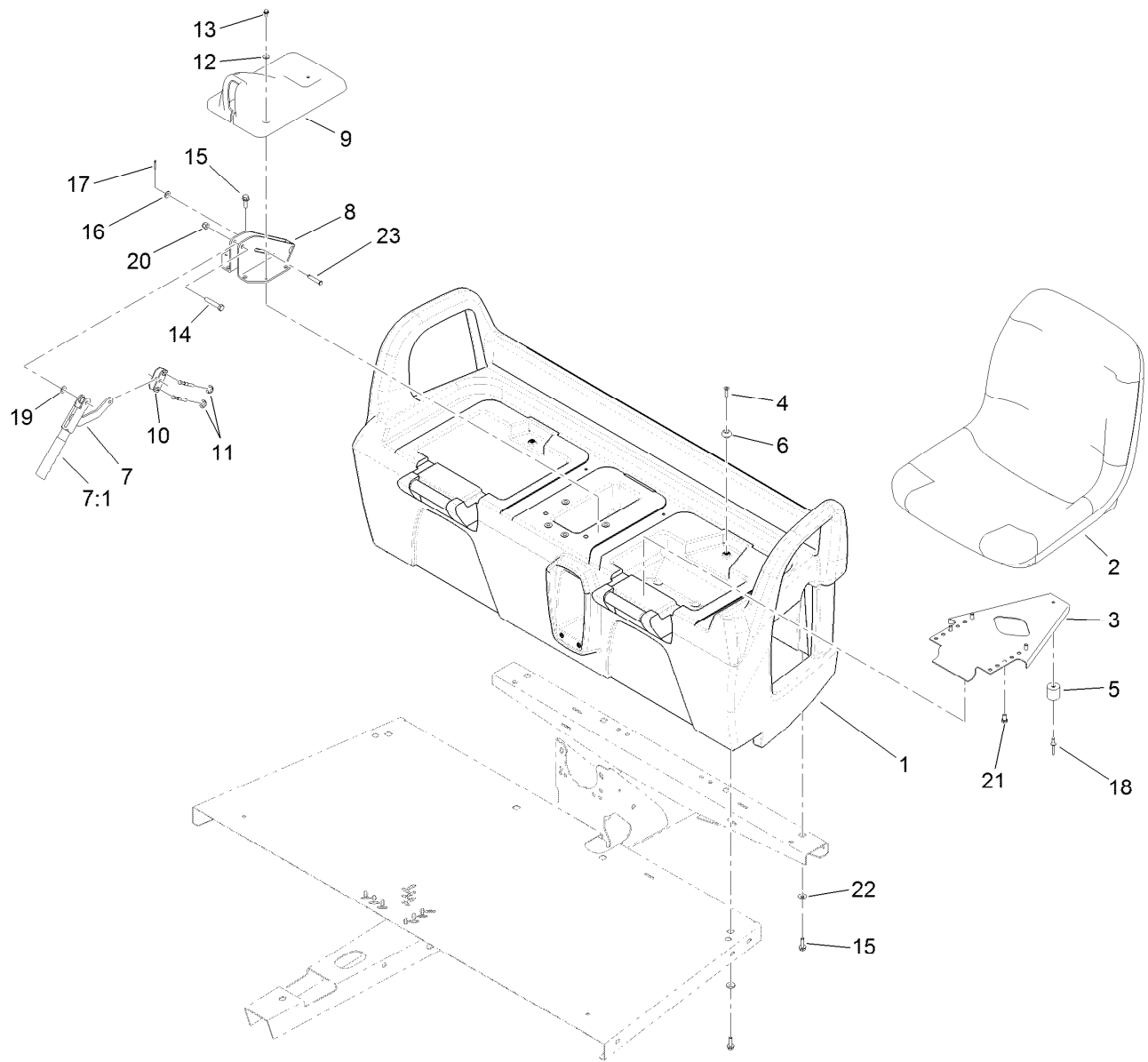
<i>Ref.</i>	<i>Part Number</i>	<i>Qty.</i>	<i>Description</i>	<i>Ref.</i>	<i>Part Number</i>	<i>Qty.</i>	<i>Description</i>
29:4	108-8659	1	Washer-Backup	34	104-7135	1	Solenoid ASM
30	98-8876	2	Fuse-10 Amp	35	218-489	2	Holder-Fuse
31	32105-13	2	Screw-HWH	36	114-8305	1	Angle-Mount, Dash (LH)
33	115-7621	1	Decal-Electrical	37	3296-2	2	Nut-Lock, NI

● Not serviced separately



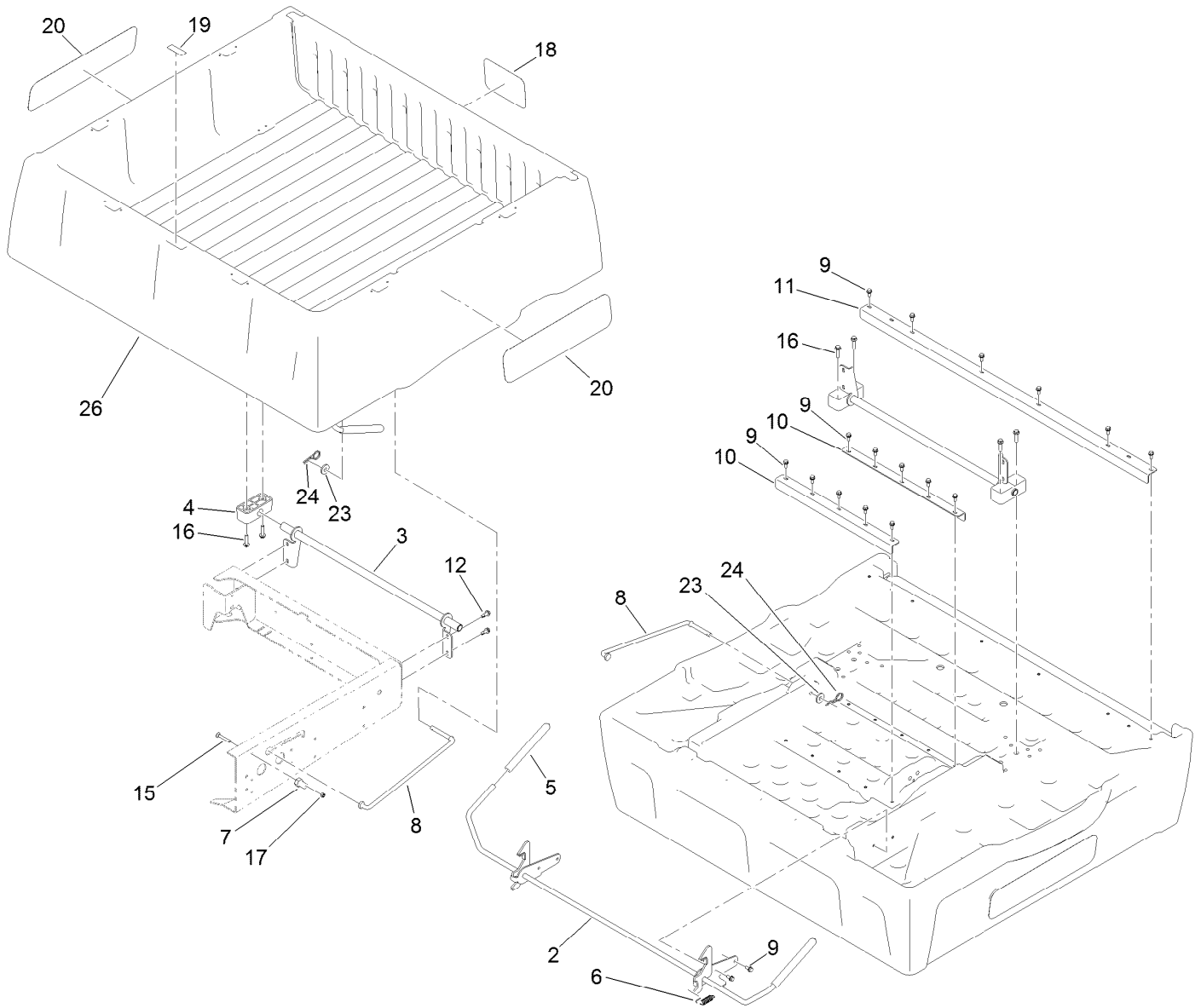
Solenoid Assembly No. 104-7135

<i>Ref.</i>	<i>Part Number</i>	<i>Qty.</i>	<i>Description</i>
1	3217-6	2	Nut-Hex
2	3253-4	2	Washer-Lock
3	3219-14	2	Nut-Hex
4	3253-17	2	Washer-Lock



Seatbase Assembly

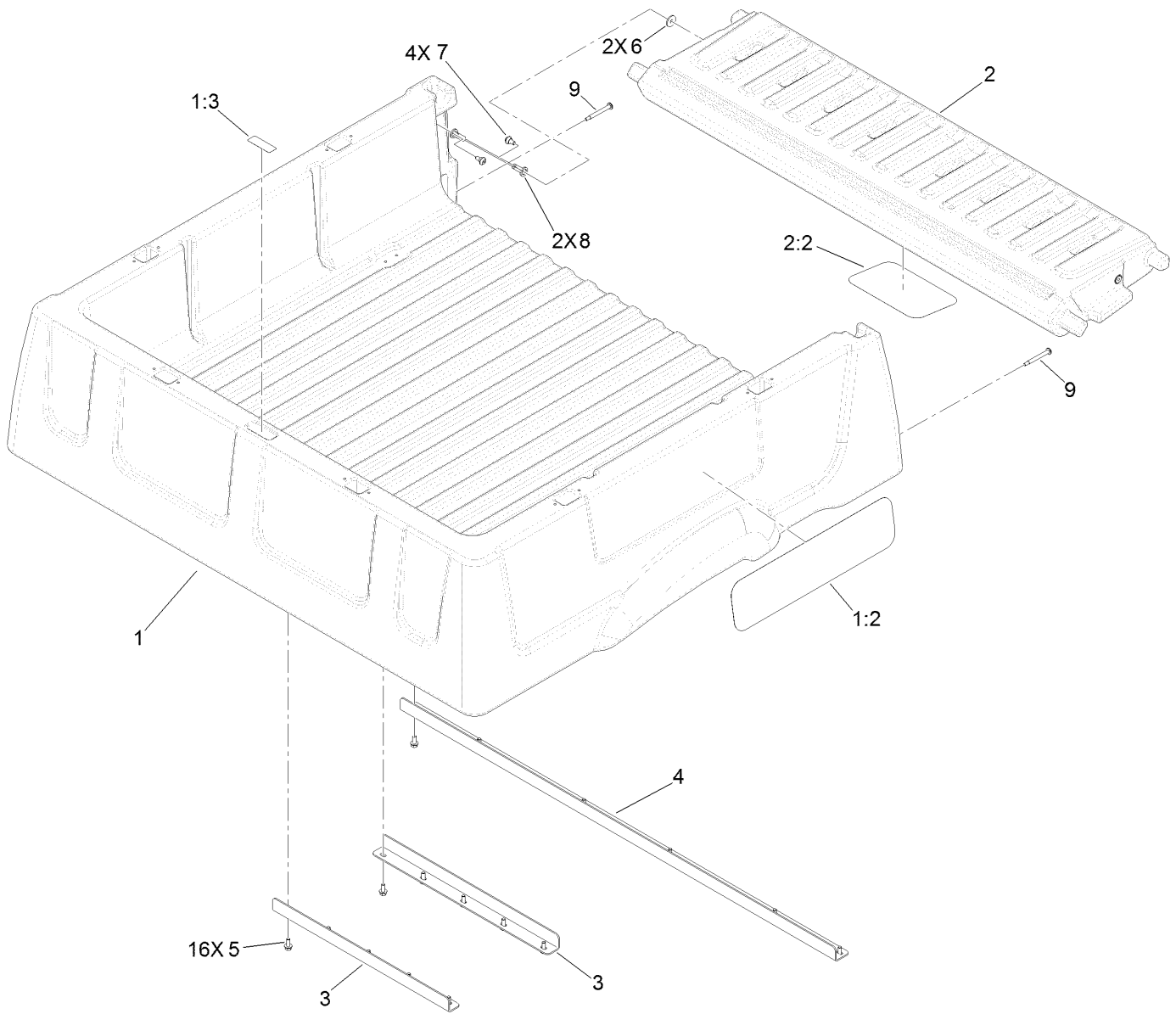
<i>Ref.</i>	<i>Part Number</i>	<i>Qty.</i>	<i>Description</i>	<i>Ref.</i>	<i>Part Number</i>	<i>Qty.</i>	<i>Description</i>
1	104-6847	1	Seat Base ASM	12	3256-1	2	Washer-Flat
2	112-2923	2	Seat ASM	13	32144-4	2	Screw-HWH
3	99-7829	2	Bracket-Seat	14	323-10	1	Screw-HH
4	32108-5	2	Screw-FH	15	3234-17	12	Screw-HHF
5	99-7830	2	Rubber Receptical ASM	16	3256-23	1	Washer-Flat
6	99-7833	2	Post-Holding	17	3272-6	1	Pin-Cotter
7	104-6842	1	Lever-Brake, Park	18	3290-412	2	Rivet
7:1	106-7972	1	Grip-Handle	19	3290-477	1	Washer-Curved
8	104-6844-03	1	Support-Brake, Park	20	3296-39	1	Nut-Lock, NI
9	104-7014	1	Cover-Brake, Parking	21	33114-016	8	Screw-HH
10	87-3480	1	Bracket-Equalizer, Cable	22	88-7200	8	Washer-Flat
11	32120-47	2	Ring-Retaining, External	23	94-3829	1	Pin-Clevis



Cargo Bed Assembly

<i>Ref.</i>	<i>Part Number</i>	<i>Qty.</i>	<i>Description</i>
2	121-6344	1	Latch ASM
3	119-0848-03	1	Bracket-Pivot
4	121-6342	2	Bushing-Pivot
5	119-9627	2	Grip-Handle
6	5-7290	2	Spring-Tension
7	104-7248	2	Pin-Latch
8	121-6316	1	Rod-Prop
9	3234-5	20	Screw-HHF
10	121-6314-03	2	Brace-Middle, Bed
11	121-6315-03	1	Brace-Rear, Bed
12	105-6245	4	Screw-Tapping

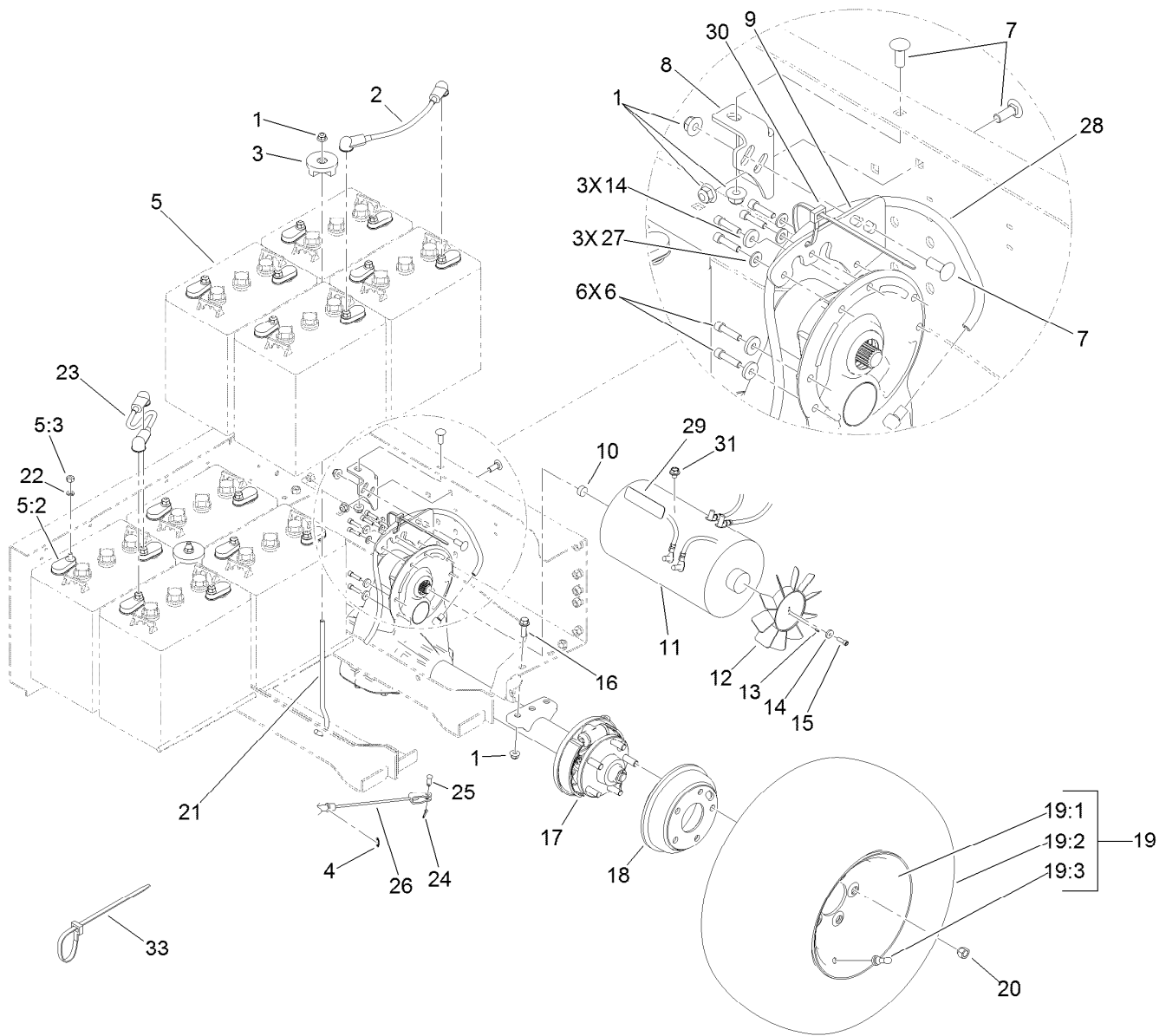
<i>Ref.</i>	<i>Part Number</i>	<i>Qty.</i>	<i>Description</i>
15	3230-7	2	Bolt-CARR
16	3234-18	4	Screw-HHF
17	3296-29	2	Nut-Lock, NI
18	104-7213	1	Decal
19	115-7739	1	Decal-No Riders
20	119-9451	2	Decal
23	110-6147	1	Washer-Flat
24	107-3155	1	Hairpin
26	127-7384	1	Complete Cargo Bed Service ASM



Cargo Bed Service Assembly No. 127-7384

Ref.	Part Number	Qty.	Description
1		1	Cargo Bed ASM ●
1:2	120-4825	2	Decal
1:3	115-7739	1	Decal-No Riders
2	127-7396	1	Tailgate ASM
2:2	104-7213	1	Decal
3	121-6314-03	2	Brace-Middle, Bed
4	121-6315-03	1	Brace-Rear, Bed
5	3234-5	16	Screw-HHF
6	115-7109	2	Washer-Flat
7	120-9471	4	Bolt-Shoulder
8	121-6343	2	Lanyard-Tailgate
9	127-7383	2	Screw-Shoulder, Bh (Torx)

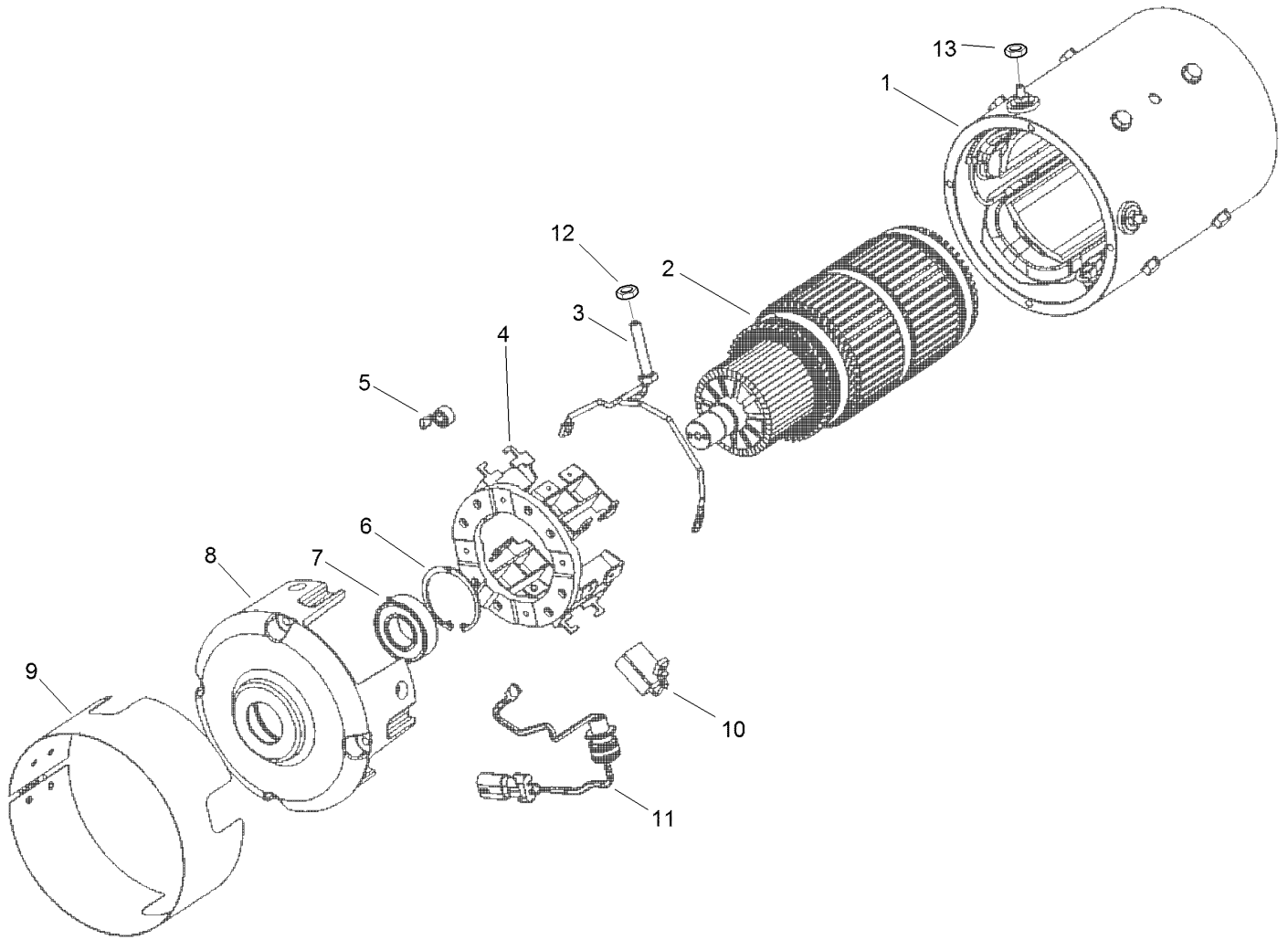
● Not serviced separately



Battery and Transaxle Assembly

Ref.	Part Number	Qty.	Description	Ref.	Part Number	Qty.	Description
1	104-8301	11	Nut-Flange, NI	18	104-6500	2	Drum-Brake
2	107-0739	1	Cable-Battery, Positive	19	120-5025	2	Tire And Wheel ASM
3	104-7149	2	Hold Down ASM	19:1	120-4974	1	Wheel
4	32120-47	2	Ring-Retaining, External	19:2	104-7289	1	Tire
5		8	Battery-Trojan T145 ●	19:3	232-27	1	Stem-Valve
5:2	107-0289	2	Cover-Terminal, Battery	20	242-50	10	Nut-Lug
5:3	107-0388	2	Nut	21	104-7339	2	Rod-Battery
6	3274-26	6	Screw-HSH	22	107-0280	16	Washer-Lock
7	3231-22	5	Screw-CARR	23	107-0738	6	Cable-Battery, Positive
8	104-7249-03	1	Bracket-Support	24	3272-10	2	Pin-Cotter
9	104-7305-03	1	Plate-Mount, Transaxle	25	283-62	2	Pin-Clevis
10	112-3399	1	Damper-Rubber	26	110-2647	2	Cable-Brake, Park
11	104-7335	1	Electric Motor ASM	27	3256-22	3	Washer-Flat
12	107-0259	1	Fan-10 Blade, Clockwise	28	110-1872	1	Hose-Fuel
13	32121-68	2	Pin-Roll	29	107-0356	1	Decal-Motor
14	73-3580	4	Washer	30	3290-379	12	Tie-Cable
15	3274-8	1	Screw-HSH	31	107-0376	1	Screw-HHF
16	3234-24	4	Screw-HHF	33	3290-378	2	Tie-Cable
17	114-8330	1	Electric Transaxle ASM				

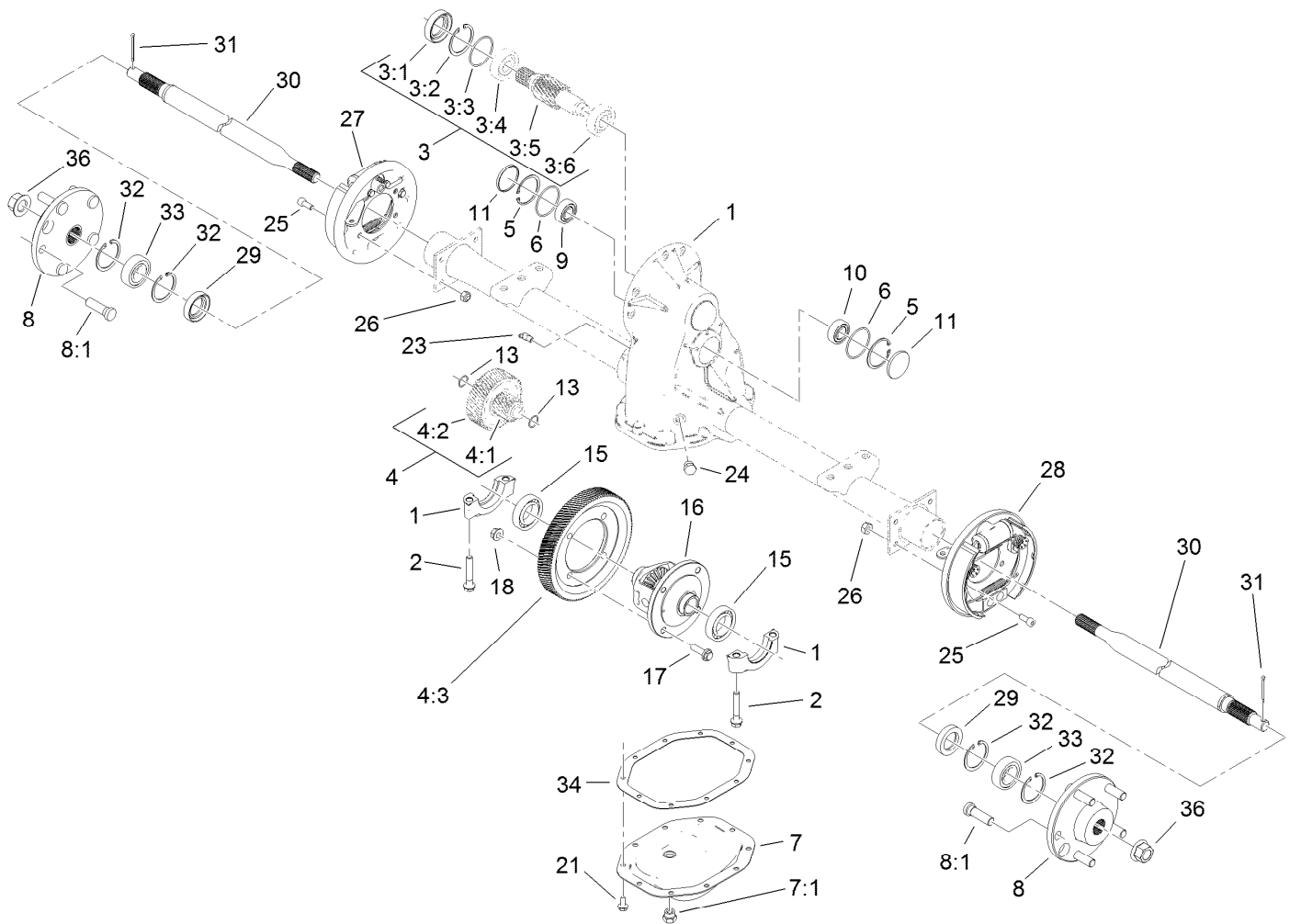
● Not serviced separately



Electric Motor Assembly No. 104-7335

Ref.	Part Number	Qty.	Description
1		1	Frame And Field ASM ●
2		1	Armature ASM ●
3	108-1151	2	Brush Lead ASM
4	108-1152	1	Brush Box ASM
5	108-1153	8	Spring-Brush
6	108-1154	1	Ring-Retaining
7	108-1155	1	Bearing
8	108-1156	1	Head-Commutator
9	108-1157	1	Headband ASM
10	108-1158	8	Brush
11	108-1159	1	Thermal Sensor ASM
12	3218-13	2	Nut-Jam, Brass
13	3218-14	2	Nut-Jam, Brass

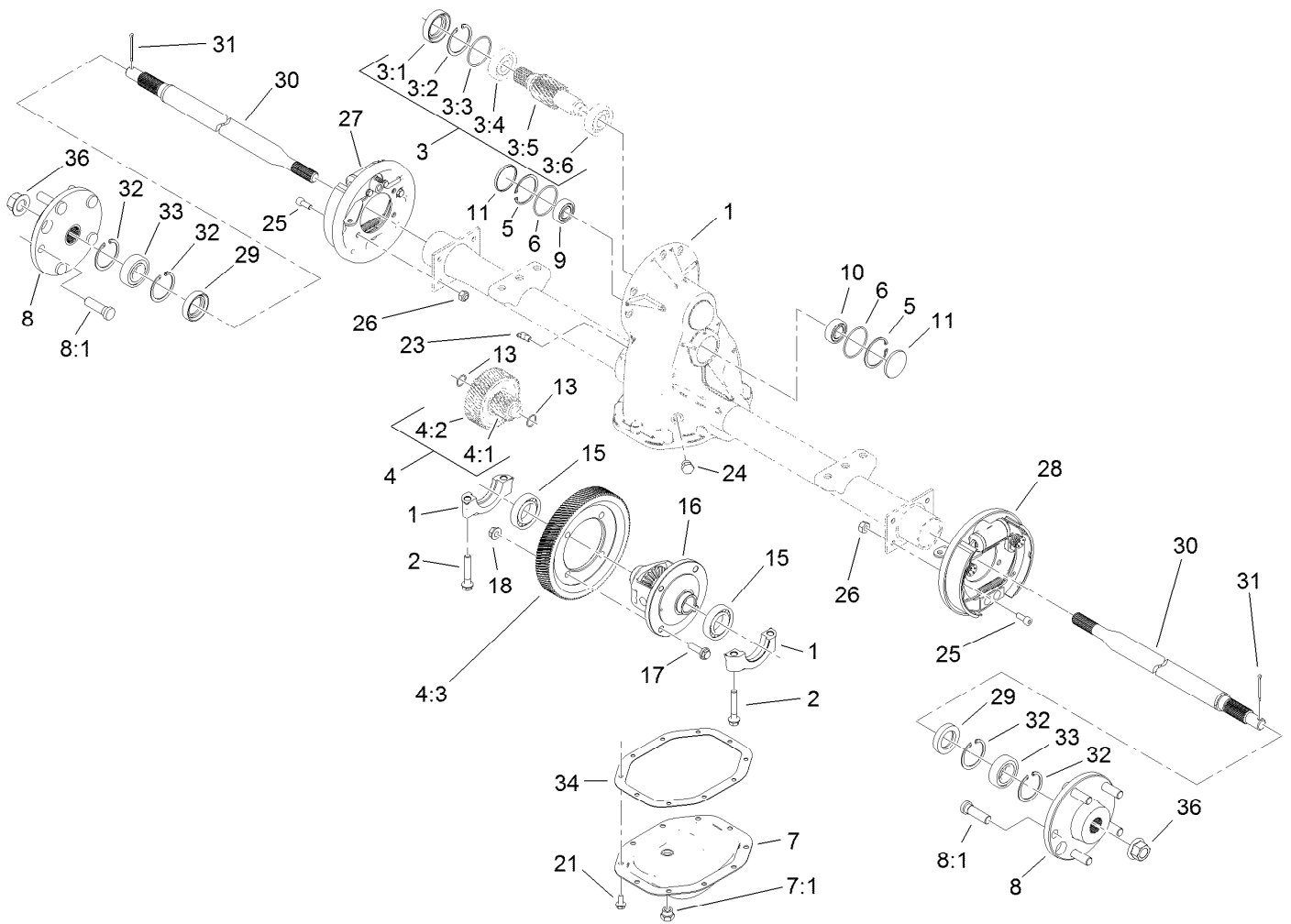
● Not serviced separately



Electric Transaxle Assembly No. 114-8330

Ref.	Part Number	Qty.	Description	Ref.	Part Number	Qty.	Description
1		1	Transaxle ASM ●	8:1	112-3137	1	Bolt-Wheel
2	108-2401	4	Bolt-Cap, Bearing	9	108-2406	1	Bearing-Ball
3	115-2185	1	Input Shaft Kit	10	108-2407	1	Bearing-Ball
3:1	108-2403	1	Seal-Oil	11	108-2408	2	Plug-Cap, End
3:2	108-2404	1	Ring-Retaining	13	108-2410	2	O-Ring
3:3	108-2405	1	O-Ring	15	108-2411	2	Bearing-Ball
3:4		1	Bearing-Ball ●	16	112-3138	1	Differential ASM
3:5		1	Shaft-Input ●	17	108-2413	4	Screw-Hex
3:6		1	Bearing-Ball ●	18	108-2414	4	Nut-Lock
4	108-2409	1	Internal Gear Kit	21	108-2427	10	Screw-Tapping
4:1		1	Shaft-Input ●	23	108-2428	1	Elbow-90 Degree
4:2		1	Gear-Intermediate ●	24	108-2429	1	Plug-HH
4:3	110-2541	1	Gear-Drive, Final	25	112-3139	8	Screw-HSH
5	108-2404	2	Ring-Retaining	26	108-2418	8	Nut-Lock
6	108-2405	2	O-Ring	27	114-8332	1	LH Brake ASM
7	108-2416	1	Cover Kit	28	114-8331	1	RH Brake ASM
7:1	108-2415	1	Plug-HH	29	112-3140	2	Seal-Oil
8	112-3136	2	Hub ASM	30	112-3141	2	Shaft-Axle

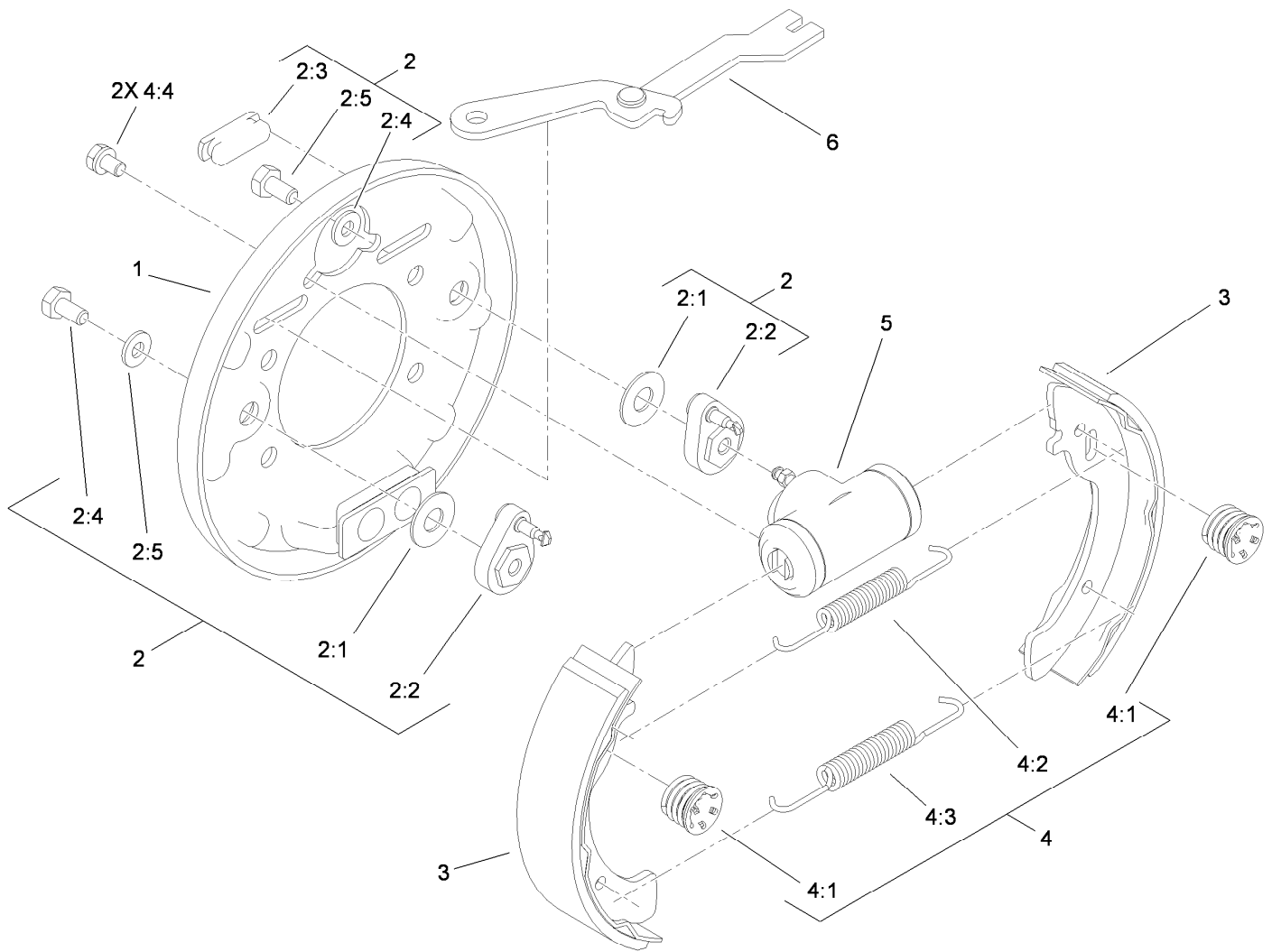
● Not serviced separately



Electric Transaxle Assembly No. 114-8330 (continued)

Ref.	Part Number	Qty.	Description	Ref.	Part Number	Qty.	Description
31	3272-12	2	Pin-Cotter	34	108-3148	1	Gasket
32	108-2424	4	Ring-Retaining	36	112-3142	2	Nut-HF
33	108-2425	2	Bearing-Ball				

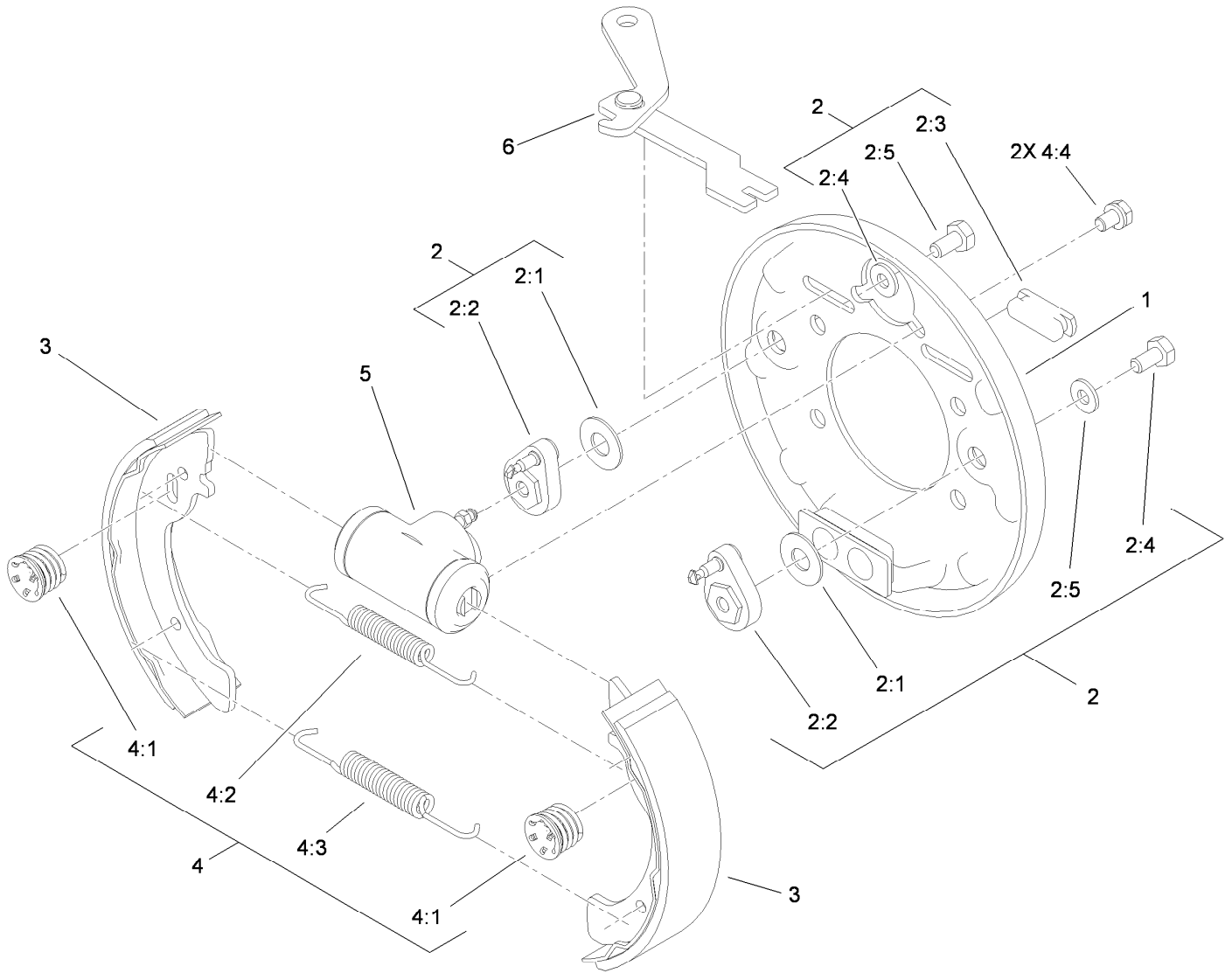
● Not serviced separately



LH Rear Brake Assembly No. 114-8332

Ref.	Part Number	Qty.	Description
1	100-8586	1	Backing Plate ASM
2	104-6820	1	Adjuster Kit
2:1	100-8585	2	Washer-Bellville
2:2	100-8588	2	Adjuster Lever ASM
2:3	100-8584	2	Cover-Dust
2:4		2	Washer ●
2:5		2	Bolt ●
3	104-6818	4	Shoe And Lining Kit
4	104-6819	1	Hardware Kit
4:1	100-8583	2	Shoe Hold Down Spring ASM
4:2	100-8581	2	Spring-Upper
4:3	100-8582	2	Spring-Lower
4:4		2	Bolt And Washer ●
5	114-8333	1	Wheel Cylinder ASM
6	104-6825	1	LH Park Brake Lever ASM

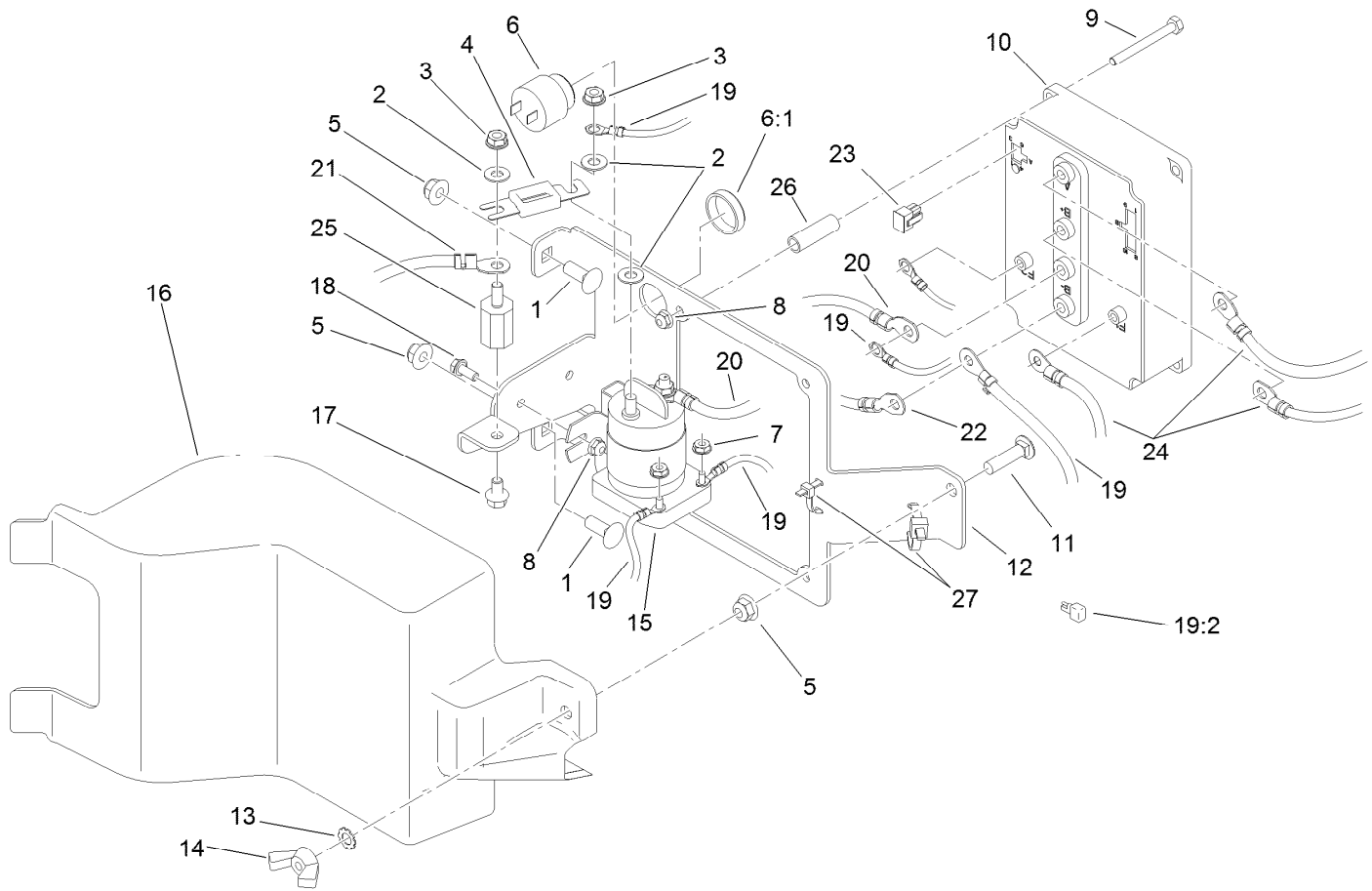
● Not serviced separately



RH Rear Brake Assembly No. 114-8331

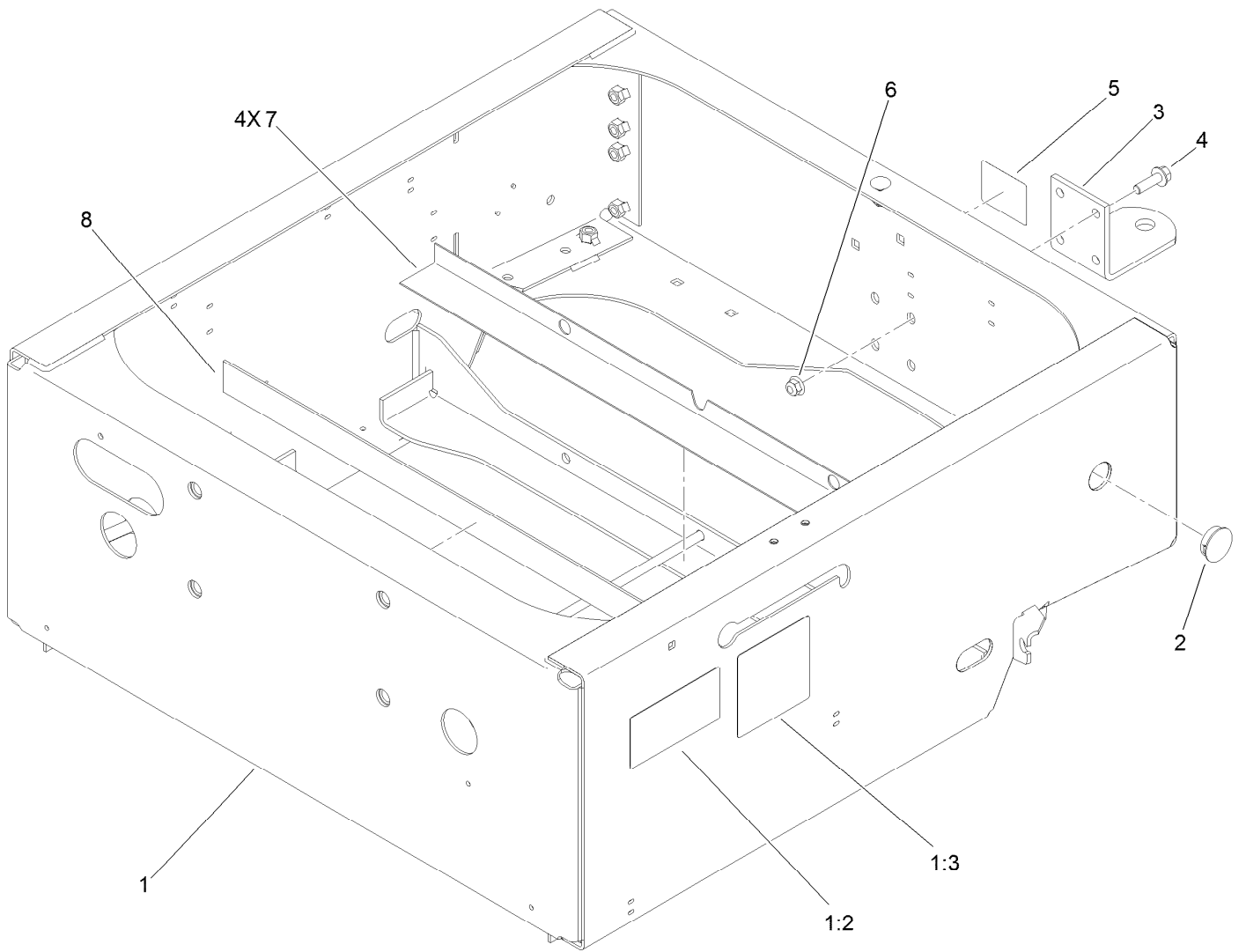
Ref.	Part Number	Qty.	Description
1	100-8586	1	Backing Plate ASM
2	104-6820	1	Adjuster Kit
2:1	100-8585	2	Washer-Bellville
2:2	100-8588	2	Adjuster Lever ASM
2:3	100-8584	2	Cover-Dust
2:4		2	Washer ●
2:5		2	Bolt ●
3	104-6818	4	Shoe And Lining Kit
4	104-6819	1	Hardware Kit
4:1	100-8583	2	Shoe Hold Down Spring ASM
4:2	100-8581	2	Spring-Upper
4:3	100-8582	2	Spring-Lower
4:4		2	Bolt And Washer ●
5	114-8333	1	Wheel Cylinder ASM
6	104-6826	1	RH Park Brake Lever ASM

● Not serviced separately



Controller Assembly

<i>Ref.</i>	<i>Part Number</i>	<i>Qty.</i>	<i>Description</i>	<i>Ref.</i>	<i>Part Number</i>	<i>Qty.</i>	<i>Description</i>
1	3231-22	2	Screw-CARR	16	104-7138	1	Cover-Controller
2	107-0394	3	Washer-Flat	17	100-1719	1	Screw-Flange
3	107-0380	3	Nut-HHF	18	3234-33	2	Screw-HHF
4	104-7320	1	Fuse	19	117-4700	1	Harness-Wire, Mid Duty Elect
5	104-8301	3	Nut-Flange, NI	19:2	100-4918	1	Diode-Over Molded
6	94-5582	1	Alarm-Audio	20	107-0740	1	Cable-Battery, Positive
6:1	104-5107	1	Nut-Plastic, Knurled	21	107-0741	1	Cable-Battery, Positive
7	32149-8	2	Nut-Keps	22	107-0742	1	Cable-Battery, Negative
8	104-7201	6	Nut-HF	23	32160-130	1	Connector
9	321-15	4	Screw-HH	24	107-0737	1	Harness-Wire, Battery Cable
10	110-2569	1	Controller-Sevcon	25	107-0286	1	Isolator
11	3231-4	1	Screw-CARR	26	107-0285	4	Spacer
12	104-7137-03	1	Mount-Controller	27	3290-379	2	Tie-Cable
13	3255-9	1	Washer-Lock				
14	32103-3	1	Nut-Wing				
15	104-7136	1	Contactora-48V				



Rear Frame Assembly

<i>Ref.</i>	<i>Part Number</i>	<i>Qty.</i>	<i>Description</i>
1	119-9631	1	Rear Frame ASM
1:2	104-7207	2	Decal-Electric
1:3	107-0257	1	Decal-Polarity
2	94-1402	1	Plug-Hole
3	99-7654-03	1	Hitch-Duty, Light
4	3234-24	4	Screw-HHF
5	99-7350	1	Decal-Rating, Hitch (Light Duty)
6	104-8301	4	Nut-Flange, NI
7	107-0267	4	Isolator-Battery
8	107-0252	1	Pad-Battery

Attachments and Accessories

For 07299 Workman MDE Utility Vehicle

Product Name	Model/Part
Roll-Over Protection System	07276
Receiver Hitch Kit	07278
12V Power Plug Adapter Kit	07318
Canopy Kit	07324
Solid Windshield Kit	07325
Folding Windshield Kit	07326
Snow Plow	07327
Hard Cab	07328
Heavy-Duty Bumper Kit	07329
Heavy-Duty Brush Guard and Bumper Kit	07338
Sliding Window Door Kit	07352
Fixed Window Door Kit	07353
Electric Bed Lift Kit, 2011 and After Workman MDE Utility Vehicle.....	07382
Wheel-5 Bolt	104-6889
Tire-AT 489, 24x10.5-10	104-7061
Tire-AT 489, 22x9.5-10	104-7062
20 foot Cordset Kit (DC).....	108-3071
48V Battery Charger	115-7785
Horn Kit.....	115-7827
Replacement Front Spring Kit.....	117-4847
Accessory Installation Kit, Espar Heater Kit for Workman MDE Utility Vehicle	117-4968
Potentiometer Kit	117-5085
Cord-AC (US/CANADA)	119-0661
Tire And Wheel Asm	119-0751
Tapered Nozzle Kit, Pro Force Debris Blower	119-6280
Rectangular Nozzle Kit, Pro Force Debris Blower	119-6281
Nozzle-Extension, Straight	119-6282
Nozzle-Extension, Tapered.....	119-6283
Nozzle-Extension, Rectangular	119-6284
Side Mirror Kit	119-9546
Stake Pocket Adapter Kit, 2011 and After Workman MD Series Utility Vehicle.....	119-9604
Tie-Down Kit, 2011 and After Workman MD Series Utility Vehicle	119-9605
Bed Retrofit Kit, 2010 and Before Workman MD Series Utility Vehicle.....	119-9606
Road Light and Homologation Kit	120-5031
Brake and Signal Light Kit.....	120-5044
Pro Force Debris Blower.....	44538
Road-Ready Pro Force Debris Blower.....	44539
Bed Mount Kit, Pro Force Debris Blower.....	44543
Bed Mount Sound Barrier Kit, Pro Force Debris Blower	44546

Notes:

Notes:

Notes:



Count on it.