



Count on it.

Parts Catalog

Reelmaster® 5200-D

2-Wheel Drive

Model No. 03540—Serial No. 240000001 and Up



Ordering Replacement Parts

To order replacement parts, please supply the part number, the quantity, and the description of each part desired.

Understanding Reference Numbers

Each identified part in an illustration has a reference number. The reference number for a part also appears in the parts list, along with other information about the part.

This catalog uses two special reference number formats, one to indicate parts in a service assembly and another to indicate the quantity of a given part in an illustration.

Service Assembly Reference Numbers

Parts in service assemblies have reference numbers in the form a:b. The a represents the reference number of the entire service assembly and the b represents a sequential number unique to each part within the service assembly.

For example, a wheel assembly might be identified by reference number 6, the tire by 6:1, the valve by 6:2, and the wheel by 6:3. When you order the assembly identified by reference number 6, you receive all parts identified by reference numbers 6:1, 6:2, and 6:3. However, you may also order any part individually. Reference numbers of this type appear in illustration and in parts lists.

Reference Numbers Indicating Quantity

In an illustration, if a reference number indicates more than one part, the reference number has the form nX y. The n represents the quantity of the part, the X is the multiplication symbol, and the y represents the reference number.

For example, in an illustration, the reference number 2X 37 means that two of the parts identified by reference number 37 are indicated.

List of Abbreviations

AR: as required

ASM: assembly

BBC: blade brake control

BHTF: button head thread forming

CARR: carriage

CCW: counter clockwise

CW: clockwise

DEG: degrees

DPA: Dual Point Adjustment

ECM: electronic control module

EXT: external

FH: flat head

GA: gauge

HD: heavy-duty

HF: hex flange

HH: hex head

HHF: hex head flange

HHFTF: hex head flange thread forming

HJ: hex jam

HLH: hex lag head

HOC: height-of-cut

HP: high pressure

HSBH: hex socket button head

HSFH: hex socket flat head

HSH: hex socket head

HWH: hex washer head

HWHTF: hex washer head thread forming

HYD: hydraulic

LH: left hand

LP: low pressure

LPG: Liquefied Petroleum Gas

NI: nylon insert

NPTF: national pipe thread fine

PFH: phillips flat head

PPH: phillips pan head

PPHTF: phillips pan head thread forming

PRH: phillips round head

PTH: phillips truss head

PTO: power-take-off

RH: right hand

ROPS: roll-over protection system

RRB: rear roller brush

SFH: slotted fillister head

SHH: slotted hex head

SHWH: slotted hex washer head

SPH: slotted pan head

SQH: square head

SRH: slotted round head

STD: standard

TAP: self tapping

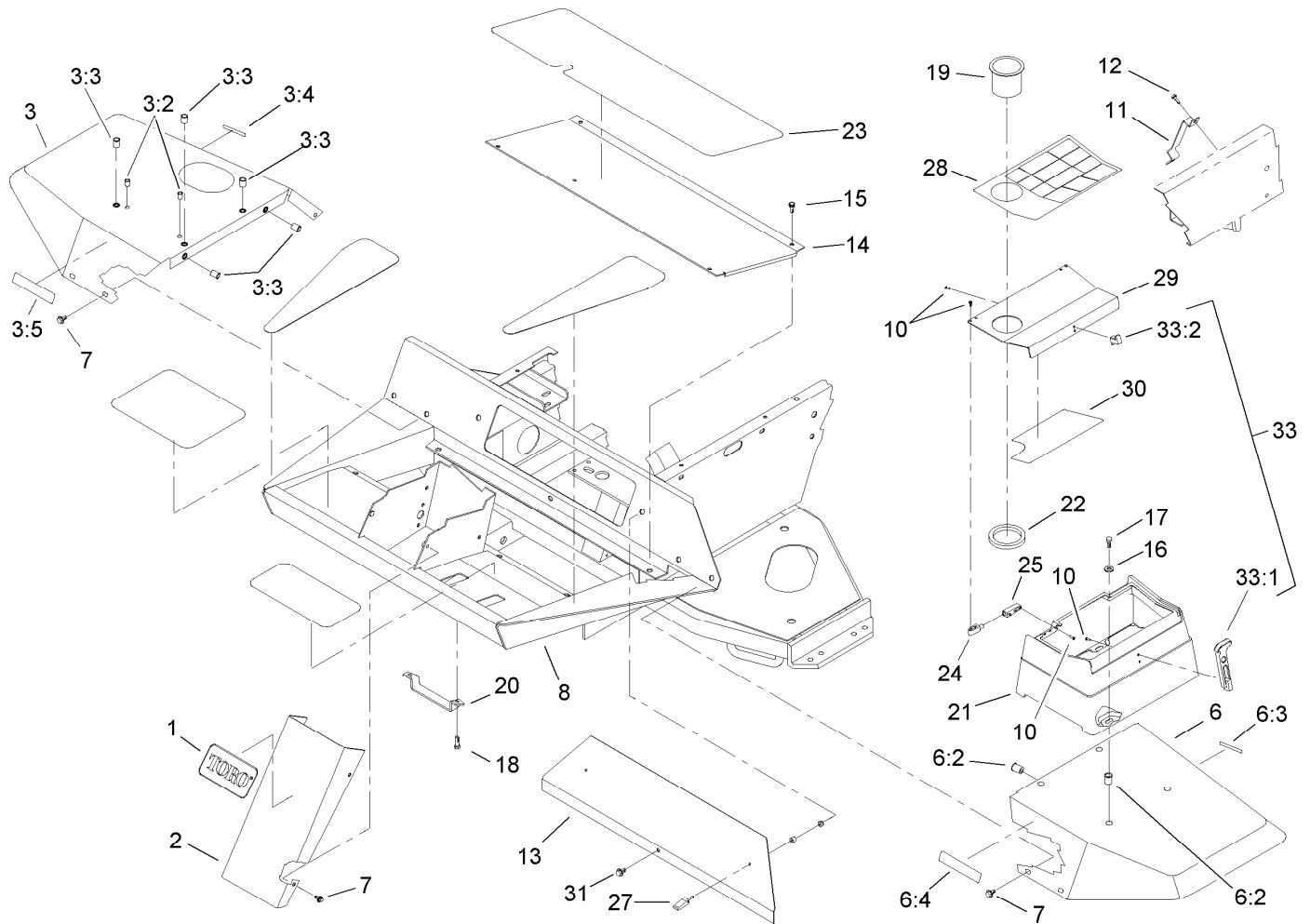
TTH: torx truss head

Contents

| | |
|--|----|
| Frame and Body Assembly | 5 |
| Frame Assembly No. 107-1840 | 6 |
| Steering Tower Assembly | 7 |
| Power Steering Unit No. 75-0600 | 8 |
| Traction and Brake Pedal Assembly | 9 |
| Seat Frame and Throttle Assembly | 10 |
| Seat and Suspension Assembly | 11 |
| Seat Suspension Assembly No. 76-1970 | 12 |
| Suspension Assembly No. 106-8085 | 13 |
| Control Console Assembly | 14 |
| Hydraulic Filter and Reservoir Assembly | 16 |
| Fuel Tank Assembly | 17 |
| Front Axle Assembly | 18 |
| Drive Axle Assembly No. 108-0640-03 | 19 |
| Brake Assembly | 21 |
| Transmission Assembly | 22 |
| Transmission Assembly No. 75-0012 | 23 |
| Traction Control Assembly | 24 |
| Gear Pump Installation Assembly | 25 |
| Gear Pump Assembly No. 98-9796 | 26 |
| Engine Installation Assembly | 27 |
| Muffler and Pump Drive Assembly | 28 |
| Engine Component Assembly | 29 |
| Air Cleaner Assembly No. 98-4517 | 30 |
| Water and Fuel Filter Assembly No. 98-9305 | 31 |
| Fan Drive Assembly | 32 |
| Radiator Assembly | 33 |
| Oil Cooler and Radiator Assembly | 34 |
| Hood Assembly | 35 |
| Hydraulic Control Block and Hoses Assembly | 36 |
| Hydraulic Manifold Assembly No. 98-4579 | 37 |
| Front Hydraulic Manifold Assembly | 38 |
| Rear Hydraulic Manifold Assembly | 39 |
| Reel Motor Assembly | 40 |
| Hydraulic Motor Assembly No. 100-6426 | 41 |
| Front Lift Circuit Assembly | 42 |
| Hydraulic Cylinder Assembly No. 93-9310 | 43 |
| Hydraulic Cylinder Assembly No. 99-6986 | 44 |
| Front Lift Arm Assembly | 45 |
| Rear Lift Circuit Assembly | 46 |
| Hydraulic Cylinder Assembly No. 93-9311 | 47 |
| Rear Lift Arm Assembly | 48 |
| Rear Axle Support Assembly | 49 |
| 2 Wheel Drive Axle Assembly | 50 |
| Rear Axle Assembly | 51 |
| Hydraulic Steering Cylinder Assembly No. 75-1200 | 52 |
| Crankcase Assembly | 53 |
| Oil Pan Assembly | 54 |
| Cylinder Head Assembly | 55 |
| Gear Case Assembly | 56 |
| Head Cover Assembly | 57 |
| Dipstick and Guide Assembly | 58 |
| Main Bearing Case Assembly | 59 |
| Camshaft And Idle Gear Shaft Assembly | 60 |

Contents (continued)

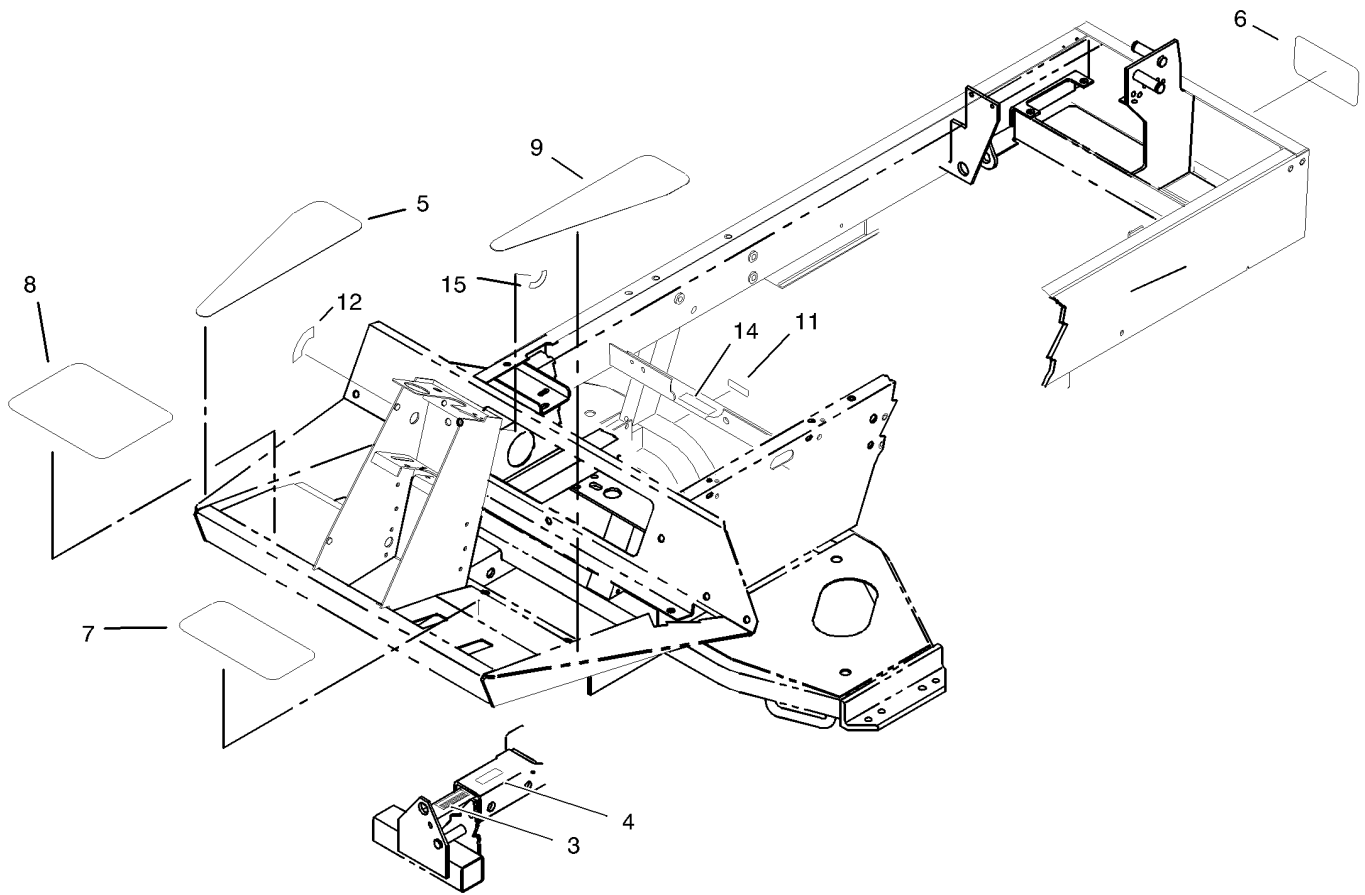
| | |
|--|----|
| Piston and Crankshaft Assembly | 61 |
| Flywheel Assembly | 62 |
| Fuel Camshaft and Governor Shaft Assembly | 63 |
| Idle Apparatus Assembly | 64 |
| Injection Pump Assembly | 65 |
| Governor Assembly | 66 |
| Speed Control Plate Assembly | 67 |
| Nozzle Holder and Glow Plug Assembly | 68 |
| Nozzle Holder (Component Parts) Assembly | 69 |
| Alternator and Pulley Assembly | 70 |
| Alternator (Component Parts) Assembly | 71 |
| Starter Mount Assembly | 72 |
| Starter (Component Parts) Assembly | 73 |
| Water Flange and Thermostat Assembly | 74 |
| Water Pump Assembly | 75 |
| Valve and Rocker Arm Assembly | 76 |
| Inlet Manifold Assembly | 77 |
| Fuel Filter and Pump, Muffler Gasket and Operator Manual | 78 |
| Gasket Kit | 79 |



Frame and Body Assembly

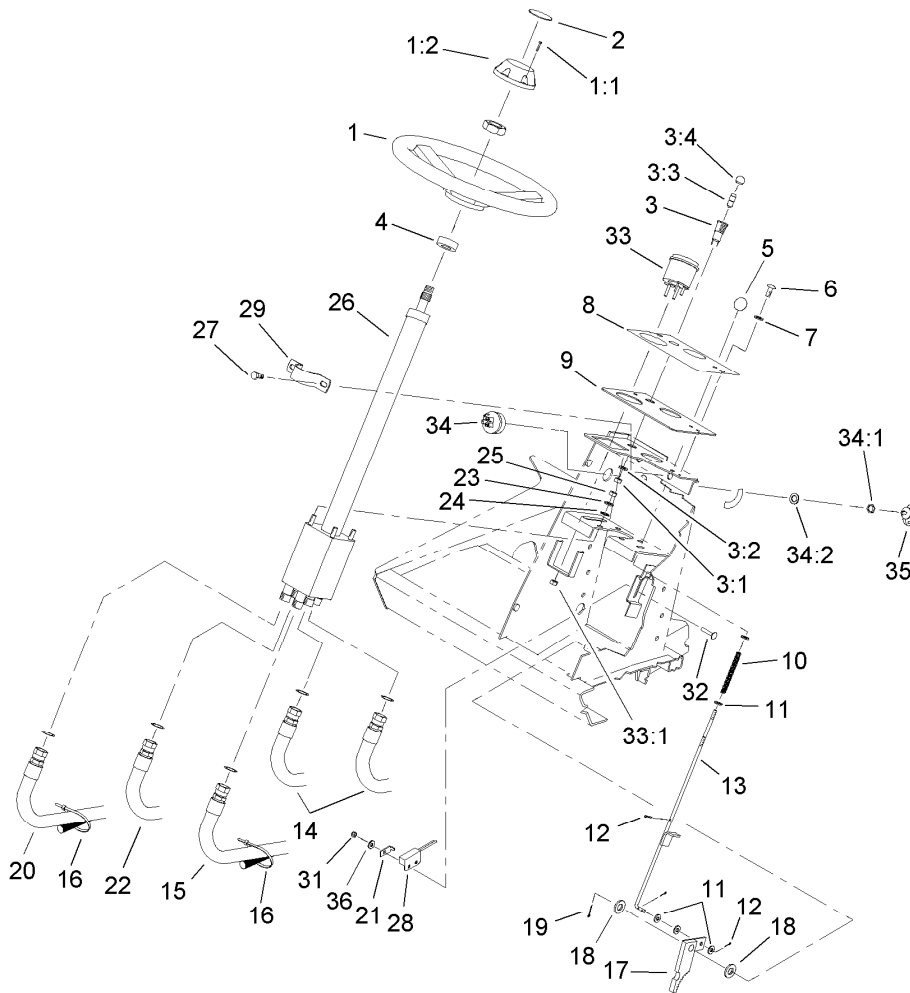
| Ref. | Part Number | Qty. | Description |
|------|-------------|------|---------------------|
| 1 | 62-5550 | 1 | Decal |
| 2 | 93-7996-01 | 1 | Cover-Tower |
| 3 | 106-5950 | 1 | RH Fender ASM |
| 3:2 | 32148-6 | 2 | Insert-Nut |
| 3:3 | 32148-7 | 5 | Nut-Insert |
| 3:4 | 93-6686 | 1 | Decal-Oil, HYD |
| 3:5 | 93-6689 | 1 | Decal-No Riders |
| 6 | 106-5951 | 1 | LH Fender ASM |
| 6:2 | 32148-7 | 6 | Nut-Insert |
| 6:3 | 93-6680 | 1 | Decal-Diesel |
| 6:4 | 93-6689 | 1 | Decal-No Riders |
| 7 | 3234-14 | 14 | Screw-HHF |
| 8 | 107-1840 | 1 | Frame ASM |
| 10 | 32144-1 | 11 | Screw-Taptite |
| 11 | 98-4572 | 1 | Bracket-Clamp, Hose |
| 12 | 32144-14 | 2 | Screw-HWHTF |
| 13 | 75-1390-01 | 1 | Cover-Access, Front |
| 14 | 75-1410-01 | 1 | Plate-Access, Floor |
| 15 | 75-6840 | 4 | Knob-Knurled |
| 15 | 3234-7 | 1 | Screw-HHF |

| Ref. | Part Number | Qty. | Description |
|------|-------------|------|-------------------------|
| 16 | 3256-3 | 4 | Washer-Flat |
| 17 | 322-5 | 4 | Screw-HH |
| 18 | 322-4 | 2 | Screw-HH |
| 19 | 94-1410 | 1 | Holder-Can, Beverage |
| 20 | 93-3626 | 1 | Bracket-Hose |
| 21 | 104-0026 | 1 | Toolbox |
| 22 | 104-1476 | 1 | Ring-Rubber |
| 23 | 75-0630 | 1 | Tread-Foot, Center |
| 24 | 104-1496 | 2 | Hinge-Pin |
| 25 | 104-1497 | 2 | Hinge-Receiver |
| 27 | 74-5950 | 2 | Latch-Swell |
| 28 | 104-9294 | 1 | Decal-Warning |
| 28 | 104-9295 | 1 | Decal-Warning, Ce |
| 29 | 104-1489-03 | 1 | Cover-Toolbox |
| 30 | 107-8841 | 1 | Decal-Service |
| 31 | 3234-5 | 1 | Screw-HHF |
| 33 | 94-5626 | 1 | Flexible Draw Latch ASM |
| 33:1 | 100-5806 | 1 | Handle-Latch |
| 33:2 | 100-5807 | 1 | Keeper-Latch |



Frame Assembly No. 107-1840

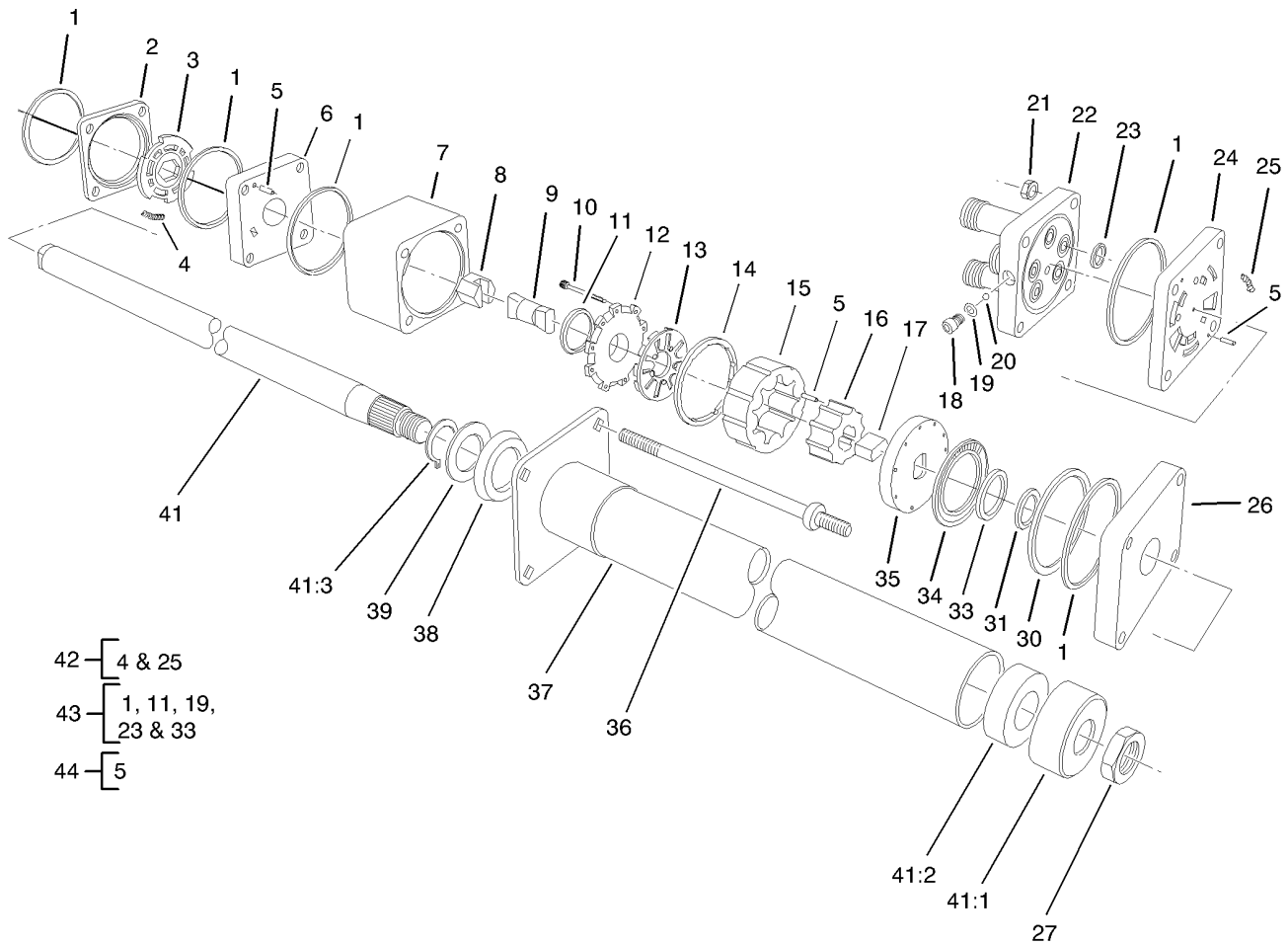
| <i>Ref.</i> | <i>Part Number</i> | <i>Qty.</i> | <i>Description</i> |
|-------------|--------------------|-------------|-----------------------|
| 3 | 93-6693 | 1 | Decal-Plate, Floor |
| 4 | 93-6686 | 1 | Decal-Oil, HYD |
| 5 | 75-0640 | 1 | Tread-Footrest, RH |
| 6 | 62-7400 | 1 | Decal |
| 7 | 75-0620 | 1 | Tread-Foot, LH |
| 8 | 75-0610 | 1 | Tread-Foot, RH |
| 9 | 75-0650 | 1 | Tread-Footrest, LH |
| 11 | 93-6691 | 1 | Decal-Bolt, Eccentric |
| 12 | 93-6699 | 1 | Decal-Fast / Slow |
| 14 | 104-2052 | 1 | Decal-Ansi |
| 15 | 105-7506 | 1 | Decal-Switch, Key |



Steering Tower Assembly

| Ref. | Part Number | Qty. | Description | Ref. | Part Number | Qty. | Description |
|------|-------------|------|----------------------|------|-------------|------|--------------------------|
| 1 | 75-0560 | 1 | Steering Wheel ASM | 17 | 63-7900-03 | 1 | Rack |
| 1:1 | 32144-21 | 1 | Screw | 18 | 3256-26 | 2 | Washer-Flat |
| 1:2 | 68-5140 | 1 | Cap-Wheel, Steering | 19 | 3272-10 | 1 | Pin-Cotter |
| 2 | 68-5370 | 1 | Decal | 20 | 75-5940 | 1 | Hose |
| 3 | 44-2210 | 1 | Light-Indicator, Red | 21 | 100-4872 | 1 | Plate-Switch, Neutral |
| 3:1 | 218-535 | 1 | Nut-Hex | 22 | 75-6250 | 1 | Hose |
| 3:2 | 218-536 | 1 | Washer-Lock | 23 | 3256-23 | 4 | Washer-Flat |
| 3:3 | 218-533 | 1 | Lens | 24 | 3255-8 | 1 | Washer-Lock |
| 3:4 | | 1 | Bulb ● | 25 | 3296-20 | 4 | Nut-Lock, NI |
| 4 | 21-9260 | 1 | Cover-Dust | 26 | 75-0600 | 1 | Unit-Steering, Power |
| 5 | 233-17 | 1 | Knob | 27 | 32144-11 | 2 | Screw-HWHTF |
| 6 | 87-6620 | 2 | Screw | 28 | 100-1270 | 1 | Switch-Proximity |
| 7 | 3256-1 | 2 | Washer-Flat | 29 | 75-2810 | 1 | Bracket-Column, Steering |
| 8 | 93-1263 | 1 | Decal-Tower | 31 | 3296-2 | 1 | Nut-Lock, NI |
| 9 | 93-7998-03 | 1 | Plate-Instrument | 32 | 104-1450 | 1 | Bolt-CARR |
| 10 | 95-1821-03 | 1 | Spring-Compression | 33 | 104-9324 | 1 | Speedometer |
| 11 | 3256-22 | 5 | Washer-Flat | 33:1 | 3296-1 | 4 | Nut-Lock |
| 12 | 3272-5 | 3 | Pin-Cotter | 34 | 104-2541 | 1 | Switch ASM |
| 13 | 104-1492 | 1 | Rod ASM | 34:1 | 218-461 | 1 | Nut-HH |
| 14 | 75-6230 | 2 | Hose | 34:2 | 3254-5 | 1 | Washer-Tooth, Internal |
| 15 | 75-6240 | 1 | Hose | 35 | 63-8360 | 1 | Key-Ignition |
| 16 | 3290-378 | 4 | Tie-Cable | 36 | 3256-14 | 1 | Washer-Flat |

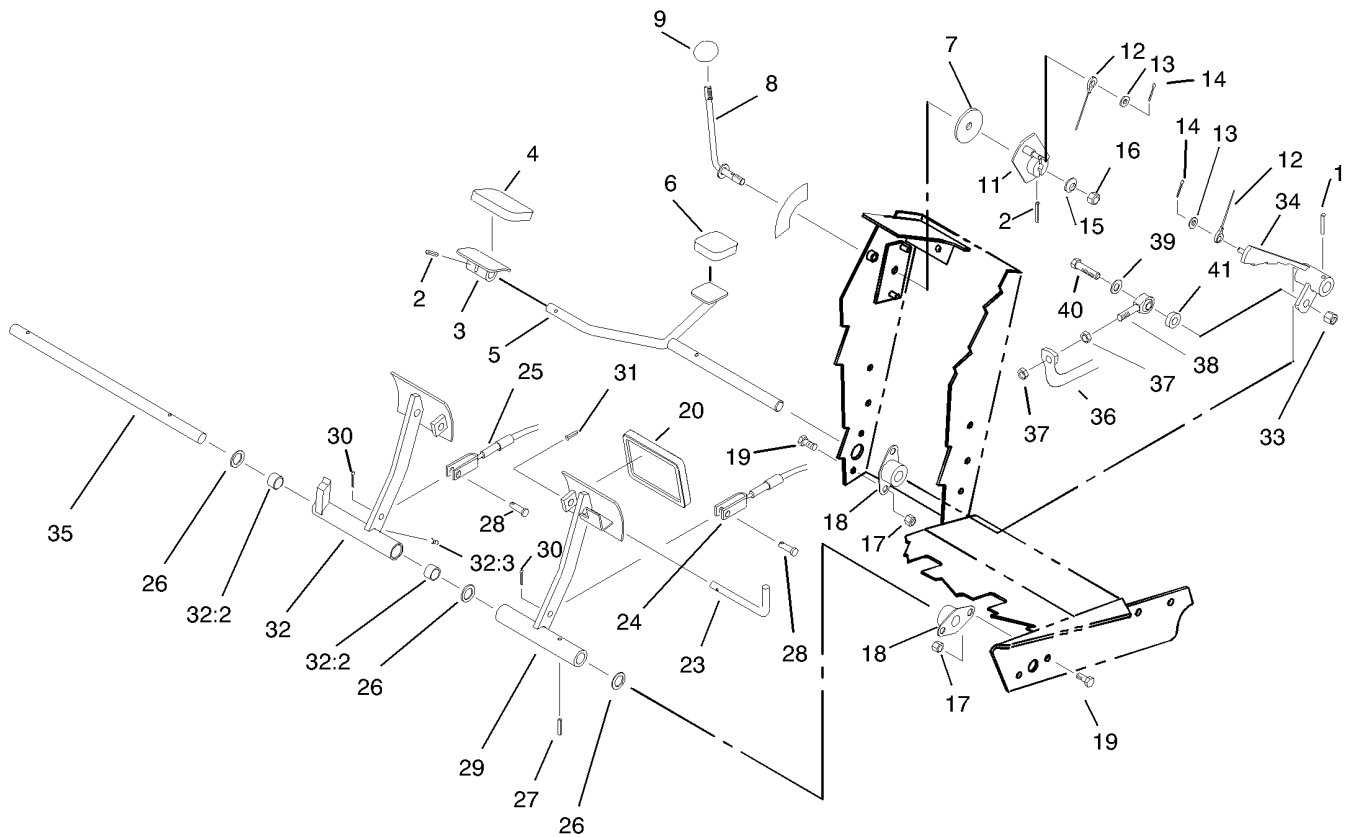
● Not serviced separately



Power Steering Unit No. 75-0600

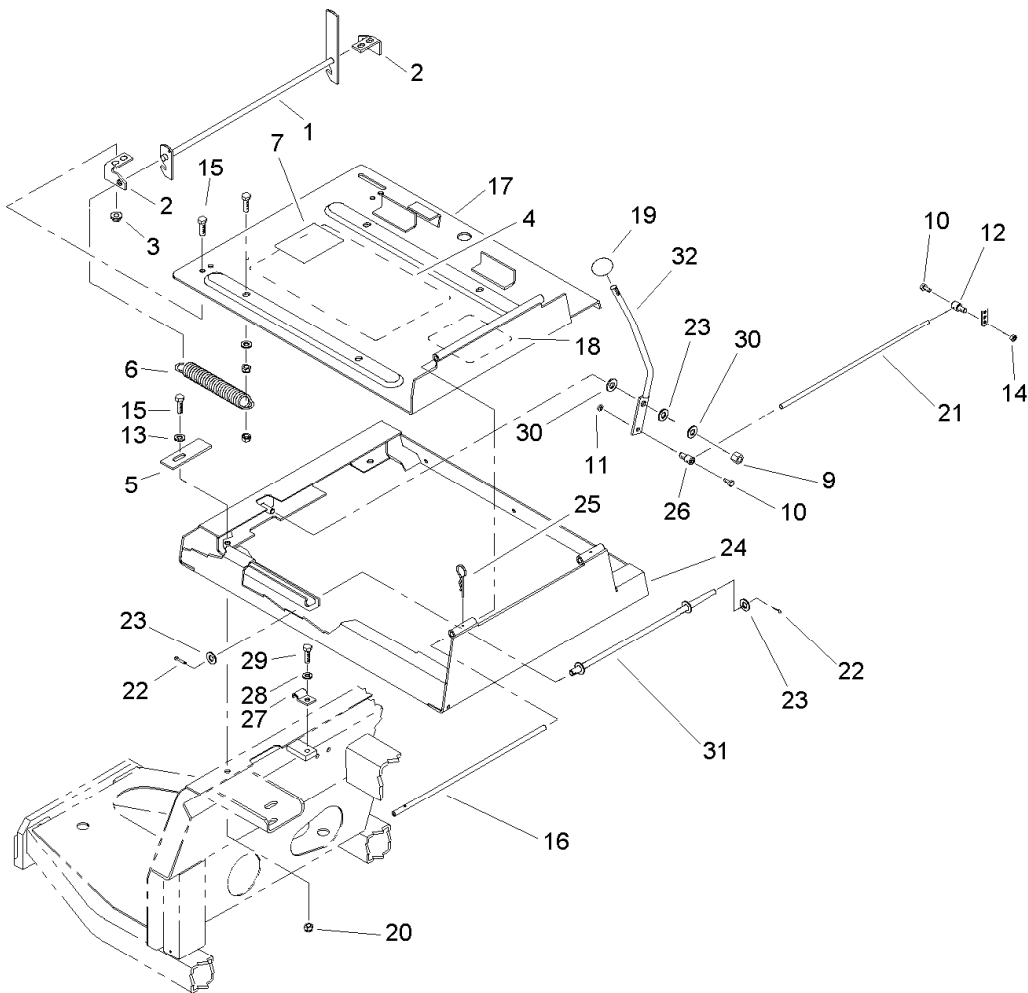
| Ref. | Part Number | Qty. | Description | Ref. | Part Number | Qty. | Description |
|------|-------------|------|----------------------|------|-------------|------|----------------------------|
| 1 | | 5 | Ring-Seal ● | 23 | | 5 | Seal-Dust ● |
| 2 | | 1 | Ring-Valve ● | 24 | | 1 | Manifold-Port ● |
| 3 | | 1 | Plate-Valve ● | 25 | | 3 | Spring ● |
| 4 | | 3 | Spring ● | 26 | | 1 | Plate-Cover, Upper ● |
| 5 | | 9 | Pin-Alignment ● | 27 | 3220-6 | 1 | Nut-Jam |
| 6 | | 1 | Manifold-Isolation ● | 30 | | 1 | Spacer-Bearing, Thrust ● |
| 7 | | 1 | Ring-Metering ● | 31 | | 1 | Spacer-Seal ● |
| 8 | | 1 | Hex Drive ASM ● | 33 | | 1 | Seal-Face ● |
| 9 | | 1 | Link-Drive ● | 34 | | 1 | Bearing-Thrust ● |
| 10 | | 11 | Screw-HSH ● | 35 | | 1 | Plate-Drive ● |
| 11 | | 1 | Seal-Commutator ● | 36 | 93-3609 | 4 | Bolt-Special |
| 12 | | 1 | Cover-Commutator ● | 37 | 66-9860 | 1 | Upper Cover And Jacket ASM |
| 13 | | 1 | Commutator ● | 38 | 66-9870 | 1 | Plate-Retaining |
| 14 | | 1 | Ring-Commutator ● | 39 | 66-9880 | 1 | Washer-Plate, Retaining |
| 15 | | 1 | Stator ● | 41 | 66-9900 | 1 | Shaft-Input |
| 16 | | 1 | Rotor ● | 41:1 | 92-7315 | 1 | Seal-Upper |
| 17 | | 1 | Spacer-Link, Drive ● | 41:2 | 104-9327 | 1 | Bushing-Column |
| 18 | | 1 | Plug ● | 41:3 | 66-9890 | 1 | Ring-Retaining |
| 19 | | 1 | Seal-Dust ● | 42 | 66-9970 | 1 | Spring Kit |
| 20 | | 1 | Ball ● | 43 | 66-9980 | 1 | Seal Kit |
| 21 | | 4 | Nut-Hex ● | 44 | 66-9990 | 1 | Needle Roller Kit |
| 22 | | 1 | Cover-Port ● | | | | |

● Not serviced separately



Traction and Brake Pedal Assembly

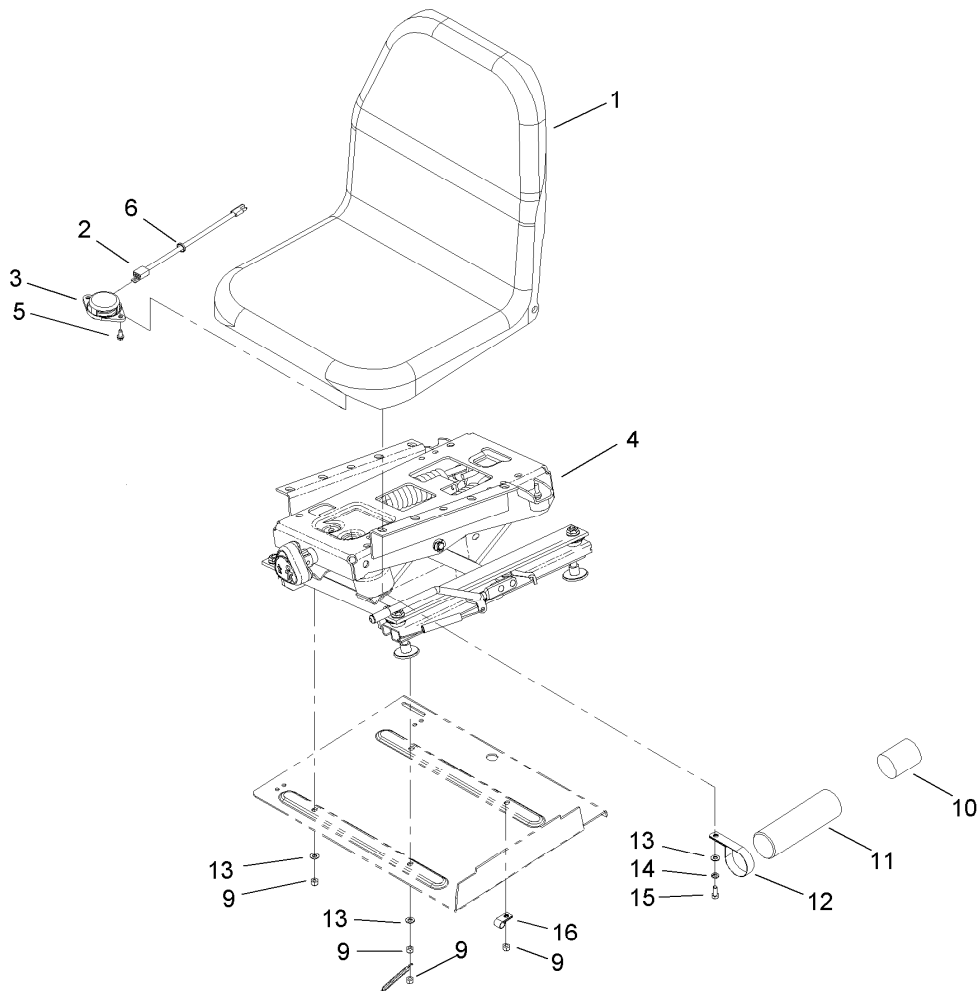
| Ref. | Part Number | Qty. | Description | Ref. | Part Number | Qty. | Description |
|------|-------------|------|-----------------------|------|-------------|------|---------------------|
| 1 | 32121-6 | 1 | Pin-Roll, Slotted | 24 | 63-7733 | 1 | LH Brake Cable ASM |
| 2 | 32121-45 | 2 | Pin-Spring | 25 | 63-7732 | 1 | RH Brake Cable ASM |
| 3 | 49-6440-03 | 1 | Pedal-Forward | 26 | 3256-69 | 3 | Washer-Flat |
| 4 | 74-9100 | 1 | Pad-Pedal, Forward | 27 | 32121-16 | 1 | Pin-Spring |
| 5 | 75-2970 | 1 | Pedal-Traction | 28 | 283-58 | 2 | Pin-Clevis |
| 6 | 74-9110 | 1 | Pad-Pedal, Reverse | 29 | 75-1440-03 | 1 | Pedal-Brake, LH |
| 7 | 75-6550 | 1 | Disc-Friction | 30 | 3272-10 | 2 | Pin-Cotter |
| 8 | 75-6490 | 1 | Lever ASM | 31 | 32121-50 | 1 | Pin-Spring |
| 9 | 233-42 | 1 | Knob | 32 | 75-1430 | 1 | RH Brake Pedal ASM |
| 11 | 75-6510 | 1 | Bracket-Lever | 32:2 | 256-42 | 2 | Bushing |
| 12 | 75-6580 | 1 | Cable-Pedal | 32:3 | 302-5 | 1 | Fitting-Grease |
| 13 | 3256-22 | 2 | Washer-Flat | 33 | 3296-39 | 1 | Nut-Lock, NI |
| 14 | 3272-2 | 2 | Pin-Cotter | 34 | 75-3270-03 | 1 | Hub-Pivot, Traction |
| 15 | 3290-461 | 1 | Washer-Spring | 35 | 75-1470 | 1 | Pin-Pivot, Brake |
| 16 | 3296-59 | 1 | Nut-Lock, NI | 36 | 75-2170-03 | 1 | Tube-Control, Pump |
| 17 | 3296-29 | 8 | Nut-Lock, NI | 37 | 3220-3 | 2 | Nut-HJ |
| 18 | 256-236 | 4 | Bearing-Mount, Flange | 38 | 2411-36 | 1 | Bearing-End, Rod |
| 19 | 322-3 | 8 | Screw-HH | 39 | 3256-24 | 1 | Washer-Flat |
| 20 | 93-8742 | 2 | Footpad-Brake | 40 | 323-9 | 1 | Screw-HH |
| 23 | 63-7880 | 1 | Pin-Latch, Brake | 41 | 5-0652 | 1 | Spacer |



Seat Frame and Throttle Assembly

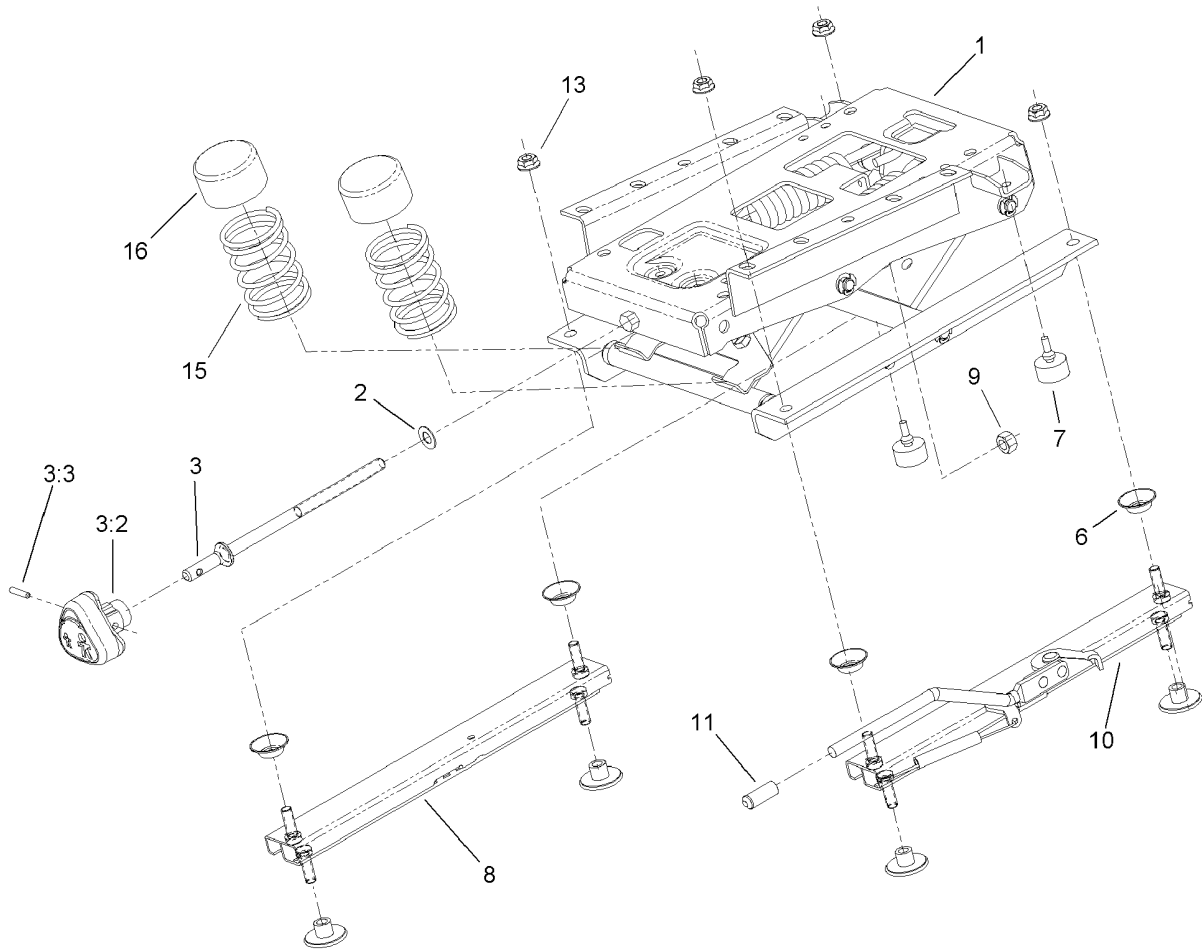
| Ref. | Part Number | Qty. | Description |
|------|-------------|------|-----------------------------|
| 1 | 98-2354-03 | 1 | Latch-Seat |
| 2 | 98-2353 | 2 | Bracket-Latch, Seat |
| 3 | 32128-25 | 4 | Nut-HF |
| 4 | 98-9342 | 1 | Decal-Solenoid, Information |
| 5 | 98-9302 | 1 | Plate-Stop, Idler |
| 6 | 66-4190-03 | 1 | Spring-Idler, Clutch |
| 7 | 105-4674 | 1 | Decal-Noise |
| 9 | 3296-39 | 1 | Nut-Lock, NI |
| 10 | 25-8640 | 2 | Screw-HH |
| 11 | 3296-3 | 1 | Nut-Lock |
| 12 | 98-9311 | 1 | Swivel-Throttle |
| 13 | 3256-23 | 1 | Washer-Flat |
| 14 | 3296-20 | 1 | Nut-Lock, NI |
| 15 | 322-3 | 8 | Screw-HH |
| 16 | 75-3400 | 1 | Shaft-Pivot, Seat |
| 17 | 98-2350-03 | 1 | Seat Plate ASM |

| Ref. | Part Number | Qty. | Description |
|------|-------------|------|------------------------|
| 18 | 106-9224 | 1 | Decal-Danger |
| 19 | 233-42 | 1 | Knob |
| 20 | 3296-29 | 4 | Nut-Lock, NI |
| 21 | 98-9303 | 1 | Cable-Throttle |
| 22 | 3272-10 | 2 | Pin-Cotter |
| 23 | 3256-24 | 3 | Washer-Flat |
| 24 | 98-2352-03 | 1 | Frame-Seat |
| 25 | 3290-467 | 1 | Pin-Hair |
| 26 | 93-0021 | 1 | Swivel-Cable, Throttle |
| 27 | 3-6657 | 1 | Clip-Skid |
| 28 | 3253-3 | 1 | Washer-Lock |
| 29 | 321-4 | 1 | Screw-HH |
| 30 | 66-2920 | 2 | Washer-Friction |
| 31 | 75-3680-03 | 1 | Rod-Seat |
| 32 | 75-3430-03 | 1 | Lever-Throttle |



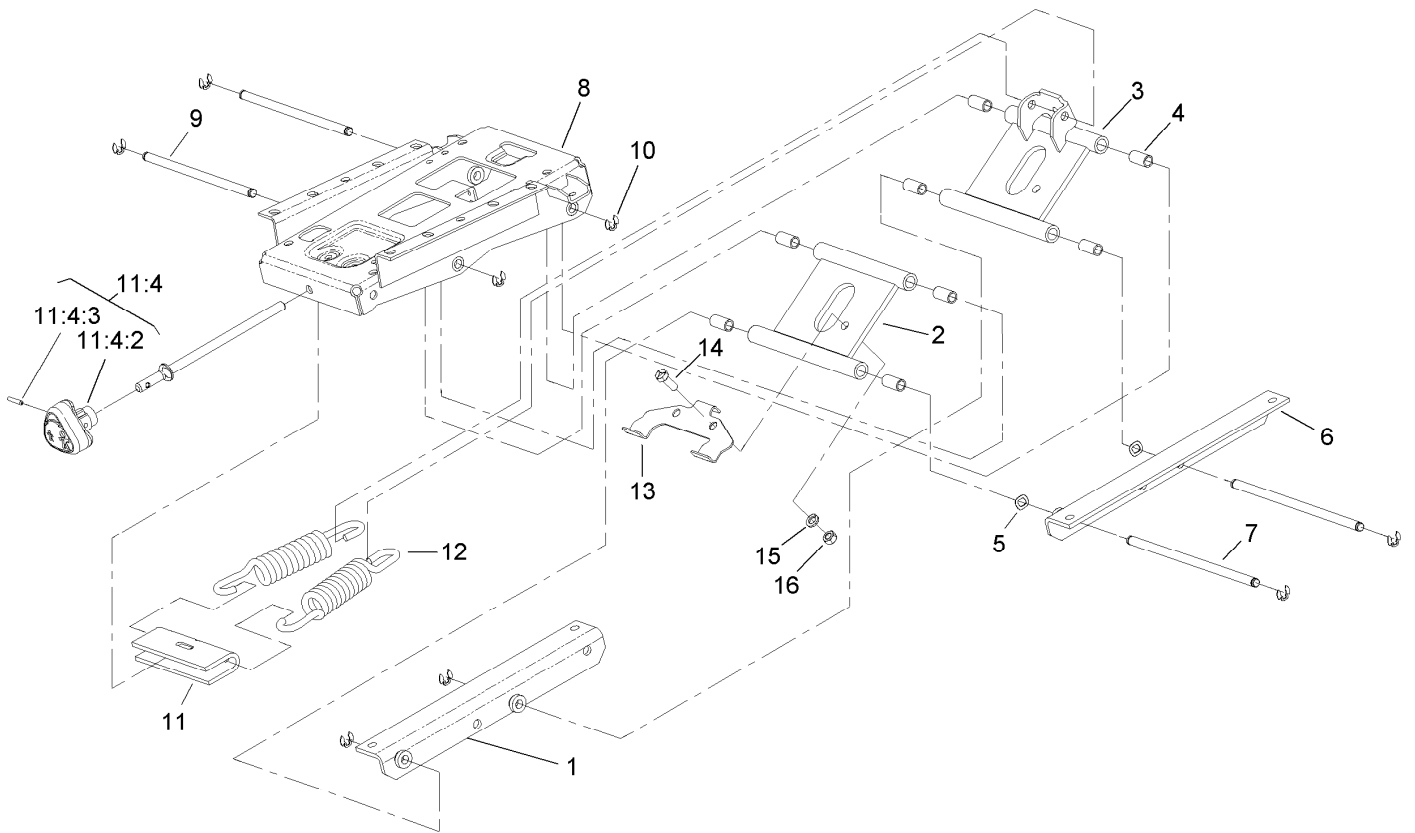
Seat and Suspension Assembly

| <i>Ref.</i> | <i>Part Number</i> | <i>Qty.</i> | <i>Description</i> |
|-------------|--------------------|-------------|---------------------------|
| 1 | 104-4620 | 1 | Seat |
| 2 | 106-7090 | 1 | Harness-Wire, Seat Switch |
| 3 | 92-6282 | 1 | Switch-Seat |
| 4 | 76-1970 | 1 | Seat Suspension ASM |
| 5 | 32144-10 | 2 | Screw-HWH |
| 6 | 93-0140 | 1 | Grommet-Rubber |
| 9 | 3296-29 | 5 | Nut-Lock, NI |
| 10 | 104-7048 | 1 | Cap-Housing |
| 11 | 104-7050 | 1 | Tube-Manual |
| 12 | 2412-133 | 2 | R-Clamp |
| 13 | 3256-23 | 8 | Washer-Flat |
| 14 | 3253-4 | 4 | Washer-Lock |
| 15 | 322-3 | 4 | Screw-HH |
| 16 | 2412-93 | 1 | Clamp-R |



Seat Suspension Assembly No. 76-1970

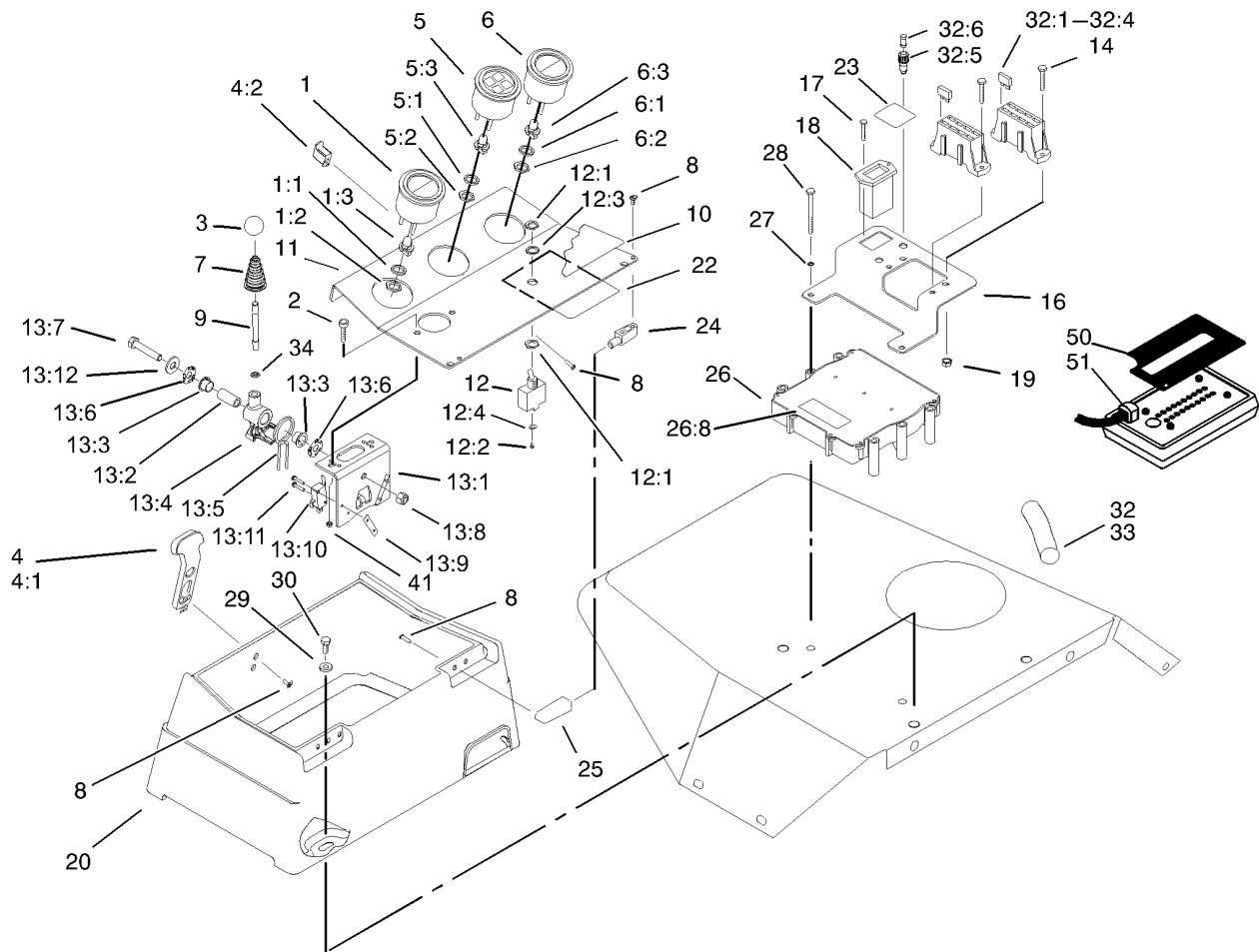
| <i>Ref.</i> | <i>Part Number</i> | <i>Qty.</i> | <i>Description</i> |
|-------------|--------------------|-------------|---------------------------|
| 1 | 106-8085 | 1 | Suspension ASM |
| 2 | 3256-24 | 1 | Washer-Flat |
| 3 | 106-1031 | 1 | Tension Adjuster Knob ASM |
| 3:2 | 106-8093 | 1 | Knob-Adjust, Tension |
| 3:3 | 32121-45 | 1 | Pin-Spring |
| 6 | 66-9290 | 4 | Spacer-Suspension |
| 7 | 76-2940 | 2 | Bumper |
| 8 | 66-8530 | 1 | Adjuster |
| 9 | 32153-2 | 1 | Nut-Lock, Side |
| 10 | 66-8510 | 1 | Adjuster W / Handle |
| 11 | 75-3570 | 1 | Tip-Vinyl |
| 13 | 32128-25 | 4 | Nut-HF |
| 15 | 93-3163 | 2 | Spring |
| 16 | 93-3164 | 2 | Cap |



Suspension Assembly No. 106-8085

| Ref. | Part Number | Qty. | Description |
|--------|-------------|------|-----------------------------|
| 1 | 106-8086 | 1 | Bracket-Mounting, RH |
| 2 | 106-8087 | 1 | Arm |
| 3 | 106-8088 | 1 | Bellcrank |
| 4 | 76-1920 | 8 | Sleeve-Bearing |
| 5 | 108472 | 2 | Washer-Wave |
| 6 | 106-8089 | 1 | Bracket-Mounting, LH |
| 7 | 106-8090 | 2 | Shaft-Pivot |
| 8 | 66-8600 | 1 | Frame-Upper |
| 9 | 76-1910 | 2 | Shaft-Pivot |
| 10 | 32151-47 | 8 | Ring-Retaining |
| 11 | 76-1960 | 1 | Knob Kit |
| 11:4 | | 1 | Tension Adjuster Knob ASM ● |
| 11:4:2 | 106-8093 | 1 | Knob-Adjust, Tension |
| 11:4:3 | 32121-45 | 1 | Pin-Spring |
| 12 | 76-1940 | 2 | Spring-Extension |
| 13 | 93-3165 | 1 | Bracket |
| 14 | 322-6 | 1 | Screw-HH |
| 15 | 3253-33 | 1 | Washer-Lock |
| 16 | 3217-6 | 1 | Nut-Hex |

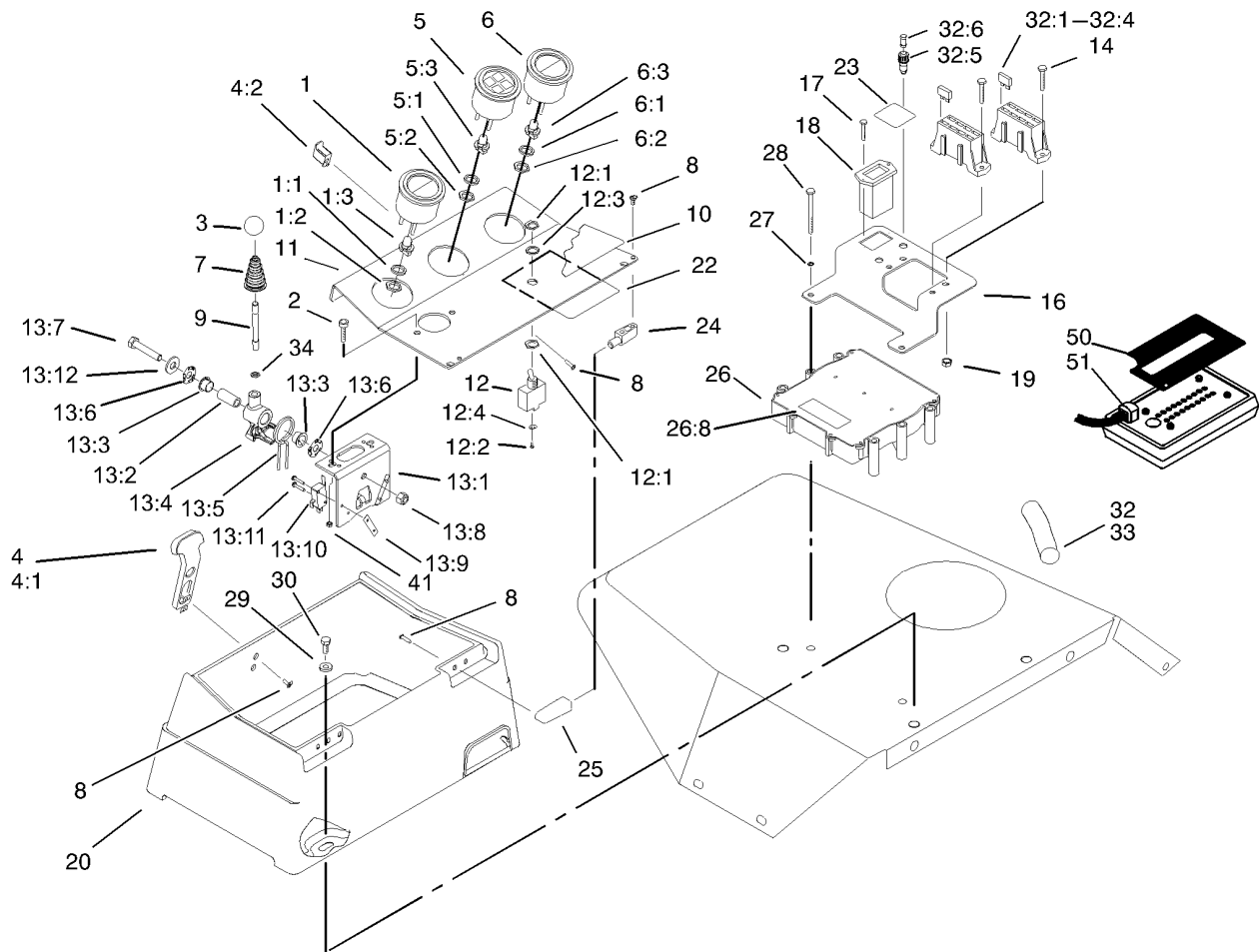
● Not serviced separately



Control Console Assembly

| Ref. | Part Number | Qty. | Description | Ref. | Part Number | Qty. | Description |
|------|-------------|------|-------------------------|-------|-------------|------|------------------------|
| 1 | 98-9339 | 1 | Gauge-Fuel | 12:3 | 218-589 | 1 | Washer |
| 1:1 | 3254-1 | 3 | Washer-Lock, Int | 12:4 | 3253-19 | 3 | Washer-Lock |
| 1:2 | 3217-27 | 3 | Nut-Hex | 13 | 106-4167 | 1 | Joystick Bracket ASM ● |
| 1:3 | 105-9265 | 1 | Bulb And Lamp ASM | 13:1 | 106-4168-03 | 1 | Bracket-Joystick |
| 2 | 3258-166 | 2 | Screw-PRH | 13:2 | 106-4192 | 1 | Spacer |
| 3 | 233-42 | 1 | Knob | 13:3 | 93-5547 | 2 | Bushing-Nylon |
| 4 | 94-5626 | 1 | Flexible Draw Latch ASM | 13:4 | 105-7507 | 1 | Hub-Pivot, Joystick |
| 4:1 | 100-5806 | 1 | Handle-Latch | 13:5 | 105-8289 | 1 | Spring-Torsion |
| 4:2 | 100-5807 | 1 | Keeper-Latch | 13:6 | 106-4193 | 2 | Washer-Finger, Spring |
| 5 | 98-9306 | 1 | Light-Warning | 13:7 | 322-9 | 1 | Screw-HH |
| 5:1 | 3254-1 | 1 | Washer-Lock, Int | 13:8 | 3296-29 | 1 | Nut-Lock, NI |
| 5:2 | 3217-27 | 1 | Nut-Hex | 13:9 | 3290-354 | 2 | Nut-Speed |
| 5:3 | 105-9264 | 4 | Bulb And Lamp ASM | 13:10 | 111332 | 2 | Switch |
| 6 | 98-9308 | 1 | Gauge-Temperature | 13:11 | 95-3003 | 4 | Screw-PPHTF |
| 6:1 | 3254-1 | 3 | Washer-Lock, Int | 13:12 | 3256-3 | 1 | Washer-Flat |
| 6:2 | 3217-27 | 3 | Nut-Hex | 14 | 32105-13 | 4 | Screw-HWH |
| 6:3 | 105-9265 | 1 | Bulb And Lamp ASM | 16 | 104-1499-03 | 1 | Bracket-Block, Fuse |
| 7 | 93-5961 | 1 | Boot-Lever | 17 | 32144-18 | 2 | Screw-HWH |
| 8 | 32144-1 | 11 | Screw-Taptite | 18 | 75-6820 | 1 | Hourmeter |
| 9 | 105-7508 | 1 | Lever-Joystick | 19 | 3296-2 | 4 | Nut-Lock, NI |
| 10 | 104-9296 | 1 | Decal-Control | 20 | 104-0027 | 1 | Box-Control |
| 11 | 104-9251-03 | 1 | Plate-Instrument | 22 | 94-6767 | 1 | Decal-Fuses |
| 12 | 99-8352 | 1 | Switch-Backlap, Master | 23 | 104-9298 | 1 | Decal-Controller |
| 12:1 | 218-498 | 2 | Nut-Lock | 24 | 104-1496 | 2 | Hinge-Pin |
| 12:2 | 218-588 | 3 | Screw | 25 | 104-1497 | 2 | Hinge-Receiver |

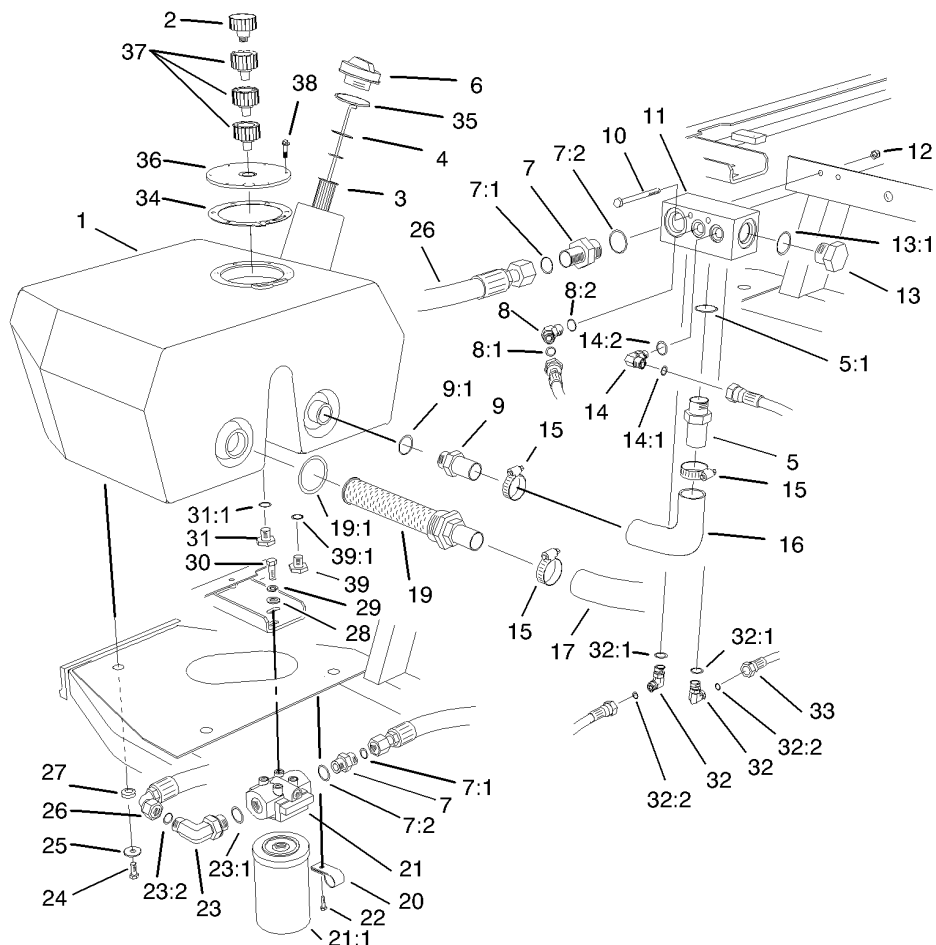
● Not illustrated



Control Console Assembly (continued)

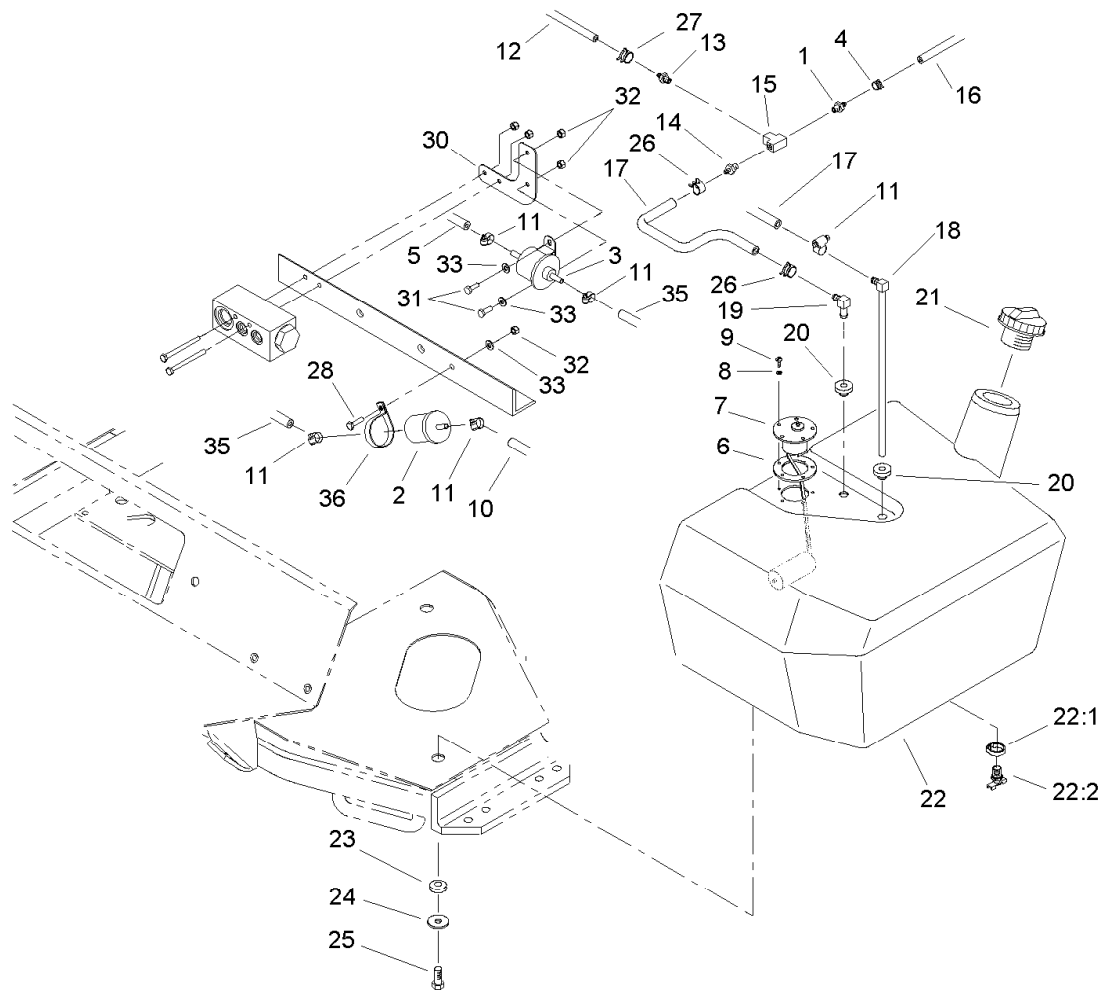
| Ref. | Part Number | Qty. | Description | Ref. | Part Number | Qty. | Description |
|------|-------------|------|-----------------------|------|-------------|------|---------------------------------|
| 26 | 92-5720 | 1 | Controller | 32:4 | 109101 | 1 | Fuse-Blade, 20 Amp |
| 26:8 | 93-8053 | 1 | Decal | 32:5 | 85-4491 | 1 | Light-Indicator (Includes Lamp) |
| 27 | 3253-3 | 2 | Washer-Lock | 32:6 | 219-19 | 1 | Lamp-Green |
| 28 | 321-14 | 2 | Screw-HH | 33 | 94-6343 | 1 | Decal-Identification, Wire |
| 29 | 3256-3 | 3 | Washer-Flat | 34 | 3218-3 | 1 | Nut-Jam |
| 30 | 322-5 | 3 | Screw-HH | 41 | 32128-33 | 2 | Nut-HF |
| 32 | 108-0637 | 1 | Harness-Wire | 50 | 104-9270 | 1 | Decal-Diagnostics |
| 32:1 | 94-9157 | 1 | Fuse-Blade, 4 Amp | 51 | 85-4750 | 1 | Box-Display, Diagnostic |
| 32:2 | 114241 | 1 | Fuse-Blade, 7.5 Amp ● | | | | |
| 32:3 | 218-578 | 3 | Fuse-Blade, 10 Amp ● | | | | |

● Not illustrated



Hydraulic Filter and Reservoir Assembly

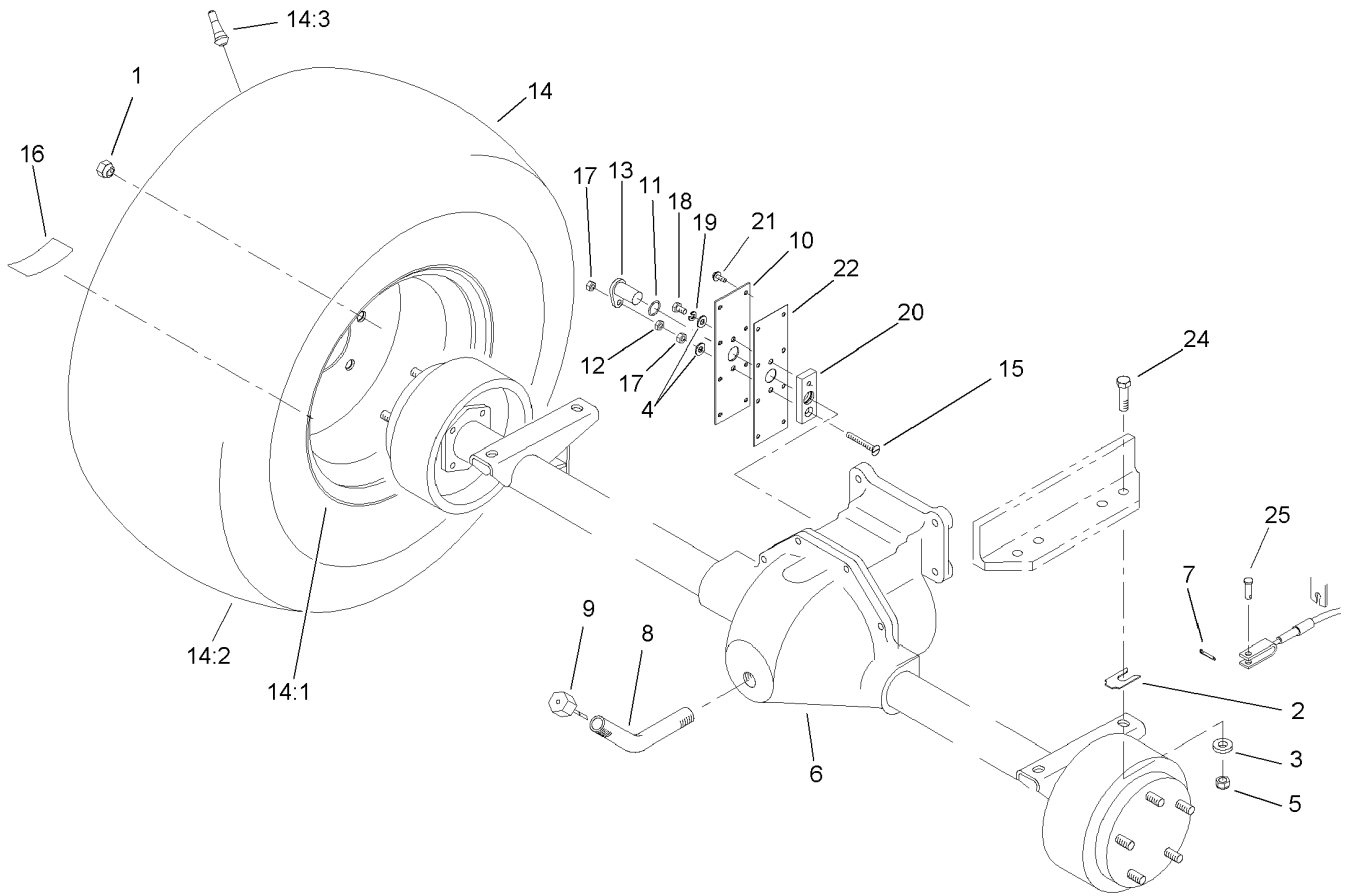
| Ref. | Part Number | Qty. | Description | Ref. | Part Number | Qty. | Description |
|------|-------------|------|----------------------|------|-------------|------|-----------------------|
| 1 | 104-9254 | 1 | Tank-Oil | 20 | 2412-93 | 2 | Clamp-R |
| 2 | 68-6150 | 1 | Breather | 21 | 75-1300 | 1 | Oil Filter ASM |
| 3 | 61-2790 | 1 | Filter-Screen | 21:1 | 75-1310 | 1 | Filter-HYD |
| 4 | 94-9411 | 1 | Dipstick | 22 | 32144-10 | 2 | Screw-HWH |
| 5 | 354-73 | 1 | Fitting-Straight | 23 | 340-139 | 1 | Fitting-HYD, 90 DEG |
| 5:1 | 237-81 | 1 | O-Ring | 23:1 | 237-81 | 1 | O-Ring |
| 6 | 93-7498 | 1 | Plug-Plastic | 23:2 | 237-65 | 1 | O-Ring |
| 7 | 340-8 | 2 | Adapter | 24 | 33105-025 | 3 | Screw-HHF |
| 7:1 | 237-65 | 1 | O-Ring | 25 | 63-8410 | 3 | Washer |
| 7:2 | 237-81 | 1 | O-Ring | 26 | 75-6130 | 1 | Hose ASM |
| 8 | 340-87 | 1 | Fitting-HYD, 45 DEG | 27 | 240-11 | 3 | Bushing-Flange |
| 8:1 | 237-22 | 1 | O-Ring | 28 | 3256-24 | 2 | Washer-Flat |
| 8:2 | 237-42 | 1 | O-Ring | 29 | 3253-21 | 2 | Washer-Lock |
| 9 | 99-6932 | 1 | Fitting-Hose, Barbed | 30 | 323-4 | 2 | Screw-HH |
| 9:1 | 237-117 | 1 | O-Ring | 31 | 353-550 | 1 | Plug-HYD, HH |
| 10 | 321-23 | 2 | Screw-HH | 31:1 | 237-79 | 1 | O-Ring |
| 11 | 92-9098 | 1 | Manifold-Tank | 32 | 340-82 | 2 | Adapter ASM |
| 12 | 3296-42 | 2 | Nut-Lock, NI | 32:1 | 237-42 | 1 | O-Ring |
| 13 | 354-74 | 1 | Plug-HH | 32:2 | 237-21 | 1 | O-Ring |
| 13:1 | 237-81 | 1 | O-Ring | 33 | 100-3739 | 1 | Return Drain Hose ASM |
| 14 | 340-77 | 1 | Fitting-HYD, 90 DEG | 34 | 93-7499 | 1 | Gasket |
| 14:1 | 237-22 | 1 | O-Ring | 35 | 237-101 | 1 | O-Ring |
| 14:2 | 237-42 | 1 | O-Ring | 36 | 93-7588 | 1 | Cover-Tank |
| 15 | 2412-34 | 3 | Clamp-Hose | 37 | 92-8020 | 3 | Adapter-Breather |
| 16 | 75-5720 | 1 | Hose-Return | 38 | 33104-020 | 6 | Screw-HHF |
| 17 | 75-6870 | 1 | Hose-Inlet, Pump | 39 | 353-508 | 1 | Plug-HH |
| 19 | 104-7546 | 1 | Tank Strainer ASM | 39:1 | 237-42 | 1 | O-Ring |
| 19:1 | 340-136 | 1 | O-Ring | | | | |



Fuel Tank Assembly

| Ref. | Part Number | Qty. | Description | Ref. | Part Number | Qty. | Description |
|------|-------------|------|-----------------------|------|-------------|------|--------------------|
| 1 | 304-73 | 1 | Connector-Hose | 20 | 46-6560 | 2 | Bushing |
| 2 | 98-7612 | 1 | Filter-Fuel | 21 | 93-3102 | 1 | Cap-Fuel |
| 3 | 104-5215 | 1 | Pump-Fuel, Electric | 22 | 105-7933 | 1 | Tank-Fuel |
| 4 | 2412-98 | 1 | Clamp-Hose | 22:1 | 2412-36 | 1 | Clamp-Hose |
| 5 | 23-2140 | 1 | Hose-Fuel | 22:2 | 304-46 | 1 | Draincock |
| 6 | 62-7650 | 1 | Gasket | 23 | 240-11 | 3 | Bushing-Flange |
| 7 | 63-7640 | 1 | Sender-Fuel | 24 | 63-8410 | 3 | Washer |
| 8 | 3253-15 | 5 | Washer-Lock | 25 | 33105-025 | 3 | Screw-HHF |
| 9 | 32122-24 | 5 | Screw-PTH | 26 | 92-2379 | 2 | Clamp-Hose |
| 10 | 27-5370 | 1 | Hose-Fuel | 27 | 2412-146 | 2 | Clamp-Hose |
| 11 | 2412-108 | 6 | Clamp-Worm | 28 | 321-6 | 1 | Screw-HH |
| 12 | 75-4700 | 1 | Hose-Fuel | 30 | 104-9333 | 1 | Bracket-Pump, Fuel |
| 13 | 354-22 | 1 | Fitting-Barbed | 31 | 321-4 | 2 | Screw-HH |
| 14 | 354-21 | 1 | Fitting-Barbed | 32 | 3296-42 | 3 | Nut-Lock, NI |
| 15 | 354-20 | 1 | Fitting-Tee | 33 | 3256-22 | 3 | Washer-Flat |
| 16 | 98-9338 | 1 | Hose-Fuel | 34 | 3290-378 | 1 | Tie-Cable ● |
| 17 | 93-2042 | 1 | Hose-Fuel | 35 | 27-5360 | 1 | Hose-Fuel |
| 18 | 66-8121 | 1 | Standpipe | 36 | 2412-148 | 1 | Clamp-R |
| 19 | 46-6550 | 1 | Fitting-Elbow, 90 DEG | | | | |

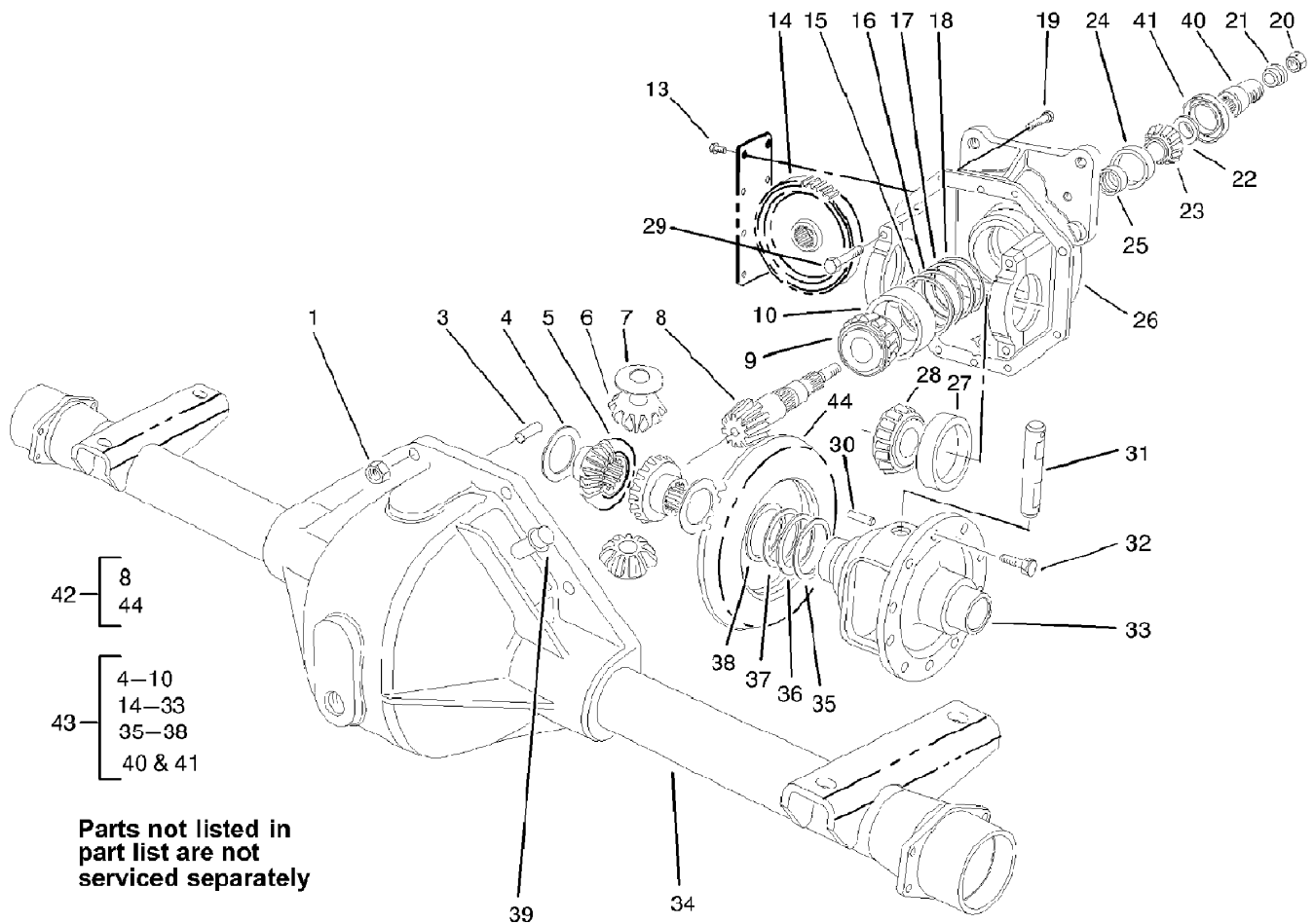
● Not illustrated



Front Axle Assembly

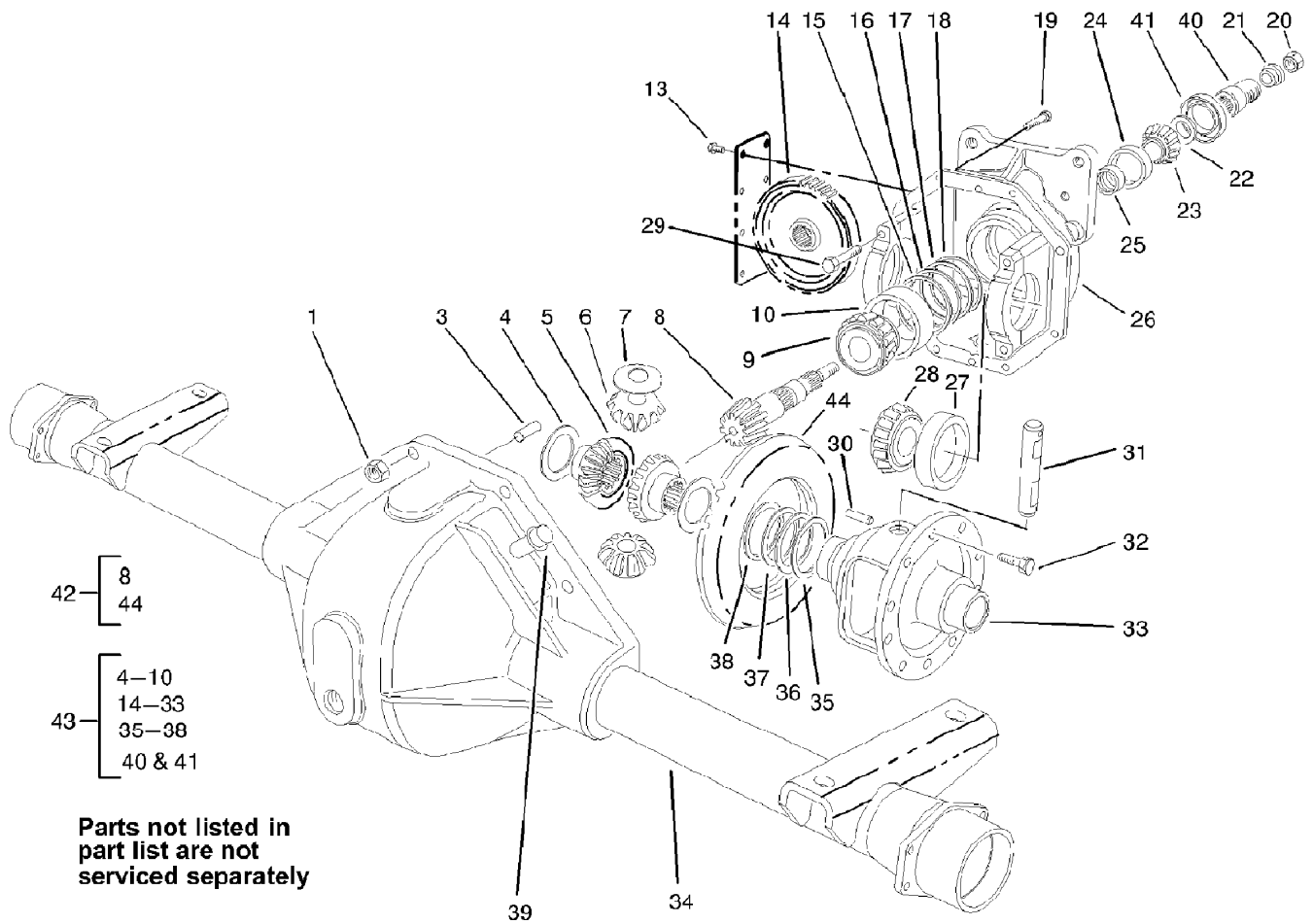
| <i>Ref.</i> | <i>Part Number</i> | <i>Qty.</i> | <i>Description</i> | <i>Ref.</i> | <i>Part Number</i> | <i>Qty.</i> | <i>Description</i> |
|-------------|--------------------|-------------|----------------------|-------------|--------------------|-------------|------------------------|
| 1 | 242-50 | 10 | Nut-Lug | 14:1 | 99-6984 | 1 | Wheel ASM |
| 2 | 42-6080 | 5 | Shim-Axle | 14:2 | 98-2373 | 1 | Tire-Ultra Trac |
| 3 | 66-6480 | 4 | Washer | 14:3 | 232-27 | 1 | Stem-Valve |
| 4 | 3256-22 | 2 | Washer-Flat | 15 | 32108-9 | 1 | Screw-FH |
| 5 | 3296-48 | 4 | Nut-Lock, NI | 16 | 106-9206 | 2 | Decal-Torque, Wheel |
| 6 | 108-0640-03 | 1 | Drive Axle ASM | 17 | 3296-56 | 2 | Nut-Lock, NI |
| 7 | 3272-10 | 2 | Pin-Cotter | 18 | 321-2 | 1 | Screw-HH |
| 8 | 75-6850 | 1 | Tube-Fill, Oil | 19 | 3253-3 | 1 | Washer-Lock |
| 9 | 27-3710 | 1 | Dipstick | 20 | 85-4340 | 1 | Plate-Mounting, Sensor |
| 10 | 85-4330 | 1 | Cover-Gear | 21 | 32144-112 | 8 | Screw-HWH |
| 11 | 237-181 | 1 | O-Ring | 22 | 92-5797 | 1 | Gasket-Axle |
| 12 | 3218-1 | 1 | Nut-Jam | 24 | 324-7 | 4 | Screw-HH |
| 13 | 85-4350 | 1 | Sensor-Geartooth | 25 | 283-58 | 2 | Pin-Clevis |
| 14 | | 2 | Wheel And Tire ASM ● | | | | |

● Not serviced separately



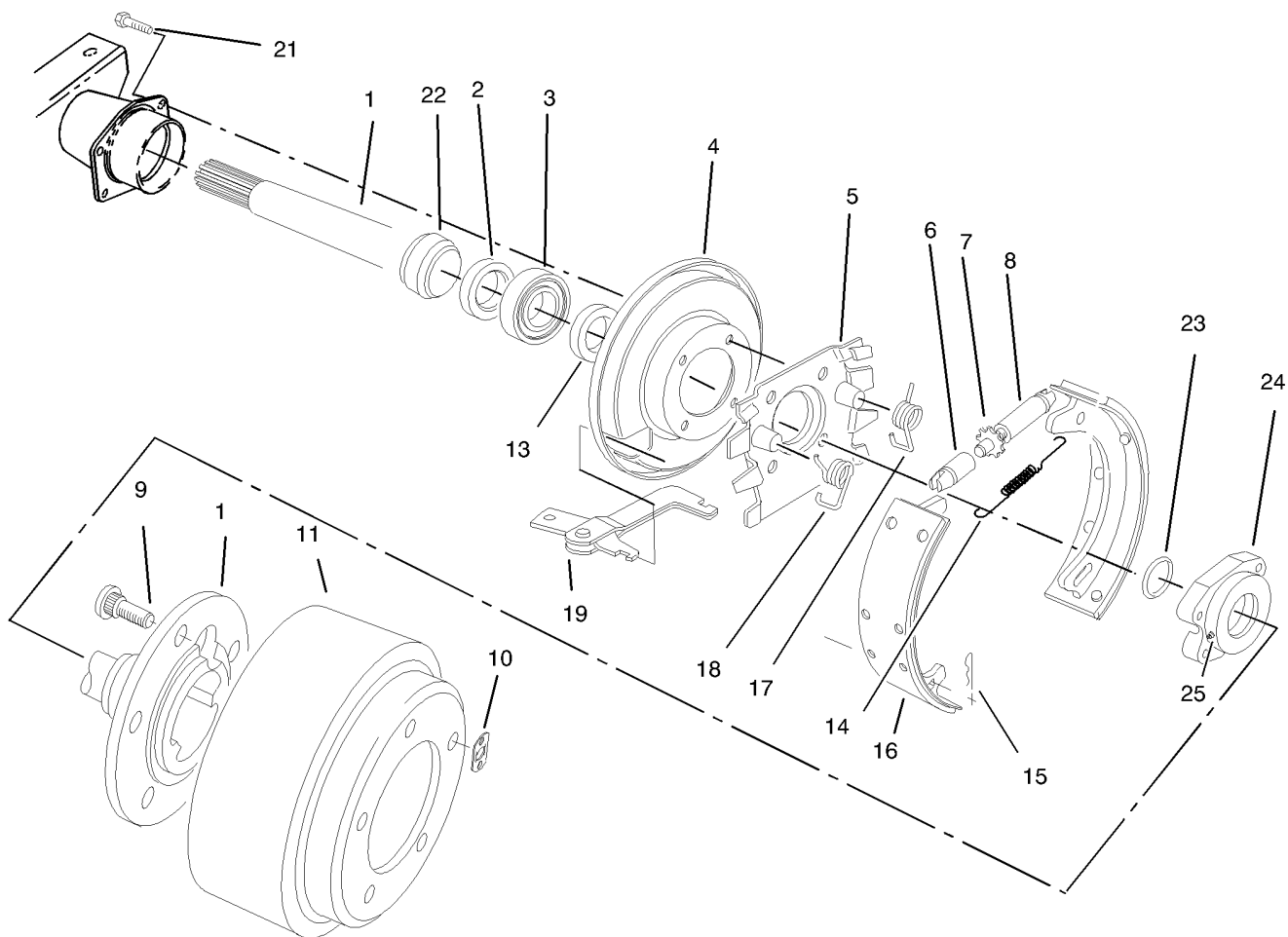
Drive Axle Assembly No. 108-0640-03

| Ref. | Part Number | Qty. | Description | Ref. | Part Number | Qty. | Description |
|------|-------------|------|----------------------------|------|-------------|------|----------------------------|
| 1 | 32149-5 | 8 | Nut-Keps | 22 | 72-3581 | 1 | Shim-Bearing, Front (.114) |
| 3 | 21-8270 | 2 | Pin-Dowel | 22 | 72-3582 | 1 | Shim-Bearing, Front (.116) |
| 4 | 21-7720 | 2 | Washer-Thrust | 22 | 72-3583 | 1 | Shim-Bearing, Front (.118) |
| 5 | 24-8790 | 2 | Gear-Differential | 22 | 72-3584 | 1 | Shim-Bearing, Front (.120) |
| 6 | 21-7690 | 2 | Pinion-Differential | 22 | 72-3585 | 1 | Shim-Bearing, Front (.125) |
| 7 | 21-7730 | 2 | Washer-Thrust, Pinion | 22 | 72-3586 | 1 | Shim-Bearing, Front (.127) |
| 9 | 43-6760 | 1 | Bearing-Roller, Cone Taper | 22 | 72-3587 | 1 | Shim-Bearing, Front (.129) |
| 10 | 43-6750 | 1 | Bearing-Taper, Cup | 22 | 72-3588 | 1 | Shim-Bearing, Front (.131) |
| 13 | 32144-112 | 8 | Screw-HWH | 22 | 72-3590 | 1 | Shim-Bearing, Front (.133) |
| 14 | 86-7230 | 1 | Gear-Input, Transmission | 22 | 72-3591 | 1 | Shim-Bearing, Front (.135) |
| 15 | 43-6710 | 1 | Shim-Pinion (.003) | 22 | 72-3592 | 1 | Shim-Bearing, Front (.137) |
| 16 | 43-6711 | 1 | Shim-Pinion (.005) | 22 | 72-3593 | 1 | Shim-Bearing, Front (.139) |
| 17 | 43-6712 | 1 | Shim-Pinion (.010) | 22 | 72-3594 | 1 | Shim-Bearing, Front (.141) |
| 18 | 43-6713 | 1 | Shim-Pinion (.030) | 22 | 72-3595 | 1 | Shim-Bearing, Front (.143) |
| 19 | 3210-8 | 8 | Screw-HH | 22 | 72-3596 | 1 | Shim-Bearing, Front (.145) |
| 20 | 71-4350 | 1 | Nut | 22 | 72-3597 | 1 | Shim-Bearing, Front (.147) |
| 21 | 83-5130 | 1 | Spacer-Pinion | 22 | 72-3598 | 1 | Shim-Bearing, Front (.149) |
| 22 | 72-3570 | 1 | Shim-Bearing, Front (.094) | 22 | 72-3600 | 1 | Shim-Bearing, Front (.151) |
| 22 | 72-3571 | 1 | Shim-Bearing, Front (.096) | 23 | 254-91 | 1 | Cone-Bearing |
| 22 | 72-3572 | 1 | Shim-Bearing, Front (.098) | 24 | 21-8390 | 1 | Cup-Bearing |
| 22 | 72-3573 | 1 | Shim-Bearing, Front (.100) | 25 | 21-8020 | 1 | Spacer-Bearing |
| 22 | 72-3574 | 1 | Shim-Bearing, Front (.102) | 26 | 93-3619 | 1 | Upper Housing ASM |
| 22 | 72-3575 | 1 | Shim-Bearing, Front (.104) | 27 | 254-66 | 2 | Cup-Bearing, Roller |
| 22 | 72-3576 | 1 | Shim-Bearing, Front (.106) | 28 | 254-65 | 2 | Bearing-Roller, Cone |
| 22 | 72-3577 | 1 | Shim-Bearing, Front (.108) | 29 | 92-1773 | 4 | Screw-HHF |
| 22 | 72-3578 | 1 | Shim-Bearing, Front (.110) | 30 | 21-7710 | 1 | Pin-Roll |
| 22 | 72-3580 | 1 | Shim-Bearing, Front (.112) | 31 | 21-7700 | 1 | Shaft-Mate, Pinion |



Drive Axle Assembly No. 108-0640-03 (continued)

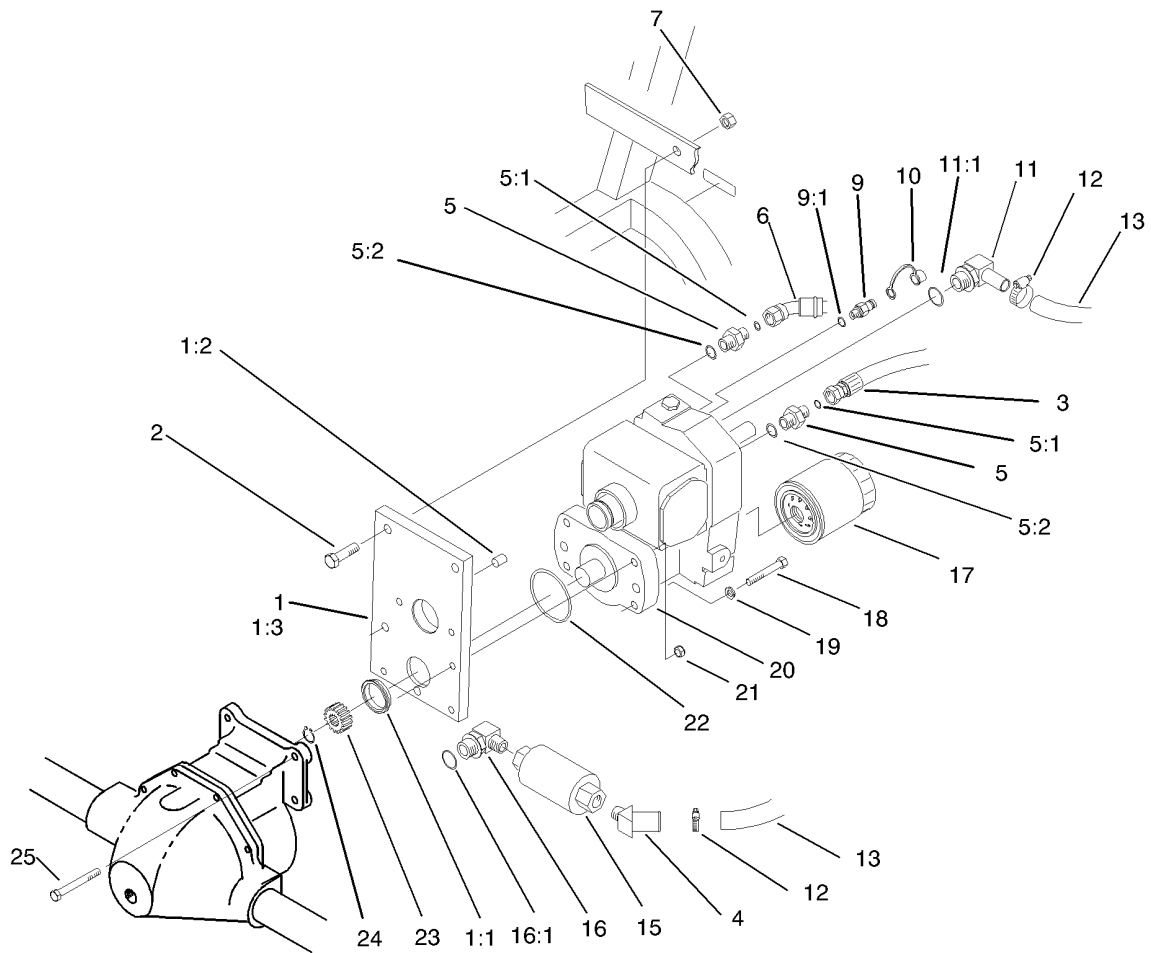
| Ref. | Part Number | Qty. | Description | Ref. | Part Number | Qty. | Description |
|------|-------------|------|-----------------------------------|------|-------------|------|-----------------------------------|
| 32 | 21-7770 | 5 | Screw-Gear, Drive | 38 | 21-8090 | 1 | Shim-Bearing, Differential (.003) |
| 33 | 21-7670 | 1 | Case-Differential | 39 | 72-9420 | 1 | Vent |
| 34 | 108-1422-03 | 1 | Lower Housing ASM | 40 | 83-4910 | 1 | Coupler-Pinion |
| 35 | 21-8120 | 1 | Shim-Bearing, Differential (.030) | 41 | 71-4330 | 1 | Seal |
| 36 | 21-8110 | 1 | Shim-Bearing, Differential (.010) | 42 | 93-3618 | 1 | Gear And Pinion ASM |
| 37 | 21-8100 | 1 | Shim-Bearing, Differential (.005) | 43 | 93-3617 | 1 | Cover And Carrier Kit |



Brake Assembly

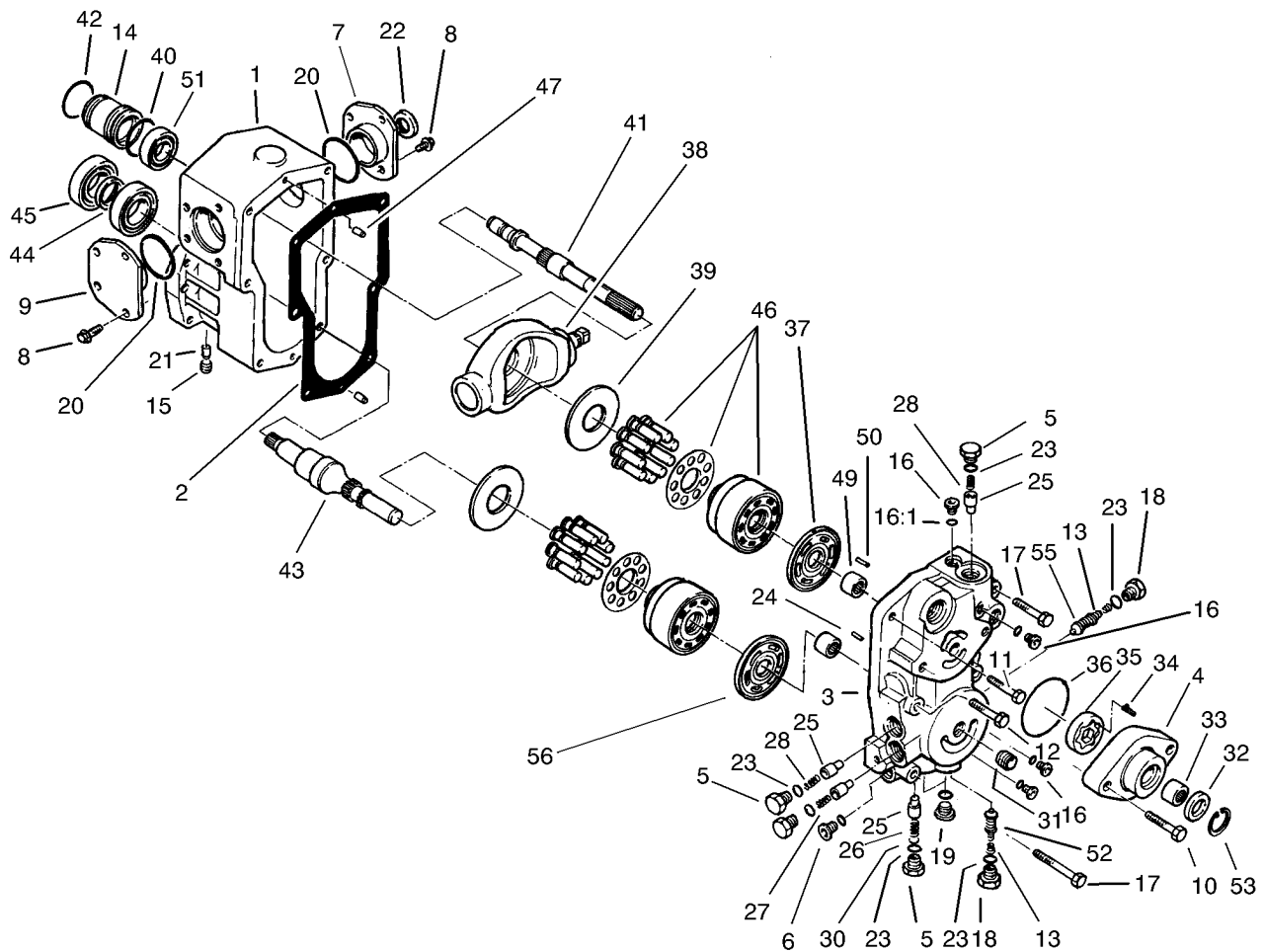
| Ref. | Part Number | Qty. | Description | Ref. | Part Number | Qty. | Description |
|------|-------------|------|-------------------------|------|-------------|------|-------------------------|
| 1 | 108-1424 | 1 | Shaft-Axle, LH | 14 | 21-9440 | 2 | Spring-Screw, Adjusting |
| 1 | 108-1425 | 1 | Shaft-Axle, RH | 15 | 21-9460 | 4 | Retainer-Lever, Brake |
| 2 | 100-3842 | 2 | Seal-Oil | 16 | 84-8590 | 4 | Shoe And Lining ASM |
| 3 | 108-1426 | 2 | Cap-Bearing | 17 | 21-9420 | 2 | Spring-Return, LH |
| 4 | 100-3843 | 2 | Shield-Dust | 18 | 21-9430 | 2 | Spring-Return, RH |
| 5 | 100-3844 | 2 | Spider-Torque | 19 | 24-9180 | 2 | Strut And Lever ASM |
| 6 | 21-9390 | 2 | Socket-Screw, Adjusting | 21 | 100-3846 | 8 | Screw-Special |
| 7 | 21-9370 | 2 | Screw-Adjusting | 22 | 100-3847 | 2 | Retainer-Bearing |
| 8 | 21-9380 | 2 | Nut-Pivot | 23 | 108-1427 | 2 | Ring-Spiral |
| 9 | 106-9205 | 10 | Stud-Wheel | 24 | 108-1428 | 2 | Bearing ASM |
| 10 | 21-8360 | 2 | Clip-Retaining | 25 | 100-3850 | 2 | Zerk-Special |
| 11 | 106-9209-03 | 2 | Drum-Brake | 26 | 84-8600 | 1 | Set-Shoes, Lined ● |
| 13 | 100-3845 | 2 | Seal-Grease | 27 | 92-8775 | 1 | Liquid Gasket Kit ● |

● Not illustrated



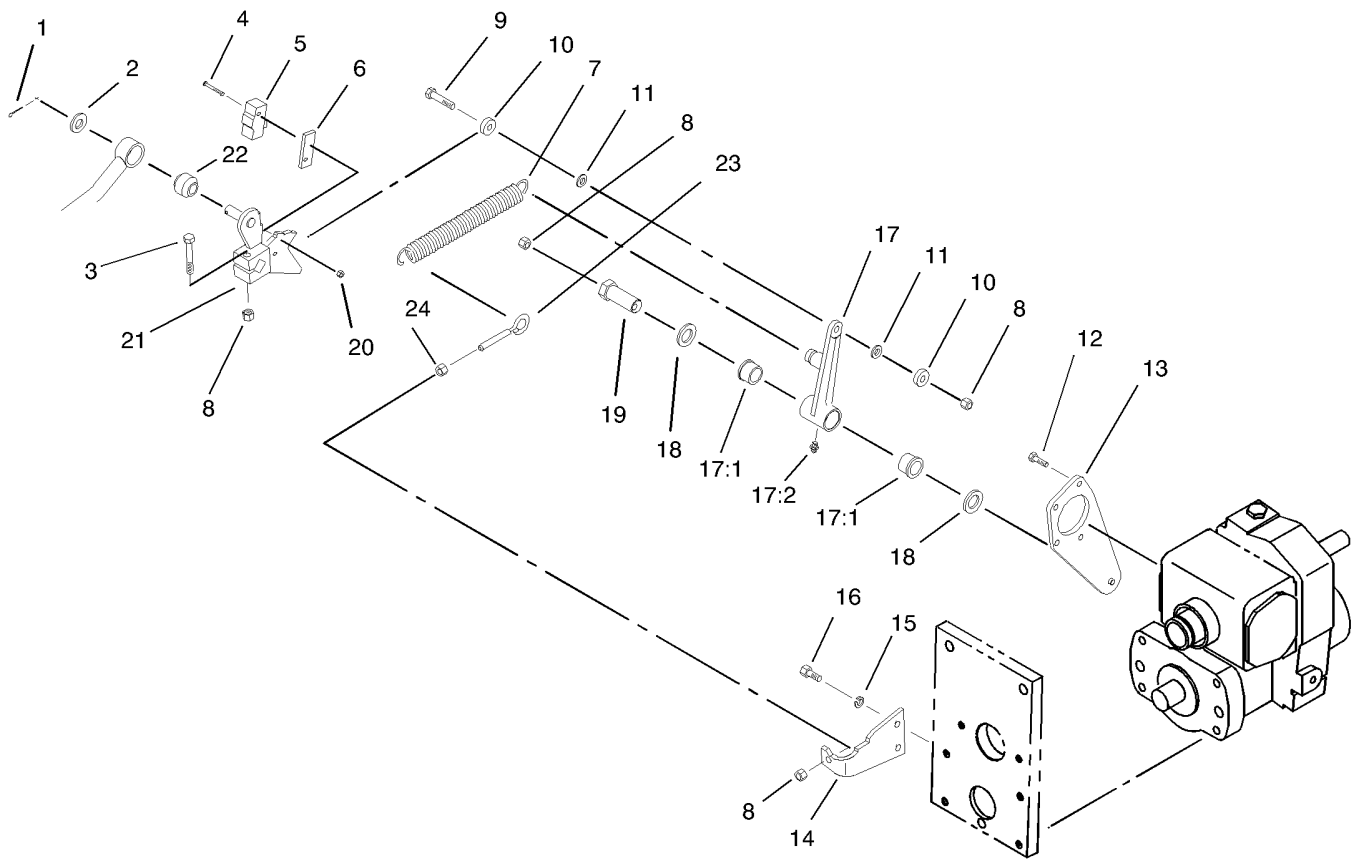
Transmission Assembly

| Ref. | Part Number | Qty. | Description | Ref. | Part Number | Qty. | Description |
|------|-------------|------|--------------------------|------|-------------|------|---------------------|
| 1 | 92-4846 | 1 | Transmission Support ASM | 11:1 | 237-81 | 1 | O-Ring |
| 1:1 | 75-3110 | 1 | Collar-Transmission | 12 | 2412-129 | 2 | Clamp-Hose |
| 1:2 | 92-4808 | 1 | Sleeve-Transmission | 13 | 75-6350 | 1 | Hose |
| 1:3 | 92-4809 | 1 | Support-Transmission | 15 | 75-6340-03 | 1 | Filter |
| 2 | 325-7 | 2 | Screw-HH | 16 | 354-75 | 1 | Fitting-HYD, 90 DEG |
| 3 | 93-0075 | 1 | Hose ASM | 16:1 | 237-81 | 1 | O-Ring |
| 4 | 354-72 | 1 | Fitting-HYD | 17 | 75-1330 | 1 | Element-Filter |
| 5 | 340-3 | 2 | Adapter | 18 | 323-12 | 2 | Screw-HH |
| 5:1 | 237-22 | 1 | O-Ring | 19 | 3253-21 | 2 | Washer-Lock |
| 5:2 | 237-79 | 1 | O-Ring | 20 | 75-0012 | 1 | Transmission |
| 6 | 93-0076 | 1 | Hose ASM | 21 | 3296-39 | 2 | Nut-Lock, NI |
| 7 | 3296-23 | 2 | Nut-Lock, NI | 22 | 237-161 | 1 | O-Ring |
| 9 | 354-77 | 1 | Fitting-Quick | 23 | 86-7220 | 1 | Gear-Pinion |
| 9:1 | 237-78 | 1 | O-Ring | 24 | 32151-62 | 1 | Ring-Retaining |
| 10 | 354-79 | 1 | Cap-Dust | 25 | 323-20 | 2 | Screw-HH |
| 11 | 75-4720 | 1 | Fitting-Line, Suction | | | | |



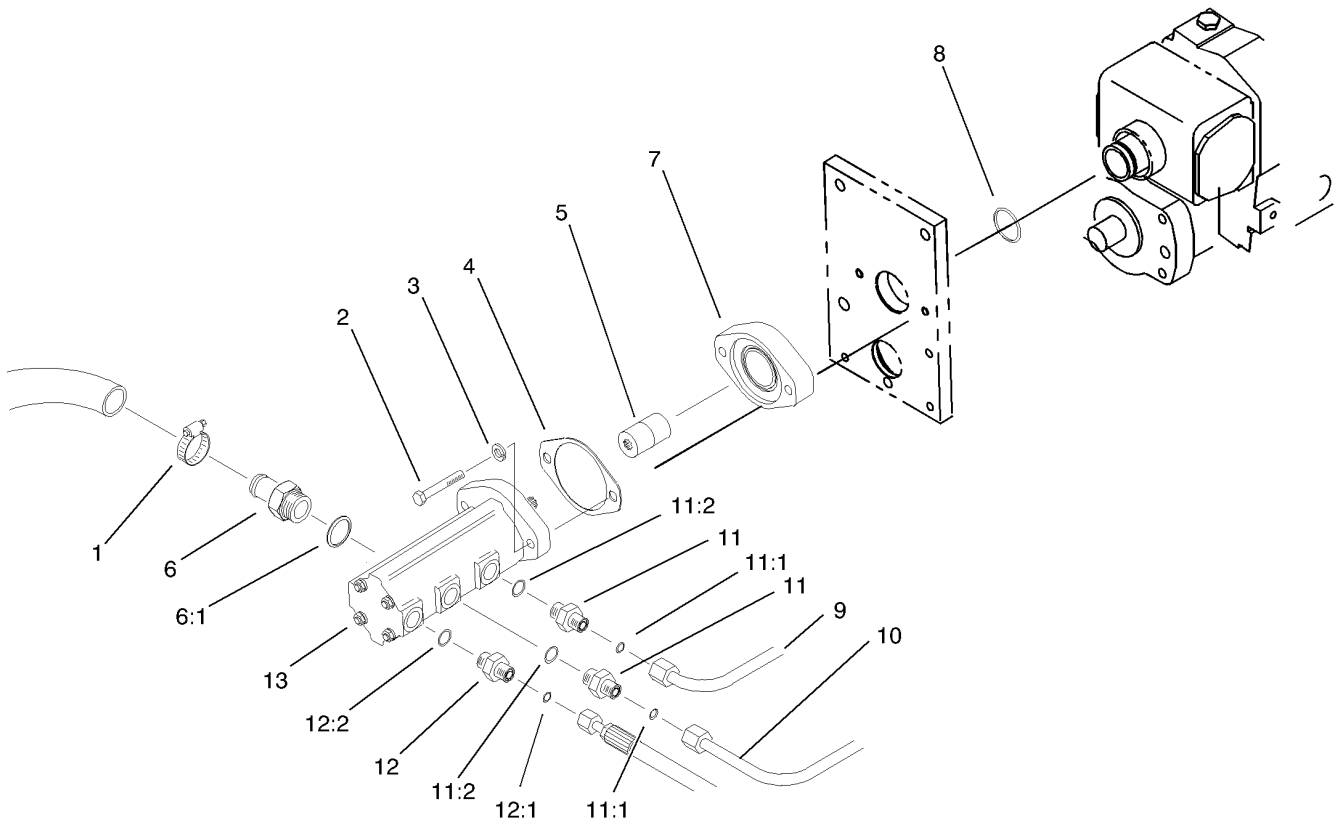
Transmission Assembly No. 75-0012

| Ref. | Part Number | Qty. | Description | Ref. | Part Number | Qty. | Description |
|------|-------------|------|-----------------------|------|-------------|------|--------------------|
| 1 | 75-0020 | 1 | Housing | 27 | 75-0280 | 1 | Spring |
| 2 | 75-0030 | 1 | Gasket-Housing | 28 | 75-0290 | 2 | Spring |
| 3 | 75-0040 | 1 | Section-Center | 30 | 75-0310 | 1 | Shim |
| 4 | 83-4780 | 1 | Housing-Pump, Charge | 31 | 75-0320 | 1 | Nipple |
| 5 | 75-0060 | 4 | Plug | 32 | 75-0330 | 1 | Seal-Lip |
| 6 | 75-0070 | 1 | Plug | 33 | 75-0340 | 1 | Bearing-Needle |
| 7 | 86-7520 | 1 | RH Trunnion Cover ASM | 34 | 75-0350 | 1 | Pin |
| 8 | 75-0090 | 8 | Capscrew-HH | 35 | 75-0360 | 1 | Gerotor |
| 9 | 86-7530 | 1 | LH Trunnion Cover ASM | 36 | 75-0370 | 1 | O-Ring |
| 10 | 75-0110 | 2 | Capscrew-HH | 37 | 75-0380 | 1 | Plate-Valve |
| 11 | 75-0120 | 1 | Capscrew-HH | 38 | 75-0390 | 1 | Plate-Swash |
| 12 | 75-0130 | 3 | Capscrew-HH | 39 | 75-0400 | 2 | Plate-Thrust |
| 13 | 75-0140 | 2 | Spring-Conical | 40 | 75-0410 | 1 | O-Ring |
| 14 | 75-0150 | 1 | Guide-Seal | 41 | 86-7540 | 1 | Shaft-Pump |
| 15 | 75-0160 | 1 | Plug-Pipe | 42 | 75-0430 | 1 | Ring-Retaining |
| 16 | 75-0170 | 4 | Plug-Thread, Straight | 43 | 75-0440 | 1 | Shaft-Motor |
| 16:1 | 92-8777 | 1 | O-Ring | 44 | 75-0450 | 1 | Collar |
| 17 | 75-0180 | 2 | Capscrew-HH | 45 | 75-0460 | 2 | Bearing-Ball |
| 18 | 75-0190 | 2 | Plug-Special | 46 | 75-0470 | 2 | Cylinder Block Kit |
| 19 | 75-0200 | 2 | Plug-Thread, Straight | 47 | 75-0480 | 2 | Pin |
| 20 | 75-0210 | 2 | O-Ring | 49 | 75-0500 | 2 | Bearing-Needle |
| 21 | 75-0220 | 2 | Pin | 50 | 75-0510 | 1 | Pin |
| 22 | 75-0230 | 1 | Seal-Lip | 51 | 75-0520 | 1 | Bearing-Ball |
| 23 | 75-0240 | 6 | O-Ring | 52 | 75-6930 | 1 | Valve-Screw |
| 24 | 75-0250 | 1 | Spring | 53 | 32120-74 | 1 | Ring-Snap |
| 25 | 75-0260 | 4 | Valve-Relief | 55 | 93-0097 | 1 | Valve-Screw |
| 26 | 75-0270 | 1 | Spring | 56 | 93-0083 | 1 | Plate-Valve |



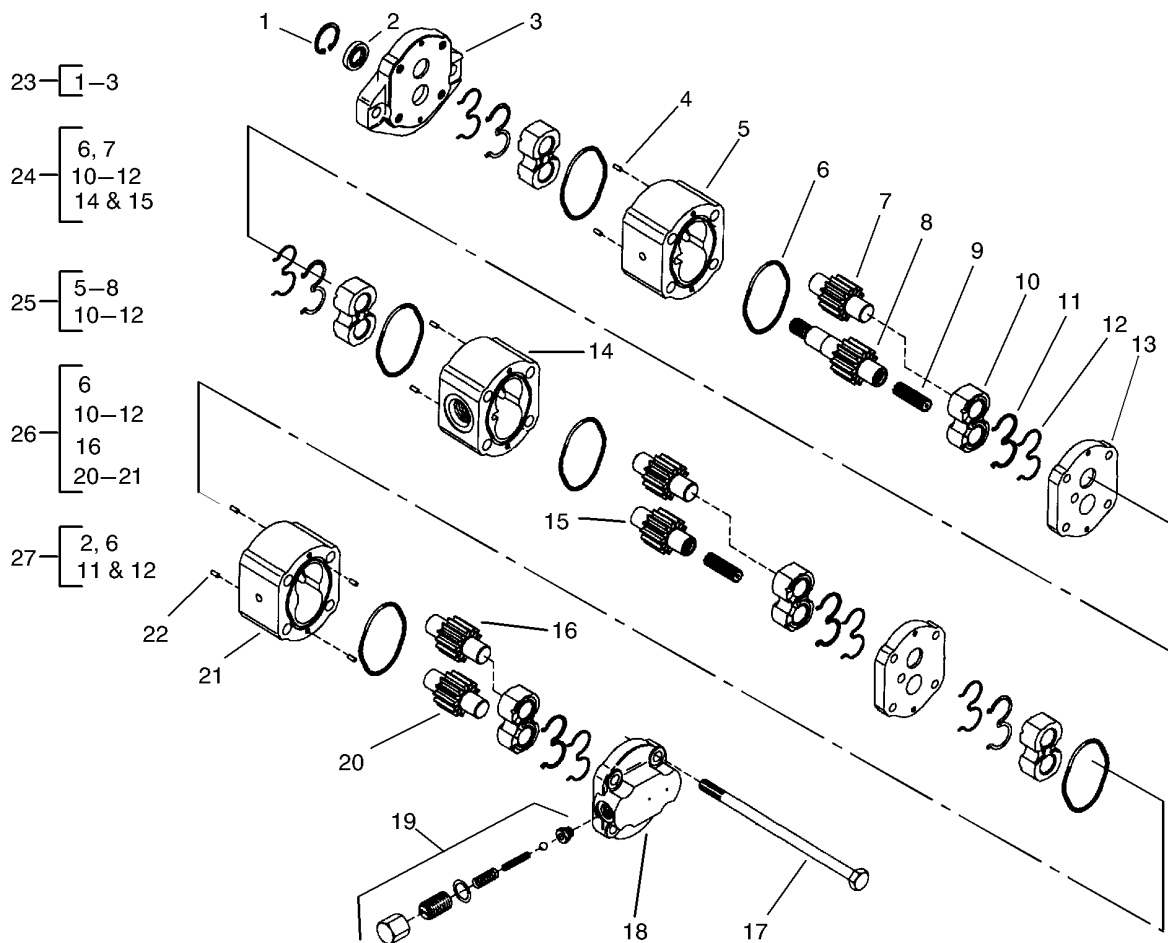
Traction Control Assembly

| <i>Ref.</i> | <i>Part Number</i> | <i>Qty.</i> | <i>Description</i> | <i>Ref.</i> | <i>Part Number</i> | <i>Qty.</i> | <i>Description</i> |
|-------------|--------------------|-------------|--------------------|-------------|--------------------|-------------|------------------------|
| 1 | 3272-10 | 1 | Pin-Cotter | 14 | 85-9900-03 | 1 | Plate-Anchor, Spring |
| 2 | 3256-26 | 1 | Washer-Flat | 15 | 3253-4 | 2 | Washer-Lock |
| 3 | 322-10 | 1 | Screw-HH | 16 | 322-3 | 2 | Screw-HH |
| 4 | 32105-21 | 2 | Screw-HH | 17 | 92-2581 | 1 | Neutral Switch Arm ASM |
| 5 | 29-6162 | 1 | Switch-Micro | 17:1 | 256-113 | 2 | Bushing-Flange |
| 6 | 75-4130 | 1 | Plate-Switch | 17:2 | 302-5 | 1 | Fitting-Grease |
| 7 | 76-9430-03 | 1 | Spring-Extention | 18 | 3-6498 | 2 | Washer-Thrust |
| 8 | 3296-29 | 4 | Nut-Lock, NI | 19 | 76-8640 | 1 | Stud-Traction |
| 9 | 322-7 | 1 | Screw-HH | 20 | 3296-9 | 2 | Nut-Lock |
| 10 | 251-307 | 2 | Bearing-Ball | 21 | 75-4100-03 | 1 | Control-Pump |
| 11 | 75-5470 | 2 | Spacer-Bearing | 22 | 23-2270 | 1 | Bushing-Rubber |
| 12 | 321-5 | 4 | Screw-HH | 23 | 85-9910 | 1 | Eyebolt |
| 13 | 104-1480-03 | 1 | Traction Plate ASM | 24 | 3217-6 | 1 | Nut-Hex |



Gear Pump Installation Assembly

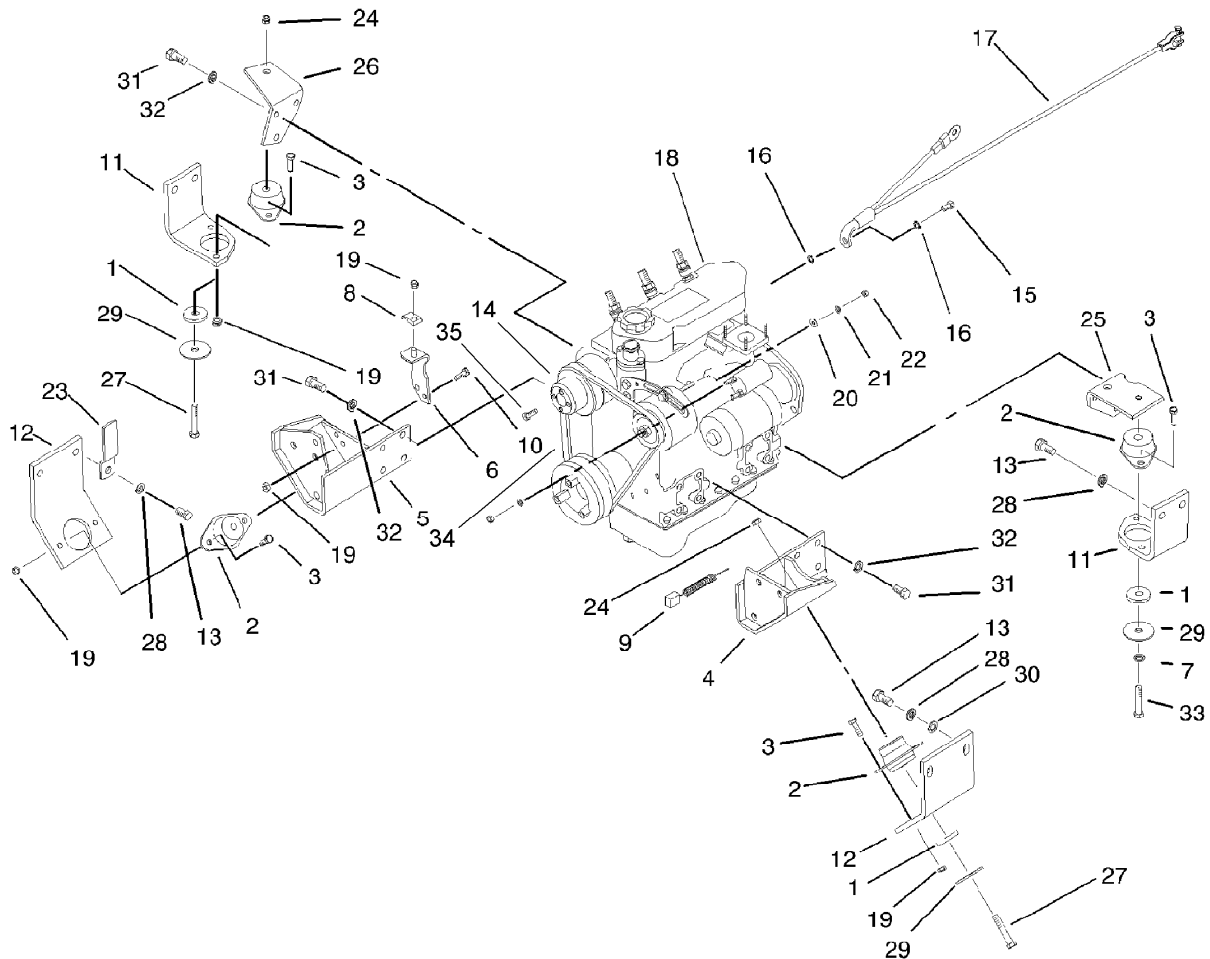
| <i>Ref.</i> | <i>Part Number</i> | <i>Qty.</i> | <i>Description</i> |
|-------------|--------------------|-------------|-----------------------|
| 1 | 2412-34 | 1 | Clamp-Hose |
| 2 | 323-12 | 2 | Screw-HH |
| 3 | 3253-5 | 2 | Washer-Lock |
| 4 | 93-3604 | 1 | Gasket |
| 5 | 93-1396 | 1 | Coupler |
| 6 | 354-78 | 1 | Connector-Hose |
| 6:1 | 237-146 | 1 | O-Ring |
| 7 | 75-4400-03 | 1 | Adaptor |
| 8 | 237-163 | 1 | O-Ring |
| 9 | 93-3642 | 1 | Tube-Pump, Port 1 |
| 10 | 93-3643 | 1 | Tube-Pump, Port 2 |
| 11 | 340-4 | 2 | Fitting-HYD, Straight |
| 11:1 | 237-30 | 1 | O-Ring |
| 11:2 | 237-79 | 1 | O-Ring |
| 12 | 340-3 | 1 | Adapter |
| 12:1 | 237-22 | 1 | O-Ring |
| 12:2 | 237-79 | 1 | O-Ring |
| 13 | 98-9796 | 1 | Pump-Gear |



Gear Pump Assembly No. 98-9796

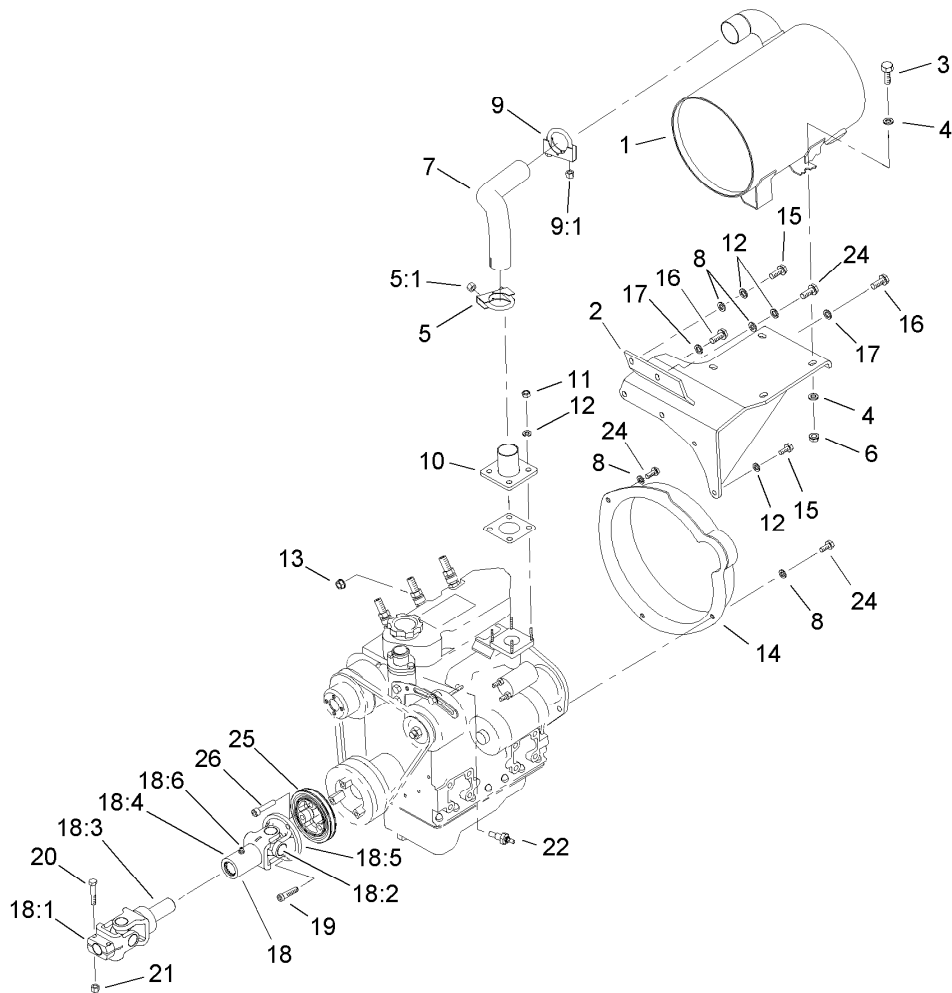
| Ref. | Part Number | Qty. | Description | Ref. | Part Number | Qty. | Description |
|------|-------------|------|------------------|------|-------------|------|-----------------------|
| 1 | | 1 | Ring-Retaining ● | 15 | | 1 | Gear-Idler ● |
| 2 | | 1 | Seal-Shaft ● | 16 | | 1 | Gear-Idler ● |
| 3 | | 1 | Flange ● | 17 | 93-4283 | 4 | Bolt |
| 4 | 93-4278 | 4 | Pin-Dowel | 18 | 93-4282 | 1 | Block-Valve |
| 5 | | 1 | Housing ● | 19 | 93-4277 | 1 | Valve Kit |
| 6 | | 2 | Seal-Dust ● | 20 | | 1 | Gear-Idler ● |
| 7 | | 1 | Gear-Idler ● | 21 | | 1 | Housing ● |
| 8 | | 1 | Gear-Drive ● | 22 | 93-4281 | 4 | Pin-Dowel |
| 9 | 93-4280 | 2 | Coupling | 23 | 93-4268 | 1 | Flange Kit |
| 10 | | 2 | Bearing ● | 24 | 98-9798 | 1 | Section 1 Housing Kit |
| 11 | | 2 | E-Seal ● | 25 | 98-9797 | 1 | Section 2 Housing Kit |
| 12 | | 2 | Ring-Backup ● | 26 | 98-9799 | 1 | Section 3 Housing Kit |
| 13 | 93-4279 | 2 | Plate-Distance | 27 | 99-8353 | 1 | Individual Pieces Kit |
| 14 | | 1 | Housing ● | | | | |

● Not serviced separately



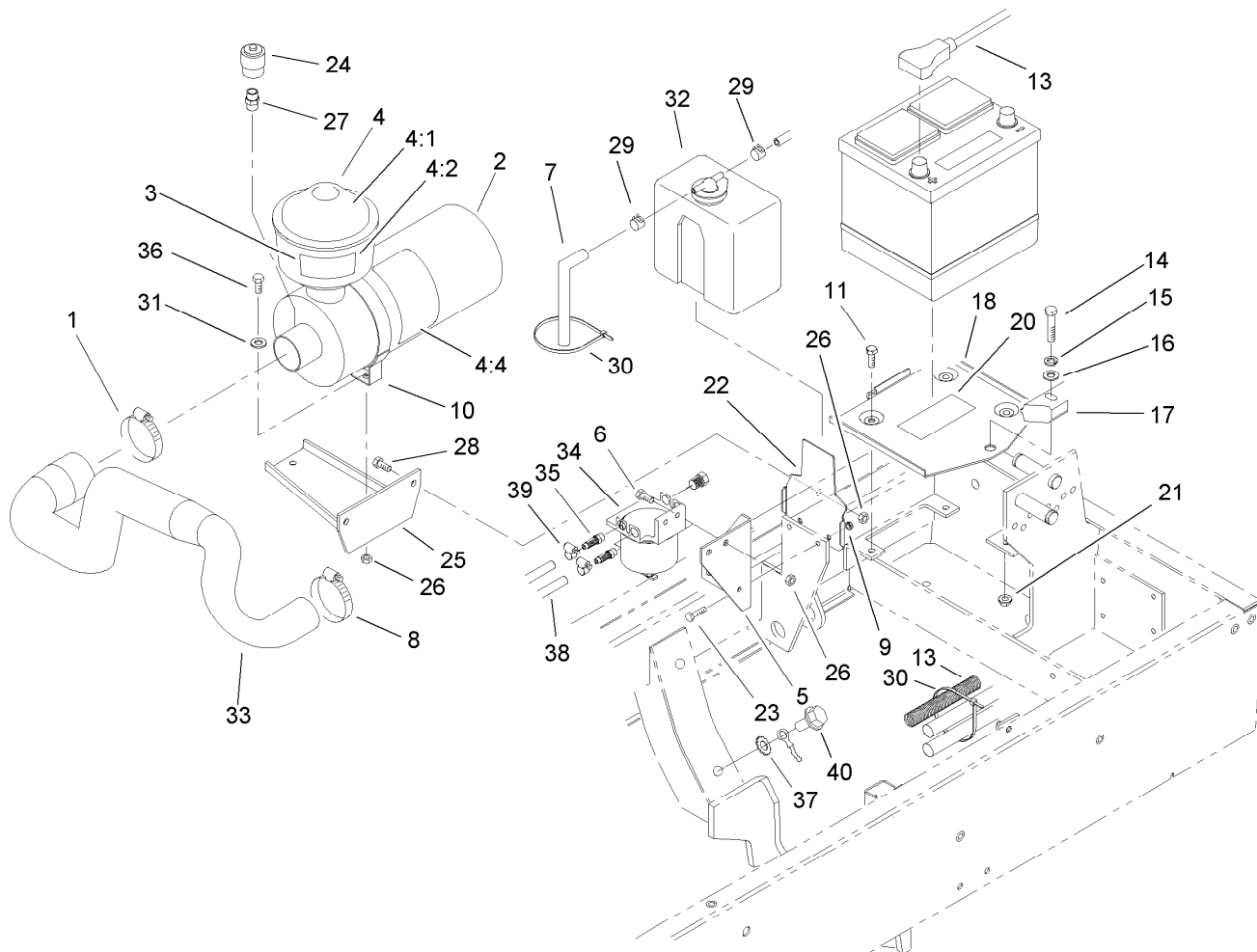
Engine Installation Assembly

| <i>Ref.</i> | <i>Part Number</i> | <i>Qty.</i> | <i>Description</i> | <i>Ref.</i> | <i>Part Number</i> | <i>Qty.</i> | <i>Description</i> |
|-------------|--------------------|-------------|----------------------------|-------------|--------------------|-------------|-------------------------|
| 1 | 83-1050 | 4 | Spacer | 19 | 3296-29 | 11 | Nut-Lock, NI |
| 2 | 83-1030 | 4 | Mount-Engine | 20 | 3256-78 | 1 | Washer-Flat |
| 3 | 322-5 | 8 | Screw-HH | 21 | 43-5930 | 1 | Washer-Lock, Spring |
| 4 | 98-4539-03 | 1 | Bracket-Engine Mount, LH | 22 | 48-7890 | 1 | Nut-Hex |
| 5 | 98-4543-03 | 1 | Bracket-Engine Mount, RH | 23 | 98-4594 | 1 | Clamp-Retainer |
| 6 | 98-9749 | 1 | Plate-Throttle | 24 | 32128-36 | 3 | Nut-HF |
| 7 | 3253-21 | 1 | Washer-Lock | 25 | 98-4515-03 | 1 | Bracket-Rear Engine, LH |
| 8 | 3-6657 | 1 | Clip-Skid | 26 | 98-4514-03 | 1 | Bracket-Rear Engine, RH |
| 9 | 99-3441 | 1 | Harness-Wire, Fusible Link | 27 | 323-12 | 3 | Screw-HH |
| 10 | 322-4 | 2 | Screw-HH | 28 | 3253-7 | 8 | Washer-Lock |
| 11 | 98-4513-03 | 2 | Bracket-Engine, Rear | 29 | 87-5100 | 4 | Washer-Snubbing |
| 12 | 93-0095-03 | 2 | Bracket-Engine, Front | 30 | 3256-40 | 4 | Washer-Flat |
| 13 | 3213-2 | 8 | Screw-HH | 31 | 43-0090 | 14 | Screw-HH |
| 14 | 98-9584 | 1 | Pulley-Fan | 32 | 42-9600 | 14 | Washer-Lock, Spring |
| 15 | 98-9322 | 1 | Screw-HSH | 33 | 323-10 | 1 | Screw-HH |
| 16 | 3255-9 | 2 | Washer-Lock | 34 | 98-9676 | 1 | V-Belt |
| 17 | 98-4598 | 1 | Cable-Battery, Negative | 35 | 81-1280 | 4 | Screw-HHF |
| 18 | 106-7777 | 1 | Engine ASM | | | | |



Muffler and Pump Drive Assembly

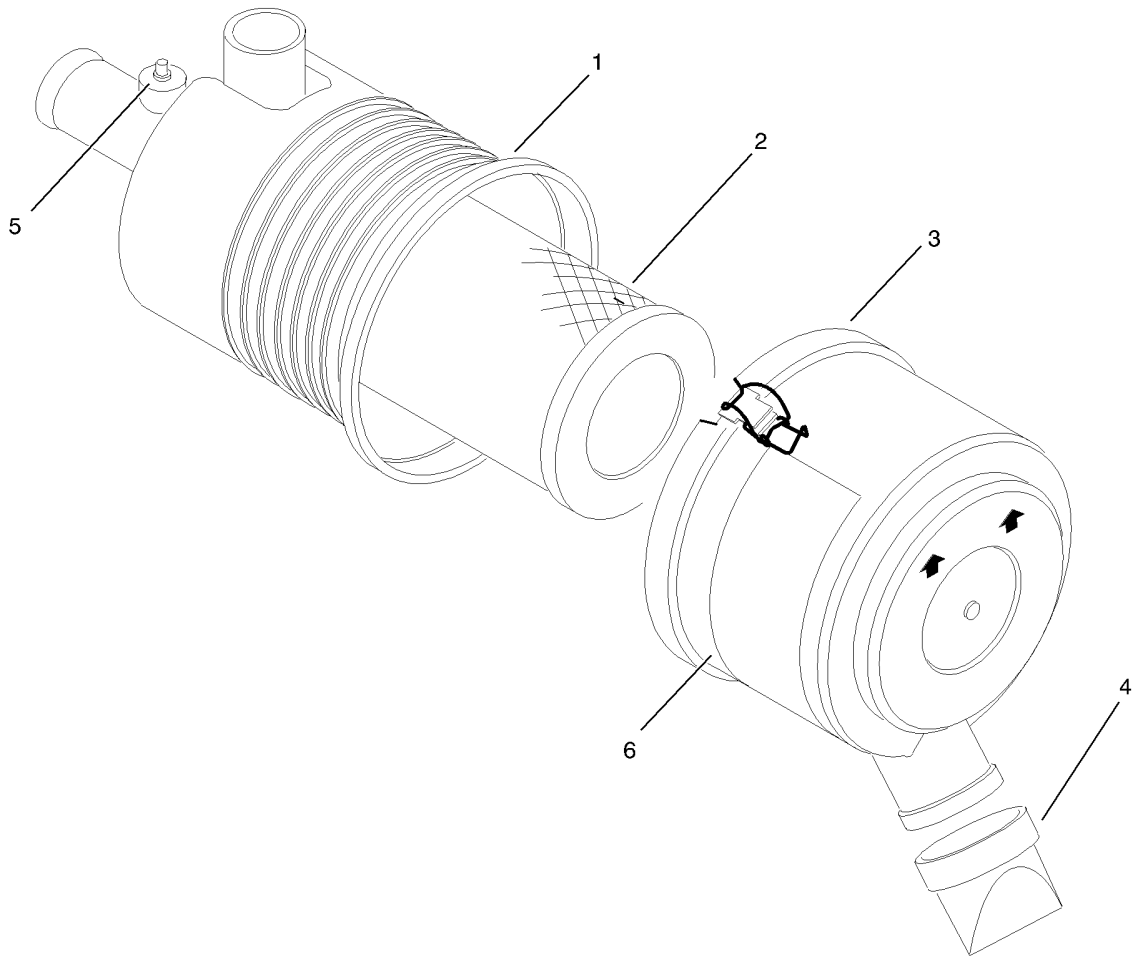
| Ref. | Part Number | Qty. | Description | Ref. | Part Number | Qty. | Description |
|------|-------------|------|----------------------|------|-------------|------|-----------------------|
| 1 | 107-2379 | 1 | Muffler-Exhaust | 16 | 43-0090 | 2 | Screw-HH |
| 2 | 98-4555-03 | 1 | Muffler Bracket ASM | 17 | 42-9600 | 2 | Washer-Lock, Spring |
| 3 | 323-7 | 4 | Screw-HH | 18 | 106-7751 | 1 | Driveshaft ASM |
| 4 | 3256-4 | 8 | Washer-Flat | 18:1 | 54-9040 | 1 | Yoke-End |
| 5 | 2112-9 | 1 | Clamp | 18:2 | 100-2356 | 2 | Cross And Bearing Kit |
| 5:1 | 32128-20 | 2 | Nut-HF | 18:3 | 108-0632 | 1 | Yoke And Shaft ASM |
| 6 | 3296-39 | 4 | Nut-Lock, NI | 18:4 | 108-0633 | 1 | Yoke-Telescoping |
| 7 | 98-9745 | 1 | Tube-Exhaust | 18:5 | 108-0644 | 1 | Yoke |
| 8 | 3256-23 | 5 | Washer-Flat | 18:6 | 302-5 | 1 | Fitting-Grease |
| 9 | 2112-6 | 1 | Clamp-Muffler | 19 | 98-9322 | 3 | Screw-HSH |
| 9:1 | 3218-2 | 2 | Nut-Jam | 20 | 322-9 | 2 | Screw-HH |
| 10 | 98-4527 | 1 | Pipe-Exhaust, Engine | 21 | 3296-29 | 2 | Nut-Lock, NI |
| 11 | 33014-00 | 4 | Nut-Hex | 22 | 98-9346 | 1 | Sender-Temperature |
| 12 | 42-9850 | 7 | Washer-Lock, Spring | 24 | 33114-020 | 4 | Screw-HH |
| 13 | 33024-00 | 1 | Nut-Lock, NI | 25 | 106-7756 | 1 | Pulley |
| 14 | 105-7505 | 1 | Guard-Flywheel | 26 | 3274-106 | 3 | Screw-HSH |
| 15 | 33114-025 | 3 | Screw-HH | | | | |



Engine Component Assembly

| Ref. | Part Number | Qty. | Description | Ref. | Part Number | Qty. | Description |
|------|-------------|------|-------------------------|------|-------------|------|--------------------------|
| 1 | 2412-42 | 1 | Clamp-Hose | 21 | 32128-20 | 1 | Nut-HF |
| 2 | 98-4517 | 1 | Air Cleaner ASM | 22 | 98-4576-03 | 1 | Bracket-Reservoir, Water |
| 3 | 93-6692 | 1 | Decal-Fluid, Starting | 23 | 321-5 | 2 | Screw-HH |
| 4 | 48-7430 | 1 | Precleaner | 24 | 93-9164 | 1 | Indicator-Mini |
| 4:1 | 33-1260 | 1 | Cover ASM | 25 | 98-4518-03 | 1 | Bracket-Cleaner, Air |
| 4:2 | 33-1270 | 1 | Bowl-Clear | 26 | 3296-29 | 6 | Nut-Lock, NI |
| 4:3 | 62-6300 | 1 | Sleeve ASM ● | 27 | 94-1416 | 1 | Adapter-Indicator |
| 4:4 | 94-6873 | 1 | Clamp | 28 | 322-5 | 2 | Screw-HH |
| 5 | 98-4578-03 | 1 | Bracket-Filter, Fuel | 29 | 92-2379 | 2 | Clamp-Hose |
| 6 | 3234-29 | 2 | Screw-HHF | 30 | 3290-378 | 2 | Tie-Cable |
| 7 | 63-7630 | 1 | Hose-Fuel | 31 | 3256-23 | 2 | Washer-Flat |
| 8 | 2412-92 | 1 | Clamp-Hose | 32 | 104-9318 | 1 | Overflow Bottle ASM |
| 9 | 32128-33 | 2 | Nut-HF | 33 | 98-4510 | 1 | Hose-Cleaner, Air |
| 10 | 98-4525 | 1 | Bracket-Cleaner, Air | 34 | 98-9305 | 1 | Water / Fuel Filter ASM |
| 11 | 322-4 | 3 | Screw-HH | 35 | 353-783 | 2 | Fitting-Straight |
| 13 | 104-0086 | 1 | Cable-Battery, Positive | 36 | 322-6 | 2 | Screw-HH |
| 14 | 323-9 | 1 | Screw-HH | 37 | 3255-8 | 1 | Washer-Lock |
| 15 | 3253-21 | 1 | Washer-Lock | 38 | 63-7622 | 1 | Hose-Fuel |
| 16 | 3256-24 | 1 | Washer-Flat | 39 | 2412-108 | 4 | Clamp-Worm |
| 17 | 66-2490 | 1 | Retainer-Battery | 40 | 32144-14 | 1 | Screw-HWHTF |
| 18 | 94-7343 | 1 | Battery Base ASM | 99 | 3290-379 | 1 | Tie-Cable ● |
| 20 | 93-7276 | 1 | Decal-Danger | | | | |

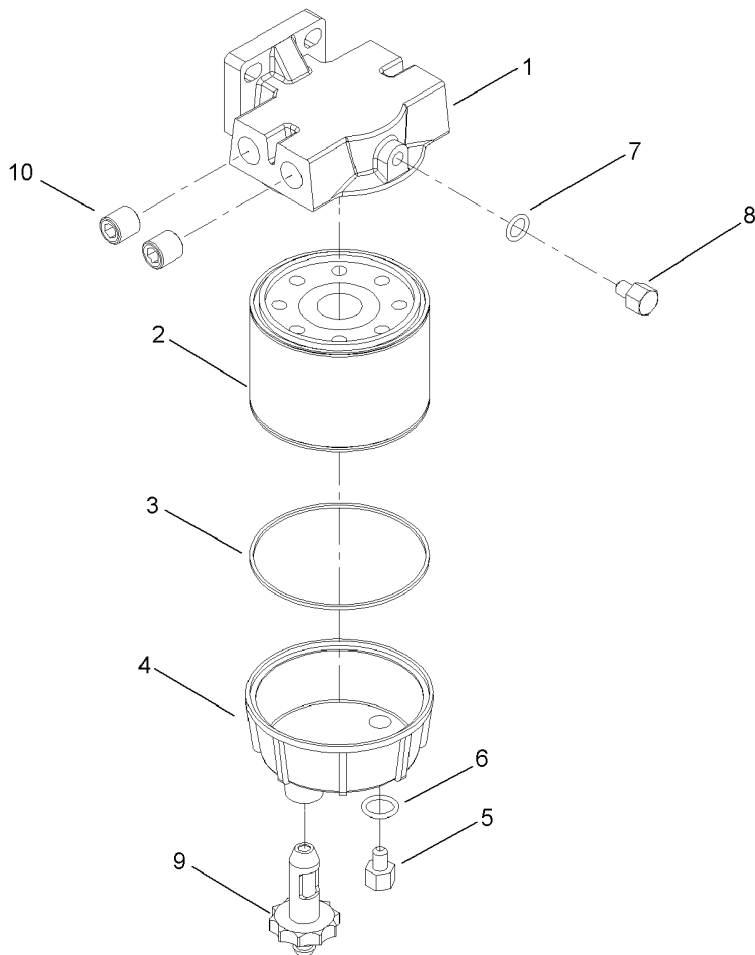
● Not illustrated



Air Cleaner Assembly No. 98-4517

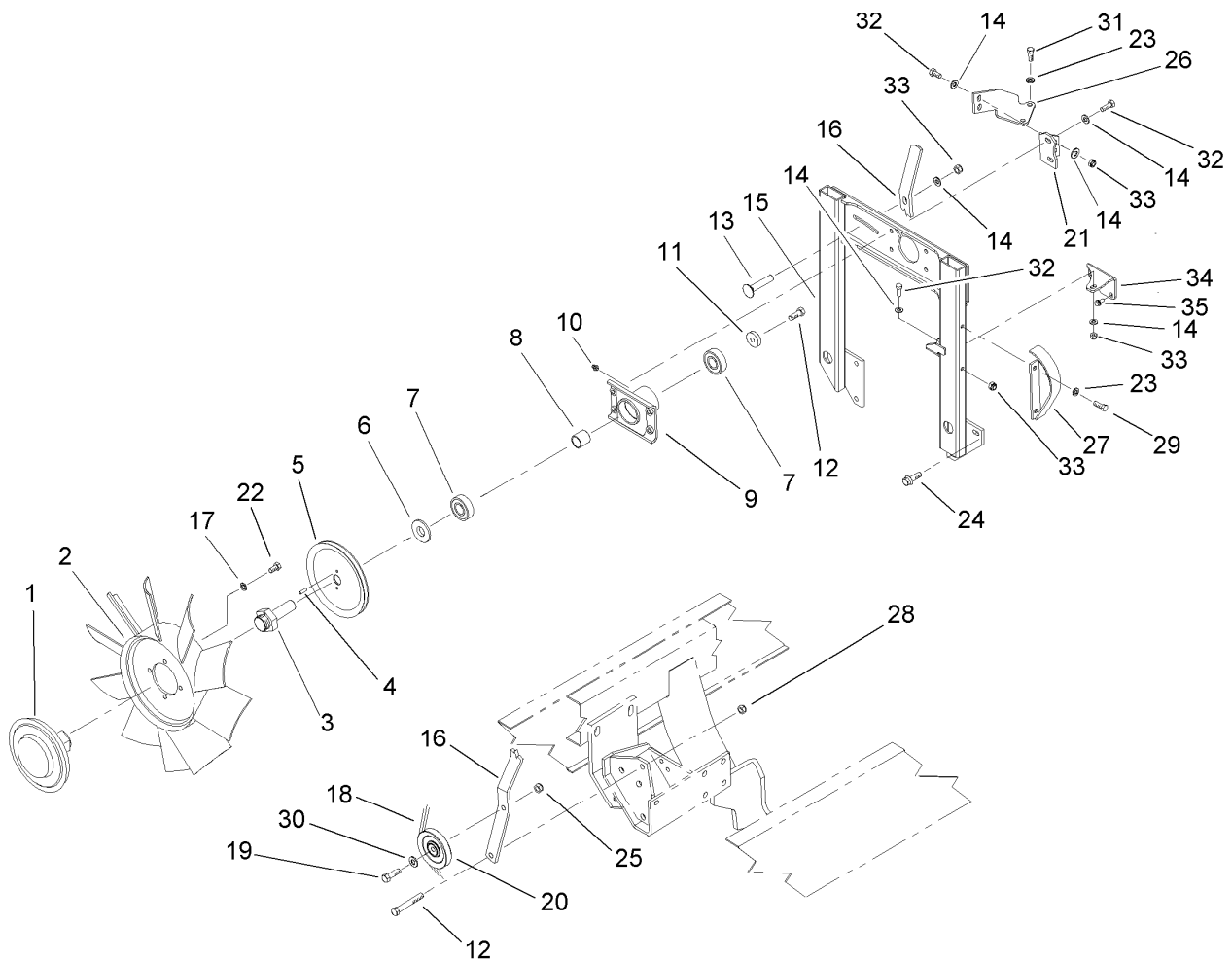
| <i>Ref.</i> | <i>Part Number</i> | <i>Qty.</i> | <i>Description</i> |
|-------------|--------------------|-------------|--------------------|
| 1 | | 1 | Body ASM ● |
| 2 | 98-9763 | 1 | Element ASM |
| 3 | 98-9771 | 1 | Cover ASM |
| 4 | 87-9400 | 1 | Valve-Vacuator |
| 5 | | 1 | Plug ● |
| 6 | 98-9788 | 1 | Decal-Instruction |

● Not serviced separately



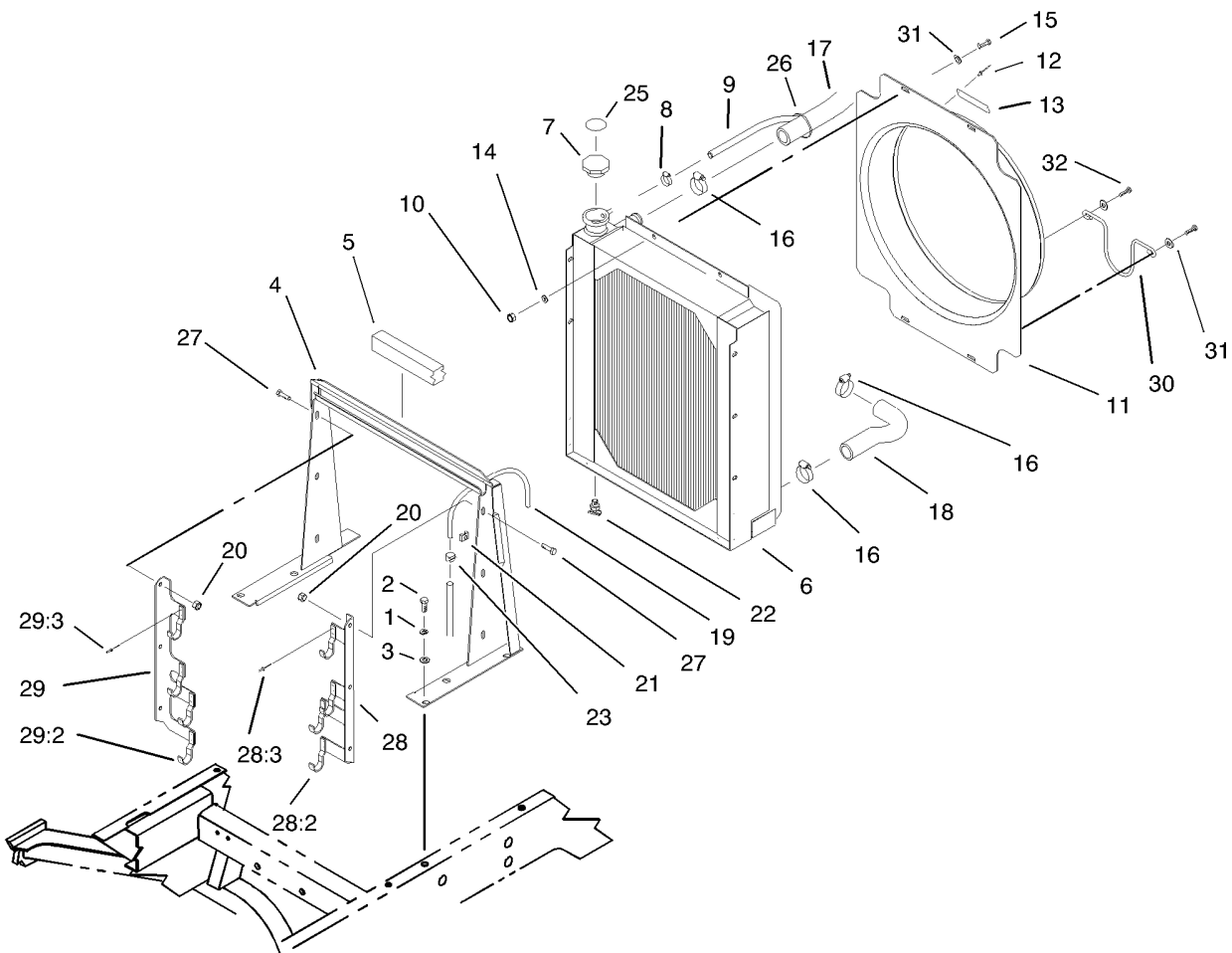
Water and Fuel Filter Assembly No. 98-9305

| <i>Ref.</i> | <i>Part Number</i> | <i>Qty.</i> | <i>Description</i> |
|-------------|--------------------|-------------|--------------------|
| 1 | 98-9772 | 1 | Head-Filter |
| 2 | 98-9764 | 1 | Element |
| 3 | 98-9774 | 1 | O-Ring |
| 4 | 98-9775 | 1 | Base-Filter |
| 5 | 98-9773 | 1 | Plug-Base, Filter |
| 6 | 237-42 | 1 | O-Ring |
| 7 | 237-78 | 1 | O-Ring |
| 8 | 98-9776 | 1 | Plug-Head, Filter |
| 9 | 98-9777 | 1 | Drain Valve ASM |
| 10 | 285-22 | 2 | Plug-Pipe |



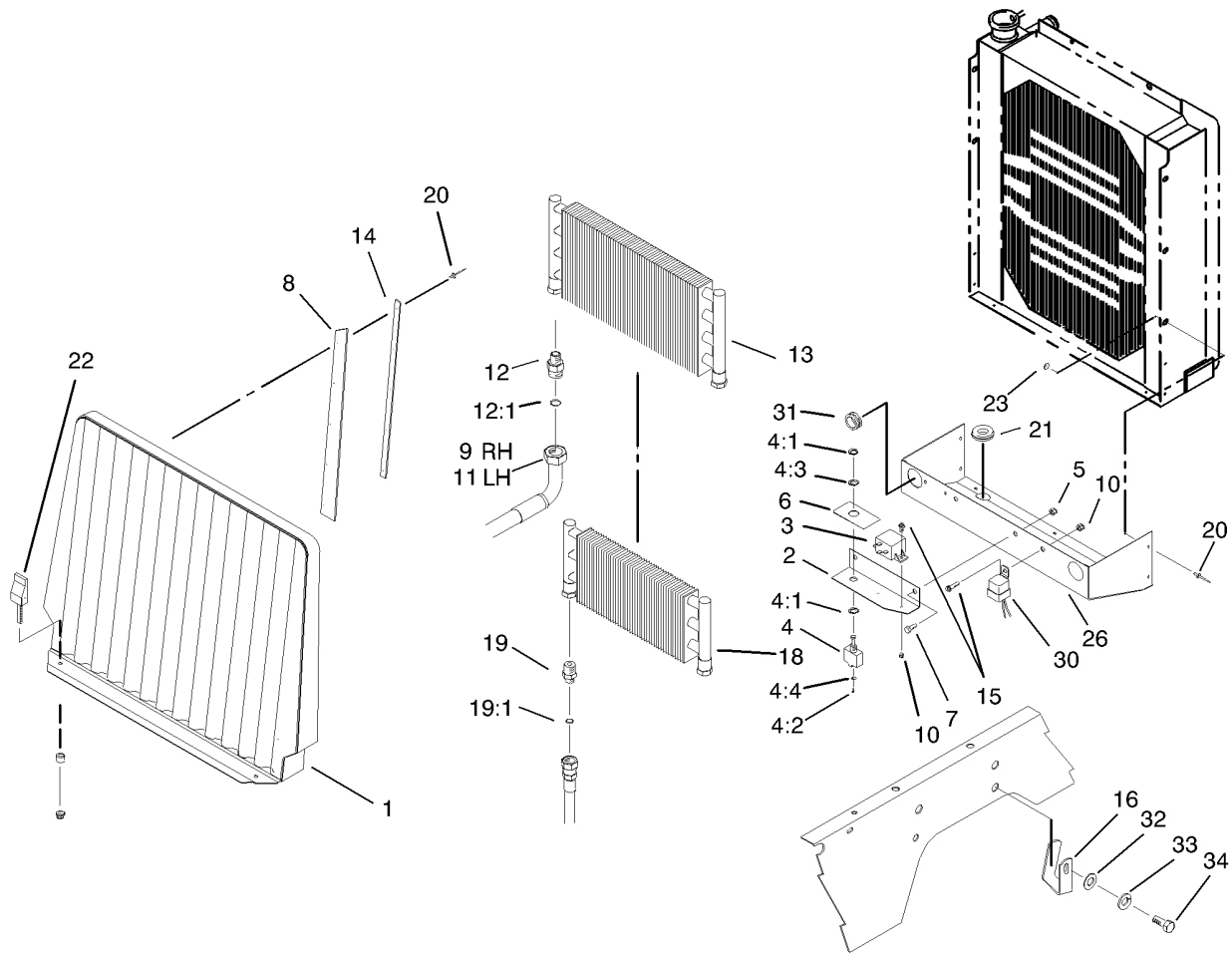
Fan Drive Assembly

| <i>Ref.</i> | <i>Part Number</i> | <i>Qty.</i> | <i>Description</i> | <i>Ref.</i> | <i>Part Number</i> | <i>Qty.</i> | <i>Description</i> |
|-------------|--------------------|-------------|--------------------|-------------|--------------------|-------------|----------------------|
| 1 | 74-5520 | 1 | Clutch-Fan | 19 | 323-8 | 1 | Screw-HH |
| 2 | 75-3780 | 1 | Fan-Engine | 20 | 63-8140 | 1 | Pulley-Idler |
| 3 | 75-6380 | 1 | Shaft-Fan | 21 | 98-9740 | 1 | Bracket-Fan, Support |
| 4 | 104-9312 | 2 | Pin-Grooved | 22 | 322-2 | 4 | Screw-HH |
| 5 | 98-9313-03 | 1 | Pulley-Fan | 23 | 42-9850 | 4 | Washer-Lock, Spring |
| 6 | 104-9259 | 1 | Washer-Thrust | 24 | 3234-29 | 6 | Screw-HHF |
| 7 | 251-318 | 2 | Bearing-Ball | 25 | 3296-59 | 1 | Nut-Lock, NI |
| 8 | 104-0001 | 1 | Spacer | 26 | 98-9741 | 1 | Bracket-Mount, Fan |
| 9 | 75-4450-03 | 1 | Hub ASM | 27 | 98-4561-03 | 1 | Shield-Alternator |
| 10 | 302-2 | 1 | Fitting-Grease | 28 | 3296-39 | 1 | Nut-Lock, NI |
| 11 | 67-1630 | 1 | Spacer | 29 | 32144-14 | 2 | Screw-HWHTF |
| 12 | 323-6 | 2 | Screw-HH | 30 | 80-6990 | 1 | Washer-Hardened |
| 13 | 3230-2 | 1 | Bolt-CARR | 31 | 33114-016 | 2 | Screw-HH |
| 14 | 3256-23 | 9 | Washer-Flat | 32 | 322-4 | 7 | Screw-HH |
| 15 | 107-8849-03 | 1 | Fan Support ASM | 33 | 3296-29 | 4 | Nut-Lock, NI |
| 16 | 98-4575-03 | 1 | Lever-Idler, Fan | 34 | 106-7752 | 1 | Bracket-Support, Fan |
| 17 | 3253-4 | 4 | Washer-Lock | 35 | 33103-016 | 2 | Screw-HHF |
| 18 | 98-9312 | 1 | V-Belt | | | | |



Radiator Assembly

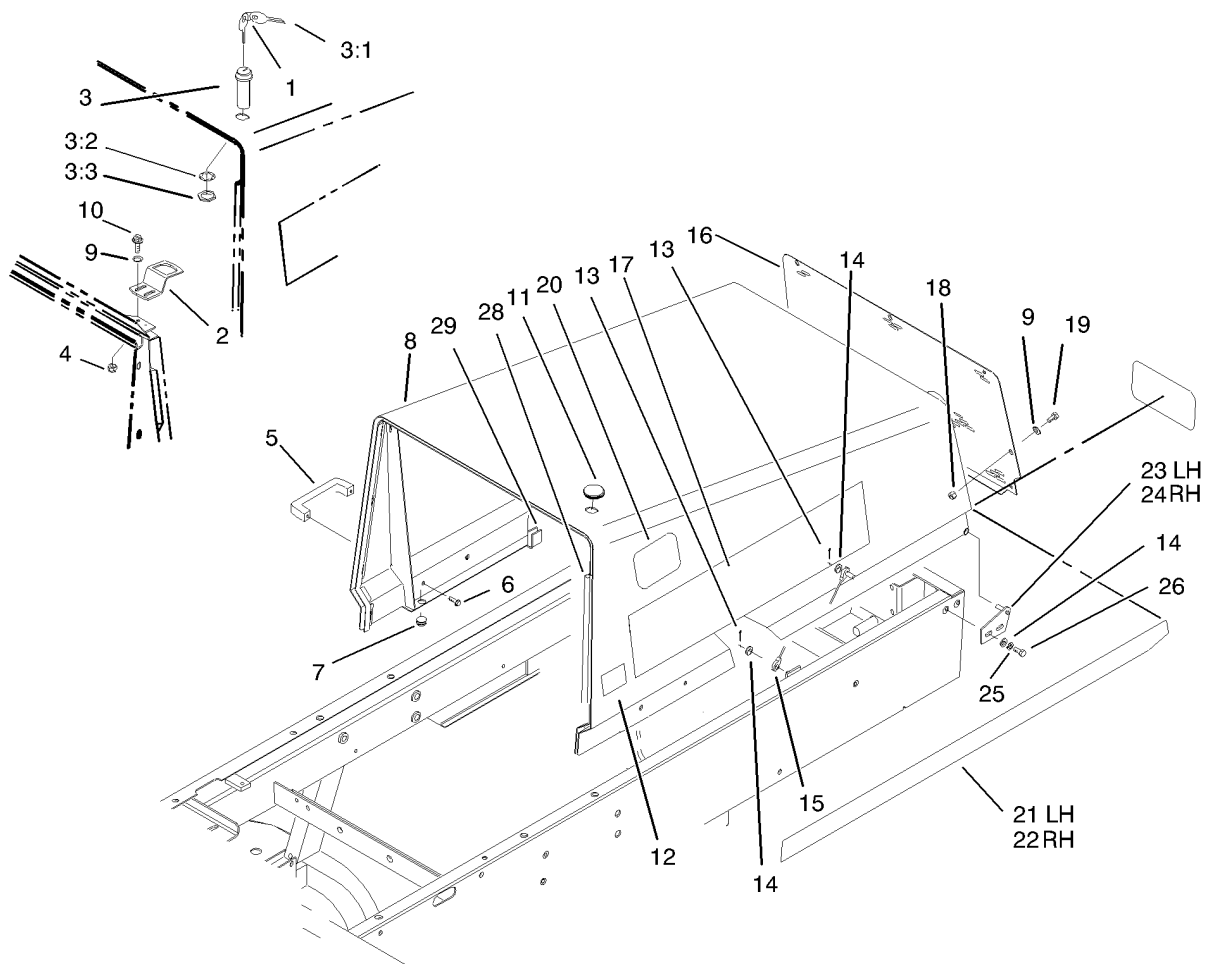
| <i>Ref.</i> | <i>Part Number</i> | <i>Qty.</i> | <i>Description</i> | <i>Ref.</i> | <i>Part Number</i> | <i>Qty.</i> | <i>Description</i> |
|-------------|--------------------|-------------|--------------------------|-------------|--------------------|-------------|---------------------|
| 1 | 3253-4 | 4 | Washer-Lock | 19 | 66-3180 | 1 | Tube-Vent |
| 2 | 322-5 | 4 | Screw-HH | 20 | 32128-20 | 6 | Nut-HF |
| 3 | 3256-23 | 4 | Washer-Flat | 21 | 2412-103 | 1 | Clamp |
| 4 | 98-9317-03 | 1 | Support-Radiator | 22 | 304-46 | 1 | Draincock |
| 5 | 93-0005 | 1 | Strip-Foam, Radiator Top | 23 | 2412-98 | 1 | Clamp-Hose |
| 6 | 98-4507 | 1 | Radiator | 25 | 106-5976 | 1 | Decal-Warning |
| 7 | 66-3240 | 1 | Cap-Radiator | 26 | 3290-379 | 1 | Tie-Cable |
| 8 | 92-2379 | 1 | Clamp-Hose | 27 | 3234-5 | 6 | Screw-HHF |
| 9 | 75-2851 | 1 | Hose-Fuel | 28 | 99-6991 | 1 | LH Cooler Mount ASM |
| 10 | 3296-42 | 4 | Nut-Lock, NI | 28:2 | 75-0930 | 4 | Hook-Mount, Cooler |
| 11 | 98-4571 | 1 | Shroud-Fan | 28:3 | 3269-15 | 8 | Rivet-Pop |
| 12 | 3290-55 | 2 | Rivet-Pop | 29 | 99-6994 | 1 | RH Cooler Mount ASM |
| 13 | 98-9335 | 1 | Plate-Warning, Fan | 29:2 | 75-0930 | 4 | Hook-Mount, Cooler |
| 14 | 3256-22 | 4 | Washer-Flat | 29:3 | 3269-15 | 8 | Rivet-Pop |
| 15 | 321-4 | 2 | Screw-HH | 30 | 104-1448 | 1 | Hoop-Driveline |
| 16 | 2412-34 | 4 | Clamp-Hose | 31 | 3256-55 | 4 | Washer-Flat |
| 17 | 98-4511 | 1 | Hose-Radiator, Upper | 32 | 321-6 | 2 | Screw-HH |
| 18 | 98-4512 | 1 | Hose-Radiator, Lower | | | | |



Oil Cooler and Radiator Assembly

| Ref. | Part Number | Qty. | Description |
|------|-------------|------|-------------------------|
| 1 | 93-0032-03 | 1 | Housing-Screen, Front |
| 2 | 75-3390-03 | 1 | Bracket-Backlap |
| 3 | 66-8800 | 1 | Relay |
| 4 | 99-8352 | 1 | Switch-Backlap, Master |
| 4:1 | 218-498 | 2 | Nut-Lock |
| 4:2 | 218-588 | 3 | Screw |
| 4:3 | 218-589 | 1 | Washer |
| 4:4 | 3253-19 | 3 | Washer-Lock |
| 5 | 3296-29 | 2 | Nut-Lock, NI |
| 6 | 93-6684 | 1 | Decal-Backlap |
| 7 | 322-2 | 2 | Screw-HH |
| 8 | 93-3623 | 2 | Strip-Sealing, Radiator |
| 9 | 93-0077 | 1 | Hose ASM |
| 10 | 3296-42 | 3 | Nut-Lock, NI |
| 11 | 93-0078 | 1 | Hose ASM |
| 12 | 92-4999 | 2 | Fitting |
| 12:1 | 237-65 | 1 | O-Ring |

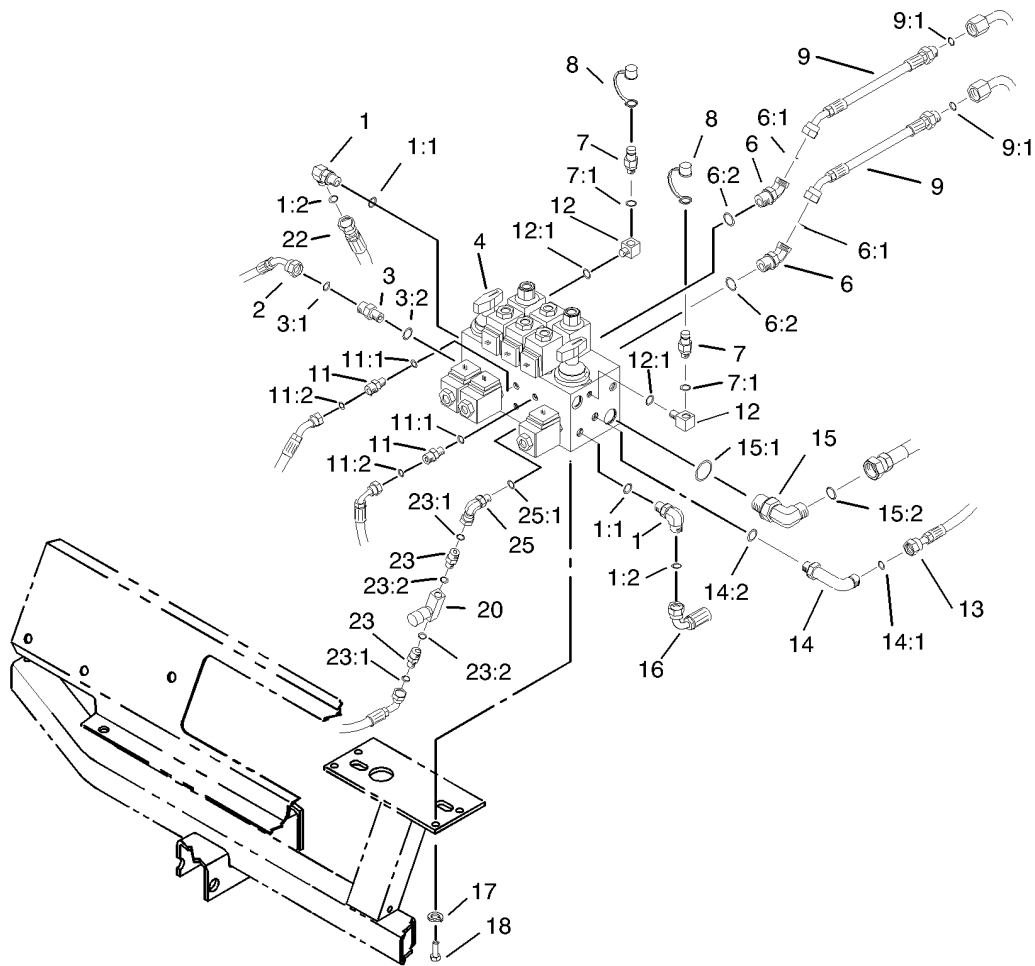
| Ref. | Part Number | Qty. | Description |
|------|-------------|------|-----------------|
| 13 | 75-1040 | 1 | Cooler-Oil |
| 14 | 93-3624-03 | 2 | Plate-Retaining |
| 15 | 321-4 | 3 | Screw-HH |
| 16 | 98-3928 | 2 | Clamp-Hose |
| 18 | 24-0760 | 1 | Cooler ASM |
| 19 | 340-124 | 2 | Adapter |
| 19:1 | 237-22 | 1 | O-Ring |
| 20 | 3269-13 | 15 | Rivet-Pop |
| 21 | 100-3815 | 2 | Grommet-Rubber |
| 22 | 93-1374 | 2 | Latch-Swell |
| 23 | 3269-10 | 5 | Washer-Back |
| 26 | 104-9257-03 | 1 | Shield-Radiator |
| 30 | 70-1480 | 1 | Relay |
| 31 | 240-3 | 2 | Grommet-Rubber |
| 32 | 3256-26 | 2 | Washer-Flat |
| 33 | 3253-7 | 2 | Washer-Lock |
| 34 | 325-5 | 2 | Screw-HH |



Hood Assembly

| <i>Ref.</i> | <i>Part Number</i> | <i>Qty.</i> | <i>Description</i> | <i>Ref.</i> | <i>Part Number</i> | <i>Qty.</i> | <i>Description</i> |
|-------------|--------------------|-------------|--------------------|-------------|--------------------|-------------|-------------------------|
| 1 | 98-9321 | 1 | Ring-Key | 14 | 3256-23 | 6 | Washer-Flat |
| 2 | 98-9316 | 1 | Latch-Hood | 15 | 75-0570 | 1 | Cable-Hood |
| 3 | 98-9315 | 1 | Latch-Locking | 16 | 98-4573-03 | 1 | Screen-Hood, Rear |
| 3:1 | 99-8350 | 2 | Key-Latch, Locking | 17 | 106-7061 | 2 | Decal |
| 3:2 | | 1 | Washer-Switch ● | 18 | 3296-42 | 7 | Nut-Lock, NI |
| 3:3 | | 1 | Nut-Switch ● | 19 | 321-39 | 7 | Screw-HH |
| 4 | 3296-16 | 2 | Nut-Lock, NI | 20 | 66-6140 | 2 | Decal |
| 5 | 65-5100 | 2 | Handle-Door | 21 | 92-5751 | 1 | Decal-Hood, LH |
| 6 | 46-8091 | 4 | Screw-HWH | 22 | 92-5752 | 1 | Decal-Hood, RH |
| 7 | 237-141 | 2 | Grommet-Rubber | 23 | 63-6900-01 | 1 | LH Hood Hinge Plate ASM |
| 8 | 98-9746 | 1 | Hood ASM | 24 | 63-6890-01 | 1 | RH Hood Hinge Plate ASM |
| 9 | 3256-1 | 9 | Washer-Flat | 25 | 3253-4 | 4 | Washer-Lock |
| 10 | 321-4 | 2 | Screw-HH | 26 | 322-5 | 4 | Screw-HH |
| 11 | 98-9314 | 1 | Grommet | 28 | 93-0081 | 1 | Strip-Seal |
| 12 | 93-7252 | 1 | Decal | 29 | 99-8975 | 1 | Strip-Seal |
| 13 | 3272-4 | 2 | Pin-Cotter | | | | |

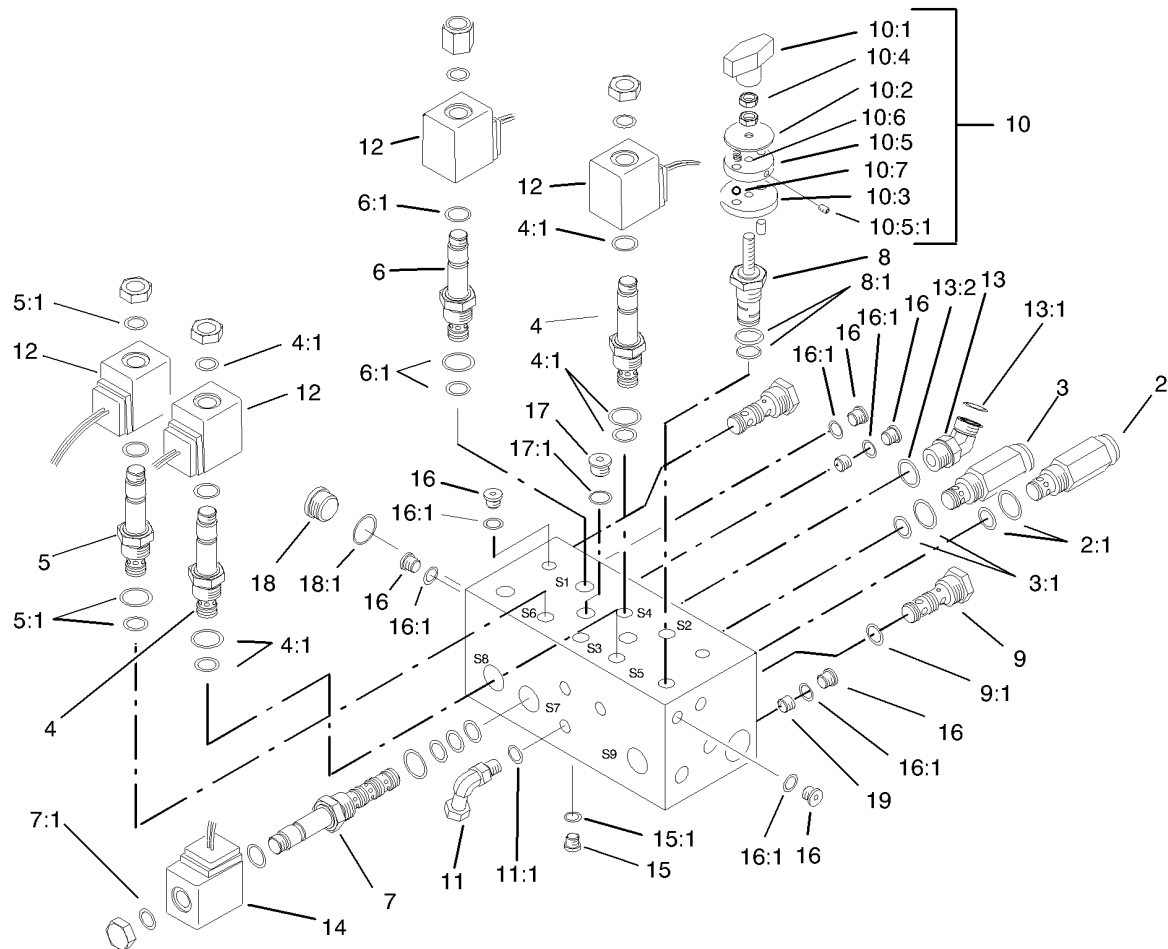
● Not serviced separately



Hydraulic Control Block and Hoses Assembly

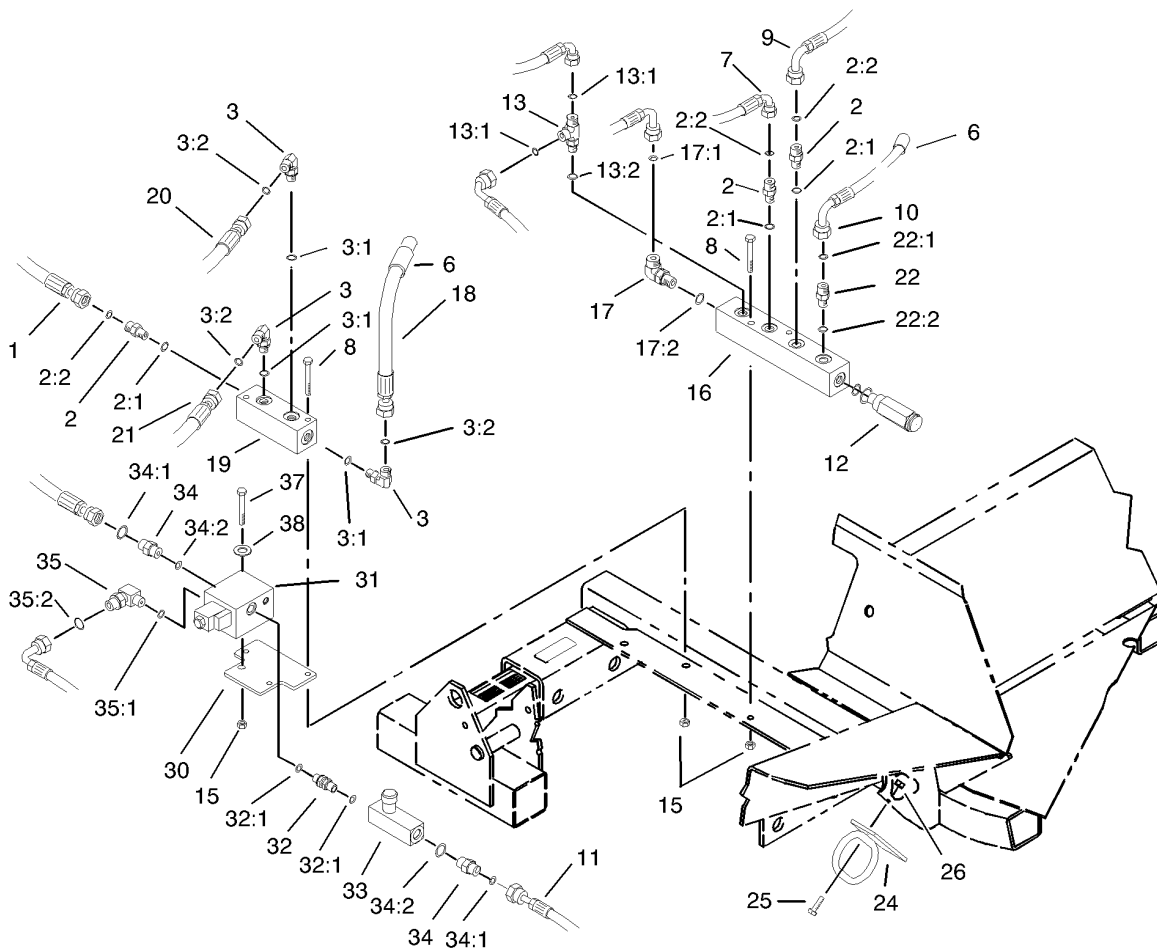
| Ref. | Part Number | Qty. | Description | Ref. | Part Number | Qty. | Description |
|------|-------------|------|-----------------------|------|-------------|------|-----------------------|
| 1 | 340-98 | 2 | Fitting-HYD, 90 DEG | 12:1 | 237-78 | 1 | O-Ring |
| 1:1 | 237-79 | 1 | O-Ring | 13 | 98-9348 | 1 | HYD Hose ASM |
| 1:2 | 237-30 | 1 | O-Ring | 14 | 98-9781 | 1 | Fitting-HYD, 90 DEG |
| 2 | 100-3879 | 1 | HYD Hose ASM | 14:1 | 237-30 | 1 | O-Ring |
| 3 | 340-4 | 1 | Fitting-HYD, Straight | 14:2 | 237-79 | 1 | O-Ring |
| 3:1 | 237-30 | 1 | O-Ring | 15 | 340-139 | 1 | Fitting-HYD, 90 DEG |
| 3:2 | 237-79 | 1 | O-Ring | 15:1 | 237-81 | 1 | O-Ring |
| 4 | 98-4579 | 1 | HYD Manifold ASM | 15:2 | 237-65 | 1 | O-Ring |
| 6 | 340-101 | 2 | Fitting-HYD, 45 DEG | 16 | 98-9347 | 1 | HYD Hose ASM |
| 6:1 | 237-30 | 1 | O-Ring | 17 | 3253-4 | 4 | Washer-Lock |
| 6:2 | 237-79 | 1 | O-Ring | 18 | 322-3 | 4 | Screw-HH |
| 7 | 354-77 | 2 | Fitting-Quick | 20 | 98-9742 | 1 | Valve-Control, Flow |
| 7:1 | 237-78 | 1 | O-Ring | 22 | 100-3878 | 1 | HYD Hose ASM |
| 8 | 354-79 | 2 | Cap-Dust | 23 | 340-1 | 2 | Fitting-HYD, Straight |
| 9 | 86-9190 | 2 | Hose | 23:1 | 237-21 | 1 | O-Ring |
| 9:1 | 237-30 | 1 | O-Ring | 23:2 | 237-42 | 1 | O-Ring |
| 11 | 340-92 | 2 | Fitting-HYD, Straight | 24 | 3290-378 | 1 | Tie-Cable ● |
| 11:1 | 237-78 | 1 | O-Ring | 25 | 340-143 | 1 | Elbow-Swivel, 90 DEG |
| 11:2 | 237-21 | 1 | O-Ring | 25:1 | 237-78 | 1 | O-Ring |
| 12 | 75-6640 | 2 | Fitting-HYD, Special | | | | |

● Not illustrated



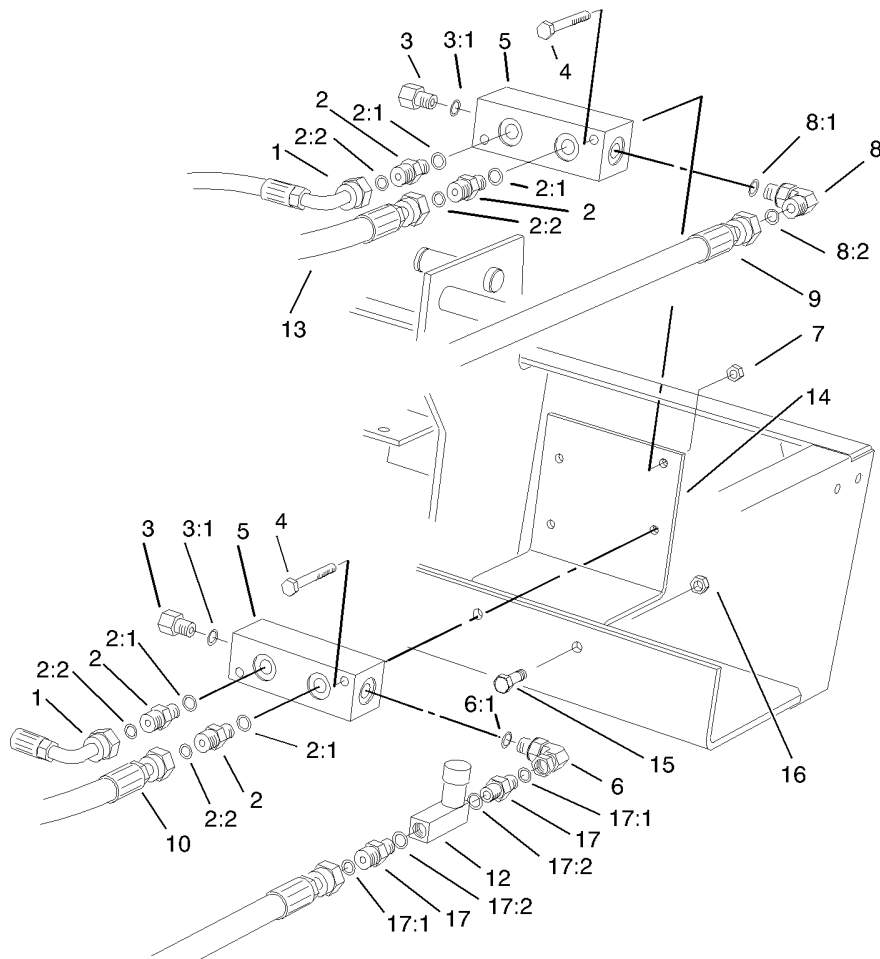
Hydraulic Manifold Assembly No. 98-4579

| Ref. | Part Number | Qty. | Description | Ref. | Part Number | Qty. | Description |
|------|-------------|------|------------------------|--------|-------------|------|-----------------------|
| 2 | 75-2010 | 1 | Cartridge-Relief | 10:5 | 94-5023 | 1 | Plate-Detent |
| 2:1 | 95-5645 | 1 | Seal Kit | 10:5:1 | 3245-36 | 1 | Screw-Set, HSH |
| 3 | 75-0920 | 1 | Cartridge-Relief | 10:6 | 94-5027 | 2 | Spring |
| 3:1 | 95-5645 | 1 | Seal Kit | 10:7 | 255-13 | 2 | Ball-Steel, Stainless |
| 4 | 94-2685 | 3 | Cartridge-N.C., Spool | 11 | 340-143 | 1 | Elbow-Swivel, 90 DEG |
| 4:1 | 95-5645 | 1 | Seal Kit | 11:1 | 237-78 | 1 | O-Ring |
| 5 | 92-6315 | 1 | Cartridge-Poppet, N.C. | 12 | 88-9190 | 6 | Solenoid Coil Kit |
| 5:1 | 95-5645 | 1 | Seal Kit | 13 | 340-101 | 1 | Fitting-HYD, 45 DEG |
| 6 | 88-7020 | 2 | Cartridge-N.O., Spool | 13:1 | 237-30 | 1 | O-Ring |
| 6:1 | 95-5645 | 1 | Seal Kit | 13:2 | 237-79 | 1 | O-Ring |
| 7 | 88-6960 | 3 | Cartridge | 14 | 88-9200 | 3 | Coil-Solenoid |
| 7:1 | 95-5642 | 1 | Seal Kit | 15 | 106-1024 | 10 | Plug-Leak, Zero |
| 8 | 98-9779 | 2 | Cartridge-Flow | 15:1 | 237-156 | 1 | O-Ring |
| 8:1 | 95-5645 | 1 | Seal Kit | 16 | 106-1025 | 15 | Plug-HYD |
| 9 | 69-4120 | 2 | Cartridge-Logic | 16:1 | 237-78 | 1 | O-Ring |
| 9:1 | 69-4240 | 1 | Seal Kit | 17 | 106-1026 | 1 | Plug-HYD |
| 10 | 94-3660 | 1 | Detent Kit | 17:1 | 237-42 | 1 | O-Ring |
| 10:1 | 94-5020 | 1 | Knob ASM | 18 | 106-1028 | 1 | Plug-Leak, Zero |
| 10:2 | 94-5025 | 1 | Plate-Locating | 18:1 | 237-80 | 1 | O-Ring |
| 10:3 | 94-5026 | 1 | Plate-Indicator | 19 | 95-5999 | 2 | Plug-Orifice |
| 10:4 | 3218-1 | 2 | Nut-Jam | | | | |



Front Hydraulic Manifold Assembly

| Ref. | Part Number | Qty. | Description | Ref. | Part Number | Qty. | Description |
|------|-------------|------|------------------------|------|-------------|------|------------------------|
| 1 | 98-4584 | 1 | HYD Hose ASM | 19 | 75-1180 | 1 | Block-Manifold, 4 Port |
| 2 | 340-92 | 3 | Fitting-HYD, Straight | 20 | 98-4587 | 1 | HYD Hose ASM |
| 2:1 | 237-78 | 1 | O-Ring | 21 | 104-9323 | 1 | HYD Hose ASM |
| 2:2 | 237-21 | 1 | O-Ring | 22 | 340-2 | 2 | Fitting-HYD, Straight |
| 3 | 340-132 | 3 | Fitting-HYD, 90 DEG | 22:1 | 237-22 | 1 | O-Ring |
| 3:1 | 237-78 | 1 | O-Ring | 22:2 | 237-42 | 1 | O-Ring |
| 3:2 | 237-21 | 1 | O-Ring | 24 | 104-0028 | 2 | Guide-Hose |
| 6 | 38-3400 | 2 | Guard-Rubber | 25 | 322-5 | 4 | Screw-HH |
| 7 | 75-5910 | 1 | Hose | 26 | 3296-29 | 4 | Nut-Lock, NI |
| 8 | 321-18 | 4 | Screw-HH | 30 | 105-7510 | 1 | Bracket-Mounting |
| 9 | 93-0118 | 1 | Hose ASM | 31 | 105-3303 | 1 | Flow Divider Valve ASM |
| 10 | 93-0119 | 1 | Hose ASM | 32 | 99-5644 | 1 | Fitting-Sae |
| 11 | 99-5643 | 1 | Hose-HYD | 32:1 | 237-42 | 2 | O-Ring |
| 12 | 93-0143 | 1 | Cartridge-Relief | 33 | 98-9742 | 1 | Valve-Control, Flow |
| 13 | 340-140 | 1 | Adapter-Tee | 34 | 340-1 | 2 | Fitting-HYD, Straight |
| 13:1 | 237-21 | 2 | O-Ring | 34:1 | 237-21 | 1 | O-Ring |
| 13:2 | 237-78 | 1 | O-Ring | 34:2 | 237-42 | 1 | O-Ring |
| 15 | 3296-42 | 6 | Nut-Lock, NI | 35 | 340-82 | 1 | Adapter ASM |
| 16 | 93-0139 | 1 | Block-Manifold, 6 Port | 35:1 | 237-42 | 1 | O-Ring |
| 17 | 340-77 | 1 | Fitting-HYD, 90 DEG | 35:2 | 237-21 | 1 | O-Ring |
| 17:1 | 237-22 | 1 | O-Ring | 37 | 321-23 | 2 | Screw-HH |
| 17:2 | 237-42 | 1 | O-Ring | 38 | 3256-2 | 2 | Washer-Flat |
| 18 | 92-9096 | 1 | Hose | | | | |

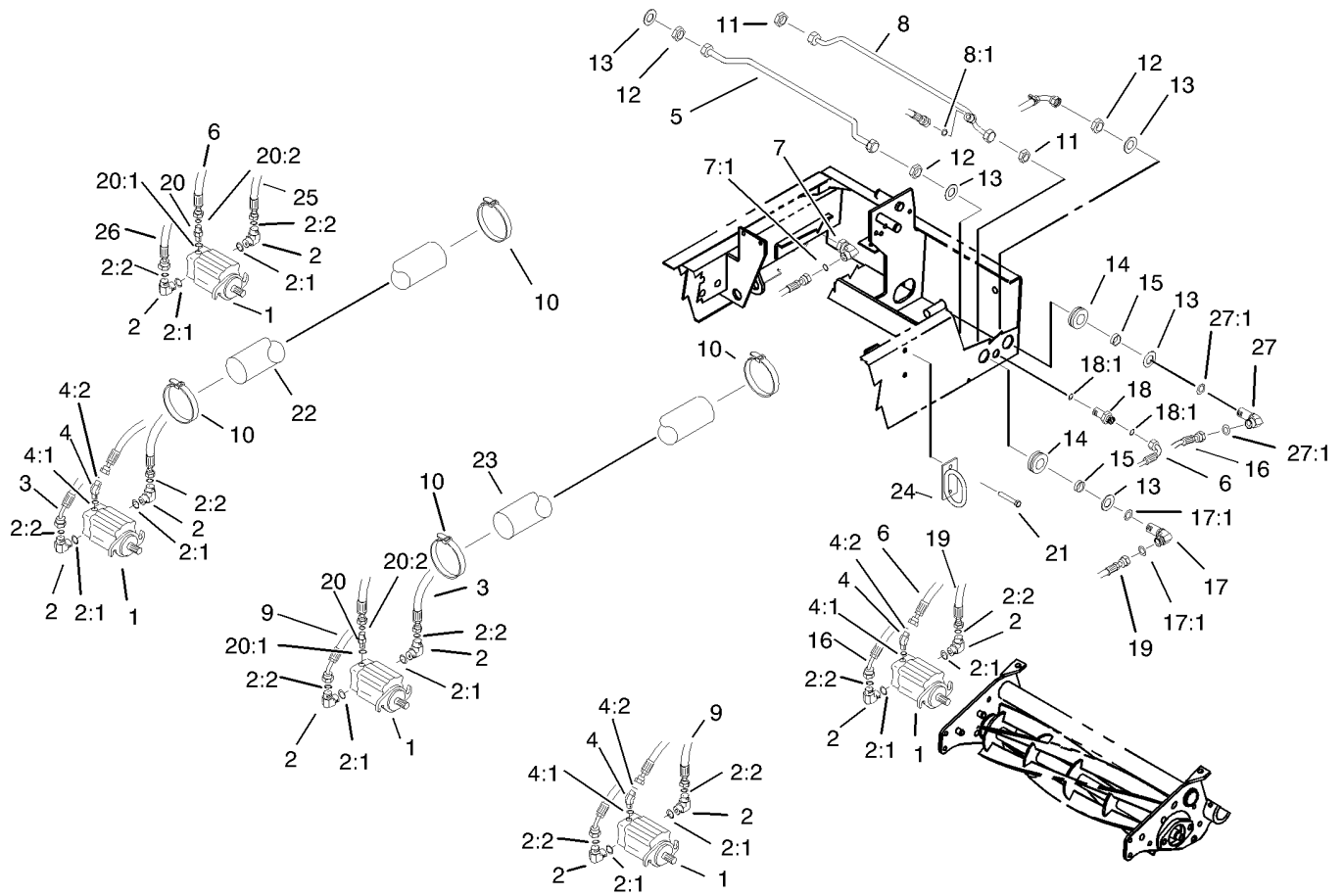


Rear Hydraulic Manifold Assembly

| Ref. | Part Number | Qty. | Description |
|------|-------------|------|------------------------|
| 1 | 75-6180 | 2 | Hose |
| 2 | 340-92 | 4 | Fitting-HYD, Straight |
| 2:1 | 237-78 | 1 | O-Ring |
| 2:2 | 237-21 | 1 | O-Ring |
| 3 | 353-512 | 2 | Plug |
| 3:1 | 237-78 | 1 | O-Ring |
| 4 | 321-11 | 4 | Screw-HH |
| 5 | 75-1180 | 2 | Block-Manifold, 4 Port |
| 6 | 340-143 | 1 | Elbow-Swivel, 90 DEG |
| 6:1 | 237-78 | 1 | O-Ring |
| 7 | 32128-33 | 4 | Nut-HF |
| 8 | 340-132 | 1 | Fitting-HYD, 90 DEG |
| 8:1 | 237-78 | 1 | O-Ring |

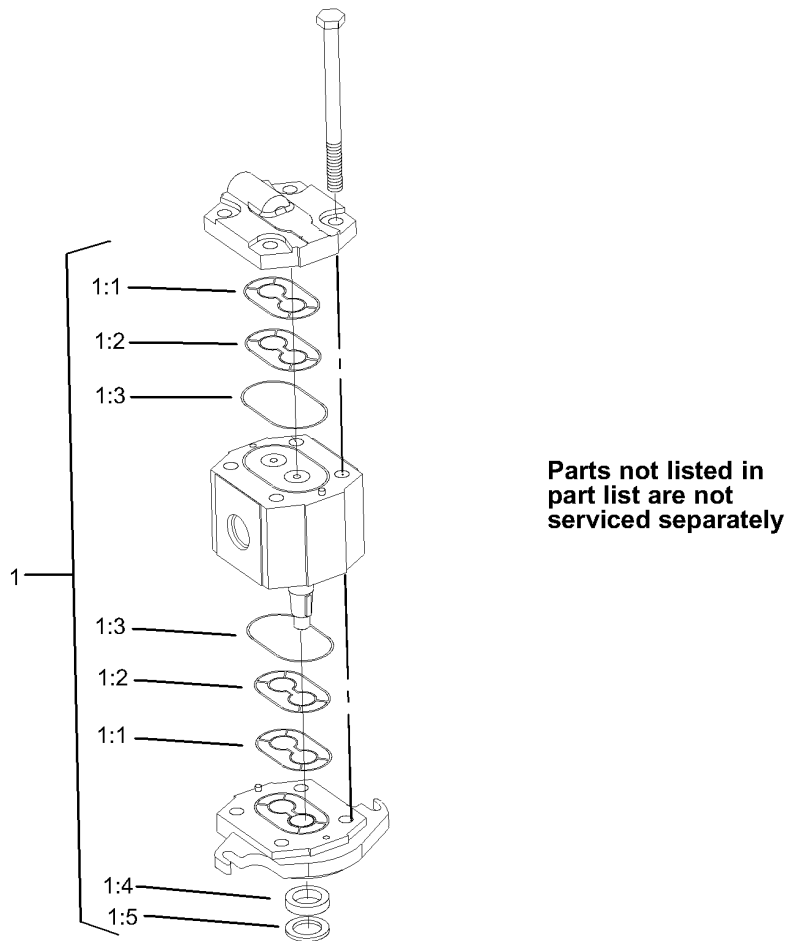
| Ref. | Part Number | Qty. | Description |
|------|-------------|------|-----------------------|
| 8:2 | 237-21 | 1 | O-Ring |
| 9 | 93-0118 | 1 | Hose ASM |
| 10 | 75-6080 | 1 | Hose ASM |
| 12 | 98-9742 | 1 | Valve-Control, Flow |
| 13 | 75-6070 | 1 | Hose |
| 14 | 94-4920-03 | 1 | Plate-Mounting, Valve |
| 15 | 322-5 | 2 | Screw-HH |
| 16 | 32128-20 | 2 | Nut-HF |
| 17 | 340-1 | 2 | Fitting-HYD, Straight |
| 17:1 | 237-21 | 1 | O-Ring |
| 17:2 | 237-42 | 1 | O-Ring |
| 18 | 3290-378 | 1 | Tie-Cable ● |

● Not illustrated



Reel Motor Assembly

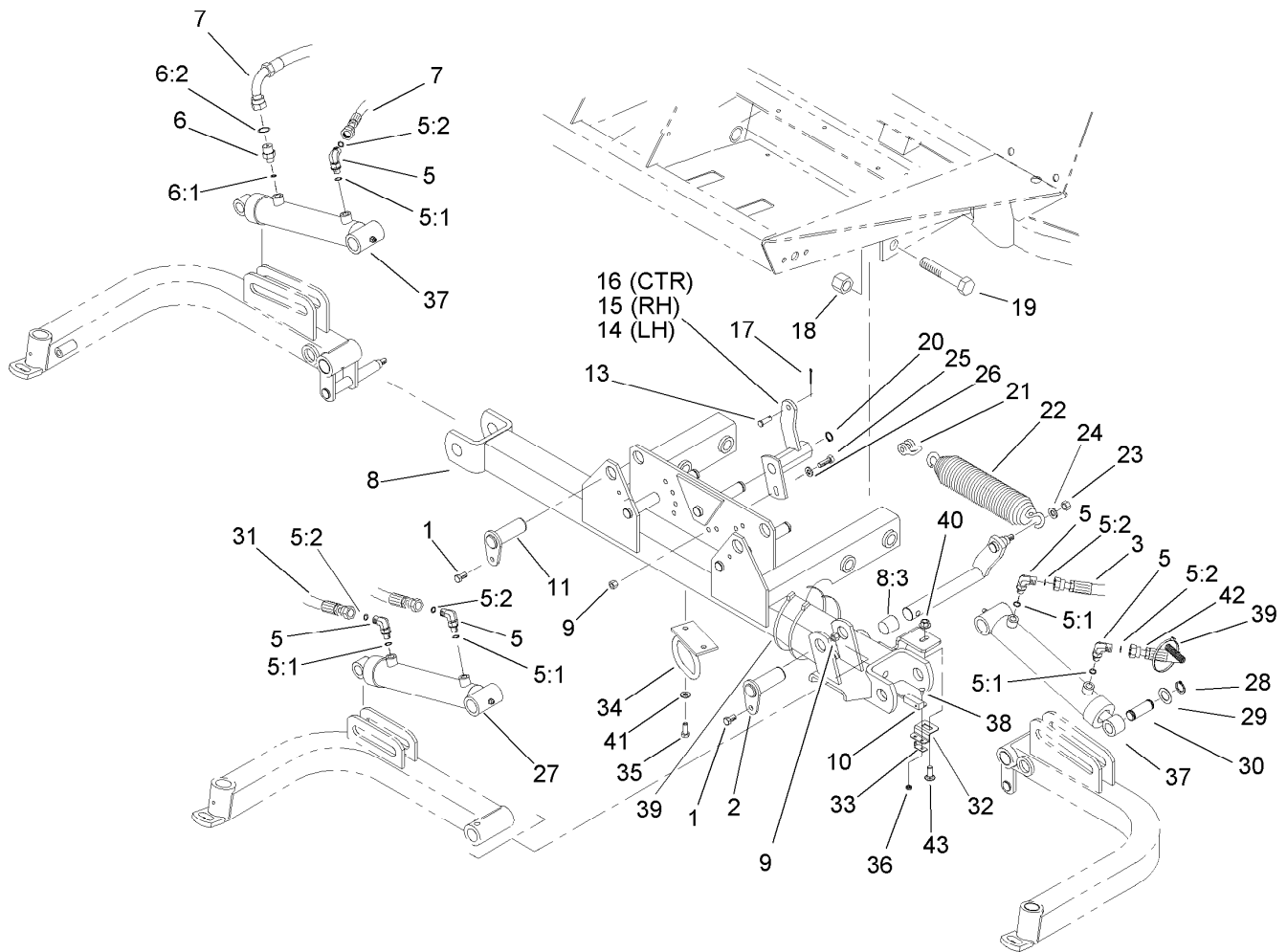
| Ref. | Part Number | Qty. | Description | Ref. | Part Number | Qty. | Description |
|------|-------------|------|---------------------|------|-------------|------|----------------------------|
| 1 | 100-6426 | 5 | HYD Motor ASM | 14 | 240-5 | 4 | Grommet |
| 2 | 340-98 | 10 | Fitting-HYD, 90 DEG | 15 | 69-8960 | 4 | Spacer |
| 2:1 | 237-79 | 1 | O-Ring | 16 | 100-3876 | 1 | HYD Hose ASM |
| 2:2 | 237-30 | 1 | O-Ring | 17 | 93-9151 | 3 | Fitting-HYD |
| 3 | 104-9322 | 1 | HYD Hose ASM | 17:1 | 237-30 | 2 | O-Ring |
| 4 | 340-103 | 3 | Fitting-HYD, 45 DEG | 18 | 340-71 | 2 | Fitting-Straight, Bulkhead |
| 4:1 | 237-78 | 1 | O-Ring | 18:1 | 237-22 | 2 | O-Ring |
| 4:2 | 237-21 | 1 | O-Ring | 19 | 100-3877 | 1 | HYD Hose ASM |
| 5 | 94-4918 | 1 | Tube ASM | 20 | 340-92 | 2 | Fitting-HYD, Straight |
| 6 | 98-4583 | 2 | HYD Hose ASM | 20:1 | 237-78 | 1 | O-Ring |
| 7 | 94-6031 | 1 | Fitting-HYD | 20:2 | 237-21 | 1 | O-Ring |
| 7:1 | 237-30 | 1 | O-Ring | 21 | 32104-32 | 4 | Screw-HWH |
| 8 | 100-3714 | 1 | Drain Tube ASM | 22 | 99-5648 | 4 | Sleeve-Protective |
| 8:1 | 237-21 | 1 | O-Ring | 23 | 99-5617 | 1 | Sleeve-Protective |
| 9 | 104-9321 | 1 | HYD Hose ASM | 24 | 104-0028 | 2 | Guide-Hose |
| 10 | 3290-379 | 10 | Tie-Cable | 25 | 104-0057 | 1 | HYD Hose ASM |
| 11 | 340-70 | 2 | Nut-Lock | 26 | 104-0069 | 1 | HYD Hose ASM |
| 12 | 340-127 | 4 | Nut-Bulkhead | 27 | 100-3713 | 1 | Fitting-HYD, 90 DEG |
| 13 | 69-8930 | 8 | Washer | 27:1 | 237-30 | 2 | O-Ring |



Hydraulic Motor Assembly No. 100-6426

| <i>Ref.</i> | <i>Part Number</i> | <i>Qty.</i> | <i>Description</i> |
|-------------|--------------------|-------------|------------------------|
| 1 | 105-9758 | 1 | Seal Kit |
| 1:1 | | 2 | Seal-Extrusion, Anti ● |
| 1:2 | | 2 | Seal-Pressure ● |
| 1:3 | | 2 | Seal-Dust ● |
| 1:4 | | 1 | Seal-Shaft ● |
| 1:5 | | 1 | Washer-Backup ● |

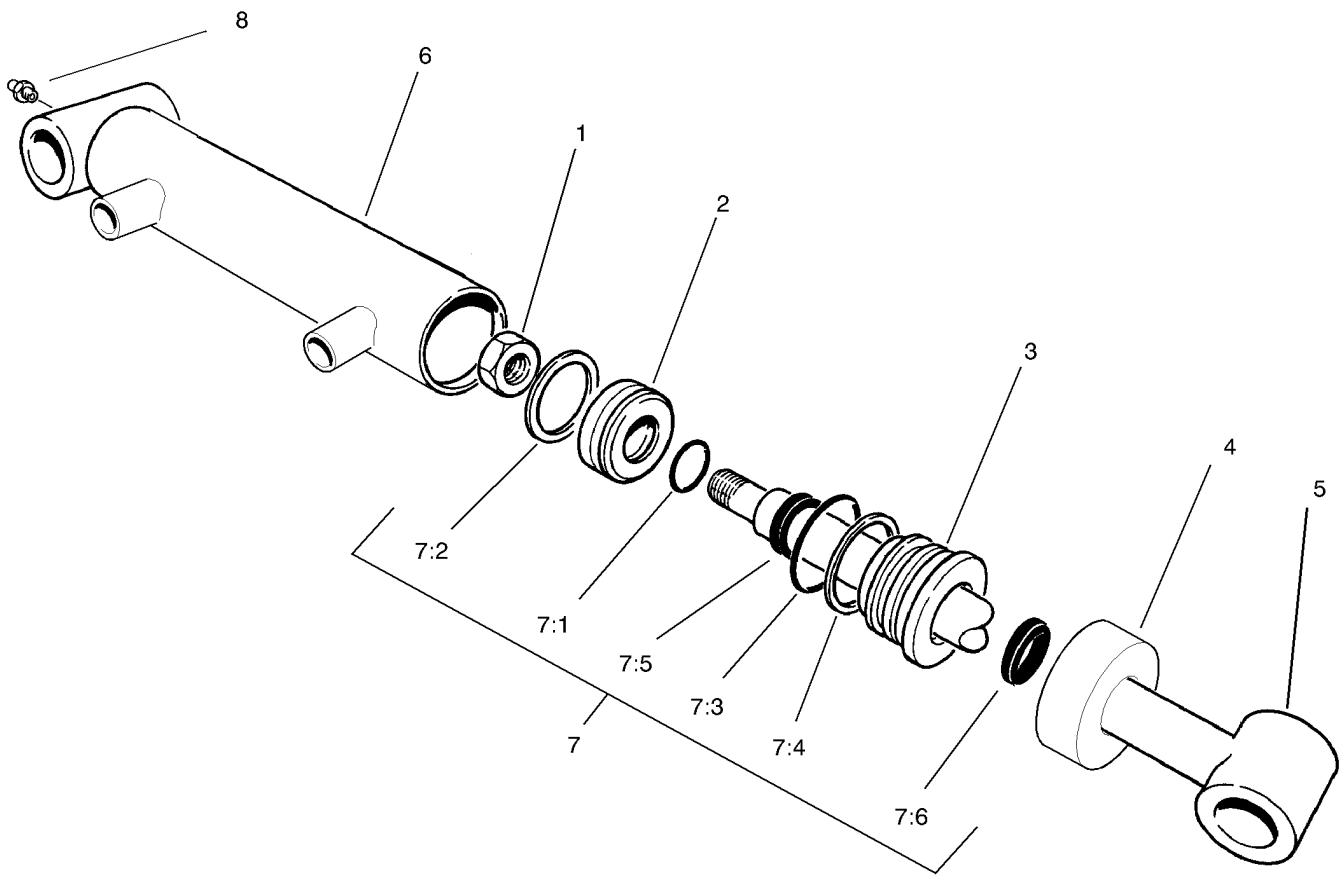
● Not serviced separately



Front Lift Circuit Assembly

| Ref. | Part Number | Qty. | Description | Ref. | Part Number | Qty. | Description |
|------|-------------|------|------------------------|------|-------------|------|-----------------------|
| 1 | 32144-14 | 3 | Screw-HWHTF | 20 | 32151-48 | 3 | E-Ring |
| 2 | 106-9208 | 1 | Short Cylinder Pin ASM | 21 | 282-4 | 3 | Shackle |
| 3 | 99-5643 | 1 | Hose-HYD | 22 | 5-0743-03 | 3 | Spring-Mower |
| 5 | 340-132 | 5 | Fitting-HYD, 90 DEG | 23 | 3296-44 | 3 | Nut-Lock, NI |
| 5:1 | 237-78 | 1 | O-Ring | 24 | 3256-24 | 3 | Washer-Flat |
| 5:2 | 237-21 | 1 | O-Ring | 25 | 322-5 | 3 | Screw-HH |
| 6 | 340-92 | 1 | Fitting-HYD, Straight | 26 | 3256-23 | 3 | Washer-Flat |
| 6:1 | 237-78 | 1 | O-Ring | 27 | 93-9310 | 1 | Cylinder-HYD |
| 6:2 | 237-21 | 1 | O-Ring | 28 | 32120-93 | 6 | Ring-Retaining |
| 7 | 99-5641 | 2 | Hose-HYD | 29 | 3-6498 | 6 | Washer-Thrust |
| 8 | 107-1801 | 1 | Carrier Frame ASM | 30 | 104-0046 | 3 | Pin-Slide, Cylinder |
| 8:2 | 302-5 | 1 | Fitting-Grease ● | 31 | 75-5900 | 1 | Hose |
| 8:3 | 67-1750 | 2 | Bushing | 32 | 106-5958 | 1 | Bracket-Switch |
| 9 | 3296-29 | 4 | Nut-Lock, NI | 33 | 100-4872 | 1 | Plate-Switch, Neutral |
| 10 | 100-1270 | 1 | Switch-Proximity | 34 | 104-0028 | 1 | Guide-Hose |
| 11 | 105-9889 | 2 | Pin-Cylinder | 35 | 322-5 | 2 | Screw-HH |
| 12 | 3290-379 | 4 | Tie-Cable ● | 36 | 32149-7 | 1 | Nut-Keps |
| 13 | 283-6 | 3 | Pin-Clevis | 37 | 99-6986 | 2 | Cylinder-HYD |
| 14 | 75-5220-03 | 1 | Bracket-Spring, LH | 38 | 104-1450 | 1 | Bolt-CARR |
| 15 | 75-5200-03 | 1 | Bracket-Spring, RH | 39 | 3290-378 | 3 | Tie-Cable |
| 16 | 75-5210-03 | 1 | Bracket-Spring, Center | 40 | 32128-43 | 1 | Nut-Flange |
| 17 | 3272-10 | 3 | Pin-Cotter | 41 | 3253-4 | 2 | Washer-Lock |
| 18 | 3296-51 | 4 | Nut-Lock, NI | 42 | 99-5642 | 1 | Hose-HYD |
| 19 | 328-7 | 4 | Screw-HH | 43 | 3231-22 | 1 | Screw-CARR |

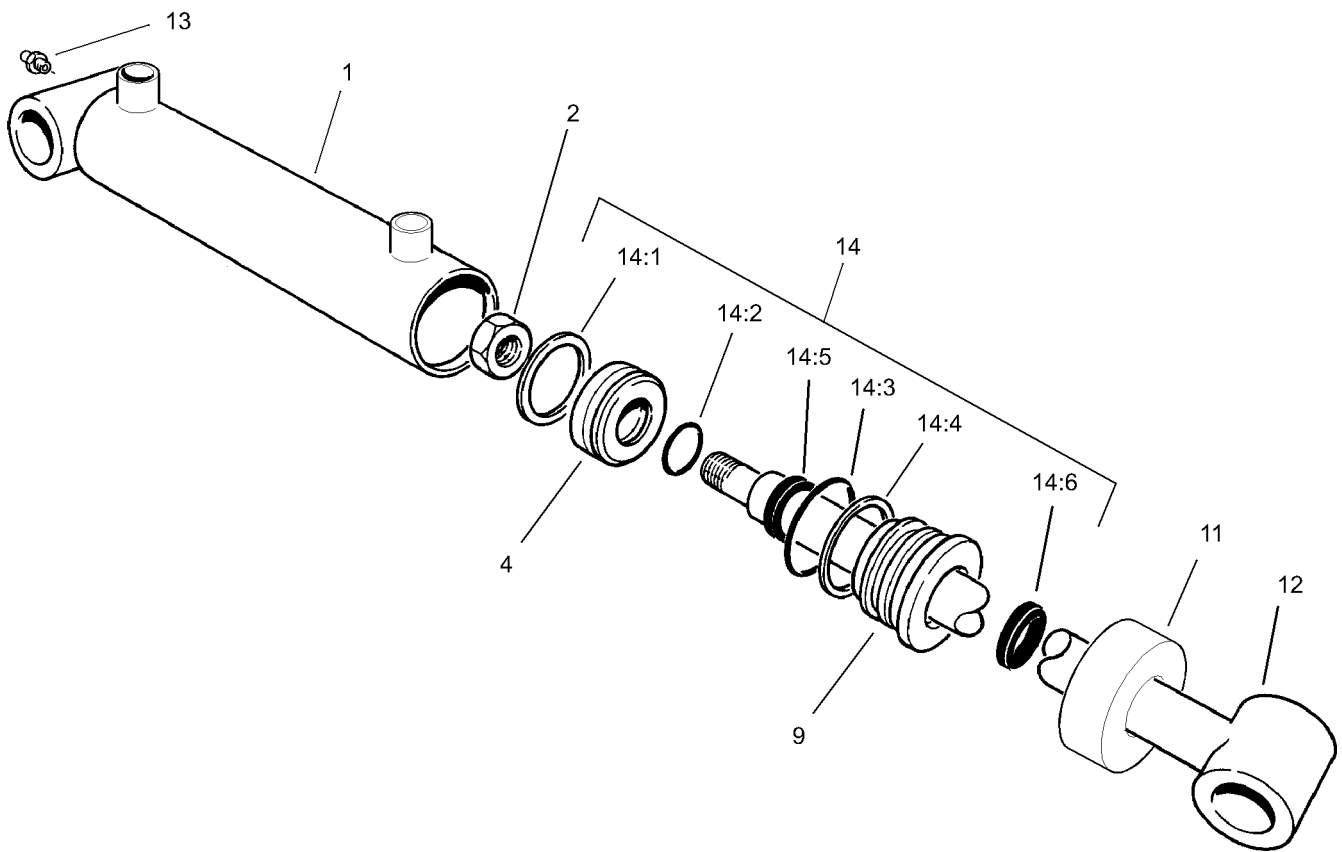
● Not illustrated



Hydraulic Cylinder Assembly No. 93-9310

| Ref. | Part Number | Qty. | Description |
|------|-------------|------|----------------|
| 1 | | 1 | Locknut ● |
| 2 | | 1 | Piston ● |
| 3 | | 1 | Head ● |
| 4 | | 1 | Collar ● |
| 5 | | 1 | Shaft W/Tube ● |
| 6 | | 1 | Barrel ASM ● |
| 7 | 86-7330 | 1 | Seal Kit |
| 7:1 | | 1 | Seal-Dust ● |
| 7:2 | | 1 | Seal-Special ● |
| 7:3 | | 1 | Seal-Dust ● |
| 7:4 | | 1 | Backup ● |
| 7:5 | | 1 | Seal-Rod ● |
| 7:6 | | 1 | Seal-Dust ● |
| 8 | 302-5 | 1 | Fitting-Grease |

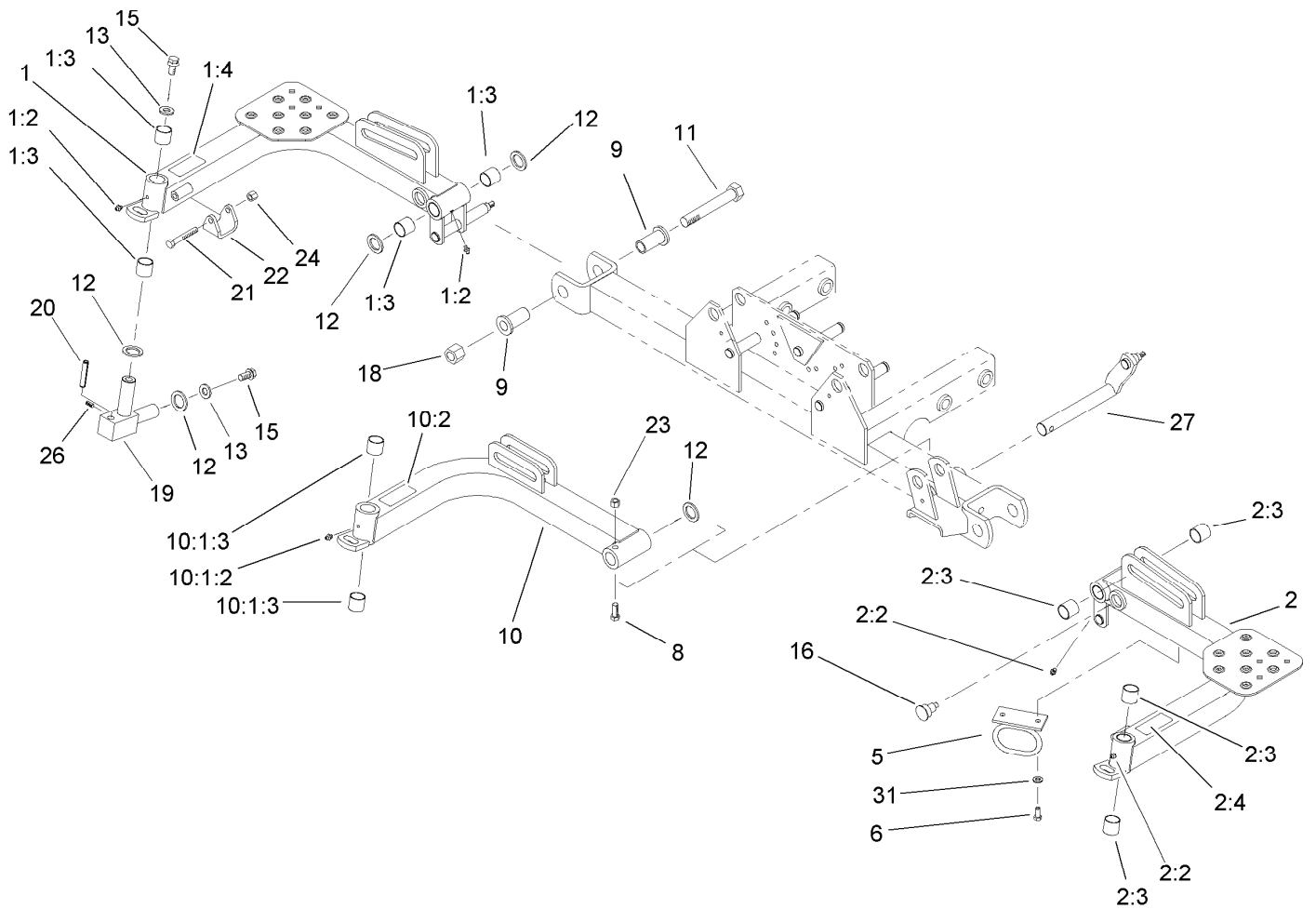
● Not serviced separately



Hydraulic Cylinder Assembly No. 99-6986

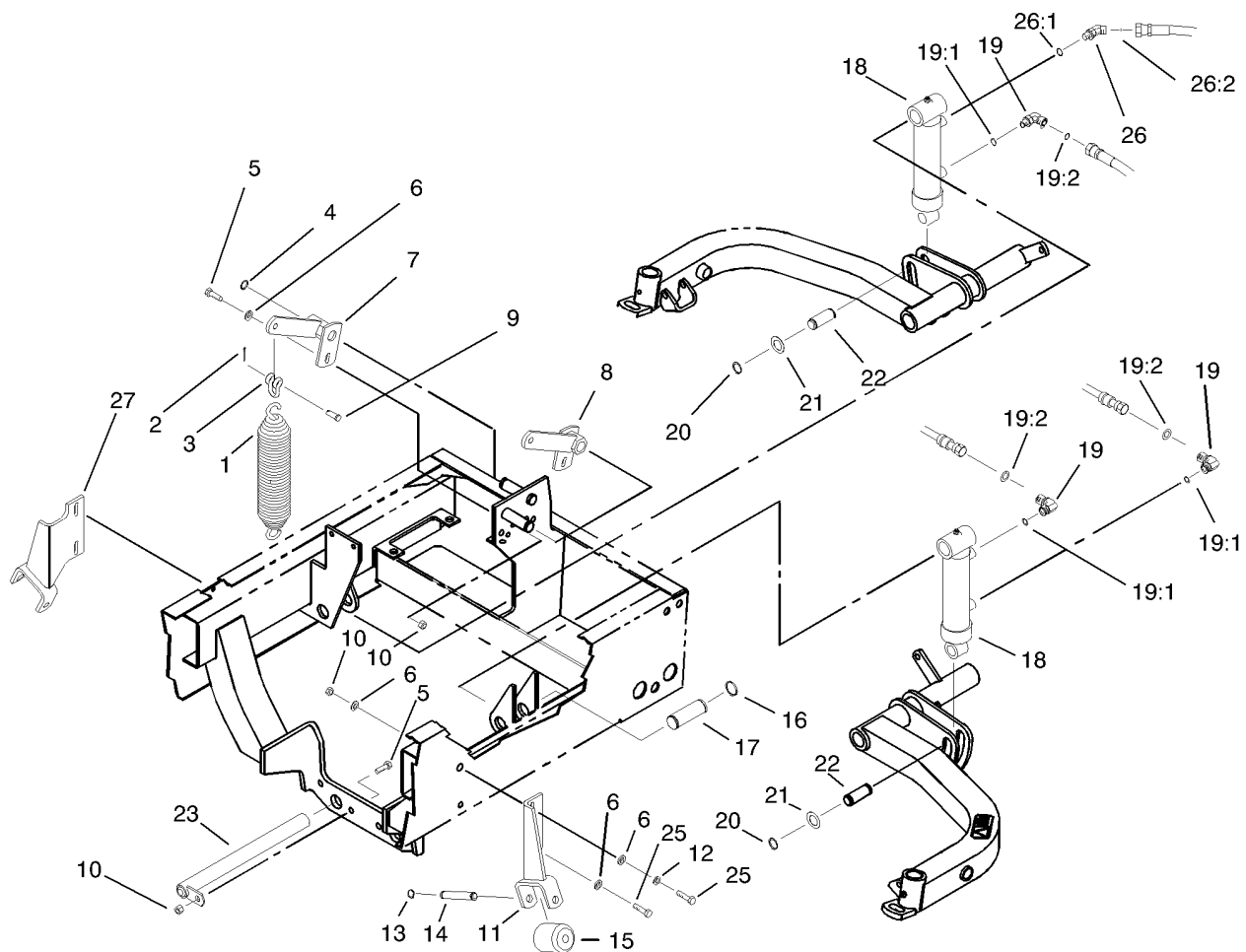
| Ref. | Part Number | Qty. | Description |
|------|-------------|------|------------------|
| 1 | | 1 | Barrel ● |
| 2 | 32152-10 | 1 | Locknut |
| 4 | | 1 | Piston ● |
| 9 | | 1 | Head ● |
| 11 | | 1 | Collar ● |
| 12 | | 1 | Shaft W/Clevis ● |
| 13 | | 1 | Fitting-Grease ● |
| 14 | 100-8023 | 1 | Seal Repair Kit |
| 14:1 | | 1 | Seal-Psp ● |
| 14:2 | | 1 | Seal-Dust ● |
| 14:3 | | 1 | Seal-Dust ● |
| 14:4 | | 1 | Backup ● |
| 14:5 | | 1 | Seal-Rod ● |
| 14:6 | | 1 | Seal-Dust ● |

● Not serviced separately



Front Lift Arm Assembly

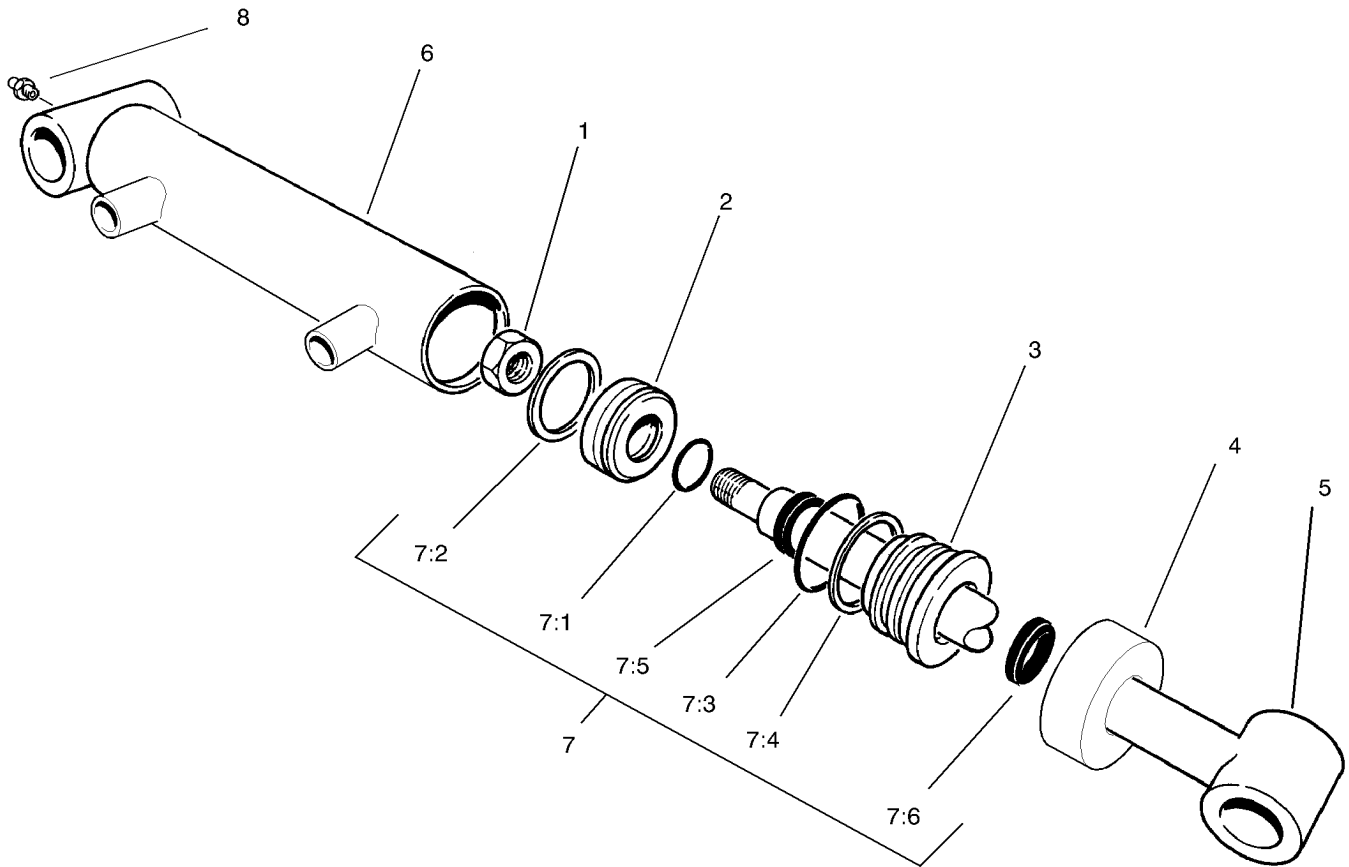
| <i>Ref.</i> | <i>Part Number</i> | <i>Qty.</i> | <i>Description</i> | <i>Ref.</i> | <i>Part Number</i> | <i>Qty.</i> | <i>Description</i> |
|-------------|--------------------|-------------|---------------------|-------------|--------------------|-------------|-------------------------|
| 1 | 107-8845 | 1 | RH Lift Arm ASM | 11 | 328-12 | 2 | Screw-HH |
| 1:2 | 302-5 | 2 | Fitting-Grease | 12 | 256-115 | 11 | Washer-Thrust |
| 1:3 | 67-1750 | 4 | Bushing | 13 | 3256-6 | 6 | Washer-Flat |
| 1:4 | 93-6696 | 1 | Decal-Warning | 15 | 98-7993 | 6 | Screw-HHF |
| 2 | 107-1802 | 1 | LH Lift Arm ASM | 16 | 92-8754 | 1 | Lug-Reed Switch, Magnet |
| 2:2 | 302-5 | 2 | Fitting-Grease | 18 | 3296-51 | 2 | Nut-Lock, NI |
| 2:3 | 67-1750 | 4 | Bushing | 19 | 108-0630-03 | 3 | Joint-Arm |
| 2:4 | 93-6696 | 1 | Decal-Warning | 20 | 104-9319 | 3 | Pin-Grooved |
| 5 | 104-0028 | 2 | Guide-Hose | 21 | 323-12 | 2 | Screw-HH |
| 6 | 322-5 | 4 | Screw-HH | 22 | 75-5410 | 2 | Bracket-Arm |
| 8 | 323-11 | 1 | Screw-HH | 23 | 3296-44 | 1 | Nut-Lock, NI |
| 9 | 84-8320 | 4 | Insert-Hinge | 24 | 3296-39 | 2 | Nut-Lock, NI |
| 10 | 104-8602 | 1 | Center Lift Arm ASM | 26 | 92-9097 | 3 | Screw-Hs |
| 10:1:2 | 302-5 | 1 | Fitting-Grease | 27 | 75-4550-03 | 1 | Shaft-Lift, Center |
| 10:1:3 | 67-1750 | 2 | Bushing | 31 | 3253-4 | 4 | Washer-Lock |
| 10:2 | 93-6696 | 1 | Decal-Warning | | | | |



Rear Lift Circuit Assembly

| Ref. | Part Number | Qty. | Description | Ref. | Part Number | Qty. | Description |
|------|-------------|------|--------------------|------|-------------|------|---------------------|
| 1 | 5-0743-03 | 2 | Spring-Mower | 17 | 75-5360 | 2 | Pin-Cylinder |
| 2 | 3272-10 | 2 | Pin-Cotter | 18 | 93-9311 | 2 | Cylinder-HYD |
| 3 | 282-4 | 2 | Shackle | 19 | 340-132 | 3 | Fitting-HYD, 90 DEG |
| 4 | 32151-48 | 2 | E-Ring | 19:1 | 237-78 | 1 | O-Ring |
| 5 | 322-5 | 4 | Screw-HH | 19:2 | 237-21 | 1 | O-Ring |
| 6 | 3256-23 | 9 | Washer-Flat | 20 | 32120-93 | 4 | Ring-Retaining |
| 7 | 98-4548-03 | 1 | Bracket-Spring, RH | 21 | 3-6498 | 4 | Washer-Thrust |
| 8 | 98-4536-03 | 1 | Bracket-Spring, LH | 22 | 104-0046 | 2 | Pin-Slide, Cylinder |
| 9 | 283-6 | 2 | Pin-Clevis | 23 | 93-0069-03 | 2 | Pin-Rear |
| 10 | 3296-29 | 11 | Nut-Lock, NI | 24 | 3290-379 | 3 | Tie-Cable ● |
| 11 | 100-3831-01 | 1 | Bracket-Roller, LH | 25 | 322-6 | 4 | Screw-HH |
| 12 | 3253-4 | 2 | Washer-Lock | 26 | 340-103 | 1 | Fitting-HYD, 45 DEG |
| 13 | 32151-61 | 4 | Ring-Retaining | 26:1 | 237-78 | 1 | O-Ring |
| 14 | 75-5400 | 2 | Pin-Roller | 26:2 | 237-21 | 1 | O-Ring |
| 15 | 75-5390 | 2 | Roller | 27 | 100-3829-01 | 1 | Bracket-Roller, RH |
| 16 | 32151-36 | 4 | Ring-Retaining | | | | |

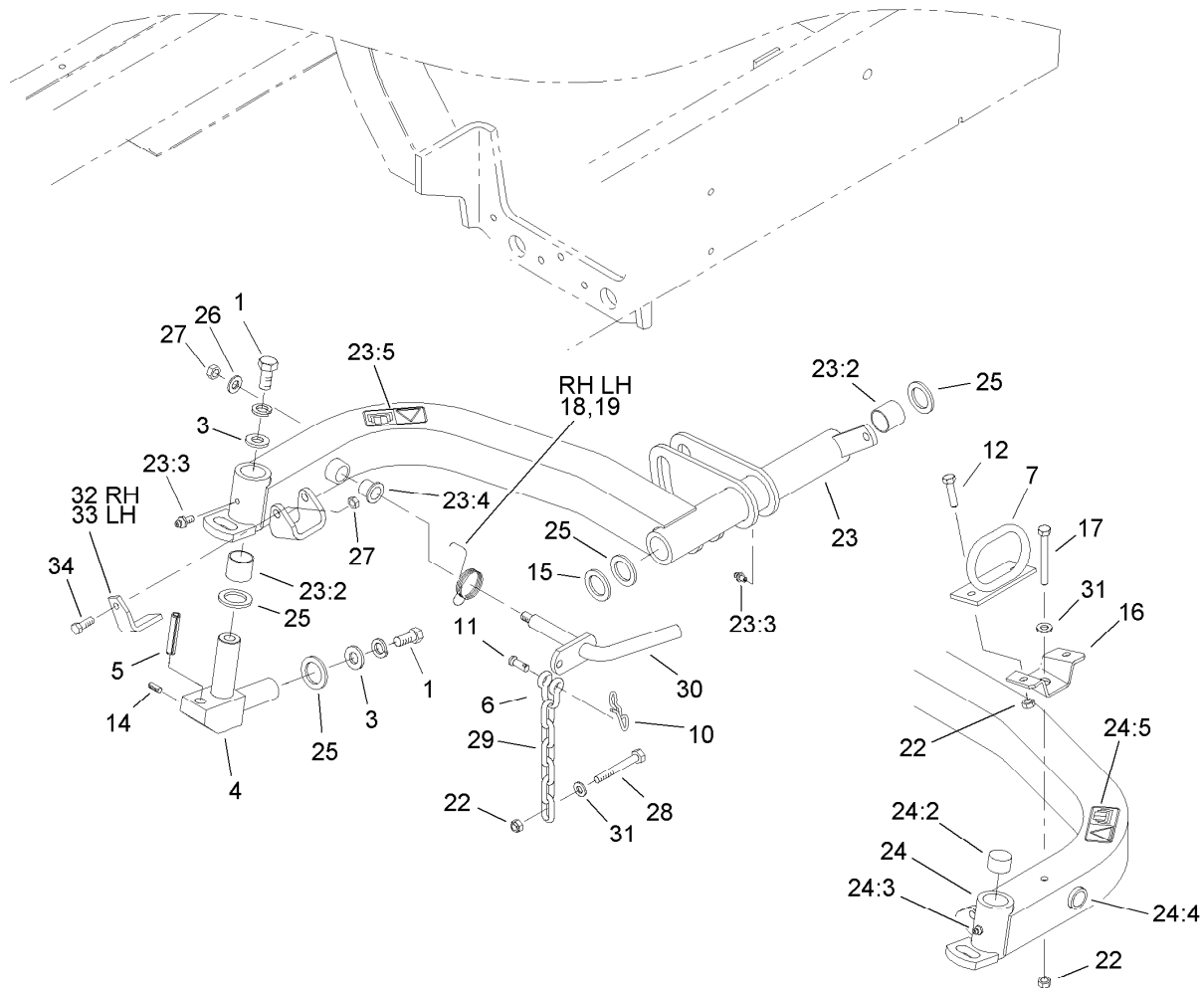
● Not illustrated



Hydraulic Cylinder Assembly No. 93-9311

| Ref. | Part Number | Qty. | Description |
|------|-------------|------|----------------|
| 1 | | 1 | Locknut ● |
| 2 | | 1 | Piston ● |
| 3 | | 1 | Head ● |
| 4 | | 1 | Collar ● |
| 5 | | 1 | Shaft W/Tube ● |
| 6 | | 1 | Barrel ASM ● |
| 7 | 86-7330 | 1 | Seal Kit |
| 7:1 | | 1 | Seal-Dust ● |
| 7:2 | | 1 | Seal-Special ● |
| 7:3 | | 1 | Seal-Dust ● |
| 7:4 | | 1 | Backup ● |
| 7:5 | | 1 | Seal-Rod ● |
| 7:6 | | 1 | Seal-Dust ● |
| 8 | 302-5 | 1 | Fitting-Grease |

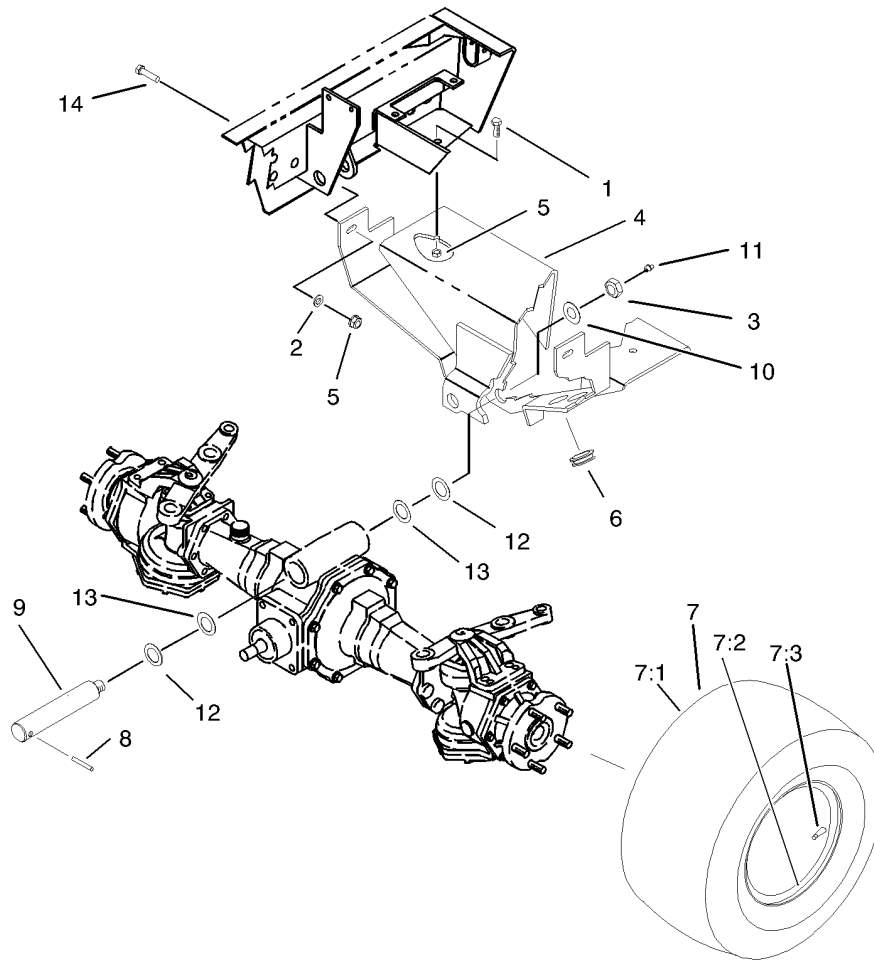
● Not serviced separately



Rear Lift Arm Assembly

| Ref. | Part Number | Qty. | Description | Ref. | Part Number | Qty. | Description |
|------|-------------|------|----------------------|------|-------------|------|------------------------|
| 1 | 98-7993 | 4 | Screw-HHF | 23:3 | 302-5 | 2 | Fitting-Grease |
| 3 | 3256-6 | 4 | Washer-Flat | 23:4 | 256-287 | 2 | Bushing |
| 4 | 108-0630-03 | 2 | Joint-Arm | 23:5 | 93-6696 | 1 | Decal-Warning |
| 5 | 104-9319 | 2 | Pin-Grooved | 24 | 100-3827 | 1 | LH Rear Lift Arm ASM |
| 6 | 282-4 | 2 | Shackle | 24:2 | 256-287 | 2 | Bushing |
| 7 | 104-0028 | 1 | Guide-Hose | 24:3 | 302-5 | 2 | Fitting-Grease |
| 9 | 3290-379 | 1 | Tie-Cable ● | 24:4 | 67-1750 | 4 | Bushing |
| 10 | 105-7512 | 2 | Pin-Tie, Bow | 24:5 | 93-6696 | 1 | Decal-Warning |
| 11 | 283-6 | 2 | Pin-Clevis | 25 | 256-115 | 12 | Washer-Thrust |
| 12 | 322-5 | 2 | Screw-HH | 26 | 3256-24 | 2 | Washer-Flat |
| 14 | 92-9097 | 2 | Screw-Hs | 27 | 3296-39 | 4 | Nut-Lock, NI |
| 15 | 93-0142 | 2 | Bushing-Straight | 28 | 322-12 | 2 | Screw-HH |
| 16 | 94-4919-03 | 1 | Bracket-Clamp, Hose | 29 | 84-2451 | 2 | Chain-Straight, 5 Link |
| 17 | 322-13 | 1 | Screw-HH | 30 | 100-3834-03 | 2 | Rod-Pivot |
| 18 | 75-4520 | 1 | Spring-Torsion, RH | 31 | 3256-23 | 3 | Washer-Flat |
| 19 | 75-4530 | 1 | Spring-Torsion, LH | 32 | 93-3640 | 1 | Stop-RH |
| 22 | 3296-29 | 4 | Nut-Lock, NI | 33 | 83-5170 | 1 | Stop-LH |
| 23 | 100-3828 | 1 | RH Rear Lift Arm ASM | 34 | 323-6 | 2 | Screw-HH |
| 23:2 | 67-1750 | 4 | Bushing | | | | |

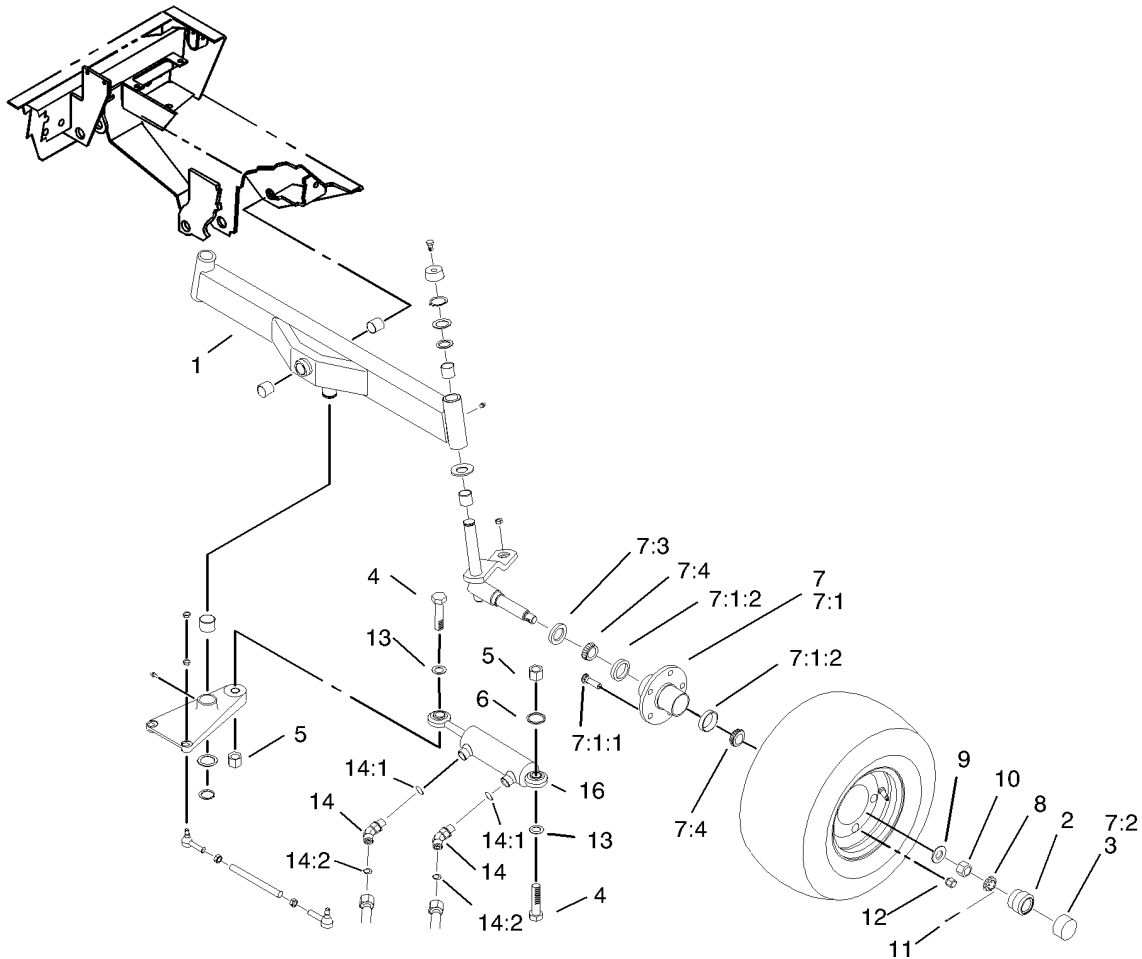
● Not illustrated



Rear Axle Support Assembly

| Ref. | Part Number | Qty. | Description |
|------|-------------|------|----------------------|
| 1 | 323-7 | 2 | Screw-HH |
| 2 | 3256-24 | 2 | Washer-Flat |
| 3 | 32146-20 | 1 | Nut-Hex |
| 4 | 98-8172-03 | 1 | Support-Axle |
| 5 | 3296-39 | 4 | Nut-Lock, NI |
| 6 | 237-165 | 2 | Grommet |
| 7 | | 2 | Tire And Wheel ASM ● |
| 7:1 | 86-5910 | 1 | Tire-6 Ply |
| 7:2 | 100-2582 | 1 | Rim |
| 7:3 | 232-27 | 1 | Stem-Valve |
| 8 | 32121-32 | 1 | Pin-Roll |
| 9 | 98-8173-03 | 1 | Pin-Pivot, Axle |
| 10 | 71-4540 | 1 | Washer-Thrust |
| 11 | 302-2 | 1 | Fitting-Grease |
| 12 | 99-8431 | 2 | Washer-Thrust |
| 13 | 99-8432 | 2 | Washer-Thrust |
| 14 | 323-13 | 2 | Screw-HH |

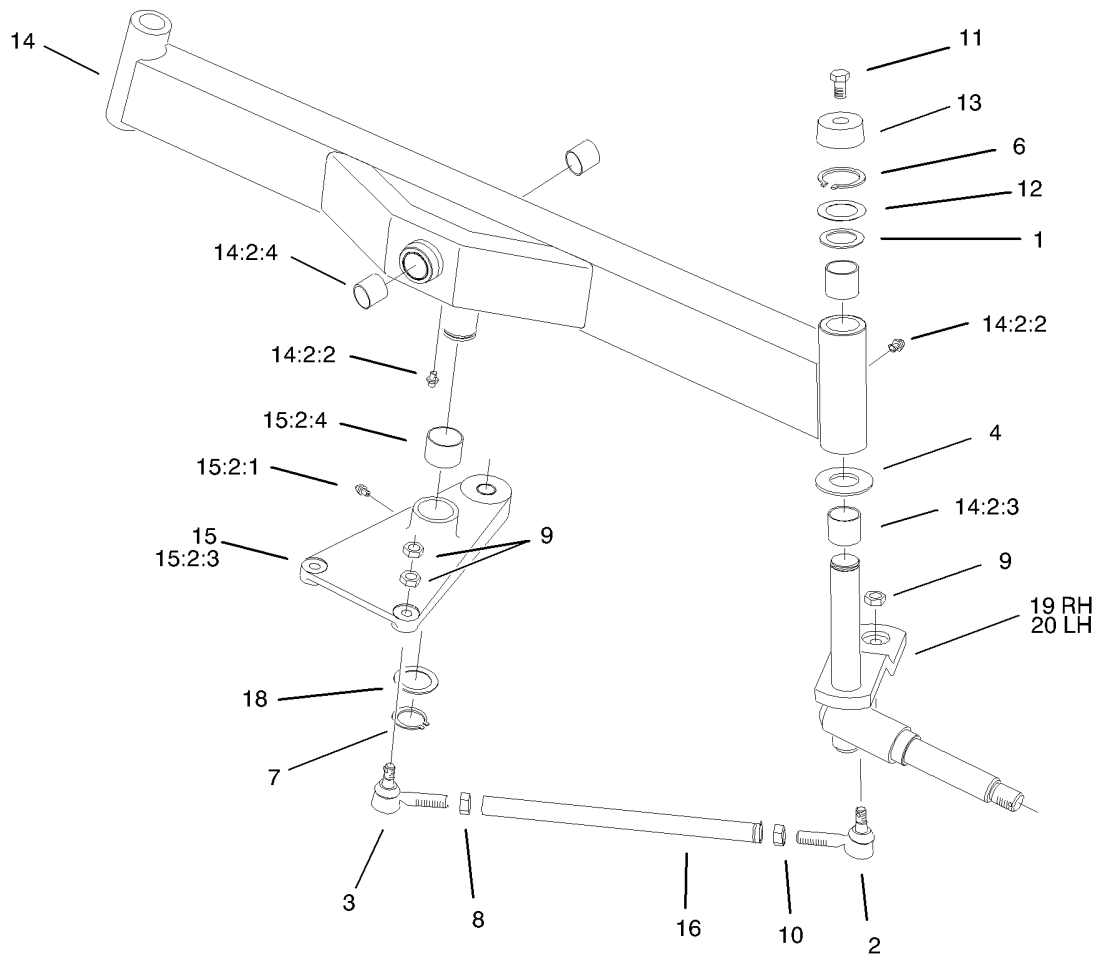
● Not serviced separately



2 Wheel Drive Axle Assembly

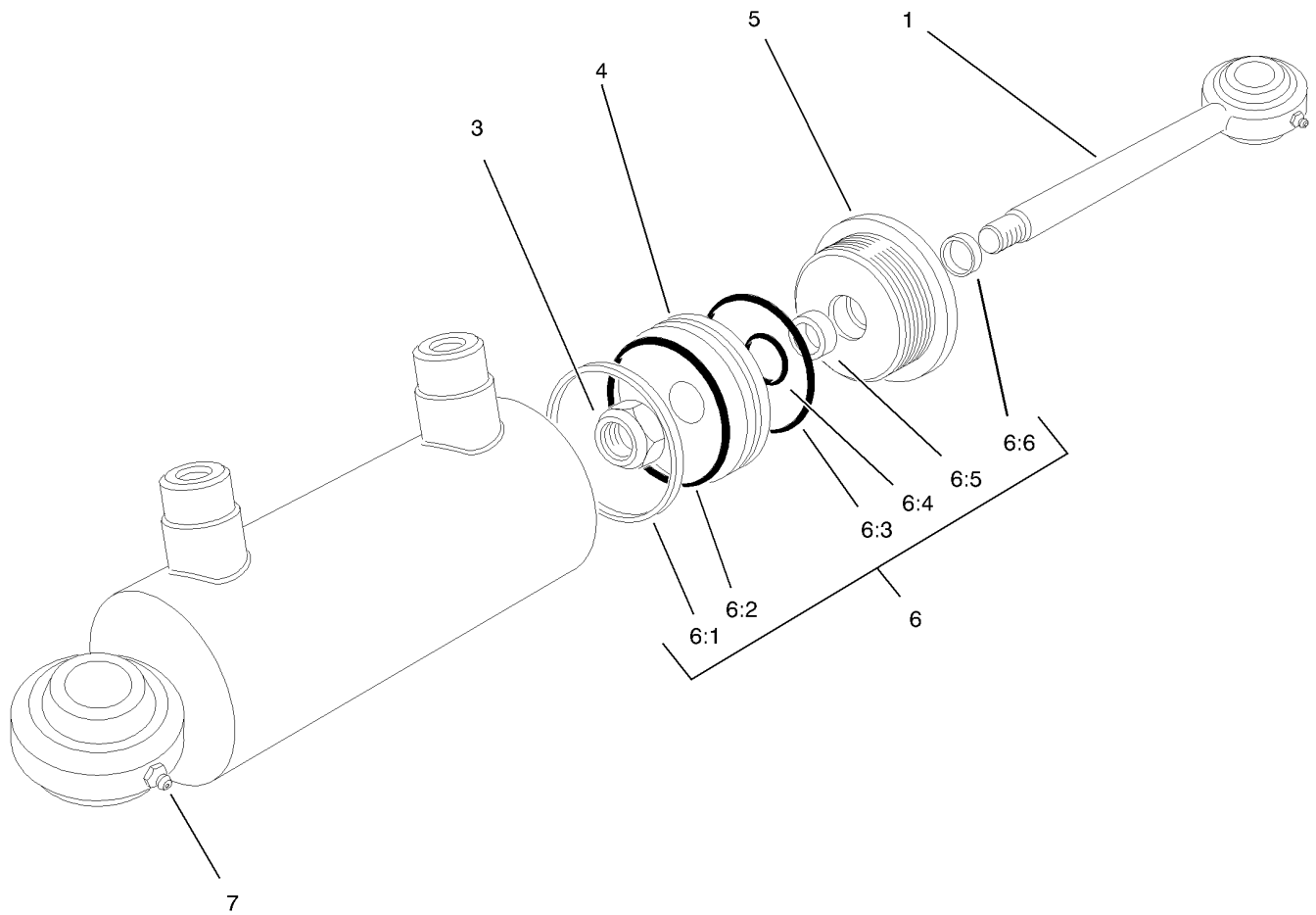
| Ref. | Part Number | Qty. | Description |
|-------|-------------|------|------------------------|
| 1 | | 1 | Axle-Rear ● |
| 2 | 100-3769 | 2 | Protector-Bearing |
| 3 | 100-3809 | 2 | Cap-Protector, Bearing |
| 4 | 328-25 | 2 | Screw-HH |
| 5 | 32153-6 | 2 | Nut-Lock |
| 6 | 67-7250 | 1 | Spacer-Ring |
| 7 | | 2 | Hub ● |
| 7:1 | 21-2820 | 1 | Hub |
| 7:1:1 | 10-6830 | 5 | Stud-Type, Drive |
| 7:1:2 | 254-72 | 2 | Bearing-Cup, Tapered |
| 7:2 | 241-119 | 1 | Cap-Dust |
| 7:3 | 253-129 | 1 | Seal |
| 7:4 | 254-94 | 2 | Bearing-Cone, Tapered |
| 8 | 93-0307 | 2 | Nut-Lock, Retainer |
| 9 | 93-0309 | 4 | Washer-Tab |
| 10 | 3220-7 | 2 | Nut-Jam |
| 11 | 3272-13 | 2 | Pin-Cotter |
| 12 | 242-50 | 10 | Nut-Lug |
| 13 | 67-9410 | 2 | Washer |
| 14 | 340-103 | 2 | Fitting-HYD, 45 DEG |
| 14:1 | 237-78 | 1 | O-Ring |
| 14:2 | 237-21 | 1 | O-Ring |
| 16 | 75-1200 | 1 | Cylinder-HYD |

● Not serviced separately



Rear Axle Assembly

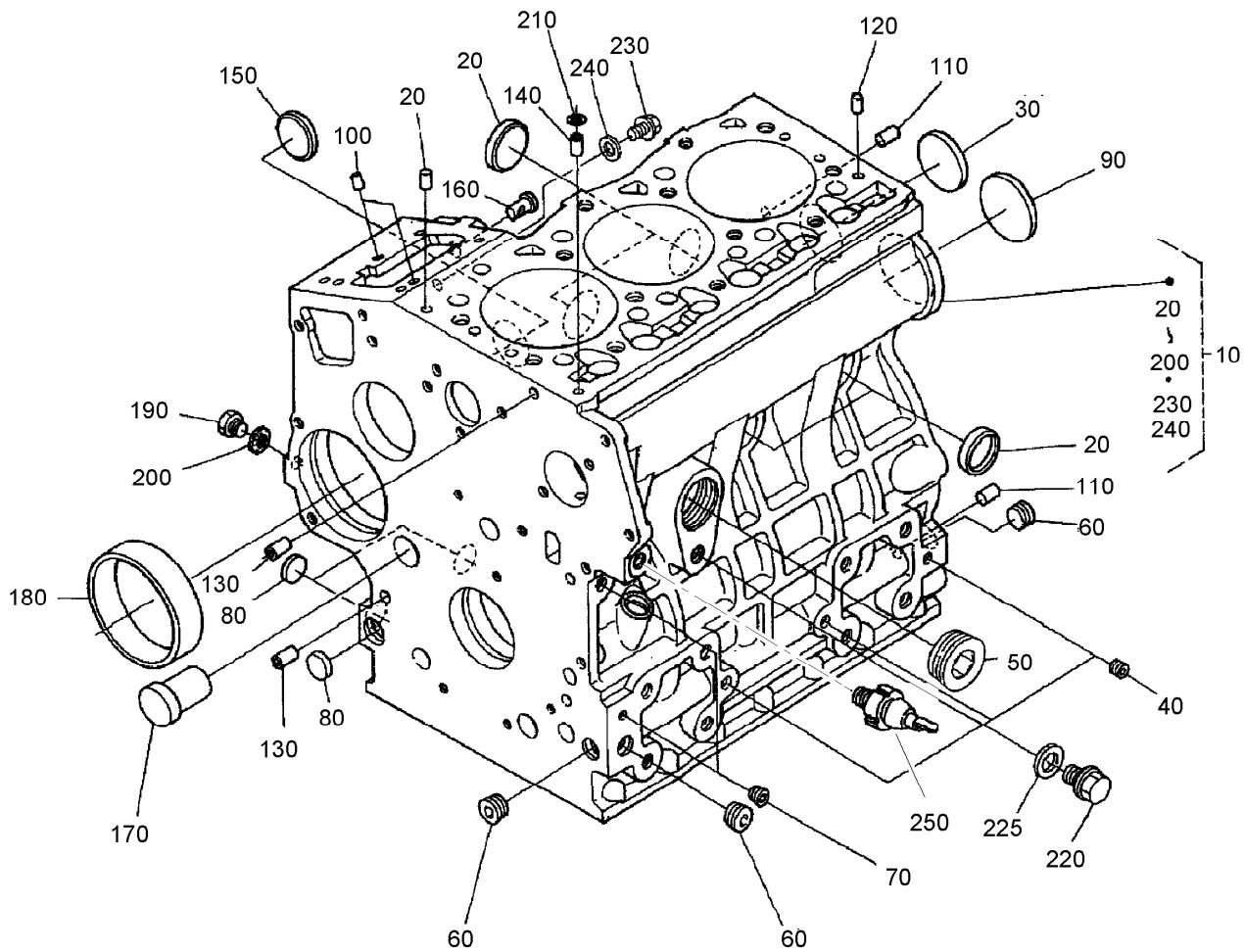
| Ref. | Part Number | Qty. | Description |
|--------|-------------|------|--------------------------|
| 1 | 10-8110 | 2 | Washer-Thrust |
| 2 | 21-0141 | 2 | RH Ball Joint ASM |
| 3 | 21-0151 | 2 | LH Ball Joint ASM |
| 4 | 256-121 | 2 | Washer-Thrust |
| 6 | 32151-36 | 2 | Ring-Retaining |
| 7 | 32151-77 | 1 | Ring-Retaining, External |
| 8 | 3220-12 | 2 | Nut-HJ (LH Thread) |
| 9 | 3220-3 | 8 | Nut-HJ |
| 10 | 3220-5 | 2 | Nut-Jam |
| 11 | 3234-13 | 2 | Screw-HHF |
| 12 | 5-1226 | 2 | Washer |
| 13 | 66-2990 | 2 | Cap-Spindle |
| 14 | 99-6935-03 | 1 | Rear Axle ASM |
| 14:2:2 | 302-5 | 2 | Fitting-Grease |
| 14:2:3 | 67-1750 | 4 | Bushing |
| 14:2:4 | 99-6964 | 2 | Bushing-Axle |
| 15 | 75-4410-03 | 1 | Pivot Plate ASM |
| 15:2:1 | 302-5 | 1 | Fitting-Grease |
| 15:2:3 | 75-2910 | 1 | Plate-Pivot |
| 15:2:4 | 76-2970 | 2 | Bushing-Straight |
| 16 | 75-3130-03 | 2 | Rod-Tie |
| 18 | 76-2980 | 1 | Washer-Thrust |
| 19 | 93-7000-03 | 1 | Spindle-RH |
| 20 | 93-7001-03 | 1 | Spindle-LH |



Hydraulic Steering Cylinder Assembly No. 75-1200

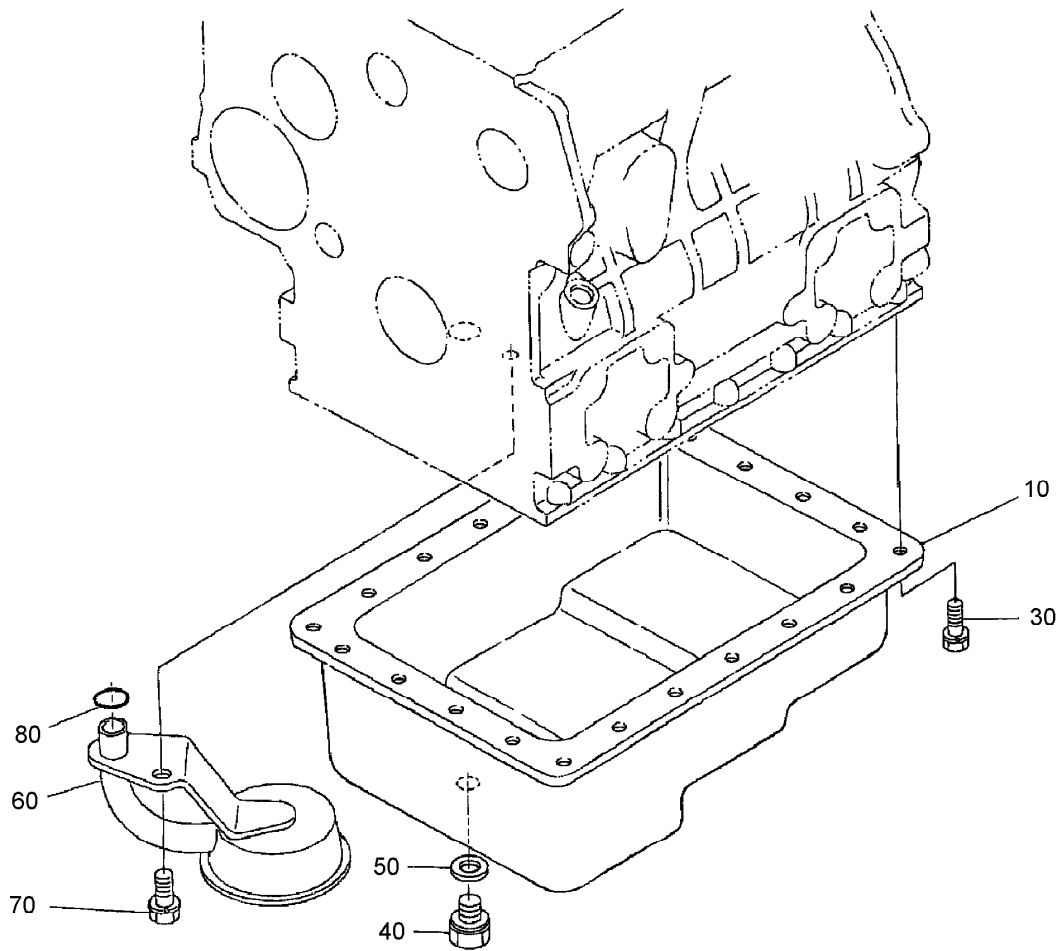
| <i>Ref.</i> | <i>Part Number</i> | <i>Qty.</i> | <i>Description</i> |
|-------------|--------------------|-------------|--------------------|
| 1 | | 1 | Rod ● |
| 3 | | 1 | Nut ● |
| 4 | | 1 | Piston ● |
| 5 | | 1 | Head ● |
| 6 | 75-1250 | 1 | Seal Kit |
| 6:1 | | 1 | Ring-Servon ● |
| 6:2 | | 1 | Seal-Dust ● |
| 6:3 | | 1 | Seal-Dust ● |
| 6:4 | | 1 | Seal-Dust ● |
| 6:5 | | 1 | U-Cup ● |
| 6:6 | | 1 | Wiper ● |
| 7 | 302-5 | 2 | Fitting-Grease |

● Not serviced separately



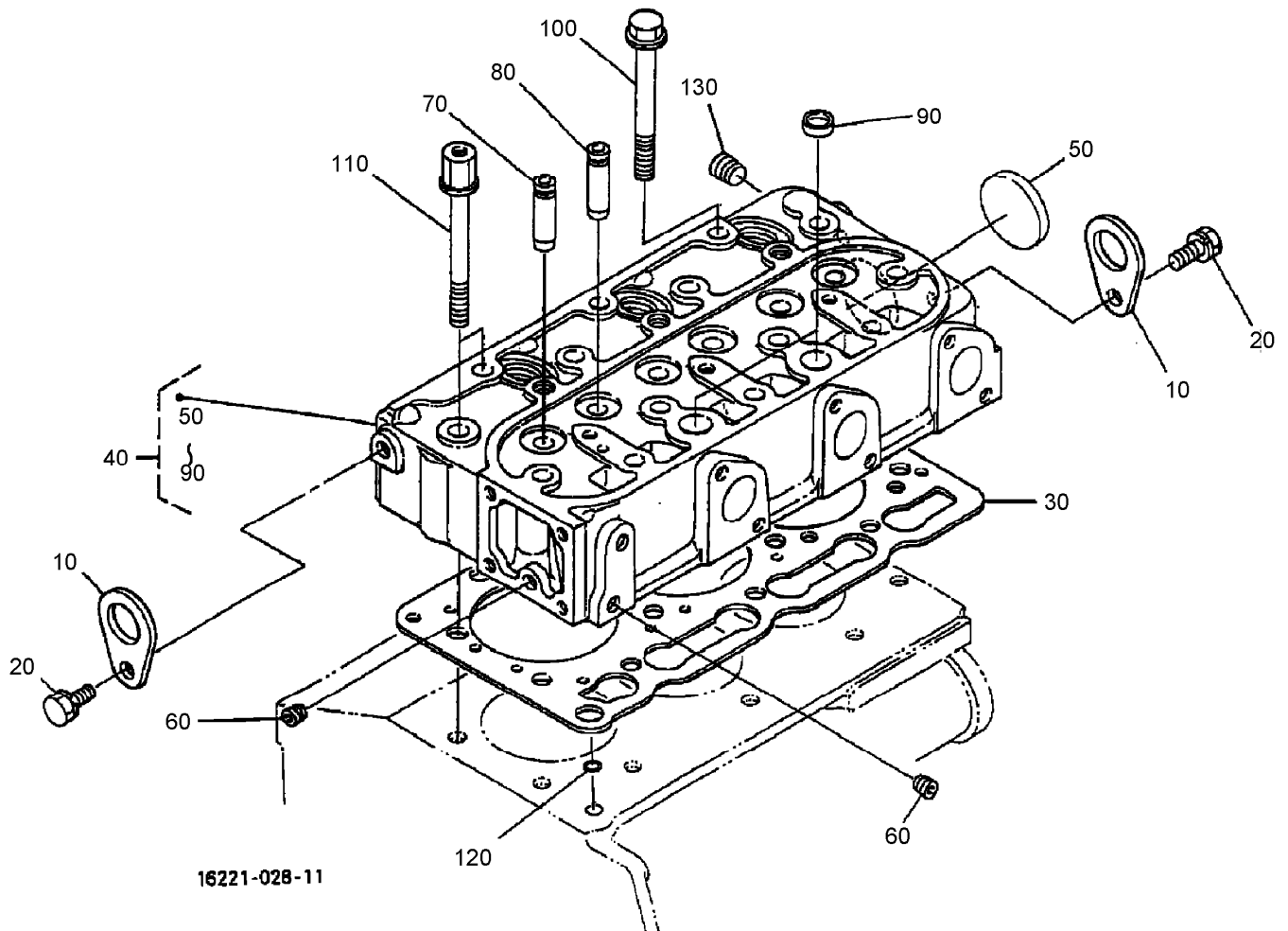
Crankcase Assembly

| <i>Ref.</i> | <i>Part Number</i> | <i>Qty.</i> | <i>Description</i> | <i>Ref.</i> | <i>Part Number</i> | <i>Qty.</i> | <i>Description</i> |
|-------------|--------------------|-------------|--------------------|-------------|--------------------|-------------|------------------------|
| 10 | 107-9064 | 1 | Crankcase ASM | 140 | 98-9539 | 1 | Pin-Pipe |
| 20 | 98-9398 | 4 | Cap-Sealing | 150 | 98-9599 | 1 | Plug |
| 30 | 98-7539 | 1 | Cap-Sealing | 160 | 98-9630 | 1 | Pin-Spring, Start |
| 40 | 98-7540 | 3 | Plug | 170 | 98-9675 | 1 | Plug |
| 50 | 105-3779 | 1 | Plug | 180 | 98-9656 | 1 | Bushing-Governor, Gear |
| 60 | 98-9597 | 3 | Plug | 190 | 98-7507 | 1 | Plug |
| 70 | 98-7487 | 2 | Plug | 200 | 98-7428 | 1 | Gasket |
| 80 | 98-7489 | 3 | Plug | 210 | 98-7509 | 1 | O-Ring |
| 90 | 98-9668 | 1 | Plug-Expansion | 220 | 99-3447 | 1 | Plug |
| 100 | 98-9375 | 2 | Pin-Straight | 225 | 106-7056 | 1 | Gasket |
| 110 | 98-9377 | 2 | Pin-Straight | 230 | 99-8363 | 1 | Bolt-Flange |
| 120 | 105-3795 | 2 | Pin-Straight | 240 | 98-7654 | 1 | Gasket |
| 130 | 98-9387 | 2 | Pin-Pipe | 250 | 98-9416 | 1 | Switch-Oil |



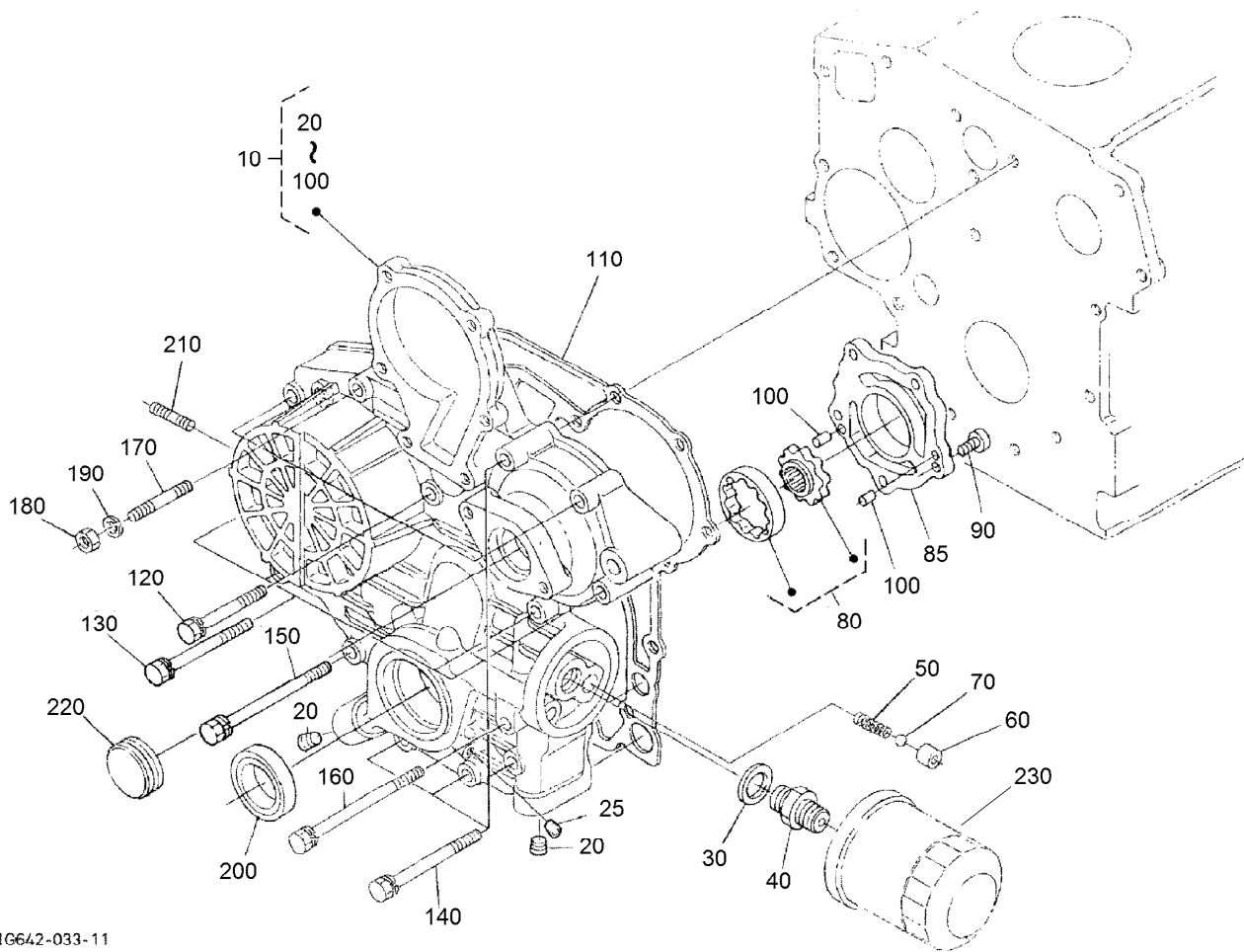
Oil Pan Assembly

| <i>Ref.</i> | <i>Part Number</i> | <i>Qty.</i> | <i>Description</i> |
|-------------|--------------------|-------------|--------------------|
| 10 | 104-3495 | 1 | Pan-Oil |
| 30 | 107-9065 | 22 | Bolt |
| 40 | 98-9386 | 1 | Plug |
| 50 | 98-7524 | 1 | Gasket |
| 60 | 104-3496 | 1 | Filter-Pickup, Oil |
| 70 | 98-7526 | 1 | Bolt |
| 80 | 105-3776 | 1 | O-Ring |



Cylinder Head Assembly

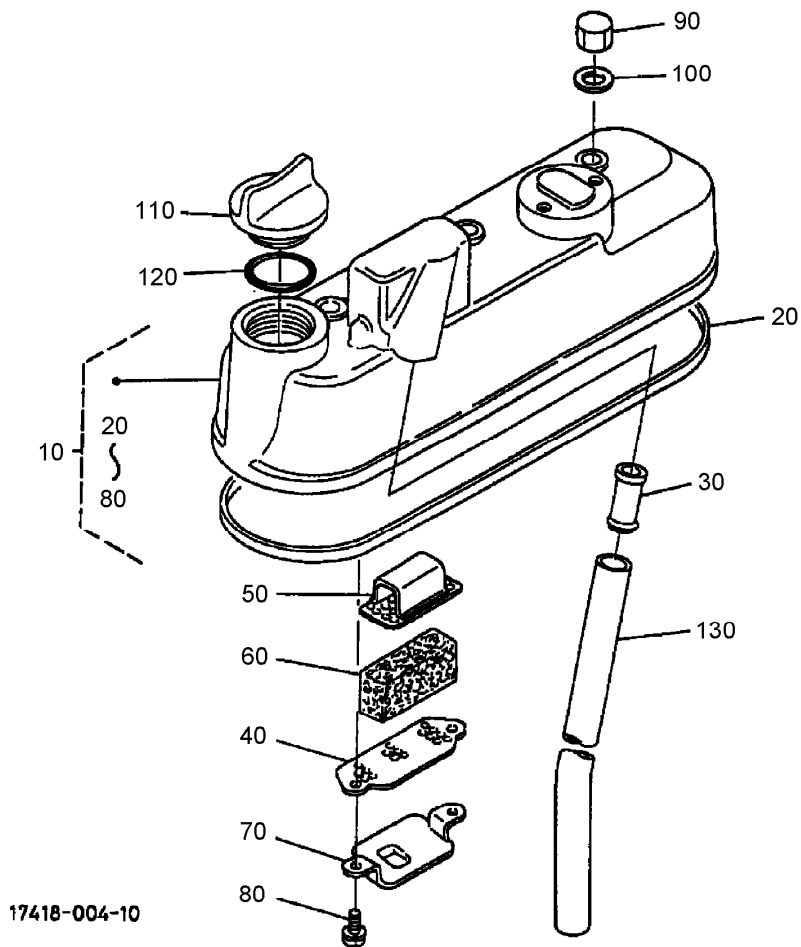
| <i>Ref.</i> | <i>Part Number</i> | <i>Qty.</i> | <i>Description</i> |
|-------------|--------------------|-------------|-----------------------|
| 10 | 98-7531 | 2 | Hook-Engine |
| 20 | 100-9195 | 2 | Bolt |
| 30 | 105-3780 | 1 | Gasket-Head, Cylinder |
| 40 | 98-9460 | 1 | Cylinder Head ASM |
| 50 | 98-9395 | 1 | Cap-Sealing |
| 60 | 98-7540 | 2 | Plug |
| 70 | 107-9066 | 3 | Guide-Valve, Inlet |
| 80 | 107-9067 | 3 | Guide-Valve, Exhaust |
| 90 | 98-9389 | 2 | Cap-Sealing |
| 100 | 98-9479 | 1 | Bolt-Head, Cylinder |
| 110 | 98-9647 | 2 | Bolt-Head, Cylinder |
| 120 | 98-7509 | 1 | O-Ring |
| 130 | 98-9444 | 1 | Plug |



1G642-033-11

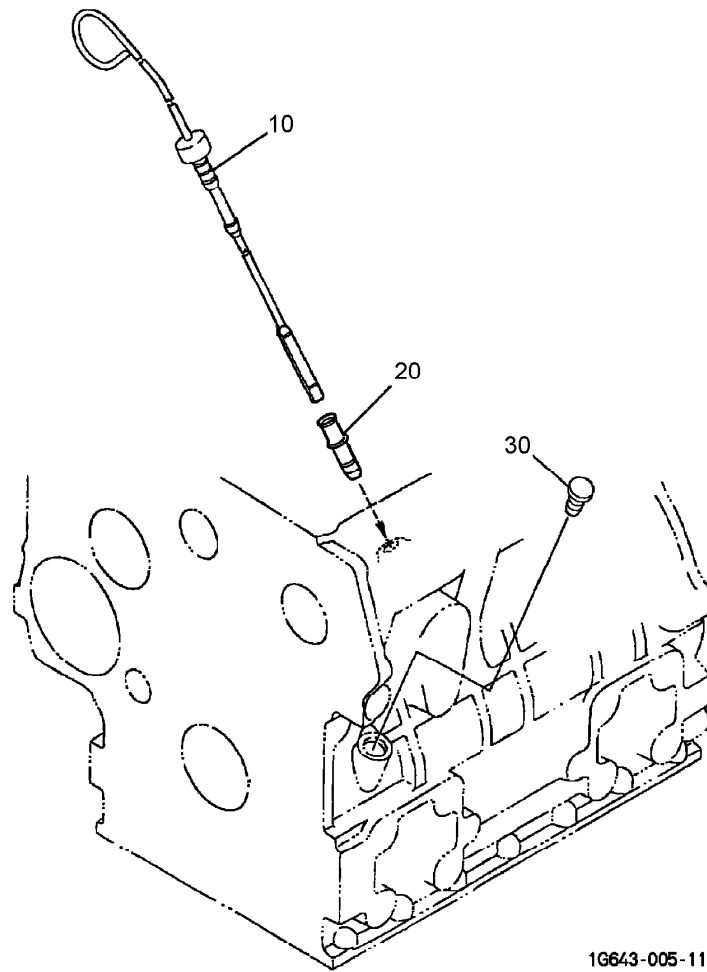
Gear Case Assembly

| <i>Ref.</i> | <i>Part Number</i> | <i>Qty.</i> | <i>Description</i> | <i>Ref.</i> | <i>Part Number</i> | <i>Qty.</i> | <i>Description</i> |
|-------------|--------------------|-------------|--------------------|-------------|--------------------|-------------|--------------------|
| 10 | 107-9068 | 1 | Gear Case ASM | 120 | 107-9073 | 3 | Bolt |
| 20 | 98-9598 | 2 | Plug | 130 | 105-3797 | 4 | Bolt |
| 25 | 98-7487 | 1 | Plug | 140 | 98-9356 | 4 | Bolt |
| 30 | 98-7562 | 1 | Washer-Plain | 150 | 107-9074 | 1 | Bolt |
| 40 | 98-9388 | 1 | Joint-Pipe | 160 | 98-9586 | 1 | Bolt |
| 50 | 98-9544 | 1 | Spring | 170 | 105-3709 | 1 | Stud |
| 60 | 98-9543 | 1 | Seat-Valve | 180 | 98-7572 | 1 | Nut |
| 70 | 98-9380 | 1 | Ball | 190 | 98-7699 | 1 | Washer-Spring |
| 80 | 98-9540 | 1 | Oil Pump Rotor ASM | 200 | 98-9482 | 1 | Seal-Oil |
| 85 | 107-9069 | 1 | Cover-Pump, Oil | 210 | 105-3710 | 2 | Stud |
| 90 | 107-9071 | 5 | Screw | 220 | 98-9641 | 1 | Cover-Case, Gear |
| 100 | 107-9072 | 2 | Pin-Straight | 230 | 104-5167 | 1 | Filter-Oil |
| 110 | 98-9633 | 1 | Gasket-Case, Gear | | | | |



Head Cover Assembly

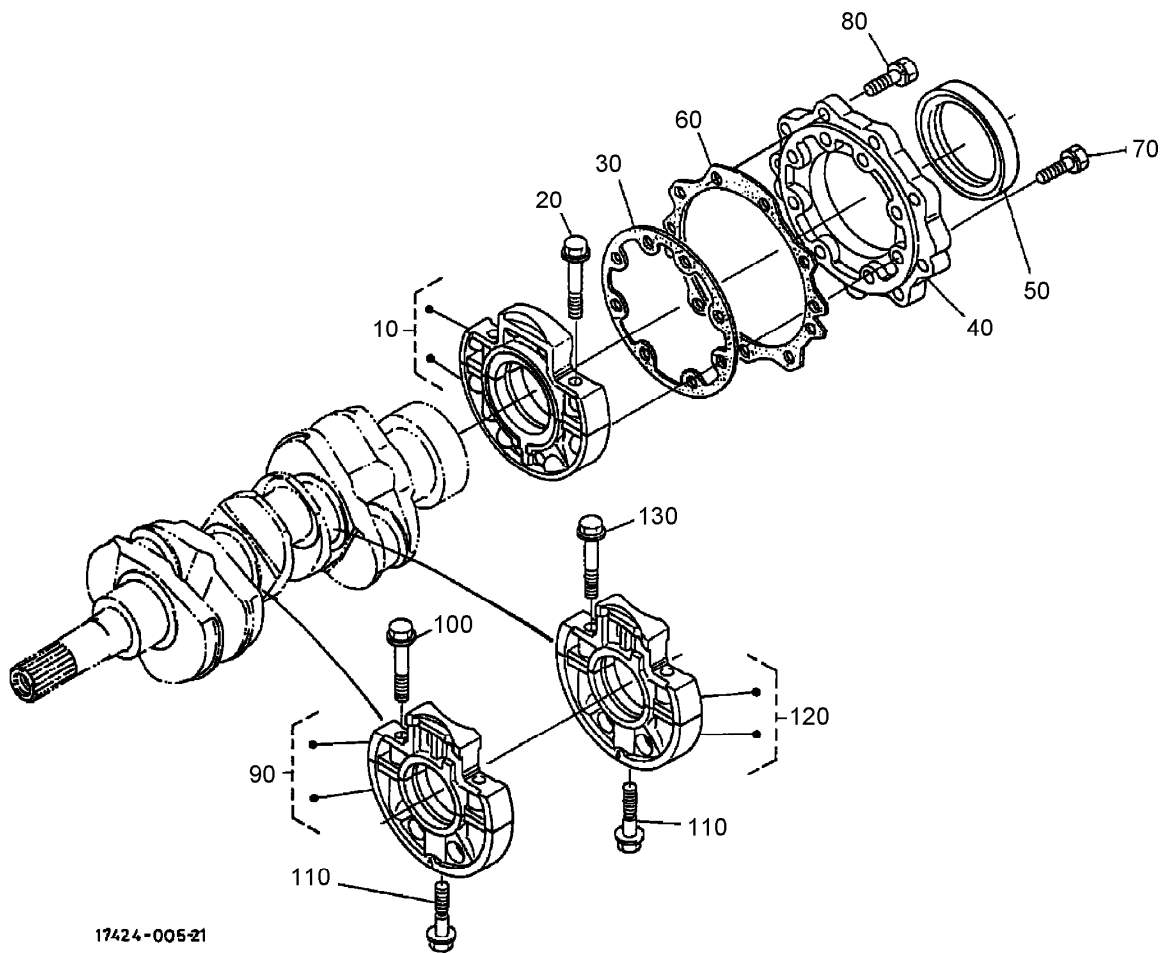
| <i>Ref.</i> | <i>Part Number</i> | <i>Qty.</i> | <i>Description</i> |
|-------------|--------------------|-------------|-------------------------|
| 10 | 98-9614 | 1 | Cylinder Head Cover ASM |
| 20 | 98-9615 | 1 | Gasket-Cover, Head |
| 30 | 98-9492 | 1 | Joint-Pipe, Breather |
| 40 | 98-9488 | 1 | Plate-Element, Breather |
| 50 | 98-9489 | 1 | Plate-Element, Breather |
| 60 | 98-9493 | 1 | Element-Breather |
| 70 | 98-9490 | 1 | Shield-Oil, Breather |
| 80 | 98-9364 | 2 | Screw (With Washer) |
| 90 | 98-9455 | 3 | Nut-Cap |
| 100 | 98-9454 | 3 | Gasket |
| 110 | 107-9075 | 1 | Plug-Filler, Oil |
| 120 | 99-3446 | 1 | O-Ring |
| 130 | 98-9491 | 1 | Pipe-Breather |



1G643-005-11

Dipstick and Guide Assembly

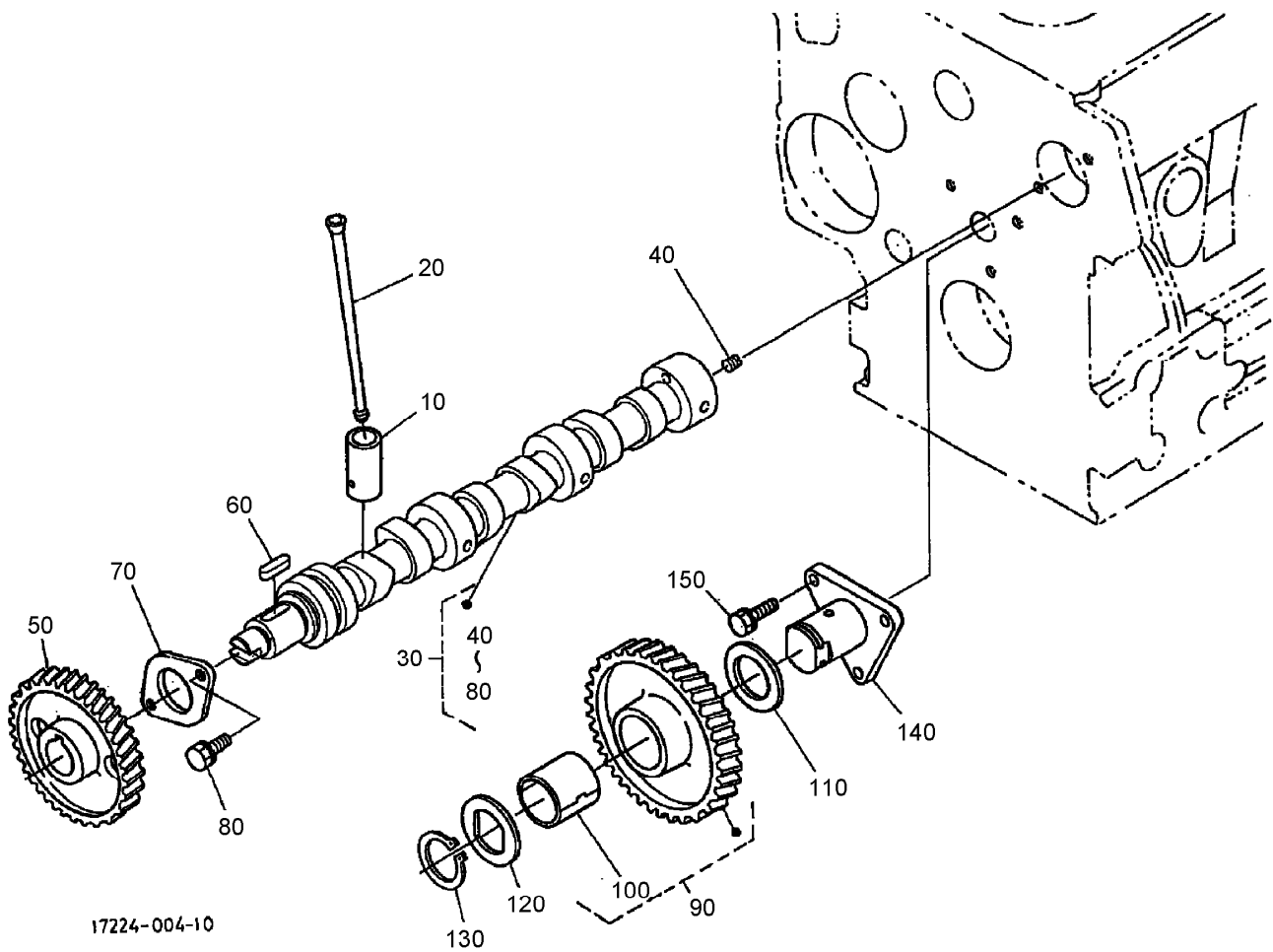
| <i>Ref.</i> | <i>Part Number</i> | <i>Qty.</i> | <i>Description</i> |
|-------------|--------------------|-------------|--------------------|
| 10 | 107-9076 | 1 | Gauge-Oil |
| 20 | 105-3713 | 1 | Guide-Gauge, Oil |
| 30 | 105-3715 | 1 | Plug-Gauge, Oil |



17424-005-21

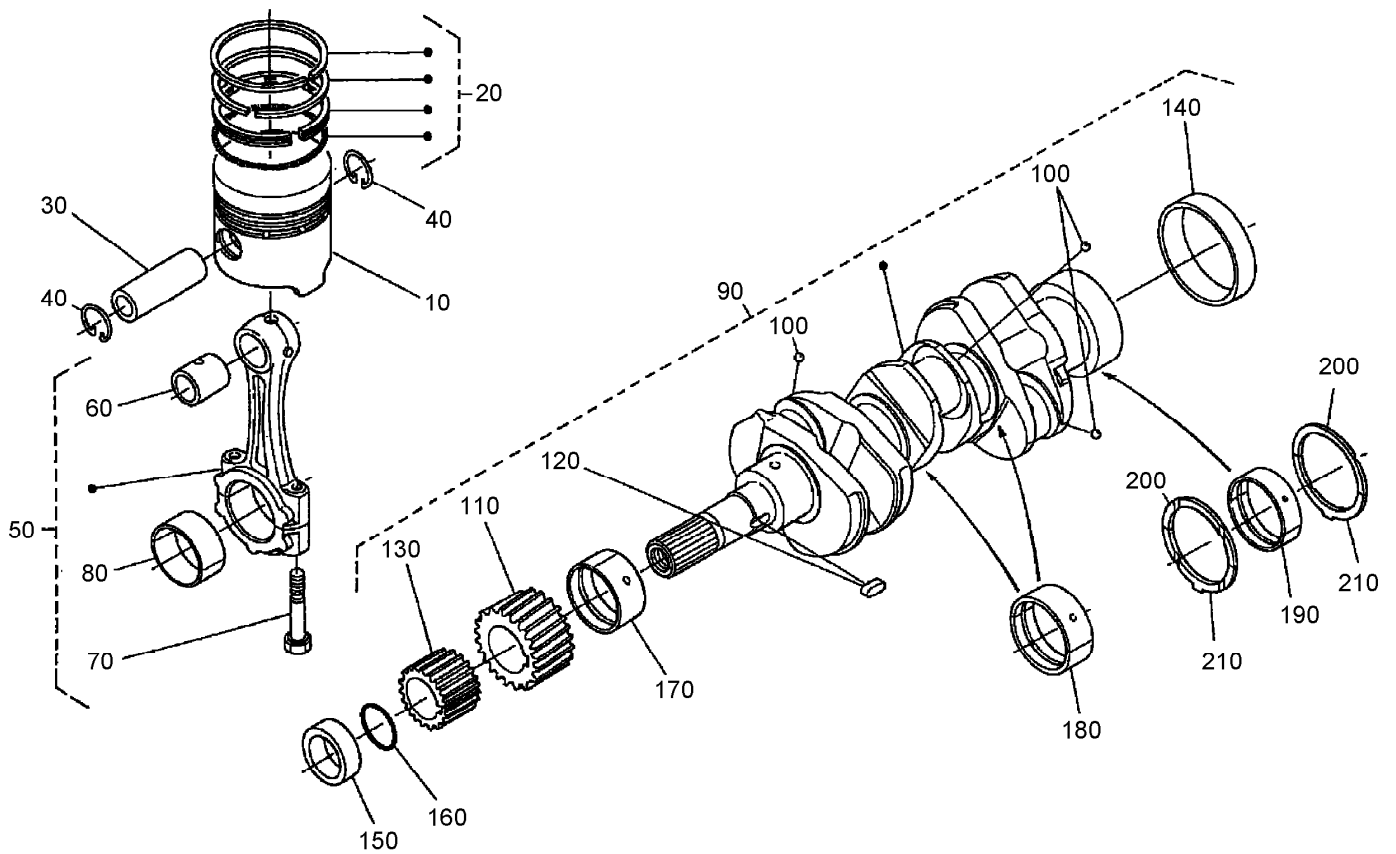
Main Bearing Case Assembly

| <i>Ref.</i> | <i>Part Number</i> | <i>Qty.</i> | <i>Description</i> |
|-------------|--------------------|-------------|----------------------------|
| 10 | 98-9480 | 1 | Main Bearing Case ASM |
| 20 | 98-9484 | 6 | Bolt-Case, Bearing |
| 30 | 98-9634 | 1 | Gasket-Case, Bearing |
| 40 | 98-9487 | 1 | Cover-Case, Bearing |
| 50 | 98-9483 | 1 | Seal-Oil |
| 60 | 98-9635 | 1 | Gasket-Cover, Bearing Case |
| 70 | 98-9352 | 8 | Bolt |
| 80 | 98-7568 | 9 | Bolt |
| 90 | 98-9606 | 1 | Main Bearing Case ASM |
| 100 | 98-9484 | 2 | Bolt-Case, Bearing |
| 110 | 98-9485 | 2 | Bolt-Case, Bearing |
| 120 | 98-9607 | 1 | Main Bearing Case ASM |
| 130 | 98-9484 | 2 | Bolt-Case, Bearing |



Camshaft And Idle Gear Shaft Assembly

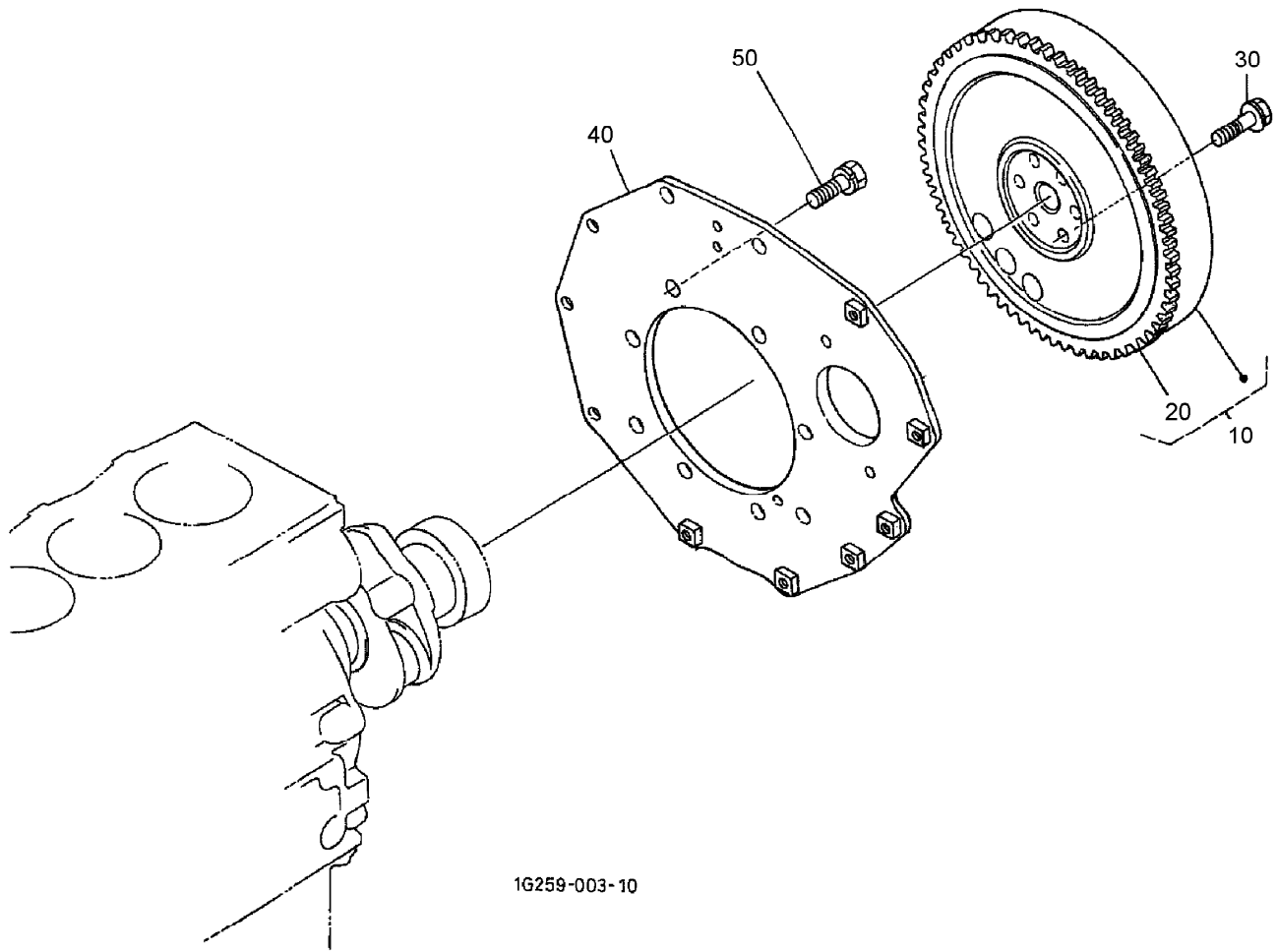
| <i>Ref.</i> | <i>Part Number</i> | <i>Qty.</i> | <i>Description</i> |
|-------------|--------------------|-------------|--------------------|
| 10 | 98-9616 | 6 | Tappet |
| 20 | 98-9509 | 6 | Rod-Push |
| 30 | 98-9617 | 1 | Camshaft ASM |
| 40 | 98-7449 | 1 | Screw-Set |
| 50 | 98-9512 | 1 | Gear-Cam |
| 60 | 98-9378 | 1 | Key-Feather |
| 70 | 98-9510 | 1 | Stopper-Camshaft |
| 80 | 98-9351 | 2 | Bolt |
| 90 | 98-9649 | 1 | Idle Gear ASM |
| 100 | 98-9650 | 1 | Bushing-Gear, Idle |
| 110 | 98-9535 | 1 | Collar-Gear, Idle |
| 120 | 98-9536 | 1 | Collar-Gear, Idle |
| 130 | 98-9534 | 1 | Circlip-Gear, Idle |
| 140 | 98-9533 | 1 | Shaft-Gear, Idle |
| 150 | 98-7692 | 3 | Bolt |



16221-009-10

Piston and Crankshaft Assembly

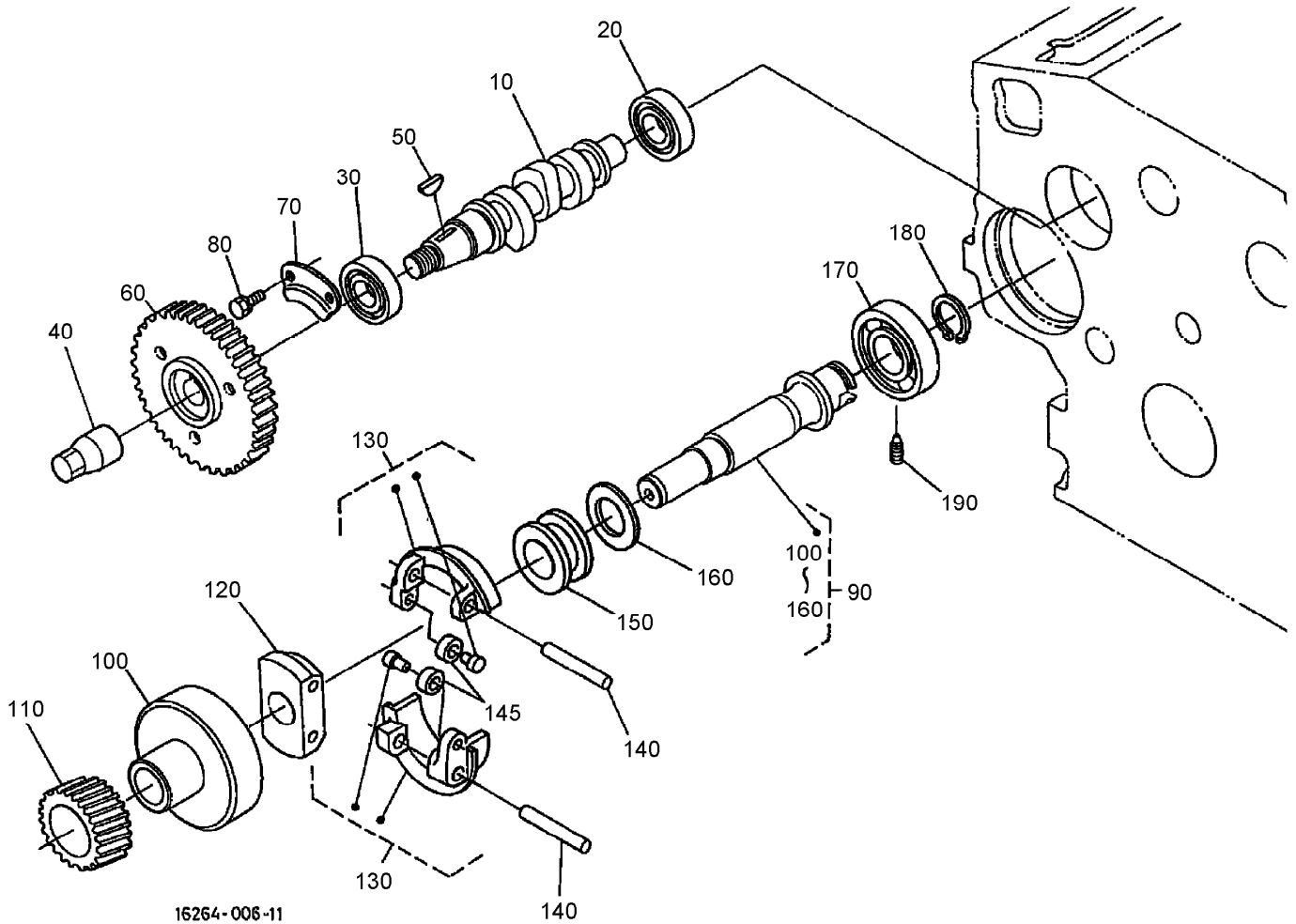
| <i>Ref.</i> | <i>Part Number</i> | <i>Qty.</i> | <i>Description</i> | <i>Ref.</i> | <i>Part Number</i> | <i>Qty.</i> | <i>Description</i> |
|-------------|--------------------|-------------|-------------------------|-------------|--------------------|-------------|----------------------------|
| 10 | 98-9470 | 3 | Piston (0.5Mm) | 150 | 98-9521 | 1 | Collar-Crankshaft |
| 10 | 98-9469 | 3 | *obs* Piston (STD) | 160 | 105-3783 | 1 | O-Ring |
| 20 | 98-9619 | 3 | Piston Ring ASM (0.5Mm) | 170 | 98-9523 | 1 | Metal Crankshaft (STD) |
| 20 | 98-9618 | 3 | Piston Ring ASM (STD) | 170 | 98-9528 | 1 | Bearing-Main (-0.2Mm) |
| 30 | 98-9513 | 3 | Pin-Piston | 170 | 98-9529 | 1 | Bearing-Main (0.4Mm) |
| 40 | 98-9514 | 6 | Circlip-Pin, Piston | 180 | 98-9524 | 2 | Metal-Crankshaft (STD Set) |
| 50 | 98-9516 | 3 | Connecting Rod ASM | 180 | 98-9530 | 2 | Bearing-Main (0.2Mm) |
| 60 | 98-9515 | 3 | Bushing-Pin, Piston | 180 | 98-9531 | 2 | Bearing-Main (0.4Mm) |
| 70 | 98-9517 | 6 | Bolt-Rod, Connecting | 190 | 98-9556 | 1 | Bearing-Main (STD) |
| 80 | 98-9520 | 3 | Bearing-Rod (0.4Mm) | 190 | 105-3719 | 1 | Metal-Crankshaft (.2Mm) |
| 80 | 98-9519 | 3 | Bearing-Rod (0.2Mm) | 190 | 105-3720 | 1 | Metal-Crankshaft (.4Mm) |
| 80 | 98-9518 | 3 | Metal-Crankpin (STD) | 200 | 98-9413 | 2 | Bearing-Thrust (STD) |
| 90 | 98-9642 | 1 | Crankshaft ASM | 200 | 98-9414 | 2 | Bearing-Thrust (0.2Mm) |
| 100 | 98-7473 | 3 | Ball | 200 | 98-9415 | 2 | Bearing-Thrust (0.4Mm) |
| 110 | 98-9532 | 1 | Gear-Crankshaft | 210 | 98-9688 | 2 | Bearing-Thrust (STD) |
| 120 | 98-9666 | 1 | Key | 210 | 98-9689 | 2 | Bearing-Thrust (0.2Mm) |
| 130 | 98-9542 | 1 | Gear-Drive, Oil Pump | 210 | 98-9690 | 2 | Bearing-Thrust (0.4Mm) |
| 140 | 98-9522 | 1 | Sleeve-Crankshaft | | | | |



1G259-003-10

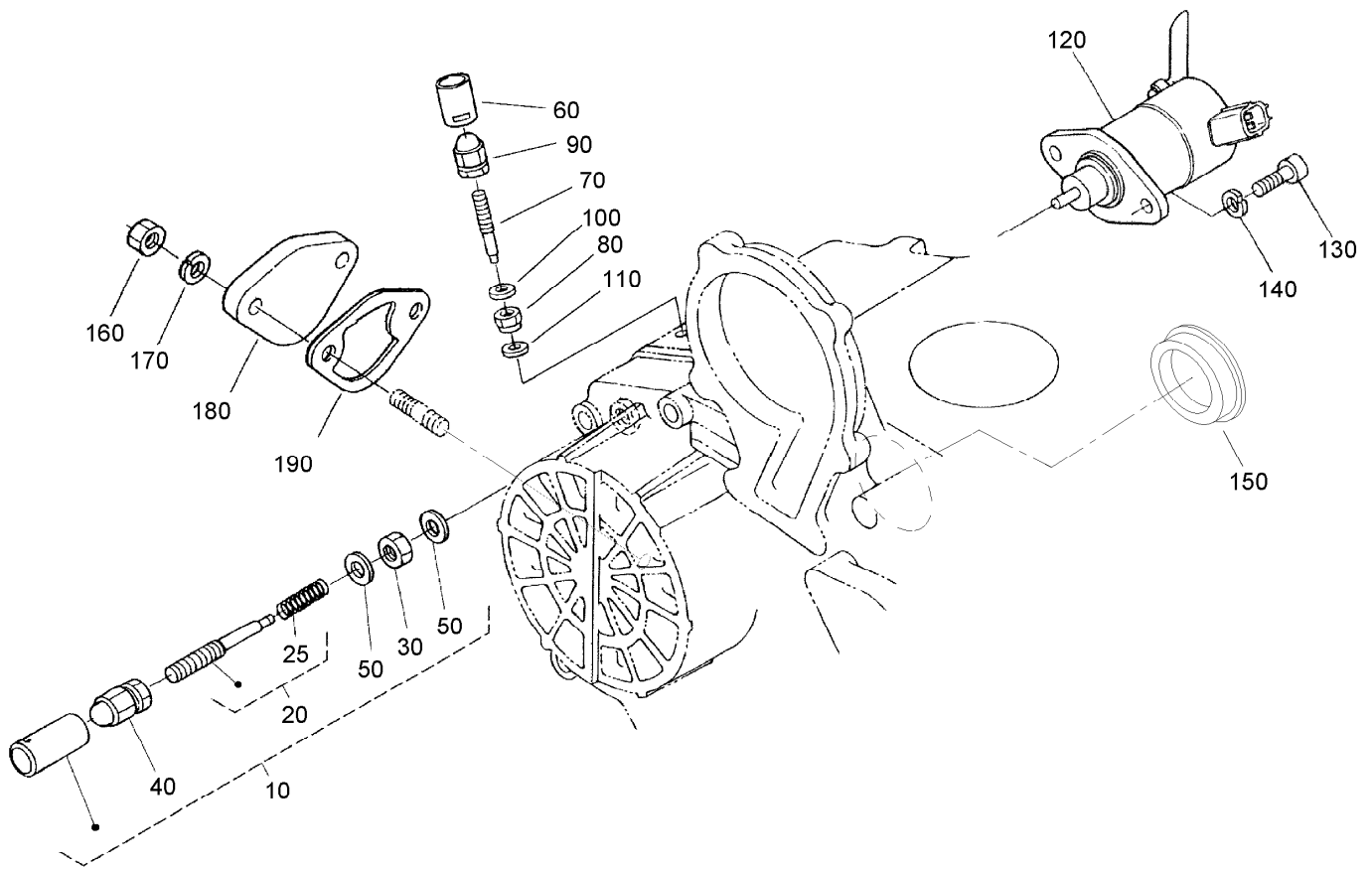
Flywheel Assembly

| <i>Ref.</i> | <i>Part Number</i> | <i>Qty.</i> | <i>Description</i> |
|-------------|--------------------|-------------|--------------------|
| 10 | 105-3784 | 1 | Flywheel ASM |
| 20 | 105-3722 | 1 | Gear-Ring |
| 30 | 98-9537 | 6 | Bolt-Flywheel |
| 40 | 98-9486 | 1 | Plate-End, Rear |
| 50 | 98-9392 | 8 | Bolt |



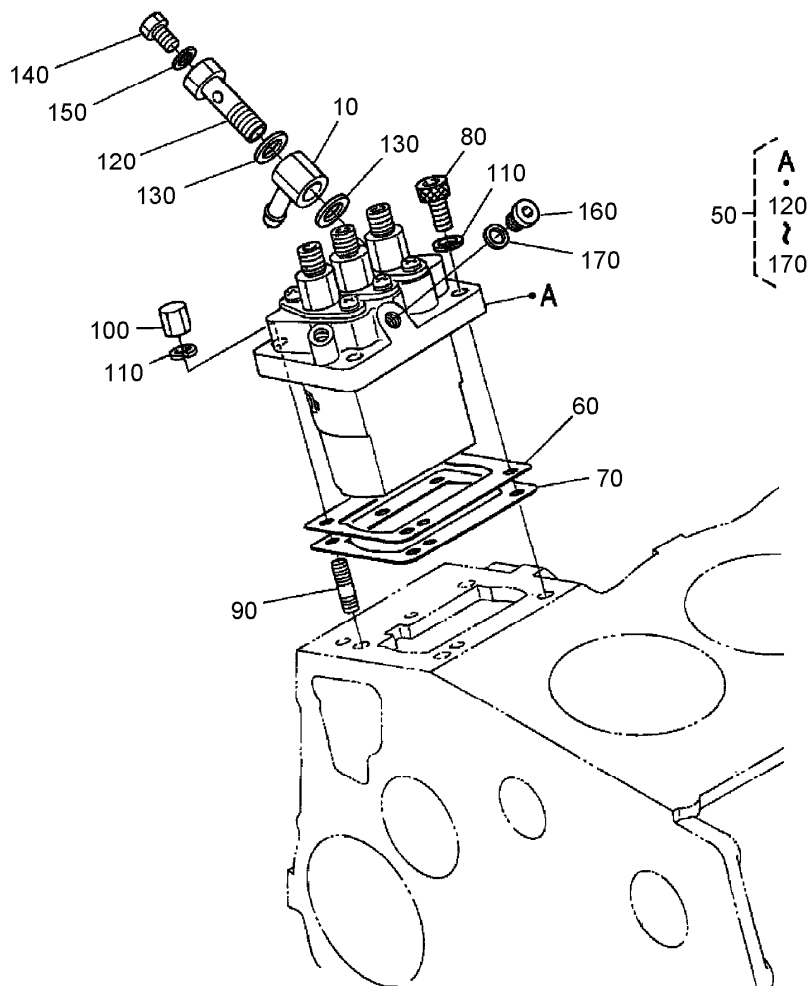
Fuel Camshaft and Governor Shaft Assembly

| Ref. | Part Number | Qty. | Description |
|------|-------------|------|-------------------------|
| 10 | 98-9459 | 1 | Camshaft-Fuel |
| 20 | 107-9077 | 1 | Bearing-Ball |
| 30 | 107-9078 | 1 | Bearing-Ball |
| 40 | 98-9590 | 1 | Nut-Cap |
| 50 | 98-9595 | 1 | Key-Woodruff |
| 60 | 98-9669 | 1 | Gear-Pump, Injection |
| 70 | 98-9511 | 1 | Stopper-Fuel, Camshaft |
| 80 | 98-9350 | 2 | Bolt |
| 90 | 98-9644 | 1 | Governor Shaft ASM |
| 100 | 98-9562 | 1 | Holder-Gear, Governor |
| 110 | 98-9673 | 1 | Gear-Governor |
| 120 | 98-9561 | 1 | Holder-Weight, Governor |
| 130 | 98-9559 | 2 | Governor Weight ASM |
| 140 | 98-9560 | 2 | Shaft-Weight, Governor |
| 145 | 98-9692 | 2 | Roller |
| 150 | 98-9563 | 1 | Sleeve-Governor |
| 160 | 98-9564 | 1 | Washer-Thrust |
| 170 | 107-9079 | 1 | Bearing-Ball |
| 180 | 98-9657 | 1 | Circlip-Shaft, Governor |
| 190 | 98-9565 | 1 | Screw-Set |



Idle Apparatus Assembly

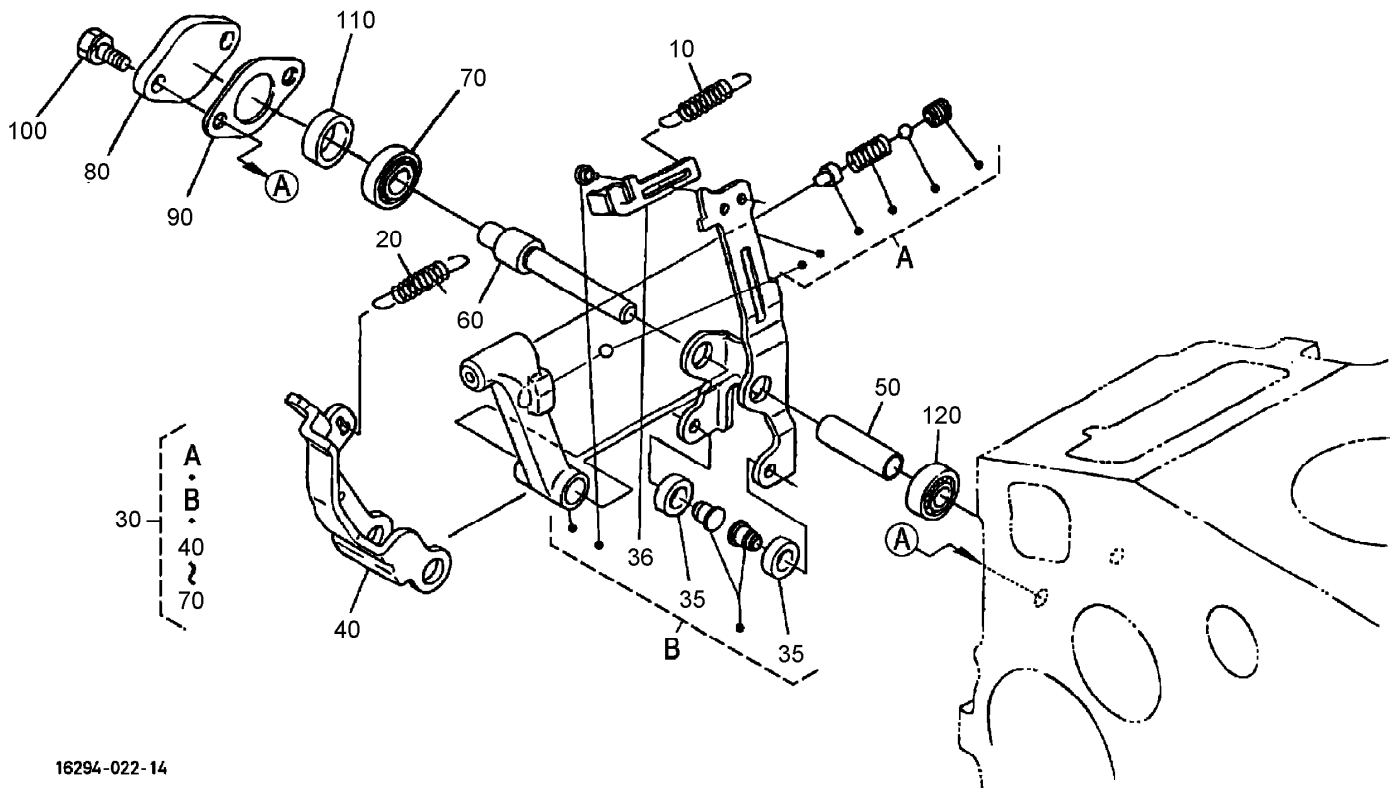
| Ref. | Part Number | Qty. | Description |
|-------------|--------------------|-------------|--------------------|
| 10 | 98-9678 | 1 | Idle Apparatus ASM |
| 20 | 98-9679 | 1 | Adjusting Bolt ASM |
| 25 | 107-9080 | 1 | Spring |
| 30 | 98-9439 | 1 | Nut |
| 40 | 99-8387 | 1 | Nut-Cap |
| 50 | 98-7654 | 2 | Gasket |
| 60 | 98-7656 | 1 | Cap |
| 70 | 98-9557 | 1 | Bolt-Adjusting |
| 80 | 99-3512 | 1 | Nut |
| 90 | 99-8387 | 1 | Nut-Cap |
| 100 | 98-7654 | 1 | Gasket |
| 110 | 107-9081 | 1 | Gasket |
| 120 | 104-5155 | 1 | Solenoid-Stop |
| 130 | 105-3799 | 2 | Bolt-HSH |
| 140 | 98-7699 | 2 | Washer-Spring |
| 150 | 98-9640 | 1 | Cover-Pump |
| 160 | 98-7572 | 2 | Nut |
| 170 | 98-7699 | 2 | Washer-Spring |
| 180 | 99-3514 | 1 | Cover |
| 190 | 98-9636 | 1 | Gasket-Pump, Fuel |



16611-021-22

Injection Pump Assembly

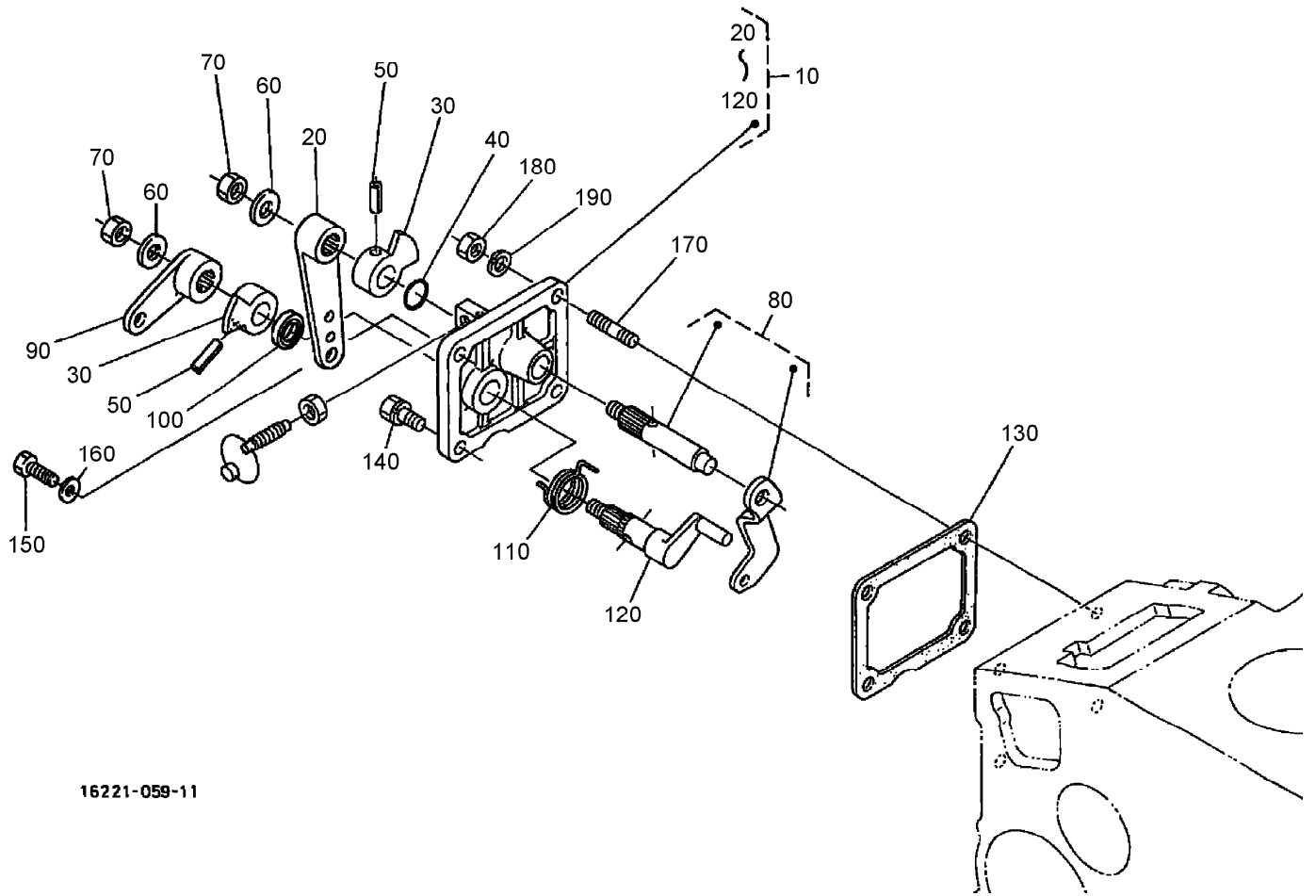
| <i>Ref.</i> | <i>Part Number</i> | <i>Qty.</i> | <i>Description</i> |
|-------------|--------------------|-------------|-------------------------|
| 10 | 98-9596 | 1 | Joint-Eye |
| 50 | 98-9643 | 1 | Injection Pump ASM |
| 60 | 98-9457 | 1 | Shim-Injection (0.25Mm) |
| 60 | 98-9456 | 1 | Shim-Injection (0.20Mm) |
| 70 | 98-9458 | 1 | Shim-Injection (0.30Mm) |
| 80 | 98-9361 | 2 | Bolt-HSH |
| 90 | 98-9438 | 2 | Stud |
| 100 | 98-9440 | 2 | Nut-Cap |
| 110 | 98-7699 | 4 | Washer-Spring |
| 120 | 98-9464 | 1 | Bolt-Joint |
| 130 | 98-9445 | 2 | Gasket |
| 140 | 98-9430 | 1 | Screw |
| 150 | 98-9446 | 1 | Gasket |
| 160 | 98-9466 | 1 | Plug |
| 170 | 98-9451 | 1 | Gasket |



16294-022-14

Governor Assembly

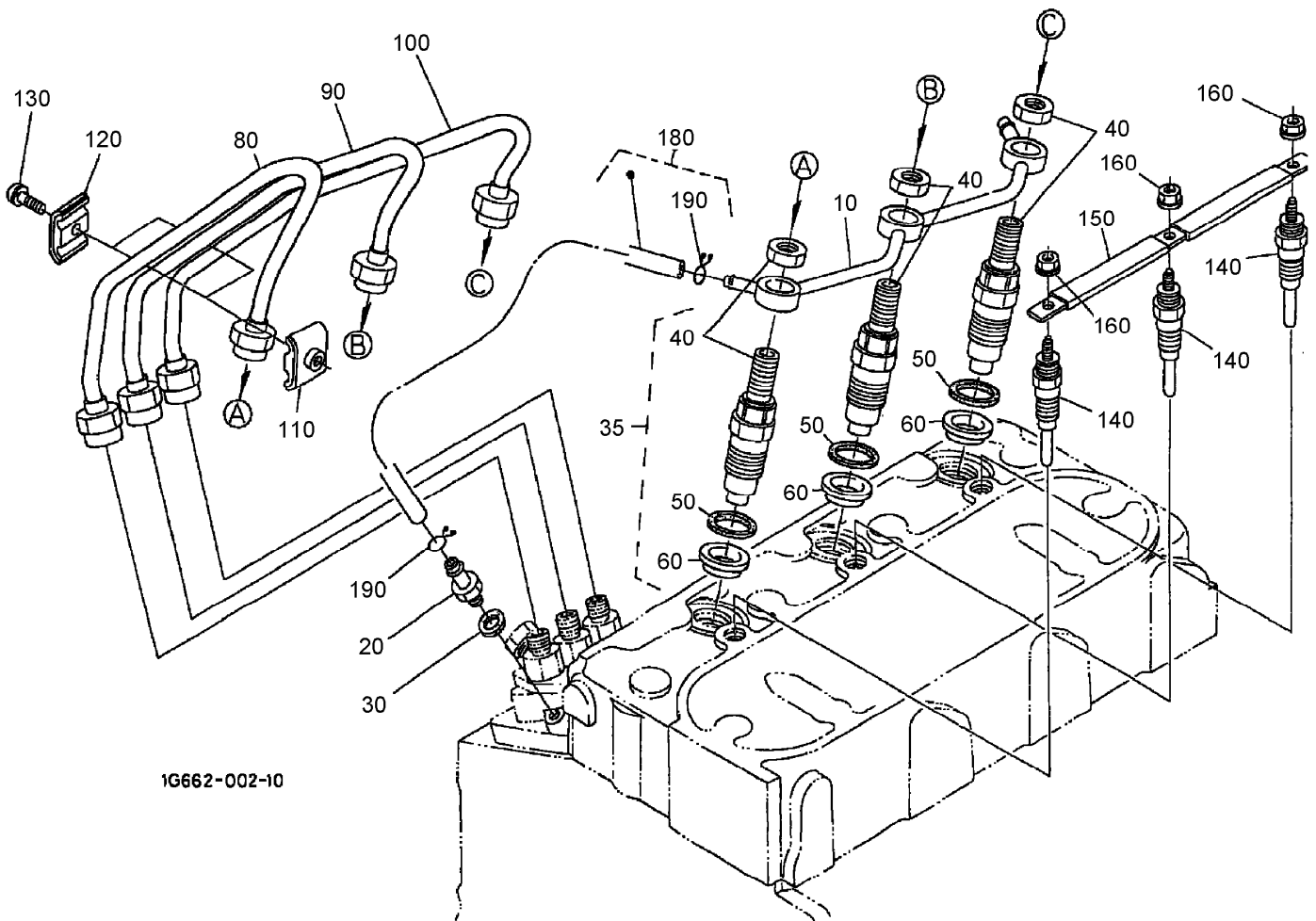
| <i>Ref.</i> | <i>Part Number</i> | <i>Qty.</i> | <i>Description</i> |
|-------------|--------------------|-------------|-------------------------|
| 10 | 105-3786 | 1 | Spring-Start |
| 20 | 98-9681 | 1 | Spring-Governor |
| 30 | 107-9082 | 1 | Fork Lever ASM |
| 35 | 98-9692 | 2 | Roller |
| 36 | 107-9083 | 1 | Lever-Thrust |
| 40 | 107-9084 | 1 | Lever-Fork |
| 50 | 107-9085 | 1 | Shaft-Lever, Fork |
| 60 | 107-9086 | 1 | Shaft-Lever, Fork |
| 70 | 98-9570 | 1 | Bearing-Miniaturize |
| 80 | 98-9569 | 1 | Cover-Shaft, Fork Lever |
| 90 | 98-9682 | 1 | Gasket |
| 100 | 98-9351 | 2 | Bolt |
| 110 | 98-9567 | 1 | Collar |
| 120 | 98-9571 | 1 | Bearing-Miniaturize |



16221-059-11

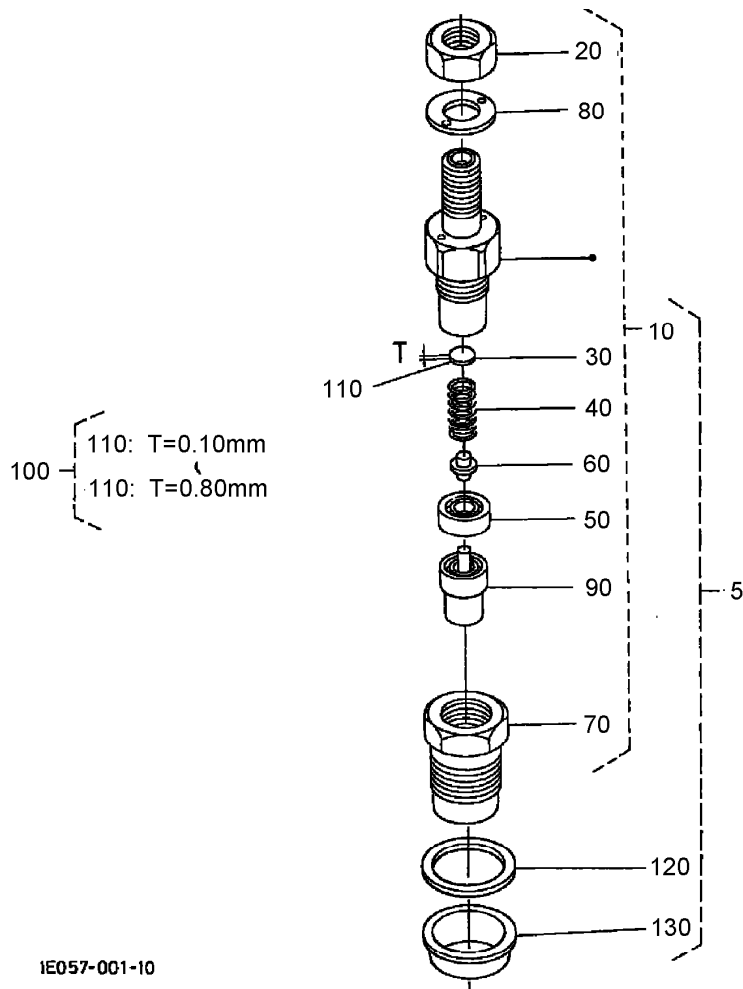
Speed Control Plate Assembly

| <i>Ref.</i> | <i>Part Number</i> | <i>Qty.</i> | <i>Description</i> |
|-------------|--------------------|-------------|----------------------|
| 10 | 105-3735 | 1 | Control Plate ASM |
| 20 | 98-9662 | 1 | Lever-Control, Speed |
| 30 | 98-9572 | 2 | Lever-Control, Speed |
| 40 | 105-3788 | 1 | O-Ring |
| 50 | 98-7602 | 2 | Pin-Spring |
| 60 | 98-9594 | 2 | Washer-Plain |
| 70 | 98-9589 | 2 | Nut |
| 80 | 98-9658 | 1 | Governor Lever ASM |
| 90 | 98-9663 | 1 | Lever-Stop, Engine |
| 100 | 98-7601 | 1 | Seal-Oil |
| 110 | 98-9472 | 1 | Spring-Return |
| 120 | 98-9664 | 1 | Shaft-Lever, Stop |
| 130 | 98-9637 | 1 | Gasket |
| 140 | 98-7692 | 1 | Bolt |
| 150 | 99-8348 | 1 | Bolt |
| 160 | 98-7654 | 2 | Gasket |
| 170 | 105-3710 | 2 | Stud |
| 180 | 98-7572 | 2 | Nut |
| 190 | 98-7699 | 2 | Washer-Spring |



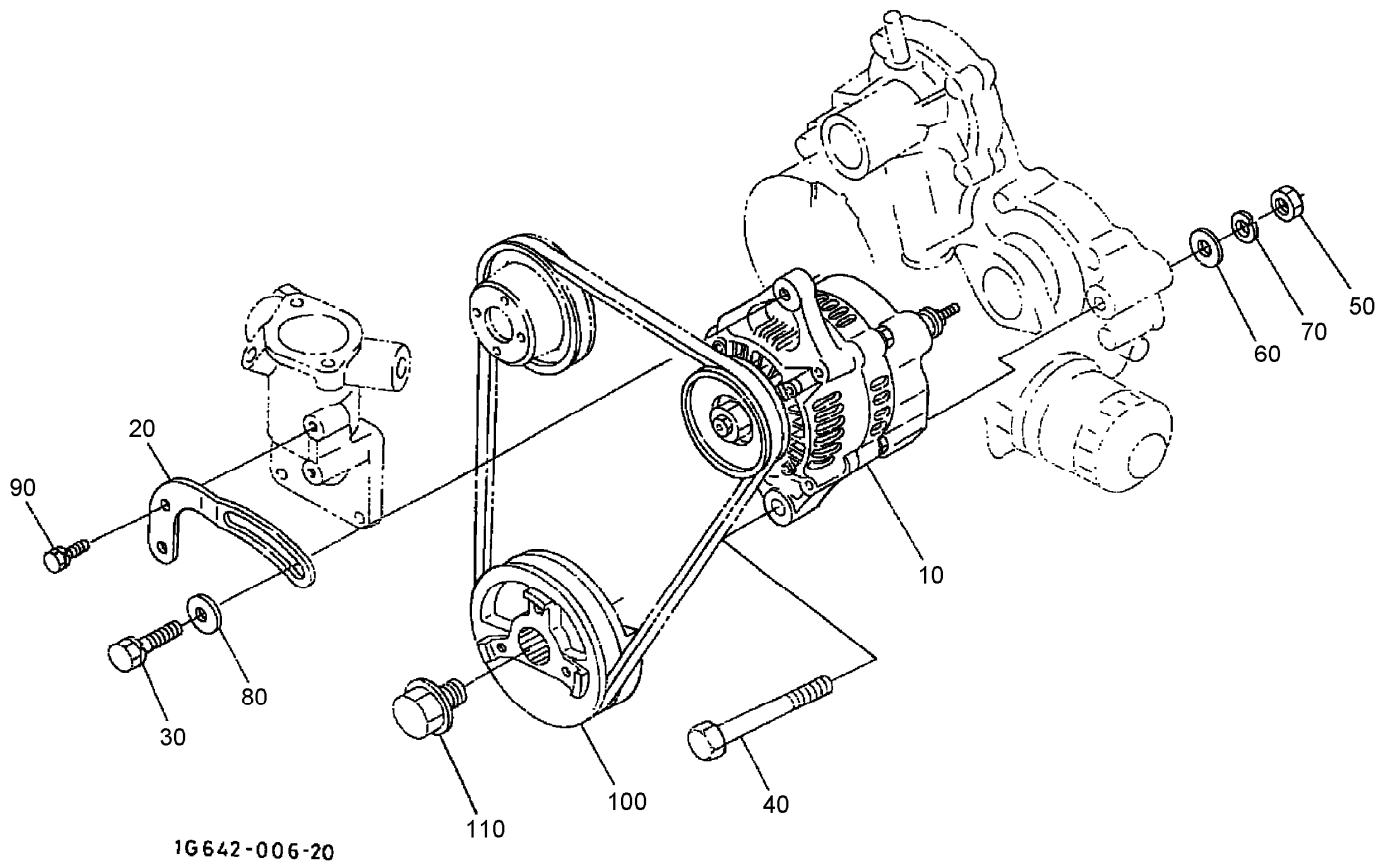
Nozzle Holder and Glow Plug Assembly

| Ref. | Part Number | Qty. | Description |
|------|-------------|------|--------------------|
| 10 | 98-9620 | 1 | Overflow Pipe ASM |
| 20 | 98-9431 | 1 | Screw-Bleeder, Air |
| 30 | 98-7654 | 1 | Gasket |
| 35 | 105-3740 | 3 | Nozzle Holder Kit |
| 40 | 98-9468 | 3 | Nozzle Holder ASM |
| 50 | 98-7676 | 3 | Gasket |
| 60 | 98-7677 | 3 | Seal-Heat |
| 80 | 98-9653 | 1 | Pipe-Injection |
| 90 | 98-9654 | 1 | Pipe-Injection |
| 100 | 98-9655 | 1 | Pipe-Injection |
| 110 | 98-7682 | 2 | Clamp-Pipe |
| 120 | 98-7683 | 2 | Clamp-Pipe |
| 130 | 98-7684 | 2 | Screw (W/Washer) |
| 140 | 98-9695 | 3 | Plug-Glow |
| 150 | 98-9631 | 3 | Cord-Plug, Glow |
| 160 | 99-8377 | 3 | Nut-Flange |
| 180 | 98-9420 | 1 | Overflow Pipe ASM |
| 190 | 98-7671 | 2 | Clip-Pipe |



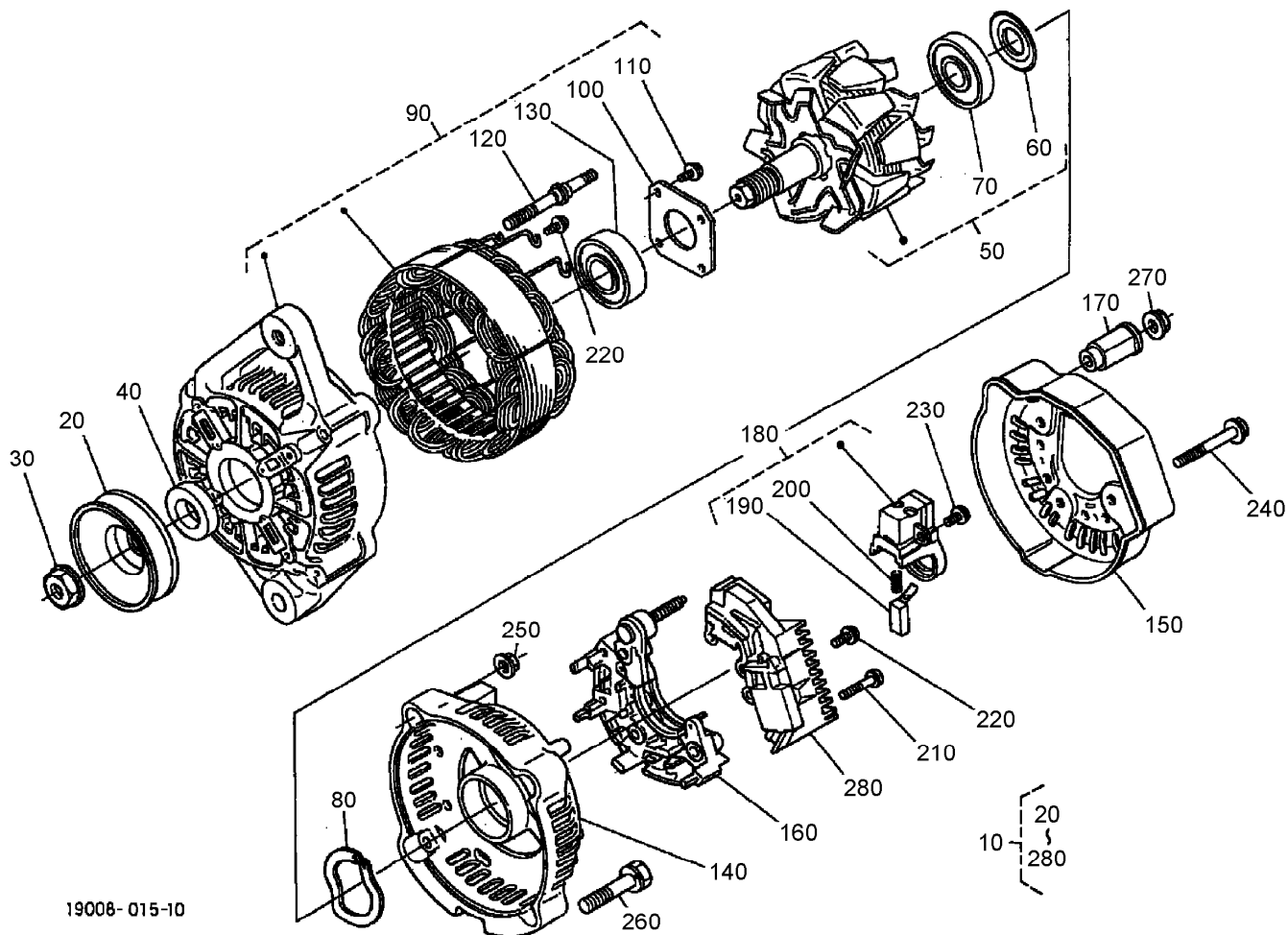
Nozzle Holder (Component Parts) Assembly

| Ref. | Part Number | Qty. | Description |
|------|-------------|------|------------------------|
| 5 | 105-3740 | 3 | Nozzle Holder Kit |
| 10 | 98-9468 | 3 | Nozzle Holder ASM |
| 20 | 99-8301 | 3 | Nut |
| 30 | 99-8302 | 3 | Washer-Adjusting |
| 40 | 99-8303 | 3 | Spring-Nozzle |
| 50 | 99-8304 | 3 | Spacer-Distance |
| 60 | 99-8305 | 3 | Rod-Push |
| 70 | 99-8306 | 3 | Nut-Nozzle |
| 80 | 99-8307 | 3 | Washer-Plain |
| 90 | 99-8308 | 3 | Piece-Nozzle |
| 100 | 99-8309 | 3 | Adjusting Washer ASM |
| 110 | 99-8310 | 3 | Washer-Adjust (0.10Mm) |
| 110 | 99-8311 | 3 | Washer-Adjust (0.20Mm) |
| 110 | 99-8312 | 3 | Washer-Adjust (0.30Mm) |
| 110 | 99-8313 | 3 | Washer-Adjust (0.40Mm) |
| 110 | 99-8314 | 3 | Washer-Adjust (0.50Mm) |
| 110 | 99-8315 | 3 | Washer-Adjust (0.52Mm) |
| 110 | 99-8316 | 3 | Washer-Adjust (0.54Mm) |
| 110 | 99-8317 | 3 | Washer-Adjust (0.56Mm) |
| 110 | 99-8318 | 3 | Washer-Adjust (0.58Mm) |
| 110 | 99-8319 | 3 | Washer-Adjust (0.80Mm) |
| 120 | 98-7676 | 3 | Gasket |
| 130 | 98-7677 | 3 | Seal-Heat |



Alternator and Pulley Assembly

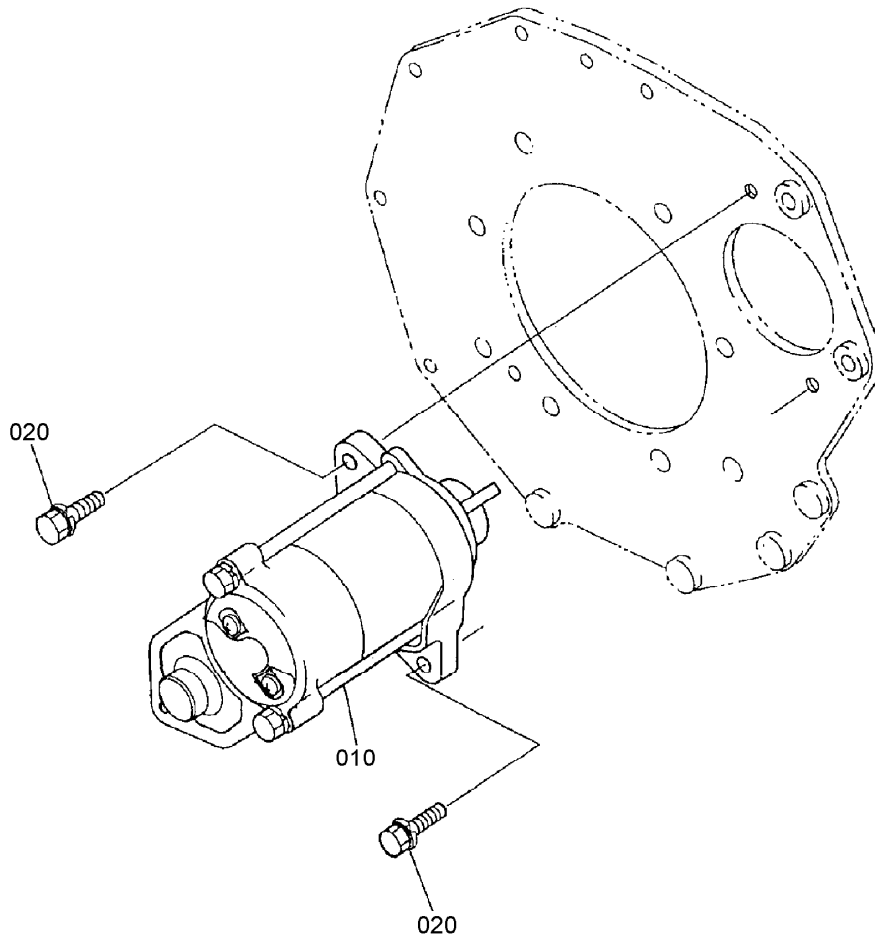
| <i>Ref.</i> | <i>Part Number</i> | <i>Qty.</i> | <i>Description</i> |
|-------------|--------------------|-------------|--------------------|
| 10 | 98-9474 | 1 | Alternator ASM |
| 20 | 98-9573 | 1 | Stay-Dynamo |
| 30 | 98-7697 | 1 | Bolt |
| 40 | 98-9360 | 1 | Bolt |
| 50 | 98-7737 | 1 | Nut |
| 60 | 3256-24 | 1 | Washer-Flat |
| 70 | 98-7738 | 1 | Washer-Spring |
| 80 | 100-9233 | 1 | Washer-Plain |
| 90 | 98-7692 | 1 | Bolt |
| 100 | 98-9473 | 1 | Pulley-Drive, Fan |
| 110 | 98-9585 | 1 | Bolt |



Alternator (Component Parts) Assembly

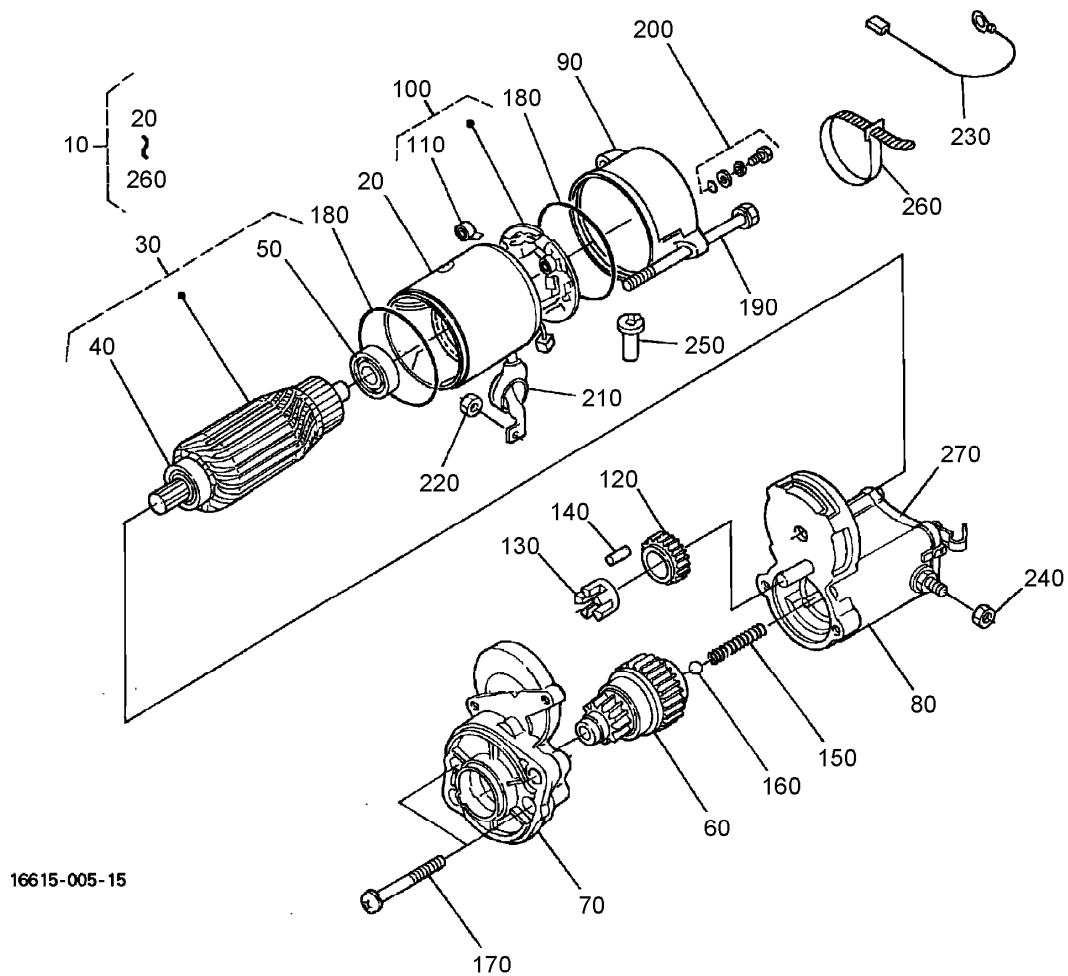
| Ref. | Part Number | Qty. | Description |
|------|-------------|------|---------------------|
| 10 | 98-9474 | 1 | Alternator ASM |
| 20 | 98-9453 | 1 | Pulley-Dynamo |
| 30 | 98-7708 | 1 | Nut |
| 40 | 98-7709 | 1 | Collar |
| 50 | 107-0136 | 1 | Rotor ASM |
| 60 | 98-7711 | 1 | Cover-Bearing |
| 70 | 107-0138 | 1 | Bearing-Ball |
| 80 | 98-7713 | 1 | Washer-Thrust |
| 90 | 107-0139 | 1 | Drive End Frame ASM |
| 100 | 98-7715 | 1 | Plate-Retainer |
| 110 | 98-7716 | 4 | Screw-Head, Round |
| 120 | 98-7717 | 2 | Bolt-Through |
| 130 | 107-0137 | 1 | Bearing-Ball |
| 140 | 107-9087 | 1 | Frame-End |

| Ref. | Part Number | Qty. | Description |
|------|-------------|------|--------------------|
| 150 | 107-0140 | 1 | Cover-End |
| 160 | 98-9476 | 1 | Rectifier ASM |
| 170 | 98-7722 | 1 | Bushing-Insulation |
| 180 | 107-0141 | 1 | Brush Holder ASM |
| 190 | 98-7724 | 2 | Brush |
| 200 | 98-7725 | 2 | Spring-Brush |
| 210 | 98-7726 | 2 | Screw-Head, Round |
| 220 | 98-7727 | 6 | Screw-Head, Round |
| 230 | 98-7728 | 1 | Screw-Head, Round |
| 240 | 98-7729 | 3 | Bolt |
| 250 | 98-7730 | 2 | Nut |
| 260 | 98-7731 | 2 | Bolt |
| 270 | 98-7732 | 1 | Nut |
| 280 | 107-9088 | 1 | Regulator ASM |



Starter Mount Assembly

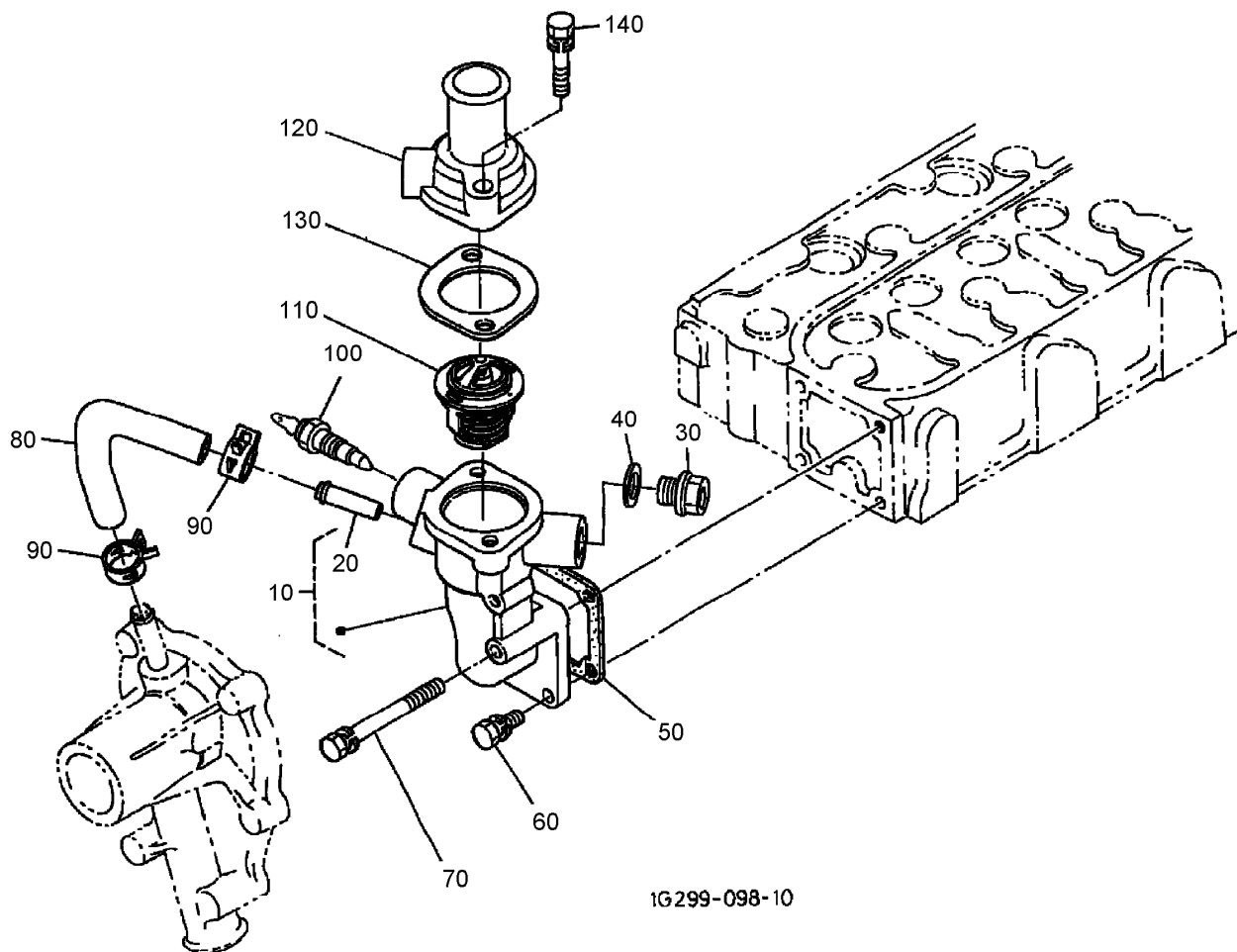
| <i>Ref.</i> | <i>Part Number</i> | <i>Qty.</i> | <i>Description</i> |
|-------------|--------------------|-------------|--------------------|
| 10 | 98-9705 | 1 | Starter ASM |
| 20 | 98-7697 | 2 | Bolt |



16615-005-15

Starter (Component Parts) Assembly

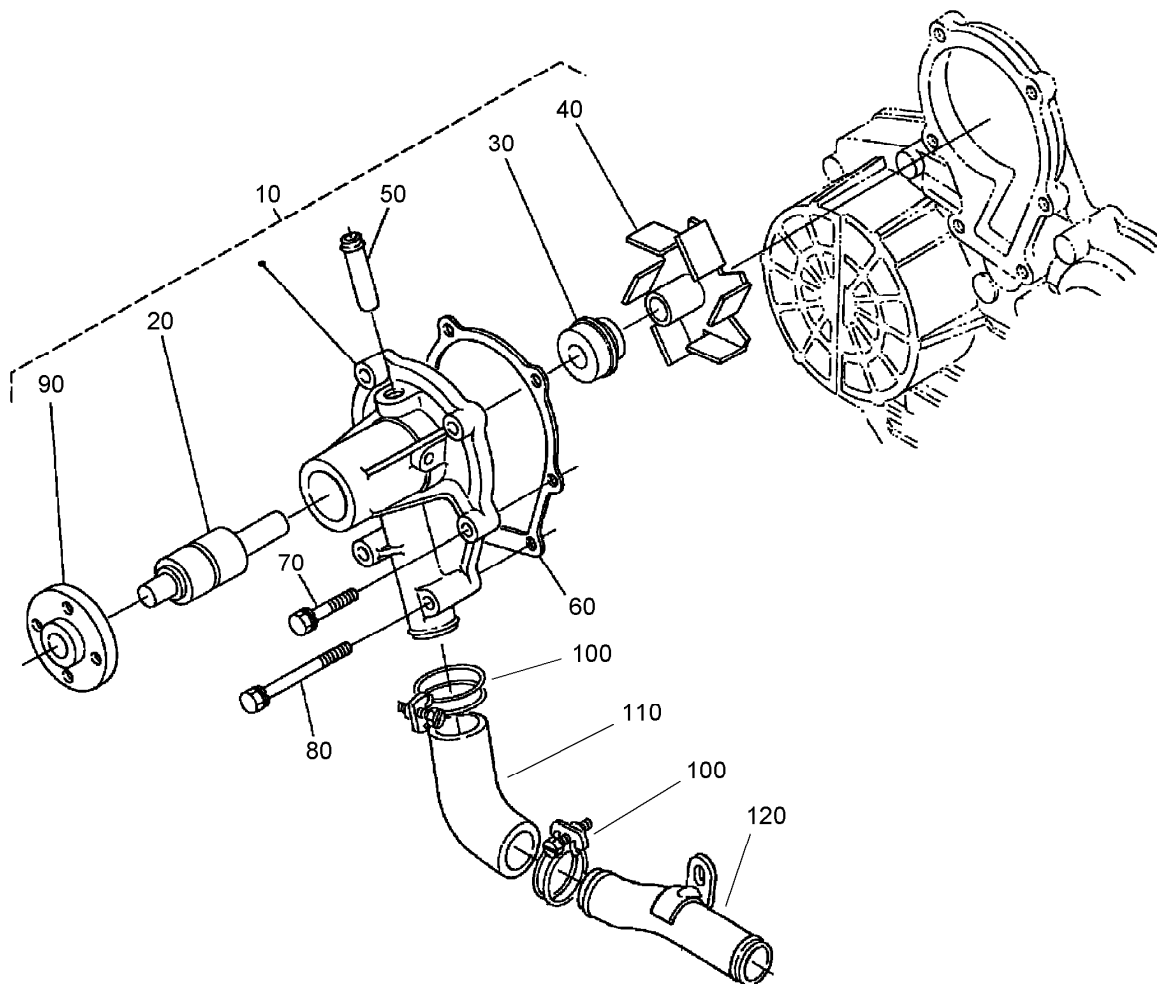
| <i>Ref.</i> | <i>Part Number</i> | <i>Qty.</i> | <i>Description</i> | <i>Ref.</i> | <i>Part Number</i> | <i>Qty.</i> | <i>Description</i> |
|-------------|--------------------|-------------|----------------------|-------------|--------------------|-------------|---------------------|
| 10 | 98-9705 | 1 | Starter ASM | 150 | 98-7754 | 1 | Spring |
| 20 | 104-8608 | 1 | Yoke ASM | 160 | 98-7755 | 1 | Ball |
| 30 | 98-7742 | 1 | Armature ASM | 170 | 98-7756 | 2 | Bolt |
| 40 | 98-7744 | 1 | Bearing | 180 | 98-7757 | 2 | O-Ring |
| 50 | 98-7743 | 1 | Bearing | 190 | 100-9240 | 2 | Bolt |
| 60 | 99-8373 | 1 | Clutch-Running, Over | 200 | 98-7758 | 2 | Bolt ASM |
| 70 | 99-8374 | 1 | Frame-End, Drive | 210 | 99-8375 | 1 | Cover |
| 80 | 105-3746 | 1 | Magnetic Switch ASM | 220 | 99-8371 | 1 | Nut-Hex |
| 90 | 98-7748 | 1 | Frame-End | 230 | 98-9711 | 1 | Cord-Solenoid, Stop |
| 100 | 98-7749 | 1 | Brush Holder ASM | 240 | 99-8376 | 1 | Nut-Hex |
| 110 | 98-7750 | 4 | Spring-Brush | 250 | 98-7759 | 1 | Pipe-Drain |
| 120 | 98-7751 | 1 | Gear | 260 | 98-9712 | 1 | Band-Cover |
| 130 | 98-7752 | 1 | Retainer | 270 | 105-2886 | 1 | Cover ASM |
| 140 | 98-7753 | 5 | Roller | | | | |



1G299-098-10

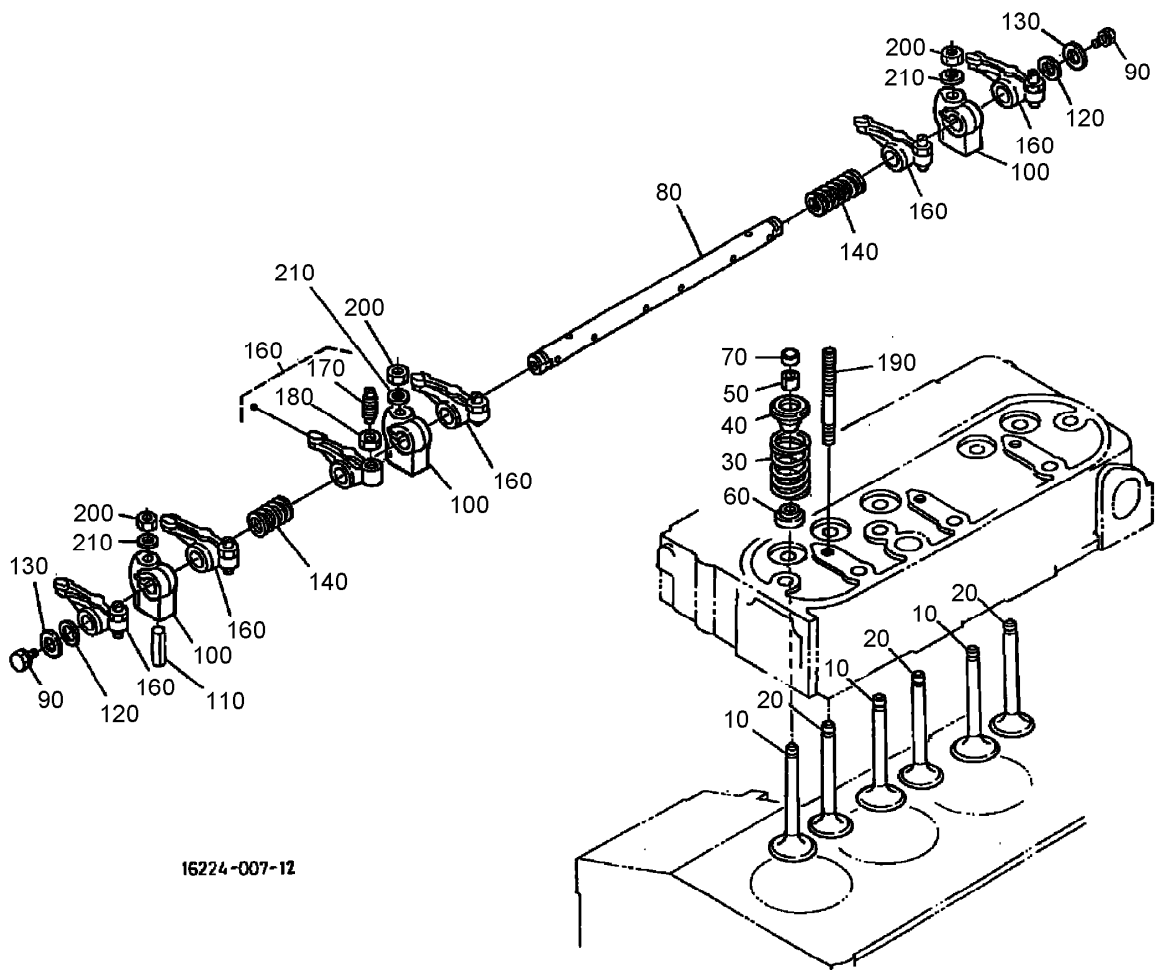
Water Flange and Thermostat Assembly

| <i>Ref.</i> | <i>Part Number</i> | <i>Qty.</i> | <i>Description</i> |
|-------------|--------------------|-------------|----------------------|
| 10 | 98-9713 | 1 | Water Flange ASM |
| 20 | 98-9580 | 1 | Pipe-Return, Water |
| 30 | 105-3747 | 1 | Plug |
| 40 | 99-3583 | 1 | Gasket |
| 50 | 98-9638 | 1 | Gasket-Flange, Water |
| 60 | 98-7692 | 3 | Bolt |
| 70 | 98-9356 | 1 | Bolt |
| 80 | 98-9578 | 1 | Pipe-Return, Water |
| 90 | 98-9579 | 2 | Band-Pipe |
| 100 | 98-9719 | 1 | Thermoswitch |
| 110 | 98-7778 | 1 | Thermostat ASM |
| 120 | 98-9471 | 1 | Cover-Thermostat |
| 130 | 105-3748 | 1 | Gasket-Thermostat |
| 140 | 98-7777 | 2 | Bolt |



Water Pump Assembly

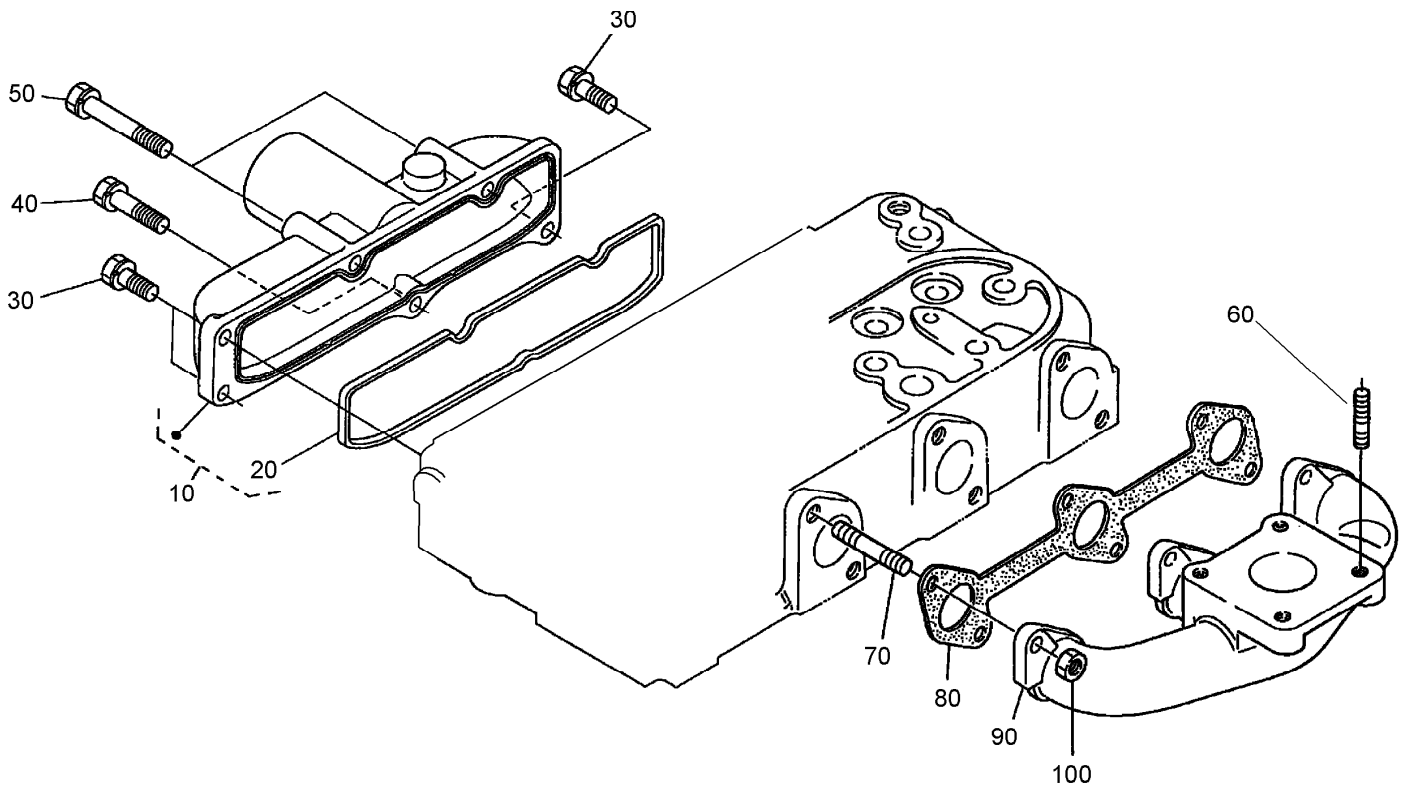
| <i>Ref.</i> | <i>Part Number</i> | <i>Qty.</i> | <i>Description</i> |
|-------------|--------------------|-------------|----------------------|
| 10 | 107-9089 | 1 | Water Pump ASM |
| 20 | 99-3517 | 1 | Bearing-Pump, Water |
| 30 | 105-3750 | 1 | Mechanical Seal ASM |
| 40 | 99-3519 | 1 | Impeller-Pump, Water |
| 50 | 98-9577 | 1 | Pipe-Return, Water |
| 60 | 99-3454 | 1 | Gasket-Pump, Water |
| 70 | 98-9353 | 4 | Bolt |
| 80 | 107-9090 | 2 | Bolt |
| 90 | 99-3516 | 4 | Flange-Pump, Water |
| 100 | 98-9717 | 2 | Clamp |
| 110 | 107-9091 | 1 | Pipe-Water |
| 120 | 98-9716 | 1 | Pipe-Water |



16224-007-12

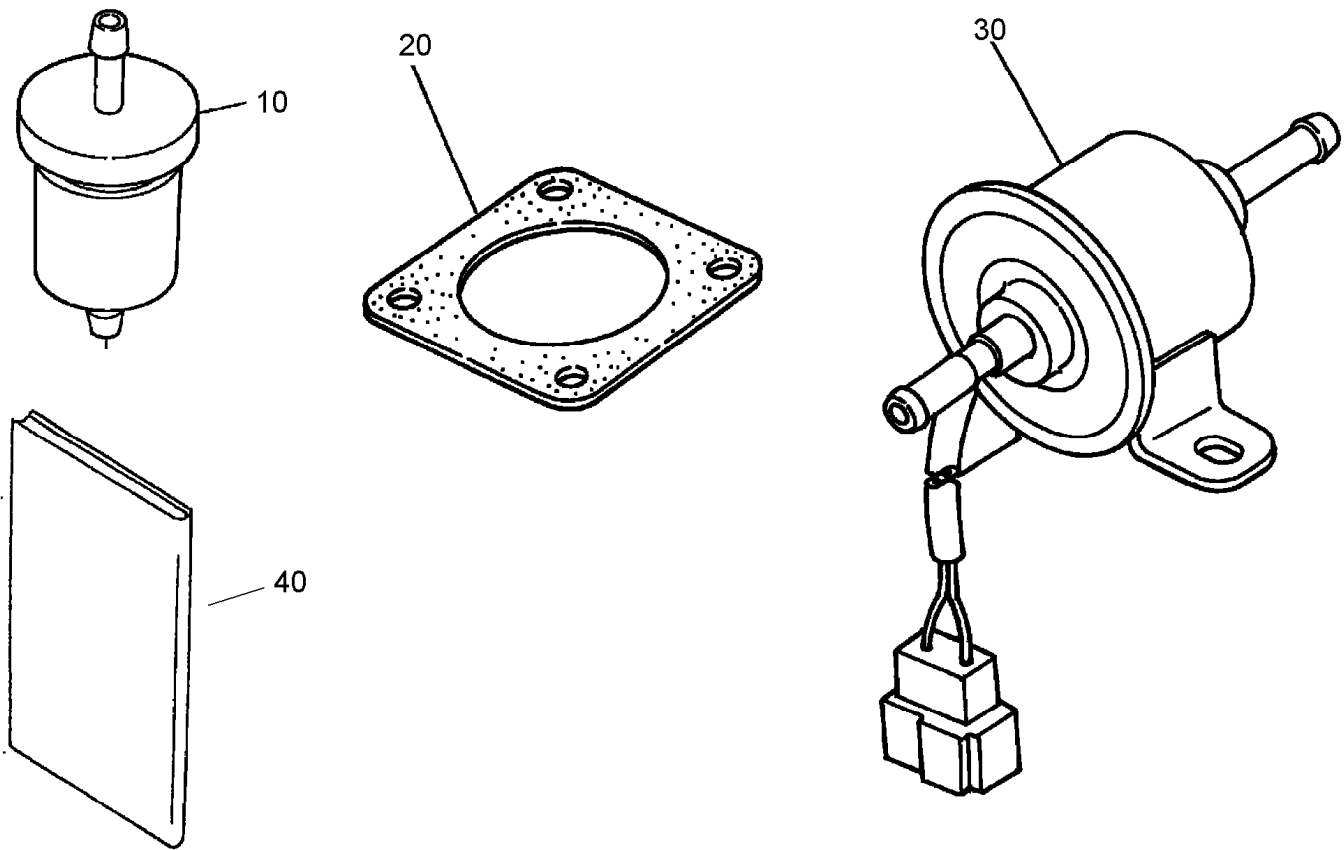
Valve and Rocker Arm Assembly

| <i>Ref.</i> | <i>Part Number</i> | <i>Qty.</i> | <i>Description</i> |
|-------------|--------------------|-------------|----------------------|
| 10 | 98-9494 | 3 | Valve-Inlet |
| 20 | 98-9495 | 3 | Valve-Exhaust |
| 30 | 98-9648 | 6 | Spring-Valve |
| 40 | 107-9092 | 6 | Retainer-Spring |
| 50 | 98-9390 | 6 | Collet-Spring, Valve |
| 60 | 99-8385 | 6 | Seal-Stem, Valve |
| 70 | 98-9497 | 6 | Cap-Valve |
| 80 | 105-3790 | 1 | R-Arm Shaft ASM |
| 90 | 100-9265 | 2 | Bolt |
| 100 | 98-9505 | 3 | Bracket-Arm, Rocker |
| 110 | 105-3758 | 1 | Pin-Spring |
| 120 | 98-9507 | 2 | Washer-Shaft, R-Arm |
| 130 | 3256-1 | 2 | Washer-Flat |
| 140 | 98-9504 | 2 | Spring-Arm, Rocker |
| 160 | 98-9501 | 6 | Rocker Arm ASM |
| 170 | 98-9502 | 6 | Screw-Adjusting |
| 180 | 98-9503 | 6 | Nut |
| 190 | 98-9506 | 3 | Stud |
| 200 | 98-9393 | 3 | Nut |
| 210 | 98-9385 | 3 | Washer-Flat |



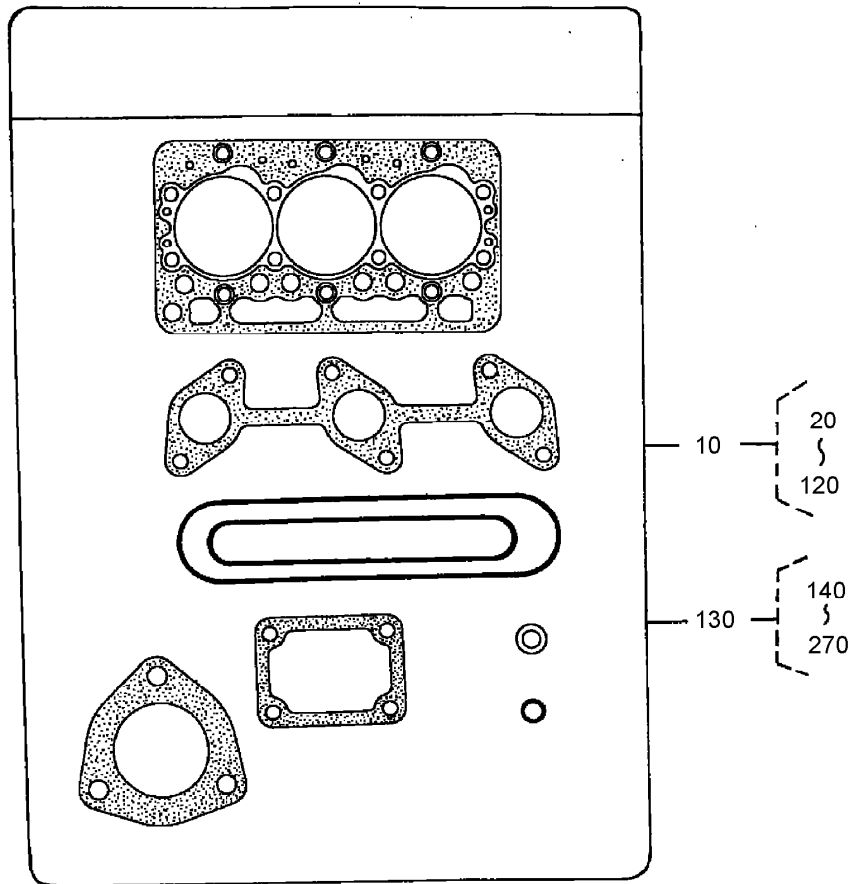
Inlet Manifold Assembly

| <i>Ref.</i> | <i>Part Number</i> | <i>Qty.</i> | <i>Description</i> |
|-------------|--------------------|-------------|------------------------|
| 10 | 105-3791 | 1 | Inlet Manifold ASM |
| 20 | 98-9609 | 1 | Gasket-Manifold, Inlet |
| 30 | 98-7605 | 3 | Bolt |
| 40 | 98-9353 | 1 | Bolt |
| 50 | 105-3797 | 2 | Bolt |
| 60 | 98-7769 | 4 | Stud |
| 70 | 98-9588 | 6 | Stud |
| 80 | 98-9610 | 1 | Gasket |
| 90 | 107-9093 | 1 | Manifold-Exhaust |
| 100 | 98-9665 | 6 | Nut |



Fuel Filter and Pump, Muffler Gasket and Operator Manual

| <i>Ref.</i> | <i>Part Number</i> | <i>Qty.</i> | <i>Description</i> |
|-------------|--------------------|-------------|---------------------|
| 10 | 98-7612 | 1 | Filter-Fuel |
| 20 | 99-8343 | 1 | Gasket-Muffler |
| 30 | 107-0122 | 1 | Pump-Fuel, Electric |
| 40 | 99-8954 | 1 | Manual-Kubota |



19449-018-10

Gasket Kit

| <i>Ref.</i> | <i>Part Number</i> | <i>Qty.</i> | <i>Description</i> |
|-------------|--------------------|-------------|--------------------|
| 10 | 107-9094 | 1 | Upper Gasket Kit |
| 130 | 107-9095 | 1 | Lower Gasket Kit |



Count on it.