



Count on it.

Parts Catalog

Multi-Pro 5700-D Turf Sprayer

Model No. 41581—Serial No. 240000301 and Up



Ordering Replacement Parts

To order replacement parts, please supply the part number, the quantity, and the description of each part desired.

Understanding Reference Numbers

Each identified part in an illustration has a reference number. The reference number for a part also appears in the parts list, along with other information about the part.

This catalog uses two special reference number formats, one to indicate parts in a service assembly and another to indicate the quantity of a given part in an illustration.

Service Assembly Reference Numbers

Parts in service assemblies have reference numbers in the form a:b. The a represents the reference number of the entire service assembly and the b represents a sequential number unique to each part within the service assembly.

For example, a wheel assembly might be identified by reference number 6, the tire by 6:1, the valve by 6:2, and the wheel by 6:3. When you order the assembly identified by reference number 6, you receive all parts identified by reference numbers 6:1, 6:2, and 6:3. However, you may also order any part individually. Reference numbers of this type appear in illustration and in parts lists.

Reference Numbers Indicating Quantity

In an illustration, if a reference number indicates more than one part, the reference number has the form nX y. The n represents the quantity of the part, the X is the multiplication symbol, and the y represents the reference number.

For example, in an illustration, the reference number 2X 37 means that two of the parts identified by reference number 37 are indicated.

List of Abbreviations

AR: as required

ASM: assembly

BBC: blade brake control

BHTF: button head thread forming

CARR: carriage

CCW: counter clockwise

CW: clockwise

DEG: degrees

DPA: Dual Point Adjustment

ECM: electronic control module

EXT: external

FH: flat head

GA: gauge

HD: heavy-duty

HF: hex flange

HH: hex head

HHF: hex head flange

HHFTF: hex head flange thread forming

HJ: hex jam

HLH: hex lag head

HOC: height-of-cut

HP: high pressure

HSBH: hex socket button head

HSFH: hex socket flat head

HSH: hex socket head

HWH: hex washer head

HWHTF: hex washer head thread forming

HYD: hydraulic

LH: left hand

LP: low pressure

LPG: Liquefied Petroleum Gas

NI: nylon insert

NPTF: national pipe thread fine

PFH: phillips flat head

PPH: phillips pan head

PPHTF: phillips pan head thread forming

PRH: phillips round head

PTH: phillips truss head

PTO: power-take-off

RH: right hand

ROPS: roll-over protection system

RRB: rear roller brush

SFH: slotted fillister head

SHH: slotted hex head

SHWH: slotted hex washer head

SPH: slotted pan head

SQH: square head

SRH: slotted round head

STD: standard

TAP: self tapping

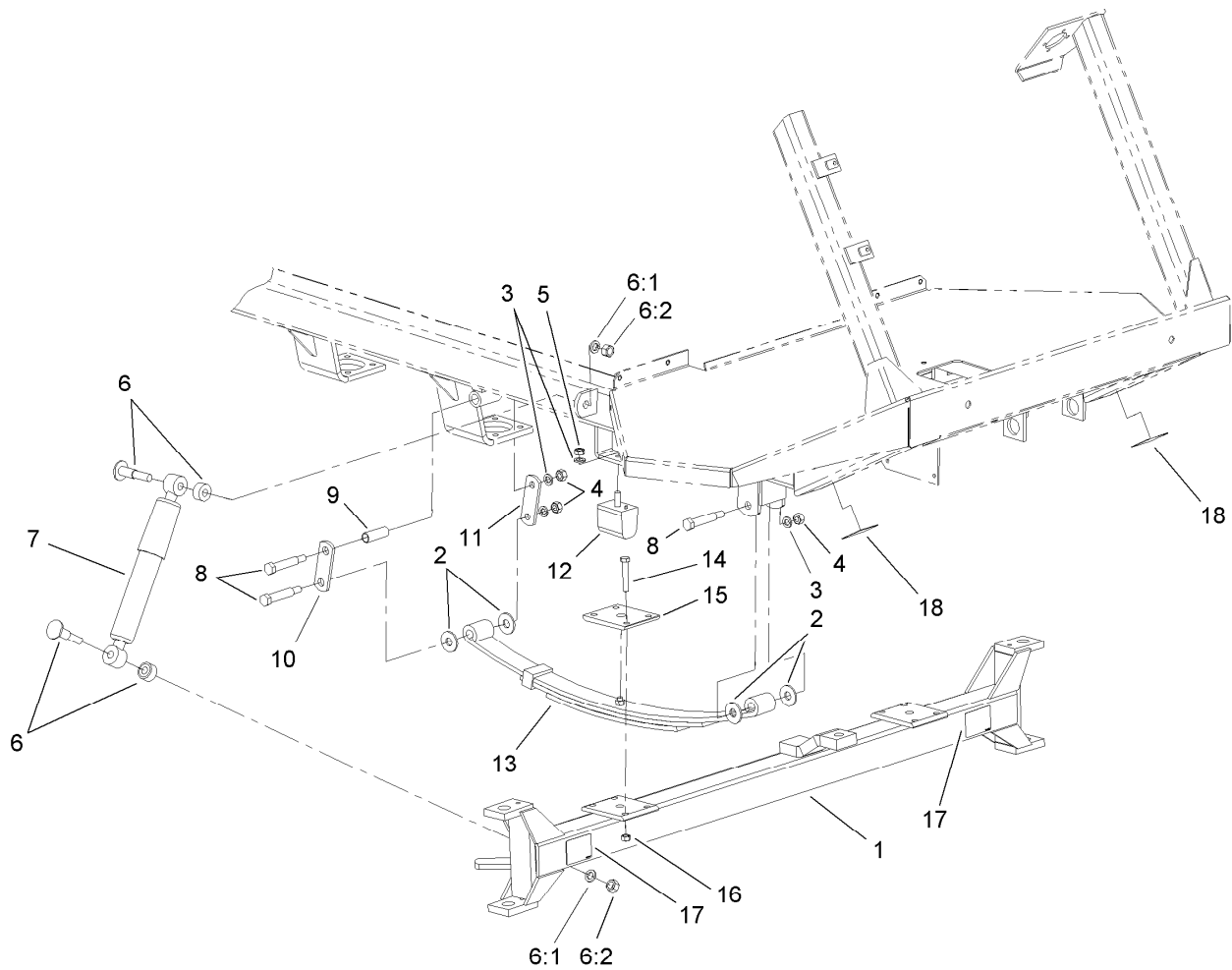
TTH: torx truss head

Contents

Front Suspension Assembly	5
Engine Cover, Seat and Front Console Assembly	6
Control Console Assembly	7
Rear Wheel Assembly	8
Hydraulic Motor Assembly No. 93-6488	9
Brake Assembly No. 100-3069-03	10
Planetary Assembly No. 105-4500-03	11
Brake Assembly No. 100-3070-03	12
Hydraulic Motor Assembly No. 93-6489	13
Brake and Pedal Assembly	14
Frame, Fender and Battery Assembly	15
Fresh Water and Spray Tank Assembly	16
Lid Assembly	17
Fresh Water Tank Assembly No. 100-8438	18
Exhaust Assembly	19
Dash and Instrument Assembly	20
Dash Panel Assembly No. 106-5019	21
Hydraulic Pump Assembly	22
Gear Pump Assembly No. 93-6492	24
Piston Pump Assembly No. 93-6491	25
Control Assembly No. 93-6306	26
Front Wheel Assembly	27
Pump Drive Assembly	28
Spray Pump Assembly No. 104-9099	29
Pump Assembly No. 106-5121	30
Steering Assembly	31
Steering Control Assembly No. 114-5076	32
Hydraulic Cylinder Assembly No. 93-6510	33
Engine and Air Cleaner Assembly	34
Air Cleaner Assembly No. 106-5277	35
Water / Fuel Filter Assembly No. 98-9305	36
Drive Linkage Assembly	37
Fuel and Hydraulic Tank Assembly	38
Traction Pedal Assembly	39
Sprayer Internal Component Assembly	40
Valve Boom Assembly	42
Valve Agitation Assembly	43
Sprayer Internal Component Assembly No. 2	44
Filter Assembly No. 104-9154	45
Safety Valve Assembly No. 100-6820	46
Upper Tank Drain Bulkhead Assembly	47
Tank Drain Assembly	48
Sprayer Component Assembly	49
Oil Cooler and Radiator Assembly	50
Electrical Panel Assembly	51
Center Boom Assembly	52
Extension Boom Assembly	53
Crankcase Assembly	54
Oil Pan Assembly	55
Cylinder Head Assembly	56
Gear Case Assembly	57
Head Cover Assembly	58
Dipstick and Guide Assembly	59
Main Bearing Case Assembly	60

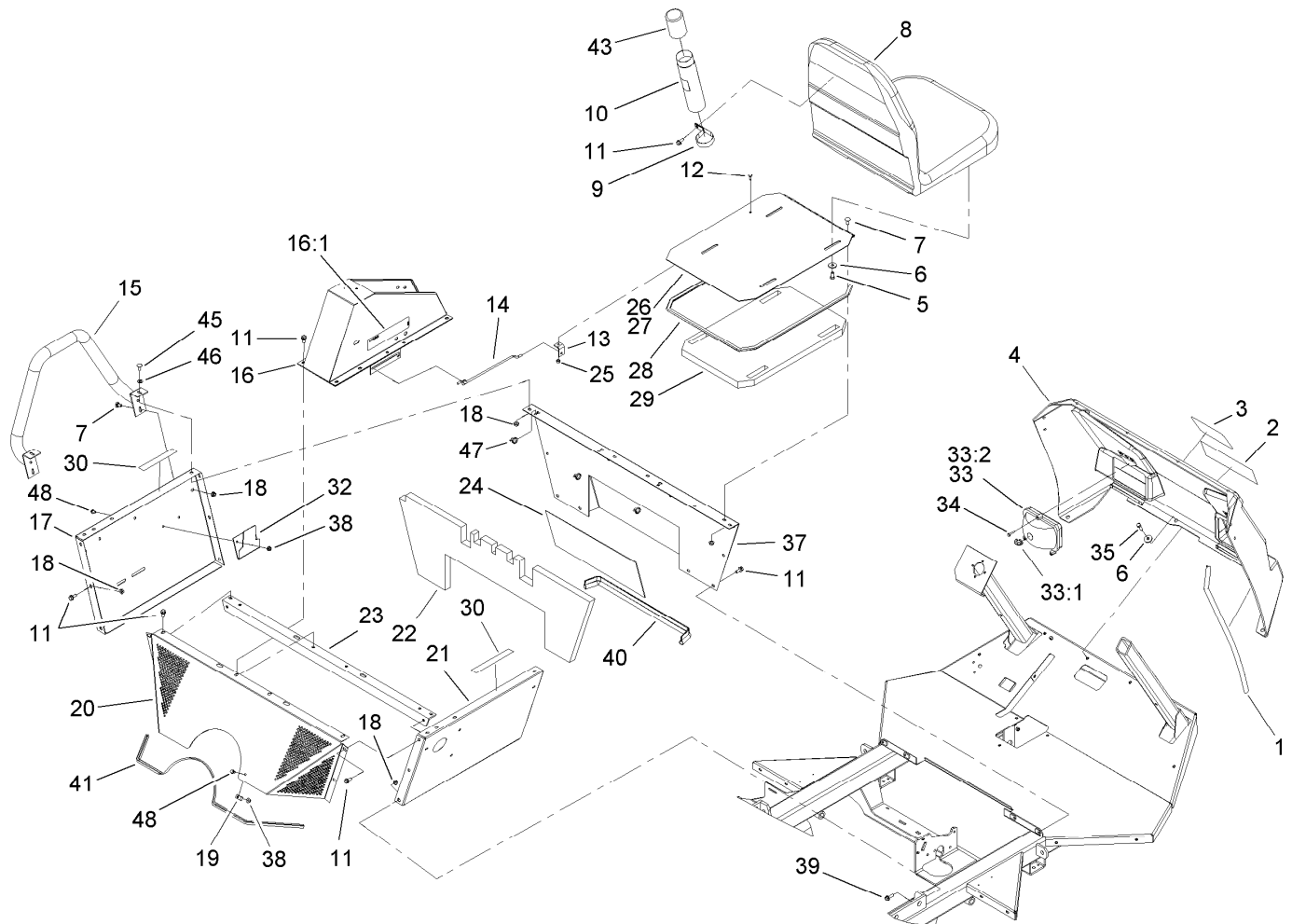
Contents (continued)

Camshaft and Idle Gear Shaft Assembly	61
Piston and Crankshaft Assembly	62
Flywheel Assembly	63
Fuel Camshaft and Governor Shaft Assembly	64
Idle Apparatus Assembly	65
Injection Pump Assembly	66
Governor Assembly	67
Speed Control Plate Assembly	68
Nozzle Holder and Glow Plug Assembly	69
Nozzle Holder (Component Parts) Assembly	70
Alternator and Pulley Assembly	71
Alternator (Component Part) Assembly	72
Starter Assembly	73
Starter (Component Part) Assembly	74
Water Flange and Thermostat Assembly	75
Water Pump Assembly	76
Valve and Rocker Arm Assembly	77
Inlet Manifold Assembly	78
Fuel Filter, Pump and Miscellaneous Parts Assembly	79
Attachments and Accessories	80



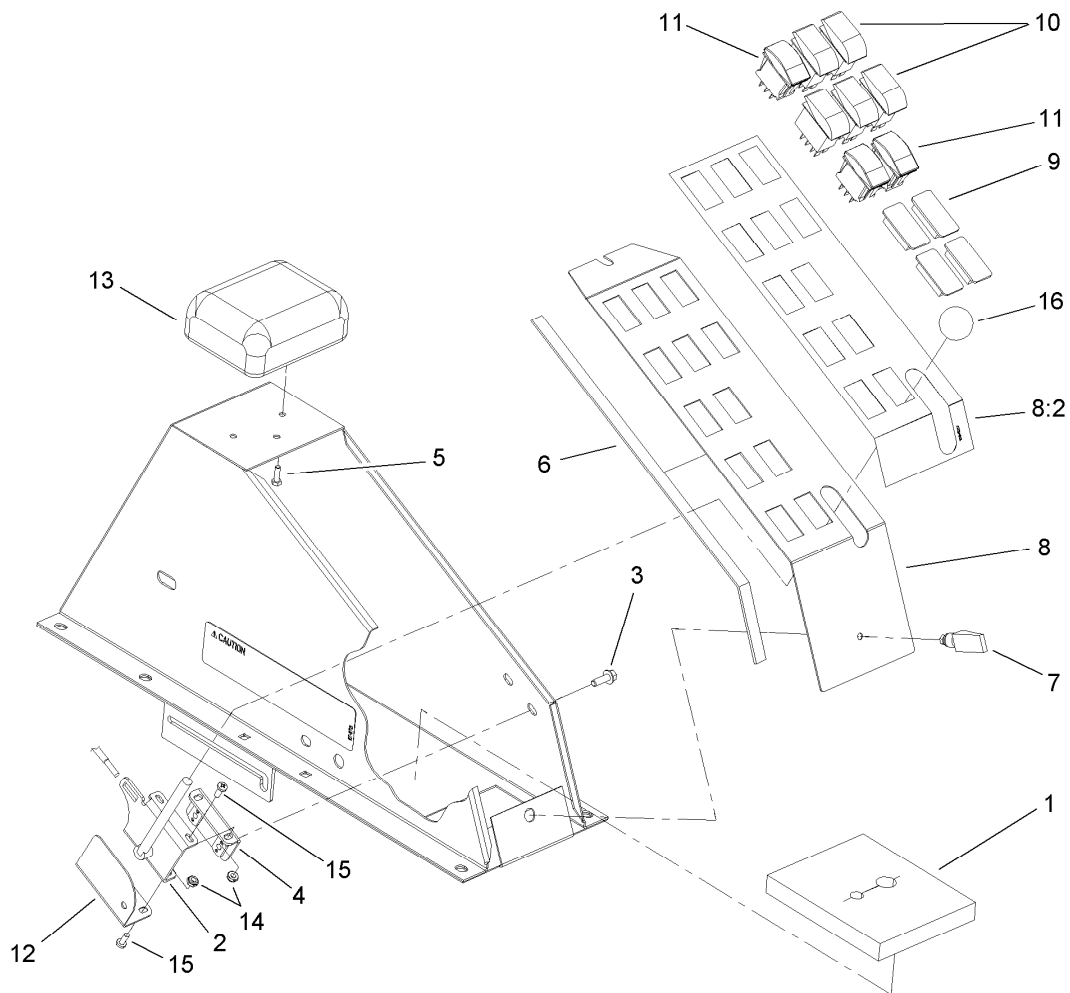
Front Suspension Assembly

Ref.	Part Number	Qty.	Description
1	93-6568-03	1	Front Axle ASM
2	93-6161	8	Washer
3	3253-6	8	Washer-Lock
4	3217-8	6	Nut-Hex
5	93-6166	2	Nut-Hex
6	42691	4	Bolt ASM
6:1	3253-7	1	Washer-Lock
6:2	3219-5	1	Nut-Hex
7	42690	2	Shock Absorber ASM
8	42599	6	Bolt-Shoulder
9	42592	2	Bushing-Shackle
10	42574	2	Shackel-Outside
11	42576	2	Shackel-Inside
12	87-3470	2	Bumper-Axle, Rear
13	99-0570	2	Spring-Leaf
14	323-11	8	Screw-HH
15	42575-03	2	Plate-Spring
16	32153-2	8	Nut-Lock, Side
17	107-8667	2	Decal-Jacking
18	107-8666	2	Decal-Tie-Down / Towing



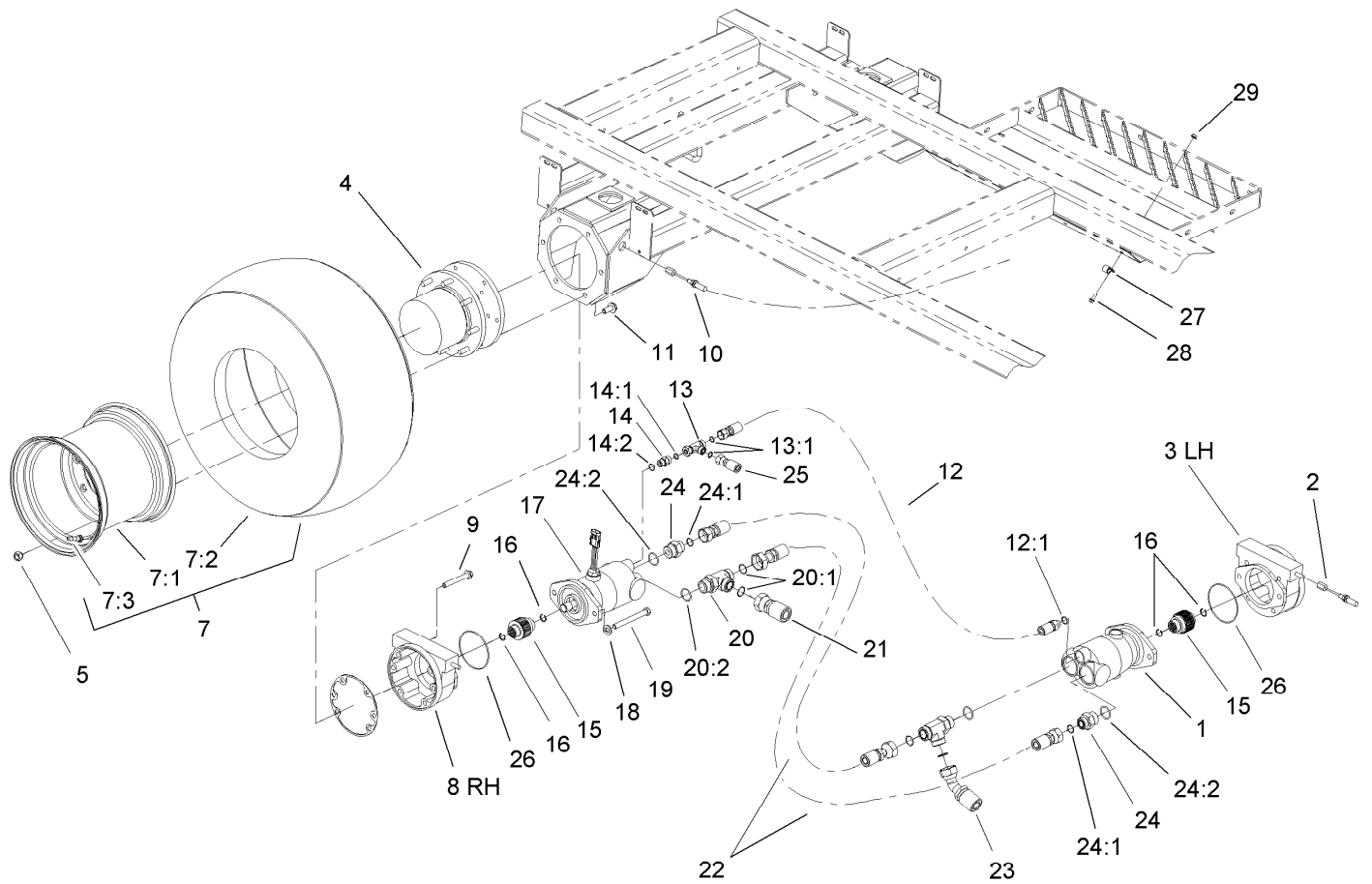
Engine Cover, Seat and Front Console Assembly

Ref.	Part Number	Qty.	Description	Ref.	Part Number	Qty.	Description
1	94-7086	2	Trim	24	104-8701	1	Barrier-Noise, Lower Front Panel
2	107-8715	1	Decal	25	3296-42	2	Nut-Lock, NI
3	62-5550	1	Decal	26	94-7056-03	1	RH Seat Panel ASM
4	94-7076	1	Console	27	94-7059-03	1	LH Seat Panel ASM
5	322-3	8	Screw-HH	28	94-7085	2	Trim
6	356303	14	Washer	29	104-8703	2	Barrier-Noise, Seat
7	3230-1	10	Bolt-CARR	30	94-3353	2	Decal-Point, Pinch
8	104-4620	2	Seat	32	106-5292-03	1	Bracket-Reservoir, Water
9	2412-133	2	R-Clamp	33	87-2120	2	Headlight
10	104-7050	1	Tube-Manual	33:1	95-0909	1	Lamp-12 Volt
11	3234-5	18	Screw-HHF	33:2	87-6330	1	Lens-Headlight
12	321-3	2	Screw-HH	34	32144-9	6	Screw-TAP
13	94-7203	2	Bracket	35	322-5	6	Screw-HH
14	94-7204	2	Rod-Prop, Seat	37	106-5027-01	1	Front Seat Box Panel ASM
15	94-7046-03	2	Hip Restraint ASM	38	32128-33	3	Nut-HF
16	106-5221	1	Console ASM	39	3234-17	4	Screw-HHF
16:1	107-8721	2	Decal-Caution	40	95-2178	1	Trim
17	106-5015-01	1	Panel-Seat Box, LH	41	106-1998	1	Trim
18	32128-20	24	Nut-HF	43	104-7048	1	Cap-Housing
19	2412-72	1	Clip-Closed, Insulated	45	3274-55	4	Screw-HSBH
20	106-5286-03	1	Shroud-Engine	46	3256-23	4	Washer-Flat
21	106-5026-01	1	Panel-Box Seat, RH	47	3290-379	4	Tie-Cable
22	106-5037	1	Barrier-Noise, Front Panel	48	3234-13	3	Screw-HHF
23	94-7090-03	1	Seat Box Angle ASM				



Control Console Assembly

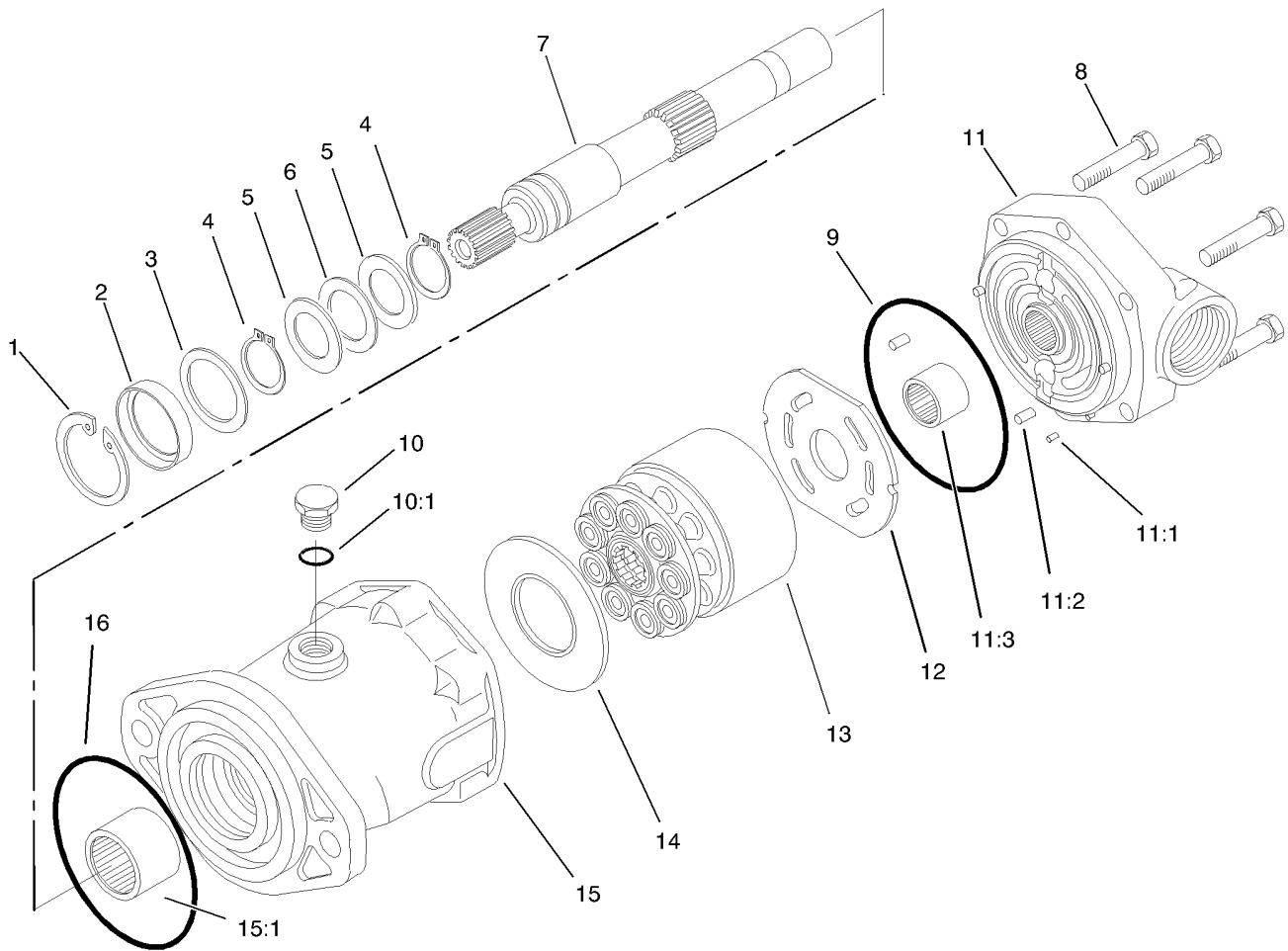
<i>Ref.</i>	<i>Part Number</i>	<i>Qty.</i>	<i>Description</i>
1	94-7142	1	Panel-Foam
2	106-5199	1	Cable Throttle ASM
3	3234-4	2	Screw-HHF
4	106-5243-03	1	Plate-Mount, Throttle
5	3290-134	2	Screw
6	94-7178	2	Seal-Foam, Console
7	74-5950	1	Latch-Swell
8	106-5218	1	Plate-Panel, Switch
8:2	106-5217	1	Decal-Plate, Switch
9	99-7420	4	Plug-Hole
10	100-8490	5	Switch-Rocker
11	100-1535	3	Switch
12	106-5223	1	Plate-Cover, Throttle
13	94-7087	1	Pad
14	3296-27	4	Nut-Lock, NI
15	3250-31	4	Screw-PPH
16	233-42	1	Knob



Rear Wheel Assembly

Ref.	Part Number	Qty.	Description	Ref.	Part Number	Qty.	Description
1	93-6488	1	Hydraulic Motor ASM	15	100-3046	2	Shaft-Brake, Splined
2	107-8656	1	Cable-Brake, LH	16	93-7972	4	Ring-Retaining, Internal
3	100-3069-03	1	Brake ASM	17	93-6489	1	Hydraulic Motor ASM
4	105-4500-03	2	Planetary ASM	18	33096-00	4	Washer-Flat
5	242-50	16	Nut-Lug	19	33116-120	4	Screw-HH
7		2	Tire And Wheel ASM ●	20	104-3795	2	Fitting-HYD, Tee
7:1	106-5024	1	Wheel	20:1	340-65	2	O-Ring
7:2	93-6152	1	Tire	20:2	237-146	1	O-Ring
7:3	232-27	1	Stem-Valve	21	106-5034	1	Hose ASM
8	100-3070-03	1	Brake ASM	22	104-9187	2	Hose ASM
9	33106-090	8	Screw-HHF	23	104-9196	1	Hose ASM
10	107-8657	1	Cable-Brake, RH	24	340-91	2	Adapter
11	33106-030	12	Screw-HHF	24:1	237-58	1	O-Ring
12	104-9193	1	Hose ASM	24:2	237-146	1	O-Ring
12:1	237-79	1	O-Ring	25	104-9197	1	Hose ASM
13	340-104	1	Fitting-HYD, Tee	26	237-166	2	O-Ring
13:1	237-30	2	O-Ring	27	2412-93	1	Clamp-R
14	340-4	1	Fitting-HYD, Straight	28	3234-4	1	Screw-HHF
14:1	237-30	1	O-Ring	29	32128-33	1	Nut-HF
14:2	237-79	1	O-Ring				

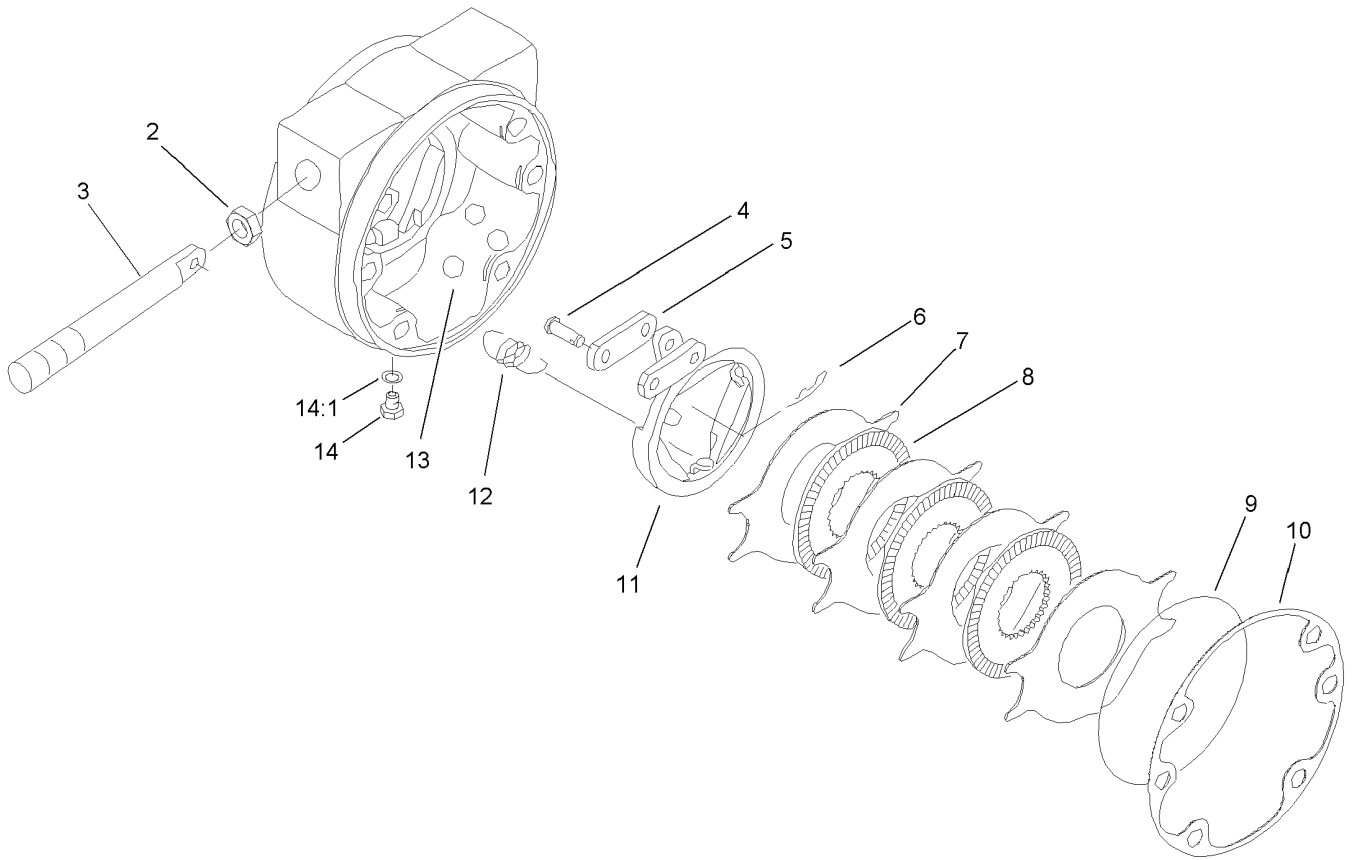
● Not serviced separately



Hydraulic Motor Assembly No. 93-6488

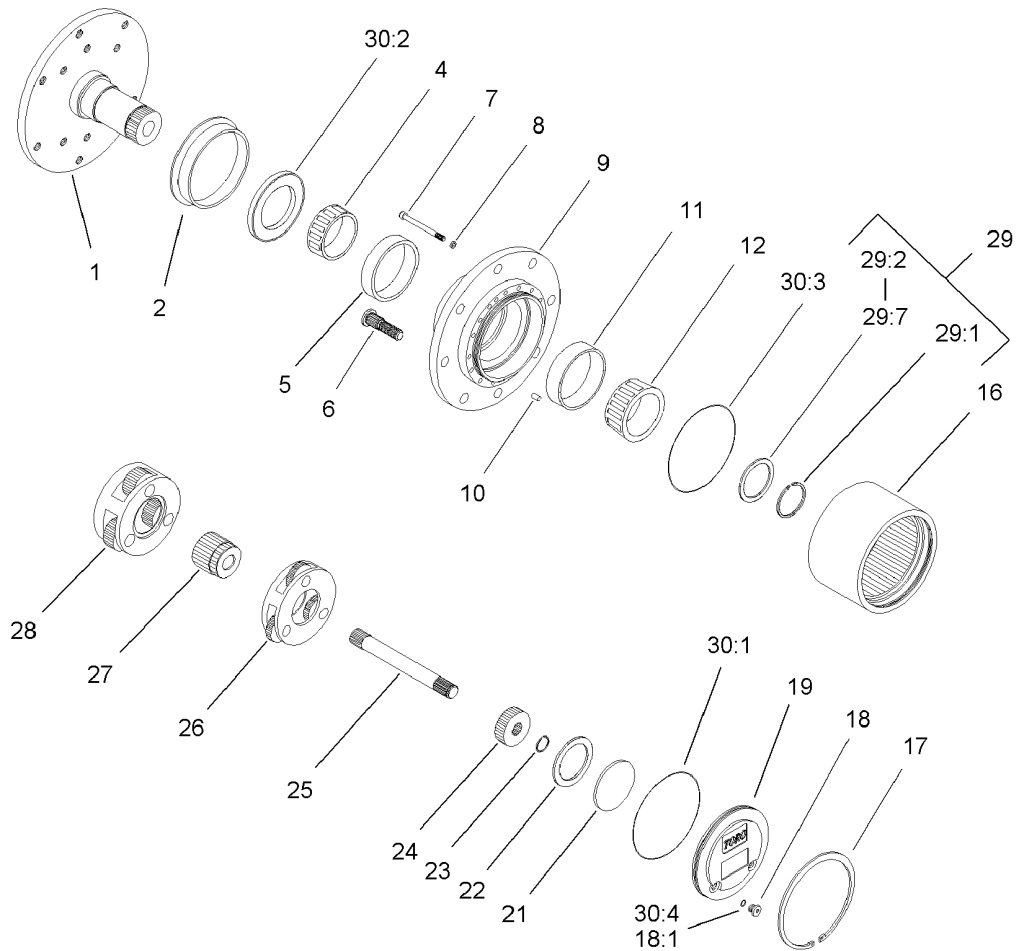
<i>Ref.</i>	<i>Part Number</i>	<i>Qty.</i>	<i>Description</i>
1	76-7010	1	Ring-Retaining
2	105-3331	1	Seal-Shaft
3	60-6240	1	Washer
4	76-7000	2	Ring-Retaining
5	76-6950	2	Race-Thrust
6	76-6960	1	Bearing-Thrust
7	94-3004	1	Shaft-Drive, Splined
8	94-3002	6	Capscrew
9	76-6980	1	O-Ring
10	94-3009	1	Plug
10:1		1	Seal-Dust ●
11	95-2081	1	Back Plate ASM
11:1		1	Pin-Dowel ●
11:2		3	Pin-Dowel ●
11:3		1	Bearing-Needle ●
12	94-3003	1	Plate-Valve
13	76-6910	1	Rotating Kit
14	76-6970	1	Insert-Plate, Cam
15	95-2082	1	Housing
15:1		1	Bearing-Needle ●
16	237-166	1	O-Ring

● Not serviced separately



Brake Assembly No. 100-3069-03

<i>Ref.</i>	<i>Part Number</i>	<i>Qty.</i>	<i>Description</i>
2	93-7977	1	Seal
3	93-7978	1	Rod-Pull
4	93-7983	2	Pin-Clevis
5	93-7980	2	Link
6	93-7979	2	Pin-Hitch
7	93-7986	4	Disc-Stationary
8	104-4278	3	Disc-Rotating
9	93-7976	1	Ring-Retaining
10	93-7984	1	Gasket
11	104-4280	1	Actuator-Rotating
12	93-7987	3	Spring-Extension
13	93-7985	3	Ball
14	353-990	2	Plug ASM
14:1	237-78	1	O-Ring

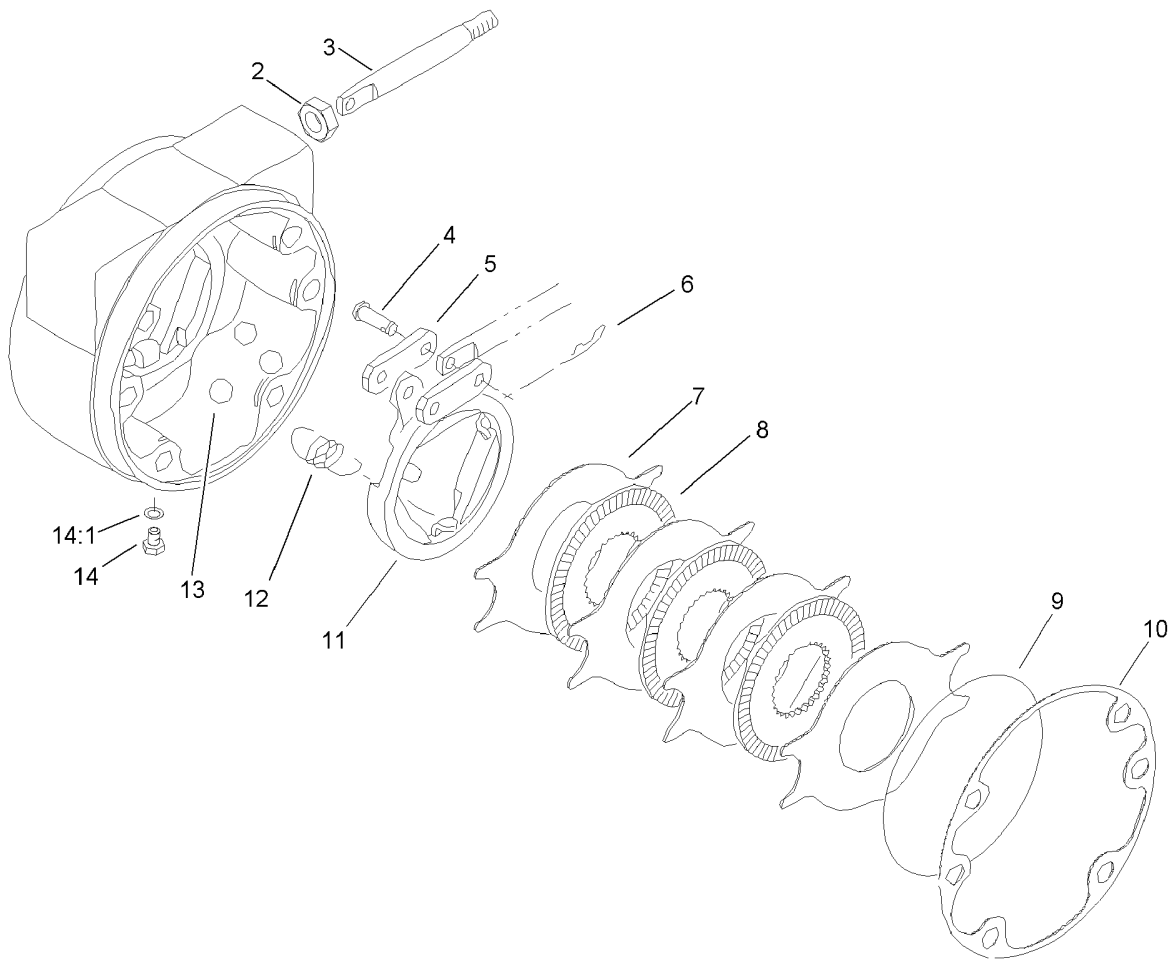


Planetary Assembly No. 105-4500-03

Ref.	Part Number	Qty.	Description	Ref.	Part Number	Qty.	Description
1		1	Spindle ■	24	105-8114	1	Gear-Primary
2	105-8122	1	Seal-Boot	25	105-8115	1	Shaft-Drive
4	105-8120	1	Bearing-Cone	26	105-8129	1	Primary Carrier ASM
5	105-8119	1	Bearing-Cup	27	105-8139	1	Gear-Secondary
6	105-8124	8	Stud-Wheel	28	105-8130	1	Secondary Carrier ASM
7	105-8125	16	Bolt-Head, Socket	29	105-8136	1	Shim Kit
8	3253-18	16	Washer-Lock	29:1		1	Ring-Snap ■
9		1	Housing ■	29:2		1	Shim-Bearing, 2.9Mm ■
10	105-8121	1	Pin-Dowel	29:3		1	Shim-Bearing, 2.8Mm ■
11	105-8117	1	Bearing-Cup	29:4		1	Shim-Bearing, 2.7Mm ■
12	105-8118	1	Bearing-Cone	29:5		1	Shim-Bearing, 2.6Mm ■
16	105-8113	1	Gear-Ring	29:6		1	Shim-Bearing, 2.5Mm ■
17	105-8132	1	Ring-Retaining	29:7		1	Shim-Bearing, 2.4Mm ■
18	353-990	2	Plug ASM	30	105-8137	1	Seal Kit ●
18:1	237-78	1	O-Ring	30:1		1	O Ring-Flange Cap ■
19	105-8138	1	Cap-End	30:2		1	Seal-Oil ■
21	105-8133	1	Plug-Thrust	30:3		2	O Ring-End Cap ■
22	105-8123	1	Washer-Thrust	30:4	237-78	2	O-Ring
23	105-8131	1	Ring-Retaining				

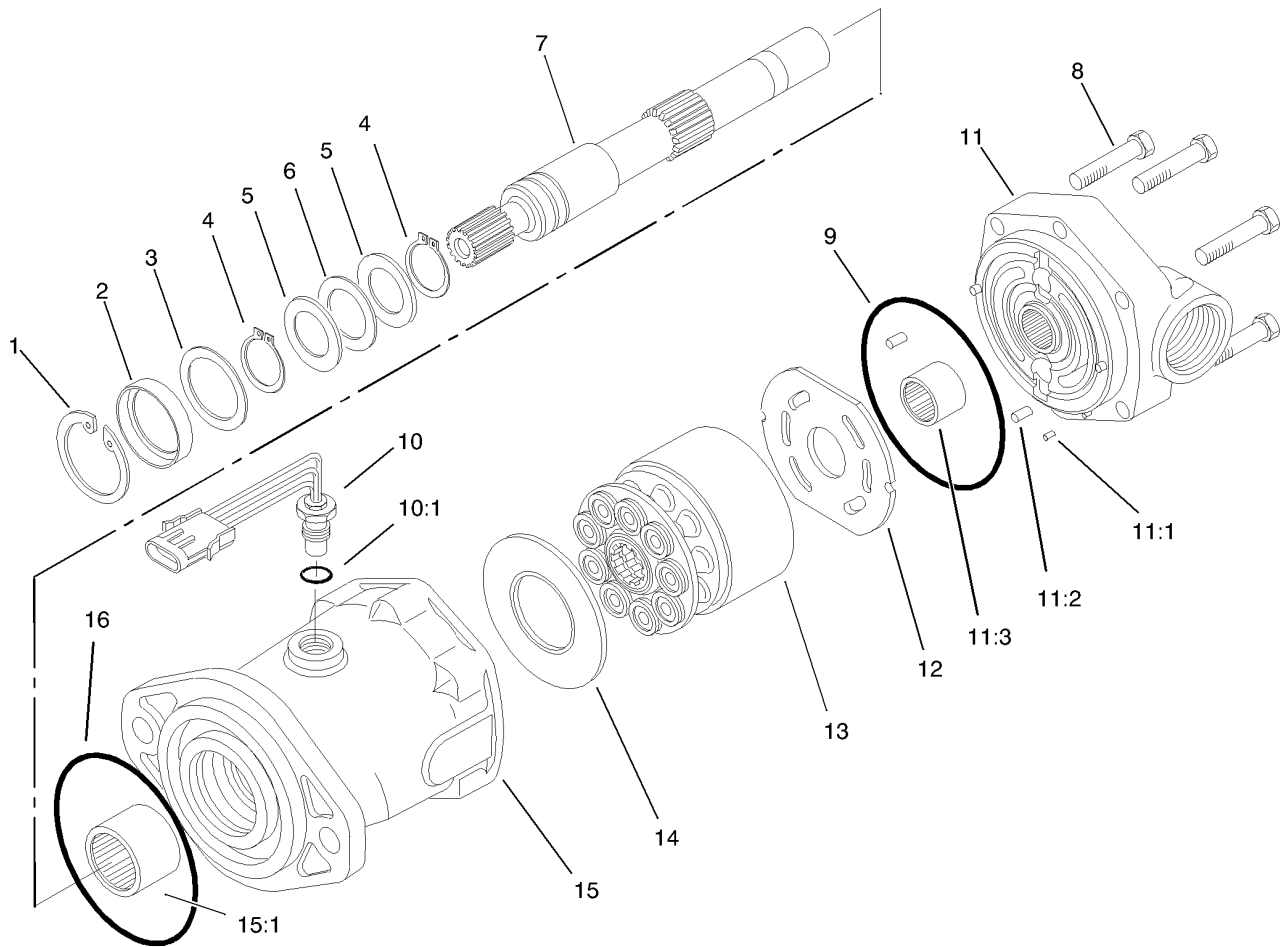
● Not illustrated

■ Not serviced separately



Brake Assembly No. 100-3070-03

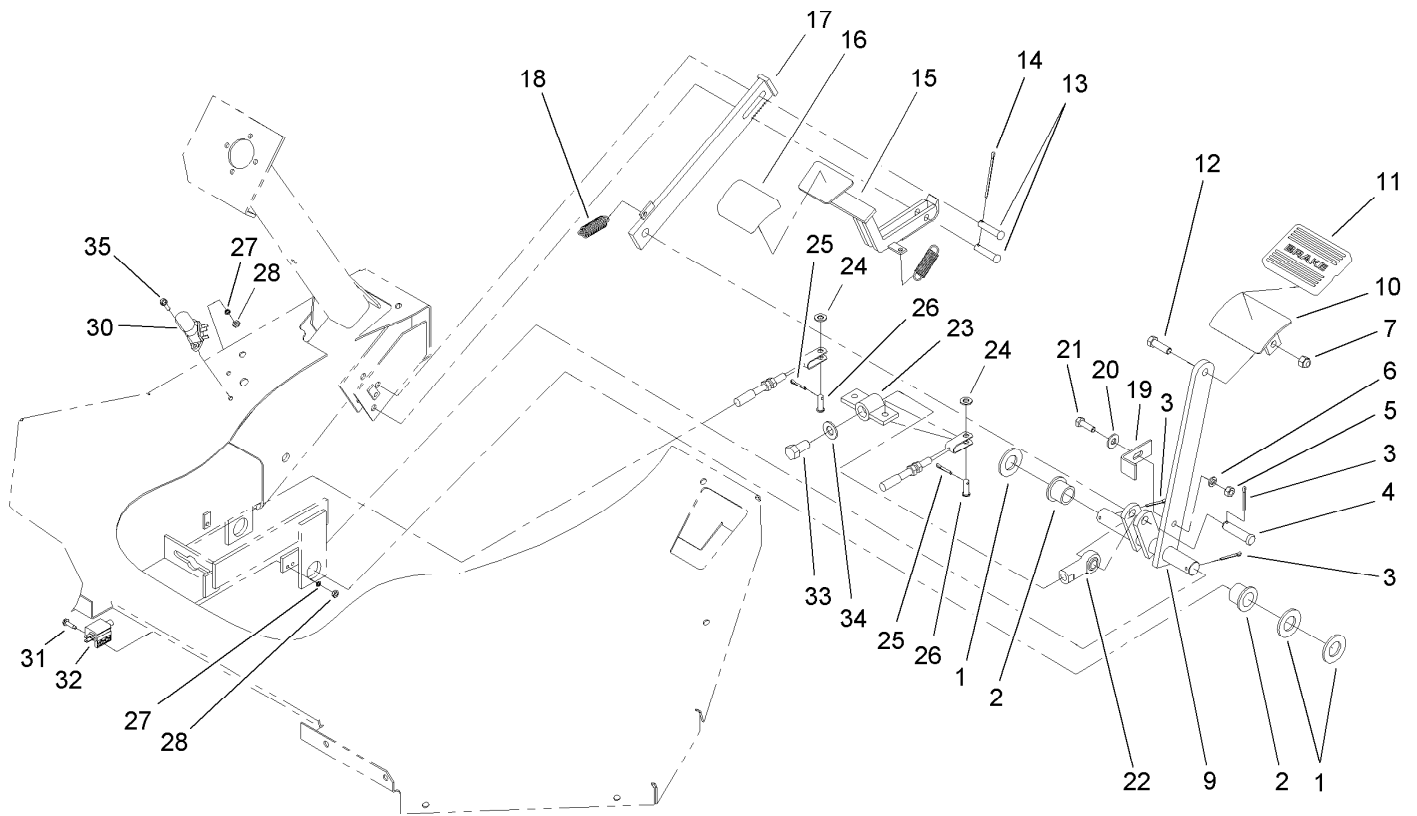
<i>Ref.</i>	<i>Part Number</i>	<i>Qty.</i>	<i>Description</i>
2	93-7977	1	Seal
3	93-7978	1	Rod-Pull
4	93-7983	2	Pin-Clevis
5	93-7980	2	Link
6	93-7979	2	Pin-Hitch
7	93-7986	4	Disc-Stationary
8	104-4278	3	Disc-Rotating
9	93-7976	1	Ring-Retaining
10	93-7984	1	Gasket
11	104-4279	1	Actuator-Rotating
12	93-7987	3	Spring-Extension
13	93-7985	3	Ball
14	353-990	2	Plug ASM
14:1	237-78	1	O-Ring



Hydraulic Motor Assembly No. 93-6489

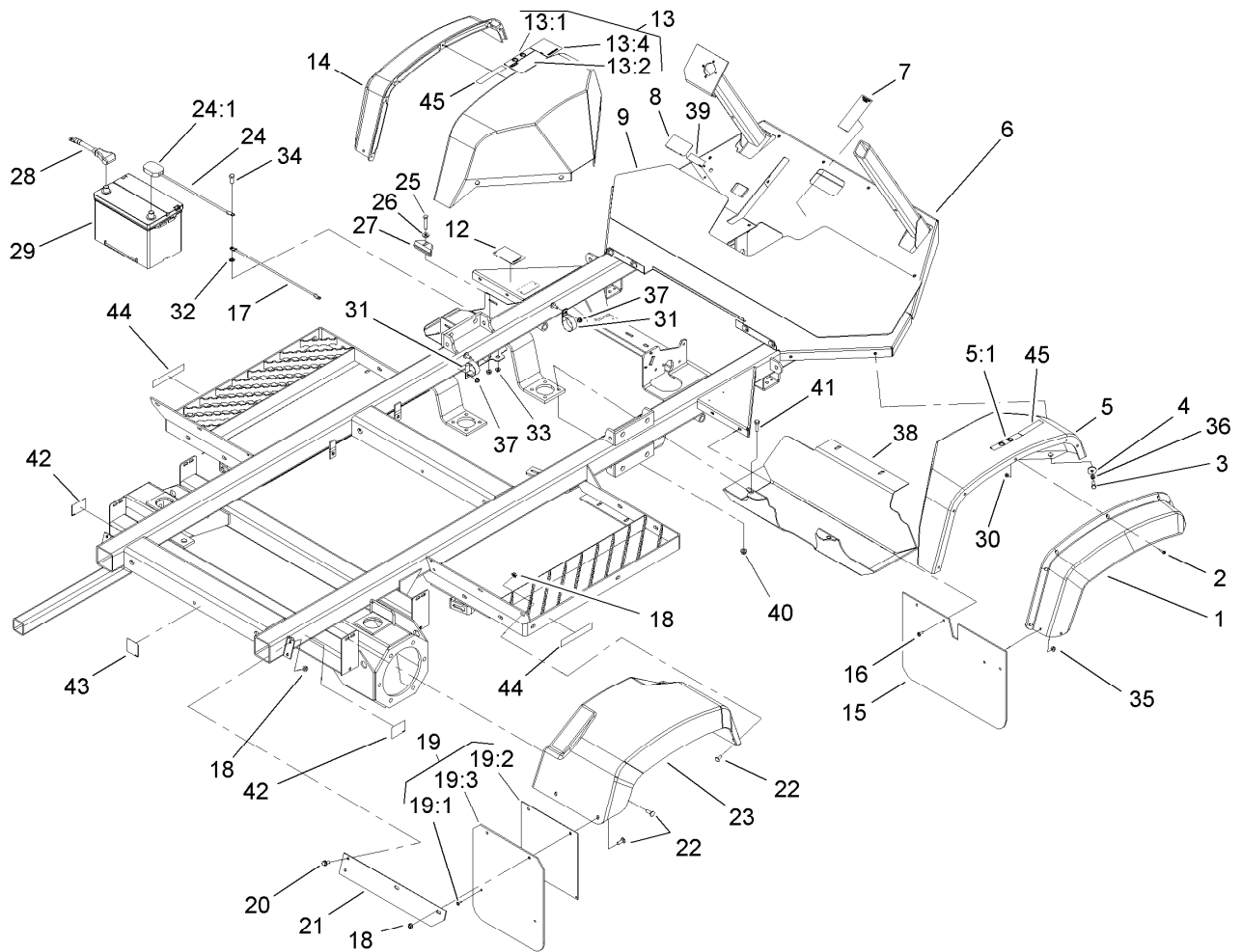
Ref.	Part Number	Qty.	Description
1	76-7010	1	Ring-Retaining
2	105-3331	1	Seal-Shaft
3	60-6240	1	Washer
4	76-7000	2	Ring-Retaining
5	76-6950	2	Race-Thrust
6	76-6960	1	Bearing-Thrust
7	94-3004	1	Shaft-Drive, Splined
8	94-3002	6	Capscrew
9	76-6980	1	O-Ring
10	94-3010	1	Sensor-Speed, Pickup
10:1		1	Seal-Dust ●
11	95-2081	1	Back Plate ASM
11:1		1	Pin-Dowel ●
11:2		3	Pin-Dowel ●
11:3		1	Bearing-Needle ●
12	94-3003	1	Plate-Valve
13	76-6910	1	Rotating Kit
14	76-6970	1	Insert-Plate, Cam
15	95-2083	1	Housing
15:1		1	Bearing-Needle ●
16	237-166	1	O-Ring

● Not serviced separately



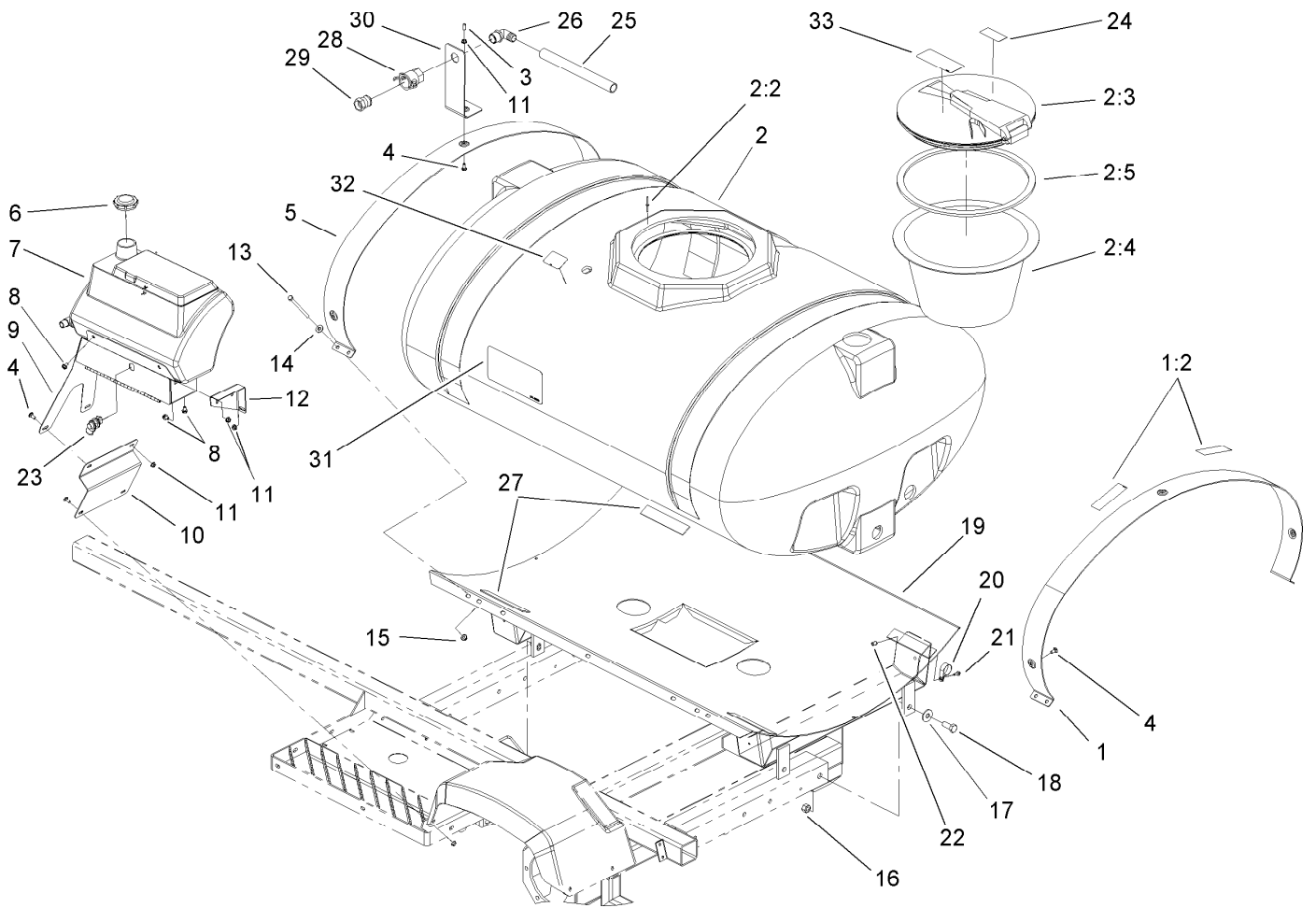
Brake and Pedal Assembly

<i>Ref.</i>	<i>Part Number</i>	<i>Qty.</i>	<i>Description</i>	<i>Ref.</i>	<i>Part Number</i>	<i>Qty.</i>	<i>Description</i>
1	3256-29	3	Washer-Flat	19	93-6592	1	Bracket
2	94-7164	2	Bearing	20	3256-3	1	Washer-Flat
3	3272-12	3	Pin-Cotter	21	322-5	1	Screw-HH
4	42195	1	Pin-Clevis	22	522087	1	Rod-End
5	3217-6	1	Nut-Hex	23	93-6595	1	Brake Equalizer ASM
6	3253-4	1	Washer-Lock	24	3256-23	2	Washer-Flat
7	3296-39	1	Nut-Lock, NI	25	3272-10	2	Pin-Cotter
9	93-6589	1	Brake Shaft ASM	26	283-58	2	Pin-Clevis
10	100-8422-03	1	Pedal Bracket ASM	27	3253-17	4	Washer-Lock
11	7-3900	1	Pad-Brake	28	3217-26	4	Nut-Hex
12	323-7	1	Screw-HH	30	94-7170	1	Switch-Floor
13	283-15	2	Pin-Clevis	31	32144-125	2	Screw-SHWH
14	3272-53	1	Pin-Cotter	32	1-513051	1	Switch-Open, Normally
15	93-6599-03	1	Catch ASM	33	3213-1	1	Screw-HH
16	42719	1	Pad-Pedal	34	3256-26	1	Washer-Flat
17	93-6598-03	1	Brake Strap ASM	35	32105-13	2	Screw-HWH
18	92-0417	2	Spring-EXT				



Frame, Fender and Battery Assembly

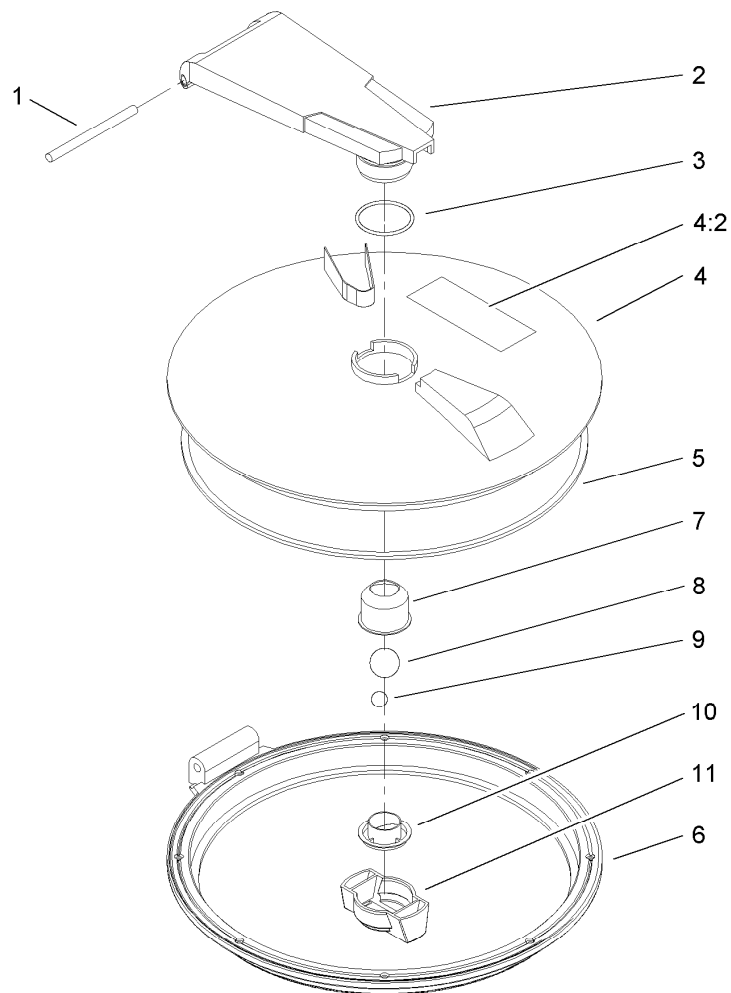
Ref.	Part Number	Qty.	Description	Ref.	Part Number	Qty.	Description
1	94-7074	1	Flare-Fender, RH	22	3230-1	12	Bolt-CARR
2	32105-13	12	Screw-HWH	23	93-6498	2	Fender-Rear
3	322-3	8	Screw-HH	24	99060	1	Cable-Ground
4	356303	8	Washer	24:1	106-4915	1	Cap-Protective, Blue
5	94-8532	1	RH Fender ASM	25	322-9	1	Screw-HH
5:1	93-6687	1	Decal-No Step	26	3256-3	1	Washer-Flat
6	106-5262-03	1	Frame ASM	27	66-2490	1	Retainer-Battery
7	107-8724	1	Decal-Traction	28	105-0114	1	Cable-Battery, Positive
8	100-8619	1	Decal-Switch, Boom	29	106-5190	1	Battery-Dry
9	104-8863	1	Tread-Floor	30	3290-148	12	Nut-HF
12	107-8720	1	Decal-Warning, Safety Start	31	2412-96	2	Clamp-R
13	94-8531	1	LH Fender ASM	32	3255-9	1	Washer-Lock
13:1	93-6687	1	Decal-No Step	33	32128-43	1	Nut-Flange
13:2	107-8723	1	Decal-Warning, Safety	34	323-6	1	Screw-HH
13:4	107-8725	1	Decal-Warning, Braking	35	32128-33	8	Nut-HF
14	94-7075	1	Flare-Fender, LH	36	3253-4	8	Washer-Lock
15	94-7071	2	Guard-Splash	37	104-8300	2	Nut-Flange, NI
16	92-3911	8	Screw-HSBH	38	107-8688-03	1	Shield-Heat
17	42617	1	Cable-Ground	39	107-8722	1	Decal-Instructions, Parking Brake
18	32128-20	17	Nut-HF	40	104-8301	4	Nut-Flange, NI
19	94-7127	2	Splash Guard ASM	41	323-7	4	Screw-HH
19:1	114439	2	Rivet-Pop	42	107-8667	2	Decal-Jacking
19:2	94-7128-03	1	Plate-Guard, Splash	43	107-8666	1	Decal-Tie-Down / Towing
19:3	94-7129	1	Guard-Splash	44	107-8732	2	Decal-Torque (Ce)
20	3234-5	4	Screw-HHF	45	107-8731	2	Decal-Torque (Ce)
21	93-6528-03	2	Strap-Mount, Fender				



Fresh Water and Spray Tank Assembly

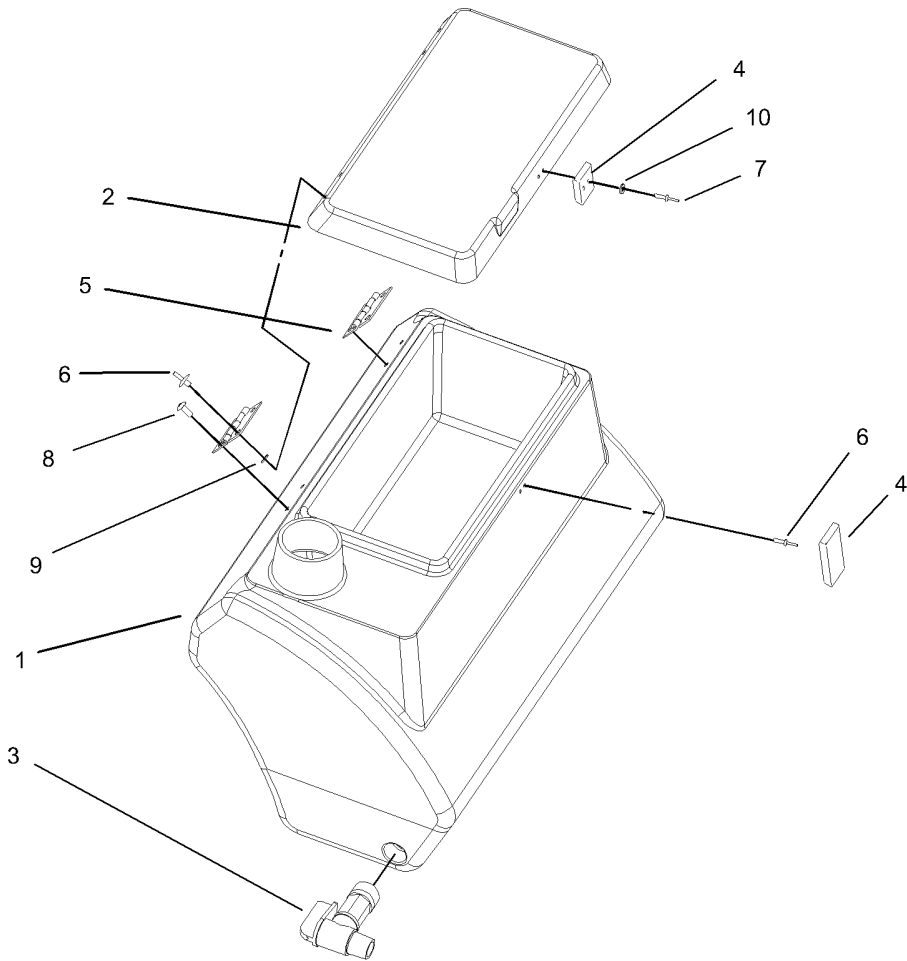
Ref.	Part Number	Qty.	Description	Ref.	Part Number	Qty.	Description
1	106-4966	1	Tank Band ASM	15	104-8301	8	Nut-Flange, NI
1:2	106-5016	2	Decal-Caution, Electric Shock	16	3217-11	2	Nut-Hex
2	106-5011	1	300 Gallon Tank ASM	17	3256-7	2	Washer-Flat
2:2	93-0833	8	Rivet-Blind	18	327-4	2	Screw-HH
2:3		1	Screw Type Tank Lid ASM ●	19	106-5288-03	1	Tank Saddle ASM
2:4	104-9051	1	Basket-Strainer	20	2412-74	1	R-Clamp
2:5	106-4991	1	Seal-Lid	21	3234-4	1	Screw-HHF
3	42452	1	Cap-Protective	22	32148-6	1	Insert-Nut
4	3230-2	4	Bolt-CARR	23	104-8914	1	Latch-Box, Storage
5	104-9126-03	1	Band-Mounting, Tank	24	106-1355	1	Decal-No Tank Entry
6	100-7008	1	Cap-Tank, Fresh Water	25	104-9075	1	Hose-Siphon, Anti
7	100-8438	1	Fresh Water Tank ASM	26	41140	1	Elbow
8	3234-28	6	Screw-HHF	27	104-7102	4	Pad-Battery
9	104-8912-03	1	Tank Bracket ASM	28	100-6779	1	Coupling-Female
10	104-9125-03	1	Bracket-Glove Box	29	41316	1	Adapter-Quick
11	32128-20	7	Nut-HF	30	104-9122-03	1	Bracket-Siphon, Anti
12	104-9124-03	1	Mount-Tank, Plate	31	104-9166	2	Decal-Tank, 300 Gallon
13	41809	8	Screw-HH	32	106-5065	1	Decal-Drain, Tank
14	3256-4	8	Washer-Flat	33	93-0688	1	Decal-Warning, Chemical

● Not serviced separately



Lid Assembly

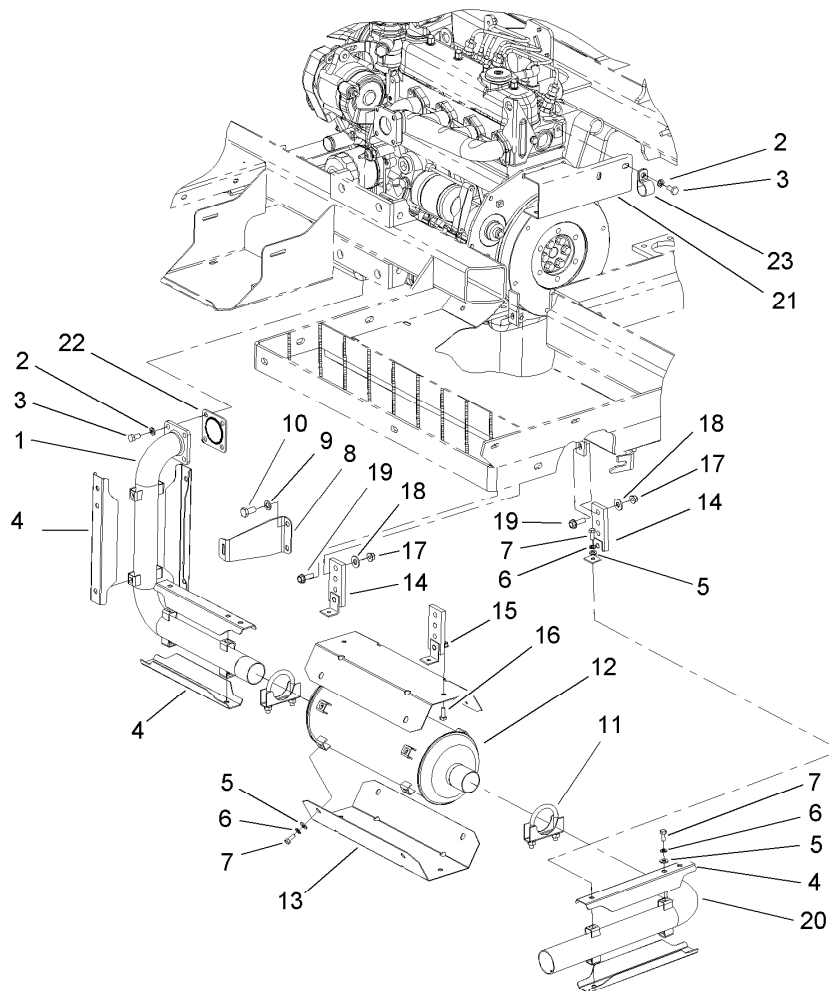
<i>Ref.</i>	<i>Part Number</i>	<i>Qty.</i>	<i>Description</i>
1	106-5000	1	Pin-Pivot
2	106-5001	1	Arm
3	106-5002	1	O-Ring
4	106-1369	1	Lid
4:2	93-0688	1	Decal-Warning, Chemical
5	106-5004	1	Seal-Lid
6	106-5005	1	Ring
7	106-5006	1	Cup-Vent
8	106-5007	1	Ball-Floating
9	106-5008	1	Ball-Weight
10	106-5009	1	Holder-Ball
11	106-5010	1	Nut-Wing



Fresh Water Tank Assembly No. 100-8438

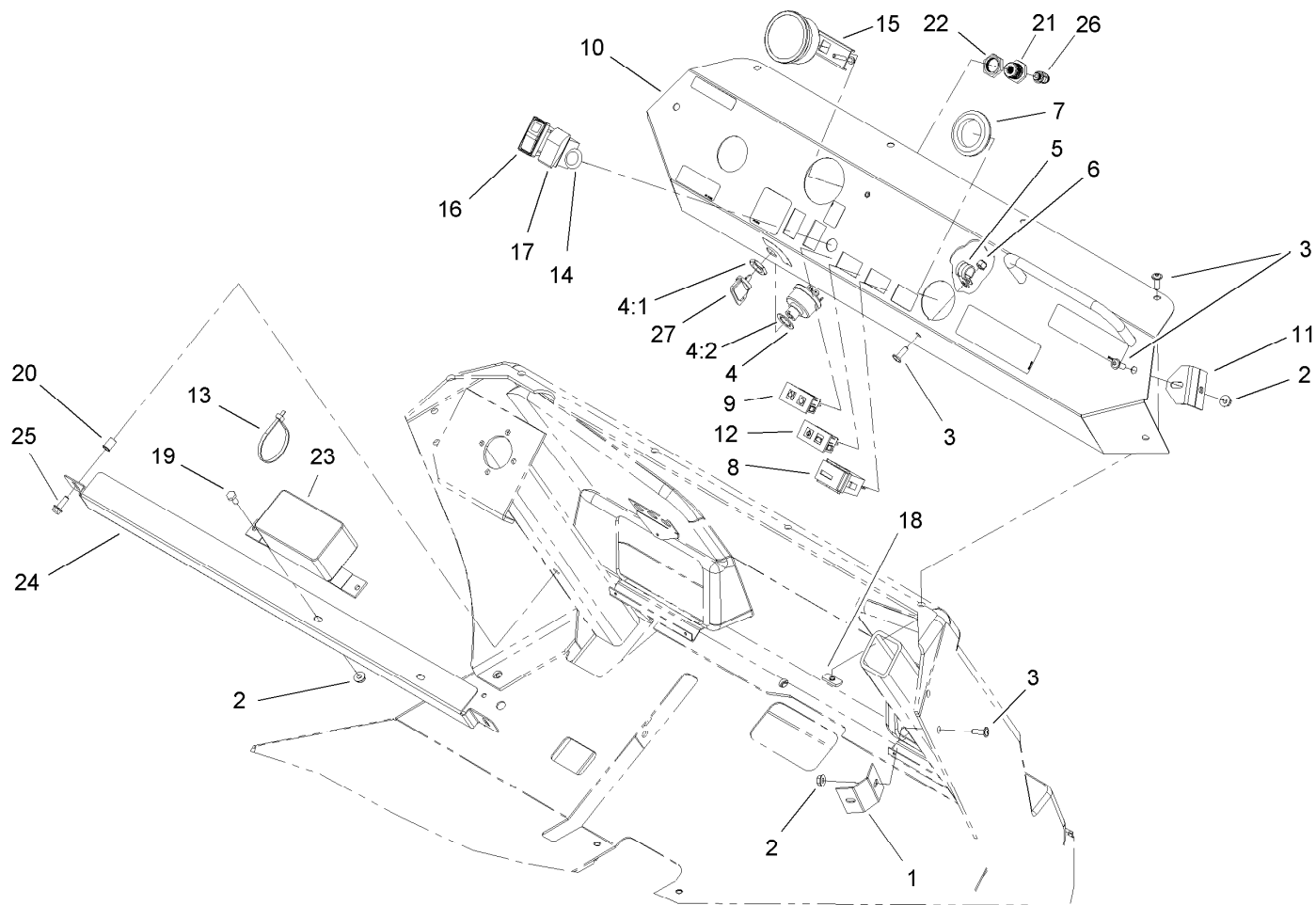
<i>Ref.</i>	<i>Part Number</i>	<i>Qty.</i>	<i>Description</i>
1		1	Tank-Water, Fresh ●
2	100-8397	1	Cover-Tank
3	100-7011	1	Spigot-90 DEG
4	100-7009	1	Latch-Draw
5	100-7010	2	Hinge
6	100-7062	4	Rivet
7	100-7063	4	Rivet
8	100-7064	4	Screw
9	100-7065	4	Washer
10	100-7066	2	Washer

● Not serviced separately



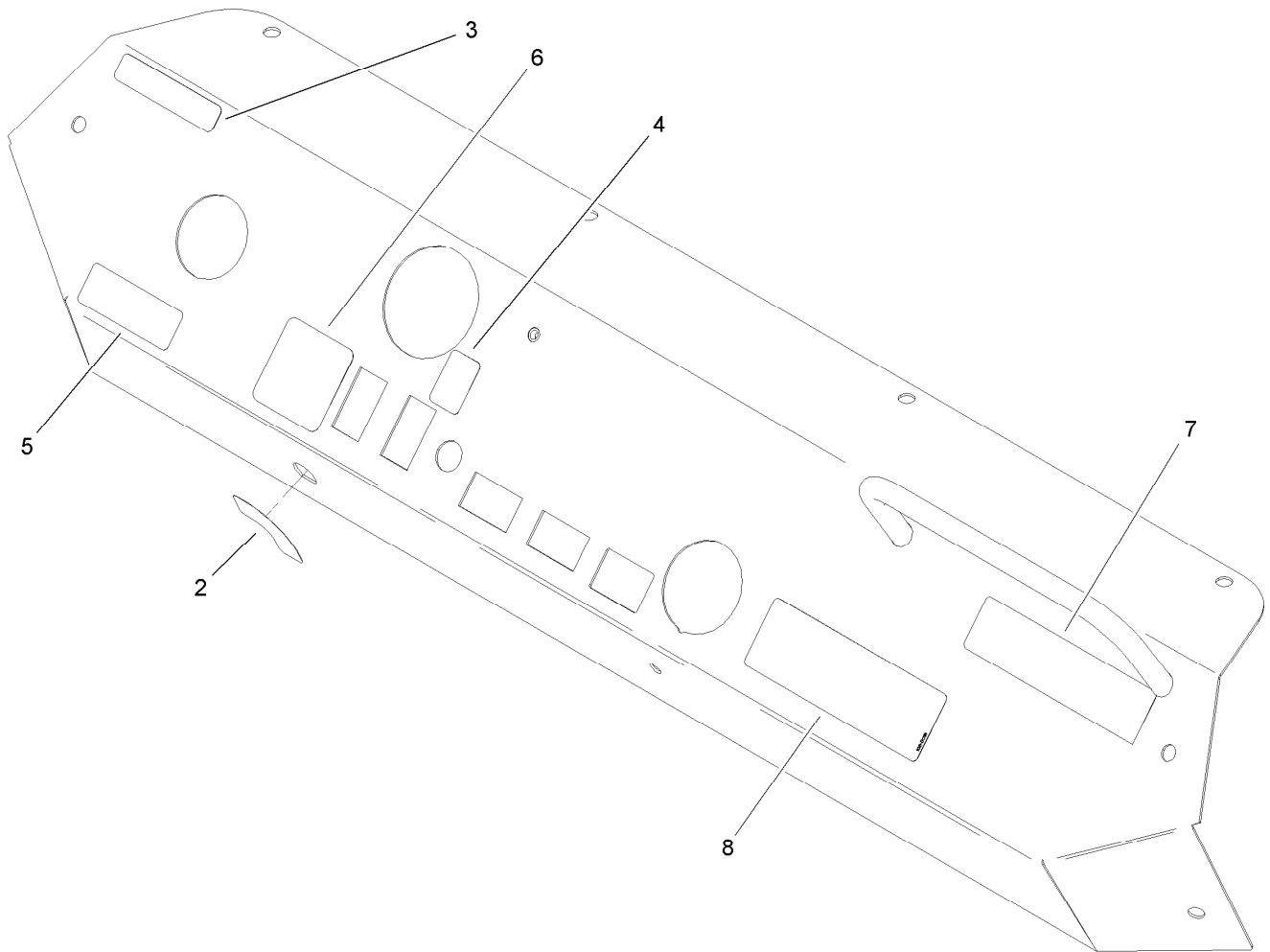
Exhaust Assembly

Ref.	Part Number	Qty.	Description
1	106-5263	1	Pipe-Exhaust
2	42-9850	6	Washer-Lock, Spring
3	33114-016	6	Screw-HH
4	106-5278	6	Shield-Heat, Exhaust
5	3256-22	20	Washer-Flat
6	3253-3	20	Washer-Lock
7	33113-016	20	Screw-HH
8	107-8680-03	1	Bracket-Exhaust Pipe
9	42-9600	2	Washer-Lock, Spring
10	63-7790	2	Screw-Cap
11	18-2130	2	Clamp
12	106-5276	1	Muffler
13	106-5275	2	Shield-Heat, Muffler
14	106-5282	3	Hanger-Tailpipe
15	32128-33	2	Nut-HF
16	321-4	2	Screw-HH
17	104-8300	3	Nut-Flange, NI
18	3256-56	3	Washer-Flat
19	3234-17	3	Screw-HHF
20	106-5281	1	Tailpipe
21	107-8655	1	Shield-Heat
22	99-8343	1	Gasket-Muffler
23	2412-41	1	Clamp



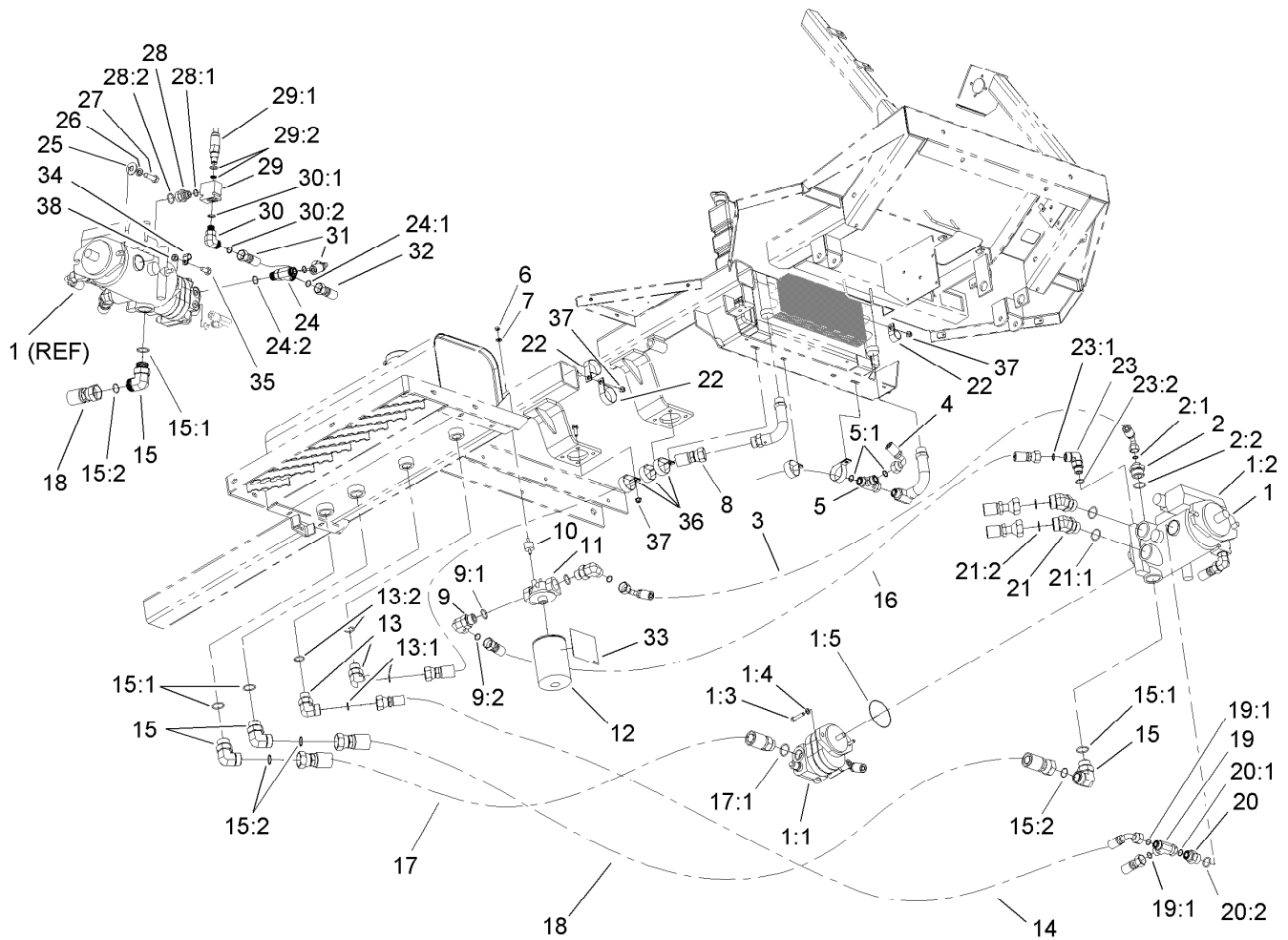
Dash and Instrument Assembly

<i>Ref.</i>	<i>Part Number</i>	<i>Qty.</i>	<i>Description</i>	<i>Ref.</i>	<i>Part Number</i>	<i>Qty.</i>	<i>Description</i>
1	94-7140-03	2	Clip-Dash, Lower	14	94-7290	2	Plug-Hole
2	32128-33	10	Nut-HF	15	104-9115	1	Gauge-Pressure
3	92-3911	13	Screw-HSBH	16	104-9007	1	Switch-Rocker
4	104-2541	1	Switch ASM	17	100-8469	1	Switch-Rocker
4:1	218-461	1	Nut-HH	18	904156	4	Weldnut
4:2	3254-5	1	Washer-Tooth, Internal	19	321-3	2	Screw-HH
5	2412-134	1	Clamp-R	20	32148-6	2	Insert-Nut
6	3296-42	1	Nut-Lock, NI	21	100-8665	1	Reducer-Gauge, Pressure
7	40764	1	Grommet	22	100-8666	1	Nut-Reducer
8	94-4208	1	Hourmeter	23	104-9104	1	Module-Valve, Pwm
9	107-8718	1	Cluster-Light	24	104-9146-03	1	Plate-Shield, Head Light
10	106-5019	1	Dash Panel ASM	25	3234-4	2	Screw-HHF
11	94-7139-03	2	Clip-Dash, Upper	26	100-8667	1	Coupler-Reducer
12	107-8719	1	Cluster-Light	27	63-8360	1	Key-Ignition
13	3290-379	23	Tie-Cable				



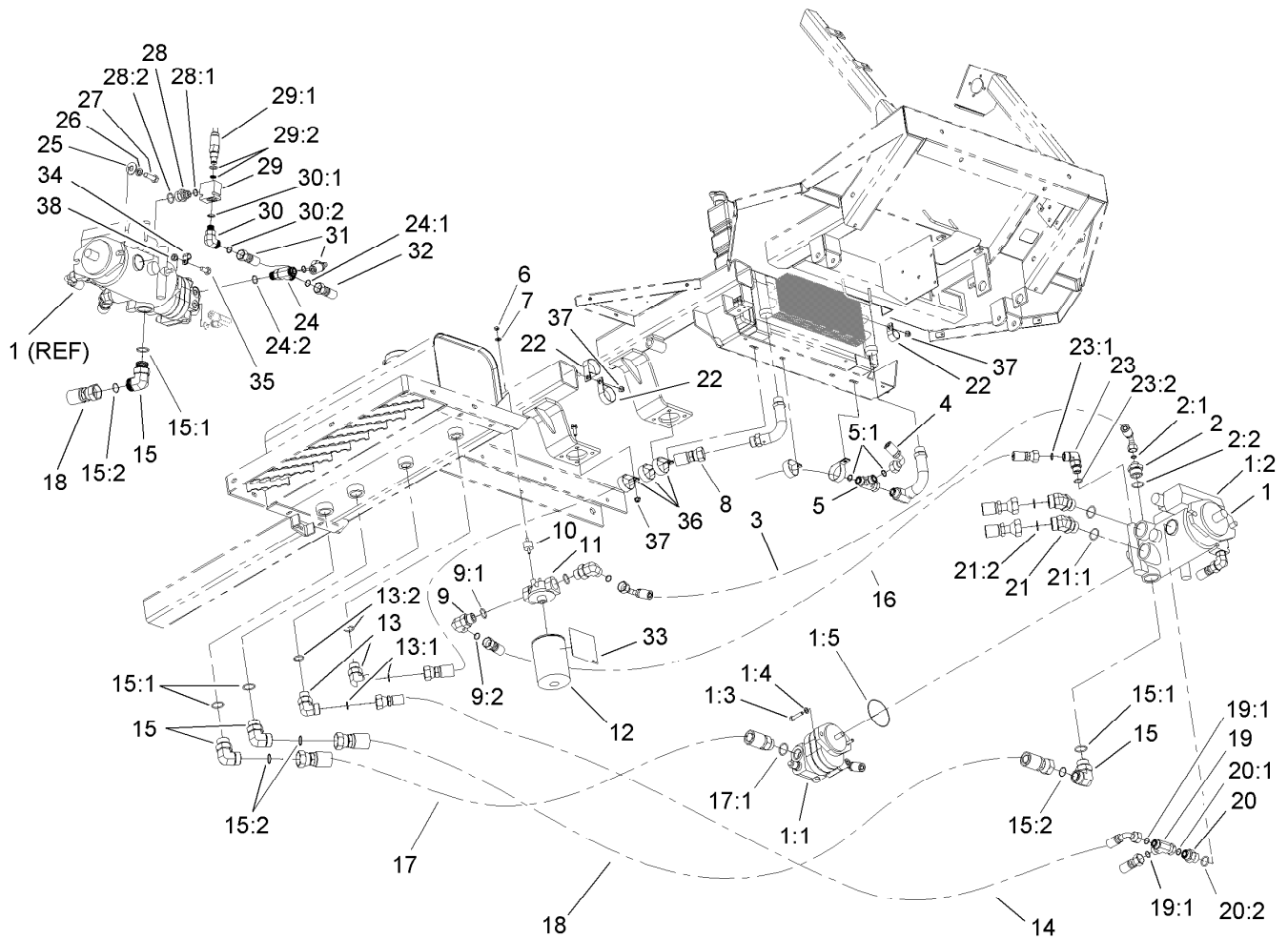
Dash Panel Assembly No. 106-5019

<i>Ref.</i>	<i>Part Number</i>	<i>Qty.</i>	<i>Description</i>
2	105-7506	1	Decal-Switch, Key
3	104-7628	1	Decal-Manual
4	94-7171	1	Decal-Headlight
5	107-8722	1	Decal-Instructions, Parking Brake
6	104-9129	1	Decal-Pedal, Traction
7	107-8726	1	Decal-Warning
8	106-5016	1	Decal-Caution, Electric Shock



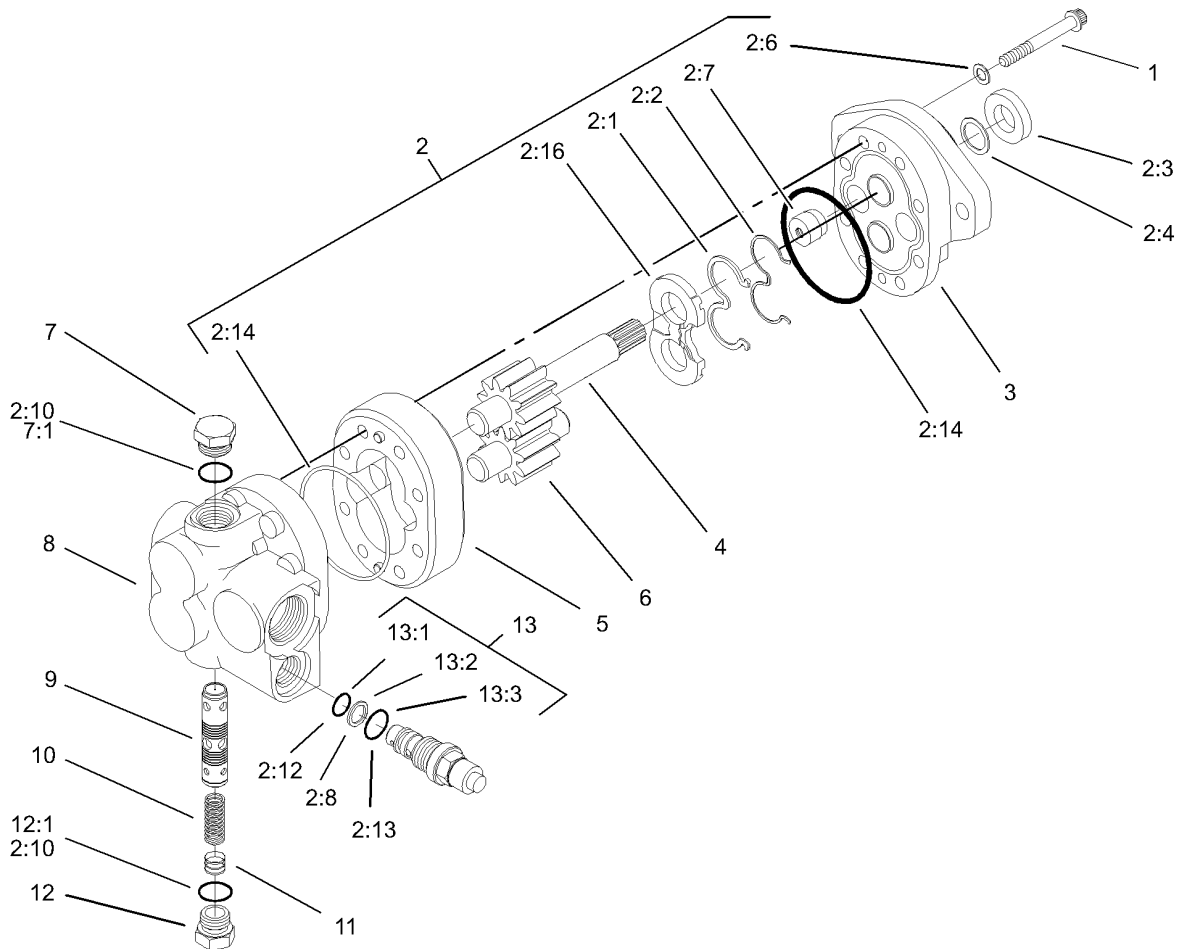
Hydraulic Pump Assembly

Ref.	Part Number	Qty.	Description	Ref.	Part Number	Qty.	Description
1	93-6490	1	Pump ASM	15:1	237-146	1	O-Ring
1:1	93-6492	1	Gear Pump ASM	15:2	340-65	1	O-Ring
1:2	93-6491	1	Piston Pump ASM	16	104-9192	1	Hose ASM
1:3	323-7	2	Screw-HH	17	106-5031	1	Hose ASM
1:4	60-3540	2	Washer	17:1	237-146	1	O-Ring
1:5	60-3520	1	O-Ring	18	106-5032	1	Hose ASM
2	104-9178	1	Fitting-Straight	19	340-147	1	Fitting-HYD, Tee
2:1	237-30	1	O-Ring	19:1	237-65	2	O-Ring
2:2	237-146	1	O-Ring	20	340-8	1	Adapter
3	104-9191	1	Hose ASM	20:1	237-65	1	O-Ring
4	106-5030	1	Hose ASM	20:2	237-81	1	O-Ring
5	340-147	1	Fitting-HYD, Tee	21	104-3509	2	Fitting-HYD, 45 DEG
5:1	237-65	2	O-Ring	21:1	237-146	1	O-Ring
6	3217-5	2	Nut-Hex	21:2	340-65	1	O-Ring
7	3256-22	2	Washer-Flat	22	2412-39	3	R-Clamp
8	106-5266	1	Hose ASM	23	340-17	1	Fitting-HYD, 90 DEG
9	340-139	2	Fitting-HYD, 90 DEG	23:1	237-65	1	O-Ring
9:1	237-81	1	O-Ring	23:2	237-80	1	O-Ring
9:2	237-65	1	O-Ring	24	340-22	1	Fitting-HYD, Tee
10	106-5271	2	Mount-Isolation	24:1	237-65	2	O-Ring
11	92-5821	1	Head-Filter	24:2	237-80	1	O-Ring
12	86-3010	2	Filter-Oil	25	3256-6	2	Washer-Flat
13	340-142	2	Fitting-HYD, 90 DEG	26	3253-7	2	Washer-Lock
13:1	237-58	1	O-Ring	27	325-6	2	Screw-HH
13:2	237-81	1	O-Ring	28	104-9168	1	Adapter
14	106-5033	1	Hose ASM	28:1	237-79	1	O-Ring
15	340-129	3	Fitting-HYD, 90	28:2	237-81	1	O-Ring



Hydraulic Pump Assembly (continued)

<i>Ref.</i>	<i>Part Number</i>	<i>Qty.</i>	<i>Description</i>	<i>Ref.</i>	<i>Part Number</i>	<i>Qty.</i>	<i>Description</i>
29	94-7012	1	Valve-Relief	32	106-5029	1	Hose ASM
29:1	94-8763	1	Cartridge	33	107-8727	1	Decal-Element
29:2	94-8764	1	Seal Kit	34	2412-93	1	Clamp-R
30	340-153	1	Fitting-Elbow, 90 DEG	35	3234-4	1	Screw-HHF
30:1	237-79	1	O-Ring	36	2412-96	5	Clamp-R
30:2	237-151	1	O-Ring	37	104-8300	8	Nut-Flange, NI
31	75-6130	1	Hose ASM	38	32128-33	1	Nut-HF

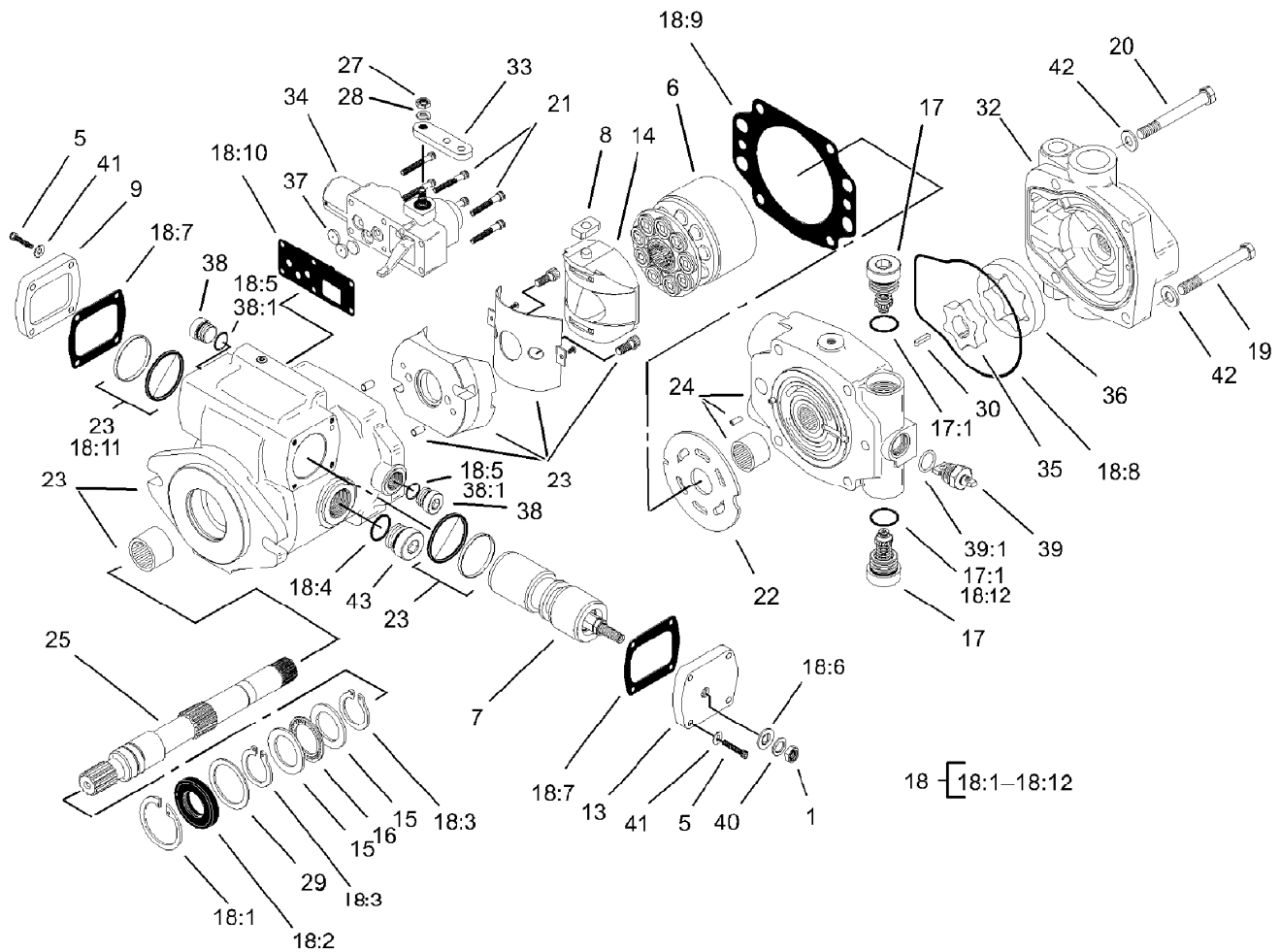


Gear Pump Assembly No. 93-6492

Ref.	Part Number	Qty.	Description
1	74-9370	8	Capscrew
2	99-8594	1	*obs* Seal Kit
2:1	95-4367	1	Gasket-Backup
2:2	95-4369	1	Seal-Pressure
2:3	49-2640	1	Seal-Shaft
2:4	60-5890	1	Washer
2:6	94-8160	4	Washer
2:7	94-3011	1	Plug
2:8	92-9256	1	Washer-Backup
2:9		1	Seal-Dust ●
2:10	60-5720	2	O-Ring
2:11		1	Seal-Dust ●
2:12	92-9255	1	O-Ring
2:13	92-9254	1	O-Ring
2:14	56-6710	2	O-Ring
2:16	95-4368	1	Plate-Wear
3	95-4362	1	Plate-Front

Ref.	Part Number	Qty.	Description
4		1	Gear-Drive ●
5		1	Body ●
6		1	Gear-Idler ●
7	60-5860	1	Plug
7:1	60-5720	1	O-Ring
8	93-6377	1	Backplate ASM
9	93-6420	1	Spool
10	88-3770	1	Spring
11	60-5730	1	Disc
12	60-5710	1	Plug
12:1	60-5720	1	O-Ring
13	74-9000	1	Relief Valve ASM
13:1	92-9255	1	O-Ring
13:2	92-9256	1	Washer-Backup
13:3	92-9254	1	O-Ring
99	107-4328	1	Front Plate Kit

● Not serviced separately

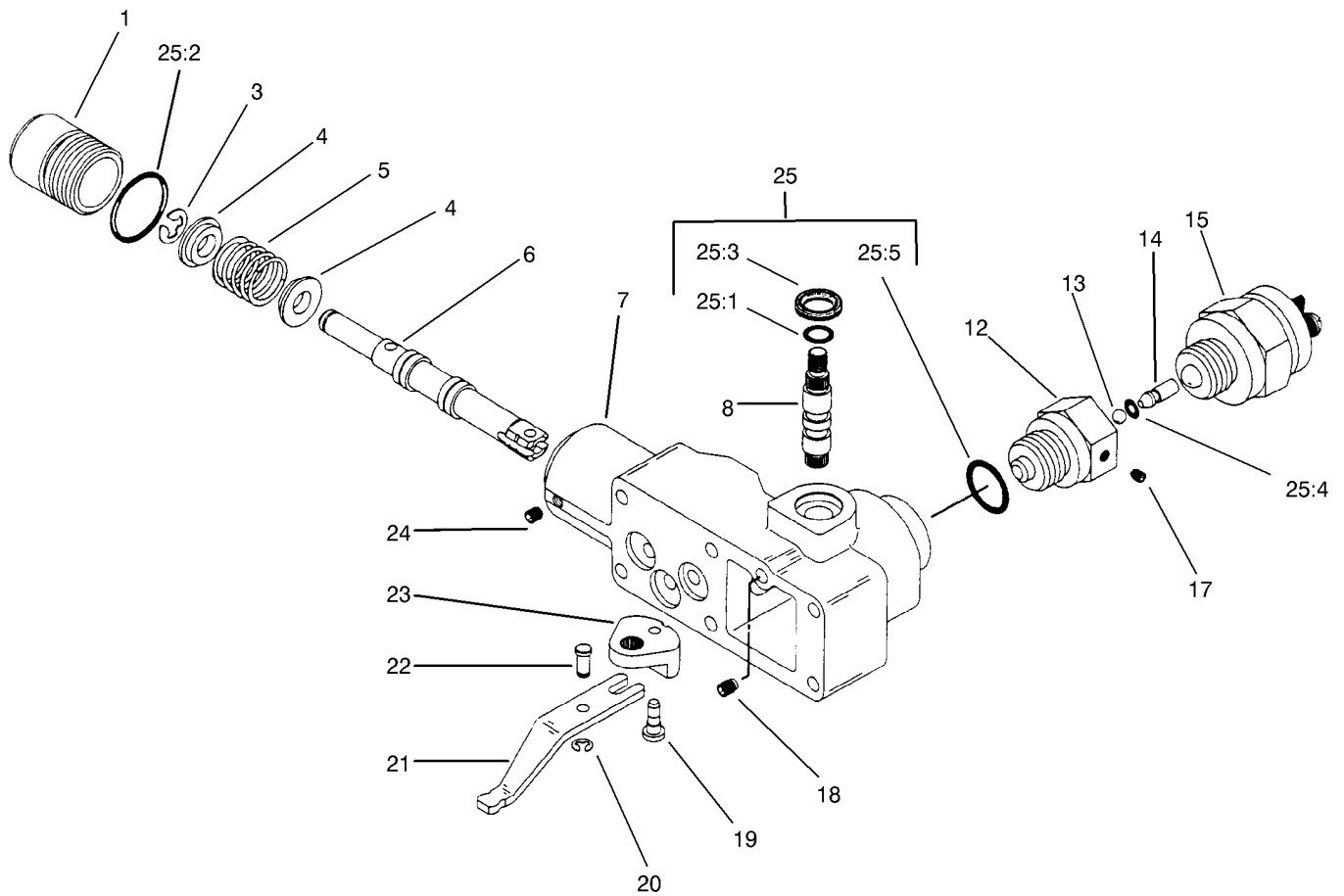


Piston Pump Assembly No. 93-6491

Ref.	Part Number	Qty.	Description	Ref.	Part Number	Qty.	Description
1	3220-3	1	Nut-HJ	19	323-15	2	Screw-HH
5	93-6337	8	Screw	20	323-16	2	Screw-HH
6	93-6322	1	Rotating Kit	21	93-6324	6	Screw
7	105-2856	1	Servo Piston ASM	22	93-6370	1	Plate-Valve
8	94-3032	1	Follower-Piston	23		1	Housing ■
9	94-3033	1	Plate-Cover	24	105-2904	1	Backplate
13	105-9853	1	Plate-Cover	25	93-6344	1	Driveshaft
14	94-3026	1	Camplate ASM	27	3217-5	1	Nut-Hex
15	76-6950	2	Race-Thrust	28	3253-3	1	Washer-Lock
16	76-6960	1	Bearing-Thrust	29	60-6240	1	Washer
17	105-2858	2	Valve-Relief	30	93-6375	1	Key
17:1		1	Seal-Dust ■	32	95-2110	1	Adaptor ASM
18	107-1561	1	Seal Kit	33	105-2862	1	Arm-Control
18:1	60-6260	1	Ring	34	93-6306	1	Control ASM
18:2	105-3331	1	Seal-Shaft	35	93-6365	1	Geroter-Inner
18:3	76-7000	2	Ring-Retaining	36	93-6364	1	Geroter-Outer
18:4		2	Seal-Dust ■	37	94-3041	3	Orifice-Control (.028 Dia)
18:5	93-6314	2	O-Ring ●	38	74-9280	2	Plug ASM
18:6	94-3027	1	Washer-Seal	38:1		1	Seal-Dust ■
18:7	93-6339	2	Gasket	39	105-2913	1	Valve-Bypass
18:8	105-2905	1	O-Ring ●	39:1		1	Seal-Dust ■
18:9	105-2900	1	Gasket-Housing	40	94-3030	1	Washer
18:10	105-2901	1	Gasket-Housing, Control	41	93-6336	8	Washer
18:11		2	Seal ASM ■	42	3256-24	4	Washer-Flat
18:12	74-9380	1	O-Ring ●	43		1	Plug ASM ■

● Not illustrated

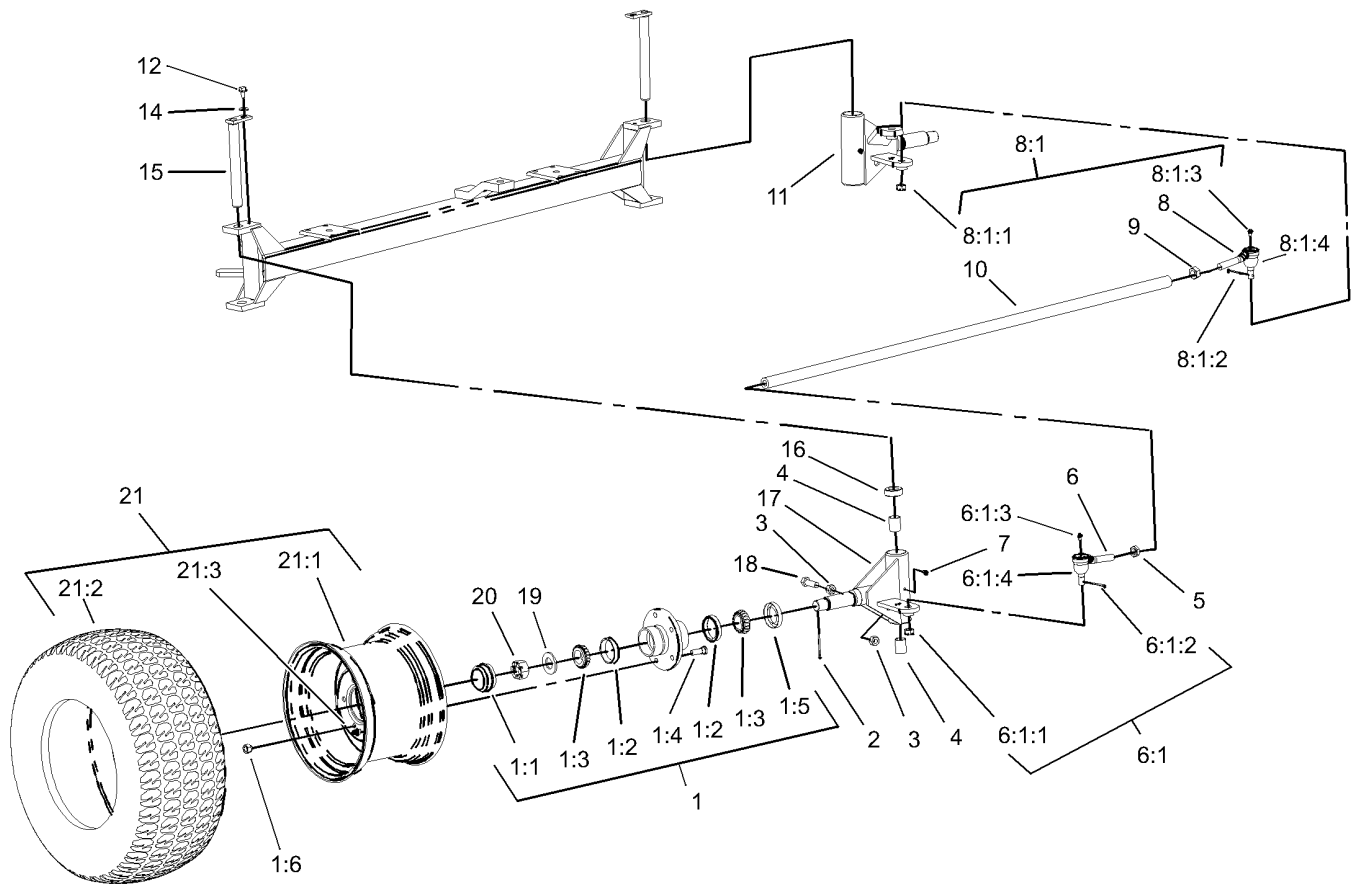
■ Not serviced separately



Control Assembly No. 93-6306

Ref.	Part Number	Qty.	Description	Ref.	Part Number	Qty.	Description
1		1	Plug ●	19		1	Pin ●
3		1	Ring-Retaining ●	20		1	Ring-Retaining ●
4		2	Retainer-Spring ●	21		1	Link ●
5		1	Spring ●	22		1	Pin-Dowel ●
6		1	Valve-Spool ●	23		1	Crank-Bell ●
7		1	Housing-Control ●	24		1	Screw-Set ●
8		1	Shaft-Input ●	25	94-3044	1	Seal Kit
12		1	Adaptor ●	25:1		1	Seal-Dust ●
13		1	Ball ●	25:2		1	Seal-Dust ●
14		1	Pin ●	25:3		1	Seal-Wiper ●
15	94-3043	1	Switch-Safety, Neutral	25:4		1	Seal-Dust ●
17		1	Screw-Set ●	25:5		1	Seal-Dust ●
18		1	Screw-Set ●				

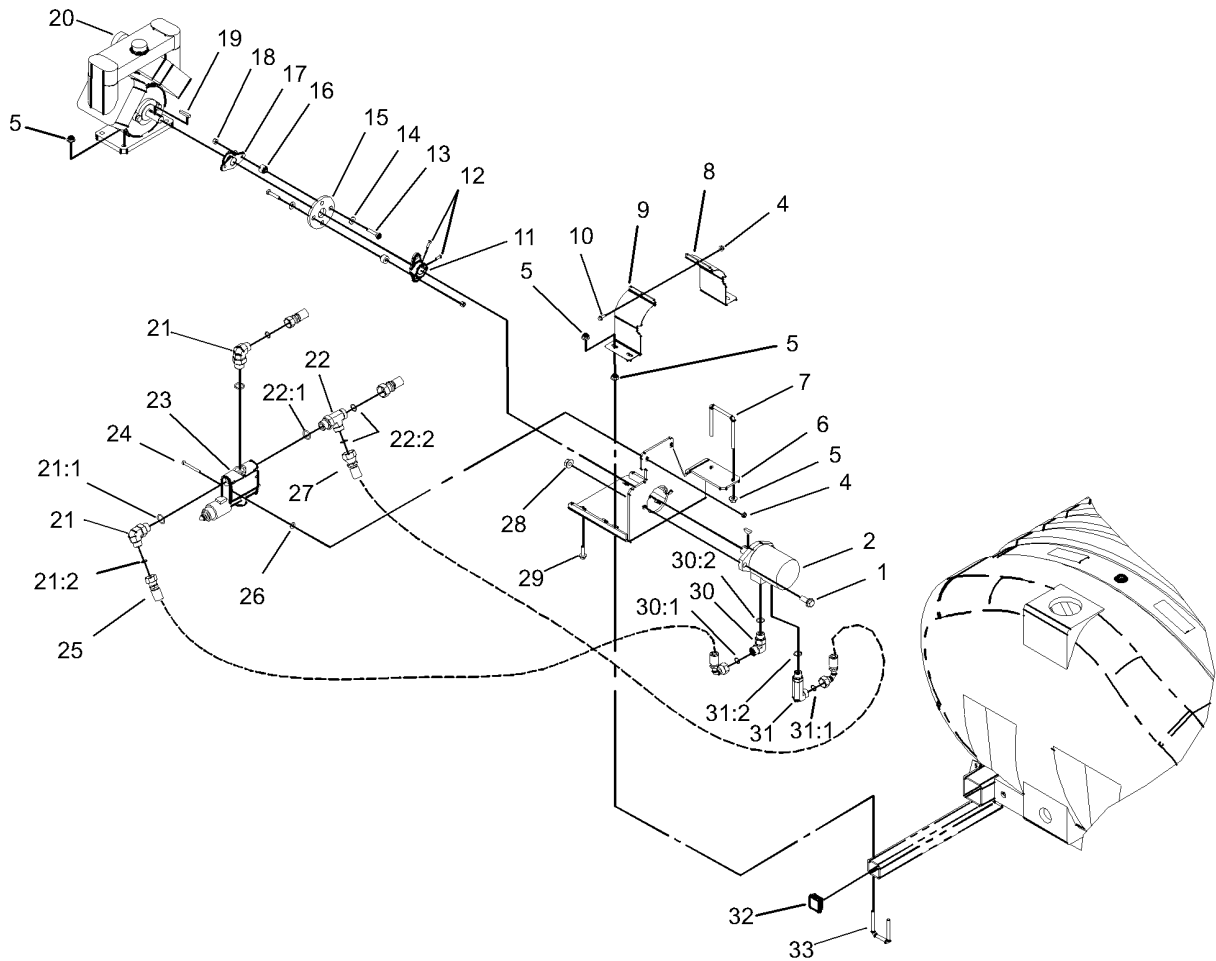
● Not serviced separately



Front Wheel Assembly

Ref.	Part Number	Qty.	Description	Ref.	Part Number	Qty.	Description
1	94-7148	2	Hub ASM	8:1:1	32136-3	1	Nut-SHH
1:1	94-7282	1	Cap-Dust	8:1:2	3272-12	1	Pin-Cotter
1:2	254-61	2	Cup-Bearing, Roller	8:1:3	302-5	1	Fitting-Grease
1:3	94-7283	2	Bearing-Cone	8:1:4	107-1587	1	Seal
1:4	95-9383	5	Stud	9	3218-21	1	Nut-Jam
1:5	94-7285	2	Seal	10	93-6588	1	Rod-Steering
1:6	242-35	5	Nut-Wheel	11	93-6577-03	1	LH Spindle ASM
2	3272-15	2	Pin-Cotter	12	32144-14	2	Screw-HWHTF
3	3217-9	4	Nut-HH	14	3256-3	2	Washer-Flat
4	93-6586	4	Bushing	15	93-6584	2	King Pin ASM
5	3220-11	1	Nut-Jam	16	93-6587	2	Bearing
6	87-1480	1	RH Tie Rod End ASM	17	93-6582-03	1	RH Spindle ASM
6:1	87-5340	1	Tie Rod Seal Kit	18	325-7	2	Screw-HH
6:1:1	32136-3	1	Nut-SHH	19	3256-62	2	Washer-Flat
6:1:2	3272-12	1	Pin-Cotter	20	32136-11	2	Nut-Hex, Slot
6:1:3	302-5	1	Fitting-Grease	21		2	Tire And Wheel ASM ●
6:1:4	107-1587	1	Seal	21:1	41169	1	Wheel
7	302-5	2	Fitting-Grease	21:2	42330	1	Tire
8	87-1470	1	LH Tie Rod End ASM	21:3	232-27	1	Stem-Valve
8:1	87-5340	1	Tie Rod Seal Kit				

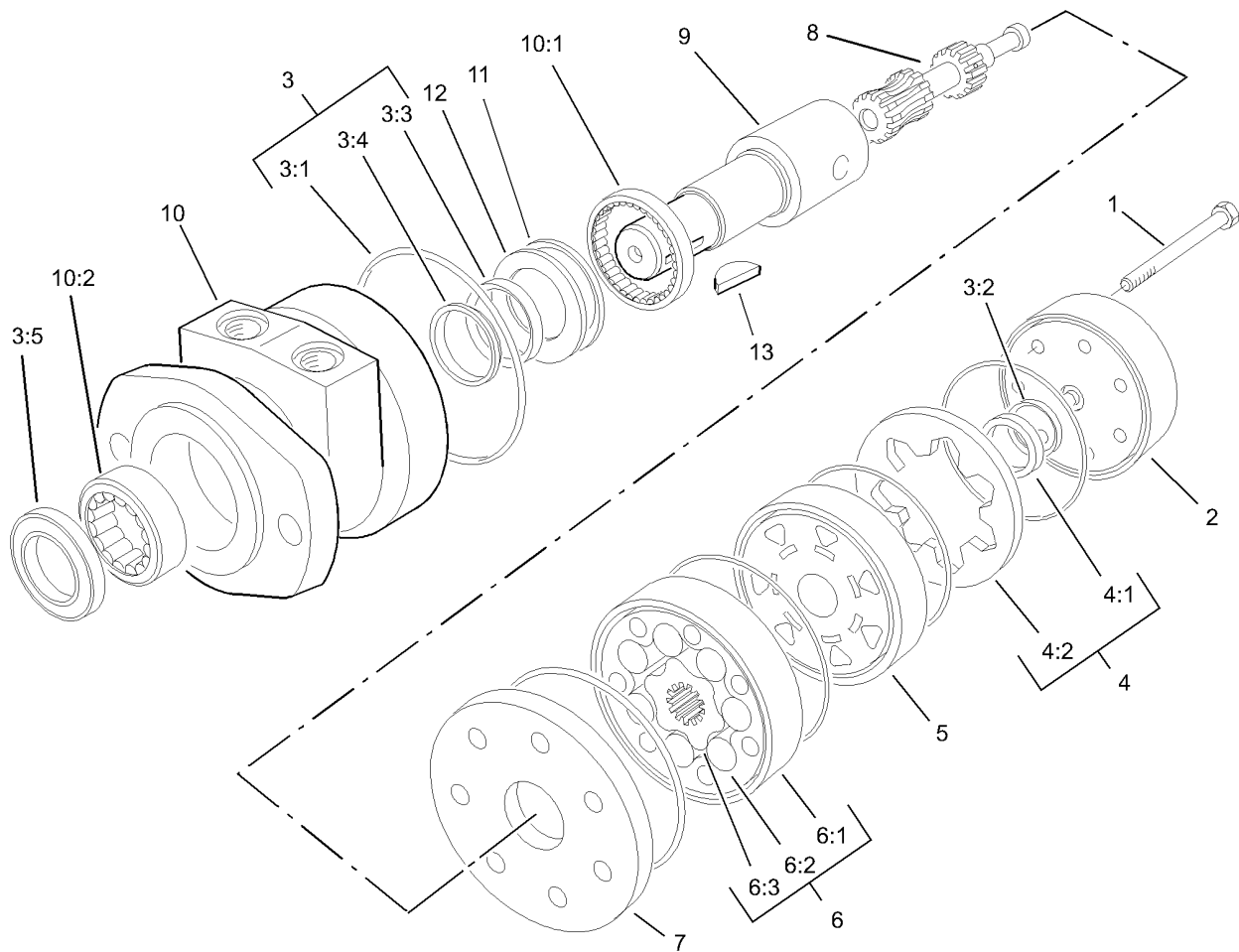
● Not serviced separately



Pump Drive Assembly

Ref.	Part Number	Qty.	Description
1	3234-32	2	Screw-HHF
2	104-9099	1	Pump-Spray, Motor
4	32128-33	3	Nut-HF
5	32128-43	14	Nut-Flange
6	106-1219-03	1	Pump Bracket ASM
7	100-7067	1	U-Bolt (4 Inch)
8	104-9080-03	1	Plate-Guard, Front
9	104-9081-03	1	Plate-Guard, Rear
10	3234-4	1	Screw-HHF
11	27-1960	1	Hub-Engine
12	3241-5	4	Screw-Set
13	322-8	4	Screw-HH
14	3256-3	4	Washer-Flat
15	100-8471	1	Coupling-Rubber
16	27-6590	4	Spacer-Coupling, Rubber
17	93-2589	1	Hub-Pump
18	3296-29	4	Nut-Lock, NI
19	67-7490	1	Key-Square
20	106-5121	1	Pump ASM
21	340-139	2	Fitting-HYD, 90 DEG

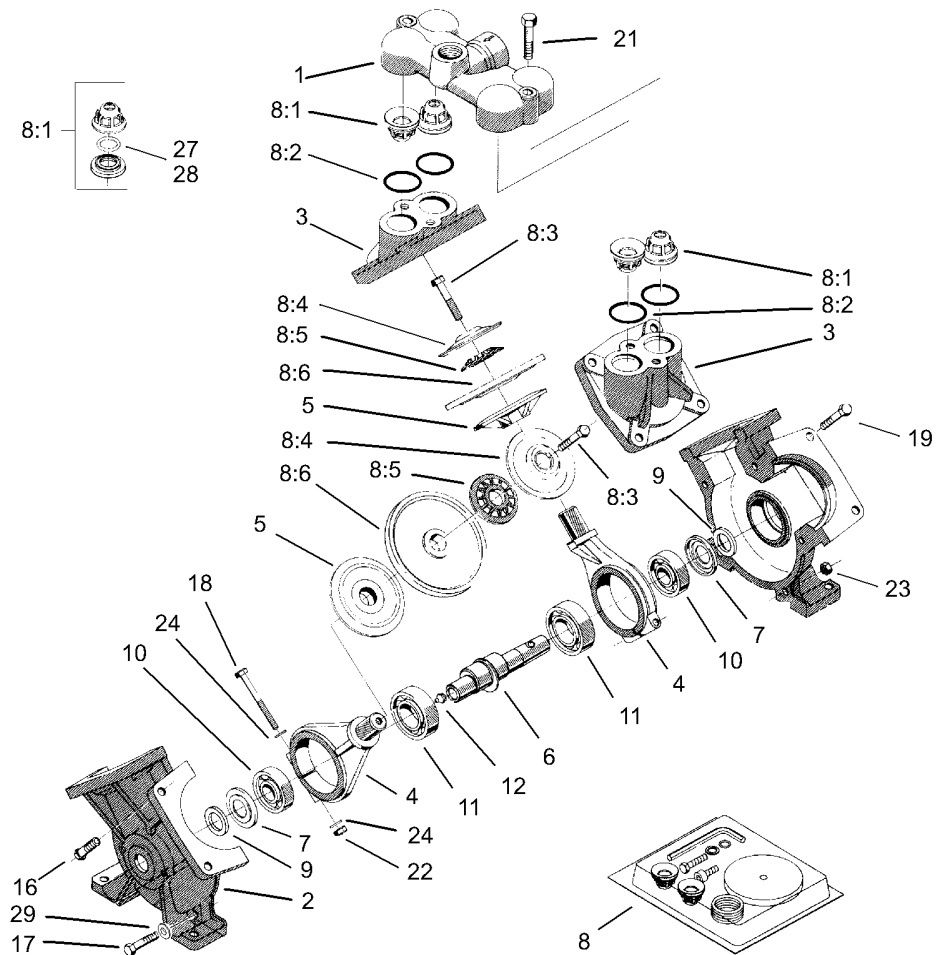
Ref.	Part Number	Qty.	Description
21:1	237-81	1	O-Ring
21:2	237-65	1	O-Ring
22	340-148	1	Fitting-Tee
22:1	237-81	1	O-Ring
22:2	237-58	2	O-Ring
23	104-9110	1	Valve-Pwm
24	321-15	2	Screw-HH
25	104-9181	1	Hose ASM
26	3256-2	2	Washer-Flat
27	104-9179	1	Hose ASM
28	32128-49	2	Nut-HHF
29	3234-24	4	Screw-HHF
30	340-17	1	Fitting-HYD, 90 DEG
30:1	237-65	1	O-Ring
30:2	237-80	1	O-Ring
31	104-9074	1	Fitting-Elbow, 90 DEG
31:1	237-65	1	O-Ring
31:2	237-80	1	O-Ring
32	95-9495	1	Cap
33	104-9082	2	U-Bolt



Spray Pump Assembly No. 104-9099

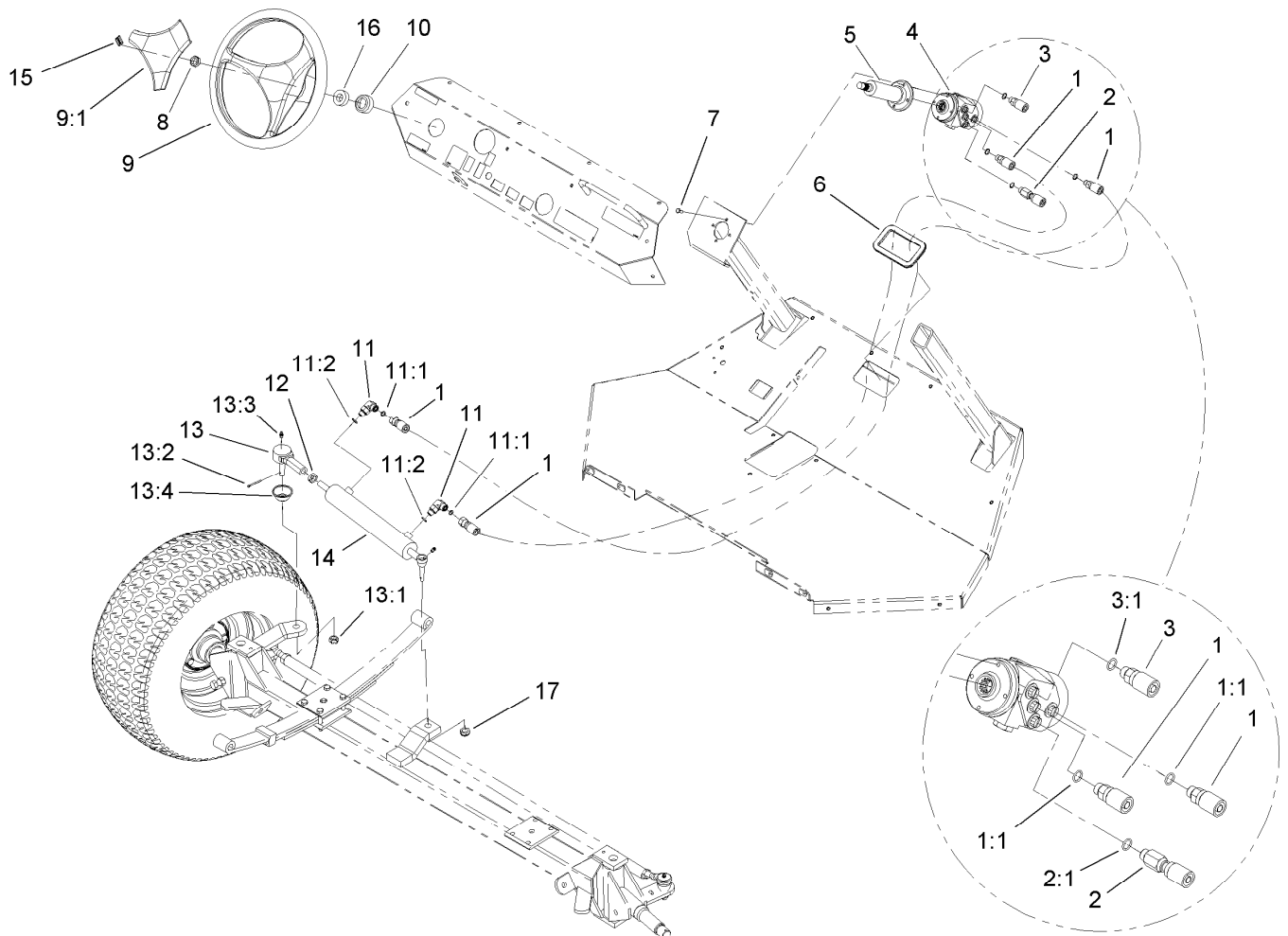
Ref.	Part Number	Qty.	Description	Ref.	Part Number	Qty.	Description
1	322-33	5	Screw-HH	6:1		1	Stator ●
2	106-1981	1	Cover-End	6:2		7	Vane ●
3	106-1989	1	Seal Kit	6:3		1	Rotor ●
3:1		6	Seal-Ring ●	7	106-1985	1	Plate-Wear
3:2		1	Seal-Commutator ●	8	107-1564	1	Link-Drive
3:3		1	Seal-Inner ●	9	107-1567	1	Shaft-Coupling
3:4		1	Washer-Backup ●	10	107-1566	1	Housing ASM
3:5		1	Seal-Dirt And Water ●	10:1		1	Bearing ●
4	106-1982	1	Commutator ASM	10:2		1	Bearing ●
4:1		1	Commutator ●	11		1	Bearing-Thrust ●
4:2		1	Ring-Commutator ●	12		1	Washer-Thrust ●
5	106-1983	1	Manifold	13	106-1990	1	Key-Woodruff
6	107-1565	1	Rotor Set				

● Not serviced separately



Pump Assembly No. 106-5121

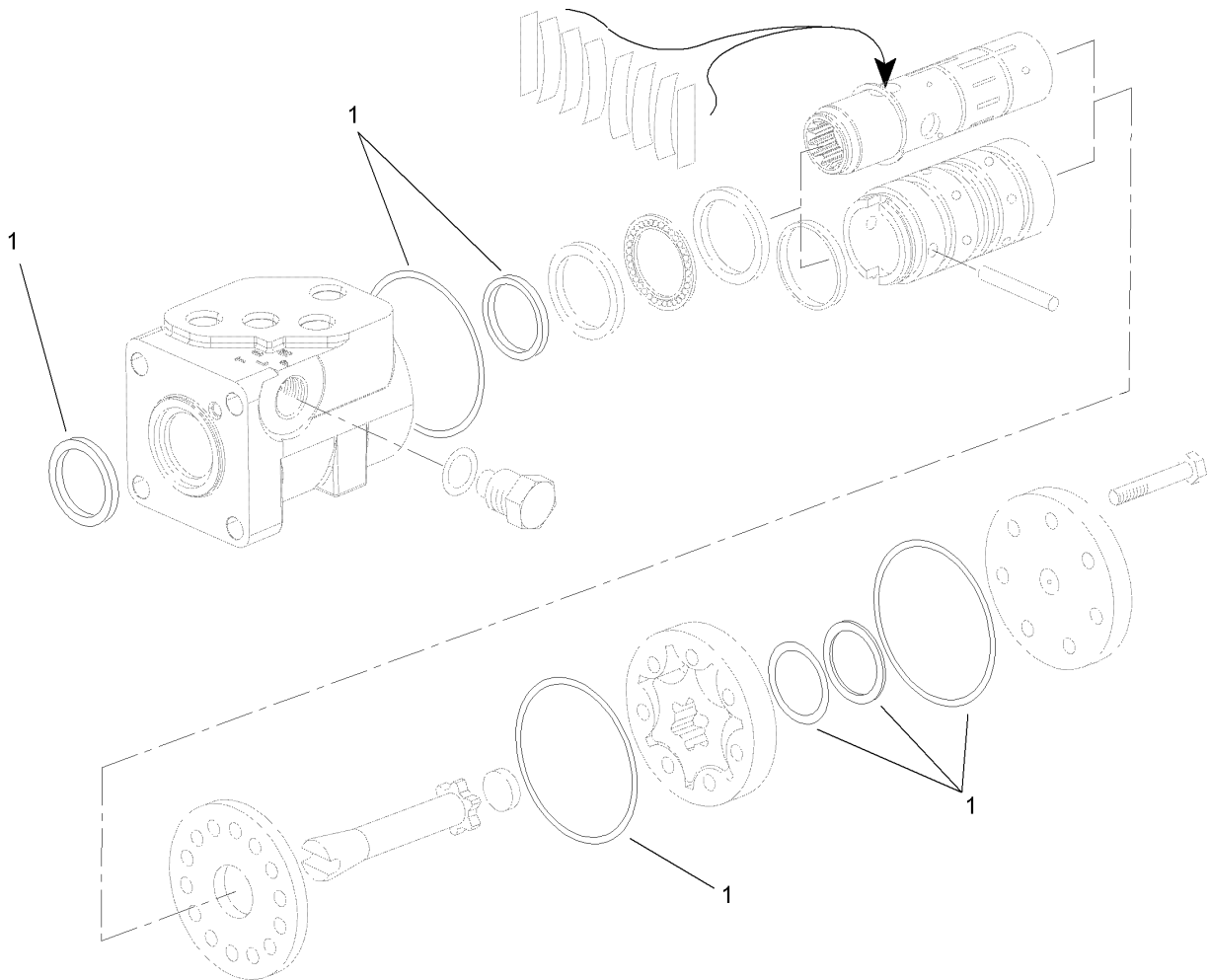
<i>Ref.</i>	<i>Part Number</i>	<i>Qty.</i>	<i>Description</i>	<i>Ref.</i>	<i>Part Number</i>	<i>Qty.</i>	<i>Description</i>
1	106-5139	1	Cover-Valve	10	100-8327	2	Bearing-Ball
2	106-5140	2	Housing-Pump	11	100-8329	2	Bearing-Ball
3	106-5141	2	Cover-Diaphragm	12	99-0873	1	Fitting-Grease
4	106-5142	2	Rod-Connecting	16	106-5143	3	Bolt
5	100-8314	2	Disc-Back, Diaphragm	17	106-5144	2	Bolt
6	104-9052	1	Crankshaft-Keyed	18	106-5145	2	Bolt
7	100-8325	2	Plate-Dust	19	106-5146	8	Bolt
8	106-5150	1	Repair Kit	21	106-5148	2	Bolt
8:1	100-8307	4	Valve	22	100-8326	2	Nut-Hex
8:2	100-6652	4	Gasket	23	106-5149	5	Nut
8:3	106-5147	2	Bolt	24	100-8316	4	Washer-Lock
8:4	100-8311	2	Washer	27	100-8336	4	O-Ring
8:5	100-8312	2	Washer-Nylon	28	106-5138	4	O-Ring
8:6	100-8313	2	Diaphragm	29	106-5137	2	Washer
9	99-0868	2	Felt-Seal				



Steering Assembly

<i>Ref.</i>	<i>Part Number</i>	<i>Qty.</i>	<i>Description</i>	<i>Ref.</i>	<i>Part Number</i>	<i>Qty.</i>	<i>Description</i>
1	104-9188	2	Hose ASM	10	93-5439	1	Seal-Steering
1:1	237-42	1	O-Ring	11	340-77	2	Fitting-HYD, 90 DEG
2	104-9185	1	Hose ASM	11:1	237-22	1	O-Ring
2:1	237-42	1	O-Ring	11:2	237-42	1	O-Ring
2:2	237-79	1	O-Ring ●	12	3220-11	1	Nut-Jam
3	104-9186	1	Hose ASM	13	93-6509	1	Tie Rod End ASM
3:1	237-42	1	O-Ring	13:1	32136-3	1	Nut-SHH
4	114-5076	1	Steering Control Valve ASM	13:2	3272-12	1	Pin-Cotter
5	94-8792	1	Column-Steering	13:3	302-5	1	Fitting-Grease
6	95-2193	1	Trim	13:4	106-4901	1	Seal-End, Rod
7	48-7620	4	Screw-HH	14	93-6510	1	Cylinder ASM
8	92-3513	1	Nut	15	98-1459	1	Decal
9	98-1471	1	Wheel-Steering	16	21-9260	1	Cover-Dust
9:1	98-1468	1	Cover-Wheel, Steering	17	3296-57	1	Nut-Lock, NI

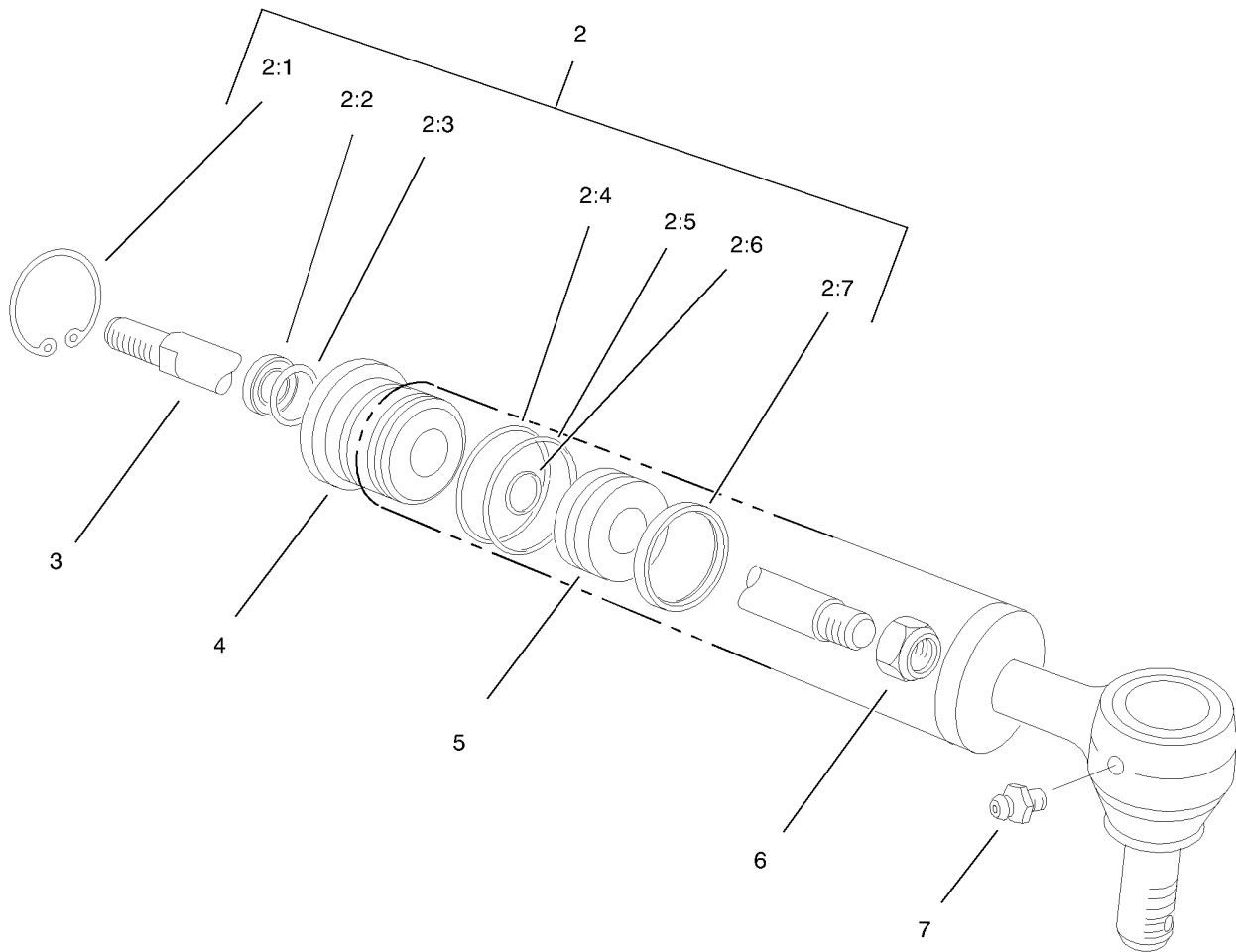
● Not illustrated



Steering Control Assembly No. 114-5076

<i>Ref.</i>	<i>Part Number</i>	<i>Qty.</i>	<i>Description</i>
1	108-1519	1	Seal Kit

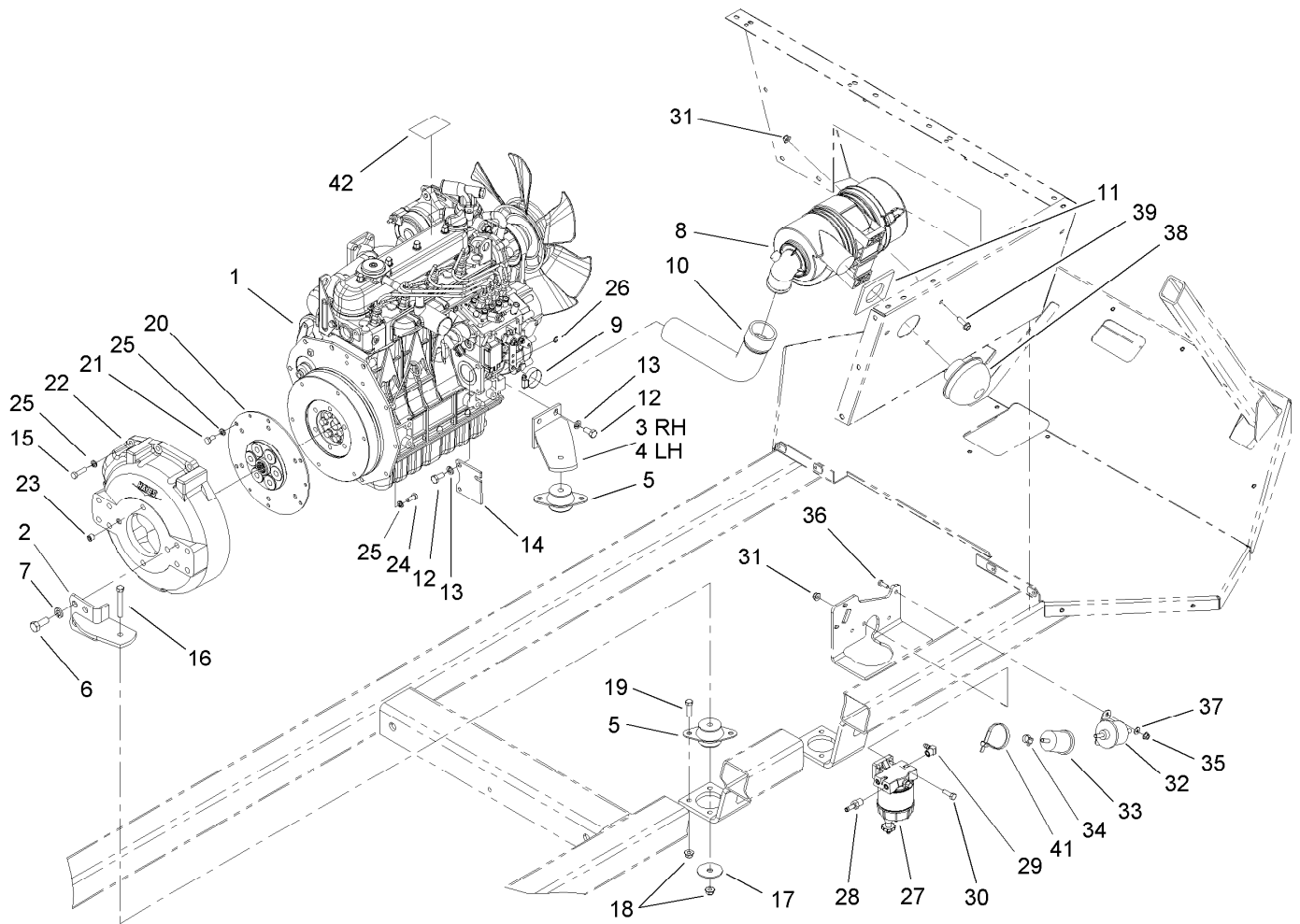
● Not serviced separately



Hydraulic Cylinder Assembly No. 93-6510

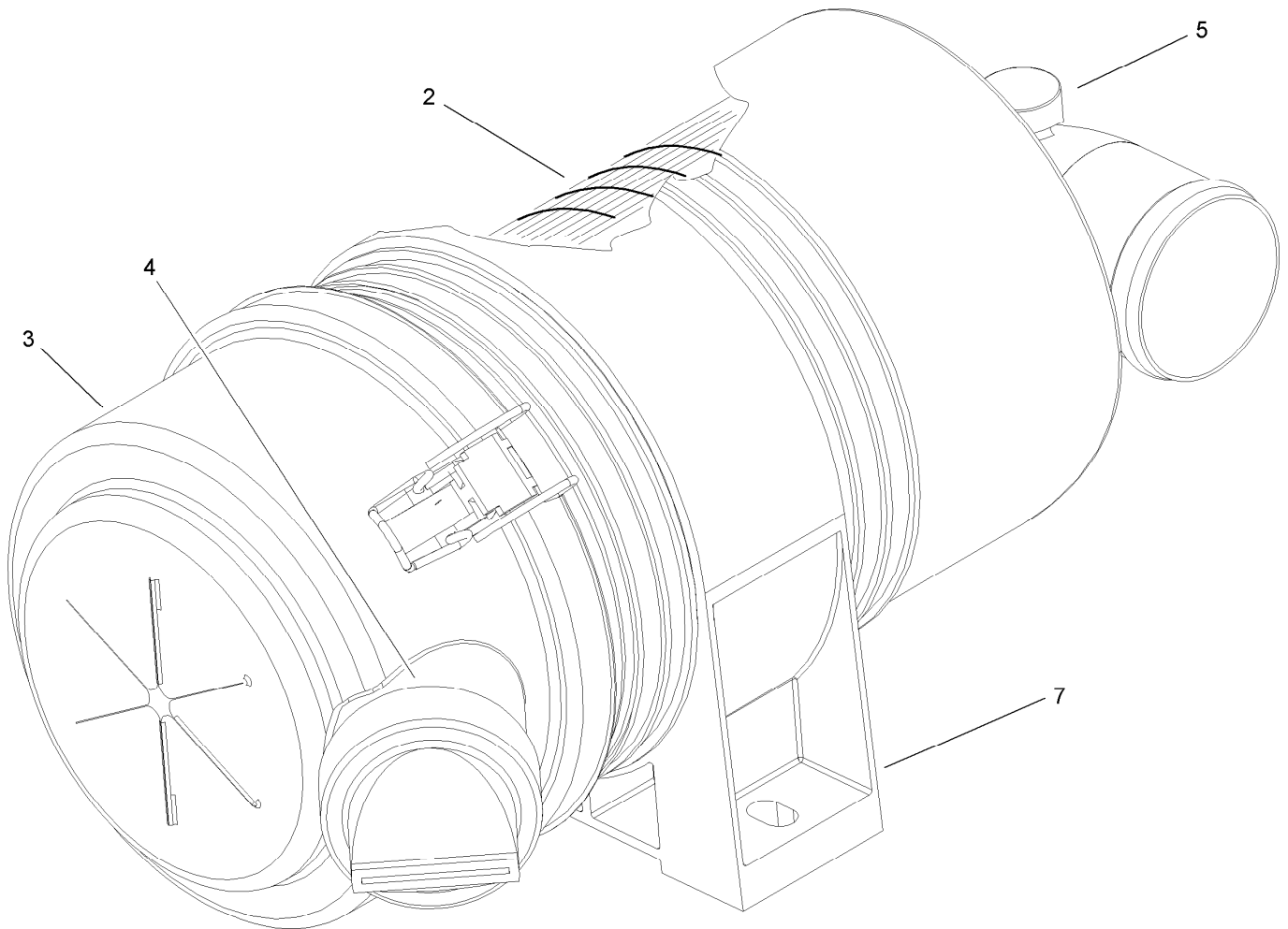
<i>Ref.</i>	<i>Part Number</i>	<i>Qty.</i>	<i>Description</i>
2	92-3992	1	Repair Kit
2:1		1	Ring-Retaining ●
2:2		1	Seal-Dust ●
2:3		1	Seal-Rod ●
2:4		1	Ring-Backup ●
2:5		1	Seal-Dust ●
2:6		1	Seal-Dust ●
2:7		1	Uniring ●
3		1	Shaft ●
4		1	Head ●
5		1	Piston ●
6		1	Nut ●
7	302-5	1	Fitting-Grease

● Not serviced separately



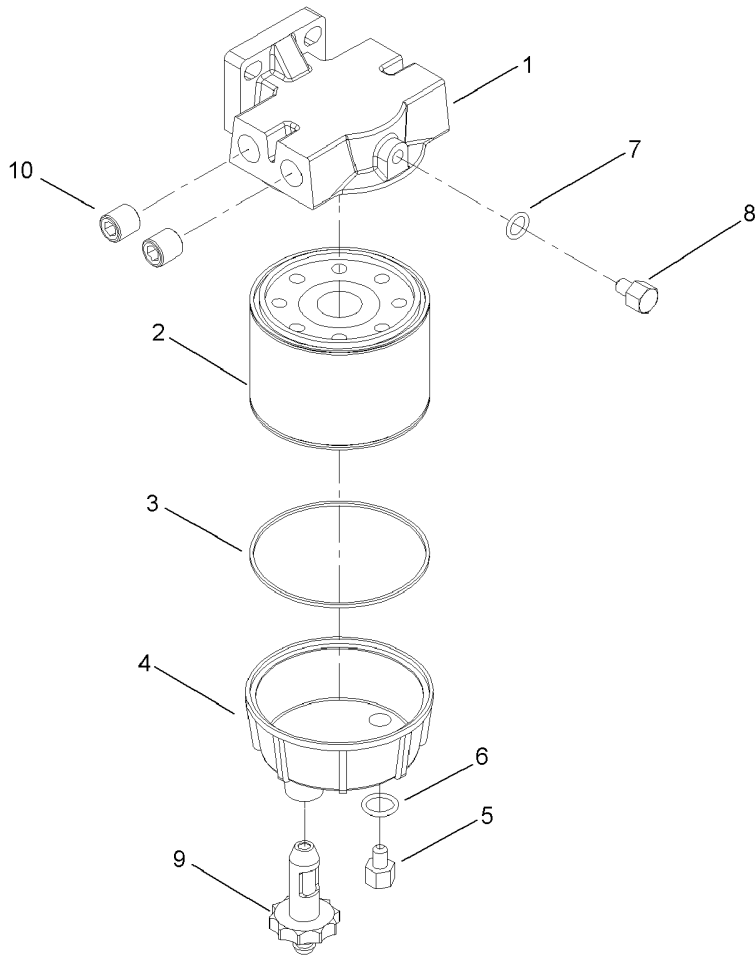
Engine and Air Cleaner Assembly

Ref.	Part Number	Qty.	Description	Ref.	Part Number	Qty.	Description
1	106-5250	1	Engine-Kubota, Diesel	22	105-0100	1	Flywheel Housing ASM
2	106-5251-03	2	Rear Bracket ASM	23	3248-3	2	Screw-Set, HSH
3	106-5254-03	1	RH Bracket ASM	24	33114-020	2	Screw-HH
4	106-5257-03	1	LH Bracket ASM	25	42-9850	14	Washer-Lock, Spring
5	53-9680	4	Mount-Engine	26	701197	1	E-Ring
6	325-5	8	Screw-HH	27	98-9305	1	Water / Fuel Filter ASM
7	3253-7	8	Washer-Lock	28	353-783	1	Fitting-Straight
8	106-5277	1	Air Cleaner ASM	29	353-781	1	Fitting-Elbow
9	2412-130	2	Clamp-Hose	30	322-5	2	Screw-HH
10	106-5241	1	Hose-Cleaner, Air	31	104-8300	4	Nut-Flange, NI
11	94-7280	1	Seal-Foam, Air Cleaner	32	107-0122	1	Pump-Fuel, Electric
12	63-7790	9	Screw-Cap	33	98-7612	1	Filter-Fuel
13	42-9600	10	Washer-Lock, Spring	34	2412-108	6	Clamp-Worm
14	106-5249-03	1	Plate-Throttle	35	32128-33	2	Nut-HF
15	33114-030	7	Screw-HH	36	321-4	2	Screw-HH
16	323-13	4	Screw-HH	37	3256-22	2	Washer-Flat
17	87-5100	4	Washer-Snubbing	38	27-7180	1	Cap ASM
18	104-8301	12	Nut-Flange, NI	39	3234-17	2	Screw-HHF
19	323-7	8	Screw-HH	41	3334-945	1	Tie-Cable
20	92-0285	1	Coupling ASM	42	33024-00	1	Nut-Lock, NI
21	33114-016	6	Screw-HH				



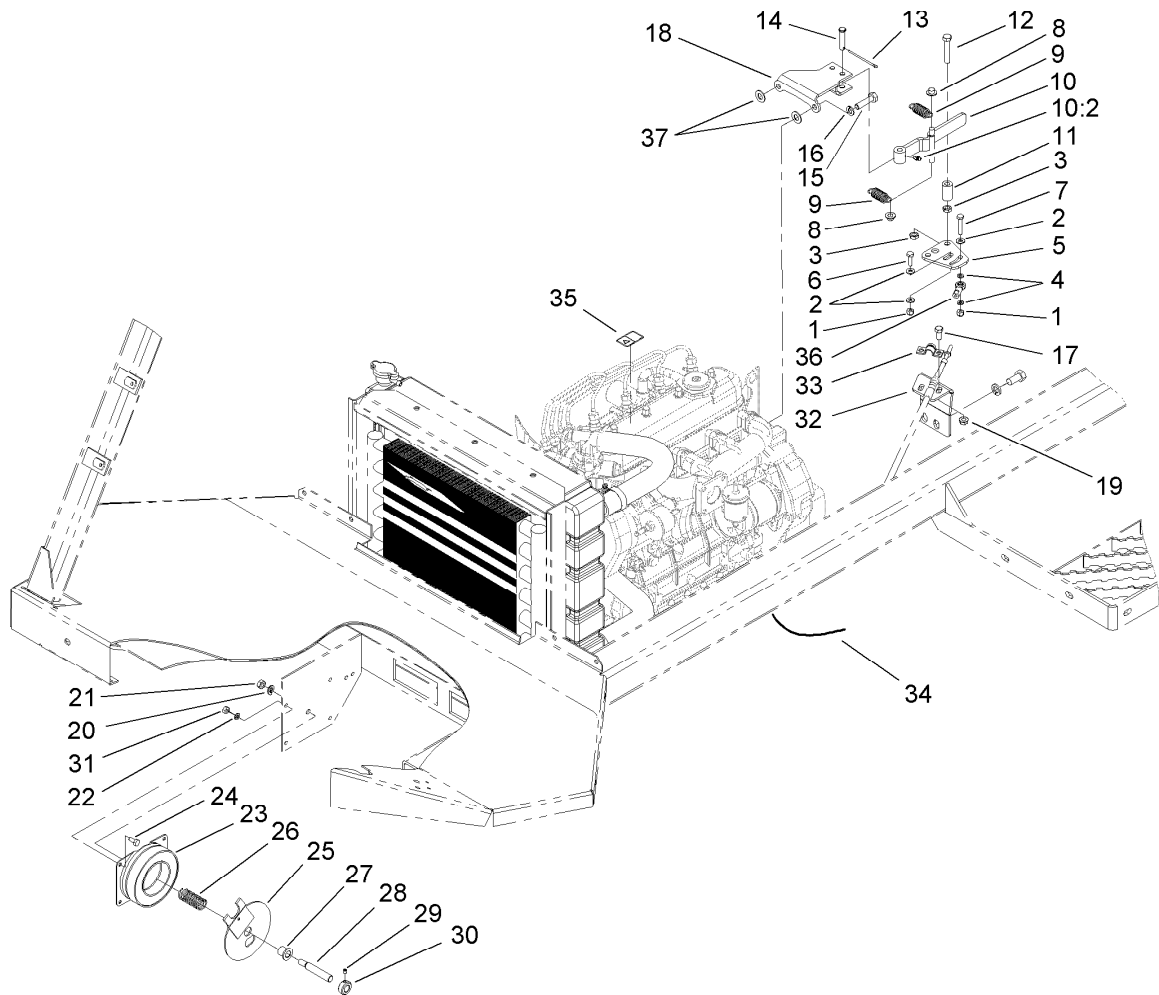
Air Cleaner Assembly No. 106-5277

<i>Ref.</i>	<i>Part Number</i>	<i>Qty.</i>	<i>Description</i>
2	108-3810	1	Filter-Air
3	98-9771	1	Cover ASM
4	87-9400	1	Valve-Vacuator
5	285-17	1	Plug-Pipe
7	98-4525	1	Bracket-Cleaner, Air



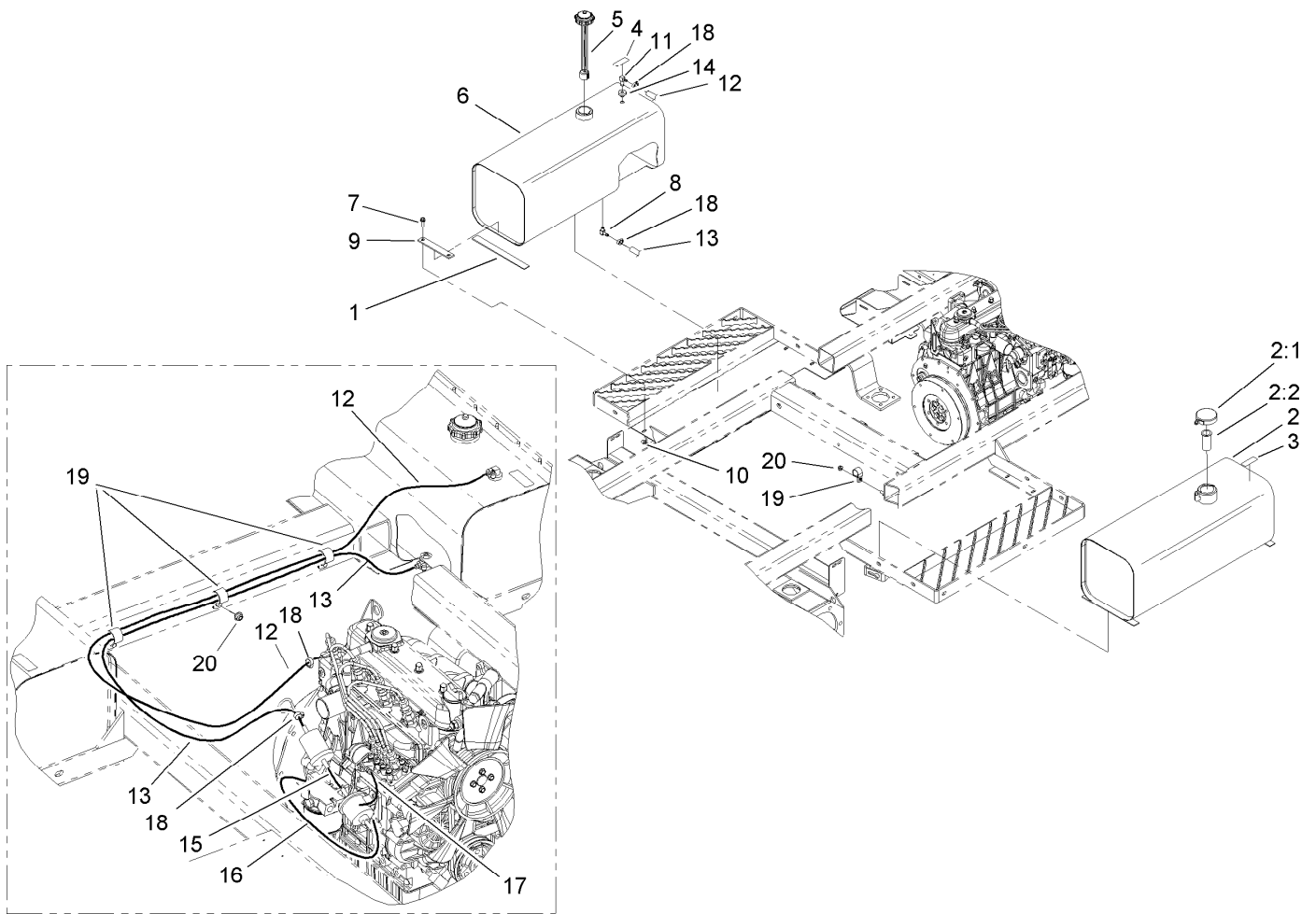
Water / Fuel Filter Assembly No. 98-9305

<i>Ref.</i>	<i>Part Number</i>	<i>Qty.</i>	<i>Description</i>
1	98-9772	1	Head-Filter
2	98-9764	1	Element
3	98-9774	1	O-Ring
4	98-9775	1	Base-Filter
5	98-9773	1	Plug-Base, Filter
6	237-42	1	O-Ring
7	237-78	1	O-Ring
8	98-9776	1	Plug-Head, Filter
9	98-9777	1	Drain Valve ASM
10	285-22	2	Plug-Pipe



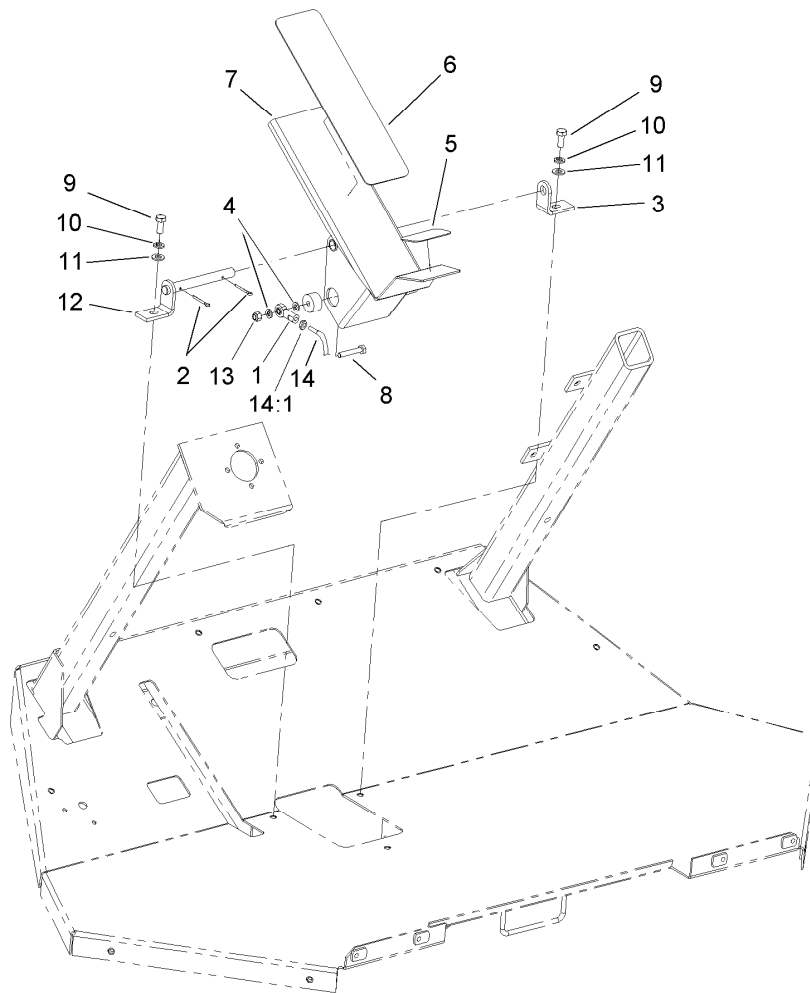
Drive Linkage Assembly

<i>Ref.</i>	<i>Part Number</i>	<i>Qty.</i>	<i>Description</i>	<i>Ref.</i>	<i>Part Number</i>	<i>Qty.</i>	<i>Description</i>
1	32146-17	2	Nut-Lock	19	32128-20	2	Nut-HF
2	3256-22	3	Washer-Flat	20	3253-5	1	Washer-Lock
3	3220-3	4	Nut-HJ	21	3217-7	1	Nut-Hex
4	33093-00	2	Washer-Flat	22	3253-3	4	Washer-Lock
5	106-5244	1	Plate-Neutral	23	42-1720	1	Field Core Coil ASM
6	321-5	1	Screw-HH	24	321-3	4	Screw-HH
7	321-9	1	Screw-HH	25	43-6110-03	1	Plate-Clutch
8	92-0465	4	Cap-Retainer, Spring	26	43-6200	1	Spring-Compression
9	107-1045	2	Spring-Extension	27	256-273	1	Bushing-Flange
10	92-0460	2	Arm ASM	28	69-9170	1	Shaft-Cruise
10:2	302-5	1	Fitting-Grease	29	3245-32	1	Screw-HSH
11	92-0455	2	Bearing	30	43-6320	1	Collar
12	3211-9	2	Screw-HH	31	3217-5	4	Nut-Hex
13	3272-53	1	Pin-Cotter	32	106-5242	1	Plate-Mount, Traction Cable
14	283-15	2	Pin-Clevis	33	93-2092	1	Clamp-Cable
15	87-3700	2	Screw-Cap, HH	34	99-3441	1	Harness-Wire, Fusible Link
16	42-9600	2	Washer-Lock, Spring	35	106-5517	1	Decal-Warning, Hot Surface
17	322-3	2	Screw-HH	36	2411-41	1	Rod End-Ball Joint
18	106-5198-03	1	Neutral Bracket ASM	37	3256-25	2	Washer-Flat



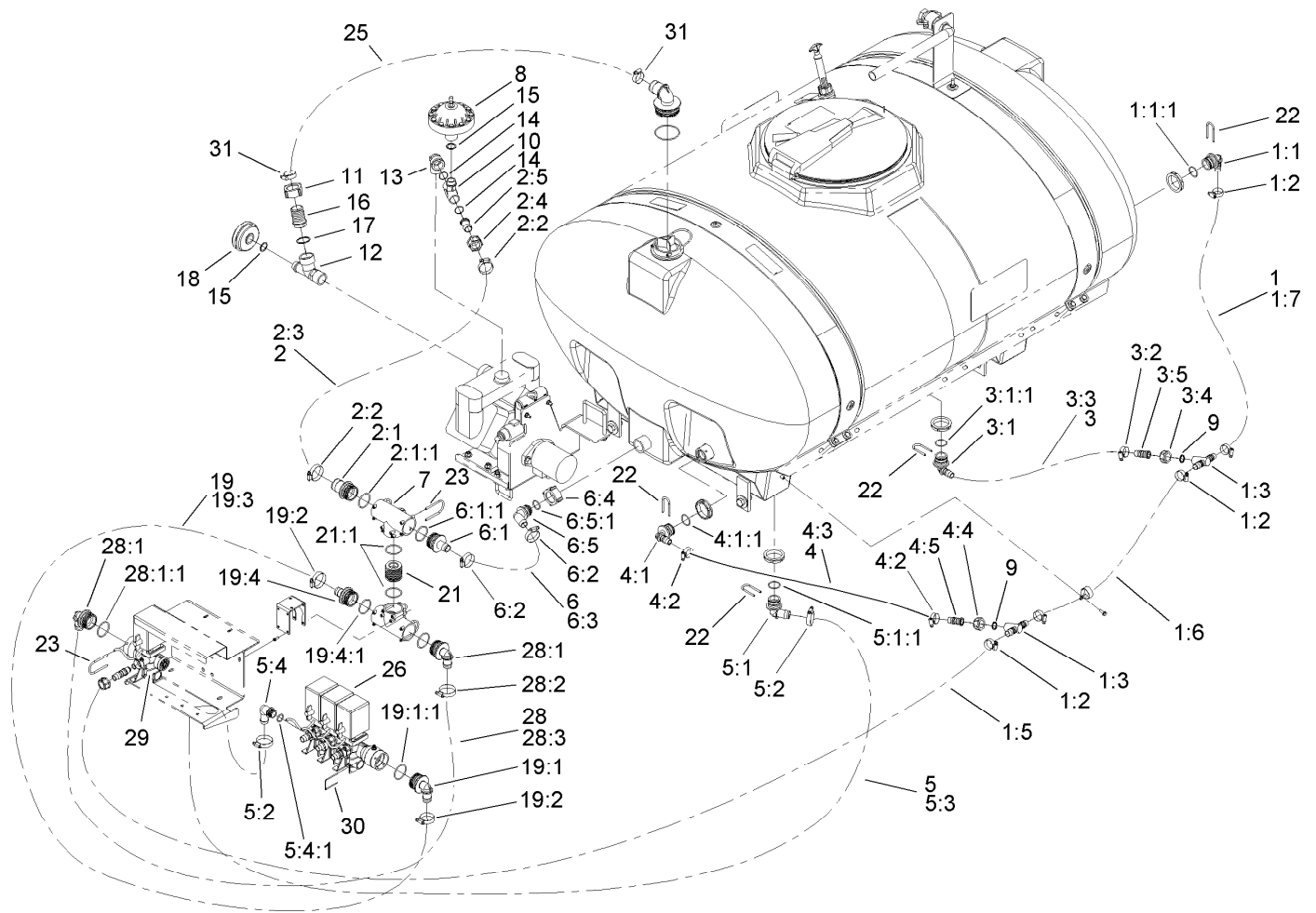
Fuel and Hydraulic Tank Assembly

<i>Ref.</i>	<i>Part Number</i>	<i>Qty.</i>	<i>Description</i>
1	41995	4	Strip-Armflex
2	104-9094	1	Tank-HYD
2:1	42193	1	Cap-Tank
2:2	41779	1	Strainer-Tank
3	93-6686	1	Decal-Oil, HYD
4	93-6680	1	Decal-Diesel
5	106-5295	1	Fuel Cap And Gauge ASM
6	106-5264	1	Tank-Fuel
7	3234-17	8	Screw-HHF
8	46-3710	1	Fitting-HYD, 90 DEG
9	94-7068-03	4	Strap-Hold Down
10	32128-44	8	Nut
11	104-5228	1	Fitting-Elbow, 90 DEG
12	104-4070	1	Hose-Fuel
13	92-7522	1	Hose-Fuel
14	46-6560	1	Bushing
15	94-1348	1	Hose-Fuel
16	93-3949	1	Hose-Fuel
17	63-7626	1	Hose-Fuel
18	2412-108	4	Clamp-Worm
19	2412-39	4	R-Clamp
20	104-8300	4	Nut-Flange, NI



Traction Pedal Assembly

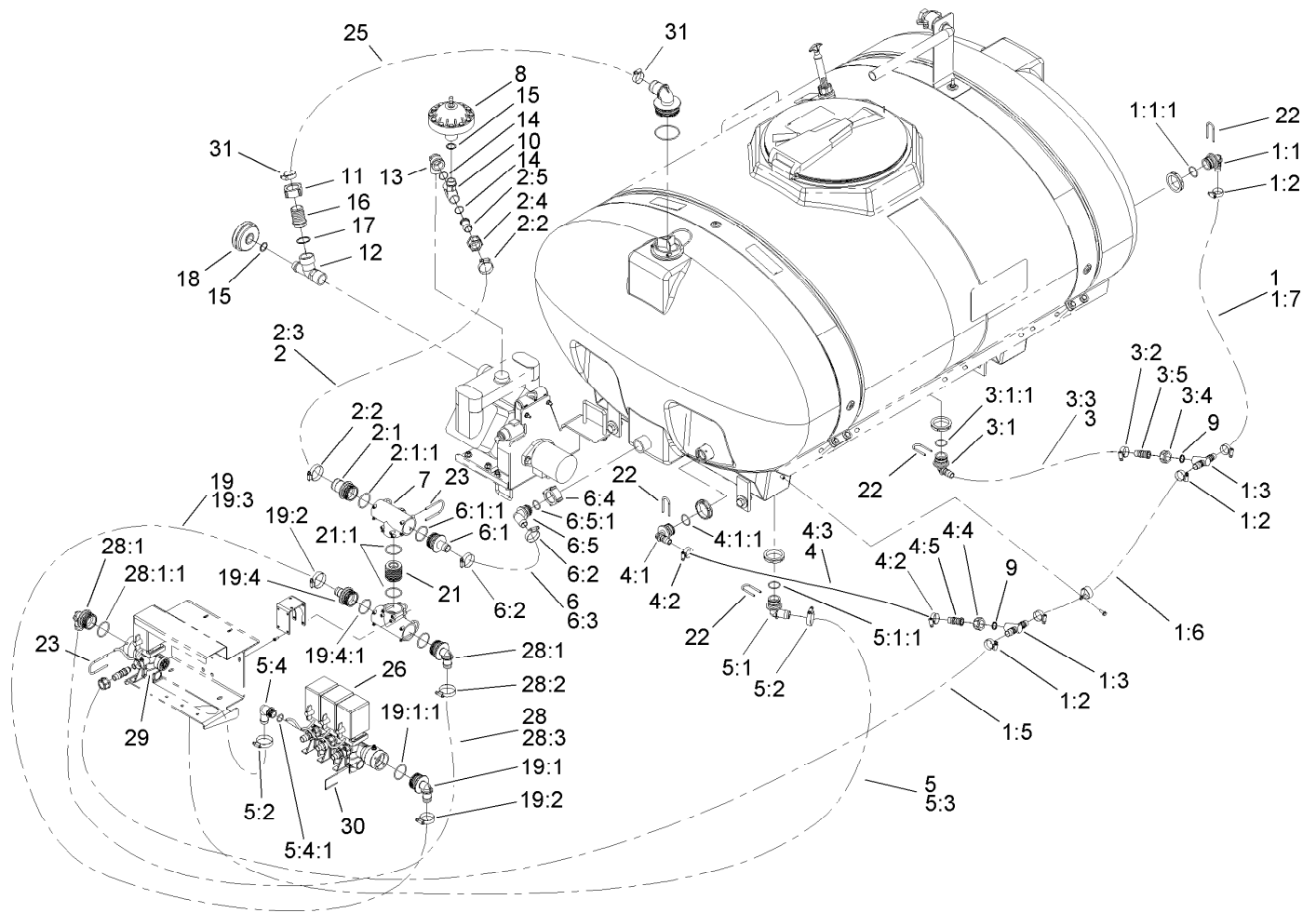
<i>Ref.</i>	<i>Part Number</i>	<i>Qty.</i>	<i>Description</i>
1	2411-41	1	Rod End-Ball Joint
2	3272-7	2	Pin-Cotter
3	92-0450-03	1	Bracket-Pin
4	33093-00	2	Washer-Flat
5	71-0450	1	Abrasive-Pedal, Rear
6	71-0440	1	Abrasive-Pedal
7	106-5247-03	1	Traction Pedal ASM
8	321-9	1	Screw-HH
9	322-3	2	Screw-HH
10	3253-4	2	Washer-Lock
11	3256-23	2	Washer-Flat
12	92-0448	1	Pivot Pin ASM
13	3296-42	1	Nut-Lock, NI
14	106-5233	1	Cable-Traction
14:1	3220-1	2	Nut-Jam



Sprayer Internal Component Assembly

Ref.	Part Number	Qty.	Description	Ref.	Part Number	Qty.	Description
1		1	Agitation Hose ASM ●	4:1:1	100-6712	1	O-Ring
1:1	106-4940	1	Hosebarb-90 DEG	4:2	2412-129	2	Clamp-Hose
1:1:1	100-6712	1	O-Ring	4:3	106-4974	1	Hose
1:2	2412-129	5	Clamp-Hose	4:4	99-0850	1	Nut
1:3	100-6984	2	Tee	4:5	100-6717	1	Hosebarb
1:5	106-4971	1	Hose	5		1	Bypass Hose ASM ●
1:6	106-4972	1	Hose	5:1	106-4945	1	Elbow
1:7	106-4973	1	Hose	5:1:1	100-6712	1	O-Ring
2		1	Supply Hose ASM ●	5:2	2412-3	2	Clamp-Hose
2:1	106-4932	1	Hosebarb-Straight	5:3	106-4976	1	Hose
2:1:1	100-8637	1	O-Ring	5:4	106-4948	1	Hose Barb ASM
2:2	2412-3	2	Clamp-Hose	5:4:1	100-6882	1	O-Ring
2:3	106-4975	1	Hose	6		1	Relief Hose ASM ●
2:4	99-0769	1	Nut	6:1	106-4932	1	Hosebarb-Straight
2:5	99-0781	1	Hosebarb	6:1:1	100-8637	1	O-Ring
3		1	Middle Agitation Hose ASM ●	6:2	2412-3	2	Clamp-Hose
3:1	106-4940	1	Hosebarb-90 DEG	6:3	106-4978	1	Hose
3:1:1	100-6712	1	O-Ring	6:4	100-8678	1	Nut
3:2	2412-129	2	Clamp-Hose	6:5	106-4949	1	Hosebarb
3:3	104-8704	1	Hose	6:5:1	100-6646	1	O-Ring
3:4	99-0850	1	Nut	7	100-6704	2	Tee
3:5	100-6717	1	Hosebarb	8	100-6662	1	Pressure Damper ASM
4		1	Back Agitation Hose ASM ●	9	100-6718	2	O-Ring
4:1	106-4940	1	Hosebarb-90 DEG	10	100-8699	1	Tee
				11	100-8678	1	Nut

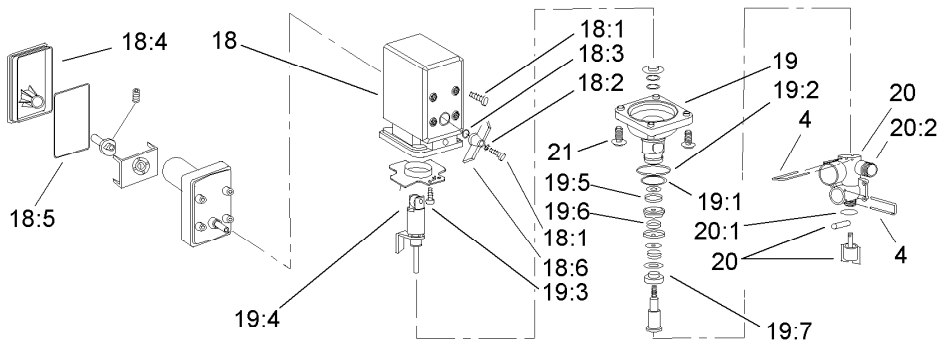
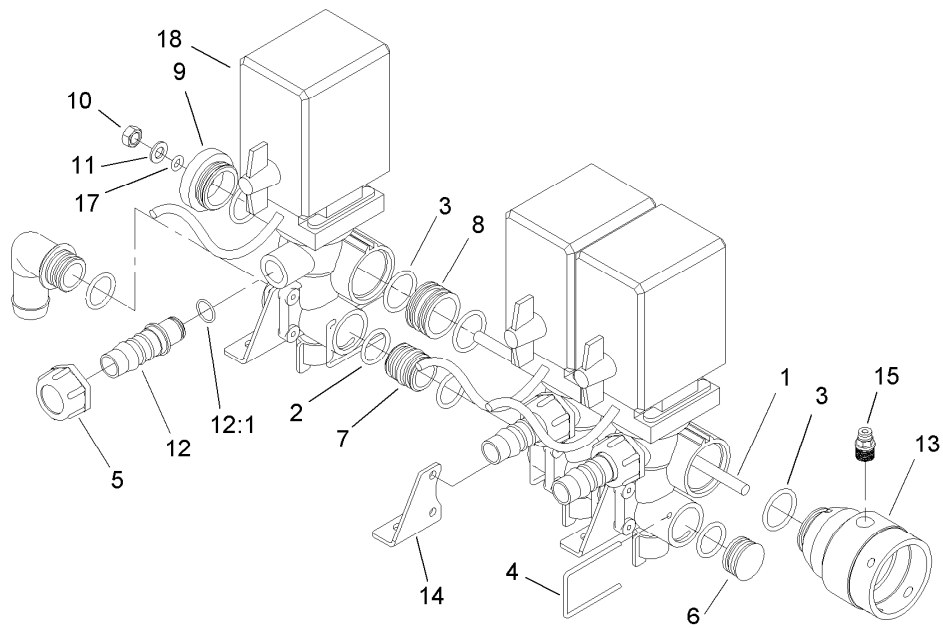
● Not serviced separately



Sprayer Internal Component Assembly (continued)

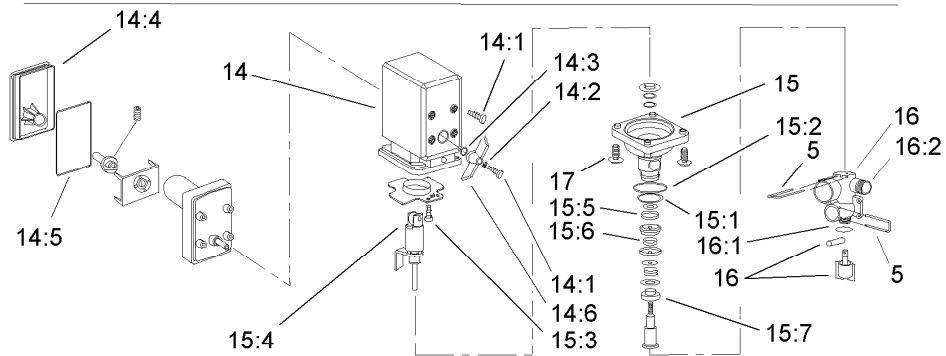
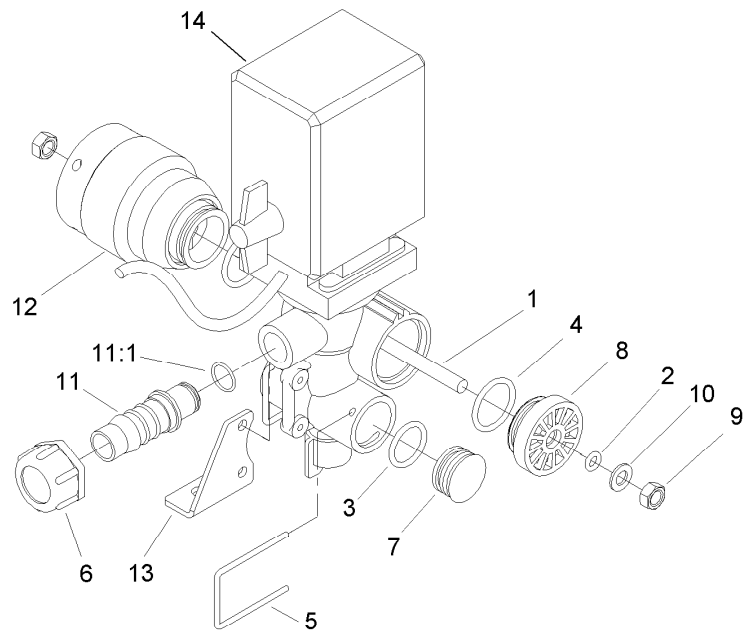
Ref.	Part Number	Qty.	Description	Ref.	Part Number	Qty.	Description
12	100-8681	1	Tee	21:1	100-8637	2	O-Ring
13	100-8698	1	Elbow	22	100-6708	4	Fork
14	100-6655	2	Gasket	23	100-8635	8	Fork
15	100-6656	2	O-Ring	25	100-8484	1	Hose-Suction
16	100-8679	1	Hosebarb	26		1	Valve Booms ●
17	100-8680	1	Seal	28		1	Agitation Supply Hose ASM
18	100-6660	1	Suction Damper ASM				
19	106-5035	1	Boom Supply Hose ASM	28:1	106-4933	2	Hosebarb ASM
19:1	106-4933	1	Hosebarb ASM	28:1:1	100-8637	1	O-Ring
19:1:1	100-8637	1	O-Ring	28:2	2412-3	2	Clamp-Hose
19:2	2412-3	2	Clamp-Hose	28:3	106-4978	1	Hose
19:3	106-4976	1	Hose	29		1	Valve Agitation ASM ●
19:4	106-4932	1	Hosebarb-Straight	30	100-6885	1	Fork-Valve, Boom
19:4:1	100-8637	1	O-Ring	31	41327	2	Clamp-Hose
21	106-4947	1	Connector				

● Not serviced separately



Valve Boom Assembly

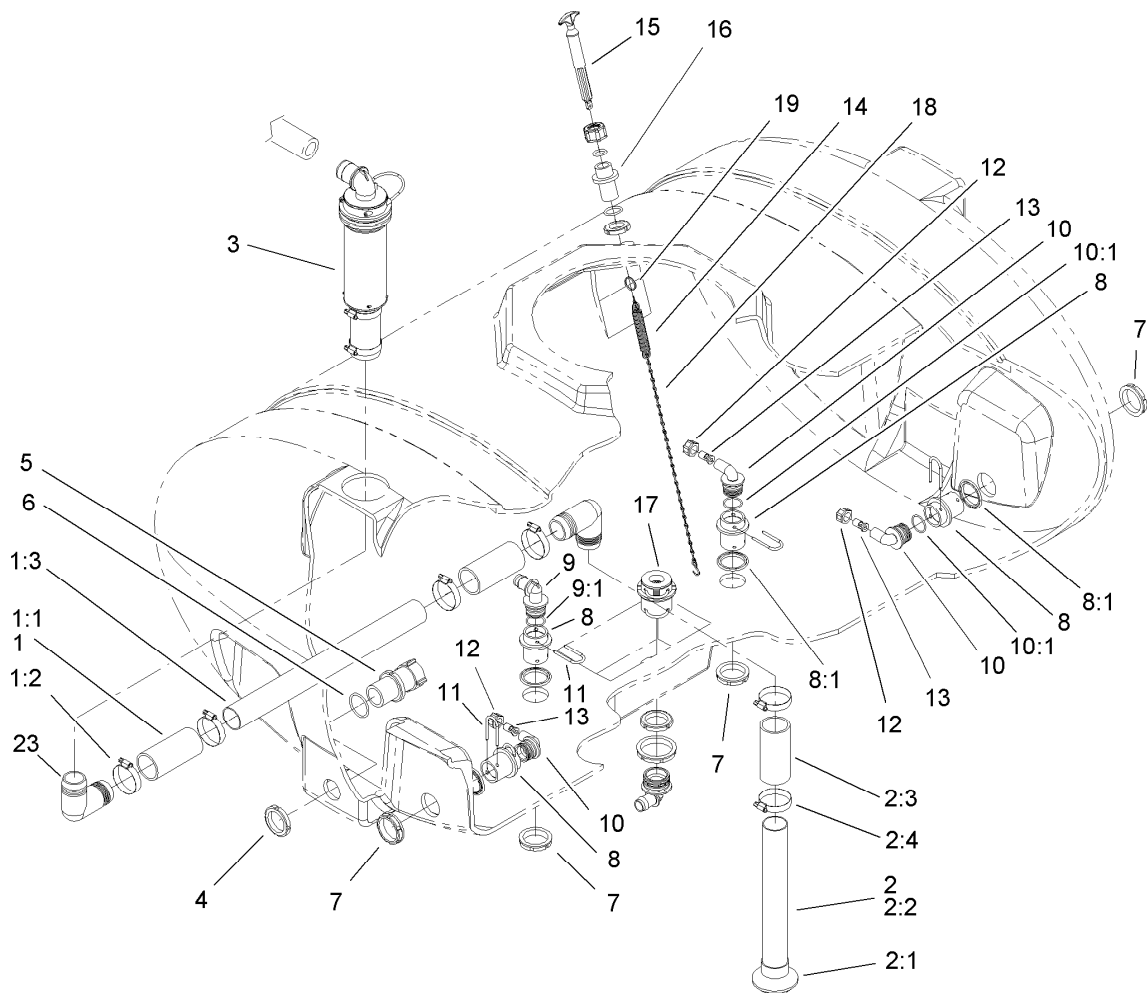
Ref.	Part Number	Qty.	Description	Ref.	Part Number	Qty.	Description
1	106-1213	1	Rod-Control, Spray	18:2	100-6877	3	Washer-Lock
2	100-6882	4	O-Ring	18:3	100-6880	3	O-Ring
3	100-6646	7	O-Ring	18:4	100-6874	3	Cover-Valve, Boom
4	100-6885	6	Fork-Valve, Boom	18:5	100-6912	3	Cover-Seal
5	99-0850	3	Nut	18:6	100-6875	3	Handgrip-Valve, Boom
6	100-6891	1	Cap-End	19	100-6889	3	Section-Spindle, Boom Valve
7	100-6890	2	Joiner-Bypass, Boom	19:1	100-8653	1	O-Ring
8	100-6896	2	Joiner-Valve, Boom	19:2	100-6882	5	O-Ring
9	100-6915	1	Cover-End	19:3	100-6911	1	Pin-Roller
10	100-6894	1	Nut	19:4	100-6910	1	Bearing-Roller
11	100-6634	1	Washer	19:5	100-6879	1	O-Ring
12	106-5112	3	Hosebarb ASM	19:6	100-6878	1	O-Ring
12:1	100-6645	1	O-Ring	19:7	100-6881	1	Cone-Stem, Boom Valve
13	106-1214	1	Connector-Control, Spray	20	100-6888	3	Manifold-Valve, Boom
14	100-6760	3	Bracket-Valve, Section	20:1	100-6887	1	O-Ring
15	100-8674	1	Coupler-Tube	20:2	106-5151	1	Manifold-Lower
17	100-6887	1	O-Ring	21	100-6917	12	Screw-Plastic
18	107-2861	3	Boom Valve Motor ASM				
18:1	100-6876	3	Screw				



Valve Agitation Assembly

Ref.	Part Number	Qty.	Description	Ref.	Part Number	Qty.	Description
1	104-8907	1	Rod-Manifold	14:4	100-6874	3	Cover-Valve, Boom
2	100-6887	1	O-Ring	14:5	100-6912	3	Cover-Seal
3	100-6882	2	O-Ring	14:6	100-6875	3	Handgrip-Valve, Boom
4	100-6646	2	O-Ring	15	100-6889	1	Section-Spindle, Boom Valve
5	100-6885	2	Fork-Valve, Boom	15:1	100-8653	1	O-Ring
6	99-0850	1	Nut	15:2	100-6882	5	O-Ring
7	100-6891	2	Cap-End	15:3	100-6911	1	Pin-Roller
8	100-6915	1	Cover-End	15:4	100-6910	1	Bearing-Roller
9	100-6894	1	Nut	15:5	100-6879	1	O-Ring
10	100-6634	1	Washer	15:6	100-6878	1	O-Ring
11	106-5112	1	Hosebarb ASM	15:7	100-6881	1	Cone-Stem, Boom Valve
11:1	100-6645	1	O-Ring	16	100-6888	1	Manifold-Valve, Boom
12	106-1214	1	Connector-Control, Spray	16:1	100-6887	1	O-Ring
13	100-6760	1	Bracket-Valve, Section	16:2	106-5151	1	Manifold-Lower
14	107-2861	1	Boom Valve Motor ASM	17	100-6917	4	Screw-Plastic
14:1	100-6876	3	Screw	99	100-7045	1	Plug ●
14:2	100-6877	3	Washer-Lock				
14:3	100-6880	3	O-Ring				

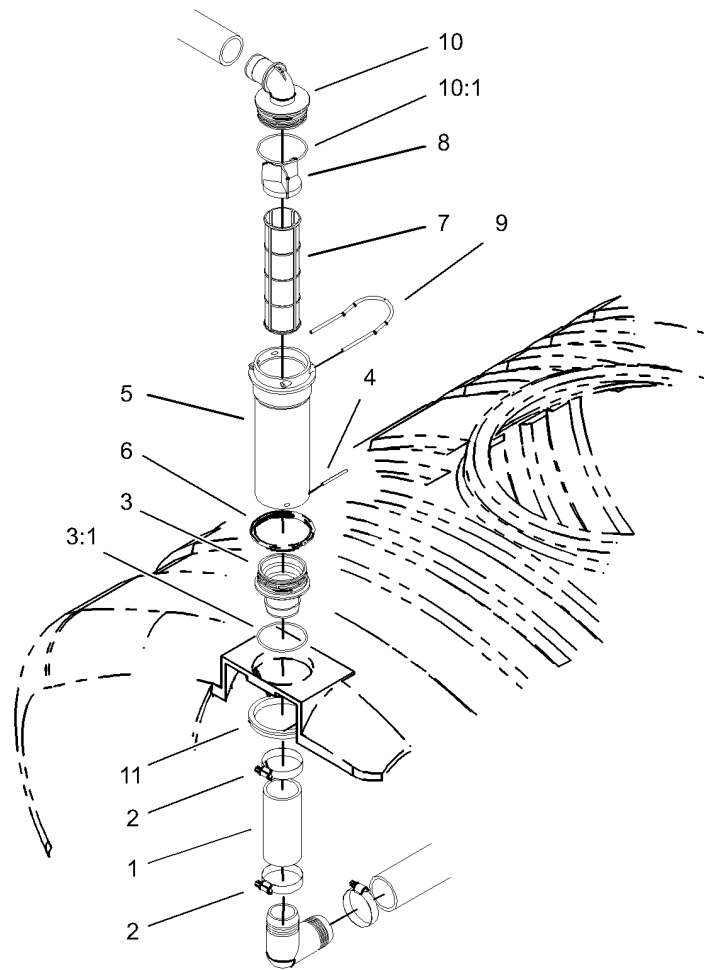
● Not illustrated



Sprayer Internal Component Assembly No. 2

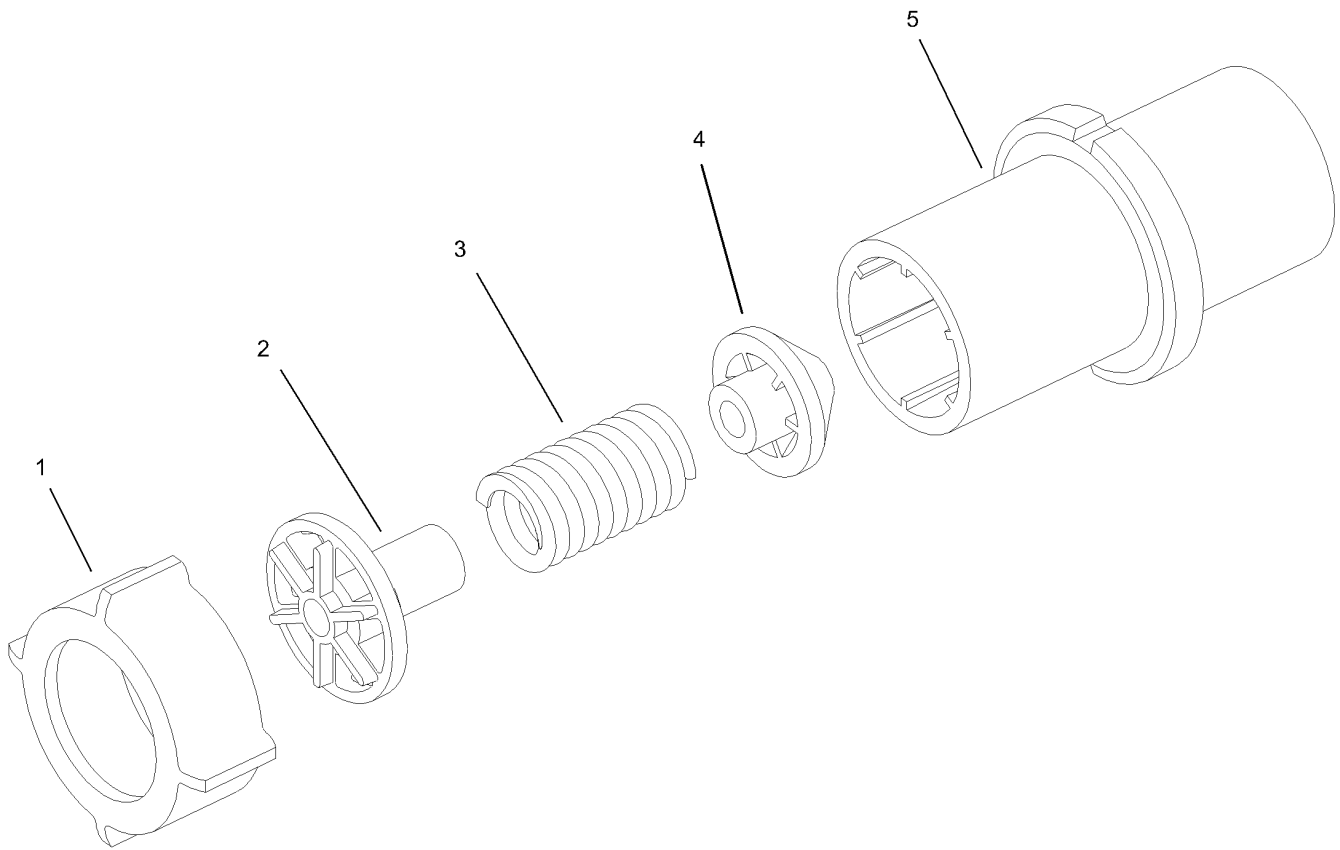
Ref.	Part Number	Qty.	Description	Ref.	Part Number	Qty.	Description
1	104-9150	1	Tube-Suction, Middle	9	106-4945	1	Elbow
1:1	100-8649	2	Hose-Suction	9:1	100-6712	1	O-Ring
1:2	26392	4	Clamp-Hose	10	106-4944	3	Fitting-90 DEG
1:3	106-1215	1	Tube-Suction	10:1	100-6712	1	O-Ring
2	104-9151	1	Tube-Suction, Lower	11	100-6708	4	Fork
2:1	100-6714	1	Foot-Tube, Suction	12	99-0766	3	Nut
2:2	106-1216	1	Tube-Suction	13	106-1218	3	Nozzle
2:3	100-8649	1	Hose-Suction	14	106-1391	1	Spring-Extension
2:4	26392	2	Clamp-Hose	15	106-1347	1	Handle-Drain
3	104-9154	1	Filter ASM	16		1	Upper Tank Drain Bulkhead ASM ●
4	99-0761	1	Ringnut	17	107-2874	1	Tank Drain ASM
5	100-6820	1	Safety Valve ASM (225 Psi)	18	106-5023	1	Chain ASM
6	100-6652	1	Gasket	19	106-1392	1	Ring-Retaining, Spiral (EXT)
7	100-6713	4	Nut-Bulkhead	23	104-9095	2	Elbow
8	106-4896	4	Fitting-Bulkhead				
8:1	100-6710	1	Gasket-Bulkhead				

● Not serviced separately



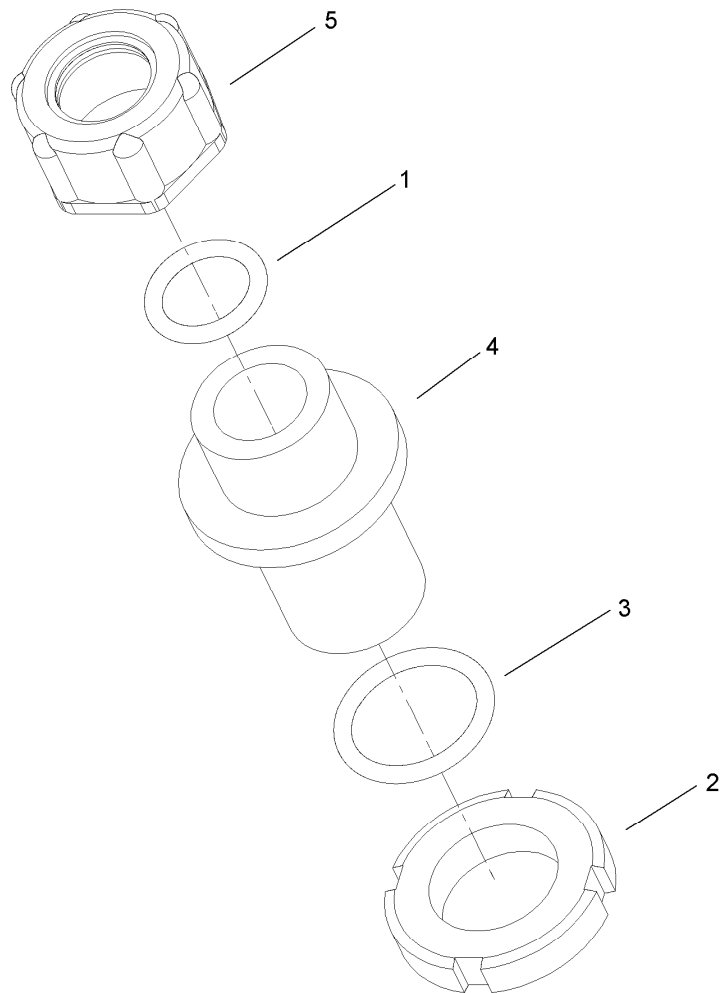
Filter Assembly No. 104-9154

<i>Ref.</i>	<i>Part Number</i>	<i>Qty.</i>	<i>Description</i>
1	100-8649	1	Hose-Suction
2	26392	2	Clamp-Hose
3	106-4942	1	Hosebarb-Straight
3:1	100-8640	1	O-Ring
4	100-8644	2	Pin-Expansion
5	100-8643	1	Housing-Filter
6	100-8646	1	Gasket-Bulkhead
7	100-8642	1	Screen-Suction
8	100-8641	1	Vane-Screen
9	100-8636	1	Fork-Special
10	106-4952	1	Hosebarb-90 DEG
10:1	100-6989	1	O-Ring
11	100-8647	1	Nut-Bulkhead



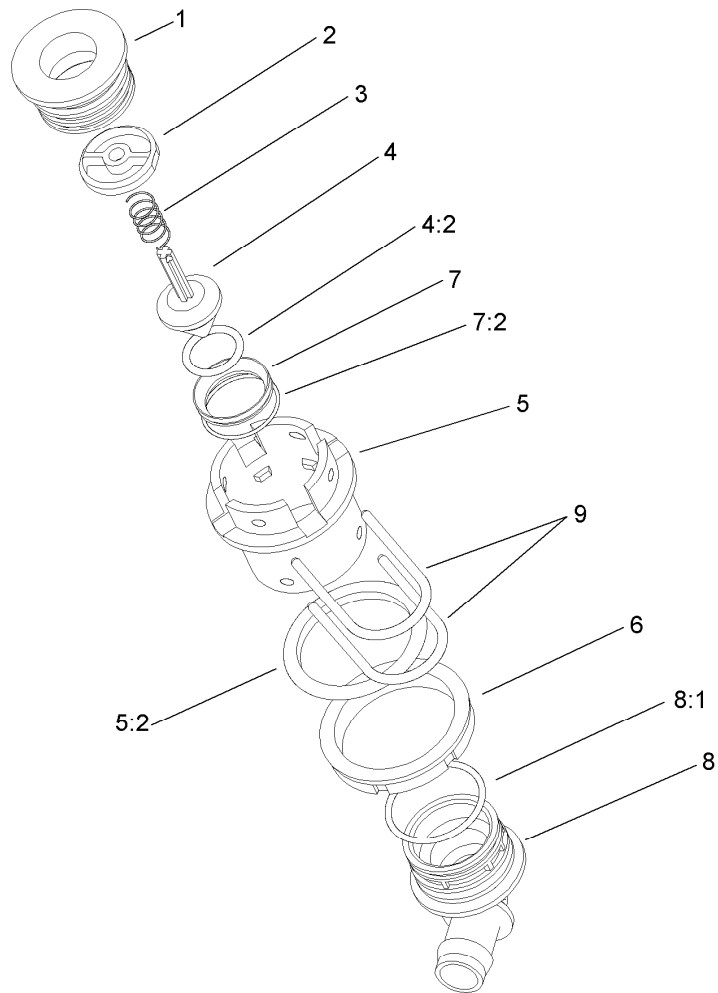
Safety Valve Assembly No. 100-6820

<i>Ref.</i>	<i>Part Number</i>	<i>Qty.</i>	<i>Description</i>
1	100-8678	1	Nut
2	100-6724	1	Valve-Relief, Seat
3	100-6725	1	Spring-Relief, Valve
4	100-6726	1	Cone-Relief, Valve
5	100-6727	1	Housing-Relief, Valve



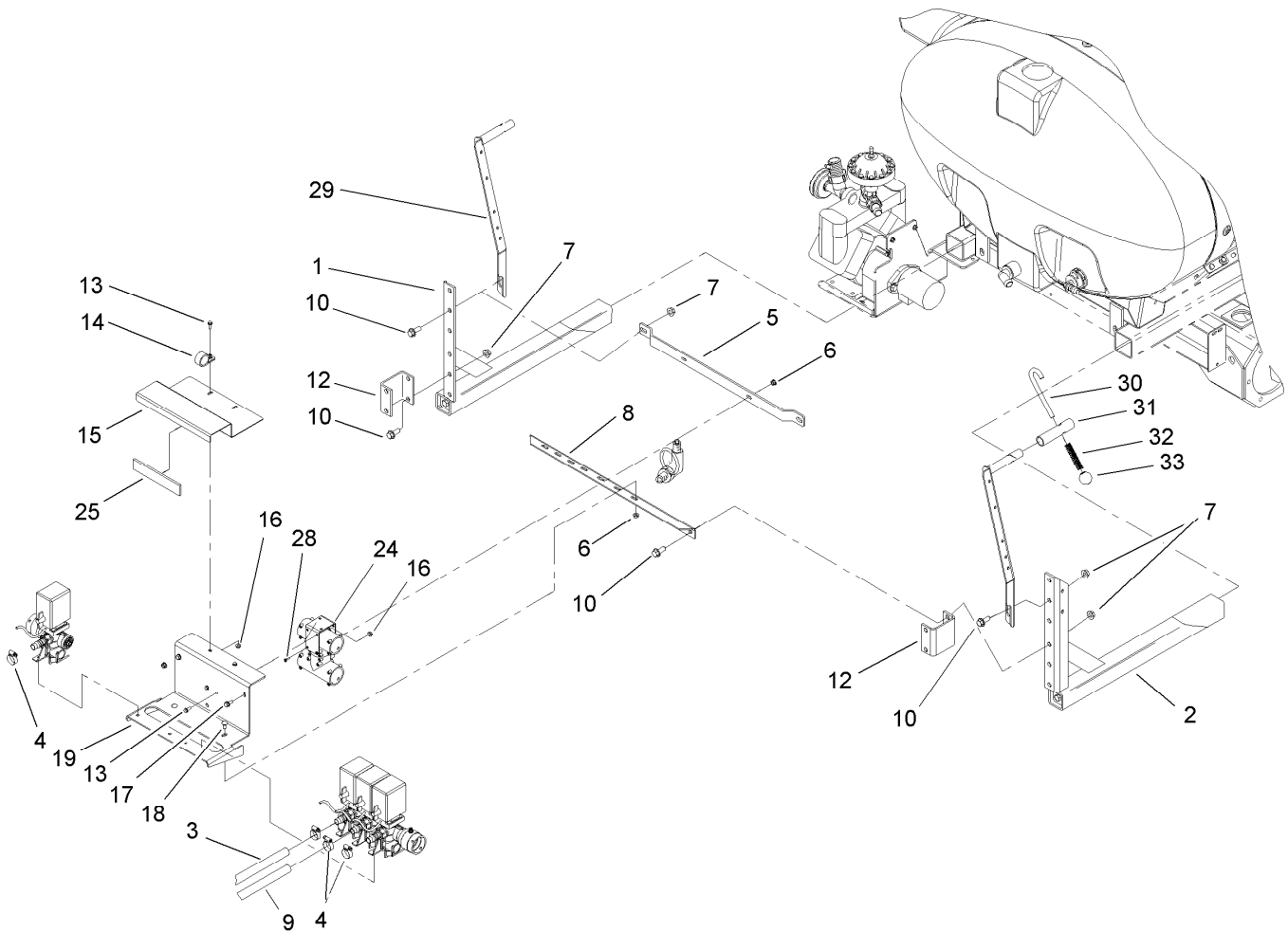
Upper Tank Drain Bulkhead Assembly

<i>Ref.</i>	<i>Part Number</i>	<i>Qty.</i>	<i>Description</i>
1	100-6643	1	O-Ring
2	99-0758	1	Nut
3	100-6658	1	Gasket
4	106-1240	1	Bulkhead
5	106-1241	1	Nut-Special



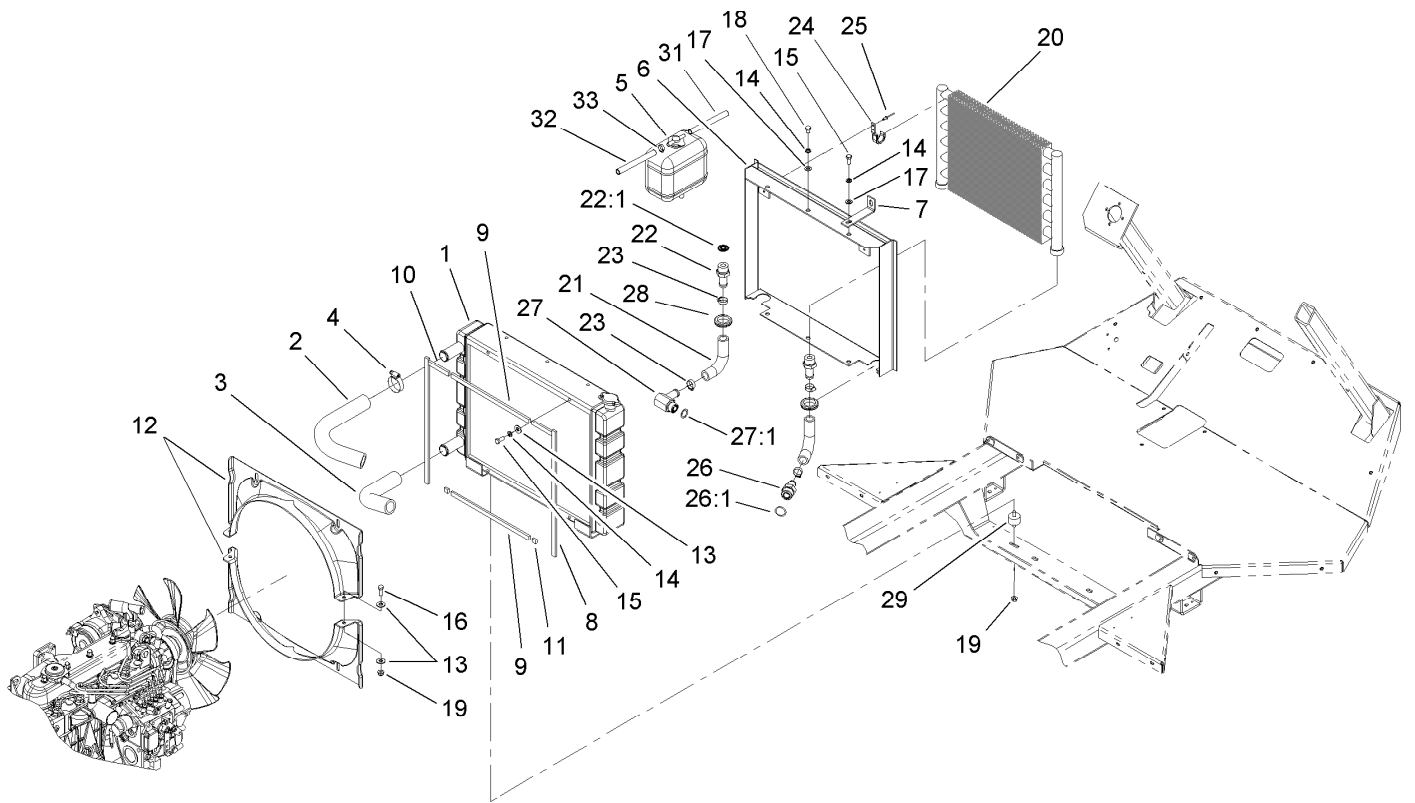
Tank Drain Assembly

<i>Ref.</i>	<i>Part Number</i>	<i>Qty.</i>	<i>Description</i>
1	107-2868	1	Adapter
2	107-2869	1	Holder-Plunger
3	107-2871	1	Spring
4	107-2870	1	Drain Plunger ASM
4:2	107-2872	1	O-Ring
5	107-2862	1	Drain Bulkhead ASM
5:2	107-2864	1	Gasket-Bulkhead
6	100-7051	1	Nut-Bulkhead
7	107-2867	1	Seat Drain ASM
7:2	107-2866	1	O-Ring
8	106-4933	1	Hosebarb ASM
8:1	100-8637	1	O-Ring
9	100-8635	2	Fork



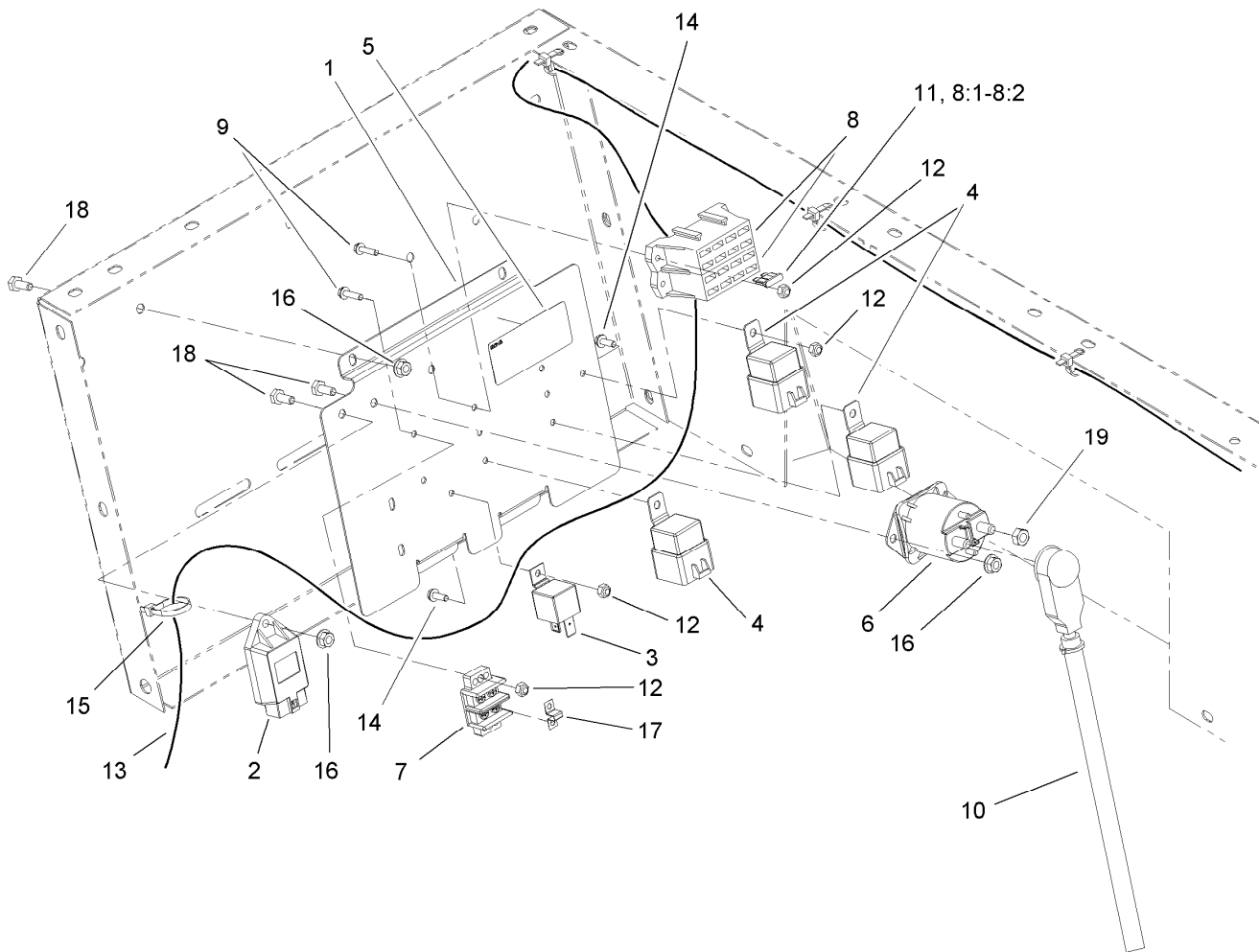
Sprayer Component Assembly

<i>Ref.</i>	<i>Part Number</i>	<i>Qty.</i>	<i>Description</i>	<i>Ref.</i>	<i>Part Number</i>	<i>Qty.</i>	<i>Description</i>
1	107-8618	1	LH Boom Mount ASM	15	104-9072-03	1	Bracket-Support, Valve
2	107-8619	1	RH Boom Mount ASM	16	32128-33	4	Nut-HF
3	41340	2	Hose-Boom	17	3234-5	6	Screw-HHF
4	2412-129	4	Clamp-Hose	18	3230-1	2	Bolt-CARR
5	104-9073-03	1	Bar-Mounting, Valve	19	104-9153-03	1	Bracket-Mounting, Boom
6	32128-20	8	Nut-HF	24	100-8478	1	Bracket-Tee
7	32128-23	10	Nut-HF	25	100-8524	1	Strip-Foam
8	42225-03	1	Angle-Support, Cross	28	32144-32	4	Screw
9	107-8645	1	Hose-Boom, Center	29	107-0778-03	2	Boom Hold In ASM
10	3234-32	10	Screw-HHF	30	92-8562	2	Hook-Restraint, Boom
12	92-8533-03	2	Bracket-Mounting, Boom	31	92-8561	2	Hose-Hold In
13	3234-4	4	Screw-HHF	32	92-8563	2	Spring
14	2412-147	1	Clamp	33	92-8564	2	Knob



Oil Cooler and Radiator Assembly

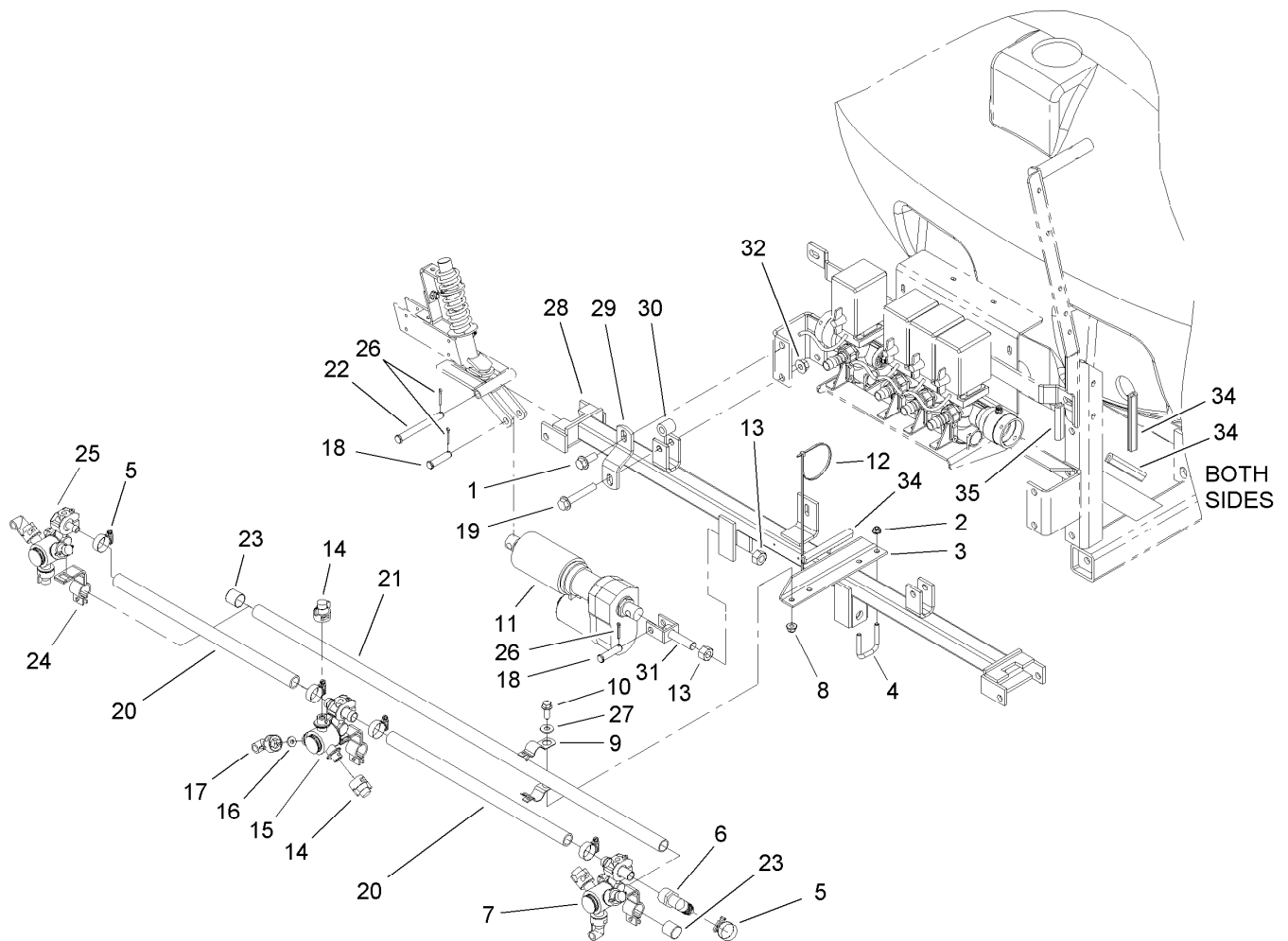
<i>Ref.</i>	<i>Part Number</i>	<i>Qty.</i>	<i>Description</i>	<i>Ref.</i>	<i>Part Number</i>	<i>Qty.</i>	<i>Description</i>
1	106-5291	1	Radiator	19	32128-20	4	Nut-HF
2	106-5239	1	Hose-Radiator, Upper	20	94-7007	1	Oil Cooler ASM
3	106-5240	1	Hose-Radiator, Lower	21	106-5293	2	Hose-Cooler, Oil
4	2412-111	4	Clamp	22	354-73	2	Fitting-Straight
5	104-9318	1	Overflow Bottle ASM	22:1	237-81	1	O-Ring
6	106-5180-03	1	Radiator Shroud ASM	23	2412-141	4	Clamp-Drive, Worm
7	106-5185	2	Brace-Radiator	24	75-0930	2	Hook-Mount, Cooler
8	107-8675	2	Seal-Foam	25	3269-15	4	Rivet-Pop
9	107-8676	2	Seal-Foam	26	107-8652	1	Fitting-Straight
10	107-8677	2	Seal-Foam	26:1	237-58	1	O-Ring
11	107-8678	2	Seal-Foam	27	107-8654	1	Fitting-Elbow, 90
12	106-5290	2	Shroud-Fan	27:1	237-65	1	O-Ring
13	3256-56	8	Washer-Flat	28	240-3	2	Grommet-Rubber
14	3253-4	10	Washer-Lock	29	62-5480	2	Isolater-Seat
15	322-3	6	Screw-HH	31	93-5485	1	Hose-Fuel
16	322-4	2	Screw-HH	32	99-9687	1	Hose-Fuel
17	3256-23	6	Washer-Flat	33	2412-108	3	Clamp-Worm
18	322-1	4	Screw-HH				



Electrical Panel Assembly

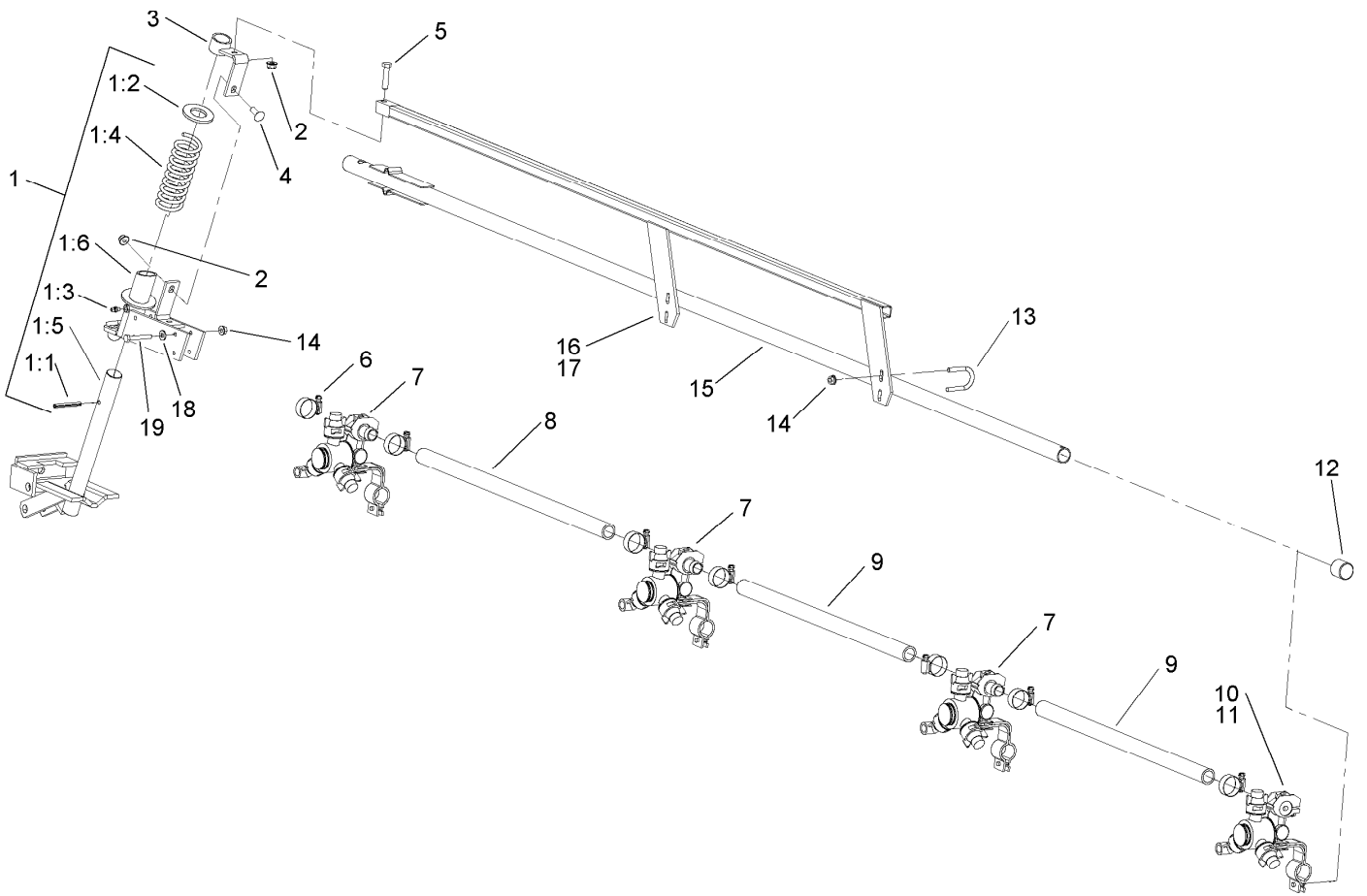
Ref.	Part Number	Qty.	Description
1	106-5014-01	1	Panel-Electic
2	98-7611	1	Controller-Glow
3	99-7435	1	Relay-Power
4	99-7430	3	Relay
5	107-8700	1	Decal-Fuse Block
6	99-7406	1	Solenoid
7	42862	1	Block-Terminal, Ground
8	107-8736	1	Harness-Wire, Vehicle
8:1	218-578	2	Fuse-Blade, 10 Amp
8:2	109355	2	Fuse-Blade, 15 Amp
9	32105-13	6	Screw-HWH
10	94-7092	1	Cable-Battery, Positive
11	3217-6	2	Nut-Hex
12	3296-2	10	Nut-Lock, NI
13	107-8713	1	Harness-Wire, Spray Unit
13:5	107-8745	4	Fuse-Blade, 3 Amp ●
14	32105-2	4	Screw-SHWH
15	3290-379	1	Tie-Cable
16	32128-33	5	Nut-HF
17	42863	1	Strip-Jumper
18	321-3	5	Screw-HH
19	3219-14	2	Nut-Hex

● Not illustrated



Center Boom Assembly

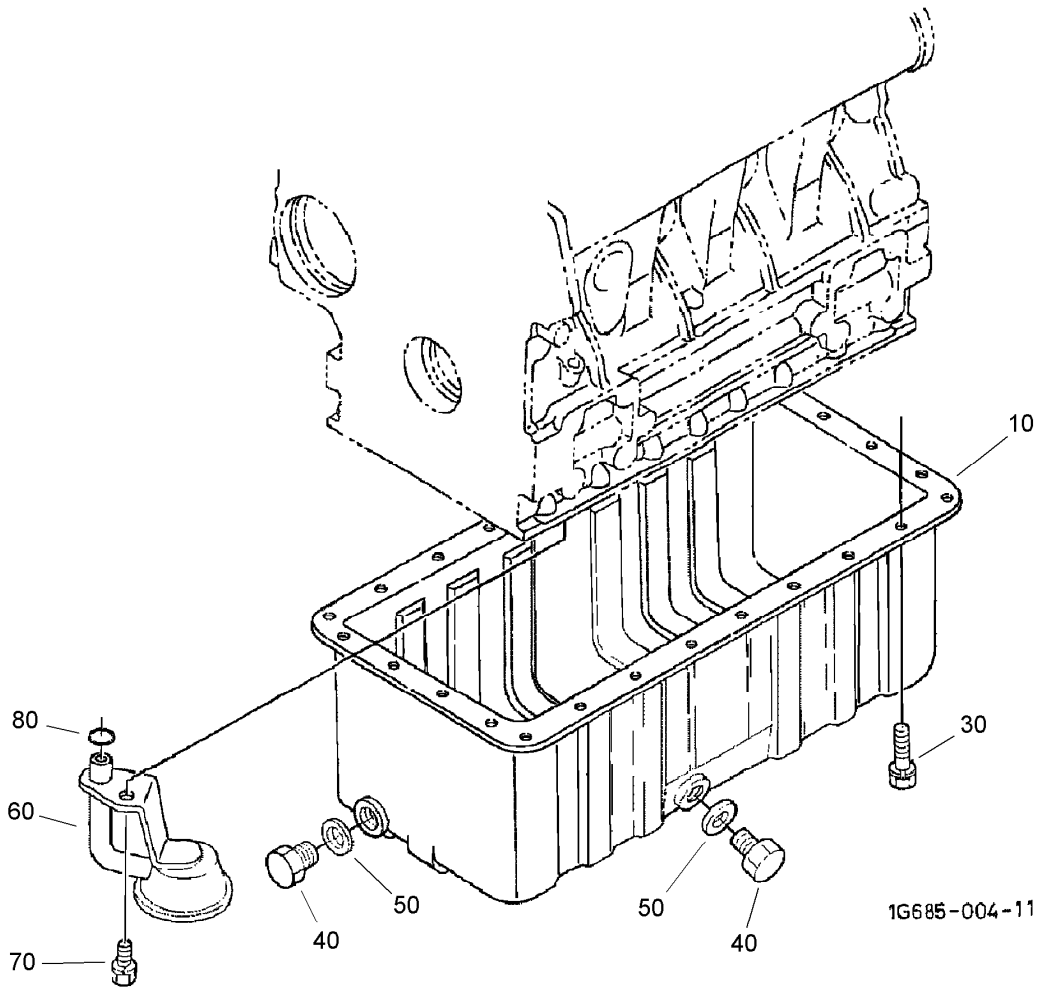
Ref.	Part Number	Qty.	Description	Ref.	Part Number	Qty.	Description
1	3234-32	2	Screw-HHF	18	42195	4	Pin-Clevis
2	104-8300	4	Nut-Flange, NI	19	3234-40	2	Screw-HF
3	106-5085-03	2	Plate-Boom, Center	20	40506	2	Hose-Jumper
4	301950	2	U-Bolt-Square	21	40493-03	1	Pipe-Boom, Center
5	2412-129	5	Clamp-Hose	22	283-83	2	Pin-Clevis
6	95-9314	1	Elbow	23	92-8420	2	Cap-Boom
7	104-8790	1	Body-Turret, Double	24	95-9185	11	Clamp
8	104-8301	2	Nut-Flange, NI	25	104-8787	1	Body-Turret, Single (LH)
9	40494	2	Clamp ASM	26	3272-11	6	Pin-Cotter
10	3234-11	2	Screw-HHF	27	3256-4	2	Washer-Flat
11	92-3757	2	Actuator-Boom	28	42227-03	1	Main Frame Tube ASM
12	3290-379	4	Tie-Cable	29	104-8761-03	2	Strap-Support, Boom
13	3217-11	4	Nut-Hex	30	42257	2	Spacer-Tubular
14	95-9187	22	Cap-Blank	31	42237	2	Adjustable Clevis ASM
15	104-8789	1	Body-Turret, Double	32	32128-49	4	Nut-HHF
16	40998	33	Seat-Gasket	34	107-8649	4	Trim-Edge
17	95-9186	11	Cap	35	107-8648	1	Trim-Edge



Extension Boom Assembly

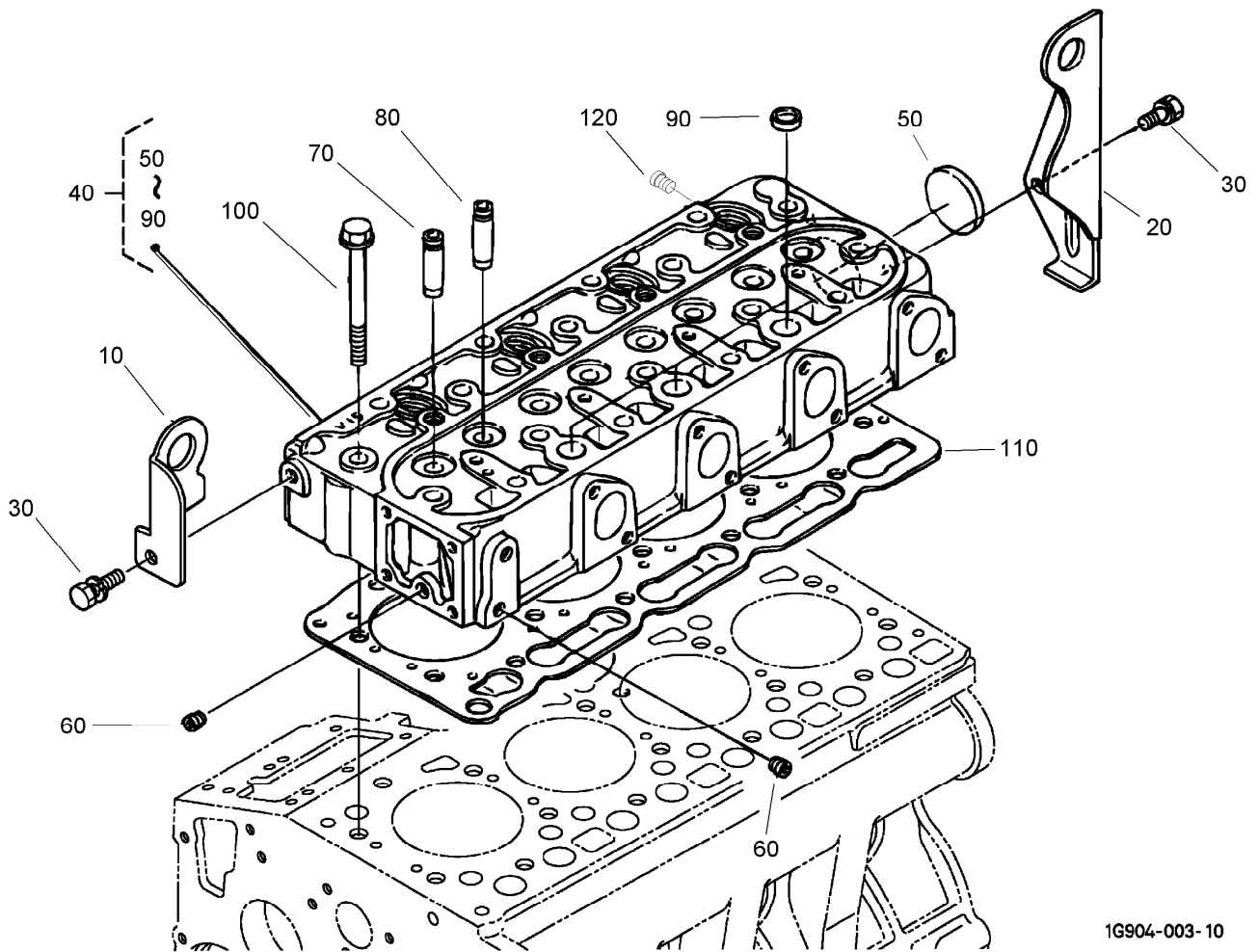
<i>Ref.</i>	<i>Part Number</i>	<i>Qty.</i>	<i>Description</i>
1	42840	2	Breakaway ASM
1:1	32121-78	1	Pin-Roll
1:2	3256-62	1	Washer-Flat
1:3	302-5	1	Fitting-Grease
1:4	42196-03	1	Spring
1:5	42243-03	1	Hinge ASM
1:6	42706-03	1	Breakaway Pivot ASM
2	104-8300	4	Nut-Flange, NI
3	42707-03	2	Support Bracket ASM
4	3230-16	2	Screw-CARR
5	322-7	2	Screw-HH
6	2412-129	14	Clamp-Hose
7	104-8789	6	Body-Turret, Double

<i>Ref.</i>	<i>Part Number</i>	<i>Qty.</i>	<i>Description</i>
8	95-2229	2	Hose
9	40506	4	Hose-Jumper
10	104-8788	1	Body-Turret, Single (RH)
11	104-8787	1	Body-Turret, Single (LH)
12	92-8420	2	Cap-Boom
13	92-0010	4	U-Bolt
14	32128-32	16	Nut-HHF
15	106-5076-03	2	Boom Extension ASM
16	42710-03	1	RH Boom Support ASM
17	42711-03	1	LH Boom Support ASM
18	3256-22	8	Washer-Flat
19	321-10	8	Screw-HH



Oil Pan Assembly

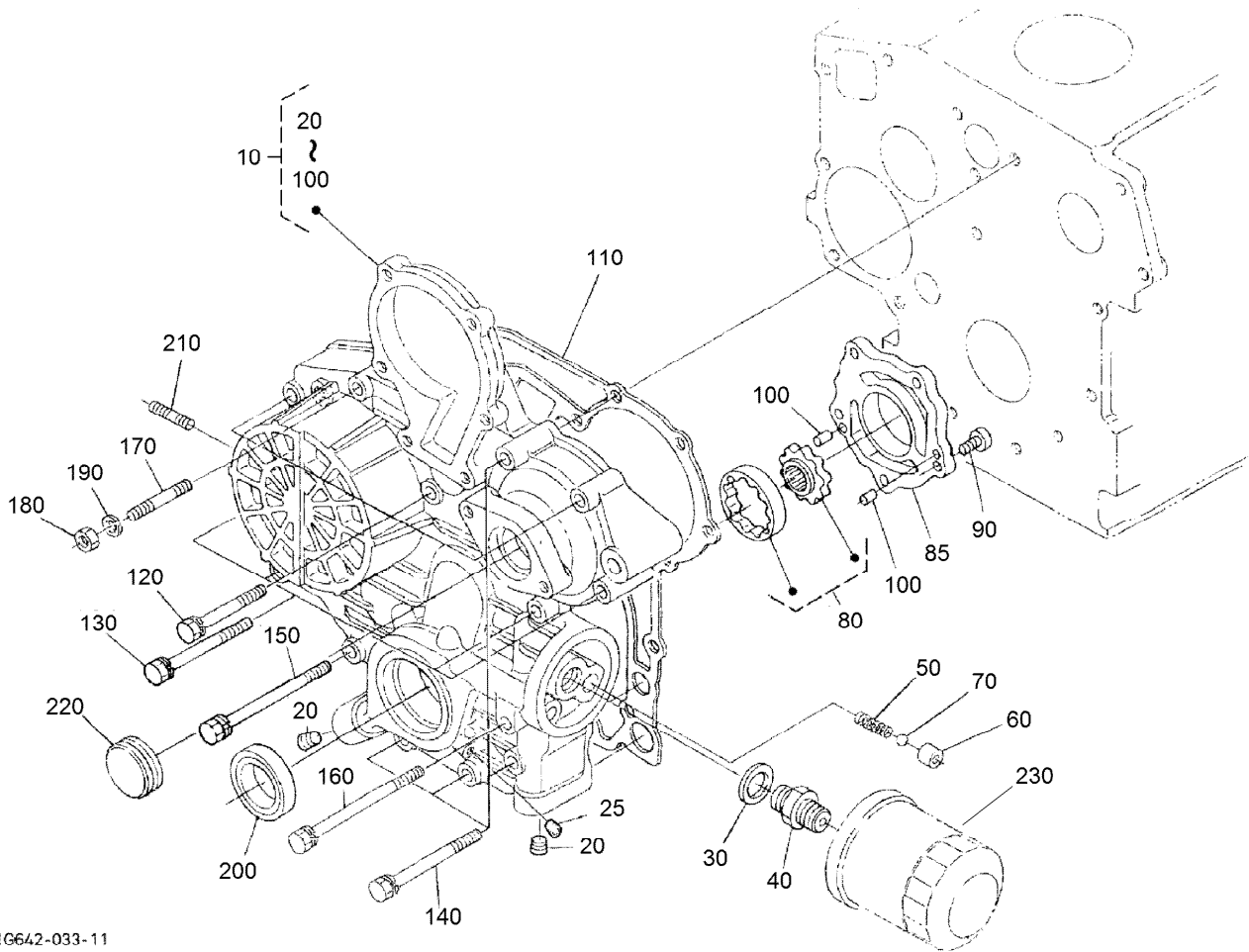
<i>Ref.</i>	<i>Part Number</i>	<i>Qty.</i>	<i>Description</i>
10	108-2852	1	Pan-Oil
30	107-9065	22	Bolt
40	98-9386	1	Plug
50	98-7524	1	Gasket
60	108-2853	1	Head-Oil Filter
70	98-7526	1	Bolt
80	105-3776	1	O-Ring



1G904-003-10

Cylinder Head Assembly

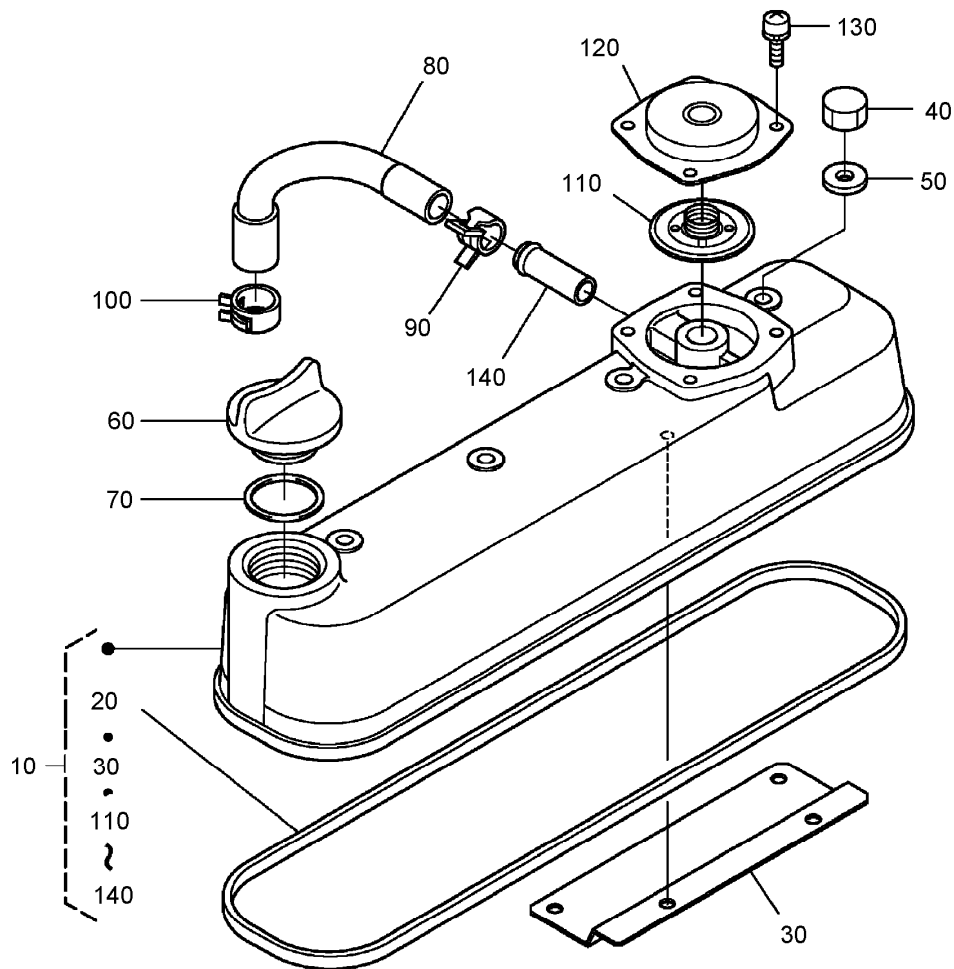
<i>Ref.</i>	<i>Part Number</i>	<i>Qty.</i>	<i>Description</i>
10	98-9477	1	Hook-Engine
20	98-9478	1	Hook-Engine
30	100-9195	2	Bolt
40	108-2854	1	Cylinder Head ASM
50	98-9395	1	Cap-Sealing
60	98-7540	2	Plug
70	107-9066	3	Guide-Valve, Inlet
80	107-9067	3	Guide-Valve, Exhaust
90	98-9389	2	Cap-Sealing
100	98-9479	1	Bolt-Head, Cylinder
110	108-2855	1	Gasket-Head, Cylinder
120	98-9444	1	Plug



1G642-033-11

Gear Case Assembly

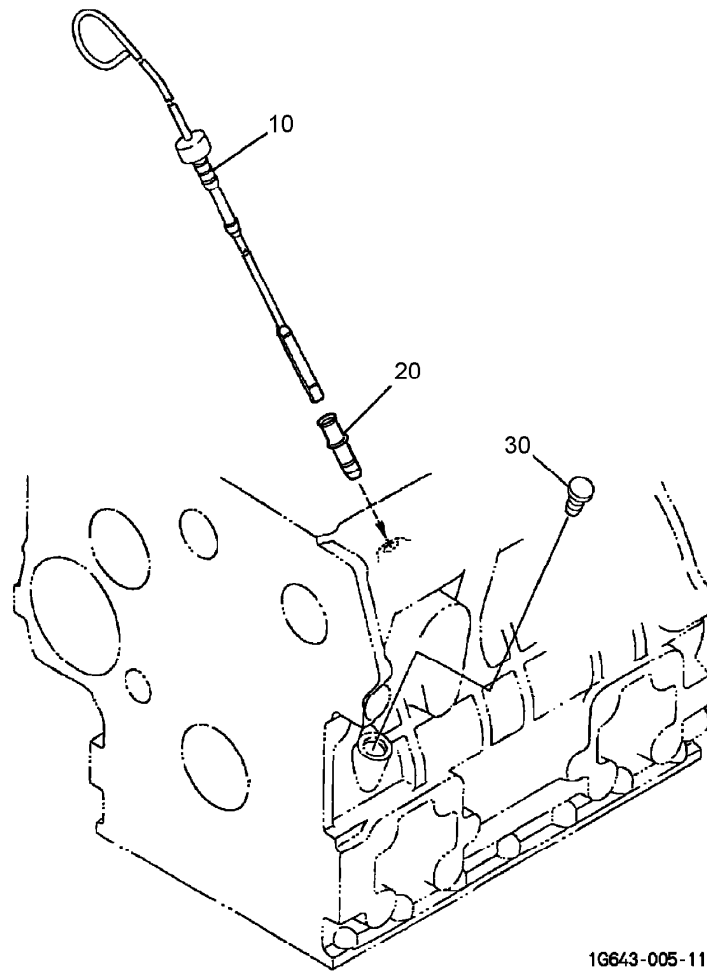
<i>Ref.</i>	<i>Part Number</i>	<i>Qty.</i>	<i>Description</i>	<i>Ref.</i>	<i>Part Number</i>	<i>Qty.</i>	<i>Description</i>
10	107-9068	1	Gear Case ASM	120	107-9073	3	Bolt
20	98-9598	2	Plug	130	105-3797	4	Bolt
25	98-7487	1	Plug	140	98-9356	4	Bolt
30	98-7562	1	Washer-Plain	150	107-9074	1	Bolt
40	98-9388	1	Joint-Pipe	160	98-9586	1	Bolt
50	98-9544	1	Spring	170	105-3709	1	Stud
60	98-9543	1	Seat-Valve	180	98-7572	1	Nut
70	98-9380	1	Ball	190	98-7699	1	Washer-Spring
80	98-9540	1	Oil Pump Rotor ASM	200	98-9482	1	Seal-Oil
85	107-9069	1	Cover-Pump, Oil	210	105-3710	2	Stud
90	107-9071	5	Screw	220	98-9641	1	Cover-Case, Gear
100	107-9072	2	Pin-Straight	230	104-5167	1	Filter-Oil
110	98-9633	1	Gasket-Case, Gear				



1G996-001-10

Head Cover Assembly

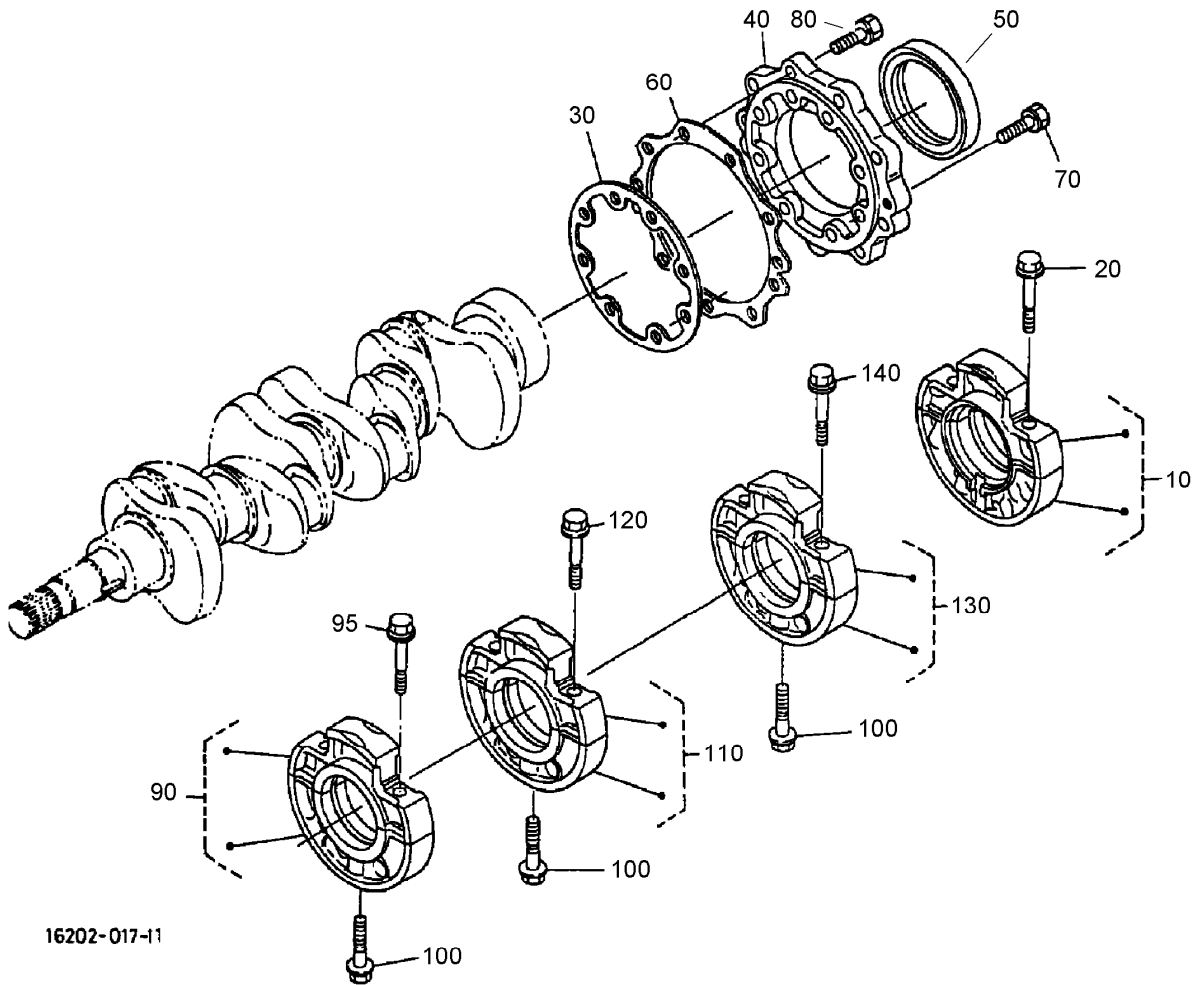
<i>Ref.</i>	<i>Part Number</i>	<i>Qty.</i>	<i>Description</i>
10	108-2856	1	Cylinder Head Cover ASM
20	105-3712	1	Gasket-Cover, Head
30	108-2857	1	Shield-Breather
40	98-9455	4	Nut-Cap
50	98-9454	4	Gasket
60	107-9075	1	Plug-Filler, Oil
70	99-3446	1	O-Ring
80	108-2858	1	Tube-Breather
90	108-2859	1	Clamp-Hose
100	108-2860	1	Clamp-Hose
110	108-2861	1	Breather Valve ASM
120	108-2862	1	Cover-Breather
130	108-2863	4	Screw-PPH
140	98-7766	1	Pipe-Return, Water



1G643-005-11

Dipstick and Guide Assembly

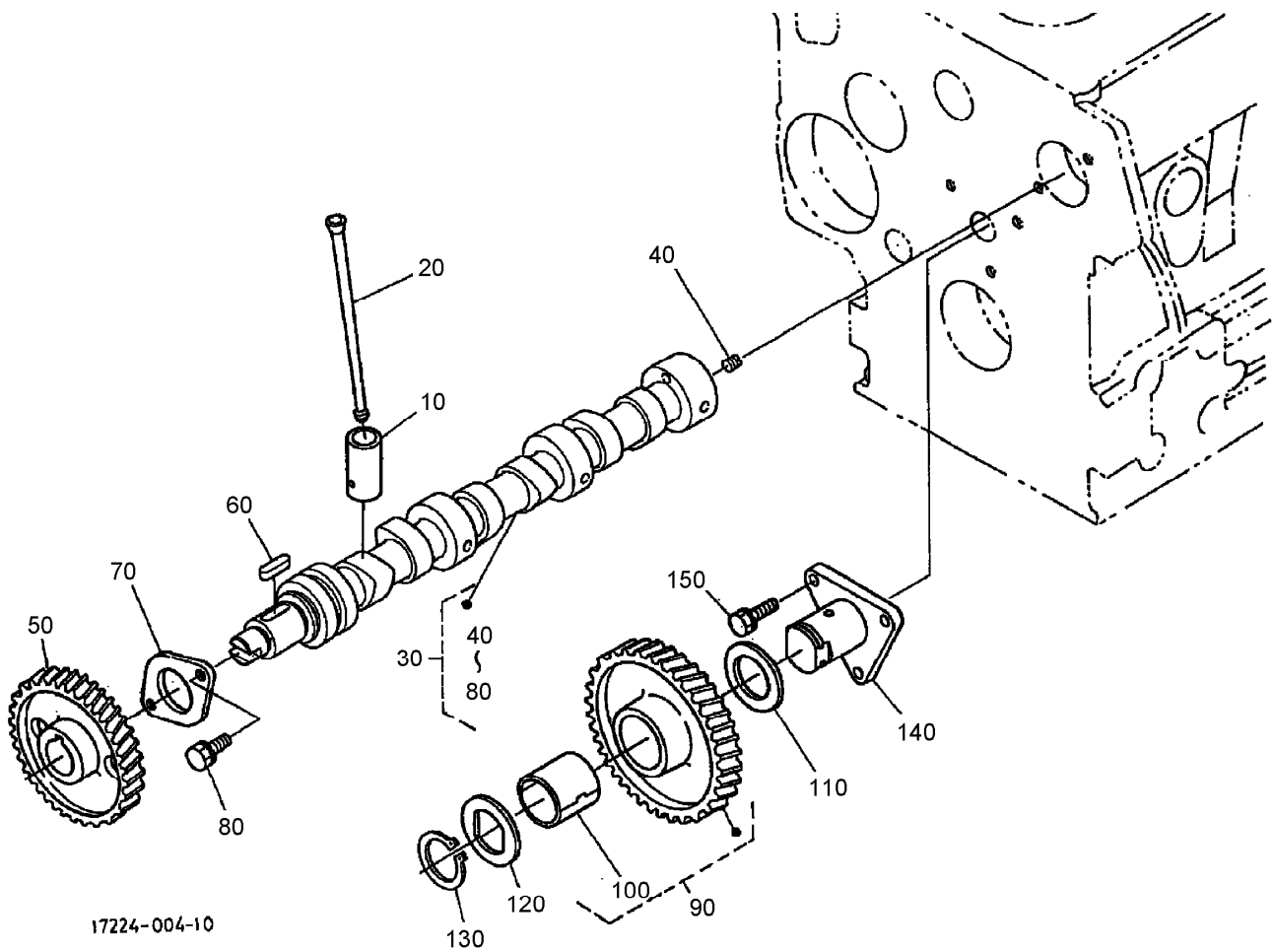
<i>Ref.</i>	<i>Part Number</i>	<i>Qty.</i>	<i>Description</i>
10	105-3714	1	Gauge-Oil
20	105-3713	1	Guide-Gauge, Oil
30	105-3715	1	Plug-Gauge, Oil



16202-017-11

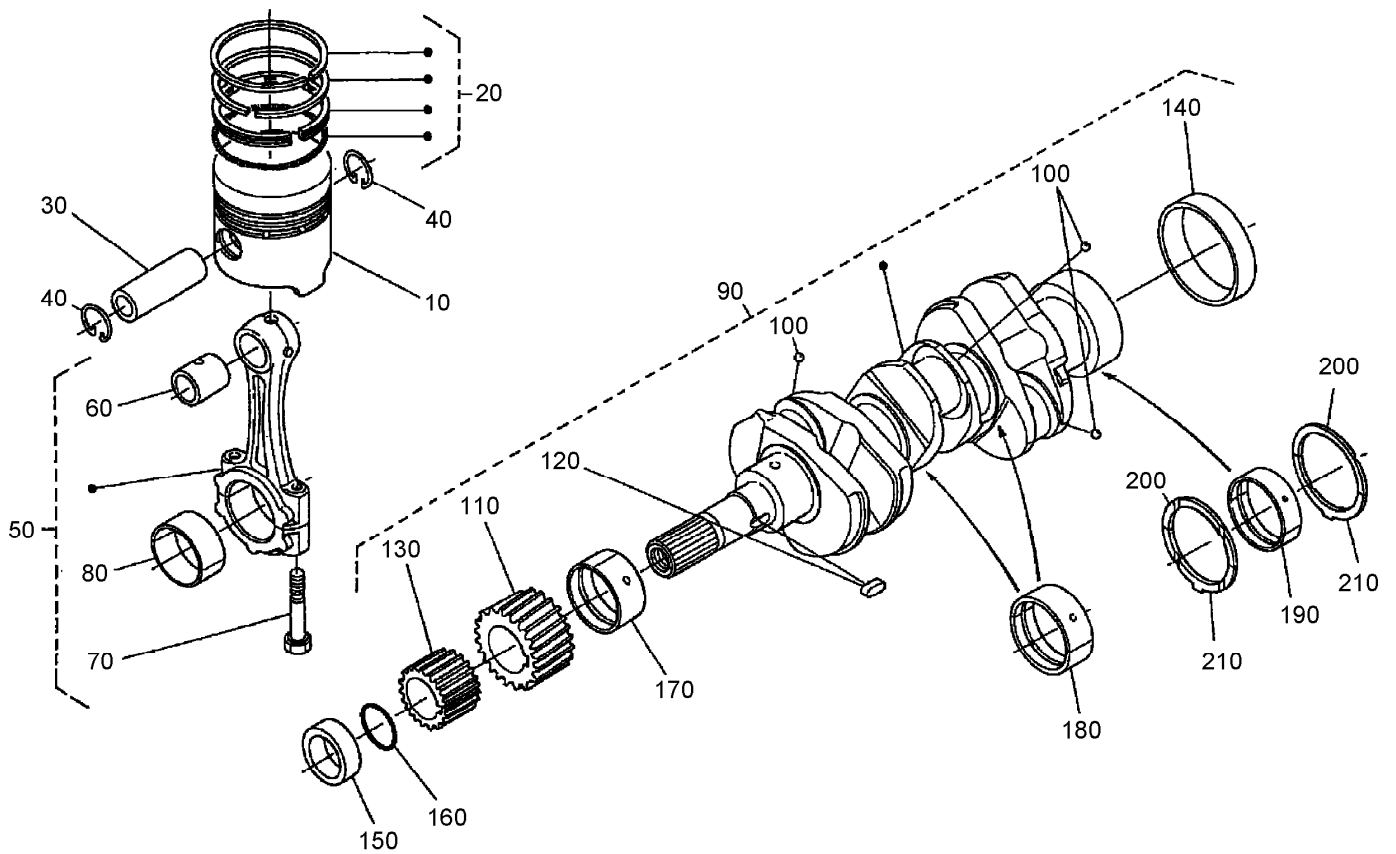
Main Bearing Case Assembly

<i>Ref.</i>	<i>Part Number</i>	<i>Qty.</i>	<i>Description</i>
10	98-9480	1	Main Bearing Case ASM
20	98-9484	6	Bolt-Case, Bearing
30	98-9634	1	Gasket-Case, Bearing
40	98-9487	1	Cover-Case, Bearing
50	98-9483	1	Seal-Oil
60	98-9635	1	Gasket-Cover, Bearing Case
70	98-9352	8	Bolt
80	98-7568	9	Bolt
90	98-9606	1	Main Bearing Case ASM
95	98-9484	2	Bolt-Case, Bearing
100	98-9485	3	Bolt-Case, Bearing
110	98-9607	1	Main Bearing Case ASM
120	98-9484	2	Bolt-Case, Bearing
130	108-2864	1	Main Bearing Case ASM
140	98-9484	2	Bolt-Case, Bearing



Camshaft and Idle Gear Shaft Assembly

<i>Ref.</i>	<i>Part Number</i>	<i>Qty.</i>	<i>Description</i>
10	98-9616	6	Tappet
20	98-9509	6	Rod-Push
30	108-2865	1	Camshaft ASM
40	98-7449	1	Screw-Set
50	98-9512	1	Gear-Cam
60	98-9378	1	Key-Feather
70	98-9510	1	Stopper-Camshaft
80	98-7692	2	Bolt
90	98-9649	1	Idle Gear ASM
100	98-9650	1	Bushing-Gear, Idle
110	98-9535	1	Collar-Gear, Idle
120	98-9536	1	Collar-Gear, Idle
130	98-9534	1	Circlip-Gear, Idle
140	98-9533	1	Shaft-Gear, Idle
150	98-7692	3	Bolt

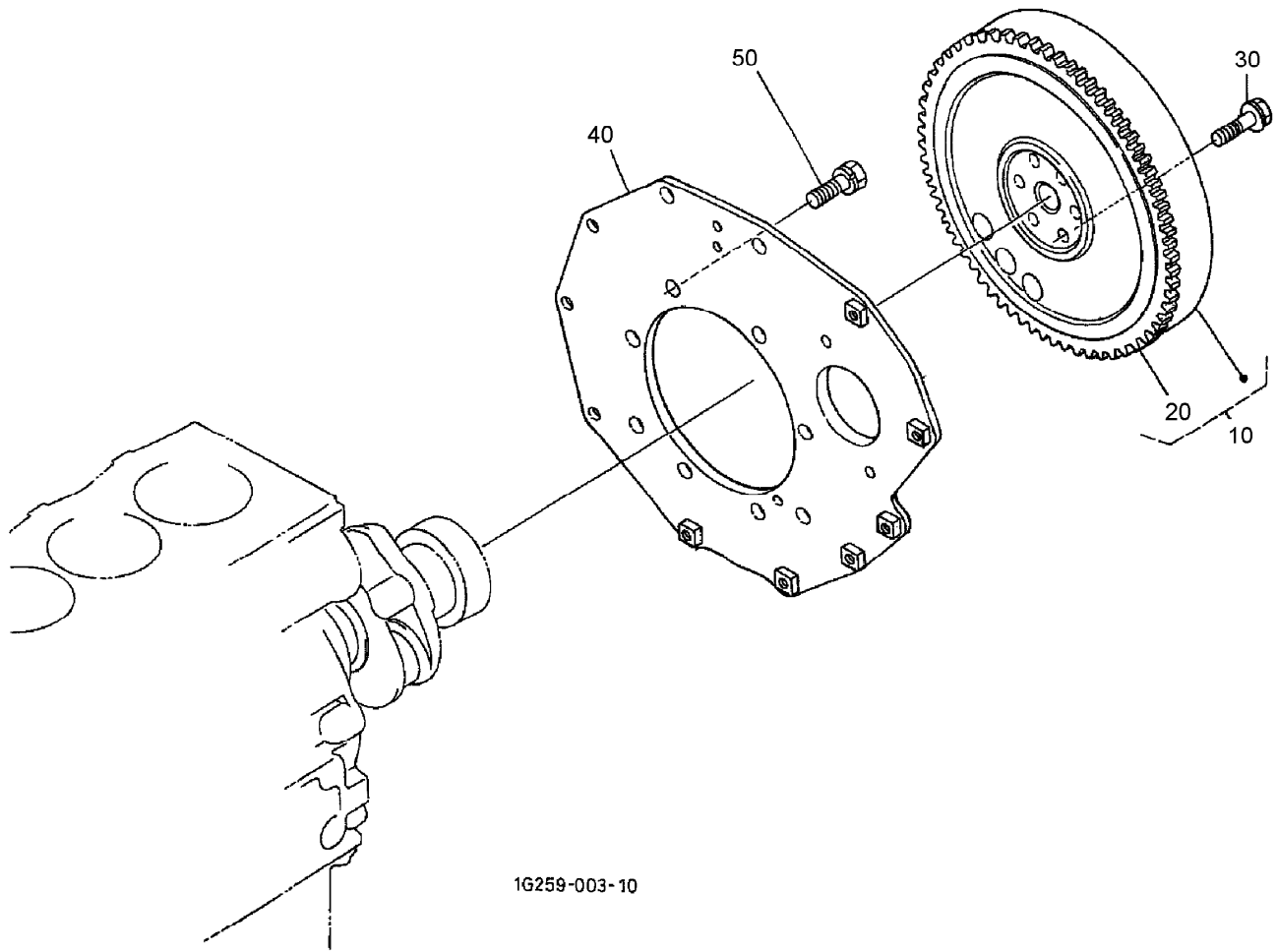


16221-009-10

Piston and Crankshaft Assembly

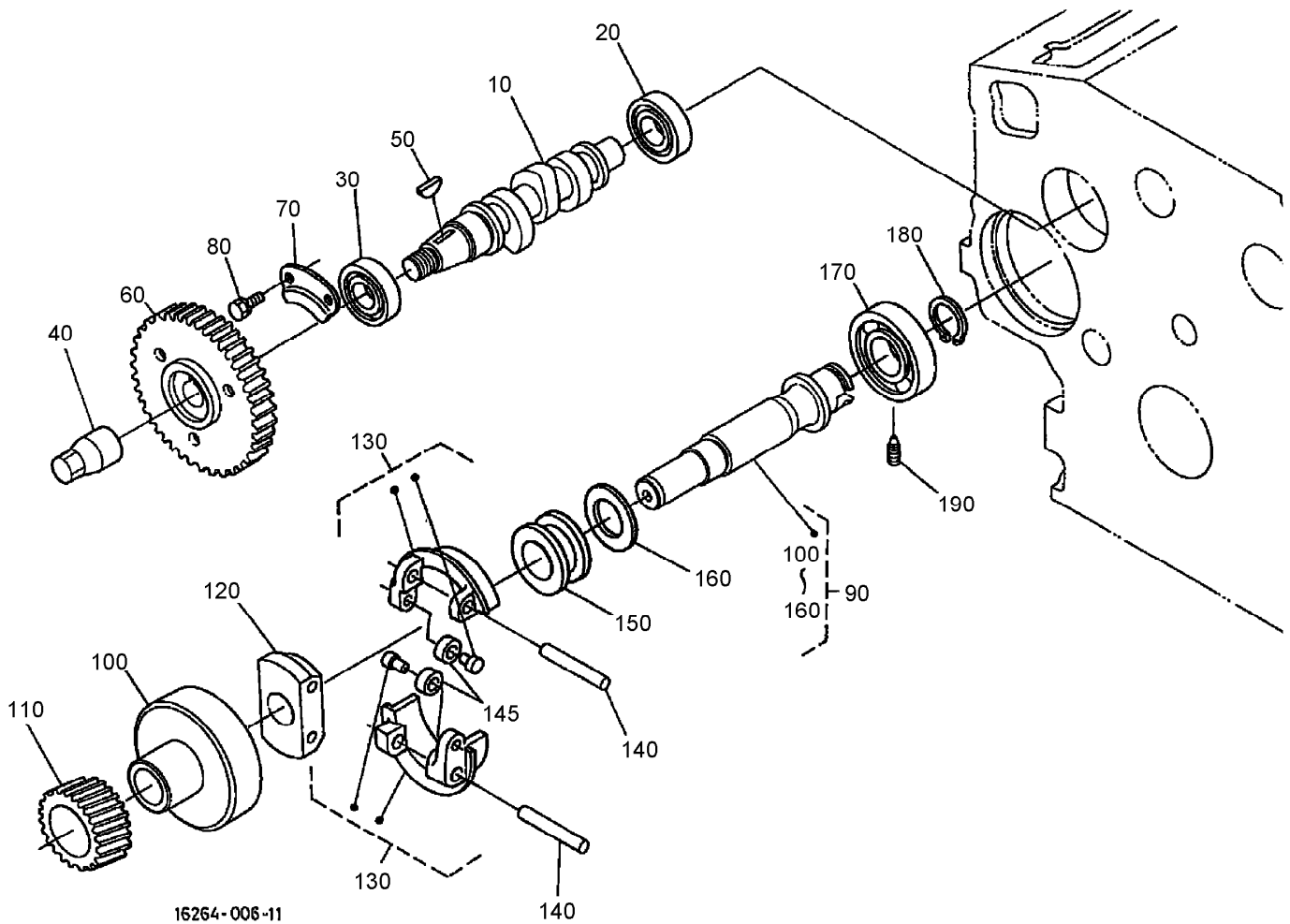
Ref.	Part Number	Qty.	Description
10	98-9470	3	Piston (0.5Mm)
10	98-9469	3	*obs* Piston (STD)
20	98-9619	3	Piston Ring ASM (0.5Mm)
20	98-9618	3	Piston Ring ASM (STD)
30	98-9513	3	Pin-Piston
40	98-9514	6	Circlip-Pin, Piston
50	98-9516	3	Connecting Rod ASM
60	98-9515	3	Bushing-Pin, Piston
70	98-9517	6	Bolt-Rod, Connecting
80	98-9520	3	Bearing-Rod (0.4Mm)
80	98-9519	3	Bearing-Rod (0.2Mm)
80	98-9518	3	Metal-Crankpin (STD)
90	105-3718	1	Crankshaft ASM
100	98-7473	3	Ball
110	98-9532	1	Gear-Crankshaft
120	98-9666	1	Key
130	98-9542	1	Gear-Drive, Oil Pump
140	98-9522	1	Sleeve-Crankshaft

Ref.	Part Number	Qty.	Description
150	98-9520	1	Bearing-Rod (0.4Mm)
160	105-3783	1	O-Ring
170	98-9524	1	Metal-Crankshaft (STD Set)
170	98-9528	1	Bearing-Main (-0.2Mm)
170	98-9529	1	Bearing-Main (0.4Mm)
180	98-9524	2	Metal-Crankshaft (STD Set)
180	98-9530	2	Bearing-Main (0.2Mm)
180	98-9531	2	Bearing-Main (0.4Mm)
190	98-9556	1	Bearing-Main (STD)
190	105-3719	1	Metal-Crankshaft (.2Mm)
190	105-3720	1	Metal-Crankshaft (.4Mm)
200	98-9413	2	Bearing-Thrust (STD)
200	98-9414	2	Bearing-Thrust (0.2Mm)
200	98-9415	2	Bearing-Thrust (0.4Mm)
210	98-9688	2	Bearing-Thrust (STD)
210	98-9689	2	Bearing-Thrust (0.2Mm)
210	98-9690	2	Bearing-Thrust (0.4Mm)



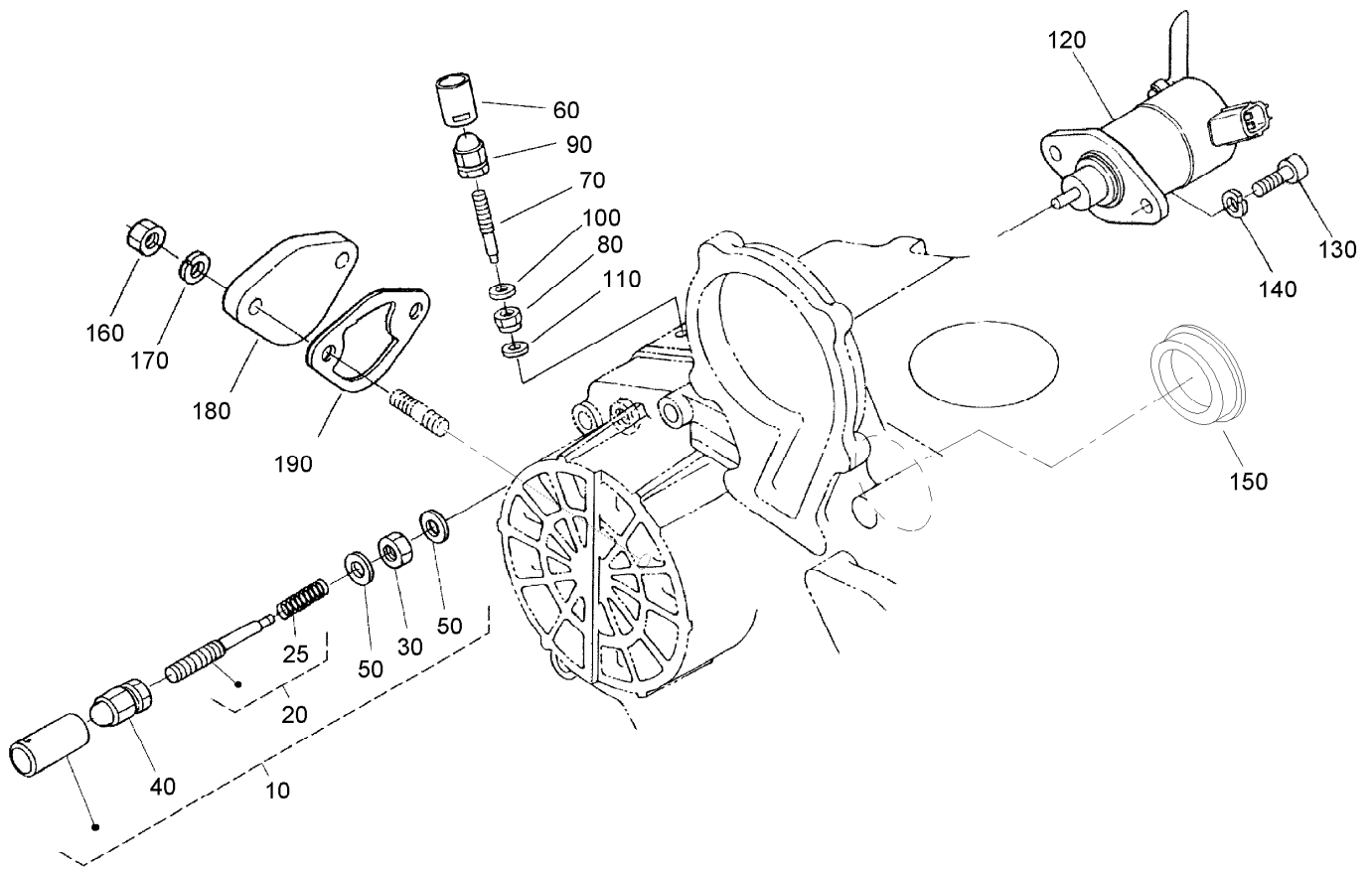
Flywheel Assembly

<i>Ref.</i>	<i>Part Number</i>	<i>Qty.</i>	<i>Description</i>
10	105-3761	1	Pipe-Inlet
20	105-3722	1	Gear-Ring
30	98-9537	6	Bolt-Flywheel
40	98-9486	1	Plate-End, Rear
50	98-9392	8	Bolt



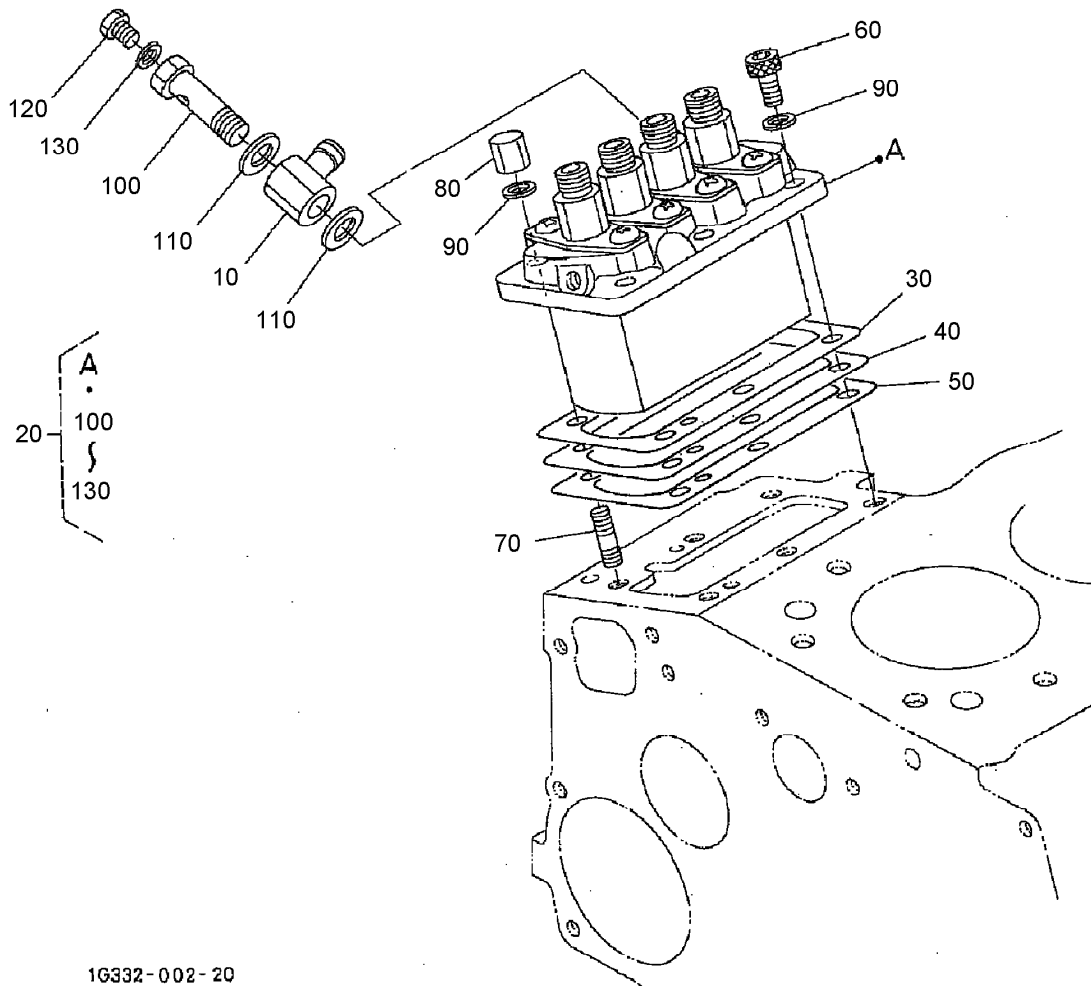
Fuel Camshaft and Governor Shaft Assembly

Ref.	Part Number	Qty.	Description
10	105-3723	1	Camshaft-Fuel
20	107-9077	1	Bearing-Ball
30	107-9078	1	Bearing-Ball
40	98-9590	1	Nut-Cap
50	98-9595	1	Key-Woodruff
60	98-9669	1	Gear-Pump, Injection
70	98-9511	1	Stopper-Fuel, Camshaft
80	98-7692	2	Bolt
90	105-3724	1	Governor Shaft ASM
100	98-9562	1	Holder-Gear, Governor
110	98-9673	1	Gear-Governor
120	98-9561	1	Holder-Weight, Governor
130	98-9559	2	Governor Weight ASM
140	98-9560	2	Shaft-Weight, Governor
145	98-9692	2	Roller
150	98-9563	1	Sleeve-Governor
160	98-9564	1	Washer-Thrust
170	107-9079	1	Bearing-Ball
180	98-9657	1	Circlip-Shaft, Governor
190	98-9565	1	Screw-Set



Idle Apparatus Assembly

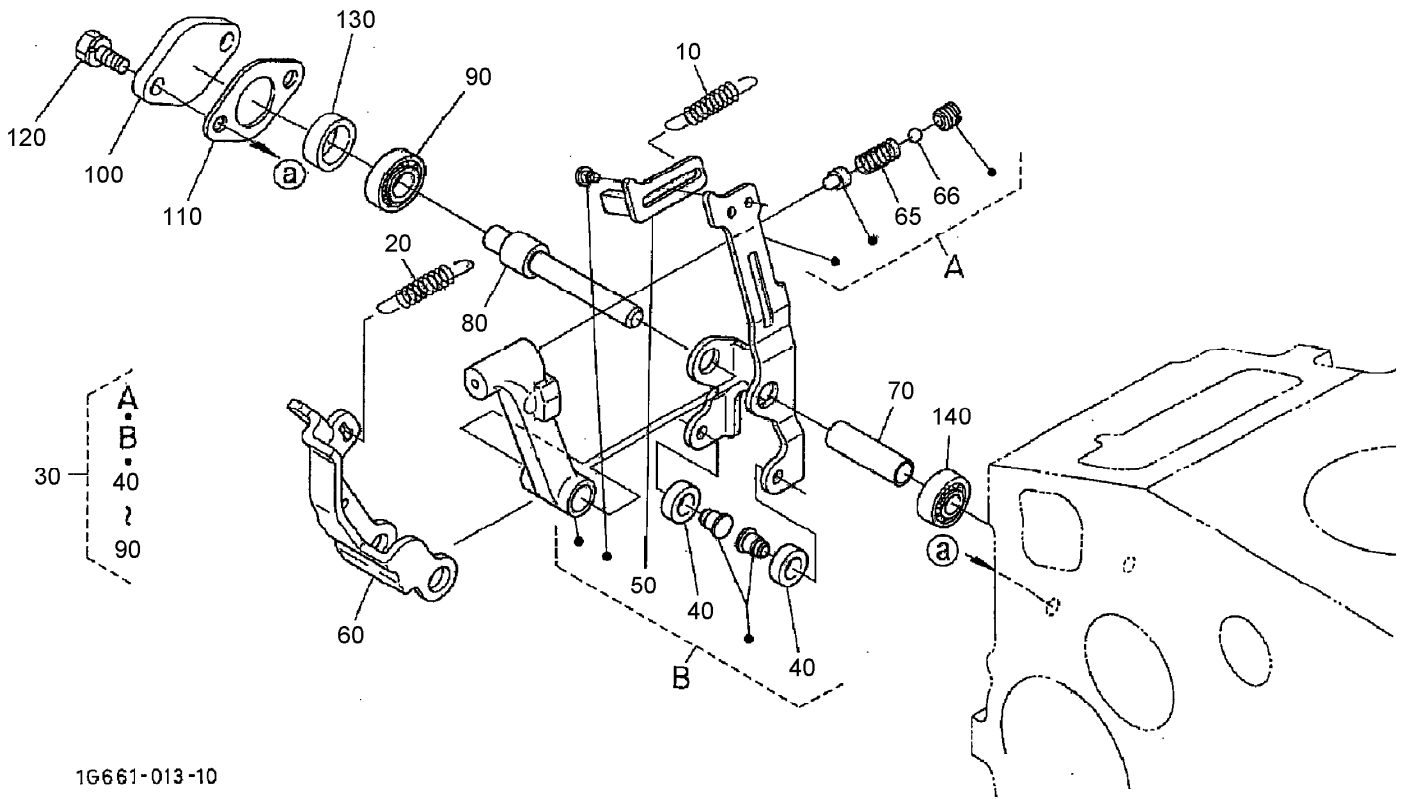
Ref.	Part Number	Qty.	Description
10	98-9678	1	Idle Apparatus ASM
20	98-9679	1	Adjusting Bolt ASM
25	107-9080	1	Spring
30	98-9439	1	Nut
40	99-8387	1	Nut-Cap
50	98-7654	2	Gasket
60	98-7656	1	Cap
70	98-9557	1	Bolt-Adjusting
80	99-3512	1	Nut
90	99-8387	1	Nut-Cap
100	98-7654	1	Gasket
110	107-9081	1	Gasket
120	104-5155	1	Solenoid-Stop
130	105-3799	2	Bolt-HSH
140	98-7699	2	Washer-Spring
150	98-9640	1	Cover-Pump
160	98-7572	2	Nut
170	98-7699	2	Washer-Spring
180	99-3514	1	Cover
190	98-9636	1	Gasket-Pump, Fuel



1G332-002-20

Injection Pump Assembly

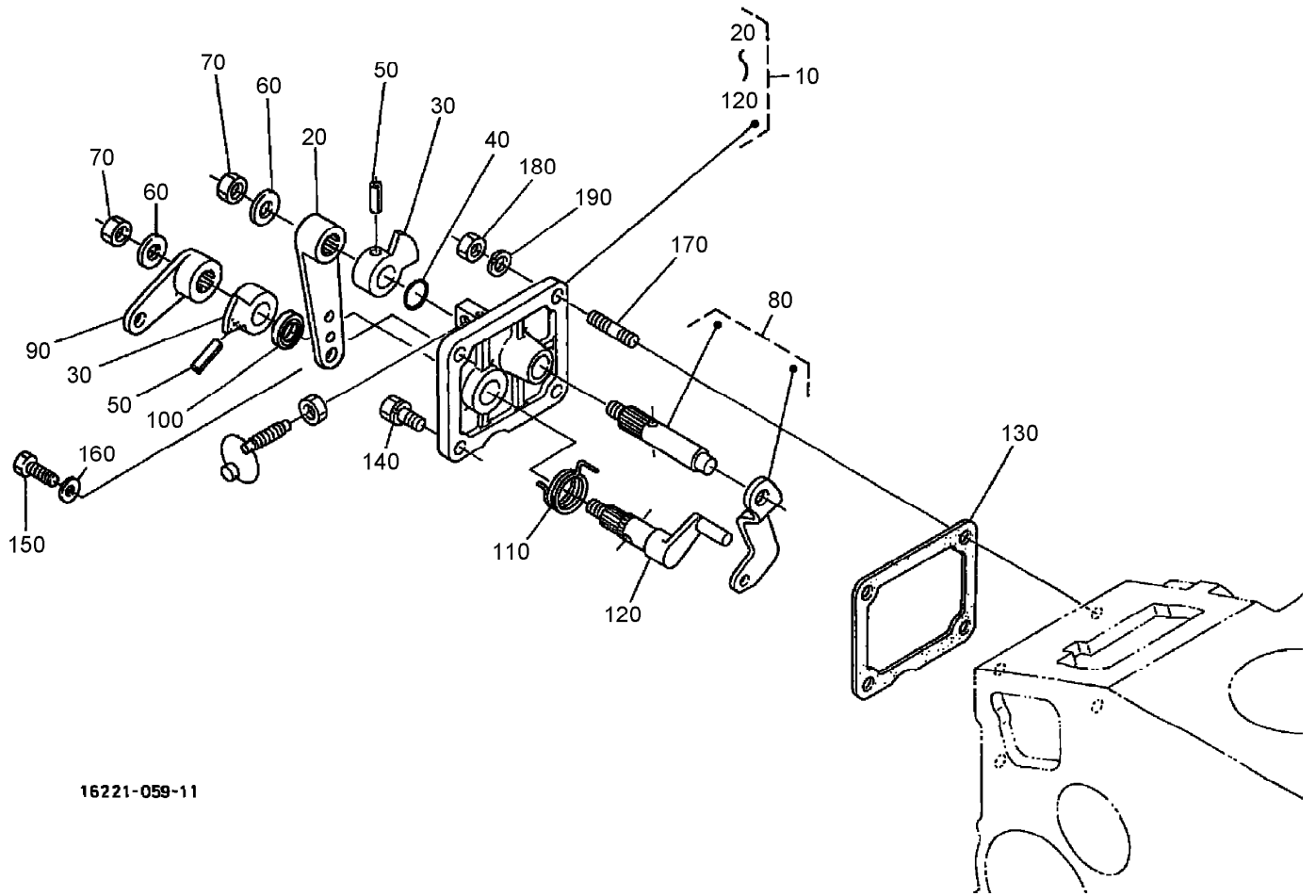
<i>Ref.</i>	<i>Part Number</i>	<i>Qty.</i>	<i>Description</i>
10	98-9596	1	Joint-Eye
20	105-3727	1	Injection Pump ASM
30	105-3728	1	Shim-Pump, Injection (.20Mm)
40	105-3729	1	Shim-Pump, Injection (.25Mm)
50	105-3730	1	Shim-Pump, Injection (.30Mm)
60	98-9361	3	Bolt-HSH
70	98-9438	3	Stud
80	98-9440	3	Nut-Cap
90	98-7699	6	Washer-Spring
100	98-9464	1	Bolt-Joint
110	98-9445	2	Gasket
120	98-9430	1	Screw
130	98-9446	1	Gasket



1G661-013-10

Governor Assembly

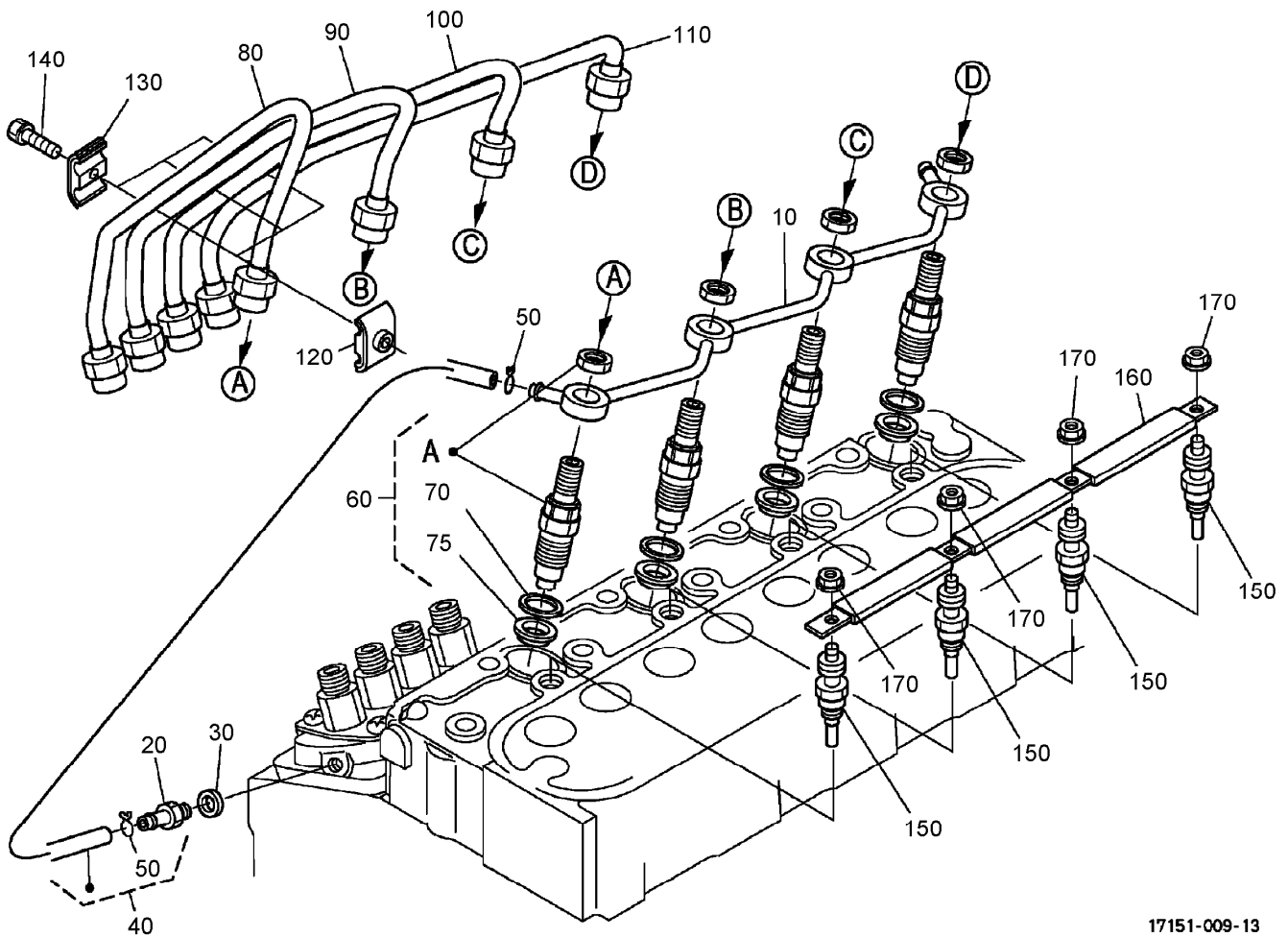
Ref.	Part Number	Qty.	Description
10	105-3741	1	Spring-Start
20	98-9681	1	Spring-Governor
30	107-9082	1	Fork Lever ASM
40	98-9692	2	Roller
50	107-9083	1	Lever-Thrust
60	107-9084	1	Lever-Fork
65	108-2867	1	Spring
66	98-7580	2	Ball
70	107-9085	1	Shaft-Lever, Fork
80	107-9086	1	Shaft-Lever, Fork
90	98-9570	1	Bearing-Miniaturize
100	98-9569	1	Cover-Shaft, Fork Lever
110	98-9682	1	Gasket
120	98-9351	2	Bolt
130	98-9567	1	Collar
140	98-9571	1	Bearing-Miniaturize



16221-059-11

Speed Control Plate Assembly

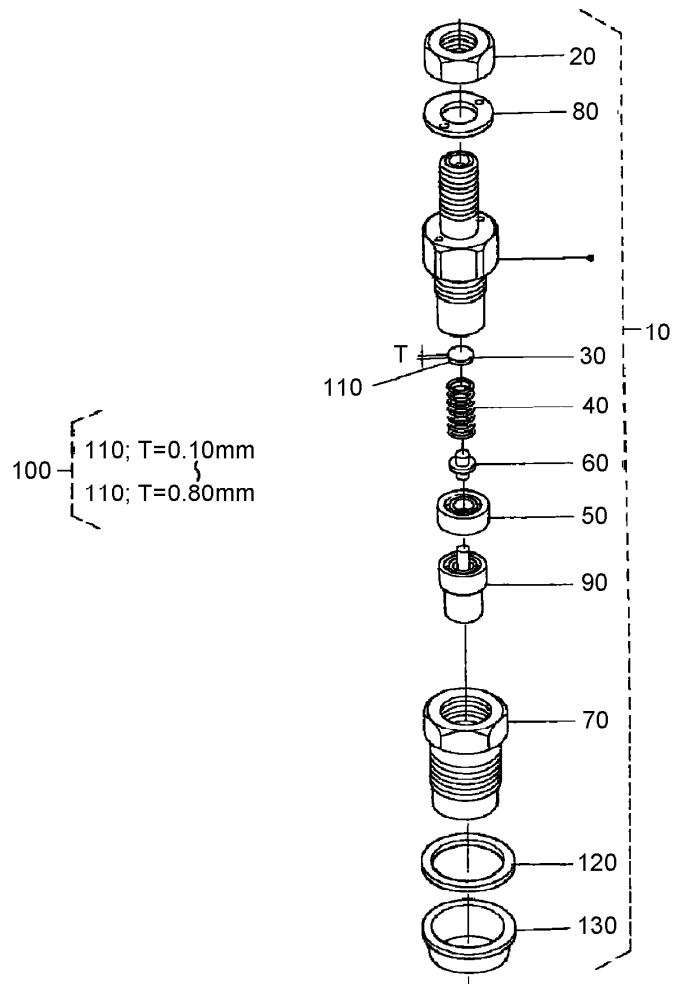
Ref.	Part Number	Qty.	Description
10	105-3735	1	Control Plate ASM
20	98-9662	1	Lever-Control, Speed
30	98-9572	2	Lever-Control, Speed
40	105-3788	1	O-Ring
50	98-7602	2	Pin-Spring
60	98-9594	2	Washer-Plain
70	98-9589	2	Nut
80	98-9658	1	Governor Lever ASM
90	98-9663	1	Lever-Stop, Engine
100	98-7601	1	Seal-Oil
110	98-9472	1	Spring-Return
120	98-9664	1	Shaft-Lever, Stop
130	98-9637	1	Gasket
140	98-7692	1	Bolt
150	99-8348	1	Bolt
160	98-7654	2	Gasket
170	105-3710	2	Stud
180	98-7572	2	Nut
190	98-7699	2	Washer-Spring



17151-009-13

Nozzle Holder and Glow Plug Assembly

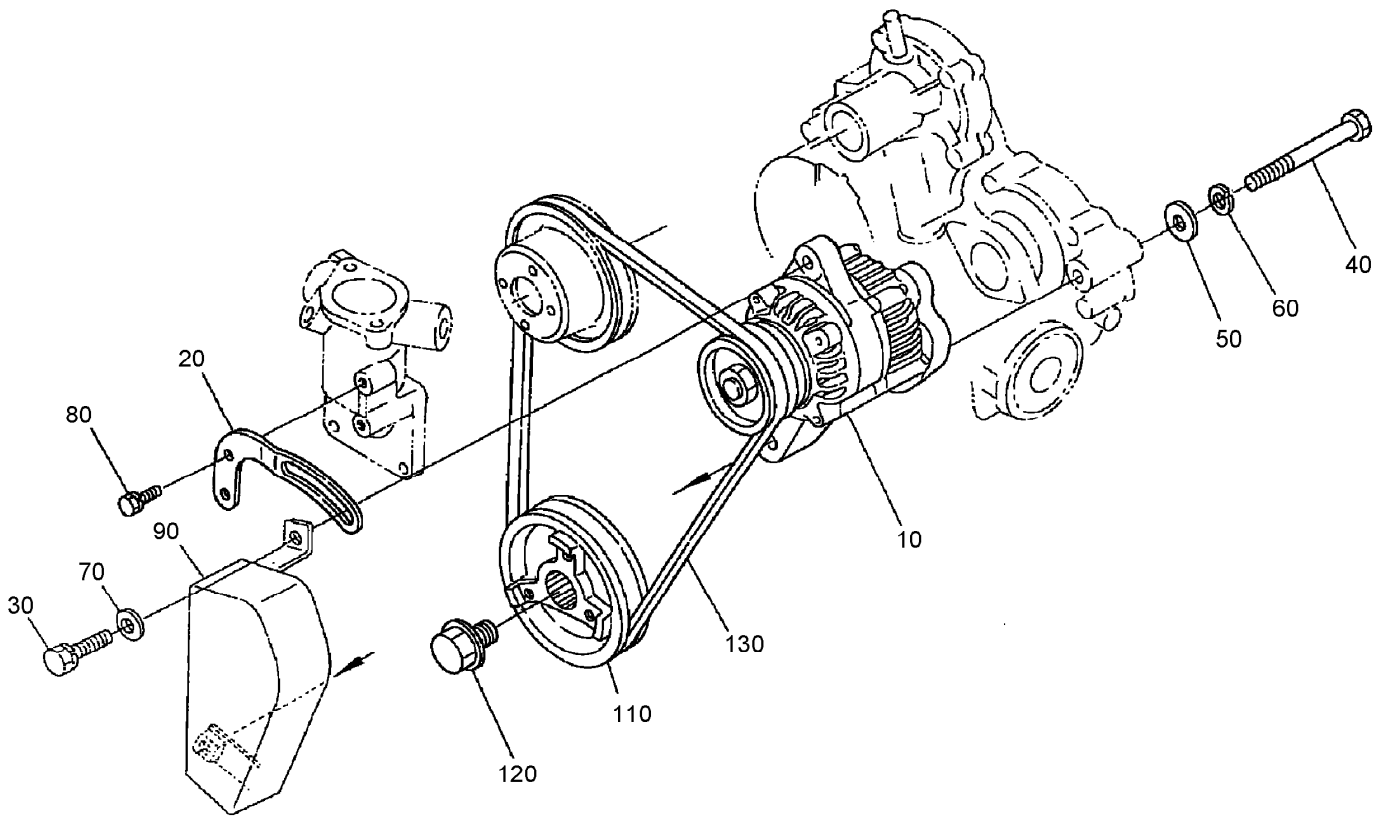
Ref.	Part Number	Qty.	Description
10	105-3737	1	Over Flow Pipe ASM
20	98-9431	1	Screw-Bleeder, Air
30	98-7654	1	Gasket
40	98-9420	1	Overflow Pipe ASM
50	98-7671	2	Clip-Pipe
60	108-2866	4	Nozzle Holder Kit
70	98-7676	4	Gasket
75	98-7677	4	Seal-Heat
80	98-9653	1	Pipe-Injection
90	98-9654	1	Pipe-Injection
100	98-9655	1	Pipe-Injection
110	105-3738	1	Pipe-Injection
120	98-7682	3	Clamp-Pipe
130	98-7683	3	Clamp-Pipe
140	98-7684	3	Screw (W/Washer)
150	98-9695	4	Plug-Glow
160	105-3739	1	Cord-Plug, Glow
170	99-8377	4	Nut-Flange



1G347-015-10

Nozzle Holder (Component Parts) Assembly

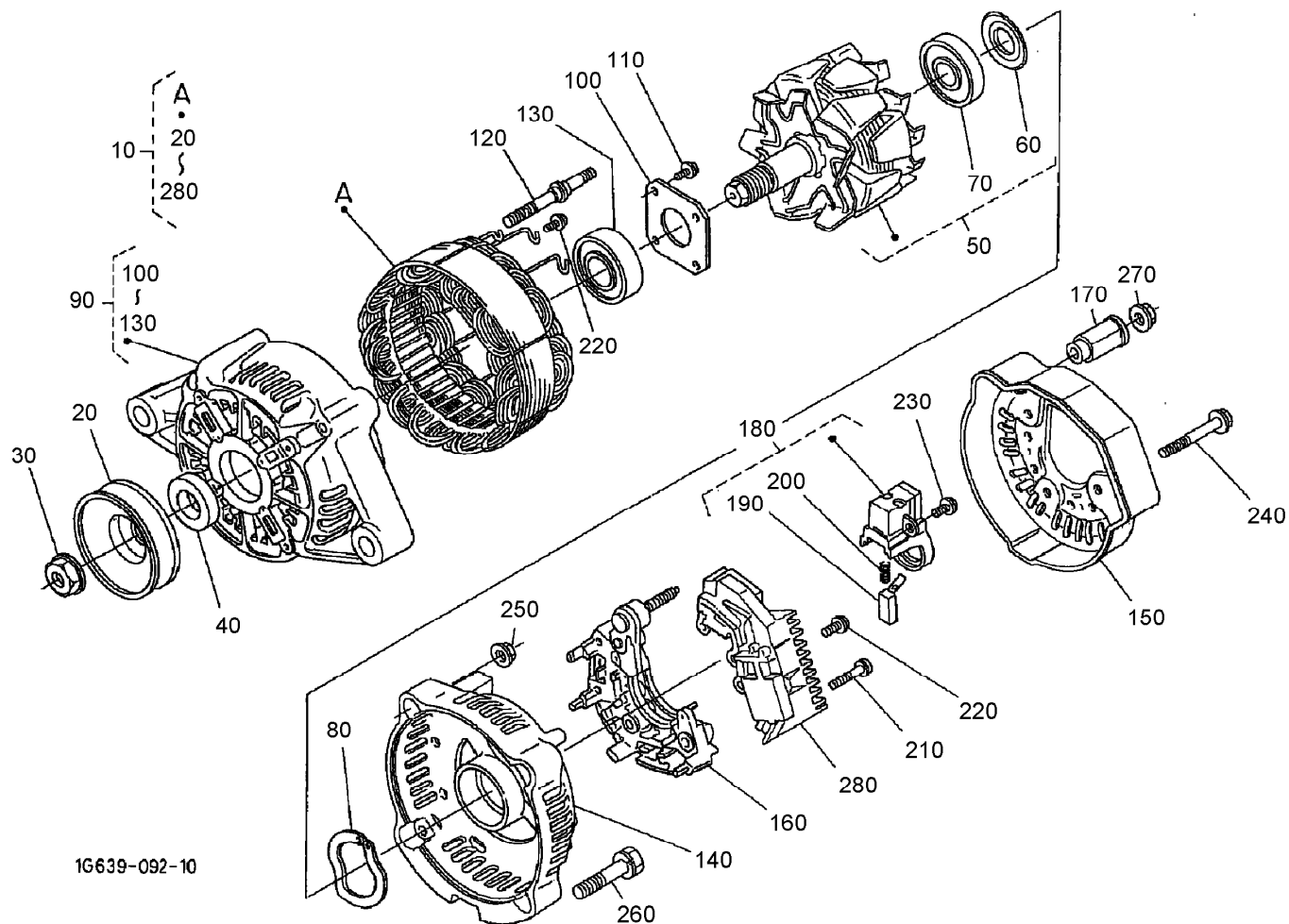
Ref.	Part Number	Qty.	Description
10	108-2866	3	Nozzle Holder Kit
20	99-8301	3	Nut
30	99-8302	3	Washer-Adjusting
40	99-8303	3	Spring-Nozzle
50	99-8304	3	Spacer-Distance
60	99-8305	3	Rod-Push
70	99-8306	3	Nut-Nozzle
80	99-8307	3	Washer-Plain
90	99-8308	3	Piece-Nozzle
100	99-8309	3	Adjusting Washer ASM
110	99-8310	3	Washer-Adjust (0.10Mm)
110	99-8311	3	Washer-Adjust (0.20Mm)
110	99-8312	3	Washer-Adjust (0.30Mm)
110	99-8313	3	Washer-Adjust (0.40Mm)
110	99-8314	3	Washer-Adjust (0.50Mm)
110	99-8315	3	Washer-Adjust (0.52Mm)
110	99-8316	3	Washer-Adjust (0.54Mm)
110	99-8317	3	Washer-Adjust (0.56Mm)
110	99-8318	3	Washer-Adjust (0.58Mm)
110	99-8319	3	Washer-Adjust (0.80Mm)
120	98-7676	3	Gasket
130	98-7677	3	Seal-Heat



1G299-140-10

Alternator and Pulley Assembly

<i>Ref.</i>	<i>Part Number</i>	<i>Qty.</i>	<i>Description</i>
10	98-9474	1	Alternator ASM
20	98-9573	1	Stay-Dynamo
30	98-7697	1	Bolt
40	98-9360	1	Bolt
50	3256-24	1	Washer-Flat
60	98-7738	1	Washer-Spring
70	100-9233	1	Washer-Plain
80	98-7692	1	Bolt
90	108-2868	1	Cover-Belt
110	105-3745	1	Pulley-Drive, Fan
120	98-9585	1	Bolt
130	98-9676	1	V-Belt

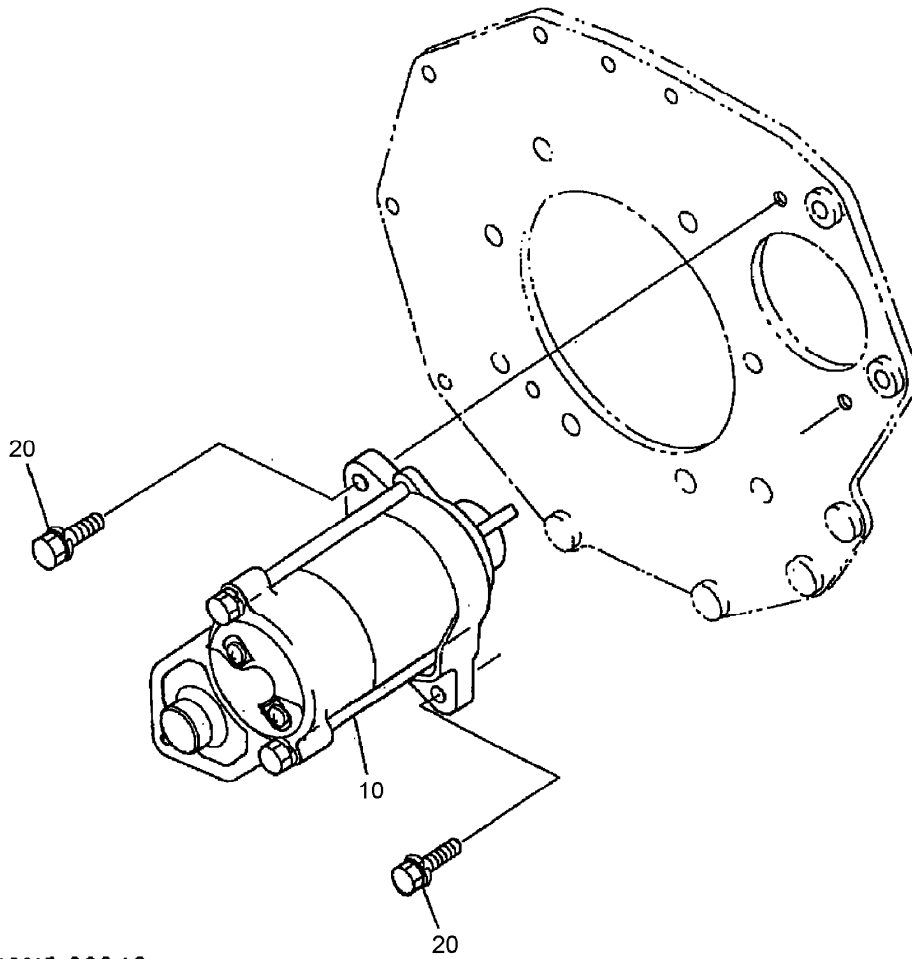


1G639-092-10

Alternator (Component Part) Assembly

Ref.	Part Number	Qty.	Description
10	98-9474	1	Alternator ASM
20	98-9453	1	Pulley-Dynamo
30	98-7708	1	Nut
40	98-7709	1	Collar
50	107-0136	1	Rotor ASM
60	98-7711	1	Cover-Bearing
70	107-0138	1	Bearing-Ball
80	98-7713	1	Washer-Thrust
90	107-0139	1	Drive End Frame ASM
100	98-7715	1	Plate-Retainer
110	98-7716	4	Screw-Head, Round
120	98-7717	2	Bolt-Through
130	107-0137	1	Bearing-Ball
140	107-9087	1	Frame-End

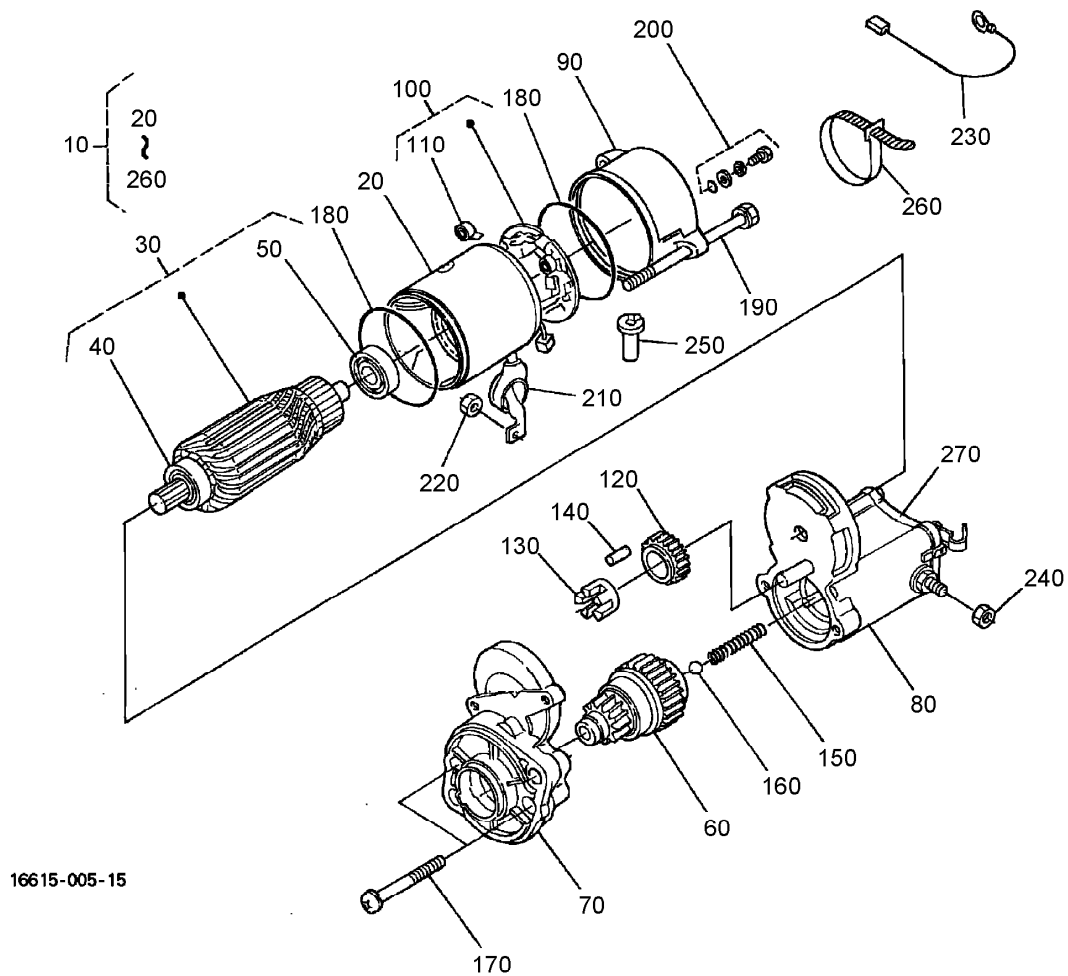
Ref.	Part Number	Qty.	Description
150	107-0140	1	Cover-End
160	98-9476	1	Rectifier ASM
170	98-7722	1	Bushing-Insulation
180	107-0141	1	Brush Holder ASM
190	98-7724	2	Brush
200	98-7725	2	Spring-Brush
210	98-7726	2	Screw-Head, Round
220	98-7727	6	Screw-Head, Round
230	98-7728	1	Screw-Head, Round
240	98-7729	3	Bolt
250	98-7730	2	Nut
260	98-7731	2	Bolt
270	98-7732	1	Nut
280	107-9088	1	Regulator ASM



16615-008-10

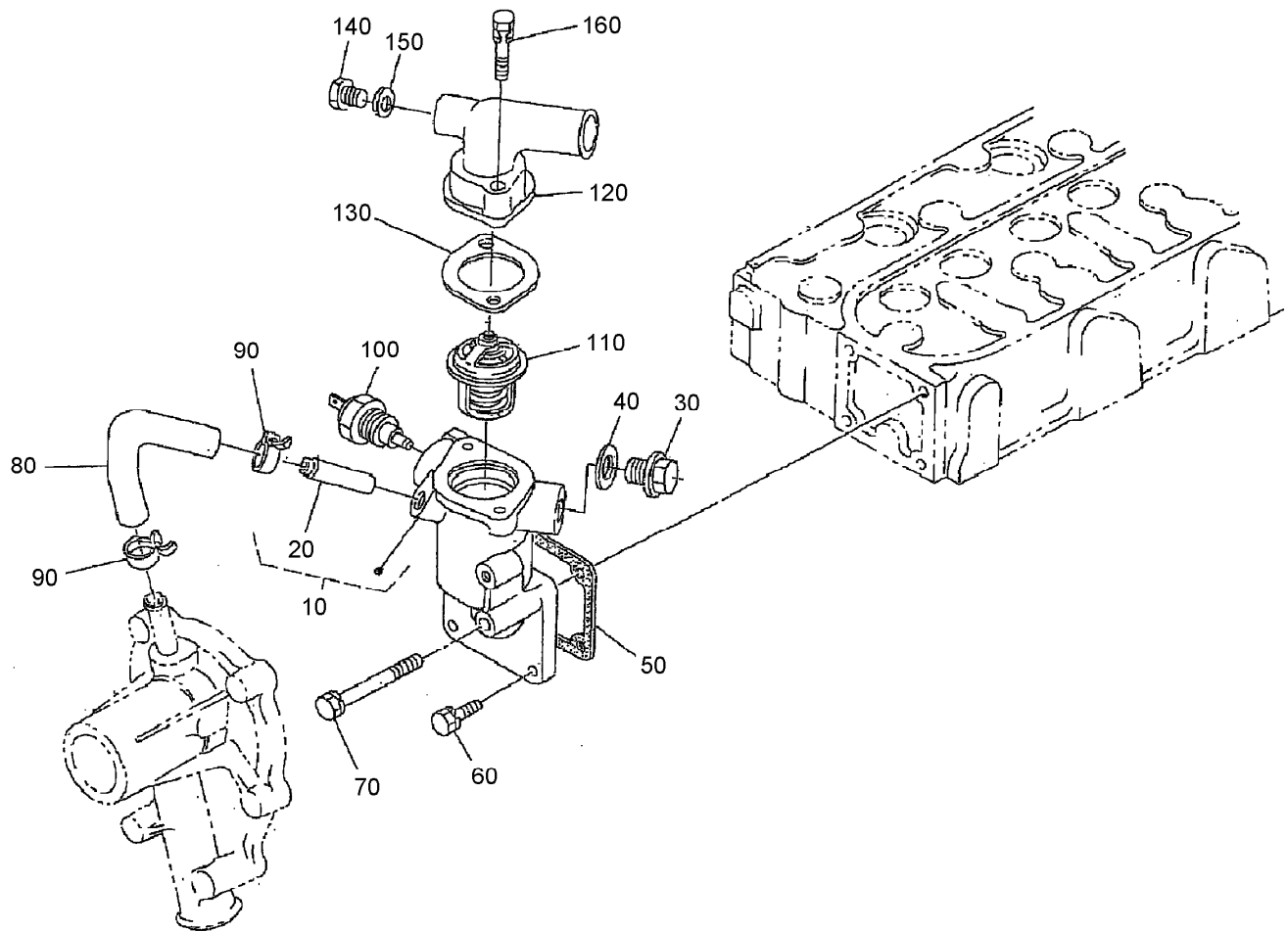
Starter Assembly

<i>Ref.</i>	<i>Part Number</i>	<i>Qty.</i>	<i>Description</i>
10	98-9705	1	Starter ASM
20	98-7697	2	Bolt



Starter (Component Part) Assembly

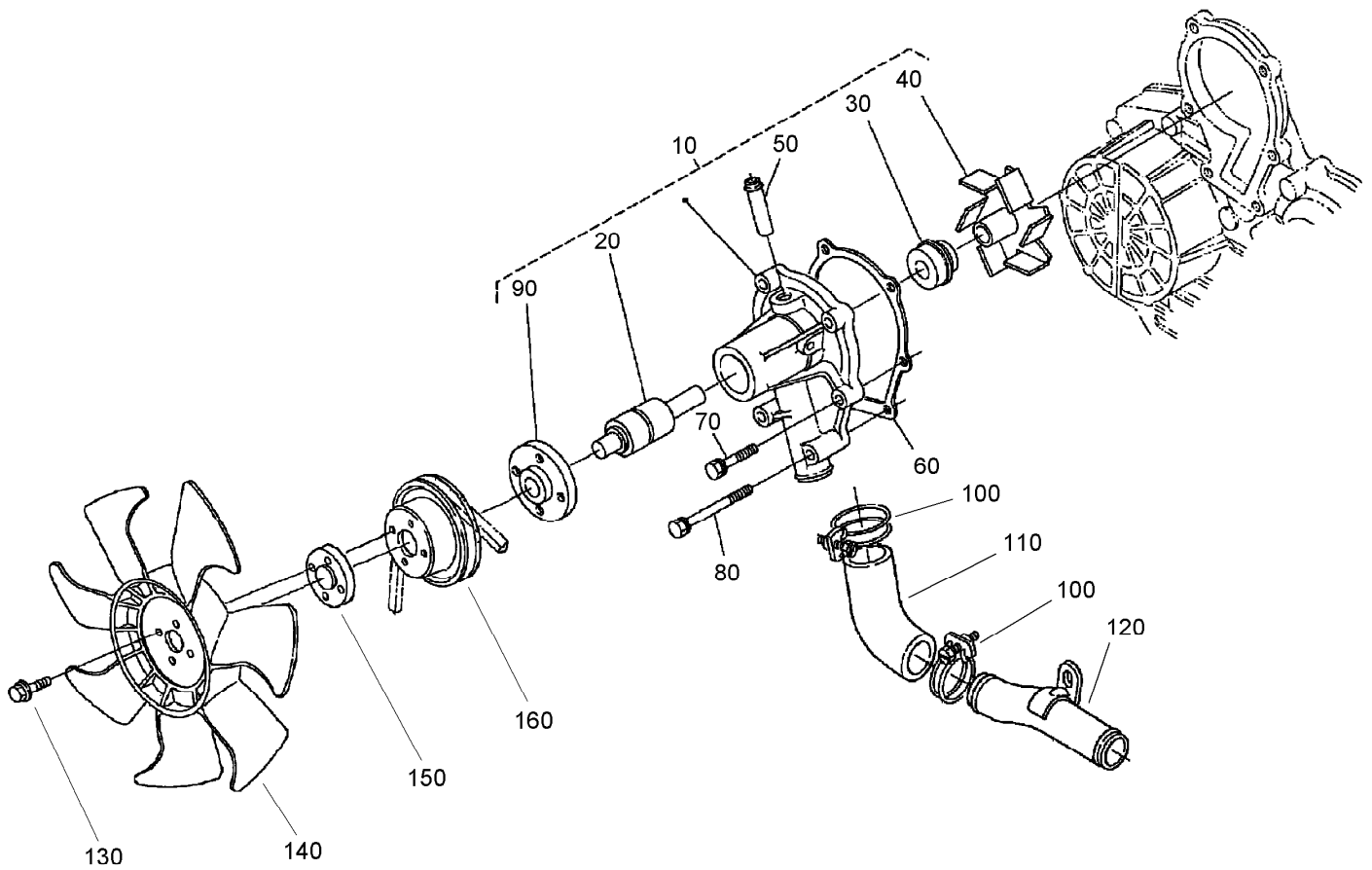
<i>Ref.</i>	<i>Part Number</i>	<i>Qty.</i>	<i>Description</i>	<i>Ref.</i>	<i>Part Number</i>	<i>Qty.</i>	<i>Description</i>
10	98-9705	1	Starter ASM	150	98-7754	1	Spring
20	104-8608	1	Yoke ASM	160	98-7755	1	Ball
30	98-7742	1	Armature ASM	170	98-7756	2	Bolt
40	98-7744	1	Bearing	180	98-7757	2	O-Ring
50	98-7743	1	Bearing	190	100-9240	2	Bolt
60	99-8373	1	Clutch-Running, Over	200	98-7758	2	Bolt ASM
70	99-8374	1	Frame-End, Drive	210	99-8375	1	Cover
80	105-3746	1	Magnetic Switch ASM	220	99-8371	1	Nut-Hex
90	98-7748	1	Frame-End	230	98-9711	1	Cord-Solenoid, Stop
100	98-7749	1	Brush Holder ASM	240	99-8376	1	Nut-Hex
110	98-7750	4	Spring-Brush	250	98-7759	1	Pipe-Drain
120	98-7751	1	Gear	260	98-9712	1	Band-Cover
130	98-7752	1	Retainer	270	105-2886	1	Cover ASM
140	98-7753	5	Roller				



1G994-019-10

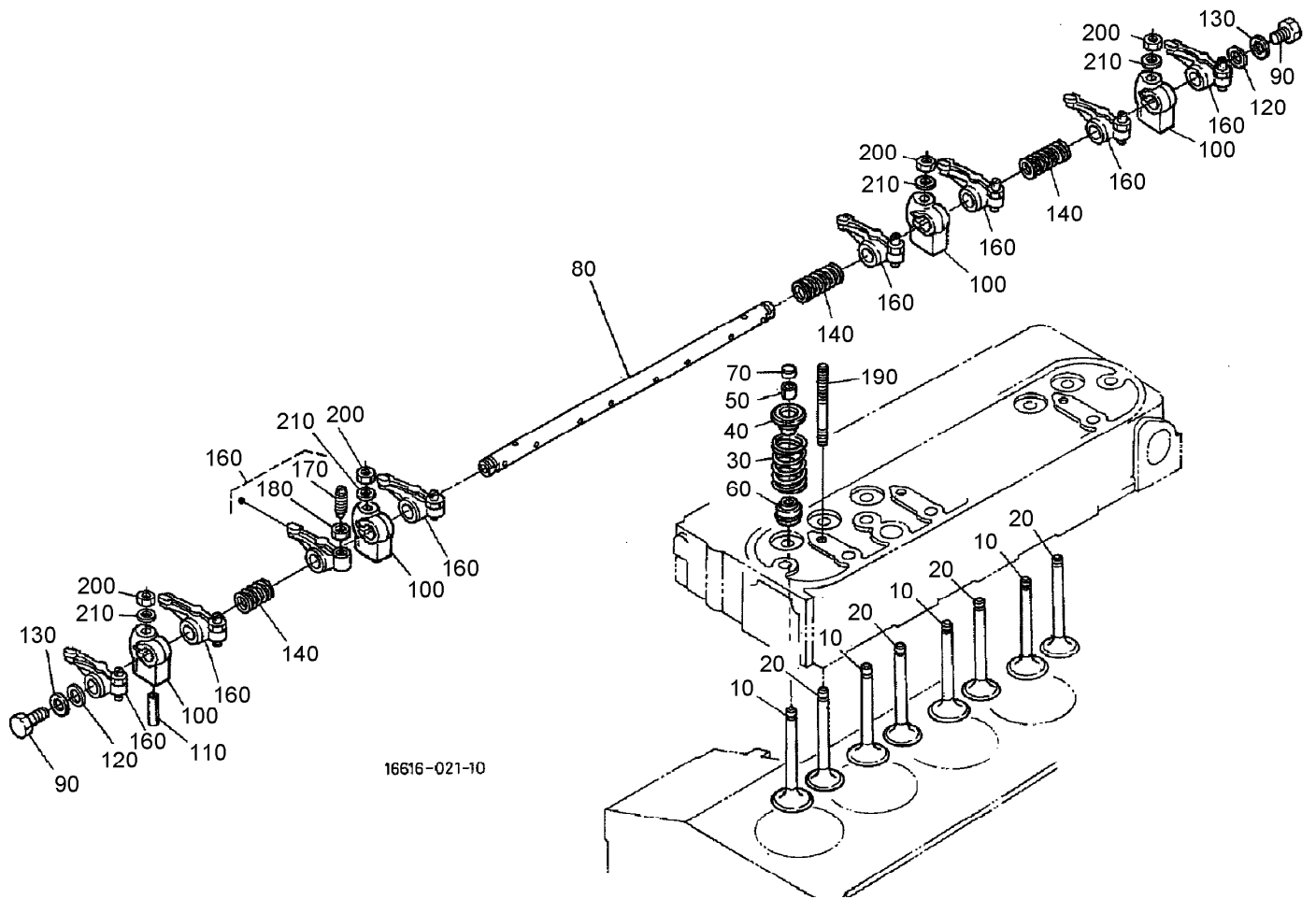
Water Flange and Thermostat Assembly

<i>Ref.</i>	<i>Part Number</i>	<i>Qty.</i>	<i>Description</i>
10	98-9713	1	Water Flange ASM
20	98-9580	1	Pipe-Return, Water
30	105-3747	1	Plug
40	99-3583	1	Gasket
50	98-9638	1	Gasket-Flange, Water
60	98-7692	3	Bolt
70	98-9356	1	Bolt
80	98-9578	1	Pipe-Return, Water
90	98-9579	2	Band-Pipe
100	98-9719	1	Thermoswitch
110	98-7778	1	Thermostat ASM
120	108-2869	1	Cover-Thermostat
130	105-3748	1	Gasket-Thermostat
140	108-2870	1	Plug-Drain
150	100-9155	1	Gasket
160	98-7777	2	Bolt



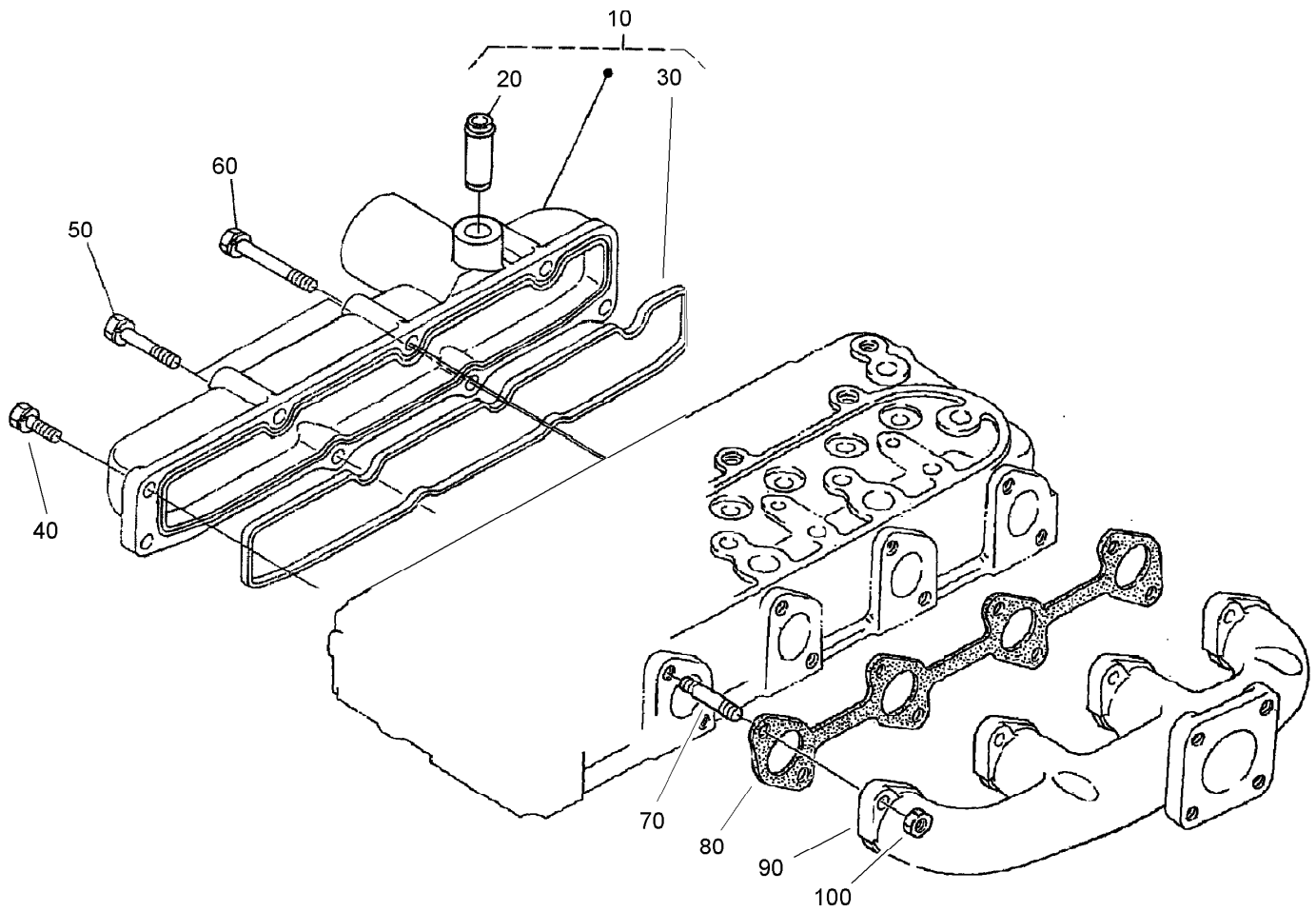
Water Pump Assembly

<i>Ref.</i>	<i>Part Number</i>	<i>Qty.</i>	<i>Description</i>
10	107-9089	1	Water Pump ASM
20	99-3517	1	Bearing-Pump, Water
30	105-3750	1	Mechanical Seal ASM
40	99-3519	1	Impeller-Pump, Water
50	98-9577	1	Pipe-Return, Water
60	99-3454	1	Gasket-Pump, Water
70	98-9353	4	Bolt
80	107-9090	2	Bolt
90	99-3516	4	Flange-Pump, Water
100	98-9717	2	Clamp
110	107-9091	1	Pipe-Water
120	98-9716	1	Pipe-Water
130	108-2873	4	Bolt-Flange
140	108-2871	1	Fan
150	108-2872	1	Collar-Fan
160	98-9584	1	Pulley-Fan



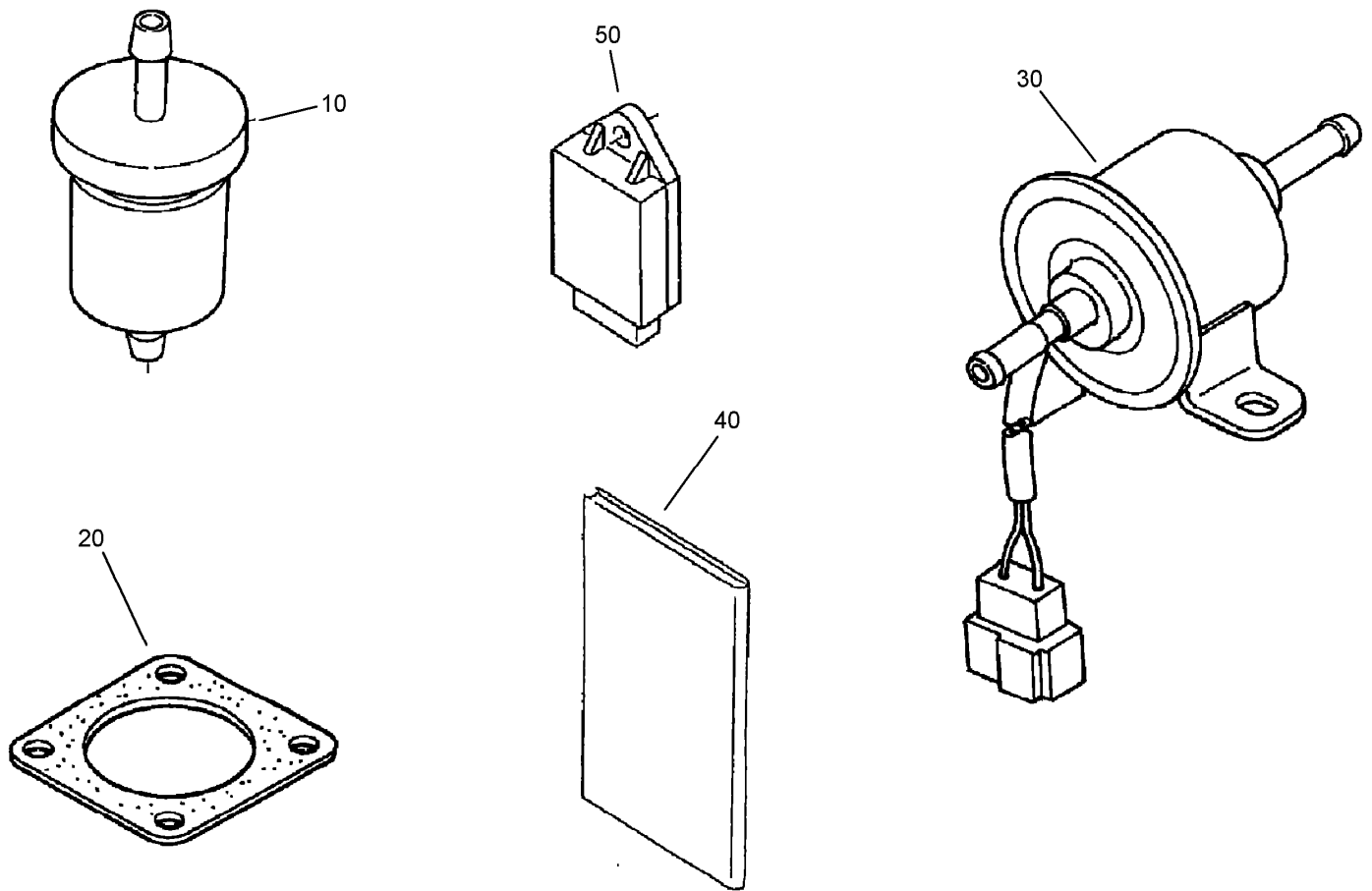
Valve and Rocker Arm Assembly

Ref.	Part Number	Qty.	Description
10	98-9494	3	Valve-Inlet
20	98-9495	3	Valve-Exhaust
30	98-9648	6	Spring-Valve
40	107-9092	6	Retainer-Spring
50	98-9390	6	Collet-Spring, Valve
60	99-8385	6	Seal-Stem, Valve
70	98-9497	6	Cap-Valve
80	105-3790	1	R-Arm Shaft ASM
90	100-9265	2	Bolt
100	98-9505	3	Bracket-Arm, Rocker
110	105-3758	1	Pin-Spring
120	98-9507	2	Washer-Shaft, R-Arm
130	3256-1	2	Washer-Flat
140	98-9504	2	Spring-Arm, Rocker
160	98-9501	6	Rocker Arm ASM
170	98-9502	6	Screw-Adjusting
180	98-9503	6	Nut
190	98-9506	3	Stud
200	98-9393	3	Nut
210	98-9385	3	Washer-Flat



Inlet Manifold Assembly

<i>Ref.</i>	<i>Part Number</i>	<i>Qty.</i>	<i>Description</i>
10	108-2874	1	Intake Manifold ASM
20	98-9492	1	Joint-Pipe, Breather
30	105-3760	1	Gasket-Manifold, Intake
40	98-7605	3	Bolt
50	98-9353	1	Bolt
60	105-3797	2	Bolt
70	98-9588	6	Stud
80	105-3765	1	Gasket-Manifold, Exhaust
90	108-2875	1	Manifold-Exhaust
100	98-9665	6	Nut



Fuel Filter, Pump and Miscellaneous Parts Assembly

<i>Ref.</i>	<i>Part Number</i>	<i>Qty.</i>	<i>Description</i>
10	98-7612	1	Filter-Fuel
20	98-9611	1	Gasket
30	107-0122	1	Pump-Fuel, Electric
40	99-8954	1	Manual-Kubota
50	98-7611	1	Controller-Glow

Attachments and Accessories

For 41581 Multi-Pro 5700-D Turf Sprayer

Product Name	Model/Part
Speedometer Kit.....	106-4839
Turf Sprayer Kit (CE)	106-4841
Heat Shield Blanket Kit.....	106-4843
Pro Control Spray System	41086
Sonic Boom	41089
Pro Foam Concentrate (4 x 1 Gallon)	41157
Foam Marker Kit	41228
Enclosed Boom	41355
Enclosed Walking Boom.....	41358
Enclosed Walking Boom Trailer	41359
Mounting Kit for Enclosed Boom.....	41360
Roll-Over Protection System	41566
Electric Hose Reel Kit	41569
Spray Gun Kit	41580
Pro-Foam.....	41607

Notes:

Notes:

Notes:



Count on it.