



**Count on it.**

**Parts Catalog**

**Reelmaster® 5200-D**

**2-Wheel Drive**

Model No. 03540—Serial No. 240000501 and Up



# Ordering Replacement Parts

To order replacement parts, please supply the part number, the quantity, and the description of each part desired.

## Understanding Reference Numbers

Each identified part in an illustration has a reference number. The reference number for a part also appears in the parts list, along with other information about the part.

This catalog uses two special reference number formats, one to indicate parts in a service assembly and another to indicate the quantity of a given part in an illustration.

## Service Assembly Reference Numbers

Parts in service assemblies have reference numbers in the form a:b. The a represents the reference number of the entire service assembly and the b represents a sequential number unique to each part within the service assembly.

For example, a wheel assembly might be identified by reference number 6, the tire by 6:1, the valve by 6:2, and the wheel by 6:3. When you order the assembly identified by reference number 6, you receive all parts identified by reference numbers 6:1, 6:2, and 6:3. However, you may also order any part individually. Reference numbers of this type appear in illustration and in parts lists.

## Reference Numbers Indicating Quantity

In an illustration, if a reference number indicates more than one part, the reference number has the form nX y. The n represents the quantity of the part, the X is the multiplication symbol, and the y represents the reference number.

For example, in an illustration, the reference number 2X 37 means that two of the parts identified by reference number 37 are indicated.

# List of Abbreviations

**AR:** as required

**ASM:** assembly

**BBC:** blade brake control

**BHTF:** button head thread forming

**CARR:** carriage

**CCW:** counter clockwise

**CW:** clockwise

**DEG:** degrees

**DPA:** Dual Point Adjustment

**ECM:** electronic control module

**EXT:** external

**FH:** flat head

**GA:** gauge

**HD:** heavy-duty

**HF:** hex flange

**HH:** hex head

**HHF:** hex head flange

**HHFTF:** hex head flange thread forming

**HJ:** hex jam

**HLH:** hex lag head

**HOC:** height-of-cut

**HP:** high pressure

**HSBH:** hex socket button head

**HSFH:** hex socket flat head

**HSH:** hex socket head

**HWH:** hex washer head

**HWHTF:** hex washer head thread forming

**HYD:** hydraulic

**LH:** left hand

**LP:** low pressure

**LPG:** Liquefied Petroleum Gas

**NI:** nylon insert

**NPTF:** national pipe thread fine

**PFH:** phillips flat head

**PPH:** phillips pan head

**PPHTF:** phillips pan head thread forming

**PRH:** phillips round head

**PTH:** phillips truss head

**PTO:** power-take-off

**RH:** right hand

**ROPS:** roll-over protection system

**RRB:** rear roller brush

**SFH:** slotted fillister head

**SHH:** slotted hex head

**SHWH:** slotted hex washer head

**SPH:** slotted pan head

**SQH:** square head

**SRH:** slotted round head

**STD:** standard

**TAP:** self tapping

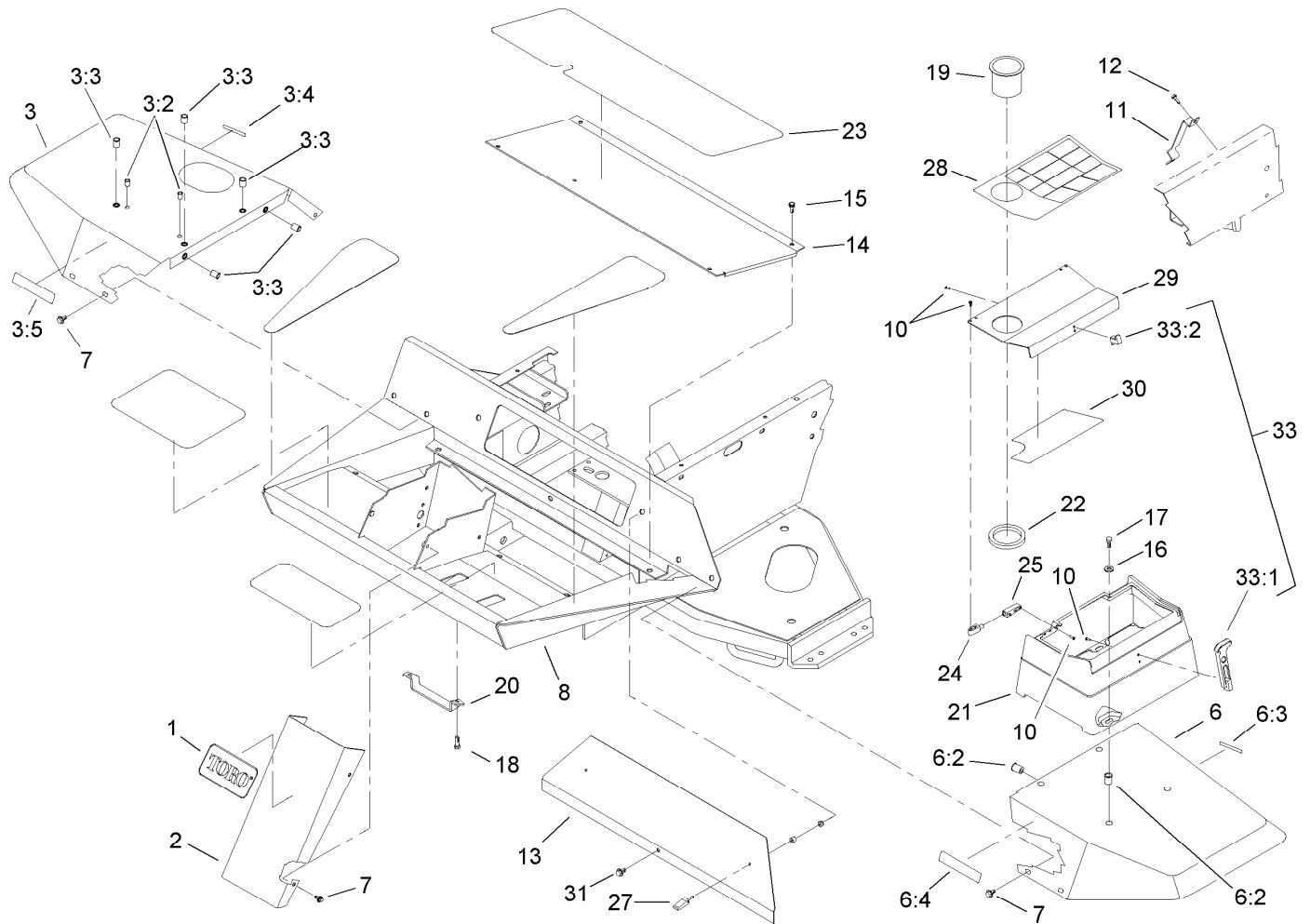
**TTH:** torx truss head

# Contents

|  |    |
|--|----|
| Frame and Body Assembly                    | 5  |
| Frame Assembly No. 107-1840                | 6  |
| Steering Tower Assembly                    | 7  |
| Power Steering Unit No. 75-0600            | 8  |
| Traction and Brake Pedal Assembly          | 9  |
| Seat Frame and Throttle Assembly           | 10 |
| Seat and Suspension Assembly               | 11 |
| Seat Suspension Assembly No. 76-1970       | 12 |
| Suspension Assembly No. 106-8085           | 13 |
| Control Console Assembly                   | 14 |
| Hydraulic Filter and Reservoir Assembly    | 16 |
| Fuel Tank Assembly                         | 17 |
| Front Axle Assembly                        | 18 |
| Drive Axle Assembly No. 108-0640-03        | 19 |
| Brake Assembly                             | 21 |
| Transmission Assembly                      | 22 |
| Transmission Assembly No. 75-0012          | 23 |
| Traction Control Assembly                  | 24 |
| Gear Pump Installation Assembly            | 25 |
| Gear Pump Assembly No. 107-2380            | 26 |
| Engine Installation Assembly               | 27 |
| Muffler and Pump Drive Assembly            | 28 |
| Engine Components Assembly                 | 29 |
| Air Cleaner Assembly No. 98-4517           | 30 |
| Water and Fuel Filter Assembly No. 98-9305 | 31 |
| Fan Drive Assembly                         | 32 |
| Radiator Assembly                          | 33 |
| Oil Cooler and Radiator Assembly           | 34 |
| Hood Assembly                              | 35 |
| Hydraulic Control Block and Hoses Assembly | 36 |
| Hydraulic Manifold Assembly No. 98-4579    | 37 |
| Front Hydraulic Manifold Assembly          | 38 |
| Rear Hydraulic Manifold Assembly           | 39 |
| Reel Motor Assembly                        | 40 |
| Hydraulic Motor Assembly No. 100-6426      | 41 |
| Front Lift Circuit Assembly                | 42 |
| Hydraulic Cylinder Assembly No. 93-9310    | 43 |
| Hydraulic Cylinder Assembly No. 99-6986    | 44 |
| Front Lift Arm Assembly                    | 45 |
| Rear Lift Circuit Assembly                 | 46 |
| Hydraulic Cylinder Assembly No. 93-9311    | 47 |
| Rear Lift Arm Assembly                     | 48 |
| Rear Axle Support Assembly                 | 49 |
| 2 Wheel Drive Axle Assembly                | 50 |
| Rear Axle Assembly                         | 51 |
| Hydraulic Cylinder Assembly No. 75-1200    | 52 |
| Crankcase Assembly                         | 53 |
| Oil Pan Assembly                           | 54 |
| Cylinder Head Assembly                     | 55 |
| Gear Case Assembly                         | 56 |
| Head Cover Assembly                        | 57 |
| Dipstick and Guide Assembly                | 58 |
| Main Bearing Case Assembly                 | 59 |
| Camshaft And Idle Gear Shaft Assembly      | 60 |

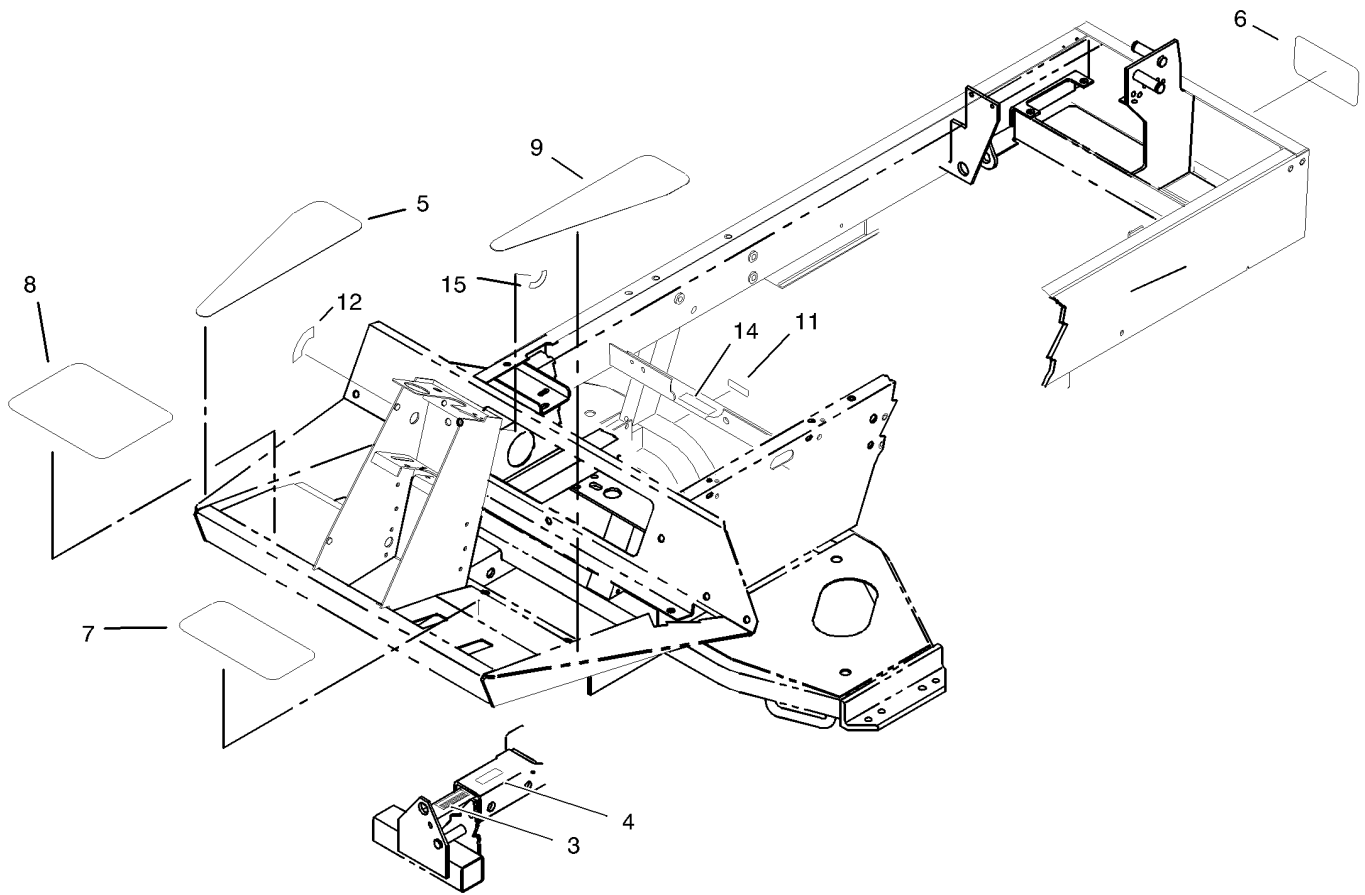
# Contents (continued)

|  |    |
|--|----|
| Piston and Crankshaft Assembly .....                           | 61 |
| Flywheel Assembly .....  | 62 |
| Fuel Camshaft and Governor Shaft Assembly .....                | 63 |
| Idle Apparatus Assembly .....                                  | 64 |
| Injection Pump Assembly .....                                  | 65 |
| Governor Assembly .....  | 66 |
| Speed Control Plate Assembly .....                             | 67 |
| Nozzle Holder and Glow Plug Assembly .....                     | 68 |
| Nozzle Holder (Component Parts) Assembly .....                 | 69 |
| Alternator and Pulley Assembly .....                           | 70 |
| Alternator (Component Parts) Assembly .....                    | 71 |
| Starter Assembly .....   | 72 |
| Starter (Component Parts) Assembly .....                       | 73 |
| Water Flange and Thermostat Assembly .....                     | 74 |
| Water Pump Assembly .....                                      | 75 |
| Valve and Rocker Arm Assembly .....                            | 76 |
| Inlet Manifold Assembly .....                                  | 77 |
| Fuel Filter and Pump, Muffler Gasket and Operator Manual ..... | 78 |
| Gasket Kit .....   | 79 |



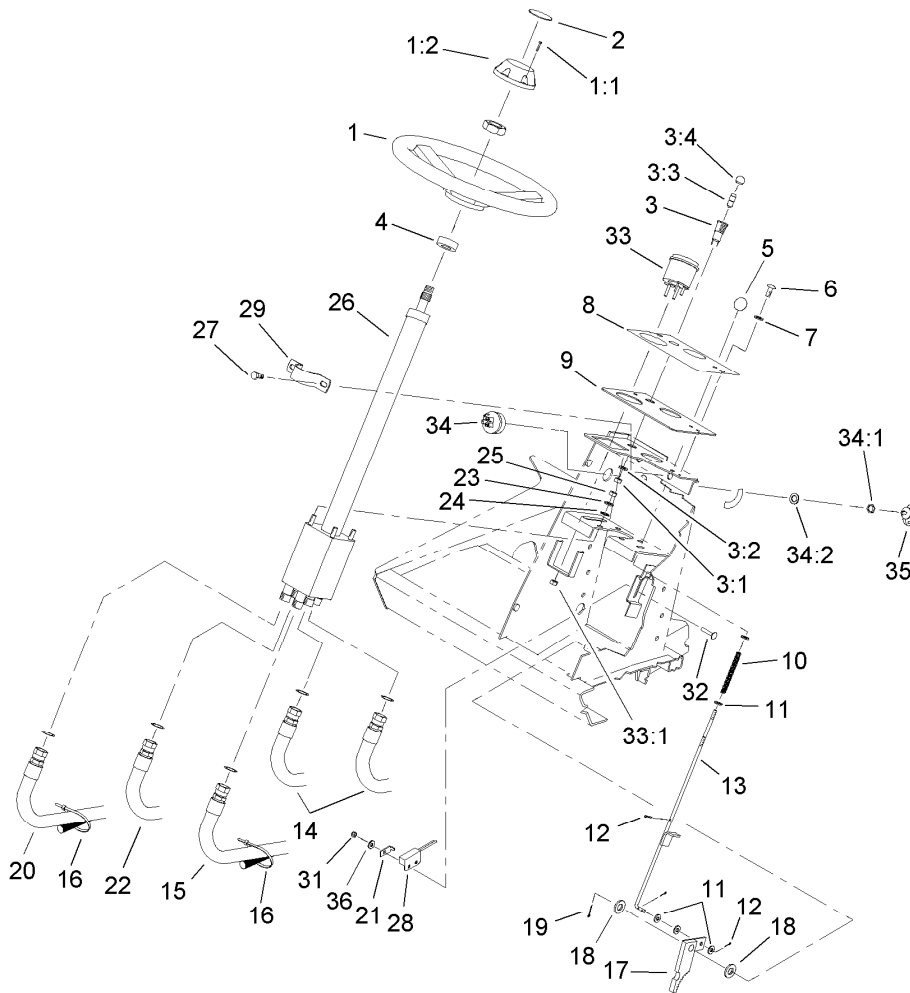
## Frame and Body Assembly

| Ref. | Part Number | Qty. | Description         | Ref. | Part Number | Qty. | Description             |
|------|-------------|------|---------------------|------|-------------|------|-------------------------|
| 1    | 62-5550     | 1    | Decal               | 16   | 3256-3      | 4    | Washer-Flat             |
| 2    | 93-7996-01  | 1    | Cover-Tower         | 17   | 322-5       | 4    | Screw-HH                |
| 3    | 106-5950    | 1    | RH Fender ASM       | 18   | 322-4       | 2    | Screw-HH                |
| 3:2  | 32148-6     | 2    | Insert-Nut          | 19   | 94-1410     | 1    | Holder-Can, Beverage    |
| 3:3  | 32148-7     | 5    | Nut-Insert          | 20   | 93-3626     | 1    | Bracket-Hose            |
| 3:4  | 93-6686     | 1    | Decal-Oil, HYD      | 21   | 104-0026    | 1    | Toolbox                 |
| 3:5  | 93-6689     | 1    | Decal-No Riders     | 22   | 104-1476    | 1    | Ring-Rubber             |
| 6    | 106-5951    | 1    | LH Fender ASM       | 23   | 75-0630     | 1    | Tread-Foot, Center      |
| 6:2  | 32148-7     | 6    | Nut-Insert          | 24   | 104-1496    | 2    | Hinge-Pin               |
| 6:3  | 93-6680     | 1    | Decal-Diesel        | 25   | 104-1497    | 2    | Hinge-Receiver          |
| 6:4  | 93-6689     | 1    | Decal-No Riders     | 27   | 74-5950     | 2    | Latch-Swell             |
| 7    | 3234-14     | 14   | Screw-HHF           | 28   | 104-9294    | 1    | Decal-Warning           |
| 8    | 107-1840    | 1    | Frame ASM           | 28   | 104-9295    | 1    | Decal-Warning, Ce       |
| 10   | 32144-1     | 11   | Screw-Taptite       | 29   | 104-1489-03 | 1    | Cover-Toolbox           |
| 11   | 98-4572     | 1    | Bracket-Clamp, Hose | 30   | 107-8841    | 1    | Decal-Service           |
| 12   | 32144-14    | 2    | Screw-HWHTF         | 31   | 3234-5      | 1    | Screw-HHF               |
| 13   | 75-1390-01  | 1    | Cover-Access, Front | 33   | 94-5626     | 1    | Flexible Draw Latch ASM |
| 14   | 75-1410-01  | 1    | Plate-Access, Floor | 33:1 | 100-5806    | 1    | Handle-Latch            |
| 15   | 75-6840     | 4    | Knob-Knurled        | 33:2 | 100-5807    | 1    | Keeper-Latch            |
| 15   | 3234-7      | 1    | Screw-HHF           |      |             |      |                         |



## Frame Assembly No. 107-1840

| <i>Ref.</i> | <i>Part Number</i> | <i>Qty.</i> | <i>Description</i>    |
|-------------|--------------------|-------------|-----------------------|
| 3           | 93-6693            | 1           | Decal-Plate, Floor    |
| 4           | 93-6686            | 1           | Decal-Oil, HYD        |
| 5           | 75-0640            | 1           | Tread-Footrest, RH    |
| 6           | 62-7400            | 1           | Decal                 |
| 7           | 75-0620            | 1           | Tread-Foot, LH        |
| 8           | 75-0610            | 1           | Tread-Foot, RH        |
| 9           | 75-0650            | 1           | Tread-Footrest, LH    |
| 11          | 93-6691            | 1           | Decal-Bolt, Eccentric |
| 12          | 93-6699            | 1           | Decal-Fast / Slow     |
| 14          | 104-2052           | 1           | Decal-Ansi            |
| 15          | 105-7506           | 1           | Decal-Switch, Key     |

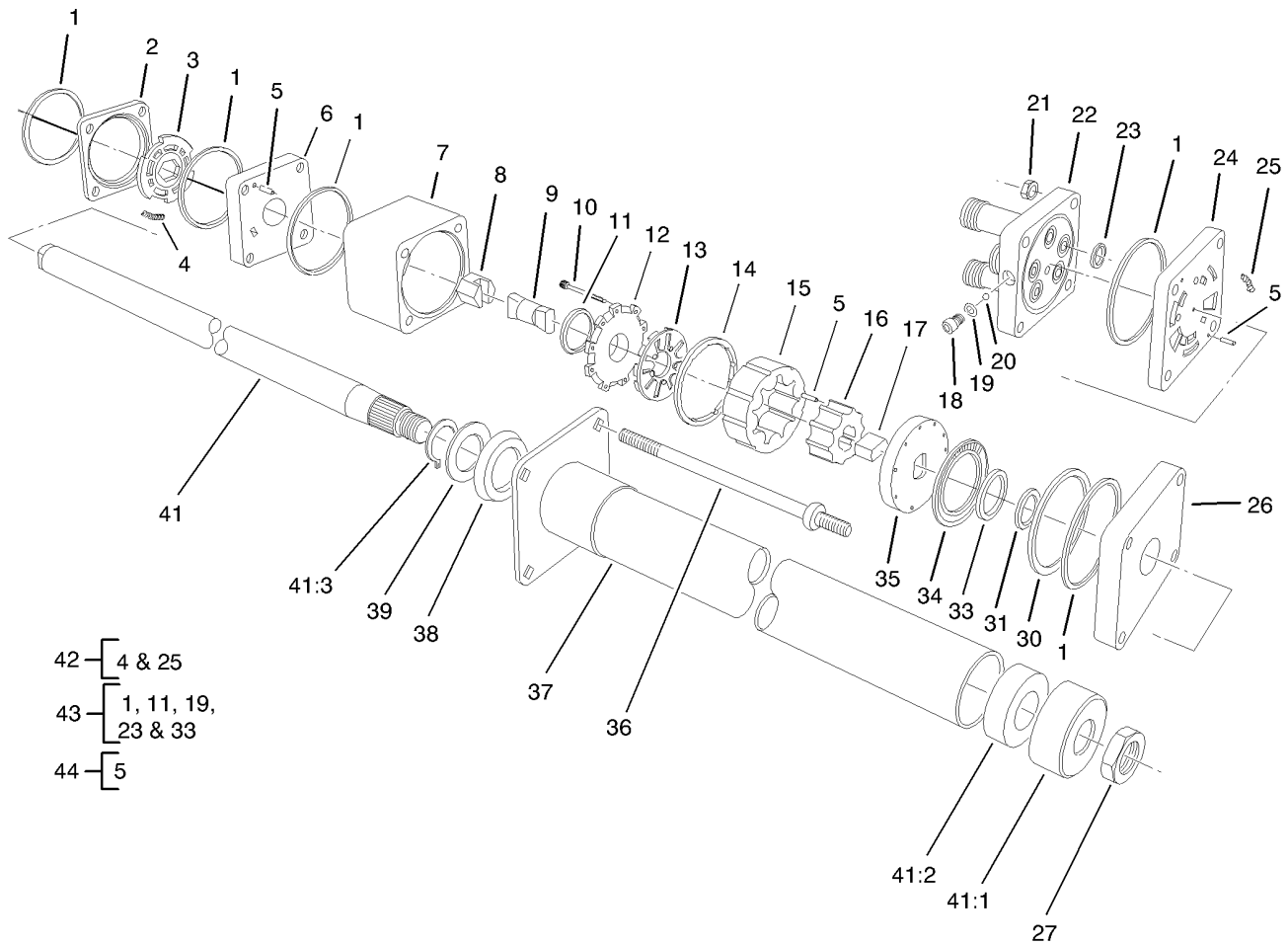


## Steering Tower Assembly

| Ref. | Part Number | Qty. | Description          |
|------|-------------|------|----------------------|
| 1    | 75-0560     | 1    | Steering Wheel ASM   |
| 1:1  | 32144-21    | 1    | Screw                |
| 1:2  | 68-5140     | 1    | Cap-Wheel, Steering  |
| 2    | 68-5370     | 1    | Decal                |
| 3    | 44-2210     | 1    | Light-Indicator, Red |
| 3:1  | 218-535     | 1    | Nut-Hex              |
| 3:2  | 218-536     | 1    | Washer-Lock          |
| 3:3  | 218-533     | 1    | Lens                 |
| 3:4  |             | 1    | Bulb ●               |
| 4    | 21-9260     | 1    | Cover-Dust           |
| 5    | 233-17      | 1    | Knob                 |
| 6    | 87-6620     | 2    | Screw                |
| 7    | 3256-1      | 2    | Washer-Flat          |
| 8    | 93-1263     | 1    | Decal-Tower          |
| 9    | 93-7998-03  | 1    | Plate-Instrument     |
| 10   | 95-1821-03  | 1    | Spring-Compression   |
| 11   | 3256-22     | 5    | Washer-Flat          |
| 12   | 3272-5      | 3    | Pin-Cotter           |
| 13   | 104-1492    | 1    | Rod ASM              |
| 14   | 75-6230     | 2    | Hose                 |
| 15   | 75-6240     | 1    | Hose                 |
| 16   | 3290-378    | 4    | Tie-Cable            |

| Ref. | Part Number | Qty. | Description              |
|------|-------------|------|--------------------------|
| 17   | 63-7900-03  | 1    | Rack                     |
| 18   | 3256-26     | 2    | Washer-Flat              |
| 19   | 3272-10     | 1    | Pin-Cotter               |
| 20   | 75-5940     | 1    | Hose                     |
| 21   | 100-4872    | 1    | Plate-Switch, Neutral    |
| 22   | 75-6250     | 1    | Hose                     |
| 23   | 3256-23     | 4    | Washer-Flat              |
| 24   | 3255-8      | 1    | Washer-Lock              |
| 25   | 3296-20     | 4    | Nut-Lock, NI             |
| 26   | 75-0600     | 1    | Unit-Steering, Power     |
| 27   | 32144-11    | 2    | Screw-HWHTF              |
| 28   | 100-1270    | 1    | Switch-Proximity         |
| 29   | 75-2810     | 1    | Bracket-Column, Steering |
| 31   | 3296-2      | 1    | Nut-Lock, NI             |
| 32   | 104-1450    | 1    | Bolt-CARR                |
| 33   | 104-9324    | 1    | Speedometer              |
| 33:1 | 3296-1      | 4    | Nut-Lock                 |
| 34   | 104-2541    | 1    | Switch ASM               |
| 34:1 | 218-461     | 1    | Nut-HH                   |
| 34:2 | 3254-5      | 1    | Washer-Tooth, Internal   |
| 35   | 63-8360     | 1    | Key-Ignition             |
| 36   | 3256-14     | 1    | Washer-Flat              |

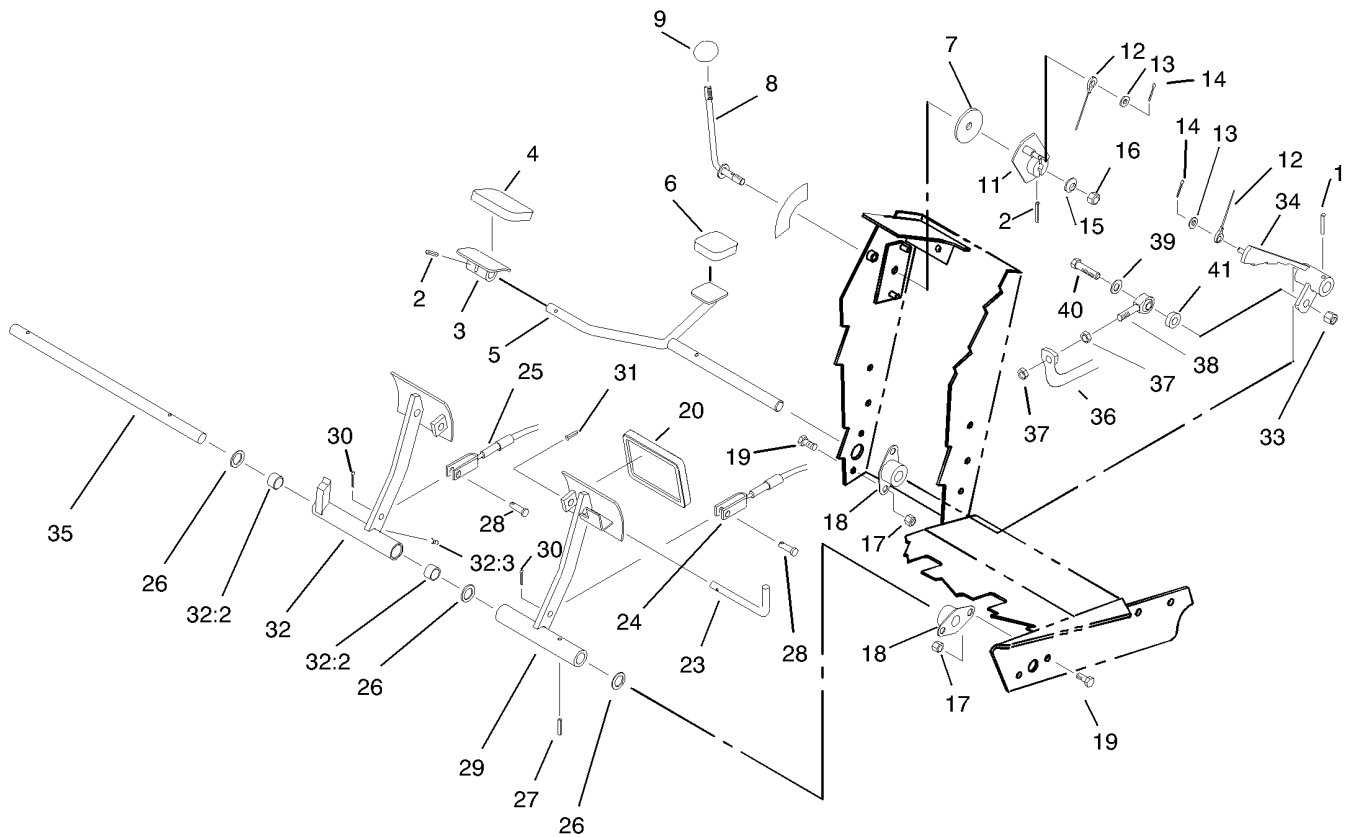
● Not serviced separately



## Power Steering Unit No. 75-0600

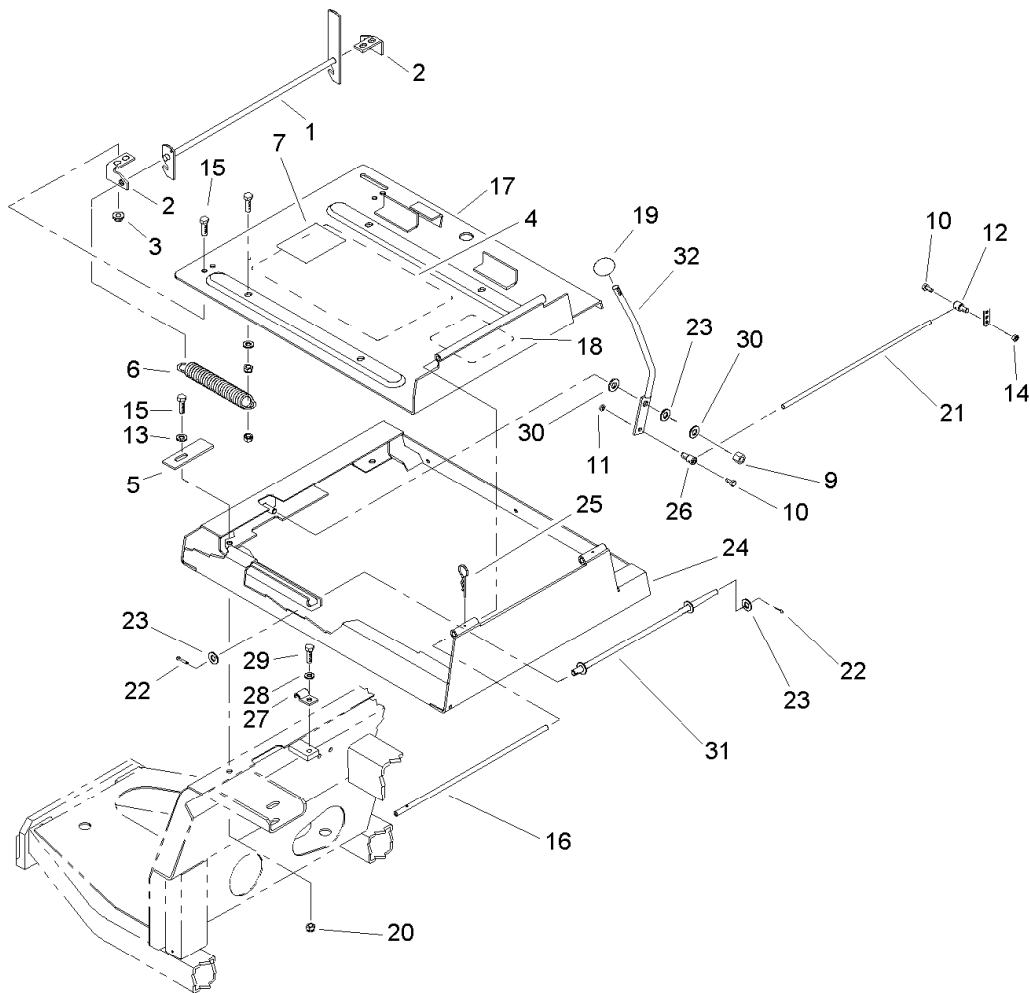
| Ref. | Part Number | Qty. | Description          | Ref. | Part Number | Qty. | Description                |
|------|-------------|------|----------------------|------|-------------|------|----------------------------|
| 1    |             | 5    | Ring-Seal ●          | 23   |             | 5    | Seal-Dust ●                |
| 2    |             | 1    | Ring-Valve ●         | 24   |             | 1    | Manifold-Port ●            |
| 3    |             | 1    | Plate-Valve ●        | 25   |             | 3    | Spring ●                   |
| 4    |             | 3    | Spring ●             | 26   |             | 1    | Plate-Cover, Upper ●       |
| 5    |             | 9    | Pin-Alignment ●      | 27   | 3220-6      | 1    | Nut-Jam                    |
| 6    |             | 1    | Manifold-Isolation ● | 30   |             | 1    | Spacer-Bearing, Thrust ●   |
| 7    |             | 1    | Ring-Metering ●      | 31   |             | 1    | Spacer-Seal ●              |
| 8    |             | 1    | Hex Drive ASM ●      | 33   |             | 1    | Seal-Face ●                |
| 9    |             | 1    | Link-Drive ●         | 34   |             | 1    | Bearing-Thrust ●           |
| 10   |             | 11   | Screw-HSH ●          | 35   |             | 1    | Plate-Drive ●              |
| 11   |             | 1    | Seal-Commutator ●    | 36   | 93-3609     | 4    | Bolt-Special               |
| 12   |             | 1    | Cover-Commutator ●   | 37   | 66-9860     | 1    | Upper Cover And Jacket ASM |
| 13   |             | 1    | Commutator ●         | 38   | 66-9870     | 1    | Plate-Retaining            |
| 14   |             | 1    | Ring-Commutator ●    | 39   | 66-9880     | 1    | Washer-Plate, Retaining    |
| 15   |             | 1    | Stator ●             | 41   | 66-9900     | 1    | Shaft-Input                |
| 16   |             | 1    | Rotor ●              | 41:1 | 92-7315     | 1    | Seal-Upper                 |
| 17   |             | 1    | Spacer-Link, Drive ● | 41:2 | 104-9327    | 1    | Bushing-Column             |
| 18   |             | 1    | Plug ●               | 41:3 | 66-9890     | 1    | Ring-Retaining             |
| 19   |             | 1    | Seal-Dust ●          | 42   | 66-9970     | 1    | Spring Kit                 |
| 20   |             | 1    | Ball ●               | 43   | 66-9980     | 1    | Seal Kit                   |
| 21   |             | 4    | Nut-Hex ●            | 44   | 66-9990     | 1    | Needle Roller Kit          |
| 22   |             | 1    | Cover-Port ●         |      |             |      |                            |

● Not serviced separately



## Traction and Brake Pedal Assembly

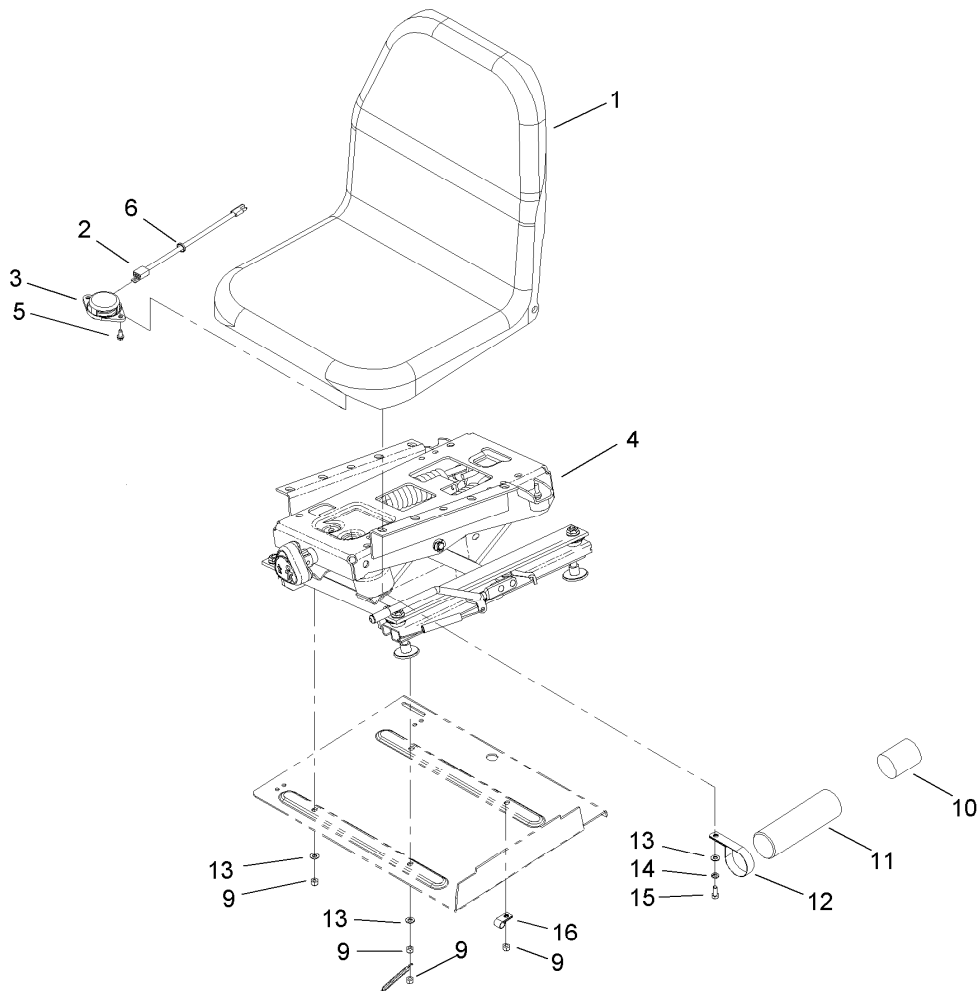
| Ref. | Part Number | Qty. | Description           | Ref. | Part Number | Qty. | Description         |
|------|-------------|------|-----------------------|------|-------------|------|---------------------|
| 1    | 32121-6     | 1    | Pin-Roll, Slotted     | 24   | 63-7733     | 1    | LH Brake Cable ASM  |
| 2    | 32121-45    | 2    | Pin-Spring            | 25   | 63-7732     | 1    | RH Brake Cable ASM  |
| 3    | 49-6440-03  | 1    | Pedal-Forward         | 26   | 3256-69     | 3    | Washer-Flat         |
| 4    | 74-9100     | 1    | Pad-Pedal, Forward    | 27   | 32121-16    | 1    | Pin-Spring          |
| 5    | 75-2970     | 1    | Pedal-Traction        | 28   | 283-58      | 2    | Pin-Clevis          |
| 6    | 74-9110     | 1    | Pad-Pedal, Reverse    | 29   | 75-1440-03  | 1    | Pedal-Brake, LH     |
| 7    | 75-6550     | 1    | Disc-Friction         | 30   | 3272-10     | 2    | Pin-Cotter          |
| 8    | 75-6490     | 1    | Lever ASM             | 31   | 32121-50    | 1    | Pin-Spring          |
| 9    | 233-42      | 1    | Knob                  | 32   | 75-1430     | 1    | RH Brake Pedal ASM  |
| 11   | 75-6510     | 1    | Bracket-Lever         | 32:2 | 256-42      | 2    | Bushing             |
| 12   | 75-6580     | 1    | Cable-Pedal           | 32:3 | 302-5       | 1    | Fitting-Grease      |
| 13   | 3256-22     | 2    | Washer-Flat           | 33   | 3296-39     | 1    | Nut-Lock, NI        |
| 14   | 3272-2      | 2    | Pin-Cotter            | 34   | 75-3270-03  | 1    | Hub-Pivot, Traction |
| 15   | 3290-461    | 1    | Washer-Spring         | 35   | 75-1470     | 1    | Pin-Pivot, Brake    |
| 16   | 3296-59     | 1    | Nut-Lock, NI          | 36   | 75-2170-03  | 1    | Tube-Control, Pump  |
| 17   | 3296-29     | 8    | Nut-Lock, NI          | 37   | 3220-3      | 2    | Nut-HJ              |
| 18   | 256-236     | 4    | Bearing-Mount, Flange | 38   | 2411-36     | 1    | Bearing-End, Rod    |
| 19   | 322-3       | 8    | Screw-HH              | 39   | 3256-24     | 1    | Washer-Flat         |
| 20   | 93-8742     | 2    | Footpad-Brake         | 40   | 323-9       | 1    | Screw-HH            |
| 23   | 63-7880     | 1    | Pin-Latch, Brake      | 41   | 5-0652      | 1    | Spacer              |



## Seat Frame and Throttle Assembly

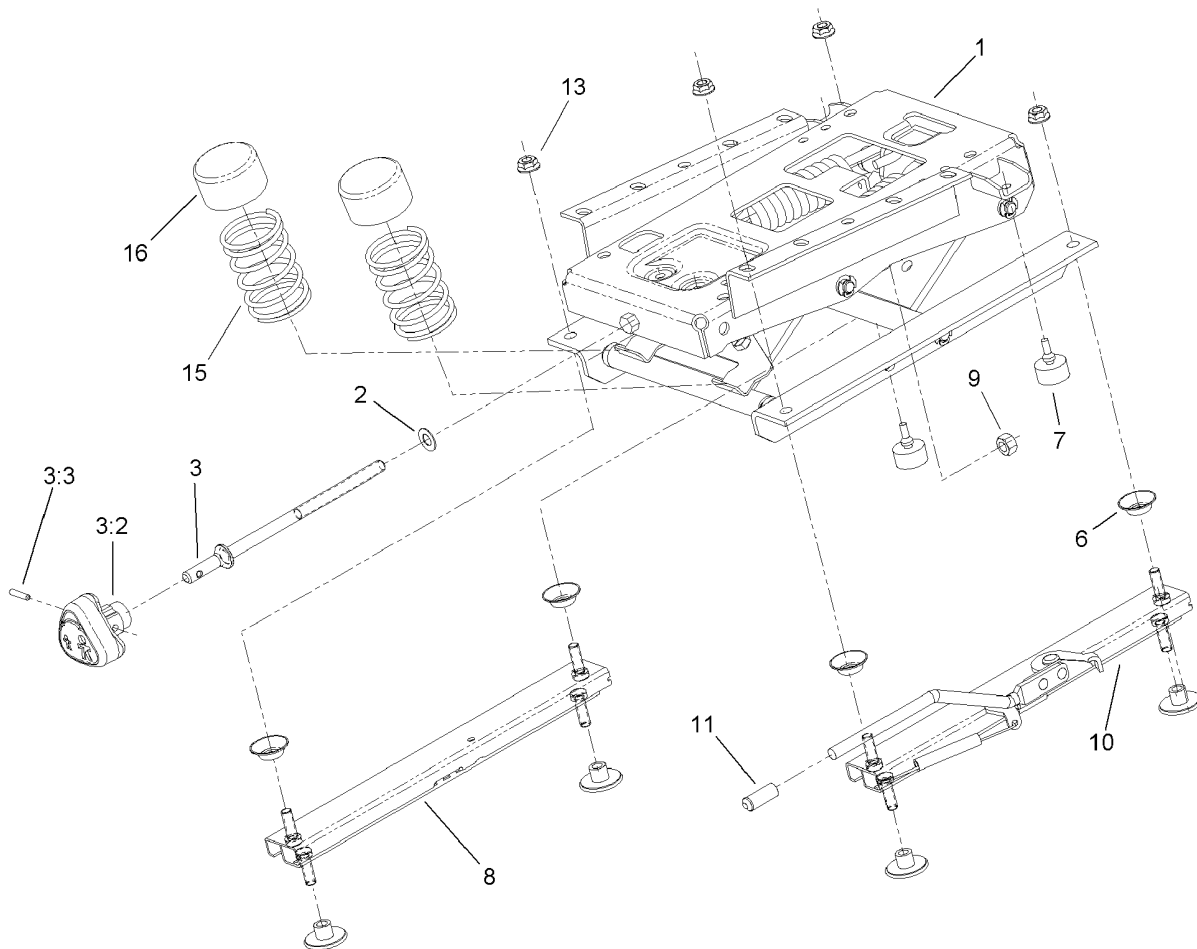
| Ref. | Part Number | Qty. | Description                 |
|------|-------------|------|-----------------------------|
| 1    | 98-2354-03  | 1    | Latch-Seat                  |
| 2    | 98-2353     | 2    | Bracket-Latch, Seat         |
| 3    | 32128-25    | 4    | Nut-HF                      |
| 4    | 98-9342     | 1    | Decal-Solenoid, Information |
| 5    | 98-9302     | 1    | Plate-Stop, Idler           |
| 6    | 66-4190-03  | 1    | Spring-Idler, Clutch        |
| 7    | 105-4674    | 1    | Decal-Noise                 |
| 9    | 3296-39     | 1    | Nut-Lock, NI                |
| 10   | 25-8640     | 2    | Screw-HH                    |
| 11   | 3296-3      | 1    | Nut-Lock                    |
| 12   | 98-9311     | 1    | Swivel-Throttle             |
| 13   | 3256-23     | 1    | Washer-Flat                 |
| 14   | 3296-20     | 1    | Nut-Lock, NI                |
| 15   | 322-3       | 8    | Screw-HH                    |
| 16   | 75-3400     | 1    | Shaft-Pivot, Seat           |
| 17   | 98-2350-03  | 1    | Seat Plate ASM              |

| Ref. | Part Number | Qty. | Description            |
|------|-------------|------|------------------------|
| 18   | 106-9224    | 1    | Decal-Danger           |
| 19   | 233-42      | 1    | Knob                   |
| 20   | 3296-29     | 4    | Nut-Lock, NI           |
| 21   | 98-9303     | 1    | Cable-Throttle         |
| 22   | 3272-10     | 2    | Pin-Cotter             |
| 23   | 3256-24     | 3    | Washer-Flat            |
| 24   | 98-2352-03  | 1    | Frame-Seat             |
| 25   | 3290-467    | 1    | Pin-Hair               |
| 26   | 93-0021     | 1    | Swivel-Cable, Throttle |
| 27   | 3-6657      | 1    | Clip-Skid              |
| 28   | 3253-3      | 1    | Washer-Lock            |
| 29   | 321-4       | 1    | Screw-HH               |
| 30   | 66-2920     | 2    | Washer-Friction        |
| 31   | 75-3680-03  | 1    | Rod-Seat               |
| 32   | 75-3430-03  | 1    | Lever-Throttle         |



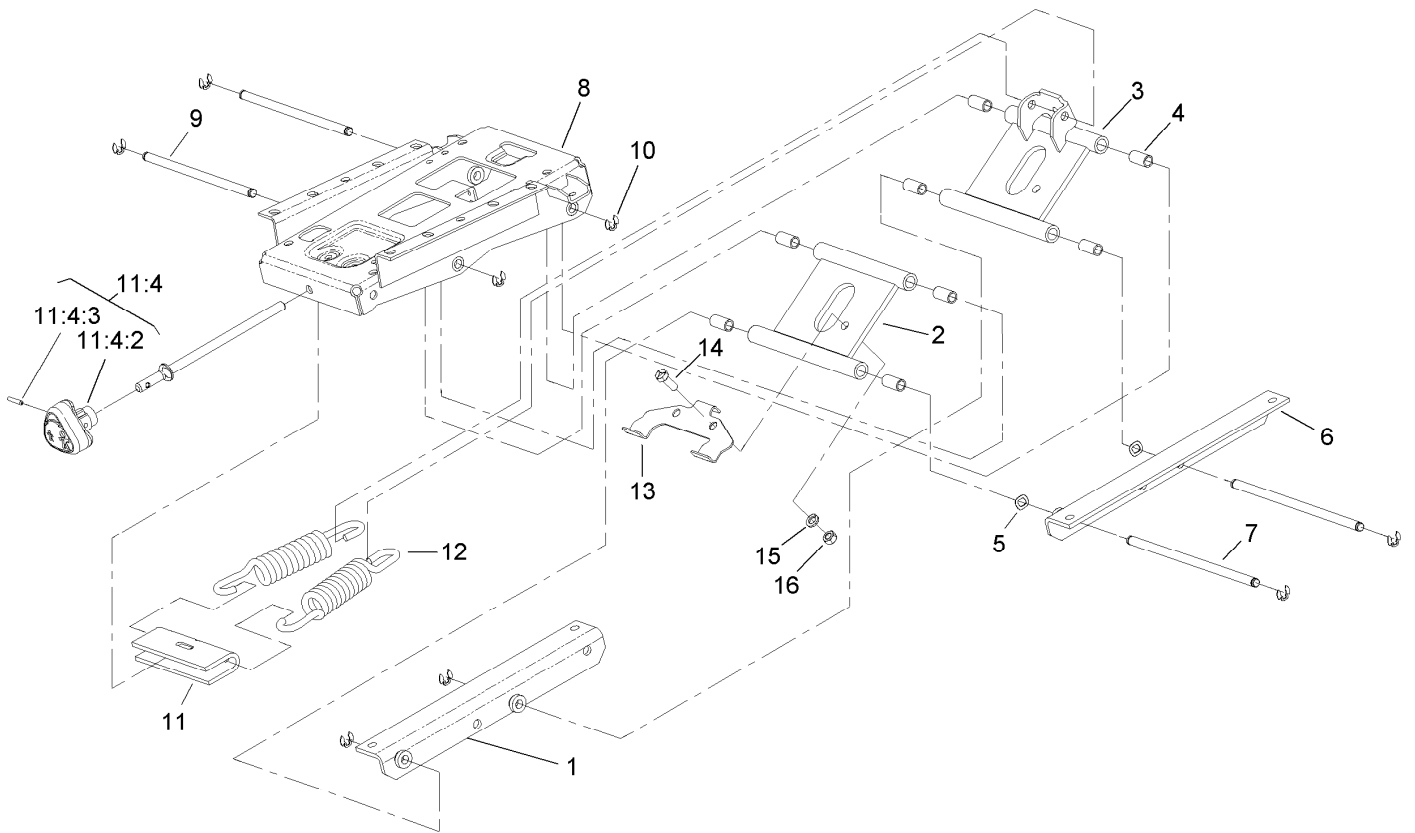
## Seat and Suspension Assembly

| <i>Ref.</i> | <i>Part Number</i> | <i>Qty.</i> | <i>Description</i>        |
|-------------|--------------------|-------------|---------------------------|
| 1           | 104-4620           | 1           | Seat                      |
| 2           | 106-7090           | 1           | Harness-Wire, Seat Switch |
| 3           | 92-6282            | 1           | Switch-Seat               |
| 4           | 76-1970            | 1           | Seat Suspension ASM       |
| 5           | 32144-10           | 2           | Screw-HWH                 |
| 6           | 93-0140            | 1           | Grommet-Rubber            |
| 9           | 3296-29            | 5           | Nut-Lock, NI              |
| 10          | 104-7048           | 1           | Cap-Housing               |
| 11          | 104-7050           | 1           | Tube-Manual               |
| 12          | 2412-133           | 2           | R-Clamp                   |
| 13          | 3256-23            | 8           | Washer-Flat               |
| 14          | 3253-4             | 4           | Washer-Lock               |
| 15          | 322-3              | 4           | Screw-HH                  |
| 16          | 2412-93            | 1           | Clamp-R                   |



## Seat Suspension Assembly No. 76-1970

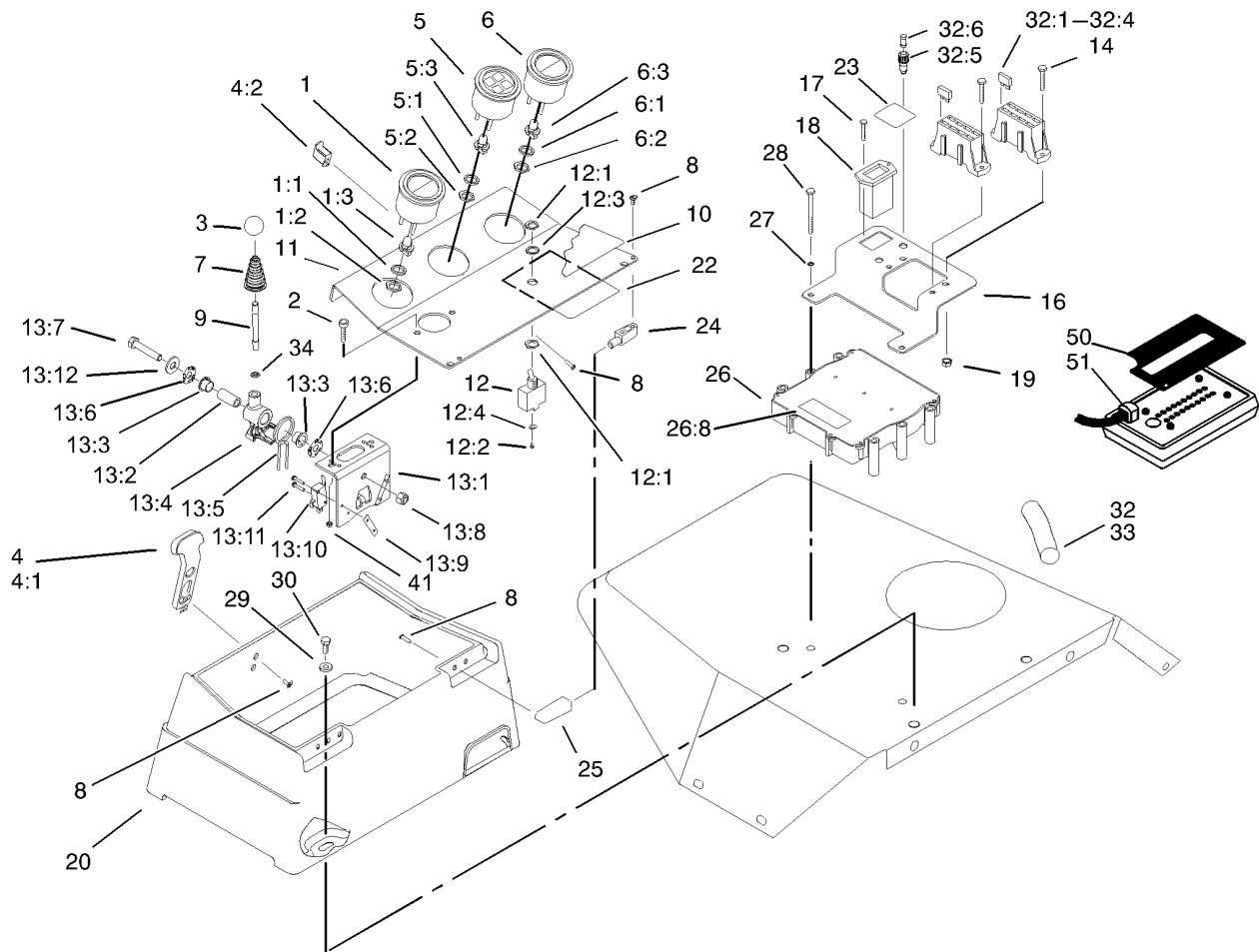
| <i>Ref.</i> | <i>Part Number</i> | <i>Qty.</i> | <i>Description</i>        |
|-------------|--------------------|-------------|---------------------------|
| 1           | 106-8085           | 1           | Suspension ASM            |
| 2           | 3256-24            | 1           | Washer-Flat               |
| 3           | 106-1031           | 1           | Tension Adjuster Knob ASM |
| 3:2         | 106-8093           | 1           | Knob-Adjust, Tension      |
| 3:3         | 32121-45           | 1           | Pin-Spring                |
| 6           | 66-9290            | 4           | Spacer-Suspension         |
| 7           | 76-2940            | 2           | Bumper                    |
| 8           | 66-8530            | 1           | Adjuster                  |
| 9           | 32153-2            | 1           | Nut-Lock, Side            |
| 10          | 66-8510            | 1           | Adjuster W / Handle       |
| 11          | 75-3570            | 1           | Tip-Vinyl                 |
| 13          | 32128-25           | 4           | Nut-HF                    |
| 15          | 93-3163            | 2           | Spring                    |
| 16          | 93-3164            | 2           | Cap                       |



## Suspension Assembly No. 106-8085

| Ref.   | Part Number | Qty. | Description                 |
|--------|-------------|------|-----------------------------|
| 1      | 106-8086    | 1    | Bracket-Mounting, RH        |
| 2      | 106-8087    | 1    | Arm                         |
| 3      | 106-8088    | 1    | Bellcrank                   |
| 4      | 76-1920     | 8    | Sleeve-Bearing              |
| 5      | 108472      | 2    | Washer-Wave                 |
| 6      | 106-8089    | 1    | Bracket-Mounting, LH        |
| 7      | 106-8090    | 2    | Shaft-Pivot                 |
| 8      | 66-8600     | 1    | Frame-Upper                 |
| 9      | 76-1910     | 2    | Shaft-Pivot                 |
| 10     | 32151-47    | 8    | Ring-Retaining              |
| 11     | 76-1960     | 1    | Knob Kit                    |
| 11:4   |             | 1    | Tension Adjuster Knob ASM ● |
| 11:4:2 | 106-8093    | 1    | Knob-Adjust, Tension        |
| 11:4:3 | 32121-45    | 1    | Pin-Spring                  |
| 12     | 76-1940     | 2    | Spring-Extension            |
| 13     | 93-3165     | 1    | Bracket                     |
| 14     | 322-6       | 1    | Screw-HH                    |
| 15     | 3253-33     | 1    | Washer-Lock                 |
| 16     | 3217-6      | 1    | Nut-Hex                     |

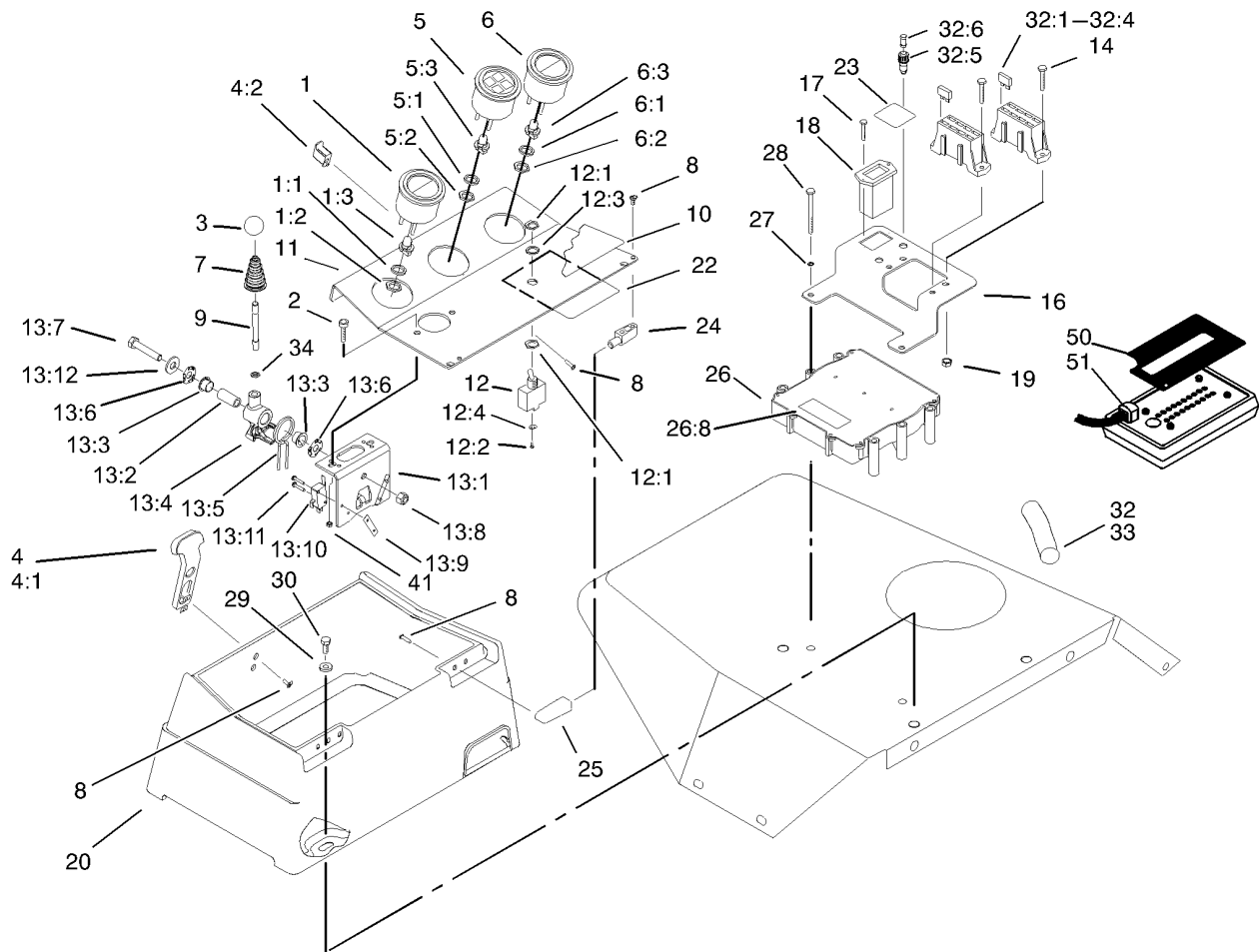
● Not serviced separately



## Control Console Assembly

| Ref. | Part Number | Qty. | Description             | Ref.  | Part Number | Qty. | Description            |
|------|-------------|------|-------------------------|-------|-------------|------|------------------------|
| 1    | 98-9339     | 1    | Gauge-Fuel              | 12:3  | 218-589     | 1    | Washer                 |
| 1:1  | 3254-1      | 3    | Washer-Lock, Int        | 12:4  | 3253-19     | 3    | Washer-Lock            |
| 1:2  | 3217-27     | 3    | Nut-Hex                 | 13    | 106-4167    | 1    | Joystick Bracket ASM ● |
| 1:3  | 105-9265    | 1    | Bulb And Lamp ASM       | 13:1  | 106-4168-03 | 1    | Bracket-Joystick       |
| 2    | 3258-166    | 2    | Screw-PRH               | 13:2  | 106-4192    | 1    | Spacer                 |
| 3    | 233-42      | 1    | Knob                    | 13:3  | 93-5547     | 2    | Bushing-Nylon          |
| 4    | 94-5626     | 1    | Flexible Draw Latch ASM | 13:4  | 105-7507    | 1    | Hub-Pivot, Joystick    |
| 4:1  | 100-5806    | 1    | Handle-Latch            | 13:5  | 105-8289    | 1    | Spring-Torsion         |
| 4:2  | 100-5807    | 1    | Keeper-Latch            | 13:6  | 106-4193    | 2    | Washer-Finger, Spring  |
| 5    | 98-9306     | 1    | Light-Warning           | 13:7  | 322-9       | 1    | Screw-HH               |
| 5:1  | 3254-1      | 1    | Washer-Lock, Int        | 13:8  | 3296-29     | 1    | Nut-Lock, NI           |
| 5:2  | 3217-27     | 1    | Nut-Hex                 | 13:9  | 3290-354    | 2    | Nut-Speed              |
| 5:3  | 105-9264    | 4    | Bulb And Lamp ASM       | 13:10 | 111332      | 2    | Switch                 |
| 6    | 98-9308     | 1    | Gauge-Temperature       | 13:11 | 95-3003     | 4    | Screw-PPHTF            |
| 6:1  | 3254-1      | 3    | Washer-Lock, Int        | 13:12 | 3256-3      | 1    | Washer-Flat            |
| 6:2  | 3217-27     | 3    | Nut-Hex                 | 14    | 32105-13    | 4    | Screw-HWH              |
| 6:3  | 105-9265    | 1    | Bulb And Lamp ASM       | 16    | 104-1499-03 | 1    | Bracket-Block, Fuse    |
| 7    | 93-5961     | 1    | Boot-Lever              | 17    | 32144-18    | 2    | Screw-HWH              |
| 8    | 32144-1     | 11   | Screw-Taptite           | 18    | 75-6820     | 1    | Hourmeter              |
| 9    | 105-7508    | 1    | Lever-Joystick          | 19    | 3296-2      | 4    | Nut-Lock, NI           |
| 10   | 104-9296    | 1    | Decal-Control           | 20    | 104-0027    | 1    | Box-Control            |
| 11   | 104-9251-03 | 1    | Plate-Instrument        | 22    | 94-6767     | 1    | Decal-Fuses            |
| 12   | 99-8352     | 1    | Switch-Backlap, Master  | 23    | 104-9298    | 1    | Decal-Controller       |
| 12:1 | 218-498     | 2    | Nut-Lock                | 24    | 104-1496    | 2    | Hinge-Pin              |
| 12:2 | 218-588     | 3    | Screw                   | 25    | 104-1497    | 2    | Hinge-Receiver         |
|      |             |      |                         |       |             |      |                        |

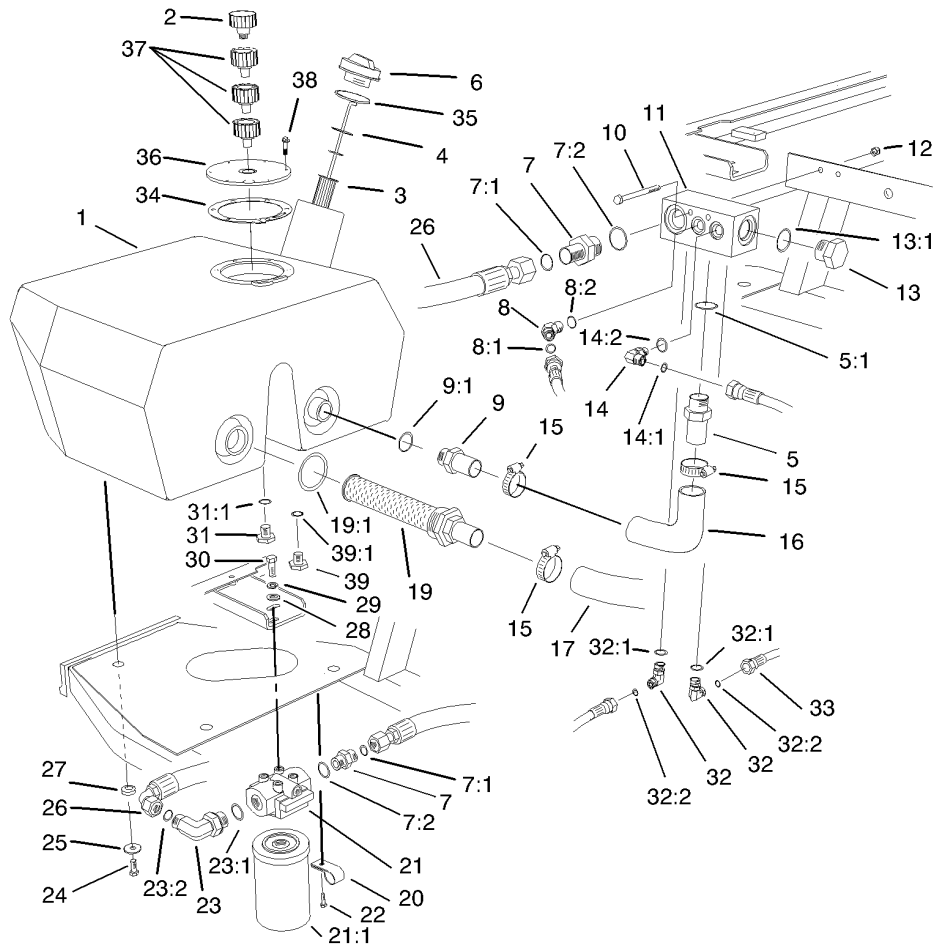
● Not illustrated



## Control Console Assembly (continued)

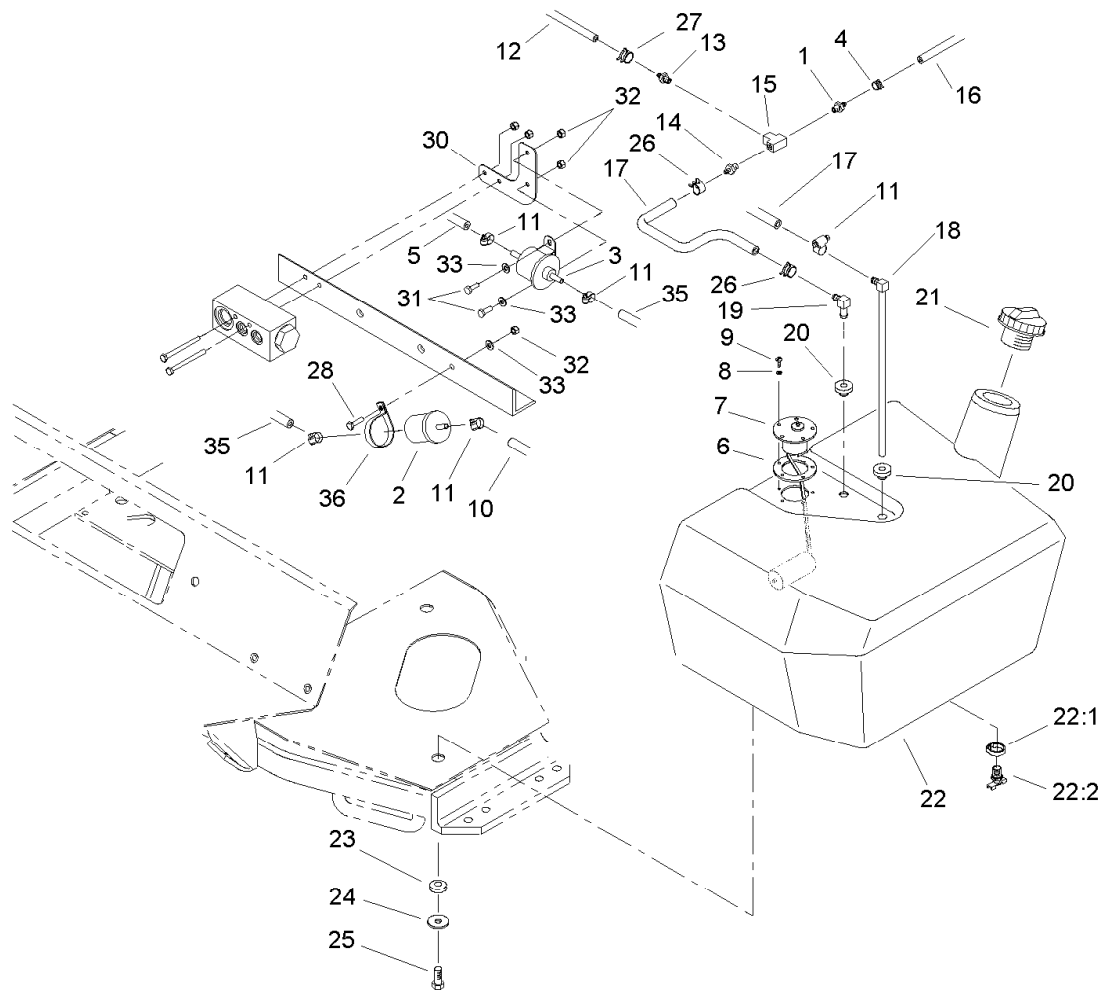
| <i>Ref.</i> | <i>Part Number</i> | <i>Qty.</i> | <i>Description</i>    | <i>Ref.</i> | <i>Part Number</i> | <i>Qty.</i> | <i>Description</i>              |
|-------------|--------------------|-------------|-----------------------|-------------|--------------------|-------------|---------------------------------|
| 26          | 92-5720            | 1           | Controller            | 32:4        | 109101             | 1           | Fuse-Blade, 20 Amp              |
| 26:8        | 93-8053            | 1           | Decal                 | 32:5        | 85-4491            | 1           | Light-Indicator (Includes Lamp) |
| 27          | 3253-3             | 2           | Washer-Lock           | 32:6        | 219-19             | 1           | Lamp-Green                      |
| 28          | 321-14             | 2           | Screw-HH              | 33          | 94-6343            | 1           | Decal-Identification, Wire      |
| 29          | 3256-3             | 3           | Washer-Flat           | 34          | 3218-3             | 1           | Nut-Jam                         |
| 30          | 322-5              | 3           | Screw-HH              | 41          | 32128-33           | 2           | Nut-HF                          |
| 32          | 108-0637           | 1           | Harness-Wire          | 50          | 104-9270           | 1           | Decal-Diagnostics               |
| 32:1        | 94-9157            | 1           | Fuse-Blade, 4 Amp     | 51          | 85-4750            | 1           | Box-Display, Diagnostic         |
| 32:2        | 114241             | 1           | Fuse-Blade, 7.5 Amp ● |             |                    |             |                                 |
| 32:3        | 218-578            | 3           | Fuse-Blade, 10 Amp ●  |             |                    |             |                                 |

● Not illustrated



## Hydraulic Filter and Reservoir Assembly

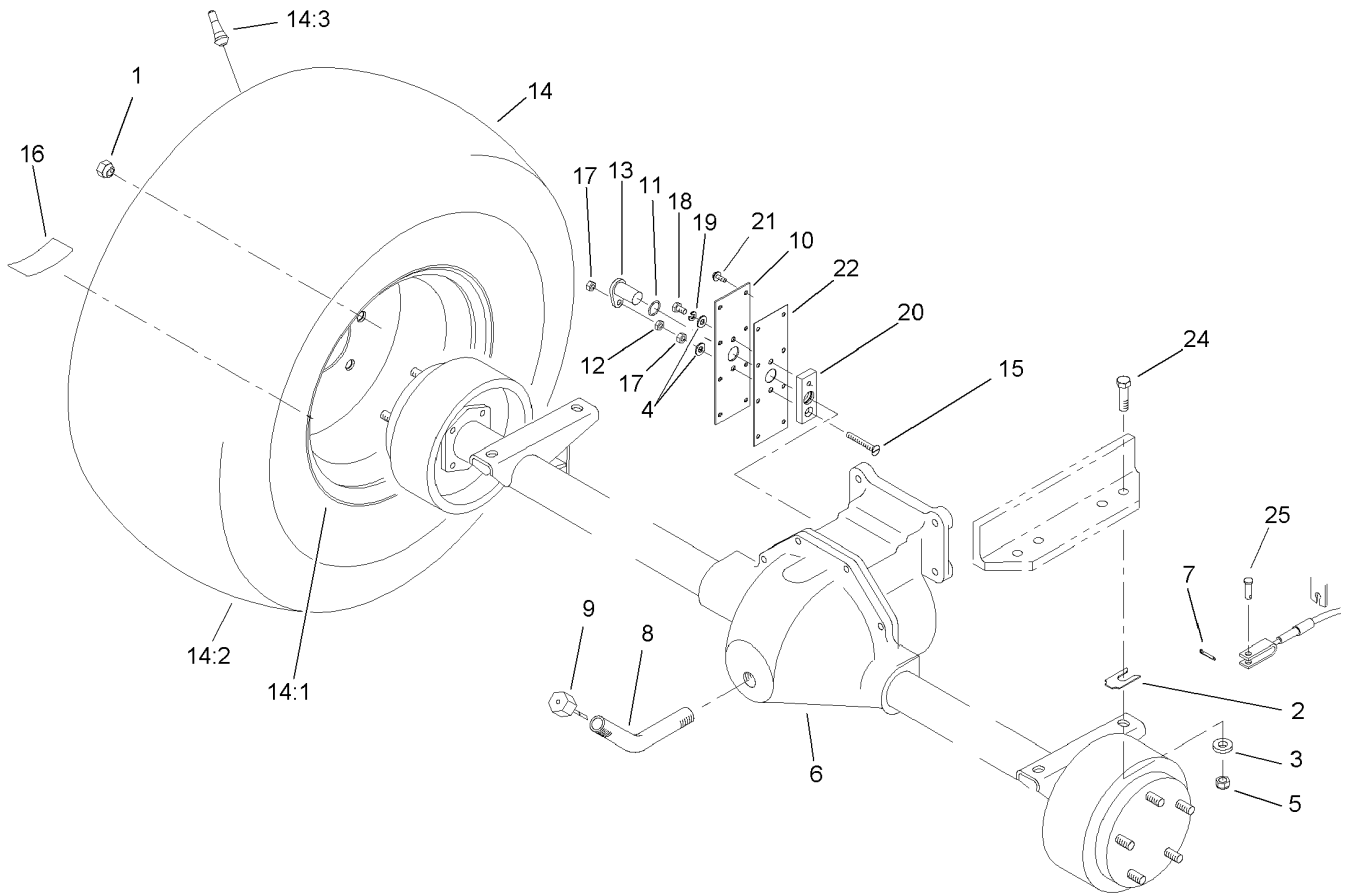
| Ref. | Part Number | Qty. | Description          | Ref. | Part Number | Qty. | Description           |
|------|-------------|------|----------------------|------|-------------|------|-----------------------|
| 1    | 104-9254    | 1    | Tank-Oil             | 20   | 2412-93     | 2    | Clamp-R               |
| 2    | 68-6150     | 1    | Breather             | 21   | 75-1300     | 1    | Oil Filter ASM        |
| 3    | 61-2790     | 1    | Filter-Screen        | 21:1 | 75-1310     | 1    | Filter-HYD            |
| 4    | 94-9411     | 1    | Dipstick             | 22   | 32144-10    | 2    | Screw-HWH             |
| 5    | 354-73      | 1    | Fitting-Straight     | 23   | 340-139     | 1    | Fitting-HYD, 90 DEG   |
| 5:1  | 237-81      | 1    | O-Ring               | 23:1 | 237-81      | 1    | O-Ring                |
| 6    | 93-7498     | 1    | Plug-Plastic         | 23:2 | 237-65      | 1    | O-Ring                |
| 7    | 340-8       | 2    | Adapter              | 24   | 33105-025   | 3    | Screw-HHF             |
| 7:1  | 237-65      | 1    | O-Ring               | 25   | 63-8410     | 3    | Washer                |
| 7:2  | 237-81      | 1    | O-Ring               | 26   | 75-6130     | 1    | Hose ASM              |
| 8    | 340-87      | 1    | Fitting-HYD, 45 DEG  | 27   | 240-11      | 3    | Bushing-Flange        |
| 8:1  | 237-22      | 1    | O-Ring               | 28   | 3256-24     | 2    | Washer-Flat           |
| 8:2  | 237-42      | 1    | O-Ring               | 29   | 3253-21     | 2    | Washer-Lock           |
| 9    | 99-6932     | 1    | Fitting-Hose, Barbed | 30   | 323-4       | 2    | Screw-HH              |
| 9:1  | 237-117     | 1    | O-Ring               | 31   | 353-550     | 1    | Plug-HYD, HH          |
| 10   | 321-23      | 2    | Screw-HH             | 31:1 | 237-79      | 1    | O-Ring                |
| 11   | 92-9098     | 1    | Manifold-Tank        | 32   | 340-82      | 2    | Adapter ASM           |
| 12   | 3296-42     | 2    | Nut-Lock, NI         | 32:1 | 237-42      | 1    | O-Ring                |
| 13   | 354-74      | 1    | Plug-HH              | 32:2 | 237-21      | 1    | O-Ring                |
| 13:1 | 237-81      | 1    | O-Ring               | 33   | 100-3739    | 1    | Return Drain Hose ASM |
| 14   | 340-77      | 1    | Fitting-HYD, 90 DEG  | 34   | 93-7499     | 1    | Gasket                |
| 14:1 | 237-22      | 1    | O-Ring               | 35   | 237-101     | 1    | O-Ring                |
| 14:2 | 237-42      | 1    | O-Ring               | 36   | 93-7588     | 1    | Cover-Tank            |
| 15   | 2412-34     | 3    | Clamp-Hose           | 37   | 92-8020     | 3    | Adapter-Breather      |
| 16   | 75-5720     | 1    | Hose-Return          | 38   | 33104-020   | 6    | Screw-HHF             |
| 17   | 75-6870     | 1    | Hose-Inlet, Pump     | 39   | 353-508     | 1    | Plug-HH               |
| 19   | 104-7546    | 1    | Tank Strainer ASM    | 39:1 | 237-42      | 1    | O-Ring                |
| 19:1 | 340-136     | 1    | O-Ring               |      |             |      |                       |



## Fuel Tank Assembly

| Ref. | Part Number | Qty. | Description           | Ref. | Part Number | Qty. | Description        |
|------|-------------|------|-----------------------|------|-------------|------|--------------------|
| 1    | 304-73      | 1    | Connector-Hose        | 20   | 46-6560     | 2    | Bushing            |
| 2    | 98-7612     | 1    | Filter-Fuel           | 21   | 93-3102     | 1    | Cap-Fuel           |
| 3    | 104-5215    | 1    | Pump-Fuel, Electric   | 22   | 105-7933    | 1    | Tank-Fuel          |
| 4    | 2412-98     | 1    | Clamp-Hose            | 22:1 | 2412-36     | 1    | Clamp-Hose         |
| 5    | 23-2140     | 1    | Hose-Fuel             | 22:2 | 304-46      | 1    | Draincock          |
| 6    | 62-7650     | 1    | Gasket                | 23   | 240-11      | 3    | Bushing-Flange     |
| 7    | 63-7640     | 1    | Sender-Fuel           | 24   | 63-8410     | 3    | Washer             |
| 8    | 3253-15     | 5    | Washer-Lock           | 25   | 33105-025   | 3    | Screw-HHF          |
| 9    | 32122-24    | 5    | Screw-PTH             | 26   | 92-2379     | 2    | Clamp-Hose         |
| 10   | 27-5370     | 1    | Hose-Fuel             | 27   | 2412-146    | 2    | Clamp-Hose         |
| 11   | 2412-108    | 6    | Clamp-Worm            | 28   | 321-6       | 1    | Screw-HH           |
| 12   | 75-4700     | 1    | Hose-Fuel             | 30   | 104-9333    | 1    | Bracket-Pump, Fuel |
| 13   | 354-22      | 1    | Fitting-Barbed        | 31   | 321-4       | 2    | Screw-HH           |
| 14   | 354-21      | 1    | Fitting-Barbed        | 32   | 3296-42     | 3    | Nut-Lock, NI       |
| 15   | 354-20      | 1    | Fitting-Tee           | 33   | 3256-22     | 3    | Washer-Flat        |
| 16   | 98-9338     | 1    | Hose-Fuel             | 34   | 3290-378    | 1    | Tie-Cable ●        |
| 17   | 93-2042     | 1    | Hose-Fuel             | 35   | 27-5360     | 1    | Hose-Fuel          |
| 18   | 66-8121     | 1    | Standpipe             | 36   | 2412-148    | 1    | Clamp-R            |
| 19   | 46-6550     | 1    | Fitting-Elbow, 90 DEG |      |             |      |                    |

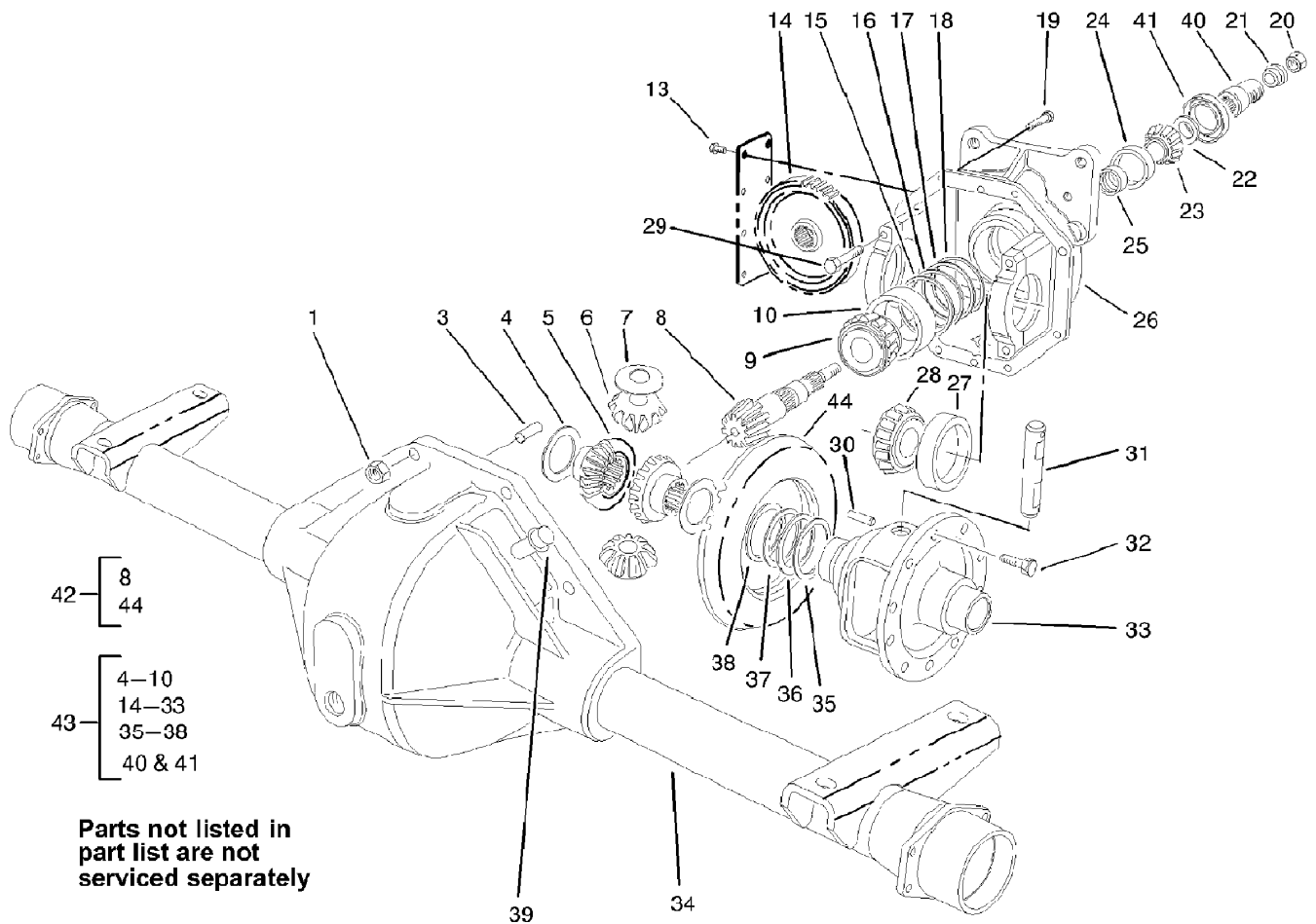
● Not illustrated



## Front Axle Assembly

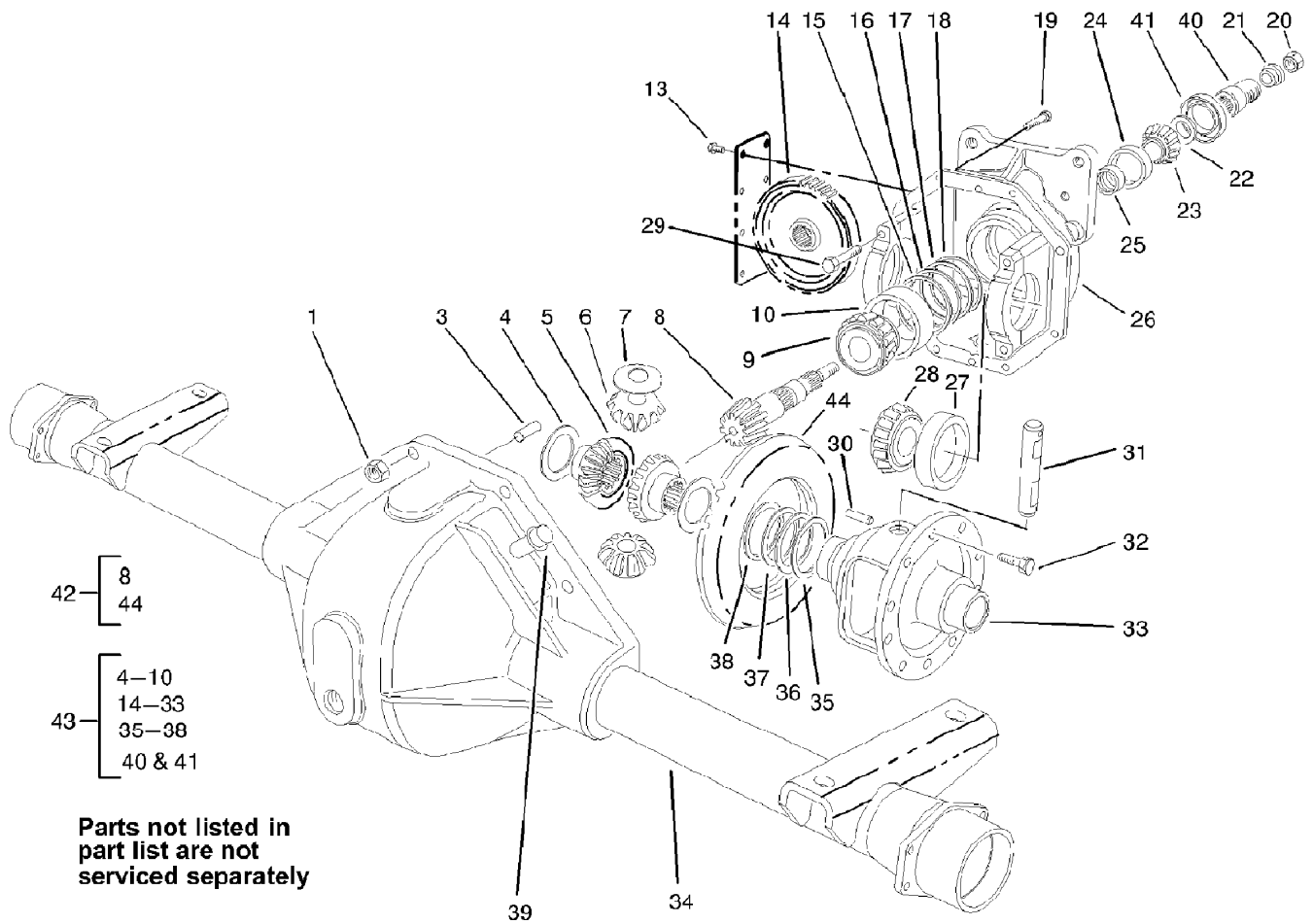
| Ref. | Part Number | Qty. | Description          | Ref. | Part Number | Qty. | Description            |
|------|-------------|------|----------------------|------|-------------|------|------------------------|
| 1    | 242-50      | 10   | Nut-Lug              | 14:1 | 99-6984     | 1    | Wheel ASM              |
| 2    | 42-6080     | 5    | Shim-Axle            | 14:2 | 98-2373     | 1    | Tire-Ultra Trac        |
| 3    | 66-6480     | 4    | Washer               | 14:3 | 232-27      | 1    | Stem-Valve             |
| 4    | 3256-22     | 2    | Washer-Flat          | 15   | 32108-9     | 1    | Screw-FH               |
| 5    | 3296-48     | 4    | Nut-Lock, NI         | 16   | 106-9206    | 2    | Decal-Torque, Wheel    |
| 6    | 108-0640-03 | 1    | Drive Axle ASM       | 17   | 3296-56     | 2    | Nut-Lock, NI           |
| 7    | 3272-10     | 2    | Pin-Cotter           | 18   | 321-2       | 1    | Screw-HH               |
| 8    | 75-6850     | 1    | Tube-Fill, Oil       | 19   | 3253-3      | 1    | Washer-Lock            |
| 9    | 27-3710     | 1    | Dipstick             | 20   | 85-4340     | 1    | Plate-Mounting, Sensor |
| 10   | 85-4330     | 1    | Cover-Gear           | 21   | 32144-112   | 8    | Screw-HWH              |
| 11   | 237-181     | 1    | O-Ring               | 22   | 92-5797     | 1    | Gasket-Axle            |
| 12   | 3218-1      | 1    | Nut-Jam              | 24   | 324-7       | 4    | Screw-HH               |
| 13   | 85-4350     | 1    | Sensor-Geartooth     | 25   | 283-58      | 2    | Pin-Clevis             |
| 14   |             | 2    | Wheel And Tire ASM ● |      |             |      |                        |

● Not serviced separately



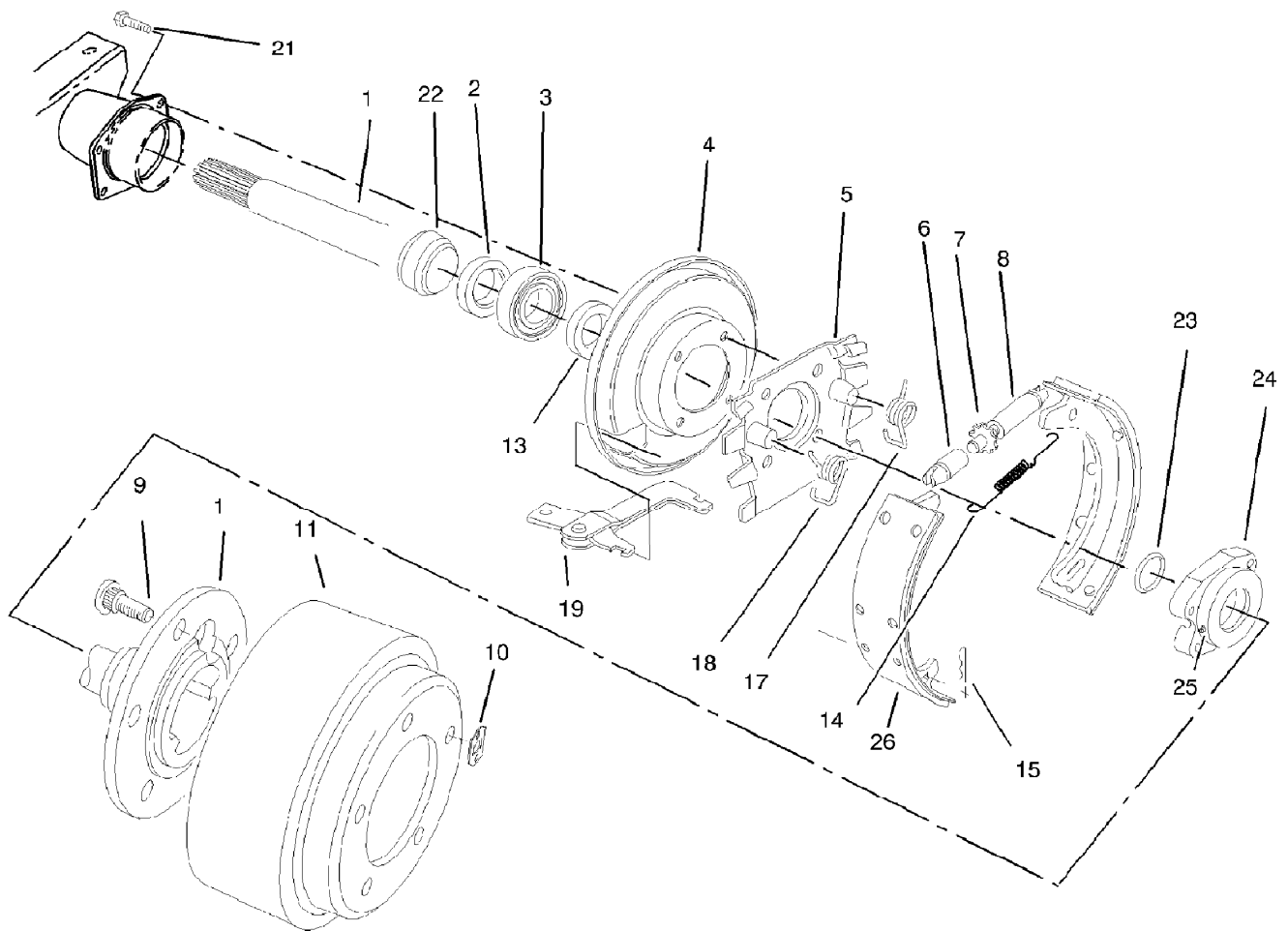
## Drive Axle Assembly No. 108-0640-03

| Ref. | Part Number | Qty. | Description                | Ref. | Part Number | Qty. | Description                |
|------|-------------|------|----------------------------|------|-------------|------|----------------------------|
| 1    | 32149-5     | 8    | Nut-Keps                   | 22   | 72-3581     | 1    | Shim-Bearing, Front (.114) |
| 3    | 21-8270     | 2    | Pin-Dowel                  | 22   | 72-3582     | 1    | Shim-Bearing, Front (.116) |
| 4    | 21-7720     | 2    | Washer-Thrust              | 22   | 72-3583     | 1    | Shim-Bearing, Front (.118) |
| 5    | 24-8790     | 2    | Gear-Differential          | 22   | 72-3584     | 1    | Shim-Bearing, Front (.120) |
| 6    | 21-7690     | 2    | Pinion-Differential        | 22   | 72-3585     | 1    | Shim-Bearing, Front (.125) |
| 7    | 21-7730     | 2    | Washer-Thrust, Pinion      | 22   | 72-3586     | 1    | Shim-Bearing, Front (.127) |
| 9    | 43-6760     | 1    | Bearing-Roller, Cone Taper | 22   | 72-3587     | 1    | Shim-Bearing, Front (.129) |
| 10   | 43-6750     | 1    | Bearing-Taper, Cup         | 22   | 72-3588     | 1    | Shim-Bearing, Front (.131) |
| 13   | 32144-112   | 8    | Screw-HWH                  | 22   | 72-3590     | 1    | Shim-Bearing, Front (.133) |
| 14   | 86-7230     | 1    | Gear-Input, Transmission   | 22   | 72-3591     | 1    | Shim-Bearing, Front (.135) |
| 15   | 43-6710     | 1    | Shim-Pinion (.003)         | 22   | 72-3592     | 1    | Shim-Bearing, Front (.137) |
| 16   | 43-6711     | 1    | Shim-Pinion (.005)         | 22   | 72-3593     | 1    | Shim-Bearing, Front (.139) |
| 17   | 43-6712     | 1    | Shim-Pinion (.010)         | 22   | 72-3594     | 1    | Shim-Bearing, Front (.141) |
| 18   | 43-6713     | 1    | Shim-Pinion (.030)         | 22   | 72-3595     | 1    | Shim-Bearing, Front (.143) |
| 19   | 3210-8      | 8    | Screw-HH                   | 22   | 72-3596     | 1    | Shim-Bearing, Front (.145) |
| 20   | 71-4350     | 1    | Nut                        | 22   | 72-3597     | 1    | Shim-Bearing, Front (.147) |
| 21   | 83-5130     | 1    | Spacer-Pinion              | 22   | 72-3598     | 1    | Shim-Bearing, Front (.149) |
| 22   | 72-3570     | 1    | Shim-Bearing, Front (.094) | 22   | 72-3600     | 1    | Shim-Bearing, Front (.151) |
| 22   | 72-3571     | 1    | Shim-Bearing, Front (.096) | 23   | 254-91      | 1    | Cone-Bearing               |
| 22   | 72-3572     | 1    | Shim-Bearing, Front (.098) | 24   | 21-8390     | 1    | Cup-Bearing                |
| 22   | 72-3573     | 1    | Shim-Bearing, Front (.100) | 25   | 21-8020     | 1    | Spacer-Bearing             |
| 22   | 72-3574     | 1    | Shim-Bearing, Front (.102) | 26   | 93-3619     | 1    | Upper Housing ASM          |
| 22   | 72-3575     | 1    | Shim-Bearing, Front (.104) | 27   | 254-66      | 2    | Cup-Bearing, Roller        |
| 22   | 72-3576     | 1    | Shim-Bearing, Front (.106) | 28   | 254-65      | 2    | Bearing-Roller, Cone       |
| 22   | 72-3577     | 1    | Shim-Bearing, Front (.108) | 29   | 92-1773     | 4    | Screw-HHF                  |
| 22   | 72-3578     | 1    | Shim-Bearing, Front (.110) | 30   | 21-7710     | 1    | Pin-Roll                   |
| 22   | 72-3580     | 1    | Shim-Bearing, Front (.112) | 31   | 21-7700     | 1    | Shaft-Mate, Pinion         |



## Drive Axle Assembly No. 108-0640-03 (continued)

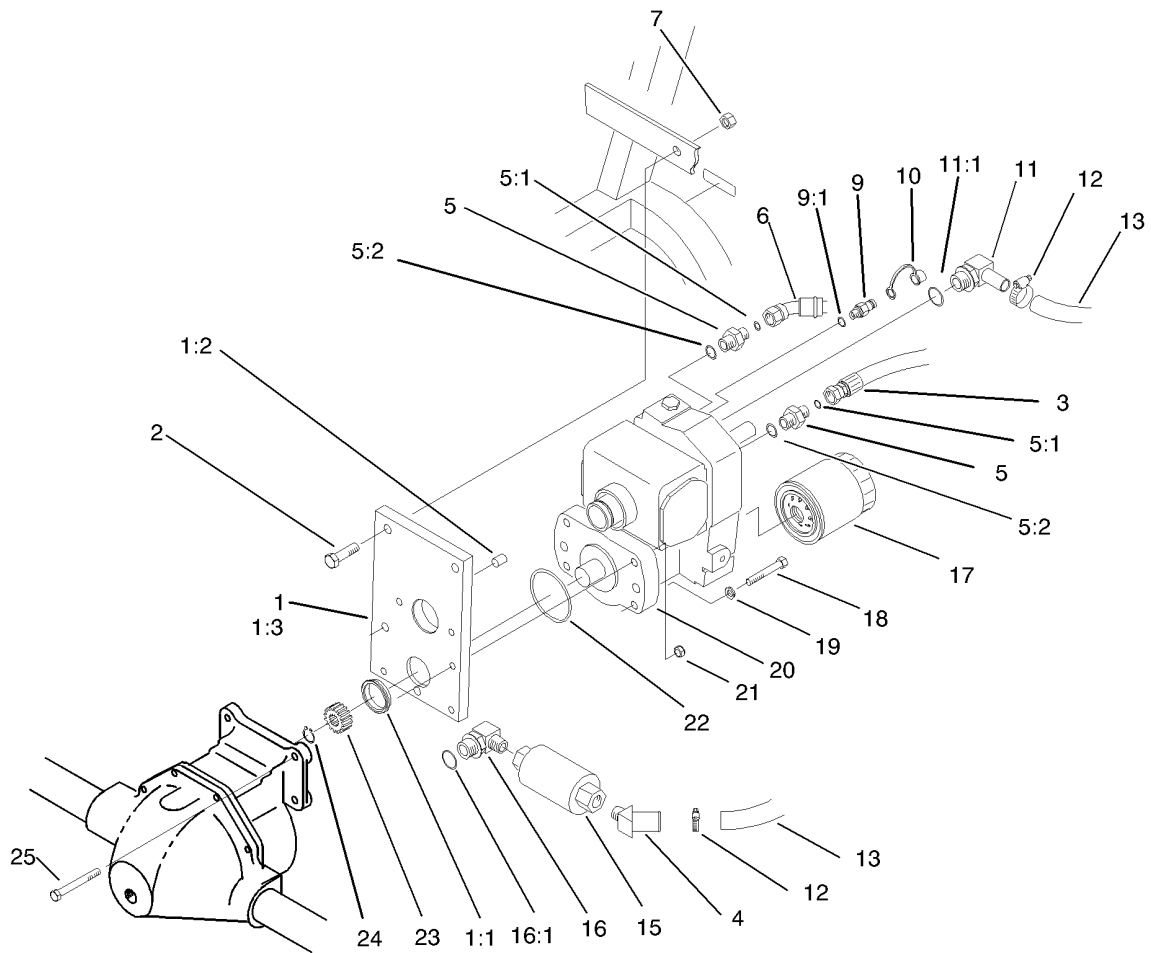
| Ref. | Part Number | Qty. | Description                       | Ref. | Part Number | Qty. | Description                       |
|------|-------------|------|-----------------------------------|------|-------------|------|-----------------------------------|
| 32   | 21-7770     | 5    | Screw-Gear, Drive                 | 38   | 21-8090     | 1    | Shim-Bearing, Differential (.003) |
| 33   | 21-7670     | 1    | Case-Differential                 | 39   | 72-9420     | 1    | Vent                              |
| 34   | 108-1422-03 | 1    | Lower Housing ASM                 | 40   | 83-4910     | 1    | Coupler-Pinion                    |
| 35   | 21-8120     | 1    | Shim-Bearing, Differential (.030) | 41   | 71-4330     | 1    | Seal                              |
| 36   | 21-8110     | 1    | Shim-Bearing, Differential (.010) | 42   | 93-3618     | 1    | Gear And Pinion ASM               |
| 37   | 21-8100     | 1    | Shim-Bearing, Differential (.005) | 43   | 93-3617     | 1    | Cover And Carrier Kit             |



## Brake Assembly

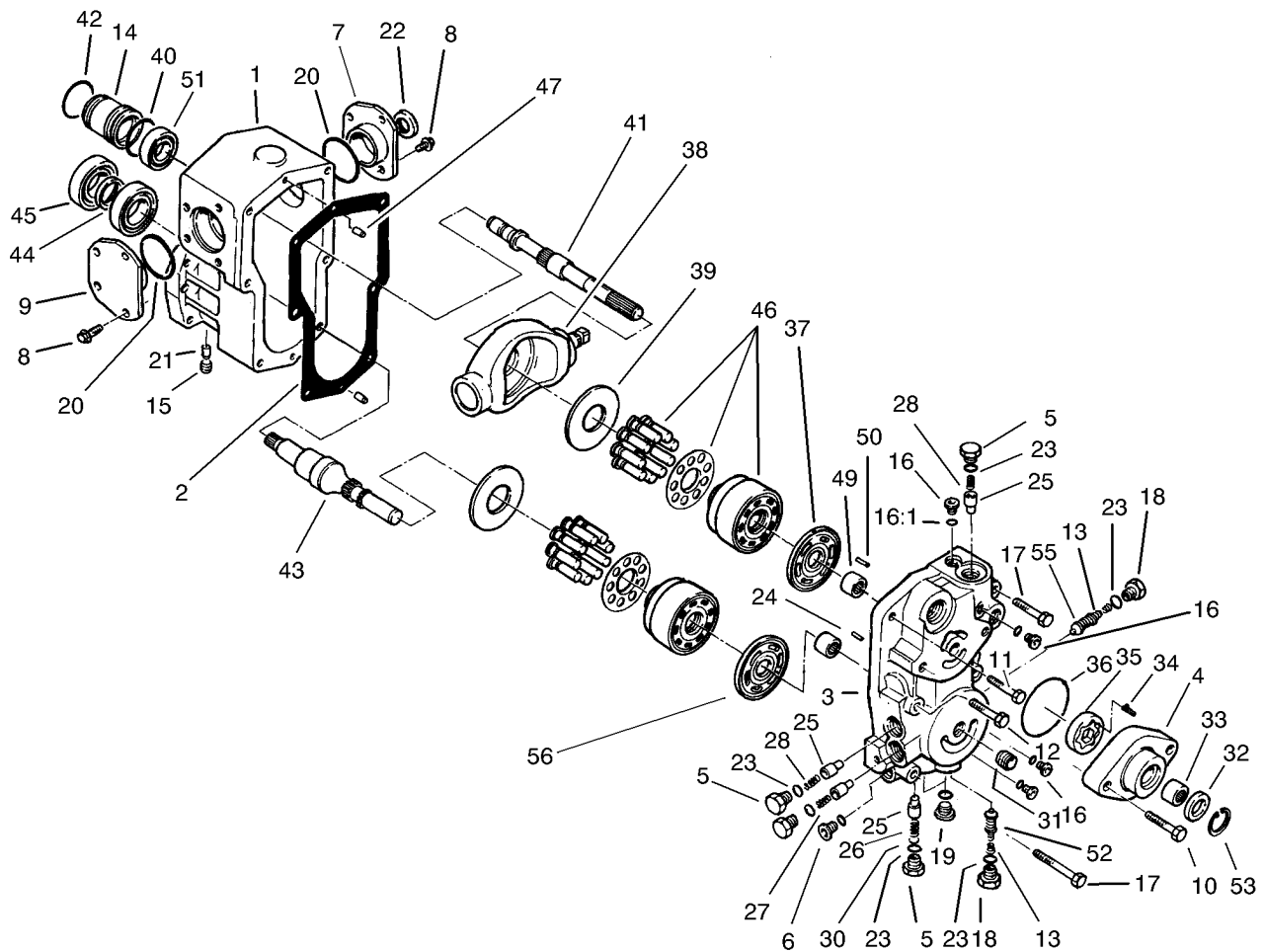
| Ref. | Part Number | Qty. | Description             | Ref. | Part Number | Qty. | Description             |
|------|-------------|------|-------------------------|------|-------------|------|-------------------------|
| 1    | 108-1424    | 1    | Shaft-Axle, LH          | 14   | 21-9440     | 2    | Spring-Screw, Adjusting |
| 1    | 108-1425    | 1    | Shaft-Axle, RH          | 15   | 21-9460     | 4    | Retainer-Lever, Brake   |
| 2    | 100-3842    | 2    | Seal-Oil                | 17   | 21-9420     | 2    | Spring-Return, LH       |
| 3    | 108-1426    | 2    | Cap-Bearing             | 18   | 21-9430     | 2    | Spring-Return, RH       |
| 4    | 100-3843    | 2    | Shield-Dust             | 19   | 24-9180     | 2    | Strut And Lever ASM     |
| 5    | 100-3844    | 2    | Spider-Torque           | 21   | 100-3846    | 8    | Screw-Special           |
| 6    | 21-9390     | 2    | Socket-Screw, Adjusting | 22   | 100-3847    | 2    | Retainer-Bearing        |
| 7    | 21-9370     | 2    | Screw-Adjusting         | 23   | 108-1427    | 2    | Ring-Spiral             |
| 8    | 21-9380     | 2    | Nut-Pivot               | 24   | 108-1428    | 2    | Bearing ASM             |
| 9    | 106-9205    | 10   | Stud-Wheel              | 25   | 100-3850    | 2    | Zerk-Special            |
| 10   | 21-8360     | 2    | Clip-Retaining          | 26   | 84-8600     | 1    | Set-Shoes, Lined        |
| 11   | 106-9209-03 | 2    | Drum-Brake              | 27   | 92-8775     | 1    | Liquid Gasket Kit ●     |
| 13   | 100-3845    | 2    | Seal-Grease             |      |             |      |                         |

● Not illustrated



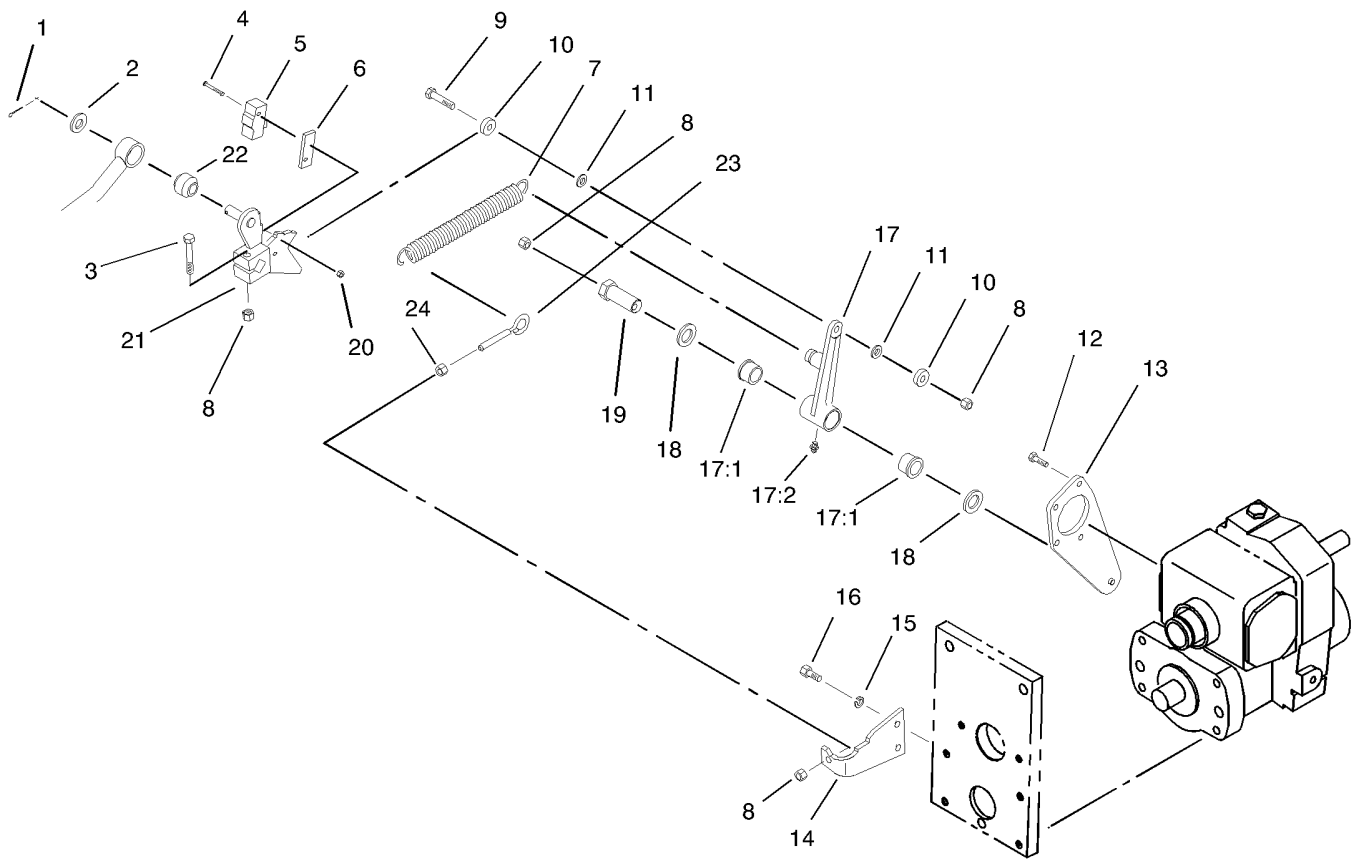
## Transmission Assembly

| <i>Ref.</i> | <i>Part Number</i> | <i>Qty.</i> | <i>Description</i>       | <i>Ref.</i> | <i>Part Number</i> | <i>Qty.</i> | <i>Description</i>  |
|-------------|--------------------|-------------|--------------------------|-------------|--------------------|-------------|---------------------|
| 1           | 92-4846            | 1           | Transmission Support ASM | 11:1        | 237-81             | 1           | O-Ring              |
| 1:1         | 75-3110            | 1           | Collar-Transmission      | 12          | 2412-129           | 2           | Clamp-Hose          |
| 1:2         | 92-4808            | 1           | Sleeve-Transmission      | 13          | 75-6350            | 1           | Hose                |
| 1:3         | 92-4809            | 1           | Support-Transmission     | 15          | 75-6340-03         | 1           | Filter              |
| 2           | 325-7              | 2           | Screw-HH                 | 16          | 354-75             | 1           | Fitting-HYD, 90 DEG |
| 3           | 93-0075            | 1           | Hose ASM                 | 16:1        | 237-81             | 1           | O-Ring              |
| 4           | 354-72             | 1           | Fitting-HYD              | 17          | 75-1330            | 1           | Element-Filter      |
| 5           | 340-3              | 2           | Adapter                  | 18          | 323-12             | 2           | Screw-HH            |
| 5:1         | 237-22             | 1           | O-Ring                   | 19          | 3253-21            | 2           | Washer-Lock         |
| 5:2         | 237-79             | 1           | O-Ring                   | 20          | 75-0012            | 1           | Transmission        |
| 6           | 93-0076            | 1           | Hose ASM                 | 21          | 3296-39            | 2           | Nut-Lock, NI        |
| 7           | 3296-23            | 2           | Nut-Lock, NI             | 22          | 237-161            | 1           | O-Ring              |
| 9           | 354-77             | 1           | Fitting-Quick            | 23          | 86-7220            | 1           | Gear-Pinion         |
| 9:1         | 237-78             | 1           | O-Ring                   | 24          | 32151-62           | 1           | Ring-Retaining      |
| 10          | 354-79             | 1           | Cap-Dust                 | 25          | 323-20             | 2           | Screw-HH            |
| 11          | 75-4720            | 1           | Fitting-Line, Suction    |             |                    |             |                     |



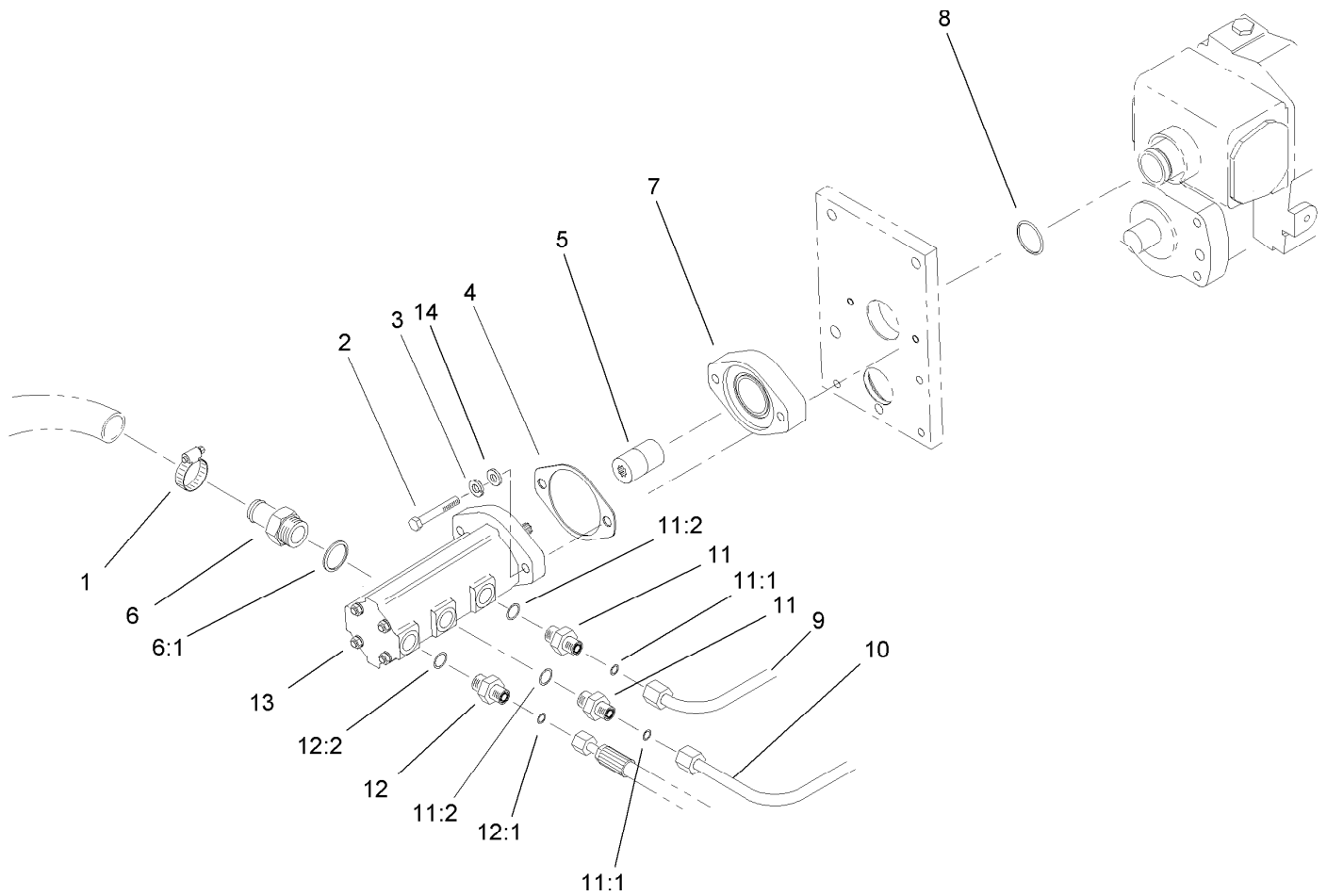
## Transmission Assembly No. 75-0012

| Ref. | Part Number | Qty. | Description           | Ref. | Part Number | Qty. | Description        |
|------|-------------|------|-----------------------|------|-------------|------|--------------------|
| 1    | 75-0020     | 1    | Housing               | 27   | 75-0280     | 1    | Spring             |
| 2    | 75-0030     | 1    | Gasket-Housing        | 28   | 75-0290     | 2    | Spring             |
| 3    | 75-0040     | 1    | Section-Center        | 30   | 75-0310     | 1    | Shim               |
| 4    | 83-4780     | 1    | Housing-Pump, Charge  | 31   | 75-0320     | 1    | Nipple             |
| 5    | 75-0060     | 4    | Plug                  | 32   | 75-0330     | 1    | Seal-Lip           |
| 6    | 75-0070     | 1    | Plug                  | 33   | 75-0340     | 1    | Bearing-Needle     |
| 7    | 86-7520     | 1    | RH Trunnion Cover ASM | 34   | 75-0350     | 1    | Pin                |
| 8    | 75-0090     | 8    | Capscrew-HH           | 35   | 75-0360     | 1    | Gerotor            |
| 9    | 86-7530     | 1    | LH Trunnion Cover ASM | 36   | 75-0370     | 1    | O-Ring             |
| 10   | 75-0110     | 2    | Capscrew-HH           | 37   | 75-0380     | 1    | Plate-Valve        |
| 11   | 75-0120     | 1    | Capscrew-HH           | 38   | 75-0390     | 1    | Plate-Swash        |
| 12   | 75-0130     | 3    | Capscrew-HH           | 39   | 75-0400     | 2    | Plate-Thrust       |
| 13   | 75-0140     | 2    | Spring-Conical        | 40   | 75-0410     | 1    | O-Ring             |
| 14   | 75-0150     | 1    | Guide-Seal            | 41   | 86-7540     | 1    | Shaft-Pump         |
| 15   | 75-0160     | 1    | Plug-Pipe             | 42   | 75-0430     | 1    | Ring-Retaining     |
| 16   | 75-0170     | 4    | Plug-Thread, Straight | 43   | 75-0440     | 1    | Shaft-Motor        |
| 16:1 | 92-8777     | 1    | O-Ring                | 44   | 75-0450     | 1    | Collar             |
| 17   | 75-0180     | 2    | Capscrew-HH           | 45   | 75-0460     | 2    | Bearing-Ball       |
| 18   | 75-0190     | 2    | Plug-Special          | 46   | 75-0470     | 2    | Cylinder Block Kit |
| 19   | 75-0200     | 2    | Plug-Thread, Straight | 47   | 75-0480     | 2    | Pin                |
| 20   | 75-0210     | 2    | O-Ring                | 49   | 75-0500     | 2    | Bearing-Needle     |
| 21   | 75-0220     | 2    | Pin                   | 50   | 75-0510     | 1    | Pin                |
| 22   | 75-0230     | 1    | Seal-Lip              | 51   | 75-0520     | 1    | Bearing-Ball       |
| 23   | 75-0240     | 6    | O-Ring                | 52   | 75-6930     | 1    | Valve-Screw        |
| 24   | 75-0250     | 1    | Spring                | 53   | 32120-74    | 1    | Ring-Snap          |
| 25   | 75-0260     | 4    | Valve-Relief          | 55   | 93-0097     | 1    | Valve-Screw        |
| 26   | 75-0270     | 1    | Spring                | 56   | 93-0083     | 1    | Plate-Valve        |



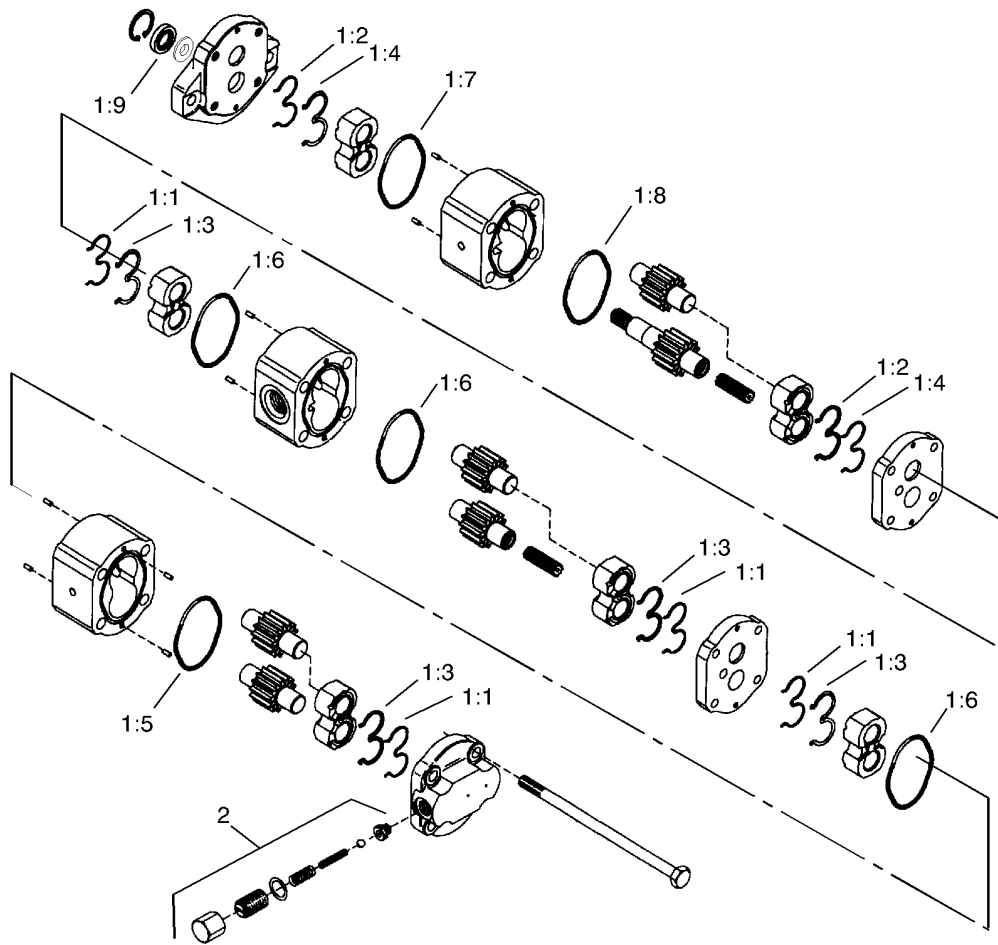
## Traction Control Assembly

| <i>Ref.</i> | <i>Part Number</i> | <i>Qty.</i> | <i>Description</i> | <i>Ref.</i> | <i>Part Number</i> | <i>Qty.</i> | <i>Description</i>     |
|-------------|--------------------|-------------|--------------------|-------------|--------------------|-------------|------------------------|
| 1           | 3272-10            | 1           | Pin-Cotter         | 14          | 85-9900-03         | 1           | Plate-Anchor, Spring   |
| 2           | 3256-26            | 1           | Washer-Flat        | 15          | 3253-4             | 2           | Washer-Lock            |
| 3           | 322-10             | 1           | Screw-HH           | 16          | 322-3              | 2           | Screw-HH               |
| 4           | 32105-21           | 2           | Screw-HH           | 17          | 92-2581            | 1           | Neutral Switch Arm ASM |
| 5           | 29-6162            | 1           | Switch-Micro       | 17:1        | 256-113            | 2           | Bushing-Flange         |
| 6           | 75-4130            | 1           | Plate-Switch       | 17:2        | 302-5              | 1           | Fitting-Grease         |
| 7           | 76-9430-03         | 1           | Spring-Extention   | 18          | 3-6498             | 2           | Washer-Thrust          |
| 8           | 3296-29            | 4           | Nut-Lock, NI       | 19          | 76-8640            | 1           | Stud-Traction          |
| 9           | 322-7              | 1           | Screw-HH           | 20          | 3296-9             | 2           | Nut-Lock               |
| 10          | 251-307            | 2           | Bearing-Ball       | 21          | 75-4100-03         | 1           | Control-Pump           |
| 11          | 75-5470            | 2           | Spacer-Bearing     | 22          | 23-2270            | 1           | Bushing-Rubber         |
| 12          | 321-5              | 4           | Screw-HH           | 23          | 85-9910            | 1           | Eyebolt                |
| 13          | 104-1480-03        | 1           | Traction Plate ASM | 24          | 3217-6             | 1           | Nut-Hex                |



## Gear Pump Installation Assembly

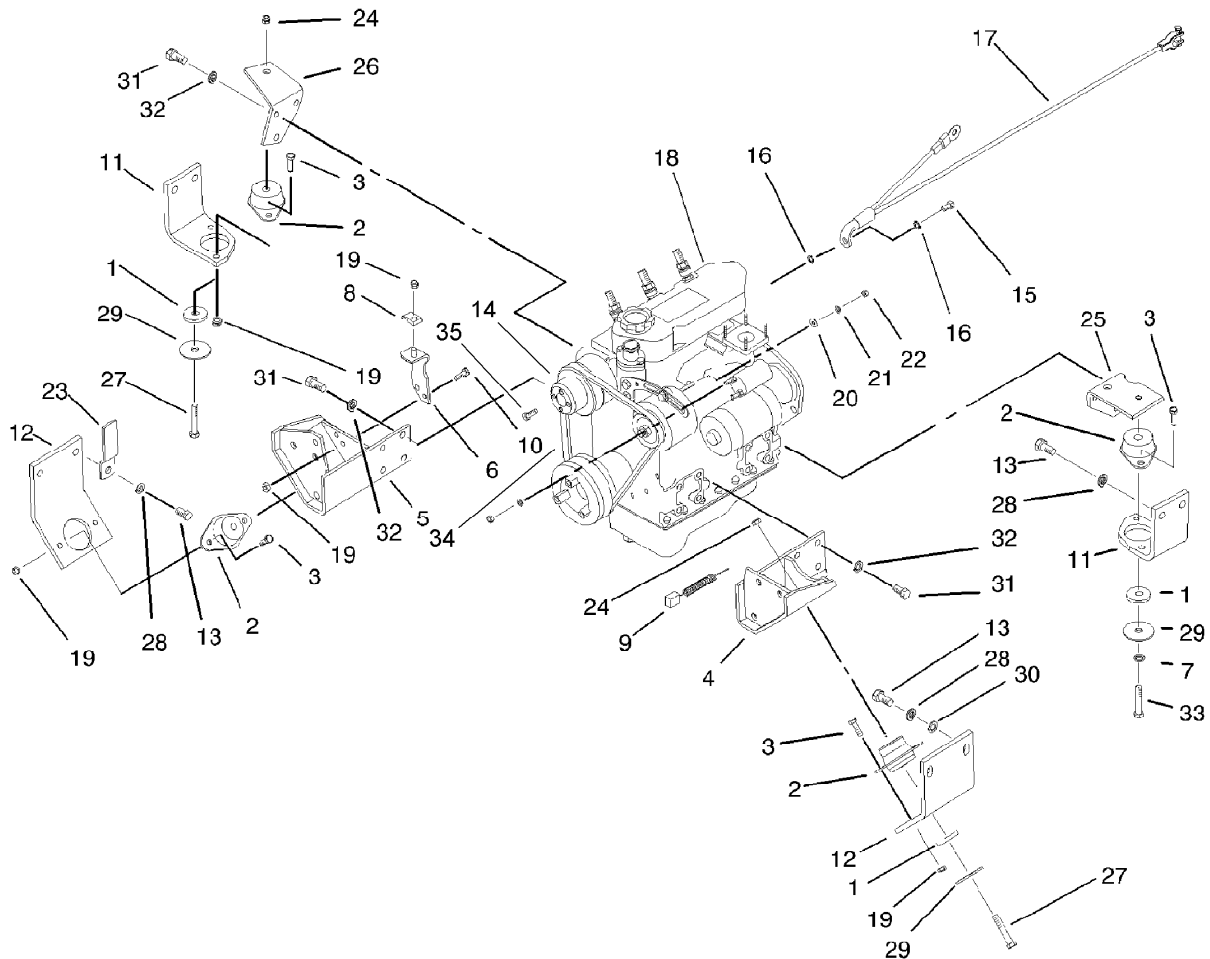
| <i>Ref.</i> | <i>Part Number</i> | <i>Qty.</i> | <i>Description</i>    |
|-------------|--------------------|-------------|-----------------------|
| 1           | 2412-34            | 1           | Clamp-Hose            |
| 2           | 323-12             | 2           | Screw-HH              |
| 3           | 3253-5             | 2           | Washer-Lock           |
| 4           | 93-3604            | 1           | Gasket                |
| 5           | 93-1396            | 1           | Coupler               |
| 6           | 354-78             | 1           | Connector-Hose        |
| 6:1         | 237-146            | 1           | O-Ring                |
| 7           | 75-4400-03         | 1           | Adaptor               |
| 8           | 237-163            | 1           | O-Ring                |
| 9           | 93-3642            | 1           | Tube-Pump, Port 1     |
| 10          | 93-3643            | 1           | Tube-Pump, Port 2     |
| 11          | 340-4              | 2           | Fitting-HYD, Straight |
| 11:1        | 237-30             | 1           | O-Ring                |
| 11:2        | 237-79             | 1           | O-Ring                |
| 12          | 340-3              | 1           | Adapter               |
| 12:1        | 237-22             | 1           | O-Ring                |
| 12:2        | 237-79             | 1           | O-Ring                |
| 13          | 107-2380           | 1           | Pump-Gear             |
| 14          | 48-9220            | 2           | Washer                |



## Gear Pump Assembly No. 107-2380

| <i>Ref.</i> | <i>Part Number</i> | <i>Qty.</i> | <i>Description</i>       |
|-------------|--------------------|-------------|--------------------------|
| 1           | 104-0576           | 1           | Seal Kit                 |
| 1:1         |                    | 4           | Seal-Extrusion, Anti ●   |
| 1:2         |                    | 2           | Seal-Extrusion, Anti ●   |
| 1:3         |                    | 4           | Seal-Loading, Pressure ● |
| 1:4         |                    | 2           | Seal-Loading, Pressure ● |
| 1:5         |                    | 1           | Seal-Dust ●              |
| 1:6         |                    | 3           | Seal-Dust ●              |
| 1:7         |                    | 1           | Seal-Dust ●              |
| 1:8         |                    | 1           | Seal-Dust ●              |
| 1:9         |                    | 1           | Seal-Shaft ●             |
| 2           | 104-0577           | 1           | Cover / Relief Valve ASM |

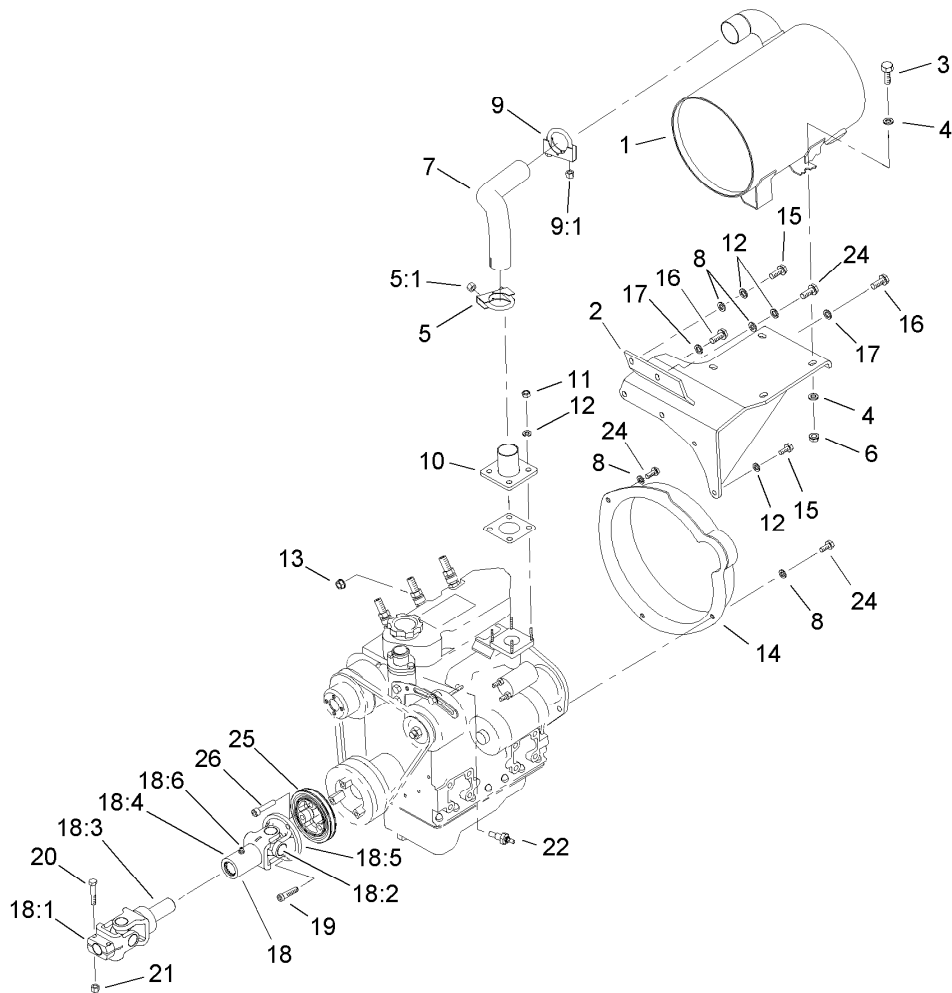
● Not serviced separately



## Engine Installation Assembly

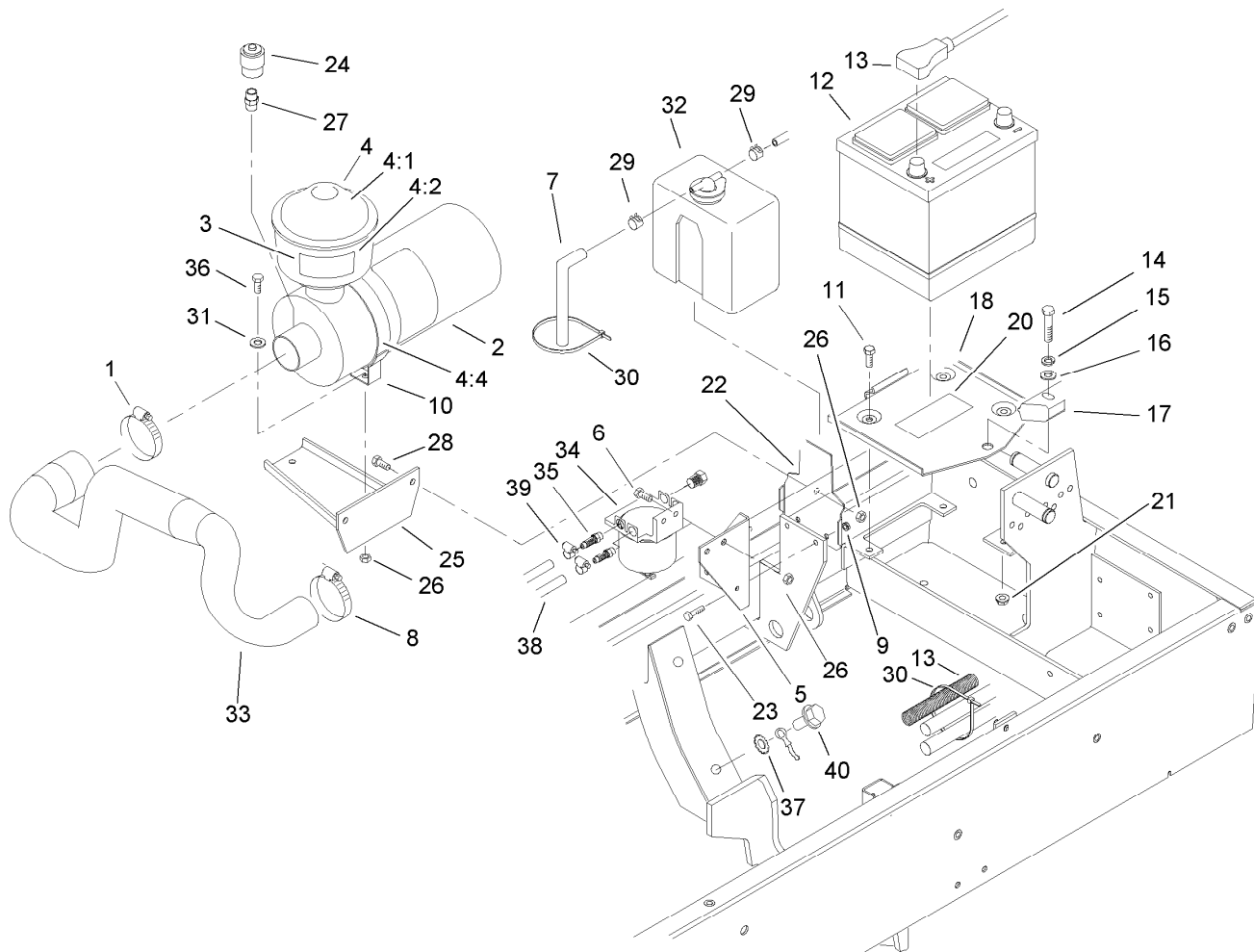
| Ref. | Part Number | Qty. | Description                |
|------|-------------|------|----------------------------|
| 1    | 83-1050     | 4    | Spacer                     |
| 2    | 83-1030     | 4    | Mount-Engine               |
| 3    | 322-5       | 8    | Screw-HH                   |
| 4    | 98-4539-03  | 1    | Bracket-Engine Mount, LH   |
| 5    | 98-4543-03  | 1    | Bracket-Engine Mount, RH   |
| 6    | 98-9749     | 1    | Plate-Throttle             |
| 7    | 3253-21     | 1    | Washer-Lock                |
| 8    | 3-6657      | 1    | Clip-Skid                  |
| 9    | 99-3441     | 1    | Harness-Wire, Fusible Link |
| 10   | 322-4       | 2    | Screw-HH                   |
| 11   | 98-4513-03  | 2    | Bracket-Engine, Rear       |
| 12   | 93-0095-03  | 2    | Bracket-Engine, Front      |
| 13   | 3213-2      | 8    | Screw-HH                   |
| 14   | 98-9584     | 1    | Pulley-Fan                 |
| 15   | 98-9322     | 1    | Screw-HSH                  |
| 16   | 3255-9      | 2    | Washer-Lock                |
| 17   | 98-4598     | 1    | Cable-Battery, Negative    |
| 18   | 106-7777    | 1    | Engine ASM                 |

| Ref. | Part Number | Qty. | Description             |
|------|-------------|------|-------------------------|
| 19   | 3296-29     | 11   | Nut-Lock, NI            |
| 20   | 3256-78     | 1    | Washer-Flat             |
| 21   | 43-5930     | 1    | Washer-Lock, Spring     |
| 22   | 48-7890     | 1    | Nut-Hex                 |
| 23   | 98-4594     | 1    | Clamp-Retainer          |
| 24   | 32128-36    | 3    | Nut-HF                  |
| 25   | 98-4515-03  | 1    | Bracket-Rear Engine, LH |
| 26   | 98-4514-03  | 1    | Bracket-Rear Engine, RH |
| 27   | 323-12      | 3    | Screw-HH                |
| 28   | 3253-7      | 8    | Washer-Lock             |
| 29   | 87-5100     | 4    | Washer-Snubbing         |
| 30   | 3256-40     | 4    | Washer-Flat             |
| 31   | 43-0090     | 14   | Screw-HH                |
| 32   | 42-9600     | 14   | Washer-Lock, Spring     |
| 33   | 323-10      | 1    | Screw-HH                |
| 34   | 98-9676     | 1    | V-Belt                  |
| 35   | 81-1280     | 4    | Screw-HHF               |



## Muffler and Pump Drive Assembly

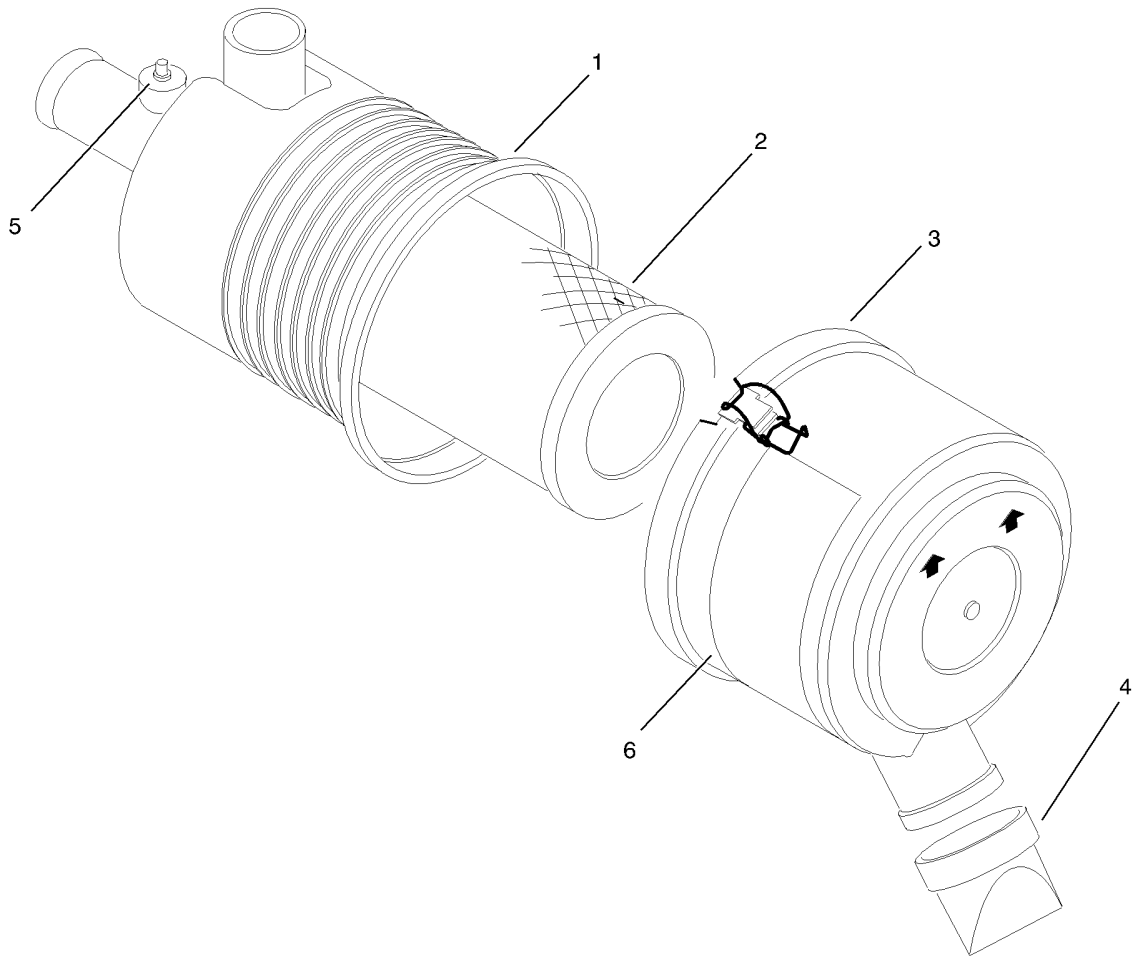
| Ref. | Part Number | Qty. | Description          | Ref. | Part Number | Qty. | Description           |
|------|-------------|------|----------------------|------|-------------|------|-----------------------|
| 1    | 107-2379    | 1    | Muffler-Exhaust      | 16   | 43-0090     | 2    | Screw-HH              |
| 2    | 98-4555-03  | 1    | Muffler Bracket ASM  | 17   | 42-9600     | 2    | Washer-Lock, Spring   |
| 3    | 323-7       | 4    | Screw-HH             | 18   | 106-7751    | 1    | Driveshaft ASM        |
| 4    | 3256-4      | 8    | Washer-Flat          | 18:1 | 54-9040     | 1    | Yoke-End              |
| 5    | 2112-9      | 1    | Clamp                | 18:2 | 100-2356    | 2    | Cross And Bearing Kit |
| 5:1  | 32128-20    | 2    | Nut-HF               | 18:3 | 108-0632    | 1    | Yoke And Shaft ASM    |
| 6    | 3296-39     | 4    | Nut-Lock, NI         | 18:4 | 108-0633    | 1    | Yoke-Telescoping      |
| 7    | 98-9745     | 1    | Tube-Exhaust         | 18:5 | 108-0644    | 1    | Yoke                  |
| 8    | 3256-23     | 5    | Washer-Flat          | 18:6 | 302-5       | 1    | Fitting-Grease        |
| 9    | 2112-6      | 1    | Clamp-Muffler        | 19   | 98-9322     | 3    | Screw-HSH             |
| 9:1  | 3218-2      | 2    | Nut-Jam              | 20   | 322-9       | 2    | Screw-HH              |
| 10   | 98-4527     | 1    | Pipe-Exhaust, Engine | 21   | 3296-29     | 2    | Nut-Lock, NI          |
| 11   | 33014-00    | 4    | Nut-Hex              | 22   | 98-9346     | 1    | Sender-Temperature    |
| 12   | 42-9850     | 7    | Washer-Lock, Spring  | 24   | 33114-020   | 4    | Screw-HH              |
| 13   | 33024-00    | 1    | Nut-Lock, NI         | 25   | 106-7756    | 1    | Pulley                |
| 14   | 105-7505    | 1    | Guard-Flywheel       | 26   | 3274-106    | 3    | Screw-HSH             |
| 15   | 33114-025   | 3    | Screw-HH             |      |             |      |                       |



## Engine Components Assembly

| Ref. | Part Number | Qty. | Description             | Ref. | Part Number | Qty. | Description              |
|------|-------------|------|-------------------------|------|-------------|------|--------------------------|
| 1    | 2412-42     | 1    | Clamp-Hose              | 20   | 93-7276     | 1    | Decal-Danger             |
| 2    | 98-4517     | 1    | Air Cleaner ASM         | 21   | 32128-20    | 1    | Nut-HF                   |
| 3    | 93-6692     | 1    | Decal-Fluid, Starting   | 22   | 98-4576-03  | 1    | Bracket-Reservoir, Water |
| 4    | 48-7430     | 1    | Precleaner              | 23   | 321-5       | 2    | Screw-HH                 |
| 4:1  | 33-1260     | 1    | Cover ASM               | 24   | 93-9164     | 1    | Indicator-Mini           |
| 4:2  | 33-1270     | 1    | Bowl-Clear              | 25   | 98-4518-03  | 1    | Bracket-Cleaner, Air     |
| 4:3  | 62-6300     | 1    | Sleeve ASM ●            | 26   | 3296-29     | 6    | Nut-Lock, NI             |
| 4:4  | 94-6873     | 1    | Clamp                   | 27   | 94-1416     | 1    | Adapter-Indicator        |
| 5    | 98-4578-03  | 1    | Bracket-Filter, Fuel    | 28   | 322-5       | 2    | Screw-HH                 |
| 6    | 3234-29     | 2    | Screw-HHF               | 29   | 92-2379     | 2    | Clamp-Hose               |
| 7    | 63-7630     | 1    | Hose-Fuel               | 30   | 3290-378    | 2    | Tie-Cable                |
| 8    | 2412-92     | 1    | Clamp-Hose              | 31   | 3256-23     | 2    | Washer-Flat              |
| 9    | 32128-33    | 2    | Nut-HF                  | 32   | 104-9318    | 1    | Overflow Bottle ASM      |
| 10   | 98-4525     | 1    | Bracket-Cleaner, Air    | 33   | 98-4510     | 1    | Hose-Cleaner, Air        |
| 11   | 322-4       | 3    | Screw-HH                | 34   | 98-9305     | 1    | Water / Fuel Filter ASM  |
| 12   | 106-5187    | 1    | Battery-Dry             | 35   | 353-783     | 2    | Fitting-Straight         |
| 13   | 104-0086    | 1    | Cable-Battery, Positive | 36   | 322-6       | 2    | Screw-HH                 |
| 14   | 323-9       | 1    | Screw-HH                | 37   | 3255-8      | 1    | Washer-Lock              |
| 15   | 3253-21     | 1    | Washer-Lock             | 38   | 63-7622     | 1    | Hose-Fuel                |
| 16   | 3256-24     | 1    | Washer-Flat             | 39   | 2412-108    | 4    | Clamp-Worm               |
| 17   | 66-2490     | 1    | Retainer-Battery        | 40   | 32144-14    | 1    | Screw-HWHTF              |
| 18   | 94-7343     | 1    | Battery Base ASM        | 99   | 3290-379    | 1    | Tie-Cable ●              |

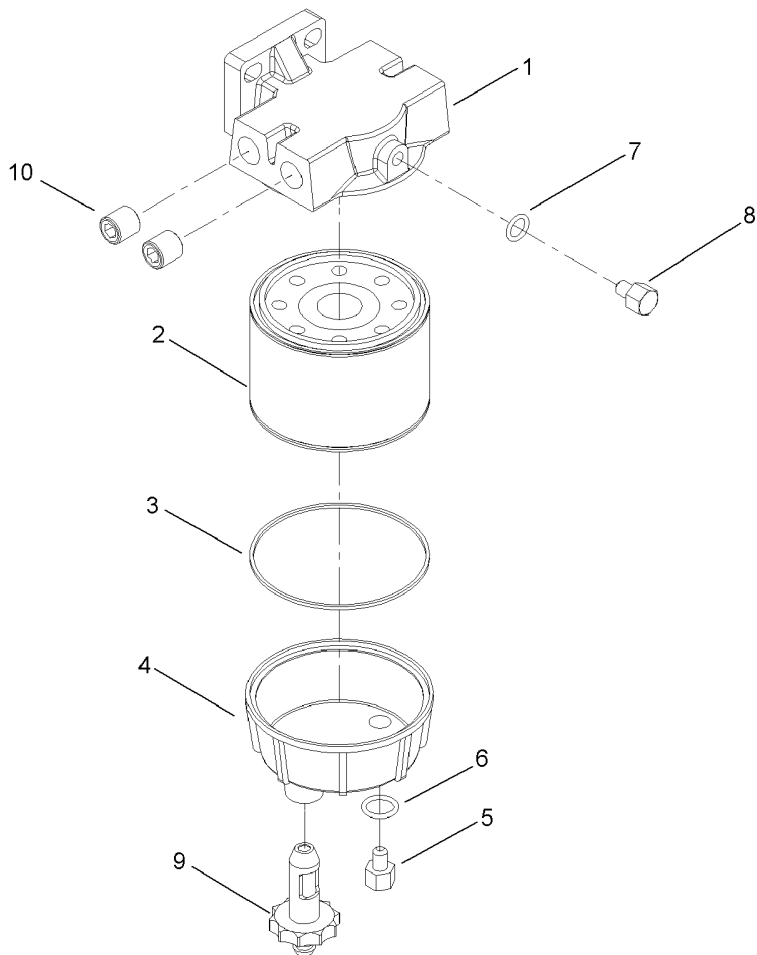
● Not illustrated



## Air Cleaner Assembly No. 98-4517

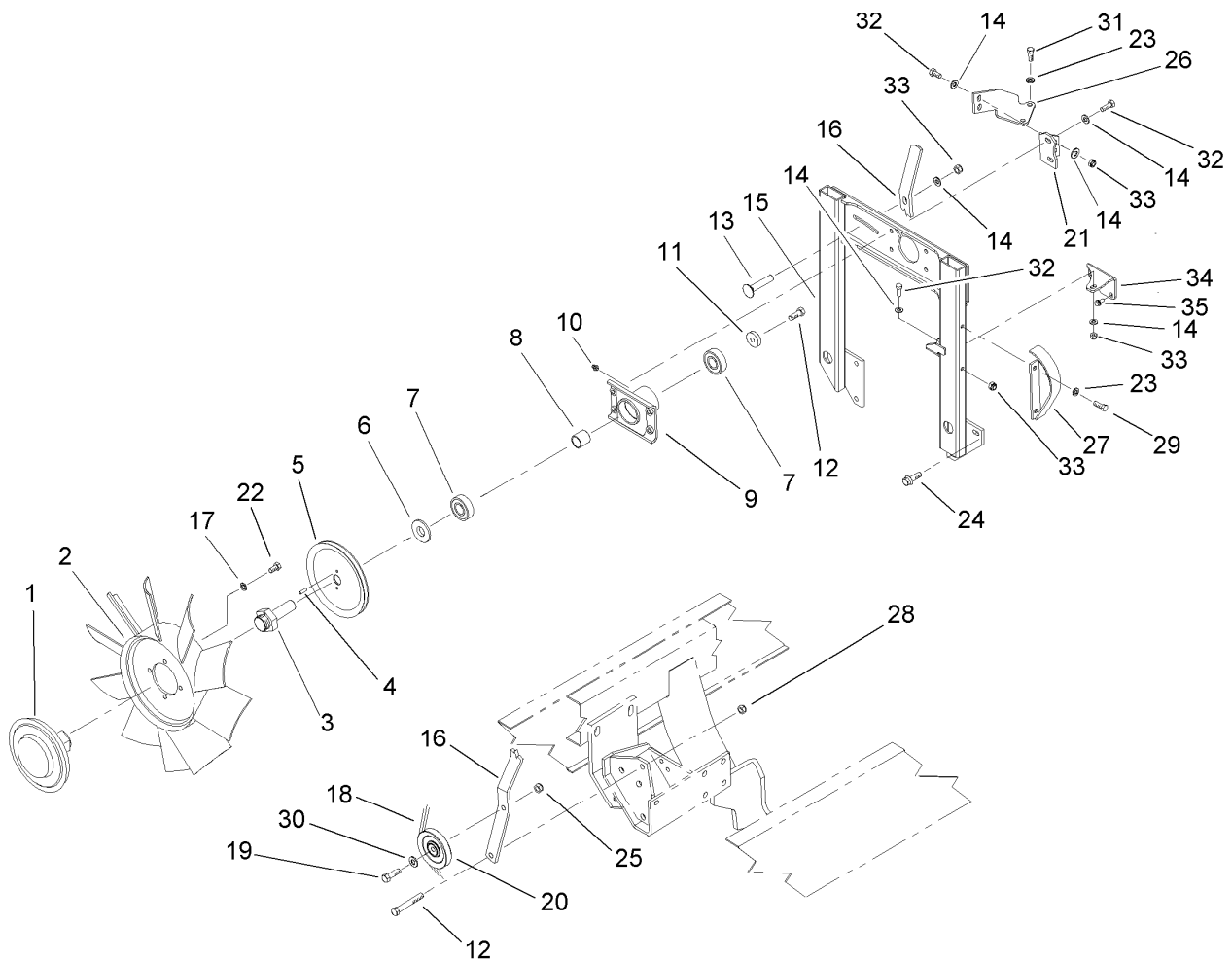
| <i>Ref.</i> | <i>Part Number</i> | <i>Qty.</i> | <i>Description</i> |
|-------------|--------------------|-------------|--------------------|
| 1           |                    | 1           | Body ASM ●         |
| 2           | 98-9763            | 1           | Element ASM        |
| 3           | 98-9771            | 1           | Cover ASM          |
| 4           | 87-9400            | 1           | Valve-Vacuator     |
| 5           |                    | 1           | Plug ●             |
| 6           | 98-9788            | 1           | Decal-Instruction  |

● Not serviced separately



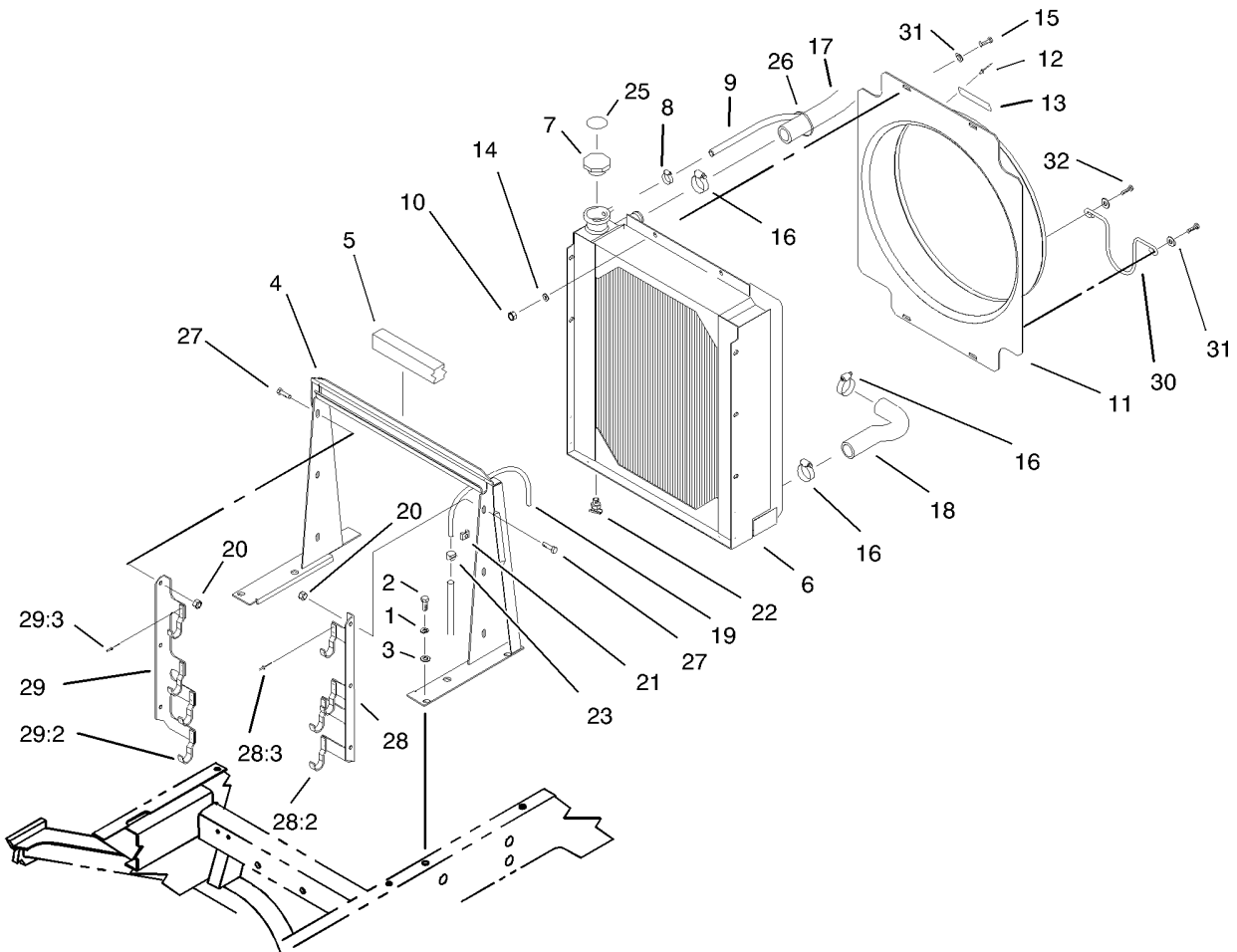
## Water and Fuel Filter Assembly No. 98-9305

| <i>Ref.</i> | <i>Part Number</i> | <i>Qty.</i> | <i>Description</i> |
|-------------|--------------------|-------------|--------------------|
| 1           | 98-9772            | 1           | Head-Filter        |
| 2           | 98-9764            | 1           | Element            |
| 3           | 98-9774            | 1           | O-Ring             |
| 4           | 98-9775            | 1           | Base-Filter        |
| 5           | 98-9773            | 1           | Plug-Base, Filter  |
| 6           | 237-42             | 1           | O-Ring             |
| 7           | 237-78             | 1           | O-Ring             |
| 8           | 98-9776            | 1           | Plug-Head, Filter  |
| 9           | 98-9777            | 1           | Drain Valve ASM    |
| 10          | 285-22             | 2           | Plug-Pipe          |



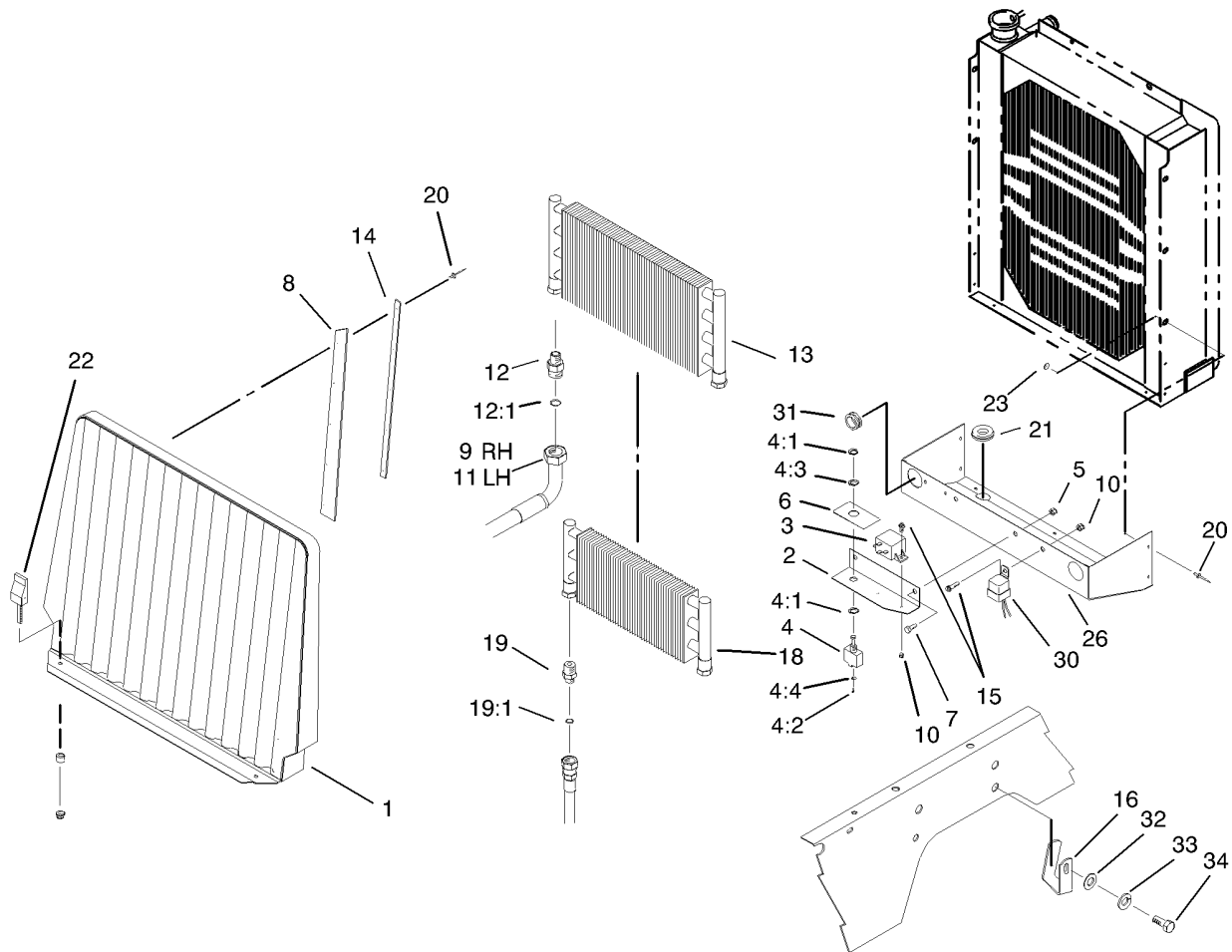
## Fan Drive Assembly

| <i>Ref.</i> | <i>Part Number</i> | <i>Qty.</i> | <i>Description</i> | <i>Ref.</i> | <i>Part Number</i> | <i>Qty.</i> | <i>Description</i>   |
|-------------|--------------------|-------------|--------------------|-------------|--------------------|-------------|----------------------|
| 1           | 74-5520            | 1           | Clutch-Fan         | 19          | 323-8              | 1           | Screw-HH             |
| 2           | 75-3780            | 1           | Fan-Engine         | 20          | 63-8140            | 1           | Pulley-Idler         |
| 3           | 75-6380            | 1           | Shaft-Fan          | 21          | 98-9740            | 1           | Bracket-Fan, Support |
| 4           | 104-9312           | 2           | Pin-Grooved        | 22          | 322-2              | 4           | Screw-HH             |
| 5           | 98-9313-03         | 1           | Pulley-Fan         | 23          | 42-9850            | 4           | Washer-Lock, Spring  |
| 6           | 104-9259           | 1           | Washer-Thrust      | 24          | 3234-29            | 6           | Screw-HHF            |
| 7           | 251-318            | 2           | Bearing-Ball       | 25          | 3296-59            | 1           | Nut-Lock, NI         |
| 8           | 104-0001           | 1           | Spacer             | 26          | 98-9741            | 1           | Bracket-Mount, Fan   |
| 9           | 75-4450-03         | 1           | Hub ASM            | 27          | 98-4561-03         | 1           | Shield-Alternator    |
| 10          | 302-2              | 1           | Fitting-Grease     | 28          | 3296-39            | 1           | Nut-Lock, NI         |
| 11          | 67-1630            | 1           | Spacer             | 29          | 32144-14           | 2           | Screw-HWHTF          |
| 12          | 323-6              | 2           | Screw-HH           | 30          | 80-6990            | 1           | Washer-Hardened      |
| 13          | 3230-2             | 1           | Bolt-CARR          | 31          | 33114-016          | 2           | Screw-HH             |
| 14          | 3256-23            | 9           | Washer-Flat        | 32          | 322-4              | 7           | Screw-HH             |
| 15          | 107-8849-03        | 1           | Fan Support ASM    | 33          | 3296-29            | 4           | Nut-Lock, NI         |
| 16          | 98-4575-03         | 1           | Lever-Idler, Fan   | 34          | 106-7752           | 1           | Bracket-Support, Fan |
| 17          | 3253-4             | 4           | Washer-Lock        | 35          | 33103-016          | 2           | Screw-HHF            |
| 18          | 98-9312            | 1           | V-Belt             |             |                    |             |                      |



## Radiator Assembly

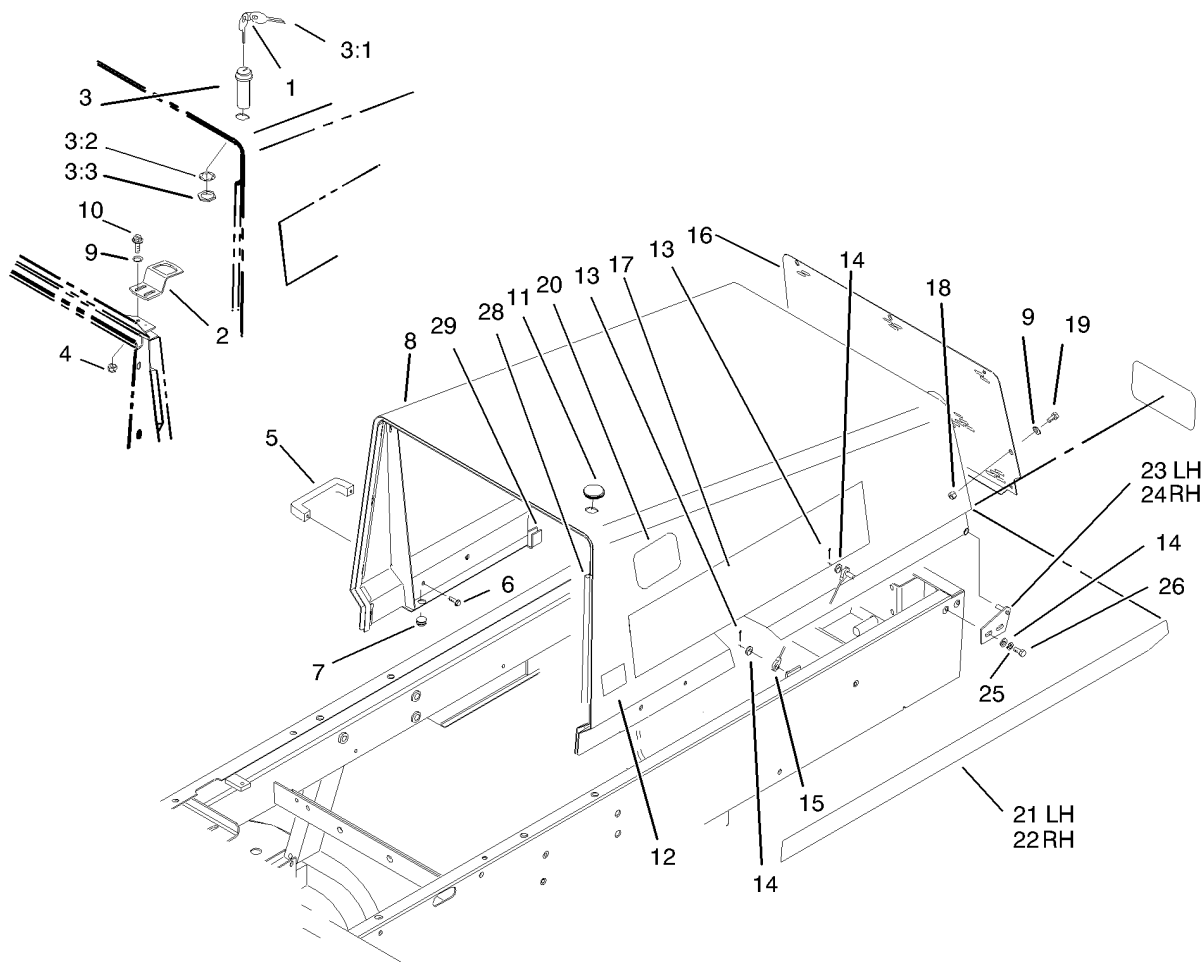
| <i>Ref.</i> | <i>Part Number</i> | <i>Qty.</i> | <i>Description</i>       | <i>Ref.</i> | <i>Part Number</i> | <i>Qty.</i> | <i>Description</i>  |
|-------------|--------------------|-------------|--------------------------|-------------|--------------------|-------------|---------------------|
| 1           | 3253-4             | 4           | Washer-Lock              | 19          | 66-3180            | 1           | Tube-Vent           |
| 2           | 322-5              | 4           | Screw-HH                 | 20          | 32128-20           | 6           | Nut-HF              |
| 3           | 3256-23            | 4           | Washer-Flat              | 21          | 2412-103           | 1           | Clamp               |
| 4           | 98-9317-03         | 1           | Support-Radiator         | 22          | 304-46             | 1           | Draincock           |
| 5           | 93-0005            | 1           | Strip-Foam, Radiator Top | 23          | 2412-98            | 1           | Clamp-Hose          |
| 6           | 98-4507            | 1           | Radiator                 | 25          | 106-5976           | 1           | Decal-Warning       |
| 7           | 66-3240            | 1           | Cap-Radiator             | 26          | 3290-379           | 1           | Tie-Cable           |
| 8           | 92-2379            | 1           | Clamp-Hose               | 27          | 3234-5             | 6           | Screw-HHF           |
| 9           | 75-2851            | 1           | Hose-Fuel                | 28          | 99-6991            | 1           | LH Cooler Mount ASM |
| 10          | 3296-42            | 4           | Nut-Lock, NI             | 28:2        | 75-0930            | 4           | Hook-Mount, Cooler  |
| 11          | 98-4571            | 1           | Shroud-Fan               | 28:3        | 3269-15            | 8           | Rivet-Pop           |
| 12          | 3290-55            | 2           | Rivet-Pop                | 29          | 99-6994            | 1           | RH Cooler Mount ASM |
| 13          | 98-9335            | 1           | Plate-Warning, Fan       | 29:2        | 75-0930            | 4           | Hook-Mount, Cooler  |
| 14          | 3256-22            | 4           | Washer-Flat              | 29:3        | 3269-15            | 8           | Rivet-Pop           |
| 15          | 321-4              | 2           | Screw-HH                 | 30          | 104-1448           | 1           | Hoop-Driveline      |
| 16          | 2412-34            | 4           | Clamp-Hose               | 31          | 3256-55            | 4           | Washer-Flat         |
| 17          | 98-4511            | 1           | Hose-Radiator, Upper     | 32          | 321-6              | 2           | Screw-HH            |
| 18          | 98-4512            | 1           | Hose-Radiator, Lower     |             |                    |             |                     |



## Oil Cooler and Radiator Assembly

| Ref. | Part Number | Qty. | Description             |
|------|-------------|------|-------------------------|
| 1    | 93-0032-03  | 1    | Housing-Screen, Front   |
| 2    | 75-3390-03  | 1    | Bracket-Backlap         |
| 3    | 66-8800     | 1    | Relay                   |
| 4    | 99-8352     | 1    | Switch-Backlap, Master  |
| 4:1  | 218-498     | 2    | Nut-Lock                |
| 4:2  | 218-588     | 3    | Screw                   |
| 4:3  | 218-589     | 1    | Washer                  |
| 4:4  | 3253-19     | 3    | Washer-Lock             |
| 5    | 3296-29     | 2    | Nut-Lock, NI            |
| 6    | 93-6684     | 1    | Decal-Backlap           |
| 7    | 322-2       | 2    | Screw-HH                |
| 8    | 93-3623     | 2    | Strip-Sealing, Radiator |
| 9    | 93-0077     | 1    | Hose ASM                |
| 10   | 3296-42     | 3    | Nut-Lock, NI            |
| 11   | 93-0078     | 1    | Hose ASM                |
| 12   | 92-4999     | 2    | Fitting                 |
| 12:1 | 237-65      | 1    | O-Ring                  |

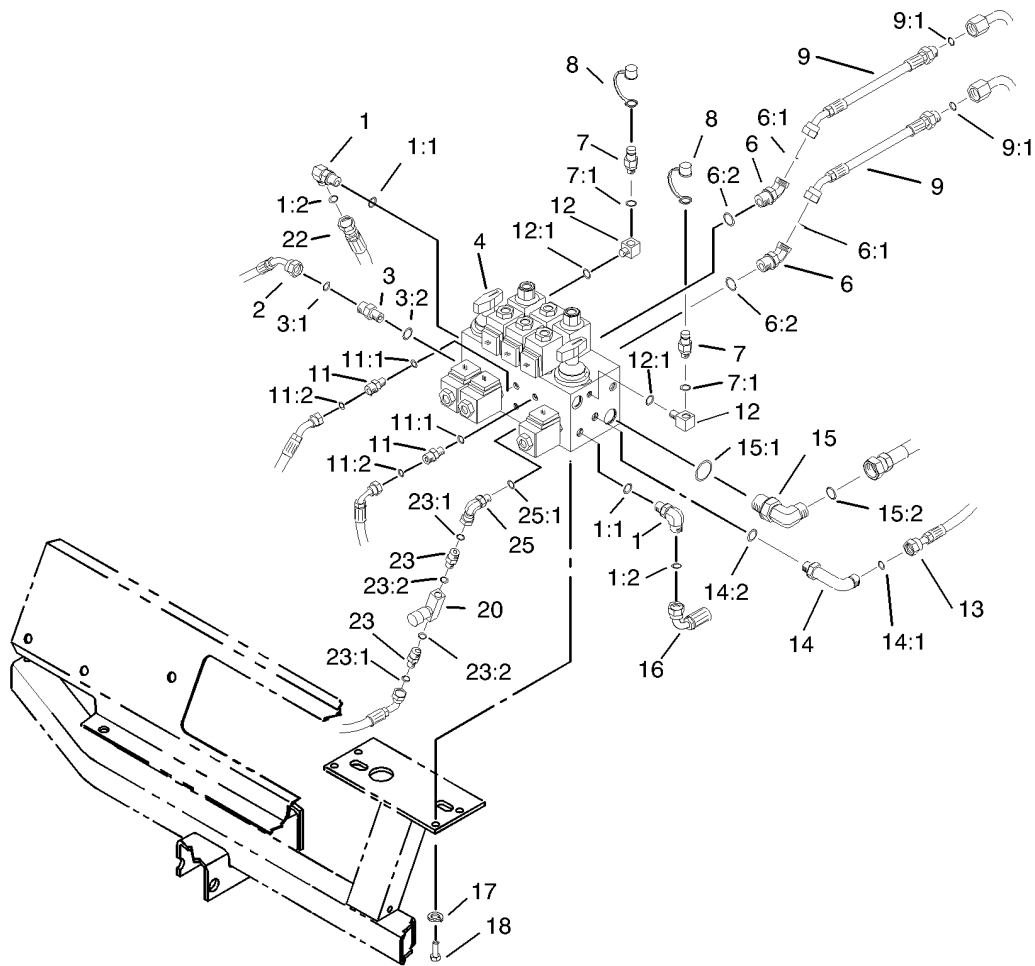
| Ref. | Part Number | Qty. | Description     |
|------|-------------|------|-----------------|
| 13   | 75-1040     | 1    | Cooler-Oil      |
| 14   | 93-3624-03  | 2    | Plate-Retaining |
| 15   | 321-4       | 3    | Screw-HH        |
| 16   | 98-3928     | 2    | Clamp-Hose      |
| 18   | 24-0760     | 1    | Cooler ASM      |
| 19   | 340-124     | 2    | Adapter         |
| 19:1 | 237-22      | 1    | O-Ring          |
| 20   | 3269-13     | 15   | Rivet-Pop       |
| 21   | 100-3815    | 2    | Grommet-Rubber  |
| 22   | 93-1374     | 2    | Latch-Swell     |
| 23   | 3269-10     | 5    | Washer-Back     |
| 26   | 104-9257-03 | 1    | Shield-Radiator |
| 30   | 70-1480     | 1    | Relay           |
| 31   | 240-3       | 2    | Grommet-Rubber  |
| 32   | 3256-26     | 2    | Washer-Flat     |
| 33   | 3253-7      | 2    | Washer-Lock     |
| 34   | 325-5       | 2    | Screw-HH        |



## Hood Assembly

| Ref. | Part Number | Qty. | Description        | Ref. | Part Number | Qty. | Description             |
|------|-------------|------|--------------------|------|-------------|------|-------------------------|
| 1    | 98-9321     | 1    | Ring-Key           | 14   | 3256-23     | 6    | Washer-Flat             |
| 2    | 98-9316     | 1    | Latch-Hood         | 15   | 75-0570     | 1    | Cable-Hood              |
| 3    | 98-9315     | 1    | Latch-Locking      | 16   | 98-4573-03  | 1    | Screen-Hood, Rear       |
| 3:1  | 99-8350     | 2    | Key-Latch, Locking | 17   | 106-7061    | 2    | Decal                   |
| 3:2  |             | 1    | Washer-Switch ●    | 18   | 3296-42     | 7    | Nut-Lock, NI            |
| 3:3  |             | 1    | Nut-Switch ●       | 19   | 321-39      | 7    | Screw-HH                |
| 4    | 3296-16     | 2    | Nut-Lock, NI       | 20   | 66-6140     | 2    | Decal                   |
| 5    | 65-5100     | 2    | Handle-Door        | 21   | 92-5751     | 1    | Decal-Hood, LH          |
| 6    | 46-8091     | 4    | Screw-HWH          | 22   | 92-5752     | 1    | Decal-Hood, RH          |
| 7    | 237-141     | 2    | Grommet-Rubber     | 23   | 63-6900-01  | 1    | LH Hood Hinge Plate ASM |
| 8    | 98-9746     | 1    | Hood ASM           | 24   | 63-6890-01  | 1    | RH Hood Hinge Plate ASM |
| 9    | 3256-1      | 9    | Washer-Flat        | 25   | 3253-4      | 4    | Washer-Lock             |
| 10   | 321-4       | 2    | Screw-HH           | 26   | 322-5       | 4    | Screw-HH                |
| 11   | 98-9314     | 1    | Grommet            | 28   | 93-0081     | 1    | Strip-Seal              |
| 12   | 93-7252     | 1    | Decal              | 29   | 99-8975     | 1    | Strip-Seal              |
| 13   | 3272-4      | 2    | Pin-Cotter         |      |             |      |                         |

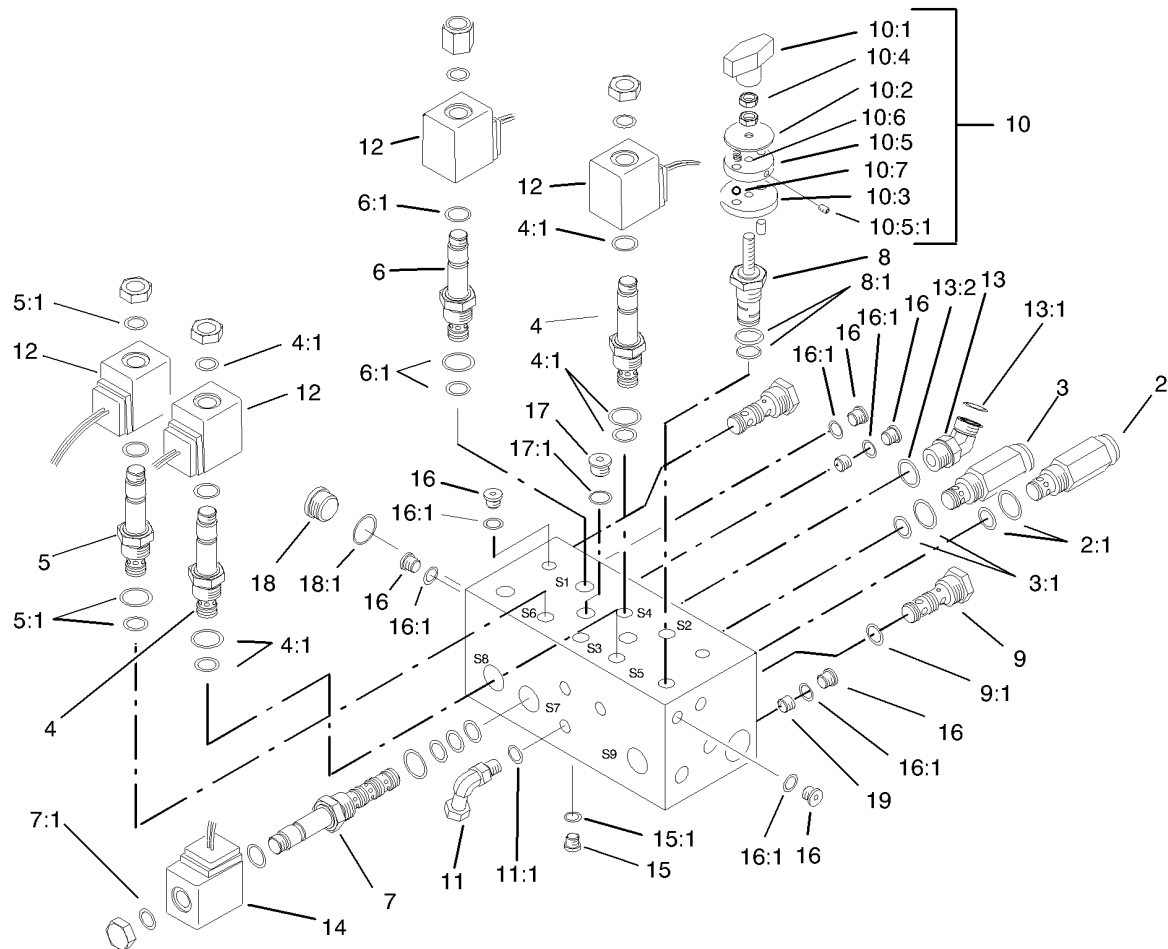
● Not serviced separately



## Hydraulic Control Block and Hoses Assembly

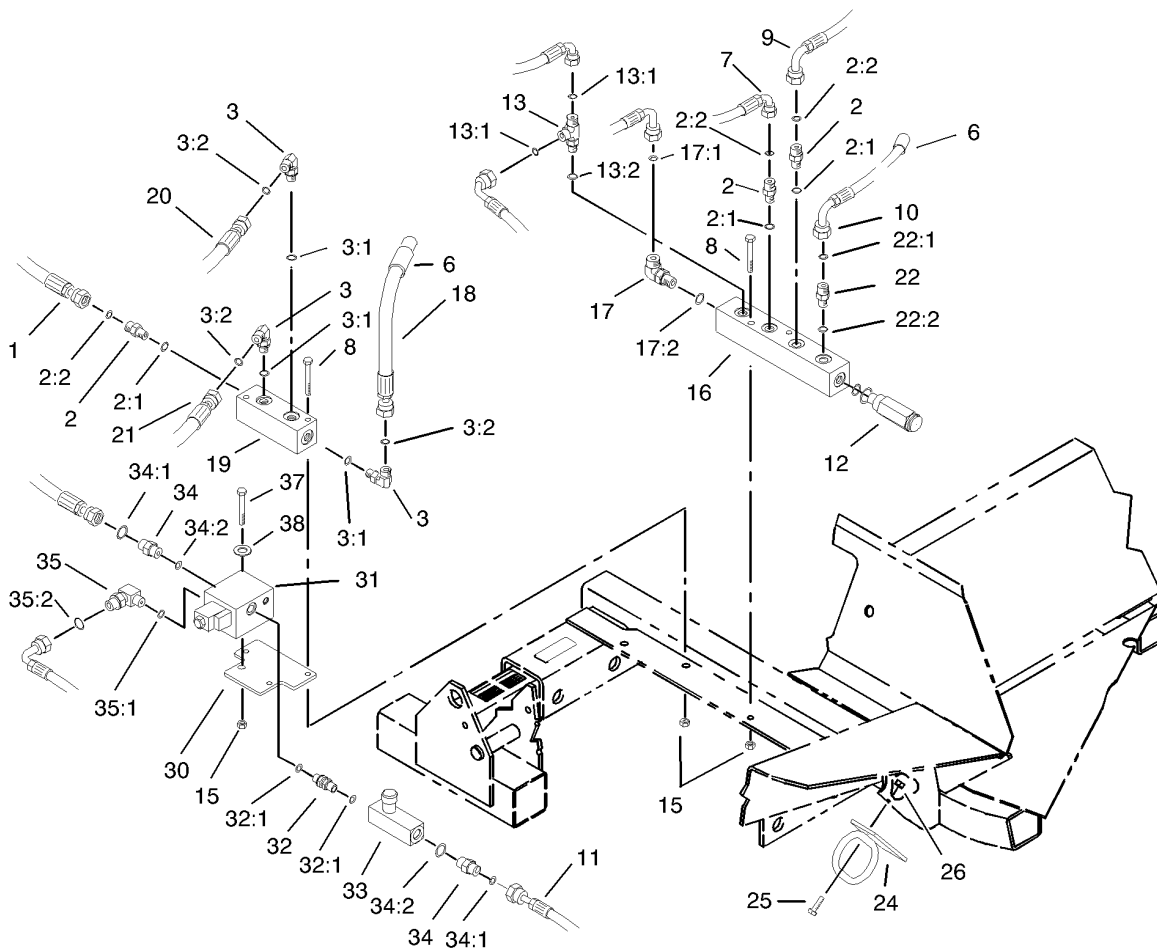
| Ref. | Part Number | Qty. | Description           | Ref. | Part Number | Qty. | Description           |
|------|-------------|------|-----------------------|------|-------------|------|-----------------------|
| 1    | 340-98      | 2    | Fitting-HYD, 90 DEG   | 12:1 | 237-78      | 1    | O-Ring                |
| 1:1  | 237-79      | 1    | O-Ring                | 13   | 98-9348     | 1    | HYD Hose ASM          |
| 1:2  | 237-30      | 1    | O-Ring                | 14   | 98-9781     | 1    | Fitting-HYD, 90 DEG   |
| 2    | 100-3879    | 1    | HYD Hose ASM          | 14:1 | 237-30      | 1    | O-Ring                |
| 3    | 340-4       | 1    | Fitting-HYD, Straight | 14:2 | 237-79      | 1    | O-Ring                |
| 3:1  | 237-30      | 1    | O-Ring                | 15   | 340-139     | 1    | Fitting-HYD, 90 DEG   |
| 3:2  | 237-79      | 1    | O-Ring                | 15:1 | 237-81      | 1    | O-Ring                |
| 4    | 98-4579     | 1    | HYD Manifold ASM      | 15:2 | 237-65      | 1    | O-Ring                |
| 6    | 340-101     | 2    | Fitting-HYD, 45 DEG   | 16   | 98-9347     | 1    | HYD Hose ASM          |
| 6:1  | 237-30      | 1    | O-Ring                | 17   | 3253-4      | 4    | Washer-Lock           |
| 6:2  | 237-79      | 1    | O-Ring                | 18   | 322-3       | 4    | Screw-HH              |
| 7    | 354-77      | 2    | Fitting-Quick         | 20   | 98-9742     | 1    | Valve-Control, Flow   |
| 7:1  | 237-78      | 1    | O-Ring                | 22   | 100-3878    | 1    | HYD Hose ASM          |
| 8    | 354-79      | 2    | Cap-Dust              | 23   | 340-1       | 2    | Fitting-HYD, Straight |
| 9    | 86-9190     | 2    | Hose                  | 23:1 | 237-21      | 1    | O-Ring                |
| 9:1  | 237-30      | 1    | O-Ring                | 23:2 | 237-42      | 1    | O-Ring                |
| 11   | 340-92      | 2    | Fitting-HYD, Straight | 24   | 3290-378    | 1    | Tie-Cable ●           |
| 11:1 | 237-78      | 1    | O-Ring                | 25   | 340-143     | 1    | Elbow-Swivel, 90 DEG  |
| 11:2 | 237-21      | 1    | O-Ring                | 25:1 | 237-78      | 1    | O-Ring                |
| 12   | 75-6640     | 2    | Fitting-HYD, Special  |      |             |      |                       |

● Not illustrated



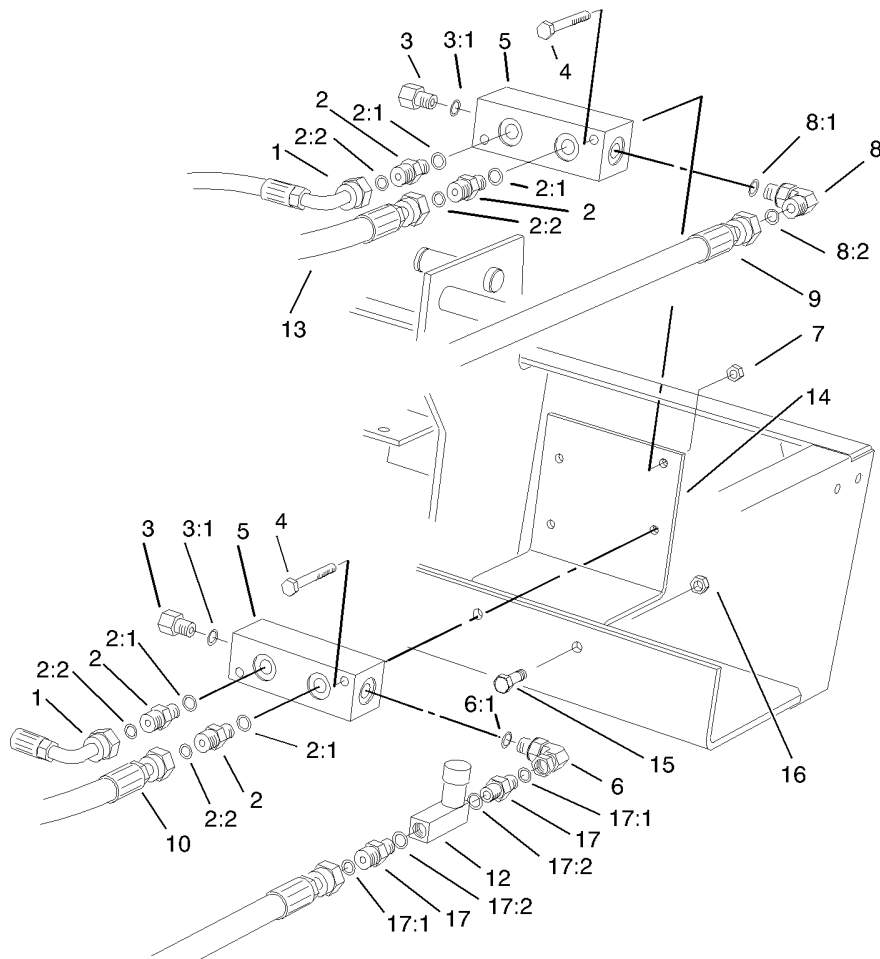
## Hydraulic Manifold Assembly No. 98-4579

| Ref. | Part Number | Qty. | Description            | Ref.   | Part Number | Qty. | Description           |
|------|-------------|------|------------------------|--------|-------------|------|-----------------------|
| 2    | 75-2010     | 1    | Cartridge-Relief       | 10:5   | 94-5023     | 1    | Plate-Detent          |
| 2:1  | 95-5645     | 1    | Seal Kit               | 10:5:1 | 3245-36     | 1    | Screw-Set, HSH        |
| 3    | 75-0920     | 1    | Cartridge-Relief       | 10:6   | 94-5027     | 2    | Spring                |
| 3:1  | 95-5645     | 1    | Seal Kit               | 10:7   | 255-13      | 2    | Ball-Steel, Stainless |
| 4    | 94-2685     | 3    | Cartridge-N.C., Spool  | 11     | 340-143     | 1    | Elbow-Swivel, 90 DEG  |
| 4:1  | 95-5645     | 1    | Seal Kit               | 11:1   | 237-78      | 1    | O-Ring                |
| 5    | 92-6315     | 1    | Cartridge-Poppet, N.C. | 12     | 88-9190     | 6    | Solenoid Coil Kit     |
| 5:1  | 95-5645     | 1    | Seal Kit               | 13     | 340-101     | 1    | Fitting-HYD, 45 DEG   |
| 6    | 88-7020     | 2    | Cartridge-N.O., Spool  | 13:1   | 237-30      | 1    | O-Ring                |
| 6:1  | 95-5645     | 1    | Seal Kit               | 13:2   | 237-79      | 1    | O-Ring                |
| 7    | 88-6960     | 3    | Cartridge              | 14     | 88-9200     | 3    | Coil-Solenoid         |
| 7:1  | 95-5642     | 1    | Seal Kit               | 15     | 106-1024    | 10   | Plug-Leak, Zero       |
| 8    | 98-9779     | 2    | Cartridge-Flow         | 15:1   | 237-156     | 1    | O-Ring                |
| 8:1  | 95-5645     | 1    | Seal Kit               | 16     | 106-1025    | 15   | Plug-HYD              |
| 9    | 69-4120     | 2    | Cartridge-Logic        | 16:1   | 237-78      | 1    | O-Ring                |
| 9:1  | 69-4240     | 1    | Seal Kit               | 17     | 106-1026    | 1    | Plug-HYD              |
| 10   | 94-3660     | 1    | Detent Kit             | 17:1   | 237-42      | 1    | O-Ring                |
| 10:1 | 94-5020     | 1    | Knob ASM               | 18     | 106-1028    | 1    | Plug-Leak, Zero       |
| 10:2 | 94-5025     | 1    | Plate-Locating         | 18:1   | 237-80      | 1    | O-Ring                |
| 10:3 | 94-5026     | 1    | Plate-Indicator        | 19     | 95-5999     | 2    | Plug-Orifice          |
| 10:4 | 3218-1      | 2    | Nut-Jam                |        |             |      |                       |



## Front Hydraulic Manifold Assembly

| Ref. | Part Number | Qty. | Description            | Ref. | Part Number | Qty. | Description            |
|------|-------------|------|------------------------|------|-------------|------|------------------------|
| 1    | 98-4584     | 1    | HYD Hose ASM           | 19   | 75-1180     | 1    | Block-Manifold, 4 Port |
| 2    | 340-92      | 3    | Fitting-HYD, Straight  | 20   | 98-4587     | 1    | HYD Hose ASM           |
| 2:1  | 237-78      | 1    | O-Ring                 | 21   | 104-9323    | 1    | HYD Hose ASM           |
| 2:2  | 237-21      | 1    | O-Ring                 | 22   | 340-2       | 2    | Fitting-HYD, Straight  |
| 3    | 340-132     | 3    | Fitting-HYD, 90 DEG    | 22:1 | 237-22      | 1    | O-Ring                 |
| 3:1  | 237-78      | 1    | O-Ring                 | 22:2 | 237-42      | 1    | O-Ring                 |
| 3:2  | 237-21      | 1    | O-Ring                 | 24   | 104-0028    | 2    | Guide-Hose             |
| 6    | 38-3400     | 2    | Guard-Rubber           | 25   | 322-5       | 4    | Screw-HH               |
| 7    | 75-5910     | 1    | Hose                   | 26   | 3296-29     | 4    | Nut-Lock, NI           |
| 8    | 321-18      | 4    | Screw-HH               | 30   | 105-7510    | 1    | Bracket-Mounting       |
| 9    | 93-0118     | 1    | Hose ASM               | 31   | 105-3303    | 1    | Flow Divider Valve ASM |
| 10   | 93-0119     | 1    | Hose ASM               | 32   | 99-5644     | 1    | Fitting-Sae            |
| 11   | 99-5643     | 1    | Hose-HYD               | 32:1 | 237-42      | 2    | O-Ring                 |
| 12   | 93-0143     | 1    | Cartridge-Relief       | 33   | 98-9742     | 1    | Valve-Control, Flow    |
| 13   | 340-140     | 1    | Adapter-Tee            | 34   | 340-1       | 2    | Fitting-HYD, Straight  |
| 13:1 | 237-21      | 2    | O-Ring                 | 34:1 | 237-21      | 1    | O-Ring                 |
| 13:2 | 237-78      | 1    | O-Ring                 | 34:2 | 237-42      | 1    | O-Ring                 |
| 15   | 3296-42     | 6    | Nut-Lock, NI           | 35   | 340-82      | 1    | Adapter ASM            |
| 16   | 93-0139     | 1    | Block-Manifold, 6 Port | 35:1 | 237-42      | 1    | O-Ring                 |
| 17   | 340-77      | 1    | Fitting-HYD, 90 DEG    | 35:2 | 237-21      | 1    | O-Ring                 |
| 17:1 | 237-22      | 1    | O-Ring                 | 37   | 321-23      | 2    | Screw-HH               |
| 17:2 | 237-42      | 1    | O-Ring                 | 38   | 3256-2      | 2    | Washer-Flat            |
| 18   | 92-9096     | 1    | Hose                   |      |             |      |                        |

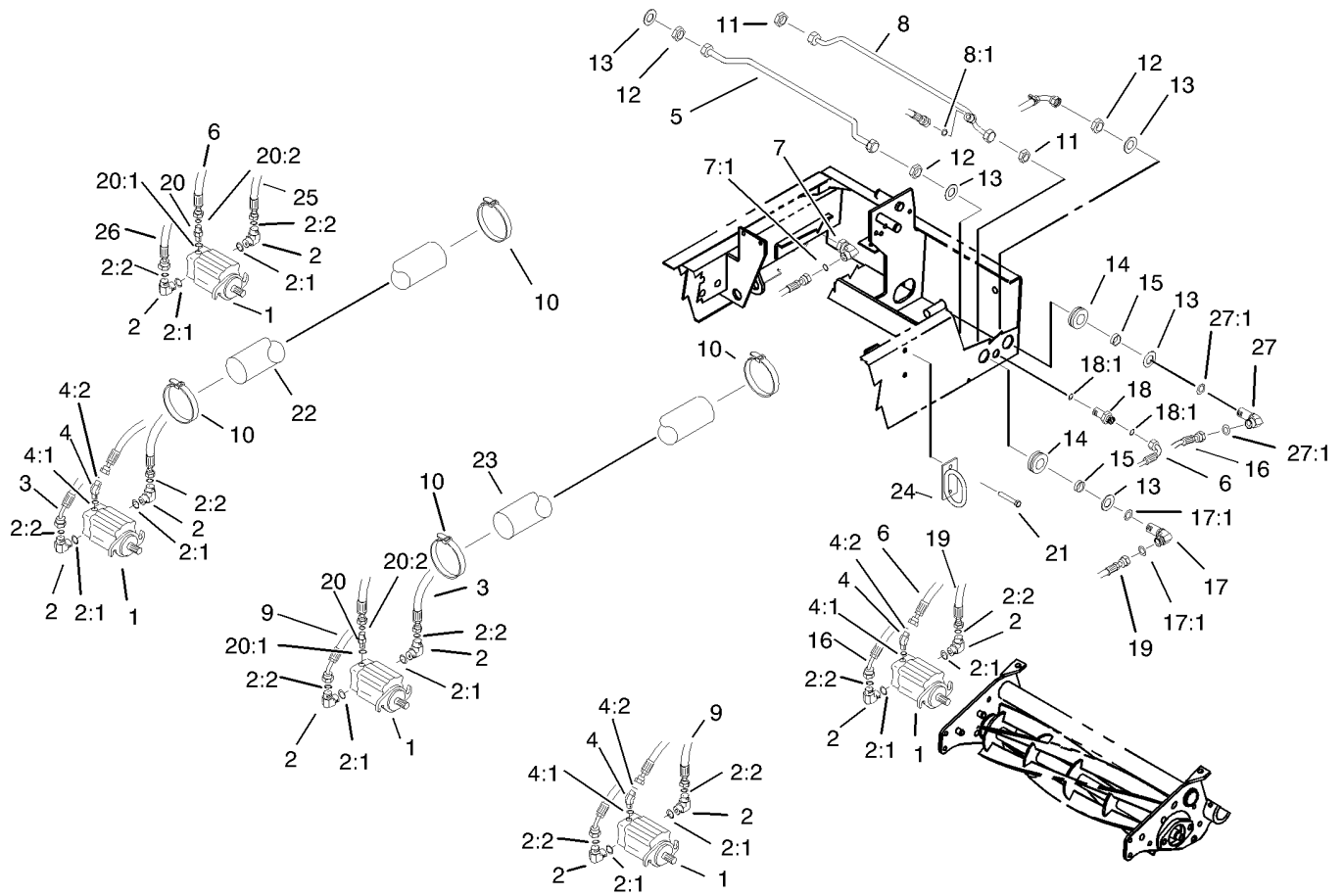


## Rear Hydraulic Manifold Assembly

| Ref. | Part Number | Qty. | Description            |
|------|-------------|------|------------------------|
| 1    | 75-6180     | 2    | Hose                   |
| 2    | 340-92      | 4    | Fitting-HYD, Straight  |
| 2:1  | 237-78      | 1    | O-Ring                 |
| 2:2  | 237-21      | 1    | O-Ring                 |
| 3    | 353-512     | 2    | Plug                   |
| 3:1  | 237-78      | 1    | O-Ring                 |
| 4    | 321-11      | 4    | Screw-HH               |
| 5    | 75-1180     | 2    | Block-Manifold, 4 Port |
| 6    | 340-143     | 1    | Elbow-Swivel, 90 DEG   |
| 6:1  | 237-78      | 1    | O-Ring                 |
| 7    | 32128-33    | 4    | Nut-HF                 |
| 8    | 340-132     | 1    | Fitting-HYD, 90 DEG    |
| 8:1  | 237-78      | 1    | O-Ring                 |

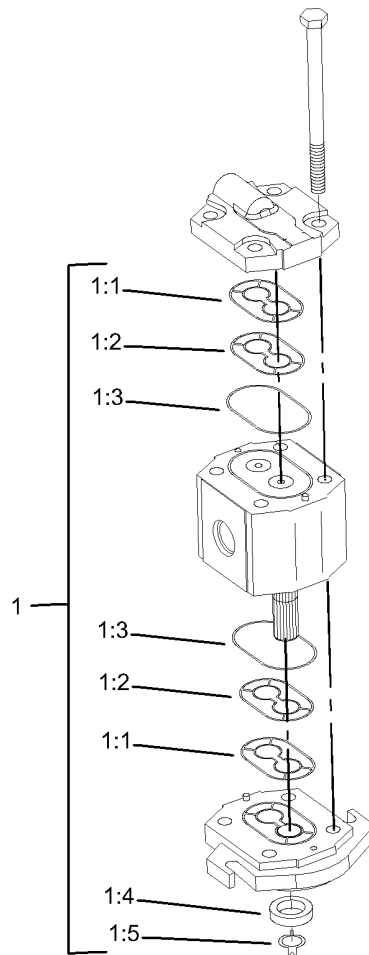
| Ref. | Part Number | Qty. | Description           |
|------|-------------|------|-----------------------|
| 8:2  | 237-21      | 1    | O-Ring                |
| 9    | 93-0118     | 1    | Hose ASM              |
| 10   | 75-6080     | 1    | Hose ASM              |
| 12   | 98-9742     | 1    | Valve-Control, Flow   |
| 13   | 75-6070     | 1    | Hose                  |
| 14   | 94-4920-03  | 1    | Plate-Mounting, Valve |
| 15   | 322-5       | 2    | Screw-HH              |
| 16   | 32128-20    | 2    | Nut-HF                |
| 17   | 340-1       | 2    | Fitting-HYD, Straight |
| 17:1 | 237-21      | 1    | O-Ring                |
| 17:2 | 237-42      | 1    | O-Ring                |
| 18   | 3290-378    | 1    | Tie-Cable ●           |

● Not illustrated



## Reel Motor Assembly

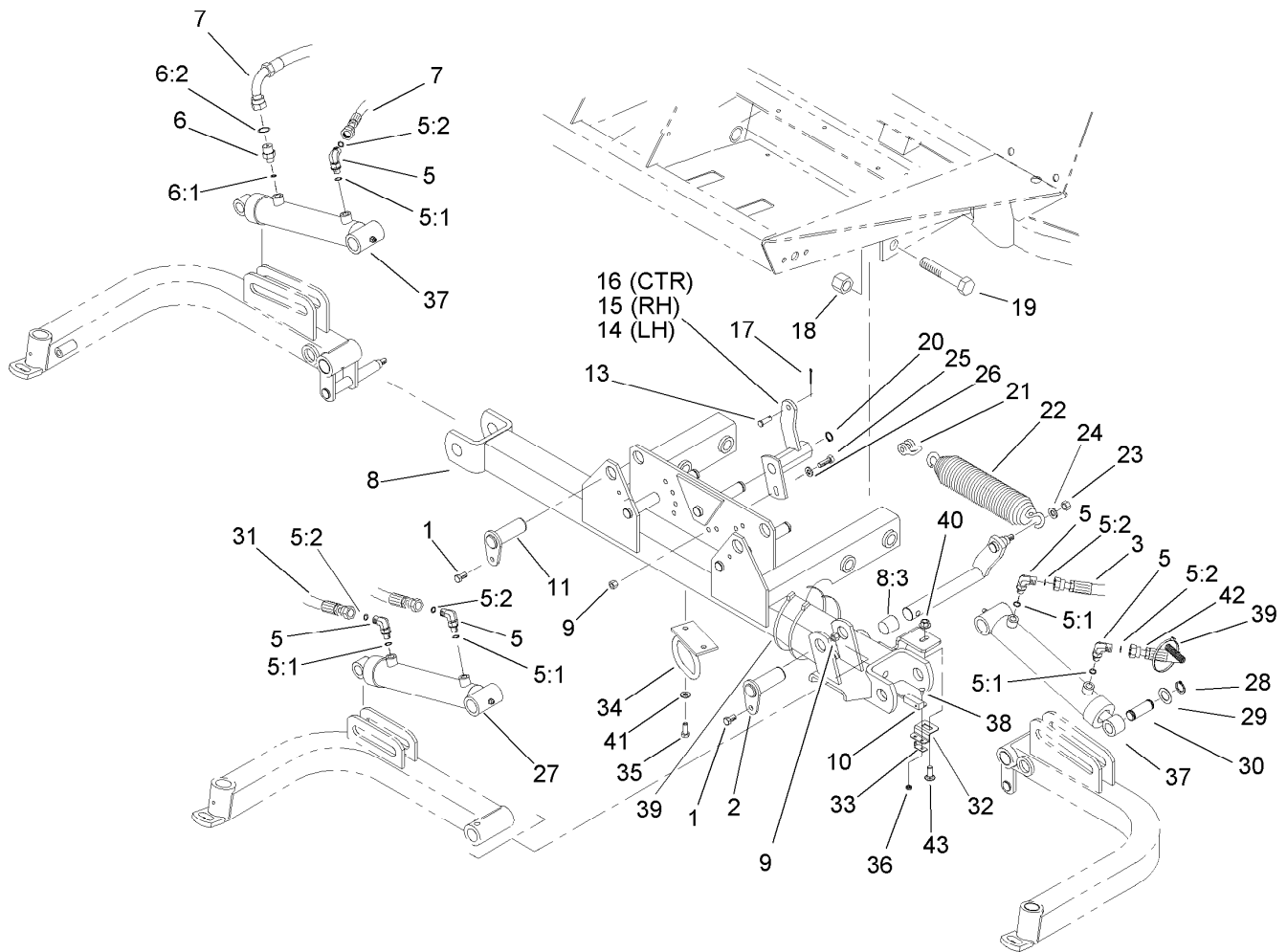
| Ref. | Part Number | Qty. | Description         | Ref. | Part Number | Qty. | Description                |
|------|-------------|------|---------------------|------|-------------|------|----------------------------|
| 1    | 100-6426    | 5    | HYD Motor ASM       | 14   | 240-5       | 4    | Grommet                    |
| 2    | 340-98      | 10   | Fitting-HYD, 90 DEG | 15   | 69-8960     | 4    | Spacer                     |
| 2:1  | 237-79      | 1    | O-Ring              | 16   | 100-3876    | 1    | HYD Hose ASM               |
| 2:2  | 237-30      | 1    | O-Ring              | 17   | 93-9151     | 3    | Fitting-HYD                |
| 3    | 104-9322    | 1    | HYD Hose ASM        | 17:1 | 237-30      | 2    | O-Ring                     |
| 4    | 340-103     | 3    | Fitting-HYD, 45 DEG | 18   | 340-71      | 2    | Fitting-Straight, Bulkhead |
| 4:1  | 237-78      | 1    | O-Ring              | 18:1 | 237-22      | 2    | O-Ring                     |
| 4:2  | 237-21      | 1    | O-Ring              | 19   | 100-3877    | 1    | HYD Hose ASM               |
| 5    | 94-4918     | 1    | Tube ASM            | 20   | 340-92      | 2    | Fitting-HYD, Straight      |
| 6    | 98-4583     | 2    | HYD Hose ASM        | 20:1 | 237-78      | 1    | O-Ring                     |
| 7    | 94-6031     | 1    | Fitting-HYD         | 20:2 | 237-21      | 1    | O-Ring                     |
| 7:1  | 237-30      | 1    | O-Ring              | 21   | 32104-32    | 4    | Screw-HWH                  |
| 8    | 100-3714    | 1    | Drain Tube ASM      | 22   | 99-5648     | 4    | Sleeve-Protective          |
| 8:1  | 237-21      | 1    | O-Ring              | 23   | 99-5617     | 1    | Sleeve-Protective          |
| 9    | 104-9321    | 1    | HYD Hose ASM        | 24   | 104-0028    | 2    | Guide-Hose                 |
| 10   | 3290-379    | 10   | Tie-Cable           | 25   | 104-0057    | 1    | HYD Hose ASM               |
| 11   | 340-70      | 2    | Nut-Lock            | 26   | 104-0069    | 1    | HYD Hose ASM               |
| 12   | 340-127     | 4    | Nut-Bulkhead        | 27   | 100-3713    | 1    | Fitting-HYD, 90 DEG        |
| 13   | 69-8930     | 8    | Washer              | 27:1 | 237-30      | 2    | O-Ring                     |



## Hydraulic Motor Assembly No. 100-6426

| <i>Ref.</i> | <i>Part Number</i> | <i>Qty.</i> | <i>Description</i>     |
|-------------|--------------------|-------------|------------------------|
| 1           | 105-9758           | 1           | Seal Kit               |
| 1:1         |                    | 2           | Seal-Extrusion, Anti ● |
| 1:2         |                    | 2           | Seal-Pressure ●        |
| 1:3         |                    | 2           | Seal-Dust ●            |
| 1:4         |                    | 1           | Seal-Shaft ●           |
| 1:5         |                    | 1           | Washer-Backup ●        |

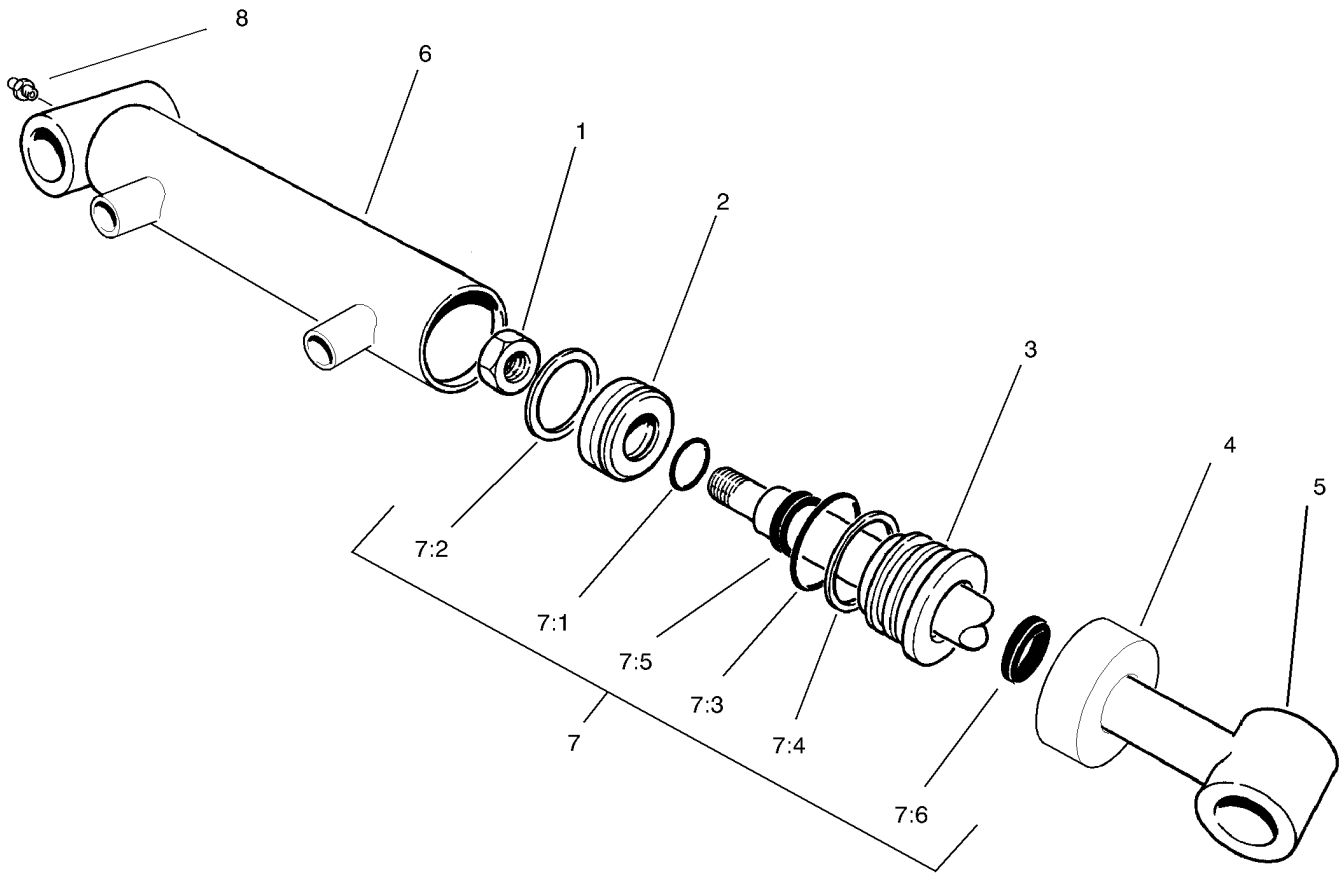
● Not serviced separately



## Front Lift Circuit Assembly

| Ref. | Part Number | Qty. | Description            | Ref. | Part Number | Qty. | Description           |
|------|-------------|------|------------------------|------|-------------|------|-----------------------|
| 1    | 32144-14    | 3    | Screw-HWHTF            | 20   | 32151-48    | 3    | E-Ring                |
| 2    | 106-9208    | 1    | Short Cylinder Pin ASM | 21   | 282-4       | 3    | Shackle               |
| 3    | 99-5643     | 1    | Hose-HYD               | 22   | 5-0743-03   | 3    | Spring-Mower          |
| 5    | 340-132     | 5    | Fitting-HYD, 90 DEG    | 23   | 3296-44     | 3    | Nut-Lock, NI          |
| 5:1  | 237-78      | 1    | O-Ring                 | 24   | 3256-24     | 3    | Washer-Flat           |
| 5:2  | 237-21      | 1    | O-Ring                 | 25   | 322-5       | 3    | Screw-HH              |
| 6    | 340-92      | 1    | Fitting-HYD, Straight  | 26   | 3256-23     | 3    | Washer-Flat           |
| 6:1  | 237-78      | 1    | O-Ring                 | 27   | 93-9310     | 1    | Cylinder-HYD          |
| 6:2  | 237-21      | 1    | O-Ring                 | 28   | 32120-93    | 6    | Ring-Retaining        |
| 7    | 99-5641     | 2    | Hose-HYD               | 29   | 3-6498      | 6    | Washer-Thrust         |
| 8    | 107-1801    | 1    | Carrier Frame ASM      | 30   | 104-0046    | 3    | Pin-Slide, Cylinder   |
| 8:2  | 302-5       | 1    | Fitting-Grease ●       | 31   | 75-5900     | 1    | Hose                  |
| 8:3  | 67-1750     | 2    | Bushing                | 32   | 106-5958    | 1    | Bracket-Switch        |
| 9    | 3296-29     | 4    | Nut-Lock, NI           | 33   | 100-4872    | 1    | Plate-Switch, Neutral |
| 10   | 100-1270    | 1    | Switch-Proximity       | 34   | 104-0028    | 1    | Guide-Hose            |
| 11   | 105-9889    | 2    | Pin-Cylinder           | 35   | 322-5       | 2    | Screw-HH              |
| 12   | 3290-379    | 4    | Tie-Cable ●            | 36   | 32149-7     | 1    | Nut-Keps              |
| 13   | 283-6       | 3    | Pin-Clevis             | 37   | 99-6986     | 2    | Cylinder-HYD          |
| 14   | 75-5220-03  | 1    | Bracket-Spring, LH     | 38   | 104-1450    | 1    | Bolt-CARR             |
| 15   | 75-5200-03  | 1    | Bracket-Spring, RH     | 39   | 3290-378    | 3    | Tie-Cable             |
| 16   | 75-5210-03  | 1    | Bracket-Spring, Center | 40   | 32128-43    | 1    | Nut-Flange            |
| 17   | 3272-10     | 3    | Pin-Cotter             | 41   | 3253-4      | 2    | Washer-Lock           |
| 18   | 3296-51     | 4    | Nut-Lock, NI           | 42   | 99-5642     | 1    | Hose-HYD              |
| 19   | 328-7       | 4    | Screw-HH               | 43   | 3231-22     | 1    | Screw-CARR            |

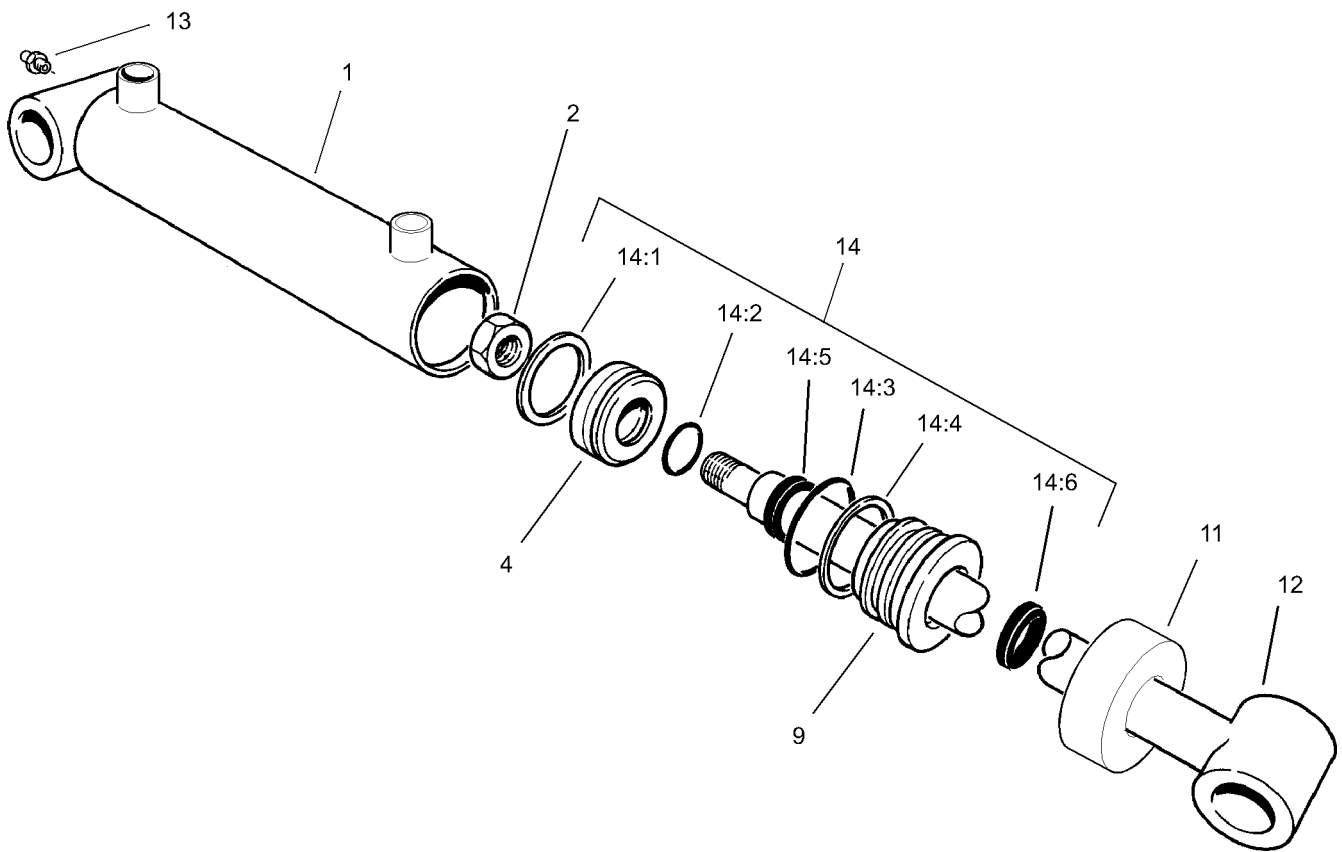
● Not illustrated



## Hydraulic Cylinder Assembly No. 93-9310

| Ref. | Part Number | Qty. | Description    |
|------|-------------|------|----------------|
| 1    |             | 1    | Locknut ●      |
| 2    |             | 1    | Piston ●       |
| 3    |             | 1    | Head ●         |
| 4    |             | 1    | Collar ●       |
| 5    |             | 1    | Shaft W/Tube ● |
| 6    |             | 1    | Barrel ASM ●   |
| 7    | 86-7330     | 1    | Seal Kit       |
| 7:1  |             | 1    | Seal-Dust ●    |
| 7:2  |             | 1    | Seal-Special ● |
| 7:3  |             | 1    | Seal-Dust ●    |
| 7:4  |             | 1    | Backup ●       |
| 7:5  |             | 1    | Seal-Rod ●     |
| 7:6  |             | 1    | Seal-Dust ●    |
| 8    | 302-5       | 1    | Fitting-Grease |

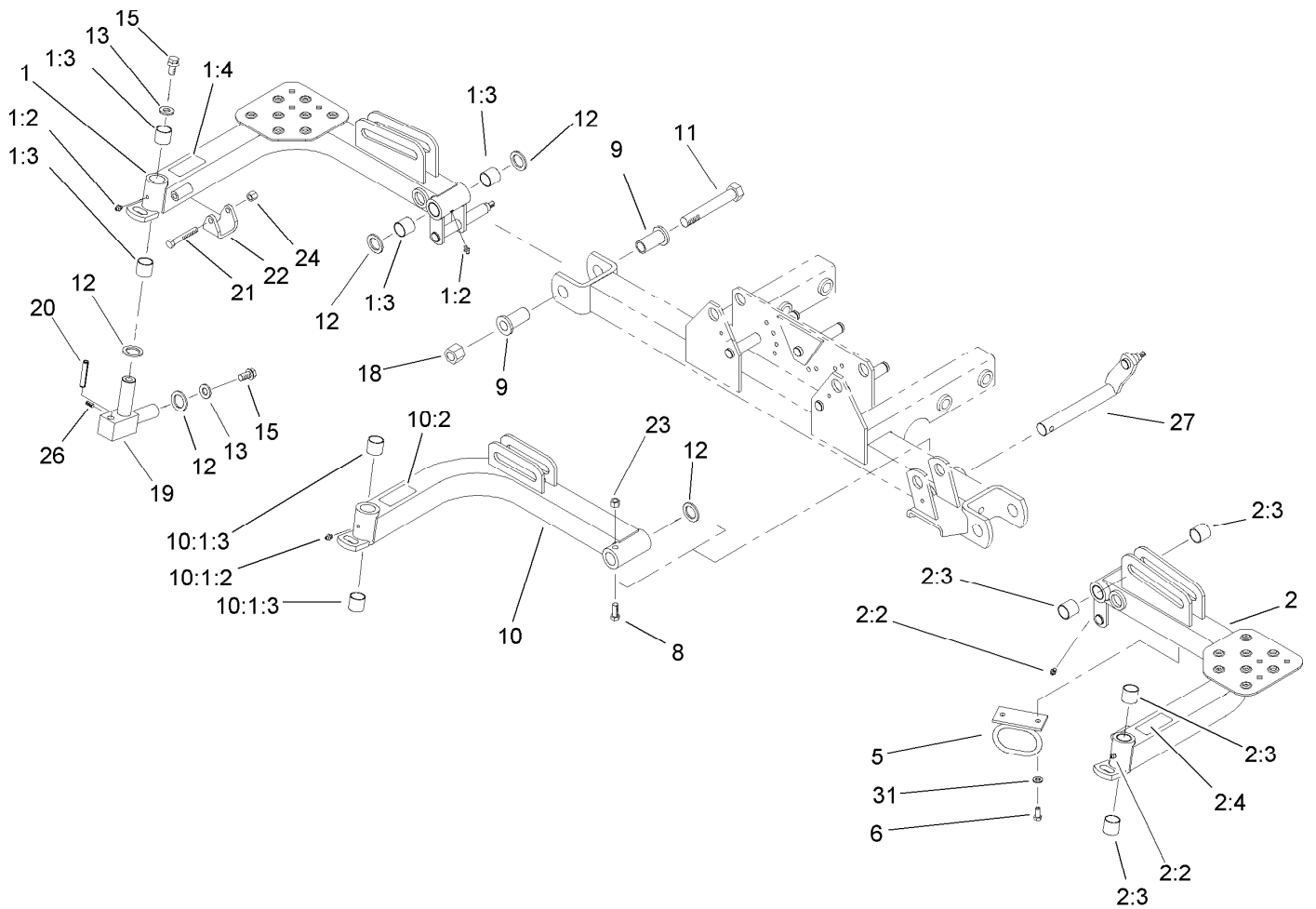
● Not serviced separately



## Hydraulic Cylinder Assembly No. 99-6986

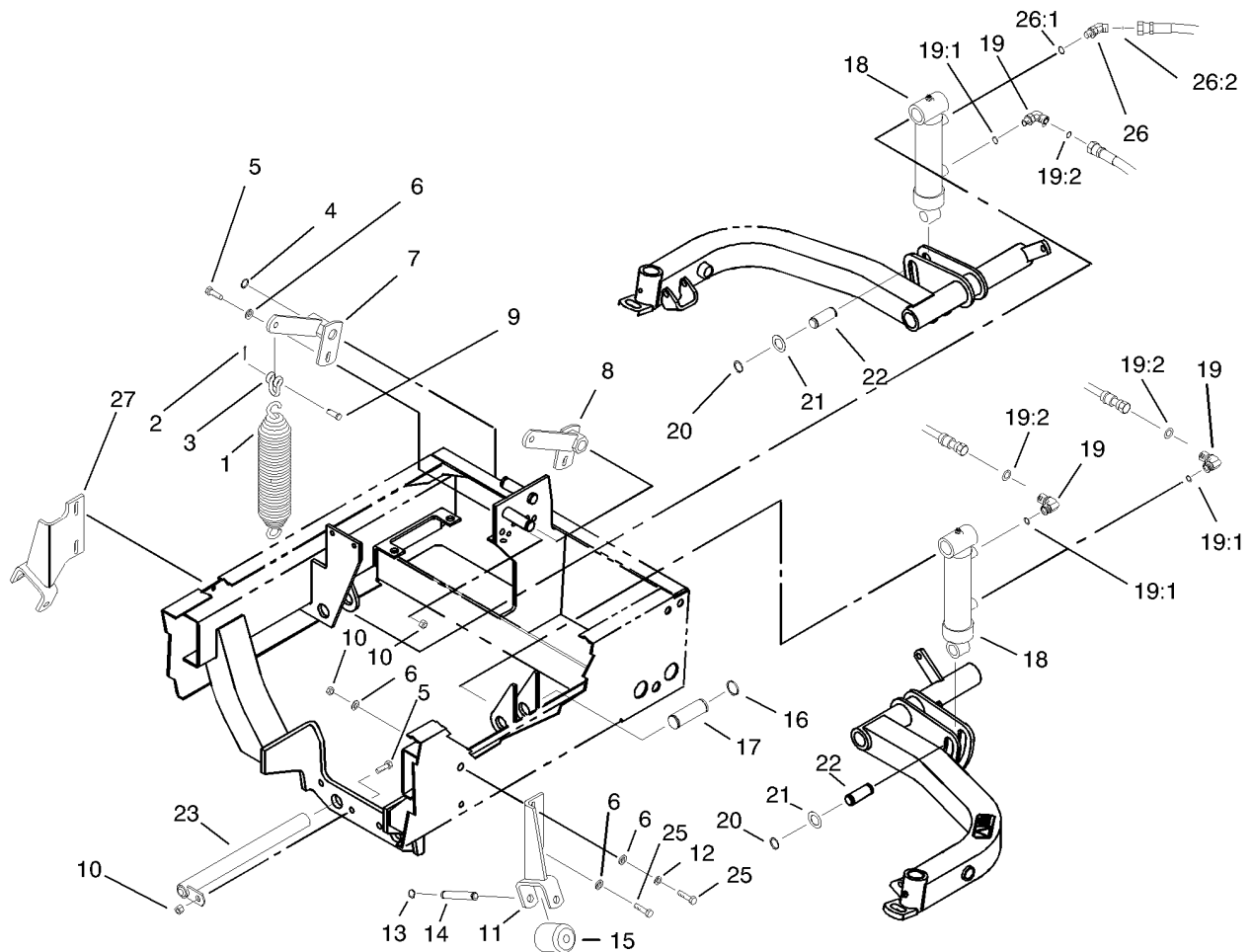
| Ref. | Part Number | Qty. | Description      |
|------|-------------|------|------------------|
| 1    |             | 1    | Barrel ●         |
| 2    | 32152-10    | 1    | Locknut          |
| 4    |             | 1    | Piston ●         |
| 9    |             | 1    | Head ●           |
| 11   |             | 1    | Collar ●         |
| 12   |             | 1    | Shaft W/Clevis ● |
| 13   |             | 1    | Fitting-Grease ● |
| 14   | 100-8023    | 1    | Seal Repair Kit  |
| 14:1 |             | 1    | Seal-Psp ●       |
| 14:2 |             | 1    | Seal-Dust ●      |
| 14:3 |             | 1    | Seal-Dust ●      |
| 14:4 |             | 1    | Backup ●         |
| 14:5 |             | 1    | Seal-Rod ●       |
| 14:6 |             | 1    | Seal-Dust ●      |

● Not serviced separately



## Front Lift Arm Assembly

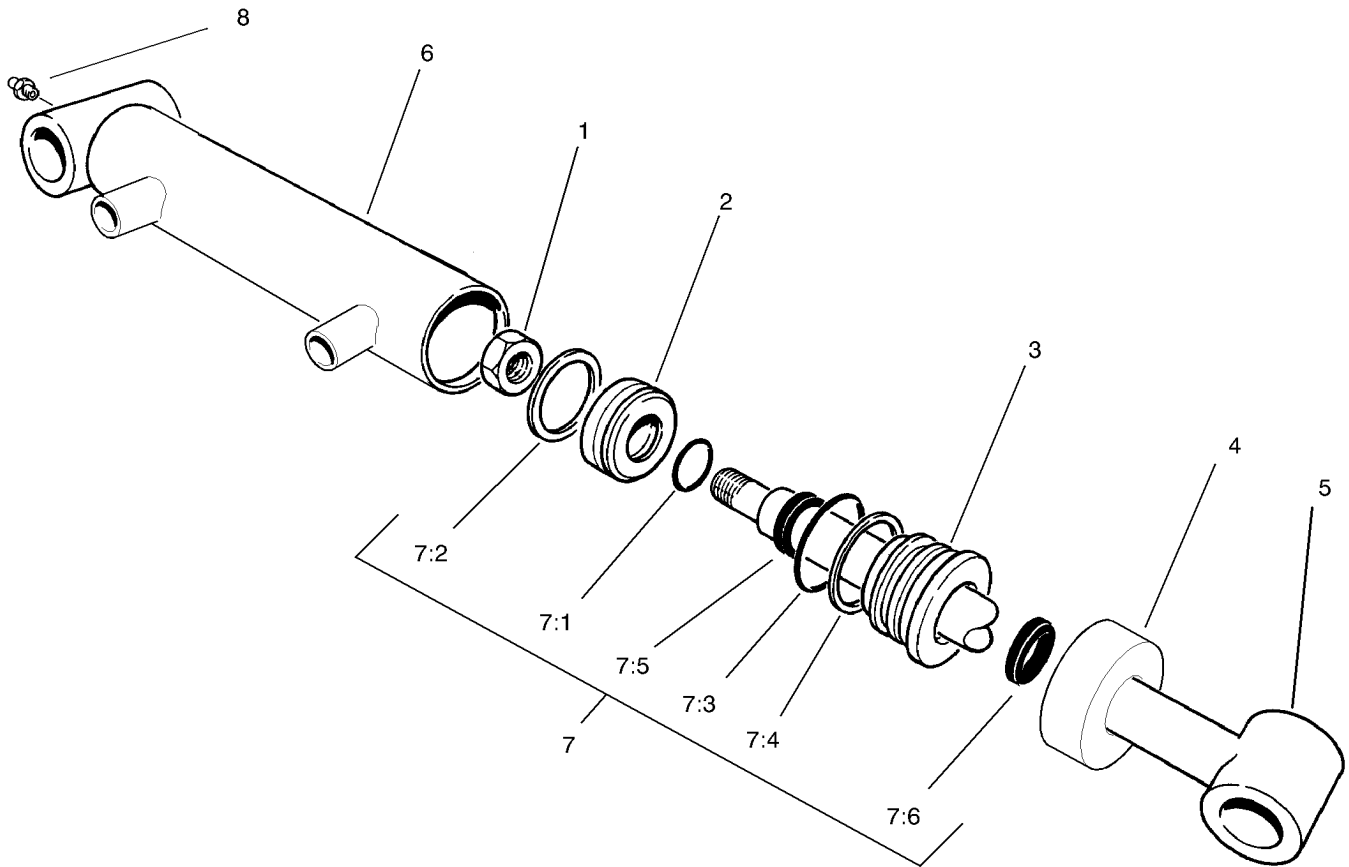
| <i>Ref.</i> | <i>Part Number</i> | <i>Qty.</i> | <i>Description</i>  | <i>Ref.</i> | <i>Part Number</i> | <i>Qty.</i> | <i>Description</i> |
|-------------|--------------------|-------------|---------------------|-------------|--------------------|-------------|--------------------|
| 1           | 107-8845           | 1           | RH Lift Arm ASM     | 10:2        | 93-6696            | 1           | Decal-Warning      |
| 1:2         | 302-5              | 2           | Fitting-Grease      | 11          | 328-12             | 2           | Screw-HH           |
| 1:3         | 67-1750            | 4           | Bushing             | 12          | 256-115            | 11          | Washer-Thrust      |
| 1:4         | 93-6696            | 1           | Decal-Warning       | 13          | 3256-6             | 6           | Washer-Flat        |
| 2           | 107-1802           | 1           | LH Lift Arm ASM     | 15          | 98-7993            | 6           | Screw-HHF          |
| 2:2         | 302-5              | 2           | Fitting-Grease      | 18          | 3296-51            | 2           | Nut-Lock, NI       |
| 2:3         | 67-1750            | 4           | Bushing             | 19          | 108-0630-03        | 3           | Joint-Arm          |
| 2:4         | 93-6696            | 1           | Decal-Warning       | 20          | 104-9319           | 3           | Pin-Grooved        |
| 5           | 104-0028           | 2           | Guide-Hose          | 21          | 323-12             | 2           | Screw-HH           |
| 6           | 322-5              | 4           | Screw-HH            | 22          | 75-5410            | 2           | Bracket-Arm        |
| 8           | 323-11             | 1           | Screw-HH            | 23          | 3296-44            | 1           | Nut-Lock, NI       |
| 9           | 84-8320            | 4           | Insert-Hinge        | 24          | 3296-39            | 2           | Nut-Lock, NI       |
| 10          | 104-8602           | 1           | Center Lift Arm ASM | 26          | 92-9097            | 3           | Screw-Hs           |
| 10:1:2      | 302-5              | 1           | Fitting-Grease      | 27          | 75-4550-03         | 1           | Shaft-Lift, Center |
| 10:1:3      | 67-1750            | 2           | Bushing             | 31          | 3253-4             | 4           | Washer-Lock        |



## Rear Lift Circuit Assembly

| Ref. | Part Number | Qty. | Description        | Ref. | Part Number | Qty. | Description         |
|------|-------------|------|--------------------|------|-------------|------|---------------------|
| 1    | 5-0743-03   | 2    | Spring-Mower       | 17   | 75-5360     | 2    | Pin-Cylinder        |
| 2    | 3272-10     | 2    | Pin-Cotter         | 18   | 93-9311     | 2    | Cylinder-HYD        |
| 3    | 282-4       | 2    | Shackle            | 19   | 340-132     | 3    | Fitting-HYD, 90 DEG |
| 4    | 32151-48    | 2    | E-Ring             | 19:1 | 237-78      | 1    | O-Ring              |
| 5    | 322-5       | 4    | Screw-HH           | 19:2 | 237-21      | 1    | O-Ring              |
| 6    | 3256-23     | 9    | Washer-Flat        | 20   | 32120-93    | 4    | Ring-Retaining      |
| 7    | 98-4548-03  | 1    | Bracket-Spring, RH | 21   | 3-6498      | 4    | Washer-Thrust       |
| 8    | 98-4536-03  | 1    | Bracket-Spring, LH | 22   | 104-0046    | 2    | Pin-Slide, Cylinder |
| 9    | 283-6       | 2    | Pin-Clevis         | 23   | 93-0069-03  | 2    | Pin-Rear            |
| 10   | 3296-29     | 11   | Nut-Lock, NI       | 24   | 3290-379    | 3    | Tie-Cable ●         |
| 11   | 100-3831-01 | 1    | Bracket-Roller, LH | 25   | 322-6       | 4    | Screw-HH            |
| 12   | 3253-4      | 2    | Washer-Lock        | 26   | 340-103     | 1    | Fitting-HYD, 45 DEG |
| 13   | 32151-61    | 4    | Ring-Retaining     | 26:1 | 237-78      | 1    | O-Ring              |
| 14   | 75-5400     | 2    | Pin-Roller         | 26:2 | 237-21      | 1    | O-Ring              |
| 15   | 75-5390     | 2    | Roller             | 27   | 100-3829-01 | 1    | Bracket-Roller, RH  |
| 16   | 32151-36    | 4    | Ring-Retaining     |      |             |      |                     |

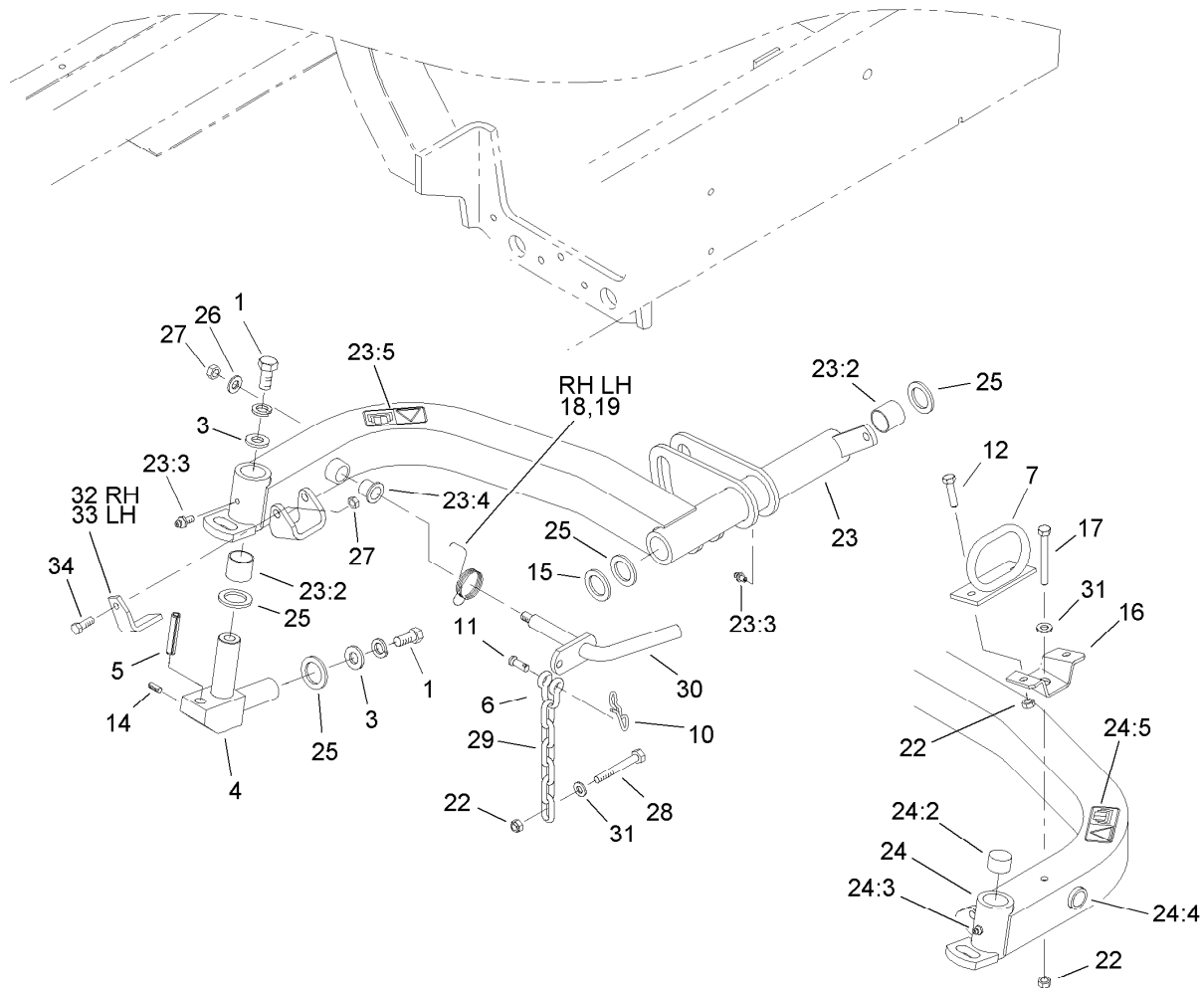
● Not illustrated



## Hydraulic Cylinder Assembly No. 93-9311

| Ref. | Part Number | Qty. | Description    |
|------|-------------|------|----------------|
| 1    |             | 1    | Locknut ●      |
| 2    |             | 1    | Piston ●       |
| 3    |             | 1    | Head ●         |
| 4    |             | 1    | Collar ●       |
| 5    |             | 1    | Shaft W/Tube ● |
| 6    |             | 1    | Barrel ASM ●   |
| 7    | 86-7330     | 1    | Seal Kit       |
| 7:1  |             | 1    | Seal-Dust ●    |
| 7:2  |             | 1    | Seal-Special ● |
| 7:3  |             | 1    | Seal-Dust ●    |
| 7:4  |             | 1    | Backup ●       |
| 7:5  |             | 1    | Seal-Rod ●     |
| 7:6  |             | 1    | Seal-Dust ●    |
| 8    | 302-5       | 1    | Fitting-Grease |

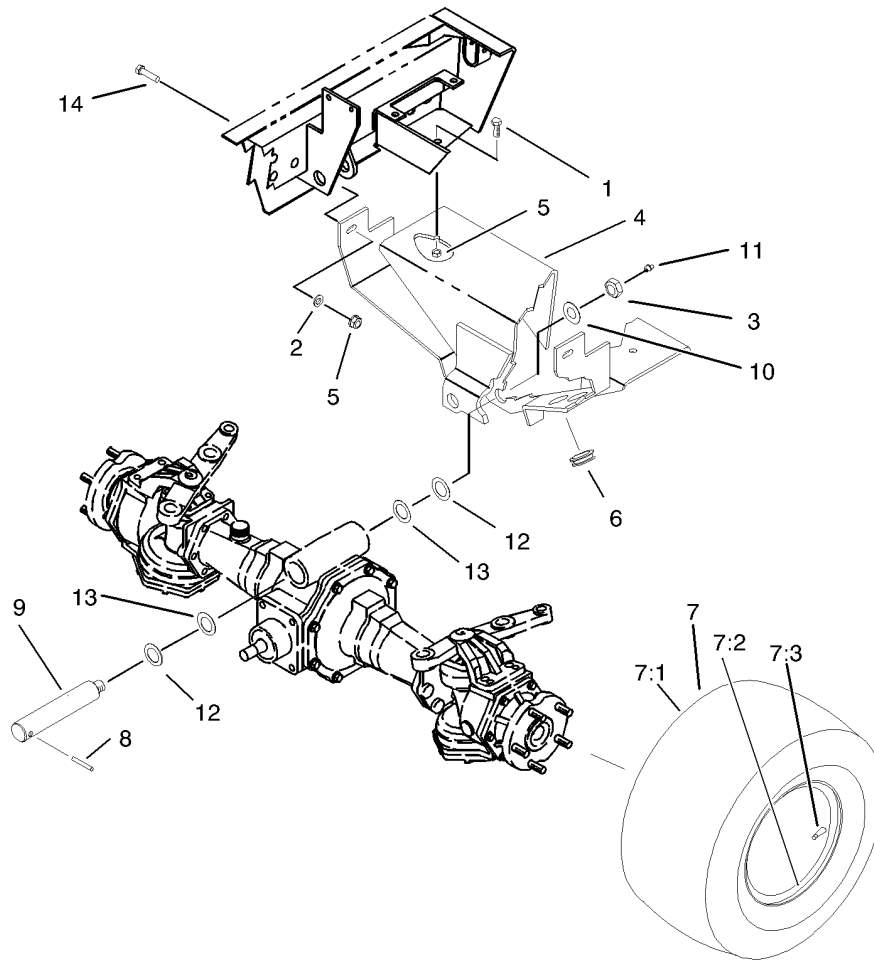
● Not serviced separately



## Rear Lift Arm Assembly

| Ref. | Part Number | Qty. | Description          | Ref. | Part Number | Qty. | Description            |
|------|-------------|------|----------------------|------|-------------|------|------------------------|
| 1    | 98-7993     | 4    | Screw-HHF            | 23:3 | 302-5       | 2    | Fitting-Grease         |
| 3    | 3256-6      | 4    | Washer-Flat          | 23:4 | 256-287     | 2    | Bushing                |
| 4    | 108-0630-03 | 2    | Joint-Arm            | 23:5 | 93-6696     | 1    | Decal-Warning          |
| 5    | 104-9319    | 2    | Pin-Grooved          | 24   | 100-3827    | 1    | LH Rear Lift Arm ASM   |
| 6    | 282-4       | 2    | Shackle              | 24:2 | 256-287     | 2    | Bushing                |
| 7    | 104-0028    | 1    | Guide-Hose           | 24:3 | 302-5       | 2    | Fitting-Grease         |
| 9    | 3290-379    | 1    | Tie-Cable ●          | 24:4 | 67-1750     | 4    | Bushing                |
| 10   | 105-7512    | 2    | Pin-Tie, Bow         | 24:5 | 93-6696     | 1    | Decal-Warning          |
| 11   | 283-6       | 2    | Pin-Clevis           | 25   | 256-115     | 12   | Washer-Thrust          |
| 12   | 322-5       | 2    | Screw-HH             | 26   | 3256-24     | 2    | Washer-Flat            |
| 14   | 92-9097     | 2    | Screw-Hs             | 27   | 3296-39     | 4    | Nut-Lock, NI           |
| 15   | 93-0142     | 2    | Bushing-Straight     | 28   | 322-12      | 2    | Screw-HH               |
| 16   | 94-4919-03  | 1    | Bracket-Clamp, Hose  | 29   | 84-2451     | 2    | Chain-Straight, 5 Link |
| 17   | 322-13      | 1    | Screw-HH             | 30   | 100-3834-03 | 2    | Rod-Pivot              |
| 18   | 75-4520     | 1    | Spring-Torsion, RH   | 31   | 3256-23     | 3    | Washer-Flat            |
| 19   | 75-4530     | 1    | Spring-Torsion, LH   | 32   | 93-3640     | 1    | Stop-RH                |
| 22   | 3296-29     | 4    | Nut-Lock, NI         | 33   | 83-5170     | 1    | Stop-LH                |
| 23   | 100-3828    | 1    | RH Rear Lift Arm ASM | 34   | 323-6       | 2    | Screw-HH               |
| 23:2 | 67-1750     | 4    | Bushing              |      |             |      |                        |

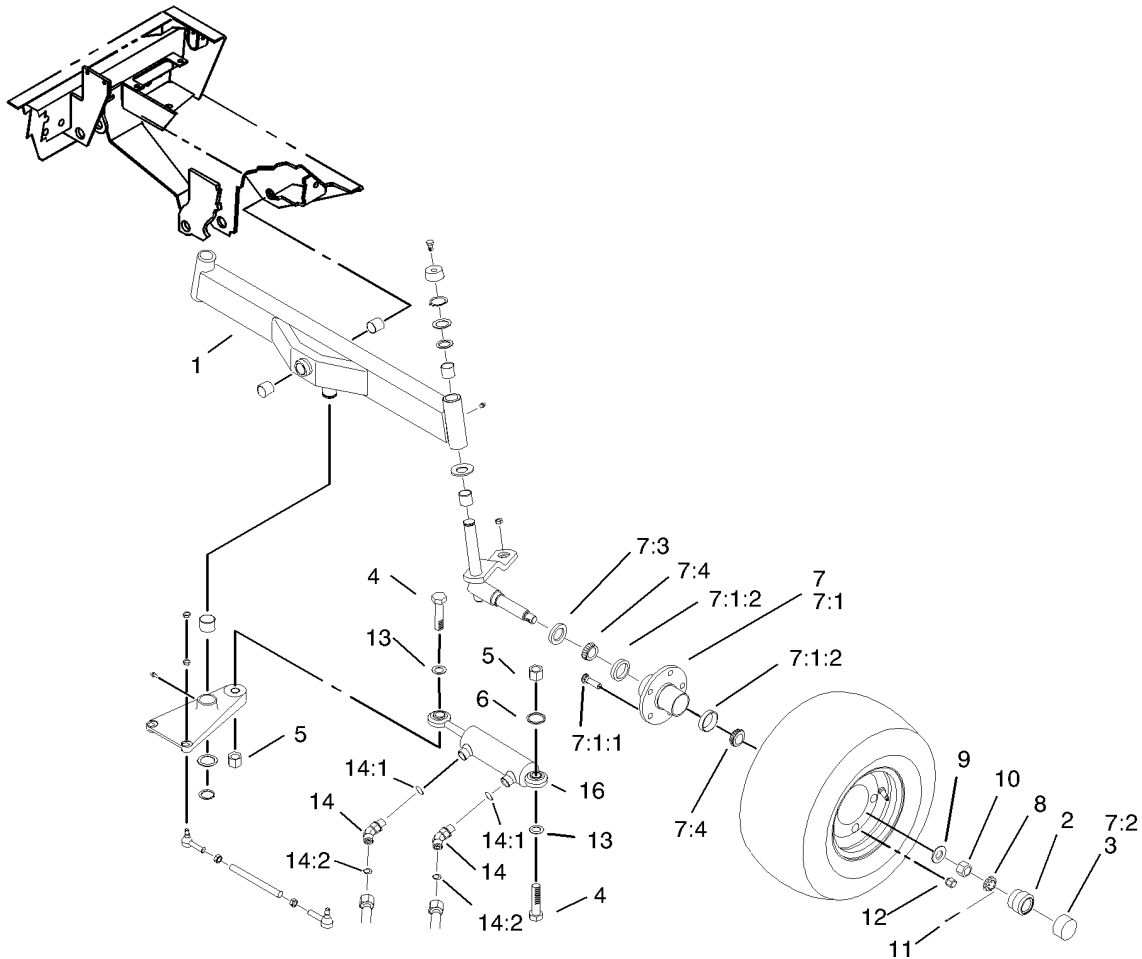
● Not illustrated



## Rear Axle Support Assembly

| Ref. | Part Number | Qty. | Description          |
|------|-------------|------|----------------------|
| 1    | 323-7       | 2    | Screw-HH             |
| 2    | 3256-24     | 2    | Washer-Flat          |
| 3    | 32146-20    | 1    | Nut-Hex              |
| 4    | 98-8172-03  | 1    | Support-Axle         |
| 5    | 3296-39     | 4    | Nut-Lock, NI         |
| 6    | 237-165     | 2    | Grommet              |
| 7    |             | 2    | Tire And Wheel ASM ● |
| 7:1  | 86-5910     | 1    | Tire-6 Ply           |
| 7:2  | 100-2582    | 1    | Rim                  |
| 7:3  | 232-27      | 1    | Stem-Valve           |
| 8    | 32121-32    | 1    | Pin-Roll             |
| 9    | 98-8173-03  | 1    | Pin-Pivot, Axle      |
| 10   | 71-4540     | 1    | Washer-Thrust        |
| 11   | 302-2       | 1    | Fitting-Grease       |
| 12   | 99-8431     | 2    | Washer-Thrust        |
| 13   | 99-8432     | 2    | Washer-Thrust        |
| 14   | 323-13      | 2    | Screw-HH             |

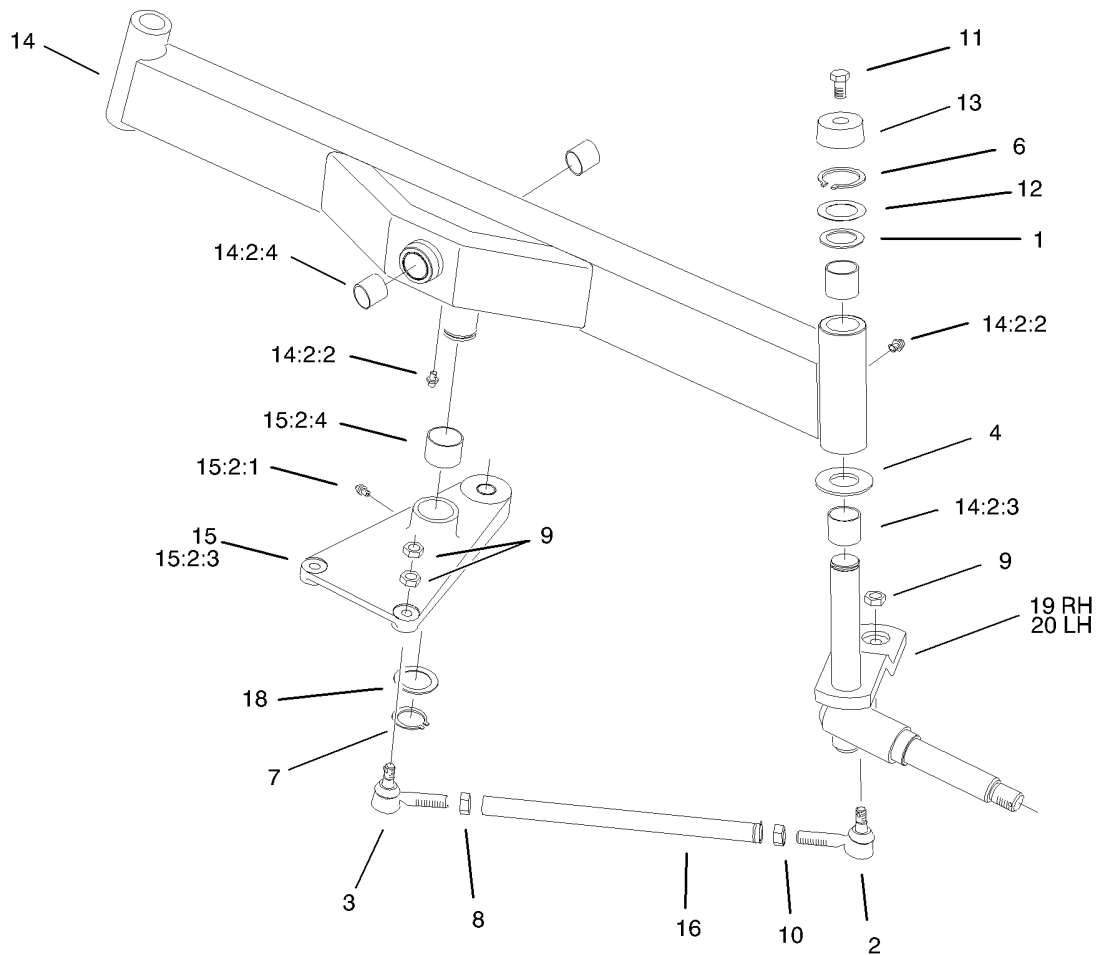
● Not serviced separately



## 2 Wheel Drive Axle Assembly

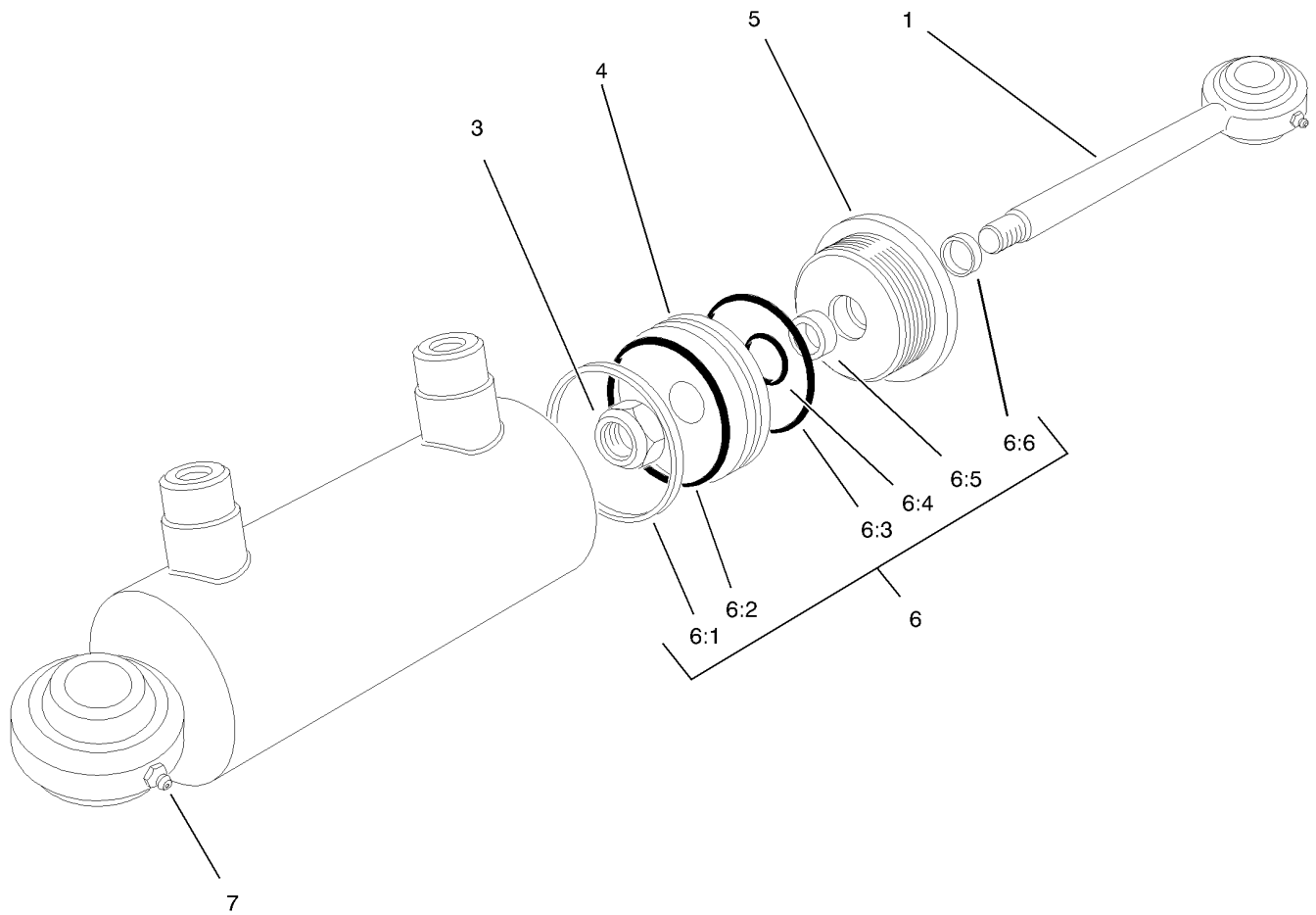
| Ref.  | Part Number | Qty. | Description            |
|-------|-------------|------|------------------------|
| 1     |             | 1    | Axle-Rear ●            |
| 2     | 100-3769    | 2    | Protector-Bearing      |
| 3     | 100-3809    | 2    | Cap-Protector, Bearing |
| 4     | 328-25      | 2    | Screw-HH               |
| 5     | 32153-6     | 2    | Nut-Lock               |
| 6     | 67-7250     | 1    | Spacer-Ring            |
| 7     |             | 2    | Hub ●                  |
| 7:1   | 21-2820     | 1    | Hub                    |
| 7:1:1 | 10-6830     | 5    | Stud-Type, Drive       |
| 7:1:2 | 254-72      | 2    | Bearing-Cup, Tapered   |
| 7:2   | 241-119     | 1    | Cap-Dust               |
| 7:3   | 253-129     | 1    | Seal                   |
| 7:4   | 254-94      | 2    | Bearing-Cone, Tapered  |
| 8     | 93-0307     | 2    | Nut-Lock, Retainer     |
| 9     | 93-0309     | 4    | Washer-Tab             |
| 10    | 3220-7      | 2    | Nut-Jam                |
| 11    | 3272-13     | 2    | Pin-Cotter             |
| 12    | 242-50      | 10   | Nut-Lug                |
| 13    | 67-9410     | 2    | Washer                 |
| 14    | 340-103     | 2    | Fitting-HYD, 45 DEG    |
| 14:1  | 237-78      | 1    | O-Ring                 |
| 14:2  | 237-21      | 1    | O-Ring                 |
| 16    | 75-1200     | 1    | Cylinder-HYD           |

● Not serviced separately



## Rear Axle Assembly

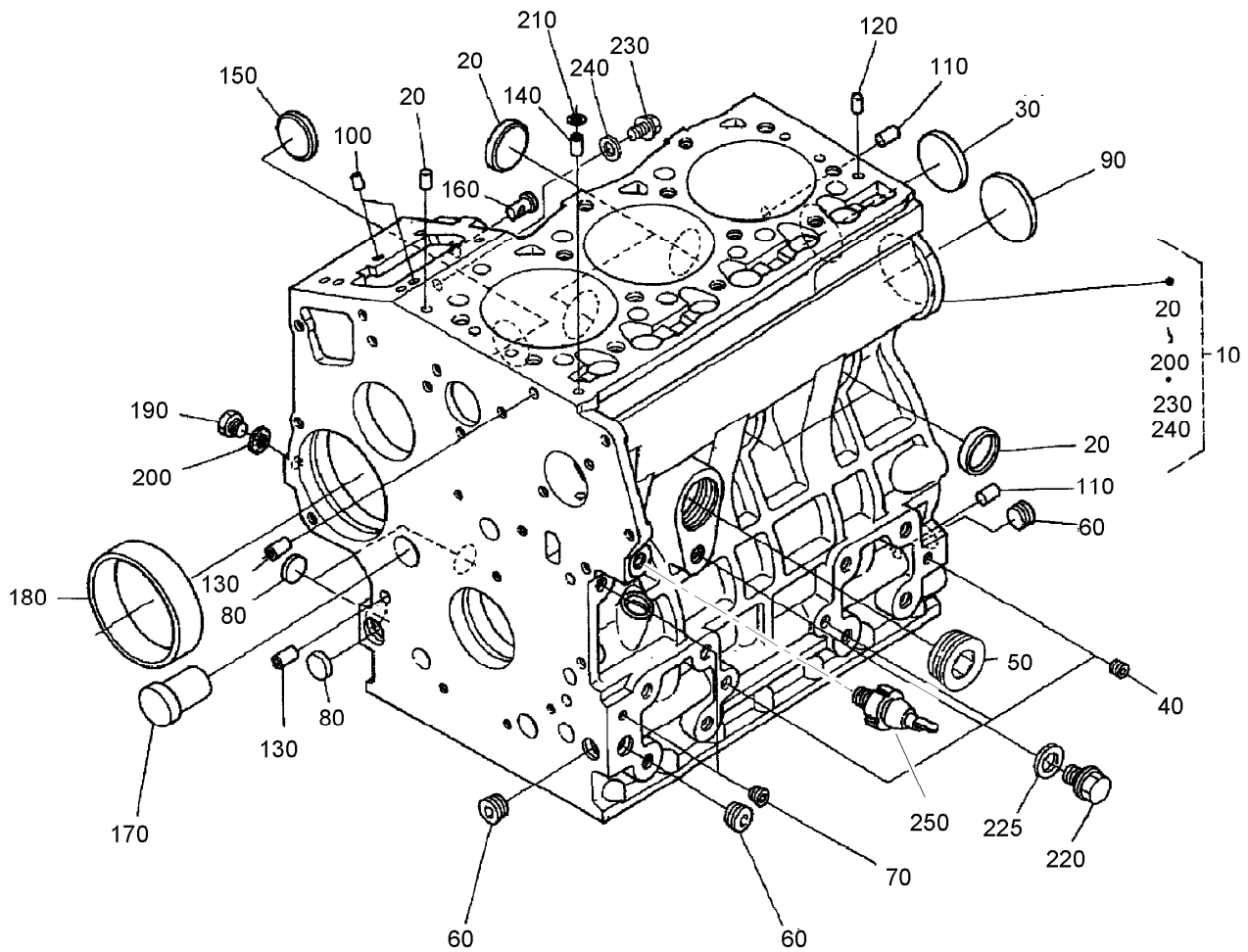
| Ref.   | Part Number | Qty. | Description              |
|--------|-------------|------|--------------------------|
| 1      | 10-8110     | 2    | Washer-Thrust            |
| 2      | 21-0141     | 2    | RH Ball Joint ASM        |
| 3      | 21-0151     | 2    | LH Ball Joint ASM        |
| 4      | 256-121     | 2    | Washer-Thrust            |
| 6      | 32151-36    | 2    | Ring-Retaining           |
| 7      | 32151-77    | 1    | Ring-Retaining, External |
| 8      | 3220-12     | 2    | Nut-HJ (LH Thread)       |
| 9      | 3220-3      | 8    | Nut-HJ                   |
| 10     | 3220-5      | 2    | Nut-Jam                  |
| 11     | 3234-13     | 2    | Screw-HHF                |
| 12     | 5-1226      | 2    | Washer                   |
| 13     | 66-2990     | 2    | Cap-Spindle              |
| 14     | 99-6935-03  | 1    | Rear Axle ASM            |
| 14:2:2 | 302-5       | 2    | Fitting-Grease           |
| 14:2:3 | 67-1750     | 4    | Bushing                  |
| 14:2:4 | 99-6964     | 2    | Bushing-Axle             |
| 15     | 75-4410-03  | 1    | Pivot Plate ASM          |
| 15:2:1 | 302-5       | 1    | Fitting-Grease           |
| 15:2:3 | 75-2910     | 1    | Plate-Pivot              |
| 15:2:4 | 76-2970     | 2    | Bushing-Straight         |
| 16     | 75-3130-03  | 2    | Rod-Tie                  |
| 18     | 76-2980     | 1    | Washer-Thrust            |
| 19     | 93-7000-03  | 1    | Spindle-RH               |
| 20     | 93-7001-03  | 1    | Spindle-LH               |



## Hydraulic Cylinder Assembly No. 75-1200

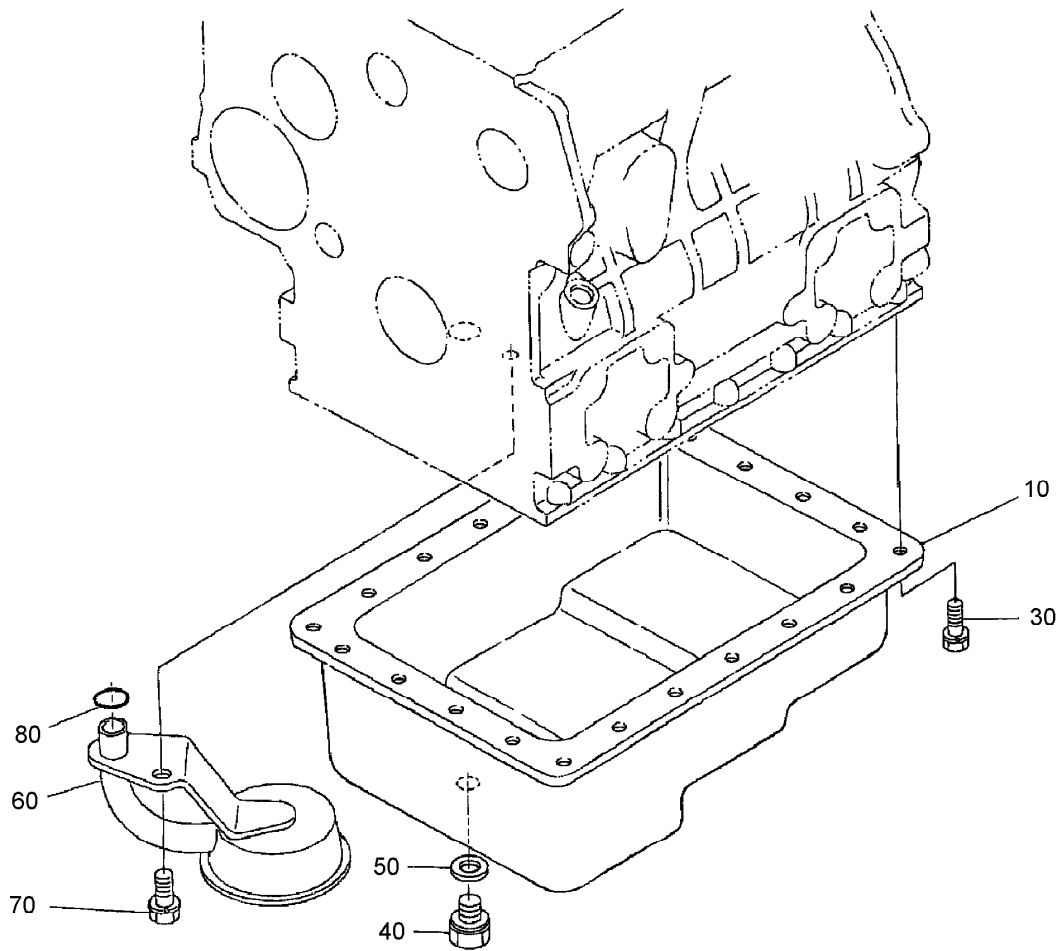
| Ref. | Part Number | Qty. | Description    |
|------|-------------|------|----------------|
| 1    |             | 1    | Rod ●          |
| 3    |             | 1    | Nut ●          |
| 4    |             | 1    | Piston ●       |
| 5    |             | 1    | Head ●         |
| 6    | 75-1250     | 1    | Seal Kit       |
| 6:1  |             | 1    | Ring-Servon ●  |
| 6:2  |             | 1    | Seal-Dust ●    |
| 6:3  |             | 1    | Seal-Dust ●    |
| 6:4  |             | 1    | Seal-Dust ●    |
| 6:5  |             | 1    | U-Cup ●        |
| 6:6  |             | 1    | Wiper ●        |
| 7    | 302-5       | 2    | Fitting-Grease |

● Not serviced separately



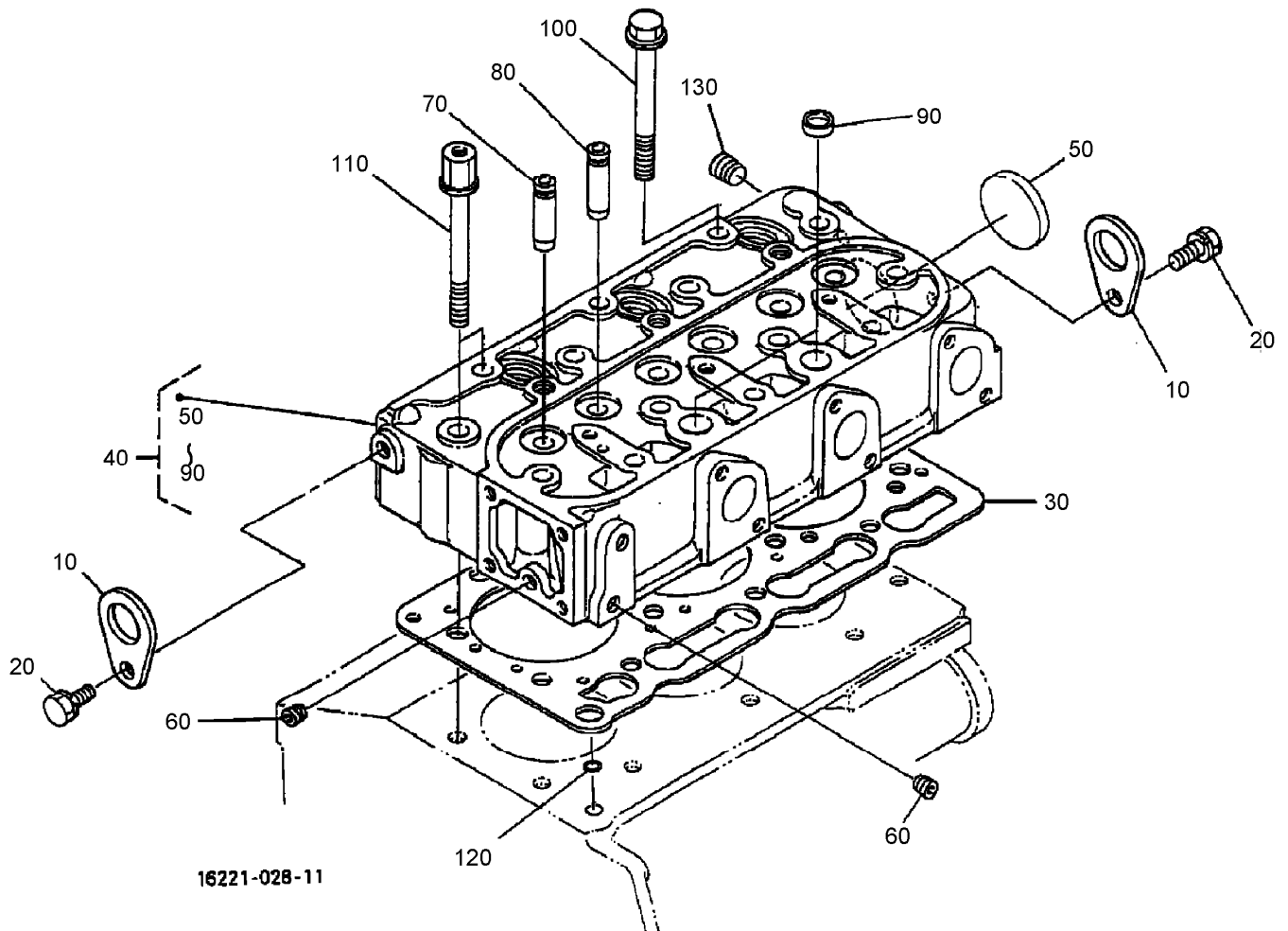
## Crankcase Assembly

| <i>Ref.</i> | <i>Part Number</i> | <i>Qty.</i> | <i>Description</i> | <i>Ref.</i> | <i>Part Number</i> | <i>Qty.</i> | <i>Description</i>     |
|-------------|--------------------|-------------|--------------------|-------------|--------------------|-------------|------------------------|
| 10          | 107-9064           | 1           | Crankcase ASM      | 140         | 98-9539            | 1           | Pin-Pipe               |
| 20          | 98-9398            | 4           | Cap-Sealing        | 150         | 98-9599            | 1           | Plug                   |
| 30          | 98-7539            | 1           | Cap-Sealing        | 160         | 98-9630            | 1           | Pin-Spring, Start      |
| 40          | 98-7540            | 3           | Plug               | 170         | 98-9675            | 1           | Plug                   |
| 50          | 105-3779           | 1           | Plug               | 180         | 98-9656            | 1           | Bushing-Governor, Gear |
| 60          | 98-9597            | 3           | Plug               | 190         | 98-7507            | 1           | Plug                   |
| 70          | 98-7487            | 2           | Plug               | 200         | 98-7428            | 1           | Gasket                 |
| 80          | 98-7489            | 3           | Plug               | 210         | 98-7509            | 1           | O-Ring                 |
| 90          | 98-9668            | 1           | Plug-Expansion     | 220         | 99-3447            | 1           | Plug                   |
| 100         | 98-9375            | 2           | Pin-Straight       | 225         | 106-7056           | 1           | Gasket                 |
| 110         | 98-9377            | 2           | Pin-Straight       | 230         | 99-8363            | 1           | Bolt-Flange            |
| 120         | 105-3795           | 2           | Pin-Straight       | 240         | 98-7654            | 1           | Gasket                 |
| 130         | 98-9387            | 2           | Pin-Pipe           | 250         | 98-9416            | 1           | Switch-Oil             |



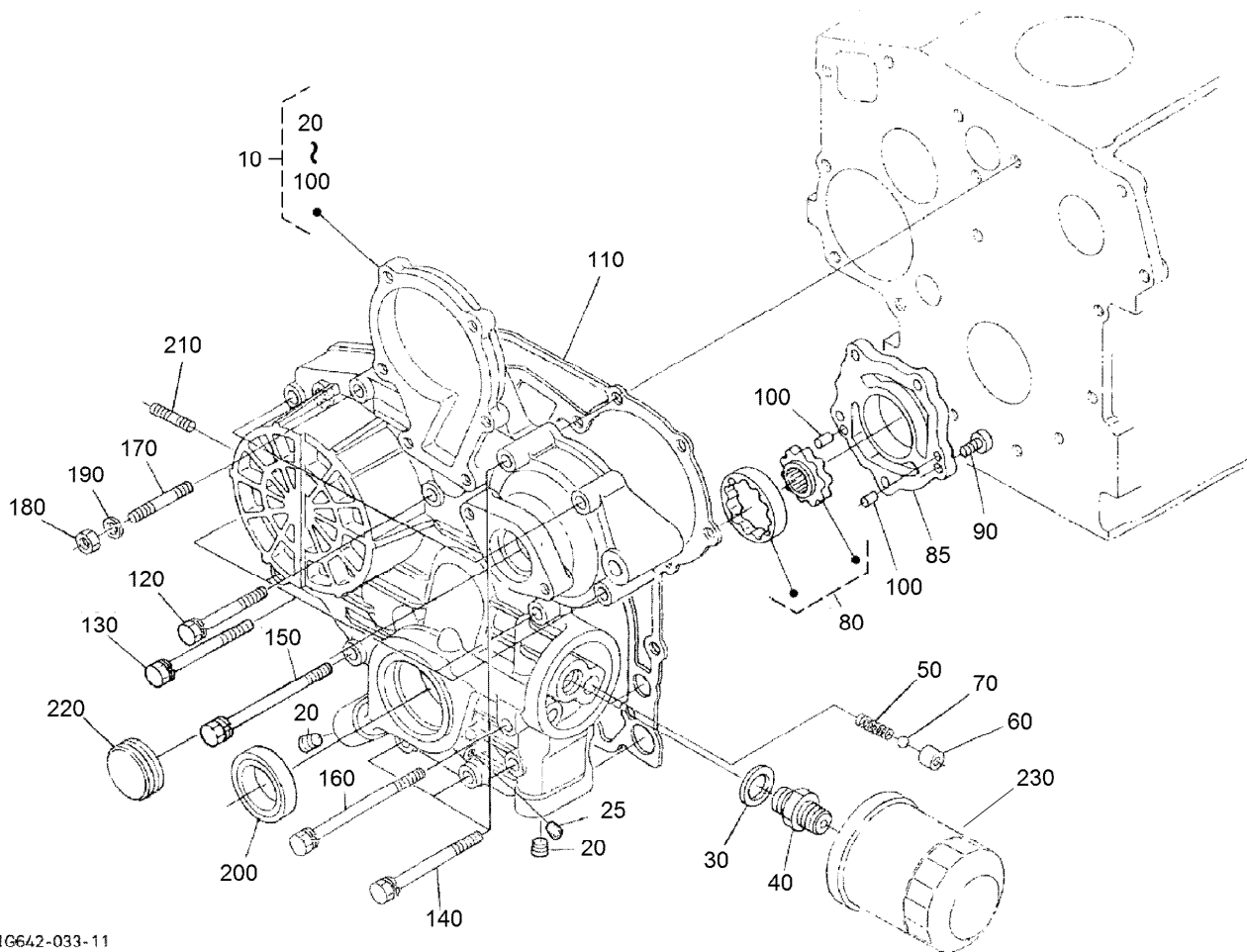
## Oil Pan Assembly

| <i>Ref.</i> | <i>Part Number</i> | <i>Qty.</i> | <i>Description</i> |
|-------------|--------------------|-------------|--------------------|
| 10          | 104-3495           | 1           | Pan-Oil            |
| 30          | 107-9065           | 22          | Bolt               |
| 40          | 98-9386            | 1           | Plug               |
| 50          | 98-7524            | 1           | Gasket             |
| 60          | 104-3496           | 1           | Filter-Pickup, Oil |
| 70          | 98-7526            | 1           | Bolt               |
| 80          | 105-3776           | 1           | O-Ring             |



## Cylinder Head Assembly

| <i>Ref.</i> | <i>Part Number</i> | <i>Qty.</i> | <i>Description</i>    |
|-------------|--------------------|-------------|-----------------------|
| 10          | 98-7531            | 2           | Hook-Engine           |
| 20          | 100-9195           | 2           | Bolt                  |
| 30          | 105-3780           | 1           | Gasket-Head, Cylinder |
| 40          | 98-9460            | 1           | Cylinder Head ASM     |
| 50          | 98-9395            | 1           | Cap-Sealing           |
| 60          | 98-7540            | 2           | Plug                  |
| 70          | 107-9066           | 3           | Guide-Valve, Inlet    |
| 80          | 107-9067           | 3           | Guide-Valve, Exhaust  |
| 90          | 98-9389            | 2           | Cap-Sealing           |
| 100         | 98-9479            | 1           | Bolt-Head, Cylinder   |
| 110         | 98-9647            | 2           | Bolt-Head, Cylinder   |
| 120         | 98-7509            | 1           | O-Ring                |
| 130         | 98-9444            | 1           | Plug                  |

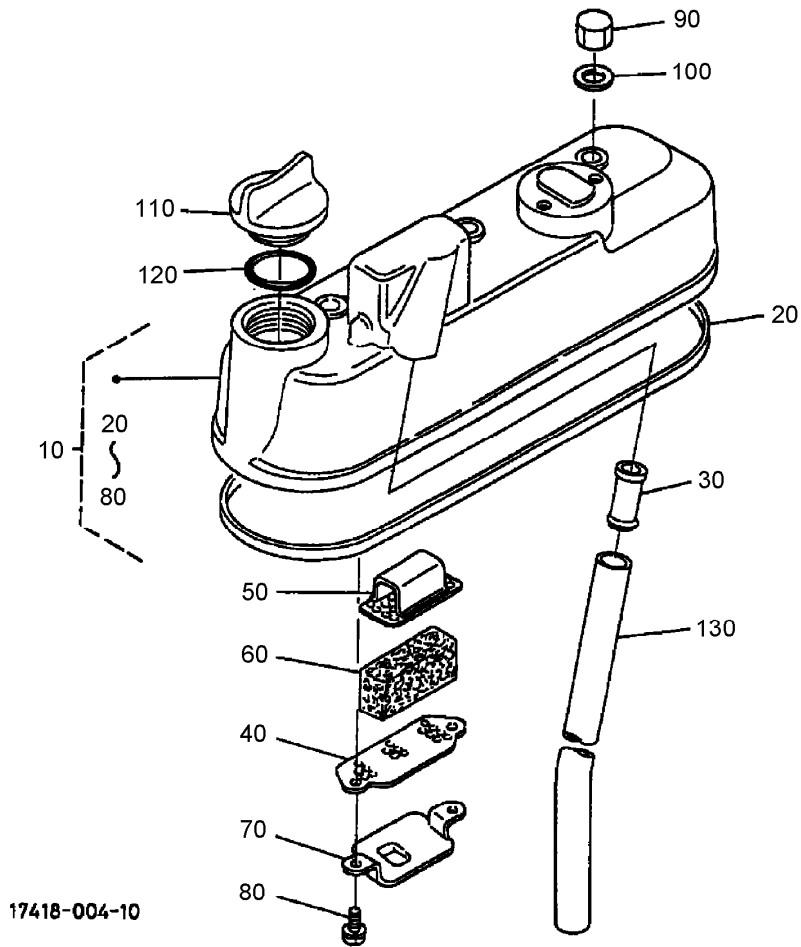


1G642-033-11

## Gear Case Assembly

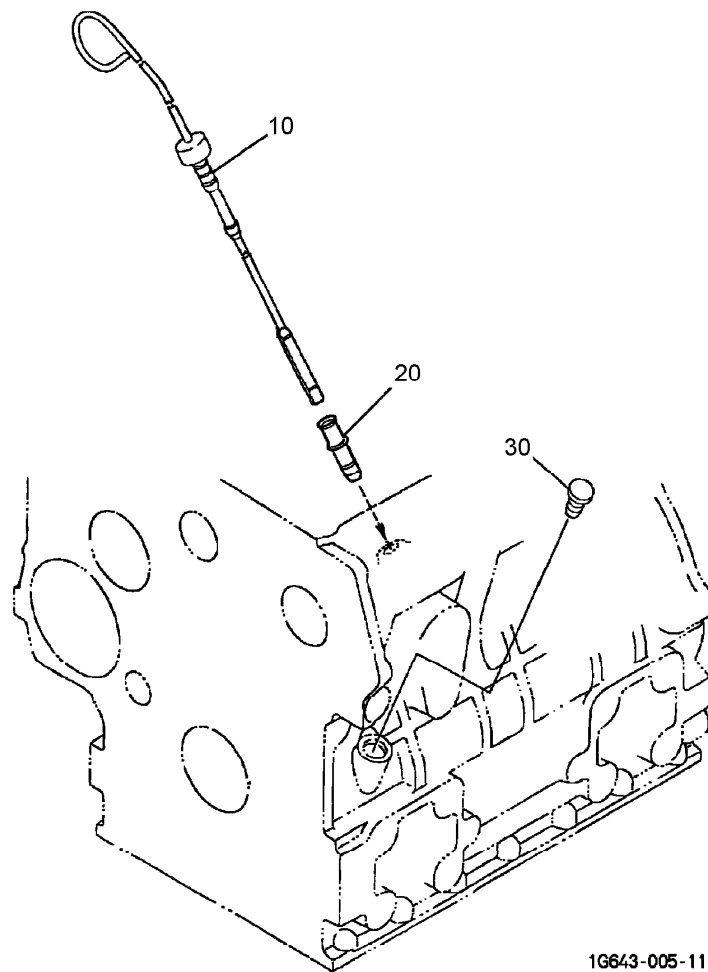
| <i>Ref.</i> | <i>Part Number</i> | <i>Qty.</i> | <i>Description</i> |
|-------------|--------------------|-------------|--------------------|
| 10          | 107-9068           | 1           | Gear Case ASM      |
| 20          | 98-9598            | 2           | Plug               |
| 25          | 98-7487            | 1           | Plug               |
| 30          | 98-7562            | 1           | Washer-Plain       |
| 40          | 98-9388            | 1           | Joint-Pipe         |
| 50          | 98-9544            | 1           | Spring             |
| 60          | 98-9543            | 1           | Seat-Valve         |
| 70          | 98-9380            | 1           | Ball               |
| 80          | 98-9540            | 1           | Oil Pump Rotor ASM |
| 85          | 107-9069           | 1           | Cover-Pump, Oil    |
| 90          | 107-9071           | 5           | Screw              |
| 100         | 107-9072           | 2           | Pin-Straight       |
| 110         | 98-9633            | 1           | Gasket-Case, Gear  |

| <i>Ref.</i> | <i>Part Number</i> | <i>Qty.</i> | <i>Description</i> |
|-------------|--------------------|-------------|--------------------|
| 120         | 107-9073           | 3           | Bolt               |
| 130         | 105-3797           | 4           | Bolt               |
| 140         | 98-9356            | 4           | Bolt               |
| 150         | 107-9074           | 1           | Bolt               |
| 160         | 98-9586            | 1           | Bolt               |
| 170         | 105-3709           | 1           | Stud               |
| 180         | 98-7572            | 1           | Nut                |
| 190         | 98-7699            | 1           | Washer-Spring      |
| 200         | 98-9482            | 1           | Seal-Oil           |
| 210         | 105-3710           | 2           | Stud               |
| 220         | 98-9641            | 1           | Cover-Case, Gear   |
| 230         | 104-5167           | 1           | Filter-Oil         |



## Head Cover Assembly

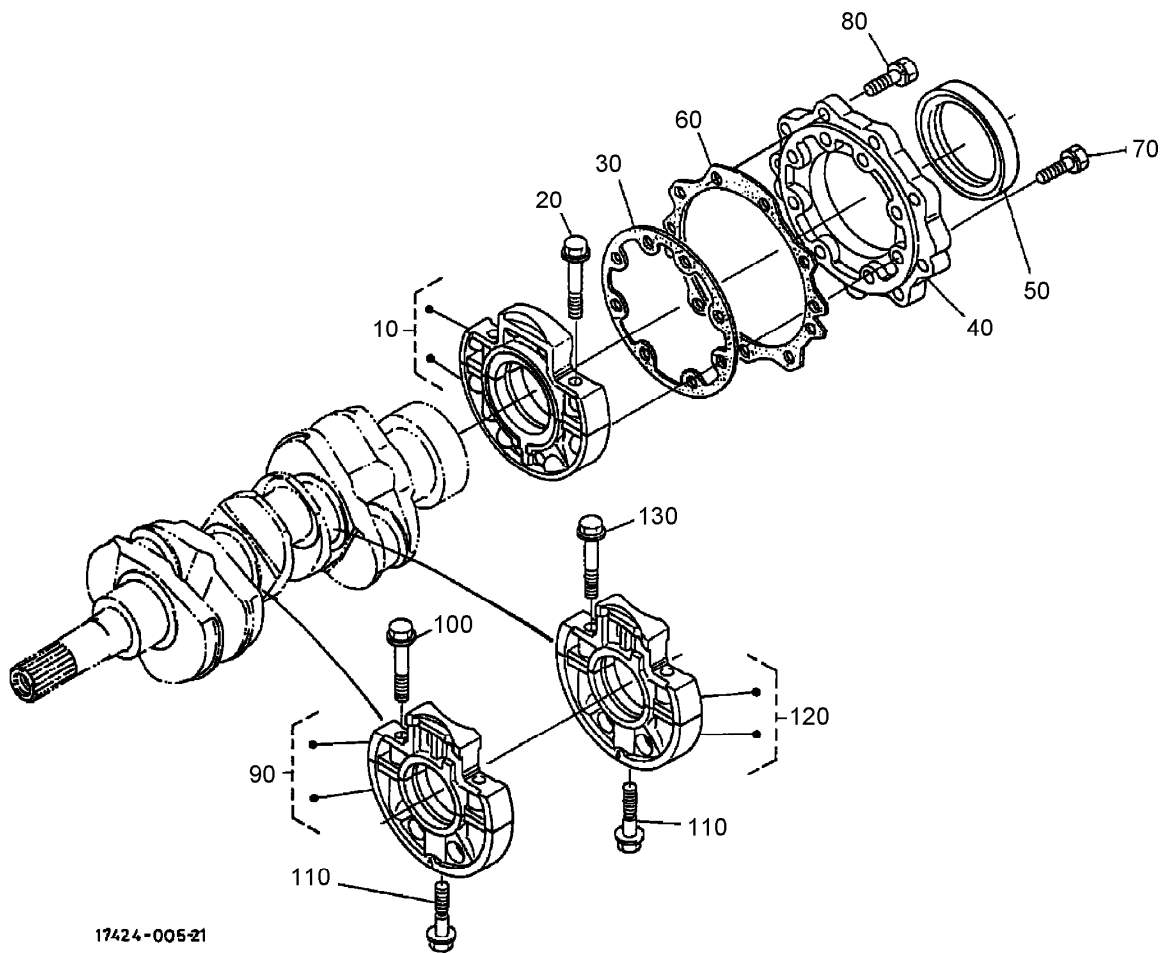
| <i>Ref.</i> | <i>Part Number</i> | <i>Qty.</i> | <i>Description</i>      |
|-------------|--------------------|-------------|-------------------------|
| 10          | 98-9614            | 1           | Cylinder Head Cover ASM |
| 20          | 98-9615            | 1           | Gasket-Cover, Head      |
| 30          | 98-9492            | 1           | Joint-Pipe, Breather    |
| 40          | 98-9488            | 1           | Plate-Element, Breather |
| 50          | 98-9489            | 1           | Plate-Element, Breather |
| 60          | 98-9493            | 1           | Element-Breather        |
| 70          | 98-9490            | 1           | Shield-Oil, Breather    |
| 80          | 98-9364            | 2           | Screw (With Washer)     |
| 90          | 98-9455            | 3           | Nut-Cap                 |
| 100         | 98-9454            | 3           | Gasket                  |
| 110         | 107-9075           | 1           | Plug-Filler, Oil        |
| 120         | 99-3446            | 1           | O-Ring                  |
| 130         | 98-9491            | 1           | Pipe-Breather           |



1G643-005-11

## Dipstick and Guide Assembly

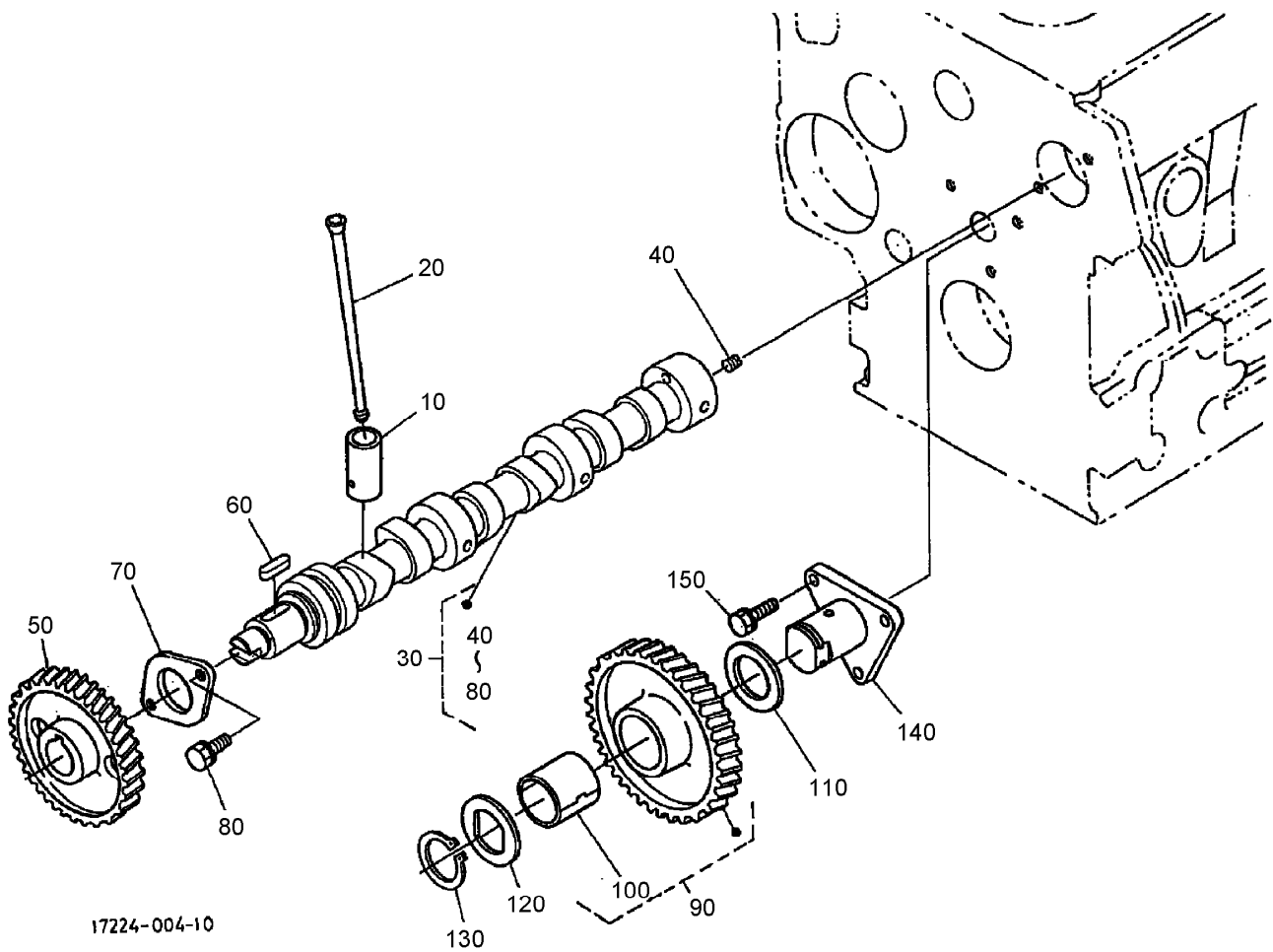
| <i>Ref.</i> | <i>Part Number</i> | <i>Qty.</i> | <i>Description</i> |
|-------------|--------------------|-------------|--------------------|
| 10          | 107-9076           | 1           | Gauge-Oil          |
| 20          | 105-3713           | 1           | Guide-Gauge, Oil   |
| 30          | 105-3715           | 1           | Plug-Gauge, Oil    |



17424-005-21

## Main Bearing Case Assembly

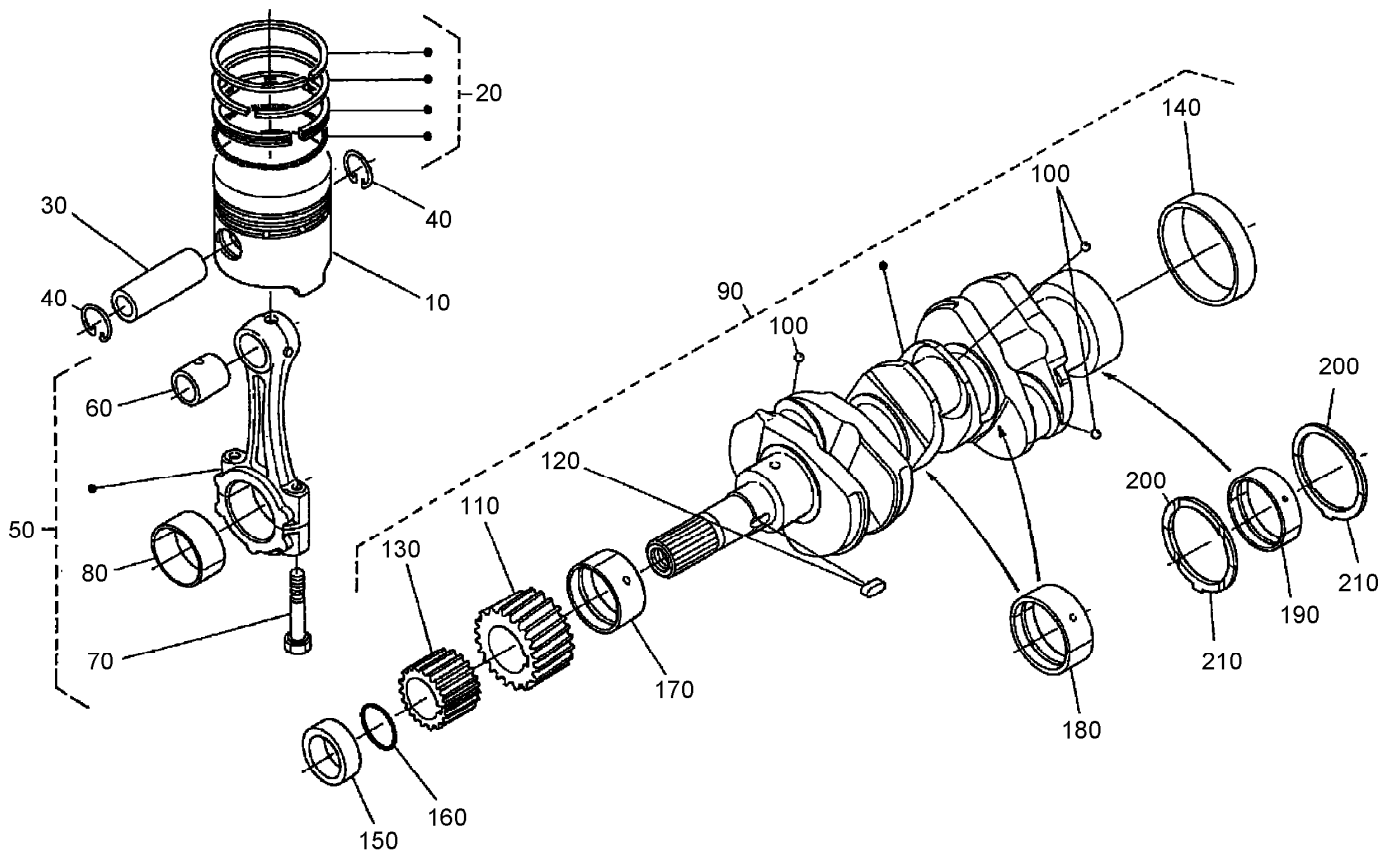
| <i>Ref.</i> | <i>Part Number</i> | <i>Qty.</i> | <i>Description</i>         |
|-------------|--------------------|-------------|----------------------------|
| 10          | 98-9480            | 1           | Main Bearing Case ASM      |
| 20          | 98-9484            | 6           | Bolt-Case, Bearing         |
| 30          | 98-9634            | 1           | Gasket-Case, Bearing       |
| 40          | 98-9487            | 1           | Cover-Case, Bearing        |
| 50          | 98-9483            | 1           | Seal-Oil                   |
| 60          | 98-9635            | 1           | Gasket-Cover, Bearing Case |
| 70          | 98-9352            | 8           | Bolt                       |
| 80          | 98-7568            | 9           | Bolt                       |
| 90          | 98-9606            | 1           | Main Bearing Case ASM      |
| 100         | 98-9484            | 2           | Bolt-Case, Bearing         |
| 110         | 98-9485            | 2           | Bolt-Case, Bearing         |
| 120         | 98-9607            | 1           | Main Bearing Case ASM      |
| 130         | 98-9484            | 2           | Bolt-Case, Bearing         |



17224-004-10

## Camshaft And Idle Gear Shaft Assembly

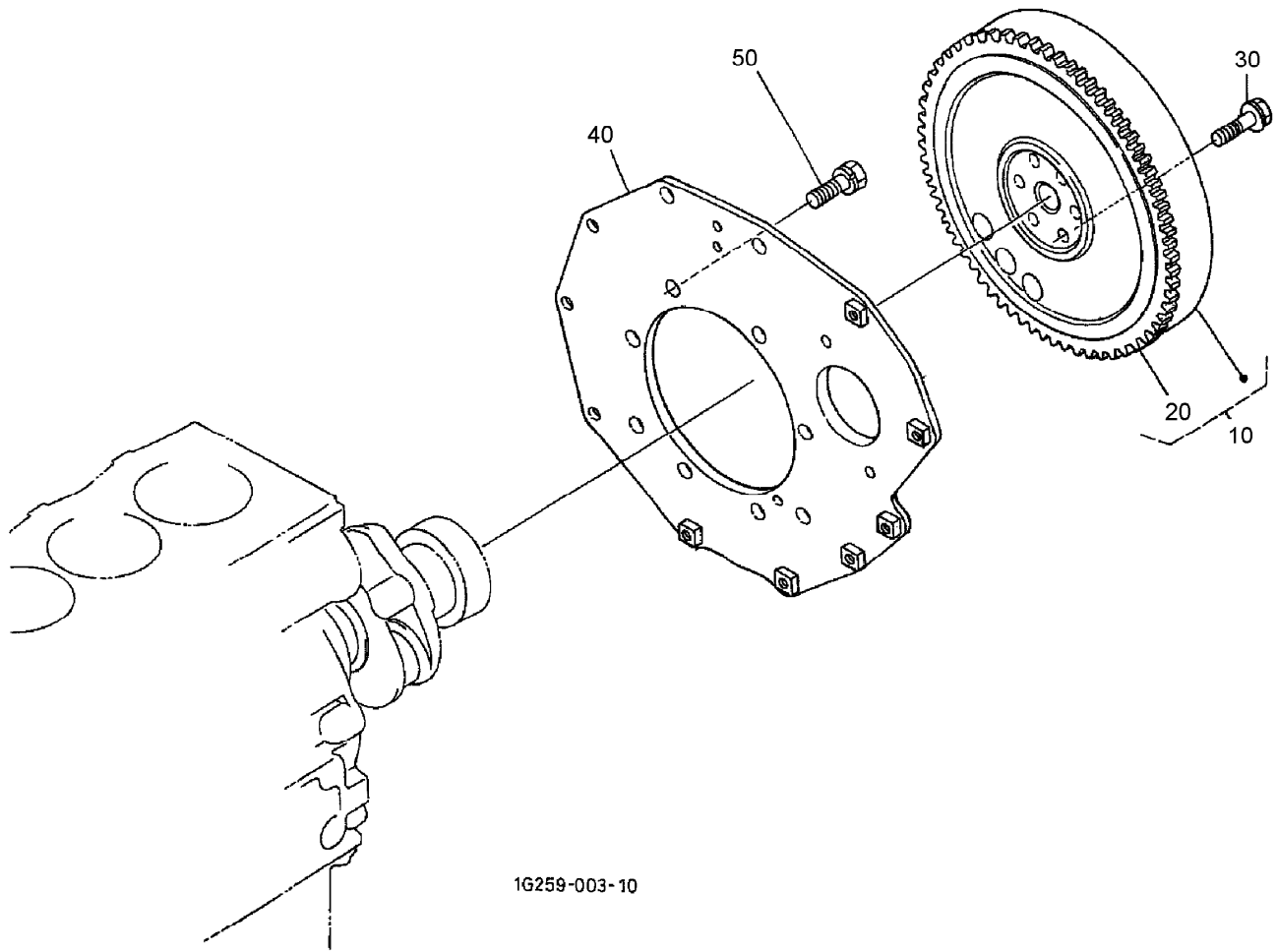
| <i>Ref.</i> | <i>Part Number</i> | <i>Qty.</i> | <i>Description</i> |
|-------------|--------------------|-------------|--------------------|
| 10          | 98-9616            | 6           | Tappet             |
| 20          | 98-9509            | 6           | Rod-Push           |
| 30          | 98-9617            | 1           | Camshaft ASM       |
| 40          | 98-7449            | 1           | Screw-Set          |
| 50          | 98-9512            | 1           | Gear-Cam           |
| 60          | 98-9378            | 1           | Key-Feather        |
| 70          | 98-9510            | 1           | Stopper-Camshaft   |
| 80          | 98-9351            | 2           | Bolt               |
| 90          | 98-9649            | 1           | Idle Gear ASM      |
| 100         | 98-9650            | 1           | Bushing-Gear, Idle |
| 110         | 98-9535            | 1           | Collar-Gear, Idle  |
| 120         | 98-9536            | 1           | Collar-Gear, Idle  |
| 130         | 98-9534            | 1           | Circlip-Gear, Idle |
| 140         | 98-9533            | 1           | Shaft-Gear, Idle   |
| 150         | 98-7692            | 3           | Bolt               |



16221-009-10

## Piston and Crankshaft Assembly

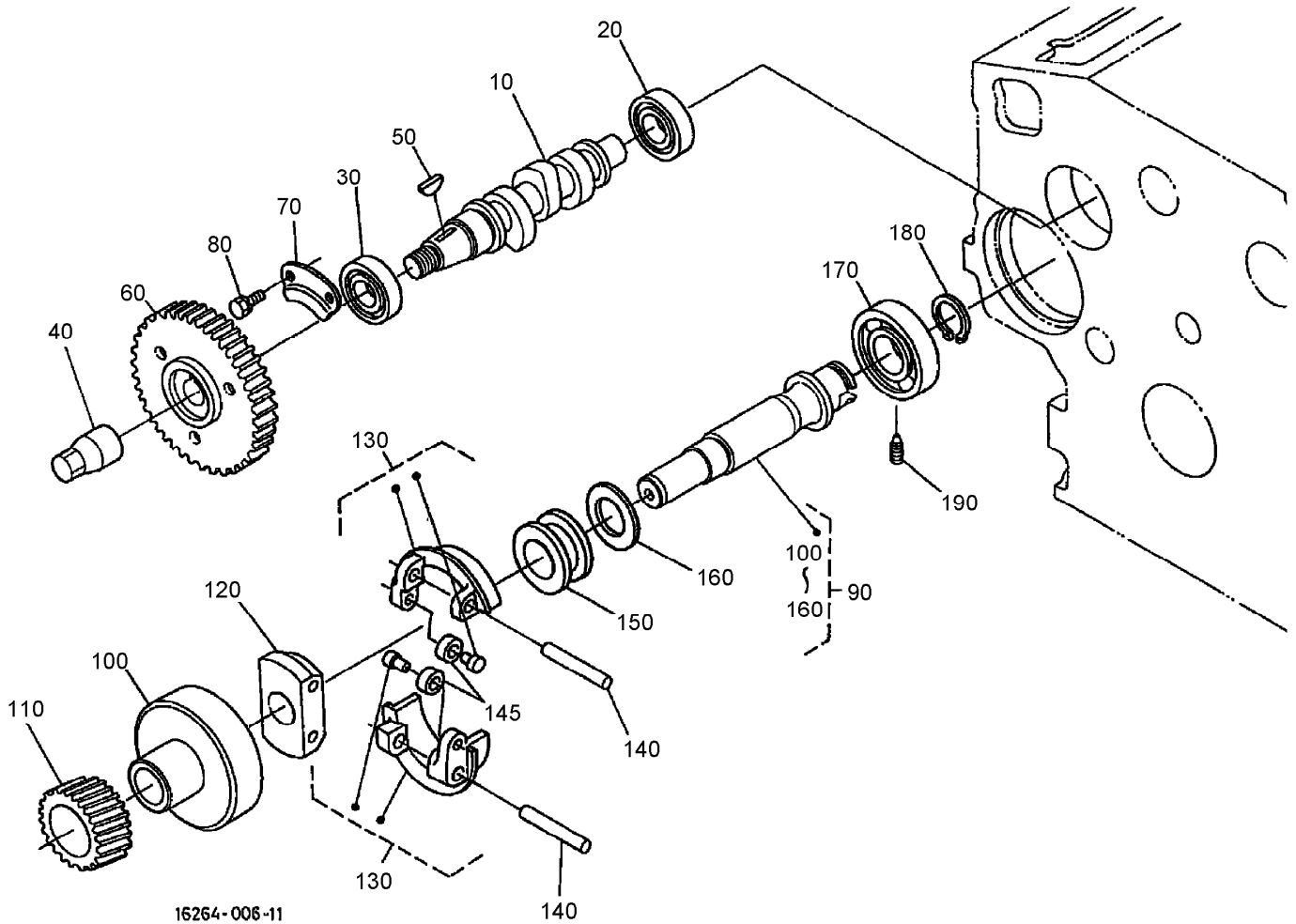
| <i>Ref.</i> | <i>Part Number</i> | <i>Qty.</i> | <i>Description</i>      | <i>Ref.</i> | <i>Part Number</i> | <i>Qty.</i> | <i>Description</i>         |
|-------------|--------------------|-------------|-------------------------|-------------|--------------------|-------------|----------------------------|
| 10          | 98-9470            | 3           | Piston (0.5Mm)          | 150         | 98-9521            | 1           | Collar-Crankshaft          |
| 10          | 98-9469            | 3           | *obs* Piston (STD)      | 160         | 105-3783           | 1           | O-Ring                     |
| 20          | 98-9619            | 3           | Piston Ring ASM (0.5Mm) | 170         | 98-9523            | 1           | Metal Crankshaft (STD)     |
| 20          | 98-9618            | 3           | Piston Ring ASM (STD)   | 170         | 98-9528            | 1           | Bearing-Main (-0.2Mm)      |
| 30          | 98-9513            | 3           | Pin-Piston              | 170         | 98-9529            | 1           | Bearing-Main (0.4Mm)       |
| 40          | 98-9514            | 6           | Circlip-Pin, Piston     | 180         | 98-9524            | 2           | Metal-Crankshaft (STD Set) |
| 50          | 98-9516            | 3           | Connecting Rod ASM      | 180         | 98-9530            | 2           | Bearing-Main (0.2Mm)       |
| 60          | 98-9515            | 3           | Bushing-Pin, Piston     | 180         | 98-9531            | 2           | Bearing-Main (0.4Mm)       |
| 70          | 98-9517            | 6           | Bolt-Rod, Connecting    | 190         | 98-9556            | 1           | Bearing-Main (STD)         |
| 80          | 98-9520            | 3           | Bearing-Rod (0.4Mm)     | 190         | 105-3719           | 1           | Metal-Crankshaft (.2Mm)    |
| 80          | 98-9519            | 3           | Bearing-Rod (0.2Mm)     | 190         | 105-3720           | 1           | Metal-Crankshaft (.4Mm)    |
| 80          | 98-9518            | 3           | Metal-Crankpin (STD)    | 200         | 98-9413            | 2           | Bearing-Thrust (STD)       |
| 90          | 98-9642            | 1           | Crankshaft ASM          | 200         | 98-9414            | 2           | Bearing-Thrust (0.2Mm)     |
| 100         | 98-7473            | 3           | Ball                    | 200         | 98-9415            | 2           | Bearing-Thrust (0.4Mm)     |
| 110         | 98-9532            | 1           | Gear-Crankshaft         | 210         | 98-9688            | 2           | Bearing-Thrust (STD)       |
| 120         | 98-9666            | 1           | Key                     | 210         | 98-9689            | 2           | Bearing-Thrust (0.2Mm)     |
| 130         | 98-9542            | 1           | Gear-Drive, Oil Pump    | 210         | 98-9690            | 2           | Bearing-Thrust (0.4Mm)     |
| 140         | 98-9522            | 1           | Sleeve-Crankshaft       |             |                    |             |                            |



1G259-003-10

## Flywheel Assembly

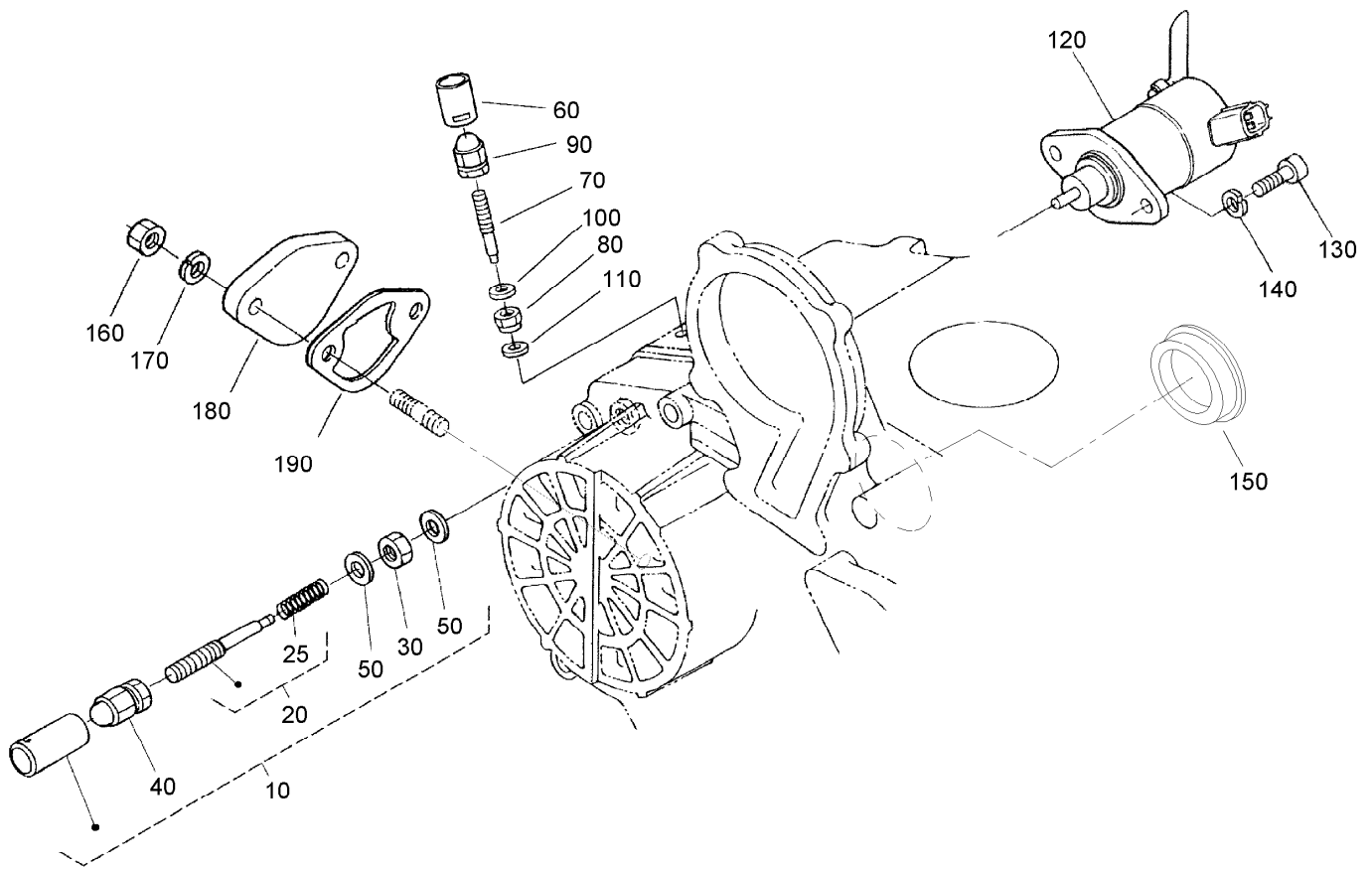
| <i>Ref.</i> | <i>Part Number</i> | <i>Qty.</i> | <i>Description</i> |
|-------------|--------------------|-------------|--------------------|
| 10          | 105-3784           | 1           | Flywheel ASM       |
| 20          | 105-3722           | 1           | Gear-Ring          |
| 30          | 98-9537            | 6           | Bolt-Flywheel      |
| 40          | 98-9486            | 1           | Plate-End, Rear    |
| 50          | 98-9392            | 8           | Bolt               |



16264-006-11

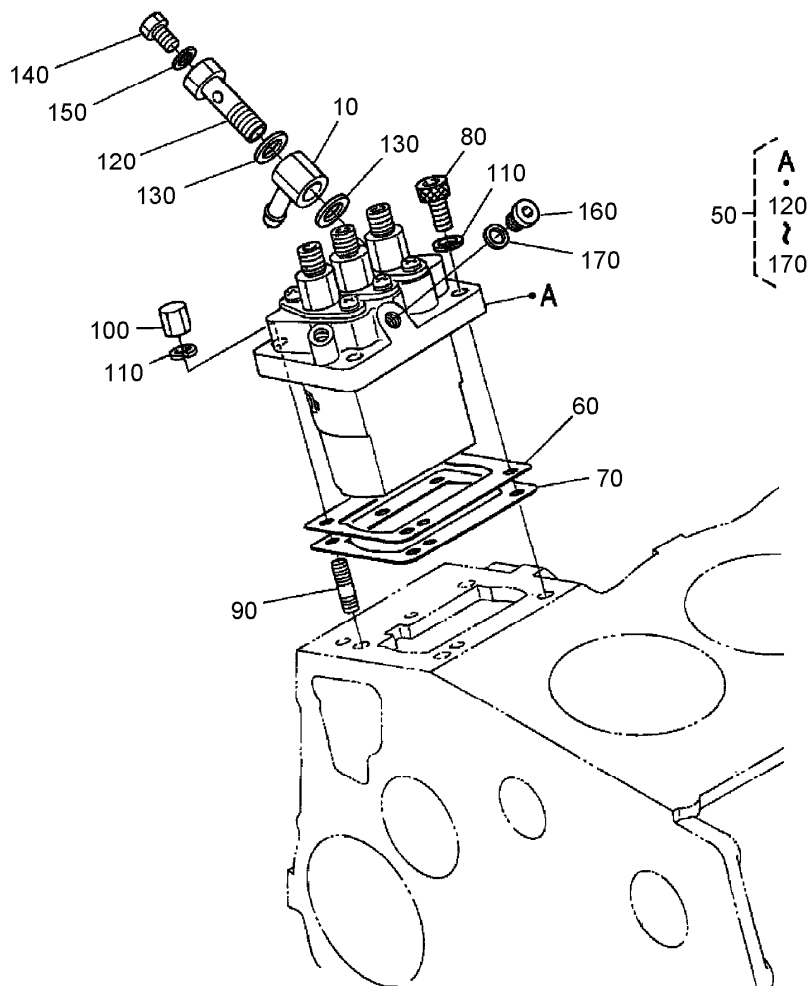
## Fuel Camshaft and Governor Shaft Assembly

| Ref. | Part Number | Qty. | Description             |
|------|-------------|------|-------------------------|
| 10   | 98-9459     | 1    | Camshaft-Fuel           |
| 20   | 107-9077    | 1    | Bearing-Ball            |
| 30   | 107-9078    | 1    | Bearing-Ball            |
| 40   | 98-9590     | 1    | Nut-Cap                 |
| 50   | 98-9595     | 1    | Key-Woodruff            |
| 60   | 98-9669     | 1    | Gear-Pump, Injection    |
| 70   | 98-9511     | 1    | Stopper-Fuel, Camshaft  |
| 80   | 98-9350     | 2    | Bolt                    |
| 90   | 98-9644     | 1    | Governor Shaft ASM      |
| 100  | 98-9562     | 1    | Holder-Gear, Governor   |
| 110  | 98-9673     | 1    | Gear-Governor           |
| 120  | 98-9561     | 1    | Holder-Weight, Governor |
| 130  | 98-9559     | 2    | Governor Weight ASM     |
| 140  | 98-9560     | 2    | Shaft-Weight, Governor  |
| 145  | 98-9692     | 2    | Roller                  |
| 150  | 98-9563     | 1    | Sleeve-Governor         |
| 160  | 98-9564     | 1    | Washer-Thrust           |
| 170  | 107-9079    | 1    | Bearing-Ball            |
| 180  | 98-9657     | 1    | Circlip-Shaft, Governor |
| 190  | 98-9565     | 1    | Screw-Set               |



## Idle Apparatus Assembly

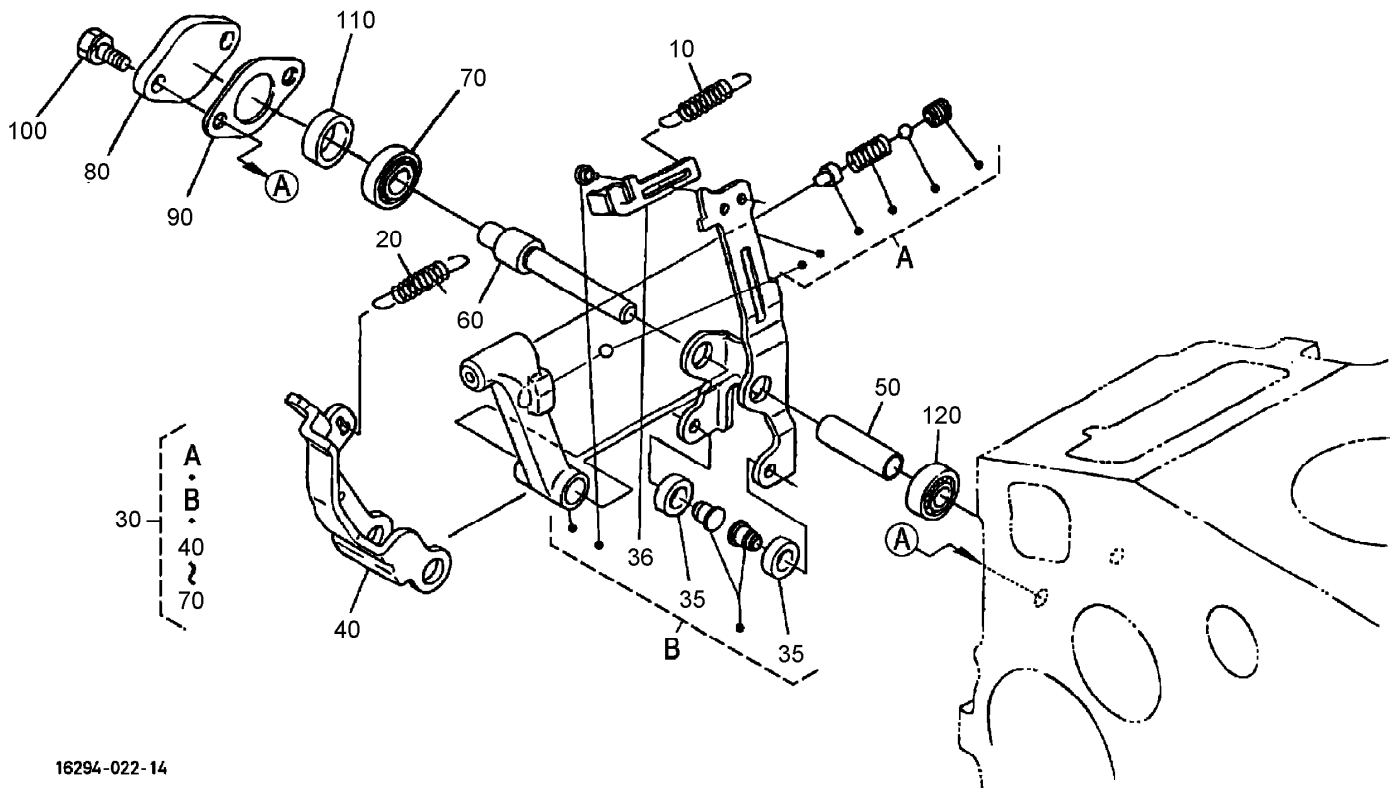
| <b>Ref.</b> | <b>Part Number</b> | <b>Qty.</b> | <b>Description</b> |
|-------------|--------------------|-------------|--------------------|
| 10          | 98-9678            | 1           | Idle Apparatus ASM |
| 20          | 98-9679            | 1           | Adjusting Bolt ASM |
| 25          | 107-9080           | 1           | Spring             |
| 30          | 98-9439            | 1           | Nut                |
| 40          | 99-8387            | 1           | Nut-Cap            |
| 50          | 98-7654            | 2           | Gasket             |
| 60          | 98-7656            | 1           | Cap                |
| 70          | 98-9557            | 1           | Bolt-Adjusting     |
| 80          | 99-3512            | 1           | Nut                |
| 90          | 99-8387            | 1           | Nut-Cap            |
| 100         | 98-7654            | 1           | Gasket             |
| 110         | 107-9081           | 1           | Gasket             |
| 120         | 104-5155           | 1           | Solenoid-Stop      |
| 130         | 105-3799           | 2           | Bolt-HSH           |
| 140         | 98-7699            | 2           | Washer-Spring      |
| 150         | 98-9640            | 1           | Cover-Pump         |
| 160         | 98-7572            | 2           | Nut                |
| 170         | 98-7699            | 2           | Washer-Spring      |
| 180         | 99-3514            | 1           | Cover              |
| 190         | 98-9636            | 1           | Gasket-Pump, Fuel  |



16611-021-22

## Injection Pump Assembly

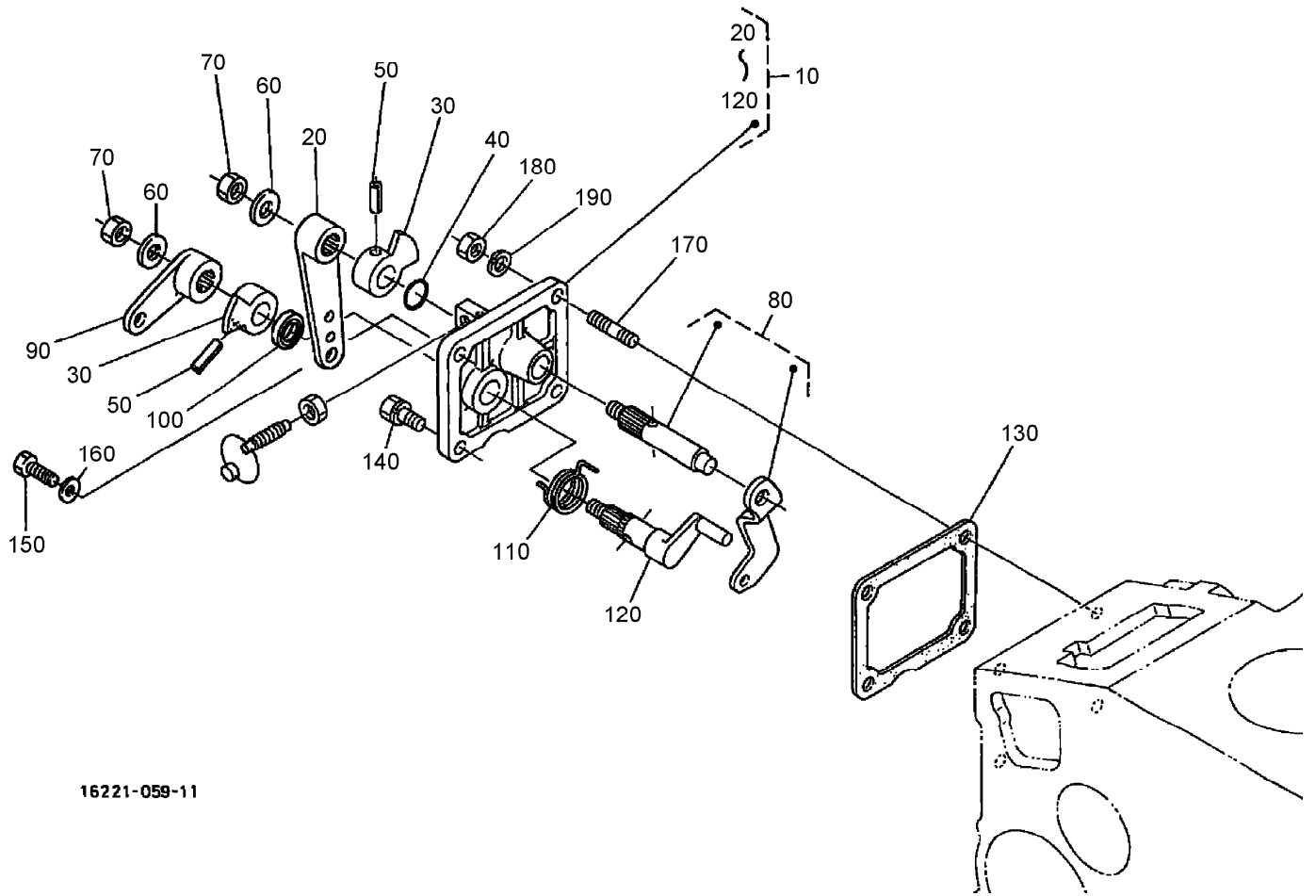
| <i>Ref.</i> | <i>Part Number</i> | <i>Qty.</i> | <i>Description</i>      |
|-------------|--------------------|-------------|-------------------------|
| 10          | 98-9596            | 1           | Joint-Eye               |
| 50          | 98-9643            | 1           | Injection Pump ASM      |
| 60          | 98-9457            | 1           | Shim-Injection (0.25Mm) |
| 60          | 98-9456            | 1           | Shim-Injection (0.20Mm) |
| 70          | 98-9458            | 1           | Shim-Injection (0.30Mm) |
| 80          | 98-9361            | 2           | Bolt-HSH                |
| 90          | 98-9438            | 2           | Stud                    |
| 100         | 98-9440            | 2           | Nut-Cap                 |
| 110         | 98-7699            | 4           | Washer-Spring           |
| 120         | 98-9464            | 1           | Bolt-Joint              |
| 130         | 98-9445            | 2           | Gasket                  |
| 140         | 98-9430            | 1           | Screw                   |
| 150         | 98-9446            | 1           | Gasket                  |
| 160         | 98-9466            | 1           | Plug                    |
| 170         | 98-9451            | 1           | Gasket                  |



16294-022-14

## Governor Assembly

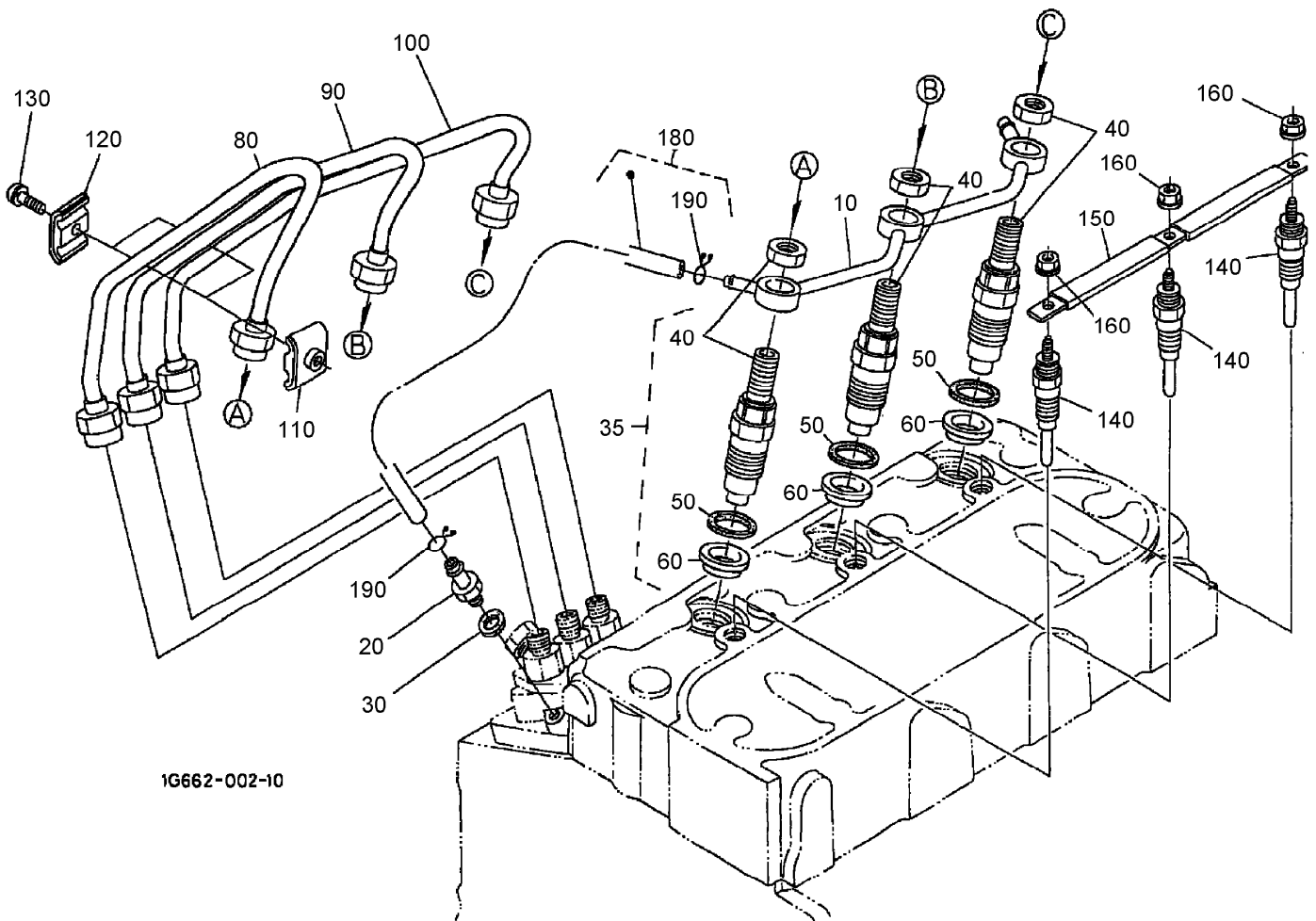
| <i>Ref.</i> | <i>Part Number</i> | <i>Qty.</i> | <i>Description</i>      |
|-------------|--------------------|-------------|-------------------------|
| 10          | 105-3786           | 1           | Spring-Start            |
| 20          | 98-9681            | 1           | Spring-Governor         |
| 30          | 107-9082           | 1           | Fork Lever ASM          |
| 35          | 98-9692            | 2           | Roller                  |
| 36          | 107-9083           | 1           | Lever-Thrust            |
| 40          | 107-9084           | 1           | Lever-Fork              |
| 50          | 107-9085           | 1           | Shaft-Lever, Fork       |
| 60          | 107-9086           | 1           | Shaft-Lever, Fork       |
| 70          | 98-9570            | 1           | Bearing-Miniaturize     |
| 80          | 98-9569            | 1           | Cover-Shaft, Fork Lever |
| 90          | 98-9682            | 1           | Gasket                  |
| 100         | 98-9351            | 2           | Bolt                    |
| 110         | 98-9567            | 1           | Collar                  |
| 120         | 98-9571            | 1           | Bearing-Miniaturize     |



16221-059-11

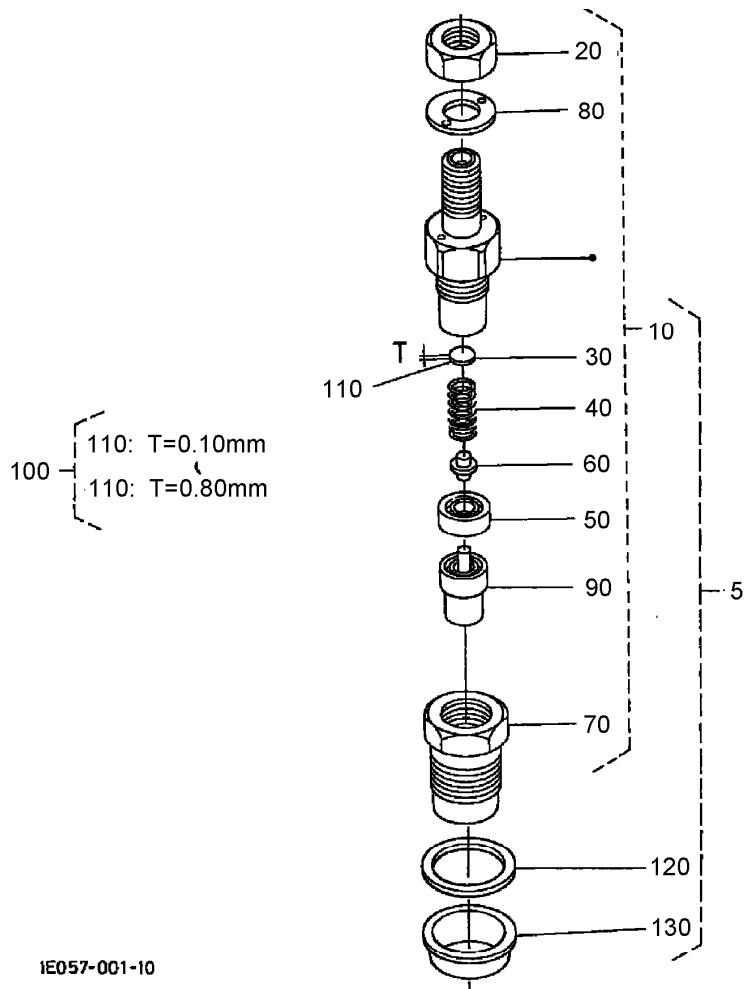
## Speed Control Plate Assembly

| Ref. | Part Number | Qty. | Description          |
|------|-------------|------|----------------------|
| 10   | 105-3735    | 1    | Control Plate ASM    |
| 20   | 98-9662     | 1    | Lever-Control, Speed |
| 30   | 98-9572     | 2    | Lever-Control, Speed |
| 40   | 105-3788    | 1    | O-Ring               |
| 50   | 98-7602     | 2    | Pin-Spring           |
| 60   | 98-9594     | 2    | Washer-Plain         |
| 70   | 98-9589     | 2    | Nut                  |
| 80   | 98-9658     | 1    | Governor Lever ASM   |
| 90   | 98-9663     | 1    | Lever-Stop, Engine   |
| 100  | 98-7601     | 1    | Seal-Oil             |
| 110  | 98-9472     | 1    | Spring-Return        |
| 120  | 98-9664     | 1    | Shaft-Lever, Stop    |
| 130  | 98-9637     | 1    | Gasket               |
| 140  | 98-7692     | 1    | Bolt                 |
| 150  | 99-8348     | 1    | Bolt                 |
| 160  | 98-7654     | 2    | Gasket               |
| 170  | 105-3710    | 2    | Stud                 |
| 180  | 98-7572     | 2    | Nut                  |
| 190  | 98-7699     | 2    | Washer-Spring        |



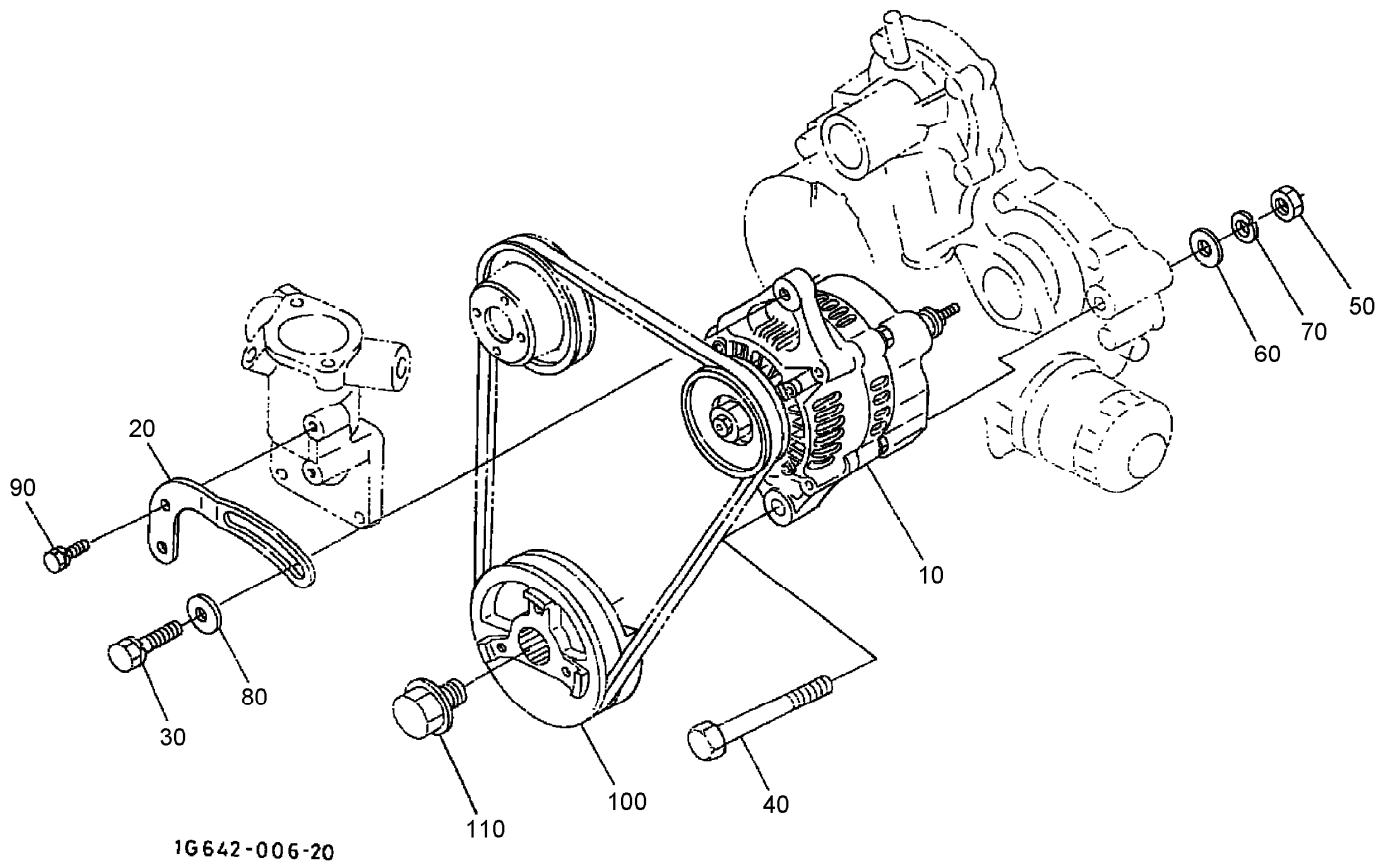
## Nozzle Holder and Glow Plug Assembly

| <i>Ref.</i> | <i>Part Number</i> | <i>Qty.</i> | <i>Description</i> |
|-------------|--------------------|-------------|--------------------|
| 10          | 98-9620            | 1           | Overflow Pipe ASM  |
| 20          | 98-9431            | 1           | Screw-Bleeder, Air |
| 30          | 98-7654            | 1           | Gasket             |
| 35          | 105-3740           | 3           | Nozzle Holder Kit  |
| 40          | 98-9468            | 3           | Nozzle Holder ASM  |
| 50          | 98-7676            | 3           | Gasket             |
| 60          | 98-7677            | 3           | Seal-Heat          |
| 80          | 98-9653            | 1           | Pipe-Injection     |
| 90          | 98-9654            | 1           | Pipe-Injection     |
| 100         | 98-9655            | 1           | Pipe-Injection     |
| 110         | 98-7682            | 2           | Clamp-Pipe         |
| 120         | 98-7683            | 2           | Clamp-Pipe         |
| 130         | 98-7684            | 2           | Screw (W/Washer)   |
| 140         | 98-9695            | 3           | Plug-Glow          |
| 150         | 98-9631            | 3           | Cord-Plug, Glow    |
| 160         | 99-8377            | 3           | Nut-Flange         |
| 180         | 98-9420            | 1           | Overflow Pipe ASM  |
| 190         | 98-7671            | 2           | Clip-Pipe          |



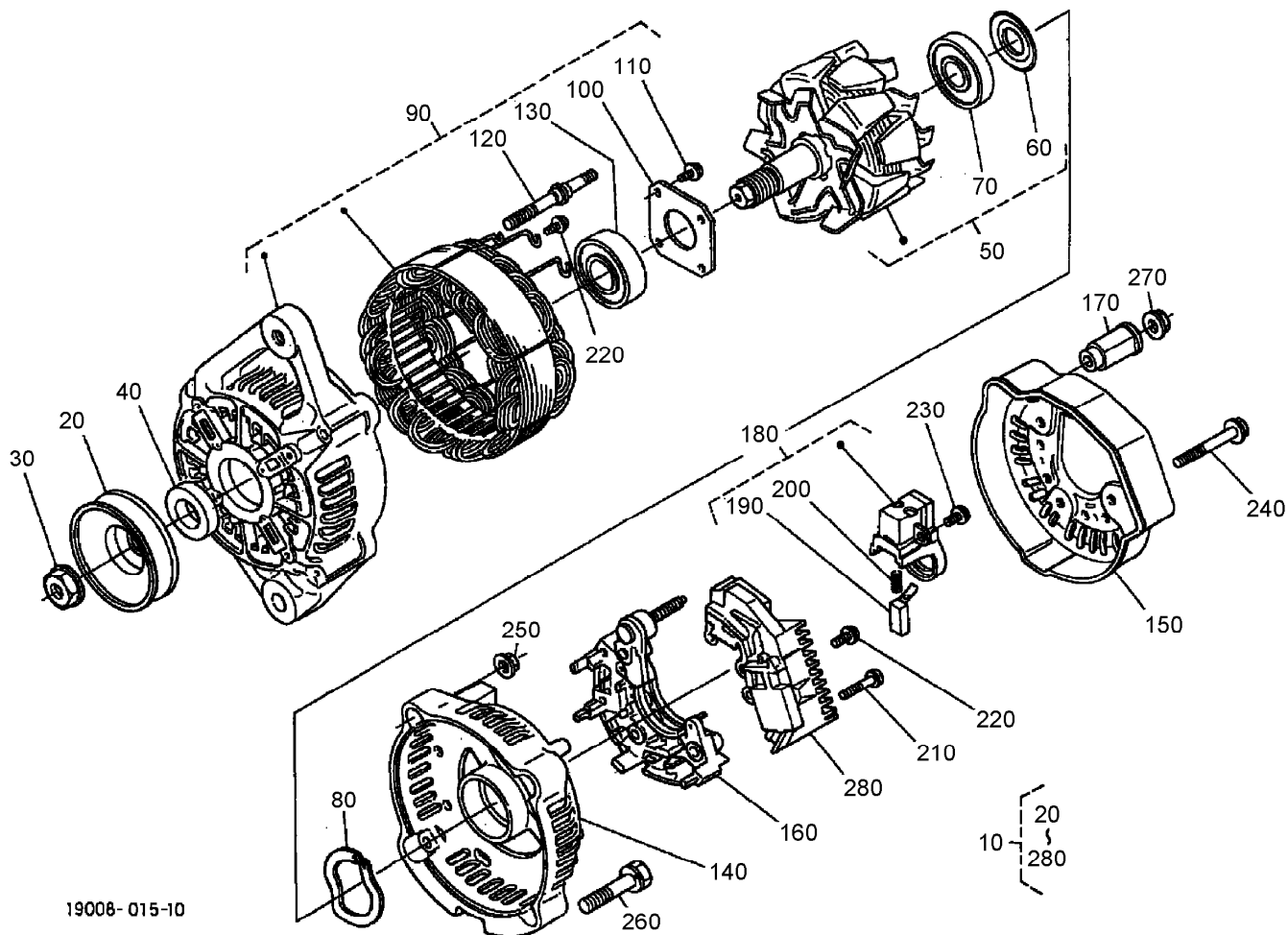
## Nozzle Holder (Component Parts) Assembly

| Ref. | Part Number | Qty. | Description            |
|------|-------------|------|------------------------|
| 5    | 105-3740    | 3    | Nozzle Holder Kit      |
| 10   | 98-9468     | 3    | Nozzle Holder ASM      |
| 20   | 99-8301     | 3    | Nut                    |
| 30   | 99-8302     | 3    | Washer-Adjusting       |
| 40   | 99-8303     | 3    | Spring-Nozzle          |
| 50   | 99-8304     | 3    | Spacer-Distance        |
| 60   | 99-8305     | 3    | Rod-Push               |
| 70   | 99-8306     | 3    | Nut-Nozzle             |
| 80   | 99-8307     | 3    | Washer-Plain           |
| 90   | 99-8308     | 3    | Piece-Nozzle           |
| 100  | 99-8309     | 3    | Adjusting Washer ASM   |
| 110  | 99-8310     | 3    | Washer-Adjust (0.10Mm) |
| 110  | 99-8311     | 3    | Washer-Adjust (0.20Mm) |
| 110  | 99-8312     | 3    | Washer-Adjust (0.30Mm) |
| 110  | 99-8313     | 3    | Washer-Adjust (0.40Mm) |
| 110  | 99-8314     | 3    | Washer-Adjust (0.50Mm) |
| 110  | 99-8315     | 3    | Washer-Adjust (0.52Mm) |
| 110  | 99-8316     | 3    | Washer-Adjust (0.54Mm) |
| 110  | 99-8317     | 3    | Washer-Adjust (0.56Mm) |
| 110  | 99-8318     | 3    | Washer-Adjust (0.58Mm) |
| 110  | 99-8319     | 3    | Washer-Adjust (0.80Mm) |
| 120  | 98-7676     | 3    | Gasket                 |
| 130  | 98-7677     | 3    | Seal-Heat              |



## Alternator and Pulley Assembly

| <i>Ref.</i> | <i>Part Number</i> | <i>Qty.</i> | <i>Description</i> |
|-------------|--------------------|-------------|--------------------|
| 10          | 98-9474            | 1           | Alternator ASM     |
| 20          | 98-9573            | 1           | Stay-Dynamo        |
| 30          | 98-7697            | 1           | Bolt               |
| 40          | 98-9360            | 1           | Bolt               |
| 50          | 98-7737            | 1           | Nut                |
| 60          | 3256-24            | 1           | Washer-Flat        |
| 70          | 98-7738            | 1           | Washer-Spring      |
| 80          | 100-9233           | 1           | Washer-Plain       |
| 90          | 98-7692            | 1           | Bolt               |
| 100         | 98-9473            | 1           | Pulley-Drive, Fan  |
| 110         | 98-9585            | 1           | Bolt               |

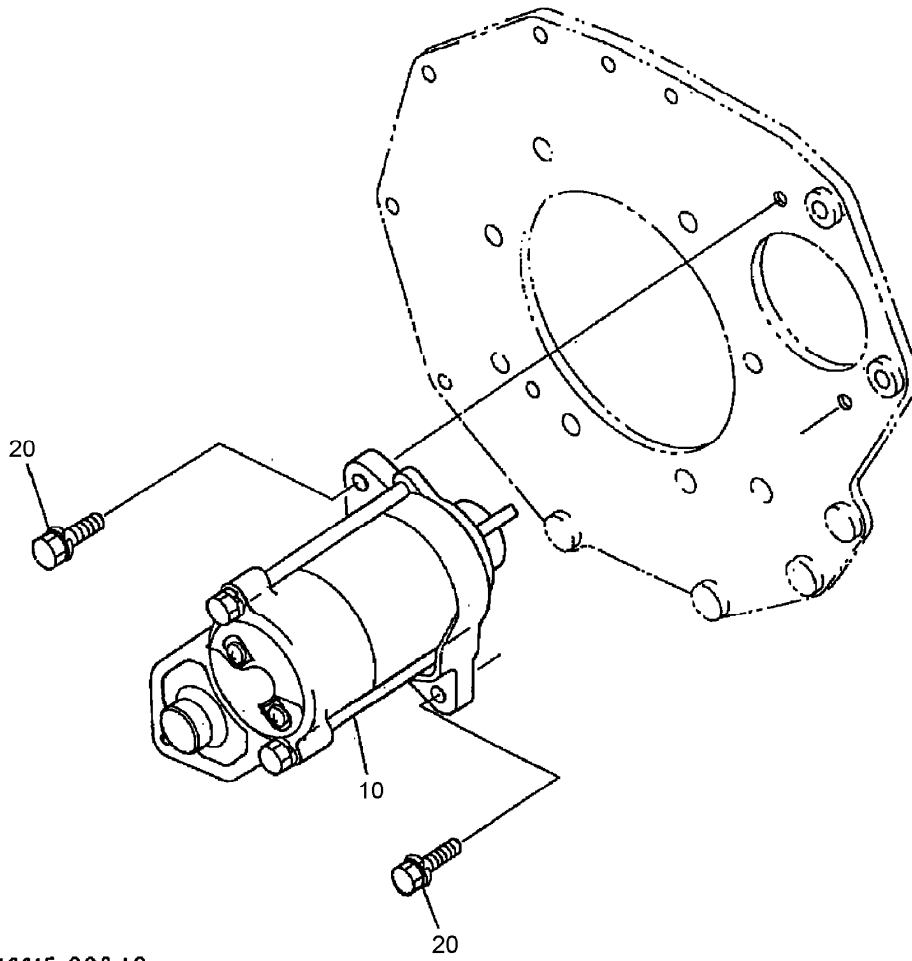


19008-015-10

## Alternator (Component Parts) Assembly

| Ref. | Part Number | Qty. | Description         |
|------|-------------|------|---------------------|
| 10   | 98-9474     | 1    | Alternator ASM      |
| 20   | 98-9453     | 1    | Pulley-Dynamo       |
| 30   | 98-7708     | 1    | Nut                 |
| 40   | 98-7709     | 1    | Collar              |
| 50   | 107-0136    | 1    | Rotor ASM           |
| 60   | 98-7711     | 1    | Cover-Bearing       |
| 70   | 107-0138    | 1    | Bearing-Ball        |
| 80   | 98-7713     | 1    | Washer-Thrust       |
| 90   | 107-0139    | 1    | Drive End Frame ASM |
| 100  | 98-7715     | 1    | Plate-Retainer      |
| 110  | 98-7716     | 4    | Screw-Head, Round   |
| 120  | 98-7717     | 2    | Bolt-Through        |
| 130  | 107-0137    | 1    | Bearing-Ball        |
| 140  | 107-9087    | 1    | Frame-End           |

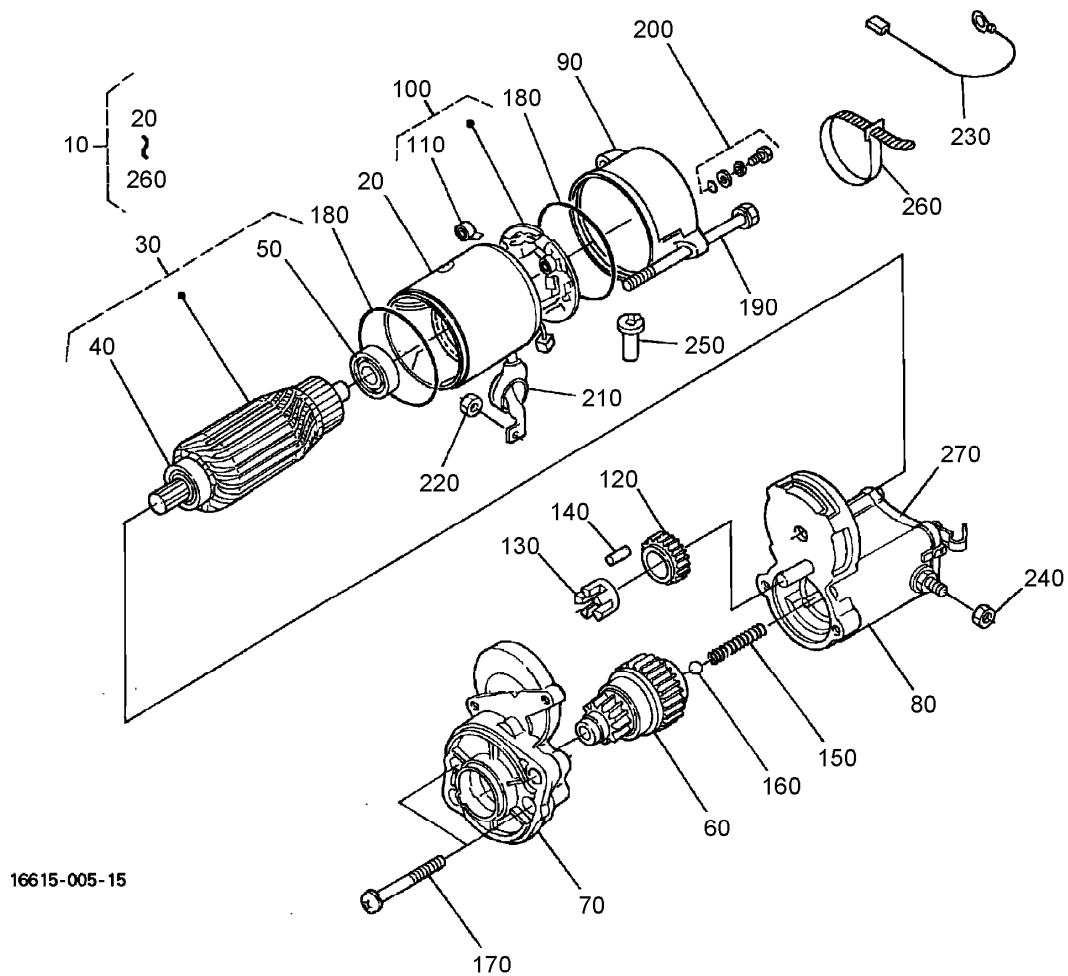
| Ref. | Part Number | Qty. | Description        |
|------|-------------|------|--------------------|
| 150  | 107-0140    | 1    | Cover-End          |
| 160  | 98-9476     | 1    | Rectifier ASM      |
| 170  | 98-7722     | 1    | Bushing-Insulation |
| 180  | 107-0141    | 1    | Brush Holder ASM   |
| 190  | 98-7724     | 2    | Brush              |
| 200  | 98-7725     | 2    | Spring-Brush       |
| 210  | 98-7726     | 2    | Screw-Head, Round  |
| 220  | 98-7727     | 6    | Screw-Head, Round  |
| 230  | 98-7728     | 1    | Screw-Head, Round  |
| 240  | 98-7729     | 3    | Bolt               |
| 250  | 98-7730     | 2    | Nut                |
| 260  | 98-7731     | 2    | Bolt               |
| 270  | 98-7732     | 1    | Nut                |
| 280  | 107-9088    | 1    | Regulator ASM      |



16615-008-10

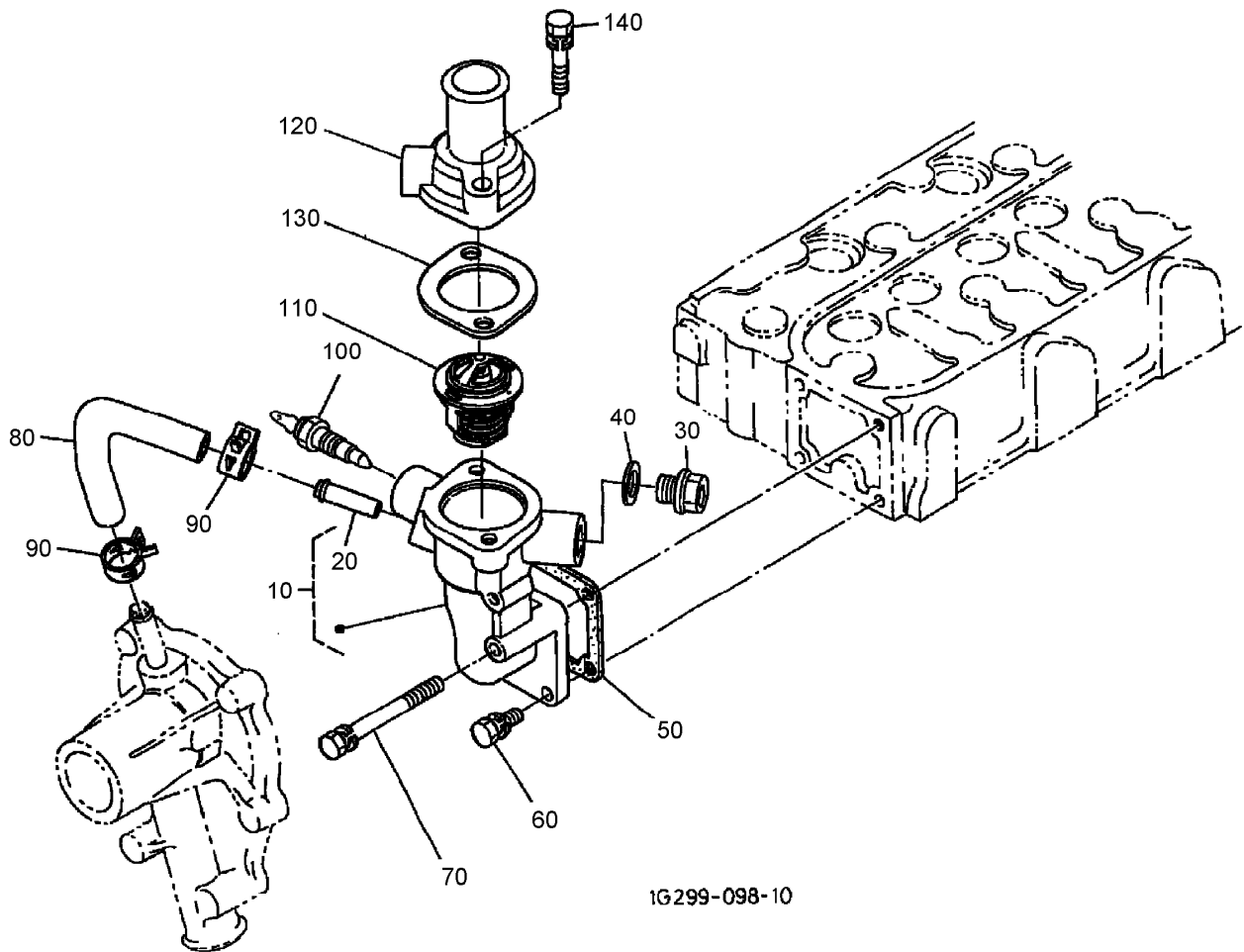
## Starter Assembly

| <i>Ref.</i> | <i>Part Number</i> | <i>Qty.</i> | <i>Description</i> |
|-------------|--------------------|-------------|--------------------|
| 10          | 98-9705            | 1           | Starter ASM        |
| 20          | 98-7697            | 2           | Bolt               |



## Starter (Component Parts) Assembly

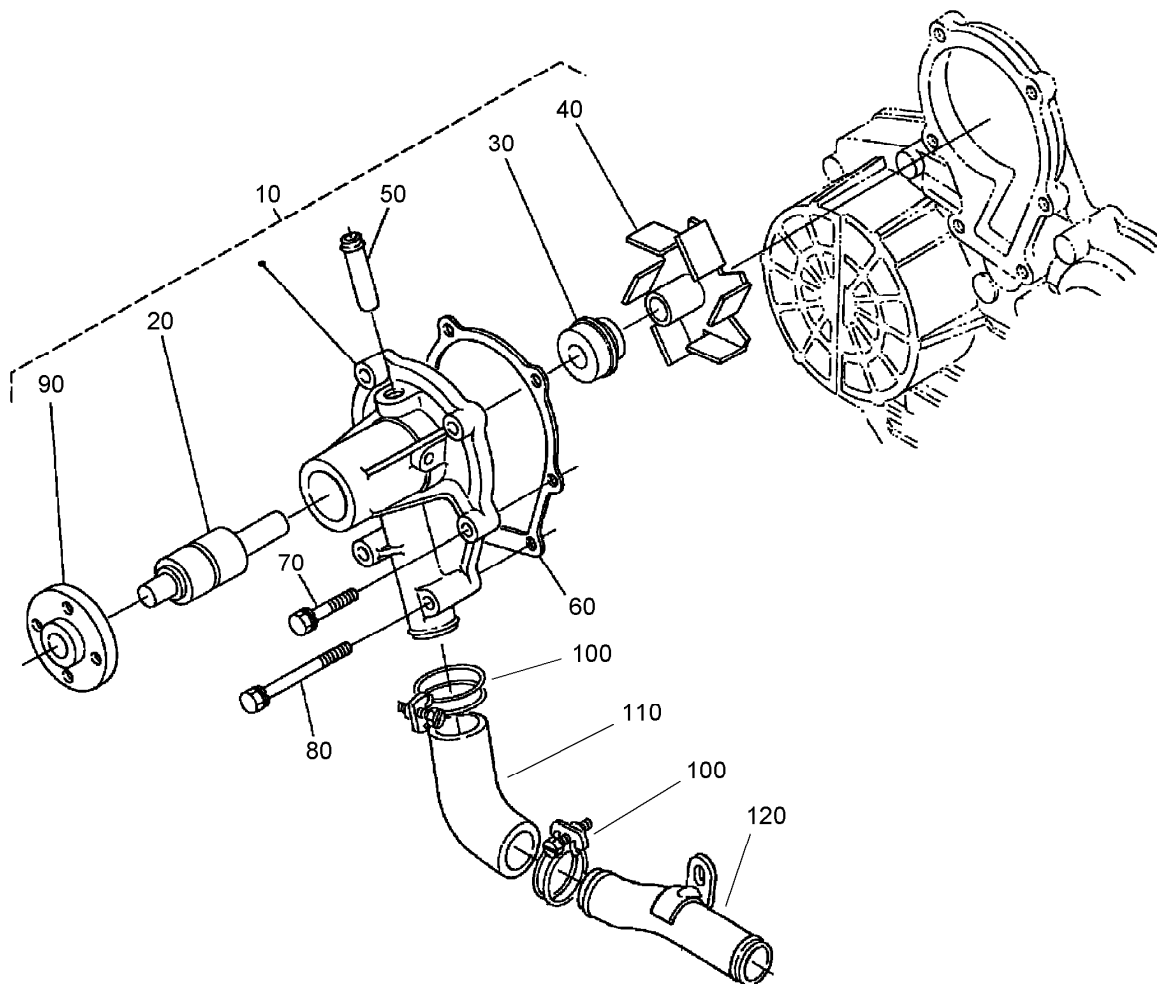
| <i>Ref.</i> | <i>Part Number</i> | <i>Qty.</i> | <i>Description</i>   | <i>Ref.</i> | <i>Part Number</i> | <i>Qty.</i> | <i>Description</i>  |
|-------------|--------------------|-------------|----------------------|-------------|--------------------|-------------|---------------------|
| 10          | 98-9705            | 1           | Starter ASM          | 150         | 98-7754            | 1           | Spring              |
| 20          | 104-8608           | 1           | Yoke ASM             | 160         | 98-7755            | 1           | Ball                |
| 30          | 98-7742            | 1           | Armature ASM         | 170         | 98-7756            | 2           | Bolt                |
| 40          | 98-7744            | 1           | Bearing              | 180         | 98-7757            | 2           | O-Ring              |
| 50          | 98-7743            | 1           | Bearing              | 190         | 100-9240           | 2           | Bolt                |
| 60          | 99-8373            | 1           | Clutch-Running, Over | 200         | 98-7758            | 2           | Bolt ASM            |
| 70          | 99-8374            | 1           | Frame-End, Drive     | 210         | 99-8375            | 1           | Cover               |
| 80          | 105-3746           | 1           | Magnetic Switch ASM  | 220         | 99-8371            | 1           | Nut-Hex             |
| 90          | 98-7748            | 1           | Frame-End            | 230         | 98-9711            | 1           | Cord-Solenoid, Stop |
| 100         | 98-7749            | 1           | Brush Holder ASM     | 240         | 99-8376            | 1           | Nut-Hex             |
| 110         | 98-7750            | 4           | Spring-Brush         | 250         | 98-7759            | 1           | Pipe-Drain          |
| 120         | 98-7751            | 1           | Gear                 | 260         | 98-9712            | 1           | Band-Cover          |
| 130         | 98-7752            | 1           | Retainer             | 270         | 105-2886           | 1           | Cover ASM           |
| 140         | 98-7753            | 5           | Roller               |             |                    |             |                     |



1G299-098-10

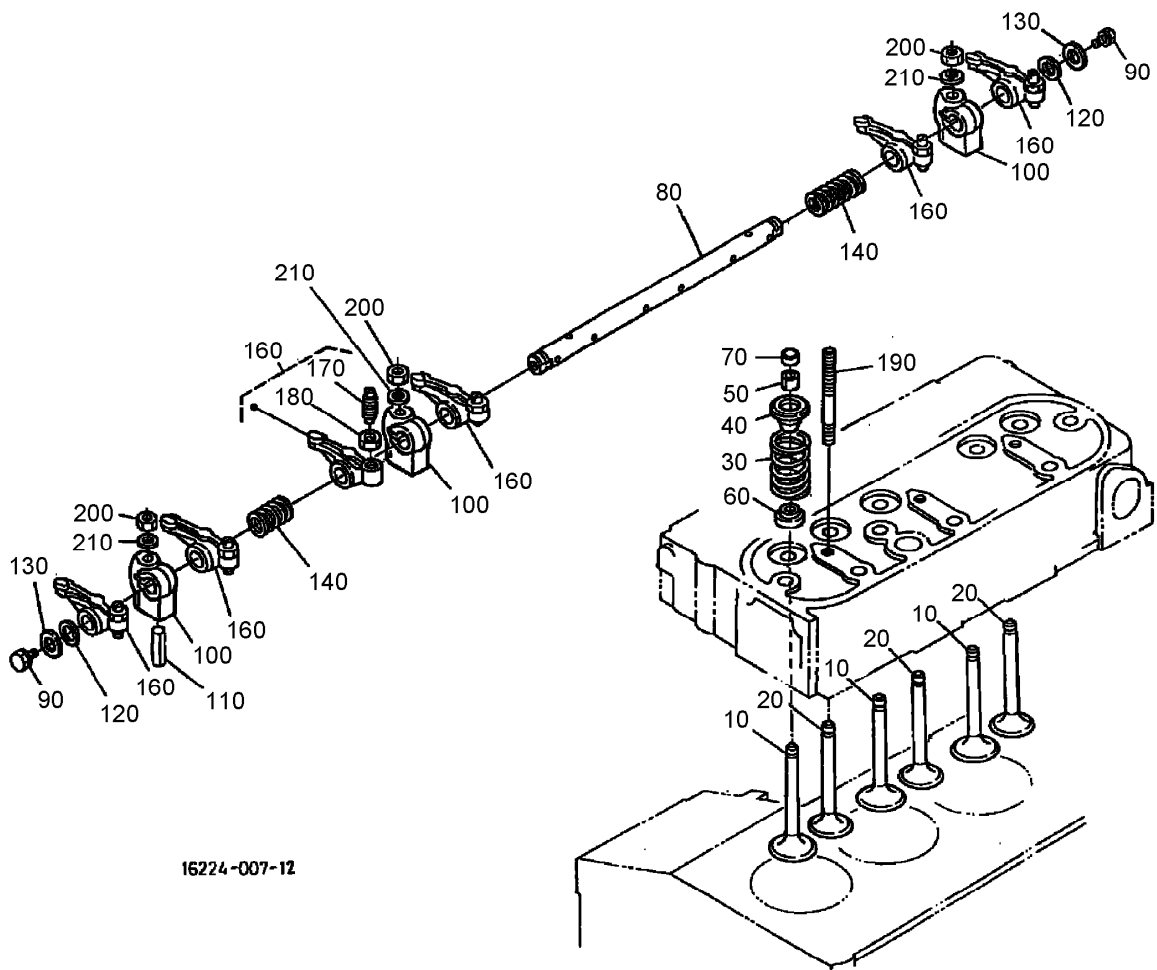
## Water Flange and Thermostat Assembly

| <i>Ref.</i> | <i>Part Number</i> | <i>Qty.</i> | <i>Description</i>   |
|-------------|--------------------|-------------|----------------------|
| 10          | 98-9713            | 1           | Water Flange ASM     |
| 20          | 98-9580            | 1           | Pipe-Return, Water   |
| 30          | 105-3747           | 1           | Plug                 |
| 40          | 99-3583            | 1           | Gasket               |
| 50          | 98-9638            | 1           | Gasket-Flange, Water |
| 60          | 98-7692            | 3           | Bolt                 |
| 70          | 98-9356            | 1           | Bolt                 |
| 80          | 98-9578            | 1           | Pipe-Return, Water   |
| 90          | 98-9579            | 2           | Band-Pipe            |
| 100         | 98-9719            | 1           | Thermoswitch         |
| 110         | 98-7778            | 1           | Thermostat ASM       |
| 120         | 98-9471            | 1           | Cover-Thermostat     |
| 130         | 105-3748           | 1           | Gasket-Thermostat    |
| 140         | 98-7777            | 2           | Bolt                 |



## Water Pump Assembly

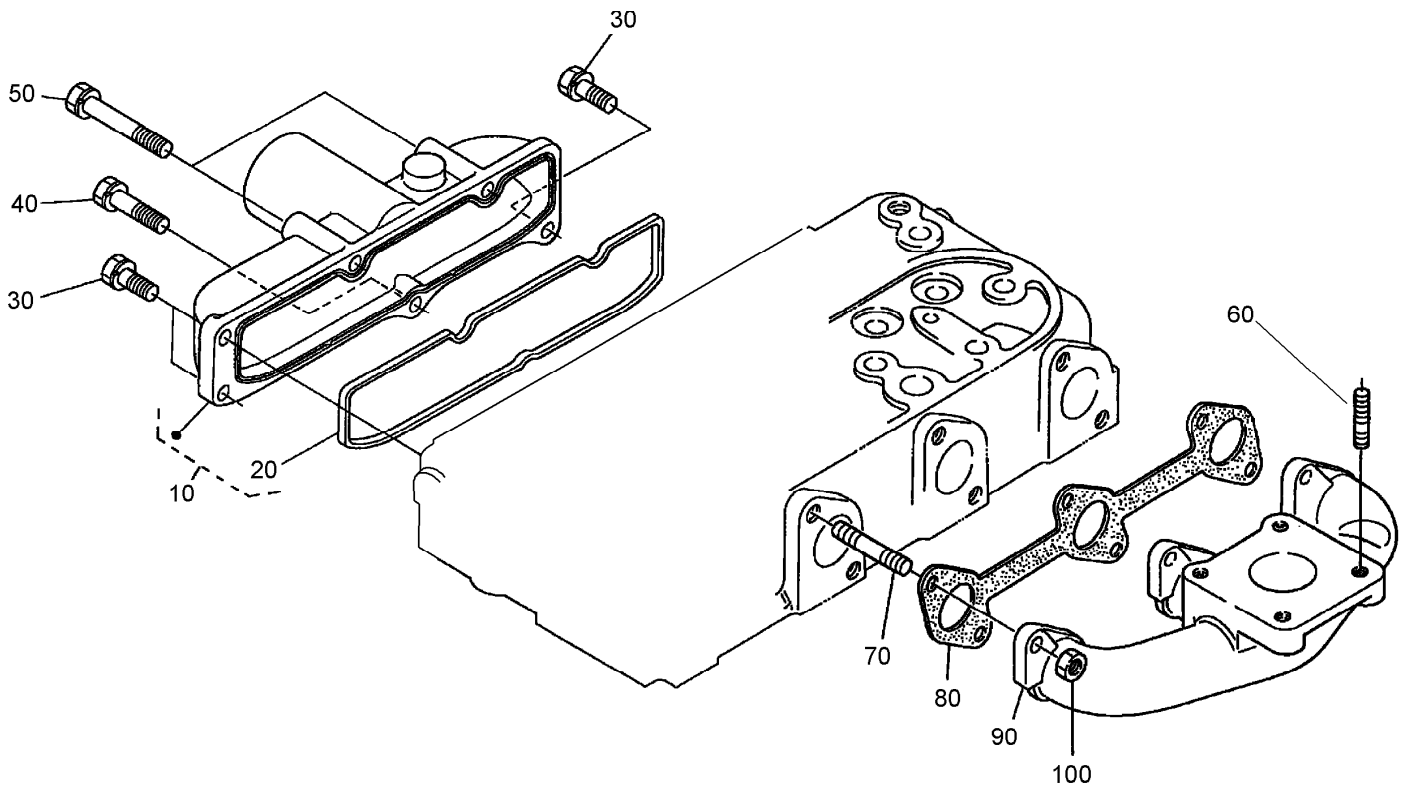
| <i>Ref.</i> | <i>Part Number</i> | <i>Qty.</i> | <i>Description</i>   |
|-------------|--------------------|-------------|----------------------|
| 10          | 107-9089           | 1           | Water Pump ASM       |
| 20          | 99-3517            | 1           | Bearing-Pump, Water  |
| 30          | 105-3750           | 1           | Mechanical Seal ASM  |
| 40          | 99-3519            | 1           | Impeller-Pump, Water |
| 50          | 98-9577            | 1           | Pipe-Return, Water   |
| 60          | 99-3454            | 1           | Gasket-Pump, Water   |
| 70          | 98-9353            | 4           | Bolt                 |
| 80          | 107-9090           | 2           | Bolt                 |
| 90          | 99-3516            | 4           | Flange-Pump, Water   |
| 100         | 98-9717            | 2           | Clamp                |
| 110         | 107-9091           | 1           | Pipe-Water           |
| 120         | 98-9716            | 1           | Pipe-Water           |



16224-007-12

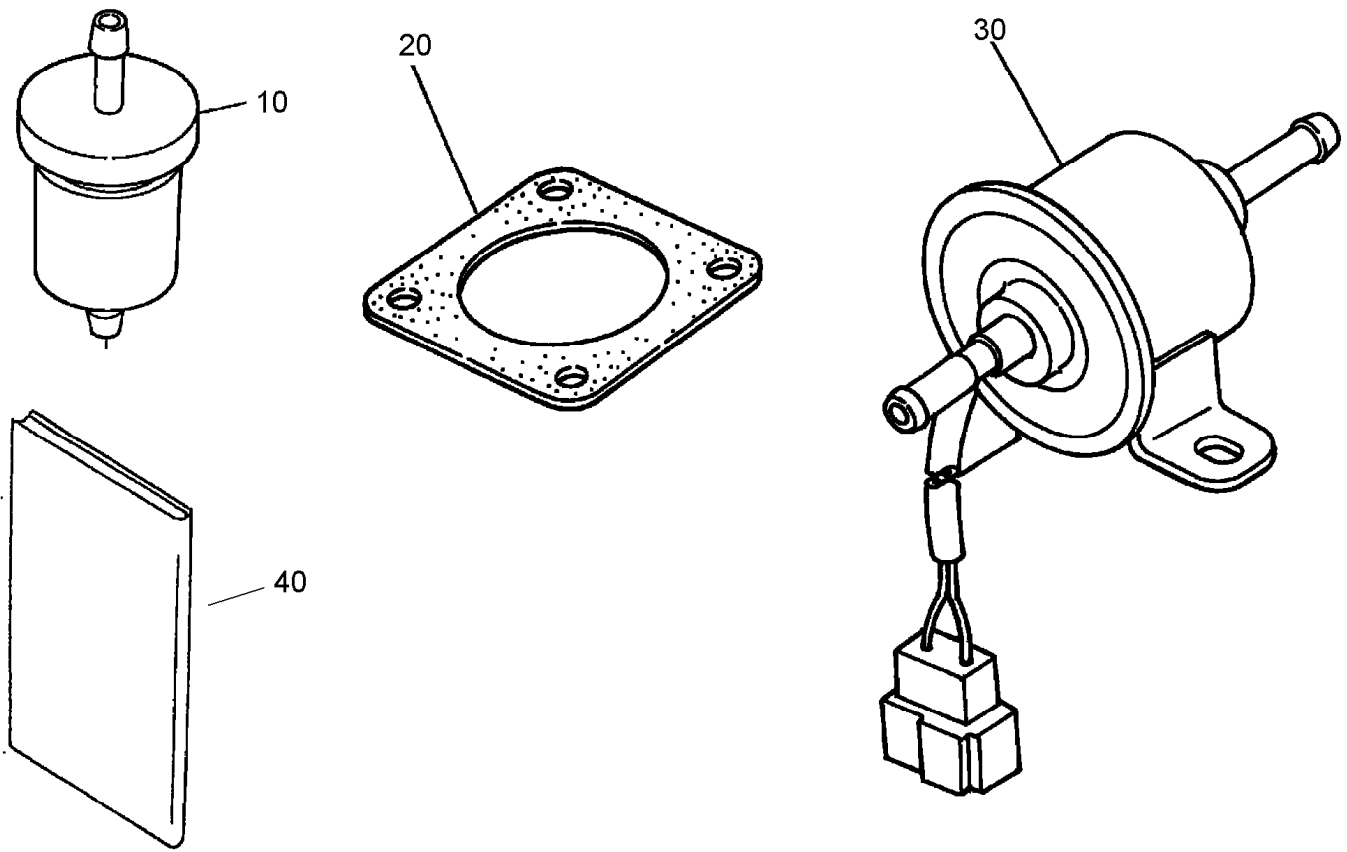
## Valve and Rocker Arm Assembly

| <i>Ref.</i> | <i>Part Number</i> | <i>Qty.</i> | <i>Description</i>   |
|-------------|--------------------|-------------|----------------------|
| 10          | 98-9494            | 3           | Valve-Inlet          |
| 20          | 98-9495            | 3           | Valve-Exhaust        |
| 30          | 98-9648            | 6           | Spring-Valve         |
| 40          | 107-9092           | 6           | Retainer-Spring      |
| 50          | 98-9390            | 6           | Collet-Spring, Valve |
| 60          | 99-8385            | 6           | Seal-Stem, Valve     |
| 70          | 98-9497            | 6           | Cap-Valve            |
| 80          | 105-3790           | 1           | R-Arm Shaft ASM      |
| 90          | 100-9265           | 2           | Bolt                 |
| 100         | 98-9505            | 3           | Bracket-Arm, Rocker  |
| 110         | 105-3758           | 1           | Pin-Spring           |
| 120         | 98-9507            | 2           | Washer-Shaft, R-Arm  |
| 130         | 3256-1             | 2           | Washer-Flat          |
| 140         | 98-9504            | 2           | Spring-Arm, Rocker   |
| 160         | 98-9501            | 6           | Rocker Arm ASM       |
| 170         | 98-9502            | 6           | Screw-Adjusting      |
| 180         | 98-9503            | 6           | Nut                  |
| 190         | 98-9506            | 3           | Stud                 |
| 200         | 98-9393            | 3           | Nut                  |
| 210         | 98-9385            | 3           | Washer-Flat          |



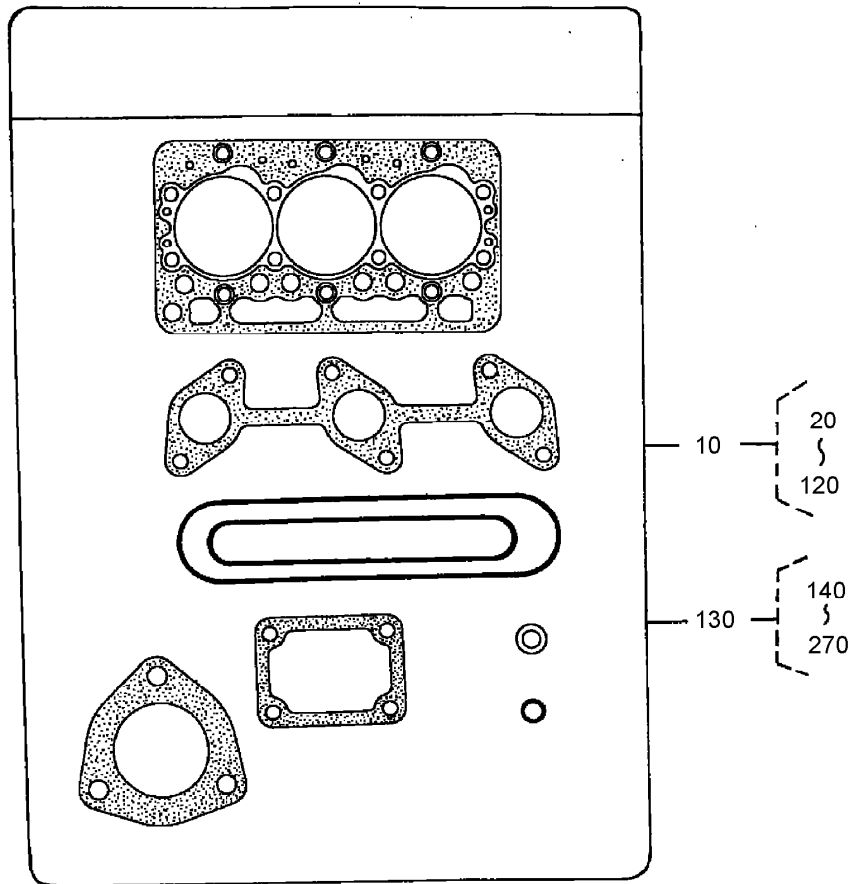
## Inlet Manifold Assembly

| <i>Ref.</i> | <i>Part Number</i> | <i>Qty.</i> | <i>Description</i>     |
|-------------|--------------------|-------------|------------------------|
| 10          | 105-3791           | 1           | Inlet Manifold ASM     |
| 20          | 98-9609            | 1           | Gasket-Manifold, Inlet |
| 30          | 98-7605            | 3           | Bolt                   |
| 40          | 98-9353            | 1           | Bolt                   |
| 50          | 105-3797           | 2           | Bolt                   |
| 60          | 98-7769            | 4           | Stud                   |
| 70          | 98-9588            | 6           | Stud                   |
| 80          | 98-9610            | 1           | Gasket                 |
| 90          | 107-9093           | 1           | Manifold-Exhaust       |
| 100         | 98-9665            | 6           | Nut                    |



## Fuel Filter and Pump, Muffler Gasket and Operator Manual

| <i>Ref.</i> | <i>Part Number</i> | <i>Qty.</i> | <i>Description</i>  |
|-------------|--------------------|-------------|---------------------|
| 10          | 98-7612            | 1           | Filter-Fuel         |
| 20          | 99-8343            | 1           | Gasket-Muffler      |
| 30          | 107-0122           | 1           | Pump-Fuel, Electric |
| 40          | 99-8954            | 1           | Manual-Kubota       |



19449-018-10

## Gasket Kit

| <i>Ref.</i> | <i>Part Number</i> | <i>Qty.</i> | <i>Description</i> |
|-------------|--------------------|-------------|--------------------|
| 10          | 107-9094           | 1           | Upper Gasket Kit   |
| 130         | 107-9095           | 1           | Lower Gasket Kit   |



**Count on it.**