



Count on it.

Parts Catalog

**LT3340 Heavy-Duty Triple Turf
Mower Traction Unit**

Model No. 30657—Serial No. 311000001 and Up



Ordering Replacement Parts

To order replacement parts, please supply the part number, the quantity, and the description of each part desired.

Understanding Reference Numbers

Each identified part in an illustration has a reference number. The reference number for a part also appears in the parts list, along with other information about the part.

This catalog uses two special reference number formats, one to indicate parts in a service assembly and another to indicate the quantity of a given part in an illustration.

Service Assembly Reference Numbers

Parts in service assemblies have reference numbers in the form a:b. The a represents the reference number of the entire service assembly and the b represents a sequential number unique to each part within the service assembly.

For example, a wheel assembly might be identified by reference number 6, the tire by 6:1, the valve by 6:2, and the wheel by 6:3. When you order the assembly identified by reference number 6, you receive all parts identified by reference numbers 6:1, 6:2, and 6:3. However, you may also order any part individually. Reference numbers of this type appear in illustration and in parts lists.

Reference Numbers Indicating Quantity

In an illustration, if a reference number indicates more than one part, the reference number has the form nX y. The n represents the quantity of the part, the X is the multiplication symbol, and the y represents the reference number.

For example, in an illustration, the reference number 2X 37 means that two of the parts identified by reference number 37 are indicated.

List of Abbreviations

AR: as required

ASM: assembly

BBC: blade brake control

BHTF: button head thread forming

CARR: carriage

CCW: counter clockwise

CW: clockwise

DEG: degrees

DPA: Dual Point Adjustment

ECM: electronic control module

EXT: external

FH: flat head

GA: gauge

HD: heavy-duty

HF: hex flange

HH: hex head

HHF: hex head flange

HHFTF: hex head flange thread forming

HJ: hex jam

HLH: hex lag head

HOC: height-of-cut

HP: high pressure

HSBH: hex socket button head

HSFH: hex socket flat head

HSH: hex socket head

HWH: hex washer head

HWHTF: hex washer head thread forming

HYD: hydraulic

LH: left hand

LP: low pressure

LPG: Liquefied Petroleum Gas

NI: nylon insert

NPTF: national pipe thread fine

PFH: phillips flat head

PPH: phillips pan head

PPHTF: phillips pan head thread forming

PRH: phillips round head

PTH: phillips truss head

PTO: power-take-off

RH: right hand

ROPS: roll-over protection system

RRB: rear roller brush

SFH: slotted fillister head

SHH: slotted hex head

SHWH: slotted hex washer head

SPH: slotted pan head

SQH: square head

SRH: slotted round head

STD: standard

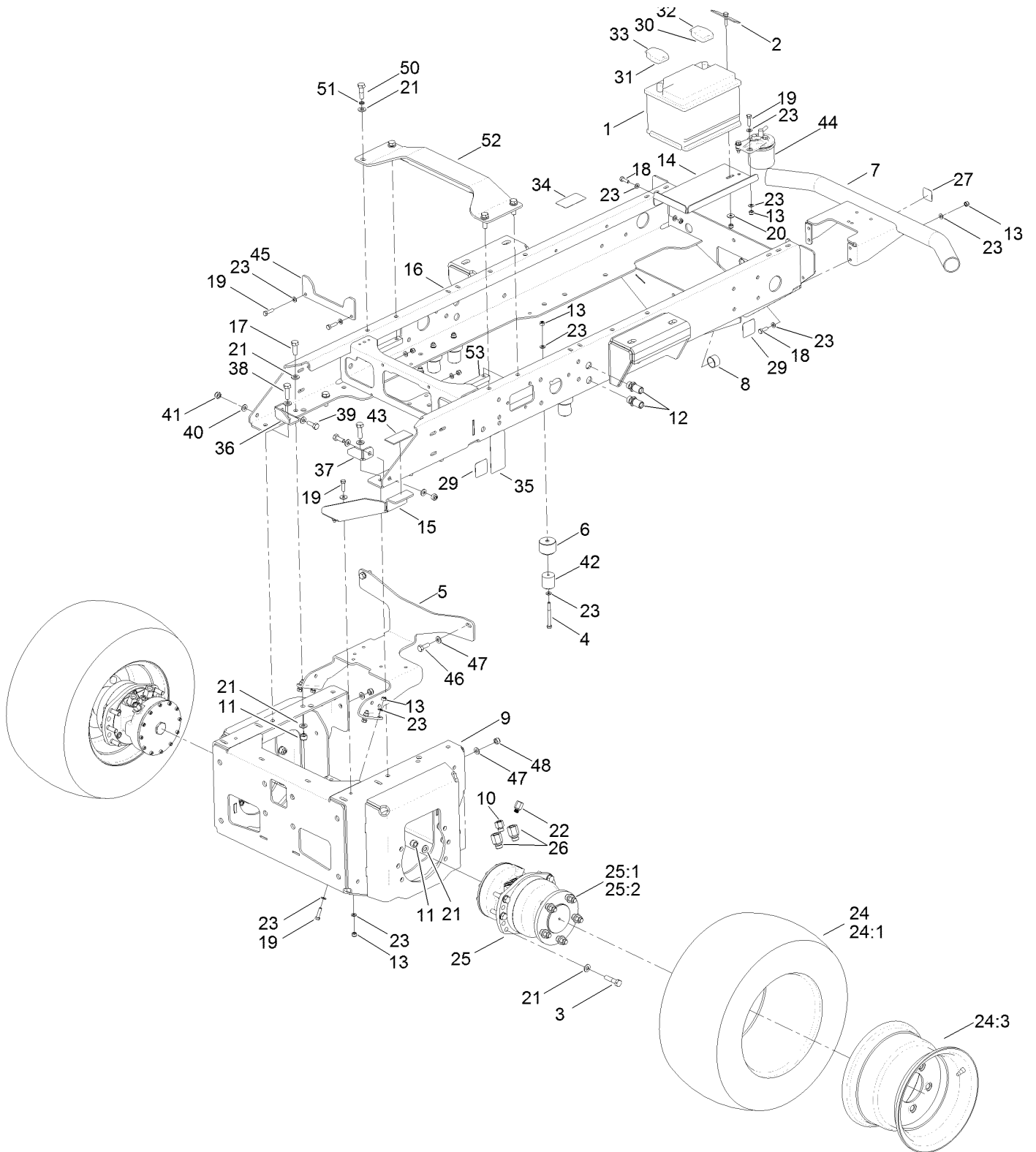
TAP: self tapping

TTH: torx truss head

Contents

Main Frame, Front Wheel and Battery Assembly	4
Radiator and Shroud Assembly	6
Rear Axle Assembly	8
Steering Column, Seat and Platform Assembly	10
Pedal Control Assembly	12
Fuel Tank and Storage Pod Assembly	14
Front Lift Arm Assembly	16
Center Arm Assembly	18
Roll-Over Protection System Assembly	20
Hydraulic Oil Tank Assembly	22
Lift Manifold Assembly	23
Transmission and Tandem Pump Assembly	24
Transmission Hydraulic Circuit Assembly	26
Transmission Manifold Assembly	28
Hydraulic Circuit Assembly	30
Hood Assembly	32
Rear Transmission Block Assembly	33
Control Panel Assembly	34
Filter Assembly	36
Loom Kit	38
Cutter Component Assembly	40
Cutter Control Manifold	42
Engine and Mounting Assembly	44
Electrical Assembly	46
Lift / Steer Hydraulic Circuit Assembly	47
Center Flap Kit	48
Crankcase Assembly	49
Oil Pan and Oil Pump Assembly	50
Cylinder Head Assembly	51
Gear Case and Oil Filter Cartridge Assembly	52
Cylinder Head Cover Assembly	53
Dipstick and Guide Assembly	54
Main Bearing Case Assembly	55
Camshaft and Idle Gear Shaft Assembly	56
Piston and Crankshaft Assembly	57
Flywheel Assembly	58
Fuel Camshaft and Governor Shaft Assembly	59
Idle Apparatus and Stop Solenoid Assembly	60
Injection Pump and Fuel Pump Assembly	61
Speed Control Plate Assembly	62
Nozzle Holder and Glow Plug Assembly	63
Nozzle Holder Assembly	64
Governor Assembly	65
Fuel Filter Assembly	66
Alternator and Pulley Assembly	67
Alternator Components Assembly	68
Starter Assembly	69
Starter (Component Part) Assembly	70
Water Flange and Thermostat Assembly	71
Water Pump Assembly	72
Valve and Rocker Arm Assembly	73
Intake and Exhaust Manifold Assembly	74
Miscellaneous Engine Parts	75
Attachments and Accessories	76

Main Frame, Front Wheel and Battery Assembly

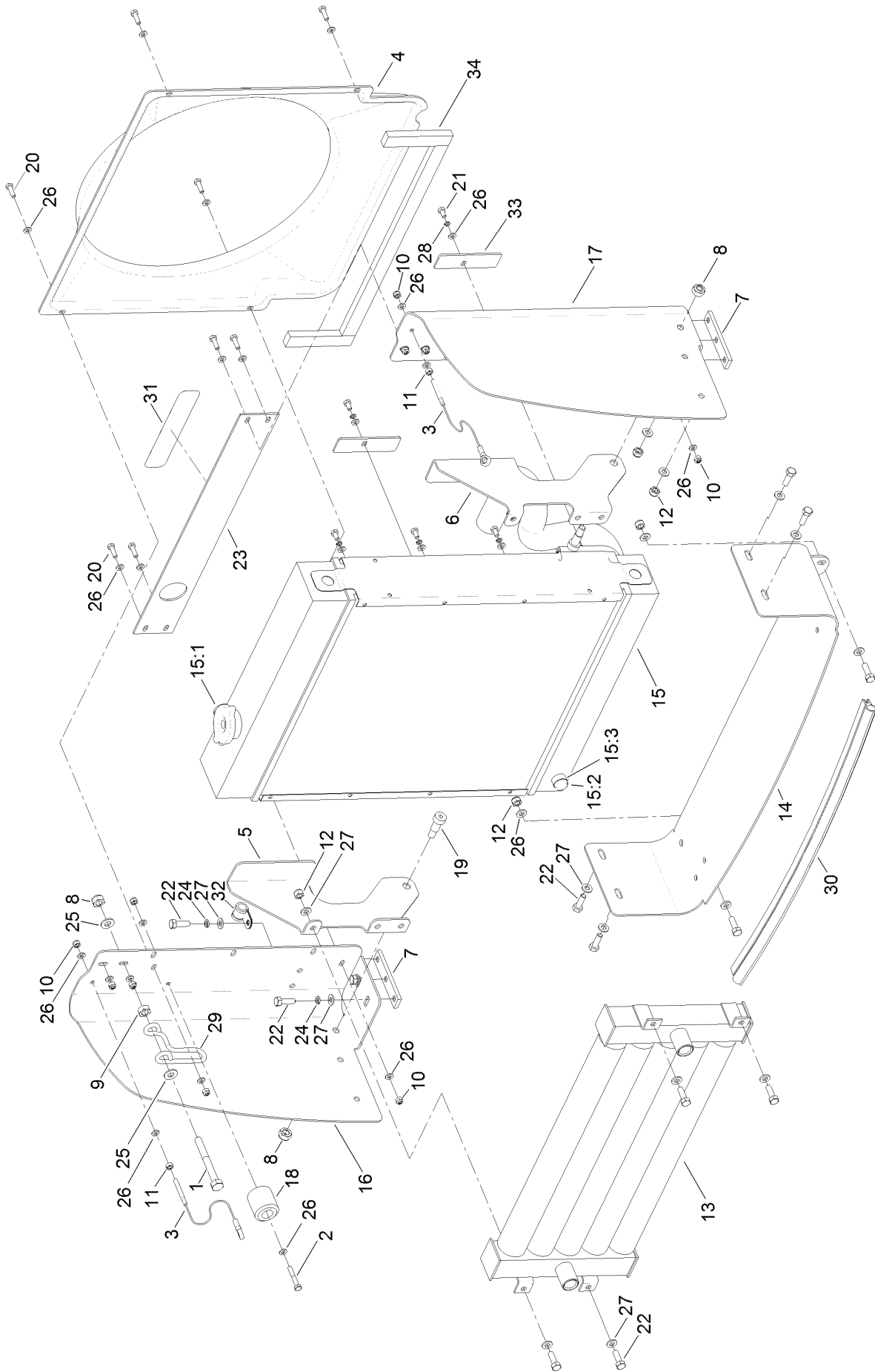


Main Frame, Front Wheel and Battery Assembly (continued)

<i>Ref.</i>	<i>Part Number</i>	<i>Qty.</i>	<i>Description</i>	<i>Ref.</i>	<i>Part Number</i>	<i>Qty.</i>	<i>Description</i>
1	70-09-015	1	Battery	25:1	111-7059	5	Stud-Wheel
2	70-01-340	1	Retainer-Battery	25:2	74-07-016	5	Nut
3	09552	12	Screw-HH	26	111-3529	4	Adaptor
4	ZBH1H080U	4	Bolt	27	70-13-072	1	Decal-Jacking Point
5	111-6791-03	1	Bracket-Manifold, Cutter	29	950832	4	Decal-Tyre Pressures
6	111-5305	4	Bump-Stop	30	70-09-171	1	Terminal-Positive
7	111-3110-03	1	Bumper-Rear	31	70-09-172	1	Terminal-Negative
8	65-07-051	2	Bushing	32	111-3690	1	Cable-Battery, Positive
9	111-2105-03	1	Chassis-Front	33	70-09-170	1	Cable-Battery, Negative
10	111-3509	2	Adaptor	34	950889	1	Decal-Warning, Hot Surface
11	ZNN1L000U	18	Nut-Nyloc	35	111-3901	1	Decal-Transmission, Oil
12	09-06-216	2	Adaptor-Bulkhead	36	111-5161-03	1	Gusset-Chassis, RH
13	09441	21	Nut-Hex, NI	37	111-5162-03	1	Gusset-Chassis, LH
14	111-2599-03	1	Plate-Mount, Battery	38	ZDH1L040U	2	Screw-HH
15	111-3217-03	1	Support-Platform, Front (LH)	39	09392	2	Screw-HH
16	111-2100-03	1	Chassis-Rear	40	ZWQ1J000U	4	Washer-Plain
17	ZDH1L035U	4	Screw-HH	41	ZNN1J000U	2	Nut-Hex, NI
18	03162	6	Screw-HH	42	61-07-003	4	Buffer-Rubber
19	09369	10	Screw-HH	43	HY910808	1	Strip-Neoprene
20	09267	3	Washer	44	15291-43010	1	Fuel-Filter
21	HY09485	40	Washer-Plain	45	111-5538-03	1	Location-Plate
22	111-3538	2	Adaptor	46	09392	2	Screw-HH
23	ZWP1H000U	36	Washer-Plain	47	09479	4	Washer
24	74-01-274	2	Wheel Front ASM	48	ZNN1J000U	2	Nut-Hex, NI
24:1	74-07-004	1	Rim-Wheel	50	63-11-010	4	Bolt-HH
24:2	74-07-012	1	Tube-Inner ●	51	09599	4	Washer-Spring
24:3	74-07-027	1	Tire	52	111-7065-03	1	Brace
25	111-2557	2	HYD Motor ASM	53	111-7094	2	Nut Strip-Chassis Brace

● Not illustrated

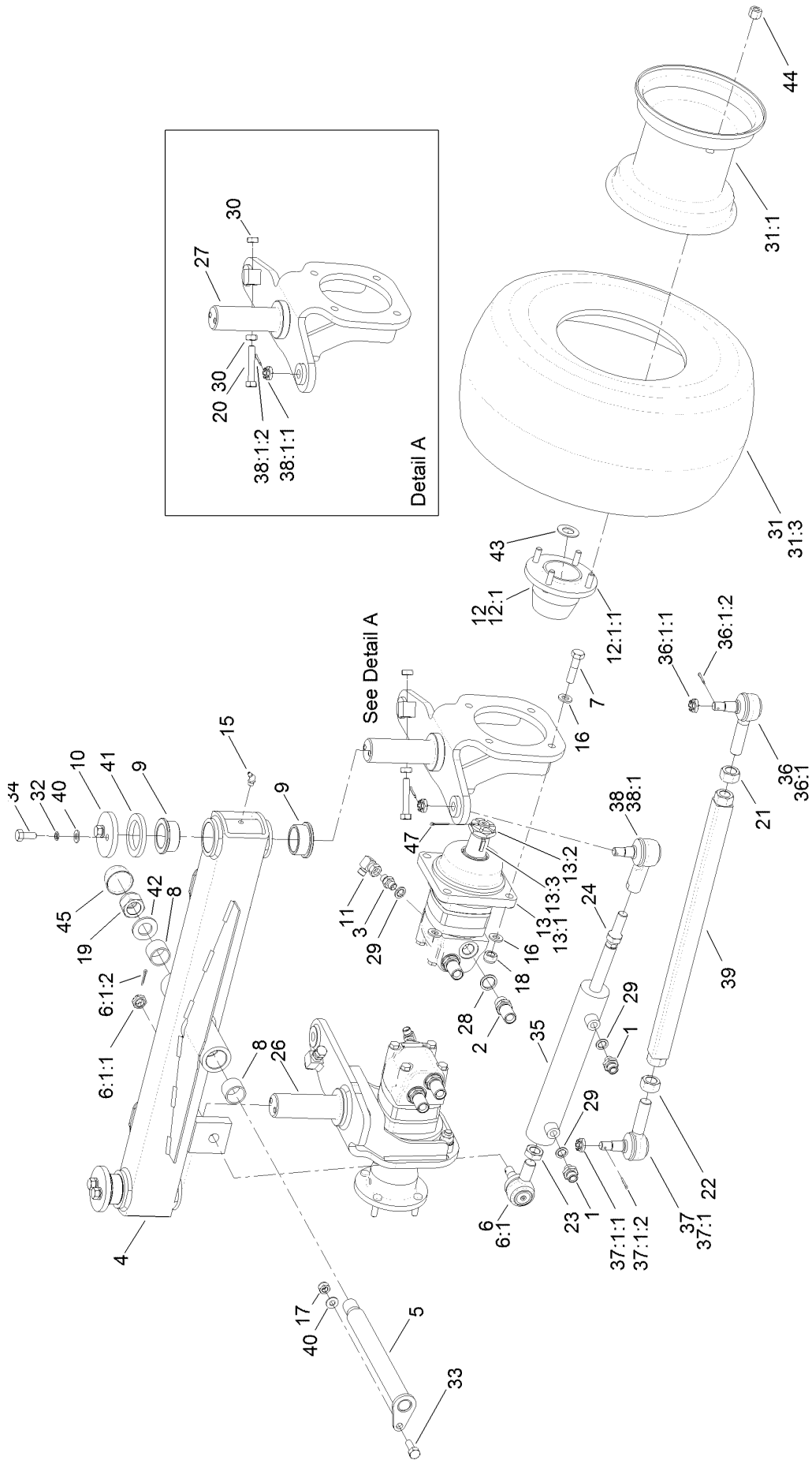
Radiator and Shroud Assembly



Radiator and Shroud Assembly (continued)

<i>Ref.</i>	<i>Part Number</i>	<i>Qty.</i>	<i>Description</i>	<i>Ref.</i>	<i>Part Number</i>	<i>Qty.</i>	<i>Description</i>
1	ZBH1J090U	1	Screw-HH	17	111-3007-03	1	Bracket-Radiator, RH
2	ZBH1F040U	2	Screw-HH	18	61-07-003	2	Buffer-Rubber
3	924825	2	Cable-Stay, Cover	19	ZIS1J020S	2	Bolt-Shoulder, Socket Head
4	111-3301	1	Cowl-Fan	20	09363	8	Screw-HH
5	111-3010-03	1	Hinge-Oil Cooler, LH	21	09361	8	Screw-HH
6	111-3011-03	1	Hinge-Oil Cooler, RH	22	03162	16	Screw-HH
7	111-3281	2	Bar-Nut	23	111-3008-03	1	Seal-Top
8	ZNN1J000U	3	Nut-Hex, NI	24	03469	6	Washer-Spring
9	09449	1	Nut	25	ZWQ1J000U	2	Washer-Plain
10	09438	12	Nut-Nyloc	26	09472	32	Washer-Plain
11	09437	2	Nut	27	ZWP1H000U	24	Washer-Plain
12	09441	10	Nut-Hex, NI	28	09474	8	Washer-Spring
13	70-06-171	1	Cooler-Oil	29	104-5429	1	Clamp-Form, Wire
14	111-3009-03	1	Plate-Seal, Lower	30	994808	3	Excluder-Draught
15	111-5193	1	Radiator ASM	31	111-3902	1	Decal-Engine, Fan/Radiator
15:1	70-07-138	1	Cap-Radiator	32	111-6082	1	Clamp-Cable
15:2	30-06-200	1	Plug-HYD	33	111-6922-03	2	Bracket-Cowl, Seal
15:3	200134	1	Washer	34	305119	3	Seal-Sponge
16	111-3006-03	1	Bracket-Radiator, LH				

Rear Axle Assembly



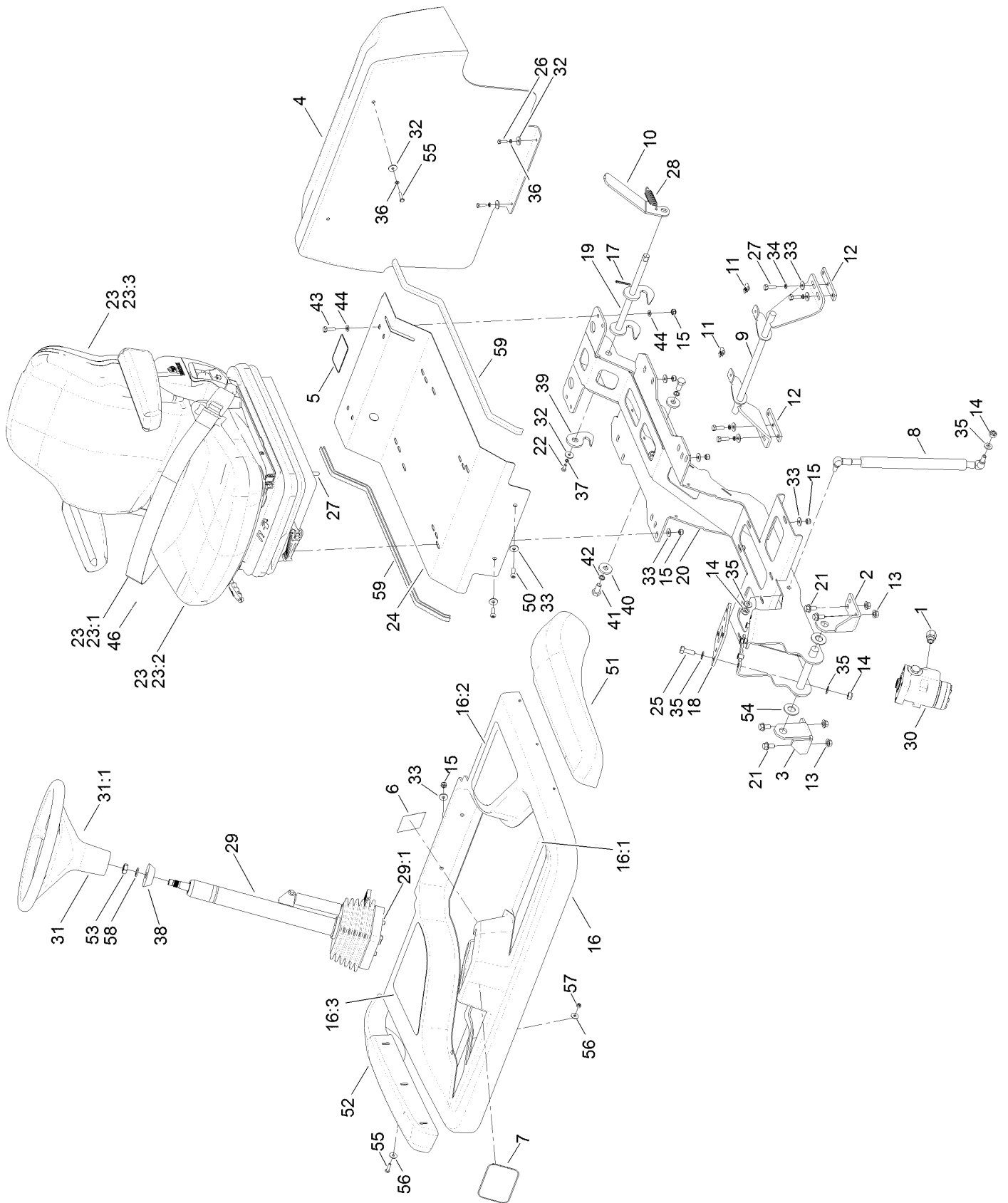
Rear Axle Assembly (continued)

<i>Ref.</i>	<i>Part Number</i>	<i>Qty.</i>	<i>Description</i>	<i>Ref.</i>	<i>Part Number</i>	<i>Qty.</i>	<i>Description</i>
1	50-06-009	2	Adaptor-Bsp	28	10-06-032	4	Seal-Dowty
2	09-06-216	4	Adaptor-Bulkhead	29	10-06-030	4	Seal-Dowty
3	10-06-085	2	Adaptor	30	09449	4	Nut
4	111-4995-03	1	Axle-Rear	31	924050	2	Wheel-Rear
5	111-3265	1	Pin-Axle	31:1	65-07-025	1	Rim-Wheel
6	111-6578-03	1	Joint-Ball	31:2	72-07-068	1	Tube-Inner ●
6:1		1	Ball Joint ■	31:3	924803	1	Tire
6:1:1	111-5116	1	Nut-Castle	32	09480	4	Washer-Spring
6:1:2	09306	1	Pin-Split	33	09392	1	Screw-HH
7	09552	8	Screw-HH	34	09395	4	Screw-HH
8	70-05-031	2	Bushing	35	924724	1	HYD Steering Cylinder ASM
9	111-3681	4	Bushing-Flanged, Oilite	35:1	111-4872	1	Seal Kit ●
10	70-01-197	2	Cap-Washer	36	111-6065-03	1	Rod End-Track, RH
11	31-06-004	2	Elbow-Compact	36:1		1	Rod End-RH ■
12	111-5176-03	2	Wheel Hub ASM	36:1:1	111-5116	1	Nut-Castle
12:1		1	Hub-Wheel ■	36:1:2	09306	1	Pin-Split
12:1:1	65-07-019	4	Stud-Wheel	37	111-6066-03	1	Rod End-Track, LH
13	111-2260	2	HYD Motor ASM	37:1		1	Rod End-LH ■
13:1	111-3421	1	Seal Kit	37:1:1	111-5116	1	Nut-Castle
13:2	70-06-081	1	Castle-Nut	37:1:2	09306	1	Pin-Split
13:3	70-06-089	1	Key	38	111-5087-03	1	Joint-Ball, Steering Cylinder Rod
15	63-07-027	3	Zerk-Grease, Bsp (90 DEG)	38:1		1	Joint-Ball ■
16	HY09485	16	Washer-Plain	38:1:1	111-5116	1	Nut-Castle
17	ZNN1J000U	1	Nut-Hex, NI	38:1:2	09306	1	Pin-Split
18	09650	8	Nut-Hex, Nyloc	39	111-2560-03	1	Rod-Track
19	ZNN1X000U	1	Nut-Hex, Nyloc	40	ZWQ1J000U	5	Washer-Plain
20	ZDH1J060U	2	Setscrew-HH	41	70-07-149	2	Washer-Felt
21	70-11-002	1	Nut	42	09555	1	Washer
22	70-11-001	1	Nut	43	ZWP1T000U	2	Washer-Plain
23	09828	1	Nut	44	65-07-009	8	Nut-Wheel, Dome
24	09827	1	Nut	45	10-11-100	1	Cap-Nut
26	111-4982-03	1	RH Rear Yoke ASM	47	70-11-004	2	Pin-Split
27	111-4983-03	1	LH Rear Yoke ASM				

● Not illustrated

■ Not serviced separately

Steering Column, Seat and Platform Assembly

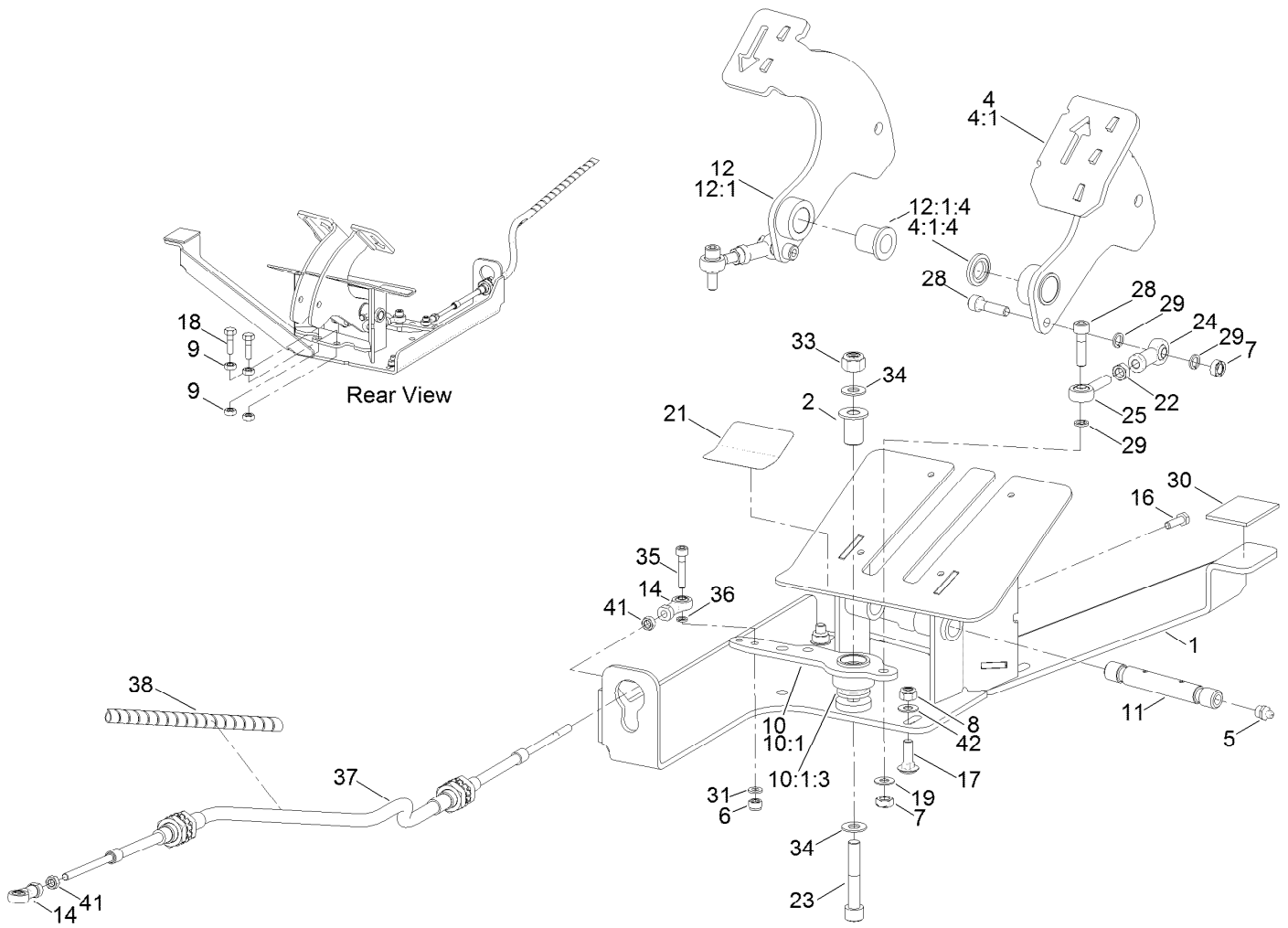


Steering Column, Seat and Platform Assembly (continued)

<i>Ref.</i>	<i>Part Number</i>	<i>Qty.</i>	<i>Description</i>	<i>Ref.</i>	<i>Part Number</i>	<i>Qty.</i>	<i>Description</i>
1	111-3509	5	Adaptor	27	03162	8	Screw-HH
2	111-3243-03	1	Bracket-Platform Pivot, LH	28	70-07-063	1	Spring-Extension
3	111-2665-03	1	Bracket-Platform Pivot, RH	29	111-6756	1	Steering Column ASM
4	111-3293	1	Bulkhead	29:1	111-3505	4	Bolt
5	111-3566	1	Decal-Latch, Platform	30	111-2574	1	HYD Steering Pump ASM
6	111-3562	1	Decal	31	98-1471	1	Wheel-Steering
7	67-1300	1	Decal	31:1	98-1468	1	Cover-Wheel, Steering
8	111-3510	1	Spring-Gas	32	09263	5	Washer
9	111-3140-03	1	Bar-Latch	33	09267	20	Washer
10	111-3269-03	1	Lever-Latch, Platform	34	03469	4	Washer-Spring
11	410076	2	Nut	35	ZWQ1J000U	10	Washer-Plain
12	111-3281	2	Bar-Nut	36	09264	4	Washer-Spring
13	63-11-015	4	Nut-Flanged	37	09474	1	Washer-Spring
14	ZNN1J000U	6	Nut-Hex, NI	38	93-5429	1	Collar-Foam
15	09441	16	Nut-Hex, NI	39	111-3268	1	Latch-Plate, Platform
16	111-3296	1	Operator Platform ASM	40	63-01-115	2	Washer
16:1	111-3506	1	Mat-Floor	41	09571	2	Screw-HH
16:2	111-3507	1	Mat-Side, LH	42	09599	2	Washer-Spring
16:3	111-3508	1	Mat-Side, RH	43	03162	2	Screw-HH
17	70-11-004	1	Pin-Split	44	ZWP1H000U	4	Washer-Plain
18	111-2899-03	1	Plate-Mount Pump, Steering	46	98-1459	1	Decal
19	111-3266	1	Latch-Platform	50	ZHS1H025U	2	Screw-HSBH
20	111-2640-03	1	Support-Platform	51	111-4921	1	Mudguard-LH
21	63-11-018	4	Screw-Durloc	52	111-4922	1	Mudguard-RH
22	09362	1	Screw-HH	53	09827	1	Nut
23	111-4935	1	Seat ASM (Incl. Seat Belt)	54	09499	2	Washer
23:1	111-4936	1	Retractable Seat Belt ASM	55	09364	8	Screw-HH
23:2	111-5543	1	Cushion-Seat	56	09262	12	Washer
23:3	111-5544	1	Cushion-Backrest	57	09438	6	Nut-Nyloc
24	111-3069-03	1	Pan-Seat	58	HY4200	1	Washer-Spring
25	09392	4	Screw-HH	59	50-08-001	2	Edging-Rubber
26	09363	2	Screw-HH	99	994808	1	Excluder-Draught ●

● Not illustrated

Pedal Control Assembly

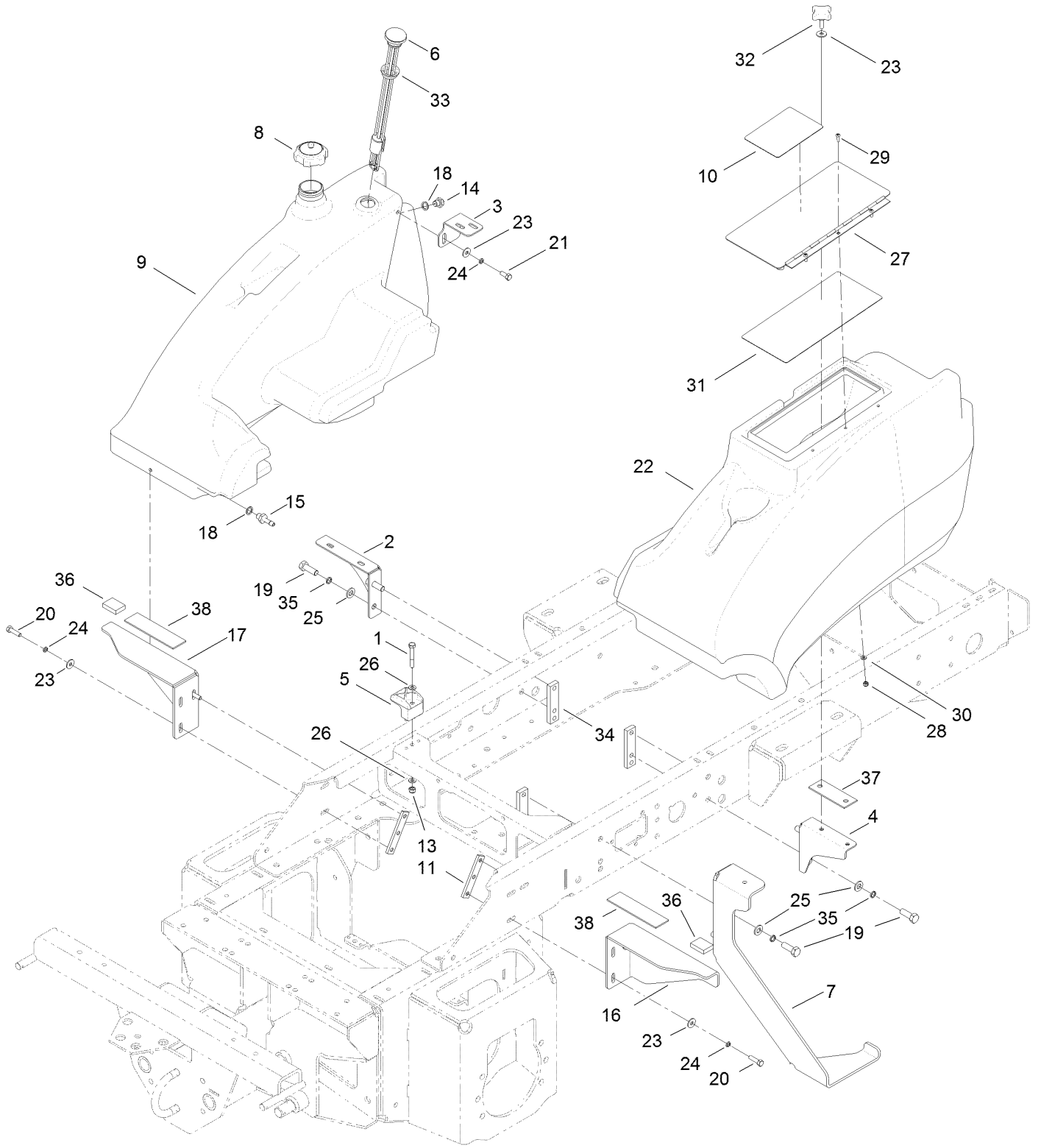


Pedal Control Assembly (continued)

<i>Ref.</i>	<i>Part Number</i>	<i>Qty.</i>	<i>Description</i>	<i>Ref.</i>	<i>Part Number</i>	<i>Qty.</i>	<i>Description</i>
1	111-6150-03	1	Pedal Base ASM	18	ZDH1J035U	2	Screw-HH
2	111-6494	1	Bushing-Spacer	19	09475	2	Washer
4	111-6278-03	1	Forward Pedal ASM	21	111-3567	1	Decal-Pedal Operation
4:1		1	Pedal-Forward ●	22	ZNH1H000U	2	Nut-Hex
4:1:4	953868	1	Bushing-Oilite, Flange	23	111-6757	1	Screw-HD
5	10-11-017	1	Zerk-Grease, Straight	24	111-2896	2	Rod-End, Female
6	09544	1	Nut-Nyloc	25	111-6147	2	Rod End
7	ZNB1H000U	4	Nut	28	ZCS1H030U	4	Screw-Cap
8	09441	3	Nut-Hex, NI	29	111-6948	6	Washer-Spring
9	09449	4	Nut	30	HY910808	1	Strip-Neoprene
10	111-6148-03	1	Pedal Lever ASM	31	09472	1	Washer-Plain
10:1		1	Lever-Pedal ●	33	09447	1	Nut
10:1:3	953868	1	Bushing-Oilite, Flange	34	09479	2	Washer
11	111-1310	1	Pin-Control, Pedal	35	111-4586	1	Screw-HSH
12	111-6277-03	1	Reverse Pedal ASM	36	09474	1	Washer-Spring
12:1		1	Pedal-Reverse ●	37	111-6282	1	Cable ASM
12:1:4	953868	1	Bushing-Oilite, Flange	38	111-6133	1	Guard-Spiral
14	111-4579	2	Rod End-Female/Female	41	09437	2	Nut
16	09363	2	Screw-HH	42	09267	3	Washer
17	09373	3	Bolt-Coach				

● Not serviced separately

Fuel Tank and Storage Pod Assembly

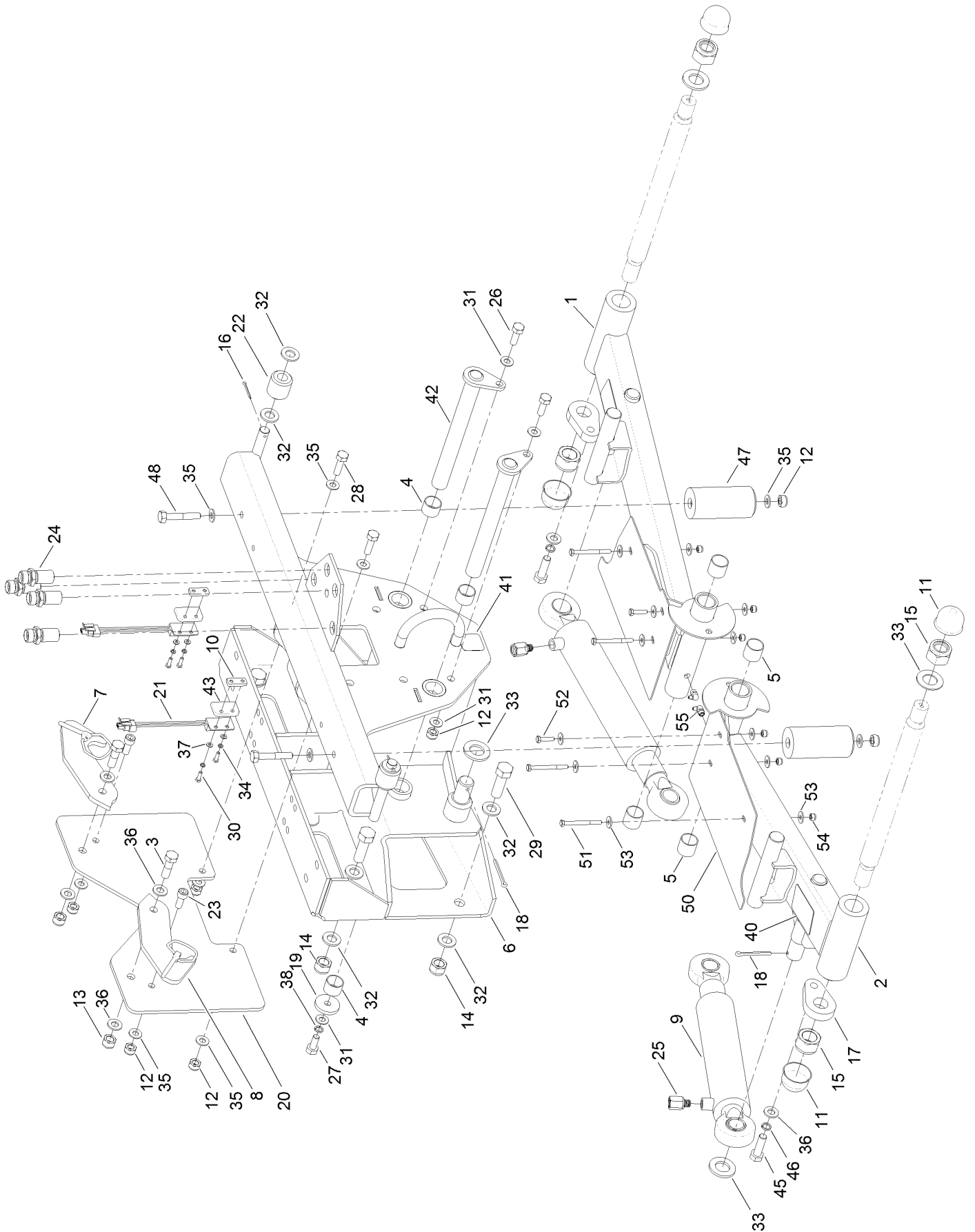


Fuel Tank and Storage Pod Assembly (continued)

<i>Ref.</i>	<i>Part Number</i>	<i>Qty.</i>	<i>Description</i>	<i>Ref.</i>	<i>Part Number</i>	<i>Qty.</i>	<i>Description</i>
1	09565	1	Screw-HH	22	111-3295	1	Pod-Storage
2	111-3452-03	1	Bracket-Fuel Tank	23	09267	9	Washer
3	111-3453-03	1	Bracket-Fuel Tank, Upper	24	03469	6	Washer-Spring
4	111-3424-03	1	Bracket-Storage Pod	25	HY09485	6	Washer-Plain
5	107-4543	1	Clamp	26	ZWP1H000U	2	Washer-Plain
6	111-3292	1	Gauge-Fuel Level	27	111-3561-03	1	Lid ASM
7	111-5364-01	1	Bracket-Step	28	09438	3	Nut-Nyloc
8	111-3531	1	Cap-Fuel	29	111-3381	3	Screw-HSBH
9	111-3294	1	Tank-Fuel	30	09472	3	Washer-Plain
10	111-5007	1	Decal-Inclines, Warning	31	111-3569	1	Decal-Maintenance
11	111-3281	2	Bar-Nut	32	111-3666	3	Handwheel
13	09441	1	Nut-Hex, NI	33	111-3678	1	Grommet-Gauge, Fuel Level
14	910352	1	Pipe-Fuel, Return	34	111-4490	3	Bar-Nut
15	910351	1	Pipe-Suction, Fuel	35	09599	6	Washer-Spring
16	111-3454-03	1	Support-Platform, LH	36	111-5386	2	Pad-Rubber
17	111-3455-03	1	Support-Platform, RH	37	111-5388	1	Pad-Rubber, Storage Pod
18	111-3925	2	Washer-Fibre	38	HY910808	1	Strip-Neoprene
19	ZDH1L035U	6	Screw-HH	99	70-07-067	1	Tape-Slip, Anti ●
20	09369	4	Screw-HH				
21	09368	2	Screw-HH				

● Not illustrated

Front Lift Arm Assembly

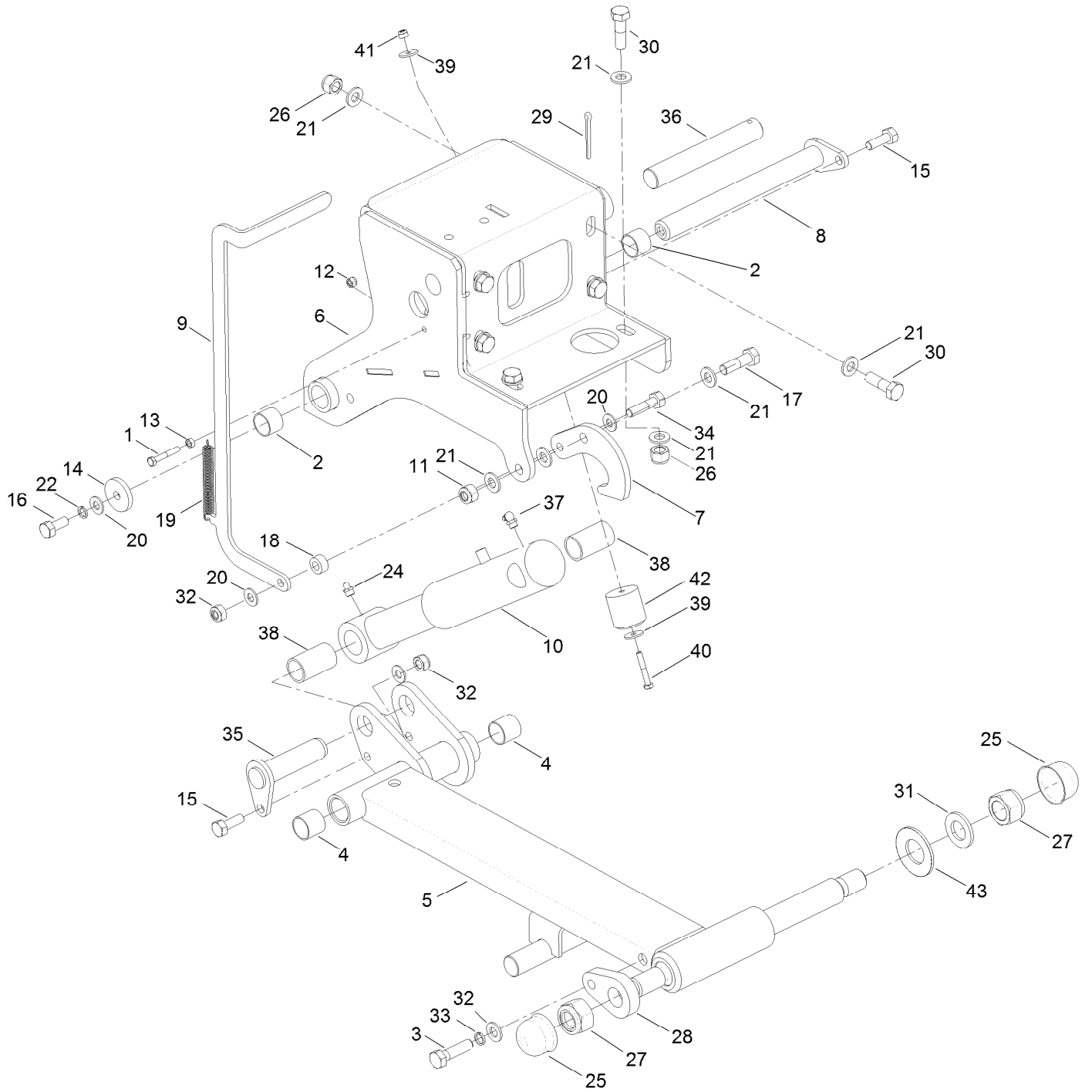


Front Lift Arm Assembly (continued)

<i>Ref.</i>	<i>Part Number</i>	<i>Qty.</i>	<i>Description</i>	<i>Ref.</i>	<i>Part Number</i>	<i>Qty.</i>	<i>Description</i>
1	111-1390-03	1	Arm-Front, RH	27	09395	2	Screw-HH
2	111-4100-03	1	Arm-Front, LH	28	ZDH1J035U	2	Screw-HH
3	63-11-010	2	Bolt-HH	29	ZDH1P050U	8	Screw-HH
4	74-07-028	4	Bushing	30	ZDH1E016U	4	Screw-HH
5	876066	4	Bushing	31	09479	6	Washer
6	111-2075-03	1	Front Arm Pivot ASM	32	09491	20	Washer-Plain
7	994350C	1	Latch-LH	33	09555	6	Washer
8	994355C	1	Latch-RH	34	09644	4	Washer-Spring
9	111-1998	2	HYD Lift Cylinder ASM	35	ZWQ1J000U	10	Washer-Plain
9:1	111-3471	1	Seal Kit ●	36	HY09485	6	Washer-Plain
10	111-3336	2	Bar-Switch, Proximity	37	09470	4	Washer
11	10-11-100	4	Cap-Nut	38	09480	2	Washer-Spring
12	ZNN1J000U	8	Nut-Hex, NI	40	70-13-077	2	Decal-Danger
13	09650	2	Nut-Hex, Nyloc	41	70-13-072	1	Decal-Jacking Point
14	09456	8	Nut	42	111-3248	2	Pin-Pivot, Front Arm
15	ZNN1X000U	4	Nut-Hex, Nyloc	43	111-3676	2	Spacer-Switch, Proximity
16	70-11-005	2	Pin-Split	45	ZDH1L040U	2	Screw-HH
17	63-01-185W	2	Retainer-Pin	46	09599	2	Washer-Spring
18	74-11-003	4	Pin-Split	47	111-4157	2	Stop-Bump
19	111-3366	2	Plate-Retaining, Bushing	48	09397	2	Bolt
20	111-4093-03	1	Mount-Latch, Plate	50	111-6822-03	2	Deflector- Arm, Mounted
21	105-0023	2	Switch-Proximity	51	09703	4	Bolt-HH
22	922112	2	Roller	52	09364	2	Screw-HH
23	ZCS1J025U	2	Screw-HSH	53	09262	12	Washer
24	09-06-216	4	Adaptor-Bulkhead	54	09544	6	Nut-Nyloc
25	111-3538	2	Adaptor	55	63-07-027	2	Zerk-Grease, Bsp (90 DEG)
26	09392	2	Screw-HH				

● Not illustrated

Center Arm Assembly

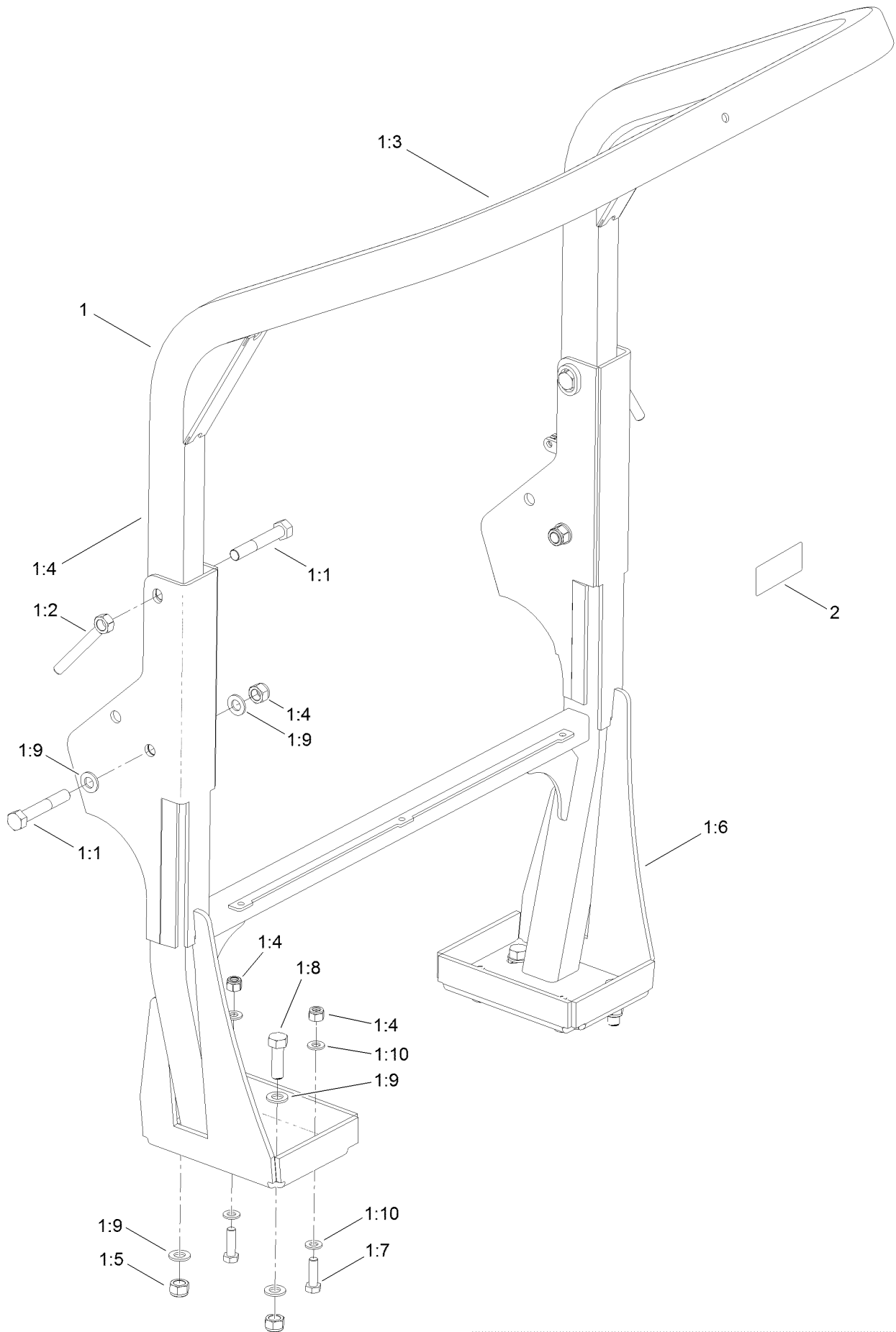


Center Arm Assembly (continued)

<i>Ref.</i>	<i>Part Number</i>	<i>Qty.</i>	<i>Description</i>	<i>Ref.</i>	<i>Part Number</i>	<i>Qty.</i>	<i>Description</i>
1	ZBH1F040U	1	Screw-HH	23	111-3538	1	Adaptor ●
2	74-07-028	2	Bushing	24	10-11-017	1	Zerk-Grease, Straight
3	ZBH1L045U	1	Screw-HH	25	10-11-100	2	Cap-Nut
4	876066	2	Bushing	26	ZNN1L000U	6	Nut-Nyloc
5	111-5158-03	1	Centre Arm ASM	27	ZNN1X000U	2	Nut-Hex, Nyloc
6	111-5190-03	1	Centre Arm Mount ASM	28	63-01-185W	1	Retainer-Pin
7	111-3099-01	1	Latch-Head, Center	29	74-11-003	2	Pin-Split
8	111-3248	1	Pin-Pivot, Front Arm	30	09415	6	Screw-HH
9	111-3122-01	1	Handle-Head, Centre	31	09555	3	Washer
10	910109W	1	Cylinder-Lift	32	09441	3	Nut-Hex, NI
11	09650	1	Nut-Hex, Nyloc	33	09599	1	Washer-Spring
12	09544	1	Nut-Nyloc	34	09611	1	Bolt-HH
13	09437	1	Nut	35	74-05-108	1	Pin-Wing, Arm
14	111-3366	1	Plate-Retaining, Bushing	36	111-5212	1	Pin
15	09392	2	Screw-HH	37	63-07-027	1	Zerk-Grease, Bsp (90 DEG)
16	09395	1	Screw-HH	38	25-07-007	2	Bushing-Tension
17	ZDH1L035U	1	Screw-HH	39	09263	2	Washer
18	111-3457	1	Spacer-Latch, Center Head	40	ZBH1F040U	1	Screw-HH
19	111-3329	1	Spring-Latch, Center Head	41	09438	1	Nut-Nyloc
20	ZWQ1J000U	7	Washer-Plain	42	61-07-003	1	Buffer-Rubber
21	HY09485	17	Washer-Plain	43	767815	1	Washer-Belleville
22	09480	1	Washer-Spring				

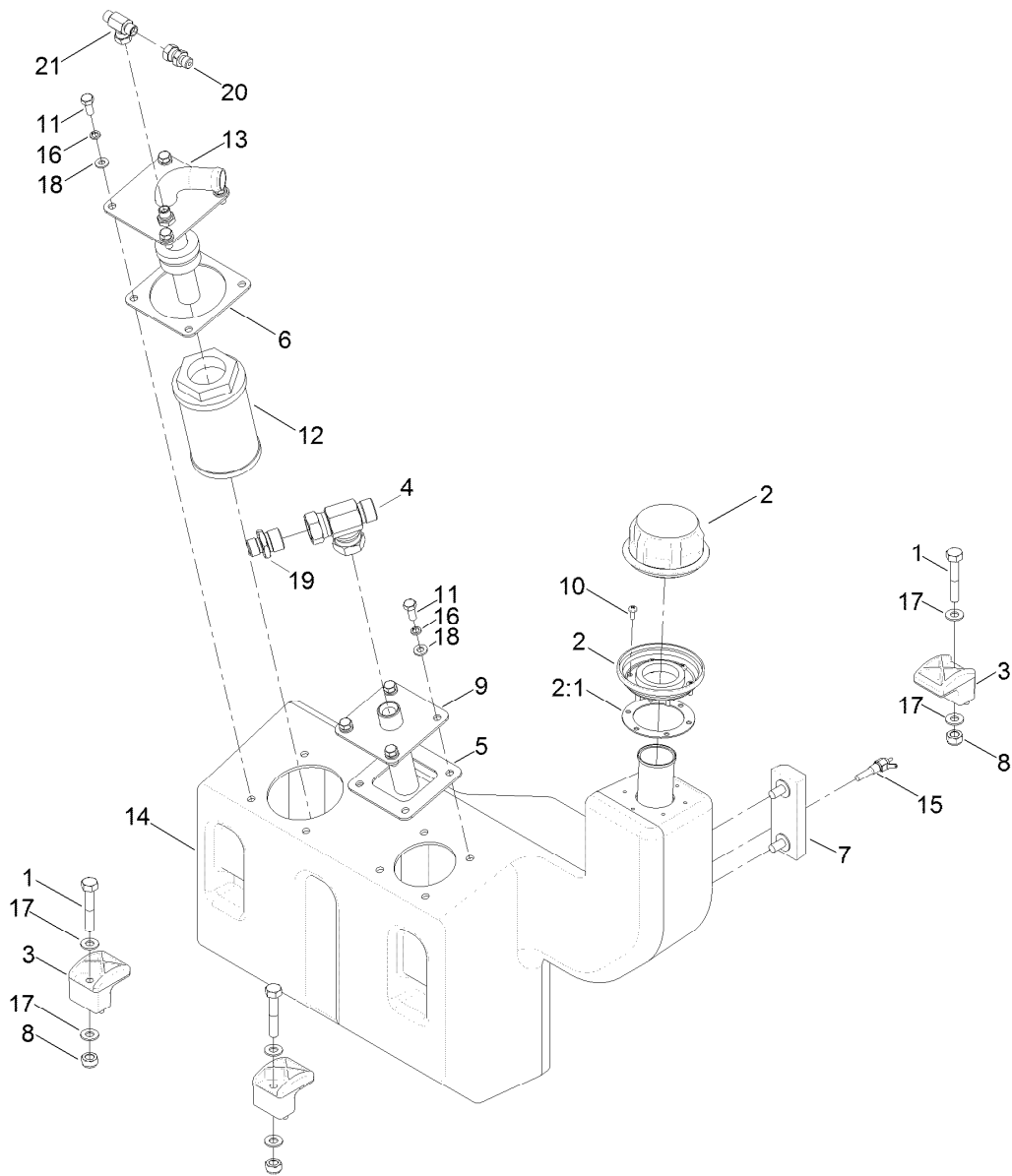
● Not illustrated

Roll-Over Protection System Assembly



Roll-Over Protection System Assembly (continued)

<i>Ref.</i>	<i>Part Number</i>	<i>Qty.</i>	<i>Description</i>	<i>Ref.</i>	<i>Part Number</i>	<i>Qty.</i>	<i>Description</i>
1	111-5436	1	ROPS ASM	1:6	111-3459	1	Frame-Lower
1:1	ZBH1P100U	4	Bolt	1:7	ZDH1L040U	4	Screw-HH
1:2	956016	2	Nut-Hand	1:8	111-3484	4	Screw-HH
1:3	111-3460	1	Hoop-Upper	1:9	09491	12	Washer-Plain
1:4	ZNN1L000U	4	Nut-Nyloc	1:10	HY09485	8	Washer-Plain
1:5	09456	6	Nut	2	111-0773	2	Decal

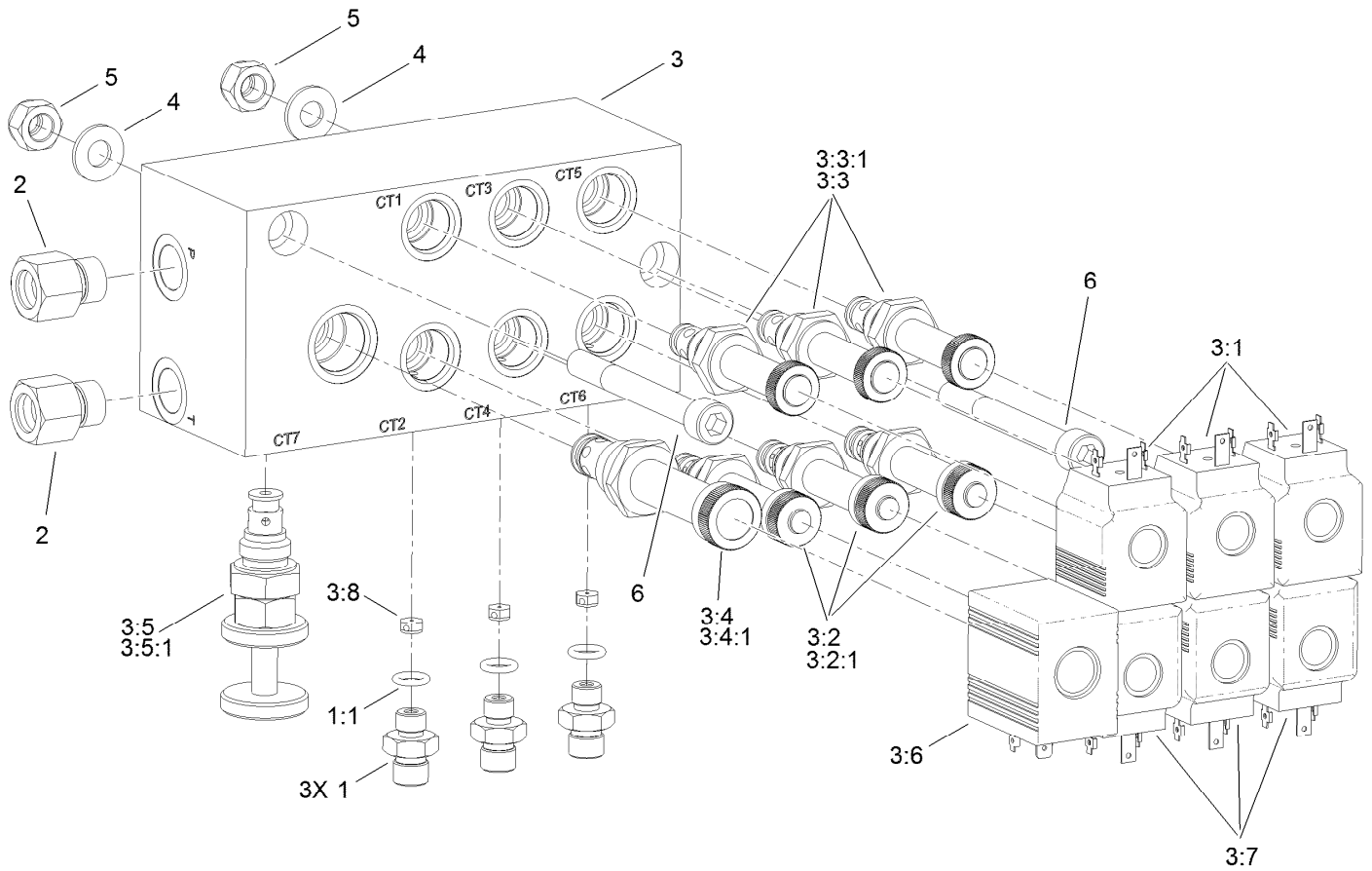


Hydraulic Oil Tank Assembly

Ref.	Part Number	Qty.	Description
1	09397	3	Bolt
2	HY910601	1	Cap-Breather, Filler
2:1	910648	1	Cap-Gasket, Filler
3	107-4543	3	Clamp
4	60-06-009	1	Adaptor-Tee
5	111-3387	1	Gasket-Flange, Return
6	111-3386	1	Gasket-Flange, Suction
7	65-06-018	1	Gauge-Level, Oil
8	ZNN1J000U	3	Nut-Hex, NI
9	111-3230-03	1	Flange-Return
10	10-11-029	6	Screw-PPH, Taptite
11	09368	8	Screw-HH

Ref.	Part Number	Qty.	Description
12	10-06-025	1	Filter-Suction
13	111-5155-03	1	Suction Flange ASM
14	111-3034	1	Tank-Oil, HYD
15	940852	1	Switch-Temperature
16	03469	8	Washer-Spring
17	ZWQ1J000U	6	Washer-Plain
18	ZWP1H000U	8	Washer-Plain
19	09-06-201	1	Adaptor
20	111-4666	1	Adaptor-Bsp
21	60-06-011	1	Tee-Bsp
99	10-11-033	2	Clamp-Hose, Hi-Torque ●

● Not illustrated

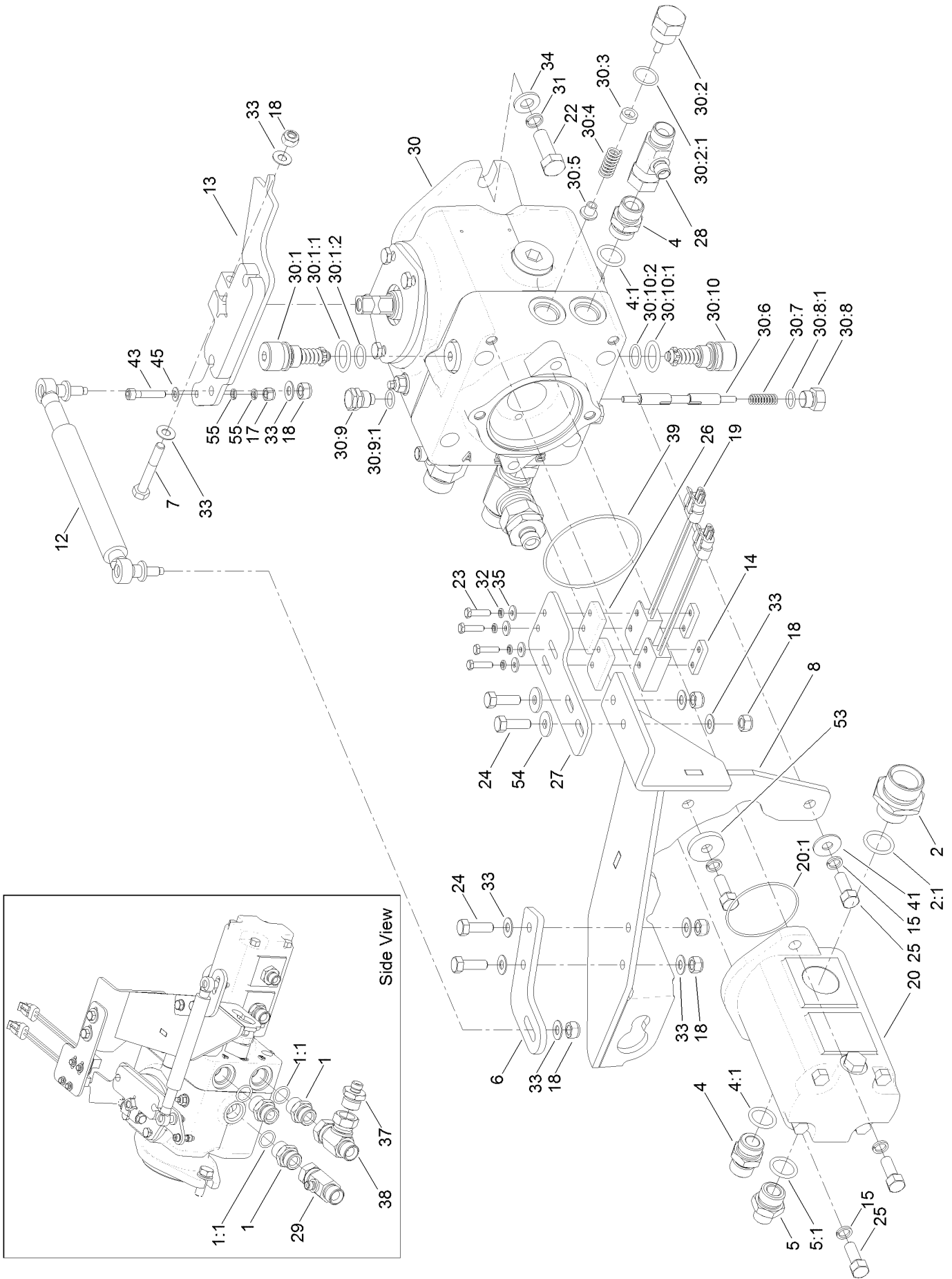


Lift Manifold Assembly

Ref.	Part Number	Qty.	Description
1	950750	3	Adaptor
1:1	70-06-163	1	Seal-O Ring
2	111-3509	2	Adaptor
3	111-3435	1	Manifold-Control, Lift
3:1	111-3434	3	Solenoid
3:2	111-3436	3	Valve-Solenoid
3:2:1	111-4902	1	Seal Kit
3:3	111-3437	3	Valve-Solenoid
3:3:1	111-4902	1	Seal Kit
3:4	111-3438	1	Valve-Solenoid

Ref.	Part Number	Qty.	Description
3:4:1	111-4903	1	Seal Kit
3:5	111-3439	1	Needle-Valve
3:5:1	111-4904	1	Seal Kit
3:6	111-3440	1	Solenoid
3:7	111-3688	3	Solenoid Coil
3:8	111-3689	3	Plate-Orifice (2 Way)
4	ZWQ1J000U	2	Washer-Plain
5	ZNN1J000U	2	Nut-Hex, NI
6	111-3520	2	Screw-HSH

Transmission and Tandem Pump Assembly

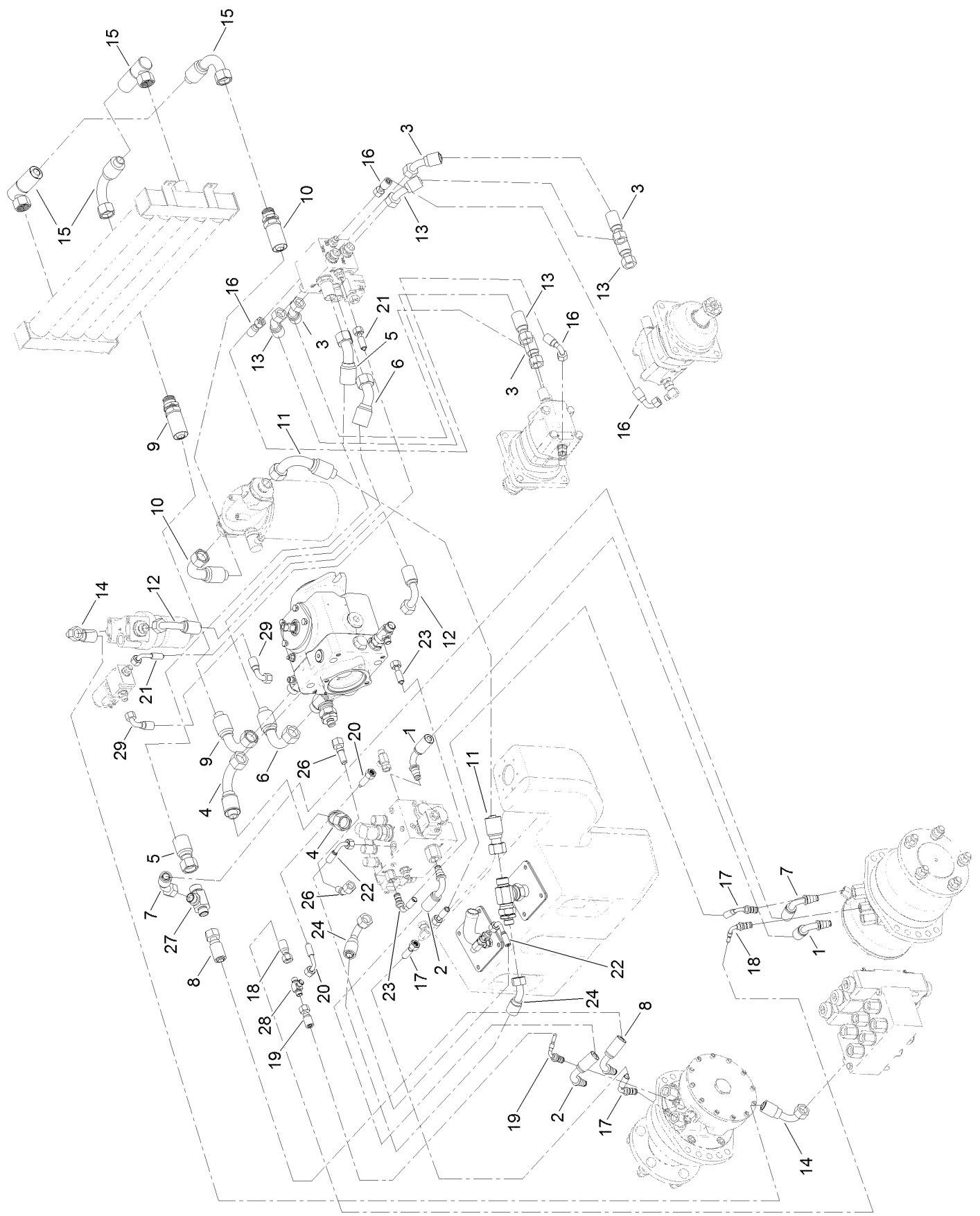


Transmission and Tandem Pump Assembly (continued)

<i>Ref.</i>	<i>Part Number</i>	<i>Qty.</i>	<i>Description</i>	<i>Ref.</i>	<i>Part Number</i>	<i>Qty.</i>	<i>Description</i>
1	70-06-050	3	Adaptor-Boss	30:1:1	111-4906	1	O-Ring, Large
1:1	70-06-168	1	Seal-O Ring	30:1:2	111-4925	1	O-Ring, Small
2	70-06-236	1	Adaptor-Bspp, 1 Inch	30:2	111-3378	1	Plug-Charge Pressure Relief
2:1	70-06-168	1	Seal-O Ring	30:2:1	111-4920	1	O-Ring, Charge Relief Plug
4	63-06-104	2	Adaptor-Bsp	30:3	111-4908	1	Shim Kit (Charge Prv)
4:1	63-06-111	1	Seal-O Ring	30:4	111-4918	1	Spring-Charge, Prv
5	70-06-053	1	Adaptor-Boss	30:5	111-4919	1	Poppet-Charge, Prv
5:1	63-06-111	1	Seal-O Ring	30:6	111-3380	1	Valve-Flushing, Loop
6	111-6853-03	1	Adjuster-Damper	30:7	111-4917	1	Spring-Loop Flushing Valve
7	09565	1	Screw-HH	30:8	111-4916	1	Plug-Loop Flushing Valve
8	111-6456-03	1	Bracket-Control, Pump	30:8:1	111-4928	1	O-Ring, Loop Flushing Valve
12	MU1001328	1	Damper ASM	30:9	111-6776	1	Plug-Flush
13	111-6814	1	Lever-Control, Pump	30:9:1	111-4928	1	O-Ring, Loop Flushing Valve
14	111-3336	2	Bar-Switch, Proximity	30:10	111-6775	1	Valve-Pressure Relief, 300 Bar
15	09273	4	Washer-Spring	30:10:1	111-4906	1	O-Ring, Large
17	09544	1	Nut-Nyloc	30:10:2	111-4925	1	O-Ring, Small
18	09441	7	Nut-Hex, NI	31	09599	2	Washer-Spring
19	105-0023	2	Switch-Proximity	32	09644	4	Washer-Spring
20	111-3553	1	Tandem Pump ASM	33	09475	10	Washer
20:1	70-06-028	1	O-Ring	34	HY09485	2	Washer-Plain
20:99	70-06-153	1	Seal Kit ●	35	09257	4	Washer
22	ZDH1L035U	2	Screw-HH	37	20-06-212	1	Adaptor-Bsp
23	ZDH1E020U	4	Screw-HH	38	60-06-009	1	Adaptor-Tee
24	03162	4	Screw-HH	39	70-06-028	1	O-Ring
25	HY103653	4	Screw-HH	41	HY03355	1	Washer-Plated
26	111-3676	2	Spacer-Switch, Proximity	43	111-4586	1	Screw-HSH
27	111-3260-03	1	Adjuster-Switches	45	ZWP1F000U	1	Washer-Plain
28	74-06-019	1	Adaptor-Tee	53	65-01-559	1	Washer-Space
29	111-3639	1	Tee-Bsp	54	09267	2	Washer
30	111-6774	1	Pump-Transmission	55	09474	2	Washer-Spring
30:1	111-3379	1	Valve-Pressure Relief, 345 Bar				

● Not illustrated

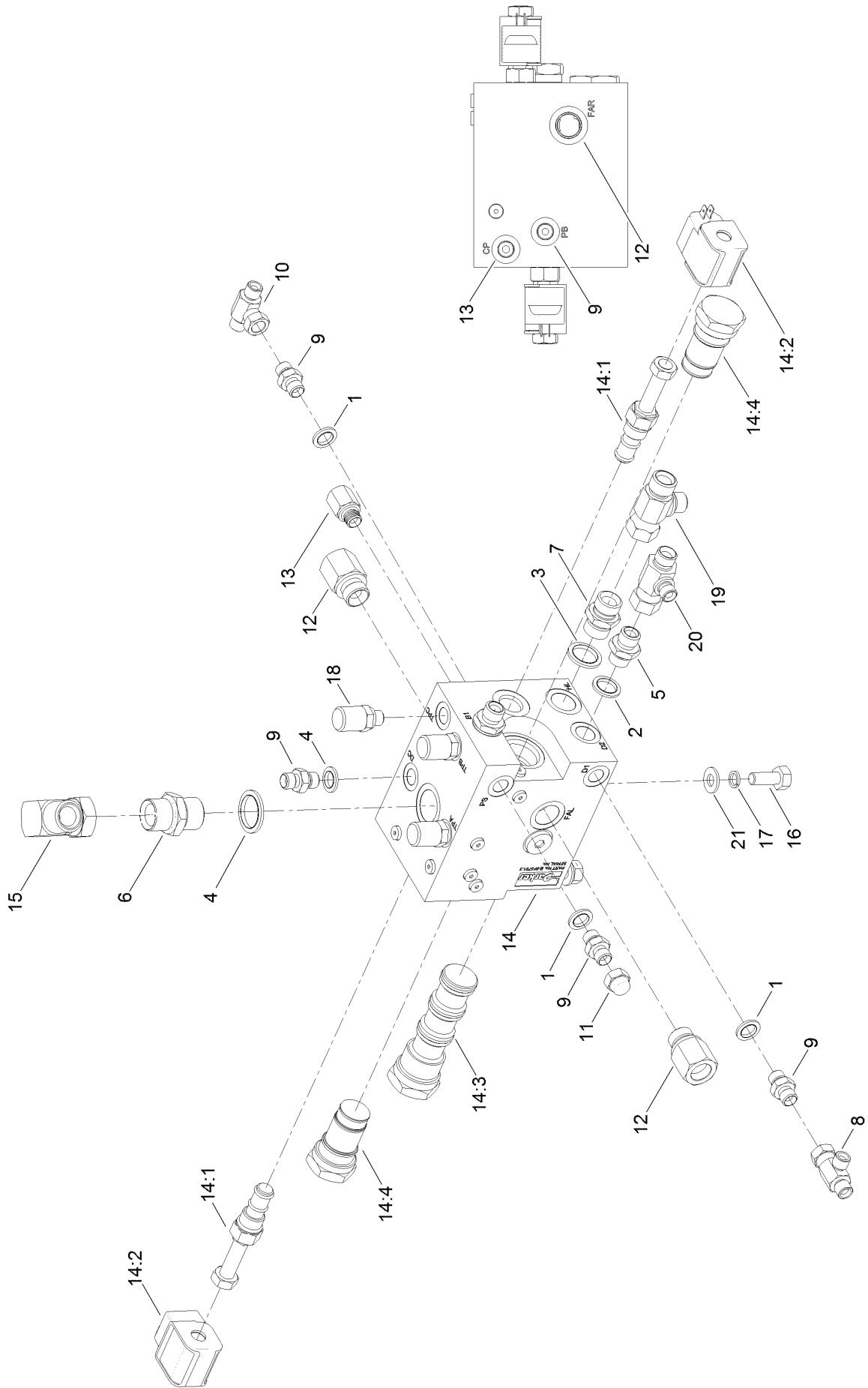
Transmission Hydraulic Circuit Assembly



Transmission Hydraulic Circuit Assembly (continued)

<i>Ref.</i>	<i>Part Number</i>	<i>Qty.</i>	<i>Description</i>	<i>Ref.</i>	<i>Part Number</i>	<i>Qty.</i>	<i>Description</i>
1	111-4473	1	Hose	15	111-3599	2	Hose
2	111-4474	1	Hose (1/2 Inch)	16	111-3604	2	Hose
3	111-3576	2	Hose	17	111-4483	2	Hose (1/4 Inch)
4	111-4475	1	Hose (3/4 Inch)	18	111-3606	1	Hose
5	111-3578	1	Hose	19	111-3607	1	Hose
6	111-4479	1	Hose	20	111-4480	1	Hose
7	111-4476	1	Hose (1/2 Inch)	21	111-4481	1	Hose
8	111-4477	1	Hose	22	111-6163	1	Hose
9	111-4478	1	Hose	23	111-4472	1	Hose
10	111-3587	1	Hose	24	111-5627	1	Hose (1/2 Inch)
11	111-3588	1	Hose	26	111-4485	1	Hose (3/8 Inch)
12	111-3593	1	Hose	27	111-3642	1	Tee-Bsp
13	111-3595	2	Hose	28	30-06-201	1	Tee
14	111-6950	1	Hose	29	111-6765	1	Hose

Transmission Manifold Assembly

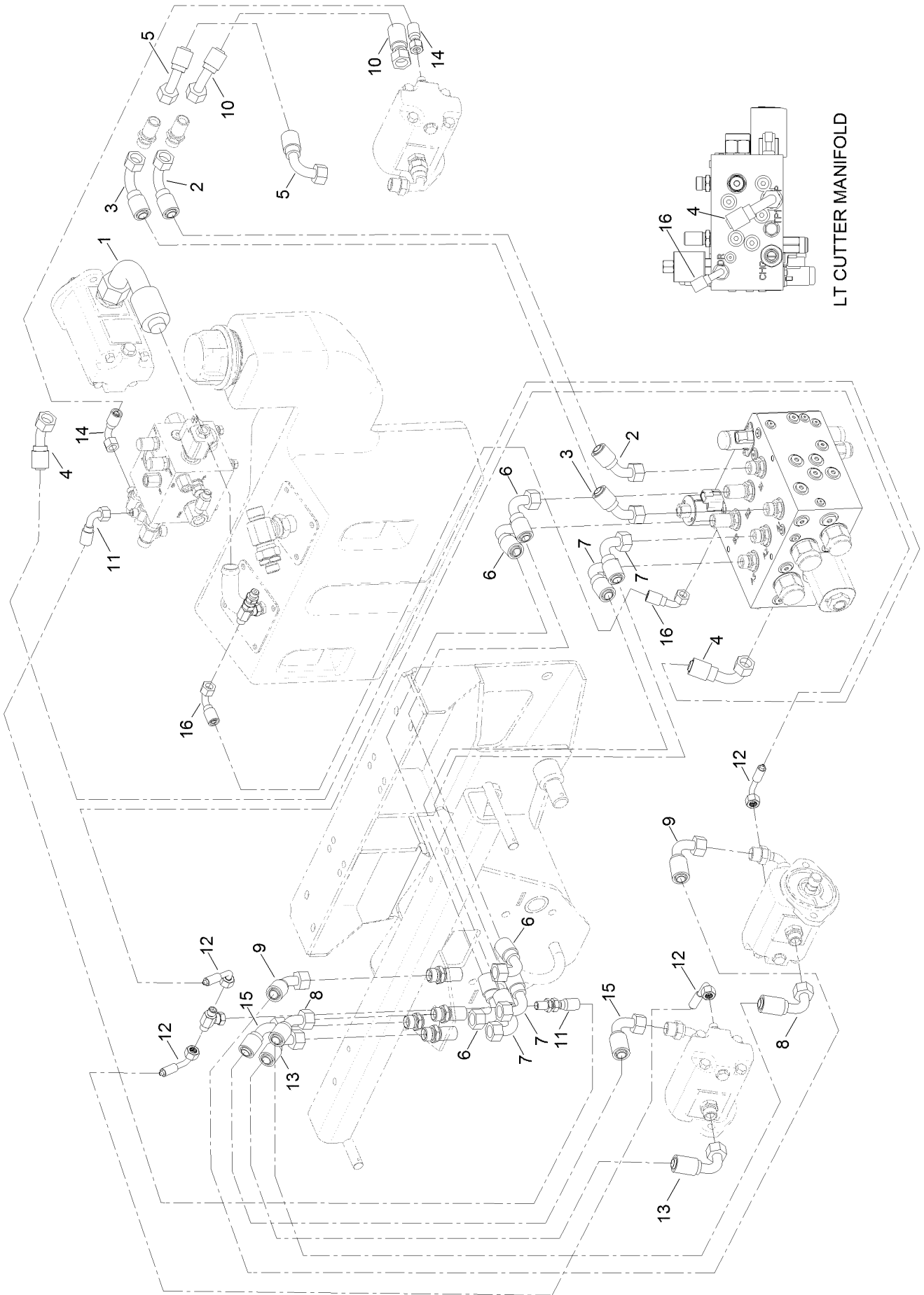


Transmission Manifold Assembly (continued)

<i>Ref.</i>	<i>Part Number</i>	<i>Qty.</i>	<i>Description</i>	<i>Ref.</i>	<i>Part Number</i>	<i>Qty.</i>	<i>Description</i>
1	10-06-030	4	Seal-Dowty	14:1	111-3533	2	Valve-Solenoid
2	10-06-031	2	Seal-Dowty	14:1:1	910633	1	Seal Kit ●
3	10-06-032	1	Seal-Dowty	14:2	910627	2	Coil-Solenoid
4	10-06-033	1	Seal-Dowty	14:3	111-4466	1	Valve-Flow, Divider/Combiner
5	10-06-042	2	Adaptor-Bspp	14:4	111-4467	2	Valve-Diverter
6	10-06-044	1	Adaptor-Bsp	14:99	910629	1	Valve-Shuttle ●
7	10-06-078	1	Adaptor-Bspp	15	111-4443	1	Elbow-Bsp
8	10-06-083	1	Tee-Bsp, 1/4 Inch	16	09395	3	Screw-HH
9	10-06-085	4	Adaptor	17	09480	3	Washer-Spring
10	60-06-011	1	Tee-Bsp	18	910615	3	Test Point-Bspp
11	66-06-003	1	Cap-Bsp	19	953732	1	Tee-Bsp
12	111-3529	2	Adaptor	20	953806	1	Tee
13	111-3538	1	Adaptor	21	ZWQ1J000U	3	Washer-Plain
14	111-3993	1	Manifold-Front, Transmission				

● Not illustrated

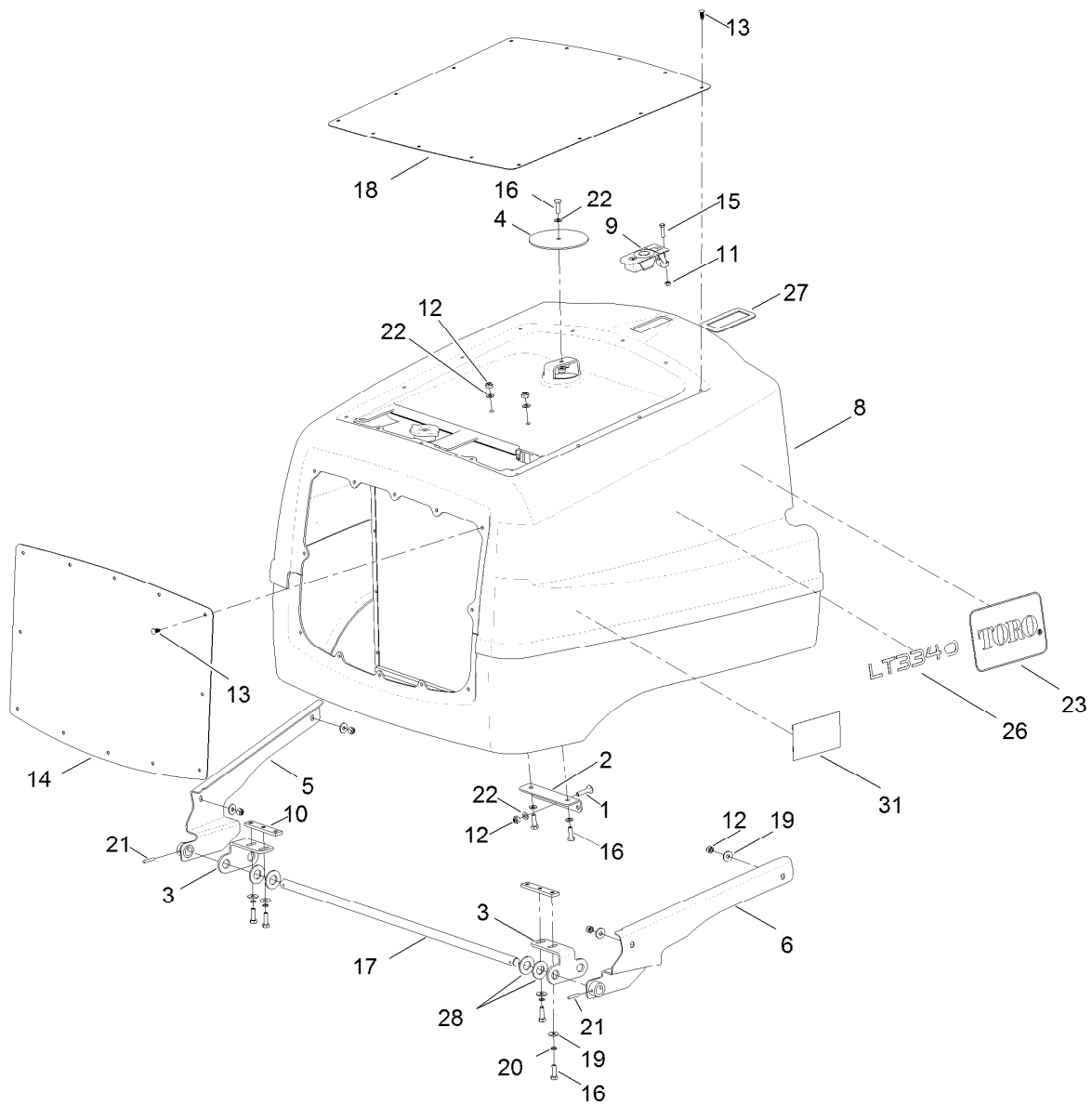
Hydraulic Circuit Assembly



Hydraulic Circuit Assembly (continued)

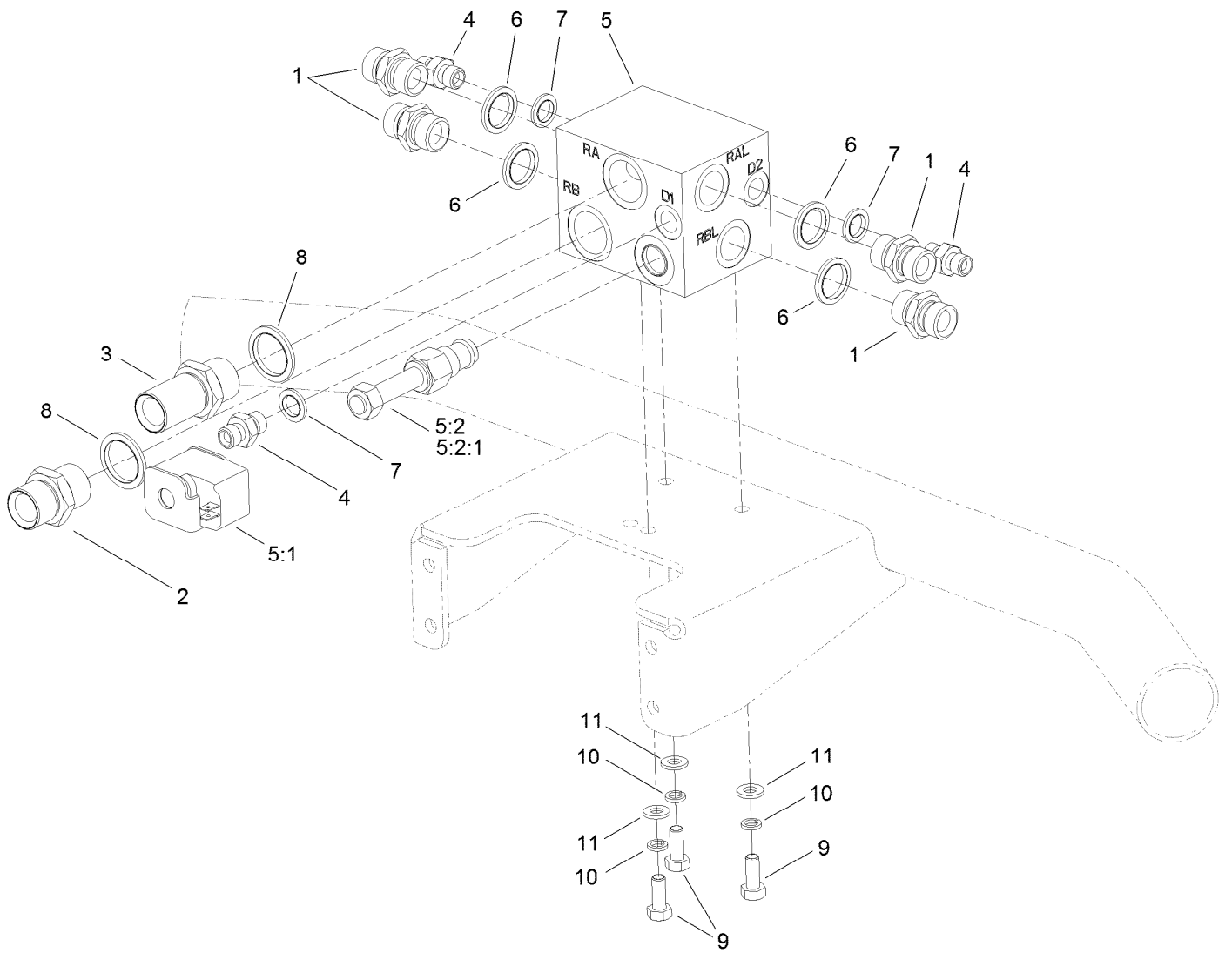
<i>Ref.</i>	<i>Part Number</i>	<i>Qty.</i>	<i>Description</i>	<i>Ref.</i>	<i>Part Number</i>	<i>Qty.</i>	<i>Description</i>
1	111-4484	1	Hose	9:3	07809	2	Hose-Sock ●
2	111-6766	1	Hose	10	111-6772	1	Hose
3	111-6767	1	Hose	11	111-3597	1	Hose
4	111-6768	1	Hose	12	111-4159	2	Hose
5	111-6769	1	Hose	13	111-4136	1	Hose
6	111-6770	2	Hose	13:4	07809	2	Hose-Sock ●
7	111-6771	2	Hose	14	111-3609	1	Hose
8	111-4135	1	Hose	15	111-4134	1	Hose
8:4	07809	2	Hose-Sock ●	15:4	07809	2	Hose-Sock ●
9	111-4133	1	Hose	16	111-6773	1	Hose

● Not illustrated



Hood Assembly

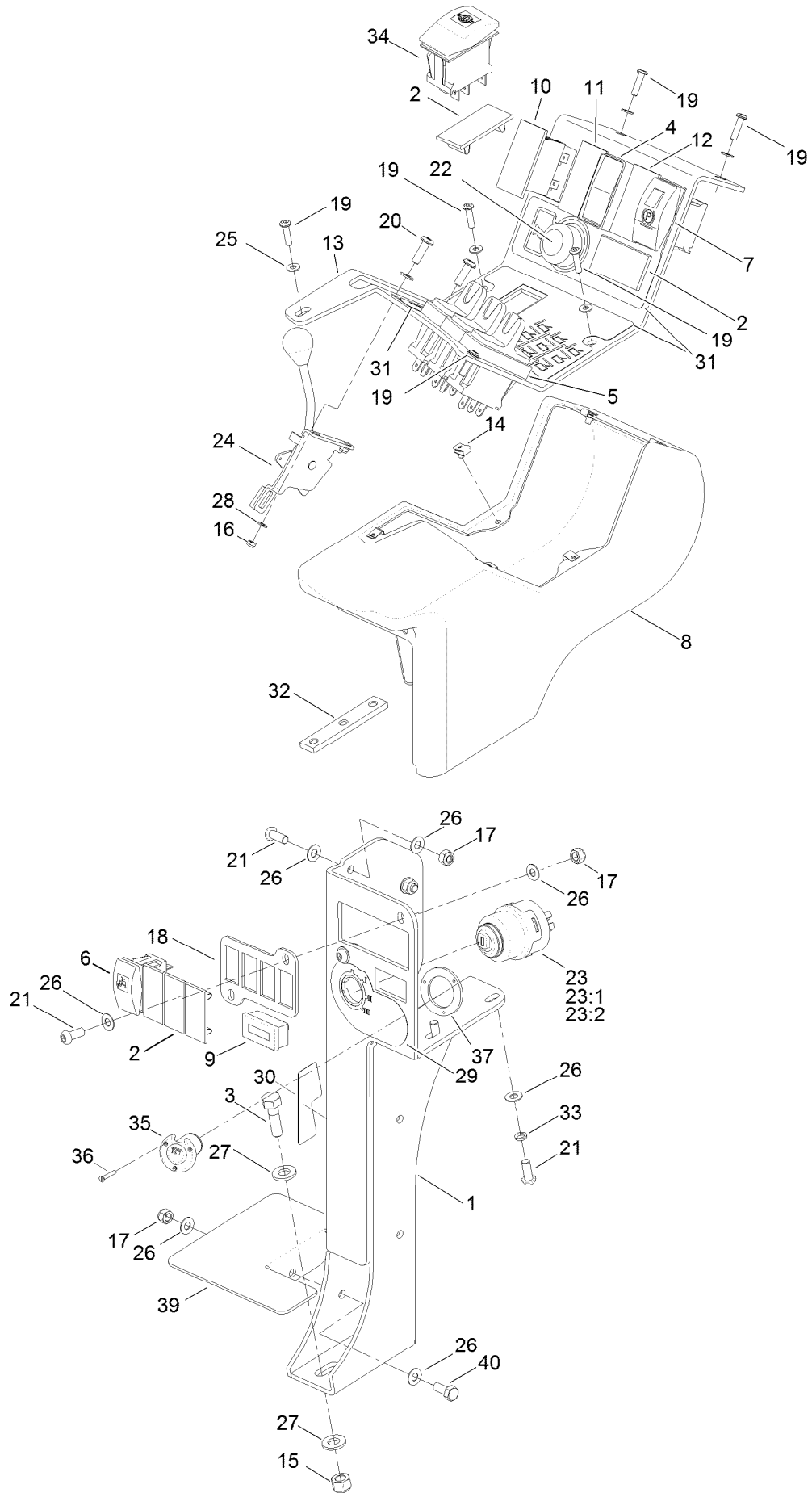
Ref.	Part Number	Qty.	Description	Ref.	Part Number	Qty.	Description
1	09548	1	Bolt-Coach	15	09364	1	Screw-HH
2	111-2111-03	1	Bracket-Engine, Cover	16	03162	7	Screw-HH
3	111-3278-03	2	Bracket-Pivot, Rear Cover	17	111-3486	1	Shaft-Hinge, Cover
4	111-3557-03	1	Cover-Air Intake	18	111-6918-03	1	Screen-Top
5	111-3490-03	1	Hinge-Cover, Engine (LH)	19	09267	8	Washer
6	111-3491-03	1	Hinge-Cover, Engine (RH)	20	03469	4	Washer-Spring
8	111-6920	1	Cover-Engine	21	09730	2	Pin-Spiral
9	950831	1	Latch-Sealed, Lever	22	ZWP1H000U	7	Washer-Plain
10	111-3281	2	Bar-Nut	23	111-3728	2	Decal
11	09437	1	Nut	26	111-3984	2	Decal
12	09441	8	Nut-Hex, NI	27	111-4158-03	1	Plate-Support, Latch
13	114-4899	26	Plug-Plastic	28	09499	4	Washer
14	111-6919-03	1	Screen-Rear	31	94-8099	2	Decal



Rear Transmission Block Assembly

Ref.	Part Number	Qty.	Description
1	10-06-078	4	Adaptor-Bspp
2	10-06-044	1	Adaptor-Bsp
3	111-3641	1	Adaptor-Bsp
4	10-06-085	3	Adaptor
5	924687	1	Manifold-Transmission, Rear
5:1	910627	1	Coil-Solenoid
5:2	924688	1	Valve-2-Way, Solenoid
5:2:1	910642	1	Seal Kit
6	10-06-032	4	Seal-Dowty
7	10-06-030	3	Seal-Dowty
8	10-06-033	2	Seal-Dowty
9	09368	3	Screw-HH
10	03469	3	Washer-Spring
11	ZWP1H000U	3	Washer-Plain

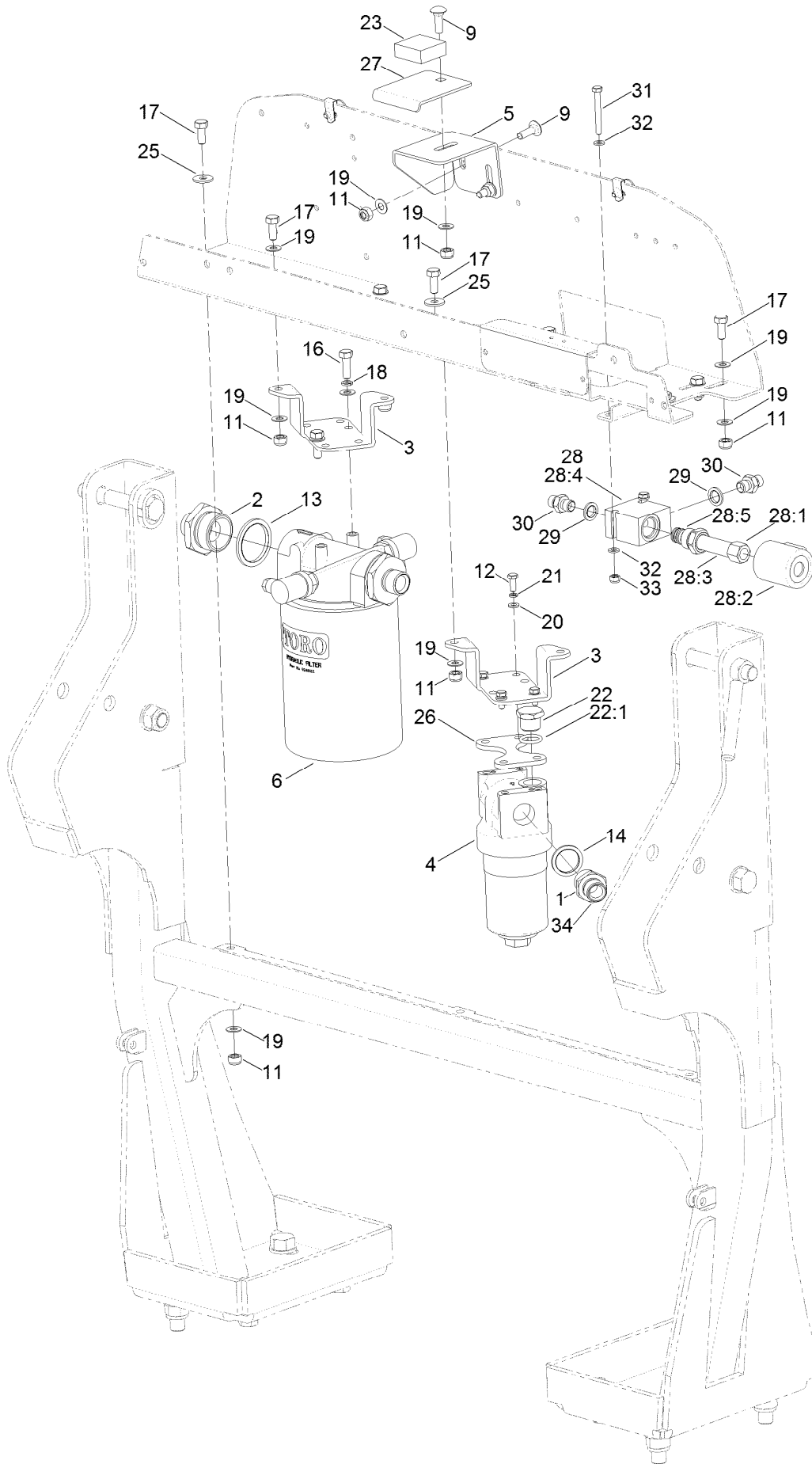
Control Panel Assembly



Control Panel Assembly (continued)

<i>Ref.</i>	<i>Part Number</i>	<i>Qty.</i>	<i>Description</i>	<i>Ref.</i>	<i>Part Number</i>	<i>Qty.</i>	<i>Description</i>
1	111-5166-03	1	Control Arm ASM	22	924618	1	Switch-Horn, Push
2	111-2337	4	Blank-Switch	23	74-09-009	1	Switch-Ignition
3	09394	2	Bolt	23:1	74-09-017	1	Key-Ignition
4	111-2253	1	Switch-Cutters	23:2	74-09-010	1	Switch-Cover
5	111-2956	3	Switch-Lift	24	111-7090	1	Cable-Throttle
6	111-2451	1	Switch-Limited Lift Reverse	25	09658	6	Washer
7	111-2254	1	Switch-Park Brake	26	09475	12	Washer
8	111-3004	1	Pod-Control	27	HY09485	4	Washer-Plain
9	111-3362	1	Meter-Hour	28	09470	4	Washer
10	111-2333	1	Indicator-Illuminated	29	111-3344	1	Decal-Switch, Ignition
11	111-2334	1	Indicator-Illuminated	30	111-3658	1	Decal-Latch, Cutterhead
12	111-3026	1	Indicator-Illuminated	31	111-3277	1	Decal-Lift Switches And Engine Control
13	111-2963-03	1	Instrument-Panel	32	111-3281	1	Bar-Nut
14	111-3079	6	U-Nut	33	03469	2	Washer-Spring
15	09447	2	Nut	34	111-3060	1	Switch-Diff Lock
16	09430	2	Nut-Nyloc	35	111-2888	1	Socket-12V
17	09441	5	Nut-Hex, NI	36	111-3539	3	Screw-Slot, Countersunk
18	111-3361-03	1	Plate-Switch	37	111-6026	1	Bracket-Securing
19	111-3473	6	Screw-Button Head	39	111-5239-03	1	Plate-Filler
20	111-3381	2	Screw-HSBH	40	09368	1	Screw-HH
21	ZHS1H020U	6	Screw-HSBH				

Filter Assembly

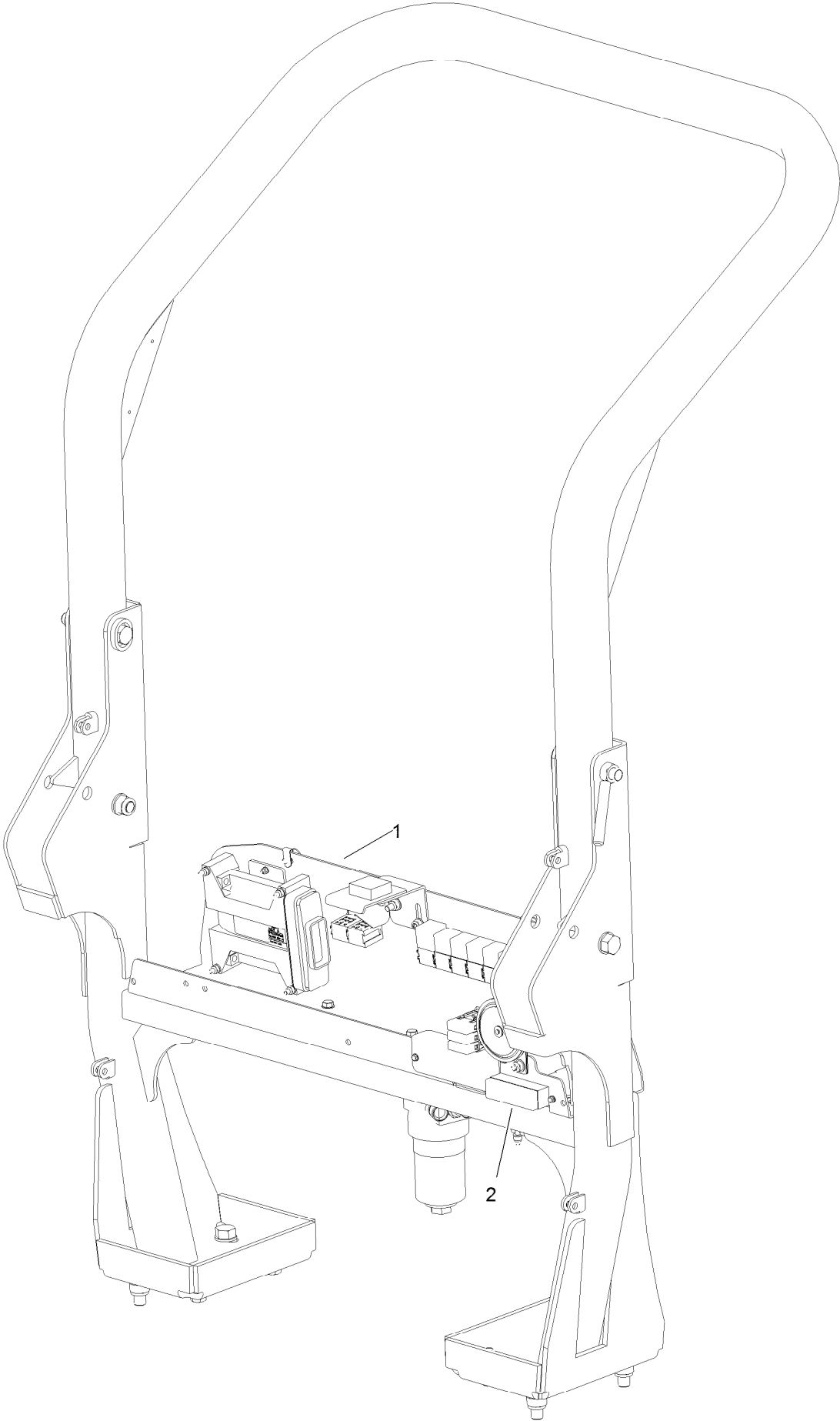


Filter Assembly (continued)

<i>Ref.</i>	<i>Part Number</i>	<i>Qty.</i>	<i>Description</i>	<i>Ref.</i>	<i>Part Number</i>	<i>Qty.</i>	<i>Description</i>
1	09-06-201	1	Adaptor	21	09474	4	Washer-Spring
2	25-06-050	2	Adaptor	22	111-3926	1	Plug
3	111-3485-03	2	Bracket-Filter, Oil	22:1	63-06-111	1	Seal-O Ring
4	924708	1	Pressure Filter ASM	23	488023	1	Pad-Foam, Short
4:1	924709	1	Element-Filter, Pressure ●	25	09267	3	Washer
4:2	924710	1	Indicator-Filter, Pressure ●	26	111-4843-03	1	Spacer-Oil Filter
5	111-6095-03	1	Plate-Latch, Bulkhead	27	111-6096-03	1	Plate-Latch, Bonnet
6	924865	1	Filter Return ASM	28	111-6777	1	Manifold-Relief, Motor
6:1	924692	1	Element-Filter ●	28:1	110-2635	1	Nut-Coil
6:2	950708	1	Switch-Return, Filter ●	28:2	111-5625	1	Coil-Solenoid
9	09373	3	Bolt-Coach	28:3	111-6838	1	Valva-Solenoid, Internal Relief
11	09441	12	Nut-Hex, NI	28:4	111-6839	1	Line Body
12	09362	4	Screw-HH	28:5	110-6316	1	Seal Kit
13	10-06-035	2	Seal-Dowty	29	10-06-030	2	Seal-Dowty
14	10-06-033	2	Seal-Dowty	30	10-06-085	2	Adaptor
16	03162	2	Screw-HH	31	ZDH1F050U	2	Setscrew
17	09368	7	Screw-HH	32	09472	4	Washer-Plain
18	03469	2	Washer-Spring	33	09544	2	Nut-Nyloc
19	09475	18	Washer	34	994626	1	Adaptor-Bspp
20	09472	4	Washer-Plain				

● Not illustrated

Loom Kit

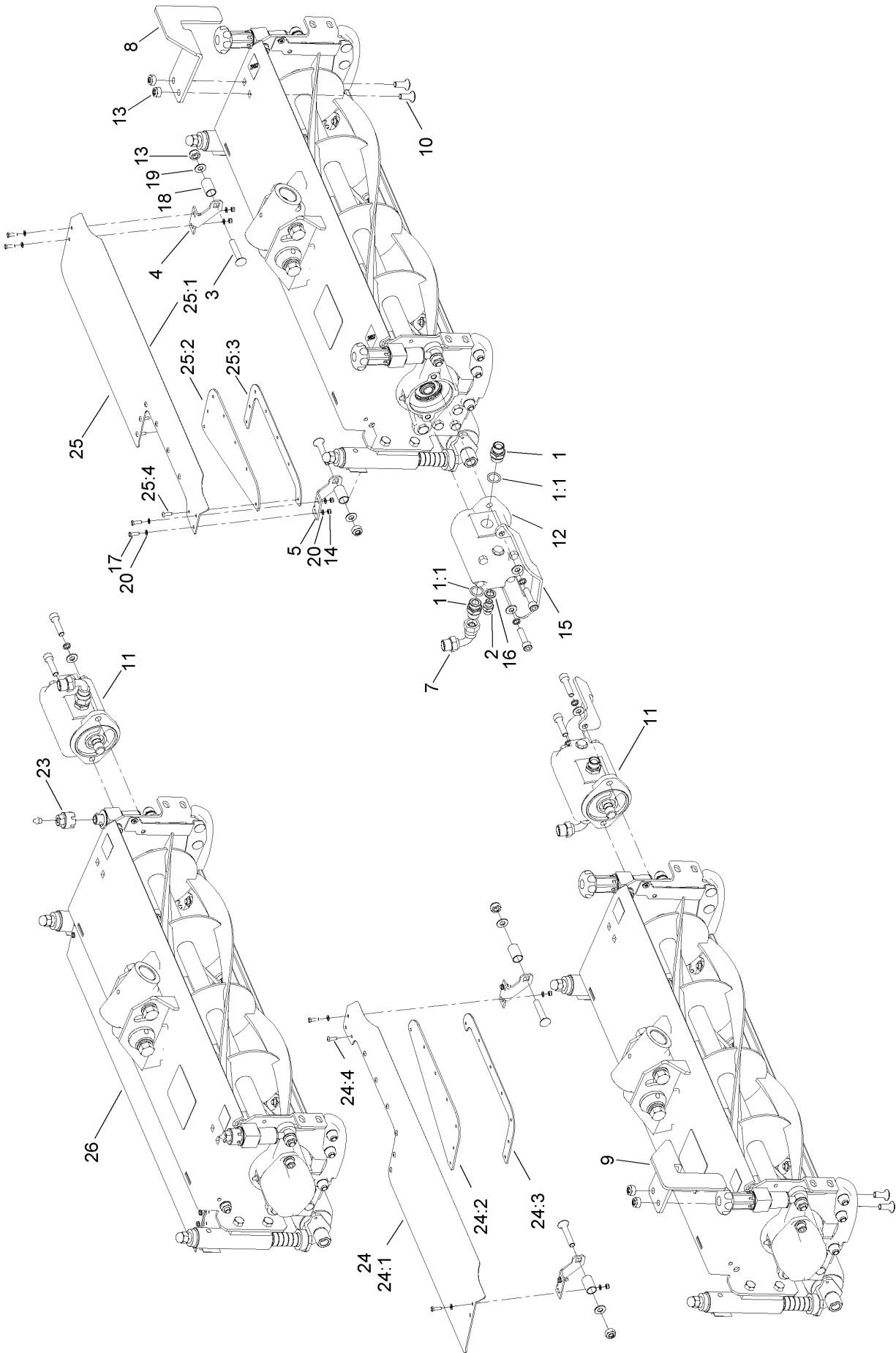


Loom Kit (continued)

<i>Ref.</i>	<i>Part Number</i>	<i>Qty.</i>	<i>Description</i>
1	111-6820	1	Kit-Loom
2	70-09-151	1	Fuse-15A
99	HY3966	30	Tie-Cable ●

● Not illustrated

Cutter Component Assembly

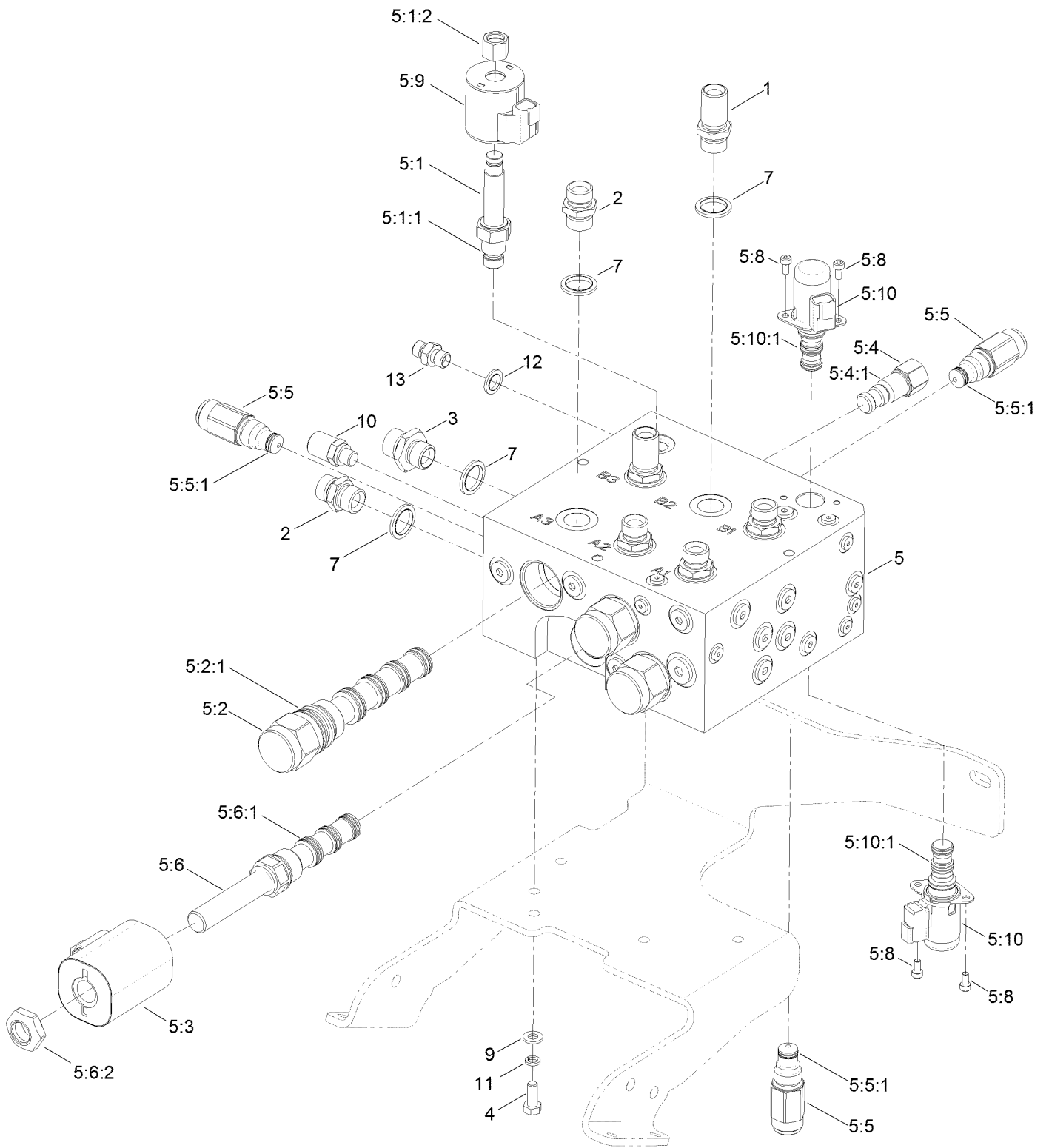


Cutter Component Assembly (continued)

<i>Ref.</i>	<i>Part Number</i>	<i>Qty.</i>	<i>Description</i>	<i>Ref.</i>	<i>Part Number</i>	<i>Qty.</i>	<i>Description</i>
1	63-06-104	6	Adaptor-Bsp	16	10-06-030	3	Seal-Dowty
1:1	63-06-111	1	Seal-O Ring	17	ZDH1E016U	12	Screw-HH
2	10-06-085	3	Adaptor	18	876049	6	Spacer-Deflector
3	ZBK1J055U	6	Bolt-CARR	19	09479	30	Washer
4	876041	3	Bracket-Deflector, LH	20	09470	24	Washer
5	876042	3	Bracket-Deflector, RH	21	HY922101	1	Spanner-Adjuster, Cutterhead ●
7	25-06-066	3	Elbow-Bsp	23	111-3927	2	Boss-Adjuster
8	876086W	1	Guard-HOC, LH	24	111-6873	1	Shield ASM
9	876087W	1	Guard-HOC, RH	24:1	111-6864-03	1	Deflector-Grass, RH
10	15-11-003	4	Bolt-CARR	24:2	111-6870	1	Panel-Rubber
11	910696	2	Hydraulic Motor Assembly (CW)	24:3	111-6871-03	1	Retainer
11:1	910704	1	Seal Kit ●	24:4	09320	7	Rivet
12	940602	1	Hydraulic Motor Assembly (CCW)	25	111-6872	1	Shield ASM
12:1	910704	1	Seal Kit ●	25:1	111-6863-03	1	Deflector-Grass, LH
13	ZNN1J000U	10	Nut-Hex, NI	25:2	111-6870	1	Panel-Rubber
14	09430	12	Nut-Nyloc	25:3	111-6871-03	1	Retainer
15	924420W	2	Guard-Motor	25:4	09320	7	Rivet
				26	876040W	1	Deflector-Rear

● Not illustrated

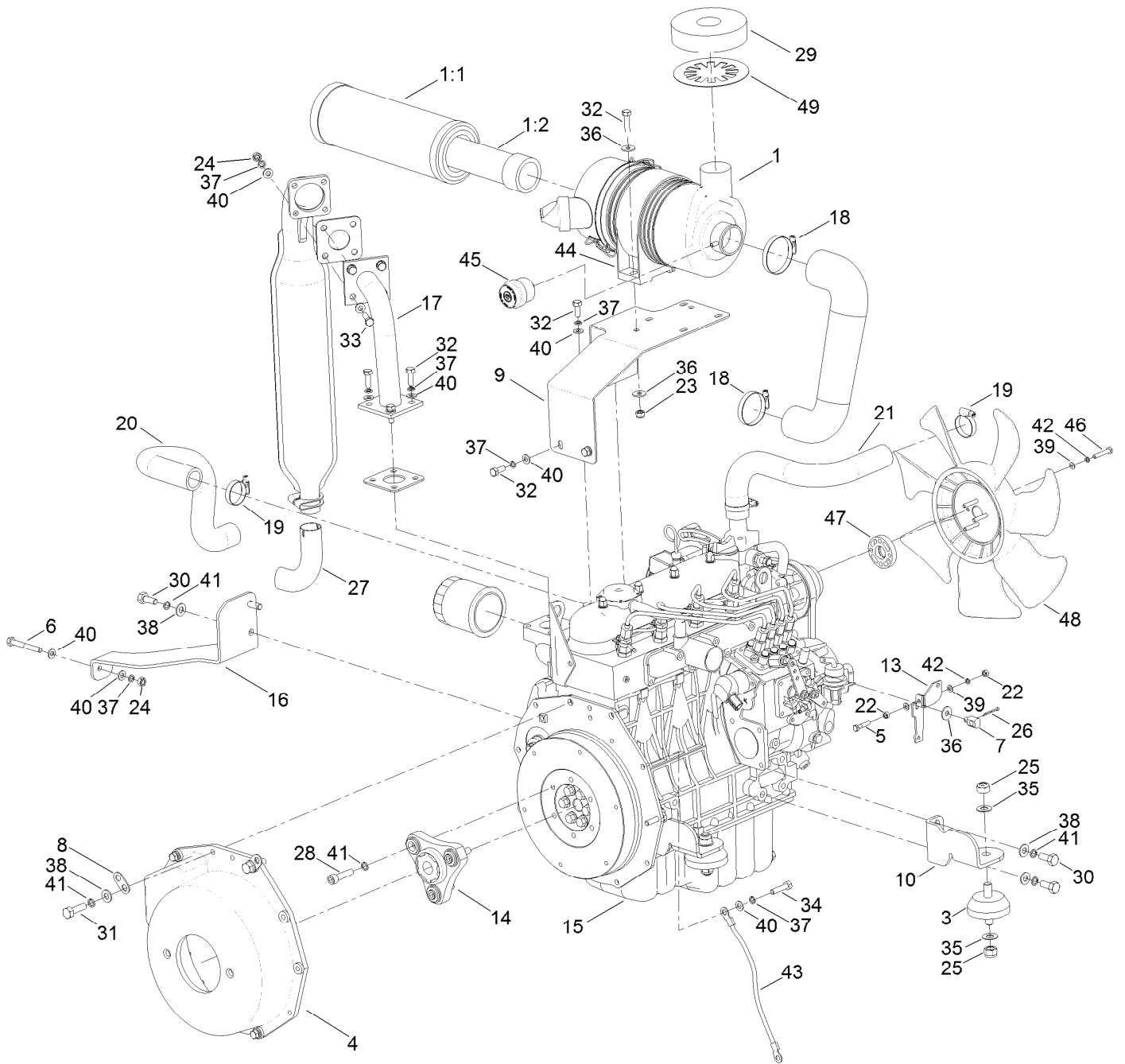
Cutter Control Manifold



Cutter Control Manifold (continued)

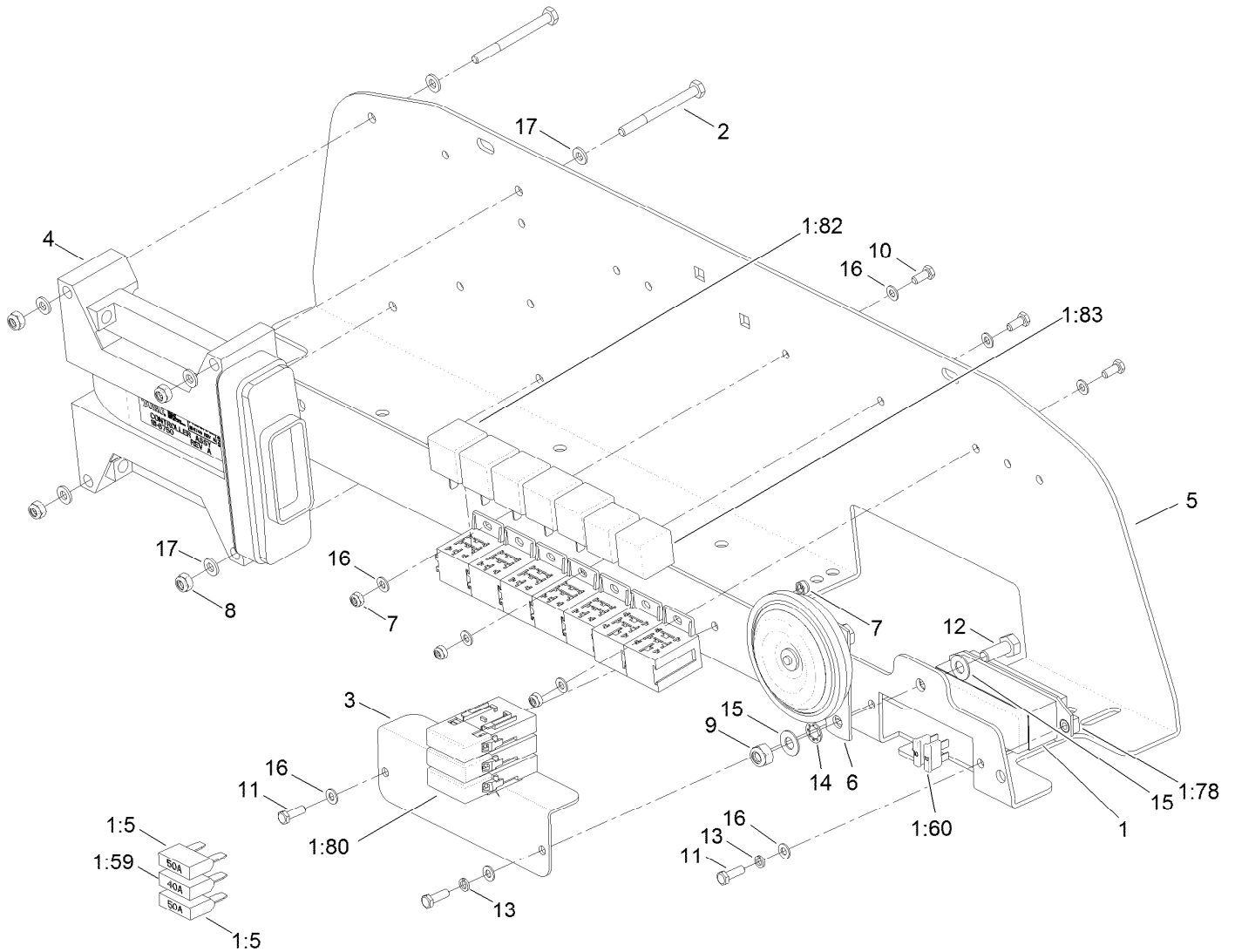
<i>Ref.</i>	<i>Part Number</i>	<i>Qty.</i>	<i>Description</i>	<i>Ref.</i>	<i>Part Number</i>	<i>Qty.</i>	<i>Description</i>
1	09-06-216	2	Adaptor-Bulkhead	5:5:1	111-6828	1	Seal Kit
2	10-06-078	5	Adaptor-Bspp	5:6	111-6835	1	Valve-Solenoid
3	950726	1	Adaptor-Bsp, 1/2 Inch	5:6:1	111-6836	1	Seal Kit
4	09368	3	Screw-HH	5:6:2	111-6840	1	Coil-Nut
5	111-6597	1	Cutters Manifold ASM	5:8	115-8733	6	Screw -HSH
5:1	111-6825	1	Pressure-Proportional, Relief Valve	5:9	119-4619	1	Coil-Solenoid
5:1:1	111-6826	1	Seal Kit	5:10	125-7554	3	Valve-Solenoid, 12 Vdc
5:1:2	119-2160	1	Nut-Coil	5:10:1	125-7561	1	Seal Kit
5:2	111-6829	3	Valve-Spool, Piloted	7	10-06-032	8	Seal-Dowty
5:2:1	111-6830	1	Seal Kit	9	ZWP1H000U	3	Washer-Plain
5:3	111-6831	1	Coil-12V	10	910615	1	Test Point-Bspp
5:4	111-6832	1	Logic Element-Vented	11	03469	3	Washer-Spring
5:4:1	111-6827	1	Seal Kit	12	10-06-030	1	Seal-Dowty
5:5	111-6833	3	Relief Valve	13	10-06-085	1	Adaptor

Engine and Mounting Assembly



Engine and Mounting Assembly (continued)

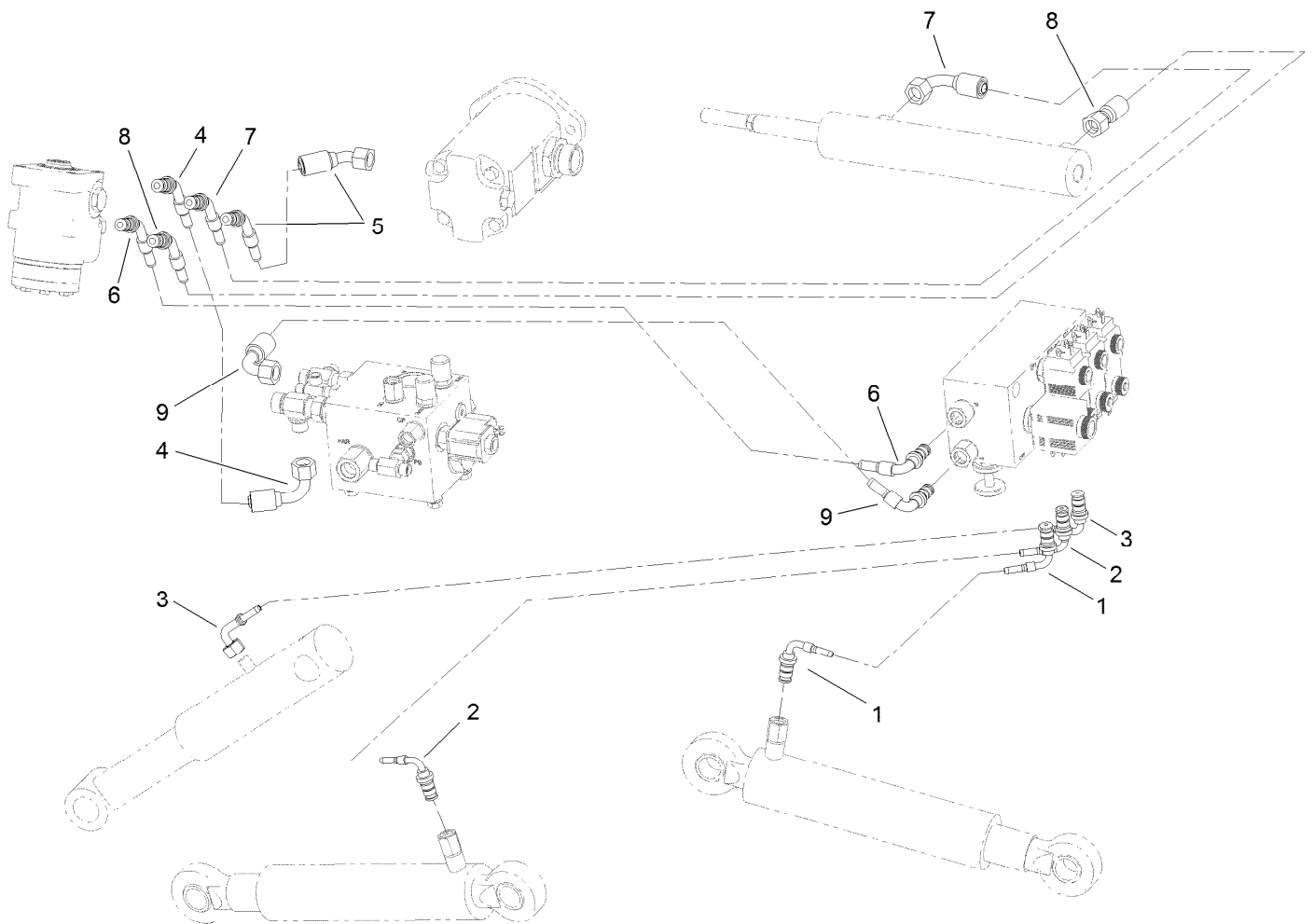
<i>Ref.</i>	<i>Part Number</i>	<i>Qty.</i>	<i>Description</i>	<i>Ref.</i>	<i>Part Number</i>	<i>Qty.</i>	<i>Description</i>
1	111-3805	1	Air Filter ASM	26	70-11-005	1	Pin-Split
1:1	111-3808	1	Filter-Element, Main	27	940213	1	Tail Pipe-Exhaust
1:2	111-3809	1	Filter-Element, Safety	28	111-3806	3	Screw-HSH
3	910816	4	Isomount-Engine	29	111-3555	1	Seal-Air Intake
4	922851	1	Housing-Bell	30	50-11-005	10	Screw-HH
5	09547	1	Screw-HH	31	111-0597	2	Screw-HH
6	09371	1	Bolt	32	03162	10	Screw-HH
7	111-3298	1	Pivot-Throttle, Boss	33	09369	4	Screw-HH
8	74-01-327	2	Bracket-Loom Tie	34	ZDH1H035U	8	Screw-HH
9	111-2588-03	1	Bracket-Air Cleaner	35	09283	8	Washer
10	111-3043-03	4	Bracket-Mount, Engine	36	09267	5	Washer
13	111-3299-03	1	Bracket-Throttle	37	03469	20	Washer-Spring
14	111-2556	1	Coupling	38	ZWQ1J000U	12	Washer-Plain
15	111-1290	1	Engine-Kubota, V1505-E2B-Hayter-1	39	ZWP1F000U	6	Washer-Plain
16	111-3045-03	1	Stay-Exhaust	40	ZWP1H000U	26	Washer-Plain
17	111-4012	1	Flange-Exhaust	41	09480	15	Washer-Spring
18	65-07-042	2	Clip-Hose	42	09474	5	Washer-Spring
19	924438	4	Clamp-Hose	43	70-09-023	1	Cable-Earth
20	111-2567	1	Hose-Bottom, Radiator	44	111-3807	1	Bracket-Mounting, Air Filter
21	910921	1	Hose-Top	45	953870	1	Indicator-Filter Blockage
22	09437	2	Nut	46	09645	4	Setscrew-HH
23	09441	2	Nut-Hex, NI	47	104-4247	1	Spacer-Fan
24	ZNH1H000U	5	Nut-Hex	48	110-0966	1	Fan-Cooling
25	09231	8	Nut-Hex, Nyloc	49	111-6937-03	1	Washer-Pad, Intake Air



Electrical Assembly

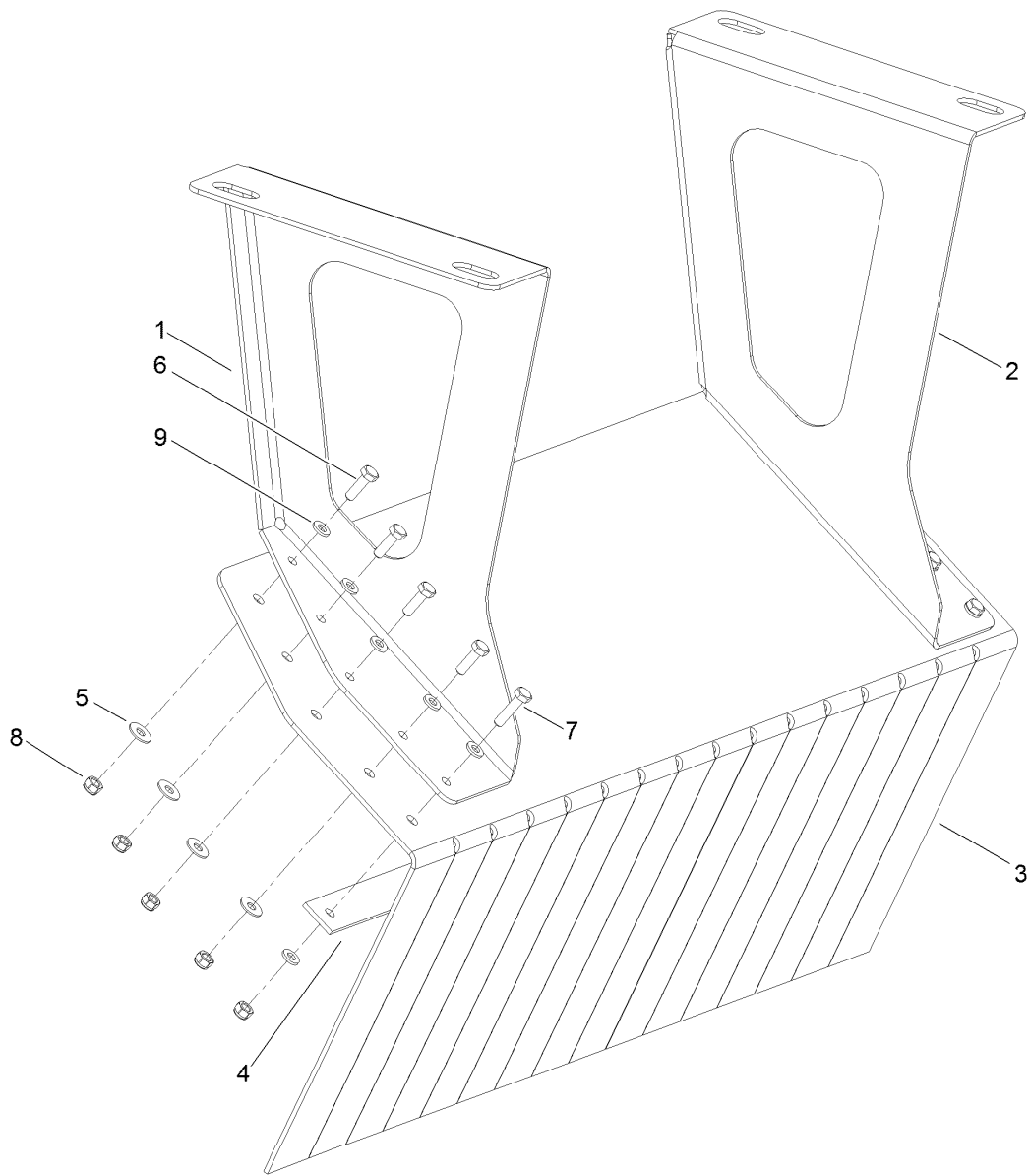
Ref.	Part Number	Qty.	Description	Ref.	Part Number	Qty.	Description
1	111-6461	1	Harness-Main	8	09438	4	Nut-Nyloc
1:5	995714	2	Fuse-50A, Maxifuse	9	09441	1	Nut-Hex, NI
1:59	111-2898	1	Fuse-40A, Maxifuse	10	ZDH1E012U	3	Screw-HH
1:60	70-09-026	3	Fuse-10A	11	ZDH1E016U	3	Screw-HH
1:78	70-09-096	1	Fuse Box-8 Way	12	09368	1	Screw-HH
1:80	111-0302	3	Cover-Maxifuse	13	09644	2	Washer-Spring
1:82	924625	1	Relay-70A	14	09476	2	Washer-Shakeproof
1:83	111-0336	1	Relay-30A	15	09475	2	Washer
2	09703	4	Bolt-HH	16	09470	10	Washer
3	111-4842-03	1	Bracket-Fuse	17	09472	8	Washer-Plain
4	111-6750	1	Controller ASM	99	111-3663	1	Heat Shrink ●
5	111-3037-03	1	Plate-Base, Electrical	99	111-6745	1	Harness-Manifold, Cutters ●
6	70-09-108	1	Horn ASM	99	111-6751	1	Harness-Solenoid, Reverse ●
7	09430	4	Nut-Nyloc				

● Not illustrated



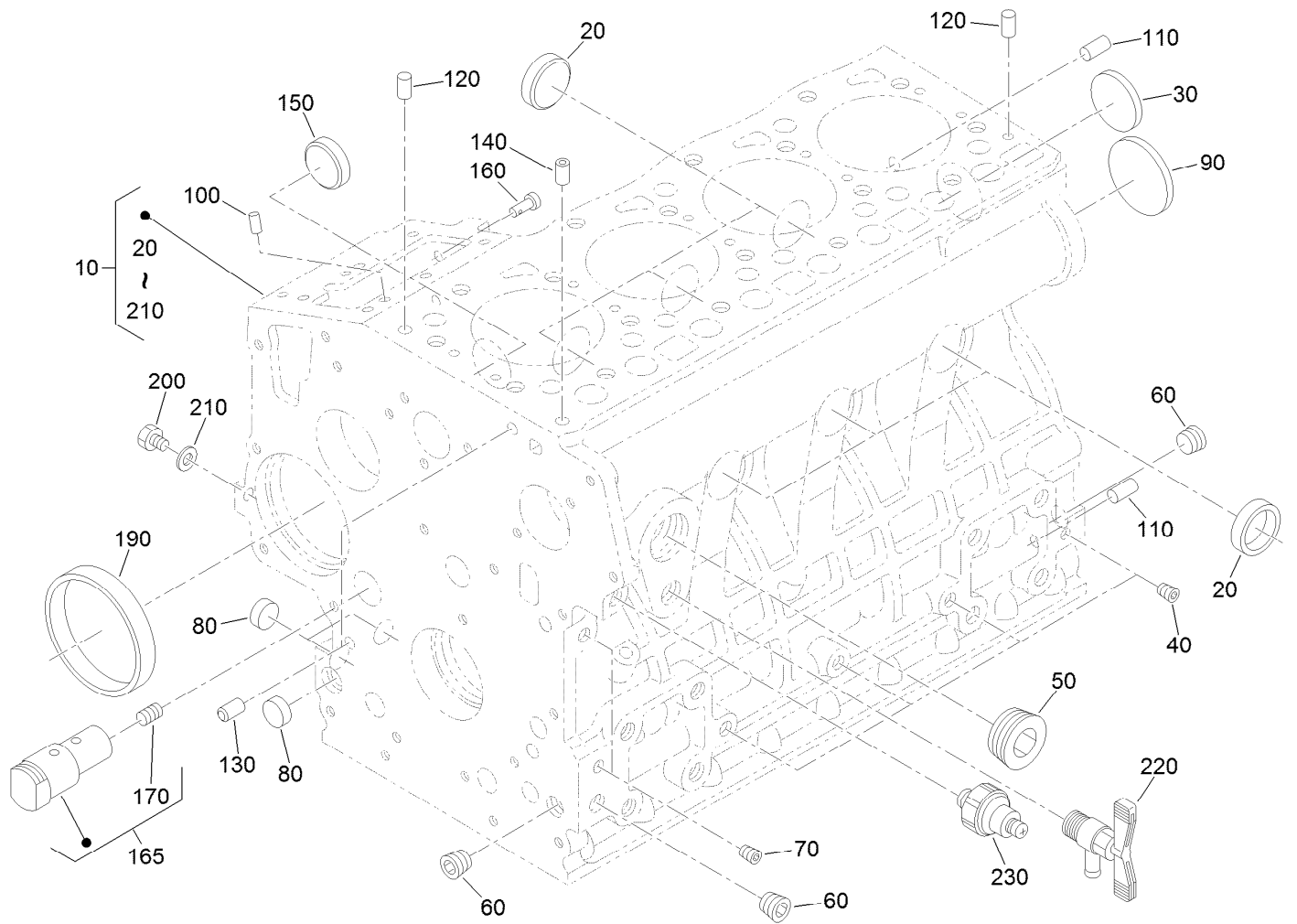
Lift / Steer Hydraulic Circuit Assembly

Ref.	Part Number	Qty.	Description
1	111-3602	1	Hose
2	111-3603	1	Hose
3	111-3611	1	Hose
4	111-3613	1	Hose
5	111-3614	1	Hose
6	111-3615	1	Hose
7	111-3616	1	Hose
8	111-3617	1	Hose
9	111-3618	1	Hose



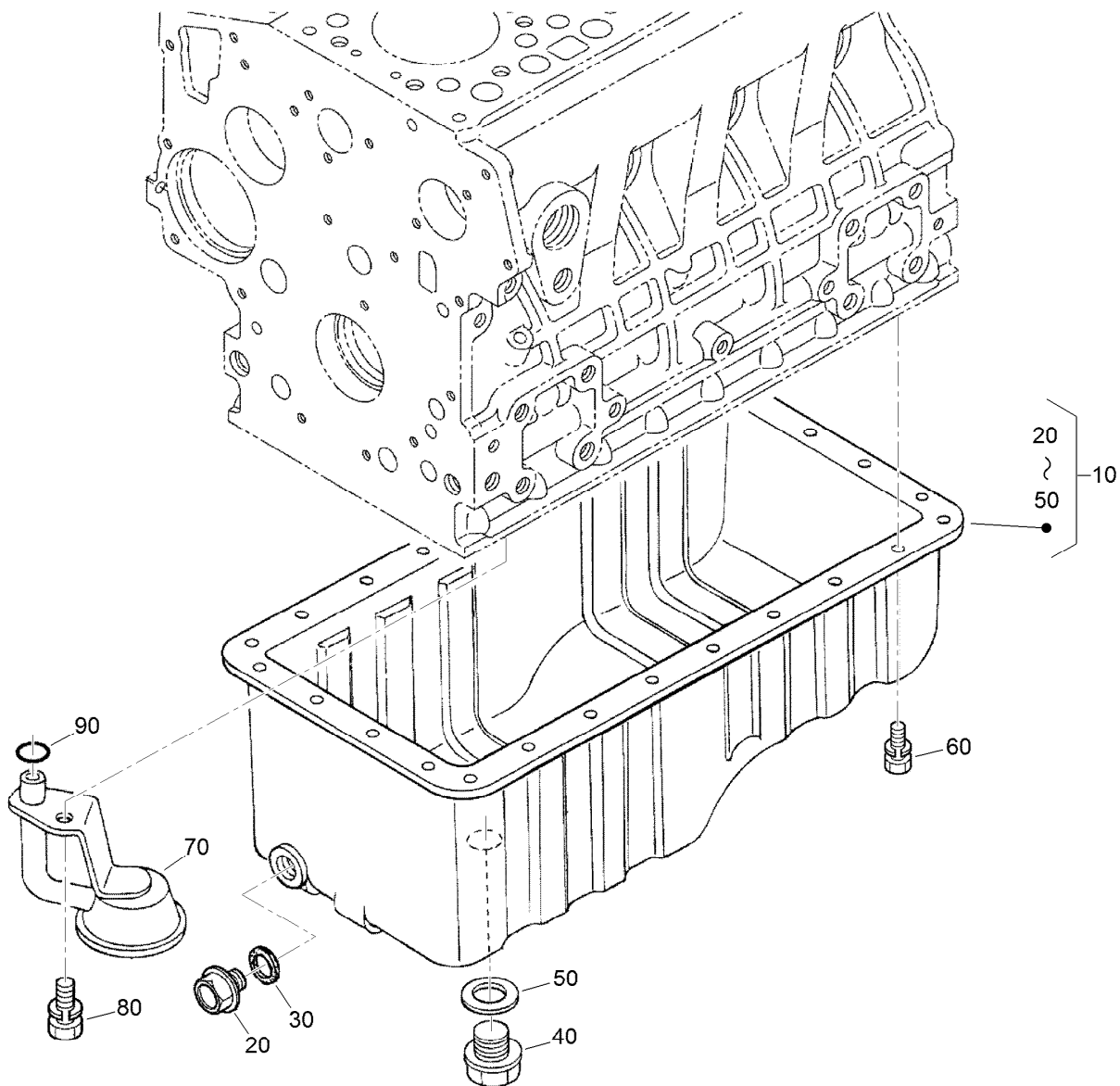
Center Flap Kit

<i>Ref.</i>	<i>Part Number</i>	<i>Qty.</i>	<i>Description</i>
1	111-6171-03	1	Mount-Flap, LH
2	111-6172-03	1	Mount-Flap, RH
3	111-6173	1	Deflector-Chassis, Wide
4	111-6183-03	1	Deflector-Chassis, Strap
5	09262	8	Washer
6	09363	8	Screw-HH
7	09364	2	Screw-HH
8	09438	10	Nut-Nyloc
9	09472	12	Washer-Plain



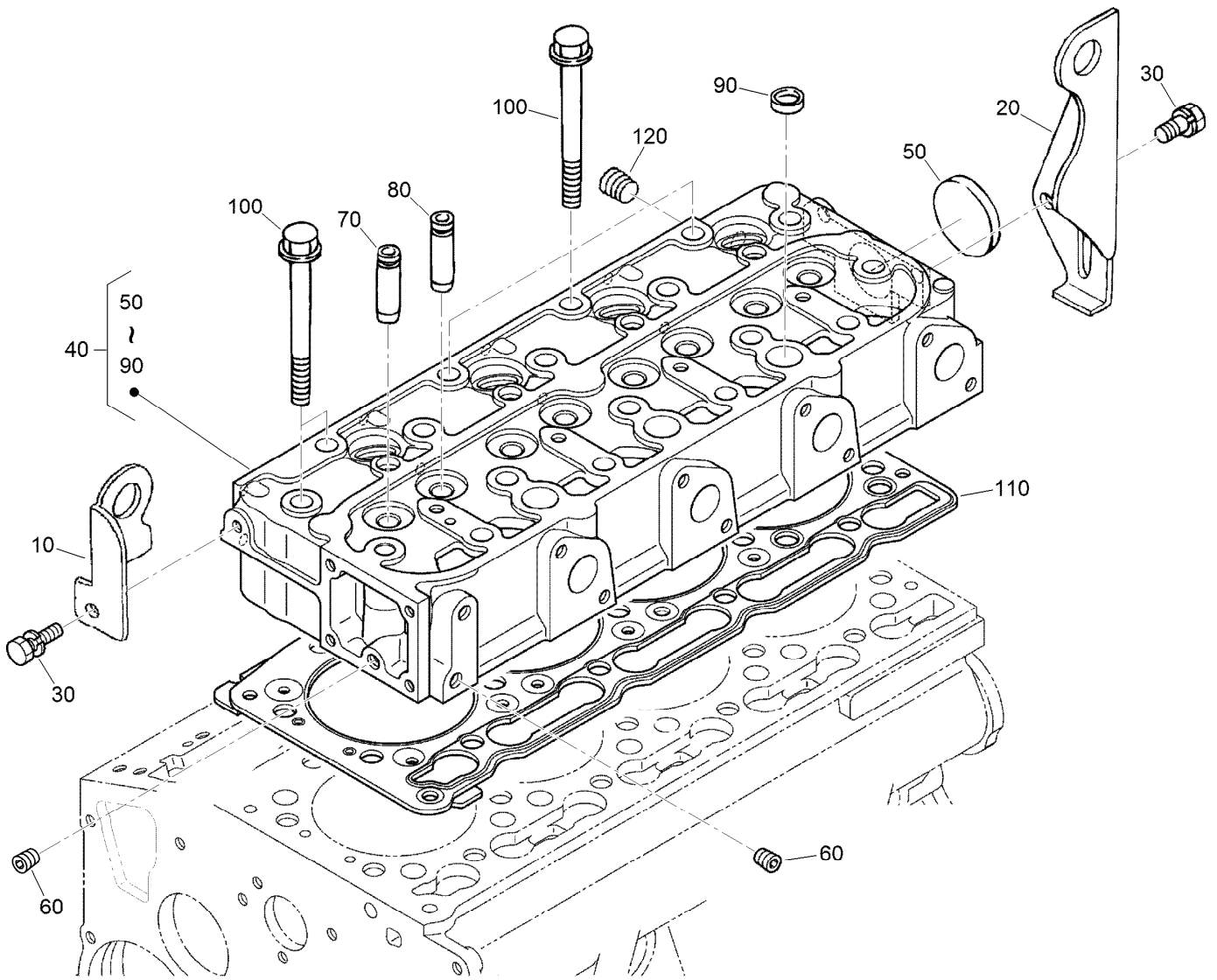
Crankcase Assembly

<i>Ref.</i>	<i>Part Number</i>	<i>Qty.</i>	<i>Description</i>	<i>Ref.</i>	<i>Part Number</i>	<i>Qty.</i>	<i>Description</i>
10	120-2558	1	Crankcase ASM	130	98-9387	2	Pin-Pipe
20	98-9398	6	Cap-Sealing	140	98-9539	1	Pin-Pipe
30	98-7539	1	Cap-Sealing	150	98-9599	1	Plug
40	98-9687	4	Plug	160	105-3796	1	Pin-Spring, Start
50	105-3779	1	Plug	165	130-1237	1	Idler Shaft ASM
60	98-9597	3	Plug	170	98-9675	1	Plug
70	98-7487	2	Plug	190	98-9656	1	Bushing-Governor, Gear
80	98-9379	3	Plug-Expansion	200	120-2559	1	Plug
90	98-9668	1	Plug-Expansion	210	98-7428	1	Gasket
100	98-9375	2	Pin-Straight	220	120-3121	1	Draincock ASM
110	98-9377	2	Pin-Straight	230	98-7764	1	Switch-Oil
120	98-9376	2	Pin-Straight				



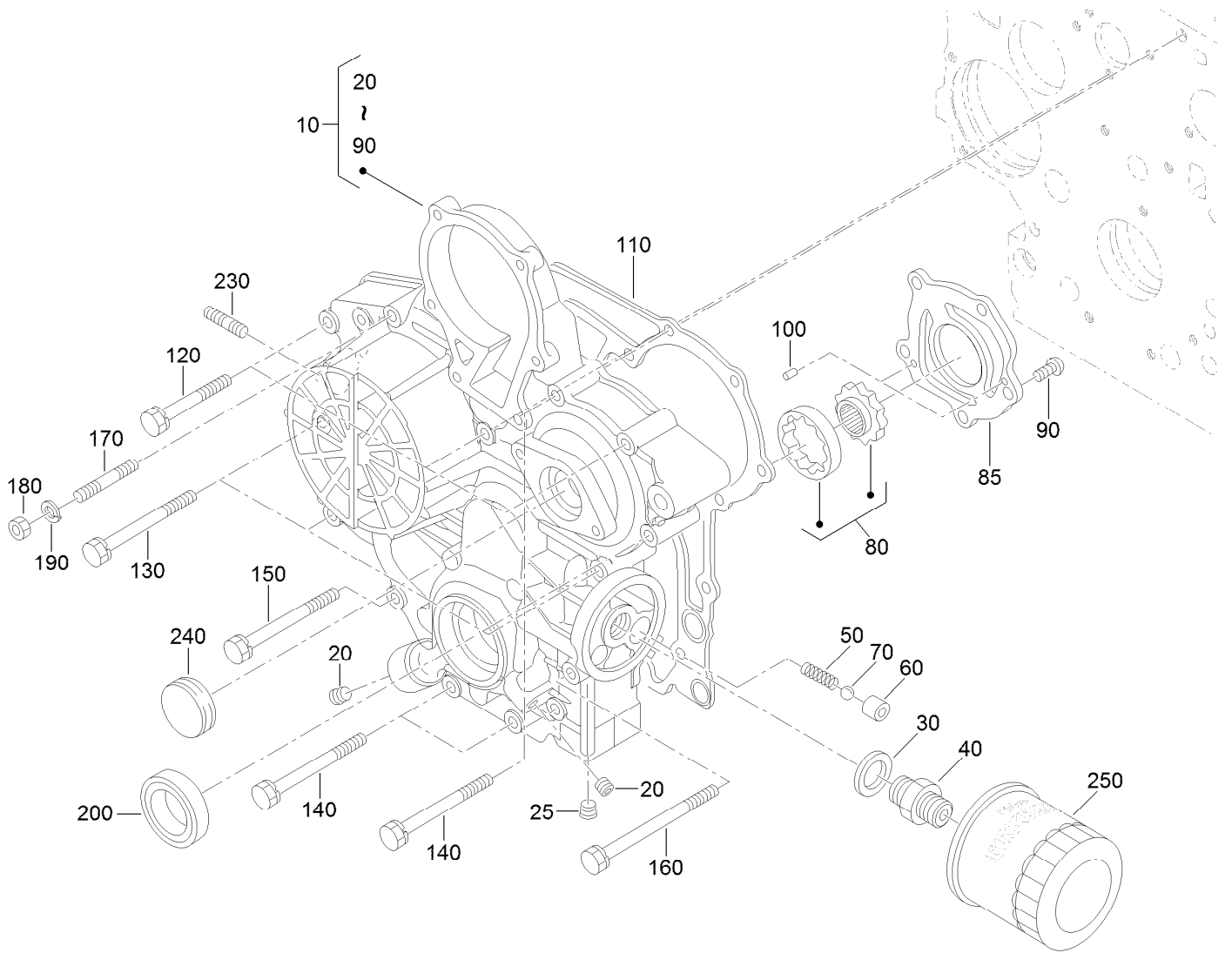
Oil Pan and Oil Pump Assembly

Ref.	Part Number	Qty.	Description
10	130-1283	1	Oil Pan Kit
20	114-8151	1	Plug-Drain
30	98-7524	1	Gasket
40	105-3703	1	Plug-Drain
50	110-9715	1	Gasket-Pan, Oil
60	98-9351	26	Bolt
70	115-4116	1	Filter-Oil
80	98-7526	1	Bolt
90	105-3776	1	O-Ring



Cylinder Head Assembly

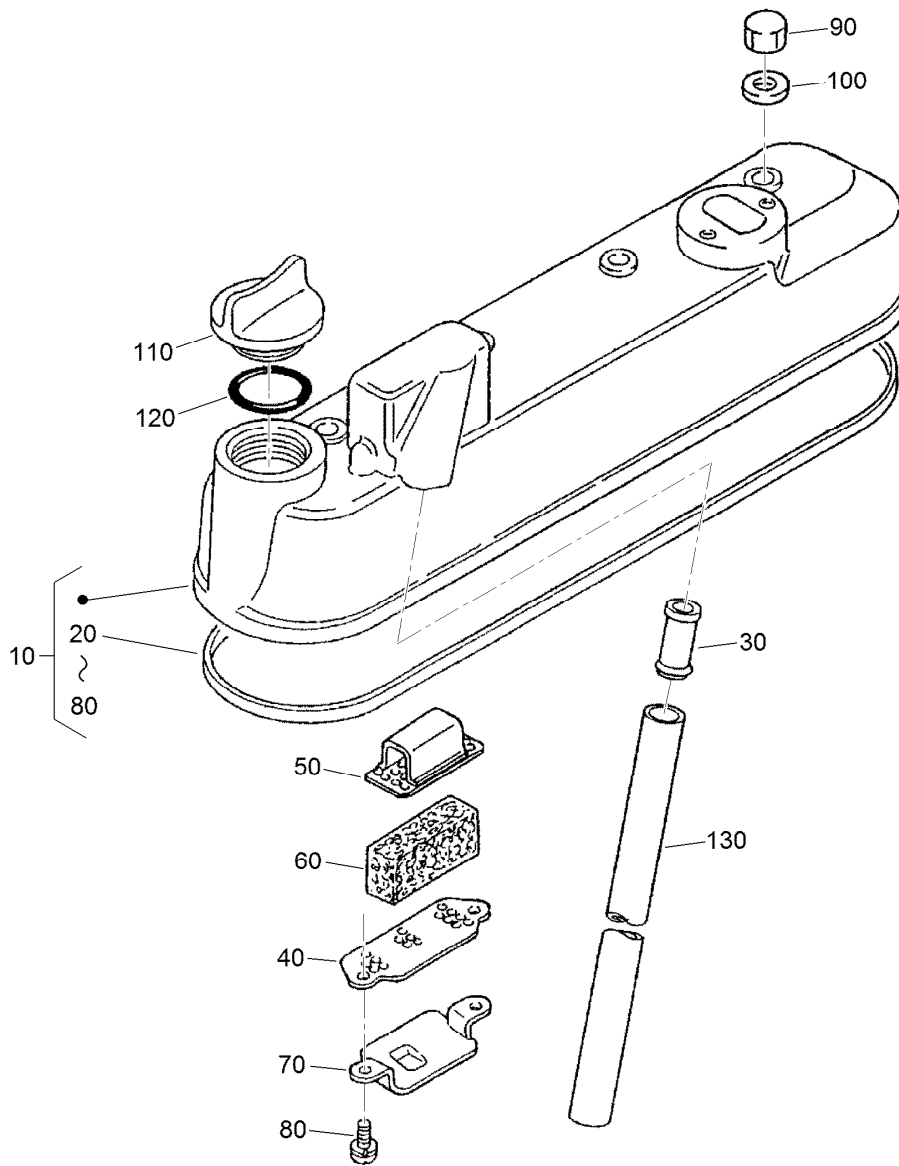
<i>Ref.</i>	<i>Part Number</i>	<i>Qty.</i>	<i>Description</i>
10	130-1231	1	Hook-Engine
20	98-9478	1	Hook-Engine
30	100-9195	2	Bolt
40	130-1382	1	Cylinder Head ASM
50	105-3705	1	Cap-Sealing
60	98-9687	2	Plug
70	107-9066	4	Guide-Valve, Inlet
80	107-9067	4	Guide-Valve, Exhaust
90	98-9389	3	Cap-Sealing
100	98-9479	18	Bolt-Head, Cylinder
110	127-0434	1	Gasket-Head, Cylinder
120	98-9444	1	Plug



Gear Case and Oil Filter Cartridge Assembly

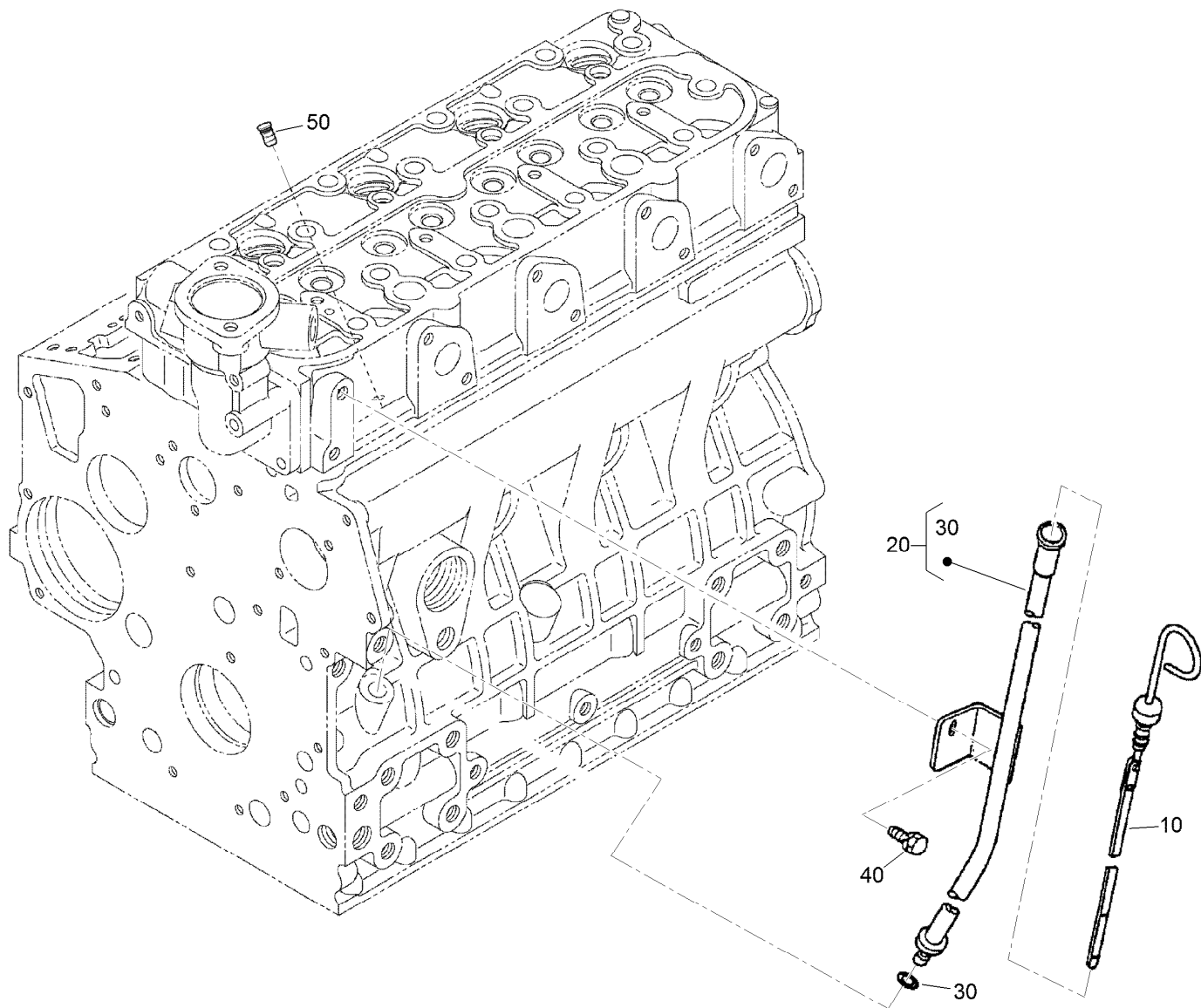
<i>Ref.</i>	<i>Part Number</i>	<i>Qty.</i>	<i>Description</i>
10	130-1243	1	Gear Case ASM
20	98-9598	2	Plug
25	98-7487	1	Plug
30	98-7562	1	Washer-Plain
40	98-9388	1	Joint-Pipe
50	130-1511	1	Spring
60	130-1510	1	Valve-Relief
70	98-9380	1	Ball
80	130-1508	1	Rotor ASM
85	130-1509	1	Cover-Pump, Oil
90	130-1164	5	Screw-Binding
100	107-9072	2	Pin-Straight
110	98-9633	1	Gasket-Case, Gear

<i>Ref.</i>	<i>Part Number</i>	<i>Qty.</i>	<i>Description</i>
120	100-1765	3	Bolt
130	125-9063	4	Bolt-Sems
140	98-9356	4	Bolt
150	107-9074	1	Bolt
160	98-9586	1	Bolt
170	105-3709	1	Stud
180	100-2203	1	Nut-Flange
190	98-7699	1	Washer-Spring
200	119-8038	1	Seal-Oil
230	105-3710	2	Stud
240	98-9641	1	Cover-Case, Gear
250	130-1569	1	Cartridge-Filter, Oil



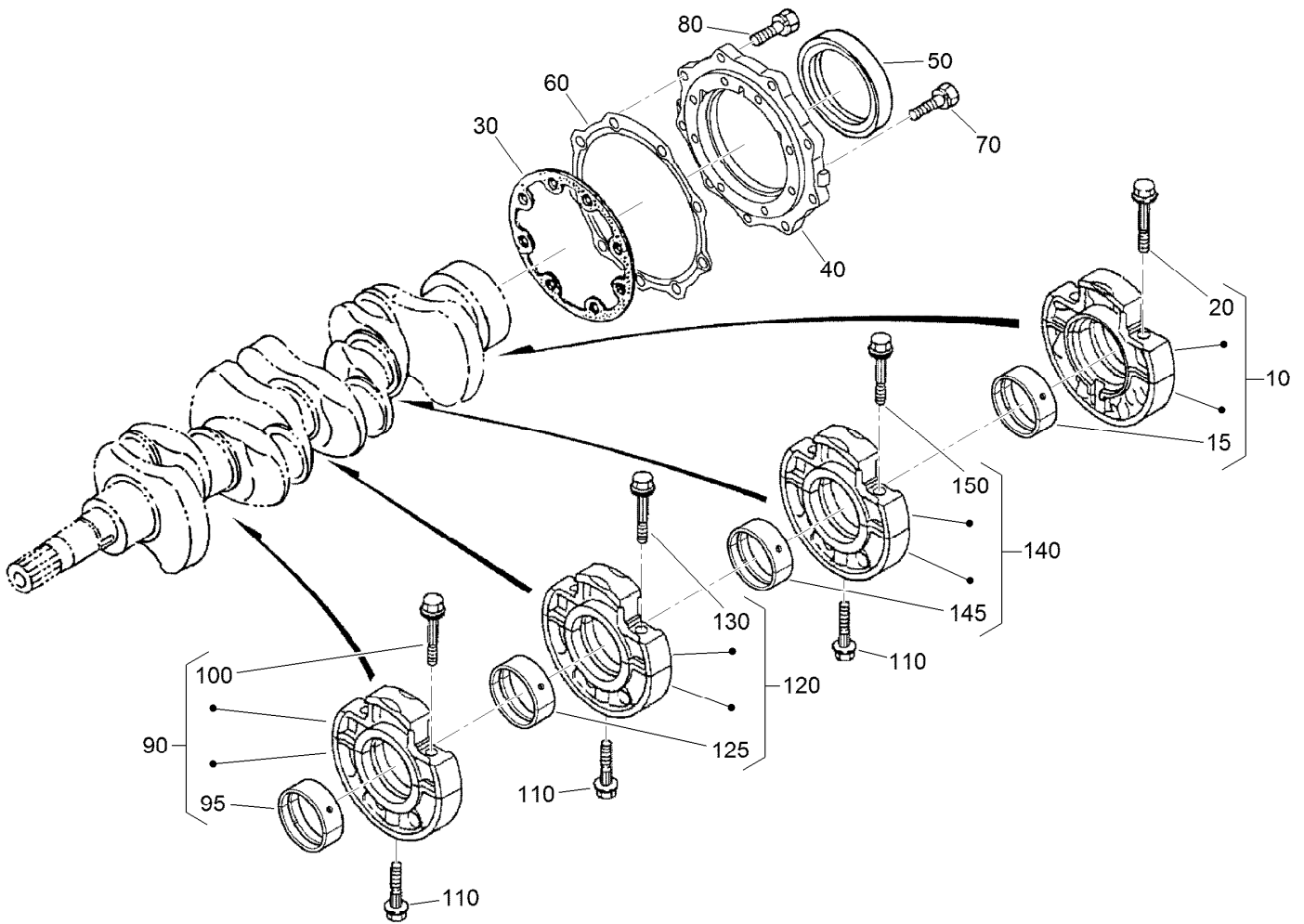
Cylinder Head Cover Assembly

Ref.	Part Number	Qty.	Description
10	105-3711	1	Cylinder Head Cover ASM
20	105-3712	1	Gasket-Cover, Head
30	98-9492	1	Joint-Pipe, Breather
40	98-9488	1	Plate-Element, Breather
50	98-9489	1	Plate-Element, Breather
60	98-9493	1	Element-Breather
70	98-9490	1	Shield-Oil, Breather
80	98-9364	2	Screw (With Washer)
90	98-9455	4	Nut-Cap
100	98-9454	4	Gasket
110	107-9075	1	Plug-Filler, Oil
120	99-3446	1	O-Ring
130	98-9491	1	Pipe-Breather



Dipstick and Guide Assembly

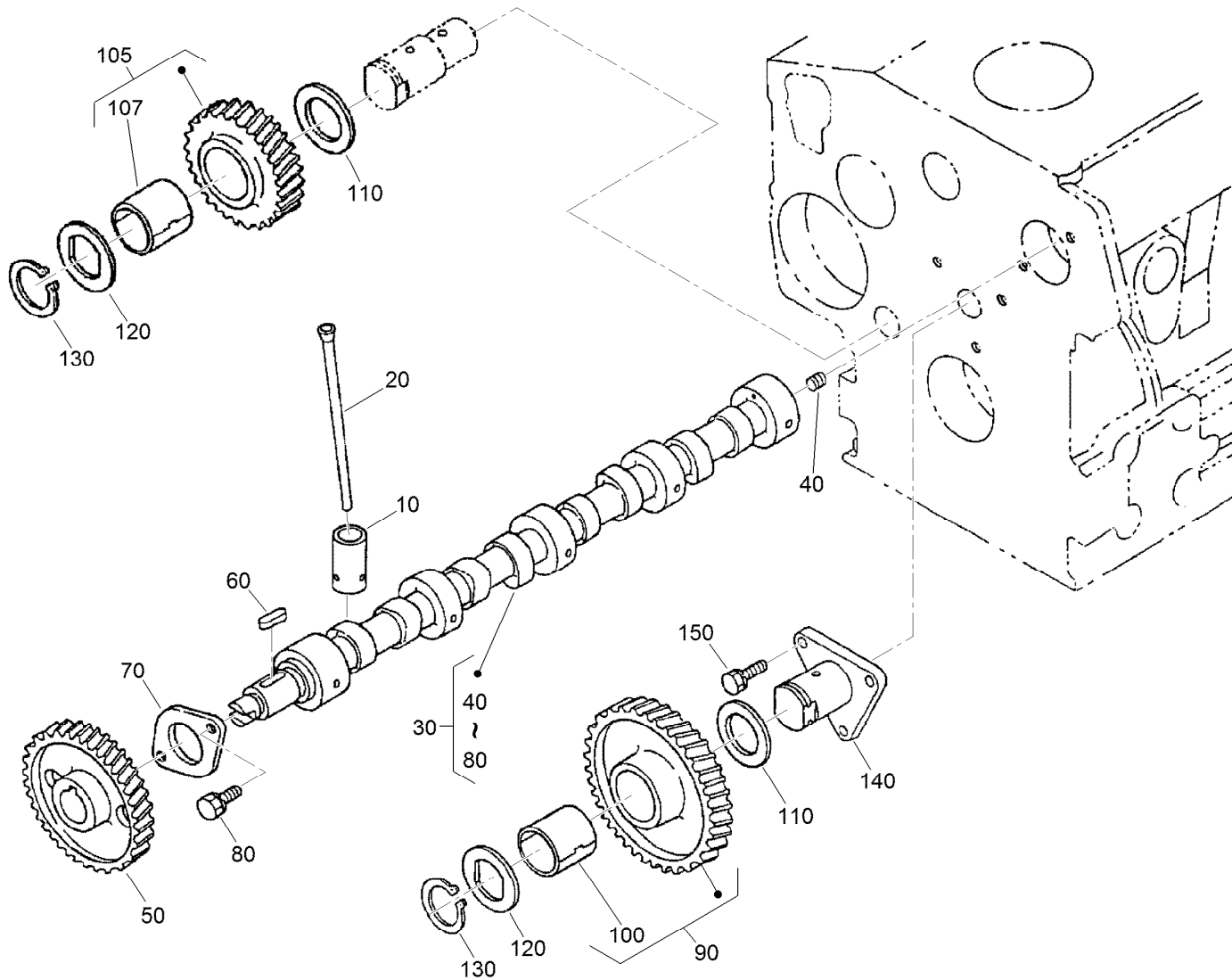
<i>Ref.</i>	<i>Part Number</i>	<i>Qty.</i>	<i>Description</i>
10	120-3124	1	Gauge-Oil
20	98-9672	1	Oil Gauge Guide ASM
30	98-9722	1	O-Ring
40	100-9195	1	Bolt
50	110-3720	1	Plug-Gauge, Oil



Main Bearing Case Assembly

<i>Ref.</i>	<i>Part Number</i>	<i>Qty.</i>	<i>Description</i>
10	112-7026	1	Wheel Bearing Case ASM
15	115-4121	1	Metal-Crankshaft (STD)
20	98-9484	2	Bolt-Case, Bearing
30	127-0440	1	Gasket-Case, Bearing
40	112-7046	1	Cover-Case, Bearing
50	112-0180	1	Seal-Oil
60	112-7037	1	Gasket-Cover, Case
70	127-0441	8	Bolt
80	127-0442	9	Bolt
90	115-4106	1	Main Bearing Case ASM

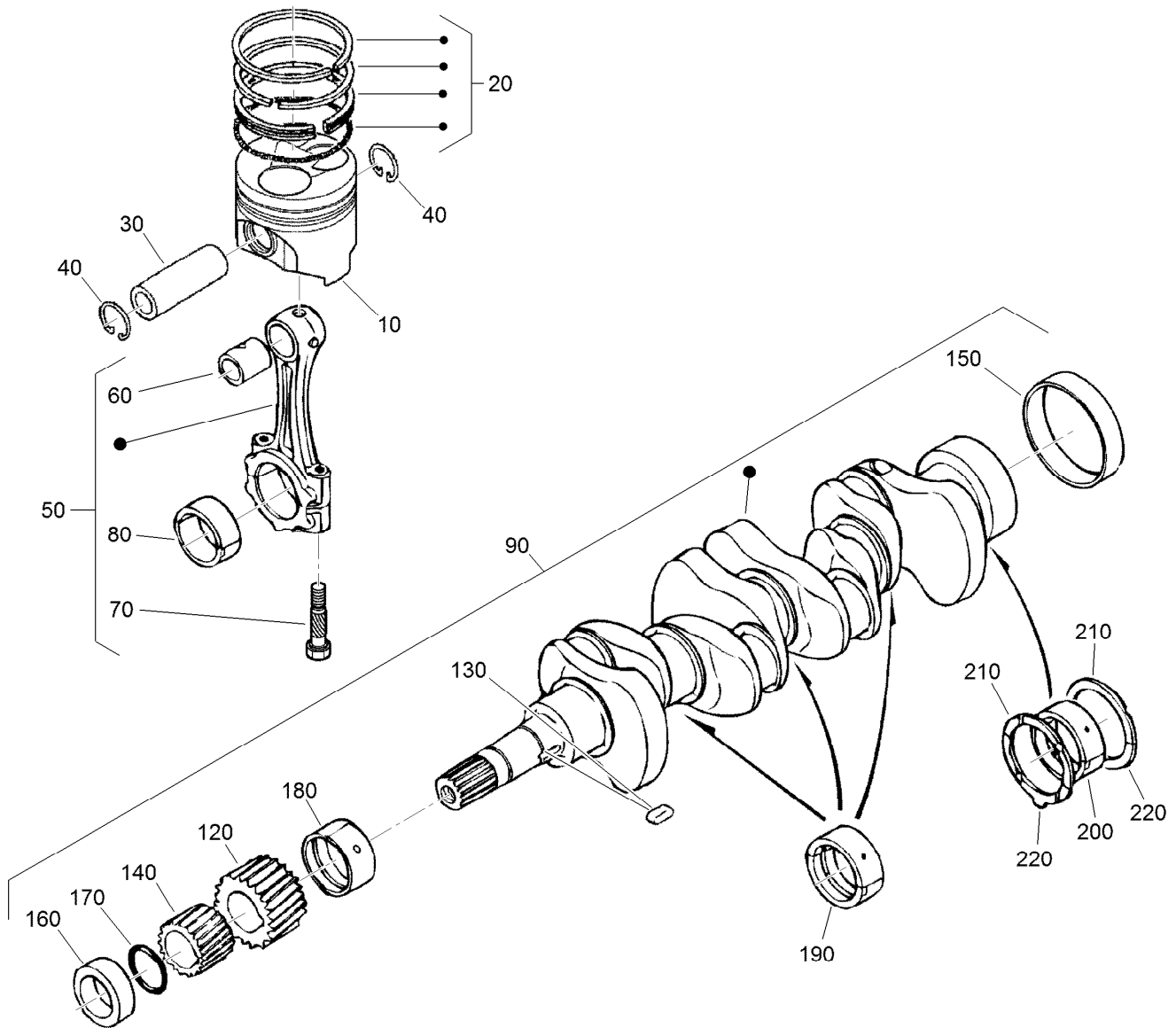
<i>Ref.</i>	<i>Part Number</i>	<i>Qty.</i>	<i>Description</i>
95	98-9524	1	Metal-Crankshaft (STD Set)
100	98-9484	2	Bolt-Case, Bearing
110	98-9485	3	Bolt-Case, Bearing
120	115-4107	1	Main Bearing Case ASM
125	98-9524	1	Metal-Crankshaft (STD Set)
130	98-9484	2	Bolt-Case, Bearing
140	130-1265	1	Main Bearing Case ASM
145	98-9524	1	Metal-Crankshaft (STD Set)
150	98-9484	2	Bolt-Case, Bearing



Camshaft and Idle Gear Shaft Assembly

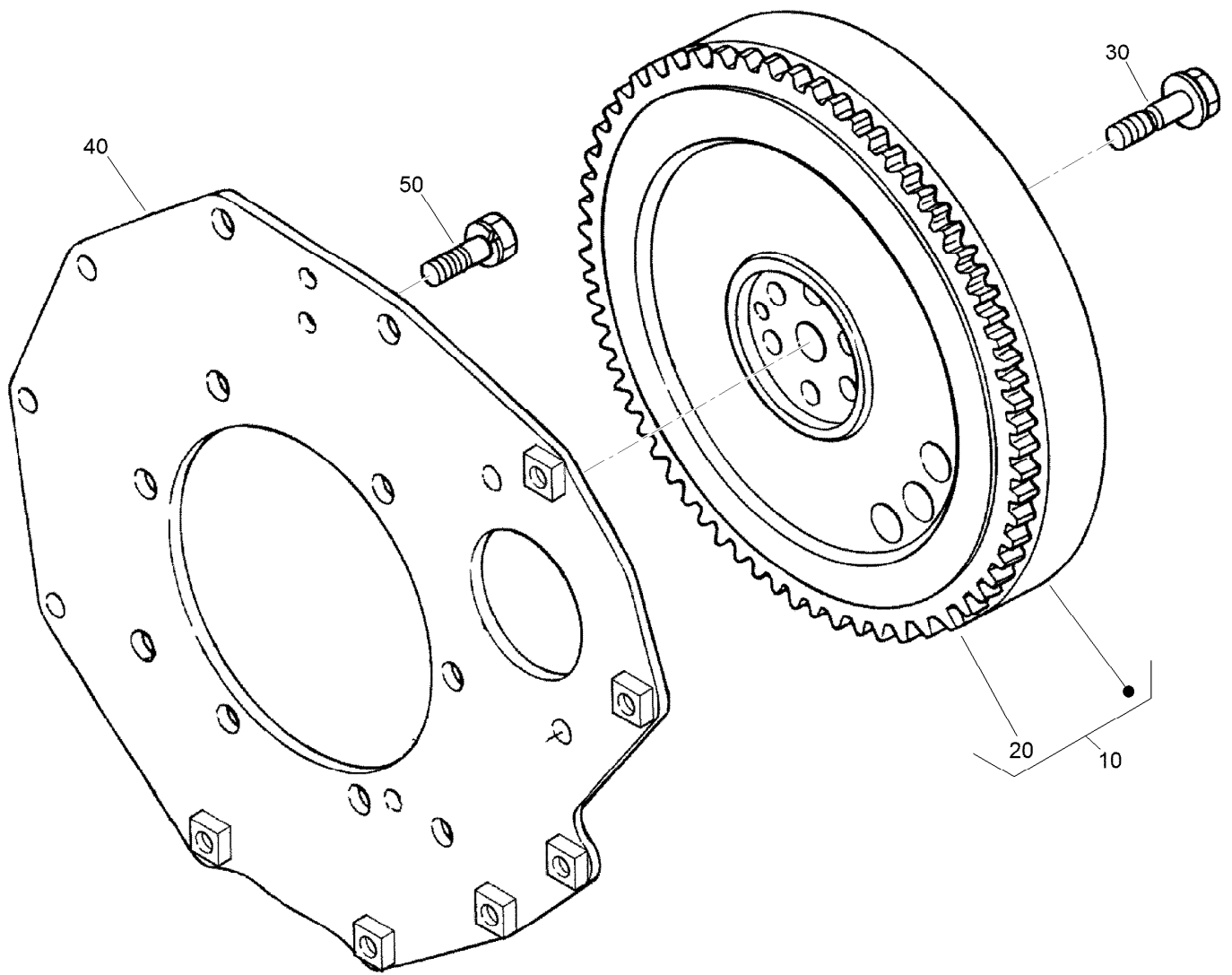
Ref.	Part Number	Qty.	Description
10	112-0185	8	Tappet
20	127-0421	8	Rod-Push
30	120-3116	1	Camshaft ASM
40	110-3729	1	Ball
50	98-9512	1	Gear-Cam
60	98-9378	1	Key-Feather
70	98-9510	1	Stopper-Camshaft
80	98-7692	2	Bolt
90	117-7584	1	Idler Gear ASM

Ref.	Part Number	Qty.	Description
100	117-7585	1	Bushing-Gear, Idle
105	130-1259	1	Idler Gear ASM
107	117-7585	1	Bushing-Gear, Idle
110	98-9535	1	Collar-Gear, Idle
120	98-9536	1	Collar-Gear, Idle
130	98-9534	1	Circlip-Gear, Idle
140	98-9533	1	Shaft-Gear, Idle
150	98-7692	3	Bolt



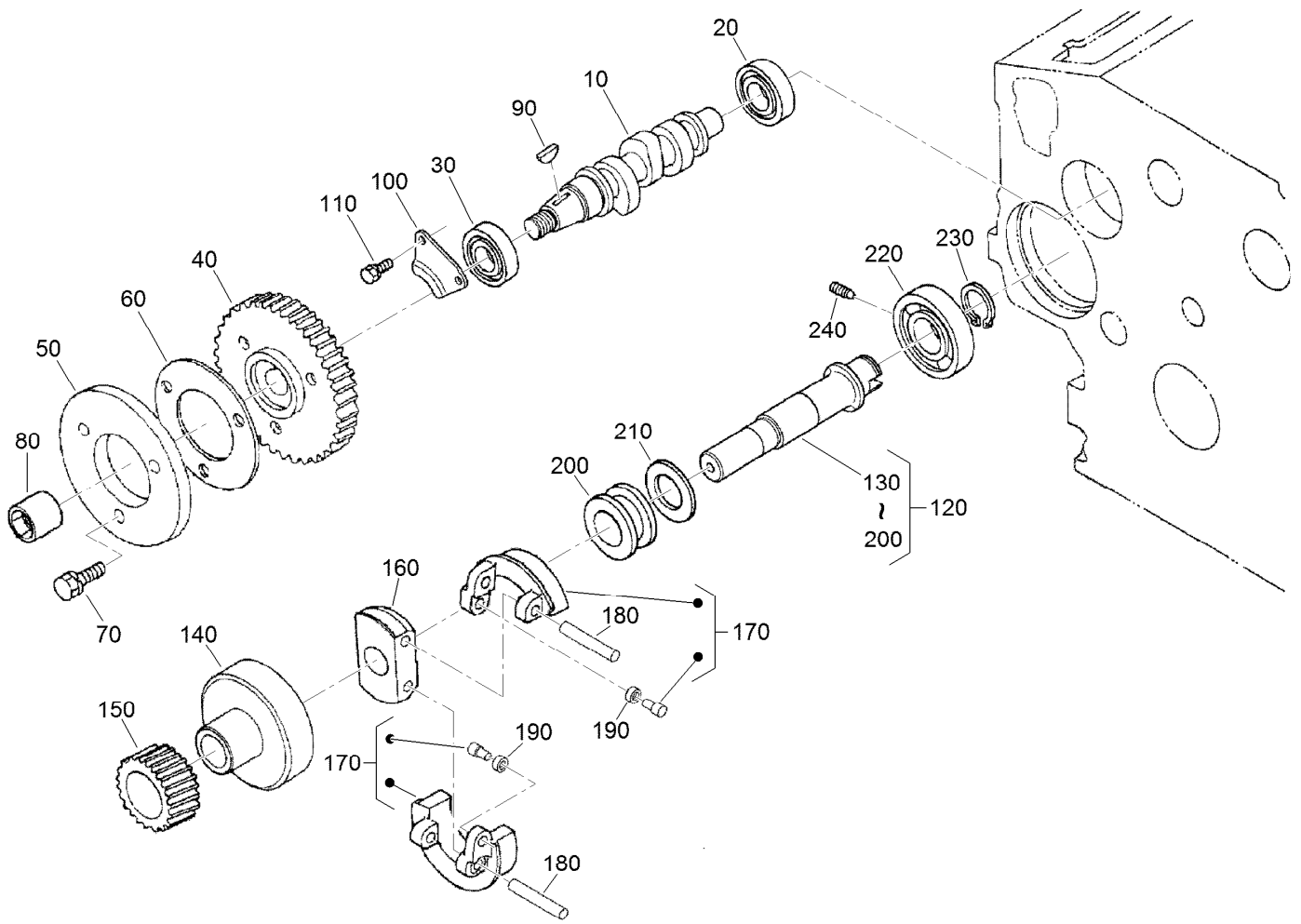
Piston and Crankshaft Assembly

<i>Ref.</i>	<i>Part Number</i>	<i>Qty.</i>	<i>Description</i>	<i>Ref.</i>	<i>Part Number</i>	<i>Qty.</i>	<i>Description</i>
10	112-8404	4	Piston (STD)	160	127-0444	1	Collar-Crankshaft
10	112-8414	4	Piston (+0.5Mm)	170	105-3783	1	O-Ring
20	98-9551	4	Piston Ring ASM (STD)	180	112-7005	1	Bearing-Main (STD)
20	108-1404	4	Piston Ring ASM (0.5Mm)	180	98-9528	1	Bearing-Main (-0.2Mm)
30	98-9513	4	Pin-Piston	180	130-1274	1	Metal-Crankshaft (-0.40Mm)
40	98-9514	8	Circlip-Pin, Piston	190	98-9524	3	Metal-Crankshaft (STD Set)
50	117-7586	4	Connecting Rod ASM	190	127-0433	3	Metal-Crankshaft (-0.2Mm)
60	115-3014	4	Bushing-Pin, Piston	190	98-9531	3	Bearing-Main (0.4Mm)
70	98-9517	8	Bolt-Rod, Connecting	200	115-4121	1	Metal-Crankshaft (STD)
80	98-9553	4	Bearing-Rod (STD)	200	112-7039	1	Metal-Crankshaft (0.2Mm)
80	117-7587	4	Metal-Crankpin (-0.2Mm)	200	112-7040	1	Metal-Crankshaft (-0.4Mm)
80	117-7588	4	Metal-Crankpin (-0.4Mm)	210	98-9413	2	Bearing-Thrust (STD)
90	120-2561	1	Crankshaft ASM	210	127-0416	2	Metal-Side (+0.2Mm)
120	117-7561	1	Gear-Crankshaft	210	127-0417	2	Metal-Side (+0.40Mm)
130	98-9666	1	Key	220	98-9688	2	Bearing-Thrust (STD)
140	127-0445	1	Gear-Drive, Oil Pump	220	127-0437	2	Metal-Side (+0.2Mm)
150	98-9522	1	Sleeve-Crankshaft	220	127-0438	2	Metal-Side (+0.40Mm)



Flywheel Assembly

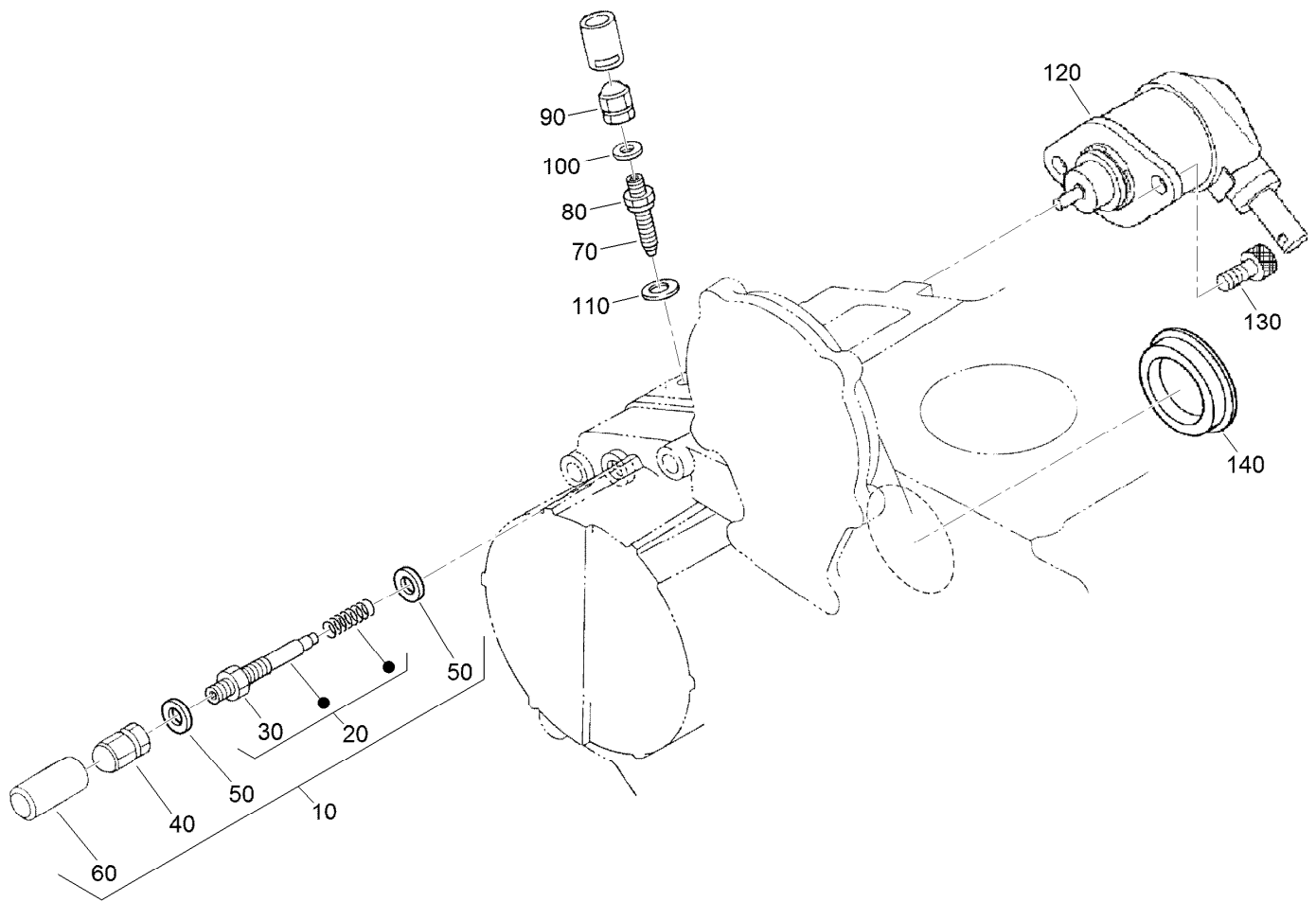
<i>Ref.</i>	<i>Part Number</i>	<i>Qty.</i>	<i>Description</i>
10	105-3721	1	Flywheel ASM
20	115-3015	1	Gear-Ring
30	98-9537	6	Bolt-Flywheel
40	98-9486	1	Plate-End, Rear
50	98-9392	8	Bolt



Fuel Camshaft and Governor Shaft Assembly

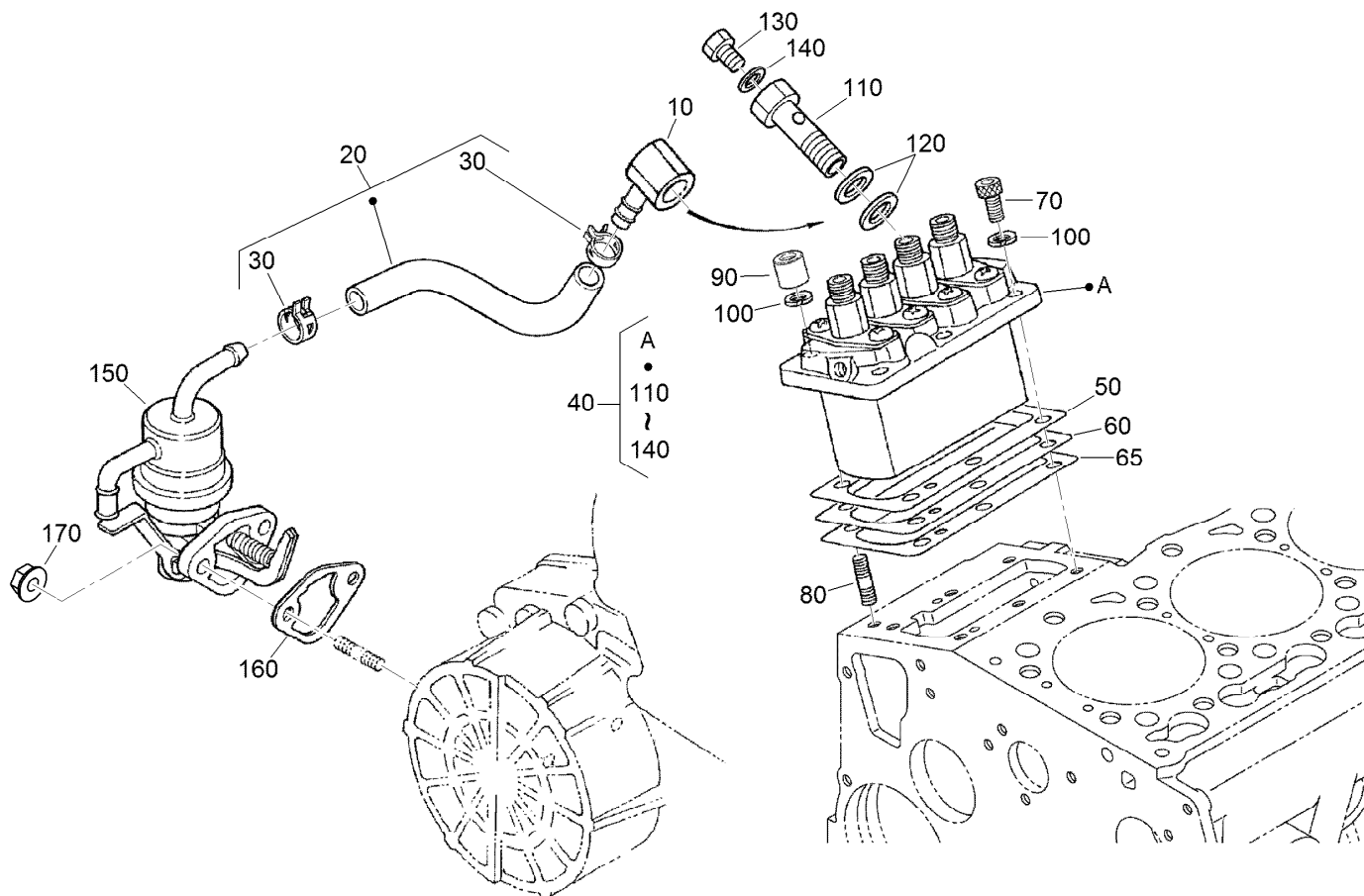
<i>Ref.</i>	<i>Part Number</i>	<i>Qty.</i>	<i>Description</i>
10	105-3723	1	Camshaft-Fuel
20	107-9077	1	Bearing-Ball
30	107-9078	1	Bearing-Ball
40	98-9669	1	Gear-Pump, Injection
50	130-1239	1	Cam-Fuel
60	98-9548	1	Washer
70	98-9350	3	Bolt
80	130-1512	1	Nut
90	98-9595	1	Key-Woodruff
100	98-9511	1	Stopper-Fuel, Camshaft
110	98-7692	2	Bolt
120	130-1266	1	Governor Shaft ASM

<i>Ref.</i>	<i>Part Number</i>	<i>Qty.</i>	<i>Description</i>
130	105-3725	1	Shaft, Governor
140	98-9562	1	Holder-Gear, Governor
150	98-9673	1	Gear-Governor
160	98-9561	1	Holder-Weight, Governor
170	130-1240	2	Governor Weight ASM
180	98-9560	2	Shaft-Weight, Governor
190	98-9692	2	Roller
200	98-9563	1	Sleeve-Governor
210	98-9564	1	Washer-Thrust
220	107-9079	1	Bearing-Ball
230	98-9657	1	Circlip-Shaft, Governor
240	98-9565	1	Screw-Set



Idle Apparatus and Stop Solenoid Assembly

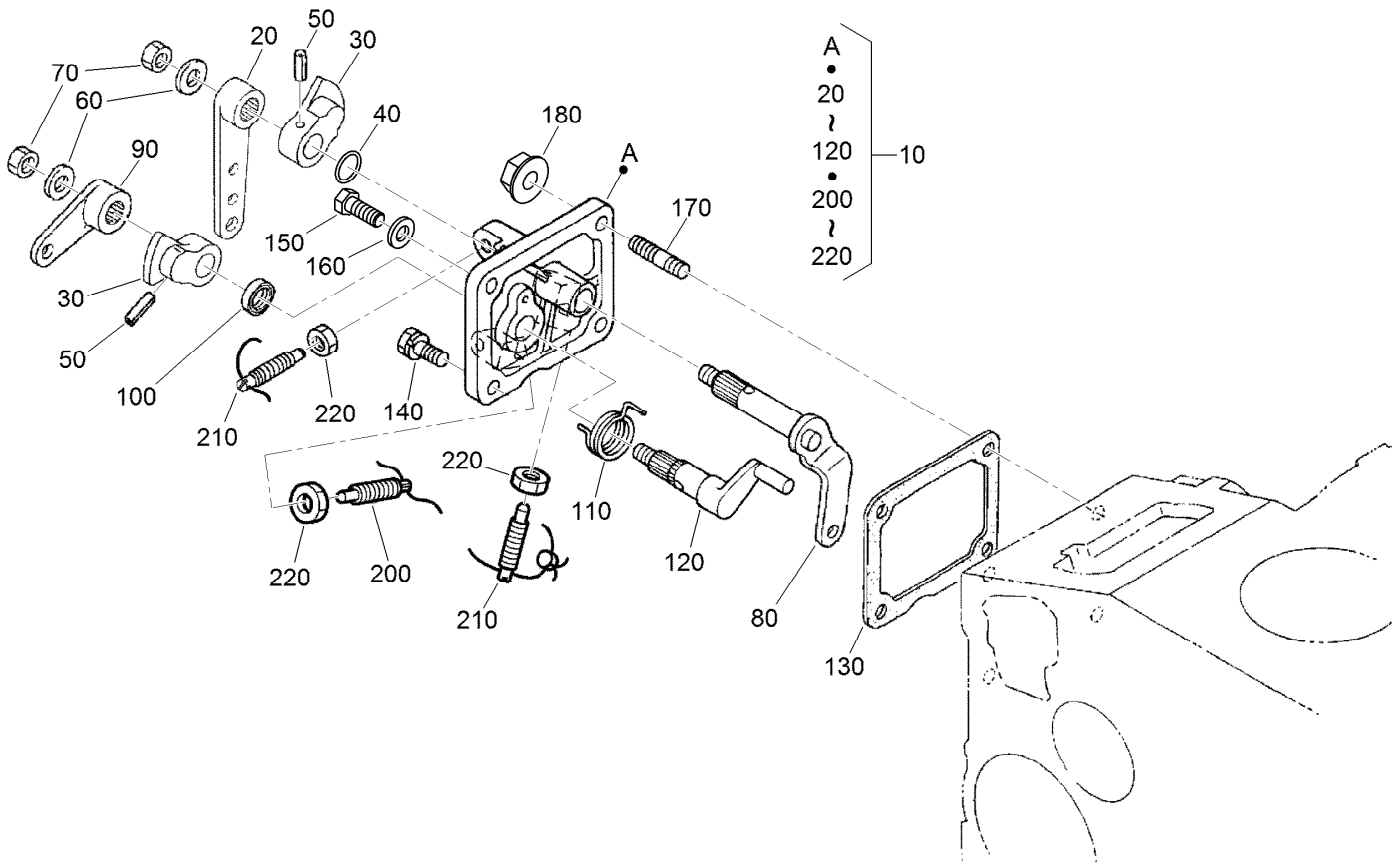
<i>Ref.</i>	<i>Part Number</i>	<i>Qty.</i>	<i>Description</i>
10	98-9678	1	Idle Apparatus ASM
20	112-7014	1	Adjusting Bolt ASM
30	98-9439	1	Nut
40	112-0181	1	Nut
50	98-7654	2	Gasket
60	98-7656	1	Cap
70	112-7015	1	Bolt-Adjusting
80	100-2175	1	Nut-Lock
90	112-0181	1	Nut
100	98-7654	1	Gasket
110	107-9081	1	Gasket
120	104-5155	1	Solenoid-Stop
130	130-1155	2	Screw-HSH
140	112-7016	1	Cover-Pump



Injection Pump and Fuel Pump Assembly

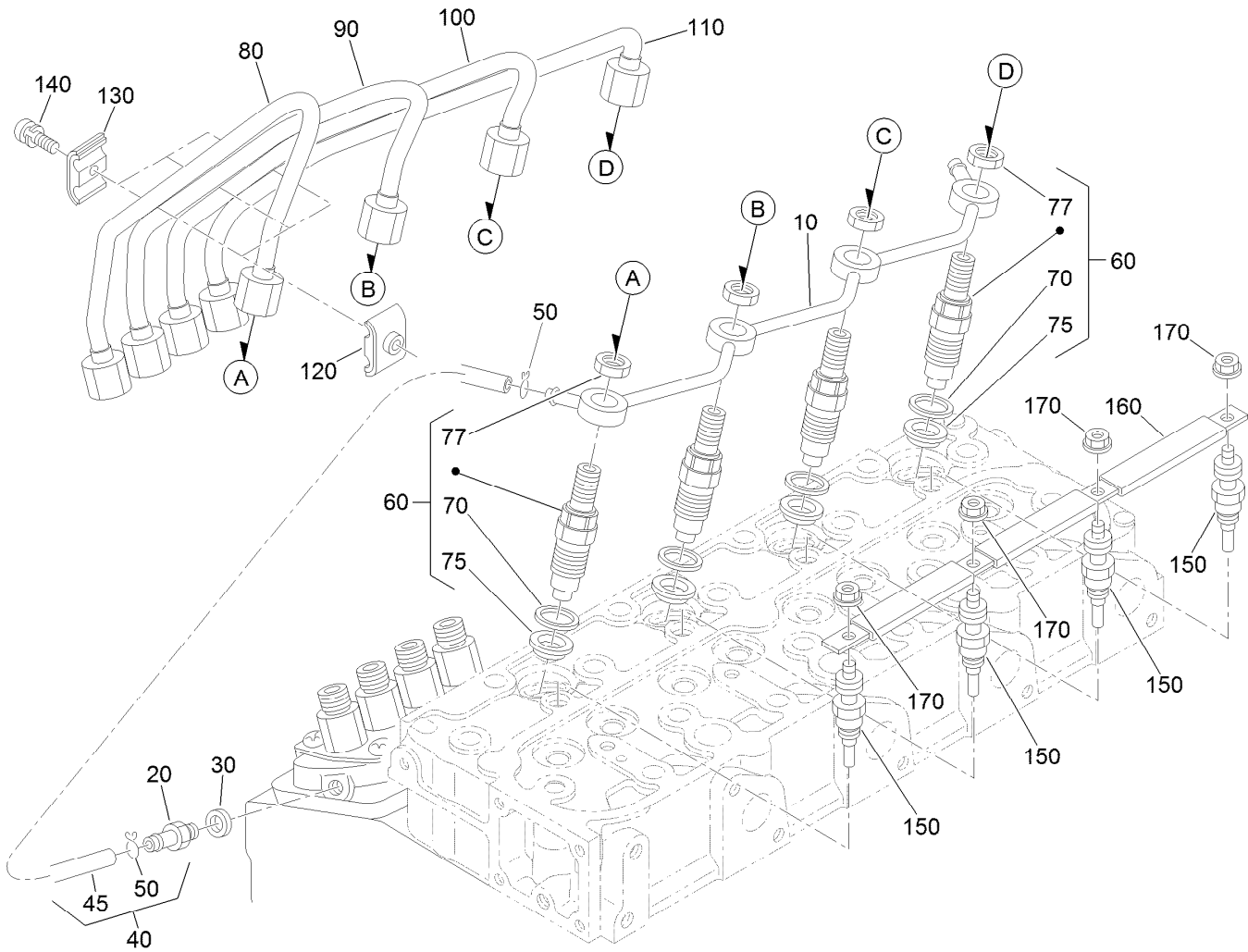
Ref.	Part Number	Qty.	Description
10	98-9596	1	Joint-Eye
20	130-1238	1	Fuel Pipe ASM
30	100-2217	2	Clip-Pipe
40	105-3727	1	Injection Pump ASM
50	105-3728	1	Shim-Pump, Injection (.20Mm)
50	105-3729	1	Shim-Pump, Injection (.25Mm)
60	105-3730	1	Shim-Pump, Injection (.30Mm)
60	115-3016	1	Shim-Pump, Injection (.350Mm)
65	115-3017	1	Shim-Pump, Injection (.175Mm)

Ref.	Part Number	Qty.	Description
70	117-7564	3	Bolt-Hex Soc HD
80	98-9438	3	Stud
90	98-9440	3	Nut-Cap
100	98-7699	3	Washer-Spring
110	98-9464	1	Bolt-Joint
120	98-9445	2	Gasket
130	98-9430	1	Screw
140	98-9446	1	Gasket
150	98-9677	1	Fuel Pump ASM
160	98-9636	1	Gasket-Pump, Fuel
170	100-2203	2	Nut-Flange



Speed Control Plate Assembly

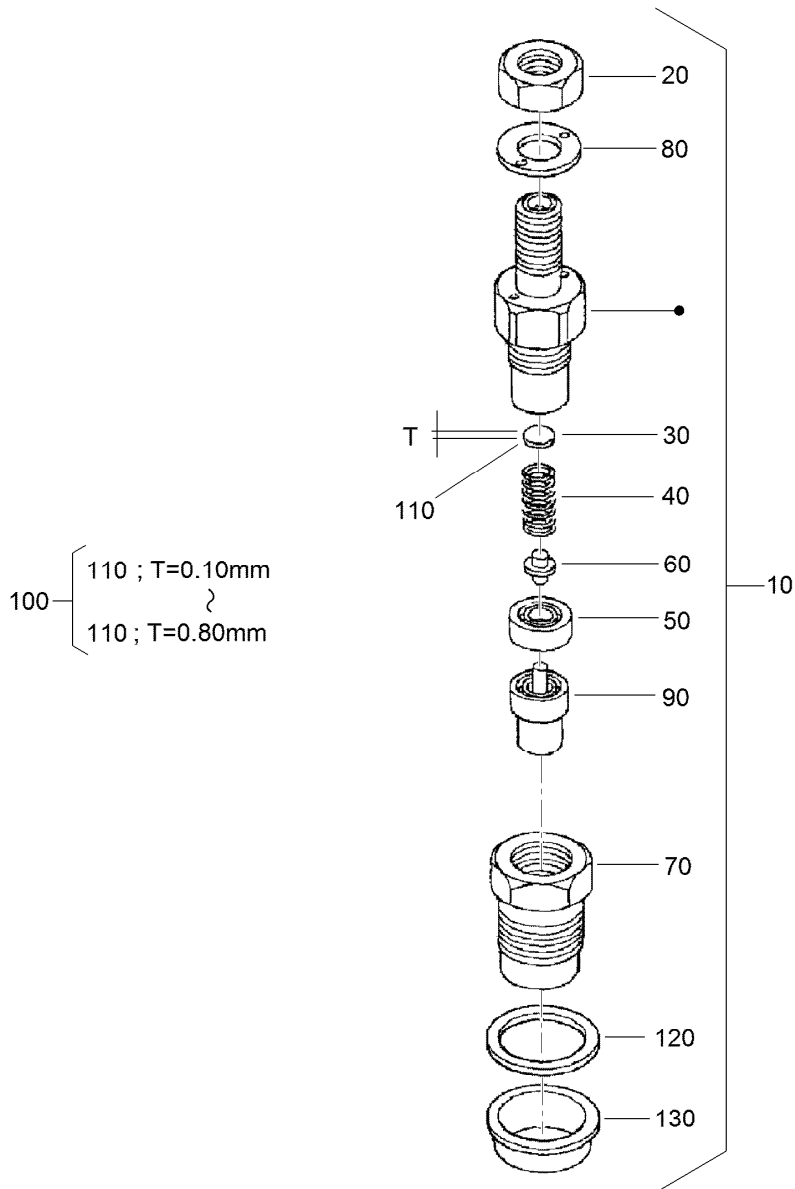
<i>Ref.</i>	<i>Part Number</i>	<i>Qty.</i>	<i>Description</i>	<i>Ref.</i>	<i>Part Number</i>	<i>Qty.</i>	<i>Description</i>
10	98-9661	1	Control Plate ASM	120	98-9664	1	Shaft-Lever, Stop
20	98-9662	1	Lever-Control, Speed	130	98-9637	1	Gasket
30	98-9572	2	Lever-Control, Speed	140	98-7692	1	Bolt
40	105-3788	1	O-Ring	150	127-0401	1	Bolt-Hex
50	98-7602	2	Pin-Spring	160	98-7654	1	Gasket
60	98-9594	2	Washer-Plain	170	105-3710	2	Stud
70	98-9589	2	Nut	180	100-2203	2	Nut-Flange
80	98-9658	1	Governor Lever ASM	200	117-7565	2	Bolt-Adjusting
90	98-9663	1	Lever-Stop, Engine	210	117-7566	1	Bolt-Adjusting
100	98-7601	1	Seal-Oil	220	98-7572	3	Nut
110	98-9472	1	Spring-Return				



Nozzle Holder and Glow Plug Assembly

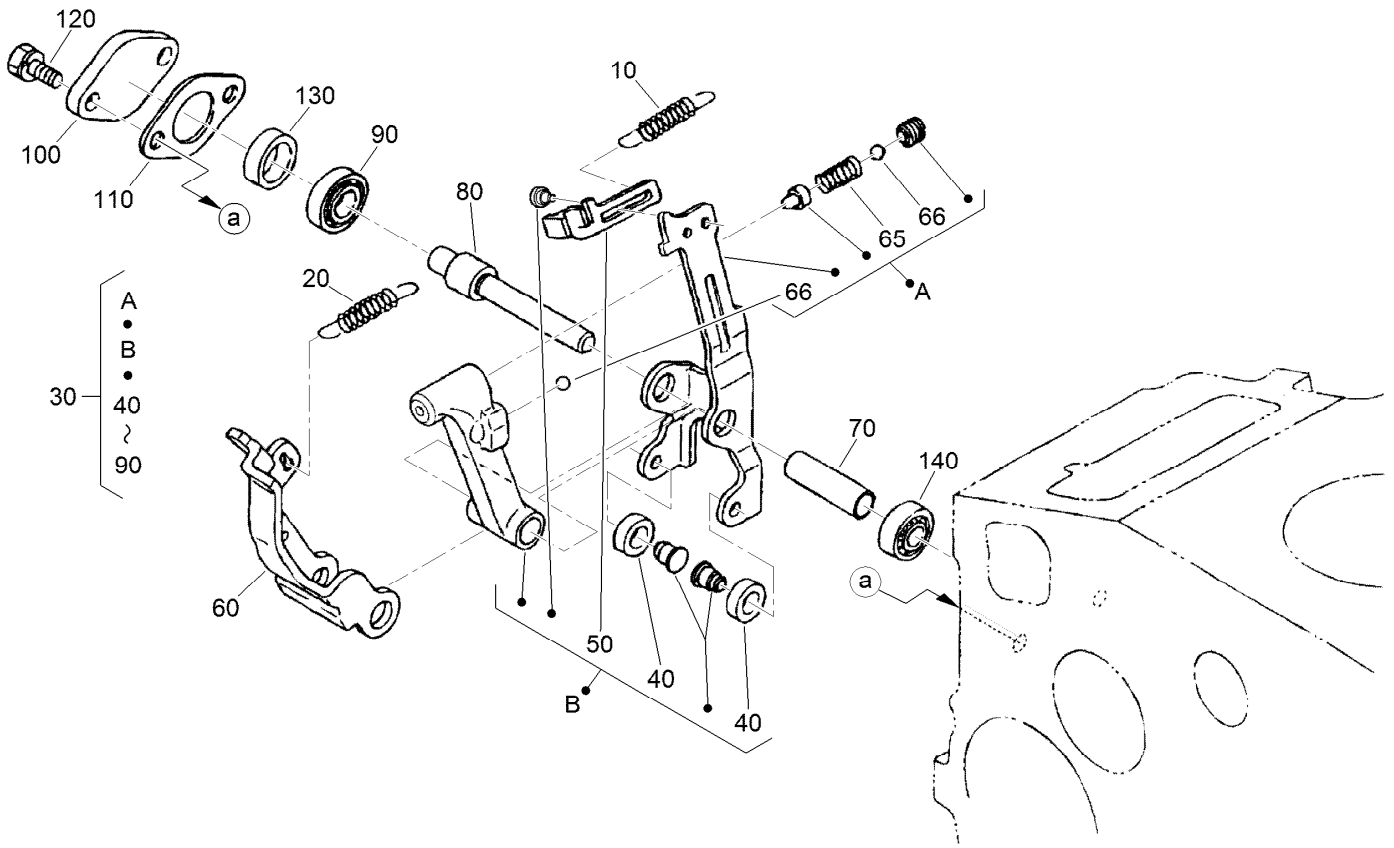
Ref.	Part Number	Qty.	Description
10	105-3737	1	Over Flow Pipe ASM
20	98-9431	1	Screw-Bleeder, Air
30	98-7654	1	Gasket
40	98-9420	1	Overflow Pipe ASM
45	112-0182	1	Pipe-Overflow
50	98-7671	2	Clip-Pipe
60	108-2866	4	Nozzle Holder Kit
70	98-7676	4	Gasket
75	98-7677	4	Seal-Heat
77	121-2411	4	Nut

Ref.	Part Number	Qty.	Description
80	98-9653	1	Pipe-Injection
90	98-9654	1	Pipe-Injection
100	98-9655	1	Pipe-Injection
110	105-3738	1	Pipe-Injection
120	98-7682	3	Clamp-Pipe
130	98-7683	3	Clamp-Pipe
140	98-7684	3	Screw (W/Washer)
150	115-3019	4	Plug-Glow
160	105-3739	1	Cord-Plug, Glow
170	99-8377	4	Nut-Flange



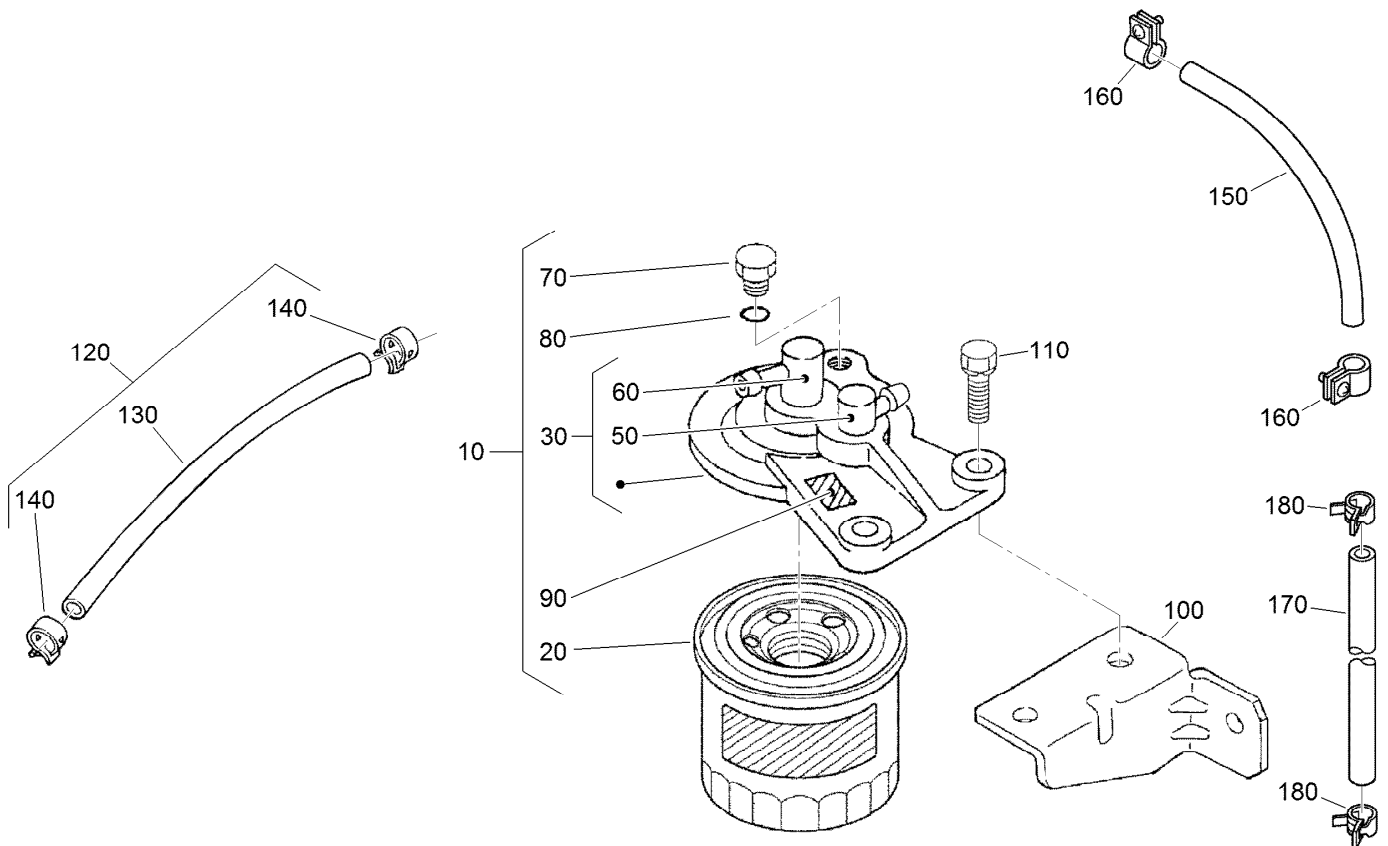
Nozzle Holder Assembly

<i>Ref.</i>	<i>Part Number</i>	<i>Qty.</i>	<i>Description</i>	<i>Ref.</i>	<i>Part Number</i>	<i>Qty.</i>	<i>Description</i>
10	108-2866	4	Nozzle Holder Kit	110	99-8311	4	Washer-Adjust (0.20Mm)
20	121-2411	4	Nut	110	99-8312	4	Washer-Adjust (0.30Mm)
30	99-8302	4	Washer-Adjusting	110	99-8313	4	Washer-Adjust (0.40Mm)
40	99-8303	4	Spring-Nozzle	110	99-8314	4	Washer-Adjust (0.50Mm)
50	99-8304	4	Spacer-Distance	110	99-8315	4	Washer-Adjust (0.52Mm)
60	99-8305	4	Rod-Push	110	99-8316	4	Washer-Adjust (0.54Mm)
70	99-8306	4	Nut-Nozzle	110	99-8317	4	Washer-Adjust (0.56Mm)
80	99-8307	4	Washer-Plain	110	99-8318	4	Washer-Adjust (0.58Mm)
90	107-7826	4	Piece-Nozzle	110	99-8319	4	Washer-Adjust (0.80Mm)
100	99-8309	4	Adjusting Washer ASM	120	98-7676	4	Gasket
110	99-8310	4	Washer-Adjust (0.10Mm)	130	98-7677	4	Seal-Heat



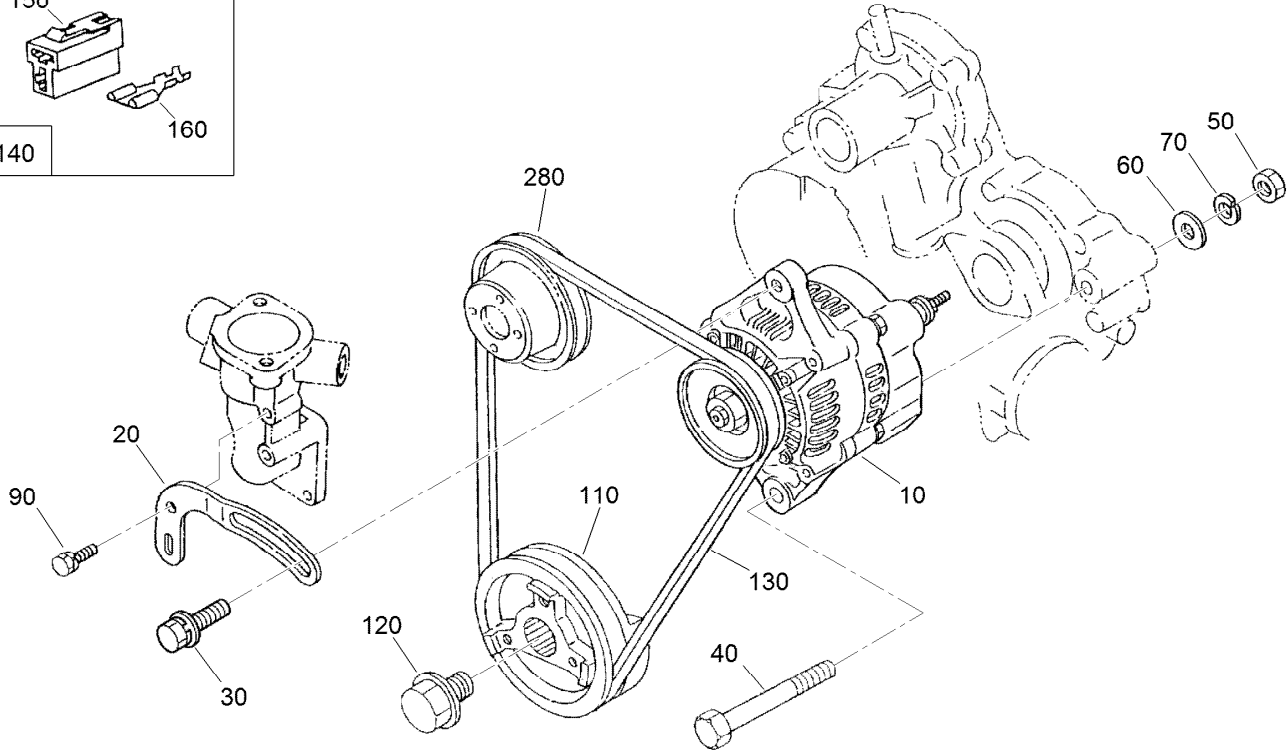
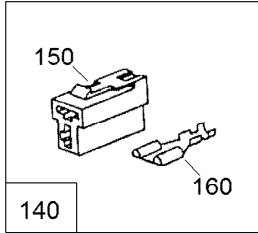
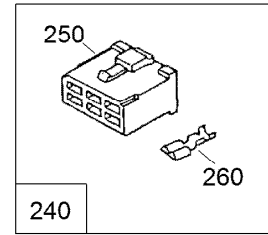
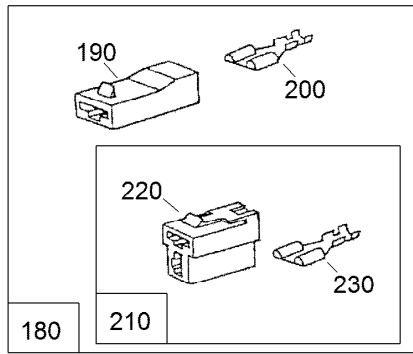
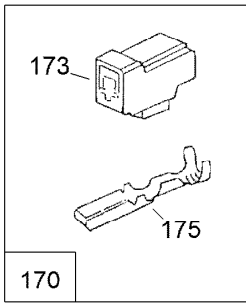
Governor Assembly

<i>Ref.</i>	<i>Part Number</i>	<i>Qty.</i>	<i>Description</i>	<i>Ref.</i>	<i>Part Number</i>	<i>Qty.</i>	<i>Description</i>
10	105-3741	1	Spring-Start	70	107-9085	1	Shaft-Lever, Fork
20	98-9681	1	Spring-Governor	80	107-9086	1	Shaft-Lever, Fork
30	115-4502	1	Fork Lever ASM	90	98-9570	1	Bearing-Miniaturize
40	98-9692	2	Roller	100	115-4122	1	Cover-Shaft, Fork Lever
50	107-9083	1	Lever-Thrust	110	98-9682	1	Gasket
60	107-9084	1	Lever-Fork	120	98-9350	2	Bolt
65	108-2867	1	Spring	130	98-9567	1	Collar
66	98-7580	2	Ball	140	98-9571	1	Bearing-Miniaturize



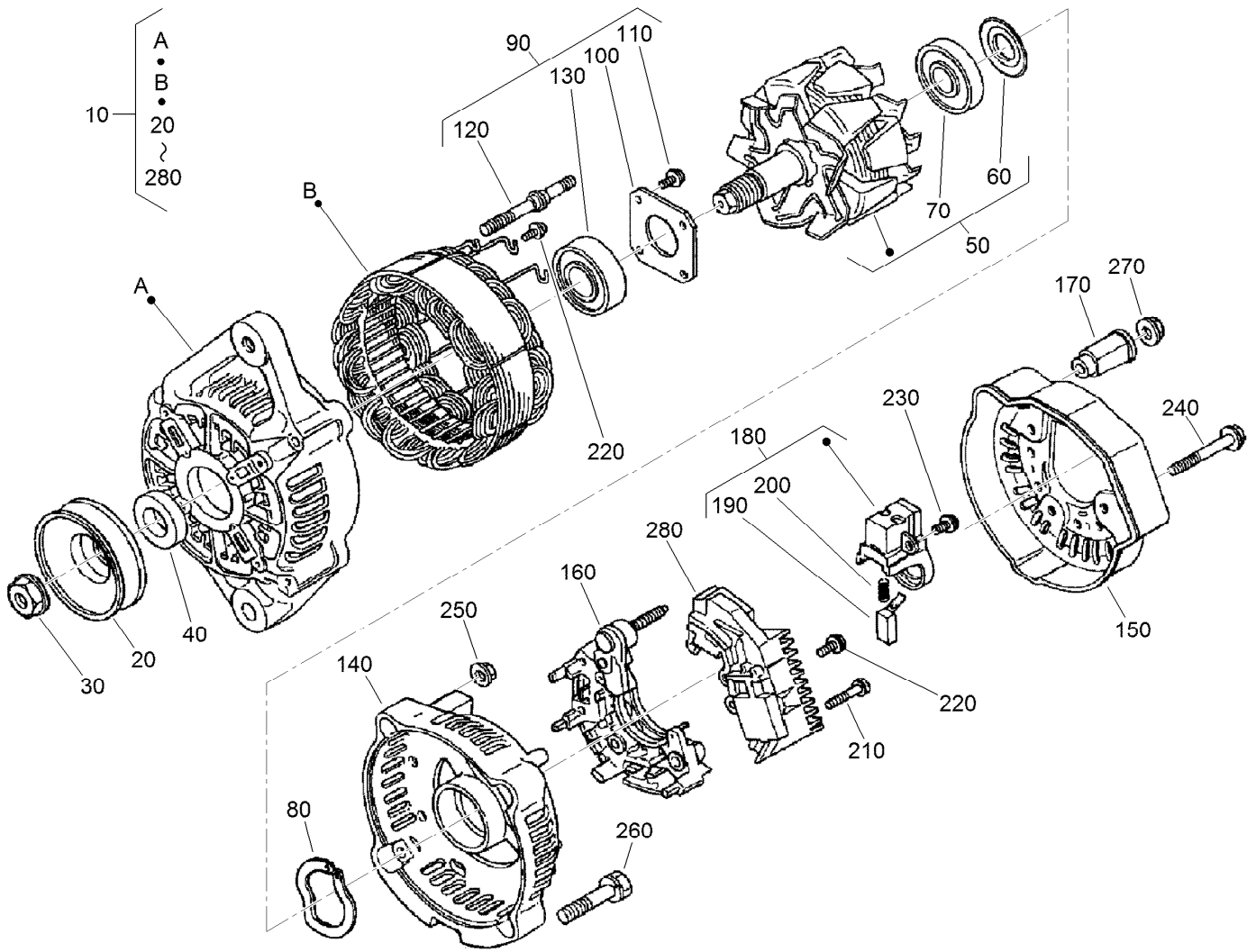
Fuel Filter Assembly

<i>Ref.</i>	<i>Part Number</i>	<i>Qty.</i>	<i>Description</i>	<i>Ref.</i>	<i>Part Number</i>	<i>Qty.</i>	<i>Description</i>
10	130-1188	1	Fuel Filter ASM	110	98-7610	2	Bolt
20	130-1187	1	Element-Filter	120	130-1270	1	Fuel Pipe ASM
30	130-1189	1	Filter Cover ASM	130	130-1172	1	Tube-Fuel
50	130-1180	1	Joint-Pipe	140	100-2217	2	Clip-Pipe
60	130-1181	1	Joint-Pipe	150	130-1222	1	Pipe-Fuel
70	130-1329	1	Plug-Filter Breather	160	98-7616	4	Clip-Pipe
80	130-1179	1	O Ring	170	130-1330	1	Pipe-Over Flow, Fuel
90	130-1190	1	Mark-Form	180	98-7672	6	Clip-Pipe
100	130-1271	1	Holder-Fuel Filter				



Alternator and Pulley Assembly

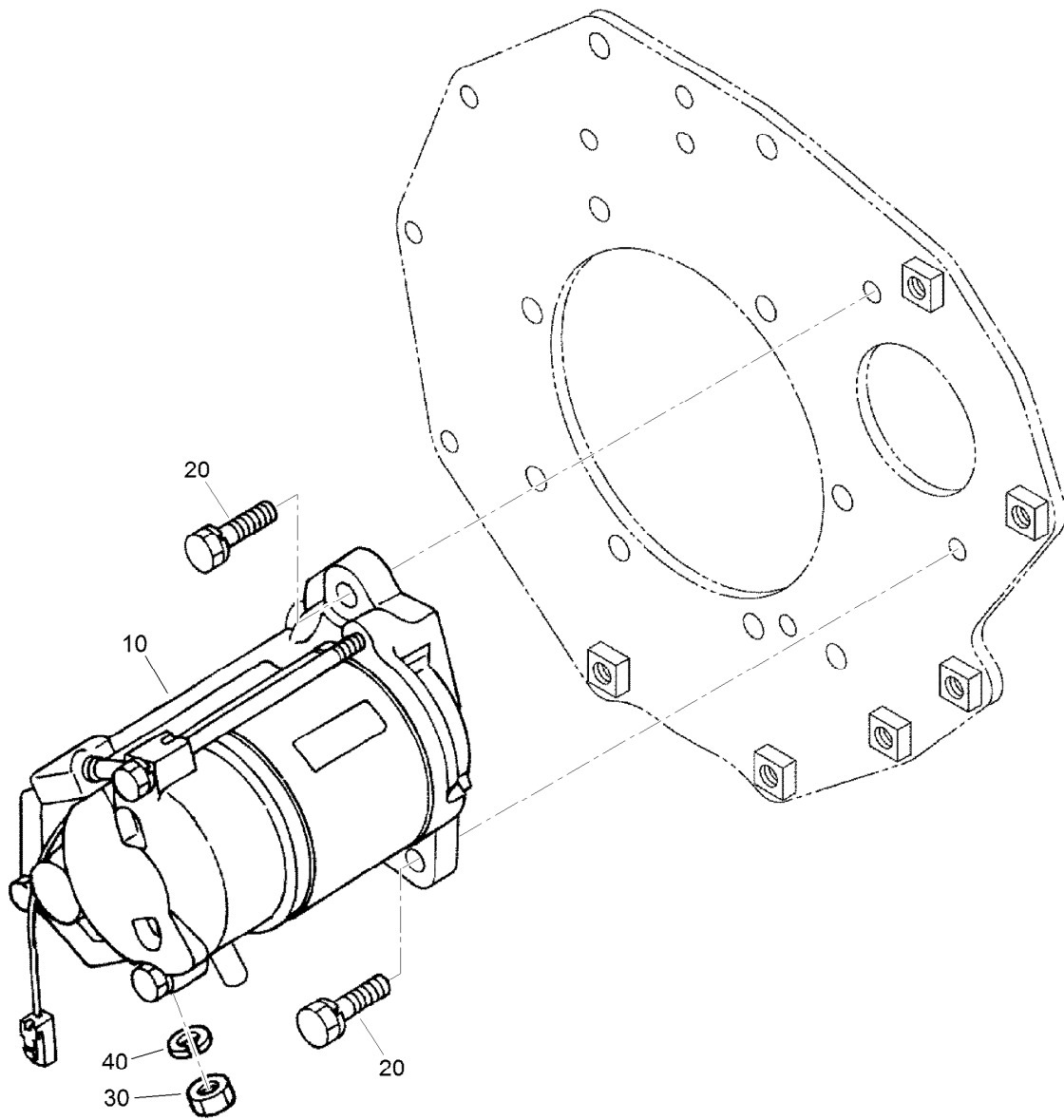
<i>Ref.</i>	<i>Part Number</i>	<i>Qty.</i>	<i>Description</i>	<i>Ref.</i>	<i>Part Number</i>	<i>Qty.</i>	<i>Description</i>
10	98-9474	1	Alternator ASM	160	98-9699	2	Terminal
20	112-7047	1	Stay-Dynamo	170	115-8600	1	Coupler ASM
20	112-7047	1	Stay-Dynamo	173	115-8601	1	Connector
30	108-7088	1	Bolt	175	115-8602	1	Terminal
40	98-9360	1	Bolt	180	130-1229	1	Relay Coupler ASM
50	98-7737	1	Nut	190	130-1230	2	Connector
60	98-9366	1	Washer-Plain	200	130-1228	2	Terminal
70	98-7738	1	Washer-Spring	210	127-1606	1	Coupler ASM
90	98-7692	1	Bolt	220	98-9698	1	Connector
110	105-3745	1	Pulley-Drive, Fan	230	98-9699	2	Terminal
120	98-9585	1	Bolt	240	130-1290	1	Connector Coupler ASM
130	98-9676	1	V-Belt	250	98-9697	1	Connector
140	127-1606	1	Coupler ASM	260	98-9699	5	Terminal
150	98-9698	1	Connector	280	98-9584	1	Pulley-Fan



Alternator Components Assembly

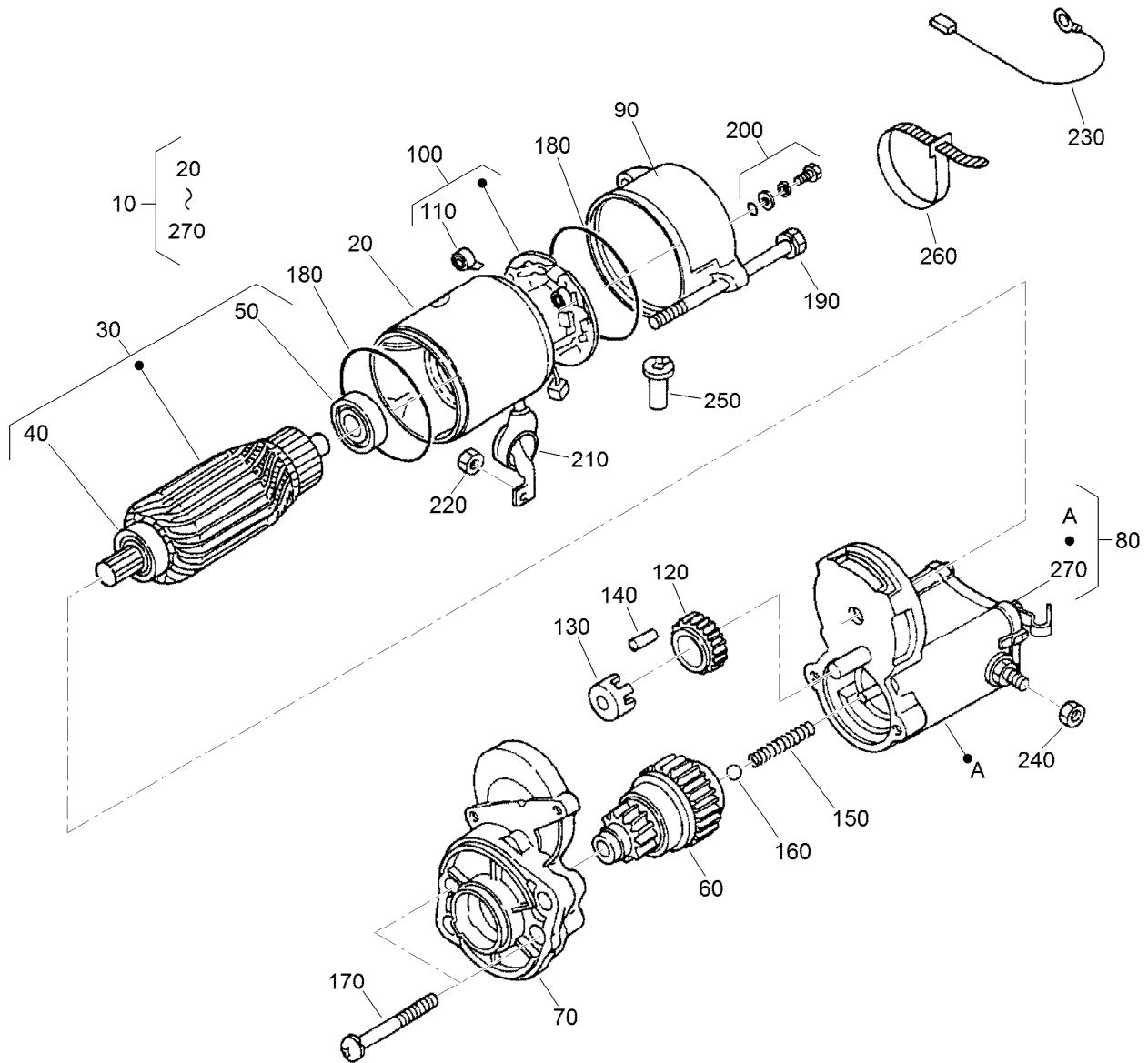
Ref.	Part Number	Qty.	Description
10	98-9474	1	Alternator ASM
20	98-9453	1	Pulley-Dynamo
30	98-7708	1	Nut
40	98-7709	1	Collar
50	107-0136	1	Rotor ASM
60	98-7711	1	Cover-Bearing
70	107-0138	1	Bearing-Ball
80	98-7713	1	Washer-Thrust
90	107-0139	1	Drive End Frame ASM
100	98-7715	1	Plate-Retainer
110	98-7716	4	Screw-Head, Round
120	98-7717	2	Bolt-Through
130	107-0137	1	Bearing-Ball
140	107-9087	1	Frame-End

Ref.	Part Number	Qty.	Description
150	107-0140	1	Cover-End
160	127-1612	1	Rectifier ASM
170	98-7722	1	Bushing-Insulation
180	107-0141	1	Brush Holder ASM
190	98-7724	2	Brush
200	98-7725	2	Spring-Brush
210	98-7726	2	Screw-Head, Round
220	98-7727	6	Screw-Head, Round
230	98-7728	1	Screw-Head, Round
240	98-7729	3	Bolt
250	98-7730	2	Nut
260	98-7731	2	Bolt
270	98-7732	1	Nut
280	110-3799	1	Regulator ASM



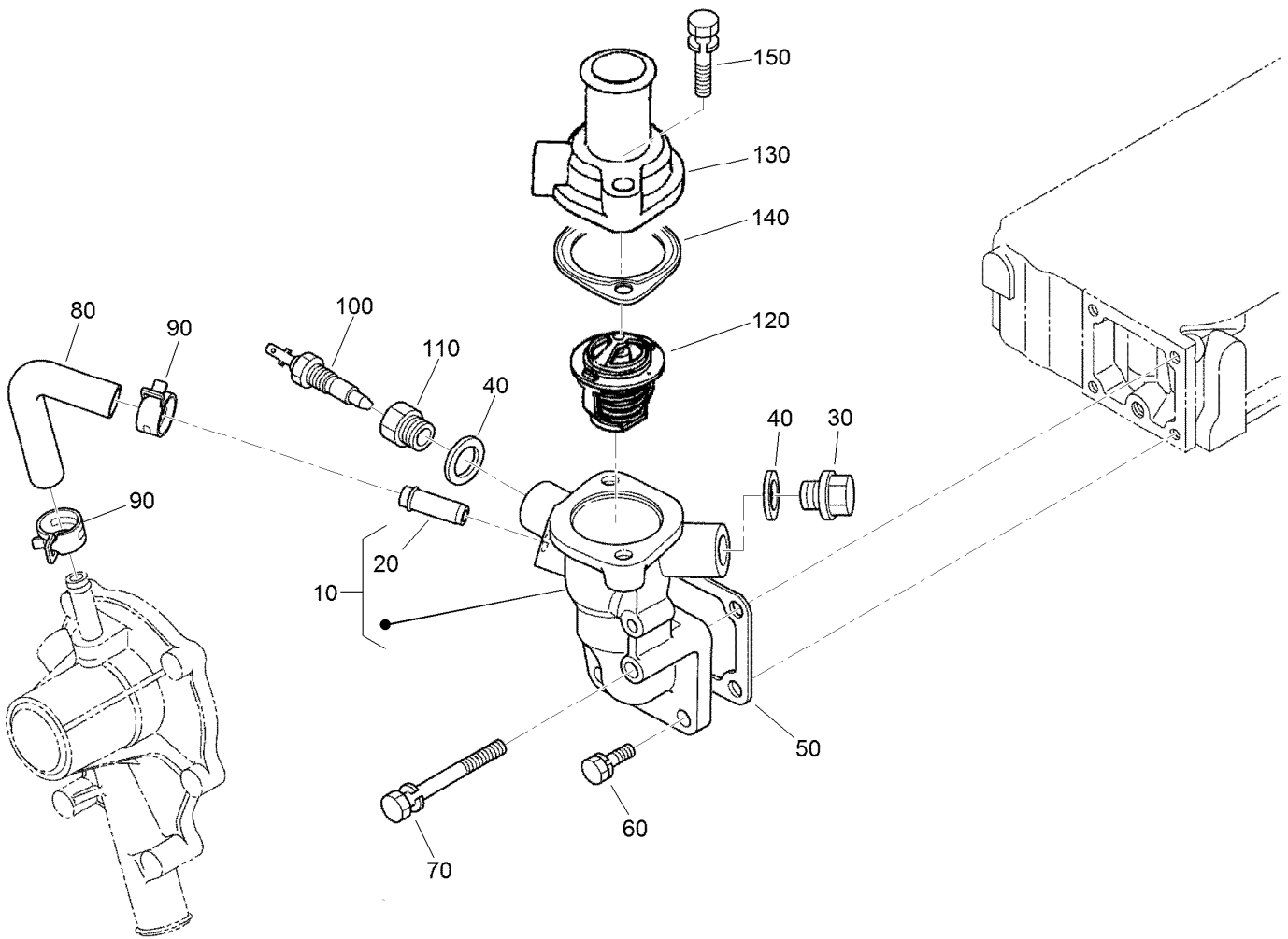
Starter Assembly

<i>Ref.</i>	<i>Part Number</i>	<i>Qty.</i>	<i>Description</i>
10	98-9705	1	Starter ASM
20	98-7697	2	Bolt
30	98-7739	1	Nut
40	105-2893	1	Washer-Spring



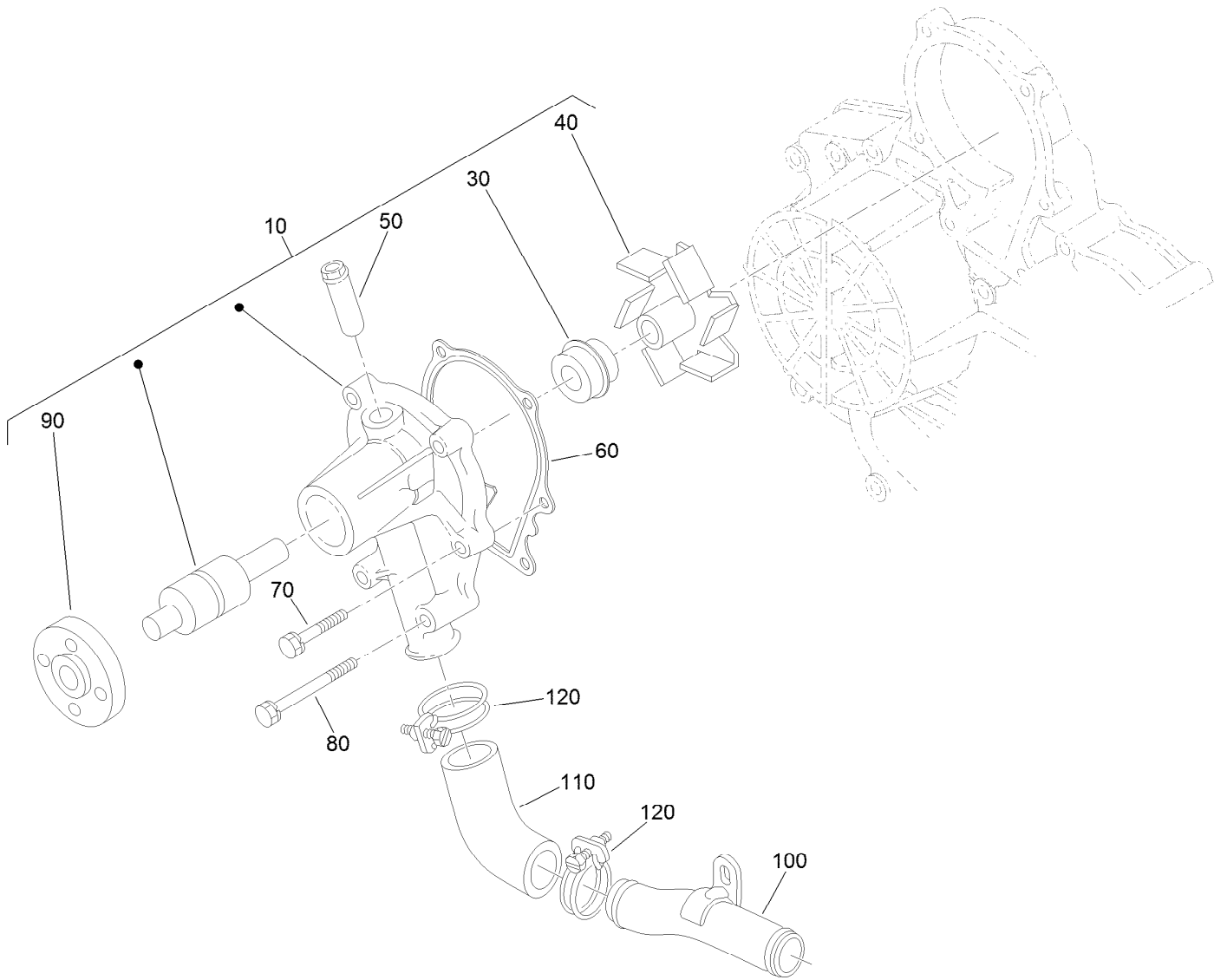
Starter (Component Part) Assembly

Ref.	Part Number	Qty.	Description	Ref.	Part Number	Qty.	Description
10	98-9705	1	Starter ASM	150	98-7754	1	Spring
20	104-8608	1	Yoke ASM	160	98-7755	1	Ball
30	98-7742	1	Armature ASM	170	98-7756	2	Bolt
40	98-7744	1	Bearing	180	98-7757	2	O-Ring
50	98-7743	1	Bearing	190	100-9240	2	Bolt
60	99-8373	1	Clutch-Running, Over	200	98-7758	2	Bolt ASM
70	99-8374	1	Frame-End, Drive	210	99-8375	1	Cover
80	105-3746	1	Magnetic Switch ASM	220	99-8371	1	Nut-Hex
90	98-7748	1	Frame-End	230	98-9711	1	Cord-Solenoid, Stop
100	98-7749	1	Brush Holder ASM	240	99-8376	1	Nut-Hex
110	98-7750	4	Spring-Brush	250	98-7759	1	Pipe-Drain
120	98-7751	1	Gear	260	98-9712	1	Band-Cover
130	98-7752	1	Retainer	270	105-2886	1	Cover ASM
140	98-7753	5	Roller				



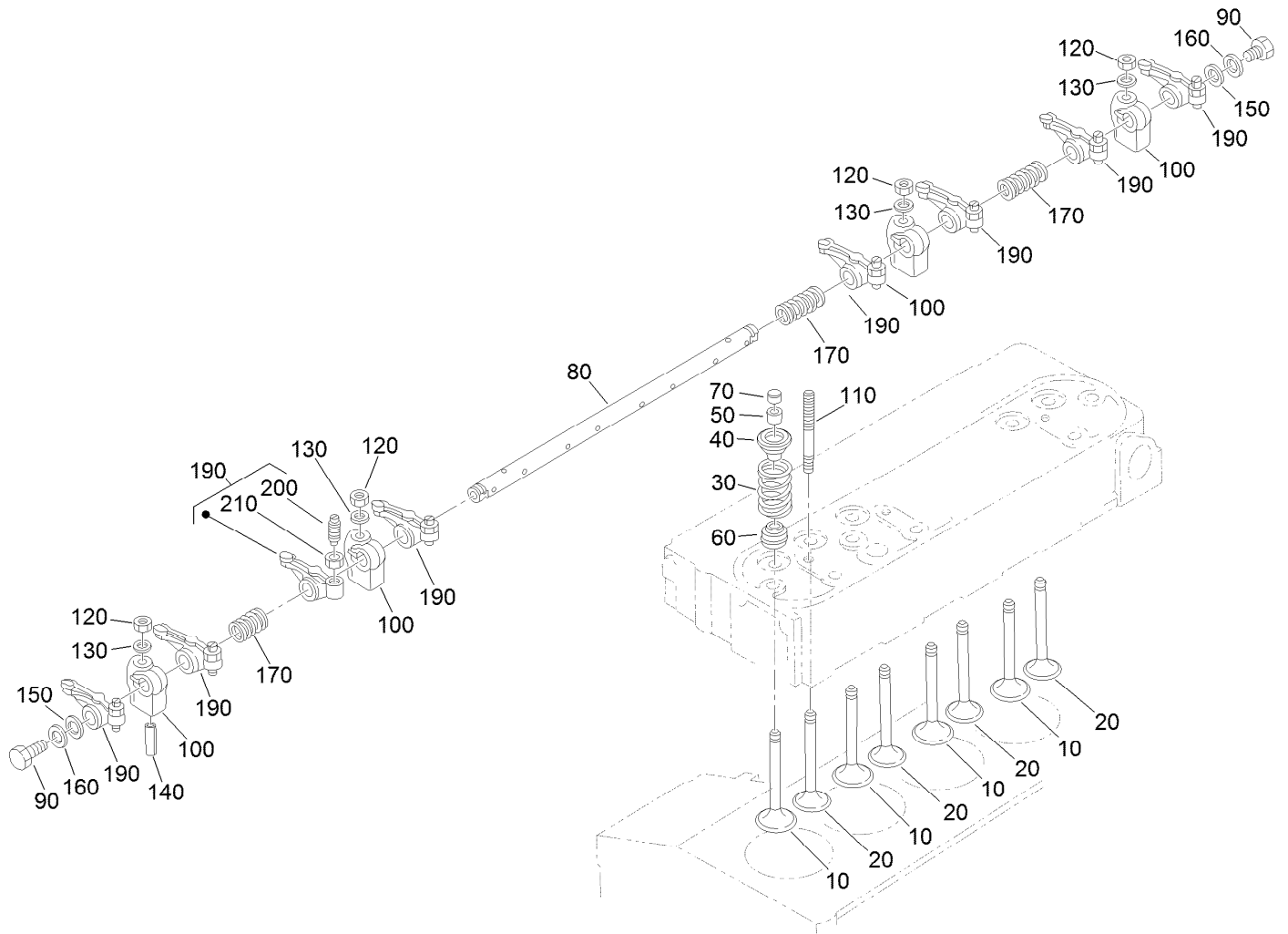
Water Flange and Thermostat Assembly

<i>Ref.</i>	<i>Part Number</i>	<i>Qty.</i>	<i>Description</i>
10	98-9713	1	Water Flange ASM
20	98-9580	1	Pipe-Return, Water
30	105-3747	1	Plug
40	99-3583	2	Gasket
50	98-9638	1	Gasket-Flange, Water
60	98-7692	3	Bolt
70	98-9356	1	Bolt
80	98-9578	1	Pipe-Return, Water
90	98-9579	2	Band-Pipe
100	100-1983	1	Thermo-Switch
110	130-1377	1	Adapter-Thermoswitch
120	98-7778	1	Thermostat ASM
130	98-9471	1	Cover-Thermostat
140	105-3748	1	Gasket-Thermostat
150	98-7777	2	Bolt



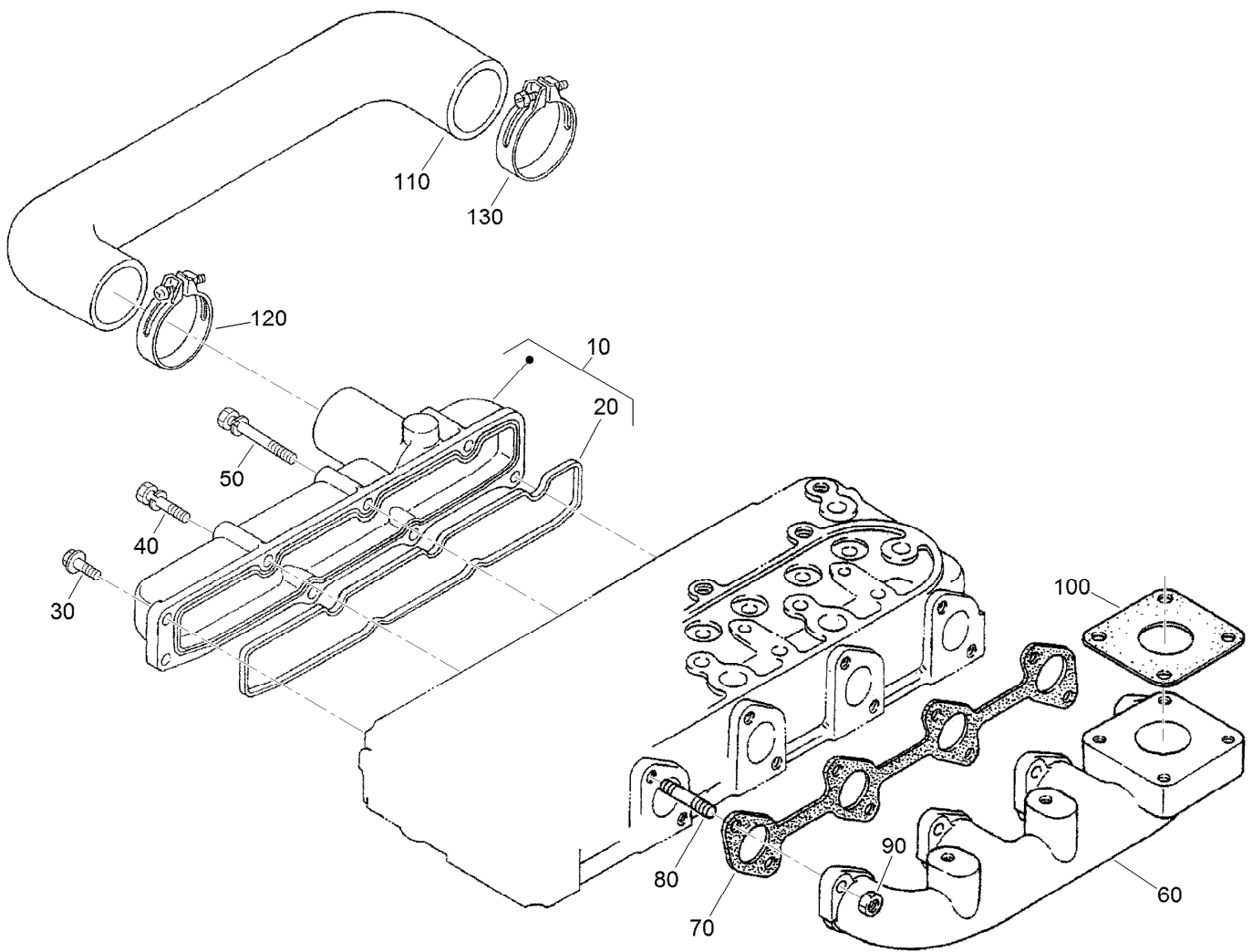
Water Pump Assembly

<i>Ref.</i>	<i>Part Number</i>	<i>Qty.</i>	<i>Description</i>
10	107-9089	1	Water Pump ASM
30	105-3750	1	Mechanical Seal ASM
40	112-7017	1	Impeller-Pump, Water
50	100-1932	1	Pipe-Return, Water
60	99-3454	1	Gasket-Pump, Water
70	98-9353	4	Bolt
80	107-9090	2	Bolt
90	99-3516	1	Flange-Pump, Water
100	98-9716	1	Pipe-Water
110	107-9091	1	Pipe-Water
120	98-9717	2	Clamp



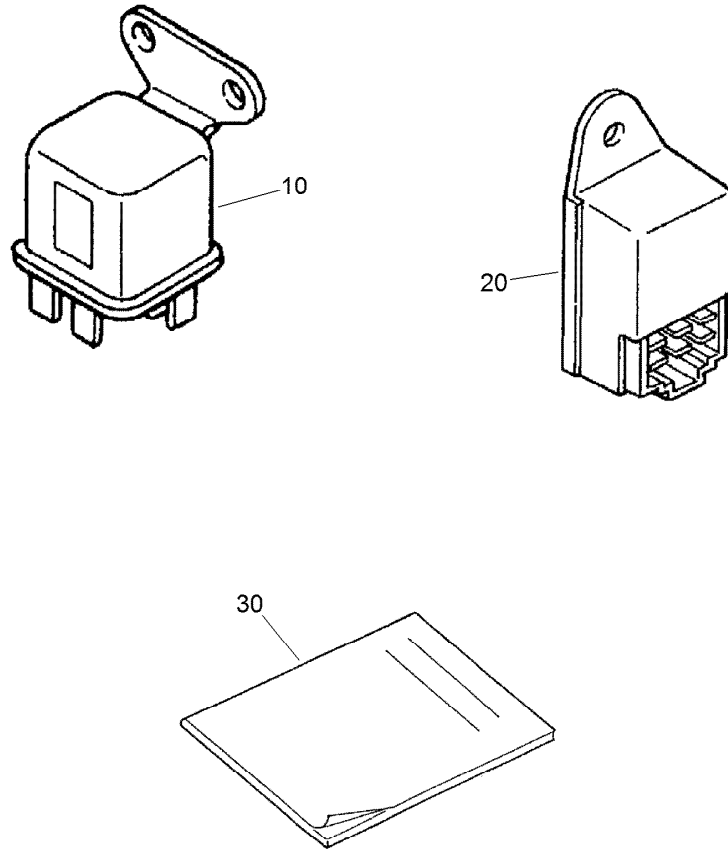
Valve and Rocker Arm Assembly

<i>Ref.</i>	<i>Part Number</i>	<i>Qty.</i>	<i>Description</i>	<i>Ref.</i>	<i>Part Number</i>	<i>Qty.</i>	<i>Description</i>
10	112-7018	4	Valve-Inlet	110	98-9506	4	Stud
20	120-2564	4	Valve-Exhaust	120	98-9393	4	Nut
30	98-9648	8	Spring-Valve	130	98-9385	4	Washer-Flat
40	107-9092	8	Retainer-Spring	140	105-3758	1	Pin-Spring
50	117-7572	8	Collet-Spring, Valve	150	98-9507	2	Washer-Shaft, Rocker Arm
60	99-8385	8	Seal-Stem, Valve	160	110-3832	2	Washer-Plain
70	98-9497	8	Cap-Valve	170	98-9504	3	Spring-Arm, Rocker
80	127-0420	1	Shaft-Arm, Rocker	190	112-7020	8	Rocker Arm ASM
90	99-8363	2	Bolt-Flange	200	98-9502	8	Screw-Adjusting
100	98-9505	4	Bracket-Arm, Rocker	210	98-9503	8	Nut



Intake and Exhaust Manifold Assembly

<i>Ref.</i>	<i>Part Number</i>	<i>Qty.</i>	<i>Description</i>
10	130-1257	1	Intake Manifold ASM
20	105-3760	1	Gasket-Manifold, Intake
30	127-0403	3	Bolt-Flange
40	98-9353	2	Bolt
50	125-9063	3	Bolt-Sems
60	130-1268	1	Manifold-Exhaust
70	105-3765	1	Gasket-Manifold, Exhaust
80	98-9588	8	Stud
90	98-9665	8	Nut
100	99-8343	2	Gasket-Muffler
110	130-1284	1	Pipe-Inlet
120	130-1196	2	Band-Pipe
130	130-1182	2	Band-Pipe



Miscellaneous Engine Parts

<i>Ref.</i>	<i>Part Number</i>	<i>Qty.</i>	<i>Description</i>
10	130-1244	1	Relay ASM
20	130-1211	1	Timer-Lamp, Glow
30	115-4104	1	Operator Manual

Attachments and Accessories

For 30657 LT3340 Heavy-Duty Triple Turf Mower Traction Unit

Product Name	Model/Part
MK3 200mm (8in) 4-Blade Cutting Unit.....	02800
MK3 200mm (8in) 6-Blade Cutting Unit.....	02801
MK3 200mm (8in) 8-Blade Cutting Unit.....	02802
MK3 200mm (8in) 10-Blade Cutting Unit.....	02803
MK3 250mm (10in) 4-Blade Cutting Unit.....	02810
MK3 250mm (10in) 6-Blade Cutting Unit.....	02811
MK3 250mm (10in) 8-Blade Cutting Unit.....	02812
Floating Cutting Unit Kit, 3-Plex Mower.....	02820
Smooth Roller 200mm (8in) Cutting Unit.....	02822
Grooved Roller 200mm (8in) Cutting Unit.....	02823
Standard Seat Fabric Upgrade Kit.....	02864
Deluxe Replacement PVC Seat.....	02865
Deluxe Replacement Fabric Seat.....	02866
Cab Mauser KS-534 (Including Heater).....	02890
Air Conditioning Kit.....	02891
Beacon Kit.....	02901
Blower Carrier Kit.....	02903
ROPS Assist Kit.....	02905
Waste Bin Kit.....	02906
Toolbox Kit.....	02907
Decal-Manufactured By Hayter.....	02910
Literature Service Record Book.....	02911
Kevlar Tyre Kit.....	02914
Road Light Kit (Includes Brake Light Kit).....	02915
TÜV Kit - Speed Decal 20kph.....	02980
TÜV Kit - Deck Cover 3-gang.....	02982
TÜV Kit - German Vehicle Serial Plate.....	02983
Warning Triangle.....	111-4250
Bracket-Number Plate.....	111-4710-03
Fuse-In Line.....	111-5101
Tuv Kit Instructions.....	111-5240
Tuv Kit Instructions.....	111-5907

Notes:

Notes:

Notes:



Count on it.