



Count on it.

Parts Catalog

Left-Hand Groomer Kit

**Reelmaster® 5010-H Series Cutting Unit with
5in Reel**

Model No. 03401



Ordering Replacement Parts

To order replacement parts, please supply the part number, the quantity, and the description of each part desired.

Understanding Reference Numbers

Each identified part in an illustration has a reference number. The reference number for a part also appears in the parts list, along with other information about the part.

This catalog uses two special reference number formats, one to indicate parts in a service assembly and another to indicate the quantity of a given part in an illustration.

Service Assembly Reference Numbers

Parts in service assemblies have reference numbers in the form a:b. The a represents the reference number of the entire service assembly and the b represents a sequential number unique to each part within the service assembly.

For example, a wheel assembly might be identified by reference number 6, the tire by 6:1, the valve by 6:2, and the wheel by 6:3. When you order the assembly identified by reference number 6, you receive all parts identified by reference numbers 6:1, 6:2, and 6:3. However, you may also order any part individually. Reference numbers of this type appear in illustration and in parts lists.

Reference Numbers Indicating Quantity

In an illustration, if a reference number indicates more than one part, the reference number has the form nX y. The n represents the quantity of the part, the X is the multiplication symbol, and the y represents the reference number.

For example, in an illustration, the reference number 2X 37 means that two of the parts identified by reference number 37 are indicated.

List of Abbreviations

AR: as required

ASM: assembly

BBC: blade brake control

BHTF: button head thread forming

CARR: carriage

CCW: counter clockwise

CW: clockwise

DEG: degrees

DPA: Dual Point Adjustment

ECM: electronic control module

EXT: external

FH: flat head

GA: gauge

HD: heavy-duty

HF: hex flange

HH: hex head

HHF: hex head flange

HHFTF: hex head flange thread forming

HJ: hex jam

HLH: hex lag head

HOC: height-of-cut

HP: high pressure

HSBH: hex socket button head

HSFH: hex socket flat head

HSH: hex socket head

HWH: hex washer head

HWHTF: hex washer head thread forming

HYD: hydraulic

LH: left hand

LP: low pressure

LPG: Liquefied Petroleum Gas

NI: nylon insert

NPTF: national pipe thread fine

PFH: phillips flat head

PPH: phillips pan head

PPHTF: phillips pan head thread forming

PRH: phillips round head

PTH: phillips truss head

PTO: power-take-off

RH: right hand

ROPS: roll-over protection system

RRB: rear roller brush

SFH: slotted fillister head

SHH: slotted hex head

SHWH: slotted hex washer head

SPH: slotted pan head

SQH: square head

SRH: slotted round head

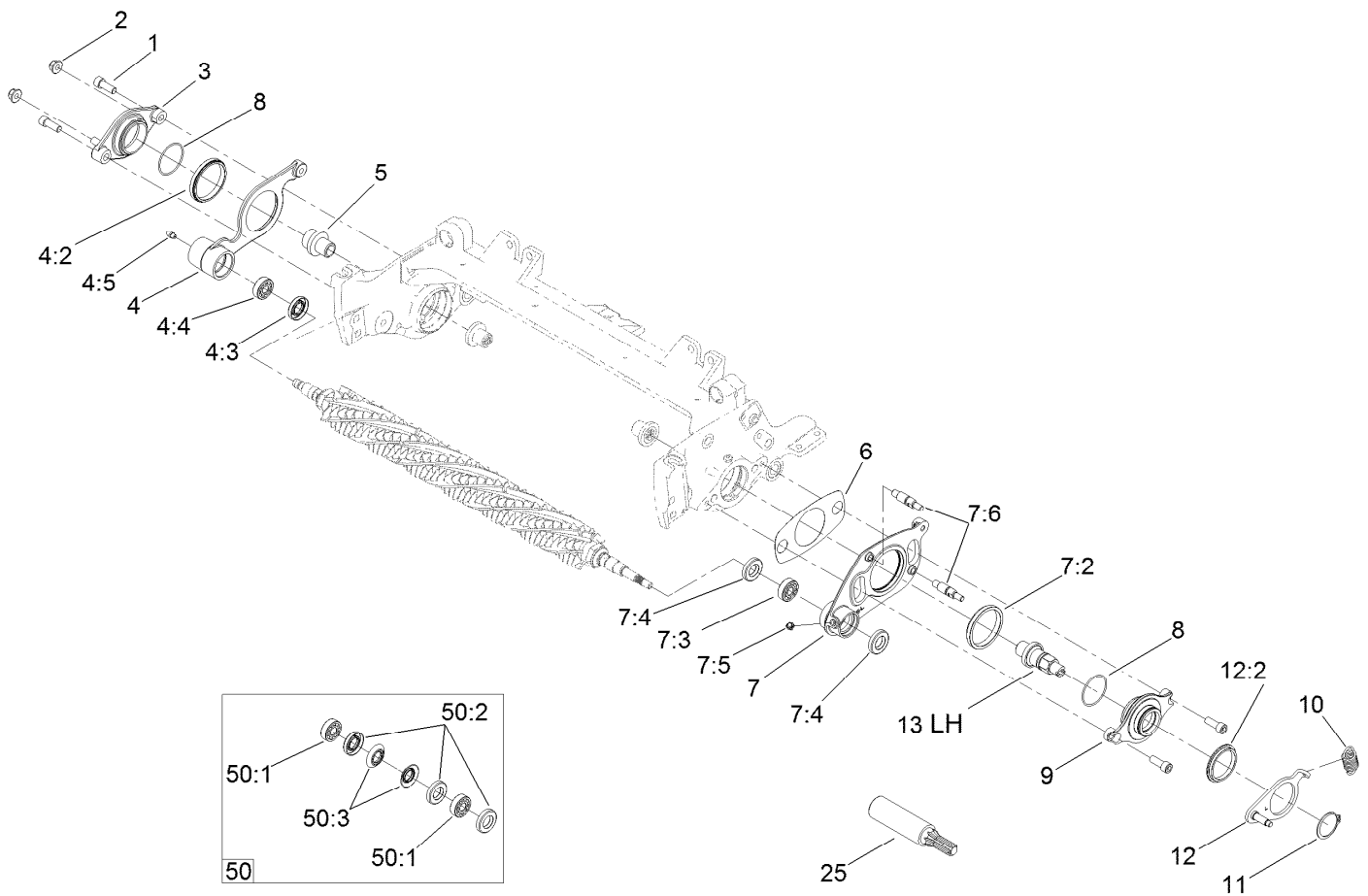
STD: standard

TAP: self tapping

TTH: torx truss head

Contents

Groomer Pivot Plate Assembly	4
Groomer and Height-of-Cut Assembly	5
22 Inch Groomer Blade Assembly No. 127-0297	6
Groomer Quick Up Assembly	7
Groomer Cover and Drive Assembly	8

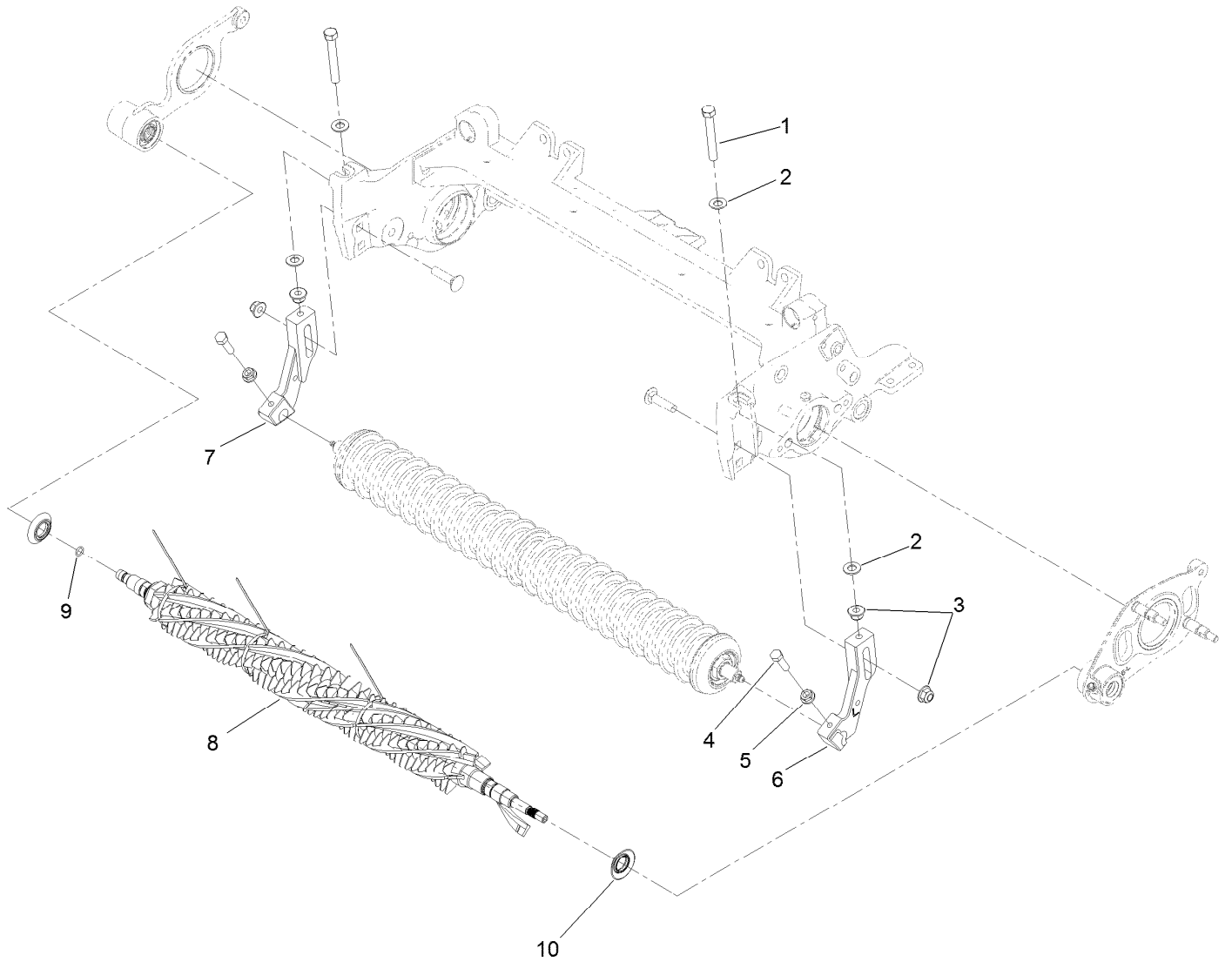


Groomer Pivot Plate Assembly

Ref.	Part Number	Qty.	Description	Ref.	Part Number	Qty.	Description
1	3274-7	4	Screw-HSH	7:5	302-61	1	Fitting-Grease
2	104-8301	2	Nut-Flange, NI	7:6	108-4154	2	Stud-Groomer
3	108-4166	1	Pivot-Hub	8	112-6968	2	O-Ring
4	121-6955	1	RH Groomer Plate ASM	9	112-6993	1	Pivot-Hub, Drive
4:2	108-4479	1	Bushing-Flange	10	110-1700	1	Spring-Extension
4:3	106-8530	1	Seal-Grease	11	32151-95	1	Ring-Retaining
4:4	95-0707	1	Bearing-Aligning, Self	12	110-1709	1	LH Idler Plate ASM
4:5	302-5	1	Fitting-Grease	12:2	108-4459	1	Bushing-Flange
5	121-6950	1	Insert-Threaded Extended, RH	13	125-2788	1	Shaft-Drive, LH
6	107-7794	1	Shim	25	TOR4112	1	Adapter-Drive, Reel ■
7	121-3189	1	LH Groomer Plate ASM	50	131-3233	1	Groomer/RRB Seal Kit ●
7:2	108-4479	1	Bushing-Flange	50:1	95-0707	2	Bearing-Aligning, Self
7:3	95-0707	1	Bearing-Aligning, Self	50:2	106-8530	3	Seal-Grease
7:4	106-8530	2	Seal-Grease	50:3	108-4172	2	Seal-Excluder

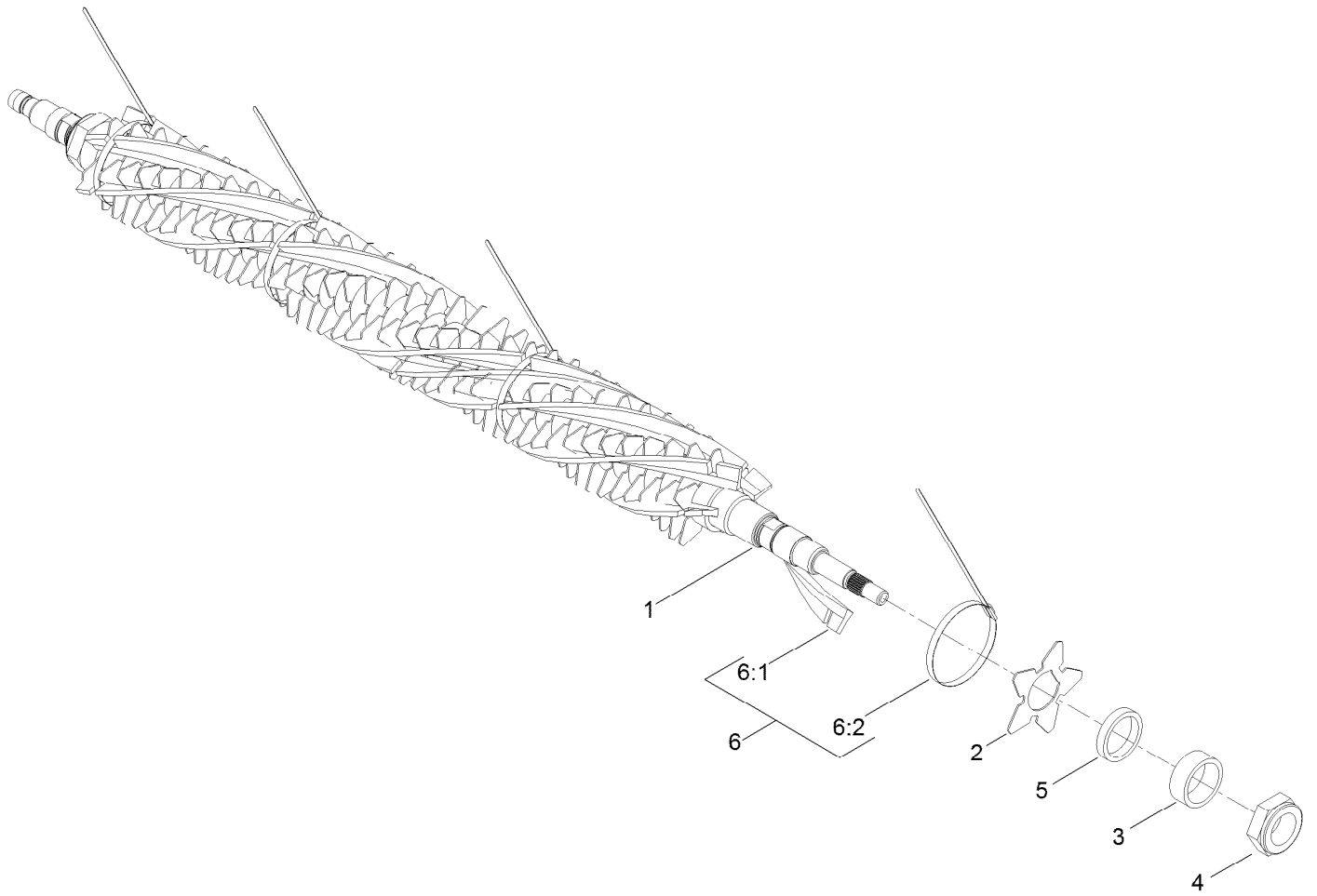
● Optional Equipment

■ Obtain directly from K-Line Industries, Inc. (800) 241-0936



Groomer and Height-of-Cut Assembly

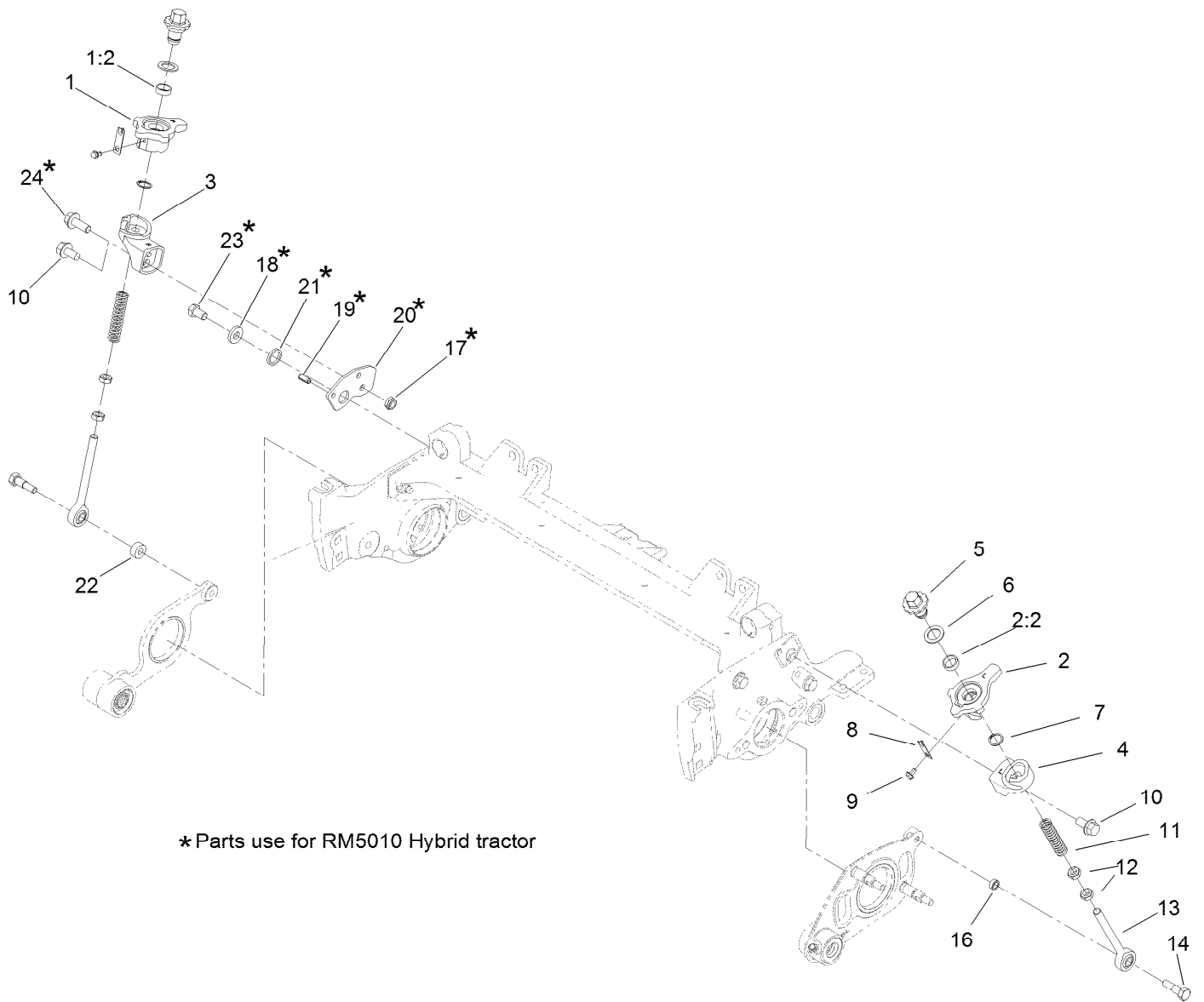
Ref.	Part Number	Qty.	Description
1	112-7451	2	Screw-TAP
2	48-9220	4	Washer
3	104-8301	4	Nut-Flange, NI
4	322-16	2	Screw-HH
5	32128-20	2	Nut-HF
6	125-2797	1	Bracket-HOC, Groomer (LH)
7	125-2798	1	Bracket-HOC, Groomer (RH)
8	127-0297	1	22 Inch Groomer Blade ASM
9	107-8844	1	O-Ring
10	108-4172	2	Seal-Excluder



22 Inch Groomer Blade Assembly No. 127-0297

<i>Ref.</i>	<i>Part Number</i>	<i>Qty.</i>	<i>Description</i>
1	127-0298	1	Shaft-Groomer, 22 Inch
2	112-6963	40	Blade-Groomer
3	107-4430	41	Spacer-Plastic
4	3296-60	2	Nut-Lock, NI
5	70-1350	2	Spacer-Plastic
6	127-7120	1	Fairway Broomer Kit ●
6:1	127-7119	5	Brush-Broomer
6:2	108-4175	4	Strap-Brush, Broomer

● Optional Equipment

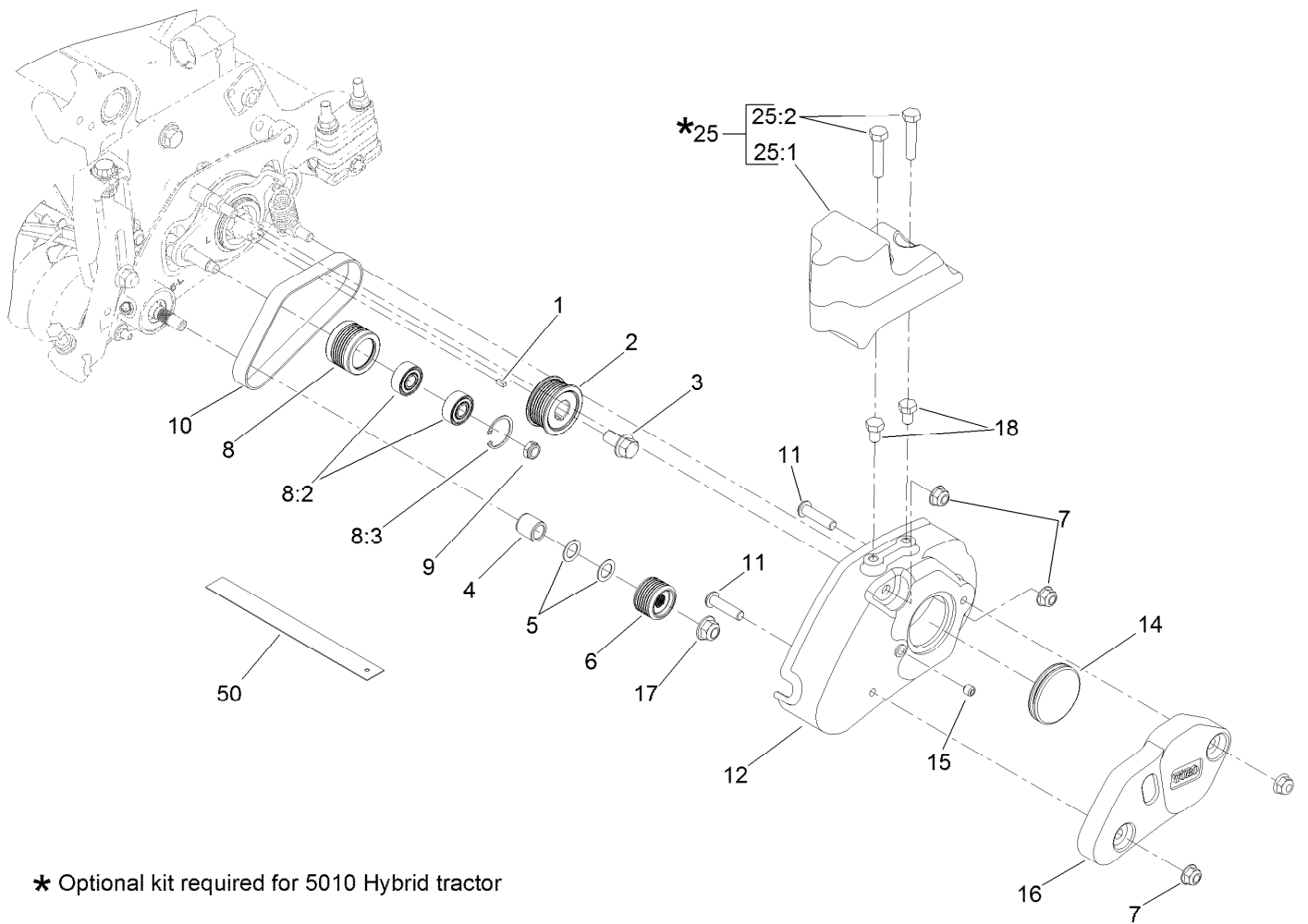


*Parts use for RM5010 Hybrid tractor

Groomer Quick Up Assembly

Ref.	Part Number	Qty.	Description
1	108-4465	1	RH Upper Ramp ASM
1:2	108-4211	1	Bushing
2	108-4464	1	LH Upper Ramp ASM
2:2	108-4211	1	Bushing
3	107-7755	1	Ramp-Lower, RH
4	107-7753	1	Ramp-Lower, LH
5	107-7763	2	Adjuster-Groomer
6	3256-69	2	Washer-Flat
7	32120-64	2	Ring-Snap, External
8	104-4754	2	Spring-Detent
9	104-2065	2	Screw-HWH
10	3234-1	2	Screw-HHF
11	108-4469	2	Spring-Compression

Ref.	Part Number	Qty.	Description
12	3220-3	4	Nut-HJ
13	107-7769	2	Rod-Ball Joint
14	121-6991	2	Bolt-Shoulder
16	99-2018	1	Spacer-Arm, Idler
17	3296-59	1	Nut-Lock, NI
18	43-0940	1	Spacer
19	32121-134	1	Pin-Roll
20	127-4256	1	Plate-Groomer, 5 Inch
21	127-4254	1	Spacer
22	121-1759	1	Spacer
23	115-8486	1	Screw-HH
24	3234-42	1	Screw-HHF



* Optional kit required for 5010 Hybrid tractor

Groomer Cover and Drive Assembly

Ref.	Part Number	Qty.	Description	Ref.	Part Number	Qty.	Description
1	95-9619	1	Key-Square	11	3290-511	2	Screw-HSBH
2	107-7797	1	Pulley-Drive	12	127-4262-03	1	Cover-Groomer, LH (5 Inch)
3	110-1718	1	Screw-HHF	14	105-5761	1	Grommet
4	108-4491	1	Spacer	15	3246-2	1	Screw-Set, HSH
5	112-6957	2	Washer-Hardened	16	108-4494-03	1	Weight-Groomer
6	112-6974	1	Pulley-Spline Driven	17	104-8301	1	Nut-Flange, NI
7	104-8300	4	Nut-Flange, NI	18	322-1	2	Screw-HH
8	110-1713	1	Idler Pulley ASM	25	130-4147	1	5In Groomer/RRB Electric Weight Kit
8:2	110-1701	2	Bearing	25:1	127-4259-03	5	Weight-End
8:3	32151-60	1	Ring-Snap	25:2	322-7	10	Screw-HH
9	3296-47	1	Nut-Lock, NI	50	114-5446	1	Tool-Alignment ●
10	108-4497	1	Belt-Groomer				

● Optional Equipment

Notes:

Notes:

Notes:



Count on it.