



Count on it.

Parts Catalog

GrandStand® Mower

With 52in TURBO FORCE® Cutting Unit

Model No. 74575—Serial No. 315000001 and Up



Ordering Replacement Parts

To order replacement parts, please supply the part number, the quantity, and the description of each part desired.

Understanding Reference Numbers

Each identified part in an illustration has a reference number. The reference number for a part also appears in the parts list, along with other information about the part.

This catalog uses two special reference number formats, one to indicate parts in a service assembly and another to indicate the quantity of a given part in an illustration.

Service Assembly Reference Numbers

Parts in service assemblies have reference numbers in the form a:b. The a represents the reference number of the entire service assembly and the b represents a sequential number unique to each part within the service assembly.

For example, a wheel assembly might be identified by reference number 6, the tire by 6:1, the valve by 6:2, and the wheel by 6:3. When you order the assembly identified by reference number 6, you receive all parts identified by reference numbers 6:1, 6:2, and 6:3. However, you may also order any part individually. Reference numbers of this type appear in illustration and in parts lists.

Reference Numbers Indicating Quantity

In an illustration, if a reference number indicates more than one part, the reference number has the form nX y. The n represents the quantity of the part, the X is the multiplication symbol, and the y represents the reference number.

For example, in an illustration, the reference number 2X 37 means that two of the parts identified by reference number 37 are indicated.

List of Abbreviations

AR: as required

ASM: assembly

BBC: blade brake control

BHTF: button head thread forming

CARR: carriage

CCW: counter clockwise

CW: clockwise

DEG: degrees

DPA: Dual Point Adjustment

ECM: electronic control module

EXT: external

FH: flat head

GA: gauge

HD: heavy-duty

HF: hex flange

HH: hex head

HHF: hex head flange

HHFTF: hex head flange thread forming

HJ: hex jam

HLH: hex lag head

HOC: height-of-cut

HP: high pressure

HSBH: hex socket button head

HSFH: hex socket flat head

HSH: hex socket head

HWH: hex washer head

HWHTF: hex washer head thread forming

HYD: hydraulic

LH: left hand

LP: low pressure

LPG: Liquefied Petroleum Gas

NI: nylon insert

NPTF: national pipe thread fine

PFH: phillips flat head

PPH: phillips pan head

PPHTF: phillips pan head thread forming

PRH: phillips round head

PTH: phillips truss head

PTO: power-take-off

RH: right hand

ROPS: roll-over protection system

RRB: rear roller brush

SFH: slotted fillister head

SHH: slotted hex head

SHWH: slotted hex washer head

SPH: slotted pan head

SQH: square head

SRH: slotted round head

STD: standard

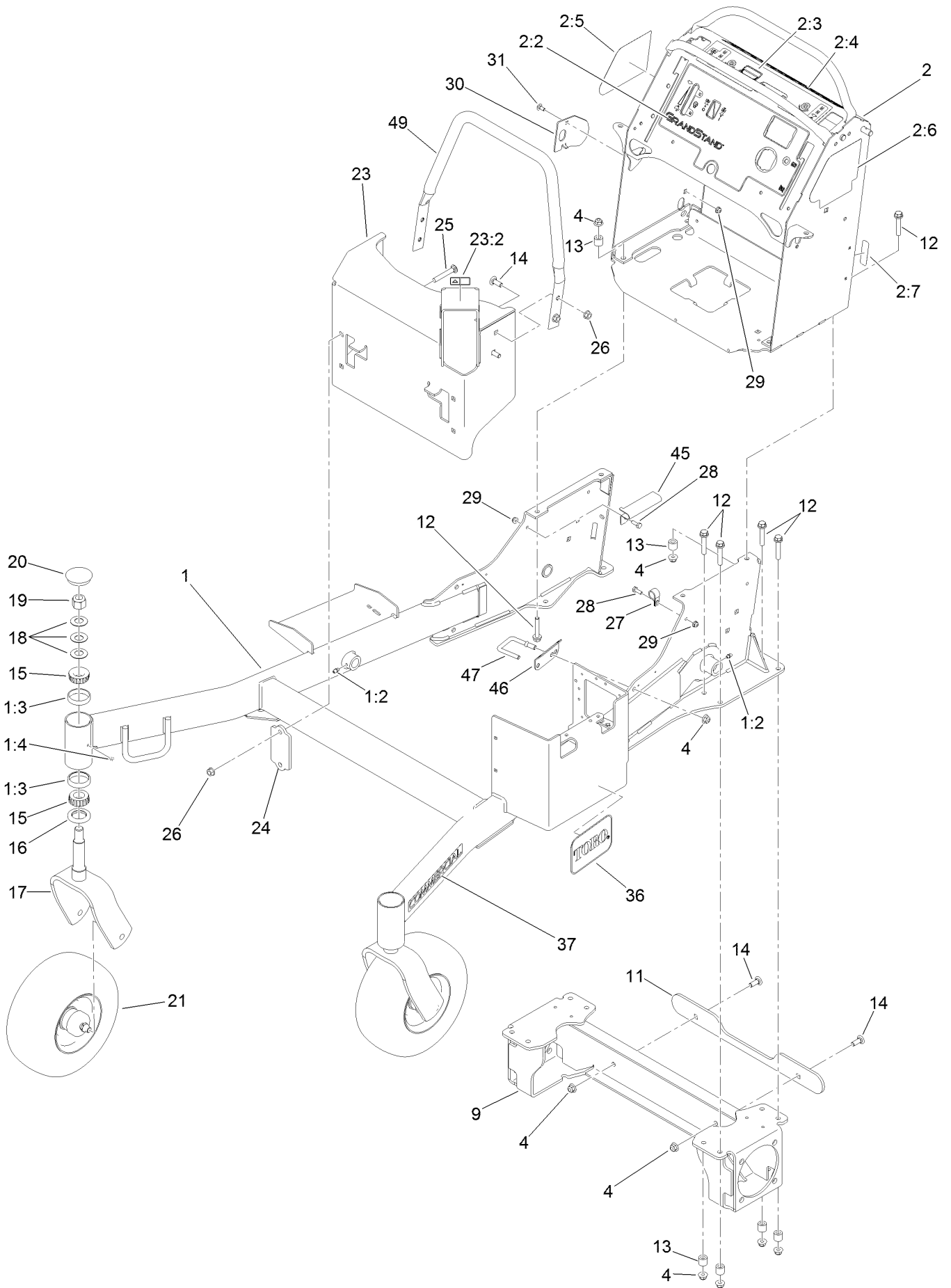
TAP: self tapping

TTH: torx truss head

Contents

Frame Assembly	4
Wheel, Tire and Bearing Assembly No. 130-4558	6
Parking Brake Assembly	8
Decklift Assembly	10
Cushion and Platform Assembly	12
Cushion Assembly No. 130-1768	14
Platform Assembly No. 117-9640	16
Ground Drive Assembly	18
Hydraulic Wheel Motor Assembly No. 120-8486	20
Pump Idler Assembly	22
Hydraulic System Assembly	24
Hydraulic Pump Assembly No. 125-4672	26
Control Assembly	28
Engine Assembly	30
Fuel Tank Assembly	32
Vent Hose Assembly	34
Electrical Assembly	36
Deck Assembly	38
Deck Decal Assembly No. 120-6405	40
Idler Arm Assembly No. 120-6410	42
Idler Adjust Assembly No. 117-0446	44
Spindle Assembly No. 119-8560	46
Deflector Assembly No. 120-2451	48
Attachments and Accessories	50

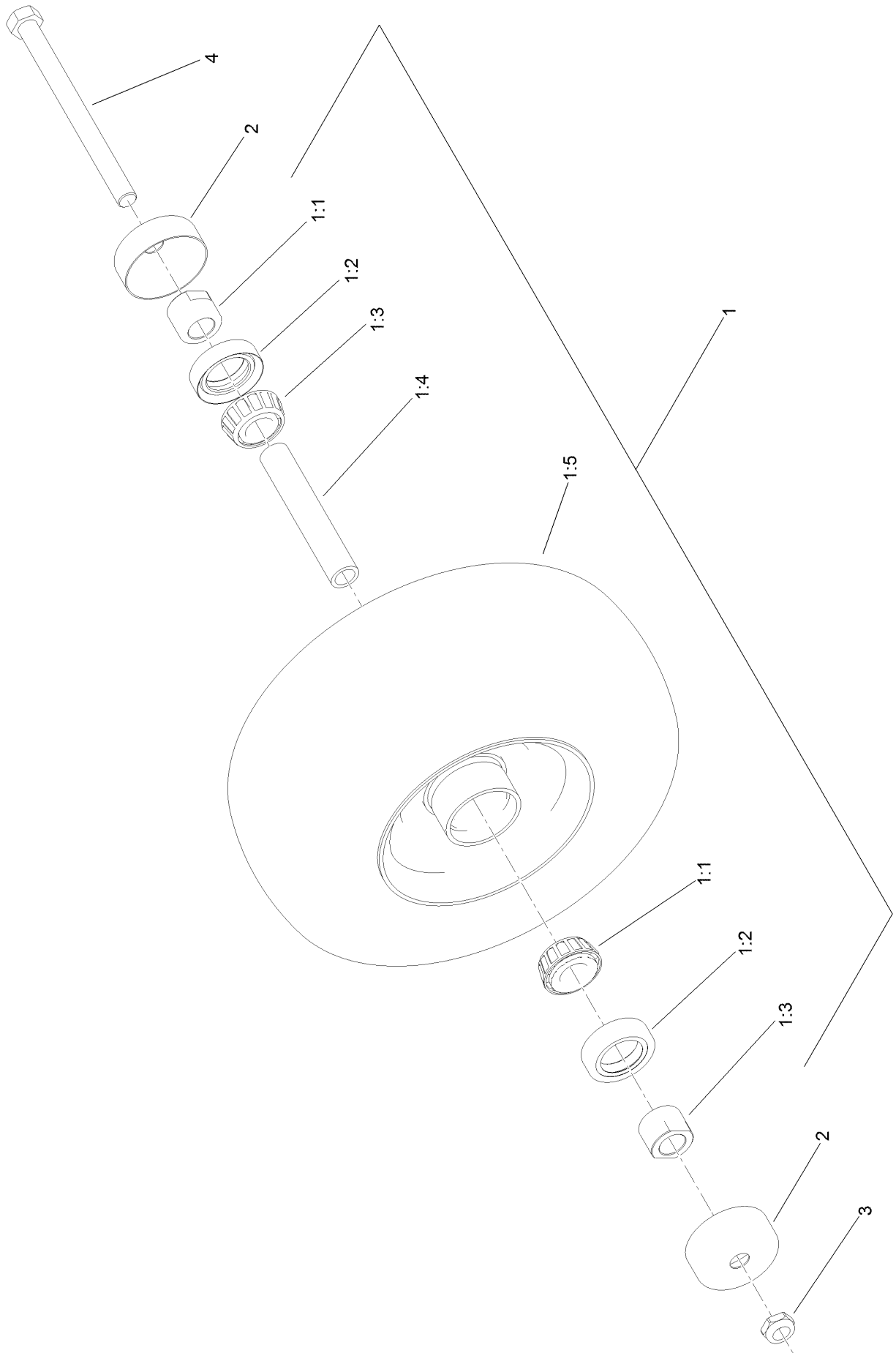
Frame Assembly



Frame Assembly (continued)

<i>Ref.</i>	<i>Part Number</i>	<i>Qty.</i>	<i>Description</i>	<i>Ref.</i>	<i>Part Number</i>	<i>Qty.</i>	<i>Description</i>
1	121-5990	1	Front Frame ASM	19	3296-51	2	Nut-Lock, NI
1:2	302-5	4	Fitting-Grease	20	103-4882	2	Cap-Grease
1:3	1-543508	4	Cup-Bearing	21	130-4558	2	Wheel/Tire And Bearing ASM
1:4	1-811010	2	Plug	23	131-3565	1	Muffler Guard ASM
2	120-6460	1	Control Tower ASM	23:2	106-5517	1	Decal-Warning, Hot Surface
2:2	120-6464	1	Decal-Panel, Control	24	119-7303-01	2	Bracket-Mounting, Guard
2:3	119-8727	1	Decal-Opc	25	3231-31	4	Screw-CARR
2:4	117-3626	1	Decal-Warning	26	32128-21	8	Nut-HF
2:5	117-0456	1	Decal-HOC	27	2412-87	1	Clamp-Cable
2:6	121-5972	1	Decal-Service/Spark Arrest	28	321-4	2	Screw-HH
2:7	116-8772	1	Decal-Fuse	29	104-7201	3	Nut-HF
4	104-8301	16	Nut-Flange, NI	30	119-7312	1	Plate-Striker
9	116-9560-01	1	Frame-Motor	31	3229-11	1	Screw-CARR
11	126-1364-01	1	Plate-Spacer, Bumper	36	68-3640	1	Decal
12	108-3742	12	Screw-HHF	37	117-3591	2	Decal-Commercial
13	121-1760	12	Spacer	45	116-5067	1	Bracket-Hose, Fuel (Double)
14	3231-22	6	Screw-CARR	46	121-6003	2	Guard-Hose
15	1-543509	4	Bearing-Roller, Tapered	47	121-6004	2	Guide-Hose
16	116-5647	2	Seal-Grease	49	116-8152-03	1	Tube-Guard
17	121-7988-01	2	Fork-Caster				
18	1-633508	6	Washer-Bellville				

Wheel, Tire and Bearing Assembly No. 130-4558



Wheel, Tire and Bearing Assembly No. 130-4558 (continued)

<i>Ref.</i>	<i>Part Number</i>	<i>Qty.</i>	<i>Description</i>	<i>Ref.</i>	<i>Part Number</i>	<i>Qty.</i>	<i>Description</i>
1		1	Wheel And Bearing ASM ●	1:5	130-4563	1	Wheel And Tire ASM
1:1	1-633585	2	Bearing-Cone, Taper	2	103-2768	2	Guard-Seal
1:2	103-0063	2	Seal-Caster	3	3296-45	1	Nut-Lock, NI
1:3	103-3051	2	Spacer-Nut ■	4	325-20	1	Screw-HH
1:4	103-3157	1	Axle-Caster				

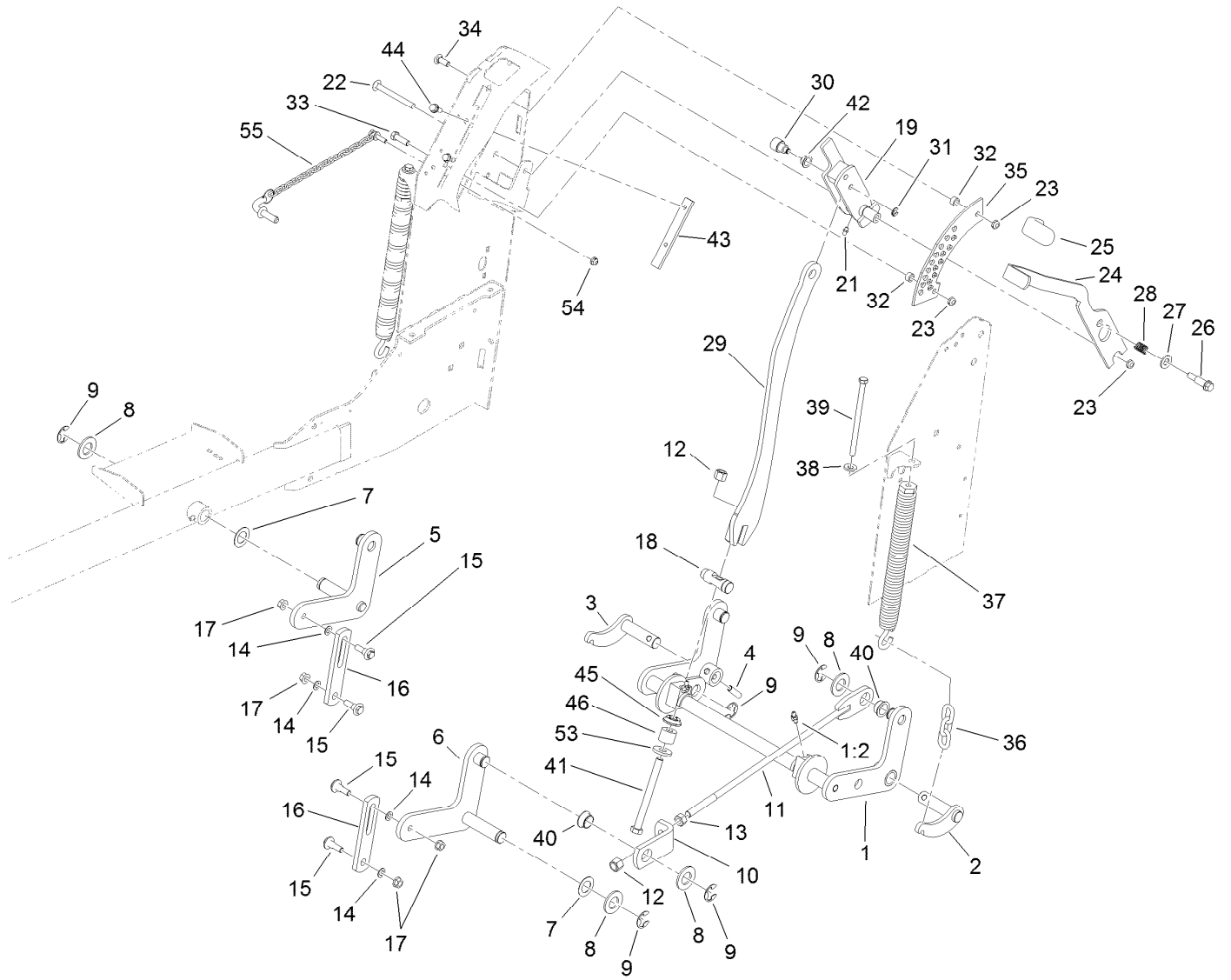
● Not serviced separately

■ Use Pro-Lock, Nut Type (P/N 1-840022, .5ml tube) on spacer nut

Parking Brake Assembly (continued)

<i>Ref.</i>	<i>Part Number</i>	<i>Qty.</i>	<i>Description</i>	<i>Ref.</i>	<i>Part Number</i>	<i>Qty.</i>	<i>Description</i>
1	119-8730-03	1	Bar-Brake	16	117-5759-03	1	Lever-Brake
2	114-5186-01	2	Support-Brake	17	1-633268	1	Grip-Lever
3	614672	1	Bolt-Shoulder	18	3256-24	2	Washer-Flat
4	5-0652	1	Spacer	19	1-633131	1	Yoke-Linkage, Brake
5	104-8301	3	Nut-Flange, NI	20	119-7244	1	Rod-Brake
6	117-9684	1	Spacer	21	3220-3	3	Nut-HJ
7	323-20	1	Screw-HH	22	283-2	2	Pin-Clevis
8	117-9683	1	Spacer	23	3290-307	2	Pin-Hair
9	117-9682	1	Spring-Torsion	24	119-8780-03	1	Arm-Brake
10	1-373034	1	Washer	25	1-303007	1	Washer
11	117-0452-03	1	Plate-Switch, Brake	26	119-4164	1	Washer-Wave
12	3231-44	1	Screw-CARR	27	98-5975	1	Washer-Belleville
13	63-7400	1	Washer-Rebound	28	3296-6	1	Nut-Lock
14	106-3214	1	Mount-Pulley				

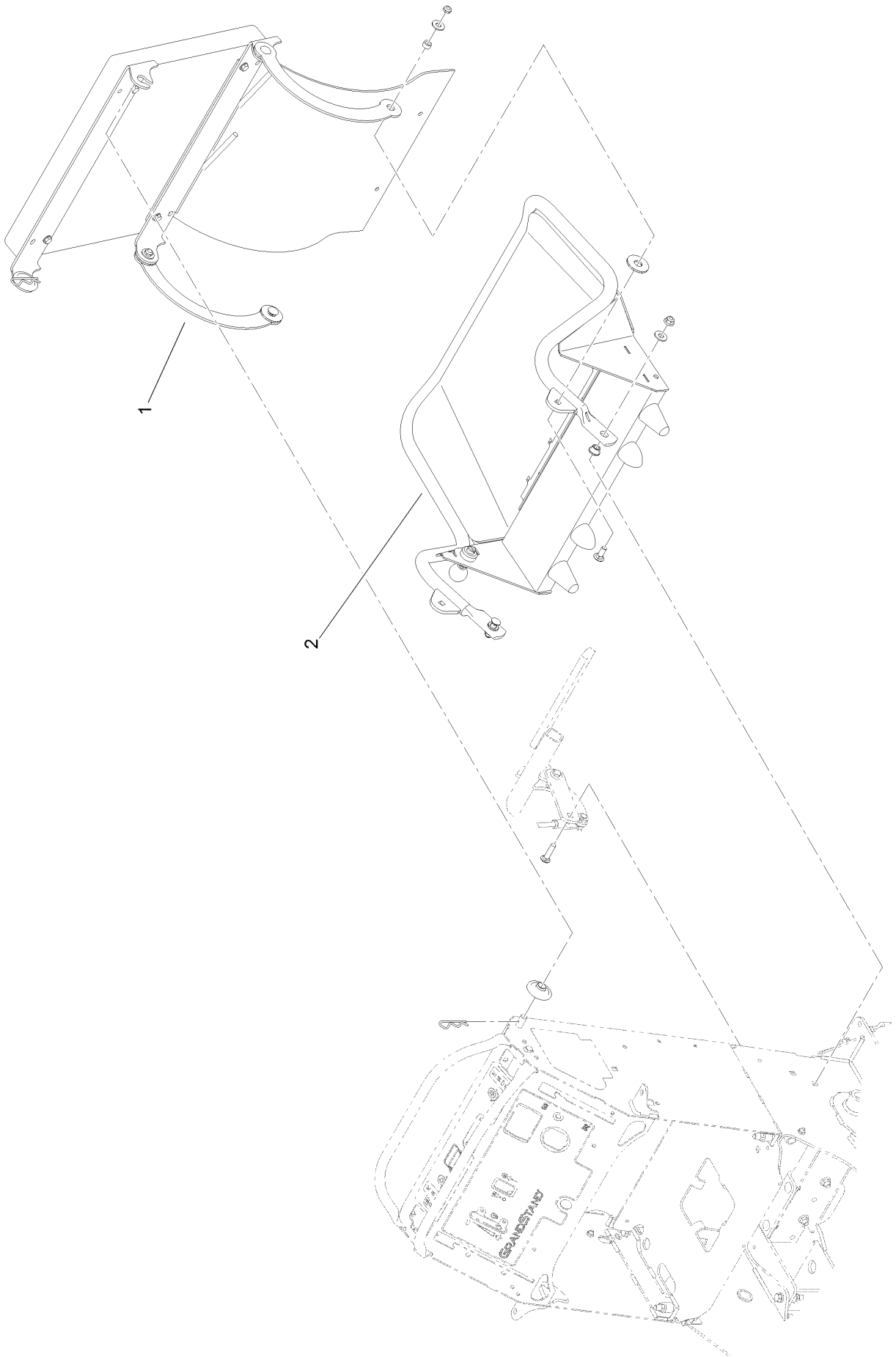
Decklift Assembly



Decklift Assembly (continued)

<i>Ref.</i>	<i>Part Number</i>	<i>Qty.</i>	<i>Description</i>	<i>Ref.</i>	<i>Part Number</i>	<i>Qty.</i>	<i>Description</i>
1	116-3103	1	Rear Crossshaft ASM	26	66-0561	1	Screw-Shoulder
1:2	302-11	2	Fitting-Lube, 45 DEG	27	3256-26	1	Washer-Flat
2	116-3104-01	1	Shaft-Pivot, LH	28	65-9940	1	Spring
3	116-3105-01	1	Shaft-Pivot, RH	29	116-2939	1	Bar-Lift
4	116-3107	2	Pin-Spiral	30	116-3048	1	Hub-Pivot
5	121-5994-01	1	Arm-Lift, RH	31	32151-47	1	Ring-Retaining
6	121-5993-01	1	Arm-Lift, LH	32	111044	2	Spacer
7	110-6767	2	Washer-Thrust	33	323-7	1	Screw-HH
8	3256-29	6	Washer-Flat	34	3231-22	1	Screw-CARR
9	32151-103	7	Ring-Retaining, EXT	35	114-5307	1	Bracket-HOC
10	116-2901	2	Bracket-Lift Rod	36	103-9859	2	Chain-Decklift
11	116-8676	2	Lift Rod ASM	37	116-0886	2	Extension Spring ASM
12	3296-23	3	Nut-Lock, NI	38	98-5975	2	Washer-Belleville
13	3217-9	2	Nut-HH	39	323-58	2	Bolt-TAP, HH
14	40-1940	4	Washer	40	116-2909	4	Bearing-Flange
15	109-9840	4	Screw-Shoulder, HHF	41	325-22	1	Screw-HH
16	117-0519	2	Link-Lift	42	116-3047	1	Bearing-Flange
17	32128-21	4	Nut-HF	43	116-3124	1	Skid-Handle, Lift
18	114-5274	1	Pin-HOC	44	32144-70	2	Screw-HWHTF
19	114-3512	1	HOC Handle ASM	45	116-3625	1	Seat-Spring
21	302-5	1	Fitting-Grease	46	116-3241	1	Spring-Urethane
22	3231-24	1	Screw-CARR	53	92-2651	1	Washer
23	3296-59	3	Nut-Lock, NI	54	104-7201	1	Nut-HF
24	114-1878-03	1	Lever-HOC	55	114-0409	1	HOC Pin ASM
25	1-633268	1	Grip-Lever				

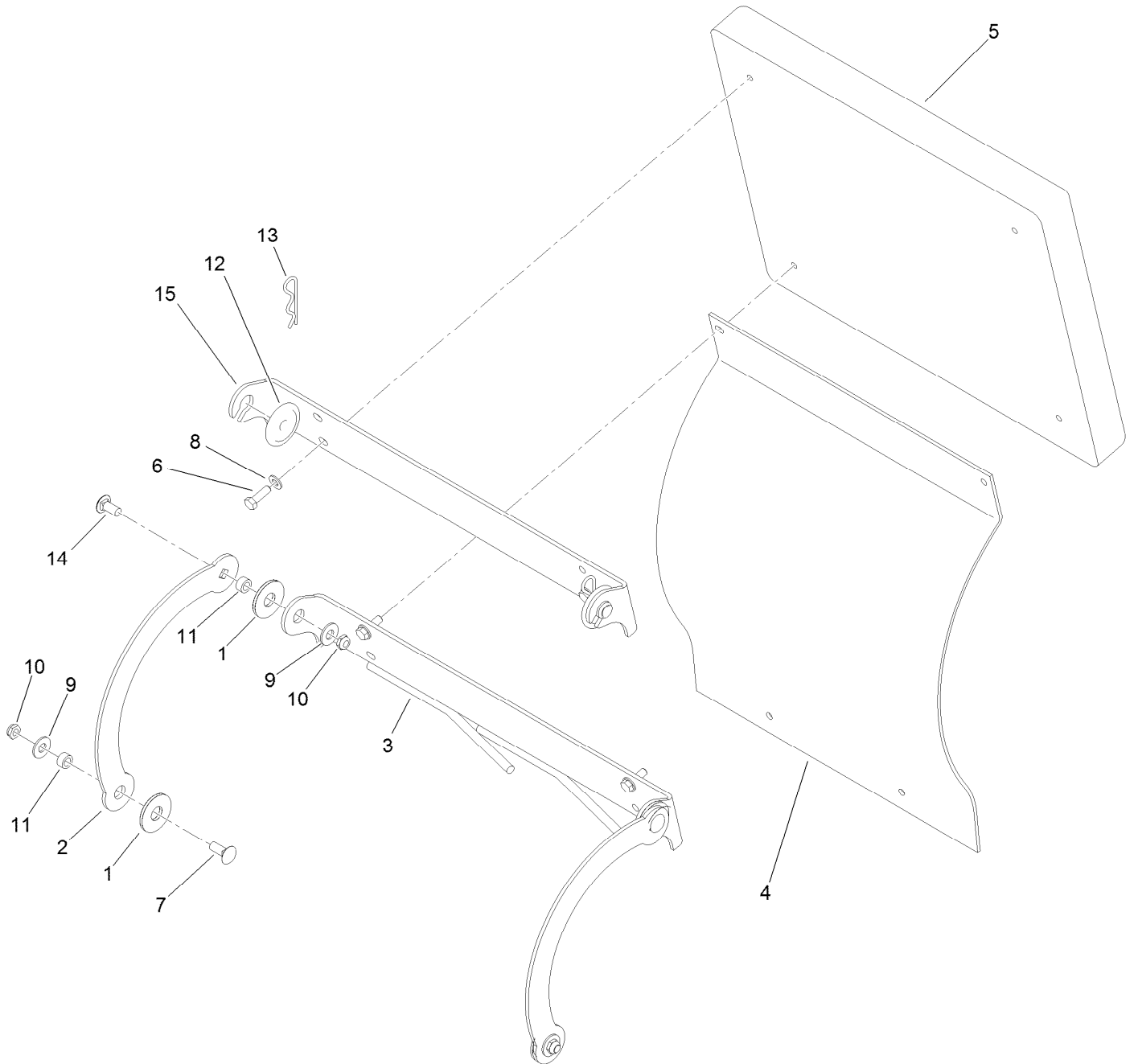
Cushion and Platform Assembly



Cushion and Platform Assembly (continued)

<i>Ref.</i>	<i>Part Number</i>	<i>Qty.</i>	<i>Description</i>
1	130-1768	1	Cushion ASM
2	117-9640	1	Platform ASM

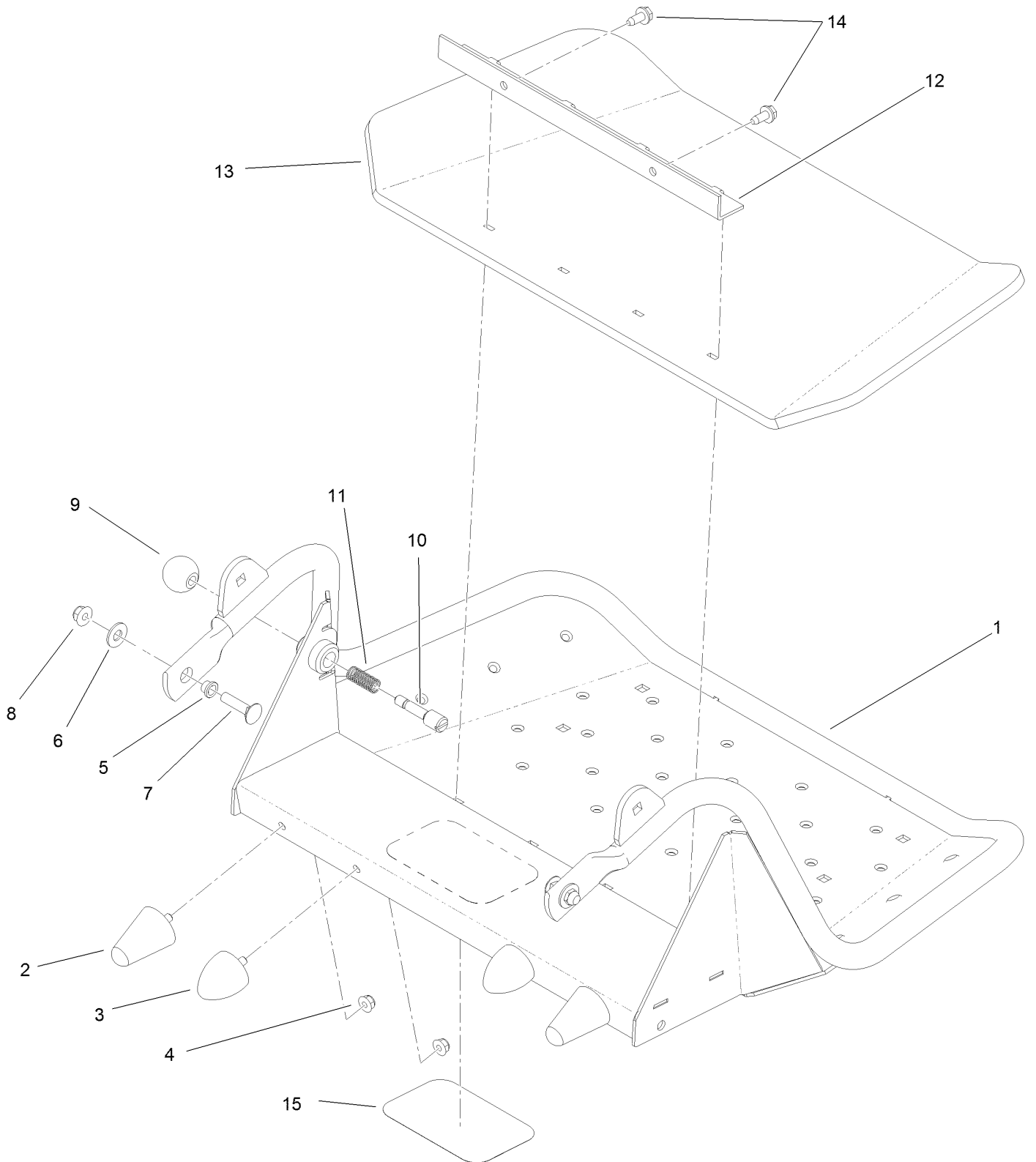
Cushion Assembly No. 130-1768



Cushion Assembly No. 130-1768 (continued)

<i>Ref.</i>	<i>Part Number</i>	<i>Qty.</i>	<i>Description</i>	<i>Ref.</i>	<i>Part Number</i>	<i>Qty.</i>	<i>Description</i>
1	114-0463	4	Washer-Friction, Composite	9	3256-4	4	Washer-Flat
2	114-1915-01	2	Link-Pad	10	3296-59	4	Nut-Lock, NI
3	119-7369-03	1	Hinge-Lower	11	111044	4	Spacer
4	130-1769	1	Shield-Rear	12	116-2886	2	Slide-Bushing
5	117-9739	1	Pad-Cushion	13	3290-355	2	Pin-Hair
6	121-7999	4	Screw-HH	14	3231-27	2	Screw-CARR
7	3231-2	2	Bolt-CARR	15	116-2757-03	1	Hinge-Pad
8	3256-23	4	Washer-Flat				

Platform Assembly No. 117-9640



Platform Assembly No. 117-9640 (continued)

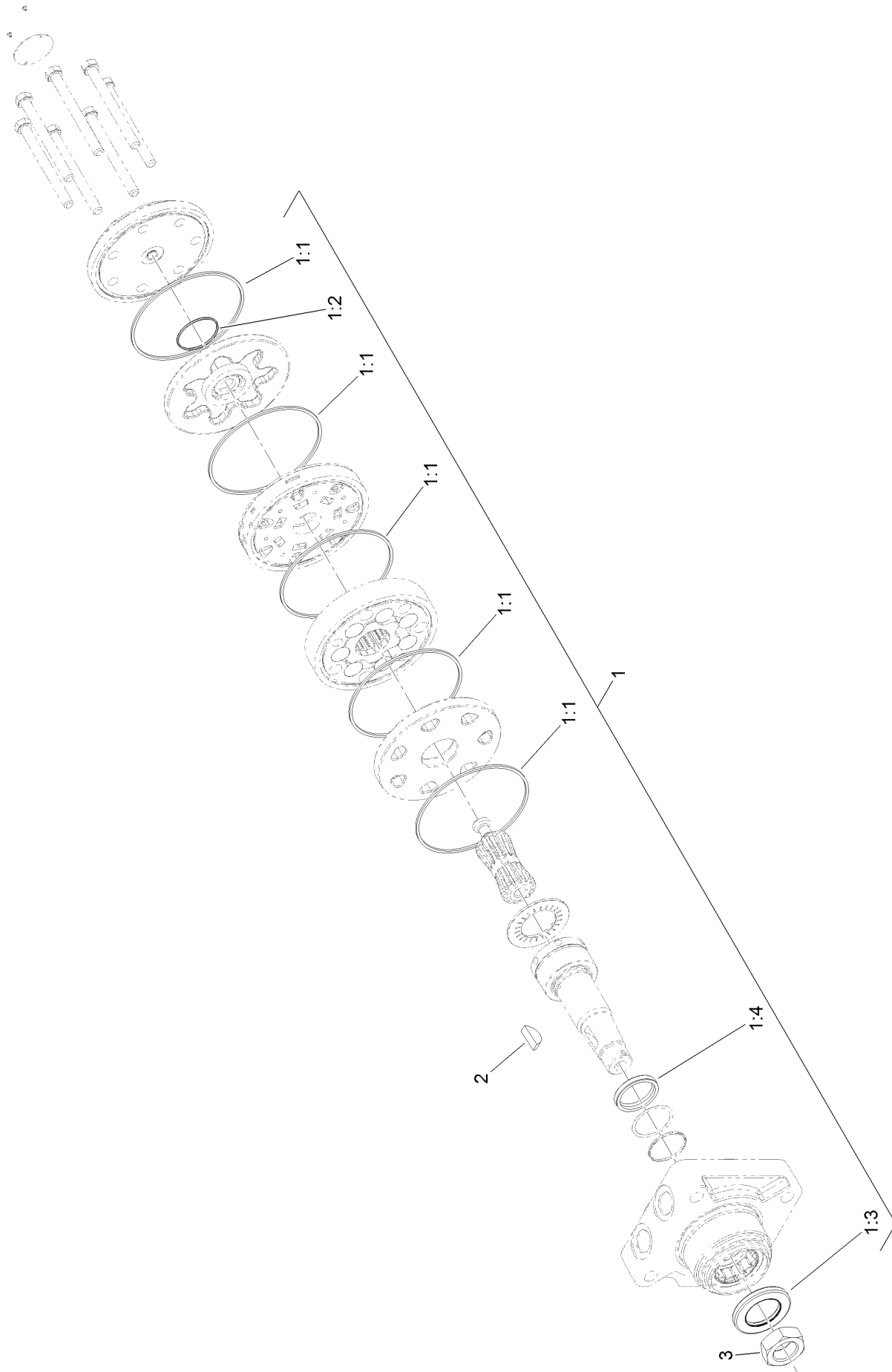
<i>Ref.</i>	<i>Part Number</i>	<i>Qty.</i>	<i>Description</i>	<i>Ref.</i>	<i>Part Number</i>	<i>Qty.</i>	<i>Description</i>
1	117-9641-01	1	Platform	9	1-603175	1	Knob-Ball
2	114-1925	2	Bumper-Rubber	10	119-8650	1	Pin-Latch
3	114-1926	2	Bumper-Rubber	11	114-5348	1	Spring
4	104-8300	4	Nut-Flange, NI	12	114-1920-03	1	Clamp-Shield
5	109-8788	2	Bushing-Flanged	13	114-5349	1	Mat-Foot
6	3256-4	2	Washer-Flat	14	32144-70	2	Screw-HWHTF
7	3231-4	2	Screw-CARR	15	68-3640	1	Decal
8	104-8301	2	Nut-Flange, NI				

Ground Drive Assembly (continued)

<i>Ref.</i>	<i>Part Number</i>	<i>Qty.</i>	<i>Description</i>	<i>Ref.</i>	<i>Part Number</i>	<i>Qty.</i>	<i>Description</i>
1	120-8486	2	Motor-Wheel	40	130-4561	2	Wheel And Tire ASM
2	3257-42	2	Key-Woodruff	40:1	130-4564	1	Rim-8 Inch, Gray
3	106-8159	2	Nut-Lock	40:2	120-6466	1	Tire
4	325-11	8	Screw-HH	40:3	232-27	1	Stem-Valve
5	18-3209	2	Wheel Hub / Stud ASM	41	242-50	8	Nut-Lug
5:1	10-6870-03	1	Hub-Wheel	42	114567	1	Belt-V, Lower PTO
5:2	10-6830	4	Stud-Type, Drive	43	3234-42	5	Screw-HHF
6	120-6456-01	1	Base-Engine	44	3274-63	3	Screw-HSBH
7	119-8662	2	Plate-Lift	48	121-1760	1	Spacer
8	3231-25	6	Bolt-CARR	49	116-3362	1	Clip-Tube
9	98-5975	8	Washer-Belleville	50	3256-24	1	Washer-Flat
10	104-8301	15	Nut-Flange, NI	51	323-8	1	Screw-HH
15	1-807272	2	Key	52	1-513435	8	Washer-Spring
16	105-5648	2	Pulley-Pump	57	3296-59	1	Nut-Lock, NI
17	3241-5	4	Screw-Set	58	104-8426	1	Spacer
18		1	Pump Idler ASM ●	59	614672	1	Bolt-Shoulder
34	1-653069	1	Spacer-Wheel	62	3296-23	8	Nut-Lock, NI
35	1-633396	1	Clip-Loom				

● Not serviced separately

Hydraulic Wheel Motor Assembly No. 120-8486

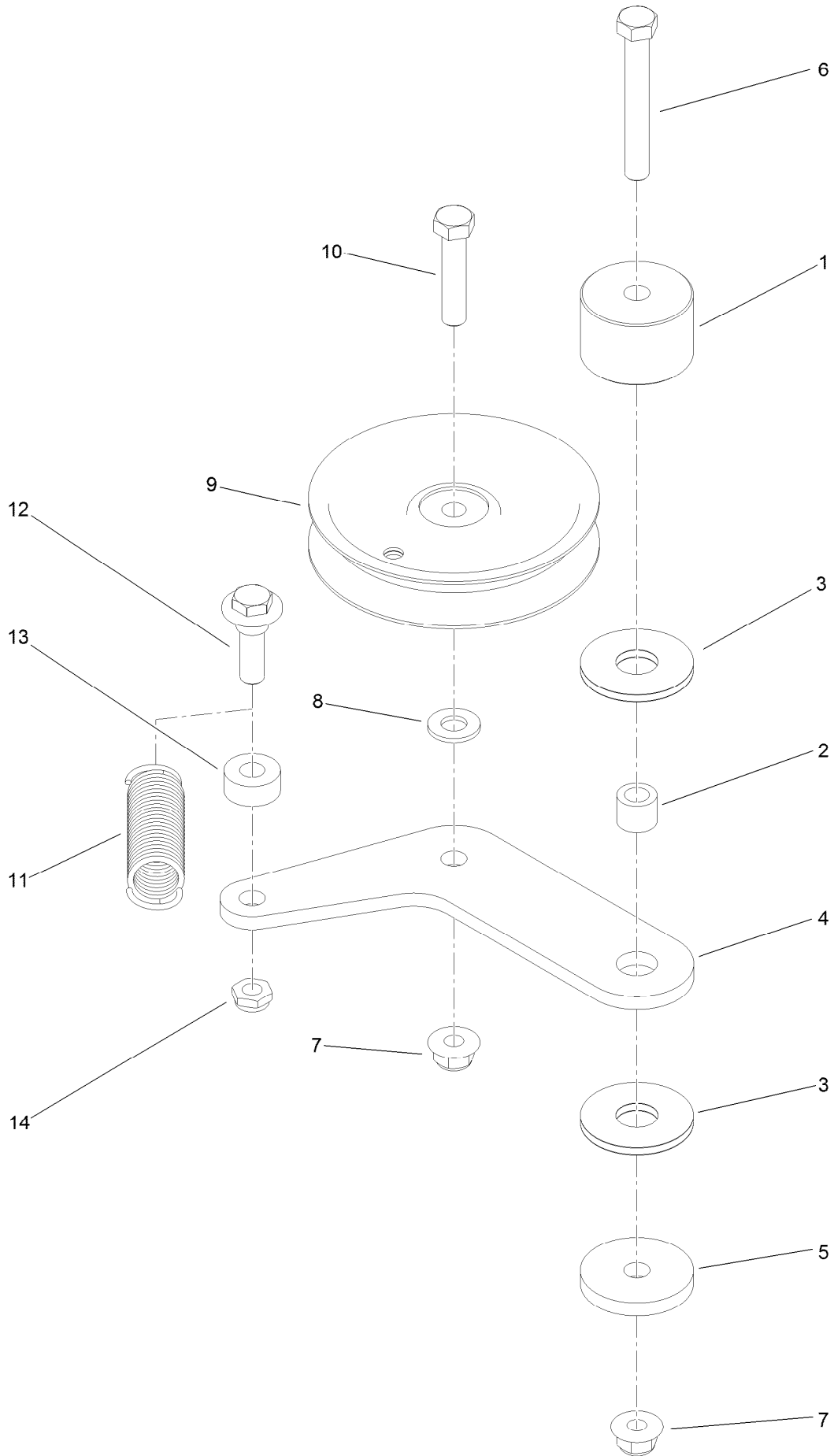


Hydraulic Wheel Motor Assembly No. 120-8486 (continued)

<i>Ref.</i>	<i>Part Number</i>	<i>Qty.</i>	<i>Description</i>	<i>Ref.</i>	<i>Part Number</i>	<i>Qty.</i>	<i>Description</i>
1	130-1788	1	Seal Kit	1:4		1	Seal-Shaft ●
1:1		5	Seal-Ring, Viton ●	2	3257-42	1	Key-Woodruff
1:2		1	Seal-Commutator ●	3	106-8159	1	Nut-Lock
1:3		1	Seal-Dirt/Water, Hi Temp ●				

● Not serviced separately

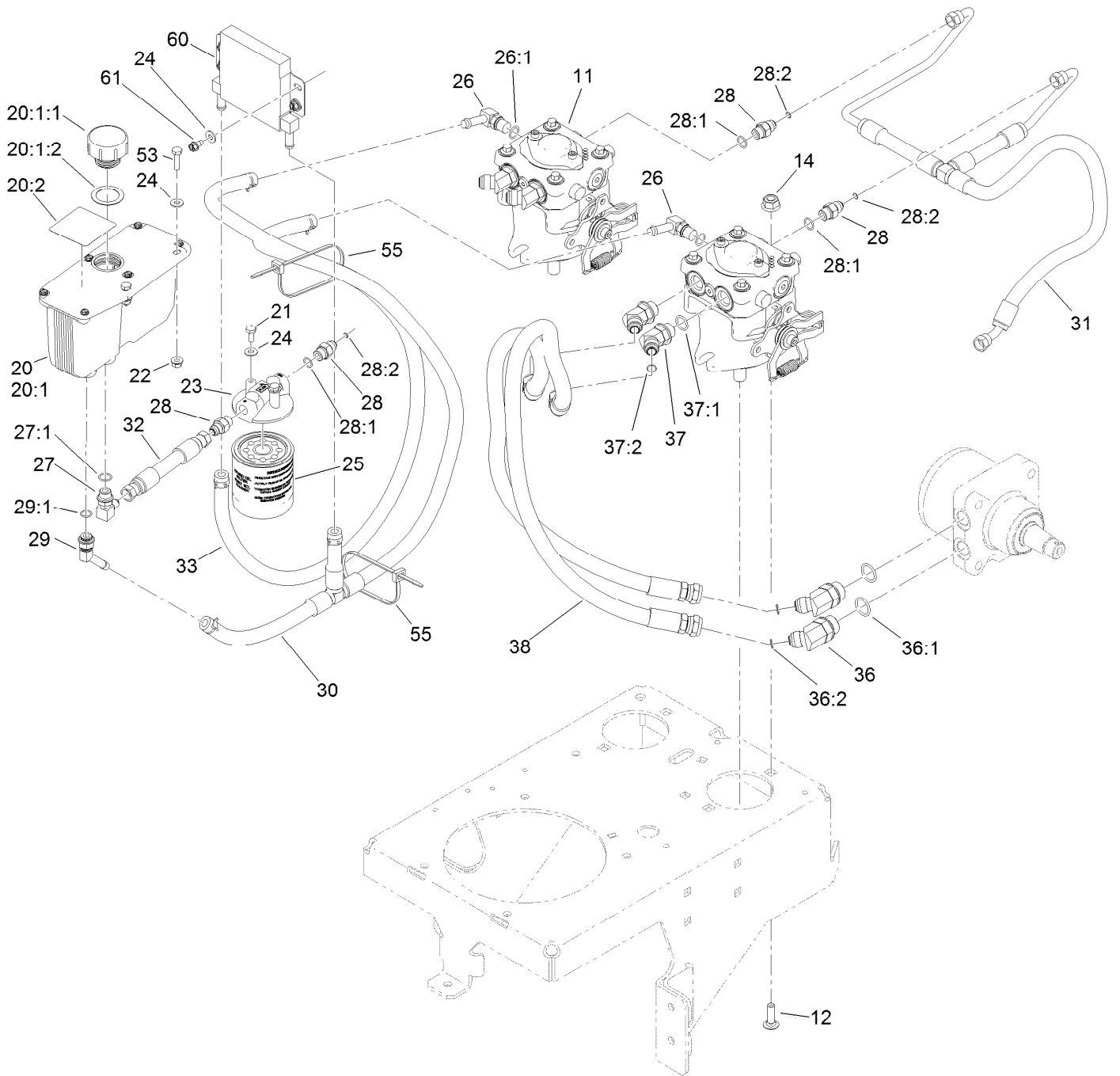
Pump Idler Assembly



Pump Idler Assembly (continued)

<i>Ref.</i>	<i>Part Number</i>	<i>Qty.</i>	<i>Description</i>	<i>Ref.</i>	<i>Part Number</i>	<i>Qty.</i>	<i>Description</i>
1	116-7599	1	Hub, Idler	8	3256-24	1	Washer-Flat
2	1-413088	1	Bushing-Lever, Lift	9	93-1622	1	Pulley-Idler
3	114-0463	2	Washer-Friction, Composite	10	323-9	1	Screw-HH
4	119-8737	1	Plate-Idler	11	108-4056	1	Spring-Extension
5	110-9981	1	Washer-Plain	12	614672	1	Bolt-Shoulder
6	323-13	1	Screw-HH	13	104-8426	1	Spacer
7	104-8301	2	Nut-Flange, NI	14	3296-59	1	Nut-Lock, NI

Hydraulic System Assembly

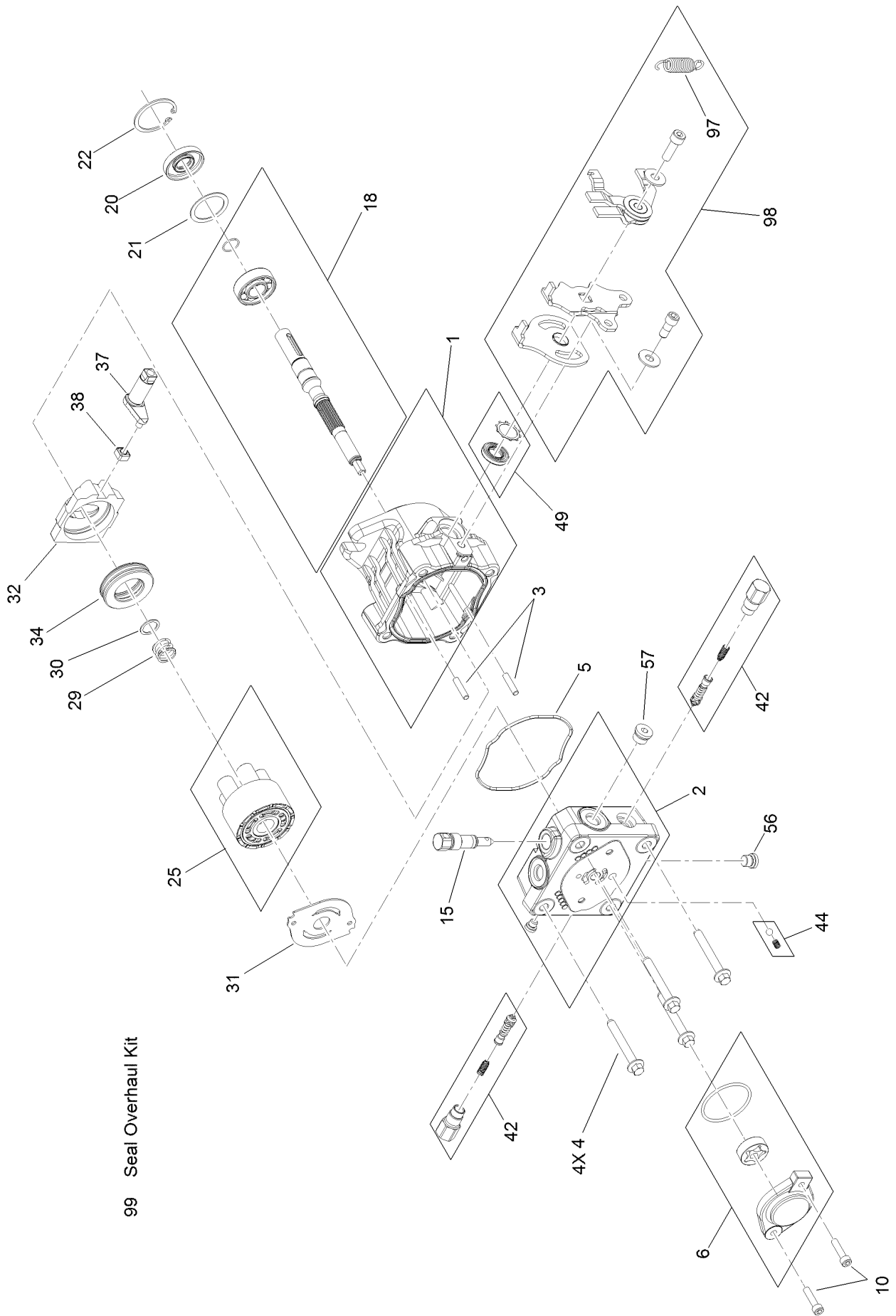


Hydraulic System Assembly (continued)

<i>Ref.</i>	<i>Part Number</i>	<i>Qty.</i>	<i>Description</i>	<i>Ref.</i>	<i>Part Number</i>	<i>Qty.</i>	<i>Description</i>
11	125-4672	2	Hydraulic Pump ASM	28:2	103-1020	1	O-Ring
12	3232-3	4	Bolt-CARR	29	103-1807	1	Fitting-Barbed, 45 DEG
14	114-8417	4	Nut-HF, NI	29:1	237-42	1	O-Ring
20	107-8433	1	HYD Reservoir ASM	30	121-5981	1	Case Drain Hose ASM
20:1		1	Reservoir-HYD ●	31	121-5968	1	Charge Hose ASM
20:1:1	103-1948	1	Cap-Reservoir, HYD	32	121-5983	1	HYD Hose ASM
20:1:2	103-1949	1	Gasket-Cap	33	121-5982	1	Case Drain Hose ASM
20:2	115-4212	1	Decal-Warning	36	1-523222	4	Fitting-HYD, 45 DEG
21	321-3	2	Screw-HH	36:1	1-603919	1	O-Ring
22	32128-32	2	Nut-HHF	36:2	1-603992	1	O-Ring
23	104-7836	1	Head-Filter	37	1-523221	4	Fitting-HYD, 45 DEG
24	3256-22	8	Washer-Flat	37:1	1-603920	1	O-Ring
25	114-3494	1	Element-Filter, 25 Micron	37:2	1-603992	1	O-Ring
26	100-4887	2	Fitting-Barbed, 90 DEG	38	116-6902	4	HYD Hose ASM
26:1	237-42	1	O-Ring	53	321-6	2	Screw-HH
27	103-1802	1	Fitting-HYD, 90 DEG	55	3290-378	2	Tie-Cable
27:1	1-603921	1	O-Ring	60	116-7205	1	Cooler-Oil
28	103-2156	4	Fitting-Straight	61	32104-17	4	Screw-HWH
28:1	1-603921	1	O-Ring				

● Not serviced separately

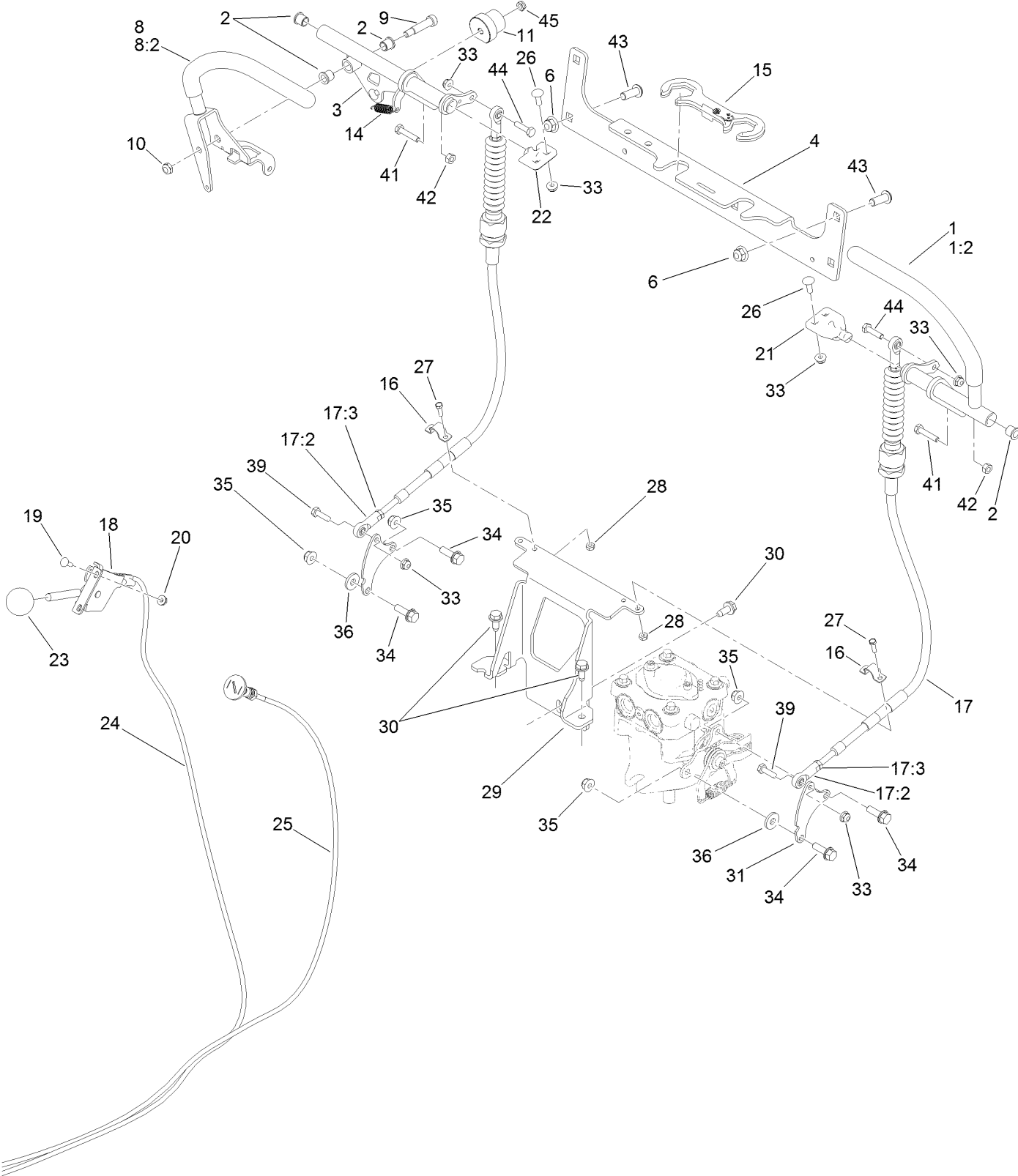
Hydraulic Pump Assembly No. 125-4672



Hydraulic Pump Assembly No. 125-4672 (continued)

<i>Ref.</i>	<i>Part Number</i>	<i>Qty.</i>	<i>Description</i>	<i>Ref.</i>	<i>Part Number</i>	<i>Qty.</i>	<i>Description</i>
1	115-4464	1	Housing Kit	31	105-6185	1	Plate-Valve
2	106-8752	1	End Cap Kit (W/Poppets)	32	94-1907	1	Swashplate-Variable
3	106-8753	2	Pin-Headless, Straight	34	94-6922	1	Bearing-Thrust
4	106-8754	4	Bolt-HF	37	115-4458	1	Arm-Trunnion, Tapered Square
5	125-4682	1	O-Ring	38	94-1910	1	Guide-Slot
6	106-8756	1	Charge Pump Kit	42	125-4683	2	Shock Valve Kit
10	104-2111	2	Capscrew	44	112-4164	1	Charge Relief Kit
15	106-8759	1	Bypass Valve Kit	49	106-8761	1	Trunnion Seal / Retainer Kit
18	103-2664	1	Input Shaft Kit	56	106-8762	1	Plug-HSH
20	104-5310	1	Seal-Lip	57	104-2189	1	Plug-Thread, Straight
21	104-5308	1	Spacer	97	125-4684	1	Spring-Extension
22	104-5309	1	Ring-Retaining	98	115-4046	1	Return Kit
25	103-2666	1	Cylinder Block Kit	99	105-6184	1	Seal Overhaul Kit
29	94-1936	1	Spring-Block				
30	94-1937	1	Washer-Thrust				

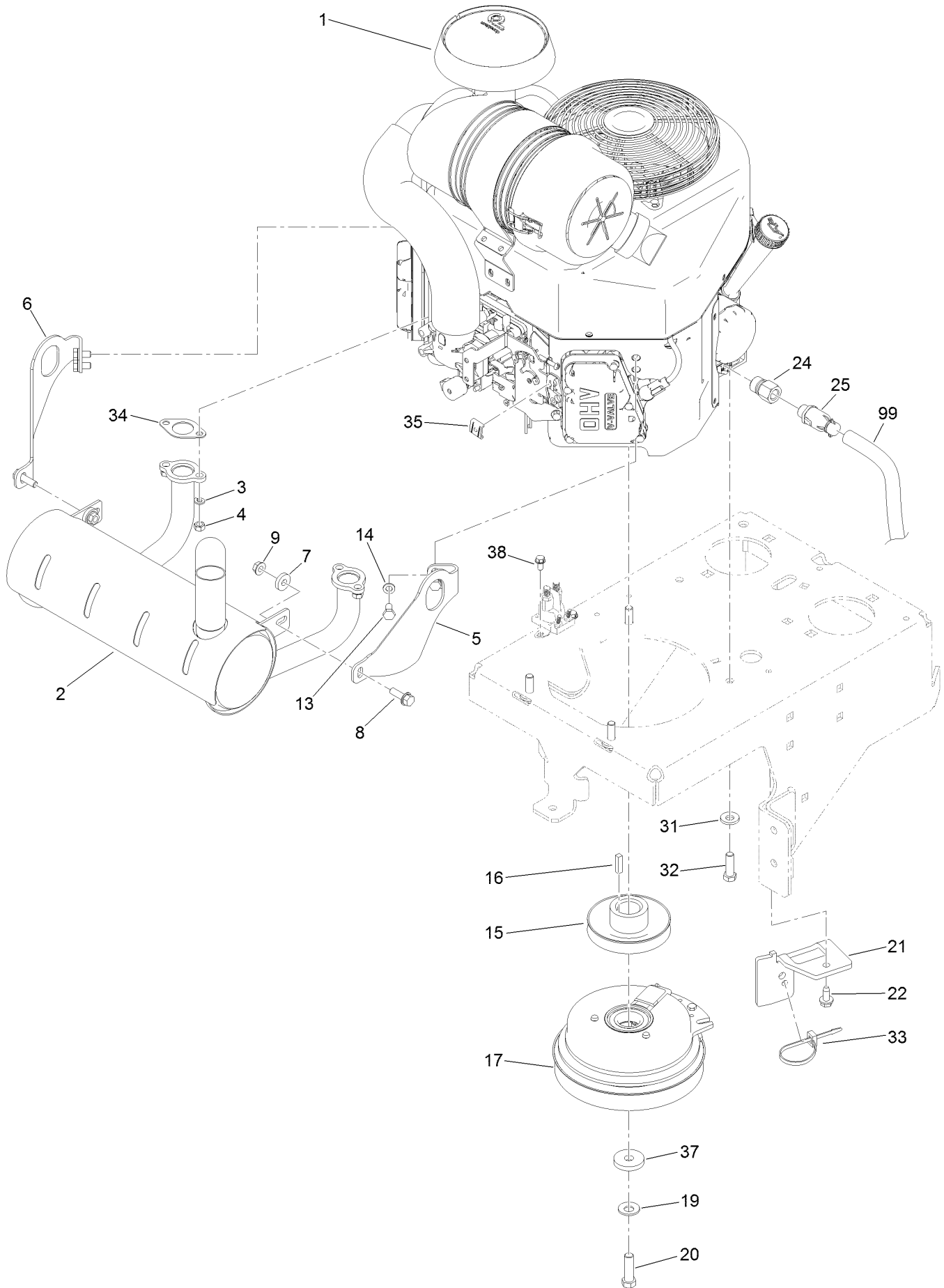
Control Assembly



Control Assembly (continued)

<i>Ref.</i>	<i>Part Number</i>	<i>Qty.</i>	<i>Description</i>	<i>Ref.</i>	<i>Part Number</i>	<i>Qty.</i>	<i>Description</i>
1	121-7993	1	LH Lever ASM	22	120-3287	1	Tab-Pivot, RH
1:2	119-0222	1	Grip	23	1-603175	1	Knob-Ball
2	103-9928	4	Bearing	24	119-6654	1	Cable-Throttle
3	131-3598	1	RH Motion Control ASM	25	119-6655	1	Control-Choke, Push/Pull
4	119-7359-01	1	Bracket-Cross	26	3229-1	4	Bolt-CARR
6	104-8301	4	Nut-Flange, NI	27	3290-134	4	Screw
8	120-8393	1	RH Lever ASM	28	3296-2	4	Nut-Lock, NI
8:2	119-0222	1	Grip	29	119-8746-01	1	Bracket-Mount, Cable
9	114-0239	1	Screw-HSH	30	32144-70	3	Screw-HWHTF
10	3296-47	1	Nut-Lock, NI	31	121-5967	2	Plate-Control, Pump
11	126-1499	1	Cam	33	104-7201	8	Nut-HF
14	114-0249	1	Spring-Extension	34	3234-29	4	Screw-HHF
15	120-8372	1	Lock-Cable	35	104-8300	4	Nut-Flange, NI
16	119-7370	2	Clamp	36	4-2390	2	Washer-Flat
17	119-7366	2	Cable ASM	39	321-5	2	Screw-HH
17:2	119-7379	2	Rod-Ball Joint	41	114-0282	2	Screw-HH
17:3	3220-1	3	Nut-Jam	42	3217-5	2	Nut-Hex
18	110-5547	1	Lever-Control	43	3274-94	4	Screw-HSBH
19	1-807533	2	Bolt-CARR	44	321-6	2	Screw-HH
20	32128-17	2	Nut-Lock, Flange	45	3296-56	1	Nut-Lock, NI
21	120-3288	1	Tab-Pivot, LH				

Engine Assembly



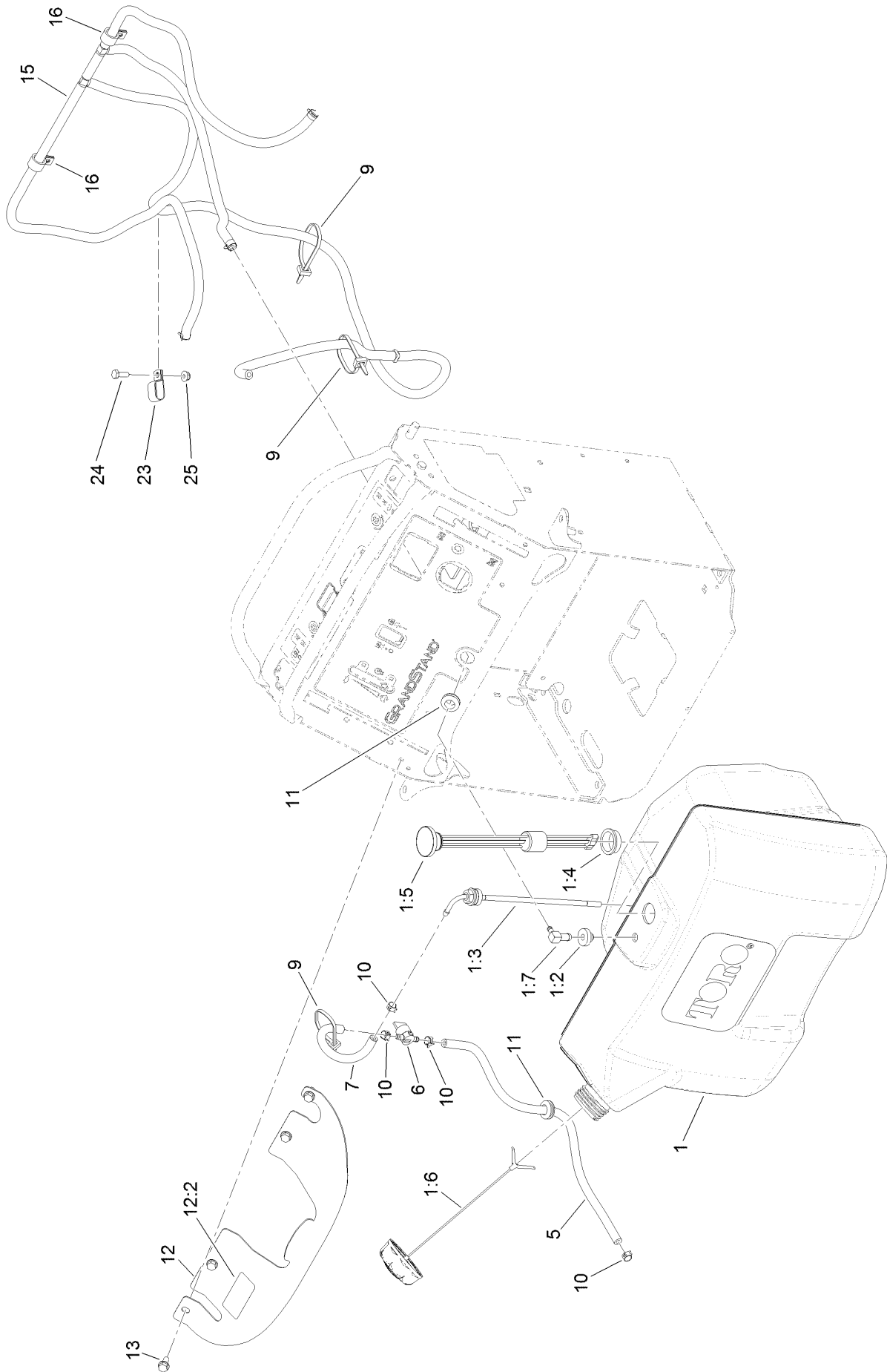
Engine Assembly (continued)

<i>Ref.</i>	<i>Part Number</i>	<i>Qty.</i>	<i>Description</i>	<i>Ref.</i>	<i>Part Number</i>	<i>Qty.</i>	<i>Description</i>
1		1	Engine, Kawasaki Fx691V ●■	19	1-603610	1	Washer-Spring
2	125-4698	1	Muffler	20	3212-6	1	Screw-HH
3	114-3550	4	Washer-Lock, Spring	21	116-3811-01	1	Bracket-Anchor, Clutch
4	114-3549	4	Nut	22	32144-70	1	Screw-HWHTF
5	127-1901	1	Bracket-Muffler, LH	24	103-1966	1	Adapter
6	127-1902	1	Bracket-Muffler, RH	25	120-4321	1	Valve-Drain, Oil
7	104-7658	2	Spacer	31	98-5975	4	Washer-Belleville
8	3234-29	2	Screw-HHF	32	323-7	4	Screw-HH
9	32128-25	2	Nut-HF	33	3290-378	1	Tie-Cable
13	33114-016	4	Screw-HH	34	1-653313	2	Gasket-Exhaust
14	3253-4	4	Washer-Lock	35	81-1690	1	Clamp-Cable
15	116-3882	1	Pulley	37	107-4136	1	Washer
16	1-807259	1	Key	38	32144-4	2	Screw-HWH
17	131-3522	1	Clutch-200Cms	99	103-1964	1	Hose-Drain, Oil

● Not serviced separately

■ Obtain parts from www.kawpowerepc.com

Fuel Tank Assembly

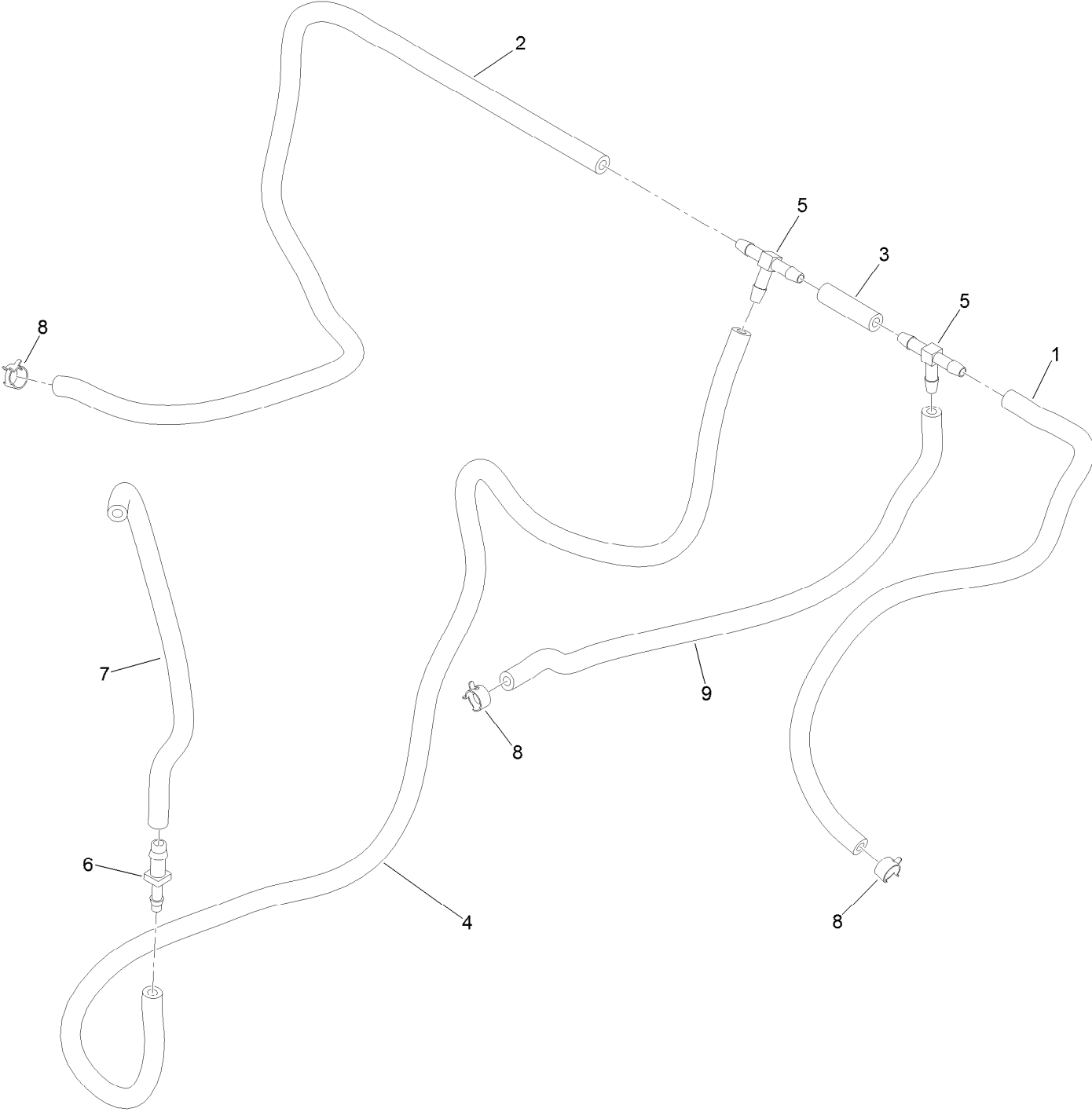


Fuel Tank Assembly (continued)

<i>Ref.</i>	<i>Part Number</i>	<i>Qty.</i>	<i>Description</i>	<i>Ref.</i>	<i>Part Number</i>	<i>Qty.</i>	<i>Description</i>
1	119-7340	1	Tank ASM	10	2412-98	4	Clamp-Hose
1:2	46-6560	3	Bushing	11	112-7069	2	Grommet
1:3	1-643172	3	Elbow-90 DEG	12	120-6462	1	Bracket-Tank
1:4	95-8972	1	Grommet	12:2	116-8775	1	Decal-Fill, Fuel
1:5	117-9719	1	Guage-Fuel	13	32144-70	4	Screw-HWHTF
1:6	126-1789	1	Cap-Fuel, Ratcheting	15		1	Vent Hose ASM ●
1:7	116-3408	1	Fitting-Fuel, Bulkhead	16	2412-87	2	Clamp-Cable
5	110-5701	1	Hose-Fuel	23	2412-105	1	Clamp-Tube, Double
6	1-603770	1	Valve-Fuel	24	321-4	1	Screw-HH
7	109-0297	1	Hose-Fuel	25	104-7201	1	Nut-HF
9	3290-378	3	Tie-Cable				

● Not serviced separately

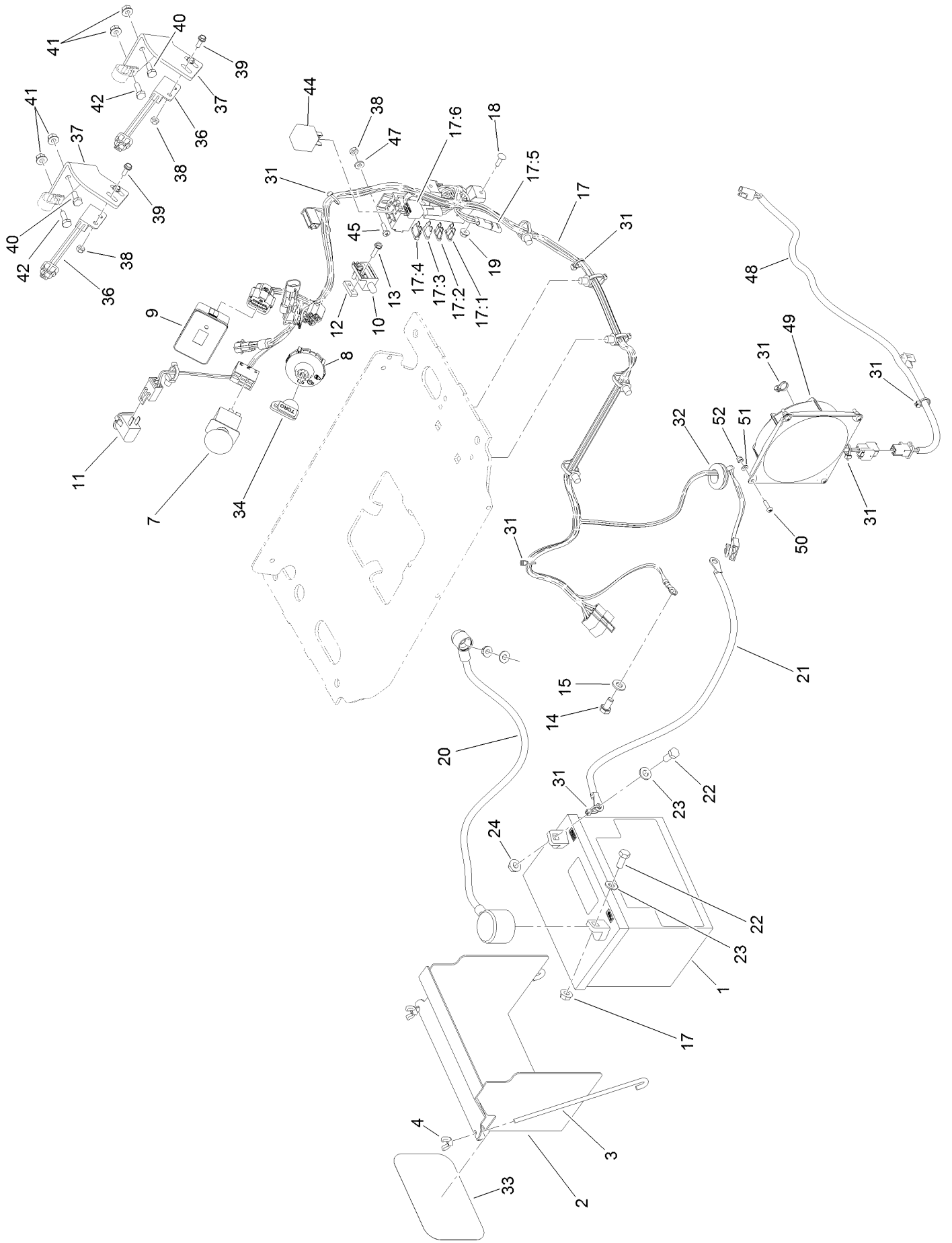
Vent Hose Assembly



Vent Hose Assembly (continued)

<i>Ref.</i>	<i>Part Number</i>	<i>Qty.</i>	<i>Description</i>	<i>Ref.</i>	<i>Part Number</i>	<i>Qty.</i>	<i>Description</i>
1	110-5701	1	Hose-Fuel	6	116-5072	1	Fitting-Straight
2	110-5702	1	Hose-Fuel	7	116-4344	1	Hose-Fuel
3	99-9415	1	Hose-Fuel	8	2412-98	3	Clamp-Hose
4	110-7502	1	Hose-Fuel	9	109-0296	1	Hose-Fuel
5	99-5005	2	Fitting-Tee, Barbed				

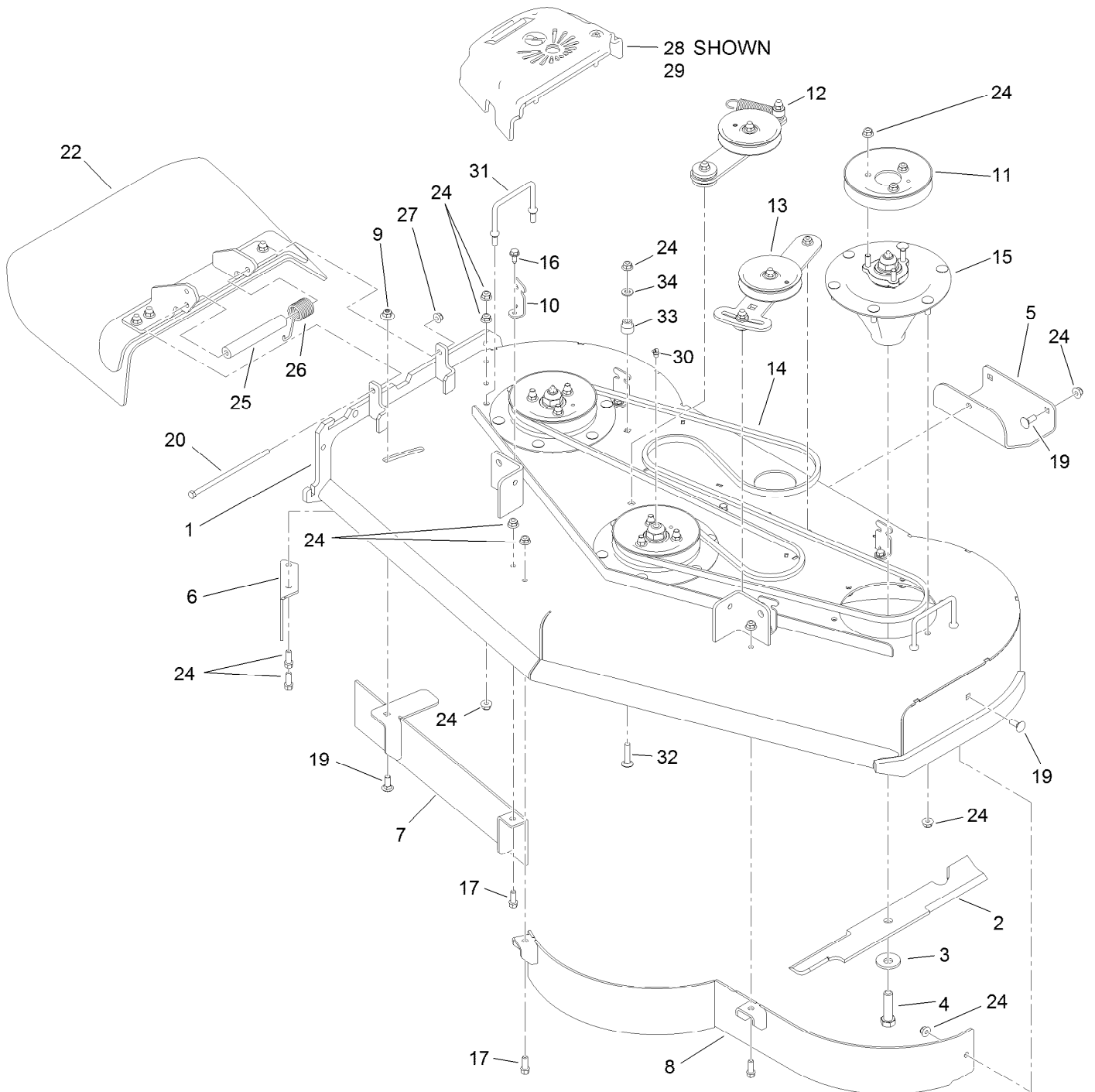
Electrical Assembly



Electrical Assembly (continued)

<i>Ref.</i>	<i>Part Number</i>	<i>Qty.</i>	<i>Description</i>	<i>Ref.</i>	<i>Part Number</i>	<i>Qty.</i>	<i>Description</i>
1	104-8162	1	Battery-Dry	21	105-0836	1	Cable-Battery, Black
2	117-0543-01	1	Cover-Battery	22	322-3	2	Screw-HH
3	1-633651	2	Bolt-Holddown	23	3256-23	2	Washer-Flat
4	1-543792	2	Wingnut	24	109-5715	2	Nut-HHF, Smooth
7	114-0279	1	Switch-PTO	31	1-303287	8	Tie-Cable
8	117-2222	1	Switch-Ignition	32	117-2781	1	Grommet
9	117-3886	1	Module-Hour Meter	33	68-3640	1	Decal
10	1-513152	1	Switch-Closed, Normally	34	63-8360	1	Key-Ignition
11	82-2190	1	Switch-Bail	36	105-0023	2	Switch-Proximity
12	1-633181	1	Plate-Tapped	37	119-8503-01	2	Bracket-Mount, Switch
13	32105-13	2	Screw-HWH	38	3296-2	5	Nut-Lock, NI
14	33114-016	1	Screw-HH	39	32105-23	4	Screw
15	33094-00	1	Washer-Plain	40	321-3	2	Screw-HH
17	131-3545	1	Harness-Wire, Gs	41	32128-32	4	Nut-HHF
17:1	109103	1	Fuse-Blade, 30 Amp	42	321-4	2	Screw-HH
17:2	109102	1	Fuse-Blade, 25 Amp	44	1-643275	1	Relay
17:3	218-578	1	Fuse-Blade, 10 Amp	45	3290-500	1	Screw-PPH
17:4	109355	1	Fuse-Blade, 15 Amp	47	3256-14	1	Washer-Flat
17:5	116-0053	1	Cap-Plug	48	120-8389	1	Harness-Wire, Fan
17:6	103-3895	1	Diode-Tvs	49	116-7047	1	Fan-Electric
18	1-807533	2	Bolt-CARR	50	46-0670	4	Screw-PPH
19	3290-148	2	Nut-HF	51	48-7990	4	Washer-Flat
20	115-3864	1	Cable-Battery, Positive	52	46-0430	4	Nut-Lock

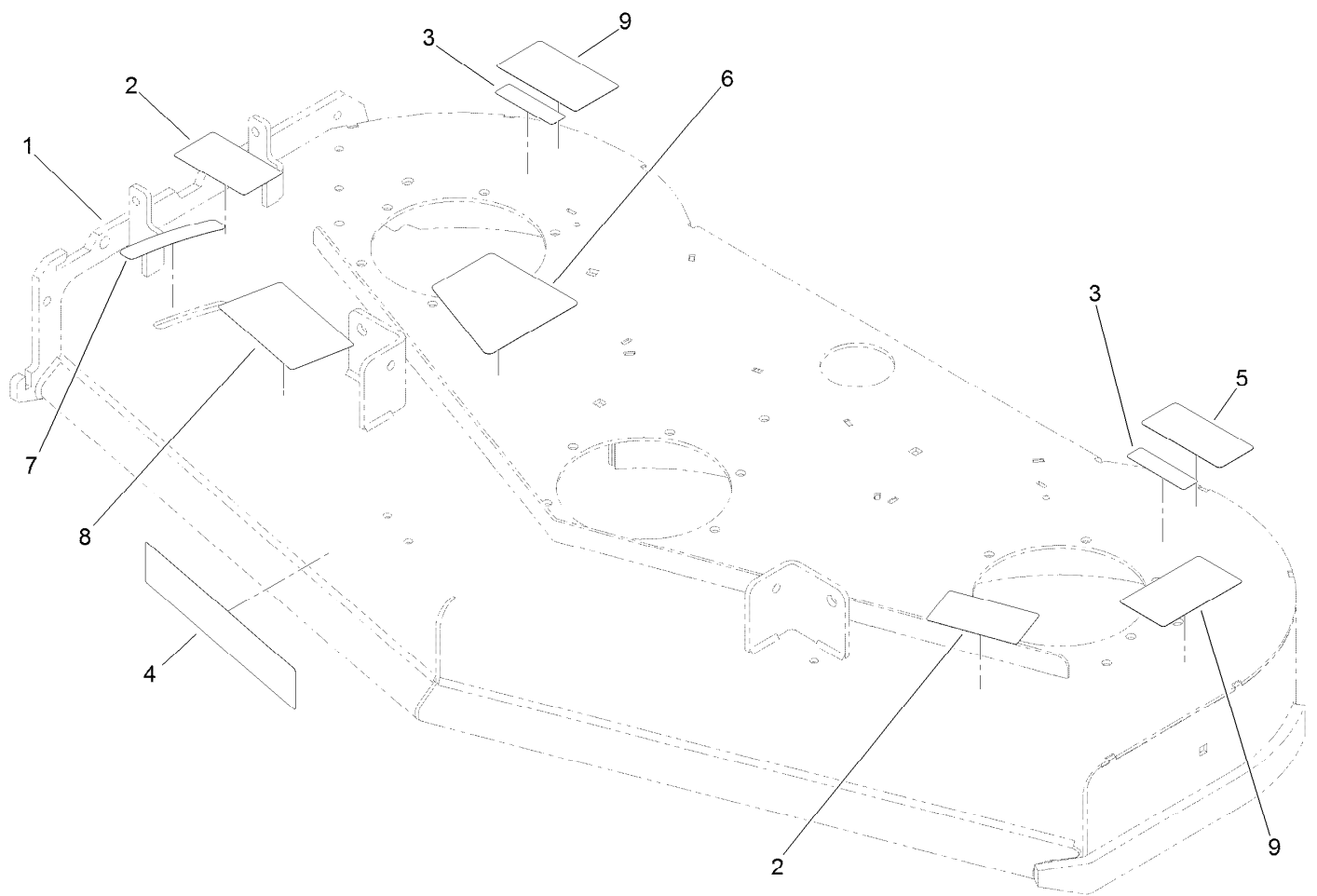
Deck Assembly



Deck Assembly (continued)

<i>Ref.</i>	<i>Part Number</i>	<i>Qty.</i>	<i>Description</i>	<i>Ref.</i>	<i>Part Number</i>	<i>Qty.</i>	<i>Description</i>
1	120-6405	1	Deck ASM	17	92-1624	5	Screw-HWH
2	105-7781-03	3	Blade-18In, Hi Flow	19	3231-2	5	Bolt-CARR
3	103-0865	3	Washer-Blade Bolt, Heavy	20	322-50	1	Screw-HH
4	51-4060	3	Screw-Blade	22	120-2451	1	Deflector ASM
5	114-1908-01	1	Skid	24	104-8301	41	Nut-Flange, NI
6	106-3216-01	1	Baffle-Discharge	25	105-4622	1	Spacer
7	121-1790-01	1	Baffle	26	108-4052	1	Spring-Torsion
8	114-1979-01	1	Baffle-52 Inch	27	104-8300	1	Nut-Flange, NI
9	109-6658	1	Nut-Flange, NI	28	120-6431	1	Cover-Belt, RH
10	117-5758-03	4	Bracket-Cover	29	120-6423	1	Cover-Belt
11	120-6433	3	Pulley	30	302-33	1	Fitting-Grease
12	120-6410	1	Idler Arm ASM	31	109-6982	2	Wireform-Cover
13	117-0446	1	Idler Adjust ASM	32	3231-5	1	Screw-CARR
14	114-0454	1	Belt-V	33	1-603496	1	Bushing-Idler
15	119-8560	3	Spindle ASM	34	3256-24	1	Washer-Flat
16	32144-70	4	Screw-HWHTF				

Deck Decal Assembly No. 120-6405

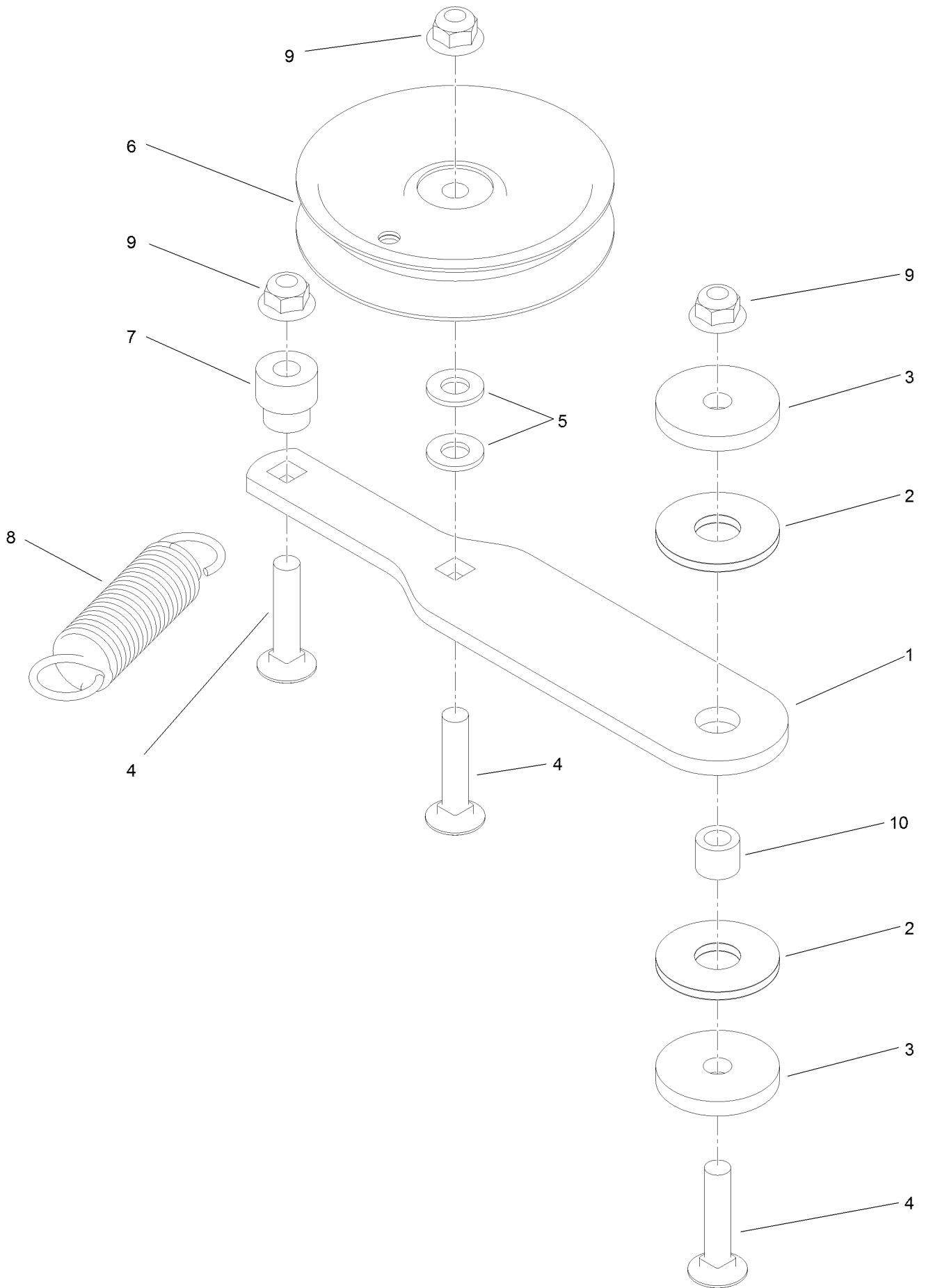


Deck Decal Assembly No. 120-6405 (continued)

<i>Ref.</i>	<i>Part Number</i>	<i>Qty.</i>	<i>Description</i>	<i>Ref.</i>	<i>Part Number</i>	<i>Qty.</i>	<i>Description</i>
1		1	Deck ASM ●	6	120-6412	1	Decal-Belt Tension, Ce
2	121-6049	2	Decal-Danger	7	110-2067	1	Decal-Setting, Baffle
3	119-0217	2	Decal-Danger	8	110-2068	1	Decal-Adjustment, Baffle
4	107-1618	1	Decal	9	120-6424	2	Decal-Danger, Rotating Parts
5	93-7818	1	Decal-Torque, Blade Bolt				

● Not serviced separately

Idler Arm Assembly No. 120-6410

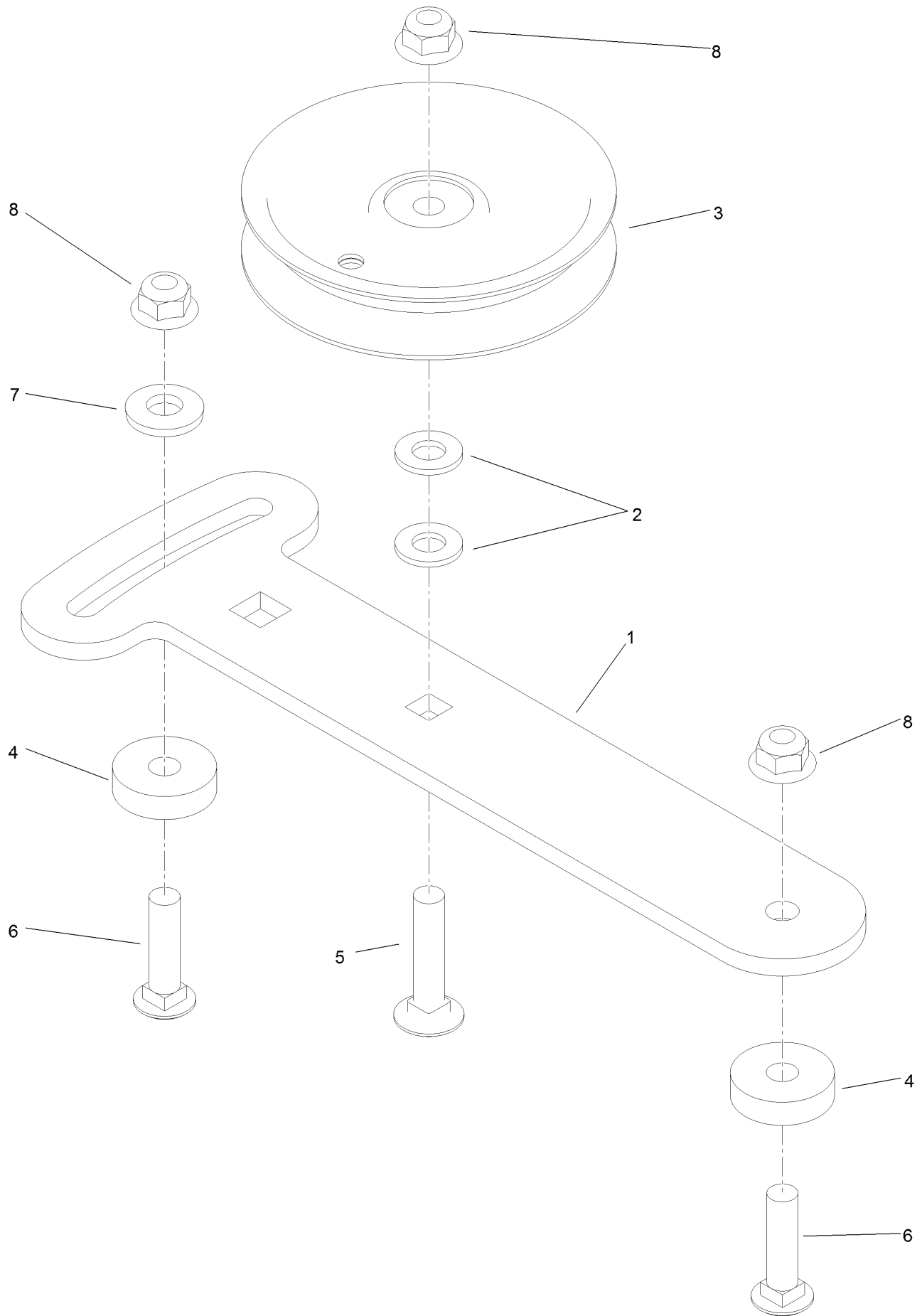


Idler Arm Assembly No. 120-6410 (continued)

<i>Ref.</i>	<i>Part Number</i>	<i>Qty.</i>	<i>Description</i>
1	120-6409	1	Arm-Idler
2	114-0463	2	Washer-Friction, Composite
3	110-9981	2	Washer-Plain
4	3231-5	3	Screw-CARR
5	3256-24	2	Washer-Flat

<i>Ref.</i>	<i>Part Number</i>	<i>Qty.</i>	<i>Description</i>
6	93-1622	1	Pulley-Idler
7	1-603496	1	Bushing-Idler
8	1-603402	1	Spring-Extension
9	104-8301	3	Nut-Flange, NI
10	1-413088	1	Bushing-Lever, Lift

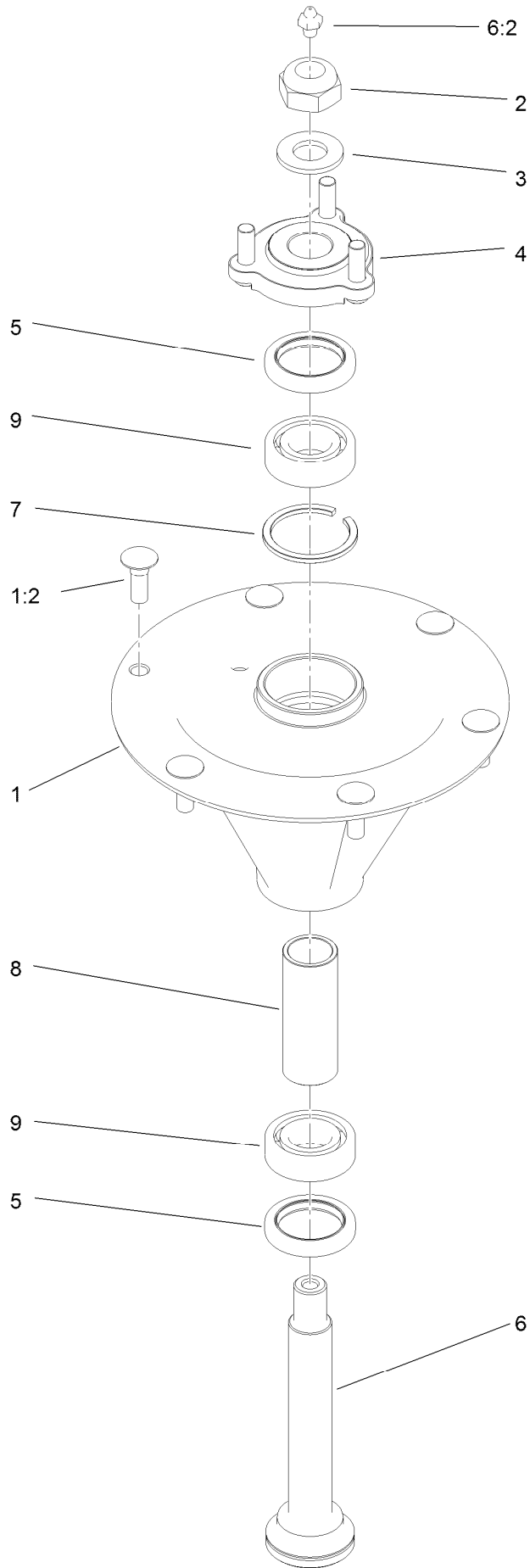
Idler Adjust Assembly No. 117-0446



Idler Adjust Assembly No. 117-0446 (continued)

<i>Ref.</i>	<i>Part Number</i>	<i>Qty.</i>	<i>Description</i>	<i>Ref.</i>	<i>Part Number</i>	<i>Qty.</i>	<i>Description</i>
1	114-1991	1	Plate-Idler	5	3231-5	1	Screw-CARR
2	3256-24	2	Washer-Flat	6	3231-4	2	Screw-CARR
3	93-1622	1	Pulley-Idler	7	98-5975	1	Washer-Belleville
4	105-7788	2	Spacer	8	104-8301	3	Nut-Flange, NI

Spindle Assembly No. 119-8560

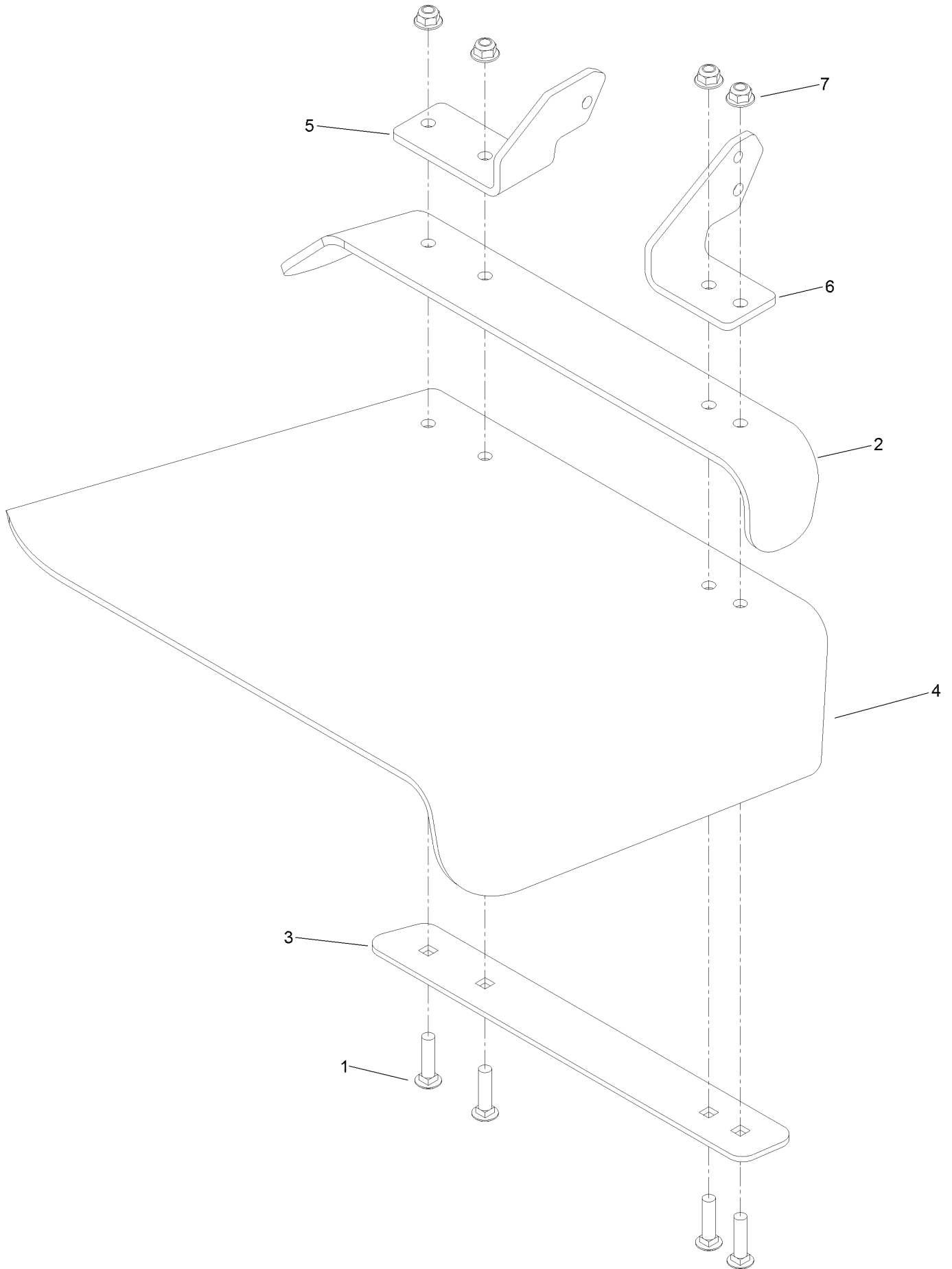


Spindle Assembly No. 119-8560 (continued)

<i>Ref.</i>	<i>Part Number</i>	<i>Qty.</i>	<i>Description</i>	<i>Ref.</i>	<i>Part Number</i>	<i>Qty.</i>	<i>Description</i>
1		1	Spindle Housing And Studs ASM ●	5	253-133	2	Seal-Oil
1:2	114-8195	6	Bolt-Ribbed Neck	6	119-8527	1	Shaft-Spindle
2	3296-67	1	Nut-Lock, NI	6:2	302-2	1	Fitting-Grease
3	92-5836	1	Washer	7	119-8532	1	Snap Ring
4	117-6172	1	Spindle Hub ASM	8	117-6184	1	Spacer
				9	119-8558	2	Bearing-Noseal

● Not serviced separately

Deflector Assembly No. 120-2451



Deflector Assembly No. 120-2451 (continued)

<i>Ref.</i>	<i>Part Number</i>	<i>Qty.</i>	<i>Description</i>	<i>Ref.</i>	<i>Part Number</i>	<i>Qty.</i>	<i>Description</i>
1	3231-4	4	Screw-CARR	5	108-4059-01	1	Plate-Hinge, Rear
2	106-3246-01	1	Deflector	6	106-3253-01	1	Plate-Hinge, Front
3	106-3248-03	1	Strap-Discharge	7	104-8301	4	Nut-Flange, NI
4	110-0759	1	Deflector-Rubber				

Attachments and Accessories

For 74575 GrandStand Mower With 52in TURBO FORCE Cutting Unit

Product Name	Model/Part
Chute Gate Kit With Bag	119-7292
Trash Bag Kit	121-7530
Recycler Kit	115-7467
Weight Kit	117-3620
Weight-Cast	112-7059-01
Roller Striper Kit.....	131-1470
Light Kit.....	114-3505
Soft Bag (3 Bushel).....	30104
Speed Control Kit.....	119-7390
Spark Arrestor	98-9099
Blade-Lo Flow, 18in (6 Pack)	110-0406
Blade-Low Flow, 18in.....	105-7795-03
Blade-Med Flow, 18in (6 Pack)	110-0409
Blade-Med Flow, 18in	105-7794-03
Blade-Hi Flow, 18in (6 Pack).....	108-1117
Blade-Hi Flow, 18in.....	105-7781-03
Blade-Recycler, 18in (6 Pack).....	110-0408
Hypr-Oil 500 (quart)	114-4713
Blade-Recycler, 18in.....	105-7779-03
Hypr-Oil 500 (gallon).....	114-4714
Blade-Atomic, 18in (6 Pack)	108-1118
Hypr-Oil 500-5 (5 gallon).....	114-4715
Blade-Atomic, 18in	105-7796-03
MVP Filter, Belt and Blade Kit	127-1649
Turbo Baffle Kit	107-1634

Notes:



Count on it.