



Count on it.

Parts Catalog

**TITAN® ZX 5400 Zero-Turn-Radius
Riding Mower**

Model No. 74852—Serial No. 314000001 and Up



Ordering Replacement Parts

To order replacement parts, please supply the part number, the quantity, and the description of each part desired.

Understanding Reference Numbers

Each identified part in an illustration has a reference number. The reference number for a part also appears in the parts list, along with other information about the part.

This catalog uses two special reference number formats, one to indicate parts in a service assembly and another to indicate the quantity of a given part in an illustration.

Service Assembly Reference Numbers

Parts in service assemblies have reference numbers in the form a:b. The a represents the reference number of the entire service assembly and the b represents a sequential number unique to each part within the service assembly.

For example, a wheel assembly might be identified by reference number 6, the tire by 6:1, the valve by 6:2, and the wheel by 6:3. When you order the assembly identified by reference number 6, you receive all parts identified by reference numbers 6:1, 6:2, and 6:3. However, you may also order any part individually. Reference numbers of this type appear in illustration and in parts lists.

Reference Numbers Indicating Quantity

In an illustration, if a reference number indicates more than one part, the reference number has the form nX y. The n represents the quantity of the part, the X is the multiplication symbol, and the y represents the reference number.

For example, in an illustration, the reference number 2X 37 means that two of the parts identified by reference number 37 are indicated.

List of Abbreviations

AR: as required

ASM: assembly

BBC: blade brake control

BHTF: button head thread forming

CARR: carriage

CCW: counter clockwise

CW: clockwise

DEG: degrees

DPA: Dual Point Adjustment

ECM: electronic control module

EXT: external

FH: flat head

GA: gauge

HD: heavy-duty

HF: hex flange

HH: hex head

HHF: hex head flange

HHFTF: hex head flange thread forming

HJ: hex jam

HLH: hex lag head

HOC: height-of-cut

HP: high pressure

HSBH: hex socket button head

HSFH: hex socket flat head

HSH: hex socket head

HWH: hex washer head

HWHTF: hex washer head thread forming

HYD: hydraulic

LH: left hand

LP: low pressure

LPG: Liquefied Petroleum Gas

NI: nylon insert

NPTF: national pipe thread fine

PFH: phillips flat head

PPH: phillips pan head

PPHTF: phillips pan head thread forming

PRH: phillips round head

PTH: phillips truss head

PTO: power-take-off

RH: right hand

ROPS: roll-over protection system

RRB: rear roller brush

SFH: slotted fillister head

SHH: slotted hex head

SHWH: slotted hex washer head

SPH: slotted pan head

SQH: square head

SRH: slotted round head

STD: standard

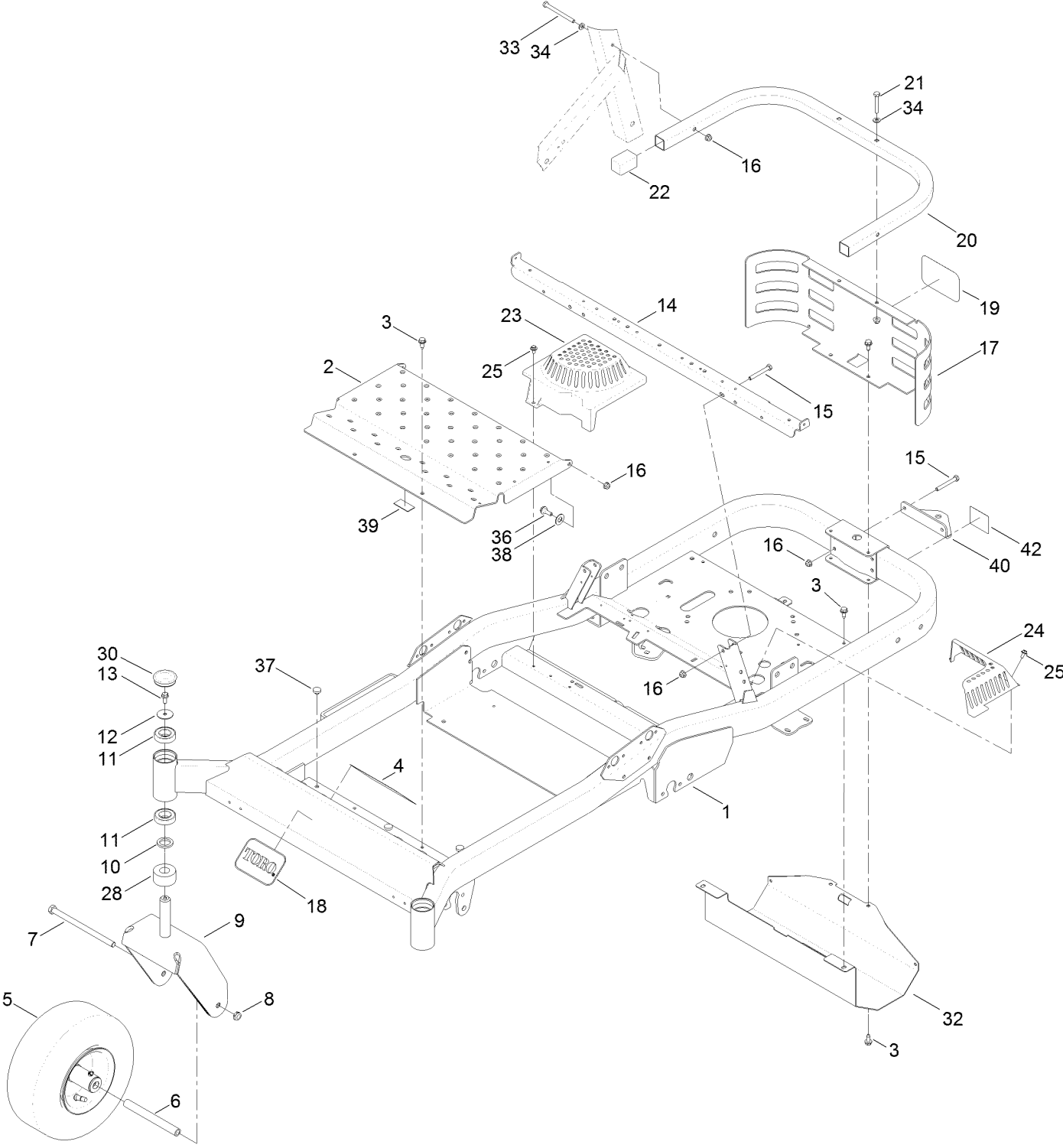
TAP: self tapping

TTH: torx truss head

Contents

| | |
|---|----|
| Frame, Front Axle and Caster Wheel Assembly | 4 |
| Wheel and Tire Assembly No. 127-3447 | 6 |
| Control Panel and Body Styling Pod Assembly | 8 |
| Deck Lift Assembly | 10 |
| Traction Drive Assembly | 12 |
| LH Hydro Transmission Assembly No. 127-3381 | 14 |
| RH Hydro Transmission Assembly No. 127-3382 | 16 |
| Motion Control Assembly | 18 |
| Brake Link Assembly | 20 |
| Engine, Muffler and Clutch Assembly | 22 |
| Fuel Delivery Assembly | 24 |
| Multi Layer Fuel Tank Assembly No. 117-7352 | 26 |
| Roll-Over Protection System Assembly | 28 |
| Seat Assembly | 30 |
| Electrical Assembly | 32 |
| 54 Inch Deck Assembly | 34 |
| 54 Inch Deck and Decal Assembly | 36 |
| 54 Inch Deck, Belt and Mulch Blade Assembly | 38 |
| Attachments and Accessories | 40 |

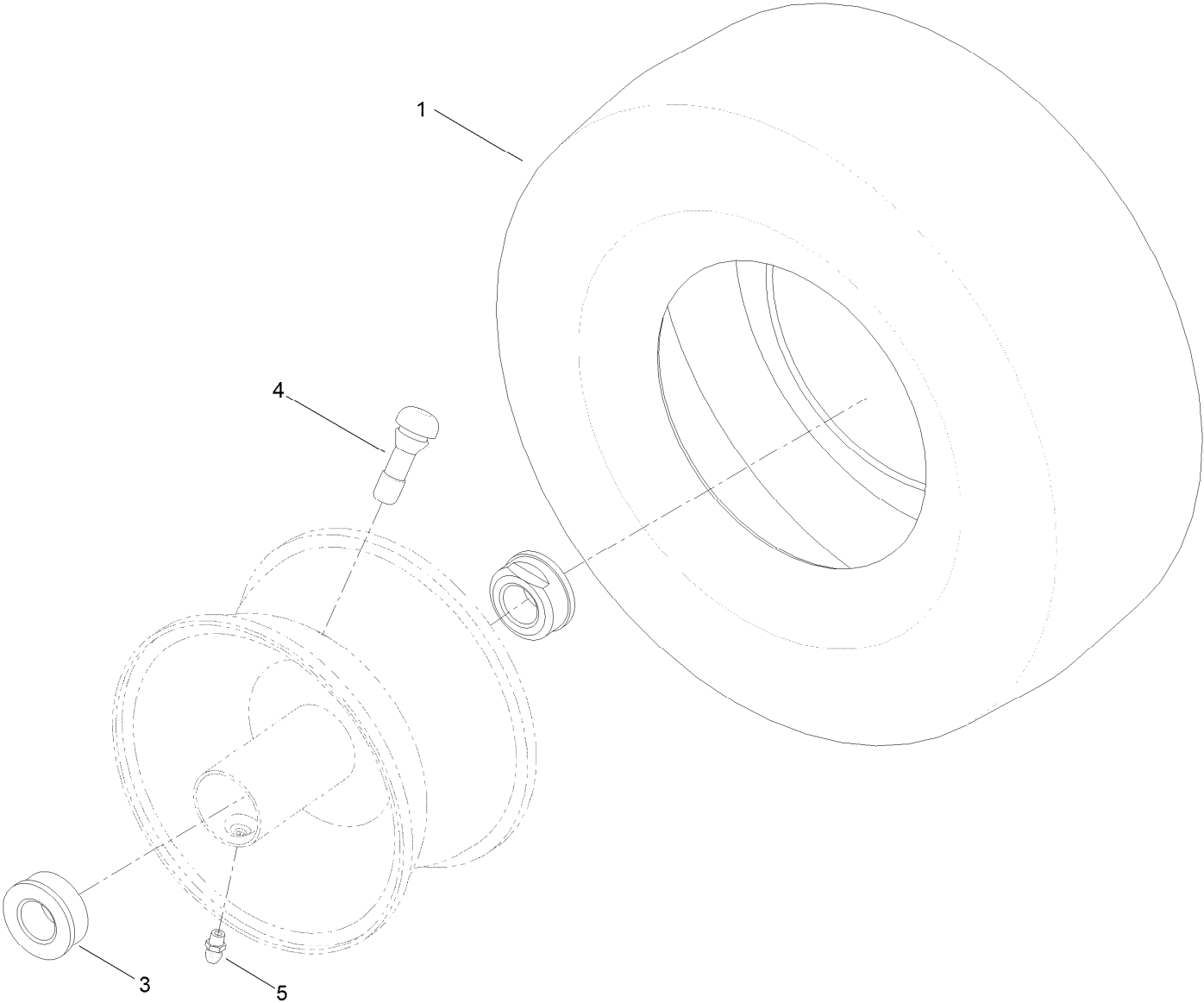
Frame, Front Axle and Caster Wheel Assembly



Frame, Front Axle and Caster Wheel Assembly (continued)

| <i>Ref.</i> | <i>Part Number</i> | <i>Qty.</i> | <i>Description</i> | <i>Ref.</i> | <i>Part Number</i> | <i>Qty.</i> | <i>Description</i> |
|-------------|--------------------|-------------|--------------------|-------------|--------------------|-------------|--------------------|
| 1 | 127-0067-01 | 1 | Frame | 19 | 105-8278 | 1 | Decal |
| 2 | 127-3423-01 | 1 | Pan-Floor | 20 | 121-0704-01 | 1 | Tube-Guard |
| 3 | 32144-70 | 6 | Screw-HWHTF | 21 | 322-10 | 2 | Screw-HH |
| 4 | 130-6921 | 1 | Decal-Danger | 22 | 121-2980 | 2 | Cap |
| 5 | 127-3447 | 2 | Tire And Wheel ASM | 23 | 117-1241 | 1 | Cover-Fan, RH |
| 6 | 119-3475 | 2 | Spanner | 24 | 117-1242 | 1 | Cover-Fan, LH |
| 7 | 325-37 | 2 | Screw-HH | 25 | 46-8560 | 2 | Screw-HHFTF |
| 8 | 3296-45 | 2 | Nut-Lock, NI | 28 | 127-3330-01 | 2 | Spacer-Caster |
| 9 | 127-3309-01 | 2 | Fork-Caster | 30 | 116-4348 | 2 | Cap-Grease |
| 10 | 10-8110 | 2 | Washer-Thrust | 32 | 120-2247-03 | 1 | Guard-Muffler |
| 11 | 109-3678 | 4 | Bearing-Ball | 33 | 322-23 | 2 | Screw-HH |
| 12 | 3256-68 | 2 | Washer-Flat | 34 | 3256-23 | 4 | Washer-Flat |
| 13 | 3234-47 | 2 | Screw-HHF | 36 | 116-1297 | 2 | Screw-Shoulder |
| 14 | 121-2953-03 | 1 | Support-Seat | 37 | 1-513658 | 3 | Bumper |
| 15 | 322-12 | 4 | Screw-HH | 38 | 112-9771 | 1 | Washer-Teflon |
| 16 | 104-8300 | 10 | Nut-Flange, NI | 39 | 130-0733 | 3 | Pad-Rubber |
| 17 | 120-2248-03 | 1 | Guard-Rear | 40 | 117-1232-03 | 1 | Bracket-Hitch |
| 18 | 67-1300 | 1 | Decal | 42 | 109-7076 | 1 | Decal |

Wheel and Tire Assembly No. 127-3447

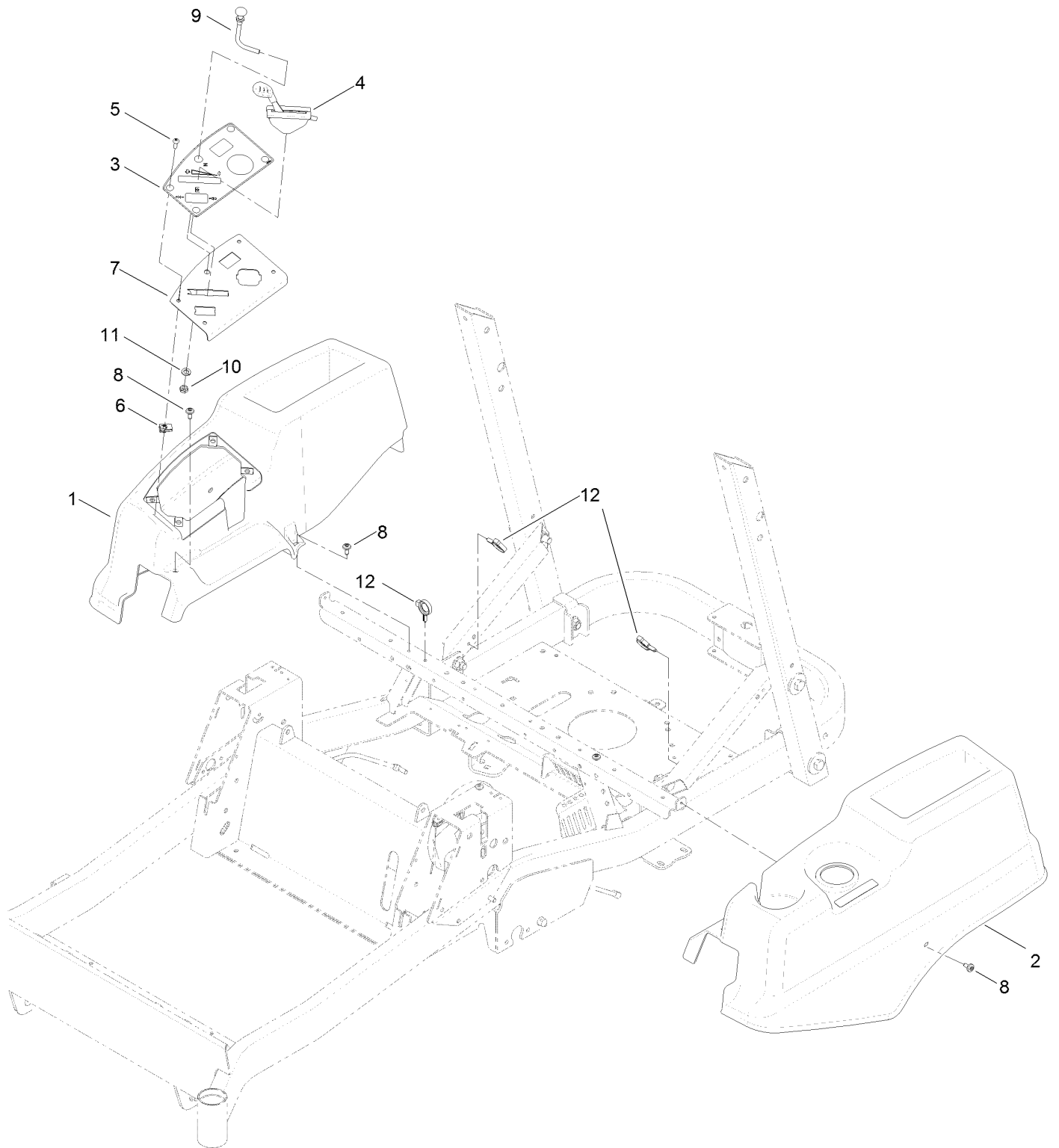


Wheel and Tire Assembly No. 127-3447 (continued)

| <i>Ref.</i> | <i>Part Number</i> | <i>Qty.</i> | <i>Description</i> | <i>Ref.</i> | <i>Part Number</i> | <i>Qty.</i> | <i>Description</i> |
|-------------|--------------------|-------------|---------------------|-------------|--------------------|-------------|--------------------|
| 1 | 120-2252 | 1 | Tire-13 Inch Smooth | 5 | 302-5 | 1 | Fitting-Grease |
| 3 | 114-1640 | 2 | Bushing-Flange | 99 | 232-46 | 1 | Tube ● |
| 4 | 232-27 | 1 | Stem-Valve | | | | |

● Not illustrated

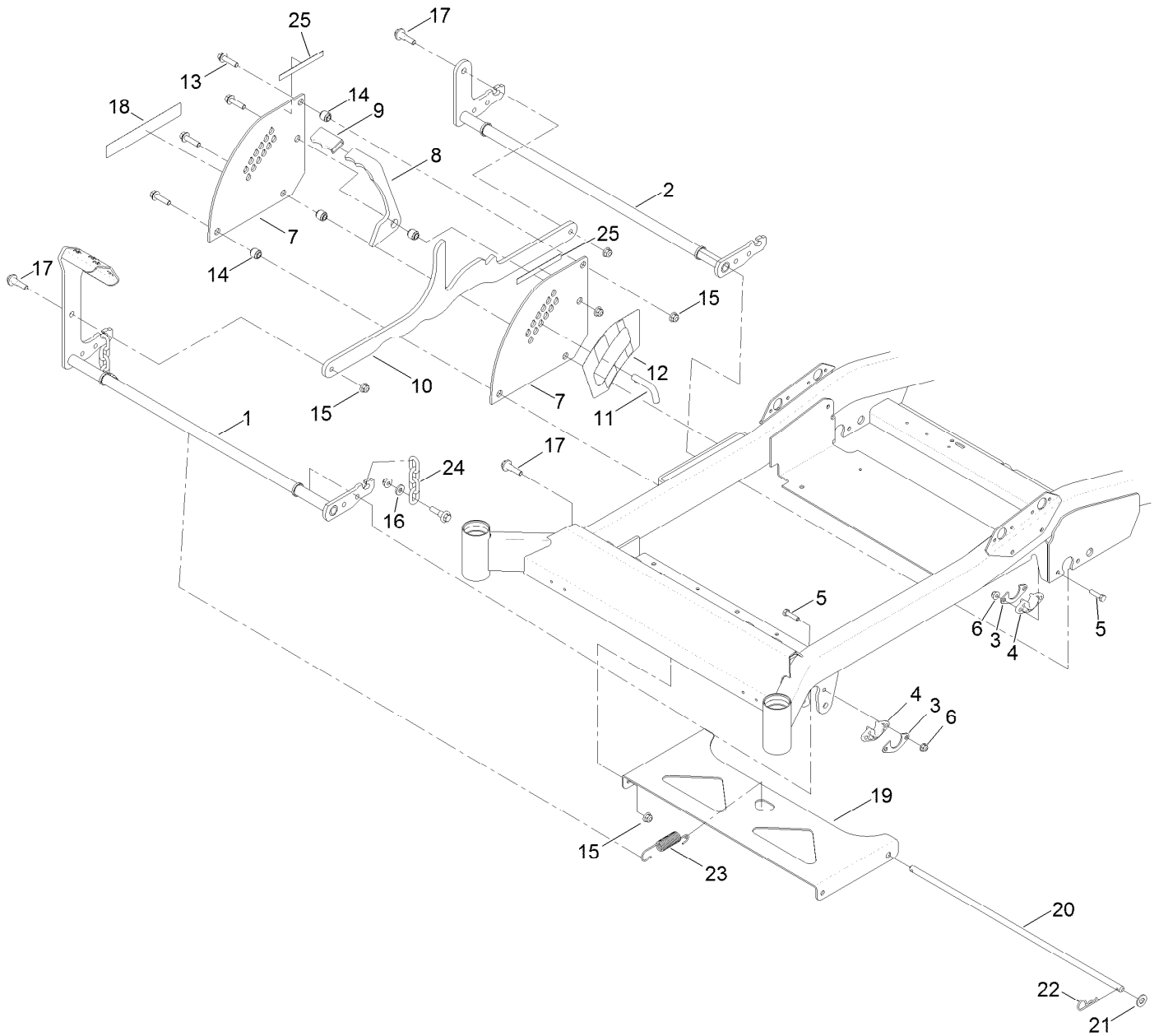
Control Panel and Body Styling Pod Assembly



Control Panel and Body Styling Pod Assembly (continued)

| <i>Ref.</i> | <i>Part Number</i> | <i>Qty.</i> | <i>Description</i> | <i>Ref.</i> | <i>Part Number</i> | <i>Qty.</i> | <i>Description</i> |
|-------------|--------------------|-------------|----------------------|-------------|--------------------|-------------|--------------------|
| 1 | 120-5488 | 1 | Pod-RH | 7 | 115-2591-03 | 1 | Panel-Control |
| 2 | 120-5489 | 1 | Pod-LH | 8 | 120-7950 | 6 | Screw-Shoulder |
| 3 | 115-9632 | 1 | Decal-Panel, Control | 9 | 120-2291 | 1 | Cable-Choke |
| 4 | 121-0770 | 1 | Cable-Throttle | 10 | 3253-21 | 1 | Washer-Lock |
| 5 | 3258-166 | 4 | Screw-PRH | 11 | 3220-3 | 1 | Nut-HJ |
| 6 | 107069 | 4 | Clip | 12 | 105-1853 | 2 | Clamp-Hose |

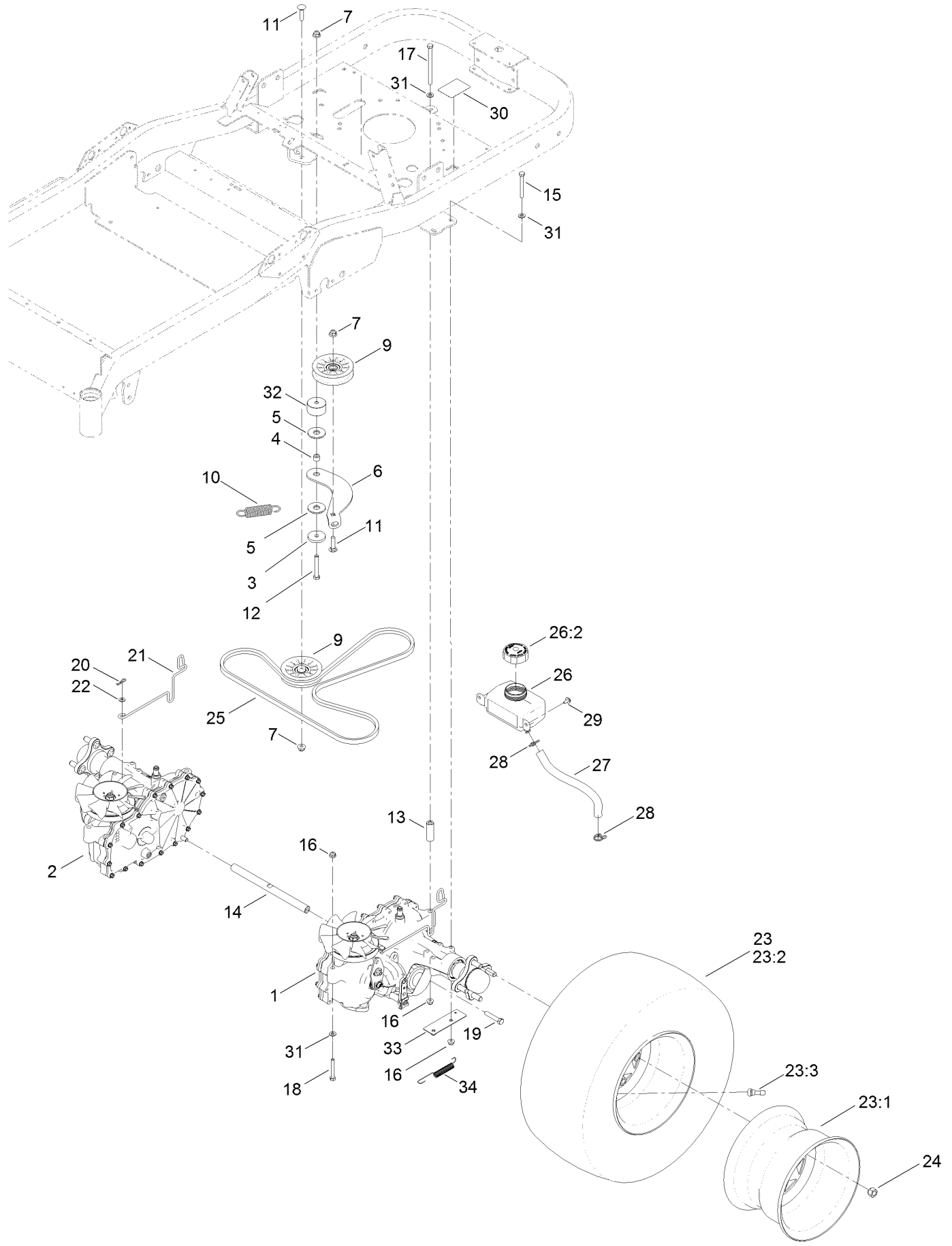
Deck Lift Assembly



Deck Lift Assembly (continued)

| <i>Ref.</i> | <i>Part Number</i> | <i>Qty.</i> | <i>Description</i> | <i>Ref.</i> | <i>Part Number</i> | <i>Qty.</i> | <i>Description</i> |
|-------------|--------------------|-------------|---------------------|-------------|--------------------|-------------|---------------------|
| 1 | 130-0657-03 | 1 | Pivot-Front | 14 | 116-4313 | 4 | Spacer-Step, Double |
| 2 | 130-0658-03 | 1 | Pivot-Rear | 15 | 104-8301 | 10 | Nut-Flange, NI |
| 3 | 116-2887 | 4 | Gusset-Lift, Deck | 16 | 43-0940 | 4 | Spacer |
| 4 | 115-5065 | 4 | Bushing-Flange | 17 | 130-0742 | 8 | Bolt-Shoulder |
| 5 | 322-6 | 8 | Screw-HH | 18 | 130-0785 | 1 | Decal-Zx Series |
| 6 | 104-8300 | 8 | Nut-Flange, NI | 19 | 127-3329-01 | 1 | Pan-Deck, Pivot |
| 7 | 127-3389-03 | 2 | Plate-Deck, Lift | 20 | 127-3399 | 1 | Rod-Deck, Pivot |
| 8 | 127-3391 | 1 | Lock-Transport, HOC | 21 | 3256-26 | 2 | Washer-Flat |
| 9 | 116-4312 | 1 | Grip-Bar, Flat | 22 | 1-806005 | 2 | Pin-Hair |
| 10 | 127-3390-03 | 1 | Link-HOC | 23 | 115-9652 | 1 | Spring-Extension |
| 11 | 116-5584 | 1 | Pin-HOC | 24 | 130-0668 | 4 | Chain-Decklift |
| 12 | 130-0654 | 1 | Decal-HOC | 25 | 130-0734 | 2 | Pad-Rubber |
| 13 | 114-4681 | 4 | Screw-HHF | | | | |

Traction Drive Assembly

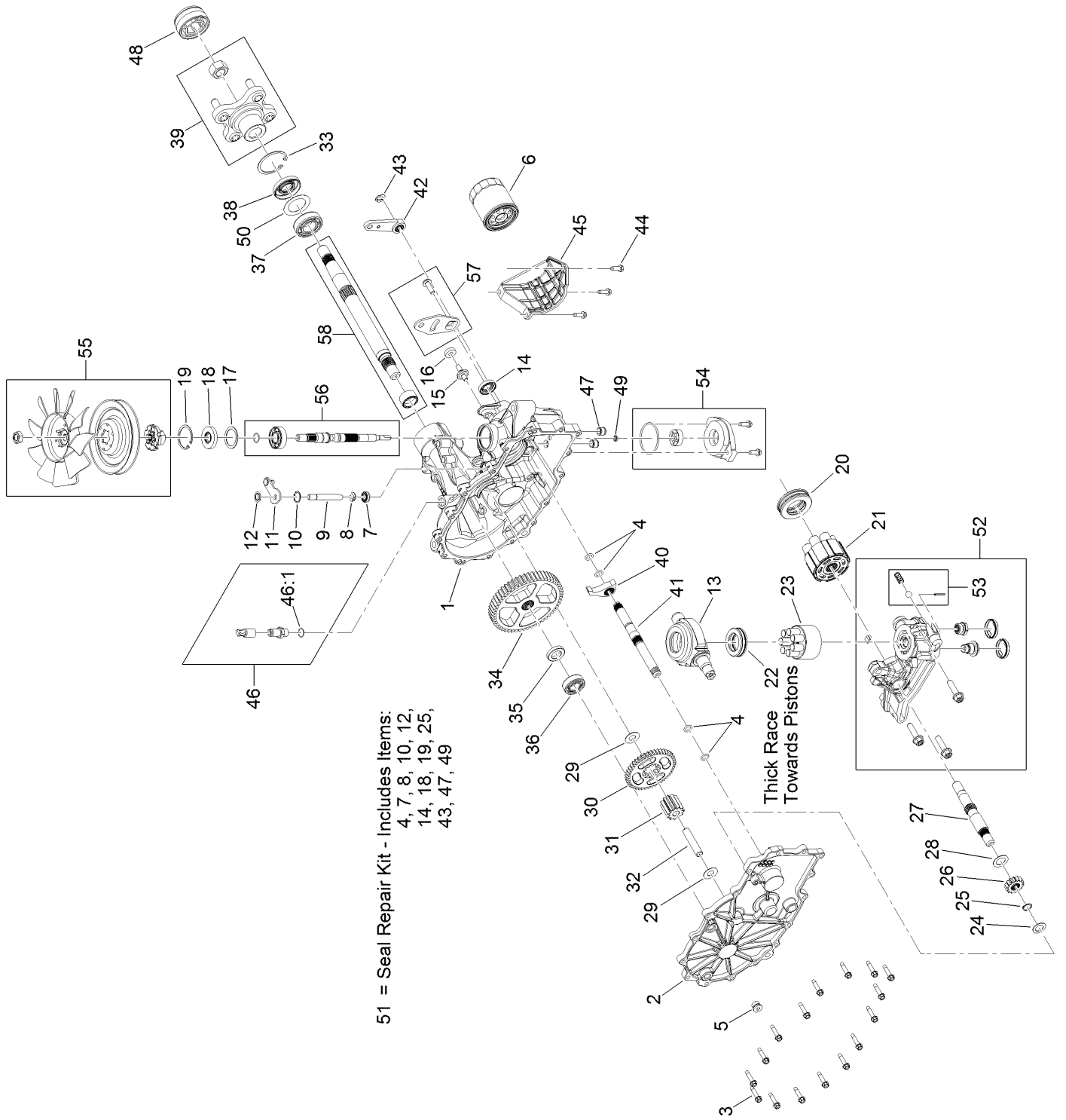


Traction Drive Assembly (continued)

| <i>Ref.</i> | <i>Part Number</i> | <i>Qty.</i> | <i>Description</i> | <i>Ref.</i> | <i>Part Number</i> | <i>Qty.</i> | <i>Description</i> |
|-------------|--------------------|-------------|------------------------------|-------------|--------------------|-------------|--------------------|
| 1 | 127-3381 | 1 | LH Hydro Transmission ASM | 20 | 1-806003 | 2 | Pin-Cotter, Hair |
| 2 | 127-3382 | 1 | RH Hydro Transmission ASM | 21 | 125-8950 | 2 | Rod-Bypass |
| 3 | 110-9981 | 1 | Washer-Plain | 22 | 3256-22 | 2 | Washer-Flat |
| 4 | 115-4986 | 1 | Spacer | 23 | 127-3449 | 2 | Tire And Wheel ASM |
| 5 | 114-0463 | 2 | Washer-Friction, Composite | 23:1 | 130-0650 | 1 | Rim-10 Inch |
| 6 | 117-5350 | 1 | Arm-Idler | 23:2 | 125-1821 | 1 | Tire |
| 7 | 104-8301 | 3 | Nut-Flange, NI | 23:3 | 232-27 | 1 | Stem-Valve |
| 9 | 109-3397 | 2 | Pulley-Idler, Flat | 23:99 | 105-4070 | 1 | Tube-Inner ● |
| 10 | 1-603402 | 1 | Spring-Extension | 24 | 242-50 | 8 | Nut-Lug |
| 11 | 3231-26 | 2 | Screw-CARR | 25 | 115-9613 | 1 | V-Belt |
| 12 | 323-12 | 1 | Screw-HH | 26 | 115-9618 | 1 | HYD Reservoir ASM |
| 13 | 109-3652 | 2 | Spacer-Hydro | 26:2 | 109-3320 | 1 | Cap-Reservoir, HYD |
| 14 | 115-2559 | 1 | Shaft-Cross, Hydro | 27 | 115-4969 | 2 | Hose-Overflow |
| 15 | 322-13 | 4 | Screw-HH | 28 | 117-1193 | 4 | Clamp-Hose |
| 16 | 104-8300 | 8 | Nut-Flange, NI | 29 | 46-8560 | 2 | Screw-HHFTF |
| 17 | 322-38 | 2 | Screw-HH | 30 | 130-6922 | 2 | Decal-Bypass |
| 18 | 322-11 | 2 | Screw-HH | 31 | 3256-23 | 8 | Washer-Flat |
| 19 | 323-10 | 2 | Screw-HH | 32 | 117-5351 | 1 | Spacer |
| | | | | 33 | 117-7248-03 | 2 | Plate-Spring |
| | | | | 34 | 110769 | 2 | Spring-Extension |

● Not illustrated

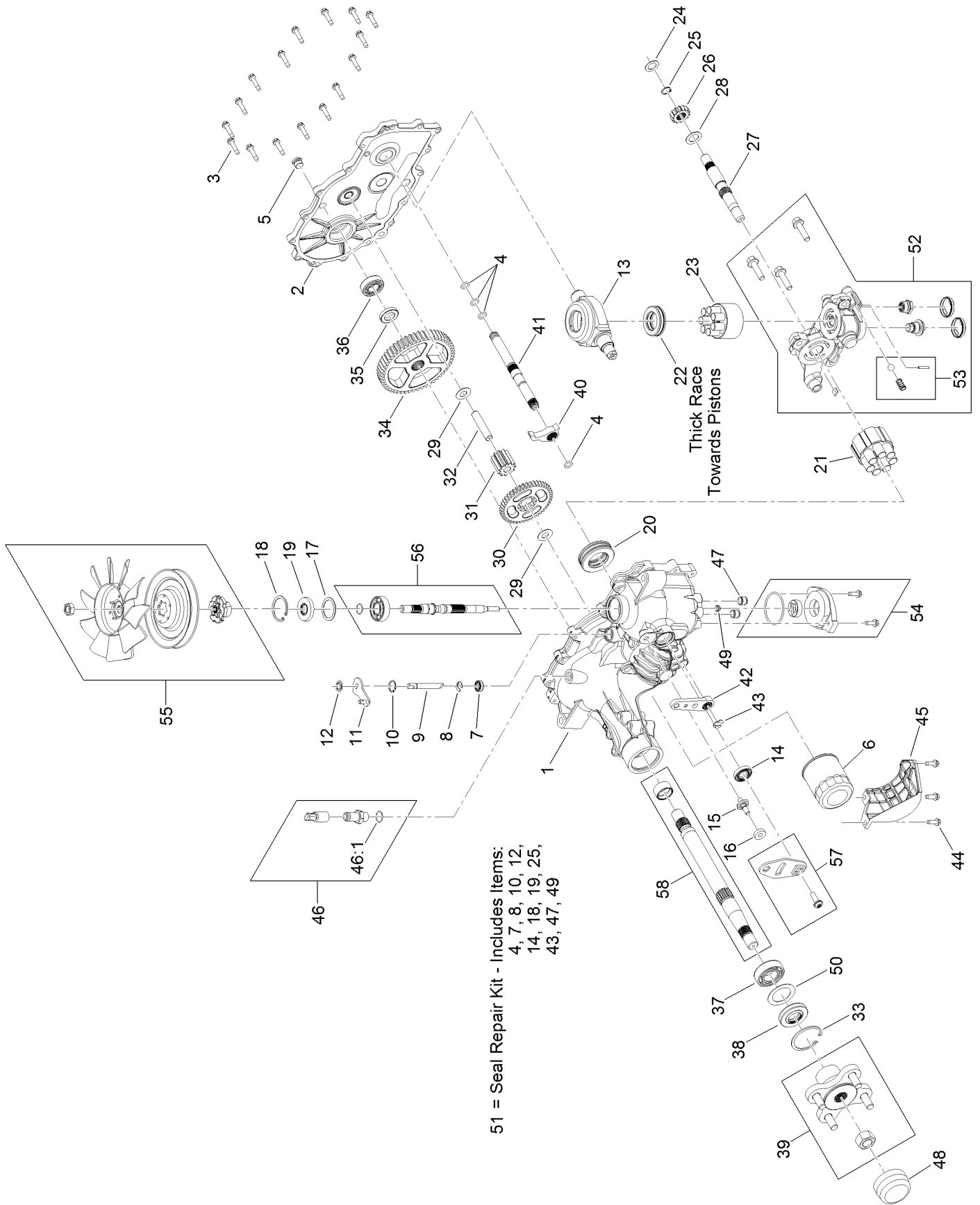
LH Hydro Transmission Assembly No. 127-3381



LH Hydro Transmission Assembly No. 127-3381 (continued)

| <i>Ref.</i> | <i>Part Number</i> | <i>Qty.</i> | <i>Description</i> | <i>Ref.</i> | <i>Part Number</i> | <i>Qty.</i> | <i>Description</i> |
|-------------|--------------------|-------------|--------------------------|-------------|--------------------|-------------|------------------------------|
| 1 | 114-8471 | 1 | Main Housing Kit | 31 | 120-7974 | 1 | Gear-11T |
| 2 | 114-8472 | 1 | Side Cover Kit | 32 | 104-5329 | 1 | Pin-Jackshaft |
| 3 | 117-5359 | 16 | Screw-HHF | 33 | 104-2169 | 1 | Ring-Retaining |
| 4 | 114-1678 | 4 | O-Ring | 34 | 114-1694 | 1 | Gear-54T |
| 5 | 104-2189 | 1 | Plug-Thread, Straight | 35 | 120-7975 | 1 | Spacer |
| 6 | 109-3321 | 1 | Element-Oil Filter, HYD | 36 | 126-1929 | 1 | Bearing-Ball |
| 7 | 106-8676 | 1 | Seal-Lip | 37 | 120-7976 | 1 | Bearing-Ball |
| 8 | 106-8677 | 1 | Ring-Retaining, EXT | 38 | 104-2144 | 1 | Seal |
| 9 | 114-1685 | 1 | Rod-Bypass | 39 | 109-5939 | 1 | Hub Kit |
| 10 | 106-8679 | 1 | Ring-Retaining, Int | 40 | 114-1697 | 1 | Pawl-Brake |
| 11 | 107-2490 | 1 | Arm-Bypass | 41 | 131-0907 | 1 | Shaft-Brake |
| 12 | 106-8681 | 1 | Ring-Retaining, EXT | 42 | 125-0021 | 1 | Handle-Brake |
| 13 | 104-5304 | 1 | Swashplate-Trunnion | 43 | 131-0906 | 1 | Ring-Retaining, EXT |
| 14 | 104-5313 | 1 | Seal-Lip | 44 | 104-2120 | 3 | Screw |
| 15 | 104-2116 | 1 | Stud | 45 | 120-7979 | 1 | Guard-Filter, LH |
| 16 | 112-9853 | 1 | Puck-Friction | 46 | 109-3278 | 1 | Adapter-Straight |
| 17 | 104-5308 | 1 | Spacer | 46:1 | 237-42 | 1 | O-Ring |
| 18 | 104-5310 | 1 | Seal-Lip | 47 | 114-8455 | 2 | Tube-Connecting |
| 19 | 104-5309 | 1 | Ring-Retaining | 48 | 115-5057 | 1 | Cover-Nut, Axle |
| 20 | 112-4154 | 1 | Bearing-Thrust | 49 | 131-0908 | 1 | Seal-Gerotor |
| 21 | 114-1689 | 1 | Motor Cylinder Block Kit | 50 | 121-5745 | 1 | Spacer |
| 22 | 94-6922 | 1 | Bearing-Thrust | 51 | 109-3537 | 1 | Seal Kit |
| 23 | 110-8561 | 1 | Pump Block ASM | 52 | 131-0909 | 1 | LH Center Section Charge Kit |
| 24 | 104-5339 | 1 | Washer-Flat | 53 | 114-8464 | 1 | Charge Relief Kit |
| 25 | 104-5340 | 1 | Ring-Retaining | 54 | 114-8465 | 1 | Charge Kit |
| 26 | 131-0905 | 1 | Gear-14T | 55 | 125-0059 | 1 | Fan And Pulley Kit |
| 27 | 114-1691 | 1 | Shaft-Motor | 56 | 117-5361 | 1 | Input Shaft Kit |
| 28 | 104-5360 | 1 | Washer | 57 | 117-5362 | 1 | Arm Control Kit |
| 29 | 94-1933 | 2 | Washer | 58 | 114-8470 | 1 | Axle Shaft Kit |
| 30 | 114-1692 | 1 | Gear-45T | | | | |

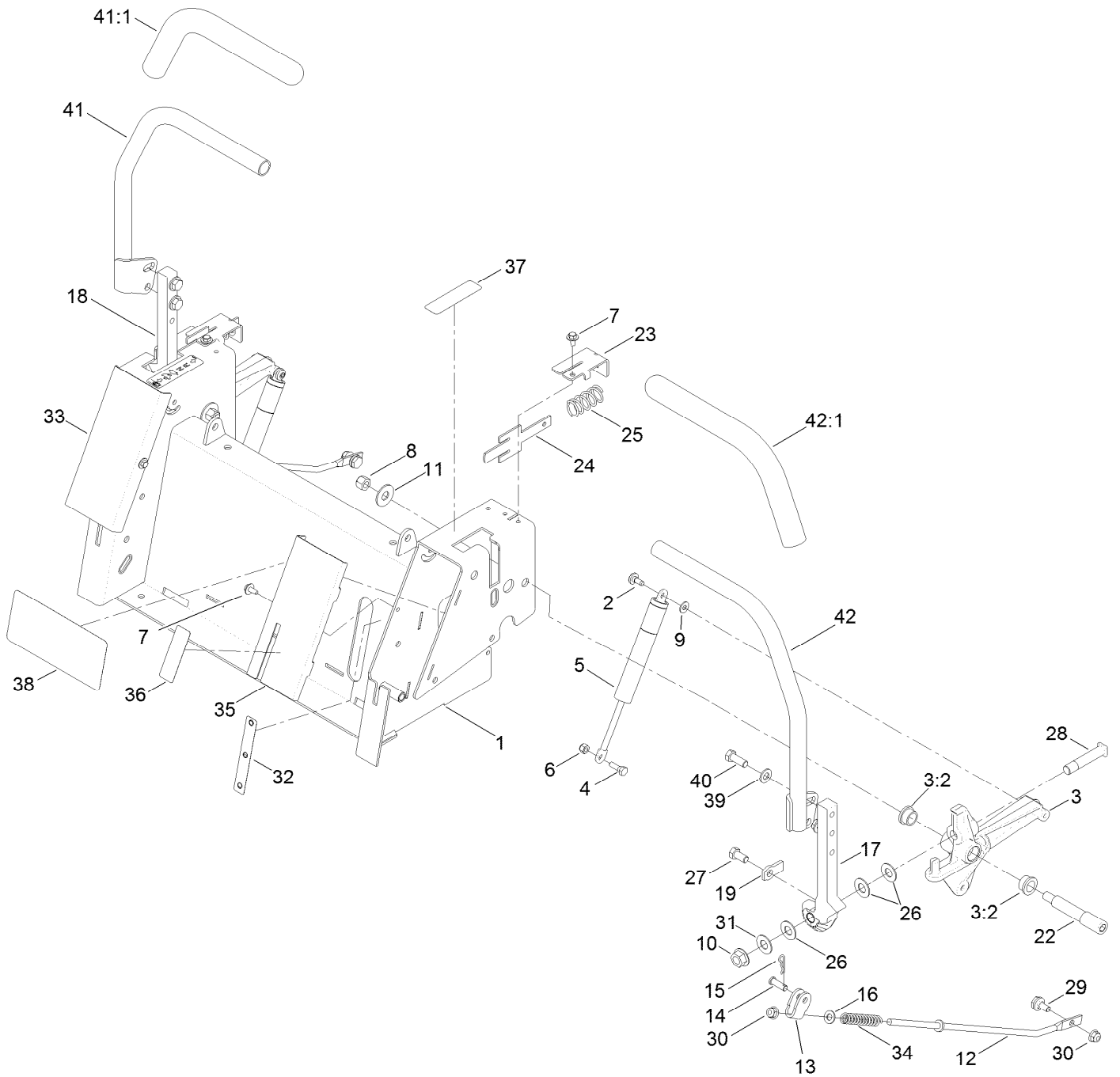
RH Hydro Transmission Assembly No. 127-3382



RH Hydro Transmission Assembly No. 127-3382 (continued)

| <i>Ref.</i> | <i>Part Number</i> | <i>Qty.</i> | <i>Description</i> | <i>Ref.</i> | <i>Part Number</i> | <i>Qty.</i> | <i>Description</i> |
|-------------|--------------------|-------------|--------------------------|-------------|--------------------|-------------|------------------------------|
| 1 | 114-1676 | 1 | Main Housing Kit | 31 | 120-7974 | 1 | Gear-11T |
| 2 | 117-5358 | 1 | Housing Side Kit | 32 | 104-5329 | 1 | Pin-Jackshaft |
| 3 | 117-5359 | 16 | Screw-HHF | 33 | 104-2169 | 1 | Ring-Retaining |
| 4 | 114-1678 | 4 | O-Ring | 34 | 114-1694 | 1 | Gear-54T |
| 5 | 104-2189 | 1 | Plug-Thread, Straight | 35 | 120-7975 | 1 | Spacer |
| 6 | 109-3321 | 1 | Element-Oil Filter, HYD | 36 | 126-1929 | 1 | Bearing-Ball |
| 7 | 106-8676 | 1 | Seal-Lip | 37 | 120-7976 | 1 | Bearing-Ball |
| 8 | 106-8677 | 1 | Ring-Retaining, EXT | 38 | 104-2144 | 1 | Seal |
| 9 | 114-1685 | 1 | Rod-Bypass | 39 | 109-5939 | 1 | Hub Kit |
| 10 | 106-8679 | 1 | Ring-Retaining, Int | 40 | 114-1697 | 1 | Pawl-Brake |
| 11 | 107-2490 | 1 | Arm-Bypass | 41 | 131-0907 | 1 | Shaft-Brake |
| 12 | 106-8681 | 1 | Ring-Retaining, EXT | 42 | 125-0021 | 1 | Handle-Brake |
| 13 | 104-5304 | 1 | Swashplate-Trunnion | 43 | 131-0906 | 1 | Ring-Retaining, EXT |
| 14 | 104-5313 | 1 | Seal-Lip | 44 | 104-2120 | 3 | Screw |
| 15 | 104-2116 | 1 | Stud | 45 | 120-7981 | 1 | Guard-Filter, RH |
| 16 | 112-9853 | 1 | Puck-Friction | 46 | 109-3278 | 1 | Adapter-Straight |
| 17 | 104-5308 | 1 | Spacer | 46:1 | 237-42 | 1 | O-Ring |
| 18 | 104-5310 | 1 | Seal-Lip | 47 | 114-8455 | 2 | Tube-Connecting |
| 19 | 104-5309 | 1 | Ring-Retaining | 48 | 115-5057 | 1 | Cover-Nut, Axle |
| 20 | 112-4154 | 1 | Bearing-Thrust | 49 | 131-0908 | 1 | Seal-Gerotor |
| 21 | 114-1689 | 1 | Motor Cylinder Block Kit | 50 | 121-5745 | 1 | Spacer |
| 22 | 94-6922 | 1 | Bearing-Thrust | 51 | 109-3537 | 1 | Seal Kit |
| 23 | 110-8561 | 1 | Pump Block ASM | 52 | 131-0910 | 1 | RH Center Section Charge Kit |
| 24 | 104-5339 | 1 | Washer-Flat | 53 | 114-8464 | 1 | Charge Relief Kit |
| 25 | 104-5340 | 1 | Ring-Retaining | 54 | 114-8465 | 1 | Charge Kit |
| 26 | 131-0905 | 1 | Gear-14T | 55 | 125-0059 | 1 | Fan And Pulley Kit |
| 27 | 114-1691 | 1 | Shaft-Motor | 56 | 117-5361 | 1 | Input Shaft Kit |
| 28 | 104-5360 | 1 | Washer | 57 | 117-5362 | 1 | Arm Control Kit |
| 29 | 94-1933 | 2 | Washer | 58 | 114-8470 | 1 | Axle Shaft Kit |
| 30 | 114-1692 | 1 | Gear-45T | | | | |

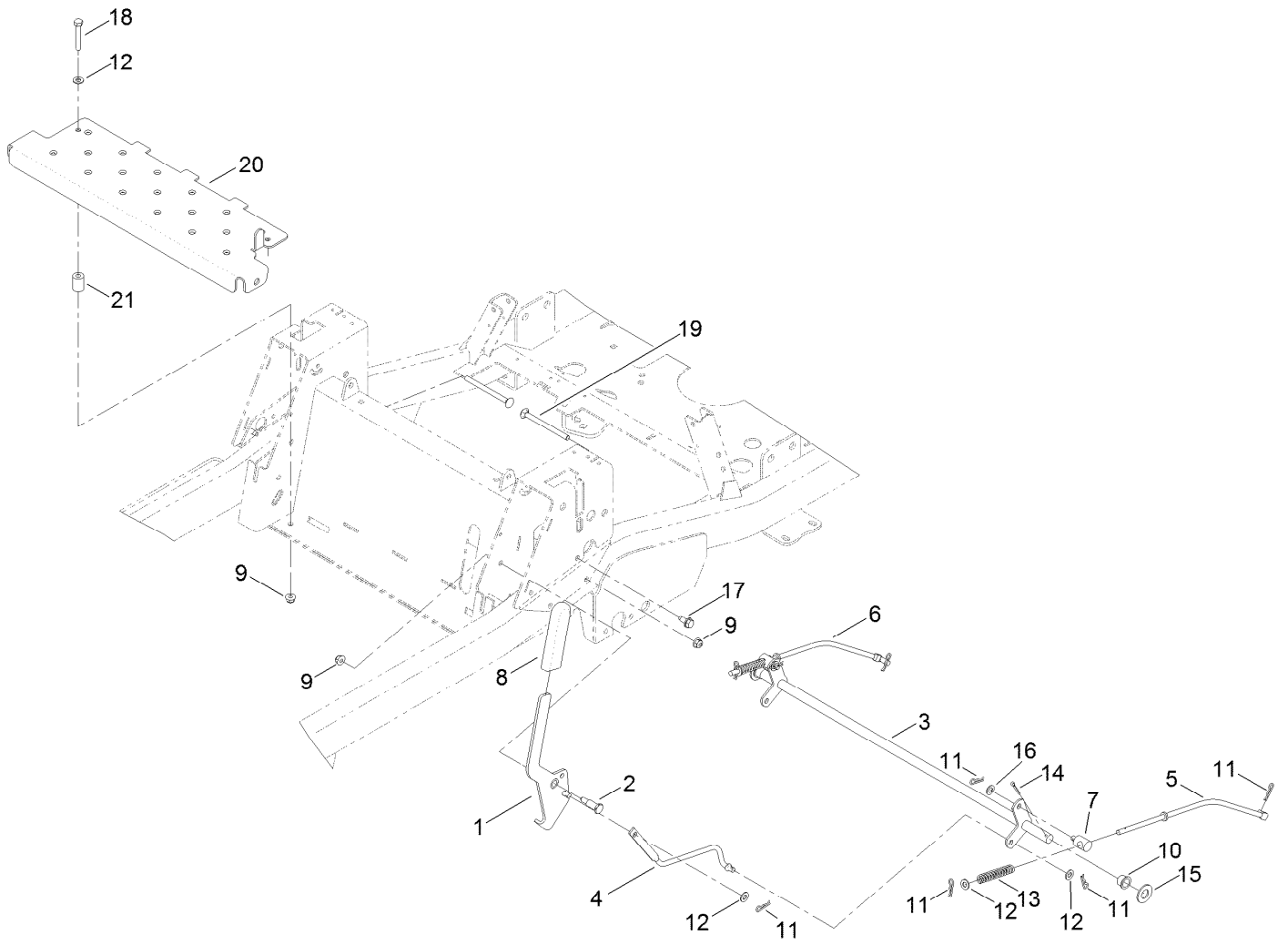
Motion Control Assembly



Motion Control Assembly (continued)

| <i>Ref.</i> | <i>Part Number</i> | <i>Qty.</i> | <i>Description</i> | <i>Ref.</i> | <i>Part Number</i> | <i>Qty.</i> | <i>Description</i> |
|-------------|--------------------|-------------|------------------------|-------------|--------------------|-------------|------------------------|
| 1 | 127-3282-03 | 1 | Box-Control | 24 | 110-6750 | 2 | Plate-Return |
| 2 | 120-7950 | 2 | Screw-Shoulder | 25 | 110-6752 | 2 | Spring-Compression |
| 3 | 110-6828 | 2 | Activator Arm ASM | 26 | 110-6894 | 6 | Washer-Pivot |
| 3:2 | 105-3455 | 2 | Bushing | 27 | 323-4 | 2 | Screw-HH |
| 4 | 106-2214 | 2 | Bolt-Shoulder | 28 | 110-6784 | 2 | Bolt-Shoulder |
| 5 | 109-2339 | 2 | Damper-Control, Motion | 29 | 37-8771 | 2 | Bolt-Shoulder |
| 6 | 3296-42 | 2 | Nut-Lock, NI | 30 | 104-8300 | 4 | Nut-Flange, NI |
| 7 | 46-8560 | 4 | Screw-HHFTF | 31 | 112-9771 | 2 | Washer-Teflon |
| 8 | 3296-48 | 2 | Nut-Lock, NI | 32 | 130-0655 | 1 | Decal-Fill, Fuel |
| 9 | 119-8952 | 2 | Washer | 33 | 117-1255-03 | 1 | Cover-Control, RH |
| 10 | 32128-23 | 2 | Nut-HF | 34 | 1-603807 | 2 | Spring-Return, Neutral |
| 11 | 3256-5 | 2 | Washer-Flat | 35 | 115-2561-03 | 1 | Cover-Control, LH |
| 12 | 117-7422 | 2 | Rod-Control | 36 | 115-9625 | 1 | Decal |
| 13 | 117-7423 | 2 | Bracket-Control | 37 | 99-8936 | 2 | Decal-Control, Motion |
| 14 | 1-808280 | 2 | Pin-Clevis | 38 | 127-3384 | 1 | Decal-Titan Zx 5400 |
| 15 | 1-806003 | 2 | Pin-Cotter, Hair | 39 | 3256-24 | 4 | Washer-Flat |
| 16 | 3256-23 | 2 | Washer-Flat | 40 | 323-6 | 4 | Screw-HH |
| 17 | 110-6783-05 | 1 | Arm-Actuator, LH | 41 | 121-0731 | 1 | Handle-Control, RH |
| 18 | 110-6782-05 | 1 | Arm-Actuator, RH | 41:1 | 121-0726 | 1 | Grip |
| 19 | 115-5023 | 2 | Tab-Stop | 42 | 121-0730 | 1 | Handle-Control, LH |
| 22 | 110-6875 | 2 | Bolt-Shoulder | 42:1 | 121-0726 | 1 | Grip |
| 23 | 110-6751 | 2 | Bracket-Return | | | | |

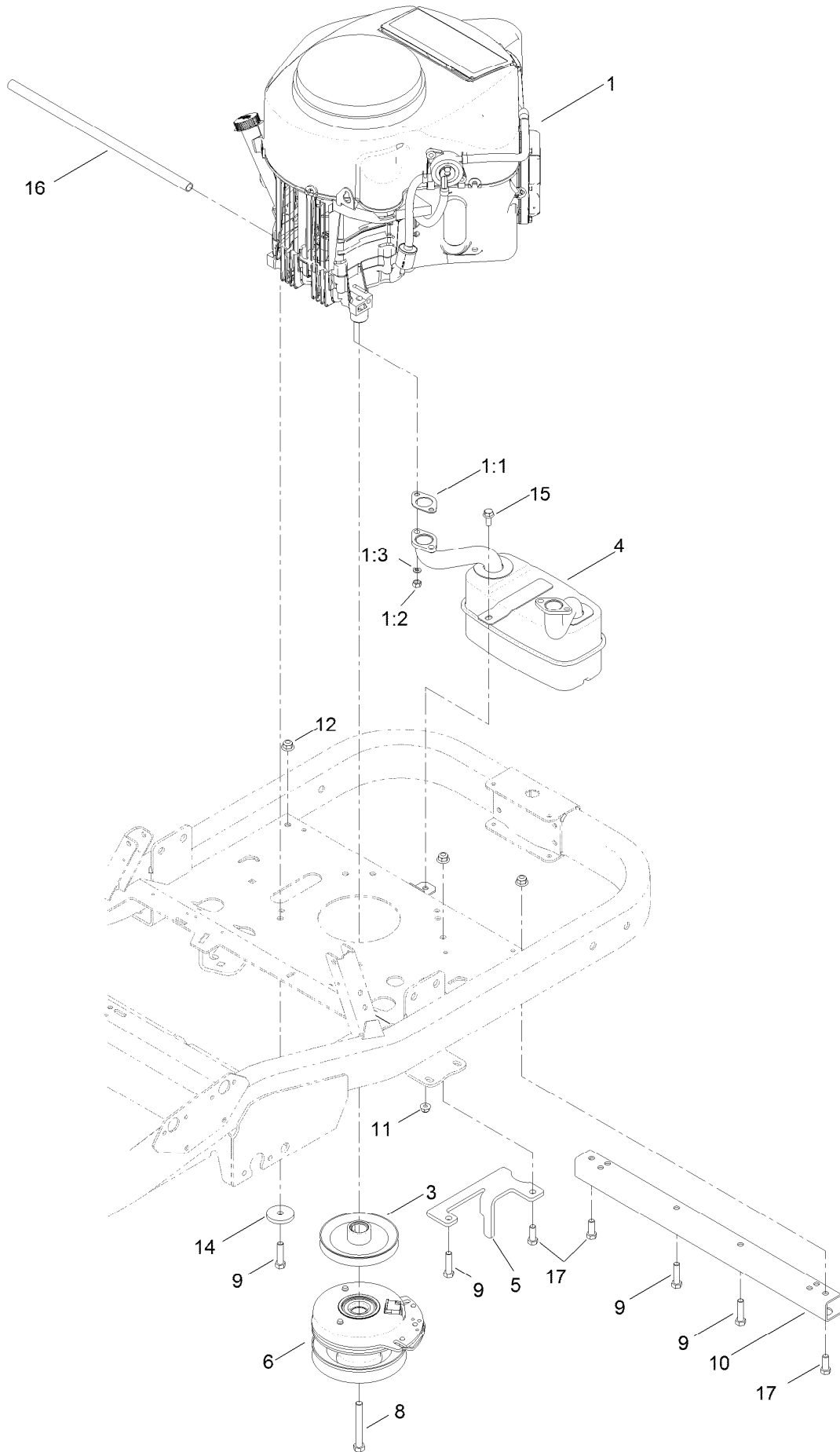
Brake Link Assembly



Brake Link Assembly (continued)

| <i>Ref.</i> | <i>Part Number</i> | <i>Qty.</i> | <i>Description</i> | <i>Ref.</i> | <i>Part Number</i> | <i>Qty.</i> | <i>Description</i> |
|-------------|--------------------|-------------|--------------------|-------------|--------------------|-------------|--------------------------|
| 1 | 119-3460 | 1 | Handle-Brake | 12 | 3256-23 | 6 | Washer-Flat |
| 2 | 63-2650 | 1 | Screw-Shoulder | 13 | 1-603807 | 2 | Spring-Return, Neutral |
| 3 | 115-5071-03 | 1 | Brake-Bellcrank | 14 | 3272-11 | 2 | Pin-Cotter |
| 4 | 115-5074 | 1 | Link-Brake | 15 | 3256-27 | 2 | Washer-Flat |
| 5 | 117-7322 | 1 | Rod-Brake, LH | 16 | 40-1940 | 2 | Washer |
| 6 | 117-7323 | 1 | Rod-Brake, RH | 17 | 32144-70 | 4 | Screw-HWHTF |
| 7 | 115-9681 | 2 | Fitting-Rod | 18 | 322-10 | 2 | Screw-HH |
| 8 | 1-633268 | 1 | Grip-Lever | 19 | 106-9758 | 2 | Screw-CARR |
| 9 | 104-8300 | 5 | Nut-Flange, NI | 20 | 127-3435-01 | 1 | Plate-Support, Floor Pan |
| 10 | 256-292 | 2 | Bushing-Flange, NI | 21 | 119-0718 | 2 | Spacer |
| 11 | 1-806003 | 8 | Pin-Cotter, Hair | | | | |

Engine, Muffler and Clutch Assembly



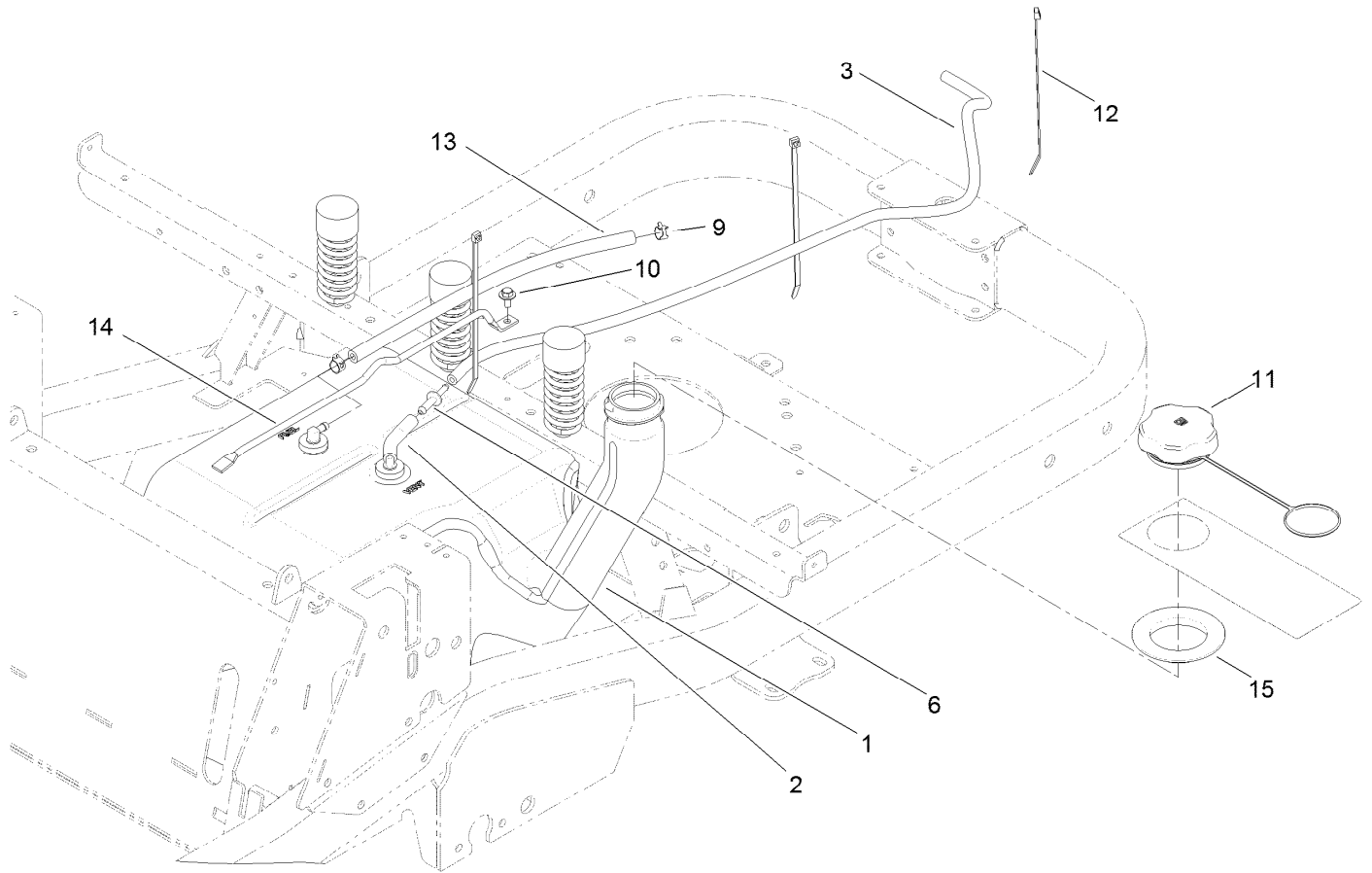
Engine, Muffler and Clutch Assembly (continued)

| <i>Ref.</i> | <i>Part Number</i> | <i>Qty.</i> | <i>Description</i> | <i>Ref.</i> | <i>Part Number</i> | <i>Qty.</i> | <i>Description</i> |
|-------------|--------------------|-------------|-------------------------------------|-------------|--------------------|-------------|--------------------|
| 1 | | 1 | Engine-Kawasaki, Fr691V-S12-R ●■ | 8 | 3212-13 | 1 | Screw-HH |
| 1:1 | 1-653313 | 2 | Gasket-Exhaust | 9 | 323-50 | 4 | Bolt-HH |
| 1:2 | 114-3549 | 4 | Nut | 10 | 117-7335-03 | 1 | Tube-Stiffener |
| 1:3 | 114-3550 | 4 | Washer-Lock, Spring | 11 | 104-8300 | 1 | Nut-Flange, NI |
| 3 | 125-5576 | 1 | Pulley-Engine | 12 | 104-8301 | 3 | Nut-Flange, NI |
| 4 | 125-1760 | 1 | Muffler | 14 | 110-9981 | 1 | Washer-Plain |
| 5 | 117-7344-03 | 1 | Bracket-Stop, PTO | 15 | 3234-47 | 1 | Screw-HHF |
| 6 | 127-3410 | 1 | Clutch-PTO | 16 | 106-7022 | 1 | Tube-Drain, Oil |
| | | | | 17 | 323-6 | 3 | Screw-HH |

● Not serviced separately

■ Obtain parts from www.kawpowerepc.com

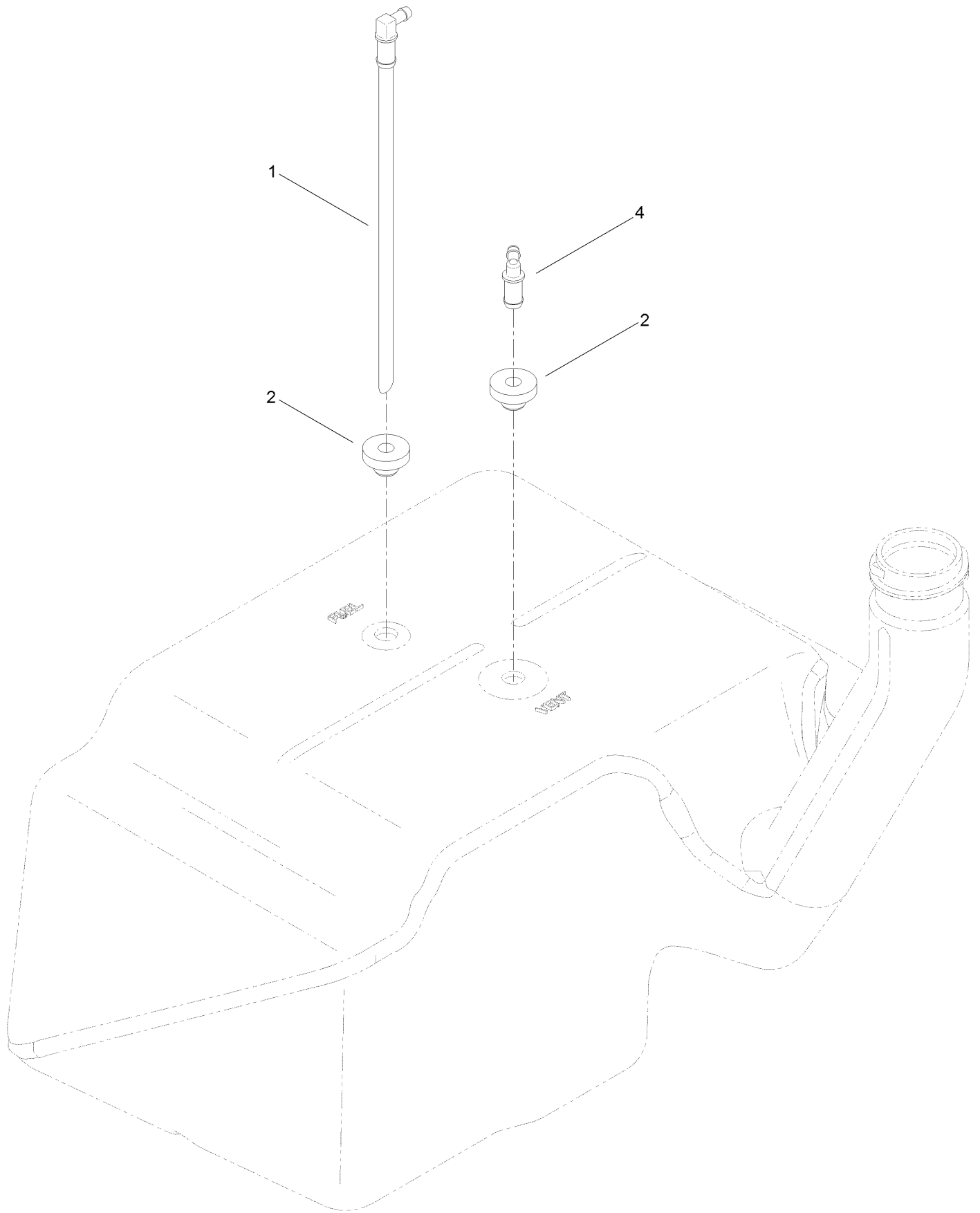
Fuel Delivery Assembly



Fuel Delivery Assembly (continued)

| <i>Ref.</i> | <i>Part Number</i> | <i>Qty.</i> | <i>Description</i> | <i>Ref.</i> | <i>Part Number</i> | <i>Qty.</i> | <i>Description</i> |
|-------------|--------------------|-------------|---------------------------|-------------|--------------------|-------------|--------------------|
| 1 | 117-7352 | 1 | Multi Layer Fuel Tank ASM | 11 | 125-1847 | 1 | Cap-Fuel |
| 2 | 114-3765 | 1 | Hose-Fuel | 12 | 614249 | 3 | Tie-Cable |
| 3 | 51-3212 | 1 | Hose-Fuel | 13 | 107-0589 | 1 | Hose-Fuel |
| 6 | 121-0743 | 1 | Adapter-Orifice | 14 | 115-2620 | 1 | Rod-Tank, Gas |
| 9 | 2412-98 | 2 | Clamp-Hose | 15 | 117-1298 | 1 | Seal-Tank |
| 10 | 46-8560 | 1 | Screw-HHFTF | | | | |

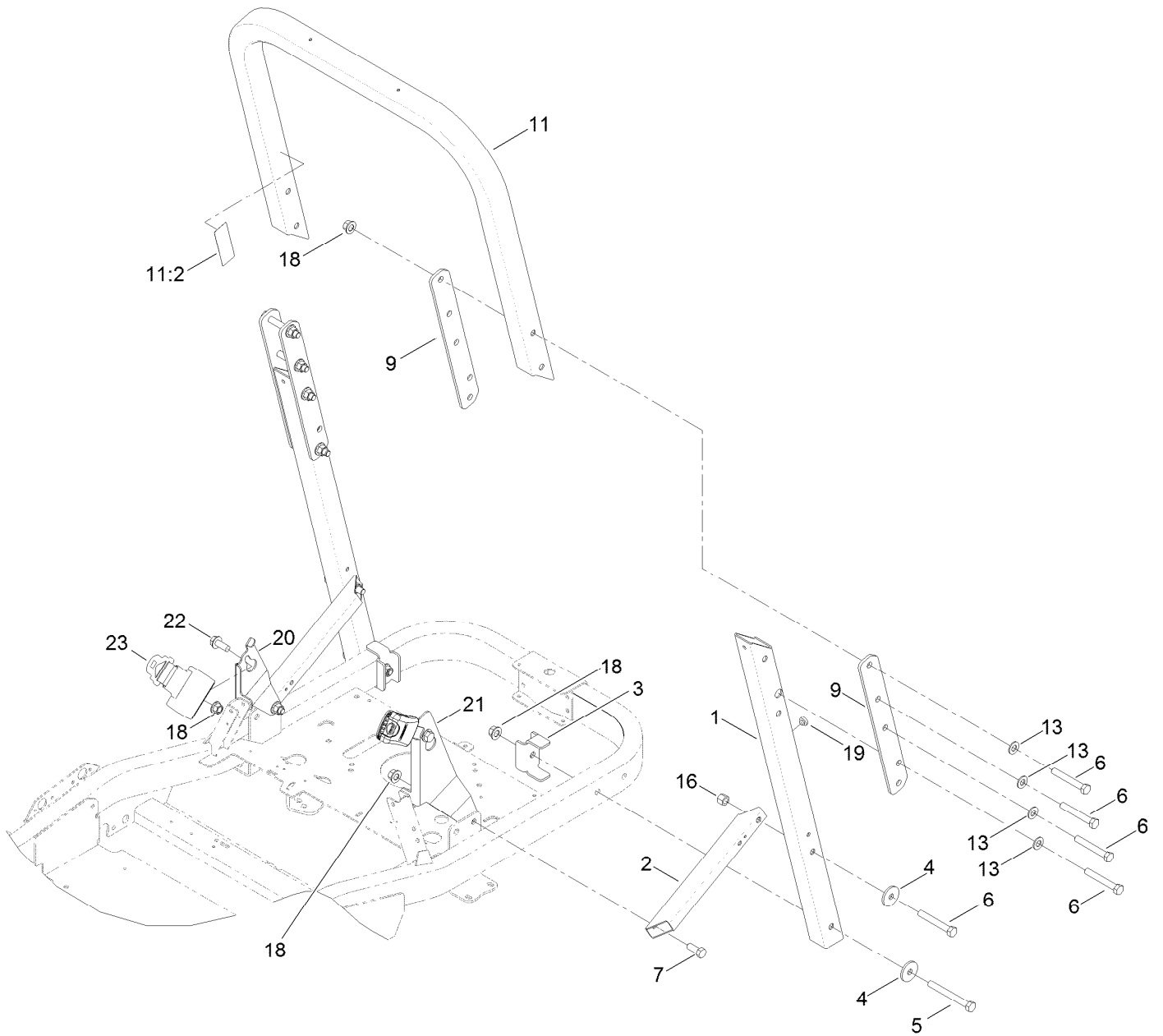
Multi Layer Fuel Tank Assembly No. 117-7352



Multi Layer Fuel Tank Assembly No. 117-7352 (continued)

| <i>Ref.</i> | <i>Part Number</i> | <i>Qty.</i> | <i>Description</i> |
|-------------|--------------------|-------------|-------------------------|
| 1 | 121-0793 | 1 | Connector-Elbow, 90 DEG |
| 2 | 46-6560 | 2 | Bushing |
| 4 | 117-7400 | 1 | Fitting-Plastic |

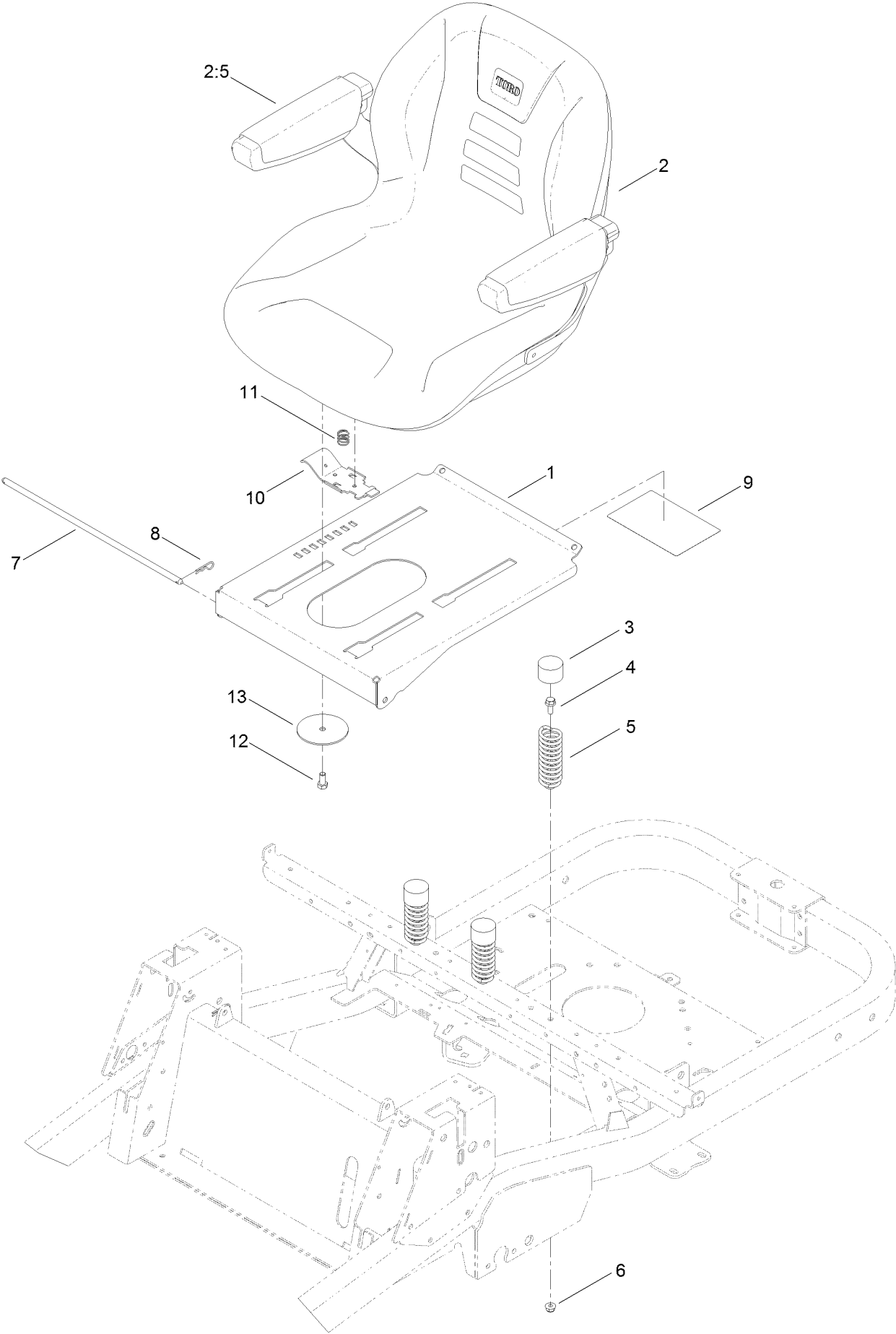
Roll-Over Protection System Assembly



Roll-Over Protection System Assembly (continued)

| <i>Ref.</i> | <i>Part Number</i> | <i>Qty.</i> | <i>Description</i> | <i>Ref.</i> | <i>Part Number</i> | <i>Qty.</i> | <i>Description</i> |
|-------------|--------------------|-------------|---------------------|-------------|--------------------|-------------|---------------------|
| 1 | 121-2986-03 | 2 | Tube-ROPS, Lower | 11:2 | 130-6927 | 1 | Decal-ROPS, Warning |
| 2 | 115-4962-03 | 2 | Tube-Support, ROPS | 13 | 3256-26 | 8 | Washer-Flat |
| 3 | 115-4963-03 | 2 | Bracket-Reinforcing | 16 | 119-8969 | 2 | Nut-Hex |
| 4 | 84-1560 | 4 | Washer-Thrust | 18 | 99-5107 | 12 | Nut-Lock |
| 5 | 325-18 | 2 | Screw-HH | 19 | 1-513658 | 2 | Bumper |
| 6 | 325-14 | 10 | Screw-HH | 20 | 115-5038-03 | 1 | Bracket-Belt, Seat |
| 7 | 325-5 | 2 | Screw-HH | 21 | 115-5060-03 | 1 | Bracket-Belt, Seat |
| 9 | 127-3326-03 | 4 | Plate-ROPS | 22 | 3234-38 | 2 | Screw-HHF |
| 11 | 130-6929 | 1 | Upper ROPS ASM | 23 | 109-9805 | 1 | Seat Belt Kit |

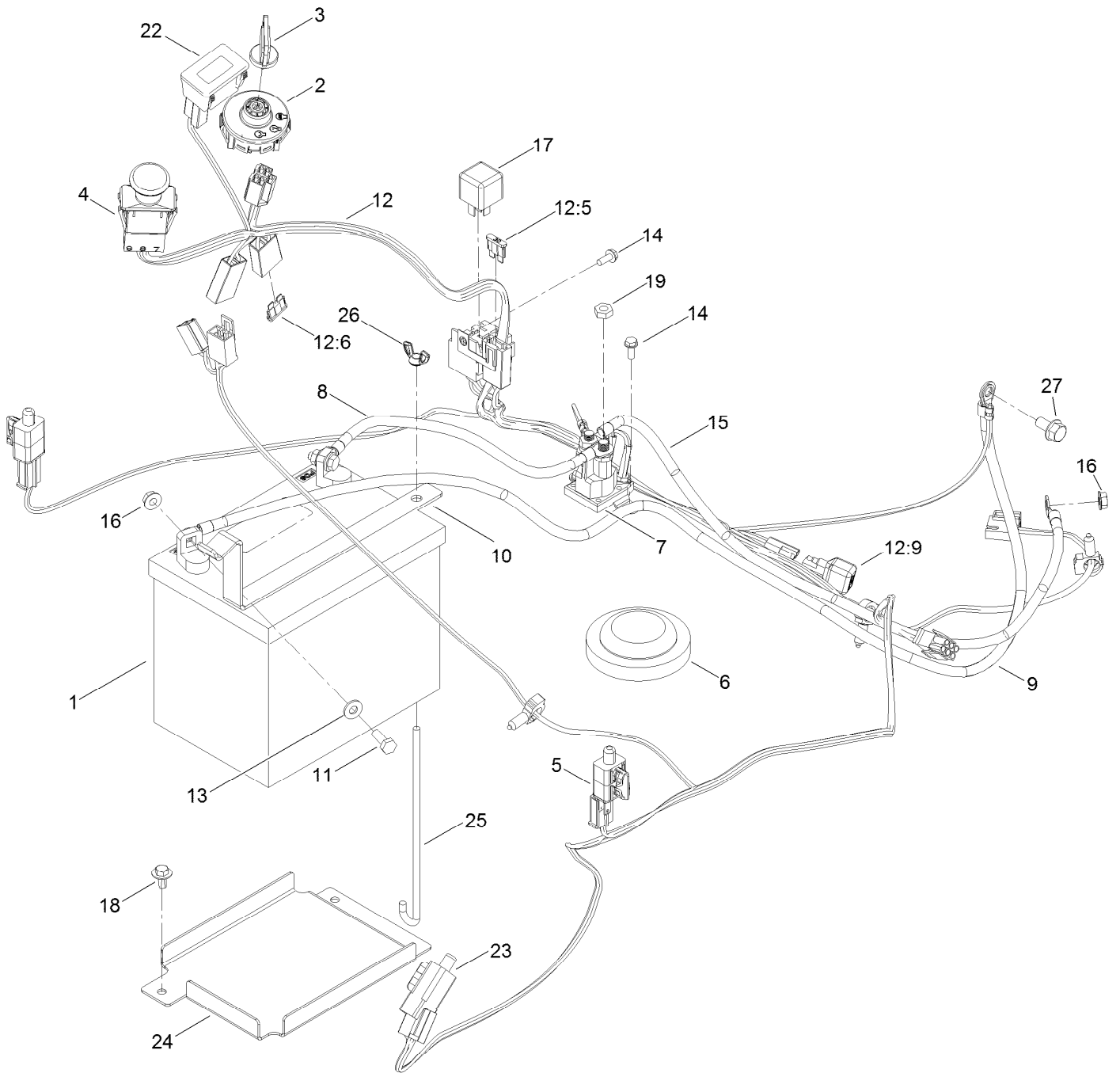
Seat Assembly



Seat Assembly (continued)

| <i>Ref.</i> | <i>Part Number</i> | <i>Qty.</i> | <i>Description</i> | <i>Ref.</i> | <i>Part Number</i> | <i>Qty.</i> | <i>Description</i> |
|-------------|--------------------|-------------|--------------------|-------------|--------------------|-------------|--------------------|
| 1 | 117-5320-03 | 1 | Pan-Seat | 7 | 115-4966 | 1 | Rod-Stop |
| 2 | 115-5053 | 1 | 18 Inch Seat ASM | 8 | 3290-250 | 2 | Pin-Hair |
| 2:5 | 119-3307 | 1 | Armrest Kit | 9 | 130-6996 | 1 | Decal-Maintenance |
| 3 | 701178 | 3 | Cap-Protector | 10 | 115-9623 | 1 | Latch-Seat |
| 4 | 3234-47 | 3 | Screw-HHF | 11 | 115-9624 | 1 | Spring-Compression |
| 5 | 92-7054 | 3 | Spring-Compression | 12 | 323-4 | 1 | Screw-HH |
| 6 | 104-8300 | 3 | Nut-Flange, NI | 13 | 117-5307 | 1 | Washer-Seat |

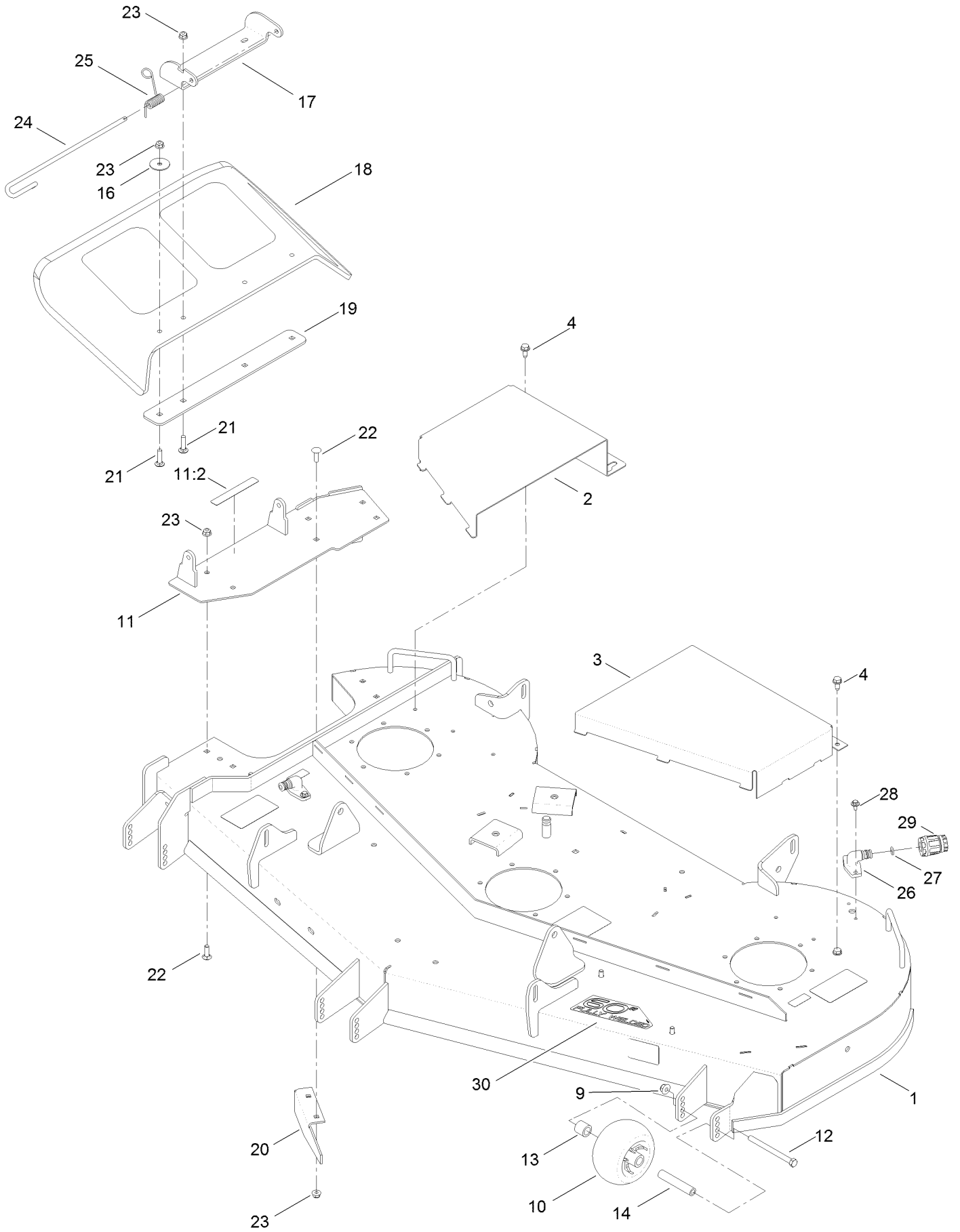
Electrical Assembly



Electrical Assembly (continued)

| <i>Ref.</i> | <i>Part Number</i> | <i>Qty.</i> | <i>Description</i> | <i>Ref.</i> | <i>Part Number</i> | <i>Qty.</i> | <i>Description</i> |
|-------------|--------------------|-------------|-------------------------|-------------|--------------------|-------------|--------------------|
| 1 | 105-1692 | 1 | Battery-Dry | 12:9 | 100-4918 | 1 | Diode-Over Molded |
| 2 | 117-2221 | 1 | Switch-Ignition | 13 | 3256-22 | 2 | Washer-Flat |
| 3 | 63-8360 | 1 | Key-Ignition | 14 | 32144-1 | 3 | Screw-Taptite |
| 4 | 103-5221 | 1 | Switch-PTO | 15 | 92-6989 | 1 | Wire-21 Inch |
| 5 | 110-6765 | 2 | Switch | 16 | 32128-33 | 3 | Nut-HF |
| 6 | 100-3524 | 1 | Switch-Seat | 17 | 98-7249 | 1 | Relay |
| 7 | 117-1197 | 1 | Solenoid | 18 | 46-8560 | 2 | Screw-HHFTF |
| 8 | 117-5342 | 1 | Cable-Battery, Positive | 19 | 3220-2 | 2 | Nut-Jam |
| 9 | 117-7240 | 1 | Cable-Battery, Negative | 22 | 120-2244 | 1 | Hourmeter |
| 10 | 117-7313-01 | 1 | Strap-Battery | 23 | 99-7408 | 1 | Switch-Reverse |
| 11 | 321-4 | 2 | Screw-HH | 24 | 117-1283-03 | 1 | Tray-Battery |
| 12 | 130-0651 | 1 | Harness-Wire | 25 | 1-633651 | 1 | Bolt-Holddown |
| 12:5 | 109103 | 1 | Fuse-Blade, 30 Amp | 26 | 1-543792 | 1 | Wingnut |
| 12:6 | 109102 | 1 | Fuse-Blade, 25 Amp | 27 | 33104-016 | 1 | Screw-HHF |

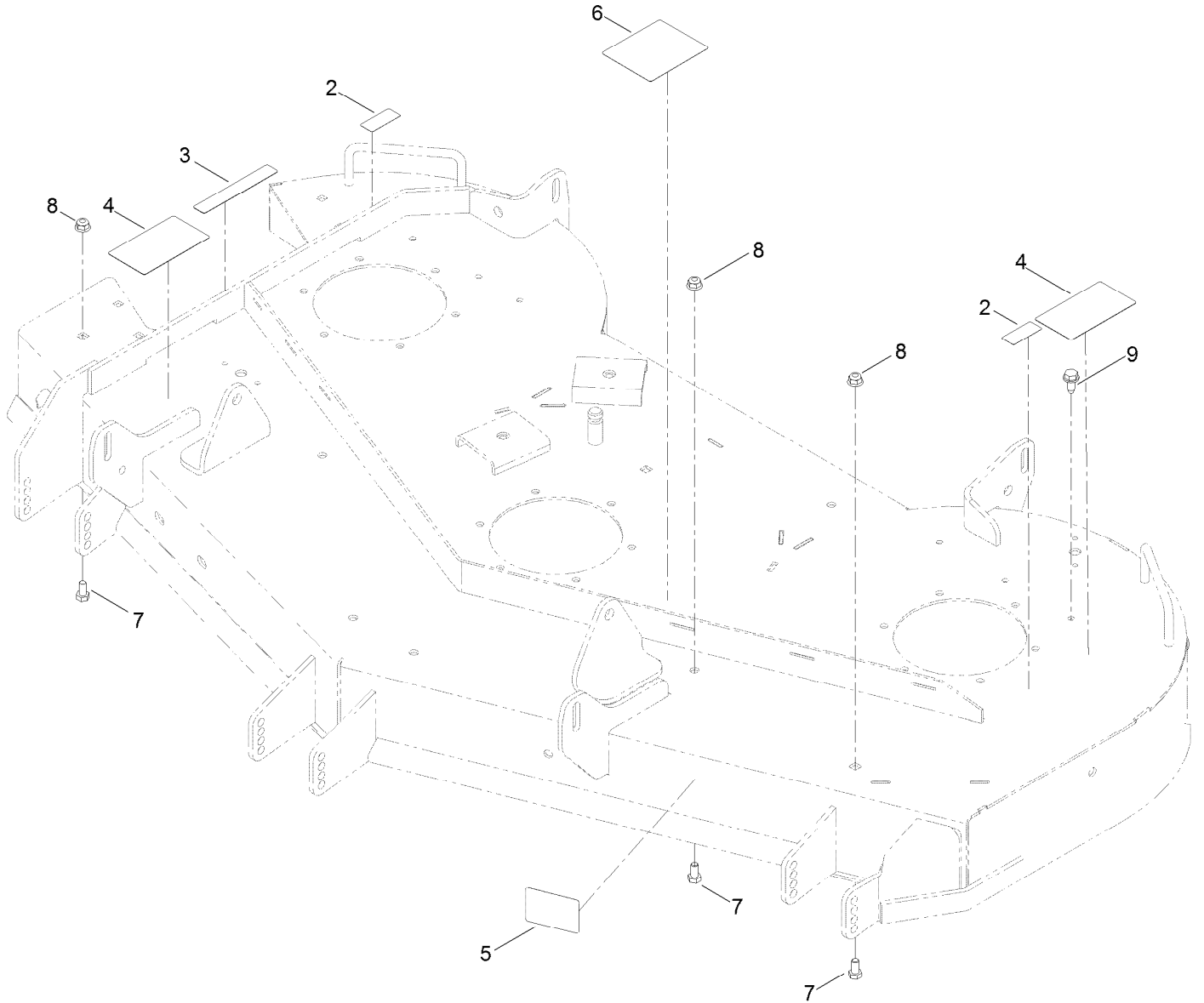
54 Inch Deck Assembly



54 Inch Deck Assembly (continued)

| <i>Ref.</i> | <i>Part Number</i> | <i>Qty.</i> | <i>Description</i> | <i>Ref.</i> | <i>Part Number</i> | <i>Qty.</i> | <i>Description</i> |
|-------------|--------------------|-------------|--------------------------|-------------|--------------------|-------------|--------------------|
| 1 | 127-3280 | 1 | 54 Inch Deck ASM | 18 | 117-1270 | 1 | Deflector |
| 2 | 117-7404-05 | 1 | Cover-Belt, RH 54 Inch | 19 | 115-5048-03 | 1 | Plate-Deflector |
| 3 | 117-7405-05 | 1 | Cover-Belt, LH 54 Inch | 20 | 115-9653-03 | 1 | Baffle-Cutoff |
| 4 | 32144-70 | 4 | Screw-HWHTF | 21 | 3230-3 | 4 | Screw-CARR |
| 9 | 104-8301 | 3 | Nut-Flange, NI | 22 | 3230-22 | 4 | Screw-CARR |
| 10 | 1-603299 | 3 | Roller-Scalp, Anti | 23 | 104-8300 | 8 | Nut-Flange, NI |
| 11 | 130-0763 | 1 | Pivot-Deflector | 24 | 109-8854 | 1 | Pin-Chute |
| 11:2 | 130-0731 | 1 | Decal-Danger | 25 | 121-2983 | 1 | Spring-Torsion |
| 12 | 323-23 | 3 | Screw-HH | 26 | 95-2747 | 2 | Fitting-Washout |
| 13 | 104-0892 | 3 | Spacer-Axle, Rear | 27 | 46-6290 | 2 | O-Ring |
| 14 | 98-7912 | 3 | Tube-Spanner | 28 | 46-8560 | 4 | Screw-HHFTF |
| 16 | 3256-68 | 2 | Washer-Flat | 29 | 95-3270 | 1 | Connector-Hose |
| 17 | 114-1648-05 | 1 | Bracket-Deflector, Upper | 30 | 117-5302 | 1 | Decal |

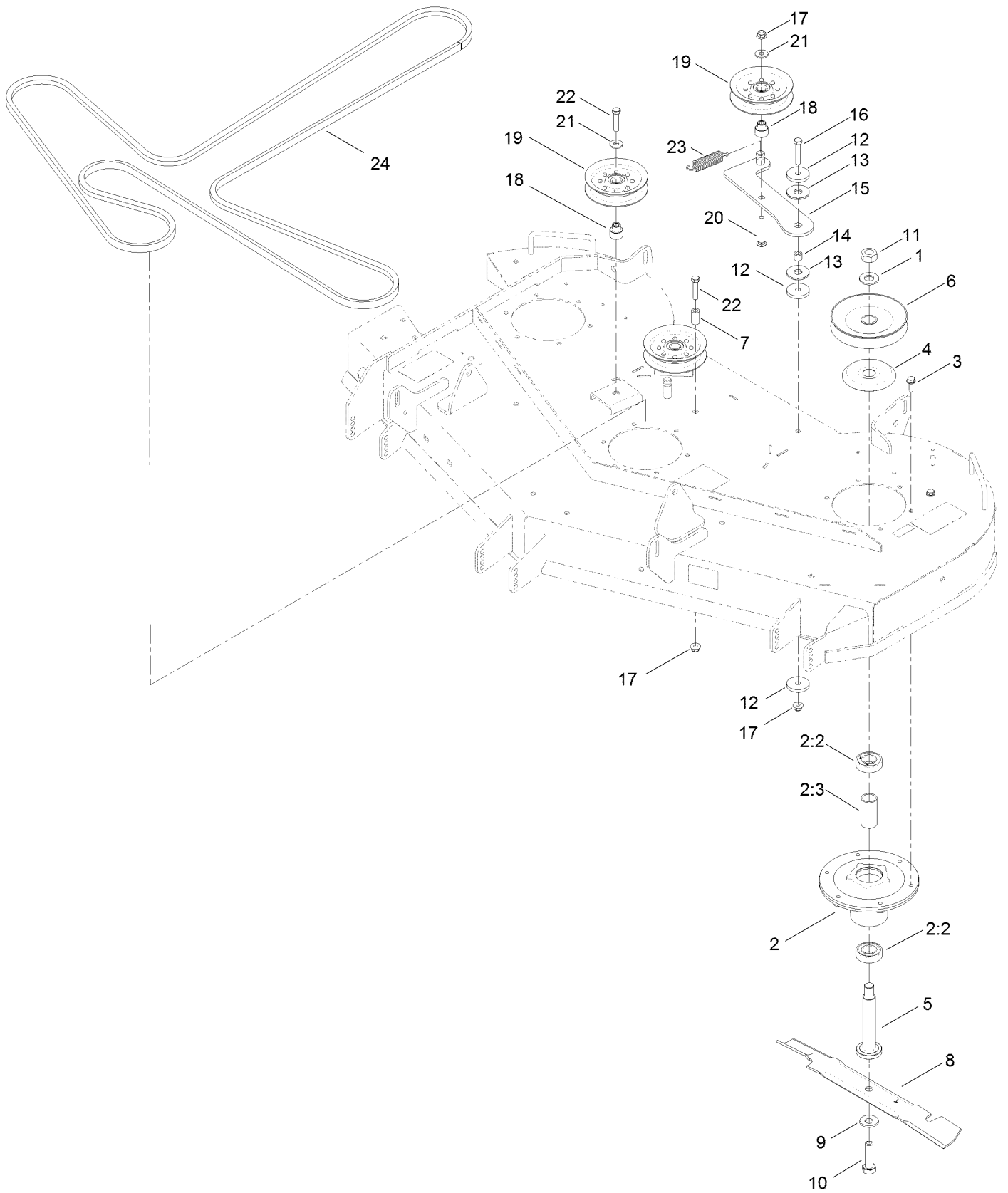
54 Inch Deck and Decal Assembly



54 Inch Deck and Decal Assembly (continued)

| <i>Ref.</i> | <i>Part Number</i> | <i>Qty.</i> | <i>Description</i> | <i>Ref.</i> | <i>Part Number</i> | <i>Qty.</i> | <i>Description</i> |
|-------------|--------------------|-------------|--------------------|-------------|--------------------|-------------|---------------------|
| 2 | 114-1606 | 2 | Decal-Danger | 6 | 117-1194 | 1 | Decal-Routing, Belt |
| 3 | 130-0731 | 1 | Decal-Danger | 7 | 322-2 | 3 | Screw-HH |
| 4 | 130-6928 | 2 | Decal-Danger | 8 | 104-8300 | 3 | Nut-Flange, NI |
| 5 | 130-0765 | 1 | Decal-Scalp, Anti | 9 | 32144-70 | 1 | Screw-HWHTF |

54 Inch Deck, Belt and Mulch Blade Assembly



54 Inch Deck, Belt and Mulch Blade Assembly (continued)

| <i>Ref.</i> | <i>Part Number</i> | <i>Qty.</i> | <i>Description</i> | <i>Ref.</i> | <i>Part Number</i> | <i>Qty.</i> | <i>Description</i> |
|-------------|--------------------|-------------|--------------------|-------------|--------------------|-------------|----------------------------|
| 1 | 7-4150 | 3 | Washer | 12 | 110-9981 | 3 | Washer-Plain |
| 2 | 120-5477 | 3 | Spindle ASM | 13 | 114-0463 | 2 | Washer-Friction, Composite |
| 2:2 | 116-0720 | 2 | Bearing-Ball | 14 | 1-413088 | 1 | Bushing-Lever, Lift |
| 2:3 | 115-2641 | 1 | Spacer-Bearing | 15 | 115-5054 | 1 | Arm-Idler |
| 3 | 32144-41 | 18 | Screw-Taptite | 16 | 323-10 | 1 | Screw-HH |
| 4 | 117-7210 | 3 | Shield-Bearing | 17 | 104-8301 | 3 | Nut-Flange, NI |
| 5 | 115-2642 | 3 | Shaft-Spindle | 18 | 115-2577 | 3 | Bushing-Idler |
| 6 | 115-5018 | 3 | Pulley | 19 | 116-3626 | 3 | Pulley-Idler |
| 7 | 1-603401 | 1 | Spacer-Fender | 20 | 3231-31 | 1 | Screw-CARR |
| 8 | 115-9650-03 | 3 | Blade-Hi Flo | 21 | 80-6990 | 3 | Washer-Hardened |
| 9 | 125-1736 | 3 | Washer-Belleville | 22 | 323-9 | 3 | Screw-HH |
| 10 | 51-4060 | 3 | Screw-Blade | 23 | 108-4056 | 1 | Spring-Extension |
| 11 | 3219-7 | 3 | Nut-Hex | 24 | 115-4971 | 1 | V-Belt |

Attachments and Accessories

For 74852 TITAN ZX 5400 Zero-Turn-Radius Riding Mower

| Product Name | Model/Part |
|--|-------------------|
| 54in Recycler Kit..... | 117-5313 |
| Light Kit..... | 117-5317 |
| 54in/60in Striping Kit..... | 117-5319 |
| Leaf Bagging Enhancement Kit | 117-7202 |
| Transport Seat Hold Down Kit..... | 117-7251 |
| 54in Bagger Finishing Kit (Used with 79328 Bagger) | 121-5663 |
| MVP Filter, Belt and Blade Kit | 127-1629 |
| Seat Kit..... | 130-0788 |
| ROPS Conversion Kit | 130-6850 |
| Cargo Carrier | 79032 |
| Front Weight Kit..... | 79033 |
| Bagger Kit..... | 79328 |
| E-Z Vac Twin Bagger | 79330 |
| 54in Blower and Drive Kit..... | 79341 |

Notes:

Notes:

Notes:



Count on it.