



**Count on it.**

**Parts Catalog**

**TimeCutter® SS 5000 Riding  
Mower**

Model No. 74730—Serial No. 315000001 and Up



# Ordering Replacement Parts

To order replacement parts, please supply the part number, the quantity, and the description of each part desired.

## Understanding Reference Numbers

Each identified part in an illustration has a reference number. The reference number for a part also appears in the parts list, along with other information about the part.

This catalog uses two special reference number formats, one to indicate parts in a service assembly and another to indicate the quantity of a given part in an illustration.

## Service Assembly Reference Numbers

Parts in service assemblies have reference numbers in the form a:b. The a represents the reference number of the entire service assembly and the b represents a sequential number unique to each part within the service assembly.

For example, a wheel assembly might be identified by reference number 6, the tire by 6:1, the valve by 6:2, and the wheel by 6:3. When you order the assembly identified by reference number 6, you receive all parts identified by reference numbers 6:1, 6:2, and 6:3. However, you may also order any part individually. Reference numbers of this type appear in illustration and in parts lists.

## Reference Numbers Indicating Quantity

In an illustration, if a reference number indicates more than one part, the reference number has the form nX y. The n represents the quantity of the part, the X is the multiplication symbol, and the y represents the reference number.

For example, in an illustration, the reference number 2X 37 means that two of the parts identified by reference number 37 are indicated.

# List of Abbreviations

**AR:** as required

**ASM:** assembly

**BBC:** blade brake control

**BHTF:** button head thread forming

**CARR:** carriage

**CCW:** counter clockwise

**CW:** clockwise

**DEG:** degrees

**DPA:** Dual Point Adjustment

**ECM:** electronic control module

**EXT:** external

**FH:** flat head

**GA:** gauge

**HD:** heavy-duty

**HF:** hex flange

**HH:** hex head

**HHF:** hex head flange

**HHFTF:** hex head flange thread forming

**HJ:** hex jam

**HLH:** hex lag head

**HOC:** height-of-cut

**HP:** high pressure

**HSBH:** hex socket button head

**HSFH:** hex socket flat head

**HSH:** hex socket head

**HWH:** hex washer head

**HWHTF:** hex washer head thread forming

**HYD:** hydraulic

**LH:** left hand

**LP:** low pressure

**LPG:** Liquefied Petroleum Gas

**NI:** nylon insert

**NPTF:** national pipe thread fine

**PFH:** phillips flat head

**PPH:** phillips pan head

**PPHTF:** phillips pan head thread forming

**PRH:** phillips round head

**PTH:** phillips truss head

**PTO:** power-take-off

**RH:** right hand

**ROPS:** roll-over protection system

**RRB:** rear roller brush

**SFH:** slotted fillister head

**SHH:** slotted hex head

**SHWH:** slotted hex washer head

**SPH:** slotted pan head

**SQH:** square head

**SRH:** slotted round head

**STD:** standard

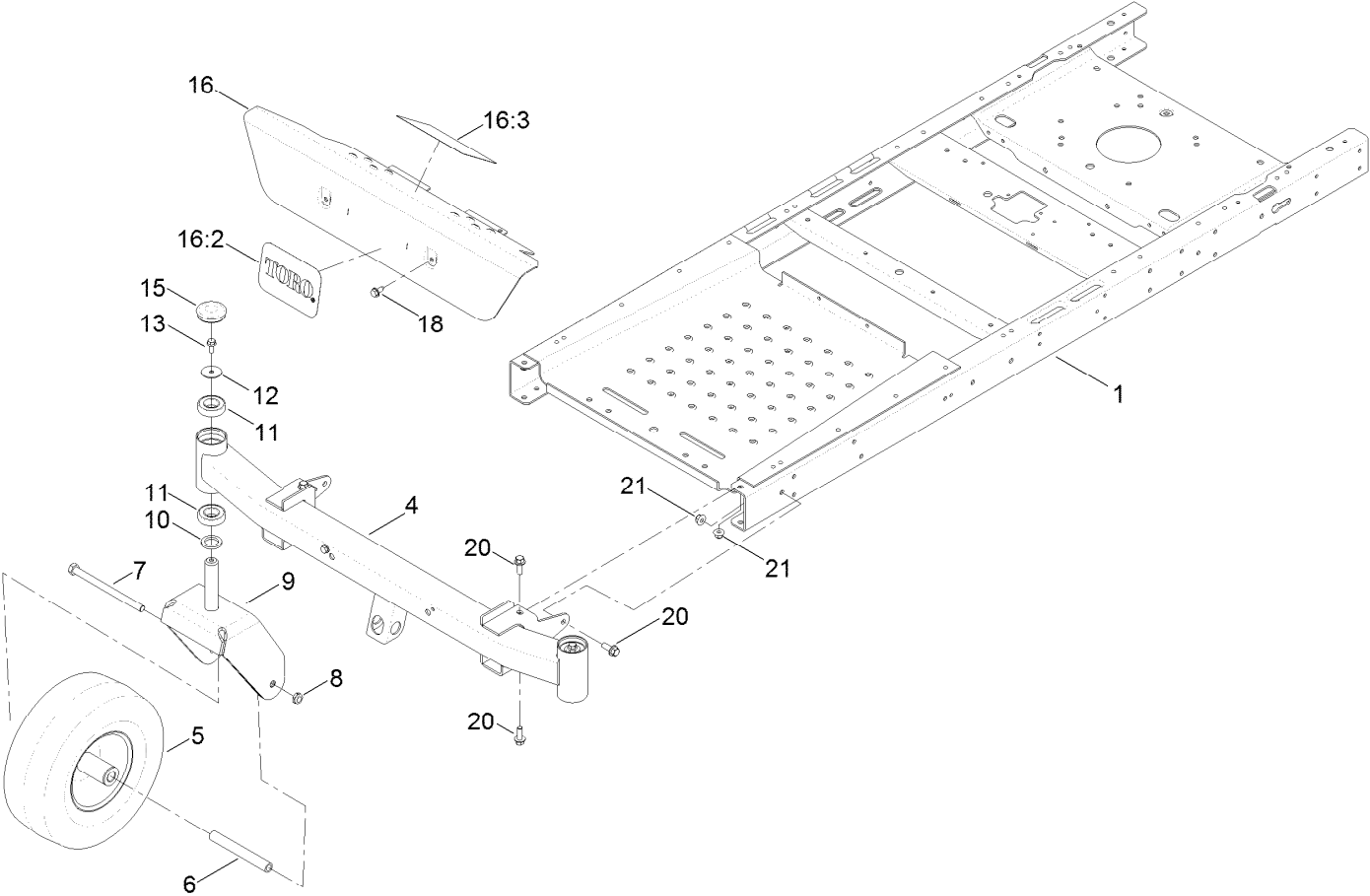
**TAP:** self tapping

**TTH:** torx truss head

# Contents

Frame, Front Axle and Caster Wheel Assembly .....	4
13 Inch Wheel and Tire Assembly No. 119-3473 .....	6
Deck Lift Assembly .....	8
Motion Control Assembly .....	10
Motion Control Lever Assembly .....	12
Seat Assembly .....	14
Belt and Idler Assembly .....	16
Hydro Transaxle Drive and Rear Wheel Assembly .....	18
4 Ply Wheel and Tire Assembly No. 119-8908 .....	20
2 Ply Wheel and Tire Assembly No. 131-3672 .....	22
Left Hand Hydro Transaxle Assembly No. 119-3350 .....	24
Right Hand Hydro Transaxle Assembly No. 119-3351 .....	26
Clutch Assembly .....	28
Engine and Muffler Assembly .....	30
Body Styling and Fuel Pod Assembly .....	32
Fuel Delivery Assembly .....	34
Battery and Electrical Assembly .....	36
Fuse and Wire Harness Assembly .....	38
50 Inch Deck Assembly .....	40
50 Inch Deck Decal Assembly No. 131-3606 .....	42
50 Inch Deck, Belt and Blade Assembly .....	44
Attachments and Accessories .....	46

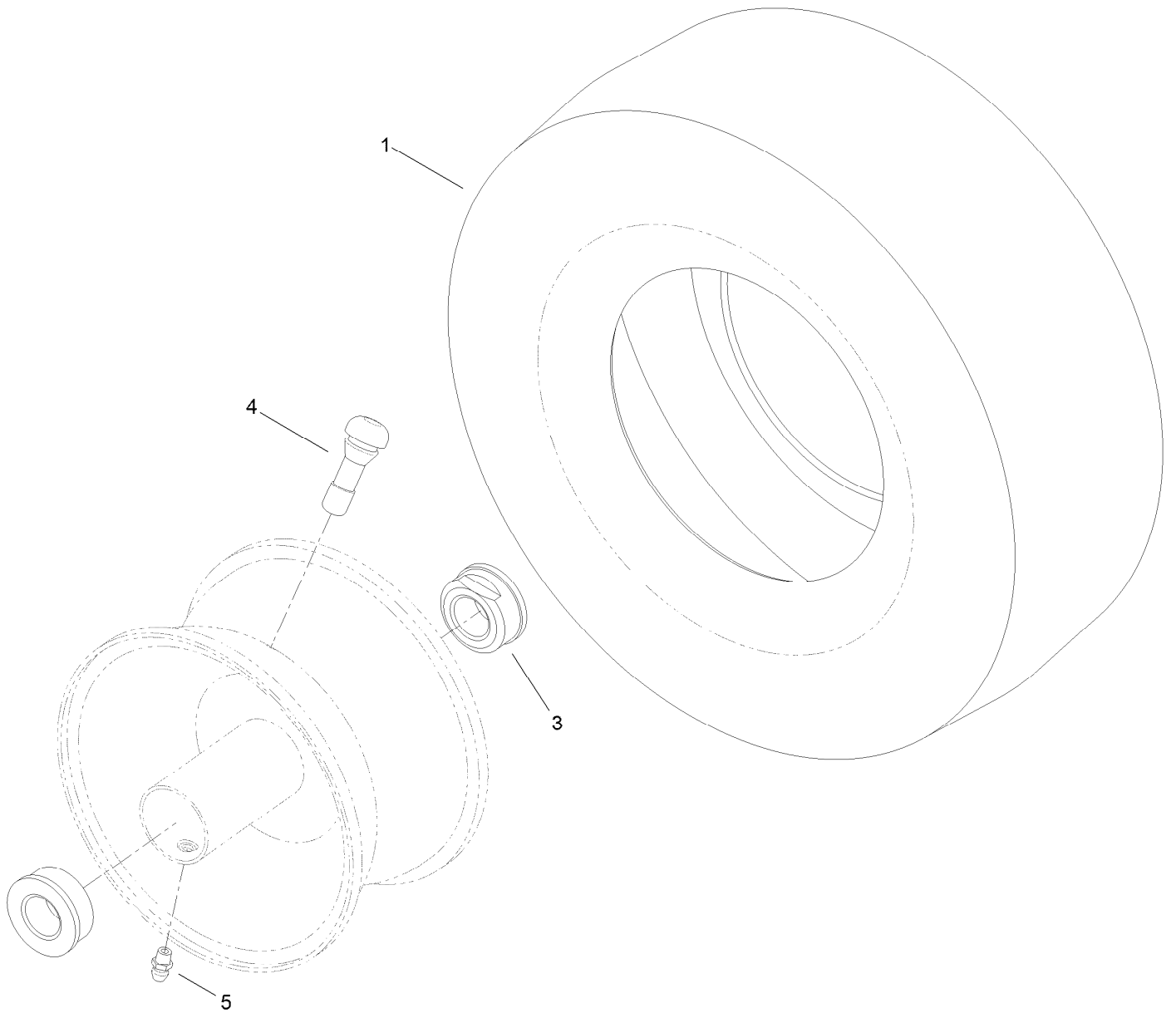
# Frame, Front Axle and Caster Wheel Assembly



## Frame, Front Axle and Caster Wheel Assembly (continued)

<i>Ref.</i>	<i>Part Number</i>	<i>Qty.</i>	<i>Description</i>	<i>Ref.</i>	<i>Part Number</i>	<i>Qty.</i>	<i>Description</i>
1	130-0699-01	1	Frame ASM	12	3256-68	2	Washer-Flat
4	125-1726-01	1	Axle ASM	13	3234-47	2	Screw-HHF
5	119-3473	2	13 Inch Wheel And Tire ASM	15	116-4348	2	Cap-Grease
6	119-3475	2	Spanner	16	132-0892	1	Footrest ASM
7	325-37	2	Screw-HH	16:2	99-4693	1	Decal
8	3296-45	2	Nut-Lock, NI	16:3	132-0869	1	Decal-Danger
9	119-3349-01	2	Fork-Caster	18	32144-70	2	Screw-HWHTF
10	117-7394	2	Washer-Thrust	20	3234-42	6	Screw-HHF
11	109-3678	4	Bearing-Ball	21	104-8301	6	Nut-Flange, NI

# 13 Inch Wheel and Tire Assembly No. 119-3473

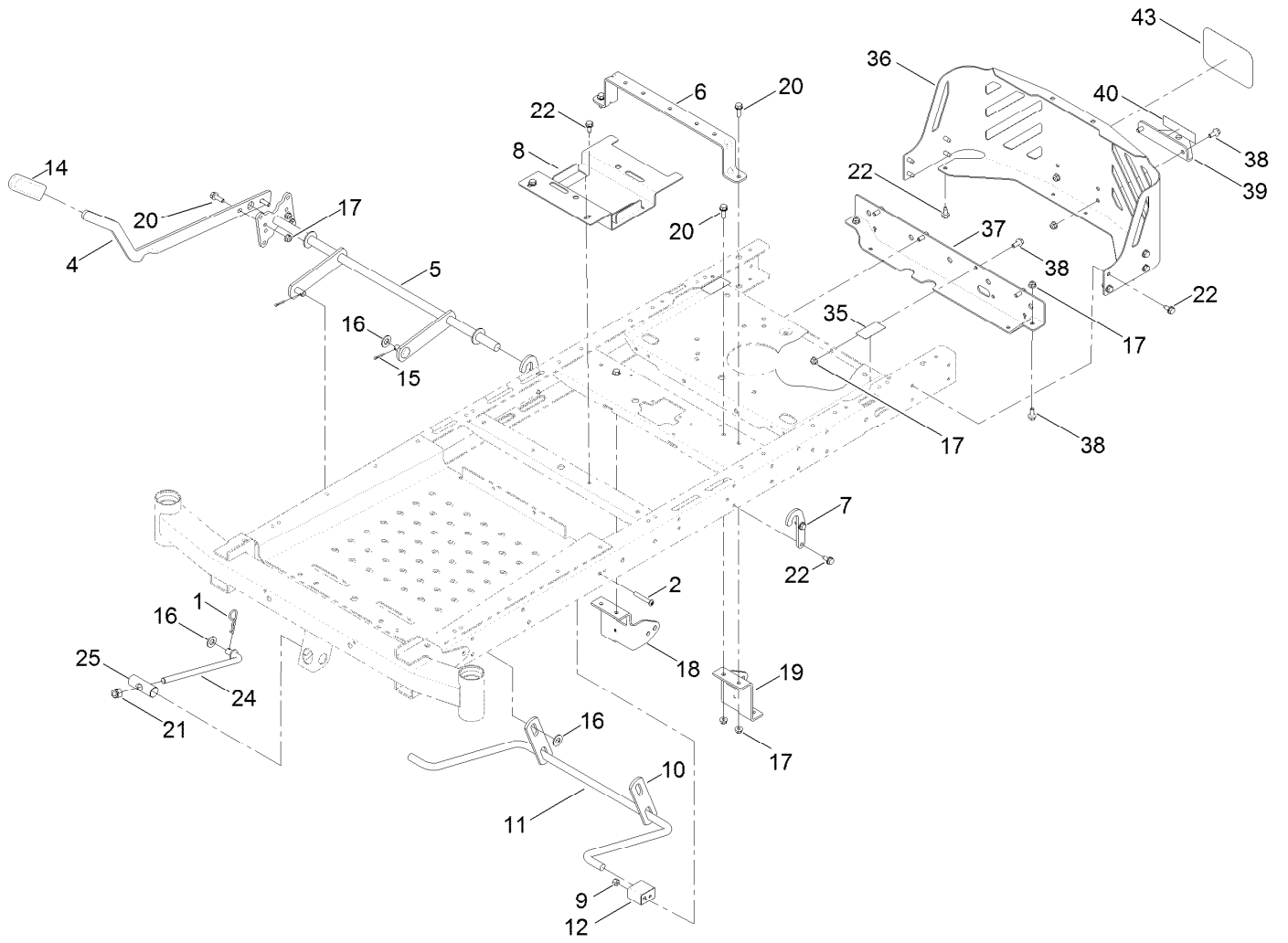


# 13 Inch Wheel and Tire Assembly No. 119-3473 (continued)

<i>Ref.</i>	<i>Part Number</i>	<i>Qty.</i>	<i>Description</i>	<i>Ref.</i>	<i>Part Number</i>	<i>Qty.</i>	<i>Description</i>
1	119-3471	1	Tire-13 Inch	5	302-5	1	Fitting-Grease
3	114-1640	2	Bushing-Flange	99	232-46	1	Tube ●
4	232-27	1	Stem-Valve				

● Not illustrated

# Deck Lift Assembly

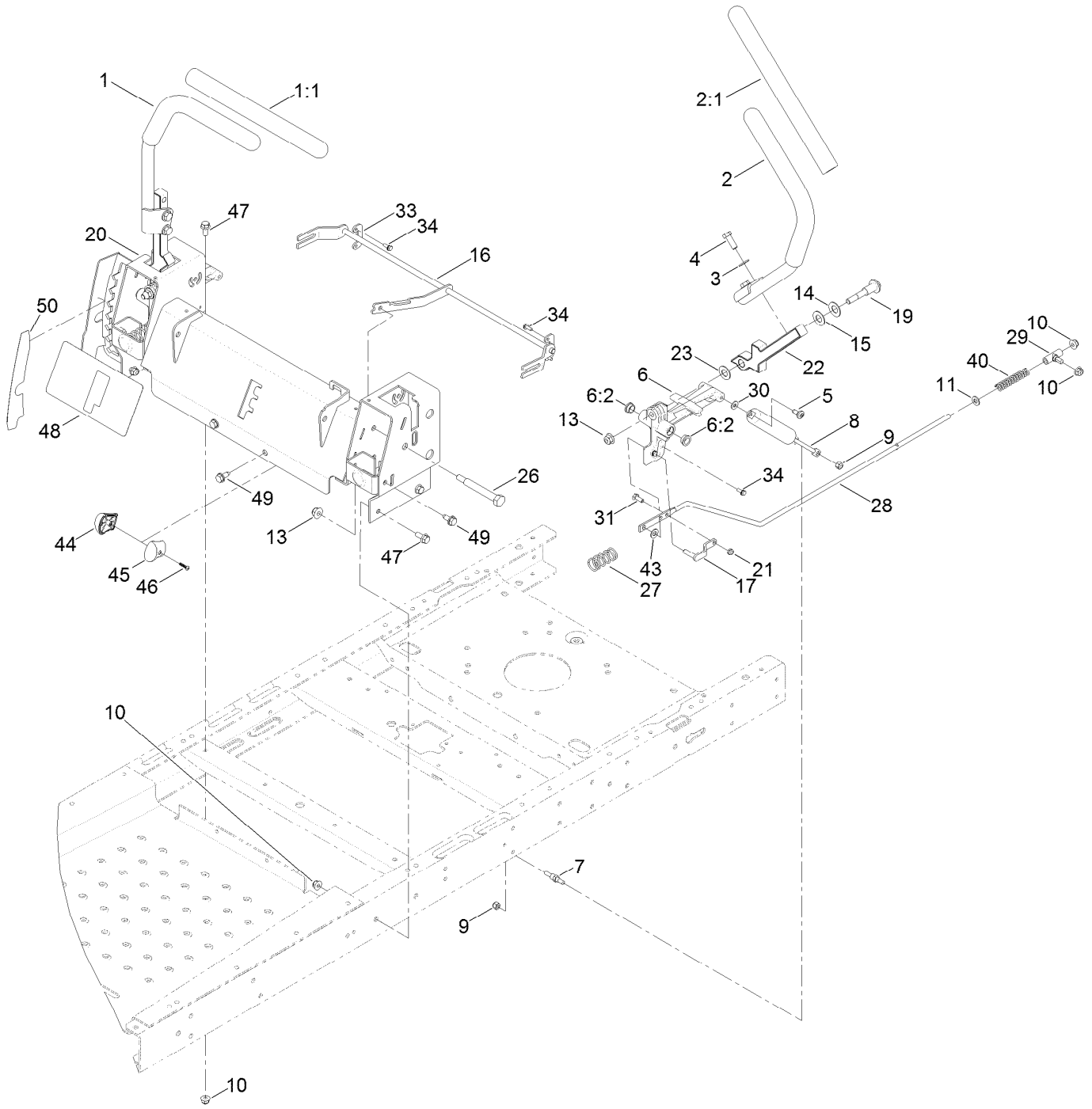




## Deck Lift Assembly (continued)

<i>Ref.</i>	<i>Part Number</i>	<i>Qty.</i>	<i>Description</i>	<i>Ref.</i>	<i>Part Number</i>	<i>Qty.</i>	<i>Description</i>
1	1-806005	1	Pin-Hair	18	131-0901-01	1	Mount-Hydro, Front Right
2	120-5499	2	Screw-HSBH	19	131-0902-01	1	Mount-Hydro, Front Left
4	119-3427-03	1	Lever-Lift	20	3234-29	6	Screw-HHF
5	119-3424-03	1	Lift-Deck	21	3296-19	1	Nut-Hex
6	117-7337-03	1	Brace-Seat, Rear	22	32144-70	16	Screw-HWHTF
7	119-8875	2	Bracket-Lift	24	131-3945	1	Rod - Deck Mount
8	131-0914-03	1	Bracket-Battery	25	119-8810	1	Pin-Pivot
9	3296-29	2	Nut-Lock, NI	35	121-2989	2	Decal-Bypass
10	108-7840	2	Link-Lift	36	130-0701-03	1	Guard-Engine, Wide
11	119-3347	1	Arm-Lift, Rear	37	130-6946-01	1	Crossmember-Rear, Wide
12	108-7845	2	Block-Pivot	38	3234-47	8	Screw-HHF
14	1-633268	1	Grip-Lever	39	117-1232-03	1	Bracket-Hitch
15	3272-10	2	Pin-Cotter	40	131-4036	1	Decal
16	3256-26	3	Washer-Flat	43	99-4693	1	Decal
17	104-8300	14	Nut-Flange, NI				

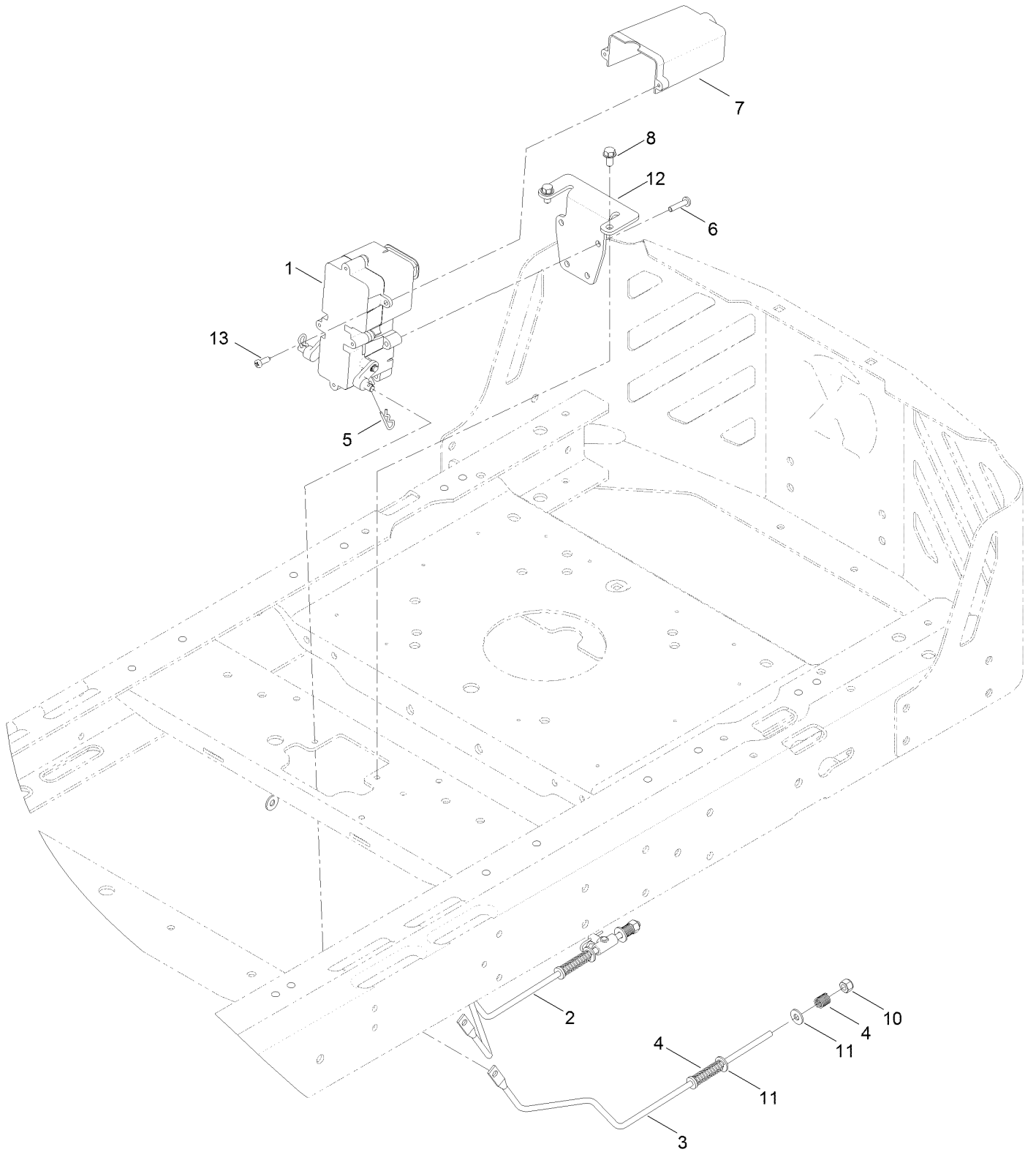
# Motion Control Assembly



## Motion Control Assembly (continued)

<i>Ref.</i>	<i>Part Number</i>	<i>Qty.</i>	<i>Description</i>	<i>Ref.</i>	<i>Part Number</i>	<i>Qty.</i>	<i>Description</i>
1	121-0731	1	Handle-Control, RH	21	3296-56	2	Nut-Lock, NI
1:1	121-0726	1	Grip	22	115-5098-05	2	Lever-Control
2	121-0730	1	Handle-Control, LH	23	120-2273	2	Washer-Nylon
2:1	121-0726	1	Grip	26	115-5099	2	Bolt-Pivot
3	3256-24	4	Washer-Flat	27	119-8876	2	Spring-Return
4	323-6	4	Screw-HH	28	117-5388	2	Rod-Hydro
5	120-7950	2	Screw-Shoulder	29	119-8842	2	Mount-Rod, Hydro
6	119-3470	2	Actuator Arm ASM	30	119-8952	2	Washer
6:2	256-156	2	Bushing-Flange	31	321-3	2	Screw-HH
7	110-6810	2	Stud-Damper	33	117-5385	2	Retainer
8	131-4132	2	Damper	34	32144-1	4	Screw-Taptite
9	3296-42	4	Nut-Lock, NI	40	1-603807	2	Spring-Return, Neutral
10	104-8300	10	Nut-Flange, NI	43	93-6079	2	Spacer-Nylon
11	3256-23	2	Washer-Flat	44	119-8935	1	Knob-RH
13	104-8301	4	Nut-Flange, NI	45	119-8936	1	Knob-LH
14	119-8925	2	Washer-Belleville	46	94-4496	1	Screw-PPH
15	117-1240	2	Washer	47	3234-47	6	Screw-HHF
16	131-1062	1	Speed Control ASM	48	131-3947	1	Decal-Speed Control
17	119-3303	2	Pin-Rod, Hydro	49	32144-70	4	Screw-HWHTF
19	117-1198	2	Bolt-Pivot	50	119-8870	1	Decal-HOC
20	131-1060-03	1	Control Box ASM				

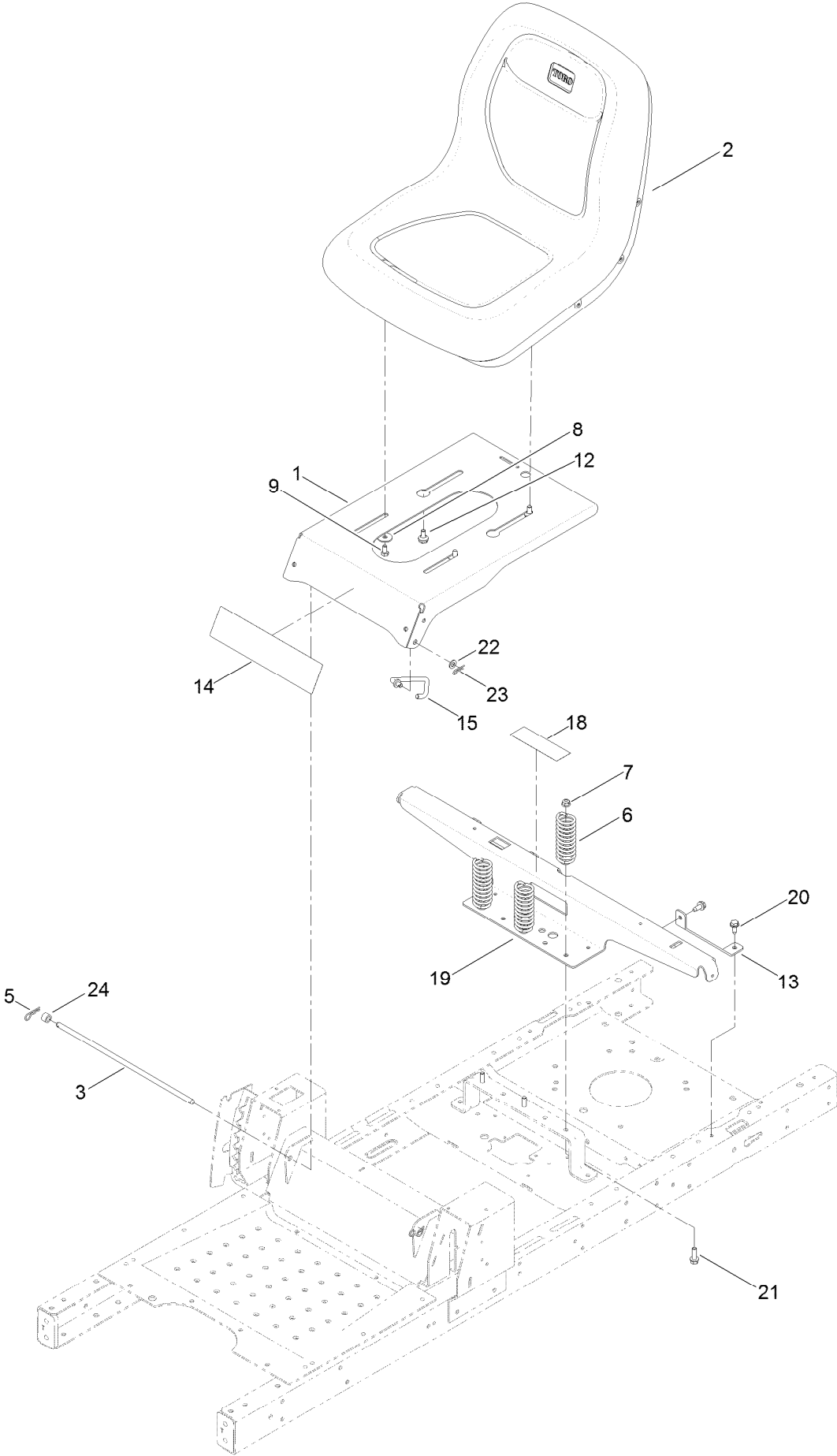
# Motion Control Lever Assembly



## Motion Control Lever Assembly (continued)

<i>Ref.</i>	<i>Part Number</i>	<i>Qty.</i>	<i>Description</i>	<i>Ref.</i>	<i>Part Number</i>	<i>Qty.</i>	<i>Description</i>
1	130-6892	1	Brake Box ASM	7	130-6974	1	Cover-Connector
2	121-2976	1	Rod-Brake, Wide (RH)	8	32144-4	2	Screw-HWH
3	121-2977	1	Rod-Brake, Wide (LH)	10	3296-42	2	Nut-Lock, NI
4	117-1169	4	Spring-Compression	11	119-8952	6	Washer
5	3290-307	2	Pin-Hair	12	130-0790-03	1	Bracket-Brake Mount
6	32144-36	4	Screw-PPH	13	94-4496	2	Screw-PPH

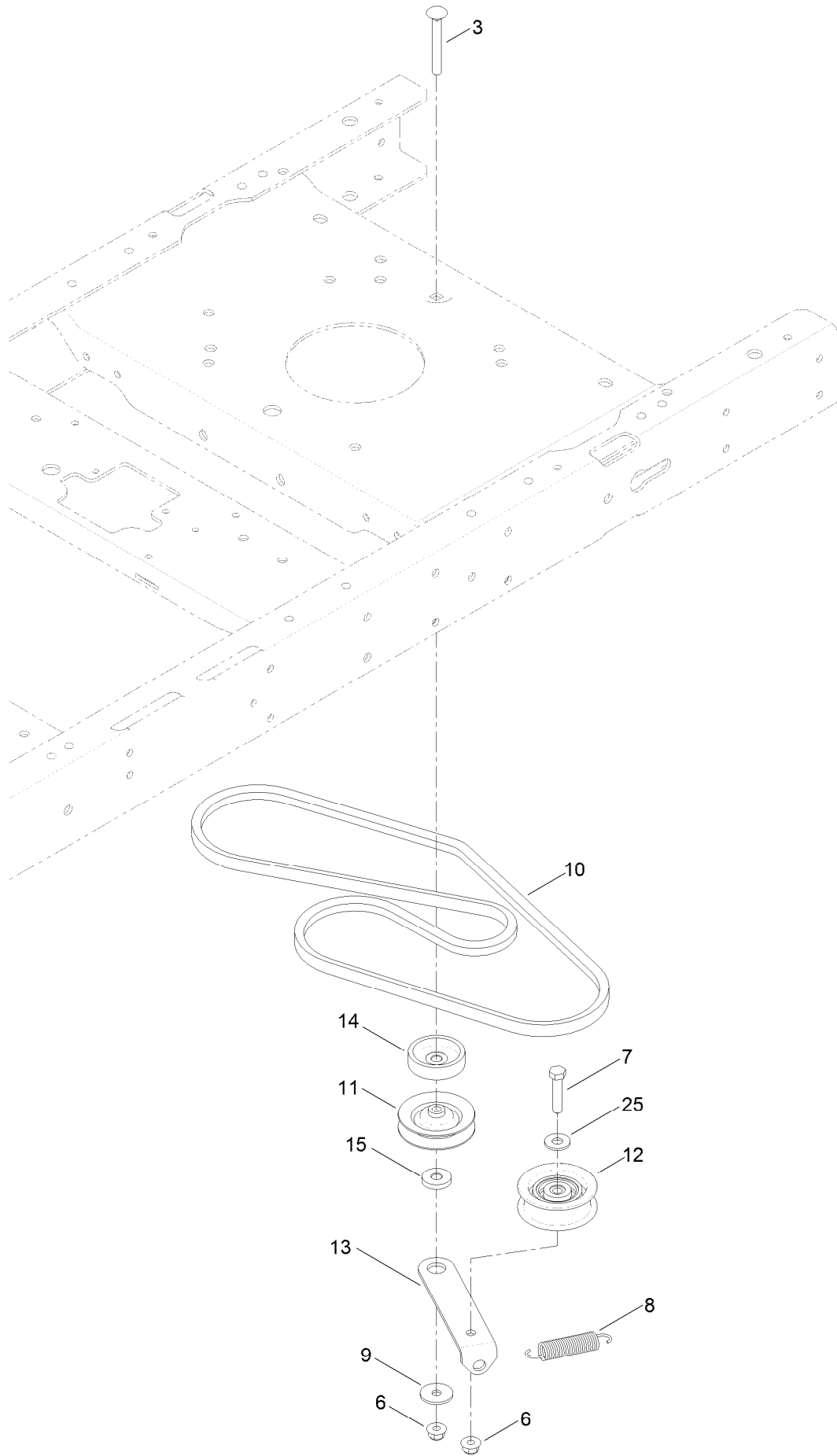
# Seat Assembly



## Seat Assembly (continued)

<i>Ref.</i>	<i>Part Number</i>	<i>Qty.</i>	<i>Description</i>	<i>Ref.</i>	<i>Part Number</i>	<i>Qty.</i>	<i>Description</i>
1	119-3391-01	1	Pan-Seat	14	119-8903	1	Decal-Timecutter
2	119-8829	1	Seat-18 Inch	15	119-8972	1	Stop-Seat
3	115-4966	1	Rod-Stop	18	106-8717	1	Decal-Service
5	3290-250	2	Pin-Hair	19	131-1039-03	1	Support-Pod, Wide
6	92-7054	3	Spring-Compression	20	32144-70	4	Screw-HWHTF
7	104-8300	3	Nut-Flange, NI	21	3234-29	3	Screw-HHF
8	5-4460	2	Washer-Pivot	22	3256-23	1	Washer-Flat
9	322-2	2	Screw-HH	23	3290-307	1	Pin-Hair
12	37-8771	2	Bolt-Shoulder	24	1-413088	2	Bushing-Lever, Lift
13	119-3431-03	2	Support-Tank, Rear				

# Belt and Idler Assembly

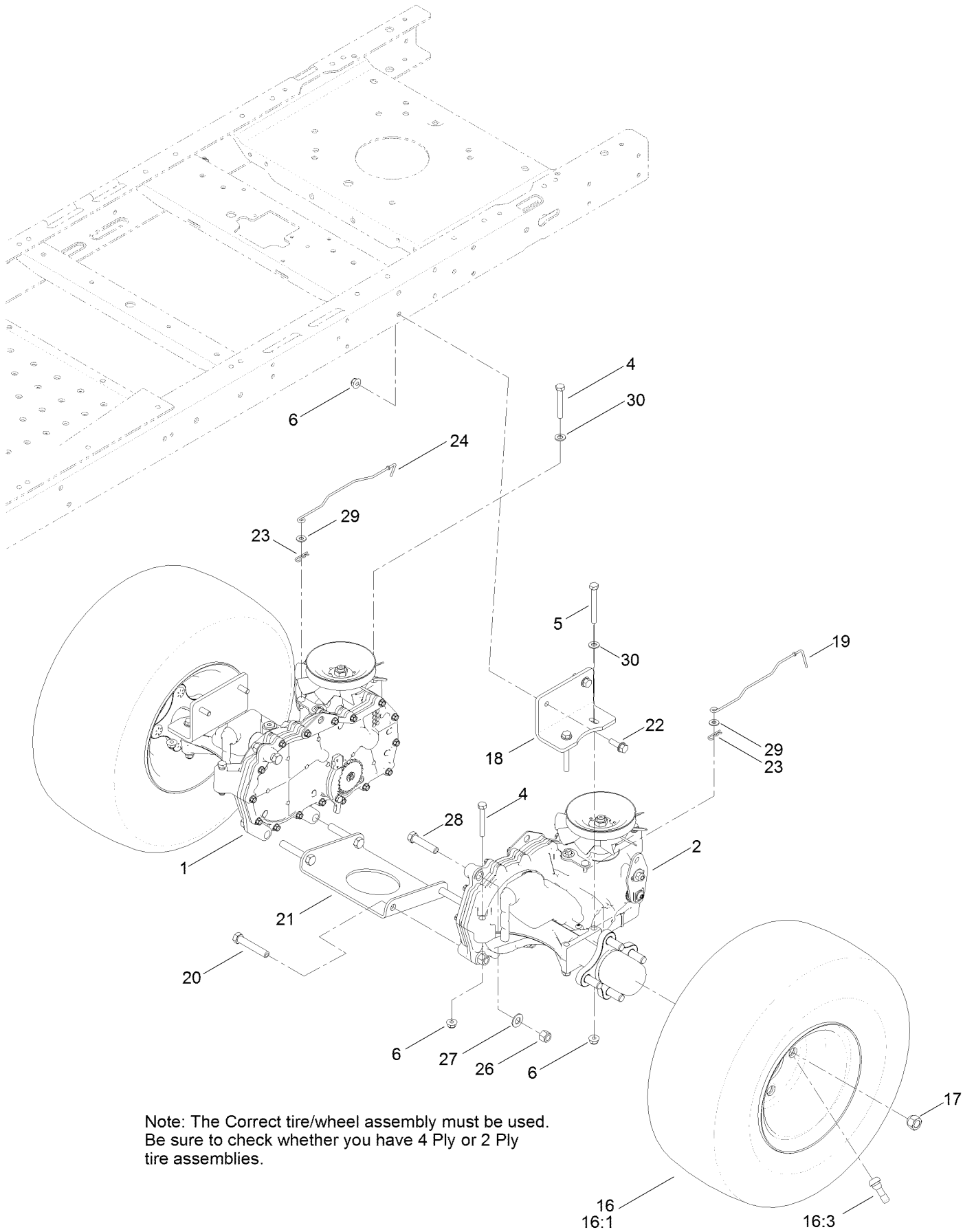




## Belt and Idler Assembly (continued)

<i>Ref.</i>	<i>Part Number</i>	<i>Qty.</i>	<i>Description</i>	<i>Ref.</i>	<i>Part Number</i>	<i>Qty.</i>	<i>Description</i>
3	3230-8	1	Screw-CARR	11	119-8822	1	Pulley-Idler
6	104-8300	2	Nut-Flange, NI	12	106-2176	1	Pulley-Idler
7	322-7	1	Screw-HH	13	119-3326	1	Arm-Idler
8	104-6415	1	Spring-Return, Pedal	14	119-3353	1	Spacer
9	5-4460	1	Washer-Pivot	15	119-3327	1	Spacer-Arm, Idler
10	130-6976	1	V-Belt	25	3256-3	1	Washer-Flat

# Hydro Transaxle Drive and Rear Wheel Assembly



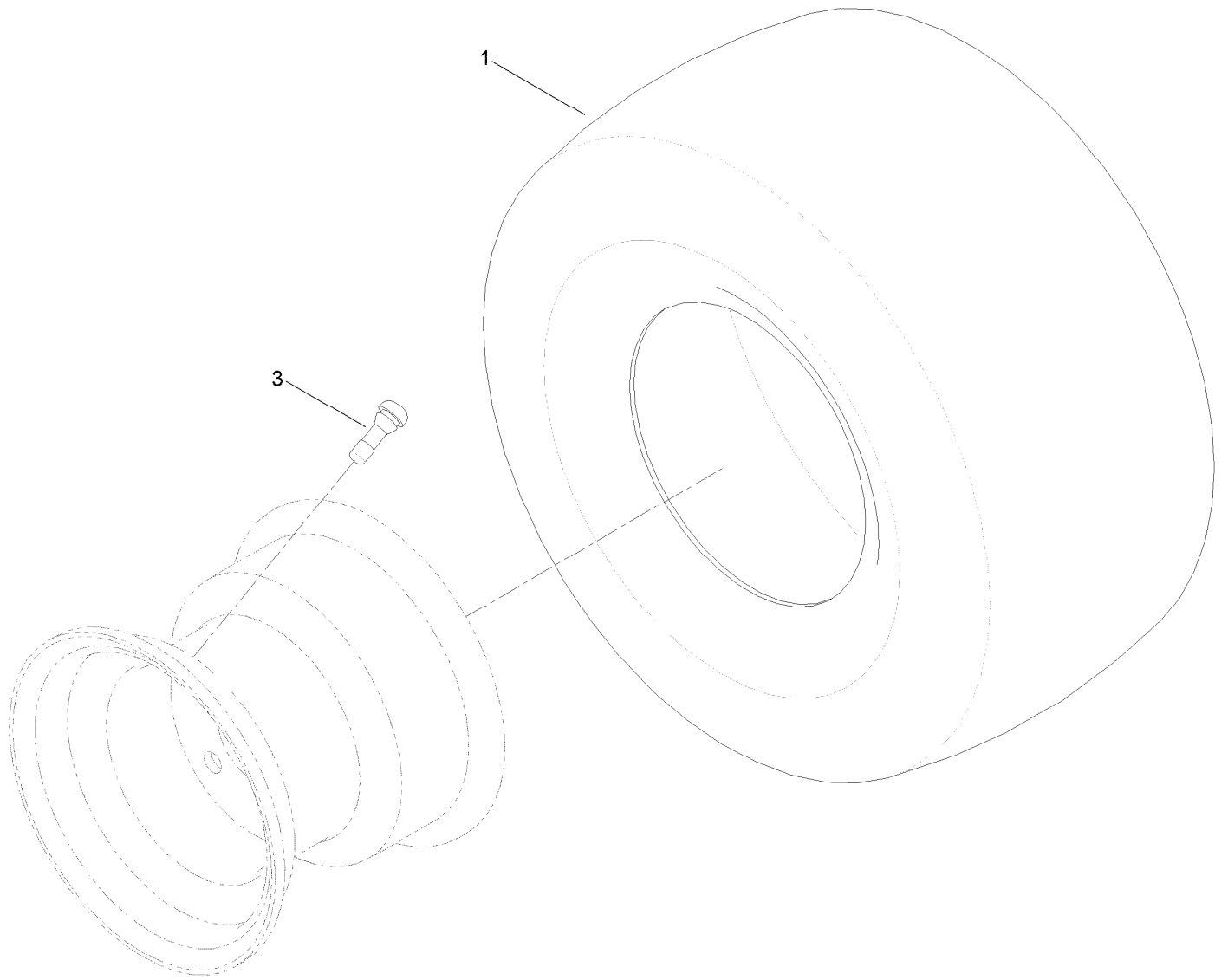
Note: The Correct tire/wheel assembly must be used. Be sure to check whether you have 4 Ply or 2 Ply tire assemblies.

# Hydro Transaxle Drive and Rear Wheel Assembly (continued)

<i>Ref.</i>	<i>Part Number</i>	<i>Qty.</i>	<i>Description</i>	<i>Ref.</i>	<i>Part Number</i>	<i>Qty.</i>	<i>Description</i>
1	119-3351	1	RH Hydro Transaxle ASM	17	242-50	8	Nut-Lug
2	119-3350	1	LH Hydro Transaxle ASM	18	117-7264-03	2	Mount-Hydro
4	322-11	4	Screw-HH	19	131-0900	1	Rod-Bypass, LH
5	322-13	4	Screw-HH	20	324-10	4	Screw-HH
6	104-8300	12	Nut-Flange, NI	21	119-3342-03	1	Cross Plate-Hydro
16	119-8908	2	4 Ply Wheel And Tire ASM	22	3234-29	4	Screw-HHF
16:1	119-8909	1	Tire-4 Ply	23	3290-307	2	Pin-Hair
16:3	232-27	1	Stem-Valve	24	130-7049	1	Rod-Bypass, RH
16:99	232-37	1	Tube ●	26	3296-48	6	Nut-Lock, NI
16	131-3672	1	2 Ply Wheel And Tire ASM	27	3256-25	6	Washer-Flat
16:1	131-3679	1	Tire-2 Ply	28	324-8	2	Screw-HH
16:3	232-27	1	Stem-Valve	29	119-8952	2	Washer
16:99	232-37	1	Tube ●	30	3256-23	6	Washer-Flat

● Not illustrated

# 4 Ply Wheel and Tire Assembly No. 119-8908

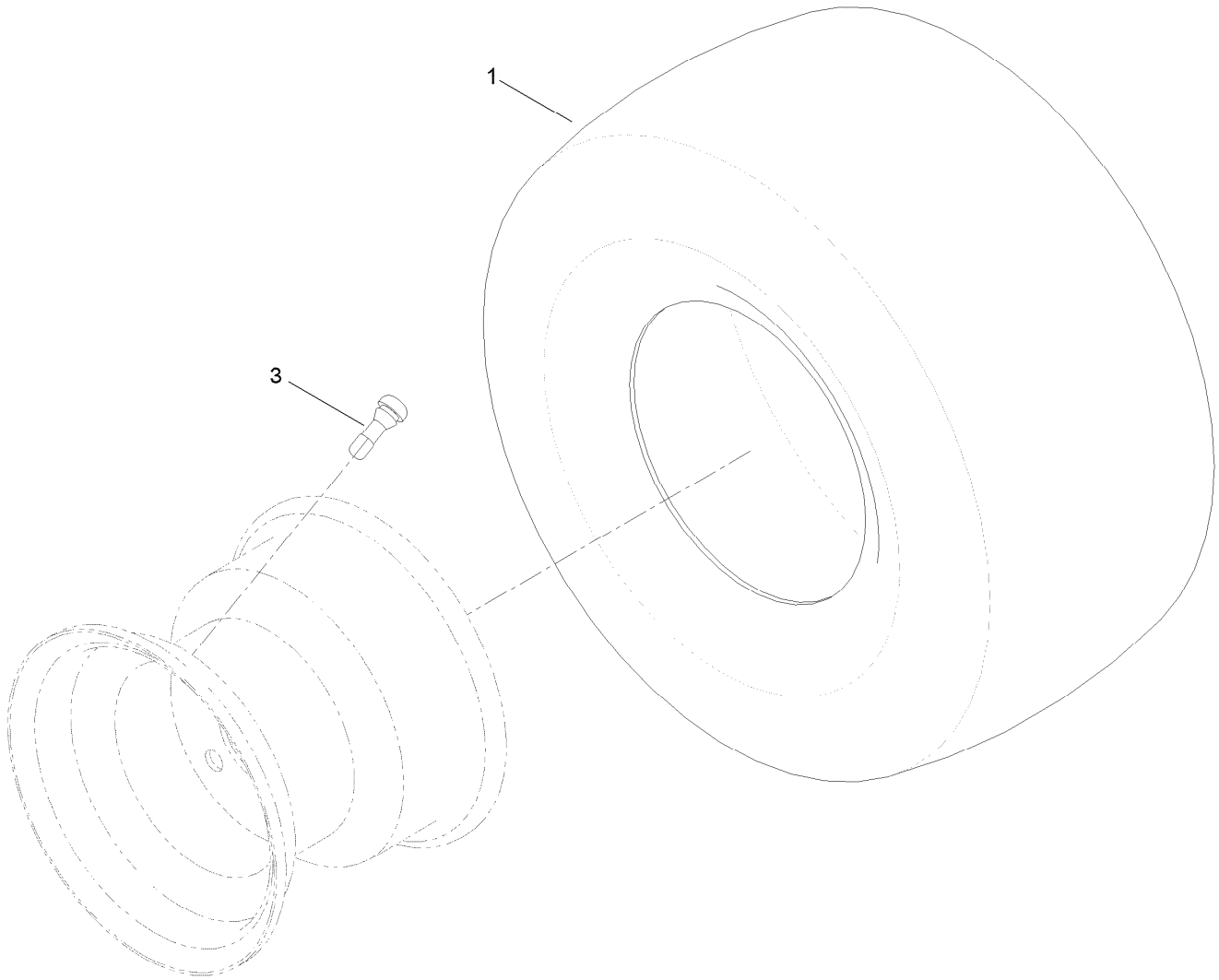


## 4 Ply Wheel and Tire Assembly No. 119-8908 (continued)

<i>Ref.</i>	<i>Part Number</i>	<i>Qty.</i>	<i>Description</i>
1	119-8909	1	Tire-4 Ply
3	232-27	1	Stem-Valve
99	232-37	1	Tube ●

● Not illustrated

# 2 Ply Wheel and Tire Assembly No. 131-3672



## 2 Ply Wheel and Tire Assembly No. 131-3672 (continued)

<i>Ref.</i>	<i>Part Number</i>	<i>Qty.</i>	<i>Description</i>
1	131-3679	1	Tire-2 Ply
3	232-27	1	Stem-Valve
99	232-37	1	Tube ●

● Not illustrated



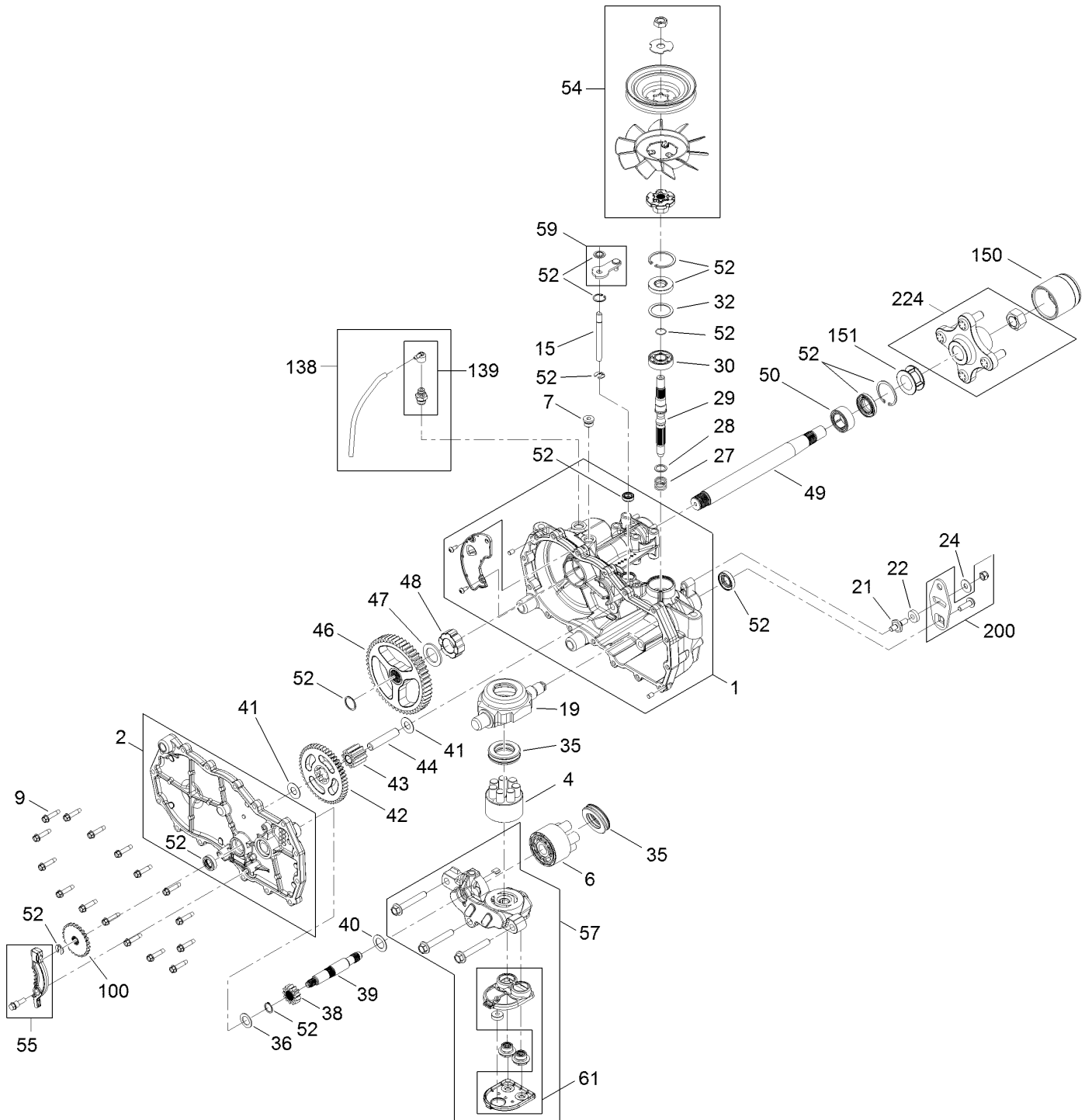


# Left Hand Hydro Transaxle Assembly No. 119-3350 (continued)

<i>Ref.</i>	<i>Part Number</i>	<i>Qty.</i>	<i>Description</i>	<i>Ref.</i>	<i>Part Number</i>	<i>Qty.</i>	<i>Description</i>
1	106-8695	1	Main Housing ASM	42	104-5317	1	Gear-10T/48T
2	106-8696	1	Side ASM	43	104-5318	1	Gear-Jackshaft, 10T
4	110-8561	1	Pump Block ASM	44	104-5329	1	Pin-Jackshaft
6	103-2666	1	Cylinder Block Kit	46	112-9855	1	Gear-52T, Bull
7	104-2189	1	Plug-Thread, Straight	47	112-9856	1	Washer
9	104-5305	16	Screw-HHF	48	112-9857	1	Bearing-Sleeve
15	106-8678	1	Rod-Bypass	49	120-7104	1	Shaft-Axle
19	104-5304	1	Swashplate-Trunnion	50	112-9859	1	Bushing-Axle
21	104-2116	1	Stud	52	106-8686	1	Seal Kit ●
22	112-9853	1	Puck-Friction	54	121-5746	1	Fan Pulley Kit
24	114-8491	1	Washer	55	106-8688	1	Brake Arm Kit
27	120-5537	1	Spring-Compression	57	112-9861	1	Center Section Filter Kit
28	120-5538	1	Washer	58	104-2147	1	Sealant ●
29	104-5306	1	Shaft-Input	59	120-5549	1	Bypass Kit
30	104-5311	1	Bearing-Ball	61	114-1634	1	Filter Kit
32	104-5308	1	Spacer	100	106-8694	1	Disc-Brake, Cog
35	94-6922	2	Bearing-Thrust	138	112-9866	1	Breather Kit
36	104-5339	1	Washer-Flat	139	114-1635	1	Breather ASM
38	104-5316	1	Gear-Pinion, 13T	150	115-5057	1	Cover-Nut, Axle
39	106-8683	1	Shaft-Motor	151	120-7109	1	Tube-Axle
40	104-5360	1	Washer	200	117-5362	1	Arm Control Kit
41	119-5541	2	Washer	224	109-5939	1	Hub Kit

● Not illustrated

# Right Hand Hydro Transaxle Assembly No. 119-3351

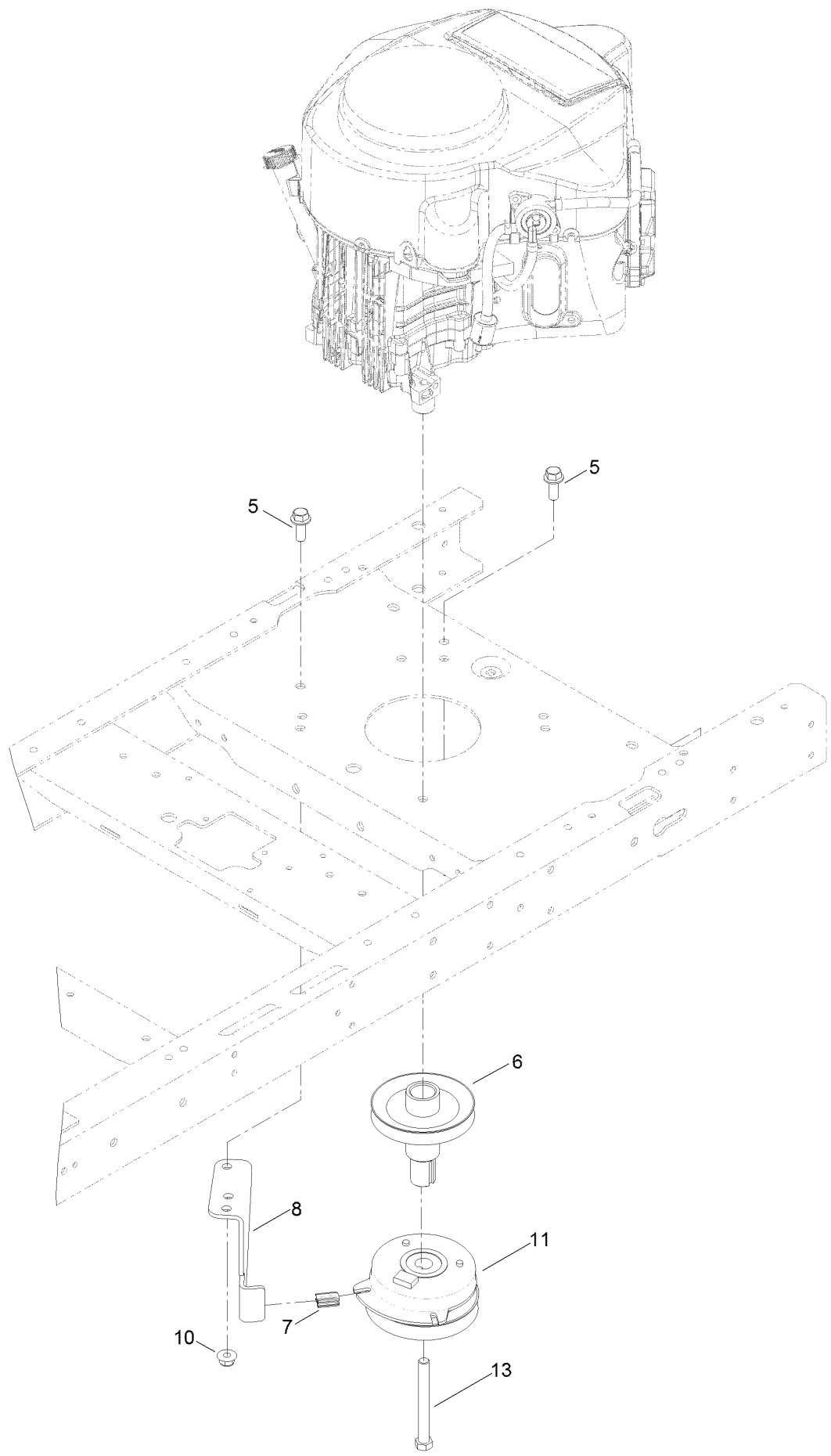


# Right Hand Hydro Transaxle Assembly No. 119-3351 (continued)

<i>Ref.</i>	<i>Part Number</i>	<i>Qty.</i>	<i>Description</i>	<i>Ref.</i>	<i>Part Number</i>	<i>Qty.</i>	<i>Description</i>
1	106-8674	1	Main Housing ASM	42	104-5317	1	Gear-10T/48T
2	106-8675	1	Side ASM	43	104-5318	1	Gear-Jackshaft, 10T
4	110-8561	1	Pump Block ASM	44	104-5329	1	Pin-Jackshaft
6	103-2666	1	Cylinder Block Kit	46	112-9855	1	Gear-52T, Bull
7	104-2189	1	Plug-Thread, Straight	47	112-9856	1	Washer
9	104-5305	16	Screw-HHF	48	112-9857	1	Bearing-Sleeve
15	106-8678	1	Rod-Bypass	49	120-7104	1	Shaft-Axle
19	104-5304	1	Swashplate-Trunnion	50	112-9859	1	Bushing-Axle
21	104-2116	1	Stud	52	106-8686	1	Seal Kit ●
22	112-9853	1	Puck-Friction	54	121-5746	1	Fan Pulley Kit
24	114-8491	1	Washer	55	106-8688	1	Brake Arm Kit
27	120-5537	1	Spring-Compression	57	112-9862	1	Center Section Filter Kit
28	120-5538	1	Washer	58	104-2147	1	Sealant ●
29	104-5306	1	Shaft-Input	59	107-2489	1	Bypass Arm Kit
30	104-5311	1	Bearing-Ball	61	114-1634	1	Filter Kit
32	104-5308	1	Spacer	100	106-8694	1	Disc-Brake, Cog
35	94-6922	2	Bearing-Thrust	138	112-9866	1	Breather Kit
36	104-5339	1	Washer-Flat	139	114-1635	1	Breather ASM
38	104-5316	1	Gear-Pinion, 13T	150	115-5057	1	Cover-Nut, Axle
39	106-8683	1	Shaft-Motor	151	120-7109	1	Tube-Axle
40	104-5360	1	Washer	200	117-5362	1	Arm Control Kit
41	119-5541	2	Washer	224	109-5939	1	Hub Kit

● Not illustrated

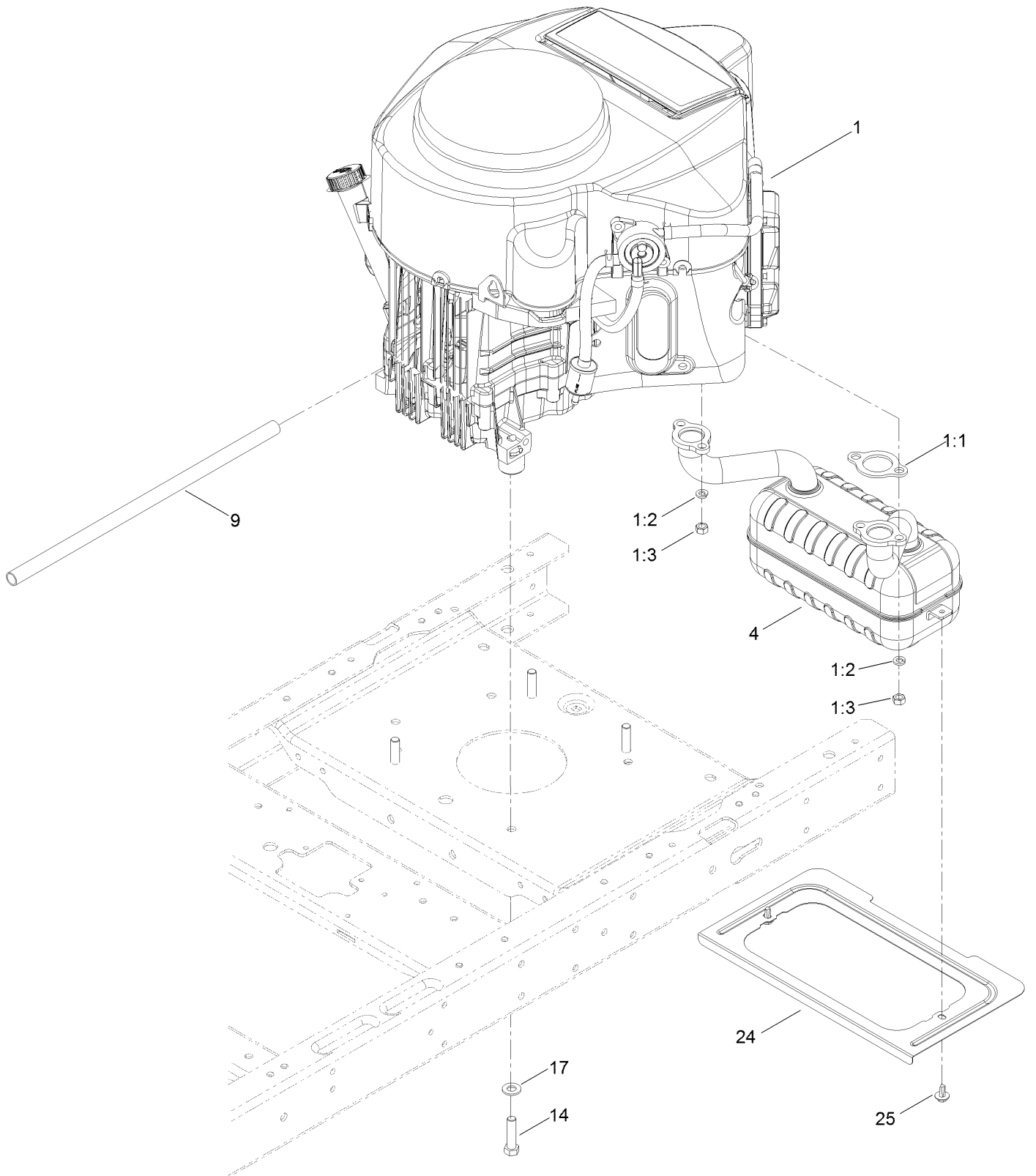
# Clutch Assembly



## Clutch Assembly (continued)

<i>Ref.</i>	<i>Part Number</i>	<i>Qty.</i>	<i>Description</i>	<i>Ref.</i>	<i>Part Number</i>	<i>Qty.</i>	<i>Description</i>
5	3234-42	1	Screw-HHF	10	104-8301	1	Nut-Flange, NI
6	130-6854	1	Pulley-Engine	11	127-3408	1	Clutch-PTO
7	120-2217	1	Isolator-Clutch	13	3212-17	1	Screw-HH
8	119-8885	1	Stop-Clutch				

# Engine and Muffler Assembly



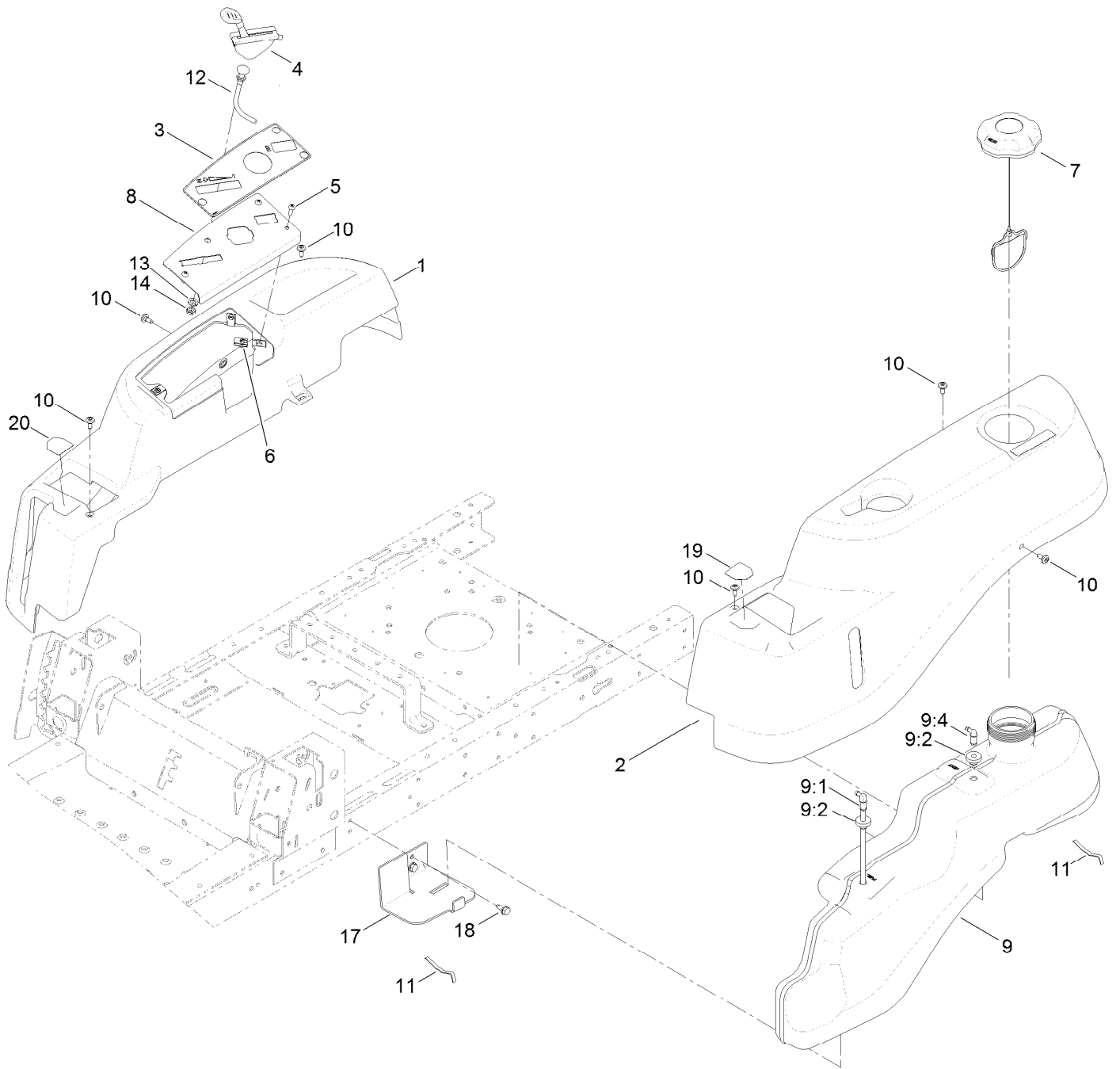
## Engine and Muffler Assembly (continued)

<i>Ref.</i>	<i>Part Number</i>	<i>Qty.</i>	<i>Description</i>	<i>Ref.</i>	<i>Part Number</i>	<i>Qty.</i>	<i>Description</i>
1		1	Engine-Kawasaki, Fr691V- s07-R ●■	9	106-7022	1	Tube-Drain, Oil
1:1	1-653313	2	Gasket-Exhaust	14	323-50	4	Bolt-HH
1:2	114-3549	4	Nut	17	3256-24	3	Washer-Flat
1:3	114-3550	4	Washer-Lock, Spring	24	131-1071-03	1	Shield-Heat
4	117-7256	1	Muffler-Kawasaki	25	46-8560	2	Screw-HHFTF

● Not serviced separately

■ Obtain parts from [www.kawpowerepc.com](http://www.kawpowerepc.com)

# Body Styling and Fuel Pod Assembly

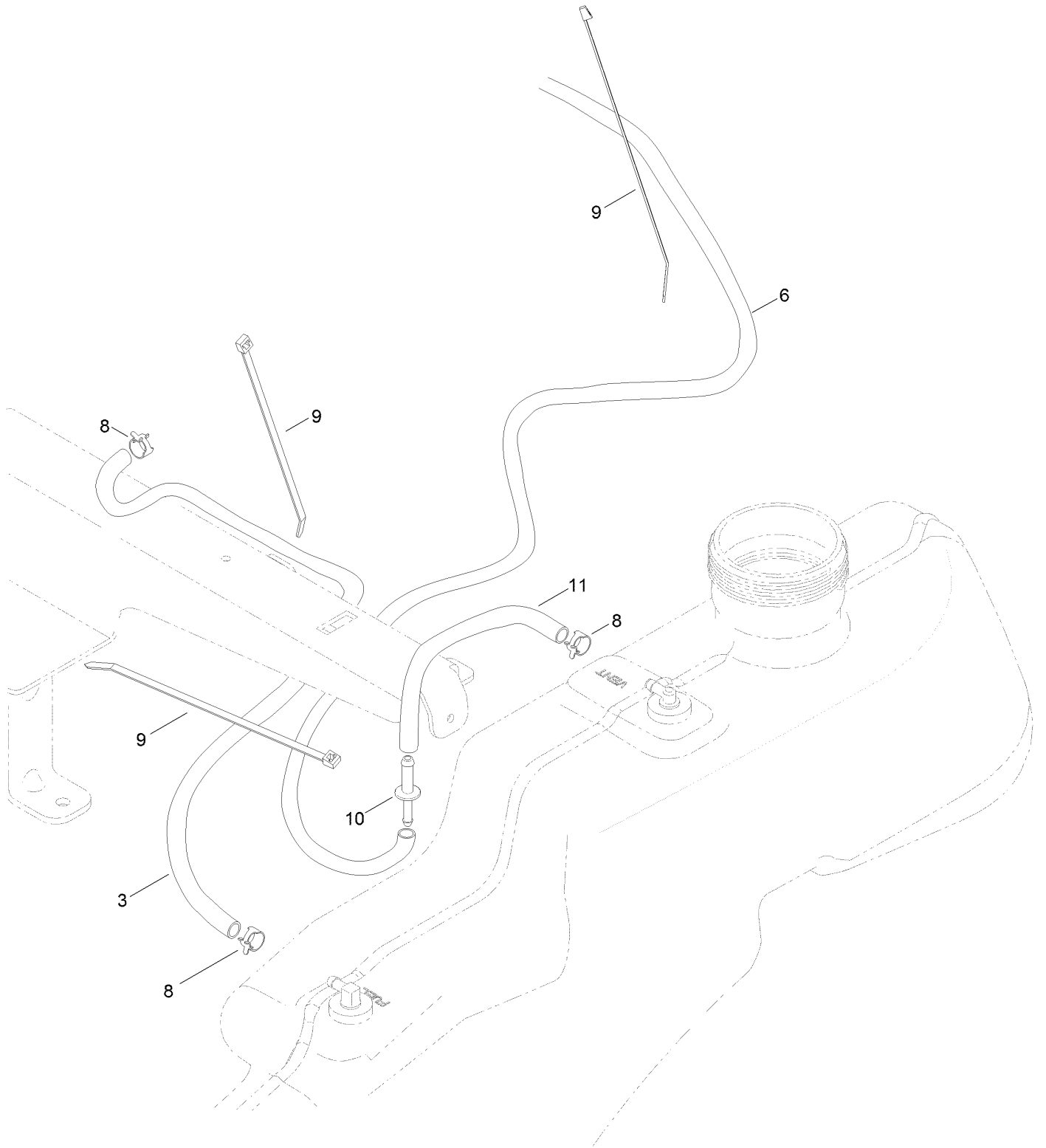




## Body Styling and Fuel Pod Assembly (continued)

<i>Ref.</i>	<i>Part Number</i>	<i>Qty.</i>	<i>Description</i>	<i>Ref.</i>	<i>Part Number</i>	<i>Qty.</i>	<i>Description</i>
1	119-3338	1	Pod-RH	9:4	117-7400	1	Fitting-Plastic
2	119-3337	1	Pod-LH	10	120-7950	6	Screw-Shoulder
3	121-0773	1	Decal-Panel, Control	11	609830	2	Spring
4	121-0769	1	Cable-Throttle	12	112-9753	1	Cable-Choke
5	3258-166	3	Screw-PRH	13	3253-21	1	Washer-Lock
6	107069	3	Clip	14	3220-3	1	Nut-HJ
7	120-5461	1	Cap-Fuel, Ratcheting	17	119-3395-03	1	Support-Tank, Front
8	119-3377-03	1	Plate-Control	18	32144-70	2	Screw-HWHTF
9	119-3324	1	Fuel Tank ASM	19	119-8814	1	Decal-Control Lever, LH
9:1	121-0793	1	Connector-Elbow, 90 DEG	20	119-8815	1	Decal-Control Lever, RH
9:2	46-6560	2	Bushing				

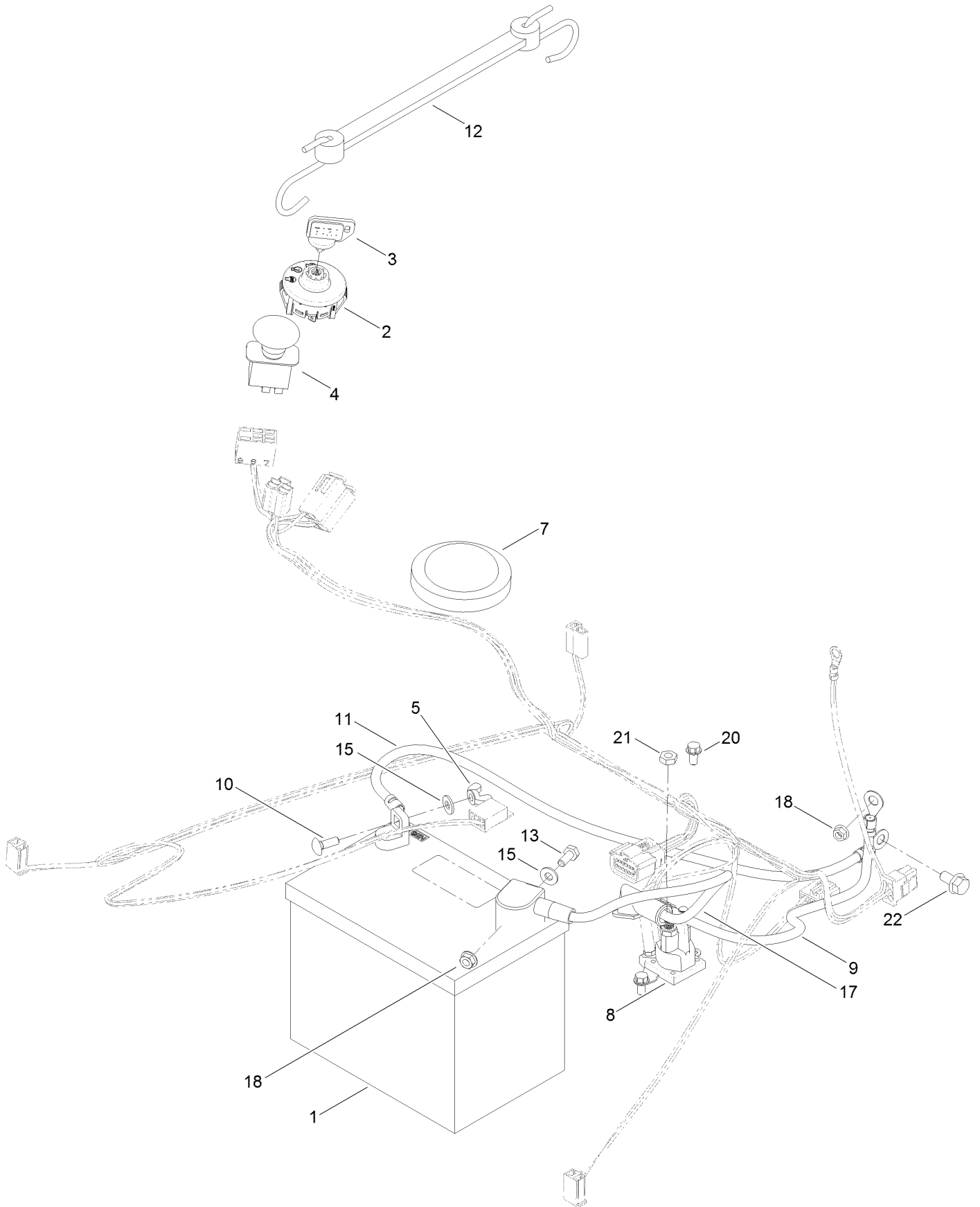
# Fuel Delivery Assembly



## Fuel Delivery Assembly (continued)

<i>Ref.</i>	<i>Part Number</i>	<i>Qty.</i>	<i>Description</i>	<i>Ref.</i>	<i>Part Number</i>	<i>Qty.</i>	<i>Description</i>
3	109-0301	1	Hose-Fuel	9	614249	3	Tie-Cable
6	51-3212	1	Hose-Fuel	10	117-5399	1	Adaptor-Orifice
8	2412-98	3	Clamp-Hose	11	110-1876	1	Hose-Fuel

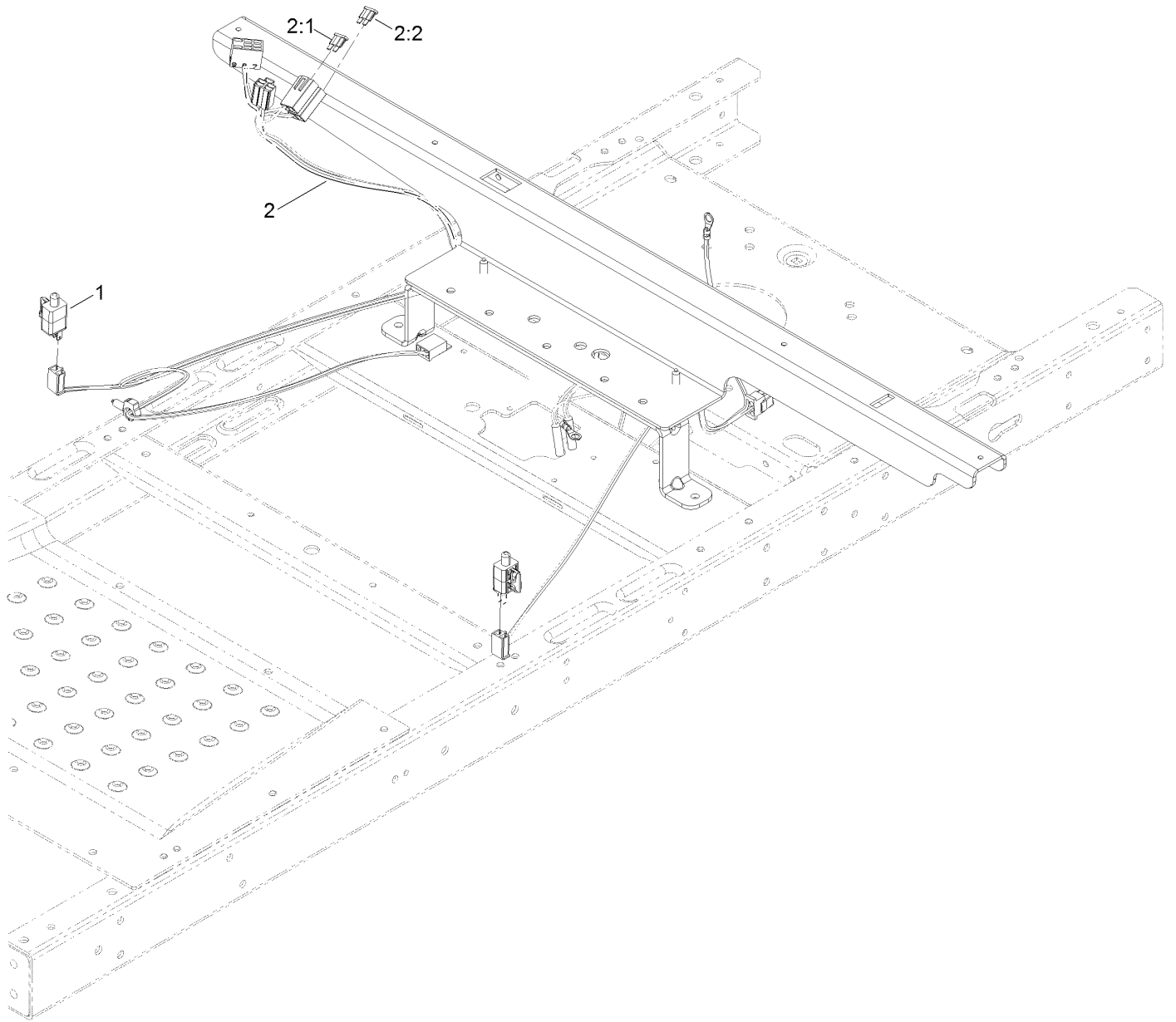
# Battery and Electrical Assembly



## Battery and Electrical Assembly (continued)

<i>Ref.</i>	<i>Part Number</i>	<i>Qty.</i>	<i>Description</i>	<i>Ref.</i>	<i>Part Number</i>	<i>Qty.</i>	<i>Description</i>
1	105-1692	1	Battery-Dry	11	119-8899	1	Cable-Battery, Black
2	117-2221	1	Switch-Ignition	12	104-2466	1	Holddown-Battery
3	63-8360	1	Key-Ignition	13	321-3	1	Screw-HH
4	103-5221	1	Switch-PTO	15	3256-22	2	Washer-Flat
5	32103-22	1	Nut-Wing	17	119-8897	1	Cable-Battery, Red
7	100-3524	1	Switch-Seat	18	32128-33	2	Nut-HF
8	117-1197	1	Solenoid	20	32144-4	2	Screw-HWH
9	119-8898	1	Cable-Battery, Red	21	3220-2	2	Nut-Jam
10	3229-1	1	Bolt-CARR	22	33104-016	1	Screw-HHF

# Fuse and Wire Harness Assembly

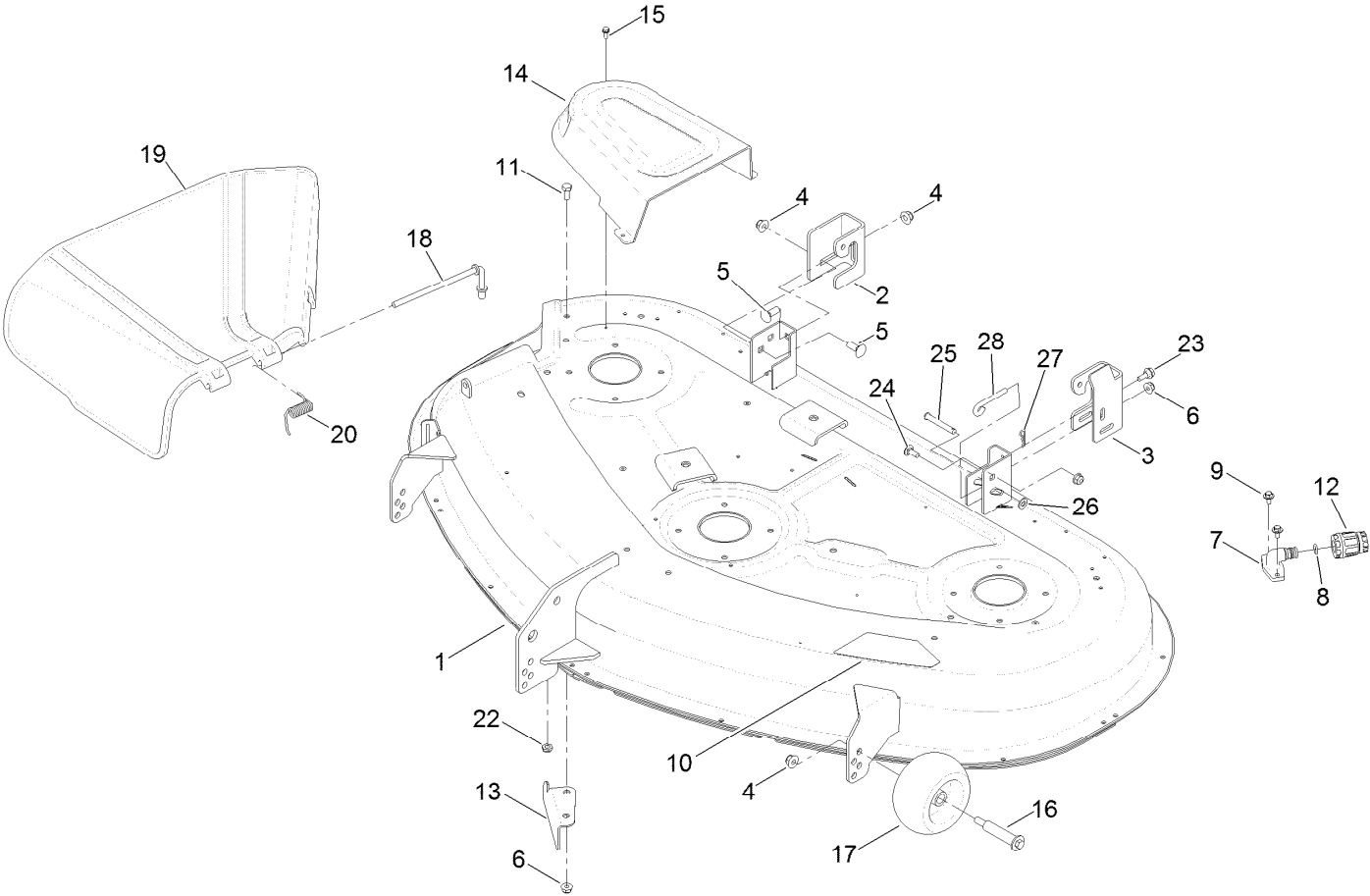


## Fuse and Wire Harness Assembly (continued)

<i>Ref.</i>	<i>Part Number</i>	<i>Qty.</i>	<i>Description</i>
1	110-6765	2	Switch
2	130-7013	1	Harness-Wire

<i>Ref.</i>	<i>Part Number</i>	<i>Qty.</i>	<i>Description</i>
2:1	109103	1	Fuse-Blade, 30 Amp
2:2	109102	1	Fuse-Blade, 25 Amp

# 50 Inch Deck Assembly

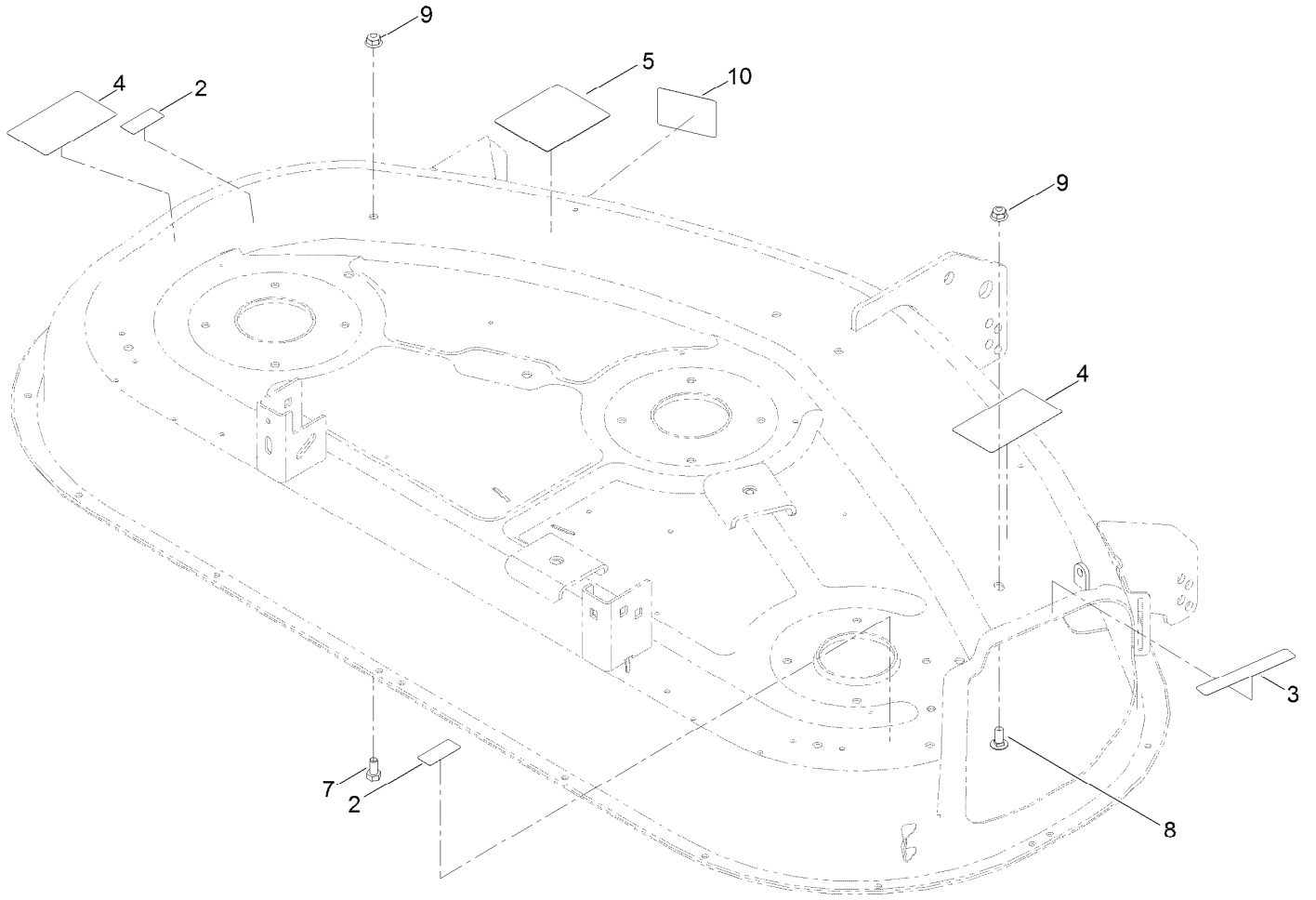




## 50 Inch Deck Assembly (continued)

<i>Ref.</i>	<i>Part Number</i>	<i>Qty.</i>	<i>Description</i>	<i>Ref.</i>	<i>Part Number</i>	<i>Qty.</i>	<i>Description</i>
1	131-3606	1	50" Deck And Decal ASM	15	32144-1	6	Screw-Taptite
2	131-4138	1	Bracket-Hanger, RH	16	112-3977	3	Bolt-Shoulder
3	131-1091	1	Bracket-Hanger, Lr	17	1-603299	3	Roller-Scalp, Anti
4	104-8301	5	Nut-Flange, NI	18	112-3950	1	Rod-Pivot
5	3231-2	2	Bolt-CARR	19	108-7895	1	Deflector
6	104-8300	4	Nut-Flange, NI	20	110-6694	1	Spring-Torsion
7	95-2747	2	Fitting-Washout	22	3296-59	1	Nut-Lock, NI
8	46-6290	2	O-Ring	23	120-7024	1	Screw-Shoulder, HHF
9	46-8560	4	Screw-HHFTF	24	3230-23	1	Screw-CARR
10	117-1223	1	Decal	25	110-0618	1	Pin-Clevis
11	322-3	2	Screw-HH	26	3256-23	1	Washer-Flat
12	95-3270	1	Connector-Hose	27	1-806003	1	Pin-Cotter, Hair
13	112-3983-03	1	Baffle-Cutoff	28	131-0955	1	Rod-Deck Level
14	108-7890	2	Cover-Belt				

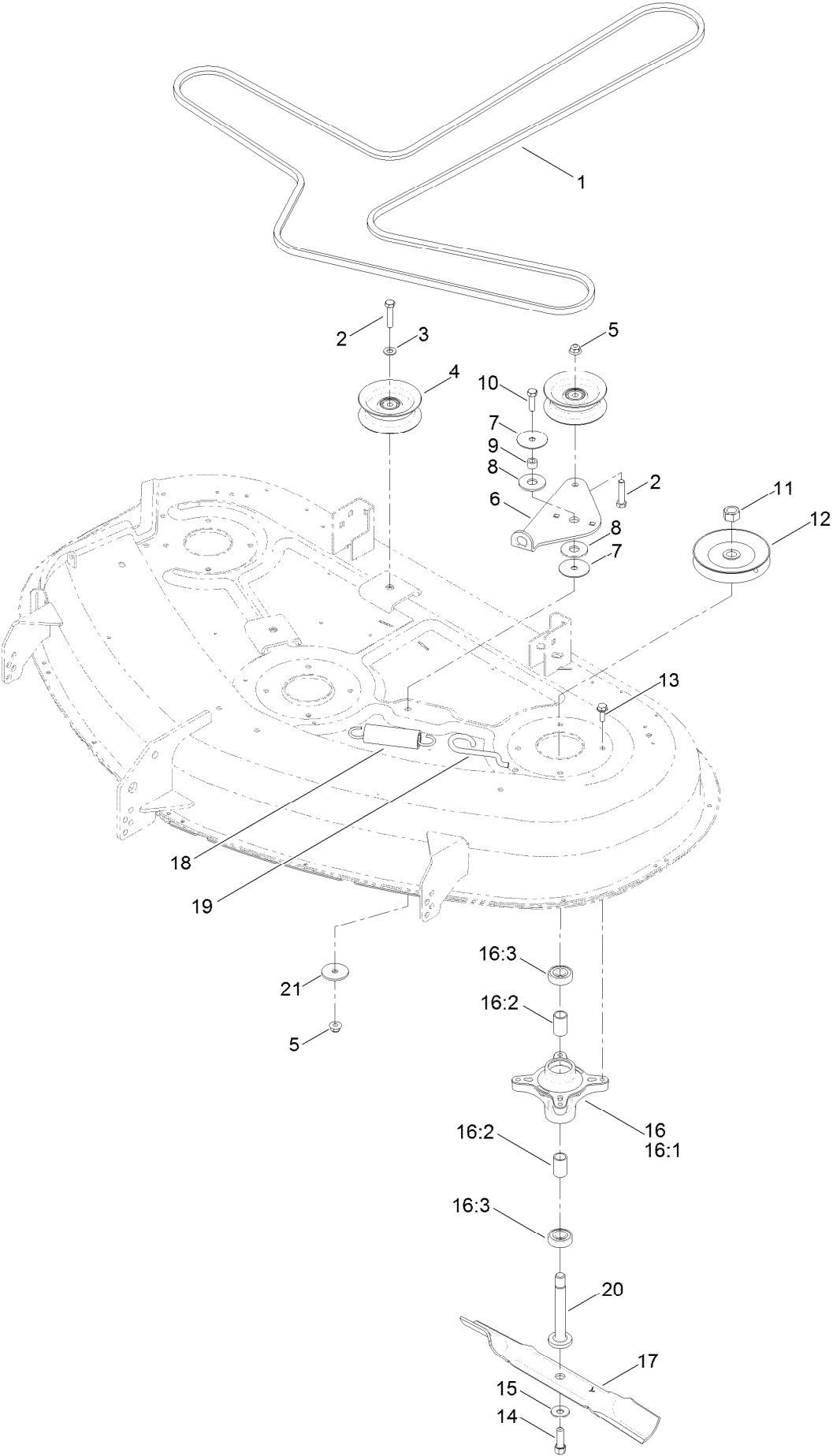
# 50 Inch Deck Decal Assembly No. 131-3606



## 50 Inch Deck Decal Assembly No. 131-3606 (continued)

<i>Ref.</i>	<i>Part Number</i>	<i>Qty.</i>	<i>Description</i>	<i>Ref.</i>	<i>Part Number</i>	<i>Qty.</i>	<i>Description</i>
2	114-1606	2	Decal-Danger	7	322-2	1	Screw-HH
3	93-7009	1	Decal-Danger	8	3230-23	1	Screw-CARR
4	110-6691	2	Decal-Danger	9	104-8300	2	Nut-Flange, NI
5	99-3943	1	Decal-Routing, Belt	10	112-9840	1	Decal-Scalp, Anti

# 50 Inch Deck, Belt and Blade Assembly



## 50 Inch Deck, Belt and Blade Assembly (continued)

<i>Ref.</i>	<i>Part Number</i>	<i>Qty.</i>	<i>Description</i>	<i>Ref.</i>	<i>Part Number</i>	<i>Qty.</i>	<i>Description</i>
1	119-8820	1	V-Belt	13	32144-41	12	Screw-Taptite
2	323-9	3	Screw-HH	14	26-0671	3	Screw-HH
3	3256-24	2	Washer-Flat	15	3290-465	3	Washer-Belleville
4	106-2175	3	Pulley-Idler, Flat	16	121-0751	3	Spindle ASM
5	104-8301	2	Nut-Flange, NI	16:1	117-7267	1	Spindle
6	114-8540	1	Arm-Idler	16:2	120-7935	2	Spacer
7	120-2229	2	Washer	16:3	100-1048	2	Bearing-Ball
8	114-0463	2	Washer-Friction, Composite	17	115-5059-03	3	Blade-Hi Lift
9	115-4986	1	Spacer	18	1-603414	1	Spring-Extension
10	323-7	1	Screw-HH	19	112-3973	1	Hook-Return, Spring
11	3219-6	3	Nut-Hex	20	117-7268	3	Shaft-Spindle
12	125-5575	3	Pulley	21	63-7400	1	Washer-Rebound

# Attachments and Accessories

## For 74730 TimeCutter SS 5000 Riding Mower

<b>Product Name</b>	<b>Model/Part</b>
Armrest Kit .....	105-6978
Deck Ring Kit.....	114-1608
Oil-Synthetic, All Season .....	117-0066
Fuel Stabilizer (4oz).....	117-0089
Fuel Stabilizer (16oz).....	117-0090
Seat Cover W/o Arm Rest - TC 18in .....	117-0096
Hourmeter Kit, 2011 and After TimeCutter Riding Mower .....	120-5498
Striping Kit .....	120-7905
Attachment Mount Kit .....	131-3966
Weight Kit .....	131-7658
10w30 4-cycle Engine Oil (32oz Bottle) .....	38280
Toro 4-cycle Sae 30 Oil (32oz Bottle).....	38903
Storage Cover .....	490-7516
Foot Assist Deck Lift Kit, 2011 and After Zero-Turn-Radius Riding Mower .....	79010
Sunshade Kit, 2011 and After Zero-Turn-Radius Riding Mower .....	79011
Blade Kit .....	79016P
50in Recycler Kit, 2007 and After Riding Mower .....	79019
Floor Mat Kit, 2011 and After Zero-Turn-Radius Riding Mower with 50in Cutting Unit.....	79021
Cargo Carrier .....	79040
Assist Handle and Step Kit .....	79339
50in Bagger .....	79382

**Notes:**



**Count on it.**