



Count on it.

Parts Catalog

**53cm Mulching/Rear
Bagging/Side Discharging
Lawn Mower**

Model No. 29732—Serial No. 315000001 and Up



Ordering Replacement Parts

To order replacement parts, please supply the part number, the quantity, and the description of each part desired.

Understanding Reference Numbers

Each identified part in an illustration has a reference number. The reference number for a part also appears in the parts list, along with other information about the part.

This catalog uses two special reference number formats, one to indicate parts in a service assembly and another to indicate the quantity of a given part in an illustration.

Service Assembly Reference Numbers

Parts in service assemblies have reference numbers in the form a:b. The a represents the reference number of the entire service assembly and the b represents a sequential number unique to each part within the service assembly.

For example, a wheel assembly might be identified by reference number 6, the tire by 6:1, the valve by 6:2, and the wheel by 6:3. When you order the assembly identified by reference number 6, you receive all parts identified by reference numbers 6:1, 6:2, and 6:3. However, you may also order any part individually. Reference numbers of this type appear in illustration and in parts lists.

Reference Numbers Indicating Quantity

In an illustration, if a reference number indicates more than one part, the reference number has the form nX y. The n represents the quantity of the part, the X is the multiplication symbol, and the y represents the reference number.

For example, in an illustration, the reference number 2X 37 means that two of the parts identified by reference number 37 are indicated.

List of Abbreviations

AR: as required

ASM: assembly

BBC: blade brake control

BHTF: button head thread forming

CARR: carriage

CCW: counter clockwise

CW: clockwise

DEG: degrees

DPA: Dual Point Adjustment

ECM: electronic control module

EXT: external

FH: flat head

GA: gauge

HD: heavy-duty

HF: hex flange

HH: hex head

HHF: hex head flange

HHFTF: hex head flange thread forming

HJ: hex jam

HLH: hex lag head

HOC: height-of-cut

HP: high pressure

HSBH: hex socket button head

HSFH: hex socket flat head

HSH: hex socket head

HWH: hex washer head

HWHTF: hex washer head thread forming

HYD: hydraulic

LH: left hand

LP: low pressure

LPG: Liquefied Petroleum Gas

NI: nylon insert

NPTF: national pipe thread fine

PFH: phillips flat head

PPH: phillips pan head

PPHTF: phillips pan head thread forming

PRH: phillips round head

PTH: phillips truss head

PTO: power-take-off

RH: right hand

ROPS: roll-over protection system

RRB: rear roller brush

SFH: slotted fillister head

SHH: slotted hex head

SHWH: slotted hex washer head

SPH: slotted pan head

SQH: square head

SRH: slotted round head

STD: standard

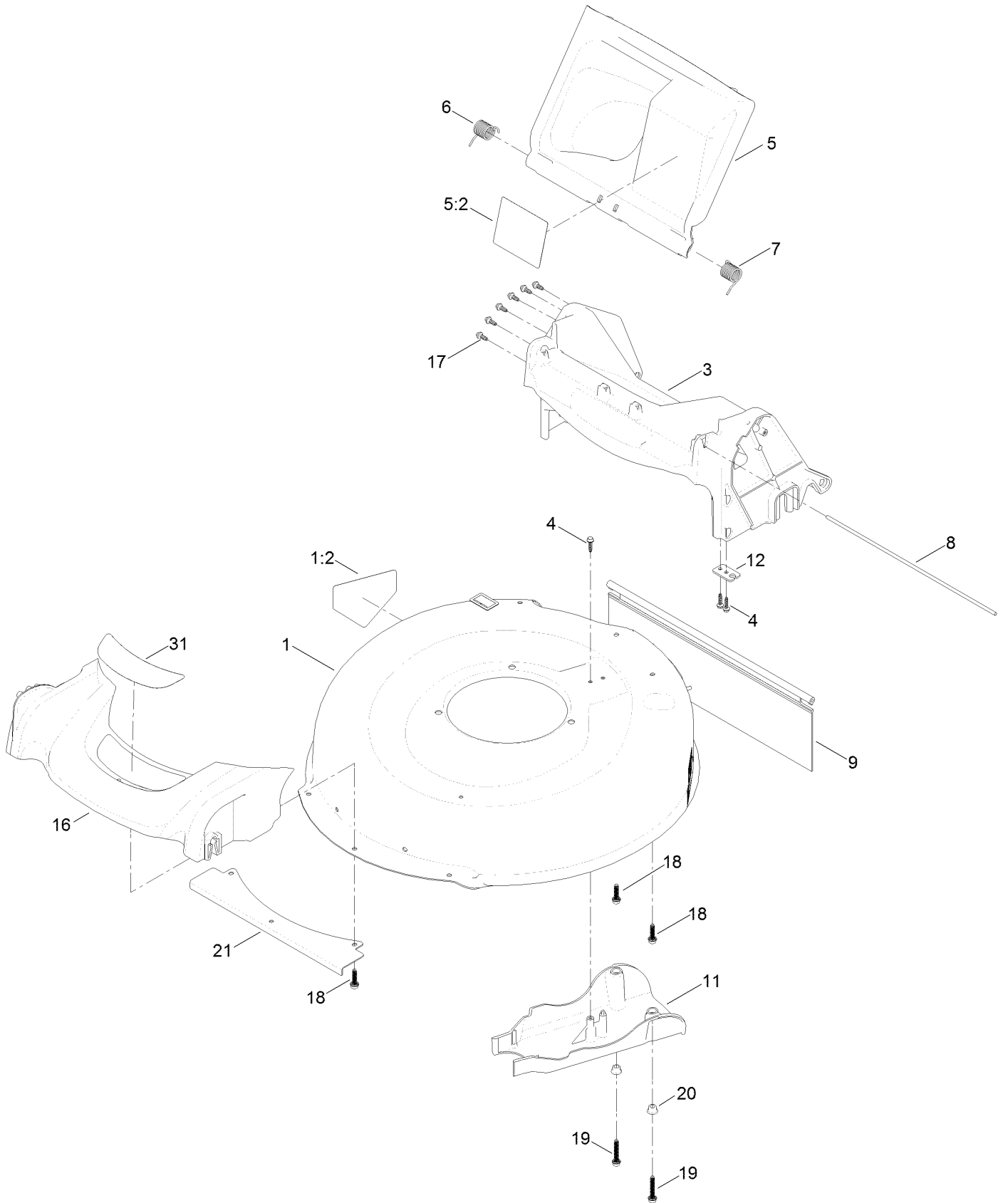
TAP: self tapping

TTH: torx truss head

Contents

Housing Assembly	4
Grass Bag Assembly	6
Engine Assembly	8
Front Wheel Assembly	10
Rear Wheel Assembly	12
Handle Assembly	14
Attachments and Accessories	16

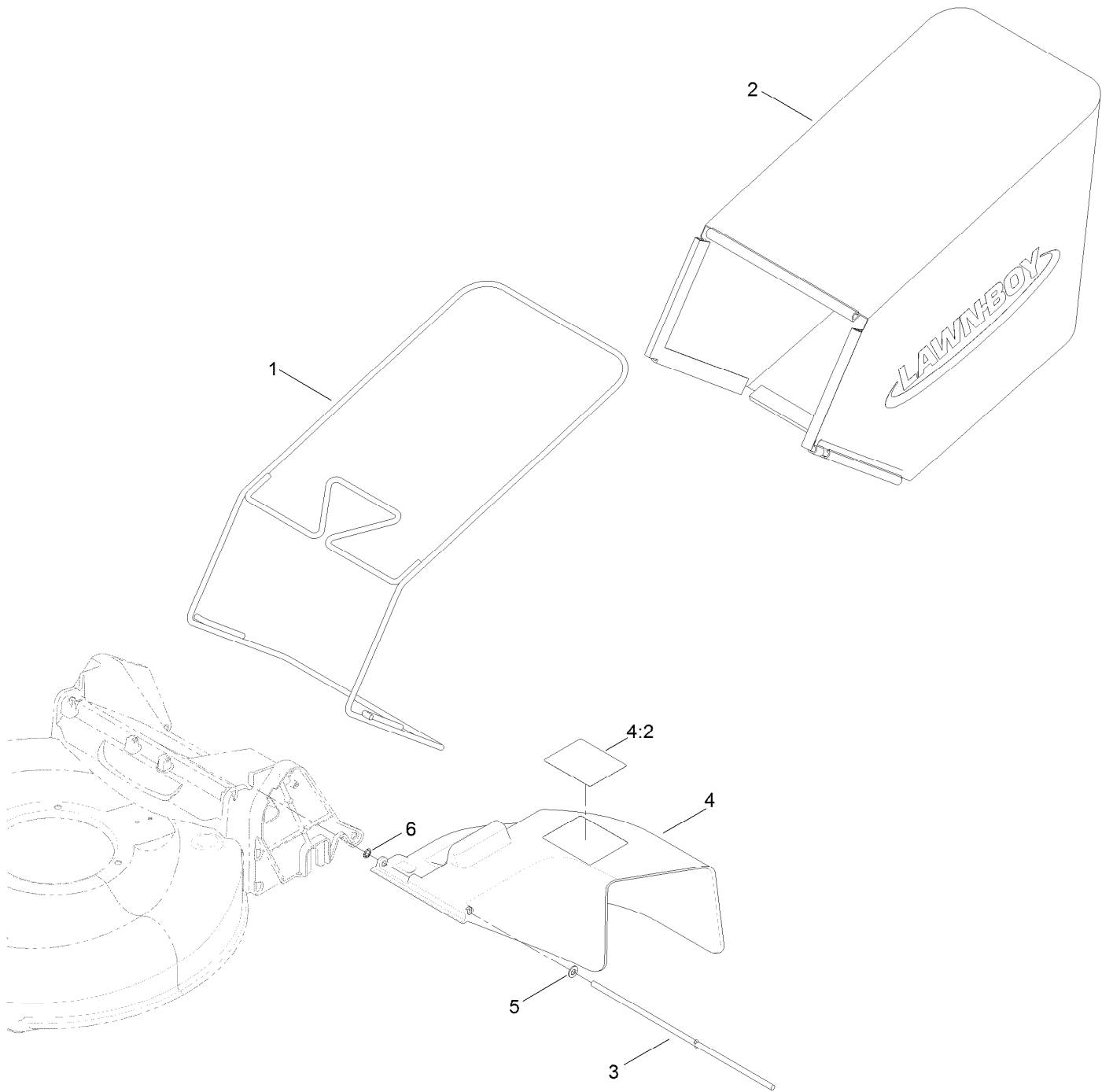
Housing Assembly



Housing Assembly (continued)

<i>Ref.</i>	<i>Part Number</i>	<i>Qty.</i>	<i>Description</i>	<i>Ref.</i>	<i>Part Number</i>	<i>Qty.</i>	<i>Description</i>
1	130-6745	1	Housing ASM	11	127-0723	1	Cover-Belt
1:2	112-8760	1	Decal-Danger	12	127-0730	1	Bracket-Cable
3	130-6656	1	Chute ASM	16	127-0677	1	Bumper
4	127-6831	3	Screw-HWH	17	130-2355	6	Stud
5	130-2368	1	Rear Deflector ASM	18	130-6658	7	Screw-Flange, Serrated
5:2	117-4143	1	Decal-Warning	19	130-6659	2	Screw-Flange, Serrated
6	127-6807	1	Spring-Torsion	20	130-2378	2	Spacer-Flange
7	127-6808	1	Spring-Torsion	21	131-0820-03	1	Shield-Front
8	127-0698	1	Rod-Door	31	130-6740	1	Decal, Deck
9	127-0724	1	Shield-Trailing				

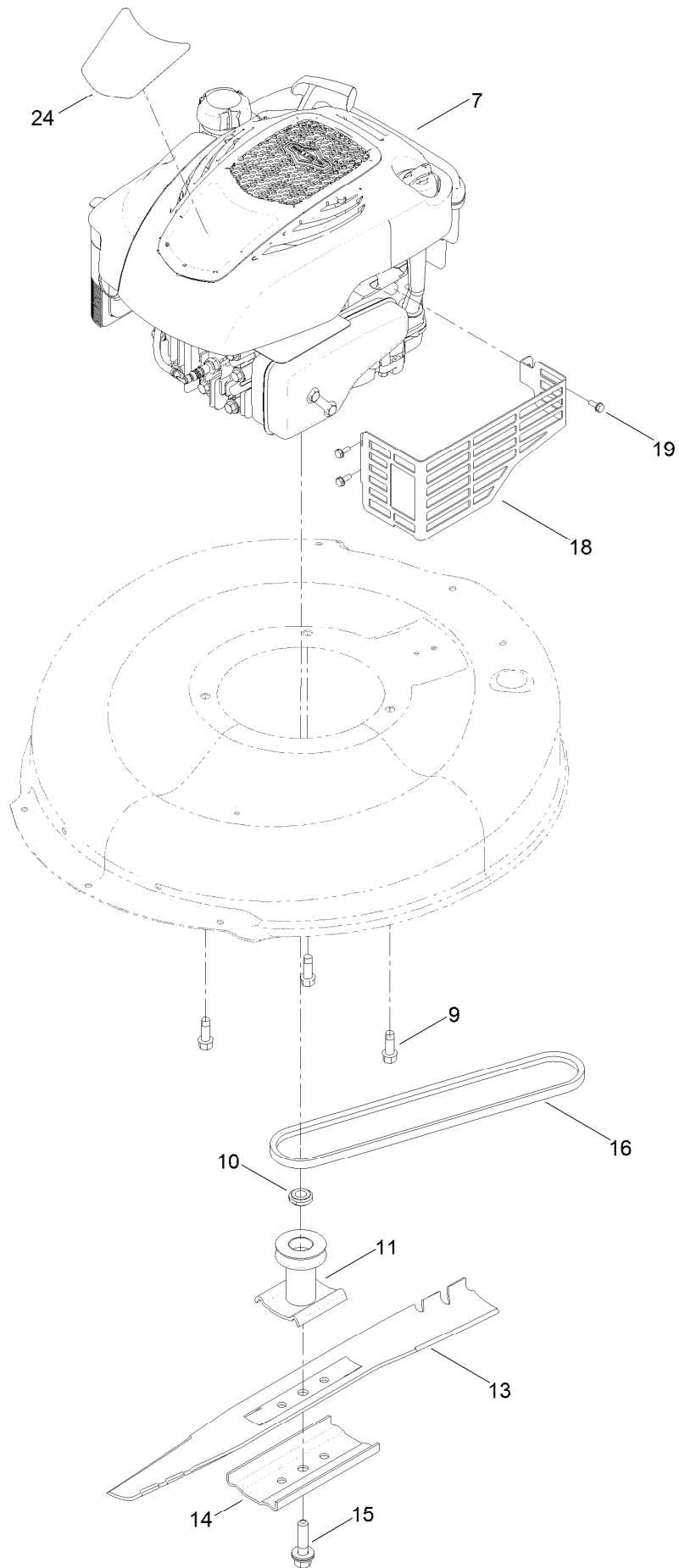
Grass Bag Assembly



Grass Bag Assembly (continued)

<i>Ref.</i>	<i>Part Number</i>	<i>Qty.</i>	<i>Description</i>	<i>Ref.</i>	<i>Part Number</i>	<i>Qty.</i>	<i>Description</i>
1	127-0702-03	1	Frame-Bag	4:2	117-4143	1	Decal-Warning
2	130-6744	1	Bag-Grass	5	3256-23	1	Washer-Flat
3	127-6815	1	Rod	6	32151-72	1	Ring-Retaining
4	127-6806	1	Deflector-Chute				

Engine Assembly



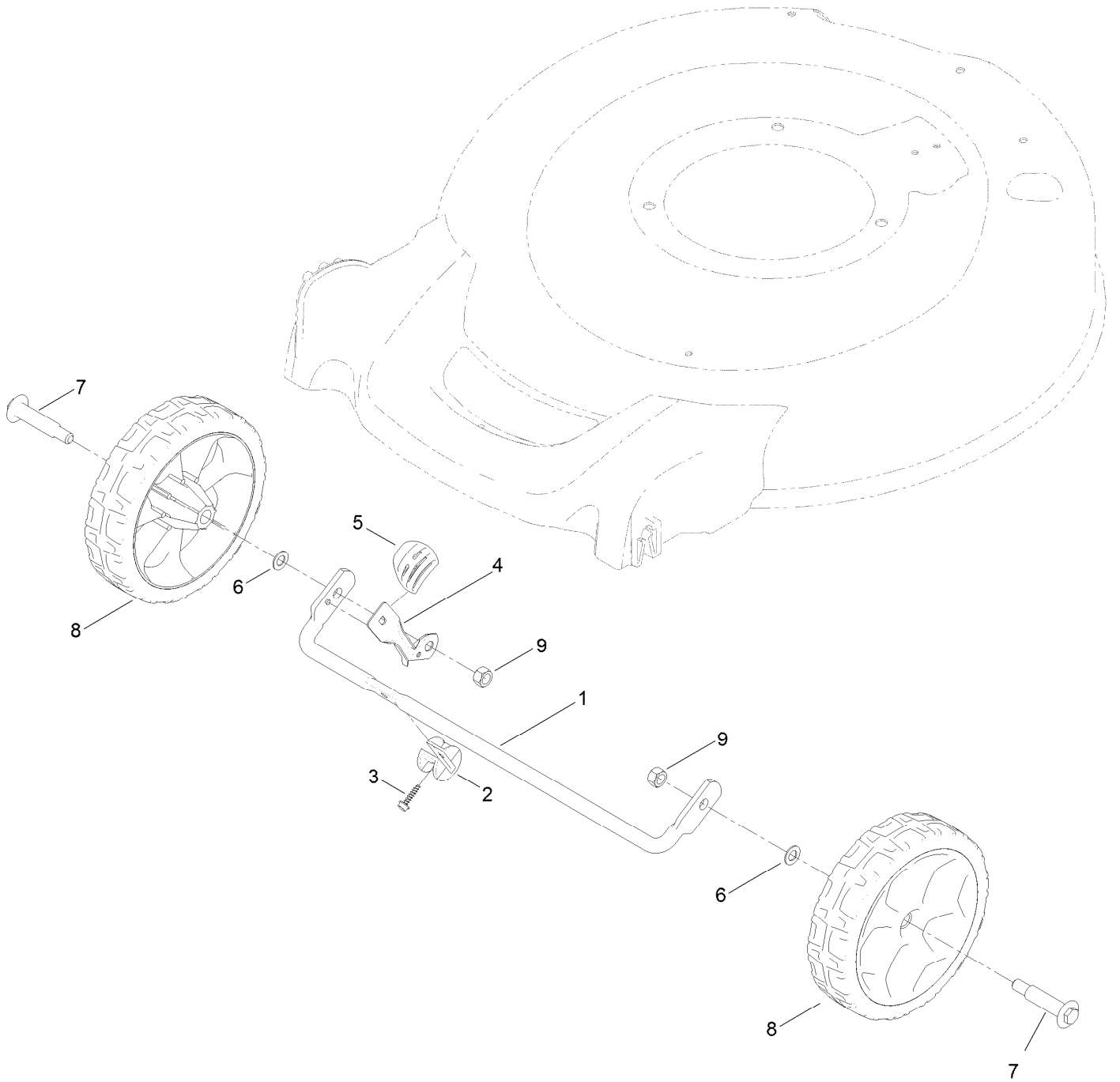
Engine Assembly (continued)

<i>Ref.</i>	<i>Part Number</i>	<i>Qty.</i>	<i>Description</i>	<i>Ref.</i>	<i>Part Number</i>	<i>Qty.</i>	<i>Description</i>
7		1	Engine-Briggs 126M020119F1 ■●	14	108-3766-03	1	Support-Blade
9	95-1726	3	Screw-Taptite	15	125-2466	1	Bolt-Blade
10	106-3999	1	Spacer-Driver	16	110-9429	1	V-Belt
11	106-3987	1	Driver-Blade	18	104-7577-03	1	Shield-Muffler
13	108-0954-03	1	Blade-21 Inch	19	32144-1	3	Screw-Taptite
				24	120-1935	1	Decal-Shroud

● Not serviced separately

■ Obtain parts from www.briggsandstratton.com

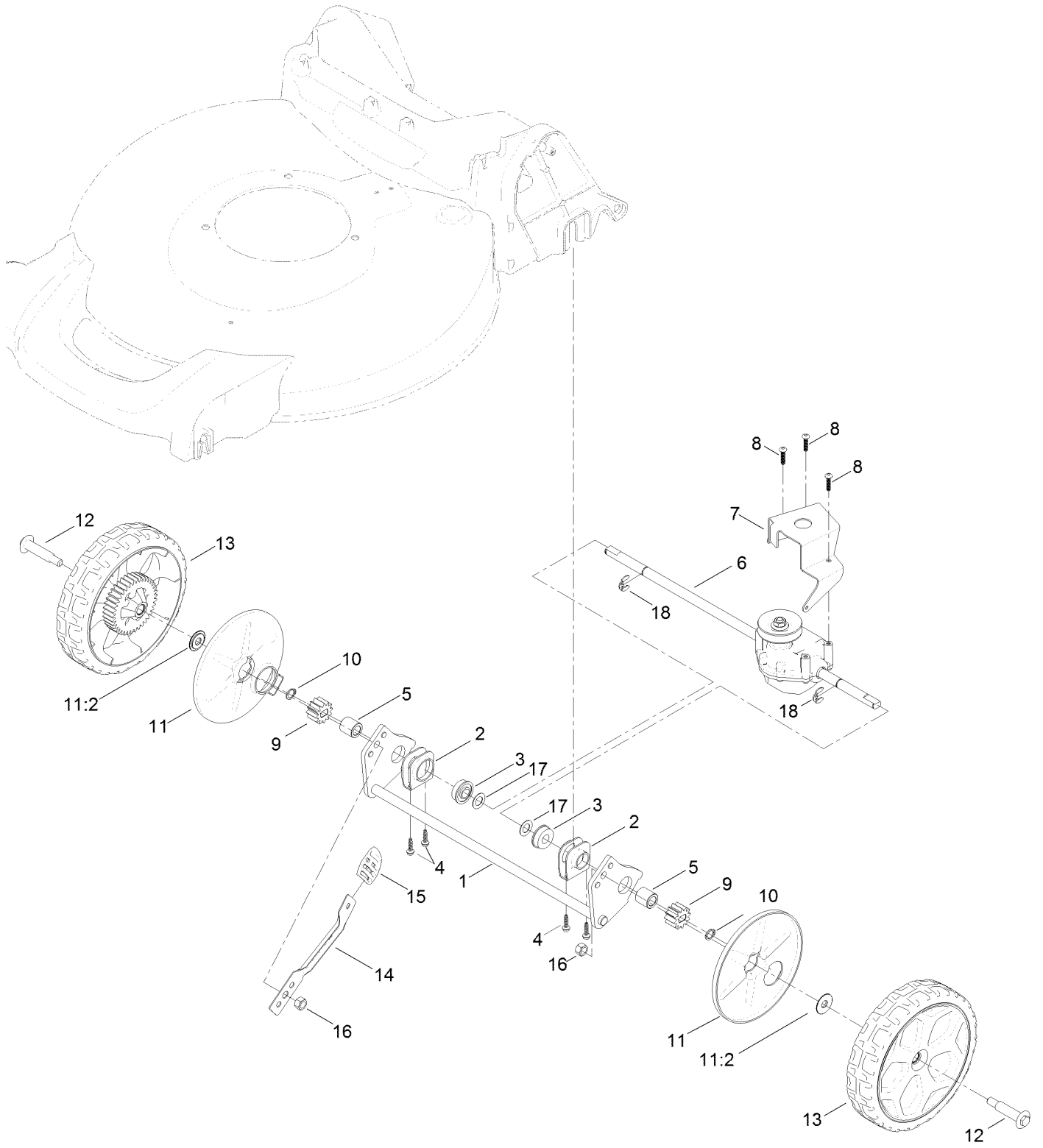
Front Wheel Assembly



Front Wheel Assembly (continued)

<i>Ref.</i>	<i>Part Number</i>	<i>Qty.</i>	<i>Description</i>	<i>Ref.</i>	<i>Part Number</i>	<i>Qty.</i>	<i>Description</i>
1	127-0668-03	1	Axle-Front	6	40-1940	2	Washer
2	127-6800	1	Stop-Axle	7	92-1057	2	Bolt-Shoulder
3	127-6831	1	Screw-HWH	8	127-0683	2	7 Inch Wheel ASM
4	127-0693	1	Arm-Spring	9	125-5069	2	Nut-Hex
5	105-3042	1	Knob-Lever, HOC				

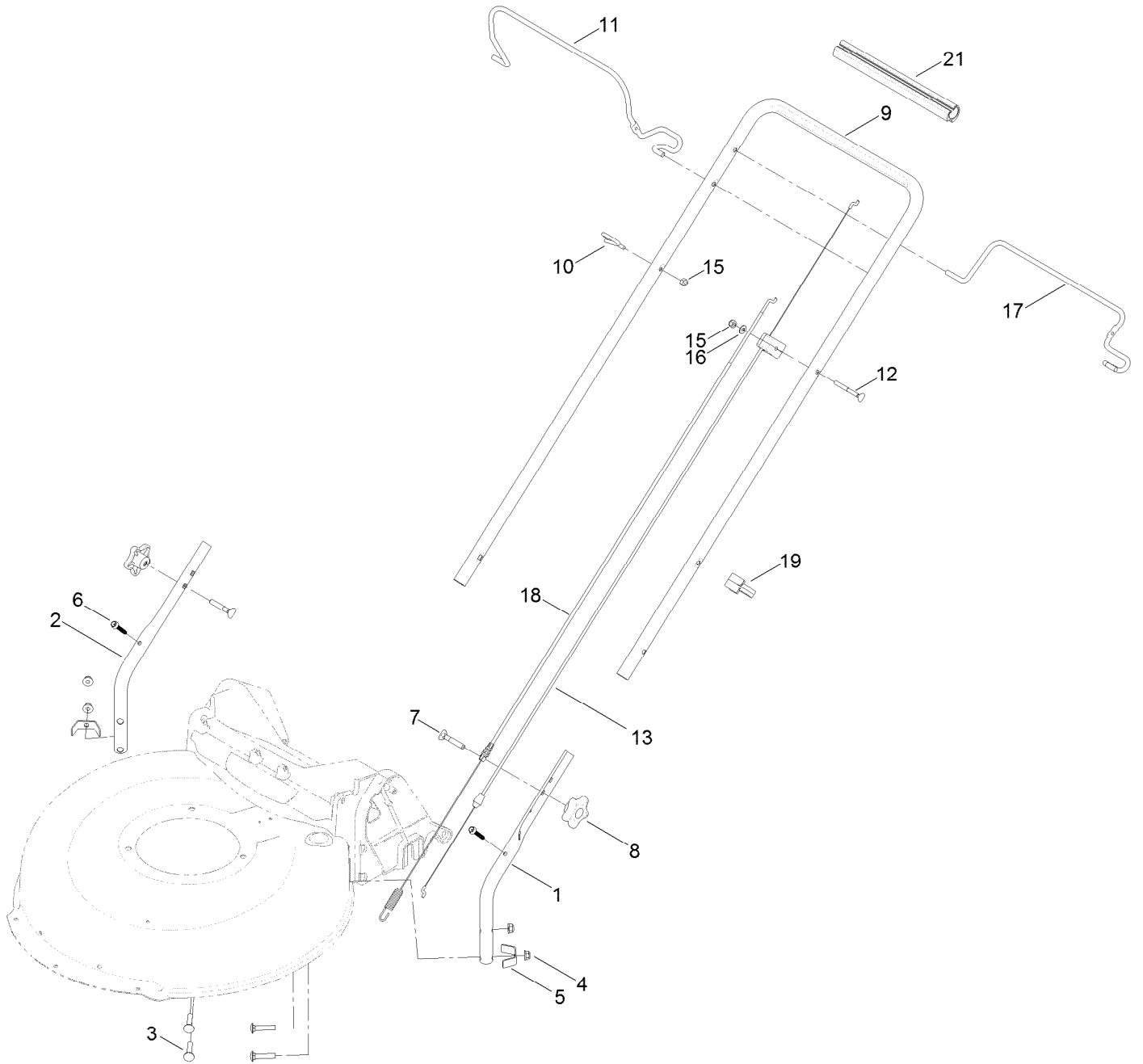
Rear Wheel Assembly



Rear Wheel Assembly (continued)

<i>Ref.</i>	<i>Part Number</i>	<i>Qty.</i>	<i>Description</i>	<i>Ref.</i>	<i>Part Number</i>	<i>Qty.</i>	<i>Description</i>
1	127-0708-03	1	Axle-Rear	11	127-6840	2	Wheel Cover ASM
2	127-0707	2	Retainer-Bearing	11:2	614426	1	Washer-Stepped
3	104-8699	2	Bearing-Ball	12	92-1057	2	Bolt-Shoulder
4	127-6831	4	Screw-HWH	13	127-0692	2	8 Inch Wheel Gear ASM
5	127-6896	2	Bushing-Sleeve	14	127-0711	1	Arm-Spring
6	131-0881	1	Transmission	15	105-3042	1	Knob-Lever, HOC
7	114-7977-03	1	Bracket-Transmission	16	125-5069	2	Nut-Hex
8	108-7476	3	Screw-Plastite	17	36-4780	2	Washer-Plain
9	115-4668	2	Gear-Pinion	18	65-2720	2	Ring-Clip, Locking
10	32151-61	2	Ring-Retaining				

Handle Assembly



Handle Assembly (continued)

<i>Ref.</i>	<i>Part Number</i>	<i>Qty.</i>	<i>Description</i>	<i>Ref.</i>	<i>Part Number</i>	<i>Qty.</i>	<i>Description</i>
1	127-0657-05	1	Handle-Lower, LH	11	127-0718-03	1	Bail-Brake
2	127-0658-05	1	Handle-Lower, RH	12	92-2270	1	Screw-Handle
3	130-6654	4	Screw-CARR	13	112-8818	1	Cable-Brake
4	130-6655	4	Nut-Flange, NI	15	3296-73	2	Nut-Lock, NI
5	127-0699	2	Bracket-Chute	16	3256-1	1	Washer-Flat
6	130-6659	2	Screw-Flange, Serrated	17	127-0719-03	1	Bail-Traction
7	92-2260	2	Screw-Handle	18	127-0733	1	Cable-Traction
8	117-5976	2	Knob-Handle	19	114-7988	1	Guide-Cable
9	127-0659-05	1	Handle-Upper	21	120-5216	1	Grip-Handle, Comfort
10	86-9671	1	Guide-Rope				

Attachments and Accessories

For 29732 53cm Mulching/Rear Bagging/Side Discharging Lawn Mower

Product Name

Model/Part

Lawn Striping Kit with 22in Roller..... 20601

Notes:

Notes:

Notes:



Count on it.