



**Count on it.**

**Parts Catalog**

**53cm Heavy-Duty Recycler®/Rear  
Bagger Lawn Mower**

Model No. 22291—Serial No. 315000001 and Up



# Ordering Replacement Parts

To order replacement parts, please supply the part number, the quantity, and the description of each part desired.

## Understanding Reference Numbers

Each identified part in an illustration has a reference number. The reference number for a part also appears in the parts list, along with other information about the part.

This catalog uses two special reference number formats, one to indicate parts in a service assembly and another to indicate the quantity of a given part in an illustration.

## Service Assembly Reference Numbers

Parts in service assemblies have reference numbers in the form a:b. The a represents the reference number of the entire service assembly and the b represents a sequential number unique to each part within the service assembly.

For example, a wheel assembly might be identified by reference number 6, the tire by 6:1, the valve by 6:2, and the wheel by 6:3. When you order the assembly identified by reference number 6, you receive all parts identified by reference numbers 6:1, 6:2, and 6:3. However, you may also order any part individually. Reference numbers of this type appear in illustration and in parts lists.

## Reference Numbers Indicating Quantity

In an illustration, if a reference number indicates more than one part, the reference number has the form nX y. The n represents the quantity of the part, the X is the multiplication symbol, and the y represents the reference number.

For example, in an illustration, the reference number 2X 37 means that two of the parts identified by reference number 37 are indicated.

# List of Abbreviations

**AR:** as required

**ASM:** assembly

**BBC:** blade brake control

**BHTF:** button head thread forming

**CARR:** carriage

**CCW:** counter clockwise

**CW:** clockwise

**DEG:** degrees

**DPA:** Dual Point Adjustment

**ECM:** electronic control module

**EXT:** external

**FH:** flat head

**GA:** gauge

**HD:** heavy-duty

**HF:** hex flange

**HH:** hex head

**HHF:** hex head flange

**HHFTF:** hex head flange thread forming

**HJ:** hex jam

**HLH:** hex lag head

**HOC:** height-of-cut

**HP:** high pressure

**HSBH:** hex socket button head

**HSFH:** hex socket flat head

**HSH:** hex socket head

**HWH:** hex washer head

**HWHTF:** hex washer head thread forming

**HYD:** hydraulic

**LH:** left hand

**LP:** low pressure

**LPG:** Liquefied Petroleum Gas

**NI:** nylon insert

**NPTF:** national pipe thread fine

**PFH:** phillips flat head

**PPH:** phillips pan head

**PPHTF:** phillips pan head thread forming

**PRH:** phillips round head

**PTH:** phillips truss head

**PTO:** power-take-off

**RH:** right hand

**ROPS:** roll-over protection system

**RRB:** rear roller brush

**SFH:** slotted fillister head

**SHH:** slotted hex head

**SHWH:** slotted hex washer head

**SPH:** slotted pan head

**SQH:** square head

**SRH:** slotted round head

**STD:** standard

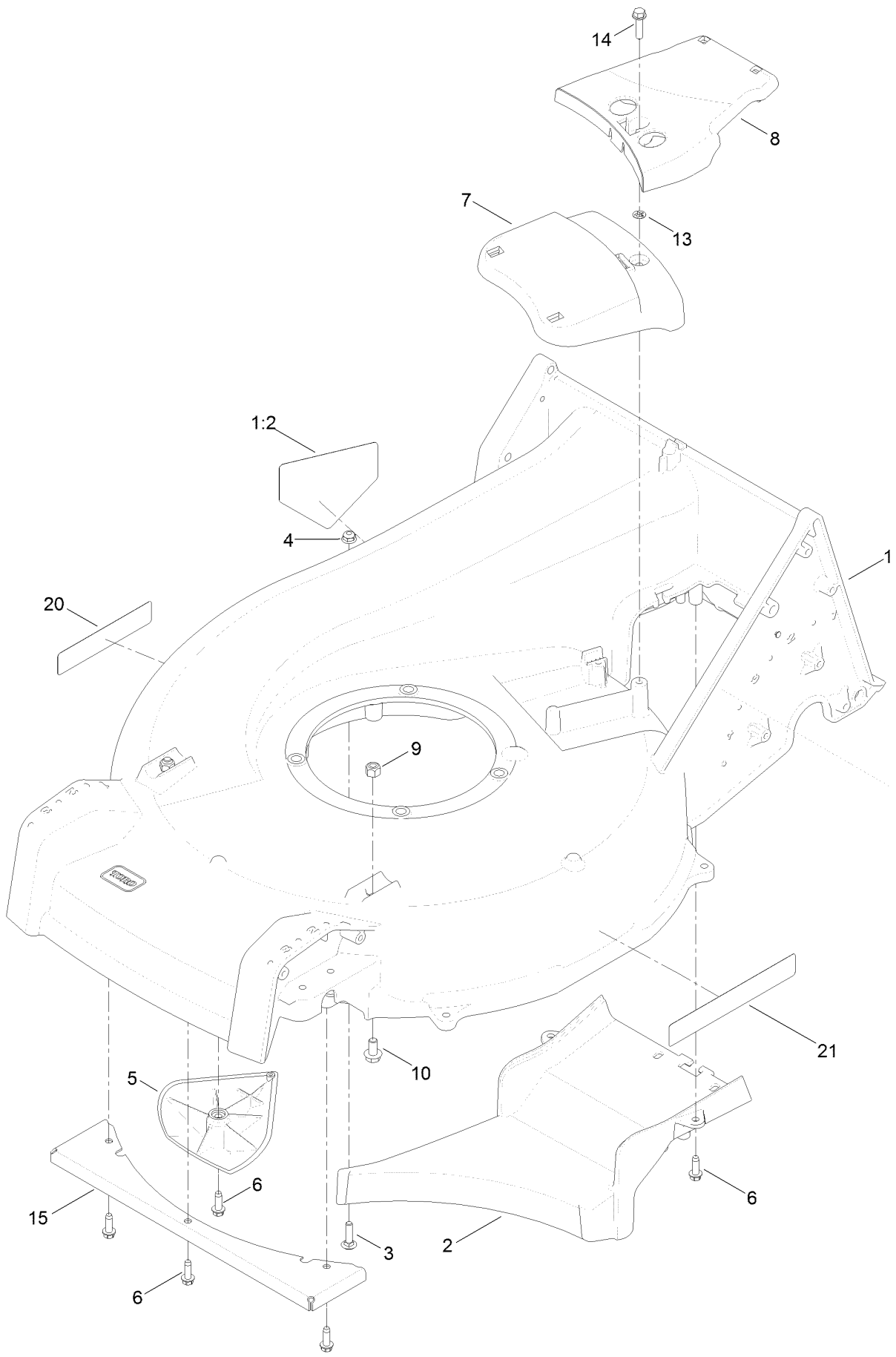
**TAP:** self tapping

**TTH:** torx truss head

# Contents

Housing Assembly .....	4
Grass Bag Assembly .....	6
Engine Assembly .....	8
Height-of-Cut and Wheel Assembly .....	10
Transmission Assembly .....	12
Handle Assembly .....	14
Attachments and Accessories .....	16

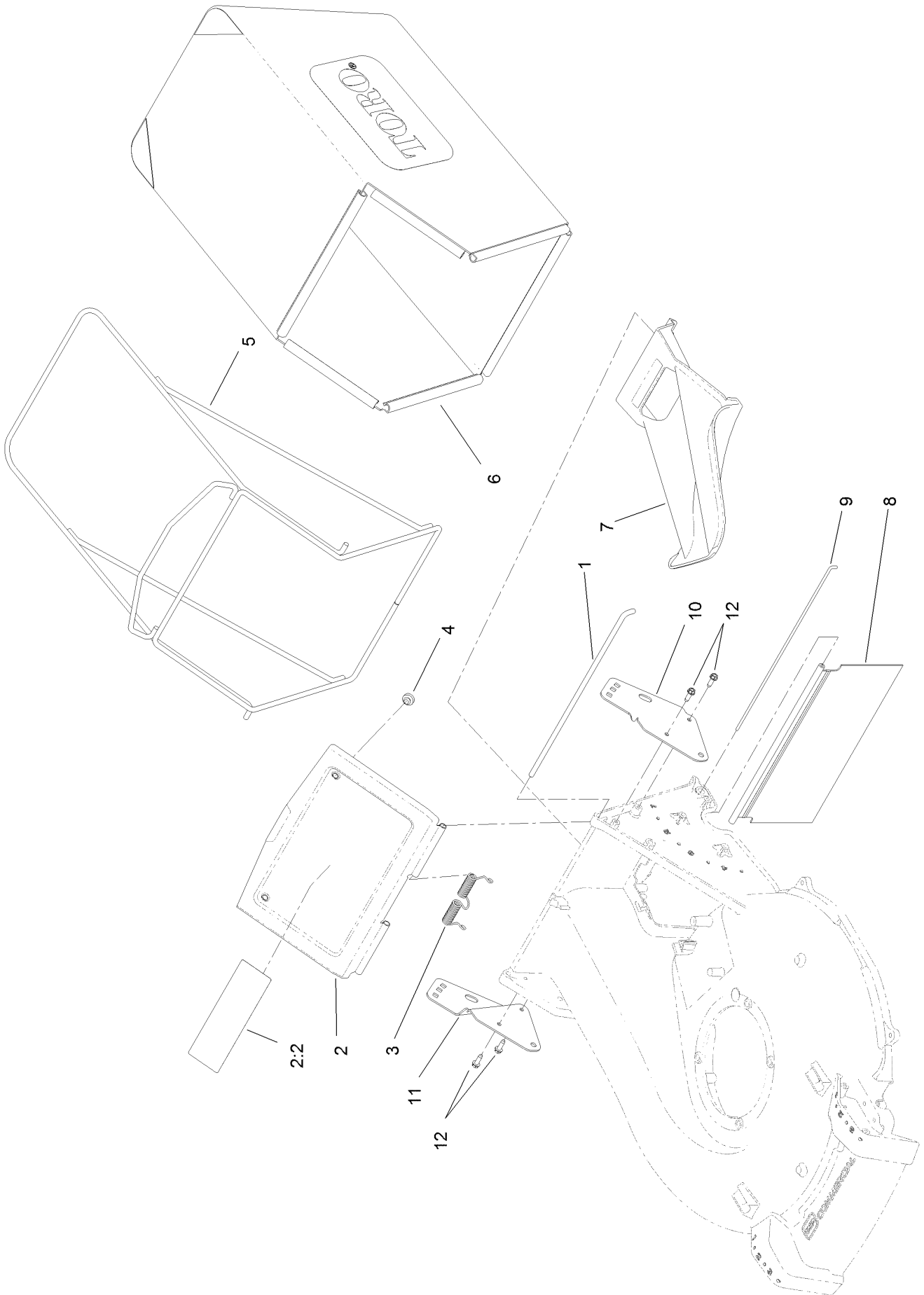
# Housing Assembly



## Housing Assembly (continued)

<i>Ref.</i>	<i>Part Number</i>	<i>Qty.</i>	<i>Description</i>	<i>Ref.</i>	<i>Part Number</i>	<i>Qty.</i>	<i>Description</i>
1	125-8401	1	Housing ASM	8	125-8380	1	Cover-Belt, Rear
1:2	112-8760	1	Decal-Danger	9	3296-29	2	Nut-Lock, NI
2	125-1002-01	1	Floor-Chute	10	3234-7	2	Screw-HHF
3	3229-2	1	Screw-CARR	13	106-8737	1	Nut-Retainer
4	104-7201	1	Nut-HF	14	32144-86	1	Screw-HWHTF
5	125-5041	2	Kicker	15	125-8435-03	1	Guard-Toe, Front
6	49-2040	7	Screw-HWHTF	20	125-8420	1	Decal
7	125-5038	1	Cover-Belt, Front	21	119-2368	1	Decal-Recycler

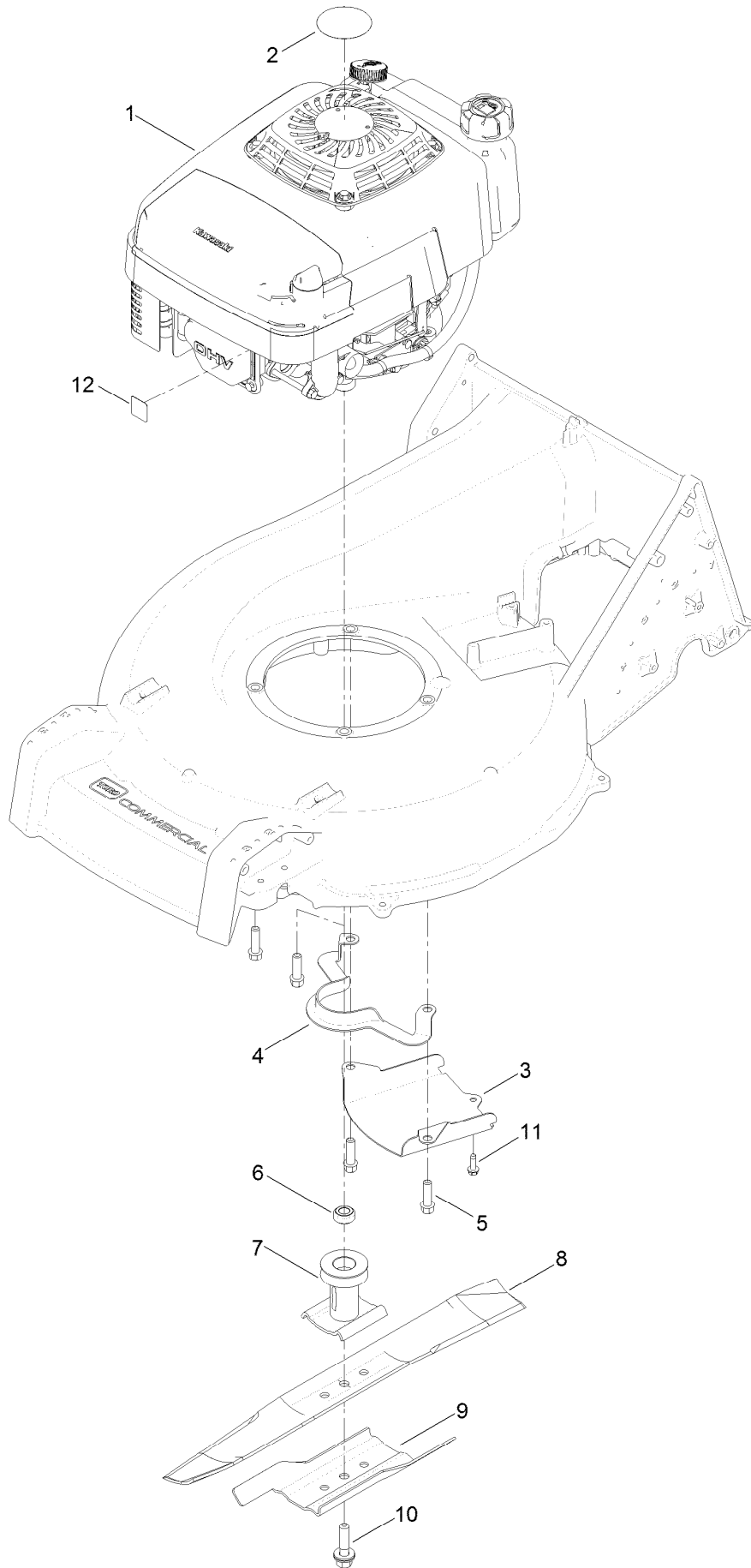
# Grass Bag Assembly



## Grass Bag Assembly (continued)

<i>Ref.</i>	<i>Part Number</i>	<i>Qty.</i>	<i>Description</i>	<i>Ref.</i>	<i>Part Number</i>	<i>Qty.</i>	<i>Description</i>
1	125-1017	1	Rod-Door, Bag	7	125-1008	1	Plug-Mulch
2	125-8402	1	Bag Door ASM	8	125-1007	1	Shield-Trailing
2:2	116-7583	1	Decal-Warning	9	125-8413	1	Rod-Shield, Trailing
3	125-1019	1	Spring-Torsion	10	125-1013-03	1	Bracket-Mount, LH Handle
4	1-513658	2	Bumper	11	125-1014-03	1	Bracket-Mount, RH Handle
5	121-1399-03	1	Frame-Bag	12	49-2040	4	Screw-HWHTF
6	125-1030	1	Bag-Grass				

# Engine Assembly





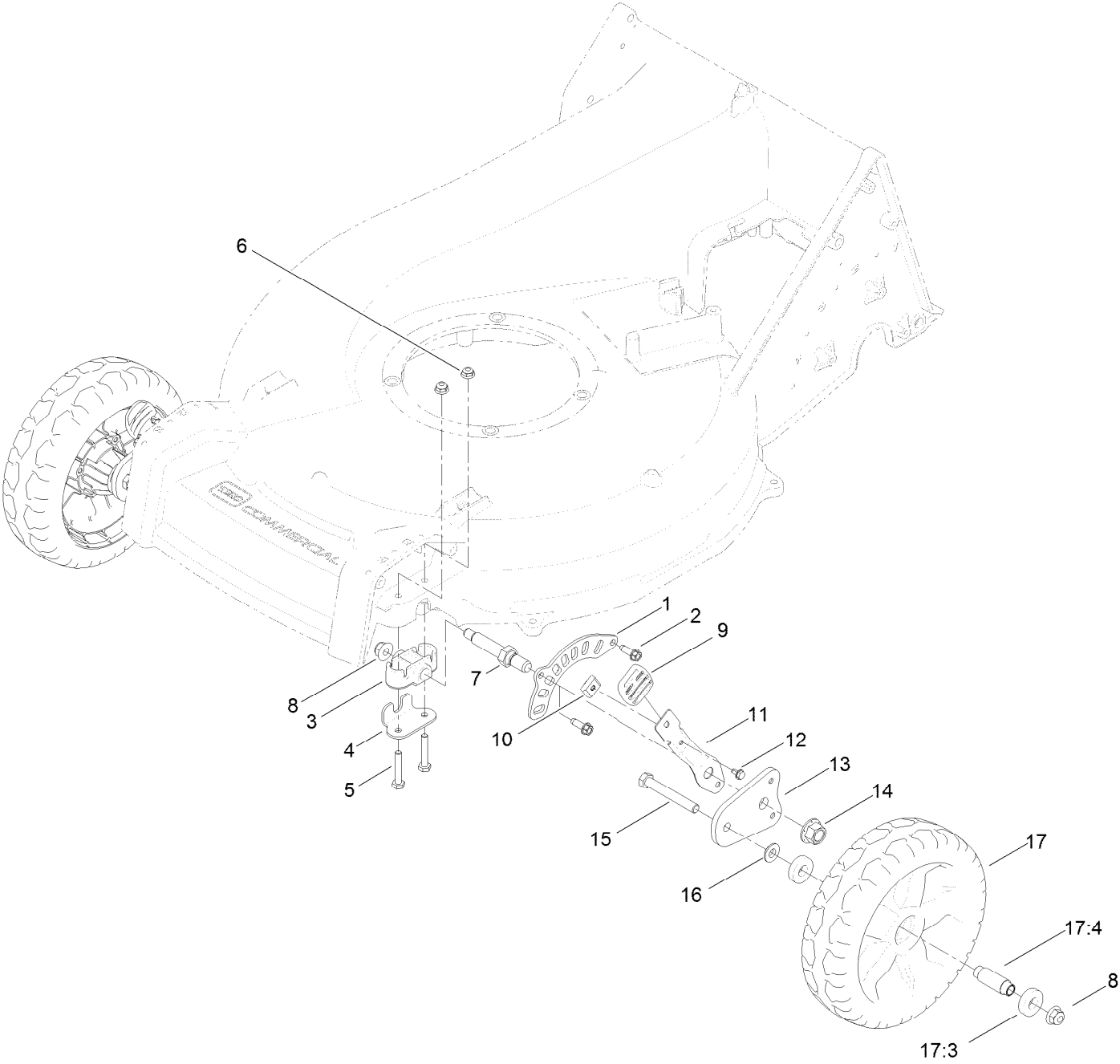
## Engine Assembly (continued)

<i>Ref.</i>	<i>Part Number</i>	<i>Qty.</i>	<i>Description</i>	<i>Ref.</i>	<i>Part Number</i>	<i>Qty.</i>	<i>Description</i>
1		1	Engine-Kawasaki, Fj180V ■	7	106-3987	1	Driver-Blade
			●	8	108-3762-03	1	Blade-Recycling
2	110-0520	1	Decal	9	125-1069-03	1	Accelerator-Blade
3	125-1005-03	1	Shield-Grass	10	125-2466	1	Bolt-Blade
4	108-8110-03	1	Guide-Belt	11	49-2040	1	Screw-HWHTF
5	95-1727	4	Screw-Taptite	12	125-8403	1	Decal-Primer
6	125-8432	1	Spacer-Driver, Blade				

● Not serviced separately

■ Obtain parts from [www.kawpowerepc.com](http://www.kawpowerepc.com)

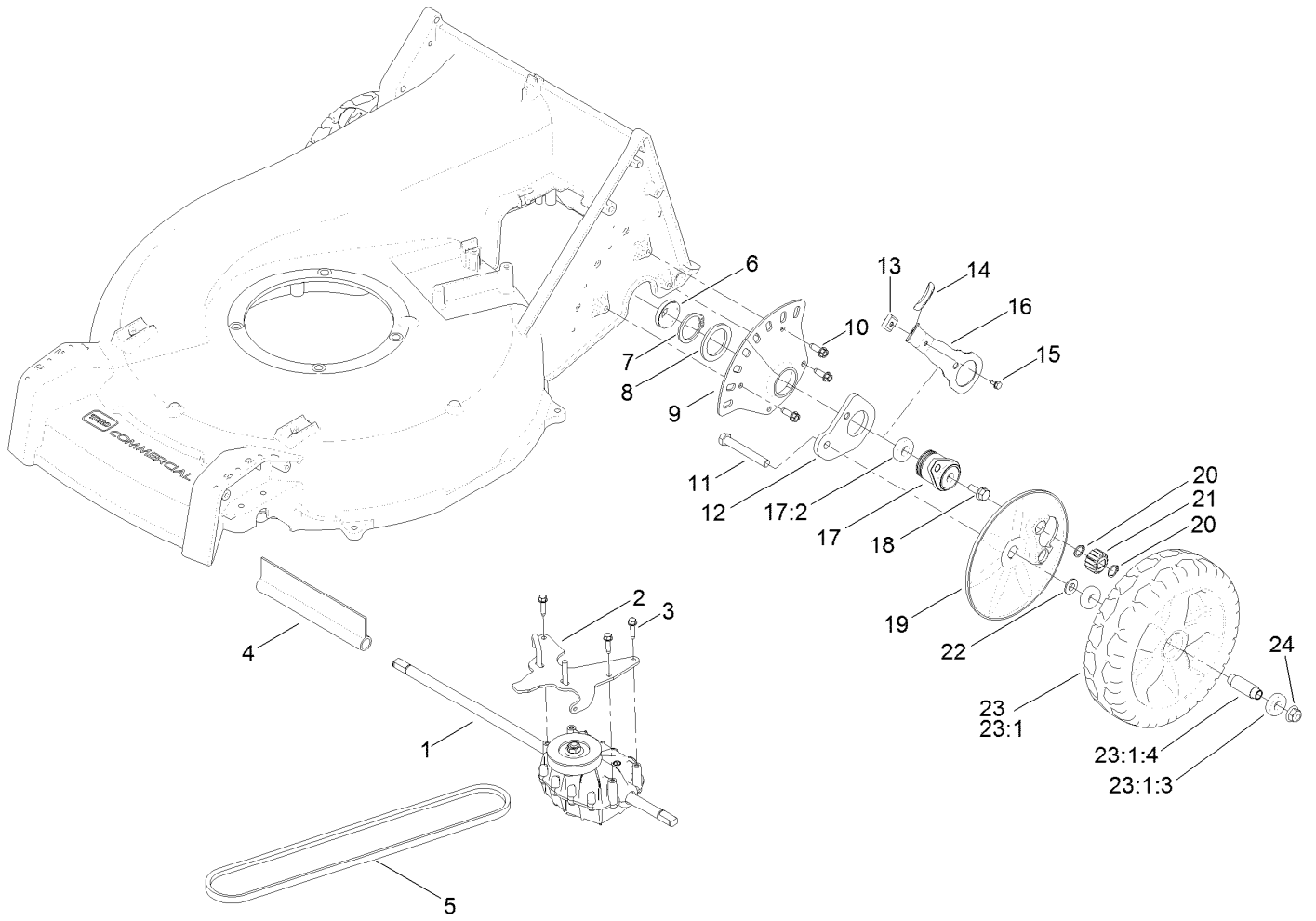
# Height-of-Cut and Wheel Assembly



## Height-of-Cut and Wheel Assembly (continued)

<i>Ref.</i>	<i>Part Number</i>	<i>Qty.</i>	<i>Description</i>	<i>Ref.</i>	<i>Part Number</i>	<i>Qty.</i>	<i>Description</i>
1	121-1439	2	Plate-HOC, Front	10	130-9690	2	Key-Arm, Spring
2	49-2040	4	Screw-HWHTF	11	121-1431-03	2	Arm-Spring
3	121-1427	2	Bushing-Axle, Front HOC	12	104-2065	2	Screw-HWH
4	121-1442	2	Retainer-Bushing, Front Axle	13	130-6420	2	Arm-Pivot, Front
5	321-9	4	Screw-HH	14	99-5107	2	Nut-Lock
6	104-7201	4	Nut-HF	15	323-13	2	Screw-HH
7	121-1428	2	Axle-Wheel	16	74-1671	2	Spacer-Cover, Wheel
8	104-8301	4	Nut-Flange, NI	17	125-1080	2	Wheel
9	125-1093	2	Knob-Lever, HOC	17:3	52-2450	2	Bearing-Wheel
				17:4	125-1077	1	Spacer

# Transmission Assembly

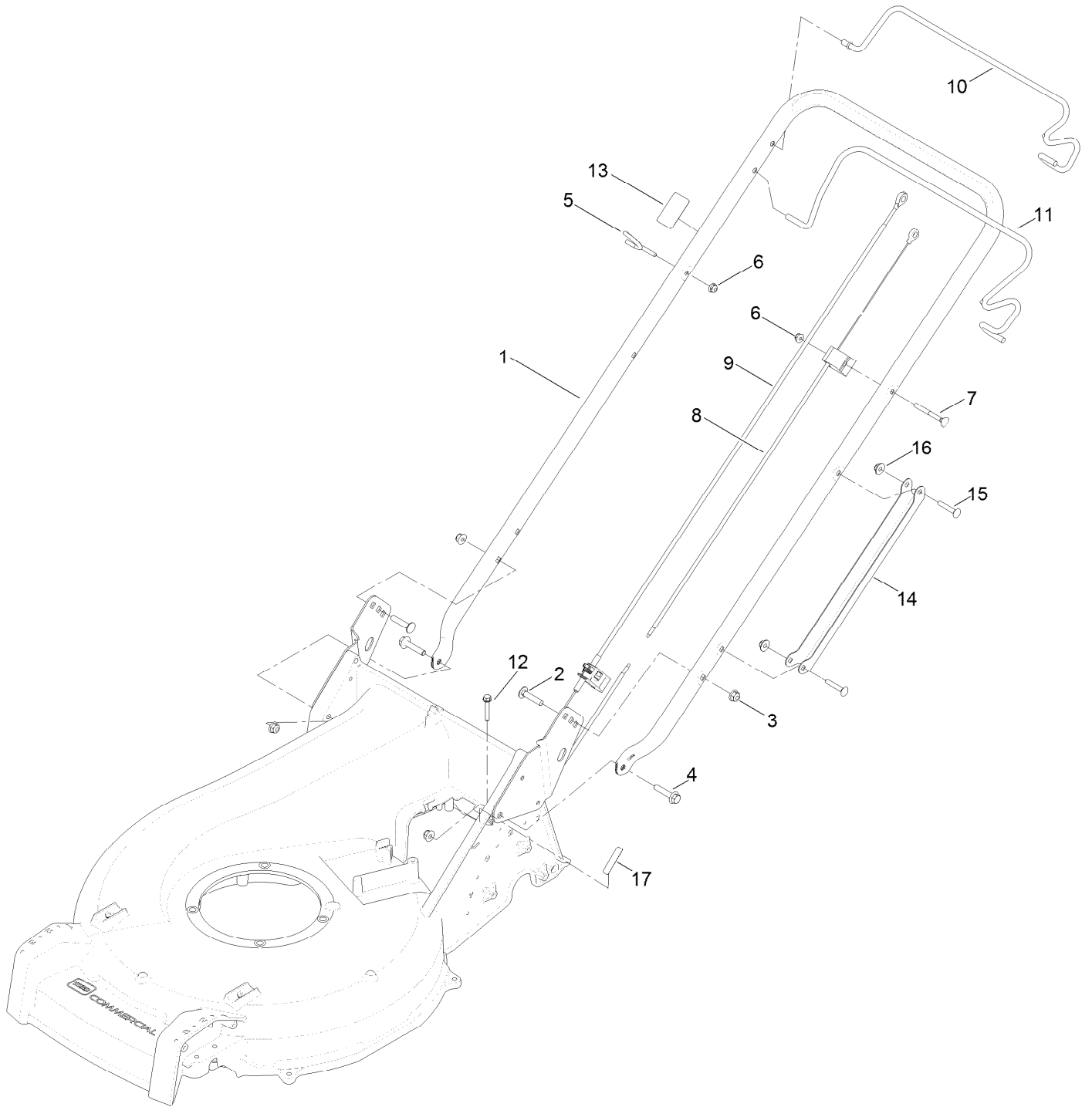


## Transmission Assembly (continued)

<i>Ref.</i>	<i>Part Number</i>	<i>Qty.</i>	<i>Description</i>	<i>Ref.</i>	<i>Part Number</i>	<i>Qty.</i>	<i>Description</i>
1	125-1020	1	Transmission	15	104-2065	2	Screw-HWH
2	125-8430-03	1	Guide-Belt	16	121-1448-03	2	Arm-Spring, Rear
3	27-0220	3	Screw-Special	17	121-1424	2	Retainer ASM
4	130-9681	1	Cover-Shaft, Transmission	17:2	52-2450	4	Bearing-Wheel
5	125-8395	1	Belt-V	18	130-9692	2	Screw-HWH
6	127-6848	2	Cover-Bearing	19	125-1082	2	Cover-Wheel
7	32151-10	2	Ring-Retaining	20	32151-61	4	Ring-Retaining
8	98-1452	2	Washer-Thrust	21	110-9417	2	Gear-Pinion, 15T
9	130-6422	2	Plate-HOC, Rear	22	74-1671	2	Spacer-Cover, Wheel
10	49-2040	6	Screw-HWHTF	23	125-1081	2	Wheel ASM
11	323-13	2	Screw-HH	23:1		1	Wheel ●
12	130-6421	2	Arm-Pivot, Rear	23:1:3	52-2450	2	Bearing-Wheel
13	130-9690	2	Key-Arm, Spring	23:1:4	125-1077	1	Spacer
14	125-1093	2	Knob-Lever, HOC	24	104-8301	2	Nut-Flange, NI

● Not serviced separately

# Handle Assembly



## Handle Assembly (continued)

<i>Ref.</i>	<i>Part Number</i>	<i>Qty.</i>	<i>Description</i>	<i>Ref.</i>	<i>Part Number</i>	<i>Qty.</i>	<i>Description</i>
1	125-1015-03	1	Handle	10	125-8437-03	1	Bail-Traction
2	3230-4	2	Screw-CARR	11	125-8436-03	1	Bail-Brake
3	104-8300	4	Nut-Flange, NI	12	94-2691	1	Screw-HWH
4	115-1794	2	Screw-HHF	13	125-8404	1	Decal-Primer
5	114-2775	1	Guide-Rope	14	127-6897-03	1	Guard-Cable, Handle
6	104-7201	2	Nut-HF	15	108-0988	2	Screw-CARR
7	92-2270	1	Screw-Handle	16	114-3778	2	Nut-Lock, NI
8	125-8371	1	Cable-Brake	17	131-0822	1	Decal
9	125-8372	1	Cable-Traction				

# Attachments and Accessories

## For 22291 53cm Heavy-Duty Recycler/Rear Bagger Lawn Mower

**Product Name**

**Model/Part**

Cup-Anti Scalp..... 125-8440



**Notes:**

**Notes:**

**Notes:**



**Count on it.**