



Count on it.

Parts Catalog

Powervac Gas-Powered Blower

Model No. 51988—Serial No. 315000001 and Up



Ordering Replacement Parts

To order replacement parts, please supply the part number, the quantity, and the description of each part desired.

Understanding Reference Numbers

Each identified part in an illustration has a reference number. The reference number for a part also appears in the parts list, along with other information about the part.

This catalog uses two special reference number formats, one to indicate parts in a service assembly and another to indicate the quantity of a given part in an illustration.

Service Assembly Reference Numbers

Parts in service assemblies have reference numbers in the form a:b. The a represents the reference number of the entire service assembly and the b represents a sequential number unique to each part within the service assembly.

For example, a wheel assembly might be identified by reference number 6, the tire by 6:1, the valve by 6:2, and the wheel by 6:3. When you order the assembly identified by reference number 6, you receive all parts identified by reference numbers 6:1, 6:2, and 6:3. However, you may also order any part individually. Reference numbers of this type appear in illustration and in parts lists.

Reference Numbers Indicating Quantity

In an illustration, if a reference number indicates more than one part, the reference number has the form nX y. The n represents the quantity of the part, the X is the multiplication symbol, and the y represents the reference number.

For example, in an illustration, the reference number 2X 37 means that two of the parts identified by reference number 37 are indicated.

List of Abbreviations

AR: as required

ASM: assembly

BBC: blade brake control

BHTF: button head thread forming

CARR: carriage

CCW: counter clockwise

CW: clockwise

DEG: degrees

DPA: Dual Point Adjustment

ECM: electronic control module

EXT: external

FH: flat head

GA: gauge

HD: heavy-duty

HF: hex flange

HH: hex head

HHF: hex head flange

HHFTF: hex head flange thread forming

HJ: hex jam

HLH: hex lag head

HOC: height-of-cut

HP: high pressure

HSBH: hex socket button head

HSFH: hex socket flat head

HSH: hex socket head

HWH: hex washer head

HWHTF: hex washer head thread forming

HYD: hydraulic

LH: left hand

LP: low pressure

LPG: Liquefied Petroleum Gas

NI: nylon insert

NPTF: national pipe thread fine

PFH: phillips flat head

PPH: phillips pan head

PPHTF: phillips pan head thread forming

PRH: phillips round head

PTH: phillips truss head

PTO: power-take-off

RH: right hand

ROPS: roll-over protection system

RRB: rear roller brush

SFH: slotted fillister head

SHH: slotted hex head

SHWH: slotted hex washer head

SPH: slotted pan head

SQH: square head

SRH: slotted round head

STD: standard

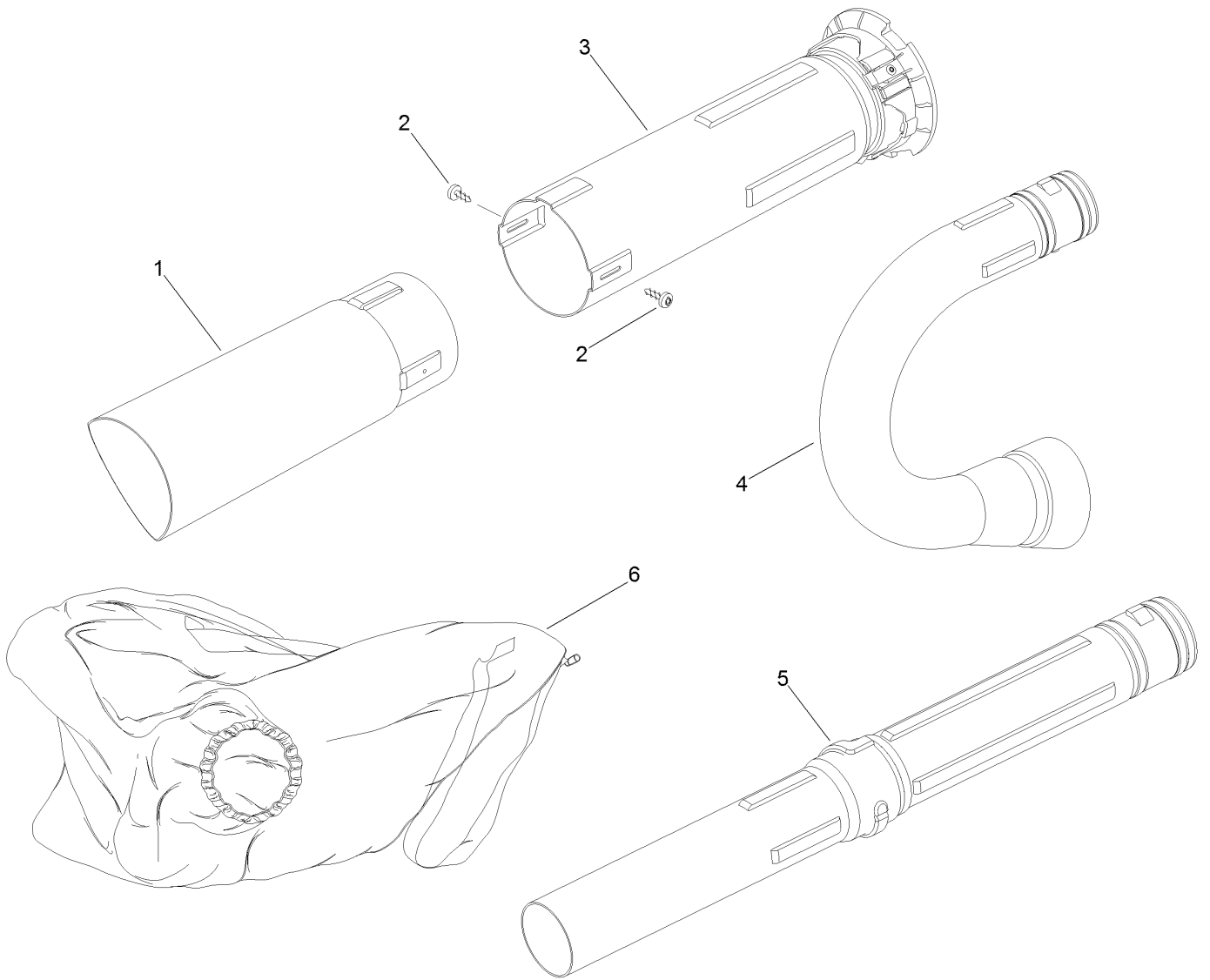
TAP: self tapping

TTH: torx truss head

Contents

Main Blower Assembly 4
Engine and Housing Assembly 6
Engine Component Assembly No. 307346001 8
Attachments and Accessories 10

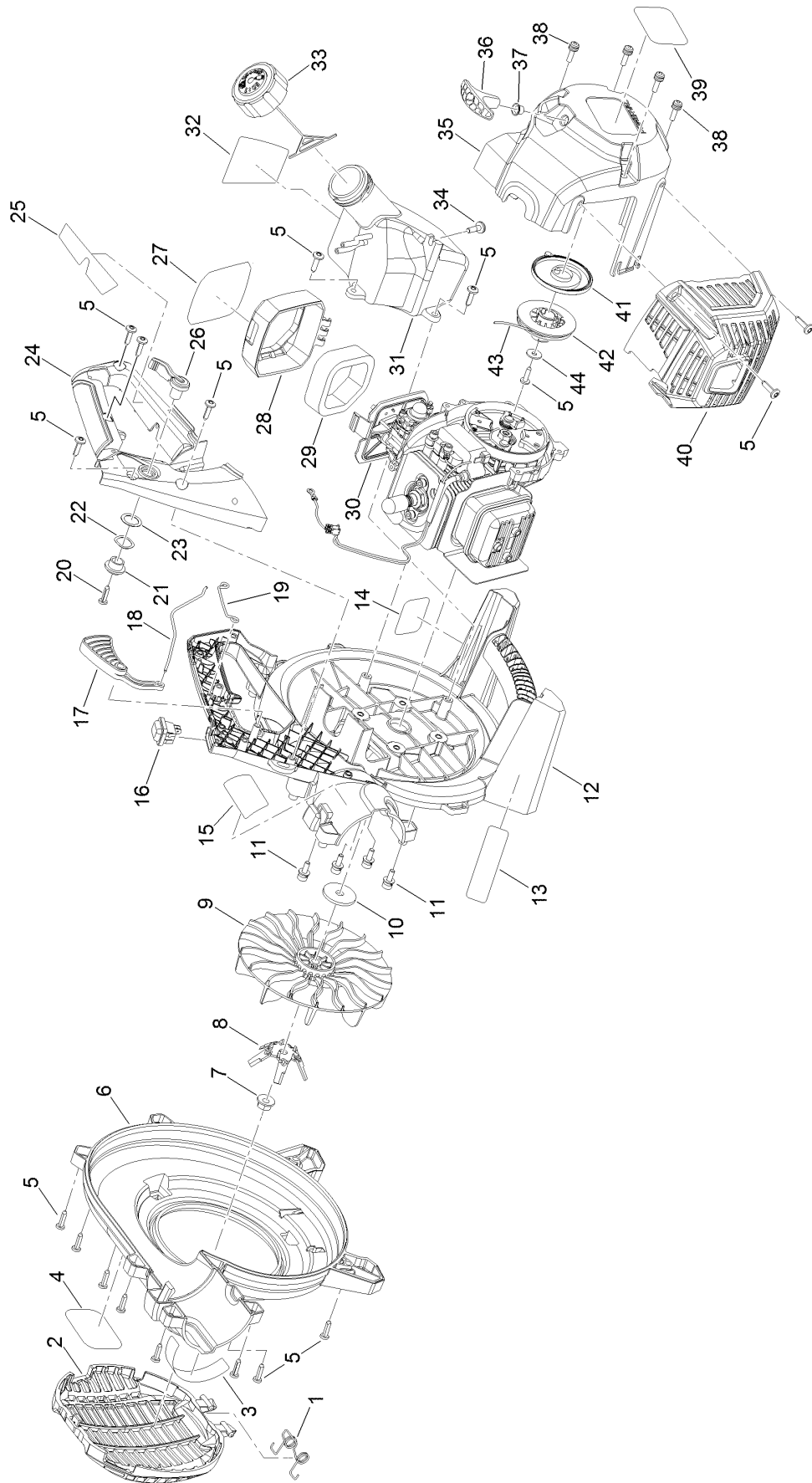
Main Blower Assembly



Main Blower Assembly (continued)

<i>Ref.</i>	<i>Part Number</i>	<i>Qty.</i>	<i>Description</i>	<i>Ref.</i>	<i>Part Number</i>	<i>Qty.</i>	<i>Description</i>
1	580955001	1	Tube-Vacuum, Lower	4	580956001	1	Tube-Adaptor, Vacuum Bag
2	660621001	2	Screw-Tube, Vacuum	5	360015001	1	Blower Tube ASM
3	311954001	1	Tube-Vacuum, Upper	6	900960001	1	Bag-Vacuum

Engine and Housing Assembly



Engine and Housing Assembly (continued)

<i>Ref.</i>	<i>Part Number</i>	<i>Qty.</i>	<i>Description</i>	<i>Ref.</i>	<i>Part Number</i>	<i>Qty.</i>	<i>Description</i>
1	694143002	1	Hinge-Spring, Vacuum Door	23	631049004	1	Washer
2	527987001	1	Door-Vacuum	24	203384001	1	Handle Cover ASM
3	941727006	1	Decal-Warning Icon	25	941727005	1	Decal-Warning Strip Icon
4	940907028	1	Decal-Logo, Right	26	527985001	1	Lever-Control, Cruise
5	660629005	17	Screw	27	940908003	1	Decal-Starting Instructions
6	203383001	1	Outer Volute ASM	28	203385001	1	Air Box Cover ASM
7	678018001	1	Nut-Lock, Flange	29	560873001	1	Element
8	678114004	1	Blade-Mulching	30	307346001	1	Power Head ASM
9	527982001	1	Fan-Blower	31	203381001	1	Fuel Tank ASM
10	638125008	1	Washer	32	940991054	1	Decal-E85
11	660351001	4	Screw-Pan HD	33	310816015	1	Cap-Fuel
12	203382001	1	Engine Shroud ASM	34	662274001	1	Screw
13	940654088	1	Label-Combustion	35	310000001	1	Starter Housing ASM
14	940907027	1	Decal-Rear Logo	36	525485008	1	Grip-Starter
15	941727009	1	Decal-Tube Removal	37	638088002	1	Eyelet
16	760961005	1	Switch-On/Off	38	660344001	4	Screw-Pan HD
17	527926001	1	Lever-Throttle	39	940907029	1	Decal-Logo Left
18	308209004	1	Throttle Cable ASM	40	527925001	1	Cover-Muffler
19	290469001	1	Wire-Ground	41	638033001	1	Spring Housing ASM
20	660629002	1	Screw	42	527983001	1	Pulley-Starter
21	527986001	1	Trigger-Activator, Throttle	43	900849012	1	Rope-Starter
22	632423001	1	Washer-Wave	44	678587001	1	Washer

Engine Component Assembly No. 307346001 (continued)

<i>Ref.</i>	<i>Part Number</i>	<i>Qty.</i>	<i>Description</i>	<i>Ref.</i>	<i>Part Number</i>	<i>Qty.</i>	<i>Description</i>
1	690689001	1	Nut-Rotor	13	640570034	1	Cylinder
2	307201002	1	Flywheel ASM	14	630002021	1	Plate-Cylinder
3	307366001	1	Crankcase/Piston ASM	15	660351002	2	Screw-Pan Head, Torx
4	900709005	1	Gasket	16	660342001	2	Screw-Socket Head
5	291388001	1	Harness-Wire	17	870174001	1	Sparkplug
6	660349001	2	Screw-Pan HD	18	562927008	1	Gasket-Cylinder
7	290178029	1	Module-Ignition	19	528049001	1	Plate-Heat Sink
8	690969001	2	Washer	20	662163001	2	Screw
9	590462001	2	Spacer	21	900711015	1	Gasket-Carburetor
10	639243002	1	Gasket-Muffler	22	308480002	1	Carburetor ASM
11	300748042	1	Muffler ASM	23	310997003	1	Air Box Cover ASM
12	662169001	2	Screw	24	660347003	2	Screw

Attachments and Accessories

For 51988 Powervac Gas-Powered Blower

Product Name

Model/Part

High Altitude Kit 120900226

Notes:



Count on it.