



**Count on it.**

**Parts Catalog**

**Powervac Gas-Powered Blower**

Model No. 51988—Serial No. 315000001 and Up



# Ordering Replacement Parts

To order replacement parts, please supply the part number, the quantity, and the description of each part desired.

## Understanding Reference Numbers

Each identified part in an illustration has a reference number. The reference number for a part also appears in the parts list, along with other information about the part.

This catalog uses two special reference number formats, one to indicate parts in a service assembly and another to indicate the quantity of a given part in an illustration.

## Service Assembly Reference Numbers

Parts in service assemblies have reference numbers in the form a:b. The a represents the reference number of the entire service assembly and the b represents a sequential number unique to each part within the service assembly.

For example, a wheel assembly might be identified by reference number 6, the tire by 6:1, the valve by 6:2, and the wheel by 6:3. When you order the assembly identified by reference number 6, you receive all parts identified by reference numbers 6:1, 6:2, and 6:3. However, you may also order any part individually. Reference numbers of this type appear in illustration and in parts lists.

## Reference Numbers Indicating Quantity

In an illustration, if a reference number indicates more than one part, the reference number has the form nX y. The n represents the quantity of the part, the X is the multiplication symbol, and the y represents the reference number.

For example, in an illustration, the reference number 2X 37 means that two of the parts identified by reference number 37 are indicated.

# List of Abbreviations

**AR:** as required

**ASM:** assembly

**BBC:** blade brake control

**BHTF:** button head thread forming

**CARR:** carriage

**CCW:** counter clockwise

**CW:** clockwise

**DEG:** degrees

**DPA:** Dual Point Adjustment

**ECM:** electronic control module

**EXT:** external

**FH:** flat head

**GA:** gauge

**HD:** heavy-duty

**HF:** hex flange

**HH:** hex head

**HHF:** hex head flange

**HHFTF:** hex head flange thread forming

**HJ:** hex jam

**HLH:** hex lag head

**HOC:** height-of-cut

**HP:** high pressure

**HSBH:** hex socket button head

**HSFH:** hex socket flat head

**HSH:** hex socket head

**HWH:** hex washer head

**HWHTF:** hex washer head thread forming

**HYD:** hydraulic

**LH:** left hand

**LP:** low pressure

**LPG:** Liquefied Petroleum Gas

**NI:** nylon insert

**NPTF:** national pipe thread fine

**PFH:** phillips flat head

**PPH:** phillips pan head

**PPHTF:** phillips pan head thread forming

**PRH:** phillips round head

**PTH:** phillips truss head

**PTO:** power-take-off

**RH:** right hand

**ROPS:** roll-over protection system

**RRB:** rear roller brush

**SFH:** slotted fillister head

**SHH:** slotted hex head

**SHWH:** slotted hex washer head

**SPH:** slotted pan head

**SQH:** square head

**SRH:** slotted round head

**STD:** standard

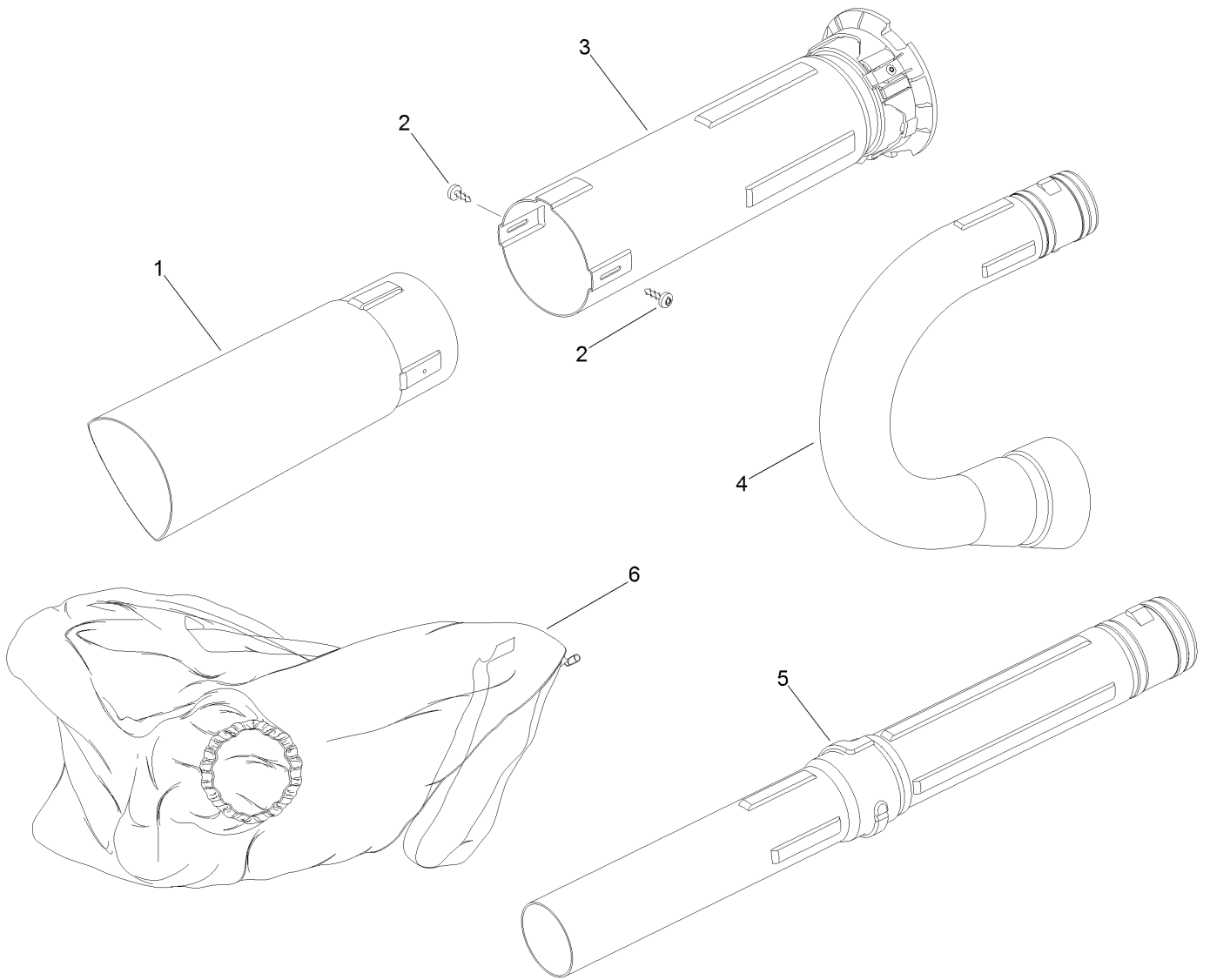
**TAP:** self tapping

**TTH:** torx truss head

# Contents

- Main Blower Assembly ..... 4
- Engine and Housing Assembly ..... 6
- Engine Component Assembly No. 307346001 ..... 8
- Attachments and Accessories ..... 10

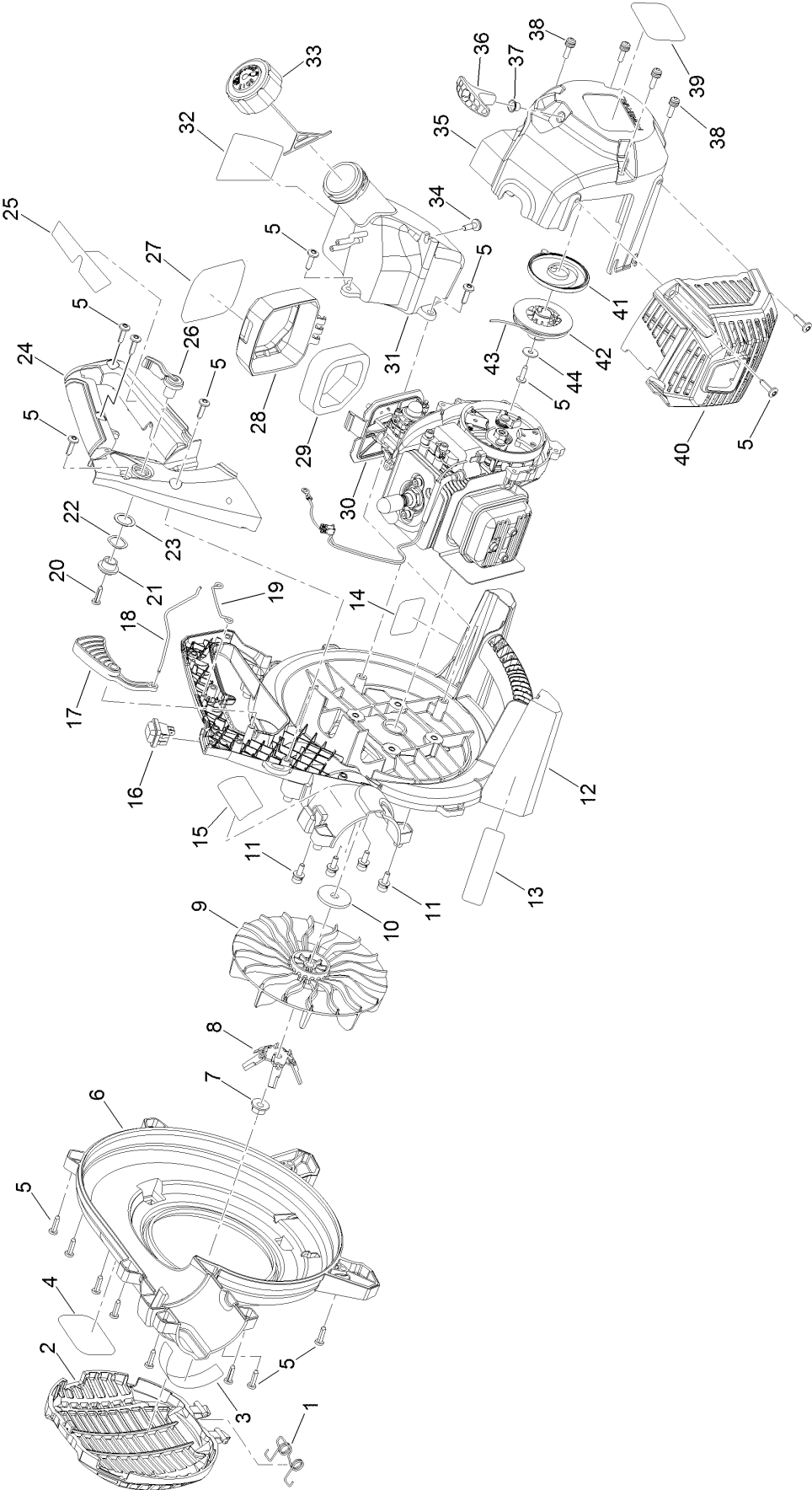
# Main Blower Assembly



## Main Blower Assembly (continued)

<i>Ref.</i>	<i>Part Number</i>	<i>Qty.</i>	<i>Description</i>	<i>Ref.</i>	<i>Part Number</i>	<i>Qty.</i>	<i>Description</i>
1	580955001	1	Tube-Vacuum, Lower	4	580956001	1	Tube-Adaptor, Vacuum Bag
2	660621001	2	Screw-Tube, Vacuum	5	360015001	1	Blower Tube ASM
3	311954001	1	Tube-Vacuum, Upper	6	900960001	1	Bag-Vacuum

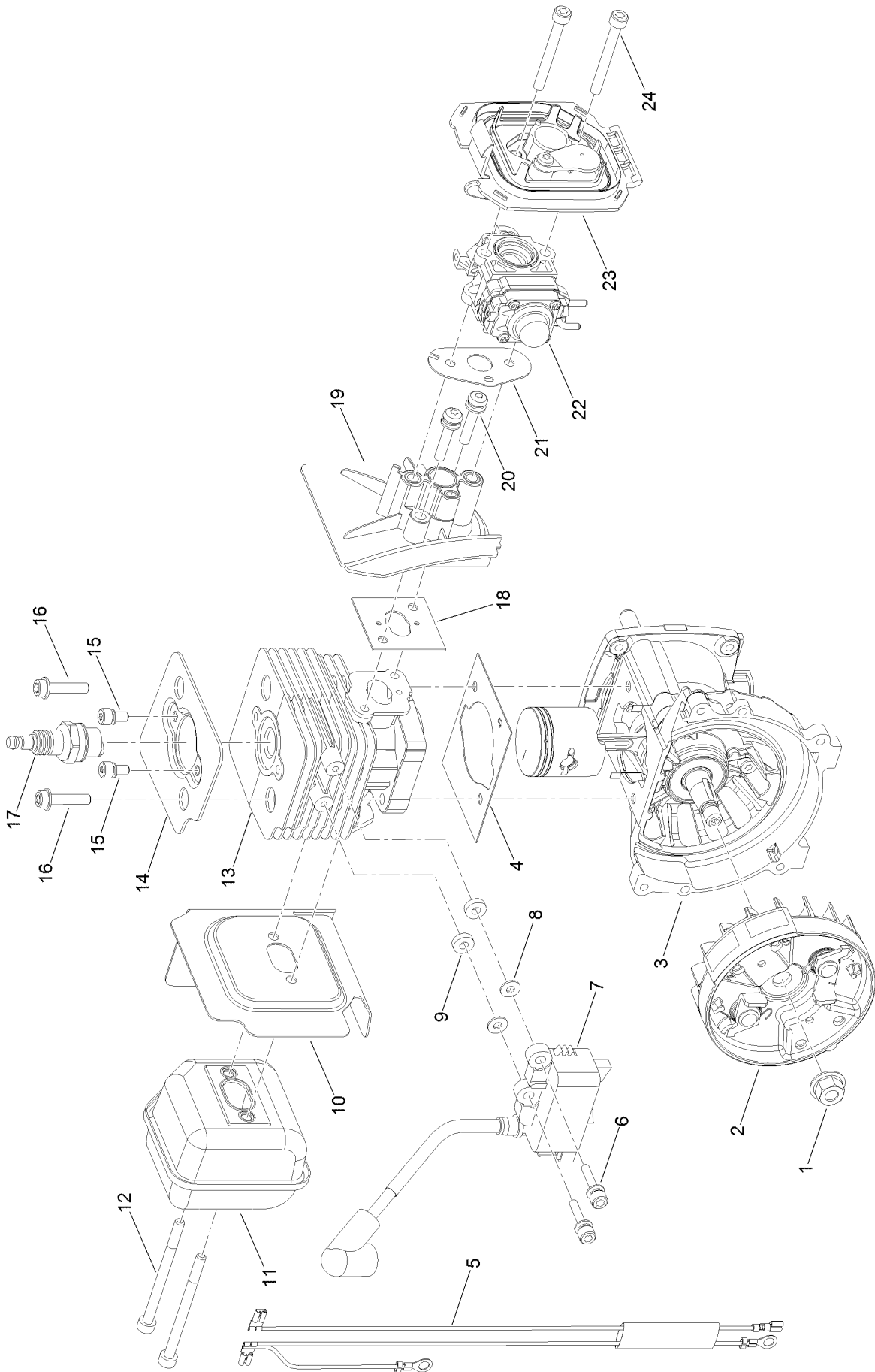
# Engine and Housing Assembly



## Engine and Housing Assembly (continued)

<i>Ref.</i>	<i>Part Number</i>	<i>Qty.</i>	<i>Description</i>	<i>Ref.</i>	<i>Part Number</i>	<i>Qty.</i>	<i>Description</i>
1	694143002	1	Hinge-Spring, Vacuum Door	23	631049004	1	Washer
2	527987001	1	Door-Vacuum	24	203384001	1	Handle Cover ASM
3	941727006	1	Decal-Warning Icon	25	941727005	1	Decal-Warning Strip Icon
4	940907028	1	Decal-Logo, Right	26	527985001	1	Lever-Control, Cruise
5	660629005	17	Screw	27	940908003	1	Decal-Starting Instructions
6	203383001	1	Outer Volute ASM	28	203385001	1	Air Box Cover ASM
7	678018001	1	Nut-Lock, Flange	29	560873001	1	Element
8	678114004	1	Blade-Mulching	30	307346001	1	Power Head ASM
9	527982001	1	Fan-Blower	31	203381001	1	Fuel Tank ASM
10	638125008	1	Washer	32	940991054	1	Decal-E85
11	660351001	4	Screw-Pan HD	33	310816015	1	Cap-Fuel
12	203382001	1	Engine Shroud ASM	34	662274001	1	Screw
13	940654088	1	Label-Combustion	35	310000001	1	Starter Housing ASM
14	940907027	1	Decal-Rear Logo	36	525485008	1	Grip-Starter
15	941727009	1	Decal-Tube Removal	37	638088002	1	Eyelet
16	760961005	1	Switch-On/Off	38	660344001	4	Screw-Pan HD
17	527926001	1	Lever-Throttle	39	940907029	1	Decal-Logo Left
18	308209004	1	Throttle Cable ASM	40	527925001	1	Cover-Muffler
19	290469001	1	Wire-Ground	41	638033001	1	Spring Housing ASM
20	660629002	1	Screw	42	527983001	1	Pulley-Starter
21	527986001	1	Trigger-Activator, Throttle	43	900849012	1	Rope-Starter
22	632423001	1	Washer-Wave	44	678587001	1	Washer

# Engine Component Assembly No. 307346001





# Engine Component Assembly No. 307346001 (continued)

<i>Ref.</i>	<i>Part Number</i>	<i>Qty.</i>	<i>Description</i>	<i>Ref.</i>	<i>Part Number</i>	<i>Qty.</i>	<i>Description</i>
1	690689001	1	Nut-Rotor	13	640570034	1	Cylinder
2	307201002	1	Flywheel ASM	14	630002021	1	Plate-Cylinder
3	307366001	1	Crankcase/Piston ASM	15	660351002	2	Screw-Pan Head, Torx
4	900709005	1	Gasket	16	660342001	2	Screw-Socket Head
5	291388001	1	Harness-Wire	17	870174001	1	Sparkplug
6	660349001	2	Screw-Pan HD	18	562927008	1	Gasket-Cylinder
7	290178029	1	Module-Ignition	19	528049001	1	Plate-Heat Sink
8	690969001	2	Washer	20	662163001	2	Screw
9	590462001	2	Spacer	21	900711015	1	Gasket-Carburetor
10	639243002	1	Gasket-Muffler	22	308480002	1	Carburetor ASM
11	300748042	1	Muffler ASM	23	310997003	1	Air Box Cover ASM
12	662169001	2	Screw	24	660347003	2	Screw

# Attachments and Accessories

## For 51988 Powervac Gas-Powered Blower

**Product Name**

**Model/Part**

High Altitude Kit ..... 120900226

**Notes:**



**Count on it.**