



**Count on it.**

**Parts Catalog**

**Greensmaster® eFlex® 1800  
Traction Unit**

Model No. 04043—Serial No. 315000001 and Up



# Ordering Replacement Parts

To order replacement parts, please supply the part number, the quantity, and the description of each part desired.

## Understanding Reference Numbers

Each identified part in an illustration has a reference number. The reference number for a part also appears in the parts list, along with other information about the part.

This catalog uses two special reference number formats, one to indicate parts in a service assembly and another to indicate the quantity of a given part in an illustration.

## Service Assembly Reference Numbers

Parts in service assemblies have reference numbers in the form a:b. The a represents the reference number of the entire service assembly and the b represents a sequential number unique to each part within the service assembly.

For example, a wheel assembly might be identified by reference number 6, the tire by 6:1, the valve by 6:2, and the wheel by 6:3. When you order the assembly identified by reference number 6, you receive all parts identified by reference numbers 6:1, 6:2, and 6:3. However, you may also order any part individually. Reference numbers of this type appear in illustration and in parts lists.

## Reference Numbers Indicating Quantity

In an illustration, if a reference number indicates more than one part, the reference number has the form nX y. The n represents the quantity of the part, the X is the multiplication symbol, and the y represents the reference number.

For example, in an illustration, the reference number 2X 37 means that two of the parts identified by reference number 37 are indicated.

# List of Abbreviations

**AR:** as required

**ASM:** assembly

**BBC:** blade brake control

**BHTF:** button head thread forming

**CARR:** carriage

**CCW:** counter clockwise

**CW:** clockwise

**DEG:** degrees

**DPA:** Dual Point Adjustment

**ECM:** electronic control module

**EXT:** external

**FH:** flat head

**GA:** gauge

**HD:** heavy-duty

**HF:** hex flange

**HH:** hex head

**HHF:** hex head flange

**HHFTF:** hex head flange thread forming

**HJ:** hex jam

**HLH:** hex lag head

**HOC:** height-of-cut

**HP:** high pressure

**HSBH:** hex socket button head

**HSFH:** hex socket flat head

**HSH:** hex socket head

**HWH:** hex washer head

**HWHTF:** hex washer head thread forming

**HYD:** hydraulic

**LH:** left hand

**LP:** low pressure

**LPG:** Liquefied Petroleum Gas

**NI:** nylon insert

**NPTF:** national pipe thread fine

**PFH:** phillips flat head

**PPH:** phillips pan head

**PPHTF:** phillips pan head thread forming

**PRH:** phillips round head

**PTH:** phillips truss head

**PTO:** power-take-off

**RH:** right hand

**ROPS:** roll-over protection system

**RRB:** rear roller brush

**SFH:** slotted fillister head

**SHH:** slotted hex head

**SHWH:** slotted hex washer head

**SPH:** slotted pan head

**SQH:** square head

**SRH:** slotted round head

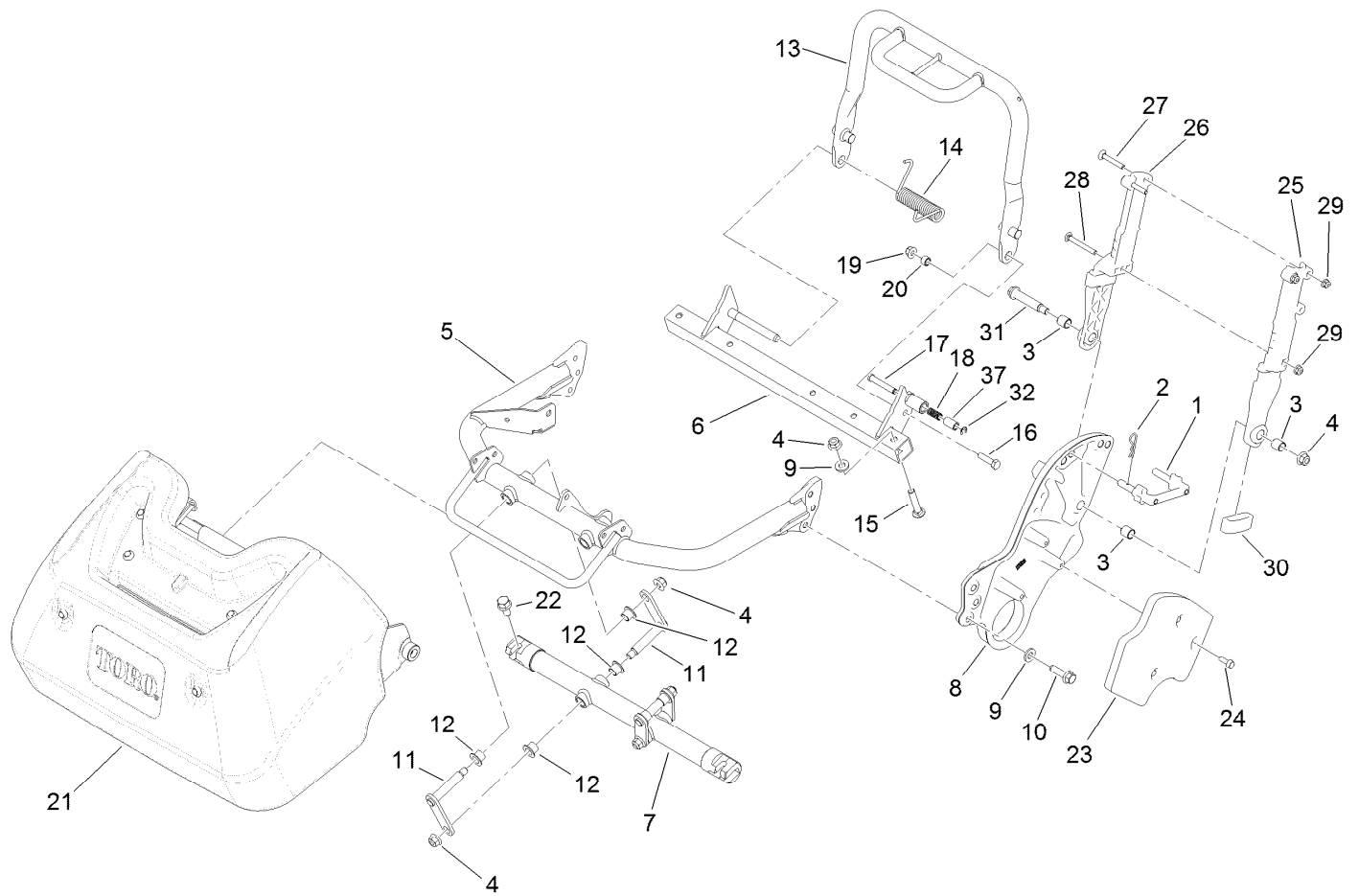
**STD:** standard

**TAP:** self tapping

**TTH:** torx truss head

# Contents

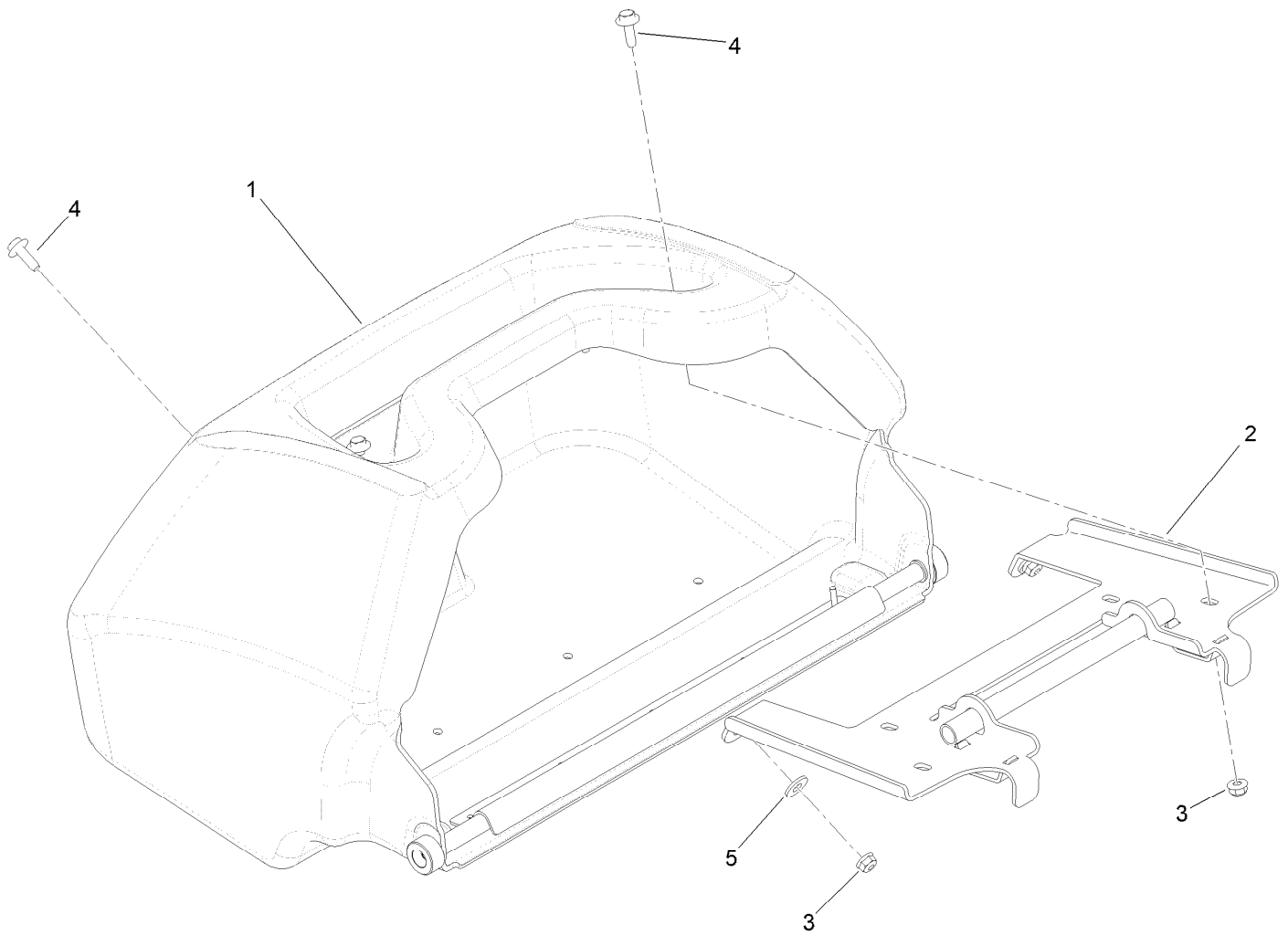
Frame and Handle Mount Assembly .....	4
Grass Basket Assembly .....	5
Basket Assembly No. 130-6750 .....	6
Left Side Transmission Assembly .....	7
Right Side Transmission Assembly .....	8
Motor Adapter Assembly .....	9
Differential and Traction Drum Assembly .....	10
Differential Assembly No. 115-6711 .....	11
Drum Drive Assembly .....	12
Motor Installation Assembly .....	13
Electric Motor Assembly No. 120-4501 .....	14
Electric Motor Assembly .....	15
Shift Lever Assembly .....	16
Handle Assembly .....	17
Throttle and Console Assembly .....	18
Battery Base and Controller Assembly .....	19
Wire Harness Assembly .....	20
Miscellaneous Parts Assembly .....	21
Charger Assembly No. 121-4674 .....	22
Attachments and Accessories .....	23



## Frame and Handle Mount Assembly

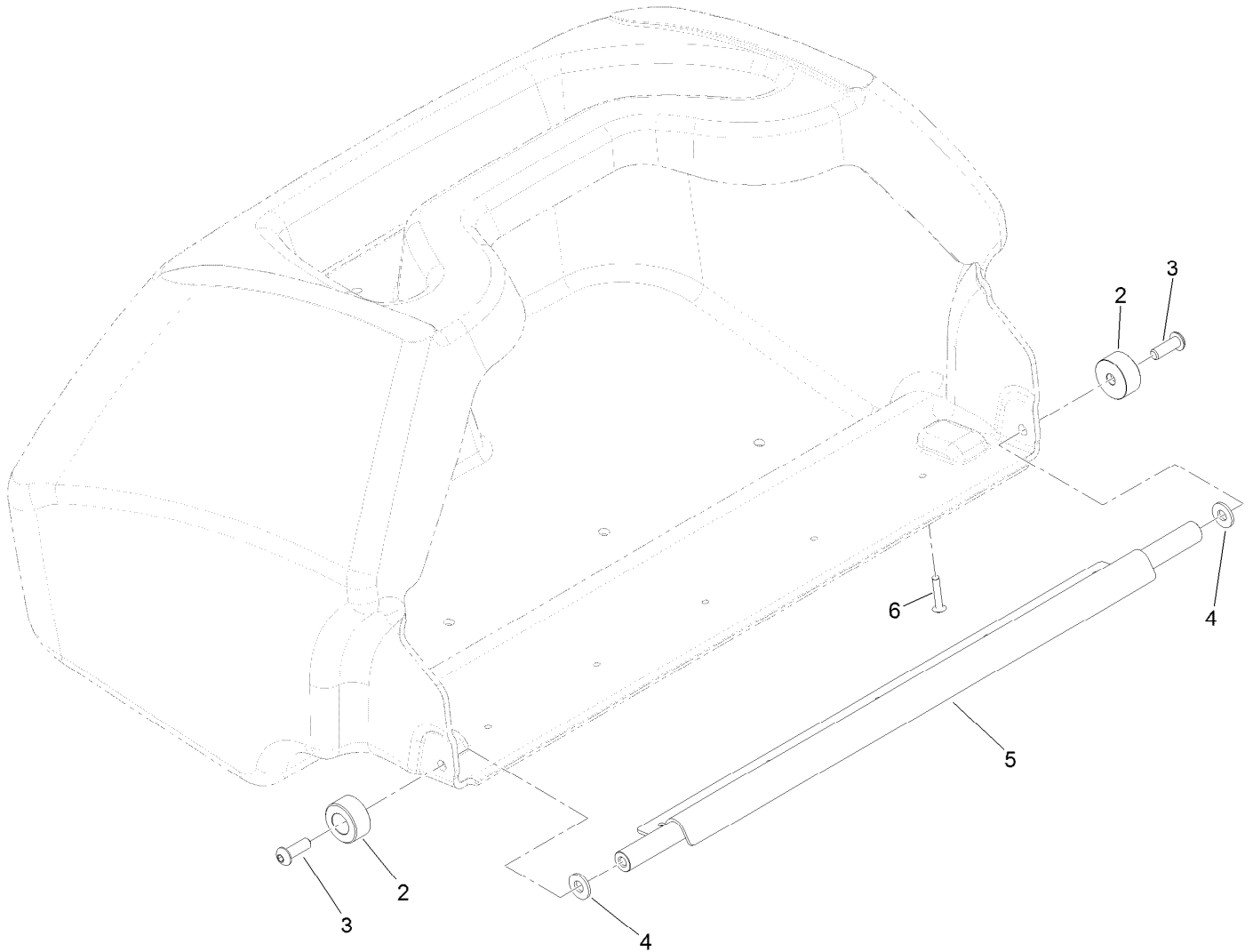
Ref.	Part Number	Qty.	Description	Ref.	Part Number	Qty.	Description
1	120-9241	2	Retainer-Handle	18	107-8885	1	Spring-Compression
2	120-9717	2	Pin-Hair	19	119-4041	1	Nut-Flange, NI
3	115-7295	5	Bushing-Straight	20	120-9697	1	Spacer
4	119-4042	8	Nut-Flange, NI	21		1	Grass Basket ASM ●
5	120-9723-01	1	Frame	22	115-7108	2	Screw-HHF
6	115-7179-01	1	Frame-Rear	23	115-7234-03	1	Weight-Counter
7	120-9720-01	1	Frame-Roll	24	131-6150	3	Screw-HWHTF
8	115-7160	1	Plate-Side, LH	25	125-3522	2	Clamp-Handle
9	115-7293	8	Washer-Hardened	26	125-3524	2	Clamp-Handle, Offset
10	115-7024	6	Screw-HHF	27	120-9698	4	Screw-CARR
11	117-1396	4	Link	28	120-9699	2	Screw-CARR
12	125-5239	8	Bushing-Flange	29	119-4040	6	Nut-Flange, NI
13	121-4623-03	1	Kickstand	30	125-3525	4	Bumper-Handle
14	115-7258	1	Spring-Torsion, RH	31	127-1510	2	Screw-Shoulder
15	120-9715	2	Screw-CARR	32	701197	1	E-Ring
16	120-9696	1	Screw-HH	37	120-9740	1	Spacer
17	120-9739	1	Pin-Lock				

● Not serviced separately



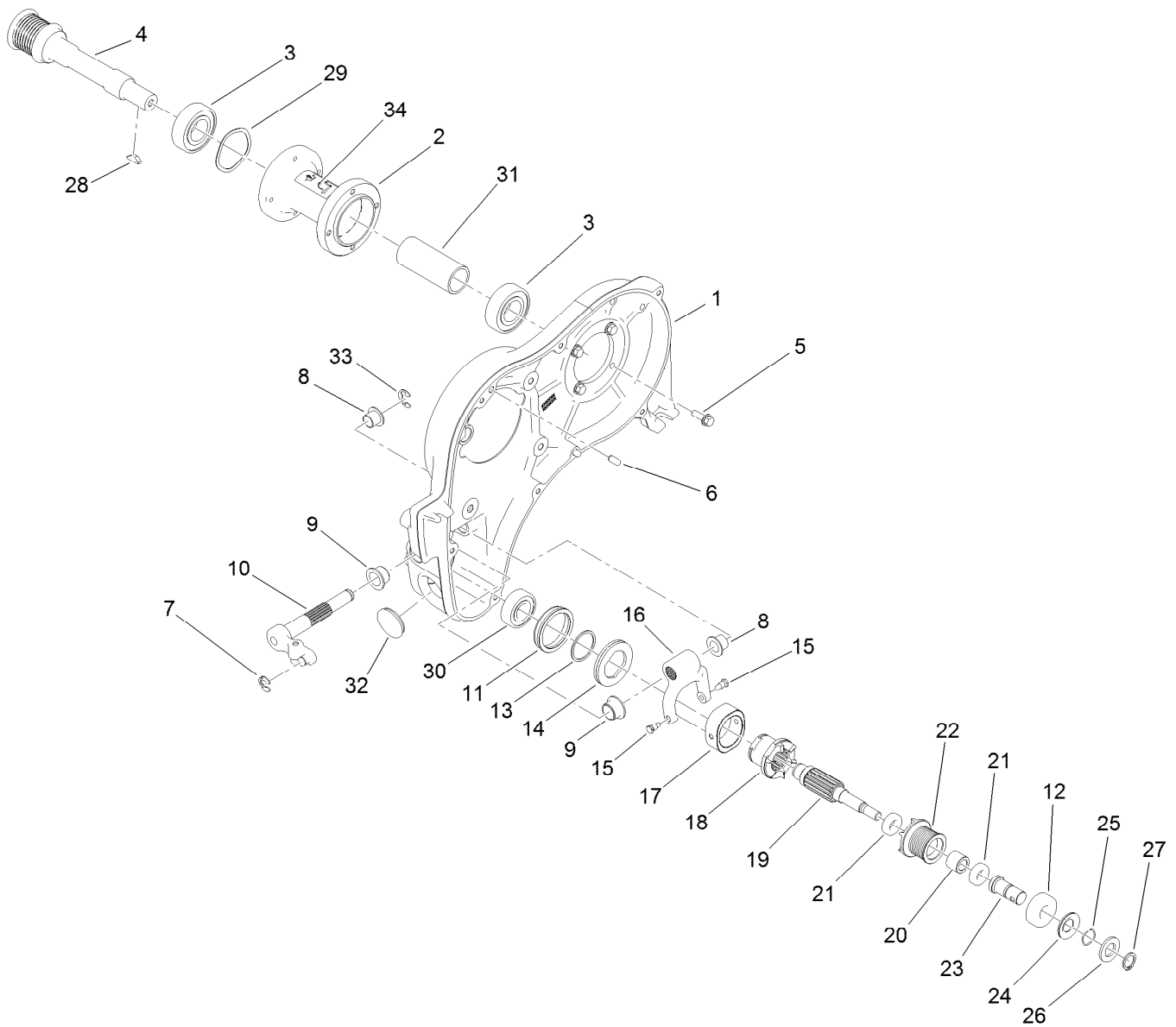
## Grass Basket Assembly

<i>Ref.</i>	<i>Part Number</i>	<i>Qty.</i>	<i>Description</i>
1	130-6750	1	Basket ASM
2	125-3546-03	1	Bracket-Basket
3	119-4040	6	Nut-Flange, NI
4	119-4012	6	Screw-HWHTF
5	120-9646	2	Washer-Flat



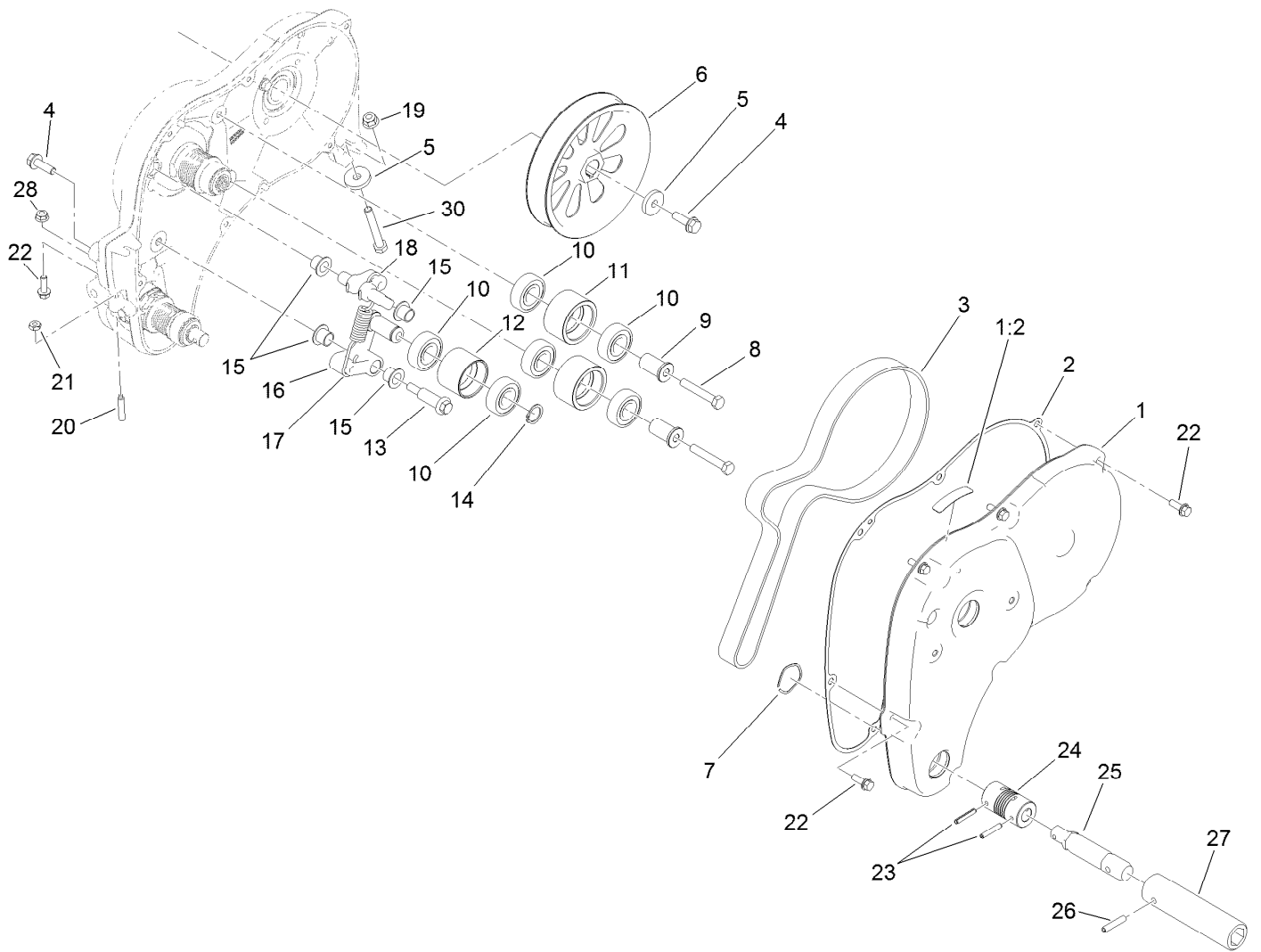
## Basket Assembly No. 130-6750

<i>Ref.</i>	<i>Part Number</i>	<i>Qty.</i>	<i>Description</i>
2	121-4730	2	Bumper-Basket
3	3274-69	2	Screw-HSBH
4	120-9679	2	Washer-Flat
5	130-6752	1	Channel
6	3290-382	5	Rivet-Pop



## Left Side Transmission Assembly

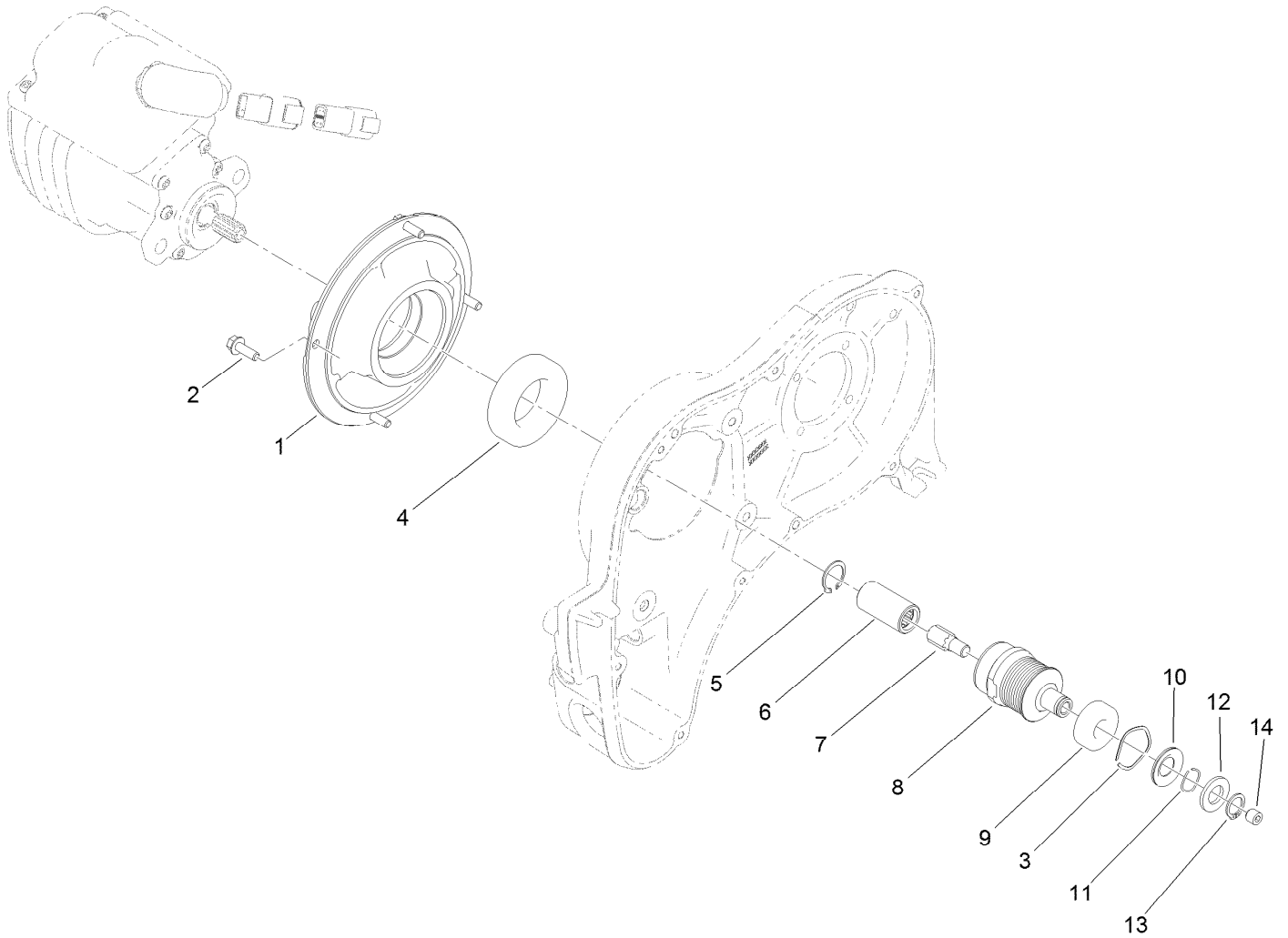
<i>Ref.</i>	<i>Part Number</i>	<i>Qty.</i>	<i>Description</i>	<i>Ref.</i>	<i>Part Number</i>	<i>Qty.</i>	<i>Description</i>
1	115-7150	1	Housing-Transmission	18	115-7127	1	Hub-Drive, Reel
2	120-9749	1	Housing-Extension	19	115-7138	1	Shaft-Clutch
3	251-82	2	Bearing-Ball	20	115-7222	1	Spacer
4	115-7189	1	Pulley-Driven	21	115-6870	2	Bearing-Ball, Sealed
5	119-1138	4	Screw-HWH	22	115-7139	1	Pulley-Clutch, Reel
6	95-0715	2	Pin-Dowel	23	115-6811	1	Collar-Bearing
7	32151-47	1	Ring-Retaining	24	115-6923	1	Shield-Bearing, Flocked
8	125-5239	2	Bushing-Flange	25	115-7143	1	Spring-Wave
9	108-2973	2	Bushing-Flange	26	115-7144	1	Washer-Flat
10	115-7126	1	Lever-Clutch, Reel	27	115-6755	1	Ring-Retaining
11	115-7131	1	Ring-Brake, Reel	28	3257-30	1	Key-Woodruff
12	115-6869	1	Bearing-Ball, Stainless	29	3290-485	1	Washer-Wave
13	115-7243	1	Ring-Retaining, EXT	30	38-7820	1	Bearing-Ball
14	115-7130	1	Disc-Brake, Reel	31	115-7251	1	Spacer
15	115-7123	2	Pin-Pivot, Clutch	32	115-7288	1	Plug
16	115-7124	1	Fork-Clutch, Reel	33	32120-47	1	Ring-Retaining, External
17	115-7125	1	Hub-Clutch, Reel	34	120-9571	1	Decal-Release, Traction



## Right Side Transmission Assembly

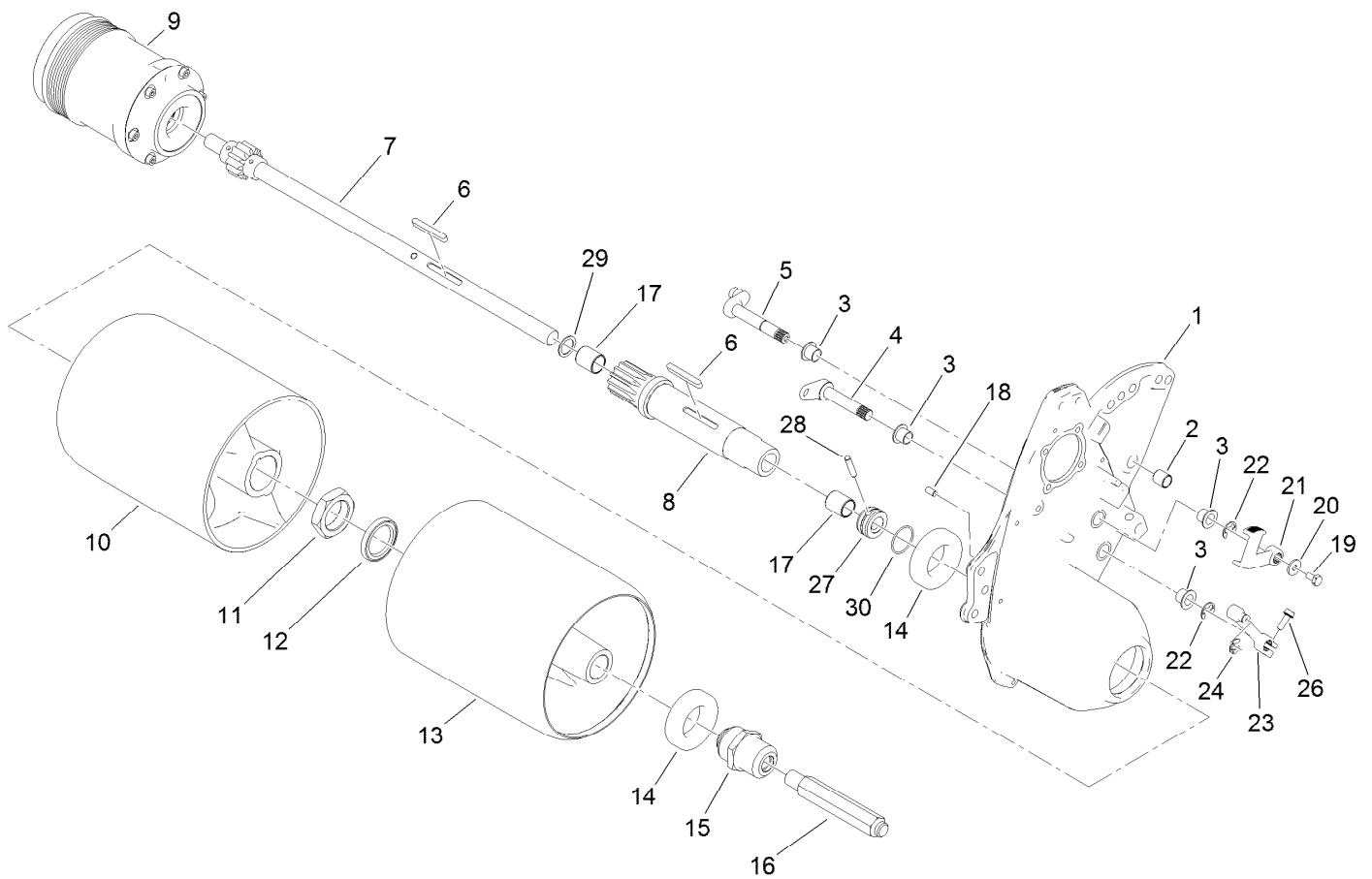
<i>Ref.</i>	<i>Part Number</i>	<i>Qty.</i>	<i>Description</i>
1	120-9597	1	Transmission Cover ASM
1:2	120-9570	1	Decal-Warning
2	115-7140	1	Gasket-Housing, Main
3	115-6743	1	Belt-Drive, Main
4	115-5142	2	Screw-HHF
5	115-7292	2	Washer-Hardened
6	115-7285	1	Pulley-Driven
7	115-7209	1	Washer-Wave
8	120-9686	2	Screw-HH
9	115-7129	2	Bushing-Pulley, Idler
10	38-7820	6	Bearing-Ball
11	115-6873	2	Pulley-Idler
12	115-7133	1	Pulley-Idler
13	127-1509	1	Screw-Shoulder
14	32151-12	1	Ring-Retaining

<i>Ref.</i>	<i>Part Number</i>	<i>Qty.</i>	<i>Description</i>
15	125-5239	4	Bushing-Flange
16	115-6847	1	Idler-Drive, Main
17	115-6842	1	Spring-Extension
18	115-7128	1	Lever-Spring
19	119-4041	1	Nut-Flange, NI
20	1239	1	Setscrew
21	120-9695	1	Nut-Jam
22	119-1138	8	Screw-HWH
23	119-4033	2	Pin-Spring
24	130-9410	1	Coupling-Flex, 2 Beam
25	125-3541	1	Shaft-Hex
26	125-3542	1	Pin-Spring
27	110-2390	1	Tube-Hex
28	119-4040	1	Nut-Flange, NI
30	120-9738	1	Screw-HH



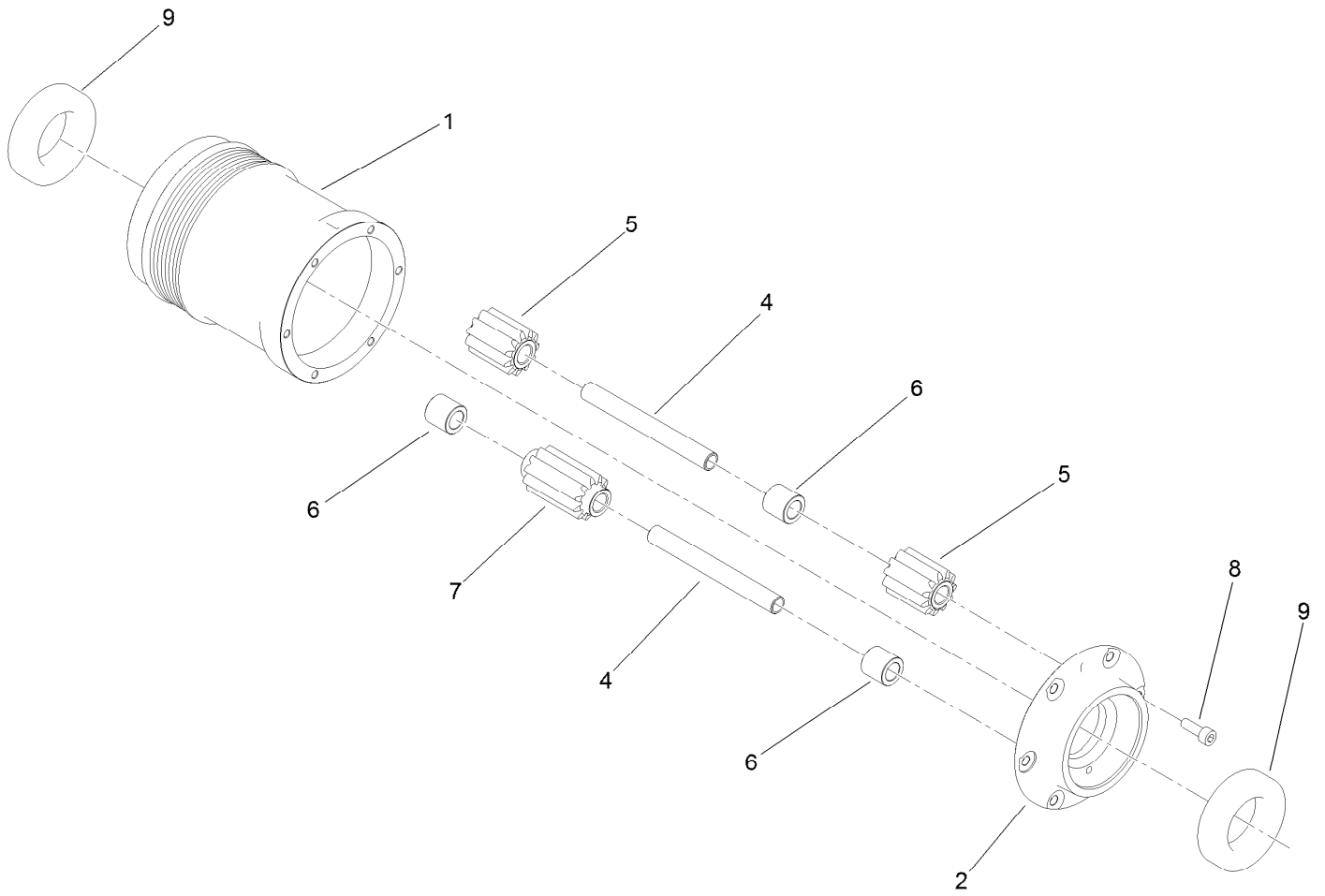
## Motor Adapter Assembly

<i>Ref.</i>	<i>Part Number</i>	<i>Qty.</i>	<i>Description</i>
1	115-7166	1	Adapter-Motor
2	119-1138	4	Screw-HWH
3	115-7209	1	Washer-Wave
4	251-310	1	Bearing-Ball
5	105-5775	1	Ring-Retaining
6	94-4507	1	Coupler-Splined
7	115-7164	1	Spline-Drive
8	115-7163	1	Pulley-Driver
9	115-6869	1	Bearing-Ball, Stainless
10	115-6923	1	Shield-Bearing, Flocked
11	115-7143	1	Spring-Wave
12	115-7144	1	Washer-Flat
13	115-6755	1	Ring-Retaining
14	99-0195	1	Screw-Set, HSH



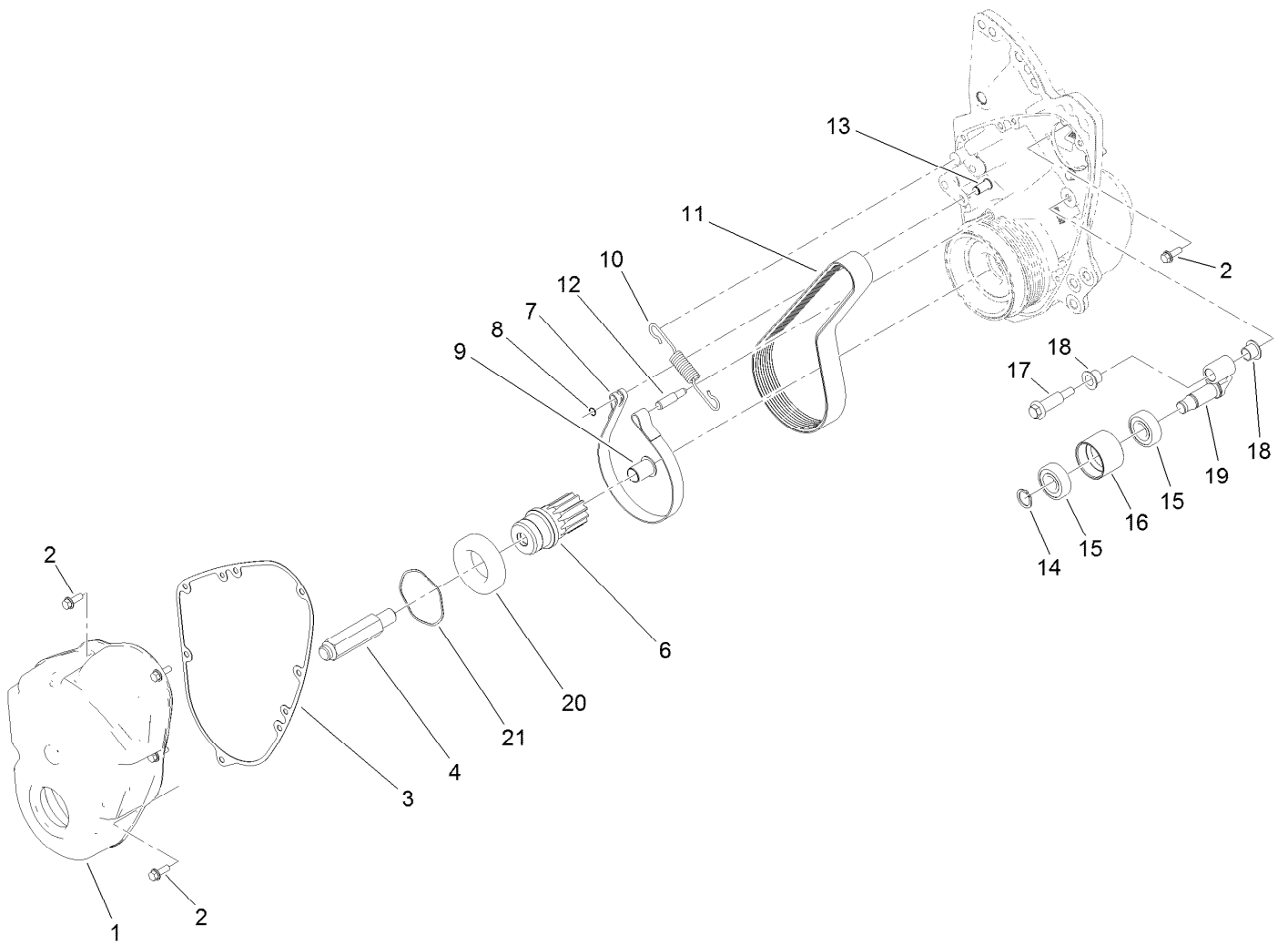
## Differential and Traction Drum Assembly

<i>Ref.</i>	<i>Part Number</i>	<i>Qty.</i>	<i>Description</i>	<i>Ref.</i>	<i>Part Number</i>	<i>Qty.</i>	<i>Description</i>
1	115-7154	1	Housing-Drive, Drum	16	115-6785	1	Shaft-Hex, LH
2	115-7295	1	Bushing-Straight	17	115-7019	2	Bushing-Straight
3	125-5239	4	Bushing-Flange	18	95-0715	2	Pin-Dowel
4	115-7119	1	Lever-Brake	19	120-9688	1	Screw-HH
5	115-7118	1	Lever-Traction	20	120-9691	1	Washer-Flat
6	115-6769	2	Key-Square	21	115-7121	1	Lever-Traction, Engage
7	115-7182	1	Drum Shaft ASM	22	32120-47	2	Ring-Retaining, External
8	115-7181	1	Shaft-Drive, Drum	23	115-7120	1	Lever-Brake, Cable
9	115-6711	1	Differential ASM	24	32151-47	1	Ring-Retaining
10	115-7173	1	Drum-Traction, RH	26	131-6150	1	Screw-HWHTF
11	115-7025	1	Nut-Jam	27	115-7023	1	Collar-Lock
12	253-134	1	Seal-Grease	28	125-3529	1	Pin-Shear
13	115-7174	1	Drum-Traction, LH	29	115-7210	1	Washer-Thrust
14	115-6860	2	Bearing-Ball, Stainless	30	340-64	1	O-Ring
15	115-6784	1	Nut-Bearing				



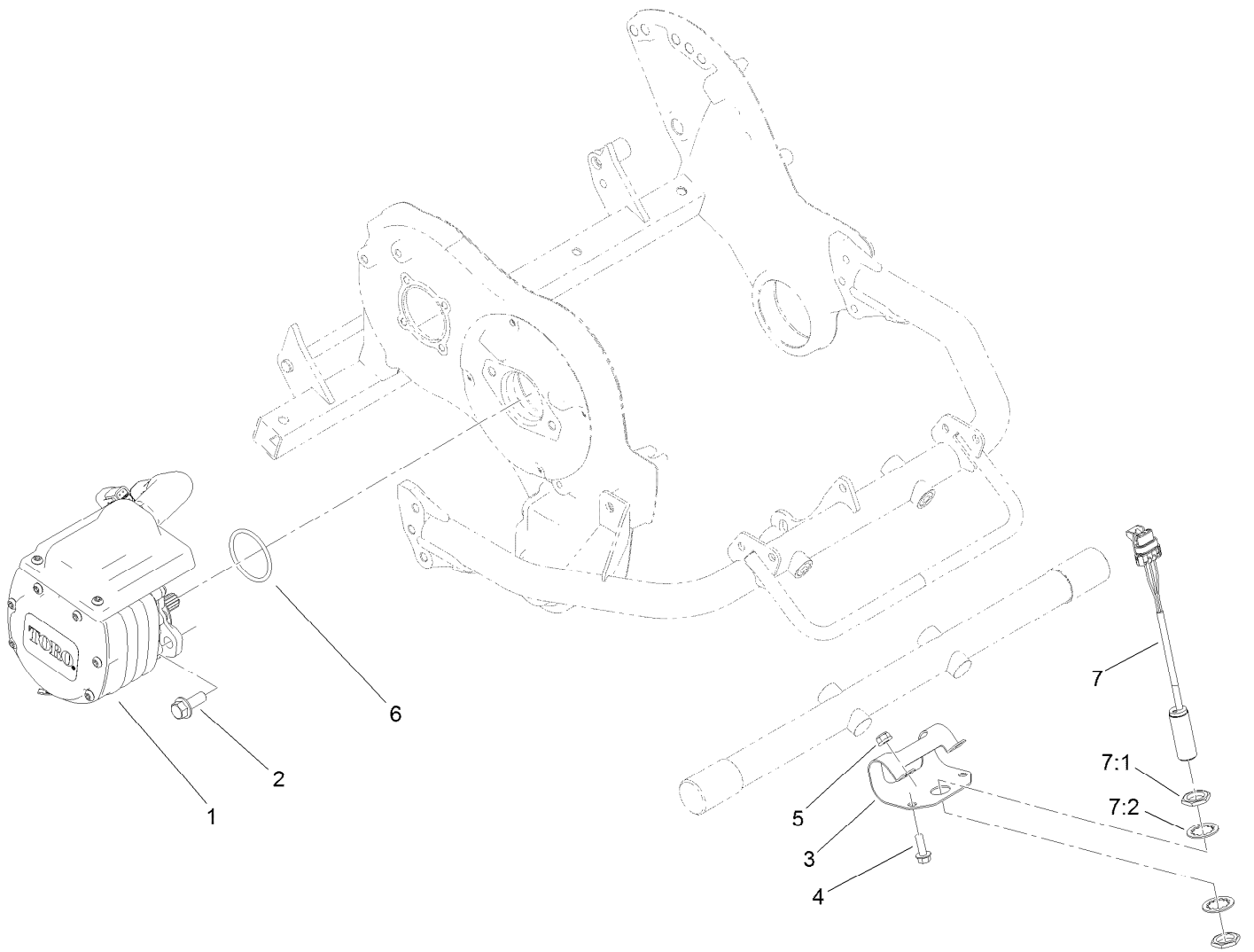
## Differential Assembly No. 115-6711

<i>Ref.</i>	<i>Part Number</i>	<i>Qty.</i>	<i>Description</i>
1	115-7017	1	Housing-Differential
2	115-6865	1	Cover-Differential
4	115-6866	6	Pin-Differential
5	115-6715	6	Gear-Spur, Dual
6	115-6862	9	Spacer-Differential, Natural
7	115-6716	3	Gear-Spur
8	3274-101	6	Screw-HSH
9	251-310	2	Bearing-Ball



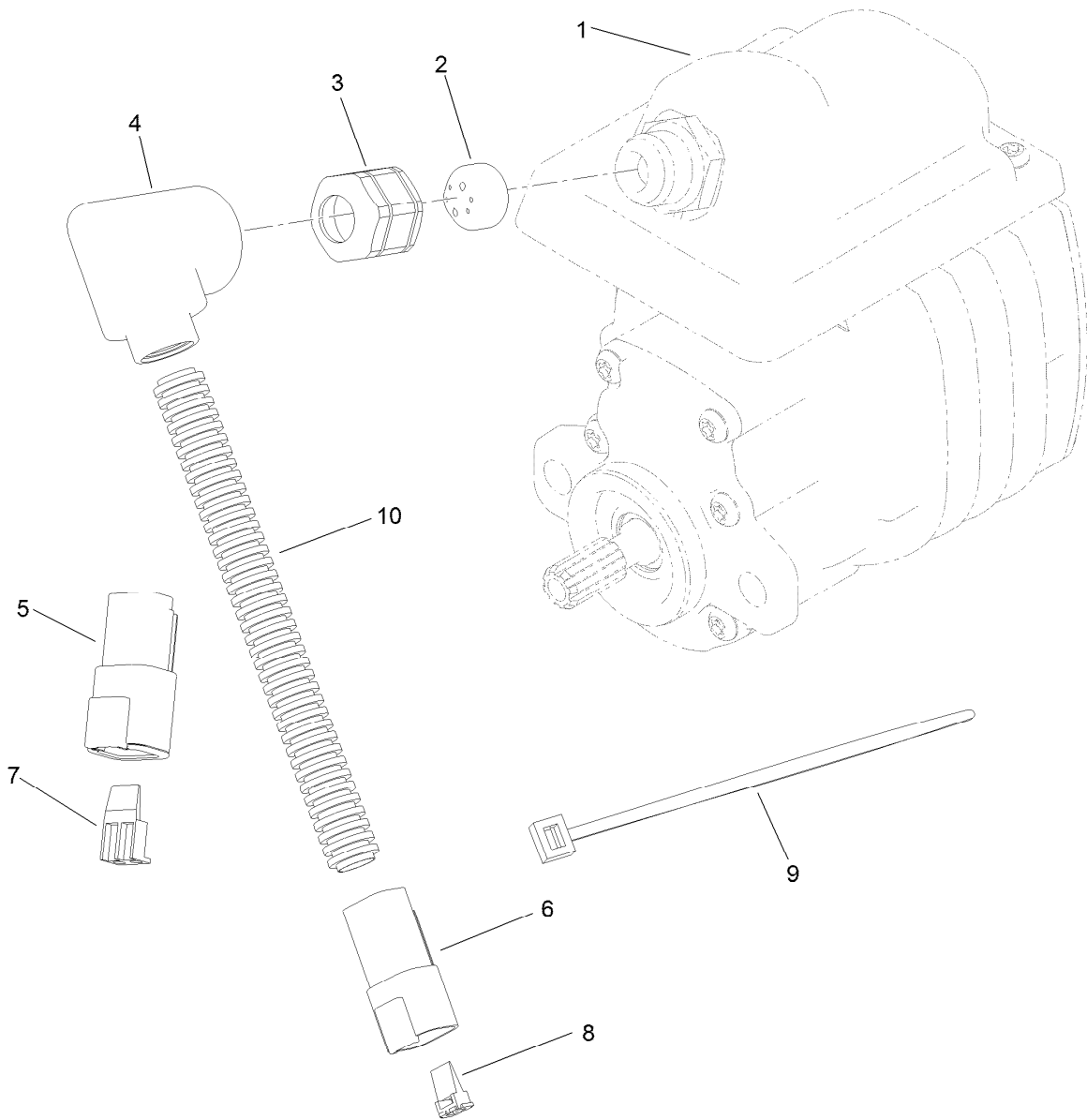
## Drum Drive Assembly

<i>Ref.</i>	<i>Part Number</i>	<i>Qty.</i>	<i>Description</i>	<i>Ref.</i>	<i>Part Number</i>	<i>Qty.</i>	<i>Description</i>
1	115-7156	1	Cover-Drive, Drum	12	115-7116	1	Pin-Mount, Brake
2	119-1138	11	Screw-HWH	13	120-9687	1	Pin-Clevis, Brake
3	115-7141	1	Gasket-Housing, Drum	14	32151-12	1	Ring-Retaining
4	115-6786	1	Shaft-Hex, RH	15	38-7820	2	Bearing-Ball
6	115-6717	1	Gear-Spur	16	115-7133	1	Pulley-Idler
7	115-6846	1	Brake-Band	17	127-1509	1	Screw-Shoulder
8	32120-46	1	Ring-Retaining	18	125-5239	2	Bushing-Flange
9	115-7211	1	Bushing-Flanged	19	115-7235	1	Drum Idler ASM
10	115-6841	1	Spring-Extension	20	115-6860	1	Bearing-Ball, Stainless
11	115-6744	1	Belt-Drive, Drum	21	115-7294	1	Washer-Wave



## Motor Installation Assembly

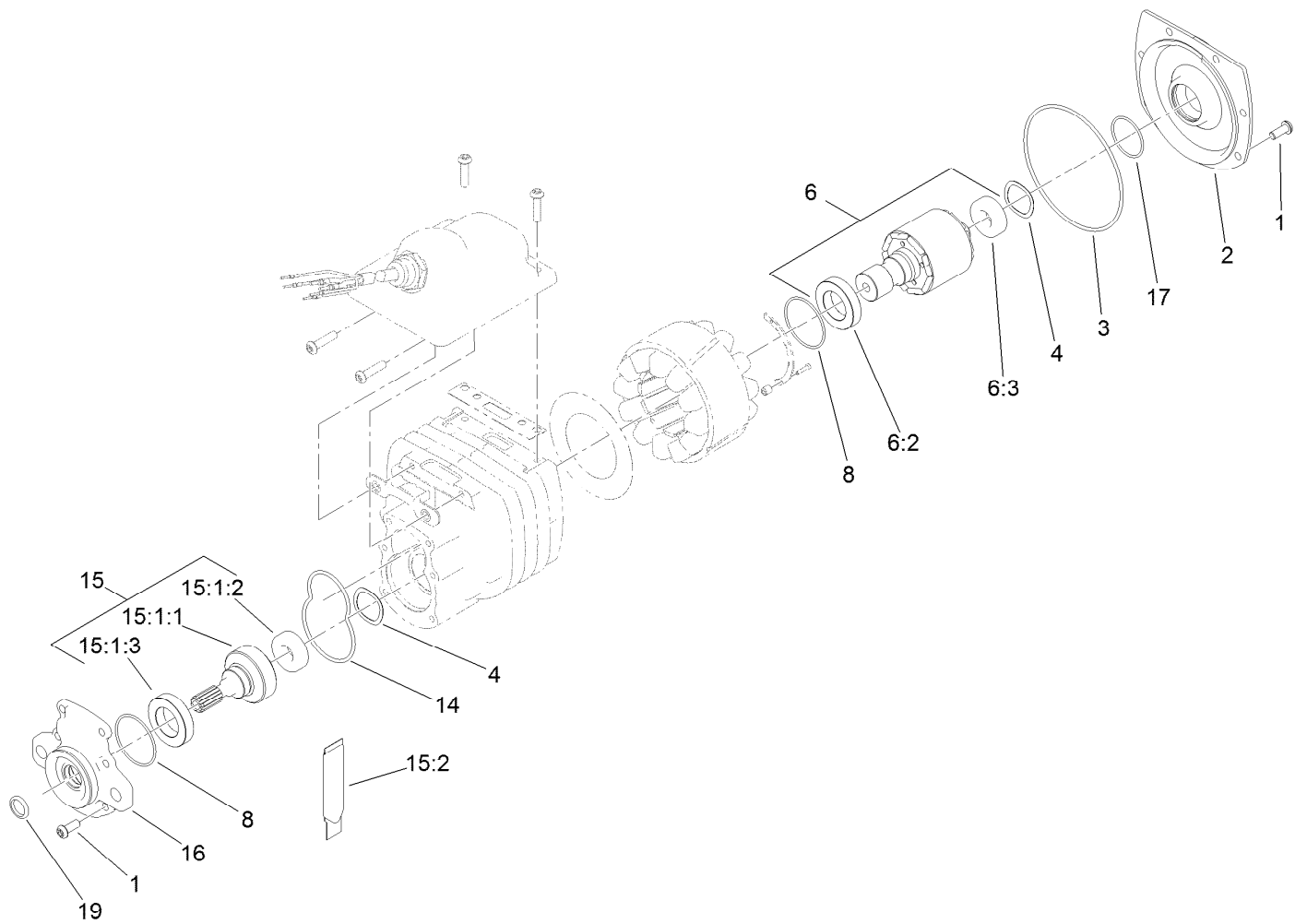
Ref.	Part Number	Qty.	Description
1	120-4501	1	Electric Motor ASM
2	110-5052	2	Screw-HHF
3	115-7081	1	Clamp-Switch
4	119-1138	2	Screw-HWH
5	119-4040	2	Nut-Flange, NI
6	115-3298	1	O-Ring
7	115-5300	1	Proximity Switch ASM
7:1	117-3207	2	Nut-Hex
7:2	117-3208	2	Washer-Lock, Internal Tooth



## Electric Motor Assembly No. 120-4501

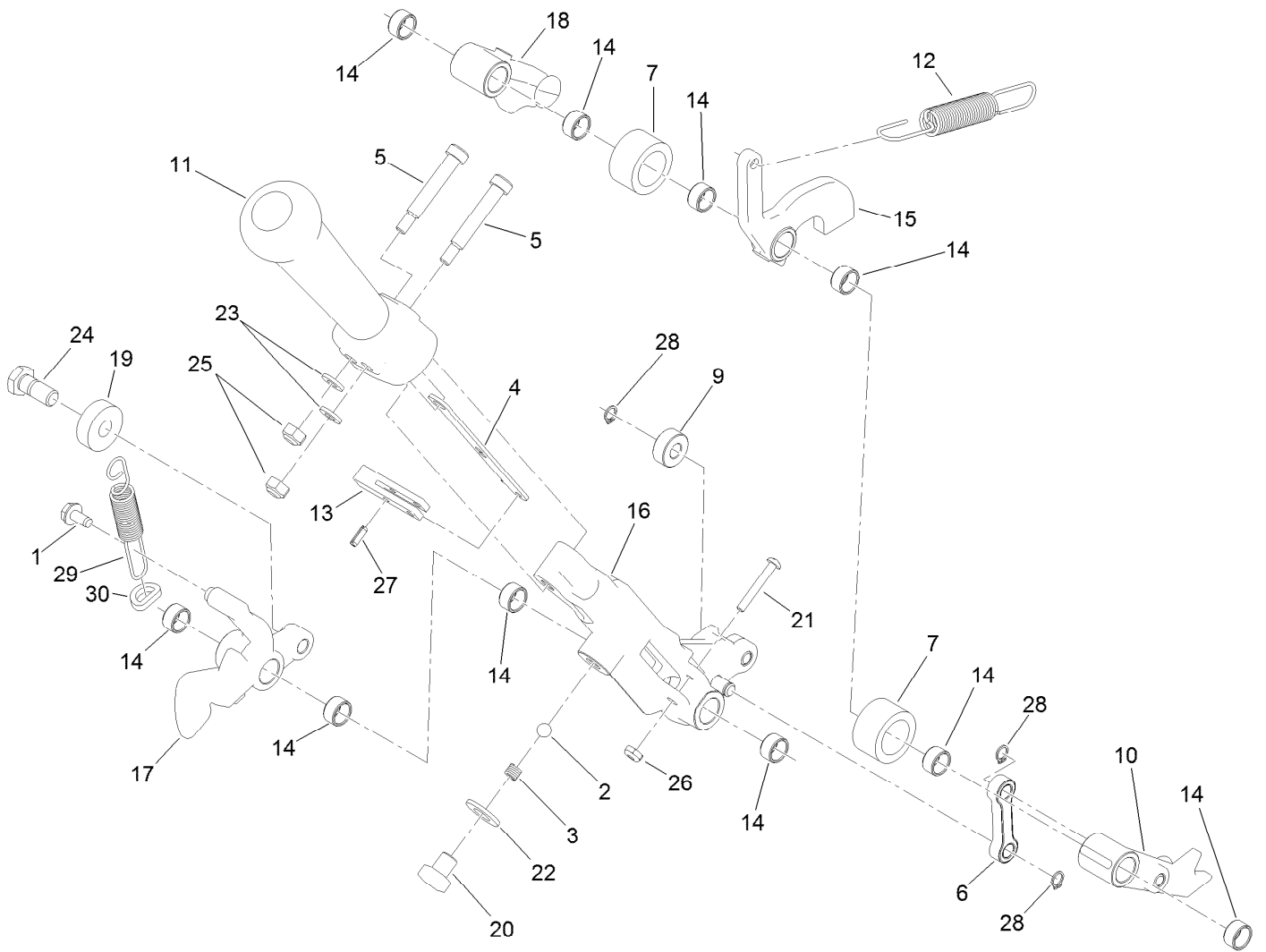
Ref.	Part Number	Qty.	Description
1		1	Motor-Electric ●
2	119-7480	1	Ferrule
3	119-7477	1	Nut-Fitting, Ferrule -8
4	119-7497	1	Backshell-90 Degree
5	32160-245	1	Connector
6	32160-315	1	Connector
7	32180-083	1	Wedge
8	32180-084	1	Wedge
9	3290-378	4	Tie-Cable
10	120-4538	1	Tubing-Convolutted, Slit

● Not serviced separately



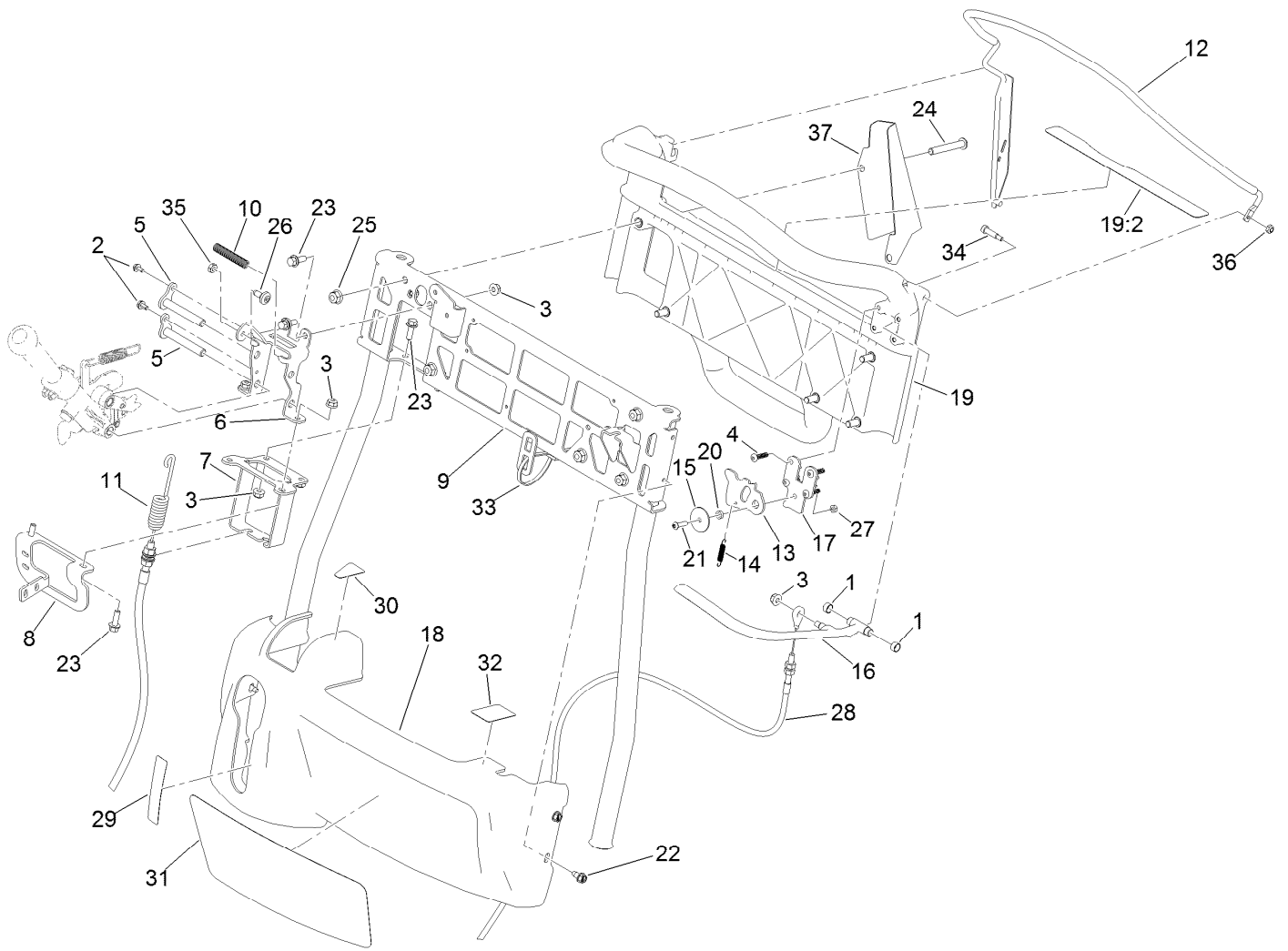
## Electric Motor Assembly

<i>Ref.</i>	<i>Part Number</i>	<i>Qty.</i>	<i>Description</i>	<i>Ref.</i>	<i>Part Number</i>	<i>Qty.</i>	<i>Description</i>
1	120-4559	12	Screw-Bhcs	15	127-1599	1	Output Gear ASM
2	115-4779	1	Cover-Motor	15:1:1	112-5153	1	Gear-Output
3	112-9609	1	O-Ring	15:1:2	120-4557	1	Bearing
4	112-5163	2	Washer-Wave	15:1:3	112-5158	1	Bearing-Ball
6	119-7450	1	Rotor ASM	15:2	127-1501	1	Grease-Synthetic
6:2	112-5158	1	Bearing-Ball	16	115-4777	1	Cover-Gearbox
6:3	120-4557	1	Bearing	17	119-1156	1	O-Ring
8	112-9616	2	O-Ring	19	119-7451	1	Seal-Oil
14	112-9611	1	O-Ring				



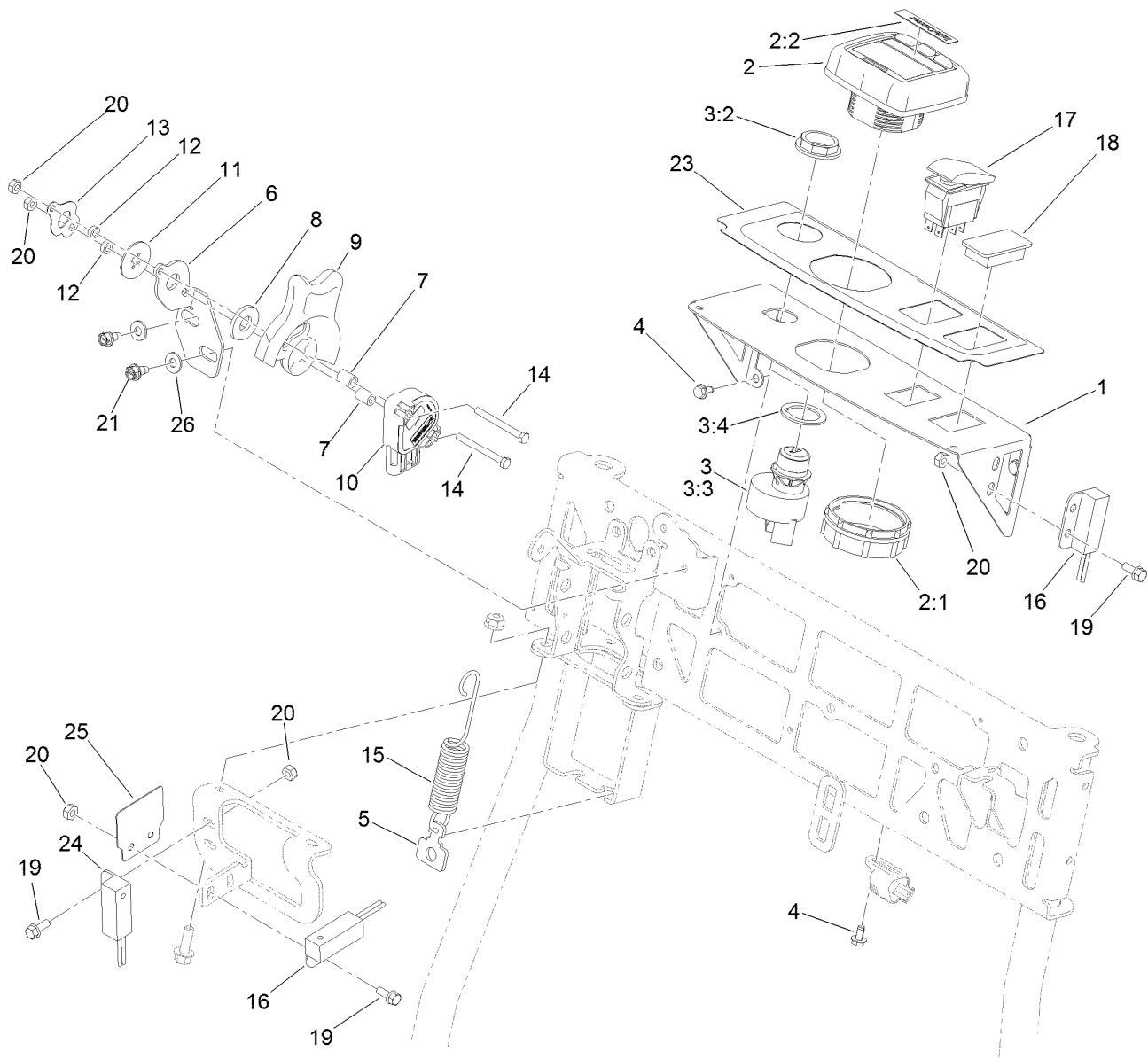
## Shift Lever Assembly

<i>Ref.</i>	<i>Part Number</i>	<i>Qty.</i>	<i>Description</i>	<i>Ref.</i>	<i>Part Number</i>	<i>Qty.</i>	<i>Description</i>
1	104-2065	1	Screw-HWH	17	120-9711	1	Lever-Shift, Reel
2	105-2442	1	Ball-Detent	18	120-9712	1	Lever-Cam, Reel
3	105-2443	1	Spring-Detent	19	251-259	1	Bearing-Ball
4	115-6992	1	Link-Arm, Shift	20	119-4067	1	Screw-HH
5	115-6997	2	Screw-Shoulder	21	120-9693	1	Screw-PPH
6	115-7066	1	Link-Shifter	22	120-9683	1	Washer-Flat
7	115-7071	2	Bumper-Sleeve, Rubber	23	120-9680	2	Washer-Flat
9	115-7073	1	Spacer	24	120-9747	1	Screw-Shoulder
10	115-7206	1	Spring Lever ASM	25	120-9681	2	Nut-Lock, NI
11	115-7098	1	Handle-Shift	26	120-9684	1	Nut-Lock
12	131-3072	1	Spring-Extention	27	32121-68	1	Pin-Roll
13	120-9703	1	Pin-Latch	28	613328	3	Ring-Retaining
14	120-9708	10	Bushing	29	120-9704	1	Spring-Extension
15	120-9746	1	Latch-Shifter	30	120-9729	1	Collar-Spring
16	115-7099	1	Lever-Transport				



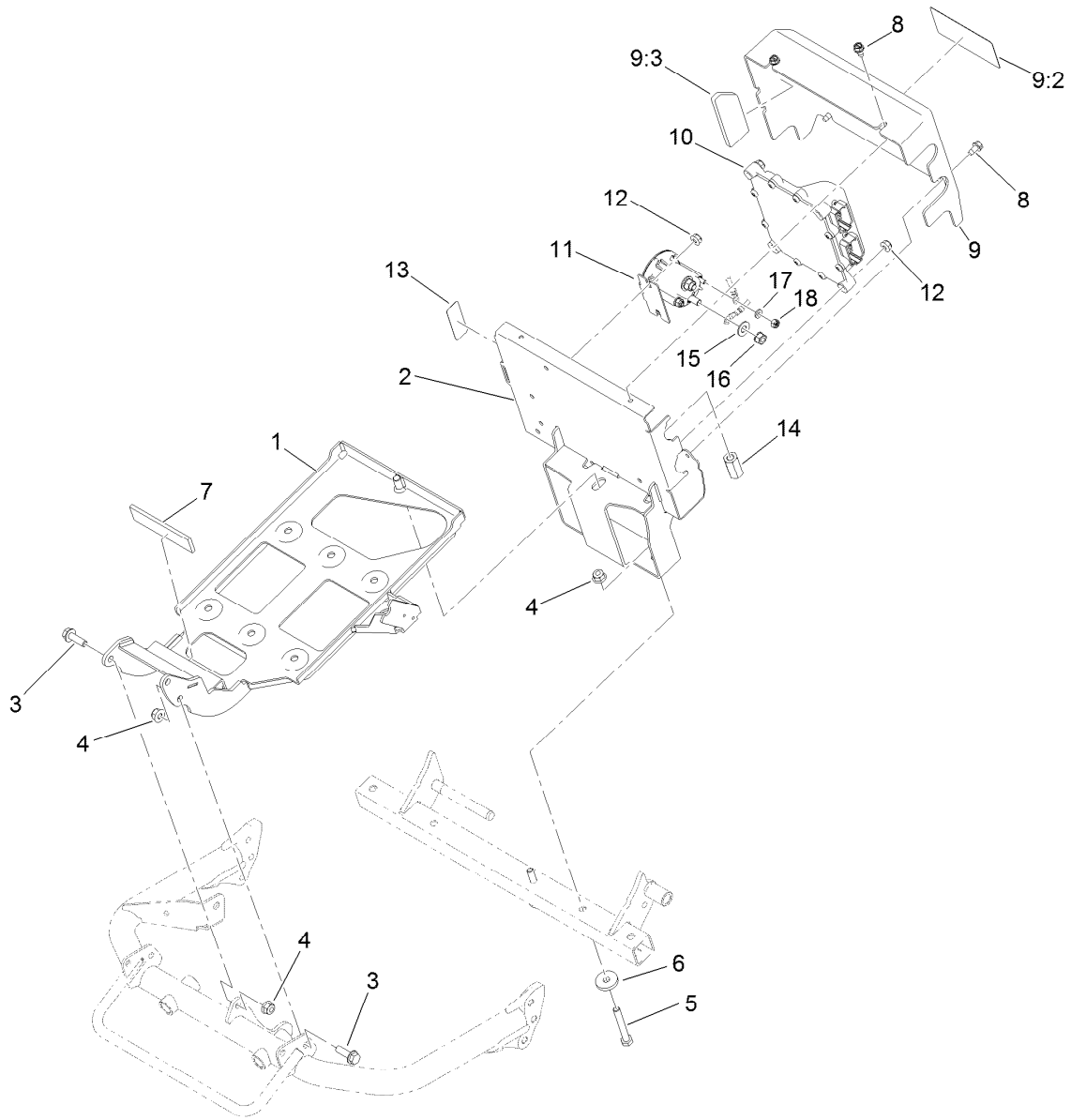
## Handle Assembly

Ref.	Part Number	Qty.	Description	Ref.	Part Number	Qty.	Description
1	99-6247	2	Bushing-Bronze	19:2	120-9593	1	Decal-Warning
2	104-2065	2	Screw-HWH	20	115-7291	1	Spacer-Latch, Brake
3	119-4040	7	Nut-Flange, NI	21	119-1224	1	Screw-HSBH
4	120-9676	4	Screw-Plastite	22	120-9551	4	Screw-HWH
5	115-6966	2	Shift Lever Pin ASM	23	120-9678	6	Screw-HHF
6	115-7055-03	1	Bracket-Shifter	24	115-7260	5	Screw-HSBH
7	115-7063-03	1	Mount-Shift	25	119-4041	5	Nut-Flange, NI
8	115-7068	1	Bracket-Mount, Switch	26	120-7950	1	Screw-Shoulder
9	115-7078-03	1	Handle-Lower	27	120-9681	1	Nut-Lock, NI
10	115-7299	1	Spring-Extension	28	115-7171	1	Cable-Brake
11	115-7172	1	Cable-Clutch, Reel	29	115-7271	1	Decal-Shift, Gear
12	130-9372-03	1	Lift Bail ASM	30	131-3111	1	Decal-Throttle
13	115-7229	1	Latch-Brake	31	115-7270	1	Decal
14	115-7230	1	Spring-Extension	32	120-9598	1	Decal-Brake
15	115-7231	1	Washer	33	3290-378	1	Tie-Cable
16	115-7232	1	Lever-Brake	34	130-9374	1	Screw-Shoulder
17	115-7238	1	Keeper-Lever, Brake	35	120-9695	1	Nut-Jam
18	131-3097	1	Cover-Console	36	3296-12	1	Nut-Lock, NI
19	120-9726	1	Upper Handle ASM	37	130-9373	1	Cover-Lever, Bail



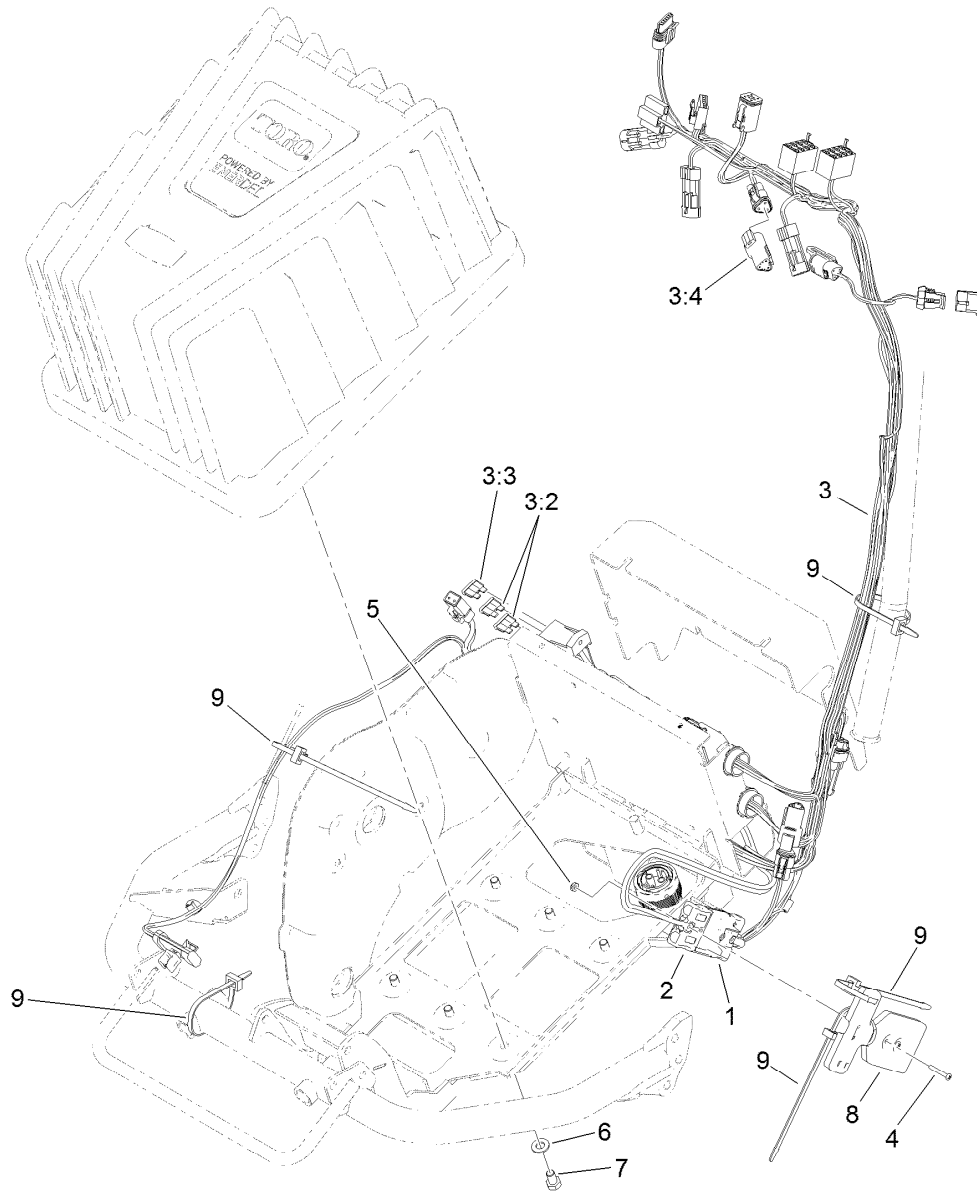
## Throttle and Console Assembly

Ref.	Part Number	Qty.	Description	Ref.	Part Number	Qty.	Description
1	115-7241-03	1	Panel-Switches	12	115-7291	2	Spacer-Latch, Brake
2	120-6310	1	Lcd Display ASM	13	115-6944	1	Spring-Clutch
2:1	120-4630	1	Nut-Display	14	120-9677	2	Screw-HH
2:2	120-6311	1	Decal-Display	15	120-9714	1	Spring-Extension
3	120-6319	1	Ignition Switch ASM	16	106-9288	2	Sensor-Proximity, Ferrous
3:2	108-8660	1	Nut-Mounting	17	107-0255	1	Switch
3:3	106-5270	1	Ignition Key Set	18	99-7420	1	Plug-Hole
3:4	108-8659	1	Washer-Backup	19	120-9748	6	Screw-HWH
4	104-2065	5	Screw-HWH	20	120-9681	8	Nut-Lock, NI
5	115-7052	1	Tab-Spring	21	120-9551	2	Screw-HWH
6	131-3089-03	1	Bracket-Throttle	23	121-4685	1	Decal-Console
7	115-6941	2	Spacer	24	120-6385	1	Sensor-Ferrous Proximity, No
8	115-6942	1	Seal	25	130-6755	1	Plate-Switch
9	131-3073	1	Wheel-Throttle	26	3256-22	2	Washer-Flat
10	119-0737	1	Sensor-Position				
11	115-6943	1	Disc-Clutch				



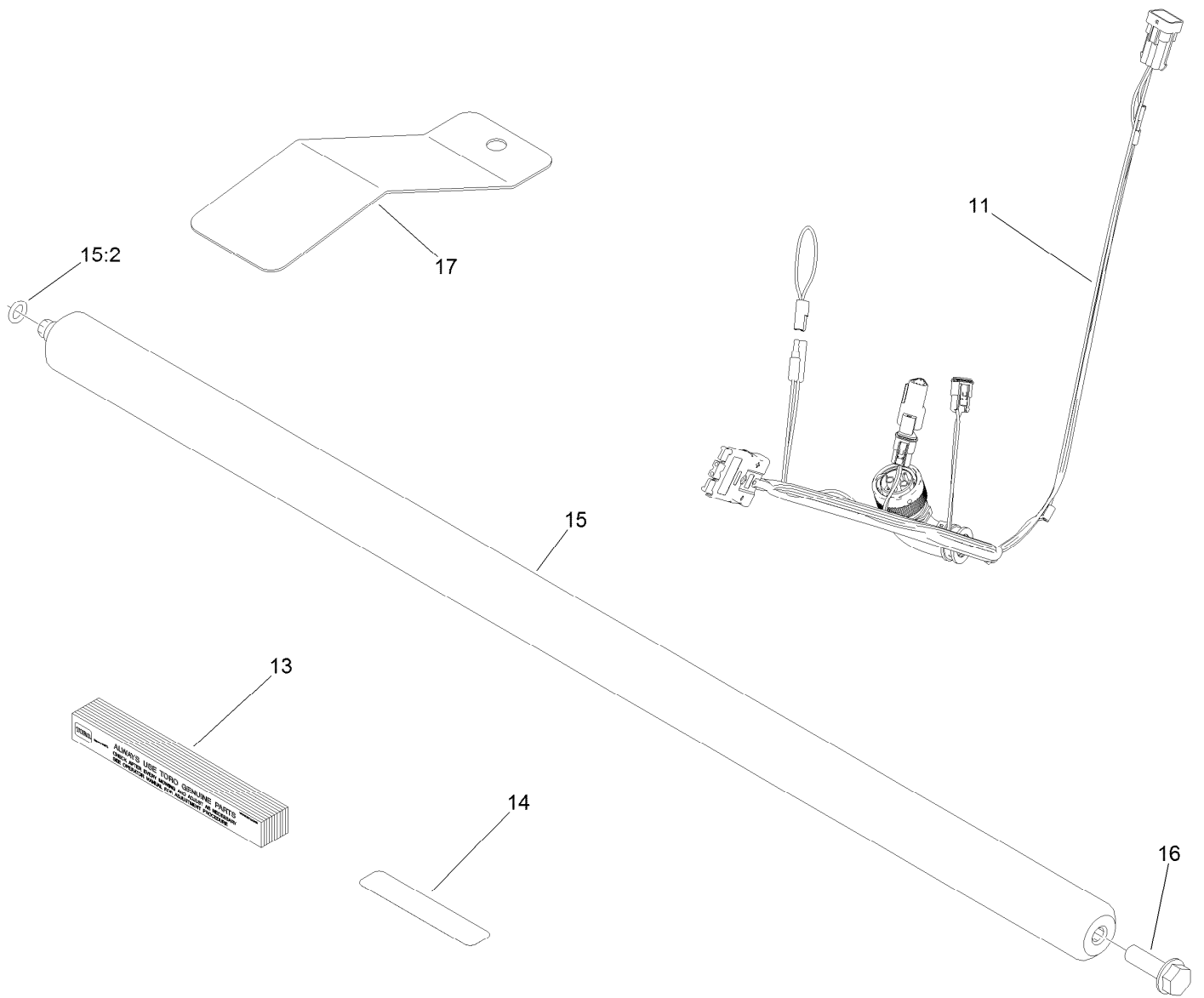
## Battery Base and Controller Assembly

<i>Ref.</i>	<i>Part Number</i>	<i>Qty.</i>	<i>Description</i>	<i>Ref.</i>	<i>Part Number</i>	<i>Qty.</i>	<i>Description</i>
1	121-4662-01	1	Base ASM	9:3	127-1530	1	Pad-Foam
2	121-4660-03	1	Rear Base ASM	10	117-4730	1	Controller
3	115-5142	2	Screw-HHF	11	115-4765	1	Contactors
4	119-4041	4	Nut-Flange, NI	12	119-4040	4	Nut-Flange, NI
5	120-9738	2	Screw-HH	13	120-9574	1	Decal-Fuse
6	115-7292	2	Washer-Hardened	14	120-9599	1	Nut-Tall
7	121-4683	1	Strip-Foam	15	107-0279	2	Washer
8	120-9551	4	Screw-HWH	16	121-4698	2	Nut-Keps
9	120-9596	1	Power Center Cover ASM	17	120-9680	2	Washer-Flat
9:2	120-9573	1	Decal-Warning, Power Center	18	364-0371	2	Nut-HJ, NI



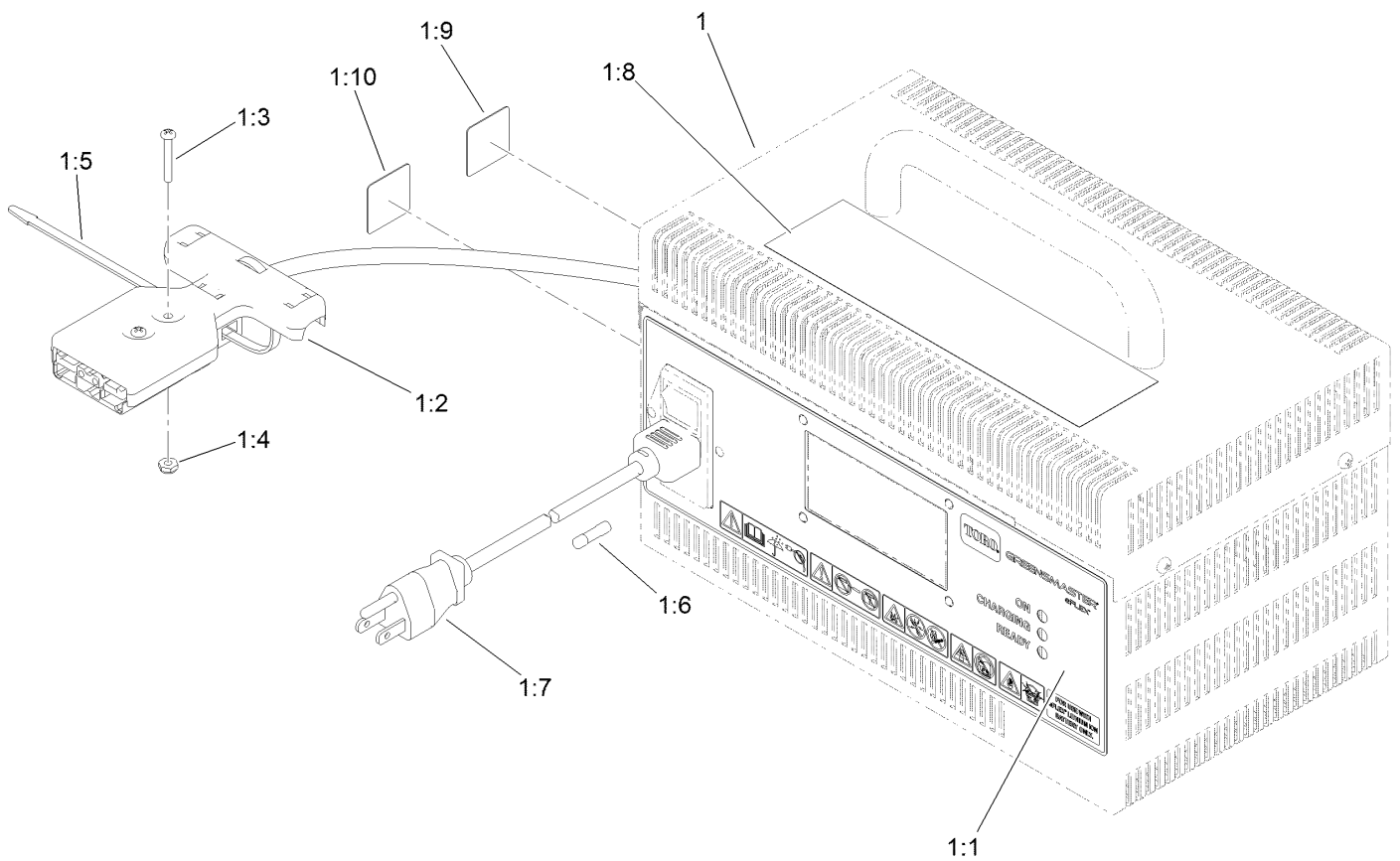
## Wire Harness Assembly

<i>Ref.</i>	<i>Part Number</i>	<i>Qty.</i>	<i>Description</i>
1	119-7768	1	Harness-Wire, Battery
2	117-4749	1	Harness-Wire, Adapter
3	117-4708	1	Harness-Wire, Main
3:2	117-4720	2	Fuse-Blade, 3A
3:3	117-4728	1	Fuse-Blade, 30A
3:4	32180-043	1	Resistor-120 Ohm
4	120-9693	4	Screw-PPH
5	120-9684	4	Nut-Lock
6	120-9683	6	Washer-Flat
7	120-9682	6	Screw-HH
8	120-4646	1	Handle-Connector
9	3290-378	5	Tie-Cable



## Miscellaneous Parts Assembly

<i>Ref.</i>	<i>Part Number</i>	<i>Qty.</i>	<i>Description</i>
11	120-6339	1	Harness-Wire, Li+ Diagnostic
13	125-5610	1	Paper-Reel, Toro (10 Pack)
14	125-5611	1	Shim-Toro Reel (0.002 Inch)
15	130-6760	1	Rear Weight ASM
15:2	360-0497	1	O-Ring
16	115-5142	1	Screw-HHF
17	120-9675	1	Spring-Leaf



## Charger Assembly No. 121-4674

Ref.	Part Number	Qty.	Description
1		1	Charger-Lithium Ion ●
1:1	121-4653	1	Decal-Charger, Li+
1:2	120-4646	1	Handle-Connector
1:3	120-9693	2	Screw-PPH
1:4	120-9684	2	Nut-Lock
1:5	3290-378	4	Tie-Cable
1:6	121-4673	2	Fuse-6.3 Amp, 250 Volt
1:7	107-0382	1	Powercord-Ac, Europe
1:7	107-0384	1	Powercord-Ac
1:8	121-4705	1	Decal-Caution
1:9	125-1413	1	Decal-Ce
1:10	125-1414	1	Decal-Ground, Earth

● Not serviced separately

# Attachments and Accessories

## For 04043 Greensmaster eFlex 1800 Traction Unit

Product Name	Model/Part
11-Blade Cutting Unit.....	04253
14-Blade Cutting Unit.....	04254
Narrow Wiehle Roller Kit.....	120-9607
Wide Wiehle Roller Kit.....	120-9609
Full 2.5in Diameter Roller Kit.....	120-9611
Extended Full Roller ASM.....	121-4680
Extended Narrow Wiehle Roller ASM.....	121-4681
Front Scraper Kit for Narrow Wiehle Roller.....	120-9615
Front Scraper Kit for Wide Wiehle Roller.....	120-9616
Front Scraper Kit for Full Roller.....	120-9617
Front Brush Kit for Narrow Wiehle Roller.....	120-9621
Front Brush Kit for Wide Wiehle Roller.....	120-9622
Front Brush Kit for Full Roller.....	120-9623
Front Comb Kit for Narrow Wiehle Roller.....	120-9624
Front Comb Kit for Wide Wiehle Roller.....	120-9625
Front Comb Kit for Full Roller.....	120-9626
Full 2.0in Diameter Roller Kit.....	120-9605
Steel Rear Roller ASM.....	121-4682
Rear Roller Scraper Kit with Roller.....	120-9627
Flex Groomer Drive, Forward Rotating.....	04259
Flex Groomer Drive, Counter Rotating.....	04260
18in Carbide Grooming Reel.....	04263
18in Grooming Brush.....	04264
18in Soft Perfection Grooming Brush, DPA.....	04272
18in Stiff Perfection Grooming Brush, DPA.....	04273
18in Thin Blade Grooming Reel.....	04743
18in Soft Perfection Grooming Brush Kit.....	127-1545
18in Stiff Perfection Grooming Brush Kit.....	127-1546
Roller Extension Kit.....	115-7361
High Height-of-Cut Arms (Qty 1).....	120-9600
Rear Roller Adjustment (Qty 1).....	120-9602
Groomer Quick Up Kit.....	127-6119
Bedbar-Aggressive.....	110-2281-03
Bedbar.....	110-2282-01
Bedknife-Microcut, Extended.....	110-2300
Bedknife-Low Cut.....	110-2301
Bedknife-Edgemax, Microcut.....	117-1530
Bedknife-EdgeMax, Tournament.....	117-1532
Bedknife-Tournament.....	98-7260
Bedknife-Microcut.....	98-7261
18in 11 Blade Reel ASM.....	119-4101
18in 14 Blade Reel ASM.....	119-4102
Blade-Groomer, Helix.....	110-2333
Blade-Groomer, Thin (Carbide).....	121-9531
Wheel Kit.....	04123
Lithium Battery Pack.....	04232

## Attachments and Accessories (continued)

LED Light Kit.....	04265
Out-Front Brush Kit.....	04266
Hourmeter, Wireless Hourmeter System .....	115-4754
Roller Seal Replacement (Qty 1) .....	107-1594
MVP Kit, Cutting Unit Re-Build.....	121-2637
MVP Kit, Forward Rotating Groomer Re-Build .....	121-9517
Turf Evaluator .....	04399
Toro Reel Paper (10 Pack).....	125-5610
Toro Reel Shim (0.002in) .....	125-5611
Height-of-Cut Bar.....	94-9010
Trans Pro 80 Tow-Behind Trailer.....	04238
Trans Pro 100 Tow-Behind Trailer.....	04240
Flat Ramp .....	04245
Rail Ramp Kit (Update).....	04247
Rail Ramp Conversion Kit (Update).....	04248
18in Rail Conversion Kit.....	110-7345
18in Transport Conversion Kit.....	110-7355

**Notes:**

**Notes:**

**Notes:**



**Count on it.**