



Count on it.

Parts Catalog

**Z Master[®] Commercial 3000
Series Riding Mower**

**with 52in TURBO FORCE[®] Side Discharge
Mower**

Model No. 74953—Serial No. 315000001 and Up



Ordering Replacement Parts

To order replacement parts, please supply the part number, the quantity, and the description of each part desired.

Understanding Reference Numbers

Each identified part in an illustration has a reference number. The reference number for a part also appears in the parts list, along with other information about the part.

This catalog uses two special reference number formats, one to indicate parts in a service assembly and another to indicate the quantity of a given part in an illustration.

Service Assembly Reference Numbers

Parts in service assemblies have reference numbers in the form a:b. The a represents the reference number of the entire service assembly and the b represents a sequential number unique to each part within the service assembly.

For example, a wheel assembly might be identified by reference number 6, the tire by 6:1, the valve by 6:2, and the wheel by 6:3. When you order the assembly identified by reference number 6, you receive all parts identified by reference numbers 6:1, 6:2, and 6:3. However, you may also order any part individually. Reference numbers of this type appear in illustration and in parts lists.

Reference Numbers Indicating Quantity

In an illustration, if a reference number indicates more than one part, the reference number has the form nX y. The n represents the quantity of the part, the X is the multiplication symbol, and the y represents the reference number.

For example, in an illustration, the reference number 2X 37 means that two of the parts identified by reference number 37 are indicated.

List of Abbreviations

AR: as required

ASM: assembly

BBC: blade brake control

BHTF: button head thread forming

CARR: carriage

CCW: counter clockwise

CW: clockwise

DEG: degrees

DPA: Dual Point Adjustment

ECM: electronic control module

EXT: external

FH: flat head

GA: gauge

HD: heavy-duty

HF: hex flange

HH: hex head

HHF: hex head flange

HHFTF: hex head flange thread forming

HJ: hex jam

HLH: hex lag head

HOC: height-of-cut

HP: high pressure

HSBH: hex socket button head

HSFH: hex socket flat head

HSH: hex socket head

HWH: hex washer head

HWHTF: hex washer head thread forming

HYD: hydraulic

LH: left hand

LP: low pressure

LPG: Liquefied Petroleum Gas

NI: nylon insert

NPTF: national pipe thread fine

PFH: phillips flat head

PPH: phillips pan head

PPHTF: phillips pan head thread forming

PRH: phillips round head

PTH: phillips truss head

PTO: power-take-off

RH: right hand

ROPS: roll-over protection system

RRB: rear roller brush

SFH: slotted fillister head

SHH: slotted hex head

SHWH: slotted hex washer head

SPH: slotted pan head

SQH: square head

SRH: slotted round head

STD: standard

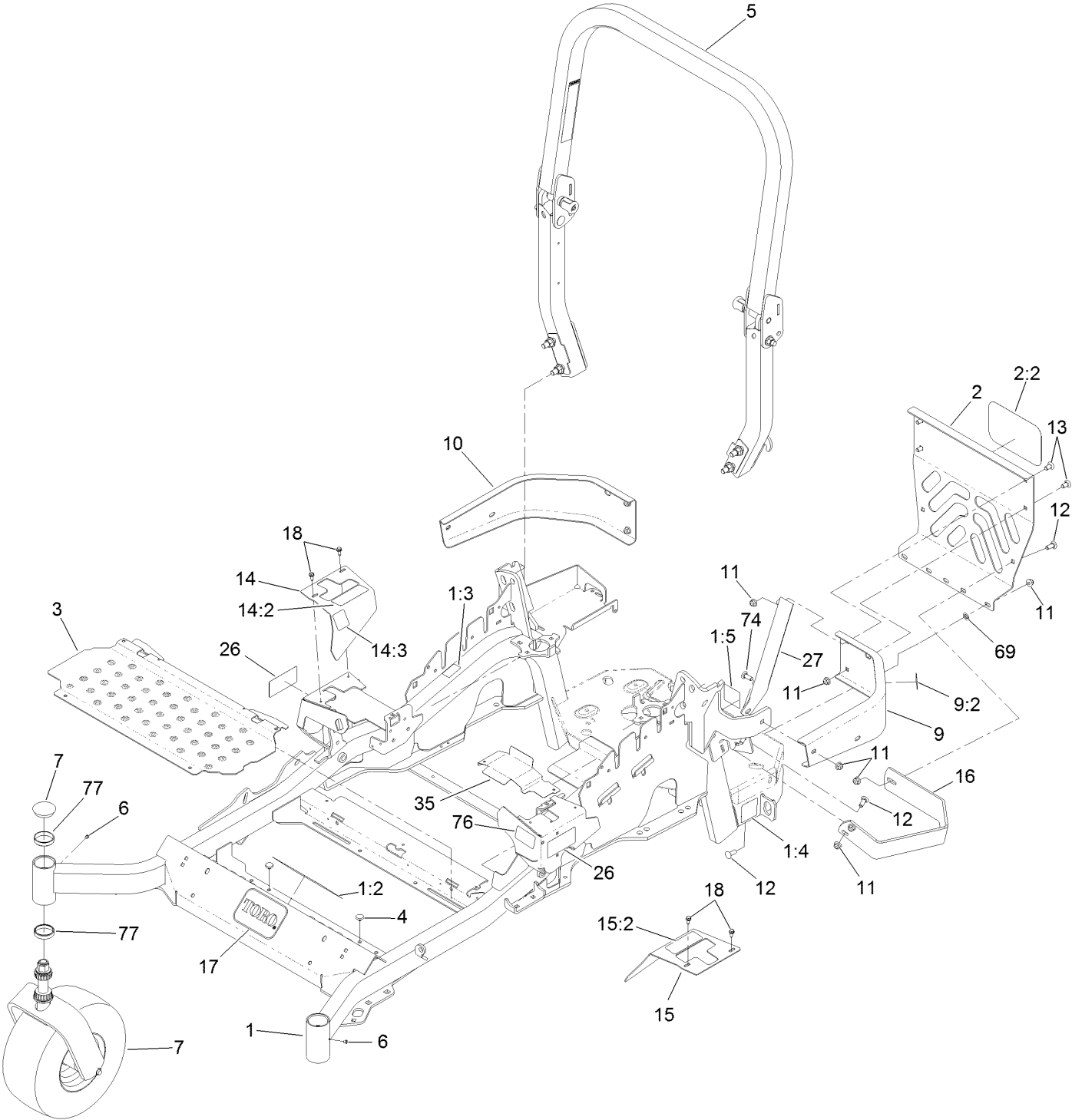
TAP: self tapping

TTH: torx truss head

Contents

| | |
|---|----|
| Frame and Caster Wheel Assembly | 4 |
| Roll-Over Protection System Assembly No. 116-0231 | 6 |
| Caster Wheel and Fork Assembly | 8 |
| Hydraulic Pump, Idler and Belt Assembly | 10 |
| Pump Idler Assembly No. 116-1255 | 12 |
| LH Hydro Assembly No. 126-1327 | 14 |
| RH Hydro Assembly No. 126-1328 | 16 |
| Parking Brake and Wheel Assembly | 18 |
| Fuel Tank Mounting Assembly | 20 |
| Fuel Tank Assembly No. 116-3978 | 22 |
| Seat Mount Assembly | 24 |
| Seat Assembly No. 116-0038 | 26 |
| Motion Control Assembly | 28 |
| Console and Control Panel Assembly | 30 |
| Electrical Assembly | 32 |
| Deck Lift Assembly | 34 |
| Height-of-Cut Assembly No. 109-7438 | 36 |
| Engine, Clutch and Muffler Assembly | 38 |
| Deck Assembly | 40 |
| Deck Decal Assembly No. 114-5810 | 42 |
| Idler Assembly | 44 |
| Spindle Assembly No. 119-8560 | 46 |
| Rubber Deflector Assembly No. 108-2792 | 48 |
| Attachments and Accessories | 50 |

Frame and Caster Wheel Assembly

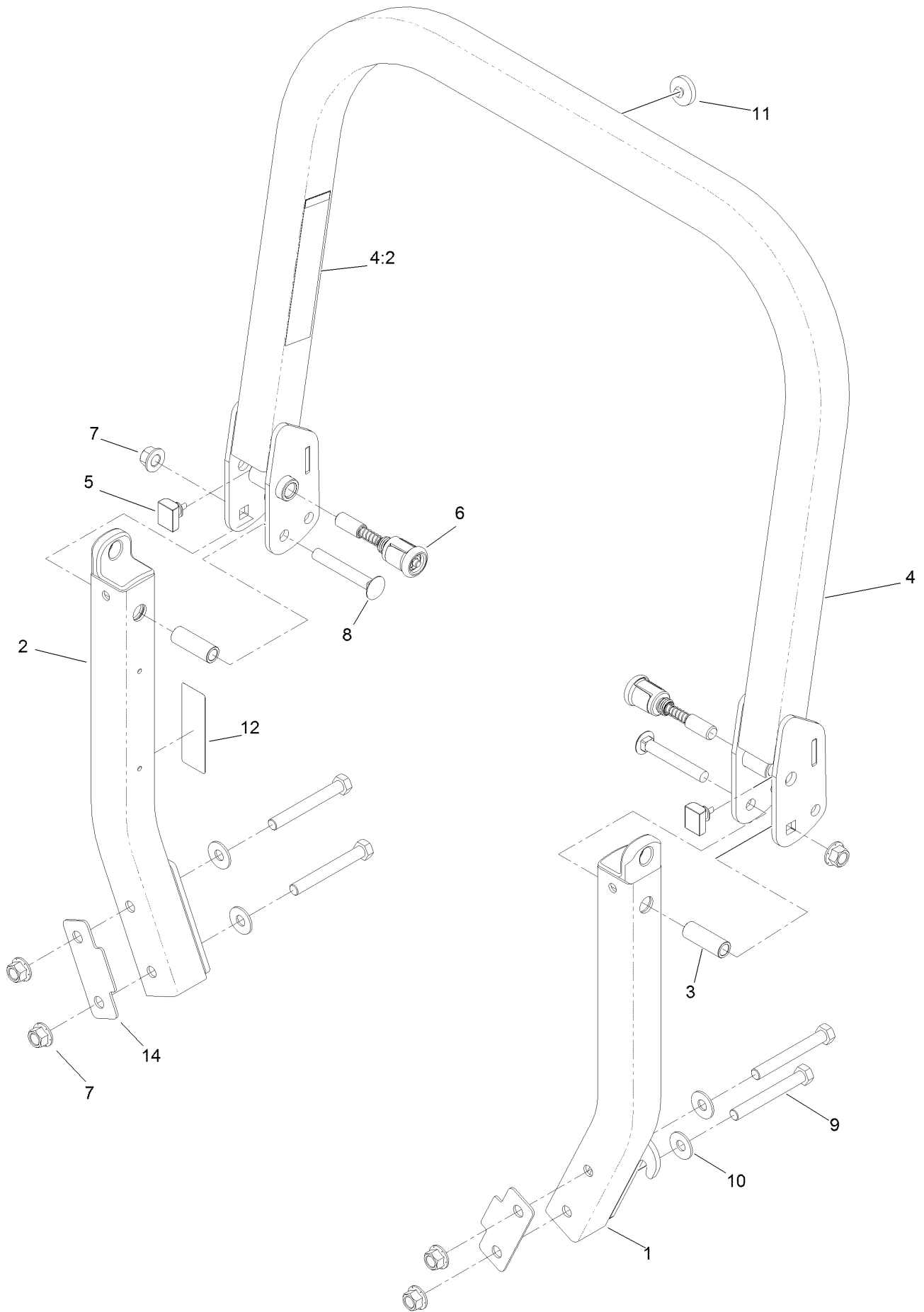


Frame and Caster Wheel Assembly (continued)

| <i>Ref.</i> | <i>Part Number</i> | <i>Qty.</i> | <i>Description</i> | <i>Ref.</i> | <i>Part Number</i> | <i>Qty.</i> | <i>Description</i> |
|-------------|--------------------|-------------|---------------------------------|-------------|--------------------|-------------|--------------------------------|
| 1 | 116-5900 | 1 | Mainframe ASM | 13 | 3231-21 | 3 | Screw-CARR |
| 1:2 | 117-3888 | 1 | Decal-Danger Slope W/ROPS | 14 | 116-5899 | 1 | RH Motion Control Cover ASM |
| 1:3 | 106-5517 | 2 | Decal-Warning, Hot Surface | 14:2 | 99-8936 | 1 | Decal-Control, Motion |
| 1:4 | 106-2655 | 2 | Decal-Hazard, Pinched Finger | 14:3 | 116-5988 | 1 | Decal-Park Brake, Ce |
| 1:5 | 116-4858 | 1 | Decal-Spark Arrester | 15 | 116-0580 | 1 | LH Motion Control Cover ASM |
| 2 | 115-7410 | 1 | Rear Guard ASM | 15:2 | 99-8936 | 1 | Decal-Control, Motion |
| 2:2 | 67-7320 | 1 | Decal | 16 | 126-2067-03 | 1 | Guard-Muffler |
| 3 | 116-8898-01 | 1 | Floorpan | 17 | 68-3640 | 1 | Decal |
| 4 | 1-513658 | 2 | Bumper | 18 | 32144-10 | 4 | Screw-HWH |
| 5 | 116-0231 | 1 | ROPS ASM | 26 | 120-5892 | 2 | Decal |
| 6 | 1-811010 | 2 | Plug | 27 | 127-0324-03 | 1 | Strap, Ce |
| 7 | | 2 | Caster Wheel ASM ● | 35 | 116-2999-01 | 1 | Guard-Belt |
| 9 | 116-0180 | 1 | LH Bumper ASM | 69 | 107-3154 | 2 | Nut-Push |
| 9:2 | 106-5517 | 1 | Decal-Warning, Hot Surface | 74 | 3231-25 | 1 | Bolt-CARR |
| 10 | 116-0057-03 | 1 | Bumper-RH | 76 | 117-3864 | 1 | Decal-Fuel Fill, Ce |
| 11 | 104-8301 | 11 | Nut-Flange, NI | 77 | 1-543508 | 4 | Cup-Bearing |
| 12 | 3231-22 | 7 | Screw-CARR | | | | |

● Not serviced separately

Roll-Over Protection System Assembly No. 116-0231

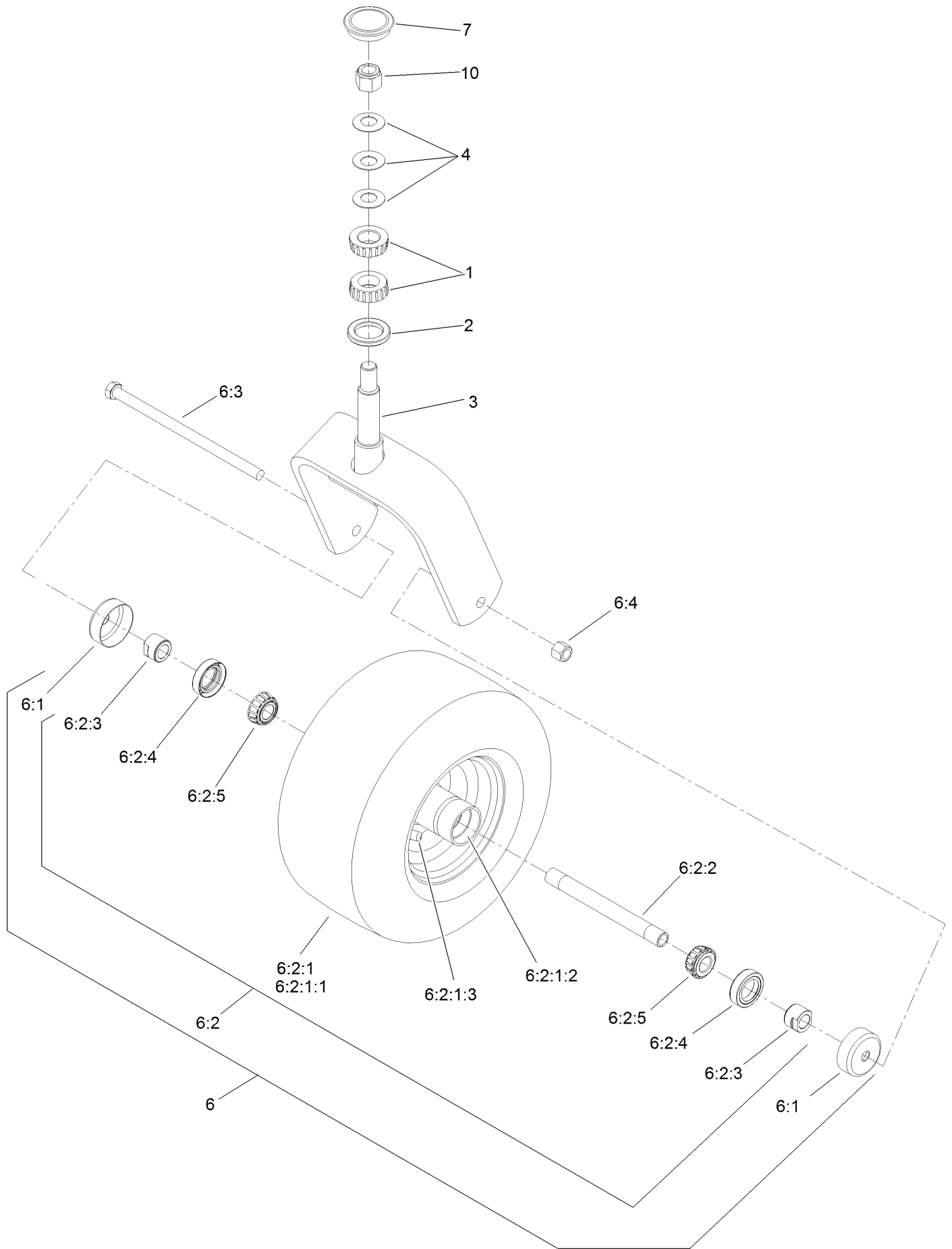


Roll-Over Protection System Assembly No. 116-0231 (continued)

| <i>Ref.</i> | <i>Part Number</i> | <i>Qty.</i> | <i>Description</i> | <i>Ref.</i> | <i>Part Number</i> | <i>Qty.</i> | <i>Description</i> |
|-------------|--------------------|-------------|--------------------------------|-------------|--------------------|-------------|--------------------------|
| 1 | | 1 | Leg-ROPS, LH ● | 7 | 99-5107 | 6 | Nut-Lock |
| 2 | | 1 | Leg-ROPS, RH ● | 8 | 3233-10 | 2 | Screw-CARR |
| 3 | 109-6653 | 2 | Spacer | 9 | 325-35 | 4 | Screw-HH |
| 4 | | 1 | Upper ROPS ASM ● | 10 | 109-9505 | 4 | Washer-Spring |
| 4:2 | 107-3069 | 1 | Decal-Warning, Folding ROPS | 11 | 109-9233 | 1 | Bumper-Push-In, Rubber |
| 5 | 109-5337 | 2 | Bumper-ROPS | 12 | 117-0346 | 1 | Decal-Caution, Fuel Vent |
| 6 | 116-0104 | 2 | Pin-Spring | 14 | 116-0960 | 2 | Spacer |

● Not serviced separately

Caster Wheel and Fork Assembly

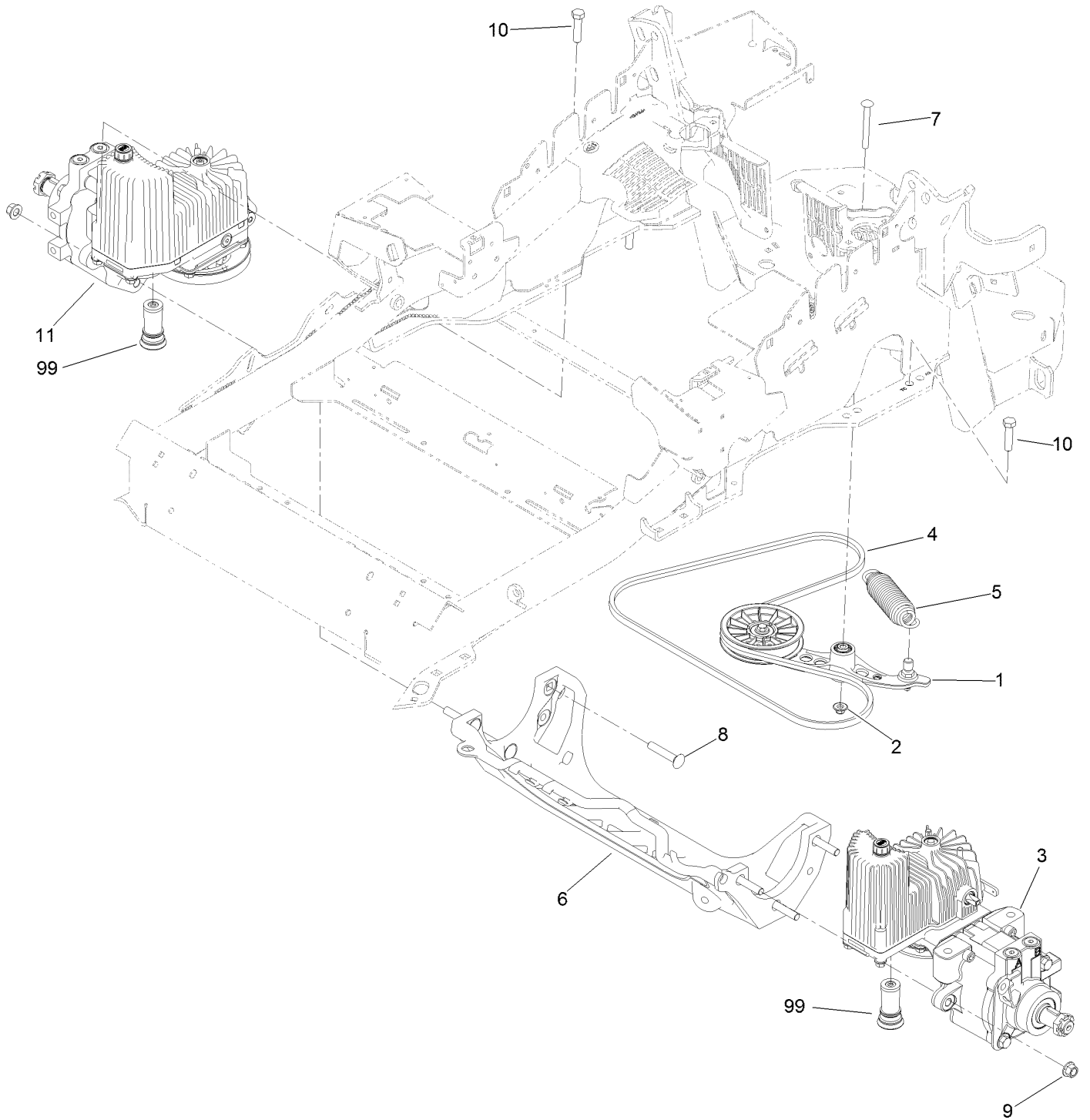


Caster Wheel and Fork Assembly (continued)

| <i>Ref.</i> | <i>Part Number</i> | <i>Qty.</i> | <i>Description</i> | <i>Ref.</i> | <i>Part Number</i> | <i>Qty.</i> | <i>Description</i> |
|-------------|--------------------|-------------|-------------------------|-------------|--------------------|-------------|---------------------|
| 1 | 1-543509 | 2 | Bearing-Roller, Tapered | 6:2:1:3 | 5108 | 1 | Valve |
| 2 | 116-5647 | 1 | Seal-Grease | 6:2:2 | 103-5156 | 1 | Axle-Caster |
| 3 | 116-6707-01 | 1 | Caster | 6:2:3 | 103-3051 | 2 | Spacer-Nut |
| 4 | 1-633508 | 3 | Washer-Bellville | 6:2:4 | 103-0063 | 2 | Seal-Caster |
| 6 | 127-9540 | 1 | Wheel And Axle ASM | 6:2:5 | 1-633585 | 2 | Bearing-Cone, Taper |
| 6:1 | 103-2768 | 2 | Guard-Seal | 6:3 | 325-39 | 1 | Screw-HH |
| 6:2 | | 1 | Wheel And Bearing ASM ● | 6:4 | 3296-23 | 1 | Nut-Lock, NI |
| 6:2:1 | | 1 | Wheel And Tire ASM ● | 7 | 103-4882 | 1 | Cap-Grease |
| 6:2:1:1 | 1-523009 | 1 | Tire | 10 | 3296-51 | 1 | Nut-Lock, NI |
| 6:2:1:2 | 1-633584 | 2 | Bearing-Cup | | | | |

● Not serviced separately

Hydraulic Pump, Idler and Belt Assembly



Hydraulic Pump, Idler and Belt Assembly (continued)

| <i>Ref.</i> | <i>Part Number</i> | <i>Qty.</i> | <i>Description</i> | <i>Ref.</i> | <i>Part Number</i> | <i>Qty.</i> | <i>Description</i> |
|-------------|--------------------|-------------|----------------------------|-------------|--------------------|-------------|-----------------------------|
| 1 | 116-1255 | 1 | Pump Idler ASM | 9 | 99-5107 | 6 | Nut-Lock |
| 2 | 109-6658 | 1 | Nut-Flange, NI | 10 | 325-8 | 4 | Screw-HH |
| 3 | 126-1327 | 1 | LH Hydro ASM (12Cc No Fan) | 11 | 126-1328 | 1 | RH Hydro ASM (12Cc No Fan) |
| 4 | 116-1953 | 1 | Belt-V | 99 | 114-4713 | 1 | Hypr-Oil 500 (Quart) ● |
| 5 | 116-6317 | 1 | Spring-Extension | 99 | 114-4714 | 1 | Hypr-Oil 500 (Gallon) ● |
| 6 | 116-7558 | 1 | Cradle-Hydro | 99 | 114-4715 | 1 | Hypr-Oil 500-5 (5 Gallon) ● |
| 7 | 116-1502 | 1 | Bolt-Shoulder, Carriage | 99 | 117-0390 | 1 | Filter-Hydro |
| 8 | 126-0095 | 6 | Screw-CARR | | | | |

● Not illustrated

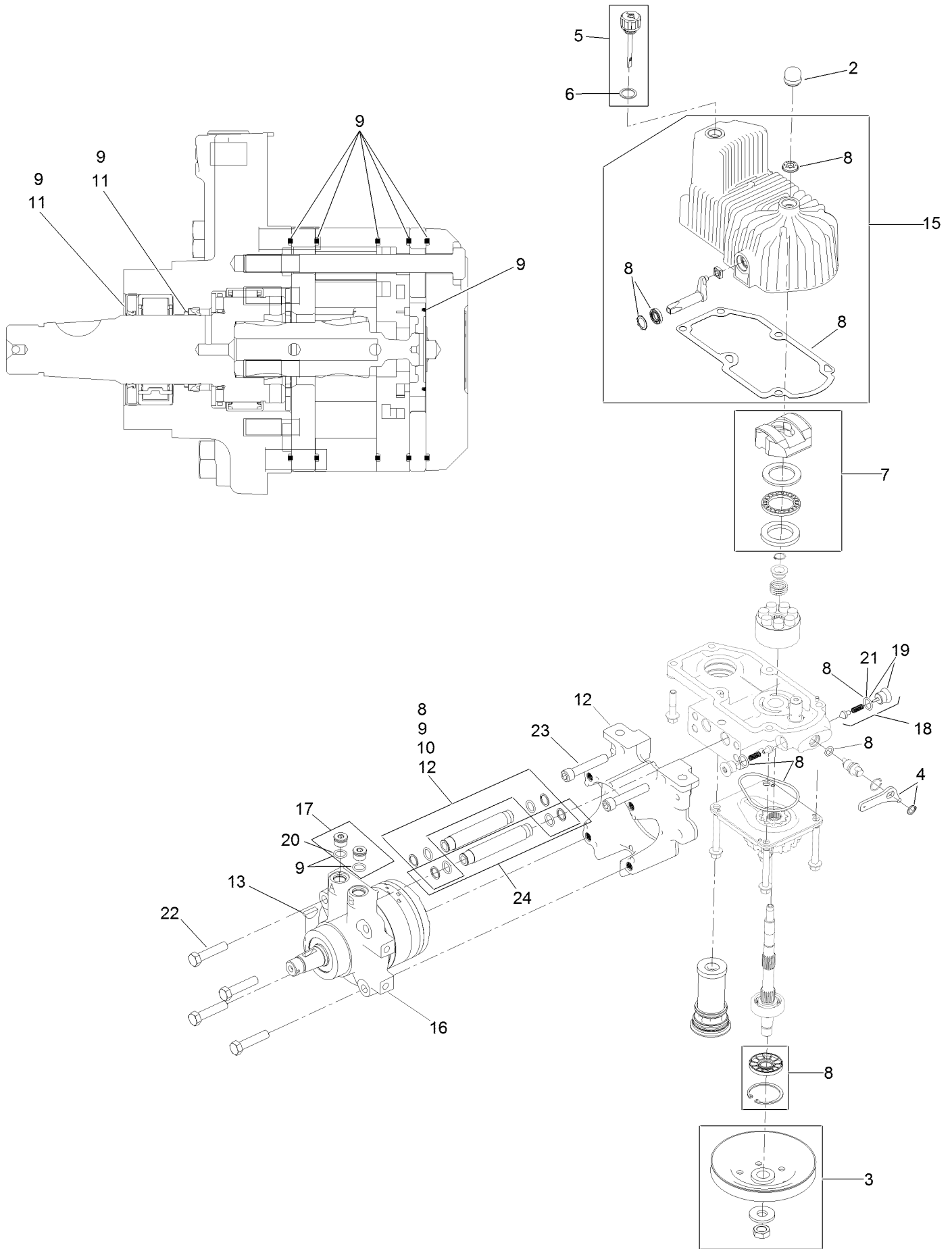
Pump Idler Assembly No. 116-1255



Pump Idler Assembly No. 116-1255 (continued)

| <i>Ref.</i> | <i>Part Number</i> | <i>Qty.</i> | <i>Description</i> | <i>Ref.</i> | <i>Part Number</i> | <i>Qty.</i> | <i>Description</i> |
|-------------|--------------------|-------------|--------------------|-------------|--------------------|-------------|--------------------|
| 2 | 43-0940 | 1 | Spacer | 8 | 323-8 | 1 | Screw-HH |
| 3 | 103-3504 | 2 | Bearing-Spherical | 9 | 32120-10 | 2 | Ring-Snap |
| 4 | 103-3505 | 1 | Seal-Double Lip | 10 | 302-19 | 1 | Fitting-Grease |
| 5 | 103-3506 | 1 | Seal-Lip, Single | 11 | 109-8076 | 1 | Pulley-Idler |
| 6 | 109-6658 | 1 | Nut-Flange, NI | 12 | 116-3467 | 1 | Pin-Spring, Anchor |
| 7 | 106-7159 | 2 | O-Ring | | | | |

LH Hydro Assembly No. 126-1327

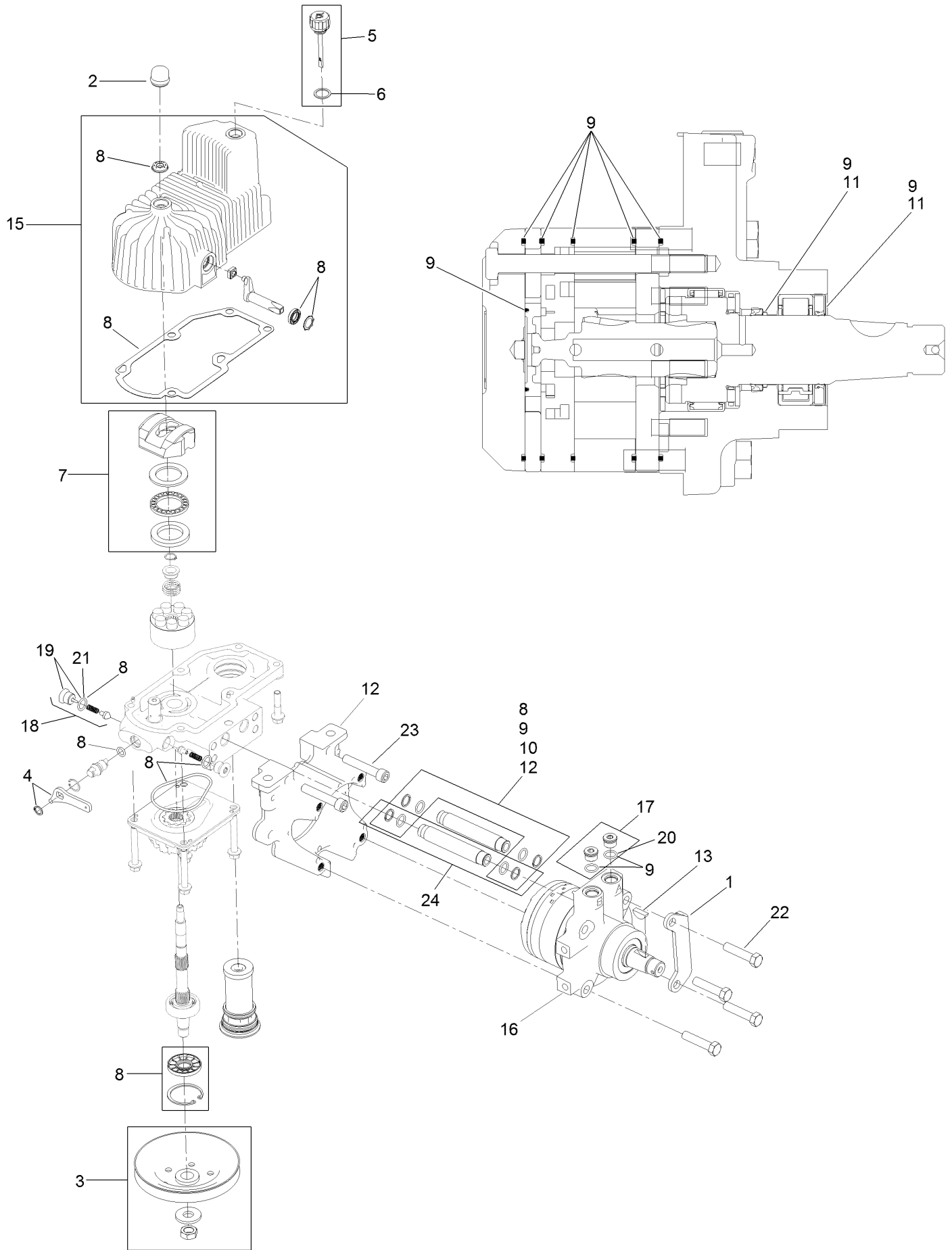


LH Hydro Assembly No. 126-1327 (continued)

| <i>Ref.</i> | <i>Part Number</i> | <i>Qty.</i> | <i>Description</i> | <i>Ref.</i> | <i>Part Number</i> | <i>Qty.</i> | <i>Description</i> |
|-------------|--------------------|-------------|-------------------------------|-------------|--------------------|-------------|----------------------------|
| 2 | 116-3052 | 1 | Cover-Shaft, Hydro | 13 | 3257-42 | 1 | Key-Woodruff |
| 3 | 116-0234 | 1 | Pulley Kit | 15 | 116-3287 | 1 | Housing-LH |
| 4 | 116-0235 | 1 | Handle-Bypass Valve, Hydro | 16 | 116-8915 | 1 | Motor-Hydraulic LH 240Cc |
| 5 | 116-0236 | 1 | Dipstick-Hydro W/Gasket | 17 | 116-7901 | 1 | Magnetic Plugs Service Kit |
| 6 | 116-0237 | 1 | Gasket-Dipstick, Hydro | 18 | 116-1630 | 2 | Check Valve ASM |
| 7 | 116-1367 | 1 | Swash Block Kit | 19 | 116-1631 | 2 | Plug-Check (W/O-Ring) |
| 8 | 116-1368 | 1 | Pump Seal Kit | 20 | 76-1900 | 2 | O-Ring |
| 9 | 116-1369 | 1 | Motor Seal Kit | 21 | 116-8662 | 2 | O-Ring-Check Valve |
| 10 | 116-1370 | 1 | Tube Seal Kit | 22 | 116-8974 | 4 | Screw HH |
| 11 | 116-1371 | 1 | Output Shaft Seal Kit | 23 | 116-8975 | 2 | Screw-HSH |
| 12 | 116-5469 | 1 | Nose Cup-Uht | 24 | 116-9922 | 2 | Hydraulic Tube Kit |
| | | | | 99 | 116-1373 | 1 | Flow Test Kit ● |

● Not illustrated

RH Hydro Assembly No. 126-1328

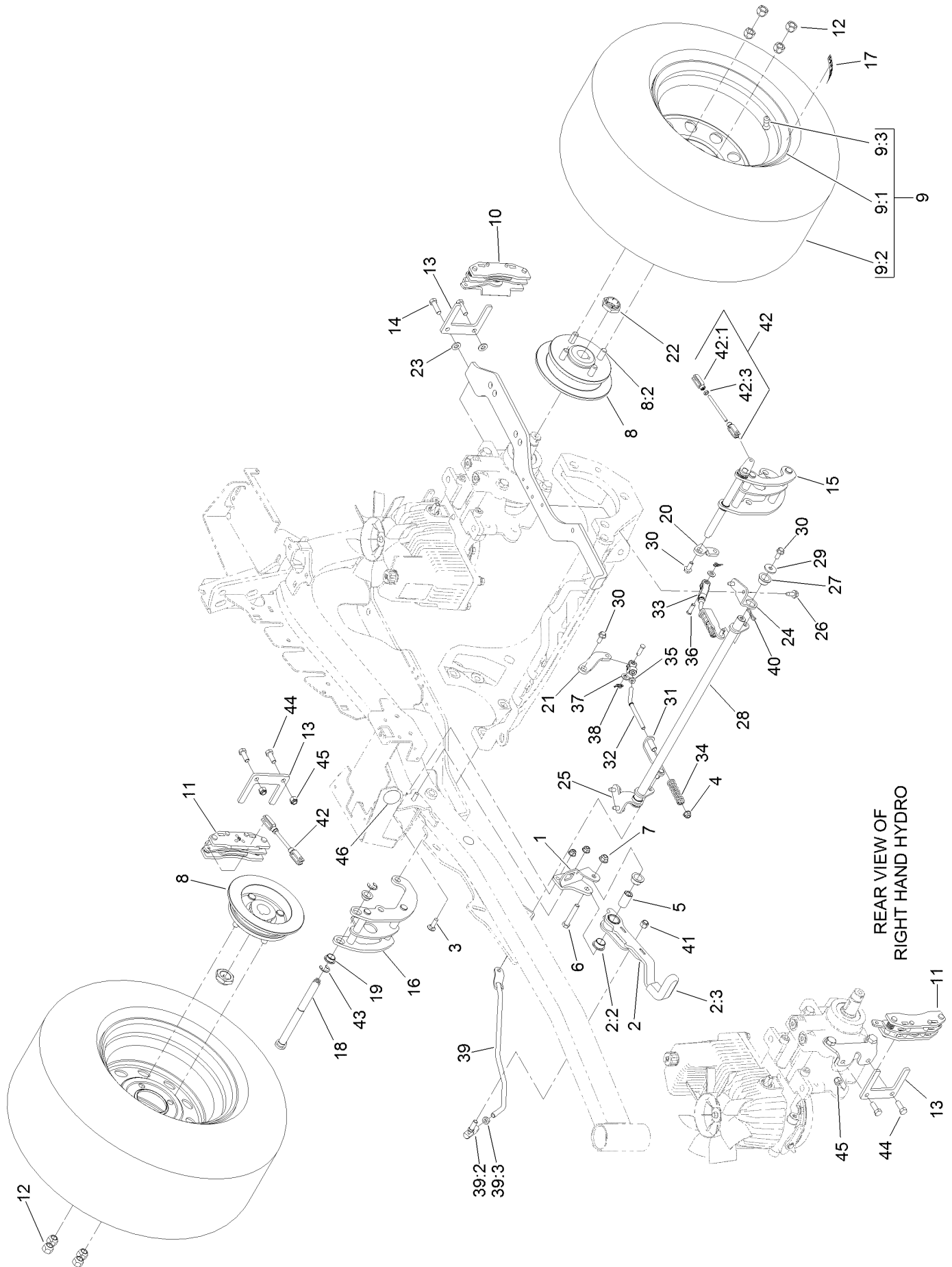


RH Hydro Assembly No. 126-1328 (continued)

| <i>Ref.</i> | <i>Part Number</i> | <i>Qty.</i> | <i>Description</i> | <i>Ref.</i> | <i>Part Number</i> | <i>Qty.</i> | <i>Description</i> |
|-------------|--------------------|-------------|-------------------------------|-------------|--------------------|-------------|----------------------------|
| 1 | 116-9063 | 1 | Mount-Shoe, Horse | 13 | 3257-42 | 1 | Key-Woodruff |
| 2 | 116-3052 | 1 | Cover-Shaft, Hydro | 15 | 116-3288 | 1 | Housing-RH |
| 3 | 116-0234 | 1 | Pulley Kit | 16 | 116-8916 | 1 | Motor-Hydraulic RH 240Cc |
| 4 | 116-0235 | 1 | Handle-Bypass Valve, Hydro | 17 | 116-7901 | 1 | Magnetic Plugs Service Kit |
| 5 | 116-0236 | 1 | Dipstick-Hydro W/Gasket | 18 | 116-1630 | 2 | Check Valve ASM |
| 6 | 116-0237 | 1 | Gasket-Dipstick, Hydro | 19 | 116-1631 | 2 | Plug-Check (W/O-Ring) |
| 7 | 116-1367 | 1 | Swash Block Kit | 20 | 76-1900 | 2 | O-Ring |
| 8 | 116-1368 | 1 | Pump Seal Kit | 21 | 116-8662 | 2 | O-Ring-Check Valve |
| 9 | 116-1369 | 1 | Motor Seal Kit | 22 | 116-8974 | 4 | Screw HH |
| 10 | 116-1370 | 1 | Tube Seal Kit | 23 | 116-8975 | 2 | Screw-HSH |
| 11 | 116-1371 | 1 | Output Shaft Seal Kit | 24 | 116-9922 | 2 | Hydraulic Tube Kit |
| 12 | 116-5469 | 1 | Nose Cup-Uht | 99 | 116-1373 | 1 | Flow Test Kit ● |

● Not illustrated

Parking Brake and Wheel Assembly

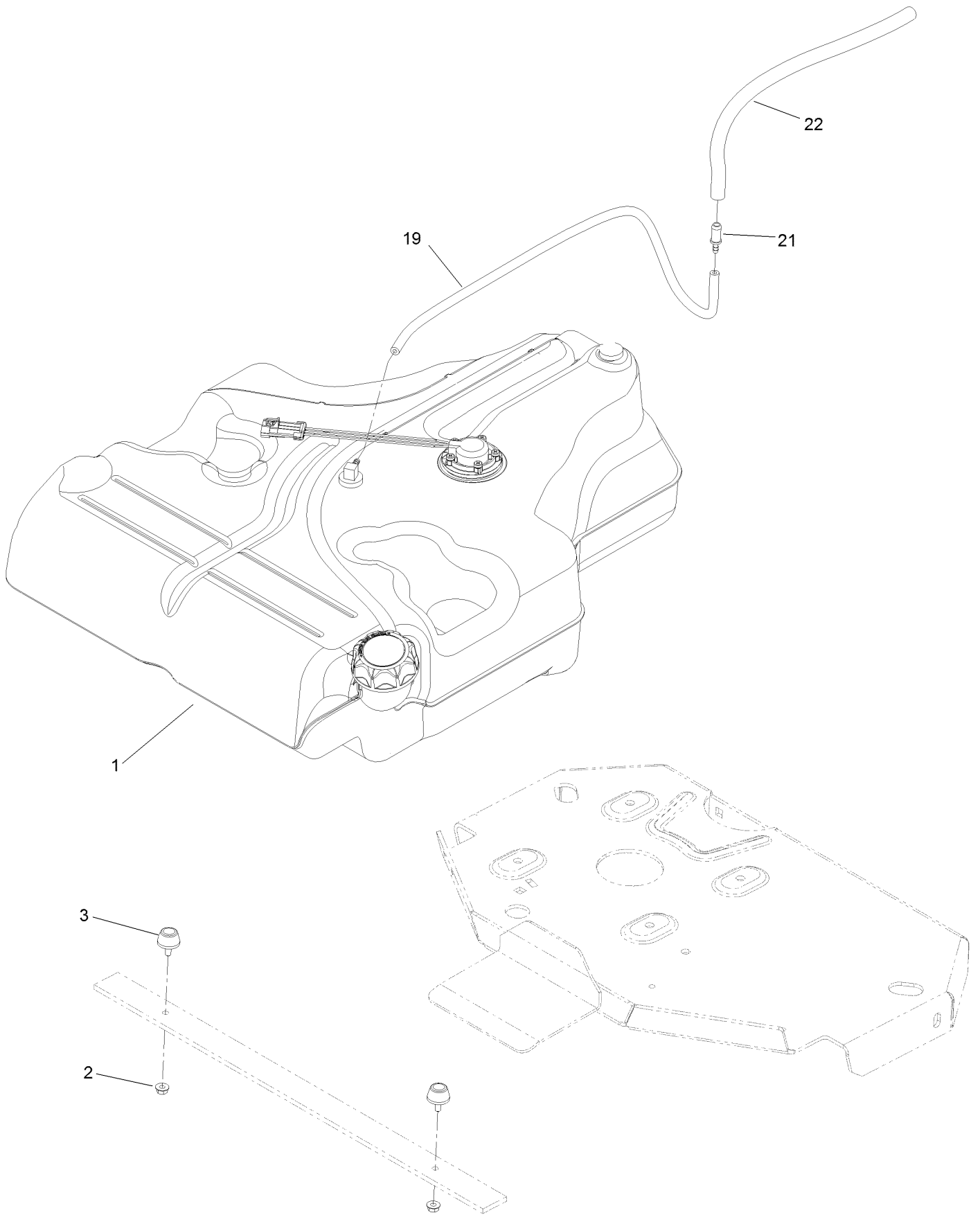


REAR VIEW OF
RIGHT HAND HYDRO

Parking Brake and Wheel Assembly (continued)

| <i>Ref.</i> | <i>Part Number</i> | <i>Qty.</i> | <i>Description</i> | <i>Ref.</i> | <i>Part Number</i> | <i>Qty.</i> | <i>Description</i> |
|-------------|--------------------|-------------|-------------------------------|-------------|--------------------|-------------|---------------------|
| 1 | 116-9096-01 | 1 | Bracket-Mount | 23 | 3256-24 | 2 | Washer-Flat |
| 2 | 126-0970 | 1 | Brake Lever ASM (W/ Grip) | 24 | 116-9681 | 1 | Mount-Pivot, LH |
| 2:2 | 109-8054 | 2 | Bushing-Flange | 25 | 116-9682 | 1 | Mount-Pivot, RH |
| 2:3 | 1-633268 | 1 | Grip-Lever | 26 | 32144-70 | 4 | Screw-HWHTF |
| 3 | 3230-2 | 2 | Bolt-CARR | 27 | 109-8054 | 2 | Bushing-Flange |
| 4 | 104-8300 | 4 | Nut-Flange, NI | 28 | 116-9080 | 1 | Shaft-Cross |
| 5 | 116-9117 | 1 | Handle-Pivot, Brake | 29 | 115-7109 | 2 | Washer-Flat |
| 6 | 323-11 | 1 | Screw-HH | 30 | 98-9940 | 4 | Screw |
| 7 | 104-8301 | 1 | Nut-Flange, NI | 31 | 116-9608 | 2 | Bracket-L |
| 8 | 116-1746 | 2 | Wheel Hub ASM | 32 | 116-9086 | 2 | Linkage-Mid |
| 8:2 | 116-1696 | 4 | Stud-Wheel | 33 | 126-3693 | 2 | Yoke-Offset |
| 9 | 127-9514 | 2 | Wheel And Tire ASM | 34 | 116-9085 | 2 | Spring-Compression |
| 9:1 | 127-9515 | 1 | Wheel | 35 | 3220-2 | 2 | Nut-Jam |
| 9:2 | 1-653160 | 1 | Tire | 36 | 1-808280 | 2 | Pin-Clevis |
| 9:3 | 232-27 | 1 | Stem-Valve | 37 | 3256-23 | 4 | Washer-Flat |
| 10 | 109-2889 | 1 | Caliper-Brake | 38 | 116-6639 | 2 | Pin-Cotter, Locking |
| 11 | 116-9103 | 1 | Caliper-Brake, RH | 39 | 116-9102 | 1 | Front Linkage ASM |
| 12 | 242-50 | 8 | Nut-Lug | 39:2 | 94-7572 | 1 | End-Tie Rod, RH |
| 13 | 109-0958 | 2 | Plate-Mount, Brake | 39:3 | 3220-3 | 1 | Nut-HJ |
| 14 | 92-5727 | 2 | Screw-Lock, Patch | 40 | 119-1415 | 2 | Pin-Cotter, Locking |
| 15 | 116-9061 | 1 | Mount-Bellcrank, LH | 41 | 3296-6 | 1 | Nut-Lock |
| 16 | 116-9062 | 1 | Mount-Bellcrank, RH | 42 | 116-9071 | 2 | Rear Linkage ASM |
| 17 | 126-2055 | 2 | Decal-Torque Wheel Lug-Hub | 42:1 | 116-9070 | 2 | Yoke |
| 18 | 116-9066 | 2 | Bellcrank | 42:3 | 3220-1 | 1 | Nut-Jam |
| 19 | 116-9072 | 4 | Bushing | 43 | 32120-19 | 4 | E-Ring |
| 20 | 126-3715 | 1 | Arm-Inner, LH | 44 | 323-6 | 2 | Screw-HH |
| 21 | 126-3716 | 1 | Arm-Inner, RH | 45 | 3296-39 | 2 | Nut-Lock, NI |
| 22 | 116-1399 | 2 | Locknut | 46 | 126-4162 | 1 | Decal-Cover |

Fuel Tank Mounting Assembly



Fuel Tank Mounting Assembly (continued)

| <i>Ref.</i> | <i>Part Number</i> | <i>Qty.</i> | <i>Description</i> | <i>Ref.</i> | <i>Part Number</i> | <i>Qty.</i> | <i>Description</i> |
|-------------|--------------------|-------------|-------------------------|-------------|--------------------|-------------|--------------------|
| 1 | 116-3978 | 1 | Fuel Tank ASM | 19 | 110-8751 | 1 | Hose-Fuel |
| 2 | 3218-1 | 2 | Nut-Jam | 21 | 98-2952 | 1 | Fitting-Straight |
| 3 | 116-6380 | 2 | Bumper-Rubber (W/ Stud) | 22 | 116-4344 | 1 | Hose-Fuel |

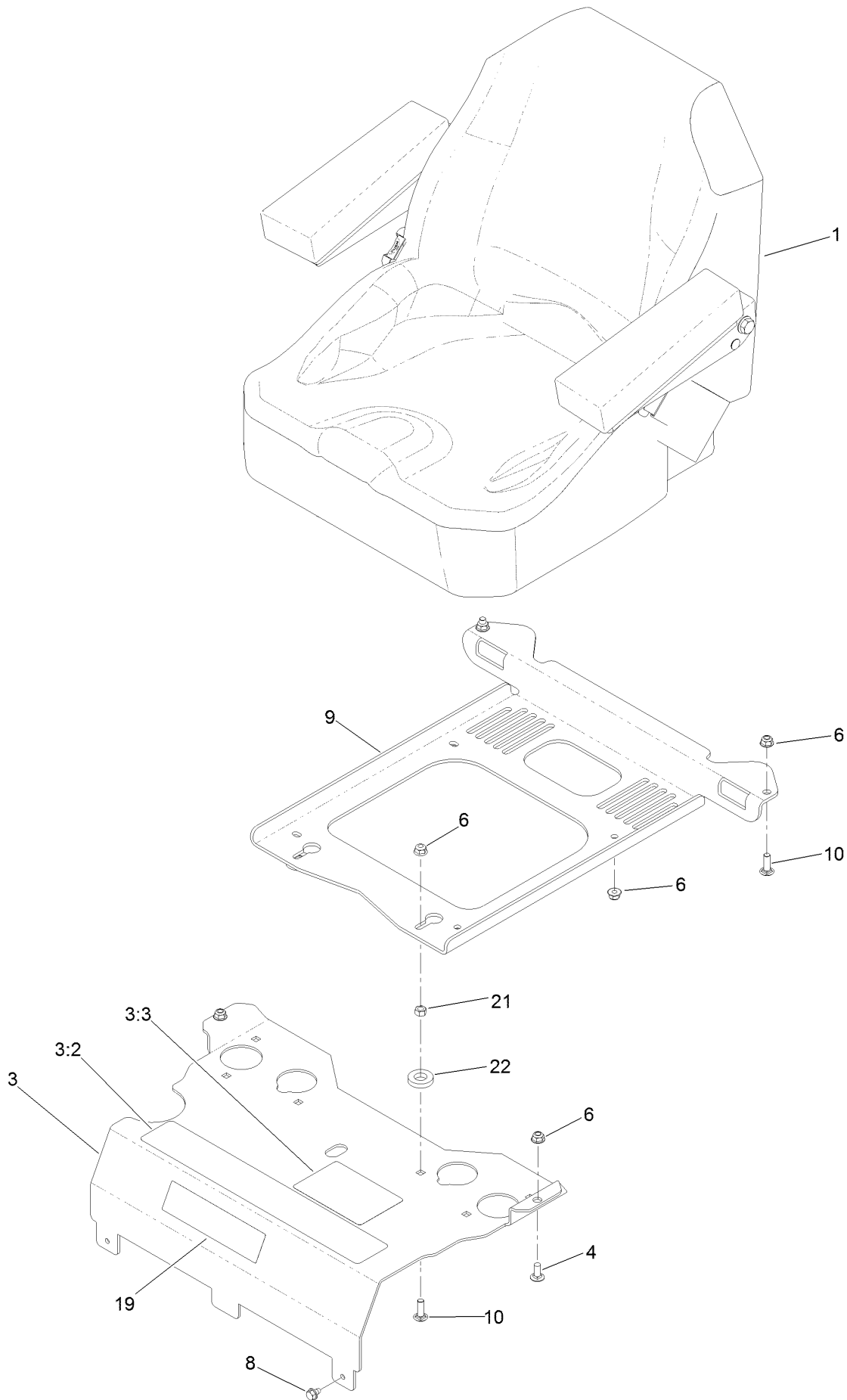
Fuel Tank Assembly No. 116-3978



Fuel Tank Assembly No. 116-3978 (continued)

| <i>Ref.</i> | <i>Part Number</i> | <i>Qty.</i> | <i>Description</i> | <i>Ref.</i> | <i>Part Number</i> | <i>Qty.</i> | <i>Description</i> |
|-------------|--------------------|-------------|---------------------------------|-------------|--------------------|-------------|---------------------|
| 2 | 46-6560 | 2 | Bushing | 7 | 109-0650 | 1 | Hose-Fuel |
| 3 | 116-2459 | 1 | Fuel Line Kit (With Grommet) | 8 | 2412-98 | 2 | Clamp-Hose |
| 3:1 | 46-6560 | 1 | Bushing | 9 | 116-1981 | 1 | Sender-Fuel |
| 4 | 116-2288 | 1 | Fitting-90 Elbow | 9:1 | 109-9620 | 1 | Gasket-Sender, Fuel |
| 5 | 126-1789 | 1 | Cap-Fuel, Ratcheting | 10 | 3253-17 | 5 | Washer-Lock |
| 6 | 1-603770 | 1 | Valve-Fuel | 11 | 9107944 | 5 | Screw-Pan |

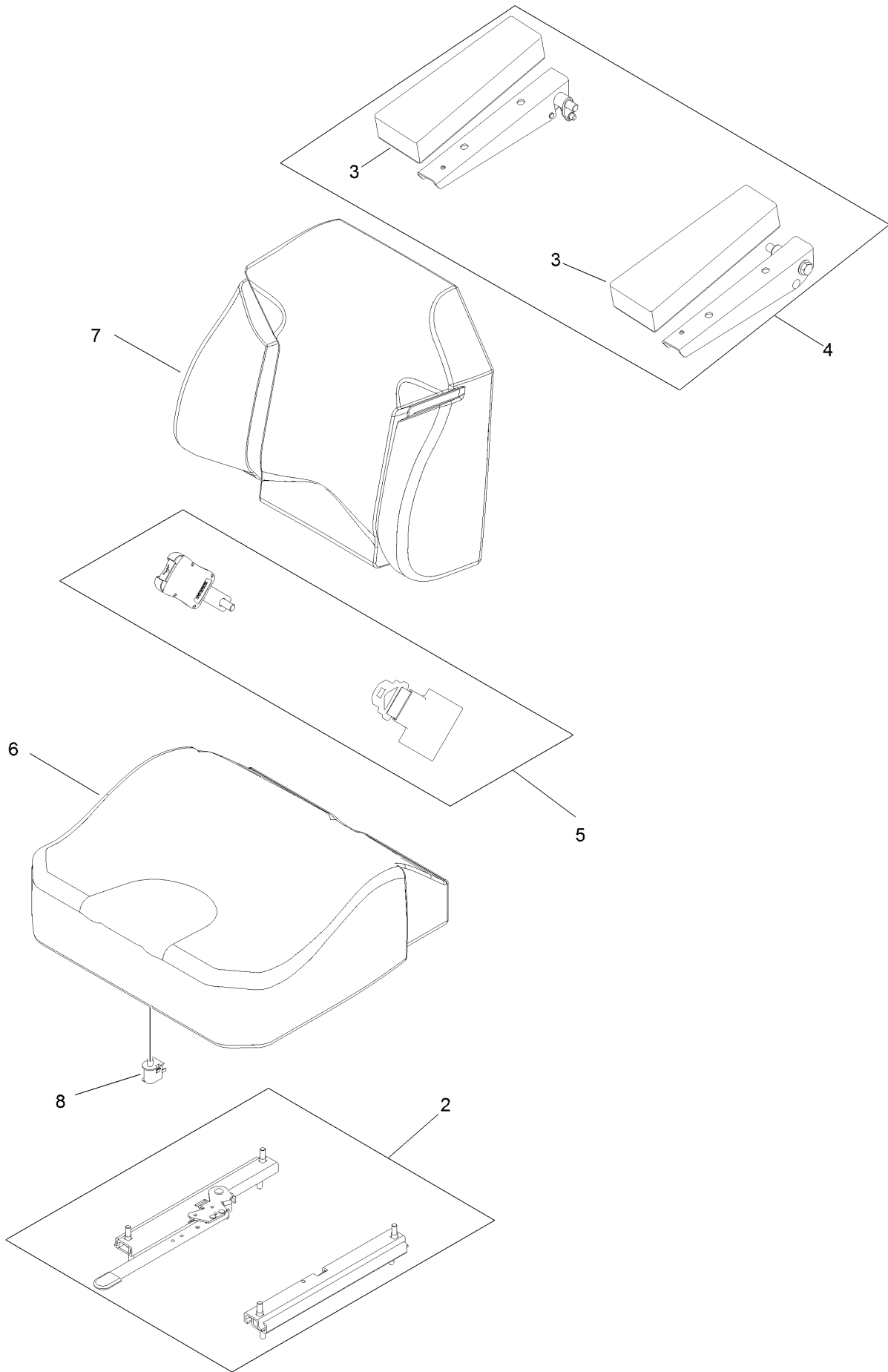
Seat Mount Assembly



Seat Mount Assembly (continued)

| <i>Ref.</i> | <i>Part Number</i> | <i>Qty.</i> | <i>Description</i> | <i>Ref.</i> | <i>Part Number</i> | <i>Qty.</i> | <i>Description</i> |
|-------------|--------------------|-------------|--------------------|-------------|--------------------|-------------|---------------------|
| 1 | 116-0038 | 1 | Seat ASM | 8 | 9266934 | 2 | Screw |
| 3 | 125-9385 | 1 | Seat Mount ASM | 9 | 116-0192-03 | 1 | Plate-Support, Seat |
| 3:2 | 116-8722 | 1 | Decal-Console | 10 | 3230-22 | 4 | Screw-CARR |
| 3:3 | 125-9383 | 1 | Decal-Service Aid | 19 | 114-5878 | 1 | Decal |
| 4 | 3230-23 | 2 | Screw-CARR | 21 | 3217-6 | 2 | Nut-Hex |
| 6 | 104-8300 | 10 | Nut-Flange, NI | 22 | 1-323539 | 2 | Spacer |

Seat Assembly No. 116-0038

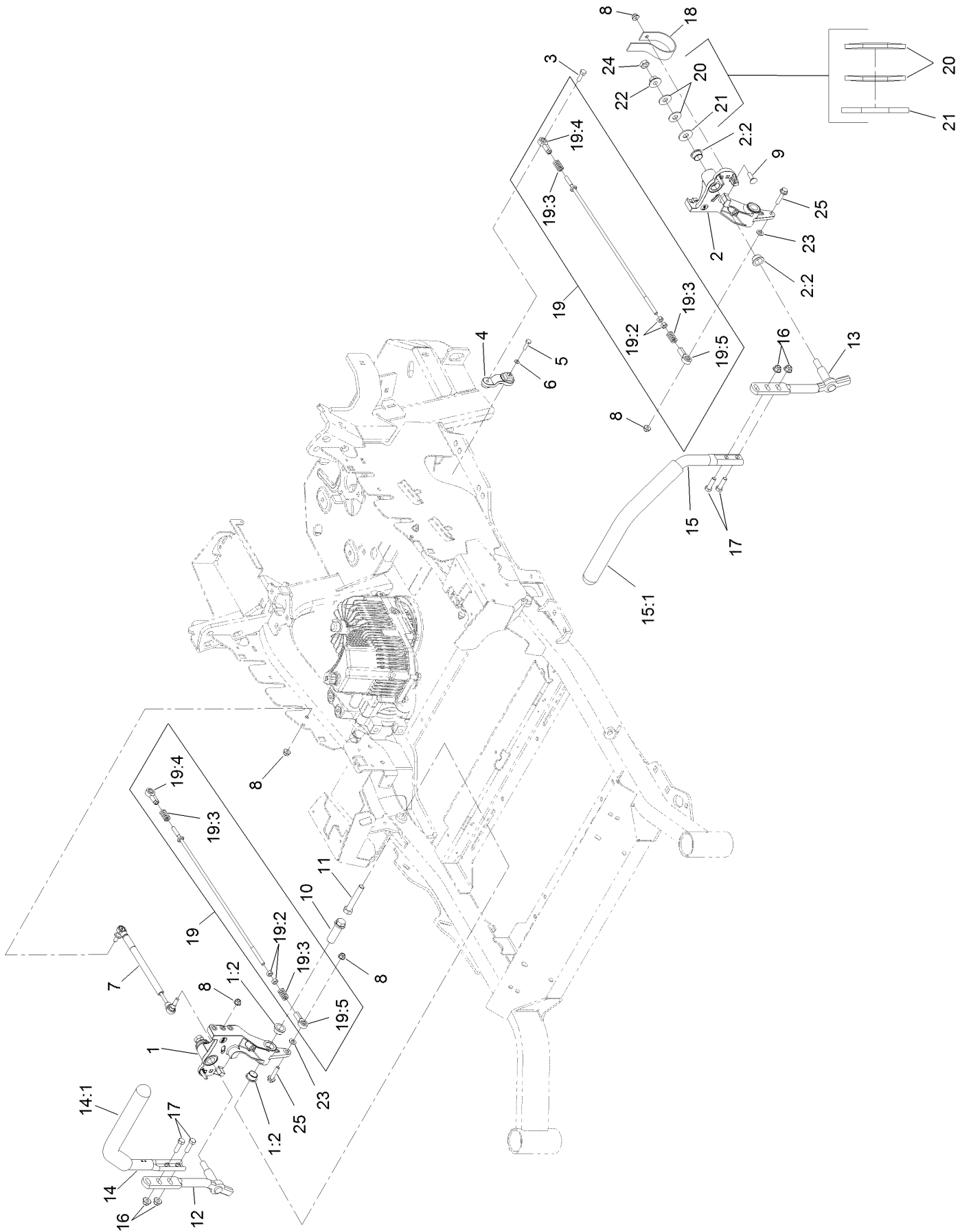


Seat Assembly No. 116-0038 (continued)

| <i>Ref.</i> | <i>Part Number</i> | <i>Qty.</i> | <i>Description</i> |
|-------------|--------------------|-------------|--------------------|
| 2 | 109-9801 | 1 | Seat Track Set |
| 3 | 109-9814 | 1 | Arm Rest Pads Set |
| 4 | 109-9816 | 1 | Arm Rest Kit |
| 5 | 109-9805 | 1 | Seat Belt Kit |

| <i>Ref.</i> | <i>Part Number</i> | <i>Qty.</i> | <i>Description</i> |
|-------------|--------------------|-------------|--------------------|
| 6 | 109-9819 | 1 | Cover-Cushion |
| 7 | 109-9810 | 1 | Cover-Back |
| 8 | 82-2190 | 1 | Switch-Bail |

Motion Control Assembly

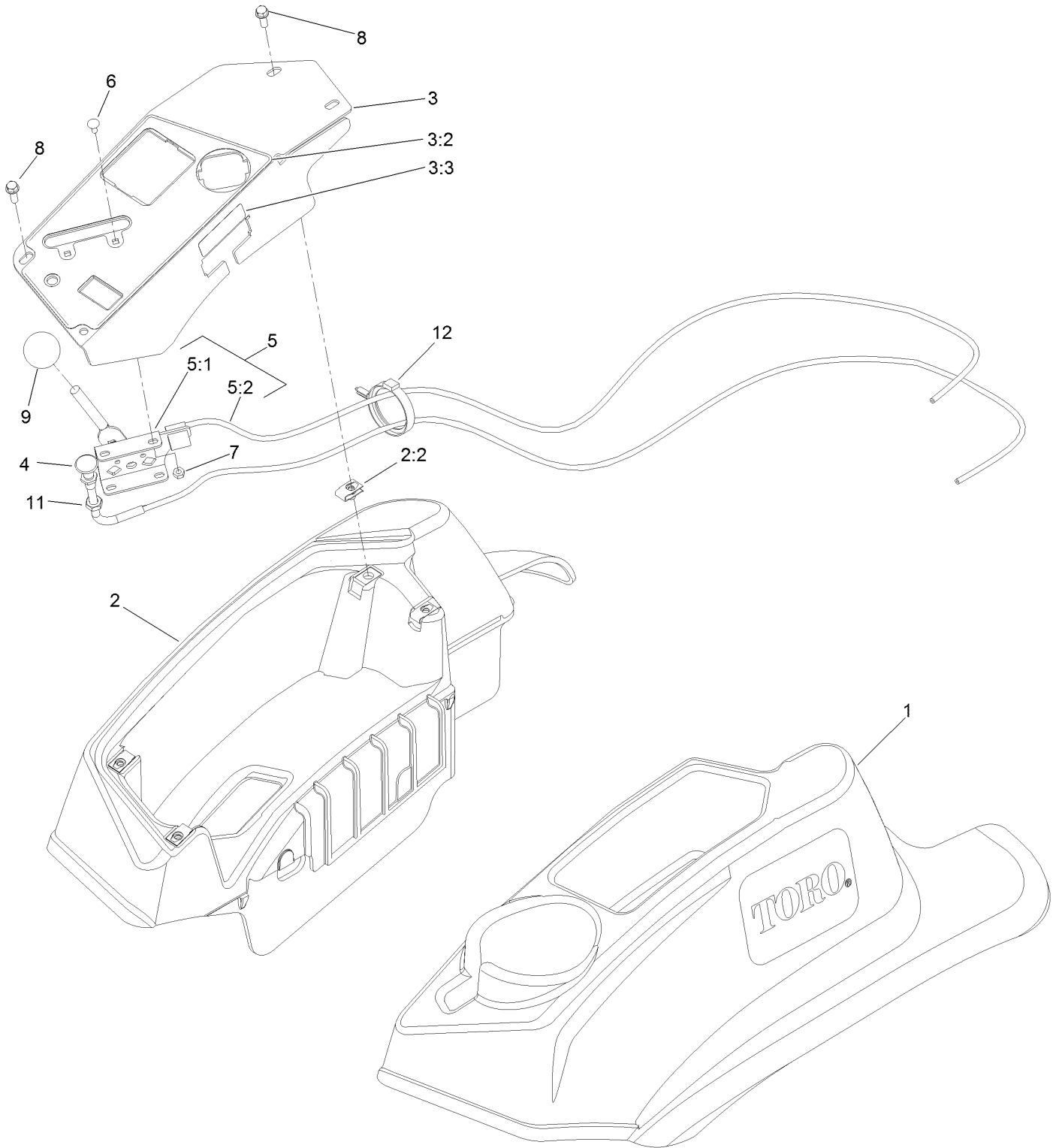


Motion Control Assembly (continued)

| <i>Ref.</i> | <i>Part Number</i> | <i>Qty.</i> | <i>Description</i> | <i>Ref.</i> | <i>Part Number</i> | <i>Qty.</i> | <i>Description</i> |
|-------------|--------------------|-------------|-----------------------------------|-------------|--------------------|-------------|------------------------|
| 1 | 116-0880 | 1 | RH Motion Control And Bushing ASM | 14 | 109-6589 | 1 | RH Steering Handle ASM |
| 1:2 | 109-8054 | 4 | Bushing-Flange | 14:1 | 109-5668 | 1 | Grip-Control, Lever |
| 2 | 116-0881 | 1 | LH Motion Control And Bushing ASM | 15 | 109-6590 | 1 | LH Steering Handle ASM |
| 2:2 | 109-8054 | 4 | Bushing-Flange | 15:1 | 109-5668 | 1 | Grip-Control, Lever |
| 3 | 116-0648 | 2 | Screw-HH, Thread Locking ● | 16 | 104-8301 | 4 | Nut-Flange, NI |
| 4 | 109-4581 | 2 | Arm-Control, Pump | 17 | 323-7 | 4 | Screw-HH |
| 5 | 9080046 | 2 | Screw-HH ● | 18 | 109-5575 | 2 | Spring-Leaf |
| 6 | 1-303435 | 2 | Washer-Spring | 19 | 109-8107 | 2 | Pump Linkage Rear ASM |
| 7 | 116-0027 | 2 | Damper-Control, Motion | 19:2 | 3219-2 | 2 | Nut-Hex |
| 8 | 104-8300 | 8 | Nut-Flange, NI | 19:3 | 1-323245 | 2 | Spring-Compression |
| 9 | 3230-2 | 2 | Bolt-CARR | 19:4 | 1-633152 | 1 | Balljoint-LH |
| 10 | 109-5891 | 2 | Hub-Threaded | 19:5 | 1-543017 | 1 | Balljoint-RH |
| 11 | 325-12 | 2 | Screw-HH | 20 | 109-9505 | 4 | Washer-Spring |
| 12 | 116-0039 | 1 | Lever-Control Motion, RH | 21 | 3256-6 | 2 | Washer-Flat |
| 13 | 116-0040 | 1 | Lever-Control Motion, LH | 22 | 32128-56 | 2 | Nut-HF |
| | | | | 23 | 3256-23 | 2 | Washer-Flat |
| | | | | 24 | 3218-5 | 2 | Nut-Jam |
| | | | | 25 | 115-1794 | 2 | Screw-HHF |

● Use Pro-Lock, Nut Type (P/N 1-840022, .5ml tube) on threads.

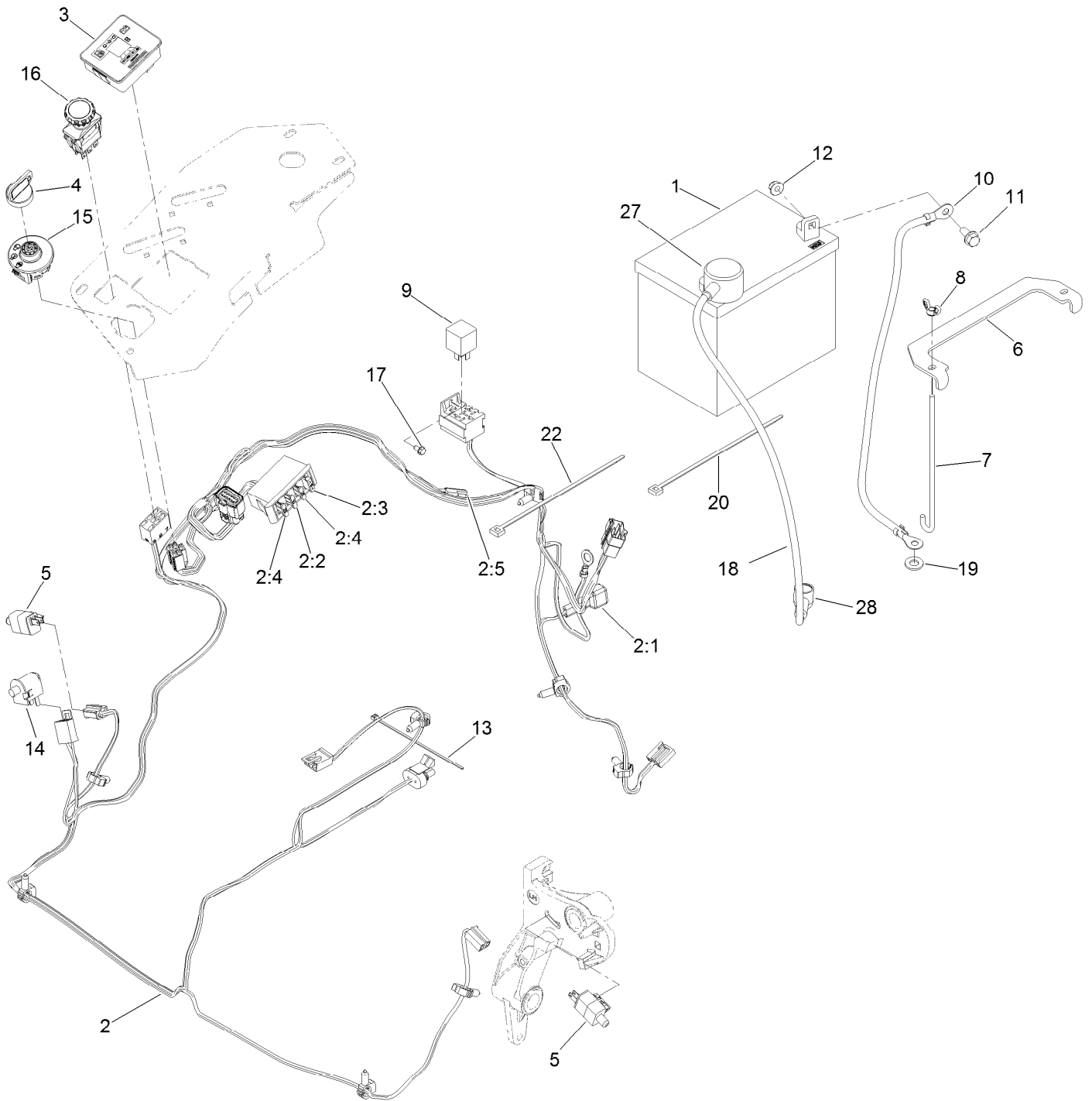
Console and Control Panel Assembly



Console and Control Panel Assembly (continued)

| <i>Ref.</i> | <i>Part Number</i> | <i>Qty.</i> | <i>Description</i> | <i>Ref.</i> | <i>Part Number</i> | <i>Qty.</i> | <i>Description</i> |
|-------------|--------------------|-------------|----------------------|-------------|--------------------|-------------|--------------------|
| 1 | 119-2602 | 1 | LH Console ASM | 5:1 | 112-2334 | 1 | Lever-Throttle |
| 2 | 119-2603 | 1 | RH Console ASM | 5:2 | 110-5728 | 1 | Cable-Throttle |
| 2:2 | 107069 | 4 | Clip | 6 | 1-807513 | 2 | Bolt-CARR |
| 3 | 119-6663 | 1 | Control Panel ASM | 7 | 3296-2 | 2 | Nut-Lock, NI |
| 3:2 | 121-7551 | 1 | Decal-Control Panel | 8 | 32105-15 | 4 | Screw-HWH |
| 3:3 | 114-4466 | 1 | Decal-Fuses | 9 | 1-603175 | 1 | Knob-Ball |
| 4 | 115-2753 | 1 | Control-Choke | 11 | 3220-3 | 1 | Nut-HJ |
| 5 | 110-5727 | 1 | Throttle Control ASM | 12 | 117-7817 | 1 | Clamp-Harness |

Electrical Assembly



Electrical Assembly (continued)

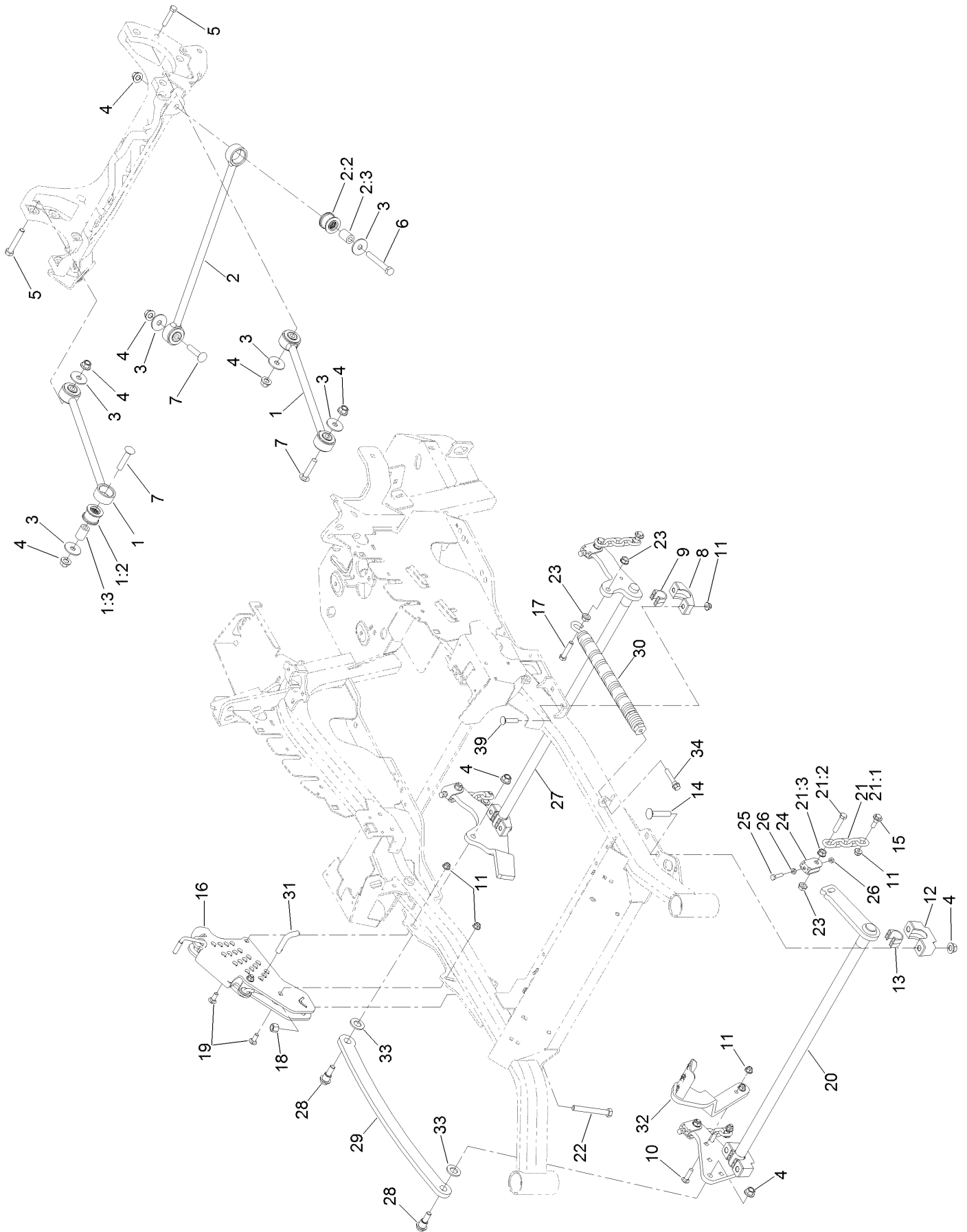
| <i>Ref.</i> | <i>Part Number</i> | <i>Qty.</i> | <i>Description</i> | <i>Ref.</i> | <i>Part Number</i> | <i>Qty.</i> | <i>Description</i> |
|-------------|--------------------|-------------|---------------------------|-------------|--------------------|-------------|-------------------------|
| 1 | 104-8162 | 1 | Battery-Dry | 10 | 114-1218 | 1 | Cable-Battery, Negative |
| 1 | | 1 | Battery (300 Cca, Wet) ●■ | 11 | 3234-5 | 2 | Screw-HHF |
| 2 | 116-6009 | 1 | Harness-Wire, Main ▲ | 12 | 104-8300 | 2 | Nut-Flange, NI |
| 2:1 | 103-3895 | 1 | Diode-Tvs | 13 | 1-303287 | 3 | Tie-Cable |
| 2:2 | 218-578 | 1 | Fuse-Blade, 10 Amp | 14 | 82-2190 | 1 | Switch-Bail |
| 2:3 | 109355 | 1 | Fuse-Blade, 15 Amp | 15 | 117-2221 | 1 | Switch-Ignition |
| 2:4 | 109102 | 2 | Fuse-Blade, 25 Amp | 16 | 116-0124 | 1 | Switch-PTO, 10A |
| 2:5 | 116-0053 | 1 | Cap-Plug | 17 | 104-2065 | 1 | Screw-HWH |
| 3 | 117-3882 | 1 | Fuel/Hour Meter ASM | 18 | 115-3864 | 1 | Cable-Battery, Positive |
| 4 | 63-8360 | 1 | Key-Ignition | 19 | 3256-24 | 1 | Washer-Flat |
| 5 | 110-6765 | 2 | Switch | 20 | 1-303335 | 1 | Tie-Plastic |
| 6 | 116-0042-03 | 1 | Strap-Tie Down, Battery | 22 | 1-303335 | 1 | Tie-Plastic |
| 7 | 1-633651 | 2 | Bolt-Holddown | 27 | 109-2407 | 1 | Insulator-Battery |
| 8 | 1-543792 | 2 | Wingnut | 28 | 1-543393 | 1 | Insulator-Solenoid |
| 9 | 1-643275 | 1 | Relay | | | | |

● Obtain locally.

■ Not serviced separately

▲ Use dielectric grease on all unsealed connectors and terminals only. Do not apply in sealed connectors.

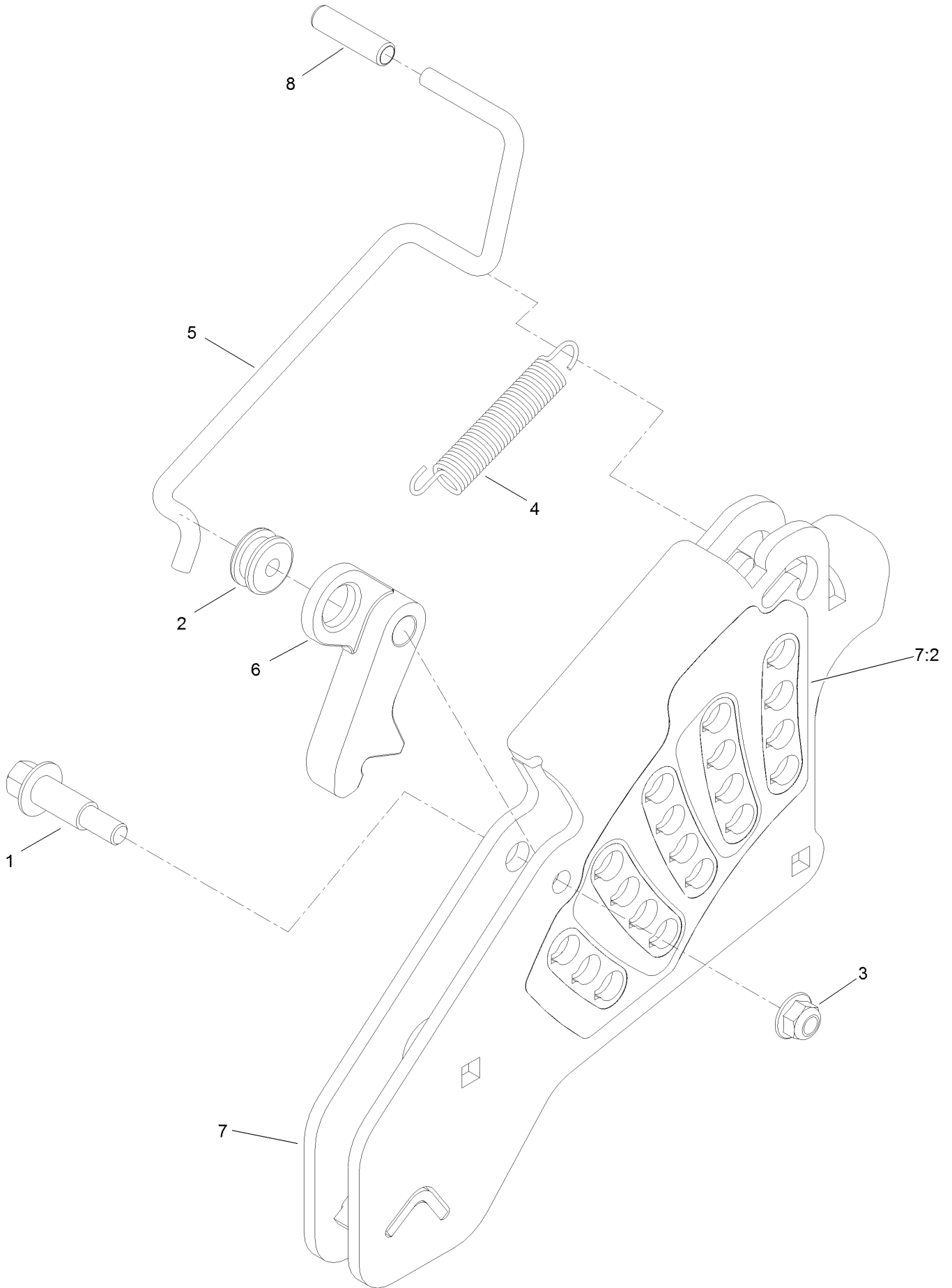
Deck Lift Assembly



Deck Lift Assembly (continued)

| <i>Ref.</i> | <i>Part Number</i> | <i>Qty.</i> | <i>Description</i> | <i>Ref.</i> | <i>Part Number</i> | <i>Qty.</i> | <i>Description</i> |
|-------------|--------------------|-------------|---------------------------------------|-------------|--------------------|-------------|----------------------|
| 1 | 109-7952 | 2 | Deck Strut ASM | 16 | 109-7438 | 1 | HOC ASM |
| 1:2 | 109-5009 | 2 | Bushing-Suspension, Rubber | 17 | 109-9065 | 1 | Screw-HH |
| 1:3 | 109-5010 | 2 | Spacer | 18 | 3296-23 | 1 | Nut-Lock, NI |
| 2 | 109-5013 | 1 | Panhard Rod ASM | 19 | 3231-2 | 2 | Bolt-CARR |
| 2:2 | 109-5009 | 2 | Bushing-Suspension, Rubber | 20 | 126-2475-03 | 1 | Decklift-Front |
| 2:3 | 109-5010 | 2 | Spacer | 21 | 116-0756 | 4 | Deck Lift Chain ASM |
| 3 | 86-1990 | 6 | Washer-Thrust | 21:1 | 1-633447 | 1 | Chain-Lift, Deck |
| 4 | 99-5107 | 12 | Nut-Lock | 21:2 | 109-9065 | 1 | Screw-HH |
| 5 | 325-12 | 2 | Screw-HH | 21:3 | 32128-37 | 1 | Nut-HF |
| 6 | 325-17 | 1 | Screw-HH | 22 | 116-0559 | 1 | Bolt-TAP |
| 7 | 3233-34 | 3 | Screw-CARR | 23 | 32128-37 | 6 | Nut-HF |
| 8 | 116-0818-03 | 2 | Support-Cross Shaft, Rear Bearing | 24 | 109-9066 | 4 | Yoke-Adjust, Deck |
| 9 | 109-7173 | 2 | Bearing-Cross Shaft, Rear | 25 | 322-47 | 4 | Screw-HH |
| 10 | 3231-4 | 2 | Screw-CARR | 26 | 3218-2 | 8 | Nut-Jam |
| 11 | 104-8301 | 12 | Nut-Flange, NI | 27 | 116-0459-03 | 1 | Lift-Deck, Rear |
| 12 | 109-9409 | 2 | Support-Cross Shaft, Front Bearing | 28 | 116-0780 | 2 | Screw-HHF, Shoulder |
| 13 | 109-9410 | 2 | Bearing-Cross Shaft, Front | 29 | 116-0797-03 | 1 | Link-Lift, Deck |
| 14 | 116-1700 | 4 | Bolt-CARR | 30 | 116-0886 | 1 | Extension Spring ASM |
| 15 | 109-9840 | 4 | Screw-Shoulder, HHF | 31 | 116-5584 | 1 | Pin-HOC |
| | | | | 32 | 116-1919-01 | 1 | Lever-Foot |
| | | | | 33 | 3256-28 | 2 | Washer-Flat |
| | | | | 34 | 92-7674 | 1 | Bolt-Shoulder |
| | | | | 39 | 3231-5 | 4 | Screw-CARR |

Height-of-Cut Assembly No. 109-7438



Height-of-Cut Assembly No. 109-7438 (continued)

| <i>Ref.</i> | <i>Part Number</i> | <i>Qty.</i> | <i>Description</i> | <i>Ref.</i> | <i>Part Number</i> | <i>Qty.</i> | <i>Description</i> |
|-------------|--------------------|-------------|---------------------|-------------|--------------------|-------------|---------------------|
| 1 | 62-1330 | 1 | Bolt-Shoulder | 6 | 116-0118 | 1 | Pawl-Transport, HOC |
| 2 | 109-7130 | 1 | Grommet | 7 | 109-7335 | 1 | HOC Plate ASM |
| 3 | 104-8301 | 1 | Nut-Flange, NI | 7:2 | 126-4398 | 1 | Decal-HOC |
| 4 | 109-7124 | 1 | Spring-Extension | 8 | 109-8250 | 1 | Grip-Lever |
| 5 | 109-7128 | 1 | Rod-Lock, Transport | | | | |

Engine, Clutch and Muffler Assembly (continued)

| <i>Ref.</i> | <i>Part Number</i> | <i>Qty.</i> | <i>Description</i> | <i>Ref.</i> | <i>Part Number</i> | <i>Qty.</i> | <i>Description</i> |
|-------------|--------------------|-------------|-------------------------------------|-------------|--------------------|-------------|--------------------|
| 1 | | 1 | Engine-Kawasaki, Fx691V-S17-R ●■ | 11 | 116-1435 | 1 | Bracket-Muffler |
| 2 | 1-303334 | 1 | Washer-Spring | 12 | 116-2612-01 | 1 | Clutch-Anchor |
| 3 | 109-6919 | 1 | Washer-Clutch | 13 | 323-7 | 4 | Screw-HH |
| 4 | 1-603610 | 2 | Washer-Spring | 14 | 33114-020 | 1 | Screw-HH |
| 5 | 1-807259 | 1 | Key | 15 | 109-9761 | 1 | Screw-HH ◆ |
| 6 | 104-8301 | 1 | Nut-Flange, NI | 16 | 3231-22 | 1 | Screw-CARR |
| 7 | 116-1715 | 1 | Muffler | 17 | 94-2413 | 2 | U-Nut |
| 8 | 116-1946 | 1 | Sheave-Pump, Drive | 18 | 3234-5 | 2 | Screw-HHF |
| 9 | 116-4924 | 1 | Engine Oil Drain Hose ASM ▲ | 19 | 2412-98 | 2 | Clamp-Hose |
| 9:1 | 353-508 | 1 | Plug-HH | 20 | 105-1853 | 1 | Clamp-Hose |
| 9:1:1 | 237-42 | 1 | O-Ring | 21 | 109-0296 | 1 | Hose-Fuel |
| 10 | 116-1947 | 1 | Clutch | 22 | 98-5975 | 4 | Washer-Belleville |
| | | | | 24 | 33094-00 | 1 | Washer-Plain |
| | | | | 27 | 95-4184 | 1 | Screw-HHF |

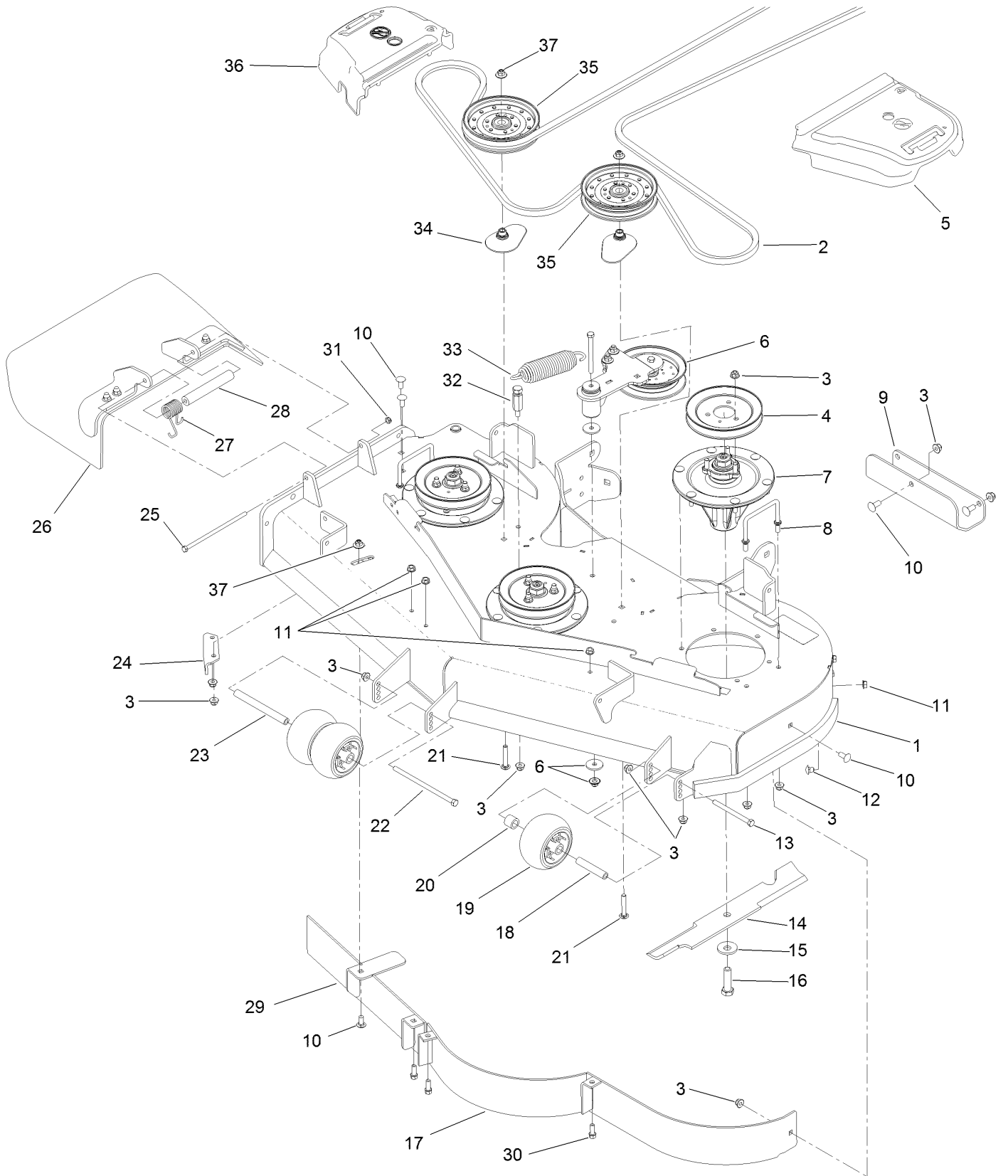
● Not serviced separately

▲ Use a Teflon Pipe Sealant or equivalent on threads.

◆ Use Pro-Lock, Nut Type (P/N 1-840022, .5ml tube) on threads.

■ Obtain parts from www.kawpowerepc.com

Deck Assembly

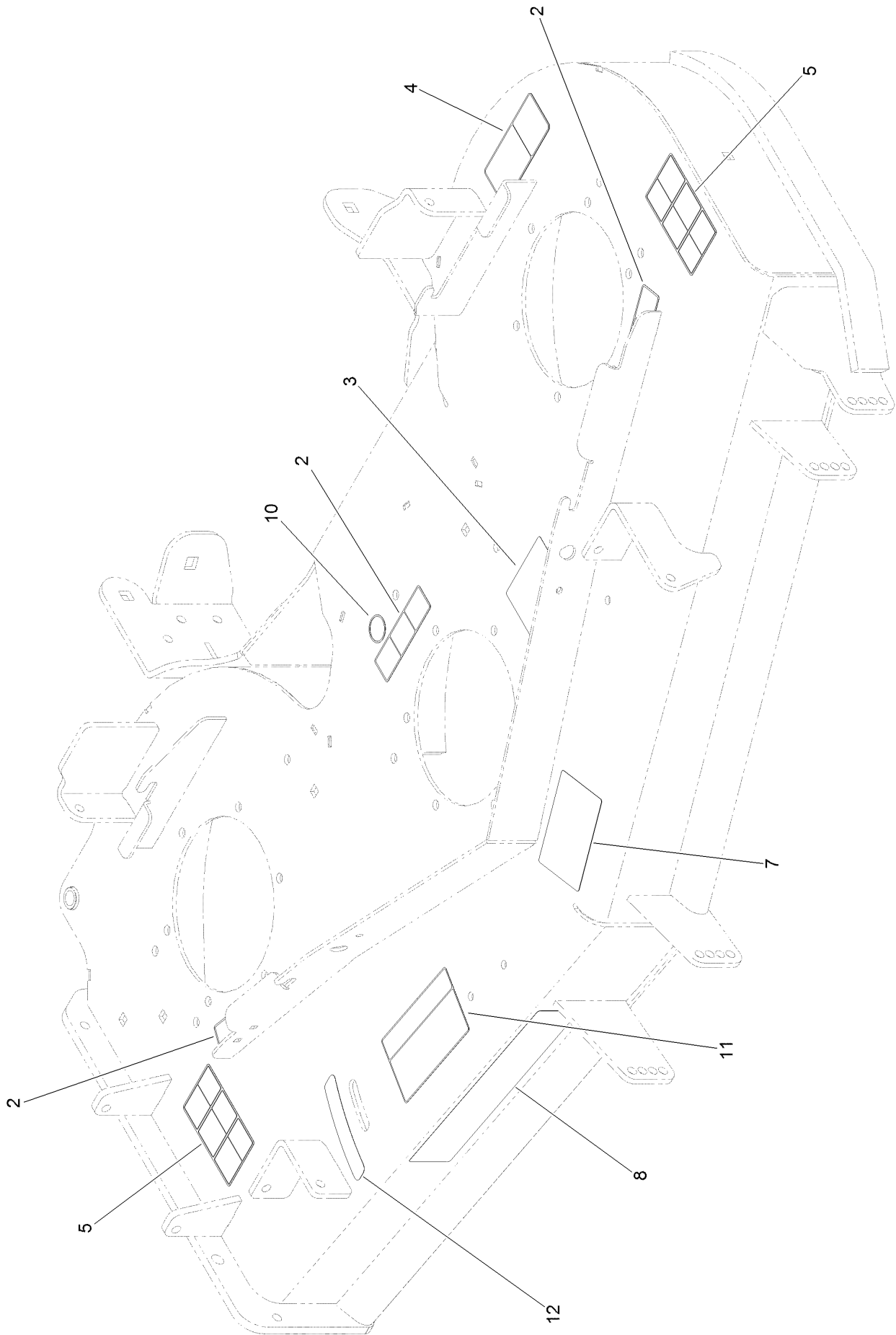


Deck Assembly (continued)

| <i>Ref.</i> | <i>Part Number</i> | <i>Qty.</i> | <i>Description</i> | <i>Ref.</i> | <i>Part Number</i> | <i>Qty.</i> | <i>Description</i> |
|-------------|--------------------|-------------|--------------------------|-------------|--------------------|-------------|-----------------------|
| 1 | 114-5810 | 1 | Deck Decal ASM | 20 | 98-7913 | 1 | Tube-Spacer |
| 2 | 115-7426 | 1 | Belt-V | 21 | 3231-40 | 2 | Bolt-CARR, Short Neck |
| 3 | 104-8301 | 41 | Nut-Flange, NI | 22 | 108-5388 | 1 | Screw-HH |
| 4 | 115-7450 | 3 | Pulley | 23 | 98-5967 | 1 | Spacer-Wheel |
| 5 | 109-6936 | 1 | Cover-Belt, LH | 24 | 107-8541-01 | 1 | Baffle-Discharge |
| 6 | | 1 | Idler Arm ASM ● | 25 | 322-50 | 1 | Screw-HH |
| 7 | 119-8560 | 3 | Spindle ASM | 26 | 108-2792 | 1 | Rubber Deflector ASM |
| 8 | 109-6982 | 2 | Wireform-Cover | 27 | 108-4052 | 1 | Spring-Torsion |
| 9 | 121-7975-01 | 1 | Plate-Skid | 28 | 105-4622 | 1 | Spacer |
| 10 | 3231-27 | 8 | Screw-CARR | 29 | 115-7455-01 | 1 | Baffle ASM |
| 11 | 3290-357 | 6 | Nut-HHF, Whiz | 30 | 92-1624 | 3 | Screw-HWH |
| 12 | 108-5387 | 3 | Screw-CARR | 31 | 3296-47 | 1 | Nut-Lock, NI |
| 13 | 323-23 | 1 | Screw-HH | 32 | 114-5867 | 1 | Anchor-Spring, Tall |
| 14 | 105-7781-03 | 3 | Blade-18In, Hi Flow | 33 | 116-6317 | 1 | Spring-Extension |
| 15 | 103-0865 | 3 | Washer-Blade Bolt, Heavy | 34 | 109-2872 | 2 | Spacer-Pulley |
| 16 | 51-4060 | 3 | Screw-Blade | 35 | 116-4670 | 2 | Pulley-Idler, Flat |
| 17 | 115-7461-01 | 1 | Baffle ASM | 36 | 109-6935 | 1 | Cover-Belt, RH |
| 18 | 98-7912 | 1 | Tube-Spanner | 37 | 109-6658 | 3 | Nut-Flange, NI |
| 19 | 1-603299 | 3 | Roller-Scalp, Anti | | | | |

● Not serviced separately

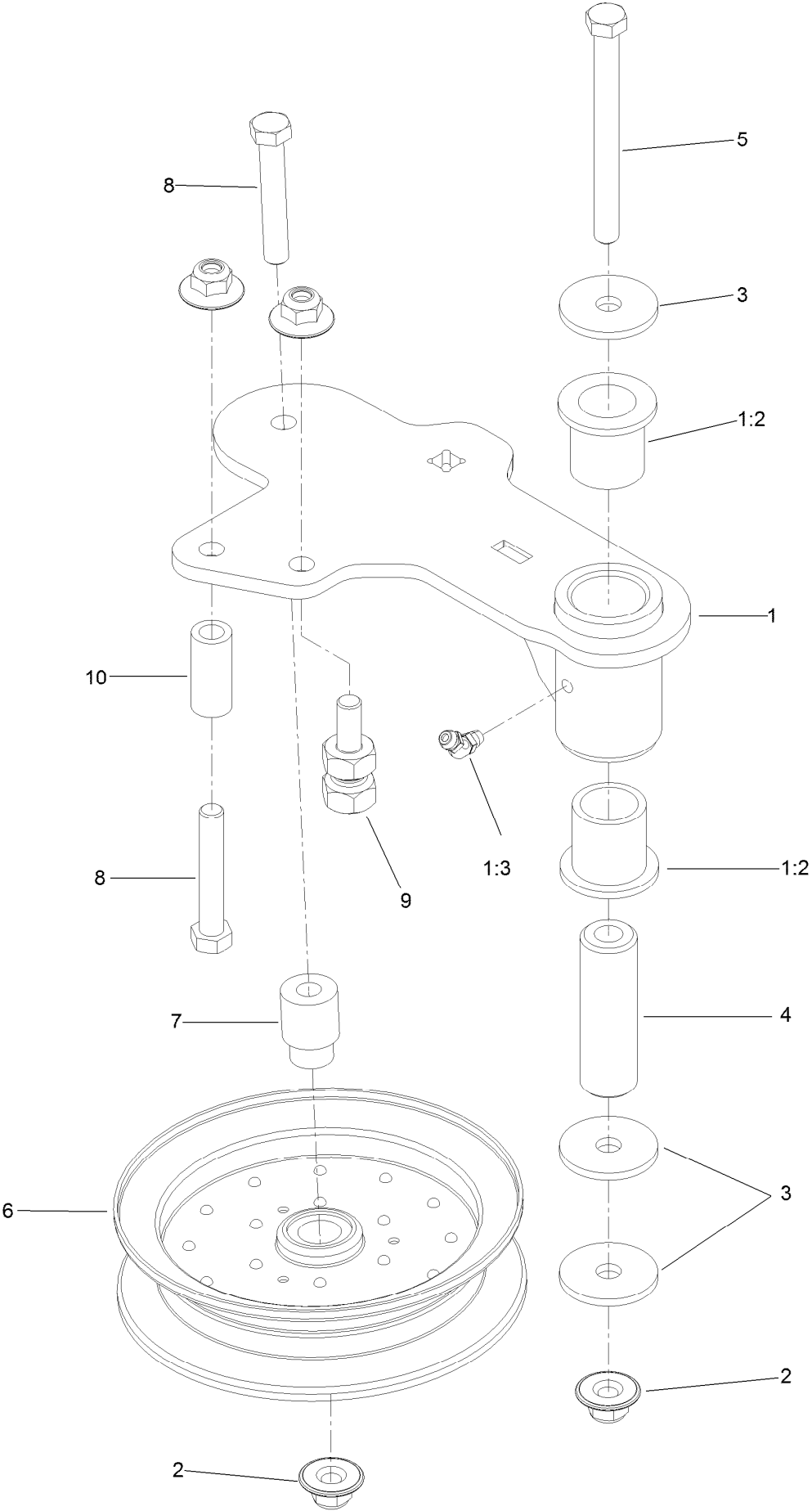
Deck Decal Assembly No. 114-5810



Deck Decal Assembly No. 114-5810 (continued)

| <i>Ref.</i> | <i>Part Number</i> | <i>Qty.</i> | <i>Description</i> | <i>Ref.</i> | <i>Part Number</i> | <i>Qty.</i> | <i>Description</i> |
|-------------|--------------------|-------------|--------------------------|-------------|--------------------|-------------|--------------------------|
| 2 | 112-9028 | 3 | Decal-Cover Missing | 8 | 107-1618 | 1 | Decal |
| 3 | 115-7445 | 1 | Decal-Routing, Deck Belt | 10 | 58-6520 | 1 | Decal-Grease |
| 4 | 93-7818 | 1 | Decal-Torque, Blade Bolt | 11 | 110-2068 | 1 | Decal-Adjustment, Baffle |
| 5 | 117-3848 | 2 | Decal-Danger | 12 | 110-2067 | 1 | Decal-Setting, Baffle |
| 7 | 127-0326 | 1 | Decal-Anti Scalp | | | | |

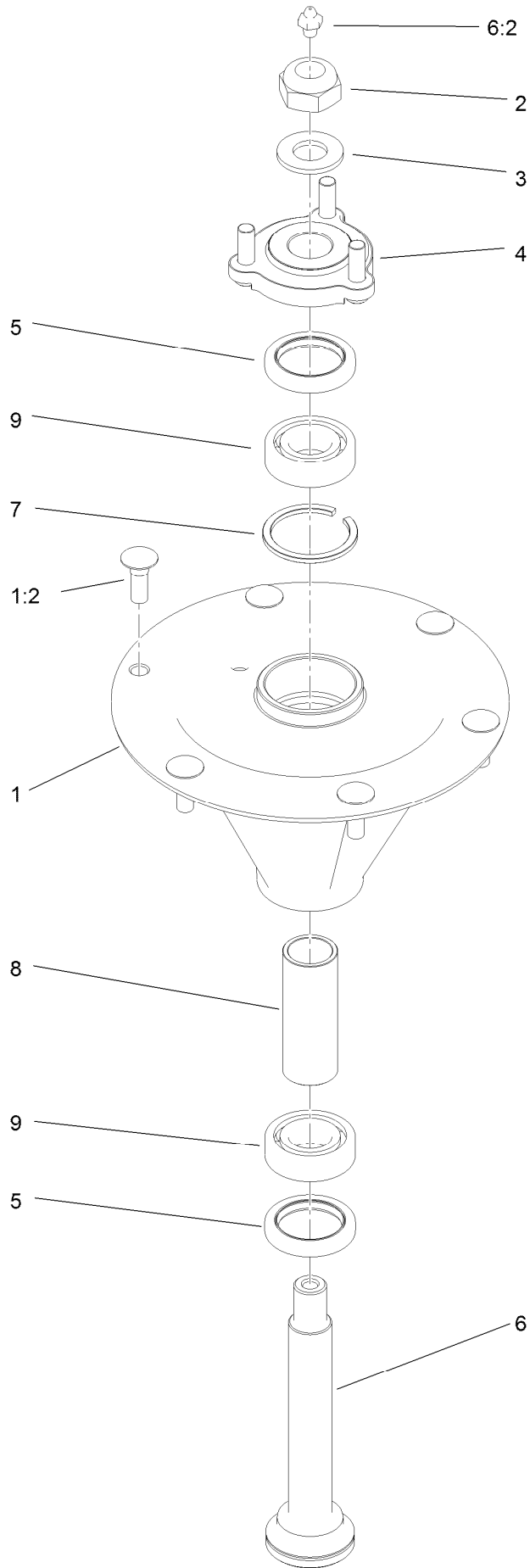
Idler Assembly



Idler Assembly (continued)

| <i>Ref.</i> | <i>Part Number</i> | <i>Qty.</i> | <i>Description</i> | <i>Ref.</i> | <i>Part Number</i> | <i>Qty.</i> | <i>Description</i> |
|-------------|--------------------|-------------|--------------------|-------------|--------------------|-------------|-----------------------|
| 1 | 114-5870 | 1 | Idler Arm ASM | 5 | 98-5961 | 1 | Screw-HH |
| 1:2 | 1-303514 | 2 | Bearing-Flanged | 6 | 116-4668 | 1 | Idler-Pulley, Flanged |
| 1:3 | 1481 | 1 | Fitting-Grease | 7 | 112-4212 | 1 | Mount-Pulley |
| 2 | 109-6658 | 4 | Nut-Flange, NI | 8 | 323-11 | 2 | Screw-HH |
| 3 | 1-213069 | 3 | Washer | 9 | 114-5866 | 1 | Anchor-Spring, Short |
| 4 | 114-5848 | 1 | Spacer-Plain | 10 | 104-0151 | 1 | Spacer |

Spindle Assembly No. 119-8560



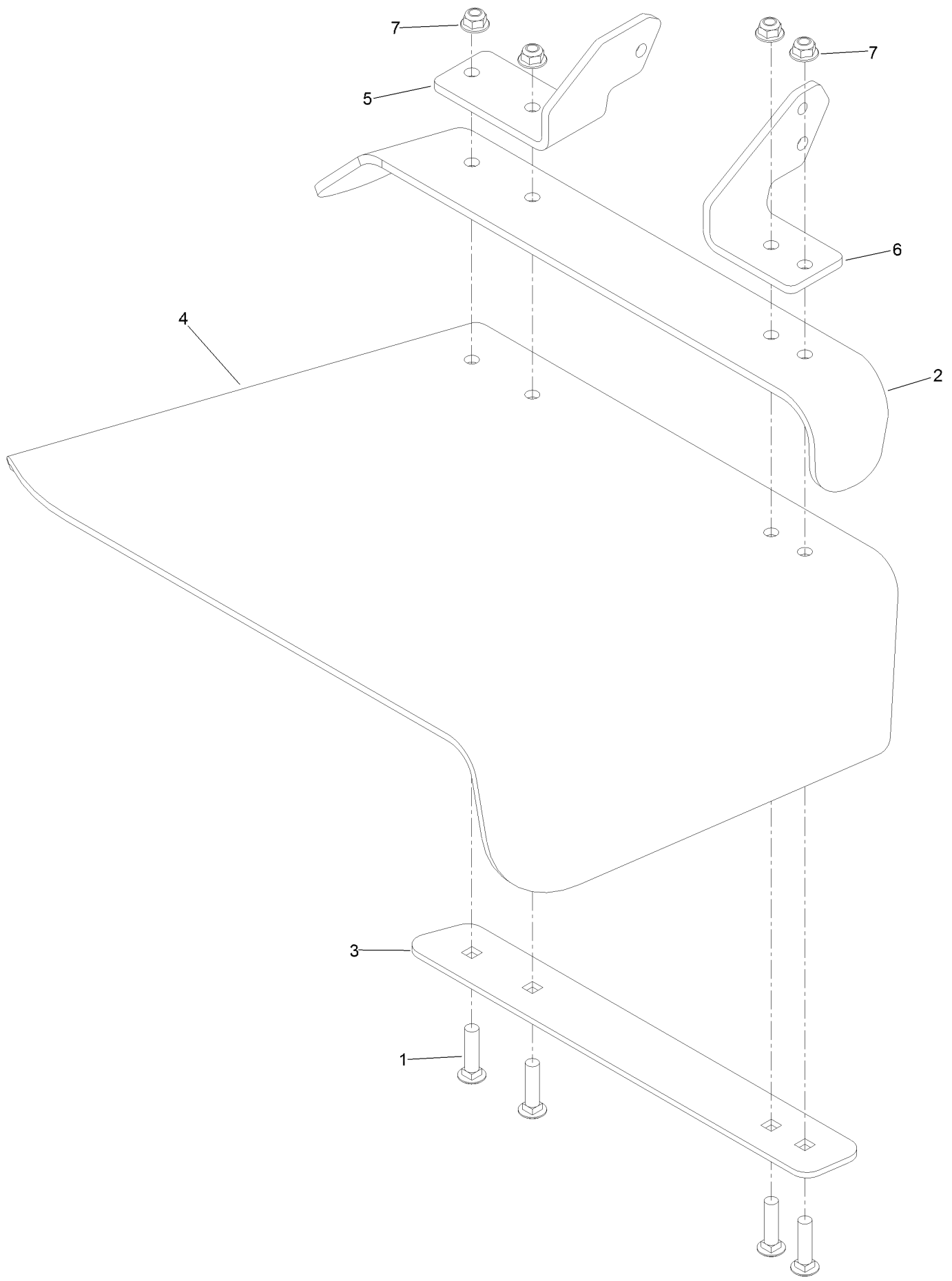
Spindle Assembly No. 119-8560 (continued)

| <i>Ref.</i> | <i>Part Number</i> | <i>Qty.</i> | <i>Description</i> |
|-------------|--------------------|-------------|------------------------------------|
| 1 | | 1 | Spindle Housing And Studs ASM ● |
| 1:2 | 114-8195 | 6 | Bolt-Ribbed Neck |
| 2 | 3296-67 | 1 | Nut-Lock, NI |
| 3 | 92-5836 | 1 | Washer |
| 4 | 117-6172 | 1 | Spindle Hub ASM |

| <i>Ref.</i> | <i>Part Number</i> | <i>Qty.</i> | <i>Description</i> |
|-------------|--------------------|-------------|--------------------|
| 5 | 253-133 | 2 | Seal-Oil |
| 6 | 119-8527 | 1 | Shaft-Spindle |
| 6:2 | 302-2 | 1 | Fitting-Grease |
| 7 | 119-8532 | 1 | Snap Ring |
| 8 | 117-6184 | 1 | Spacer |
| 9 | 119-8558 | 2 | Bearing-Noseal |

● Not serviced separately

Rubber Deflector Assembly No. 108-2792



Rubber Deflector Assembly No. 108-2792 (continued)

| <i>Ref.</i> | <i>Part Number</i> | <i>Qty.</i> | <i>Description</i> | <i>Ref.</i> | <i>Part Number</i> | <i>Qty.</i> | <i>Description</i> |
|-------------|--------------------|-------------|--------------------|-------------|--------------------|-------------|--------------------|
| 1 | 3231-4 | 4 | Screw-CARR | 5 | 108-4059-01 | 1 | Plate-Hinge, Rear |
| 2 | 106-3246-01 | 1 | Deflector | 6 | 106-3253-01 | 1 | Plate-Hinge, Front |
| 3 | 106-3248-03 | 1 | Strap-Discharge | 7 | 104-8301 | 4 | Nut-Flange, NI |
| 4 | 108-5029 | 1 | Deflector-Rubber | | | | |

Attachments and Accessories

For 74953 Z Master Commercial 3000 Series Riding Mower with 52in TURBO FORCE Side Discharge Mower

| Product Name | Model/Part |
|--|-------------------|
| Blade-Recycler, 18in..... | 105-7779-03 |
| Blade-Hi Flow, 18in..... | 105-7781-03 |
| Blade-Med Flow, 18in..... | 105-7794-03 |
| Blade-Low Flow, 18in..... | 105-7795-03 |
| Blade-Atomic, 18in..... | 105-7796-03 |
| Turbo Baffle Kit..... | 107-1634 |
| Blade-Hi Flow, 18in (6 Pack)..... | 108-1117 |
| Blade-Atomic, 18in (6 Pack)..... | 108-1118 |
| Anti-Scalp Kit (Trim Side)..... | 108-4140 |
| Hitch Kit..... | 109-9487 |
| Blade-Lo Flow, 18in (6 Pack)..... | 110-0406 |
| Blade-Recycler, 18in (6 Pack)..... | 110-0408 |
| Blade-Med Flow, 18in (6 Pack)..... | 110-0409 |
| Hypr-Oil 500 (quart)..... | 114-4713 |
| Hypr-Oil 500 (gallon)..... | 114-4714 |
| Hypr-Oil 500-5 (5 gallon)..... | 114-4715 |
| Bimini Folding Shade Assembly..... | 115-4510 |
| Recycler Kit..... | 115-7467 |
| Roller Striper Kit..... | 115-7470 |
| Light Kit..... | 116-1154 |
| Operator Controlled Discharge Chute Kit..... | 117-3600 |
| Deluxe Suspension Seat Kit..... | 117-6174 |
| Z Stand Kit..... | 121-4811 |
| Deluxe Seat Kit..... | 121-7595 |
| Seat Tilt Frame And Iso Mount Kit..... | 121-7596 |
| MVP Belt and Blade Kit..... | 127-1635 |
| Toro Deluxe Rider Cover..... | 490-7319 |
| Spark Arrestor Screen..... | 75-6880 |
| Blower and Drive Kit..... | 78552 |
| E-Z Vac Twin Bagging System..... | 78562 |
| E-Z Vac DFS Collection System..... | 78566 |
| Filter Minder Gauge..... | 99-4664 |
| Trash Holder Kit..... | TC26 |

Notes:



Count on it.