



PART NO. 92-9656

INSTALLATION INSTRUCTIONS

BACKLAPPING KIT FOR GREENMASTER® 3000

ASSEMBLY

- 1. Remove cutting unit motors and motor mounting nuts.
- 2. Tighten spline nut on right end of each cutting unit to 65-70 ft. lb. (Fig. 1).
- 3. Install new cutting unit motors with mounting nuts previously removed.
- 4. Identify correct fitting locations and position for each cutting unit by referring to Figures 2, 3 and 4.

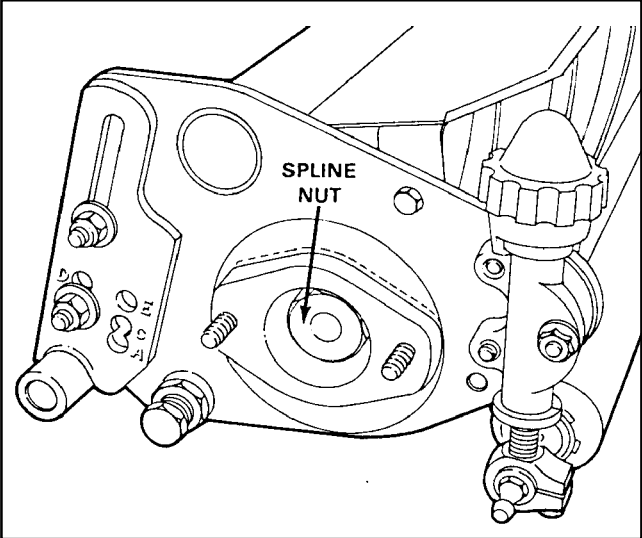


Figure 1

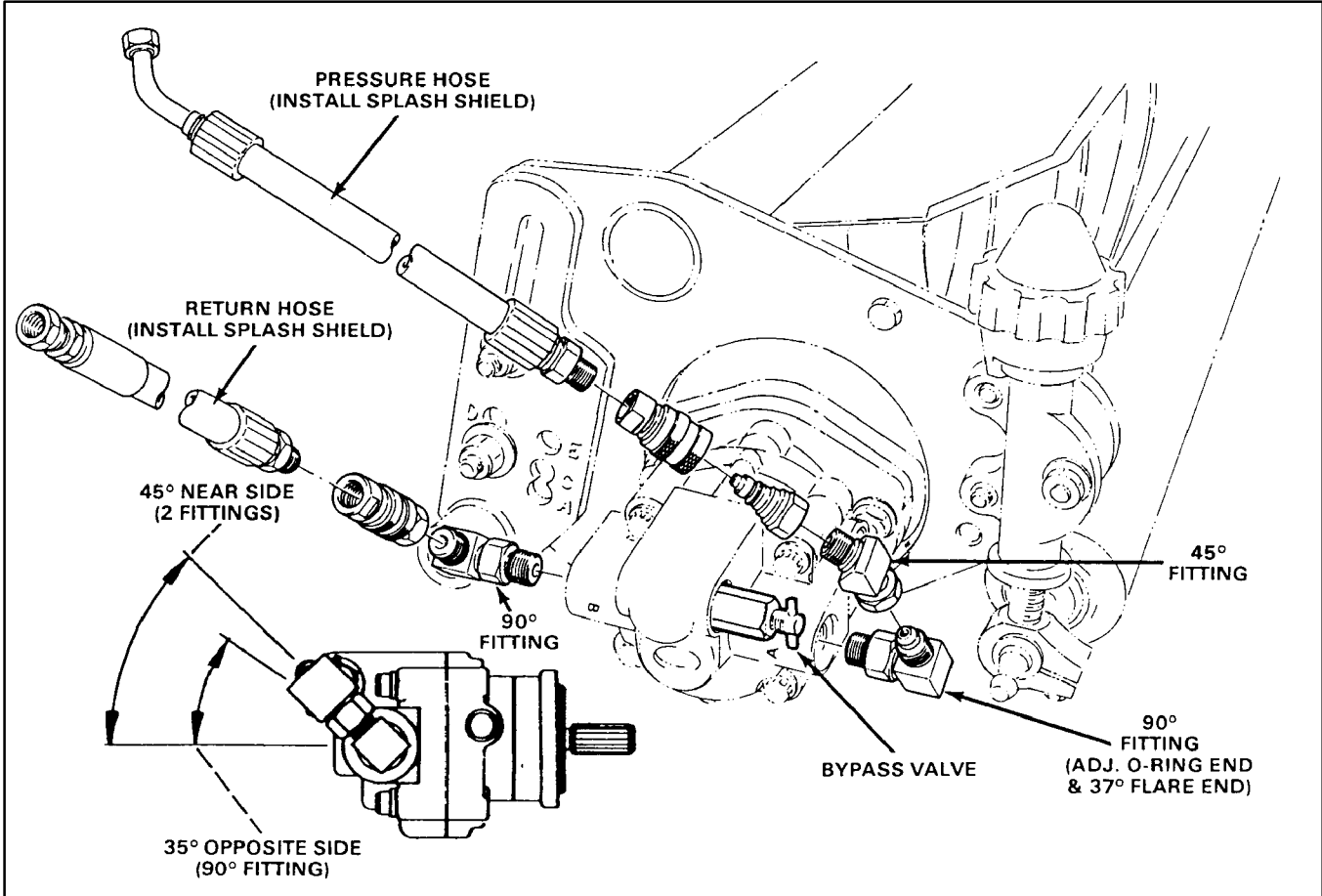


Figure 2

Center (#1) Cutting Unit

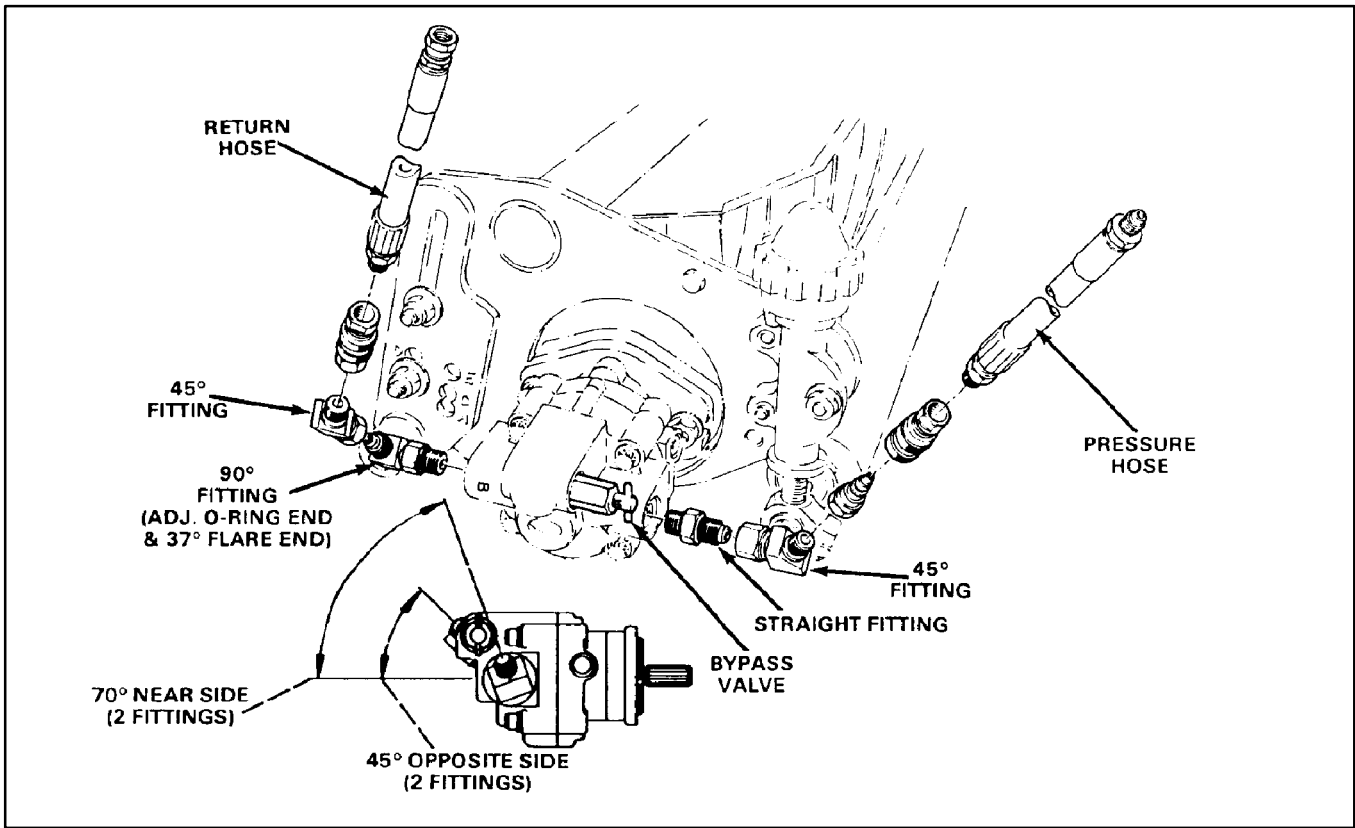


Figure 3
Left Front (#2) Cutting Unit

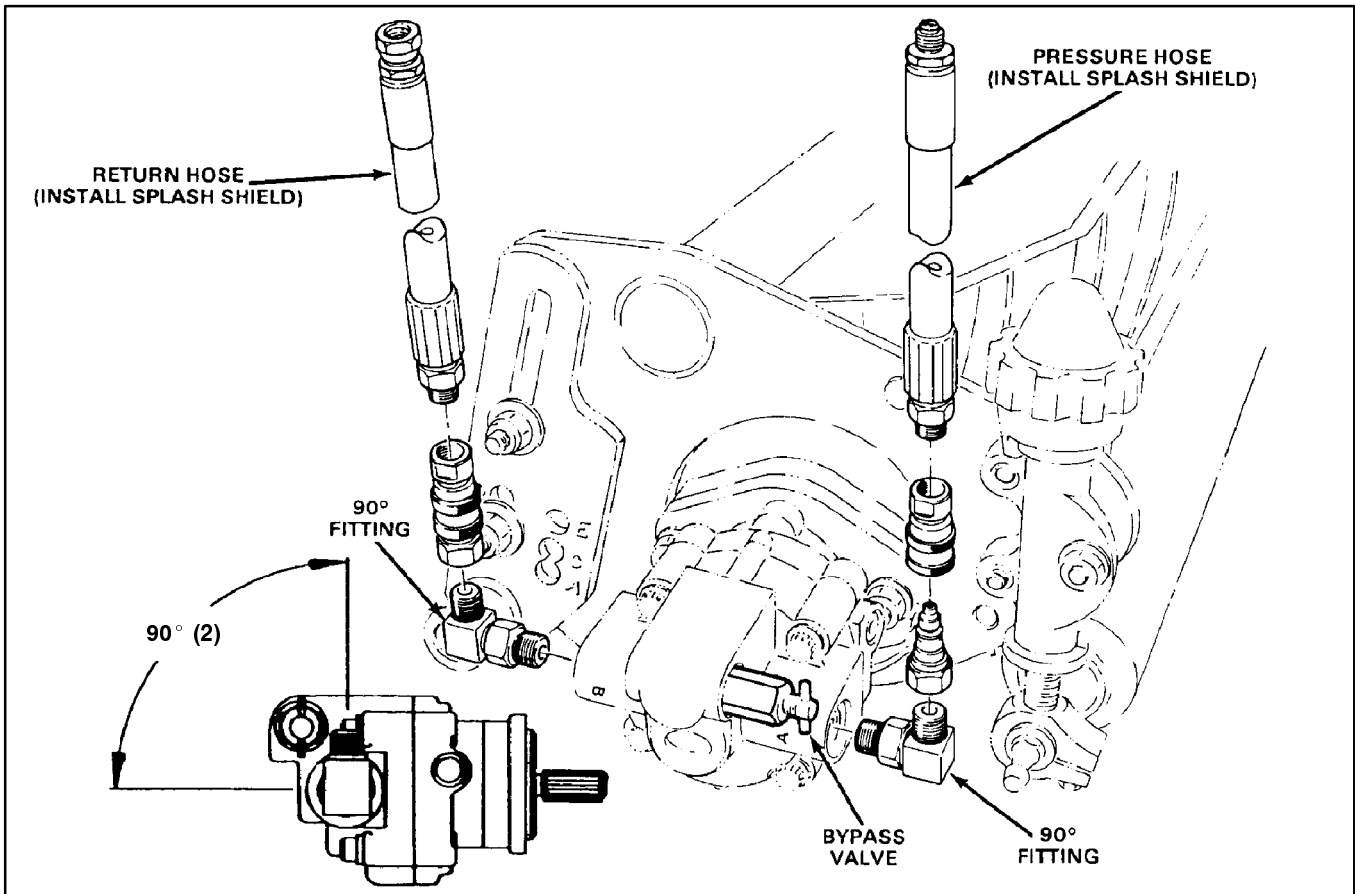


Figure 4
Right Front (#3) Cutting Unit

5. Disconnect pressure and return hoses from machines at locations shown in figure 5.
6. Remove splash shields (hose covers) from #1 & #3 cutting unit lines.
7. Reinstall splash shields to new hoses for #1 & #3

cutting unit lines. Return hoses are the same for all (3) cutting units. Pressure hoses for #2 & #3 cutting units are the same.

IMPORTANT: If quick disconnect couplings are disconnected during the assembly of hoses, make sure no dirt or contaminants enter fitting.

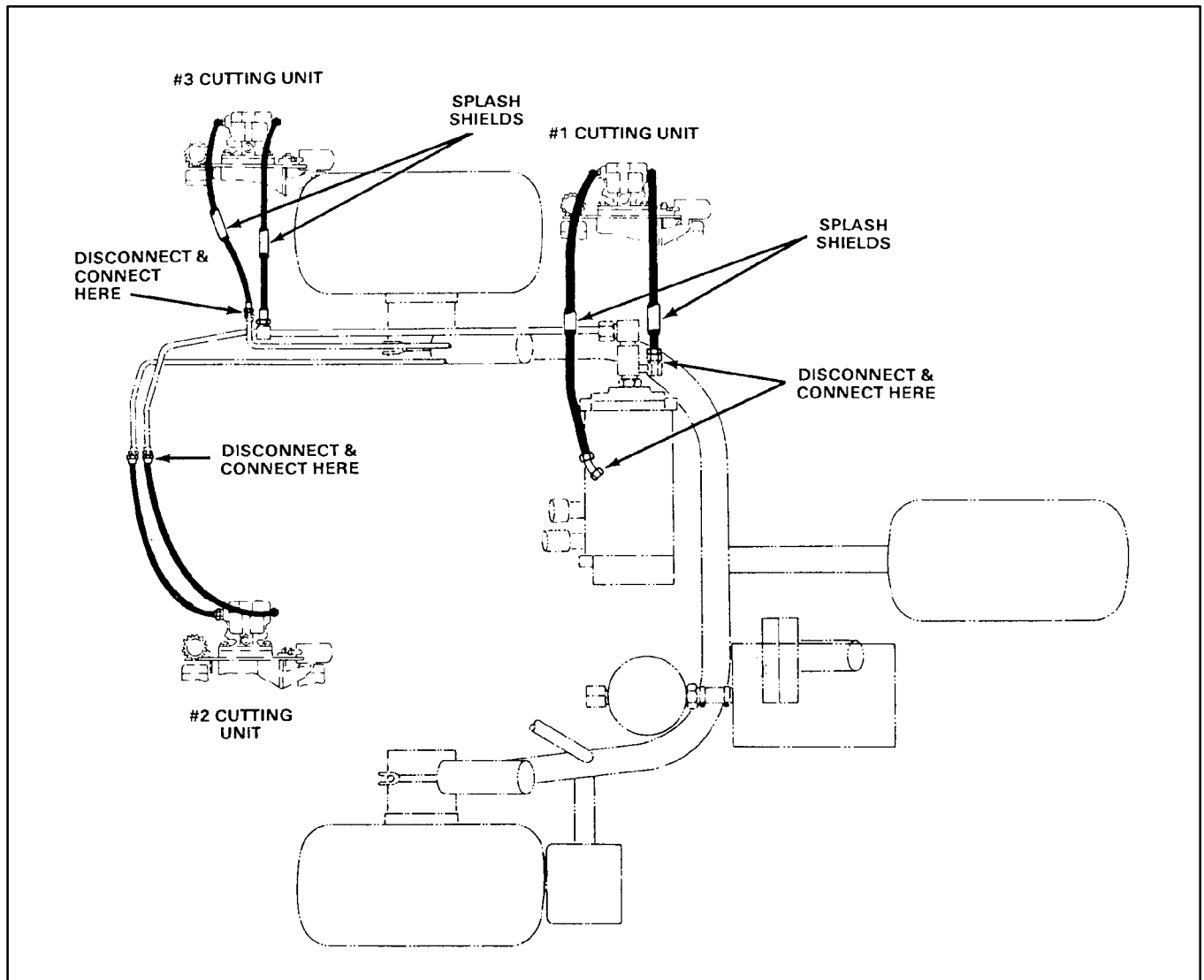


Figure 5

BACKLAP OPERATION

1. Two persons are necessary to perform the backlapping operation, one to work the controls and one to apply lapping compound and perform necessary adjustment.
2. Engage parking brake, block the front wheels, start the engine and lower the cutting units. **Turn the engine off.**
3. Open all cutting unit motor bypass valves completely, by rotating bypass valve handles counterclockwise.
4. Make sure quick disconnect couplings are free of dirt or contaminants and disconnect them. Reverse quick disconnects to opposite motor sides.



CAUTION

All persons working on the machine during backlapping operation must stay alert. All unnecessary personnel must be kept away to prevent distraction. Since each reel is under power during backlap operation and contact with reels can cause personal injury, the operator of the controls must be fully instructed on proper operating procedures and start reel operation only on direct instructions from the mechanic and only when he is fully in view.

5. Backlap one reel at a time. To prevent reels not being backlapped from rotating, insert a 1" x 2" piece of wood into reel.

6. With operator on seat and shift selector in neutral, start engine and depress mow pedal.

7. On reel to be backlapped, have assistant adjust mower reel speed to 200–300 rpm by slowly rotating bypass valve handle clockwise.

Note; For complete backlapping procedure, refer to the TORO Sharpening Reel and Rotary Mower manual, Form No. 80–300PT.

8. Using a brush with a long handle, apply lapping solution evenly over full length of reel assuring all reel blades are covered. Re-apply lapping solution whenever noise of reel operating against bedknife begins to disappear or when reel appears to have even concentrations of material.



DANGER

Under no circumstances use a short handled paint brush. 29–9100 Handle Assembly complete or individual parts are available from your local Authorized TORO Distributor.

9. Adjust bedknife adjusting knob clockwise, one click at a time, when necessary to maintain light contact between the reel and bedknife.



DANGER

DO NOT ADJUST CUTTING UNITS WHILE REELS AND ENGINE ARE OPERATING. Instruct assistant to stop reels and shut engine off when adjustment is necessary.

10. Backlap until the cutting edges are sharp, even and consistent on all reel blades.

11. Stop the reel and **shut the engine off** upon completion. Lightly pass a fine file across the front face of bedknife to remove any burrs and wash cutting unit thoroughly, with a low pressure stream of water, to remove all lapping material.

12. Repeat steps 5 thru 11 on remaining cutting units.

MOWER OPERATION

1. Disconnect quick couplers and return to original position on motors. Return hose to "B" port of motor and pressure hose to "A" port of motor.

2. Close motor bypass valve by rotating bypass valve handle clockwise.