



**Count on it.**

**Operator's Manual**

**Sports Field Edger**

**Sand Pro® 3040 and 5040 Traction Unit**

Model No. 08766—Serial No. 315000001 and Up



**⚠ WARNING**

**CALIFORNIA  
Proposition 65 Warning**

**This product contains a chemical or chemicals known to the State of California to cause cancer, birth defects, or reproductive harm.**

This product complies with all relevant European directives. For details, please see the Declaration of Incorporation (DOI) at the back of this publication.

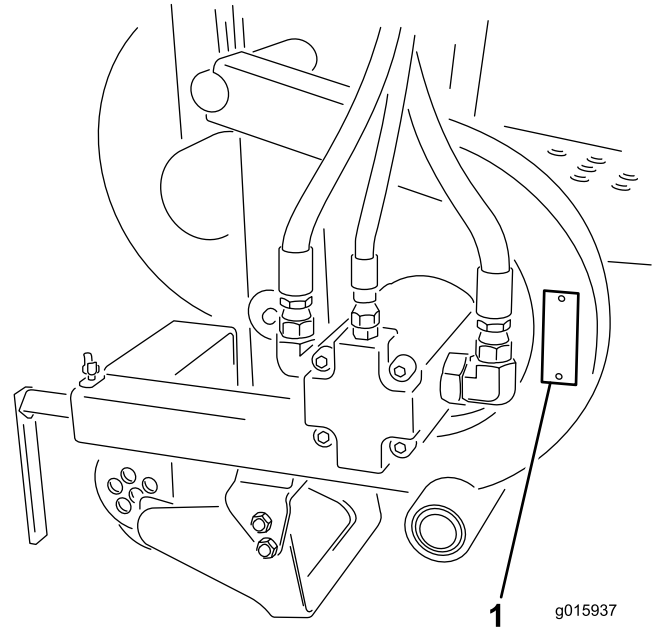
# Introduction

The Sports Field Edger kit is mounted to a Sand Pro and is intended to be used by professional, hired operators in commercial applications. It is primarily designed to create a clean-cut edge between grassy areas and unpaved barren areas.

Read this information carefully to learn how to operate and maintain your product properly and to avoid injury and product damage. You are responsible for operating the product properly and safely.

You may contact Toro directly at [www.Toro.com](http://www.Toro.com) for product and accessory information, help finding a dealer, or to register your product.

Whenever you need service, genuine Toro parts, or additional information, contact an Authorized Service Dealer or Toro Customer Service and have the model and serial numbers of your product ready. [Figure 1](#) identifies the location of the model and serial numbers on the product. Write the numbers in the space provided.



**Figure 1**

1. Model and serial number location

<b>Model No.</b> _____
<b>Serial No.</b> _____

This manual identifies potential hazards and has safety messages identified by the safety alert symbol ([Figure 2](#)), which signals a hazard that may cause serious injury or death if you do not follow the recommended precautions.



**Figure 2**

1. Safety alert symbol

This manual uses 2 words to highlight information.

**Important** calls attention to special mechanical information and **Note** emphasizes general information worthy of special attention.

# Contents

Safety .....	3
Preparation.....	3
Operation.....	3
Maintenance.....	4
Safety and Instructional Decals .....	5
Setup .....	6
1 Mounting the Cross Tube Assembly .....	7
2 Installing the Cutter Head Assembly .....	7
3 Installing the Hose Guide.....	8

4 Routing the Hydraulic Hoses .....	8
5 Checking the Hydraulic Fluid.....	8
Product Overview .....	10
Controls .....	10
Operation .....	10
Operating the Edger .....	10
Adjusting the Edger Blade Depth .....	10
Using the Alignment Guide .....	11
Maintenance .....	12
Lubricating the Edger .....	12
Changing the Edger Blade .....	12
Storage .....	13

# Safety

**Hazard control and accident prevention are dependent upon the awareness, concern, and proper training of the personnel involved in the operation, transport, maintenance, and storage of the machine. Improper use or maintenance of the machine can result in injury or death. To reduce the potential for injury or death, comply with the following safety instructions.**

## Preparation

- Read and understand the contents of this Operator’s Manual and the Sand Pro Operator’s Manual before operating the machine. Become familiar with all of the controls and know how to stop quickly. A free replacement manual is available by sending the complete Model and Serial Number to The Toro® Company, 8111 Lyndale Avenue South, Bloomington, Minnesota 55420-1196.
- Never allow children to operate the machine. Do not allow adults to operate machine without proper instruction. Only trained operators who have read this manual should operate this machine.
- Never operate the machine when under the influence of drugs or alcohol.
- Keep all bystanders away from the operating area.
- Keep all shields and safety devices in place. If a shield, safety device, or decal is illegible or damaged, repair or replace it before operation is commenced. Also tighten any loose nuts, bolts, and screws to ensure that the machine is in safe operating condition.
- Do not operate the machine while wearing sandals, tennis shoes, sneakers, or shorts. Also, do not wear loose fitting clothing which could get caught in moving parts. Always wear long pants and substantial shoes. Wearing safety glasses, safety shoes, and a helmet is advisable and required by some local ordinances and insurance regulations.

## Operation

- Do not run the engine in a confined area without adequate ventilation. Exhaust fumes are hazardous and could possibly be deadly.
- The maximum seating capacity is one person. Never carry passengers.
- Sit on the seat when starting the engine and operating the machine.
- Using the machine demands attention. To prevent loss of control:
  - Operate only in daylight or when there is good artificial light.
  - Drive slowly and watch for holes or other hidden hazards.

- Reduce your speed when making sharp turns and when turning on hillsides.
- Avoid sudden starts and stops.
- Before backing up, look to the rear and ensure that no one is behind the machine.
- Watch out for traffic when near or crossing roads. Always yield the right-of-way.
- If the engine stalls or the machine loses headway and cannot make it to the top of a slope, do not turn the machine around. Always back slowly straight down the slope.
- **Do not take an injury risk!** When a person or pet appears unexpectedly in or near the operating area, **stop operation.** Careless operation, combined with terrain angles, ricochets, or improperly positioned guards can lead to thrown object injuries. Do not resume operation until the area is cleared.
- Lightning can cause severe injury or death. If lightning is seen or thunder is heard in the area, do not operate the machine; seek shelter.
- Do not touch the engine or muffler while the engine is running or soon after it is stopped. These areas could be hot enough to cause a burn.
- Do not overspeed the engine by changing the governor settings. To be sure of safety and accuracy, have an Authorized Toro Distributor check the maximum engine speed with a tachometer.
- The engine must be shut off before checking the oil or adding oil to the crankcase.
- To best protect your investment and maintain optimal performance of your Toro equipment, count on Toro genuine parts. When it comes to reliability, Toro delivers replacement parts designed to the exact engineering specifications of our equipment. For peace of mind, insist on Toro genuine parts.

## Maintenance

- Remove the key from the ignition switch to prevent accidental starting of the engine when servicing, adjusting, or storing the machine.
- Perform only those maintenance instructions described in this manual. If major repairs are ever needed or assistance is desired, contact an Authorized Toro Distributor.
- To reduce a potential fire hazard, keep the engine free of excessive grease, grass, leaves, and accumulations of dirt. Never wash a warm engine or any electrical parts with water.
- Be sure that the machine is in safe operating condition by keeping nuts, bolts, and screws tight.
- Make sure that all hydraulic line connectors are tight and all hydraulic hoses and lines are in good condition before applying pressure to the system.
- Keep your body and hands away from pin hole leaks in hydraulic lines that eject high pressure hydraulic fluid. Use cardboard or paper to find hydraulic leaks. Hydraulic fluid escaping under pressure can penetrate skin and cause injury. Fluid accidentally injected into the skin must be surgically removed within a few hours by a doctor familiar with this form of injury or gangrene may result.
- Before disconnecting or performing any work on the hydraulic system, all pressure in the system must be relieved by stopping the engine and lowering the attachment to the ground.
- If the engine must be running to perform a maintenance adjustment, keep hands, feet, clothing, and other parts of the body away from the fan and other moving parts.

# Safety and Instructional Decals



Safety decals and instructions are easily visible to the operator and are located near any area of potential danger. Replace any decal that is damaged or lost.



120-3450

1. Warning—read the *Operator's Manual*, keep bystanders a safe distance from the machine.
2. Cutting hazard of hand and foot, edger—keep hands and feet away from moving parts, keep all guards and shields in place.

# Setup

## Loose Parts

Use the chart below to verify that all parts have been shipped.

Procedure	Description	Qty.	Use
<b>1</b>	Cross tube assembly	1	Mount the cross tube assembly.
	Screw (3/8 x 3 inch)	4	
	Flat washer	4	
	Locknut (3/8 inch)	4	
<b>2</b>	Cutter head assembly	1	Install the cutter head assembly.
	Hitch pin	1	
<b>3</b>	Hose guide	1	Install the hose guide.
	Flange nut	1	
<b>4</b>	No parts required	–	Route the hydraulic hoses.
<b>5</b>	No parts required	–	Check the hydraulic fluid.

## Media and Additional Parts

Description	Qty.	Use
Parts catalog	1	Use to reference part numbers
Operator's Manual	1	Read before operating the machine
Certificate of conformity	1	Declaration of conformity

**Note:** Determine the left and right sides of the machine from the normal operating position.

**Note:** To operate the Sports Field Edger, the traction unit must be equipped with the Rear Remote Hydraulics Kit, Model 08781. If the serial number of the Rear Remote Hydraulics Kit is prior to 310000001, you must update the Rear Remote Hydraulics. Proceed to Step 1 in Setup.

# 1

## Mounting the Cross Tube Assembly

### Parts needed for this procedure:

1	Cross tube assembly
4	Screw (3/8 x 3 inch)
4	Flat washer
4	Locknut (3/8 inch)

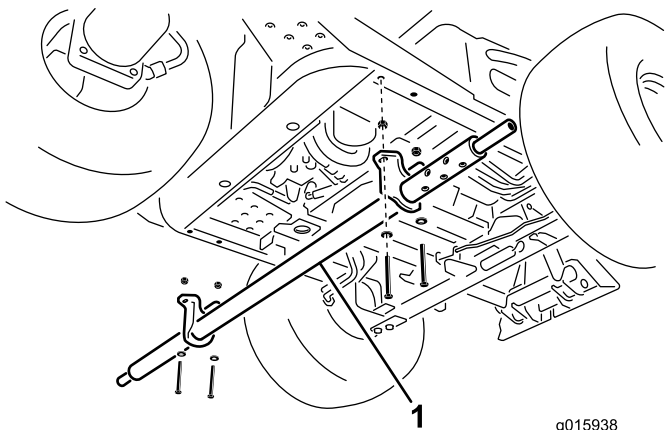


Figure 4

g015938

1. Cross tube assembly

### Procedure

**Note:** If the Sand Pro is equipped with the mid-mount tool system, remove the fasteners securing the saddle bracket and foot guards (if so equipped) to each side of the machine. Remove and discard the saddle brackets, foot guards and fasteners (Figure 3). Support the mid-mount tool system to prevent it from lowering.

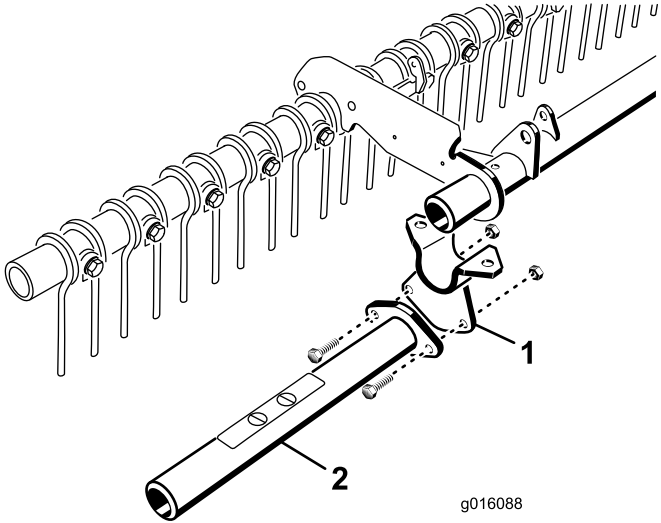


Figure 3

g016088

1. Saddle bracket
2. Foot guard

# 2

## Installing the Cutter Head Assembly

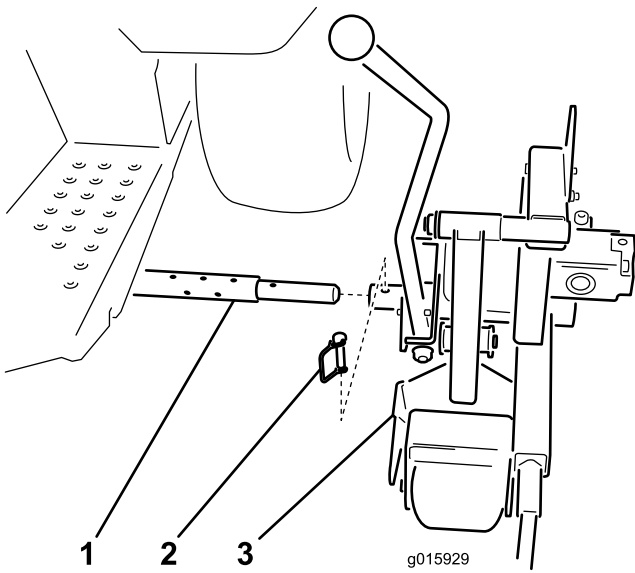
### Parts needed for this procedure:

1	Cutter head assembly
1	Hitch pin

### Procedure

1. Slide the cutter head pivot tube onto the cross tube (Figure 5).

1. From the left side of the machine, slide the cross tube assembly under the machine, aligning the mounting bracket holes with the holes in each frame tube (Figure 4).



**Figure 5**

1. Cross tube
2. Hitch pin
3. Cutter head

2. Secure the cutter head to the cross tube with the hitch pin (Figure 5).

## 3

### Installing the Hose Guide

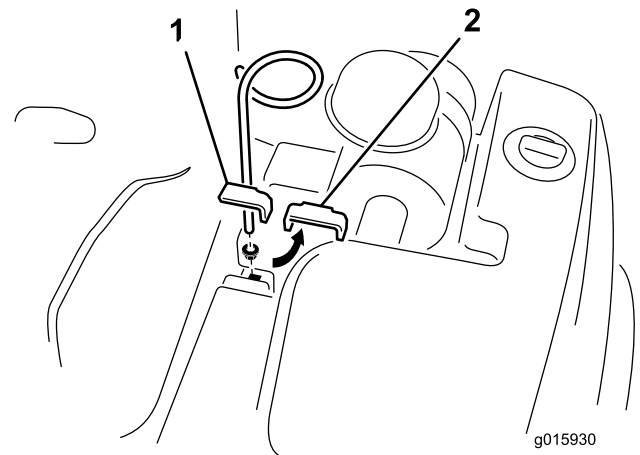
#### Parts needed for this procedure:

1	Hose guide
1	Flange nut

#### Procedure

1. Remove the bolt, washer, and nut securing the top hydraulic tank clamp to the frame (Figure 6). Remove and discard the clamp, bolt, washer, and nut.

**Note:** The hydraulic tank clamp may have been removed in a previous step.



**Figure 6**

1. Hose guide
2. Hydraulic tank clamp

2. Install the hose guide with the supplied flange nut. Position the hose guide as shown in Figure 6.

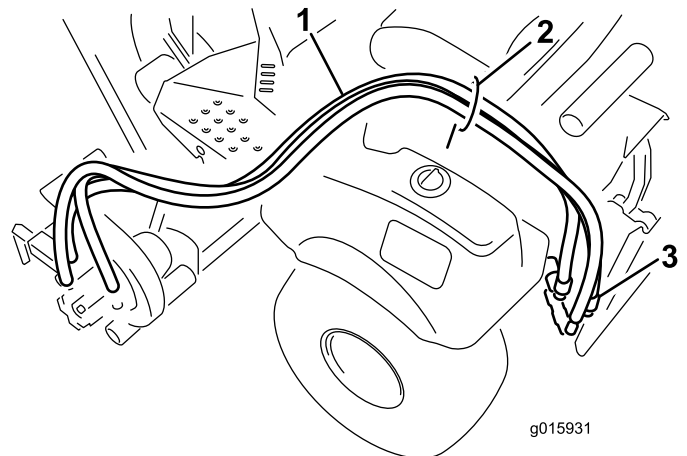
## 4

### Routing the Hydraulic Hoses

#### No Parts Required

#### Procedure

1. Route the hydraulic hoses through the hose guide and to the rear of the machine (Figure 7).



**Figure 7**

1. Hydraulic hoses
2. Hose guide
3. Rear remote connectors

2. Connect the hoses to the rear remote connectors (Figure 7).

**Note:** The hoses can be connected to either of the connectors.

# 5

## Checking the Hydraulic Fluid

### No Parts Required

### Procedure

1. Park the machine on a level surface.
2. Stop the machine, move the throttle control to the Slow position, rotate the ignition key to Off, and remove the key from the switch to prevent accidental starting.
3. Clean the area around the hydraulic oil-reservoir cap to prevent debris from entering the tank (Figure 8).

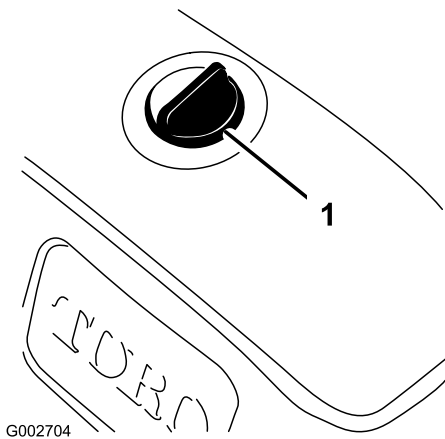


Figure 8

1. Oil-reservoir cap

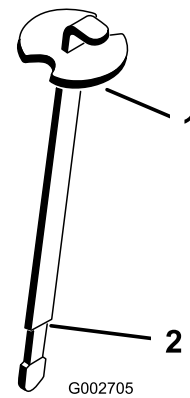


Figure 9

1. Dipstick
2. Full mark

7. If the fluid level is low, slowly fill the reservoir with the appropriate hydraulic fluid until the level reaches the necked-down area on the dipstick.

**Note:** Do not overfill.

8. Install the reservoir cap.

**Note:** To prevent system contamination, clean the top of the hydraulic oil containers before puncturing them. Ensure that the pour spout and the funnel are clean.

4. Remove the cap from the reservoir.
5. Remove the dipstick from filler neck and wipe it with a clean rag.
6. Insert the dipstick into the filler neck; then remove it and check the level of the fluid.

**Note:** The fluid level should be up to the mark (necked-down area) on the dipstick (Figure 9).

# Product Overview

## Controls

### Handle

Use the handle to raise and lower the edger (Figure 10).

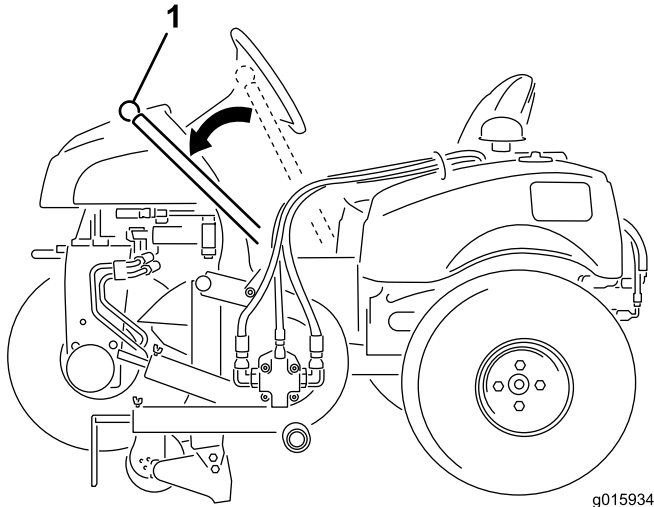


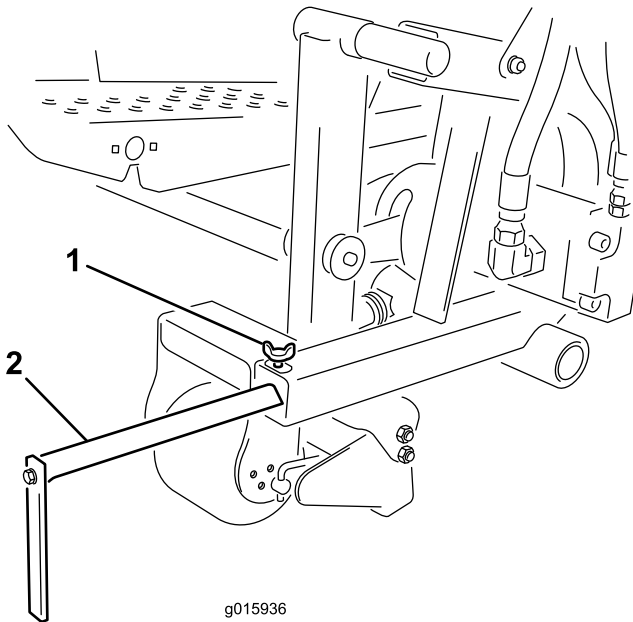
Figure 10

g015934

1. Handle

### Alignment Guide

Loosen the adjustment screw and move the alignment guide to the desired position (Figure 11).



g015936

Figure 11

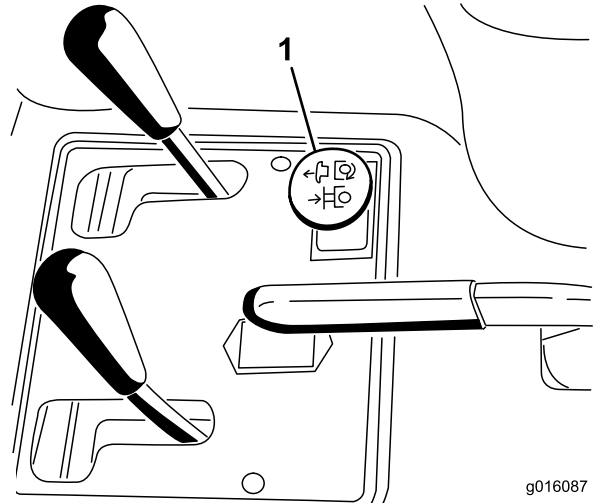
1. Adjustment screw
2. Alignment guide

# Operation

**Note:** Determine the left and right sides of the machine from the normal operating position.

## Operating the Edger

1. Start the engine.
2. Press outward on the handle and lower the edger blade to the ground (Figure 10).
3. Engage the blade by pulling up on the Remote Hydraulics control knob (Figure 12).



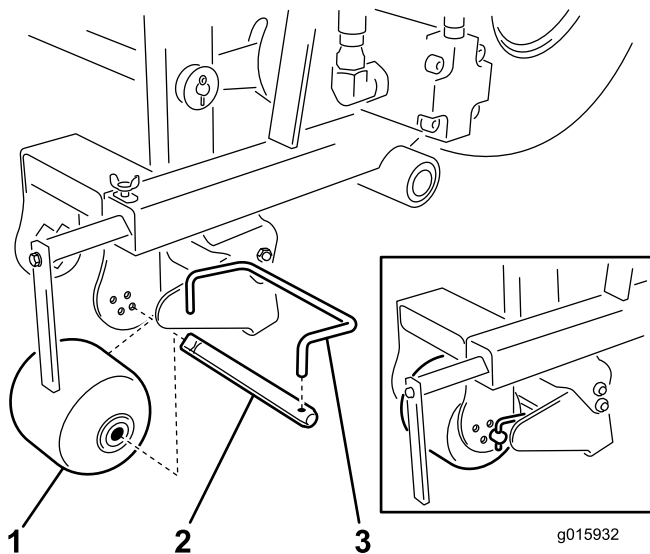
g016087

Figure 12

1. Remote hydraulics control knob
4. Slowly move forward, not traveling faster than 1 to 2 mph.
5. To stop the edging operation:
  - Press outward on the handle and raise the edger blade to the transport position (Figure 10).
  - Disengage the blade by pushing down on the Remote Hydraulics control knob (Figure 12).

## Adjusting the Edger Blade Depth

1. Move the throttle control to the Slow position and rotate the ignition key to Off and remove the key from the switch to prevent accidental starting.
2. Raise the edger to the transport position.
3. Remove the scraper rod from the roller shaft (Figure 13).



**Figure 13**

- |                 |                |
|-----------------|----------------|
| 1. Roller       | 3. Scraper rod |
| 2. Roller shaft |                |

4. Remove the roller shaft from the roller (Figure 13).
5. Move the roller to the desired depth and install the shaft. Start at the low setting 1/2 to 1-1/2 inches.

**Note:** Moving the roller down will raise the cutting depth.

6. Lock the roller in position with the scraper rod.

## Using the Alignment Guide

The alignment guide is used to keep the edger in a straight line by sight or when following a string line.

1. Loosen the screw and adjust the alignment guide for or aft to the desired position (Figure 11).
2. Align the guide with the string or line desired to be edged.
3. Tighten the screw.

# Maintenance

**Note:** Determine the left and right sides of the machine from the normal operating position.

## Lubricating the Edger

The edger cutter head has a grease fitting that must be lubricated with #2 general-purpose, lithium-based grease after every 100 hours of operation (Figure 14).

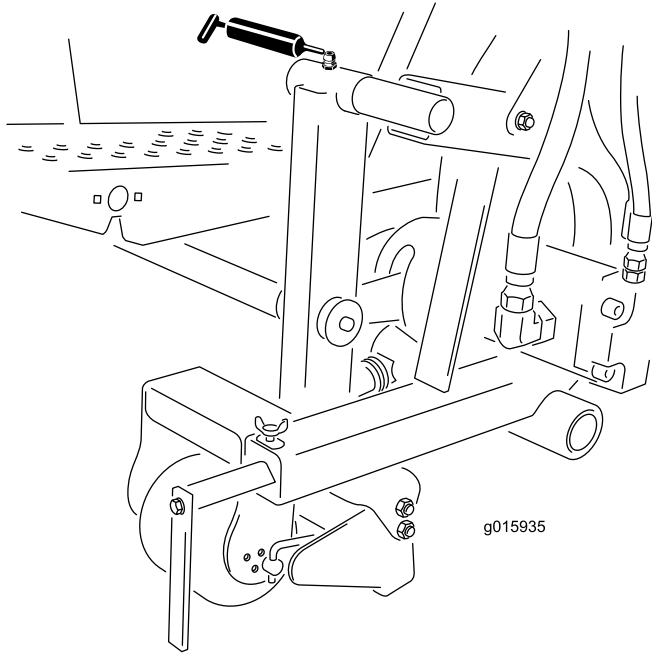


Figure 14

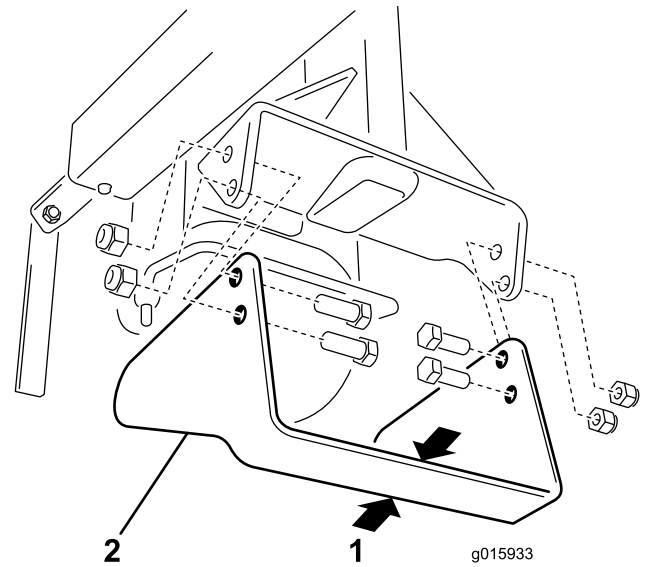


Figure 15

1. Blade width
2. Edger blade

4. Install the new blade with the screws and nuts previously removed.

## Changing the Edger Blade

Check the edger blade frequently and replace the blade when the blade width is reduced to 1-1/4 inches (Figure 15).

1. Stop the machine, move the throttle control to the Slow position and rotate the ignition key to Off, and remove the key from the switch to prevent accidental starting.
2. Raise the edger to the transport position.
3. Remove the 4 screws and nuts that secure the blade to the cutter arm (Figure 15).

# Storage

- Thoroughly wash the machine with a garden hose-without a nozzle-so that excessive water pressure will not cause contamination and damage to the seals and bearing
- Check all fasteners for looseness; tighten as necessary.
- Grease the fitting. Wipe off any excess lubricant
- Check the edger blade and replace as required.

# Declaration of Incorporation

Model No.	Serial No.	Product Description	Invoice Description	General Description	Directive
08766	315000001 and Up	Sports Field Edger	VIBRATORY EDGER, QAS	Vibratory Edger	2006/42/EC

Relevant technical documentation has been compiled as required per Part B of Annex VII of 2006/42/EC.

We will undertake to transmit, in response to requests by national authorities, relevant information on this partly completed machinery. The method of transmission shall be electronic transmittal.

This machinery shall not be put into service until incorporated into approved Toro models as indicated on the associated Declaration of Conformity and in accordance with all instructions, whereby it can be declared in conformity with all relevant Directives.

Certified:



David Klis  
Sr. Engineering Manager  
8111 Lyndale Ave. South  
Bloomington, MN 55420, USA  
December 11, 2014

EU Technical Contact:

Peter Tetteroo  
Toro Europe NV  
B-2260 Oevel-Westerloo  
Belgium

Tel. 0032 14 562960  
Fax 0032 14 581911

## International Distributor List

Distributor:	Country:	Phone Number:	Distributor:	Country:	Phone Number:
Agrolanc Kft	Hungary	36 27 539 640	Maquiver S.A.	Colombia	57 1 236 4079
Balama Prima Engineering Equip.	Hong Kong	852 2155 2163	Maruyama Mfg. Co. Inc.	Japan	81 3 3252 2285
B-Ray Corporation	Korea	82 32 551 2076	Mountfield a.s.	Czech Republic	420 255 704 220
Casco Sales Company	Puerto Rico	787 788 8383	Mountfield a.s.	Slovakia	420 255 704 220
Ceres S.A.	Costa Rica	506 239 1138	Munditol S.A.	Argentina	54 11 4 821 9999
CSSC Turf Equipment (pvt) Ltd.	Sri Lanka	94 11 2746100	Norma Garden	Russia	7 495 411 61 20
Cyril Johnston & Co.	Northern Ireland	44 2890 813 121	Oslinger Turf Equipment SA	Ecuador	593 4 239 6970
Cyril Johnston & Co.	Republic of Ireland	44 2890 813 121	Oy Hako Ground and Garden Ab	Finland	358 987 00733
Equivar	Mexico	52 55 539 95444	Parkland Products Ltd.	New Zealand	64 3 34 93760
Femco S.A.	Guatemala	502 442 3277	Perfetto	Poland	48 61 8 208 416
ForGarder OU	Estonia	372 384 6060	Pratoverde SRL.	Italy	39 049 9128 128
G.Y.K. Company Ltd.	Japan	81 726 325 861	Prochaska & Cie	Austria	43 1 278 5100
Geomechaniki of Athens	Greece	30 10 935 0054	RT Cohen 2004 Ltd.	Israel	972 986 17979
Golf international Turizm	Turkey	90 216 336 5993	Riversa	Spain	34 9 52 83 7500
Guandong Golden Star	China	86 20 876 51338	Lely Turfcare	Denmark	45 66 109 200
Hako Ground and Garden	Sweden	46 35 10 0000	Solvret S.A.S.	France	33 1 30 81 77 00
Hako Ground and Garden	Norway	47 22 90 7760	Spypros Stavrinides Limited	Cyprus	357 22 434131
Hayter Limited (U.K.)	United Kingdom	44 1279 723 444	Surge Systems India Limited	India	91 1 292299901
Hydroturf Int. Co Dubai	United Arab Emirates	97 14 347 9479	T-Markt Logistics Ltd.	Hungary	36 26 525 500
Hydroturf Egypt LLC	Egypt	202 519 4308	Toro Australia	Australia	61 3 9580 7355
Irrimac	Portugal	351 21 238 8260	Toro Europe NV	Belgium	32 14 562 960
Irrigation Products Int'l Pvt Ltd.	India	0091 44 2449 4387	Valtech	Morocco	212 5 3766 3636
Jean Heybroek b.v.	Netherlands	31 30 639 4611	Victus Emak	Poland	48 61 823 8369

### European Privacy Notice

#### The Information Toro Collects

Toro Warranty Company (Toro) respects your privacy. In order to process your warranty claim and contact you in the event of a product recall, we ask you to share certain personal information with us, either directly or through your local Toro company or dealer.

The Toro warranty system is hosted on servers located within the United States where privacy law may not provide the same protection as applies in your country.

BY SHARING YOUR PERSONAL INFORMATION WITH US, YOU ARE CONSENTING TO THE PROCESSING OF YOUR PERSONAL INFORMATION AS DESCRIBED IN THIS PRIVACY NOTICE.

#### The Way Toro Uses Information

Toro may use your personal information to process warranty claims, to contact you in the event of a product recall and for any other purpose which we tell you about. Toro may share your information with Toro's affiliates, dealers or other business partners in connection with any of these activities. We will not sell your personal information to any other company. We reserve the right to disclose personal information in order to comply with applicable laws and with requests by the appropriate authorities, to operate our systems properly or for our own protection or that of other users.

#### Retention of your Personal Information

We will keep your personal information as long as we need it for the purposes for which it was originally collected or for other legitimate purposes (such as regulatory compliance), or as required by applicable law.

#### Toro's Commitment to Security of Your Personal Information

We take reasonable precautions in order to protect the security of your personal information. We also take steps to maintain the accuracy and current status of personal information.

#### Access and Correction of your Personal Information

If you would like to review or correct your personal information, please contact us by email at [legal@toro.com](mailto:legal@toro.com).

### Australian Consumer Law

Australian customers will find details relating to the Australian Consumer Law either inside the box or at your local Toro Dealer.



# Toro General Commercial Product Warranty

## A Two-Year Limited Warranty

### Conditions and Products Covered

The Toro Company and its affiliate, Toro Warranty Company, pursuant to an agreement between them, jointly warrant your Toro Commercial product ("Product") to be free from defects in materials or workmanship for two years or 1500 operational hours\*, whichever occurs first. This warranty is applicable to all products with the exception of Aerators (refer to separate warranty statements for these products). Where a warrantable condition exists, we will repair the Product at no cost to you including diagnostics, labor, parts, and transportation. This warranty begins on the date the Product is delivered to the original retail purchaser.

\* Product equipped with an hour meter.

### Instructions for Obtaining Warranty Service

You are responsible for notifying the Commercial Products Distributor or Authorized Commercial Products Dealer from whom you purchased the Product as soon as you believe a warrantable condition exists. If you need help locating a Commercial Products Distributor or Authorized Dealer, or if you have questions regarding your warranty rights or responsibilities, you may contact us at:

Toro Commercial Products Service Department  
Toro Warranty Company  
8111 Lyndale Avenue South  
Bloomington, MN 55420-1196  
952-888-8801 or 800-952-2740  
E-mail: commercial.warranty@toro.com

### Owner Responsibilities

As the Product owner, you are responsible for required maintenance and adjustments stated in your *Operator's Manual*. Failure to perform required maintenance and adjustments can be grounds for disallowing a warranty claim.

### Items and Conditions Not Covered

Not all product failures or malfunctions that occur during the warranty period are defects in materials or workmanship. This warranty does not cover the following:

- Product failures which result from the use of non-Toro replacement parts, or from installation and use of add-on, or modified non-Toro branded accessories and products. A separate warranty may be provided by the manufacturer of these items.
- Product failures which result from failure to perform recommended maintenance and/or adjustments. Failure to properly maintain your Toro product per the Recommended Maintenance listed in the *Operator's Manual* can result in claims for warranty being denied.
- Product failures which result from operating the Product in an abusive, negligent, or reckless manner.
- Parts subject to consumption through use unless found to be defective. Examples of parts which are consumed, or used up, during normal Product operation include, but are not limited to, brake pads and linings, clutch linings, blades, reels, rollers and bearings (sealed or greasable), bed knives, spark plugs, castor wheels and bearings, tires, filters, belts, and certain sprayer components such as diaphragms, nozzles, and check valves, etc.
- Failures caused by outside influence. Conditions considered to be outside influence include, but are not limited to, weather, storage practices, contamination, use of unapproved fuels, coolants, lubricants, additives, fertilizers, water, or chemicals, etc.
- Failure or performance issues due to the use of fuels (e.g. gasoline, diesel, or biodiesel) that do not conform to their respective industry standards.

### Countries Other than the United States or Canada

Customers who have purchased Toro products exported from the United States or Canada should contact their Toro Distributor (Dealer) to obtain guarantee policies for your country, province, or state. If for any reason you are dissatisfied with your Distributor's service or have difficulty obtaining guarantee information, contact the Toro importer.

- Normal noise, vibration, wear and tear, and deterioration.
- Normal "wear and tear" includes, but is not limited to, damage to seats due to wear or abrasion, worn painted surfaces, scratched decals or windows, etc.

### Parts

Parts scheduled for replacement as required maintenance are warranted for the period of time up to the scheduled replacement time for that part. Parts replaced under this warranty are covered for the duration of the original product warranty and become the property of Toro. Toro will make the final decision whether to repair any existing part or assembly or replace it. Toro may use remanufactured parts for warranty repairs.

### Deep Cycle and Lithium-Ion Battery Warranty:

Deep cycle and Lithium-Ion batteries have a specified total number of kilowatt-hours they can deliver during their lifetime. Operating, recharging, and maintenance techniques can extend or reduce total battery life. As the batteries in this product are consumed, the amount of useful work between charging intervals will slowly decrease until the battery is completely worn out. Replacement of worn out batteries, due to normal consumption, is the responsibility of the product owner. Battery replacement may be required during the normal product warranty period at owner's expense. Note: (Lithium-Ion battery only): A Lithium-Ion battery has a part only prorated warranty beginning year 3 through year 5 based on the time in service and kilowatt hours used. Refer to the *Operator's Manual* for additional information.

### Maintenance is at Owner's Expense

Engine tune-up, lubrication, cleaning and polishing, replacement of filters, coolant, and completing recommended maintenance are some of the normal services Toro products require that are at the owner's expense.

### General Conditions

Repair by an Authorized Toro Distributor or Dealer is your sole remedy under this warranty.

**Neither The Toro Company nor Toro Warranty Company is liable for indirect, incidental or consequential damages in connection with the use of the Toro Products covered by this warranty, including any cost or expense of providing substitute equipment or service during reasonable periods of malfunction or non-use pending completion of repairs under this warranty. Except for the Emissions warranty referenced below, if applicable, there is no other express warranty. All implied warranties of merchantability and fitness for use are limited to the duration of this express warranty.**

Some states do not allow exclusions of incidental or consequential damages, or limitations on how long an implied warranty lasts, so the above exclusions and limitations may not apply to you. This warranty gives you specific legal rights, and you may also have other rights which vary from state to state.

### Note regarding engine warranty:

The Emissions Control System on your Product may be covered by a separate warranty meeting requirements established by the U.S. Environmental Protection Agency (EPA) and/or the California Air Resources Board (CARB). The hour limitations set forth above do not apply to the Emissions Control System Warranty. Refer to the Engine Emission Control Warranty Statement supplied with your product or contained in the engine manufacturer's documentation for details