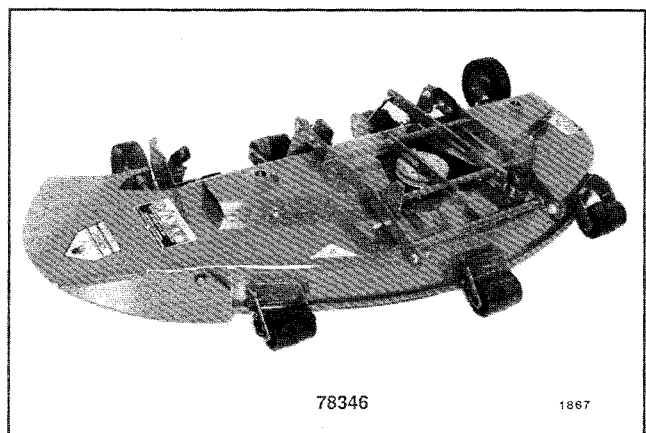
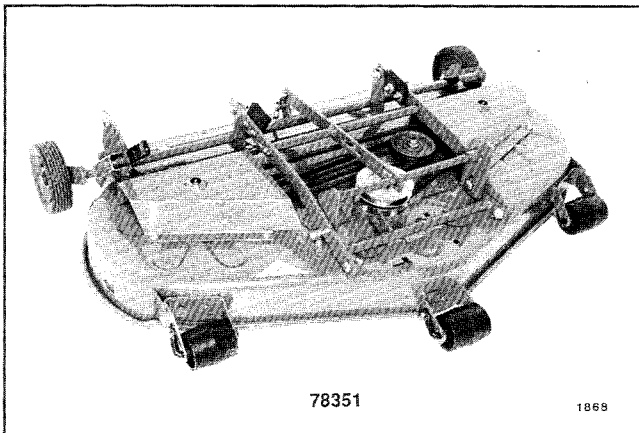
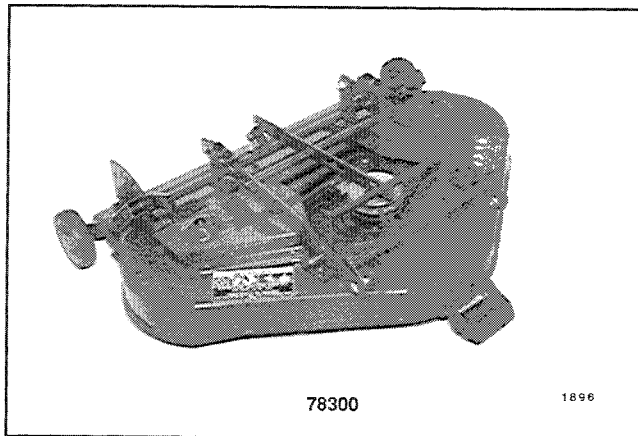




MODEL NO. 78300 - 5900001 & UP  
78346 - 5900001 & UP  
78351 - 5900001 & UP

**INSTALLATION  
INSTRUCTIONS**

**WHEEL HORSE®**  
36 in.(92 cm) & 42 in.(107 cm) Low Cut Mowers - GT

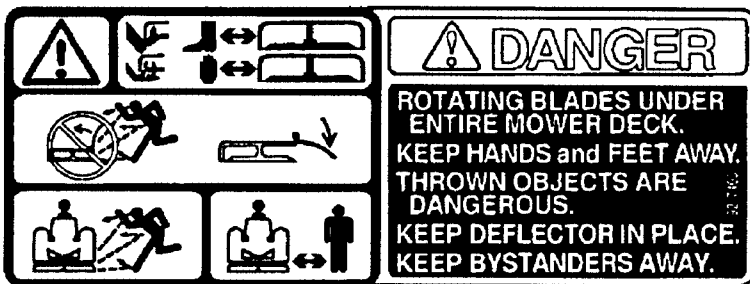


# CONTENTS

<u>Page</u>	<u>Page</u>		
MODEL AND SERIAL NUMBER .....	1	TRANSPORT LEVEL STOP ADJUSTMENT ..	3
INSTALLATION .....	1-2	REMOVAL .....	4
ATTACH HEIGHT CONTROL LEVER .....	1	OPERATION .....	4
POSITION MOWER UNDER TRACTOR ..	1	MAINTENANCE AND STORAGE .....	4-5
ATTACH MOWER TO TRACTOR .....	1	LUBRICATION .....	4
INSTALL FRONT PULLEY SUPPORT .....	2	BLADE MAINTENANCE .....	5
INSTALL DRIVE BELT AND COVER .....	2	UNDERSIDE CLEANING .....	5
CHECKING MOWER LEVEL .....	2	REPLACEMENT BELTS .....	5
MOWER LEVEL .....	4	MOWER DRIVE BELT REPLACEMENT .....	5
TRACTOR LIFT BAR-TRUNNION AND		SPINDLE BELT REPLACEMENT .....	5
LIFT ROD ADJUSTMENT .....	4	GENERAL CARE AND STORAGE .....	5

## SAFETY DECALS AND INSTRUCTIONS

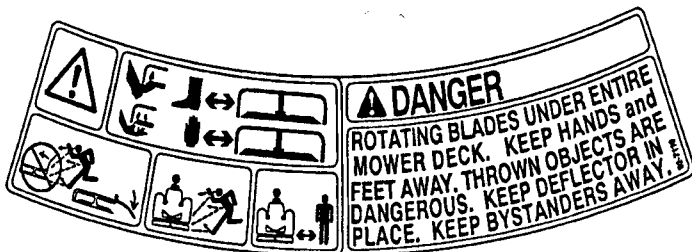
Safety decals and instructions are easily visible to the operator and are located near any area of potential danger. Replace any decal that is damaged or lost.



Each Side of Deck (78346 & 78300)  
Part Number 92-7108



Discharge Chute (78346)  
Part Number 93-1122



Each Side of Deck (78351)  
Part Number 92-7110



Rear of Deck (78300 & 78351 )  
Part Number 43-8480

## MODEL AND SERIAL NUMBER

A Model and Serial Number identifies your Toro Wheel Horse attachment. These numbers should always be referred to when consulting with your dealer or factory concerning service, replacement parts, or questions you may have. For your reference, record numbers from Model and Serial Number plate on your attachment.

MODEL _____
SERIAL NO. _____

## INSTALLATION

### ATTACH HEIGHT CONTROL LEVER

Height control lever must be attached to Rear Discharge 42 in. (107 cm) Mower, as described below. All other Mowers are shipped completely assembled.

Raise rear of mower and support deck on both sides, using a double thickness of 2 x 4 wood blocks. Remove two bolts and nuts securing lift quadrant to right rear corner of mower deck (Fig. 1). Remove clamp holding gage wheel support rod. Install height control lever and spring as shown in Figure 1. Slip welded pin, on height control lever, into guide hole in gage wheel support. Position quadrant to hold height control lever in place and replace clamp, bolts and nuts. Tighten nuts securely and remove 2 x 4 blocks.

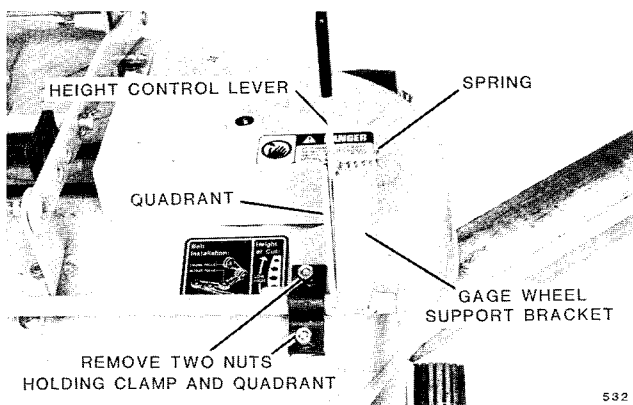


FIG. 1. Install Height Control Lever

### POSITION MOWER UNDER TRACTOR

Place mower along right side of tractor. Position height control lever in lowest position (Fig. 2).

Turn front wheels of tractor fully left. Raise tractor attachment lift.

### IMPORTANT

Before installation, check that all mower blade nuts are tight:

Blade Nut Torque 80-100 ft. lbs. (12-140 Nm)

Check that mower spindles have been lubricated. Use a pressure grease gun and #2 multi-purpose lithium grease. Grease fittings are on top of spindles on three-blade mowers and on base of spindle housings on two-blade mower.

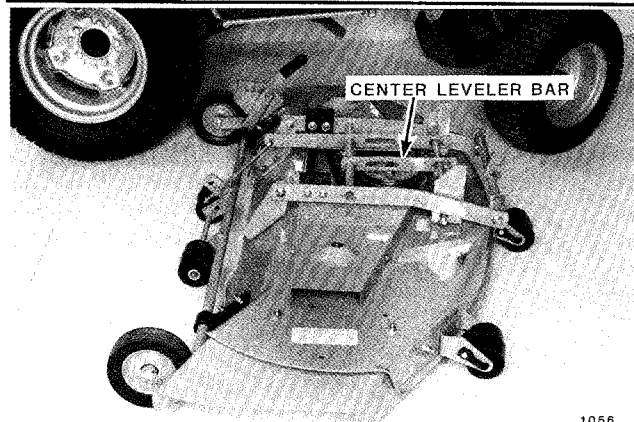


FIG. 2. Position Mower to Right of Tractor

Slide mower under tractor until mower center leveler bar is directly under right side of tractor frame.

### ATTACH MOWER TO TRACTOR

Lower tractor attachment lift. Align lift bar and pin (attached to tractor) with slot in mower leveler bar (Figs. 2 & 3).

Push mower in until it is centered under tractor.

Open mid Attach-A-Matic hitch by pushing release button and pulling latch forward. (Fig. 4).

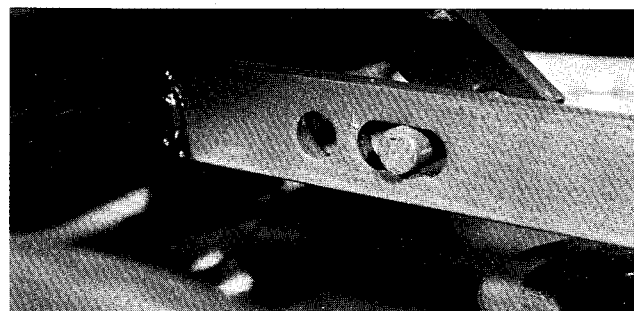
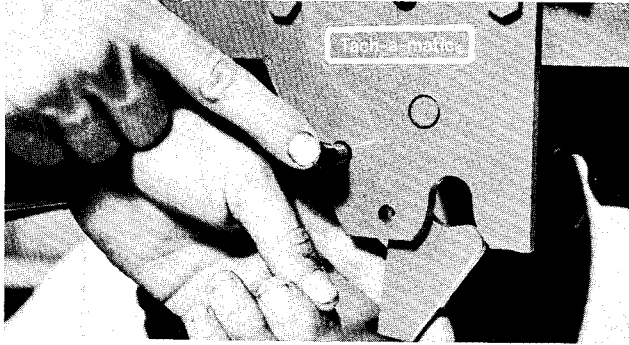
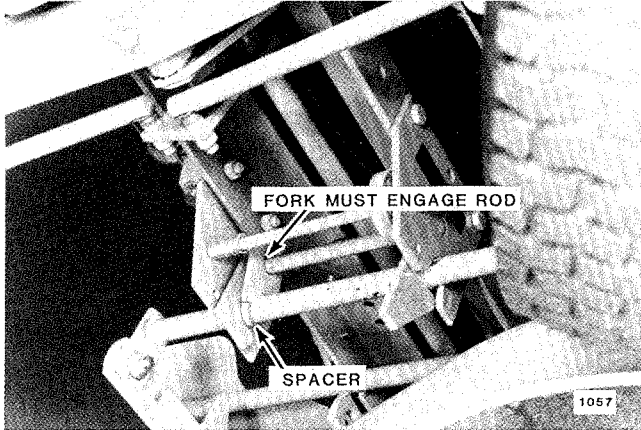


FIG. 3. Align the Pin with the Slot

Adjust mower hitch shaft so fork faces upward. Adjust mower so welded spacers are positioned between tractor hitch plates (Fig. 5).



**FIG. 4. Open the Mid-Attach-A-Matic Hitch**



**FIG. 5. Align Fork with Shaft**

Lift mower with tractor attachment lift. NOTE: When using a manual attachment lift, be sure lift handle "locks" in raised position.

Close Attach-A-Matic hitch by moving latch rearward.

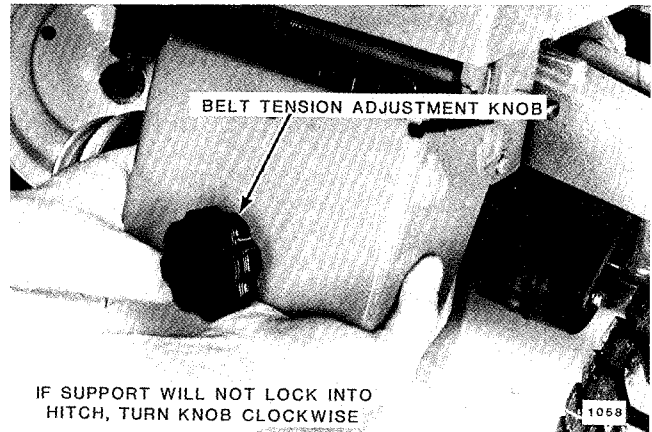
#### INSTALL FRONT PULLEY SUPPORT



**FIG. 6. Open Front Attach-A-Matic Hitch**

Open front Attach-A-Matic hitch by pushing release button and pulling forward on latch handle (Fig. 6).

Insert shaft of pulley support assembly into hitch slots and push latch handle rearward to lock latch (Fig. 7).

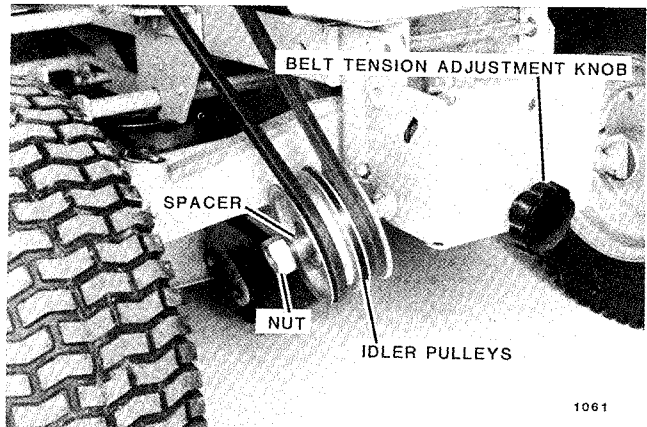


**FIG. 7. Install Pulley Support**

#### INSTALL DRIVE BELT AND COVER

Turn belt tension adjustment knob all the way clockwise (Fig. 7).

Install drive belt in groove of mower pulley and position belt strands around idler pulleys, with inside strand in "V" pulley and outside strand making a back bend around flat idler (Fig. 8). Place drive belt on inside groove of PTO pulley (Fig. 9).



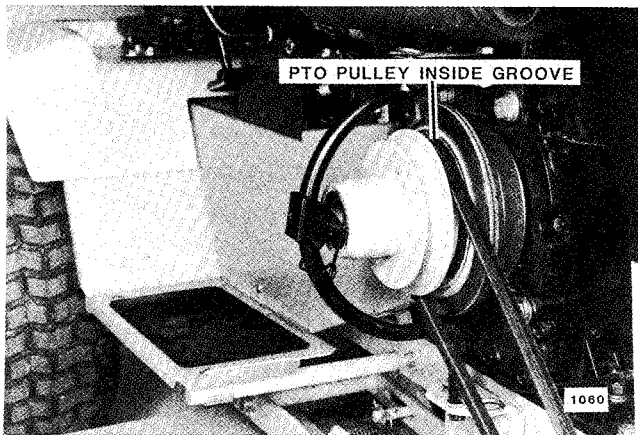
**FIG. 8. Mower Front Idler Pulleys**

Hold pulleys in against thrust collar and adjust drive belt tension by turning adjusting knob counterclockwise until top strand of drive belt can be depressed approximately 1 inch (2.5 cm) under moderate finger pressure at a mid-point between pulleys (Figs. 8 & 9).

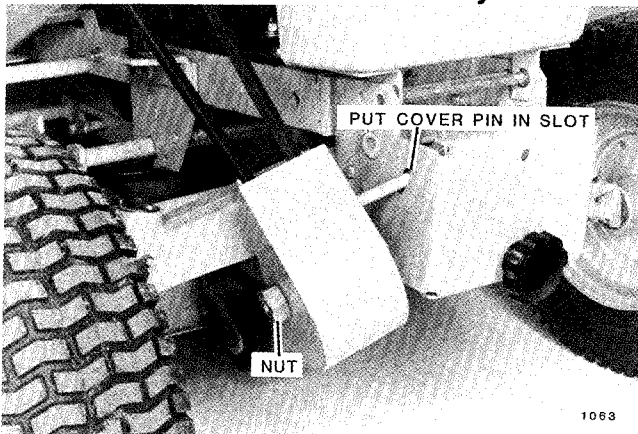
Remove idler pulley and cover nut; make sure spacer remains on shaft (Fig. 8). Install cover with pilot pin in slot of support (Fig. 10). Reinstall cover nut and tighten.

#### CHECKING MOWER LEVEL

For optimum efficiency, level of mower should be



**FIG. 9. Mower PTO Pulley**



**FIG. 10. Install Pulley Support Cover**

checked at time of initial installation and periodically as a check to see if alignment is maintained.

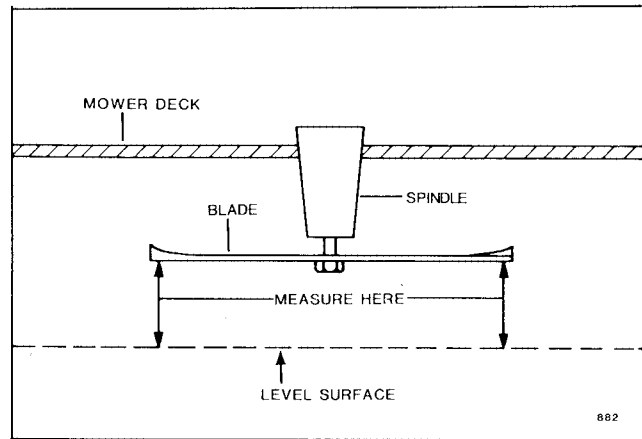
## MOWER LEVEL

Position tractor on a level surface. Adjust all four tires to 12 lbs. pressure. Place mower height control lever in middle cutting position.

Turn mower blades front-to-back. Adjust distance from surface to blade tips equal to 1/8 inch front low (Figs. 11, 12, 13 and 15).

Under some unusual mowing conditions, mower may leave a "streak" of uncut grass, which can be caused by any of the following conditons:

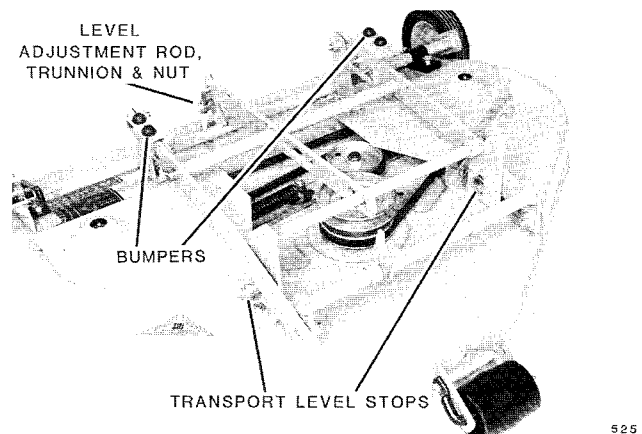
1. Engine being operated at less than full throttle.
2. Dull blades or underside of mower deck clogged with matted grass.
3. Ground speed too high for conditions-adjust to 2 mph (3.2 km/h), or less if necessary.
4. Streaking only on turns indicates turns are being made too sharply.



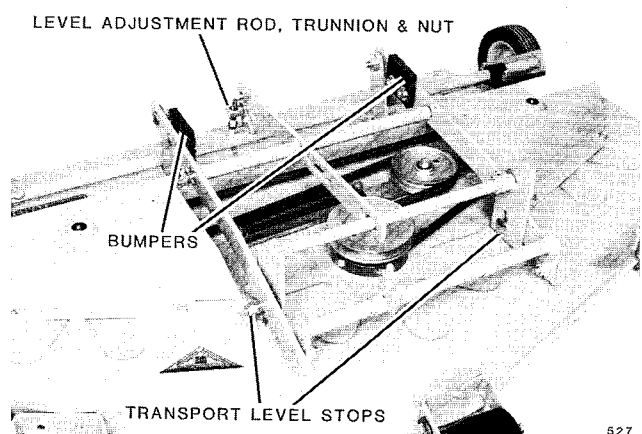
**FIG. 11. Mower Level Measurement**

5. If blades have been sharpened a number of times, they may be too short to "overlap" each other, and must be replaced.

If streaking persists after above possibilities have been eliminated as cause, adjust mower until deck is level, then turn adjustment nut "in" one complete turn, to shorten level adjustment rod and slightly raise front of mower.



**FIG. 12. 36 in. (92 cm) Mower Adjustment**



**FIG. 13. 42 in. (107 cm) Rear Discharge Mower Adjustments**

## TRACTOR LIFT BAR-TRUNNION AND LIFT ROD ADJUSTMENT

This adjustment involves parts located on tractor (Fig. 14). Trunnion on lift chain should be adjusted so that bumpers on draft bars of mower suspension come in contact with tractor footrests when mower is fully raised, with trunnion stud in rear hole of tractor lift lever.

## TRANSPORT LEVEL STOP ADJUSTMENT

For normal operation mower level stops should be adjusted so that carriage bolt heads are set at bottom of bracket slots. If mower is not level in fully raised position, level stops may be adjusted by moving them in bracket slots as required. (Fig. 12, 13 and 15).

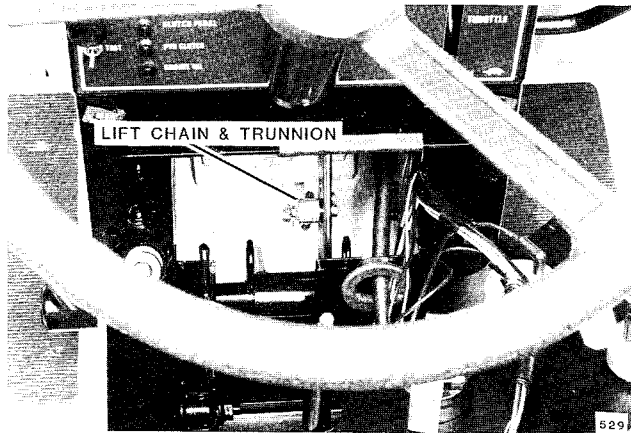


FIG. 14. Tractor Lift Bar Trunnion and Lift Rod Adjustment

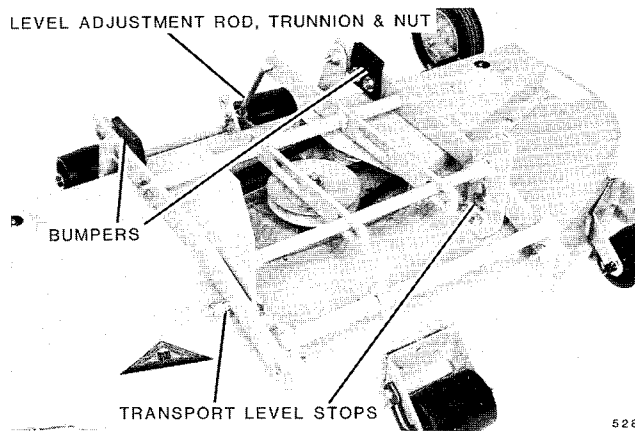


FIG. 15. 42 in. (107 cm) Side Discharge Mower Adjustments

## REMOVAL

Set mower gage wheels in lowest cutting position and lower mower with tractor lift. Turn front wheels all the way left.

Turn drive belt tension adjustment knob clockwise all the way and remove belt from mower.

Push Attach-A-Matic lock release button in and open latch, releasing mower hitch shaft.

Slide mower right until lift bar pin comes out of slot in leveler bar.

Raise tractor lift and slide mower out from under right side of tractor.

Remove drive belt from PTO clutch pulley. Remove pulley support assembly by pushing front hitch lock release button in and opening latch. Drive belt need not be removed from pulley support assembly.

## OPERATION

**IMPORTANT:** Every time mower is installed, check for proper operation of PTO clutch and brake. Adjustment of PTO is covered in Operator's Manual. First time mower is used, or after installing a new mower drive belt, recheck belt tension after first 20 minutes of operation (allow belt to cool before checking tension).

1. Disengage tractor PTO clutch and start engine. Lift mower with tractor lift to remove weight of mower from gage wheels. **Note:** Never stand on mower.

2. Move mower height control lever to hole on quadrant corresponding to desired cutting height. This can be set for 1 to 3 in. (2.6 to 7.8 cm) in 1/2 in. (1.2 cm) intervals. Recommended cutting height is 2-3 in. (5-7.6 cm) for most applications.

3. Lower mower and set engine speed to full throttle. Engage PTO clutch. Regulate ground speed with transmission to 2-3.5 mph (3.2-5.6 km/h)\* for best cutting results on average lawns.

Uneven cutting often results from excessive ground speed. To correct, reduce ground speed with transmission while maintaining full throttle setting.

4. To mow extra tall grass, raise mower to its highest position for a first cutting and use a slow ground speed. Then cut to normal height.



Keep all shields and mower discharge chute in place. Never attempt to clear discharge areas or mower blades, or make any adjustments or repairs, without first disengaging PTO clutch and removing ignition key.

\*Average walking speed is 2.5 mph (4 km/h).

## MAINTENANCE AND STORAGE

### LUBRICATION

Mower spindle bearings should be lubricated at 50 operating hour intervals. Use a pressure type grease gun and #2 multi-purpose lithium grease to lubricate spindle bearings. Four to six pumps of a hand type

grease gun will usually fill each spindle after 50 hours use. Grease zerks are conveniently located at top of spindle shafts on three-blade mowers. Lubricate mower gage wheels every 25 hours.

Lubricate pivoting arms and levers at 25 hour intervals with light machine oil applied directly to wear surfaces. Anti-scalp rollers should NOT be lubricated.

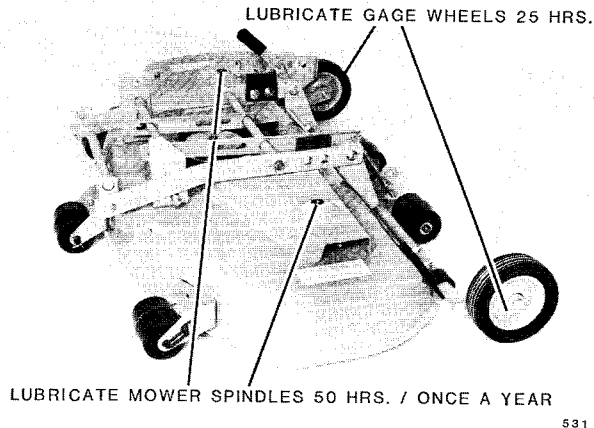


FIG. 16. Three Blade Mower Lubrication Fittings

## BLADE MAINTENANCE



**Sharp edges of mower blades can cut you during blade maintenance or adjustment. Use suitable covering over cutting edges of blade to prevent bodily harm.**

To obtain optimum mowing results, mower blades should be kept sharp and well balanced. To sharpen blades, remove mower from tractor and invert mower. Remove blade attaching nuts and washers from end of spindles and remove blades. A short piece of 2 x 4 lumber may be placed between side of mower deck and blade to "lock" it in position or use wrench between blade and spindle when loosening attaching hardware.

File or grind blades evenly. Take care to retain angle of original cutting edge. Blade balance can be checked on an inexpensive blade balancer, available at most hardware stores.

Reinstall blades with lift area (turned up section) facing mower deck. Tighten blade attaching nuts to a torque of 80-100 ft. lbs. (112-140 Nm).

## UNDERSIDE CLEANING

It is of vital importance to clean underside of mower deck frequently. Accumulation of matted clippings seriously impairs mower's ability to "lift" grass blades into cutting position and discharge clippings evenly. Matted

grass clogging underside of mower is often times a cause of uneven cutting.

## REPLACEMENT BELTS

Be sure to purchase genuine Wheel Horse belts for replacement purposes as these belts are designed specifically for each application.

## MOWER DRIVE BELT REPLACEMENT (Refer to Figs. 7 thru 10)

Turn belt adjustment knob all the way clockwise.

Remove belt cover retaining nut and remove cover being careful not to lose pulley cover spacer. Reinstall nut finger tight to avoid possibility of pulleys and spacers coming off.

Remove belt from PTO, mower and idler pulleys and examine condition of pulleys making sure pulley grooves and bearings are in good condition.

Install replacement belt and adjust tension as outlined under "Install Drive Belt and Cover" Section in this manual.

## SPINDLE BELT REPLACEMENT

Remove mower from tractor.

Remove two side belt covers and note routing of belt. Remove belt. Check to be sure all pulleys work freely. Install a new belt in accordance with belt diagram located on mower. Replace both belt covers.

## GENERAL CARE AND STORAGE

Top of mower deck should be washed with a garden hose after each use. A mild automotive detergent may be used to remove stubborn dirt. After washing, allow mower to dry, then start tractor and engage mower for approximately 1 minute to remove excess water from belt and pulleys.

Touch up painted surfaces with a coat of "Wheel Horse Red", available from your authorized Wheel Horse dealer in aerosol cans.

Store mower in a clean, dry place or protect it with a weather-proof cover when stored outdoors.

