



Super Recycler®

Walk-behind Power Mower

Model No. 20461, 20462, 20463 — 5900001 & Up

Super Recycler®

Tondeuse motorisée à guidage arrière

Modèle No. 20461, 20462, 20463 — 5900001 et suivants

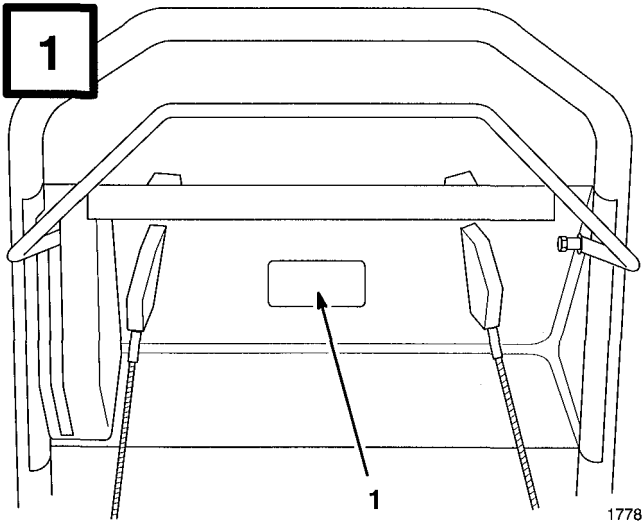
Super Recycler®

Cortadora de césped motorizada empujada por el usuario

Modelos N. 20461, 20462, 20463 — 5900001 y siguientes

**Operator's Manual
Manuel de L'Utilisateur
Manual del Operador**

Figures — Figuras



Self-propelled models
Modèle autotracté
Modelo autopropulsado

English

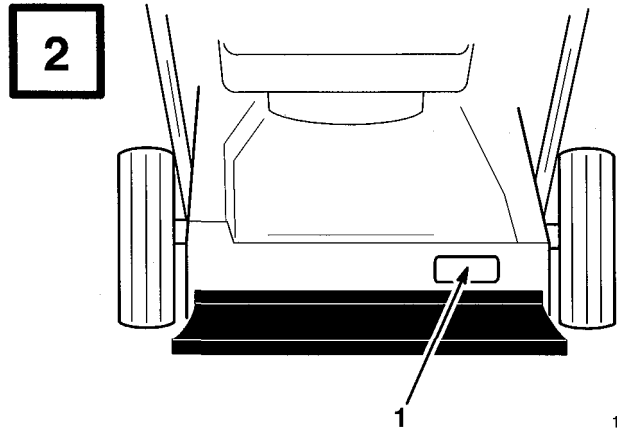
1. Model and serial number decal

Français

1. Décalcomanie de numéros de modèle et de série

Español

1. Calcomanía con los números de modelo y serie



Hand push models
Modèle non tracté
Modelo de empuje manual

English

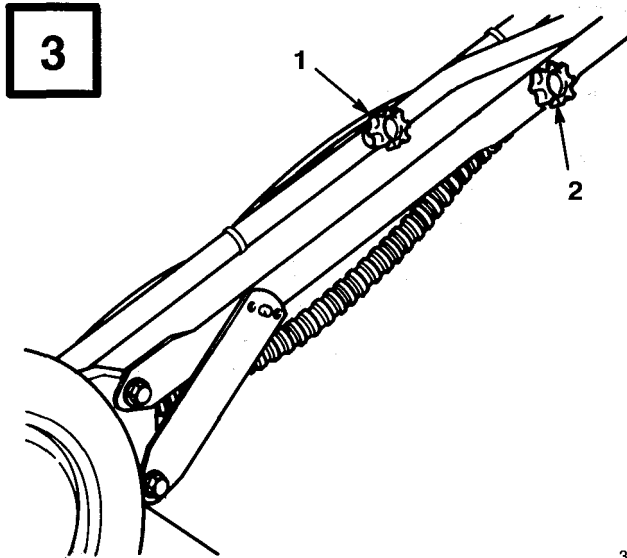
1. Model and serial number decal

Français

1. Décalcomanie de numéros de modèle et de série

Español

1. Calcomanía con los números de modelo y serie



311

English

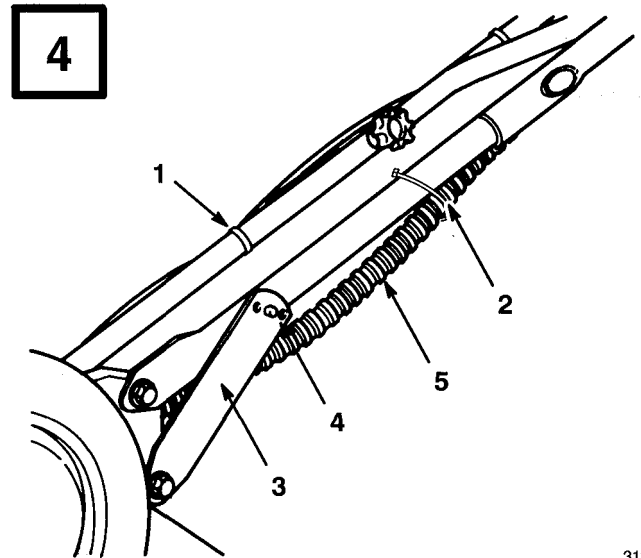
- 1. Right handle knob
- 2. Left handle knob

Français

- 1. Bouton de droite
- 2. Bouton de gauche

Español

- 1. Perilla derecha de la manija
- 2. Perilla izquierda de la manija



311

English

- 1. Cable tie (self-propelled model only)
- 2. Cable tie (hand push model only)
- 3. Handle latch
- 4. Handle stud
- 5. Control cable

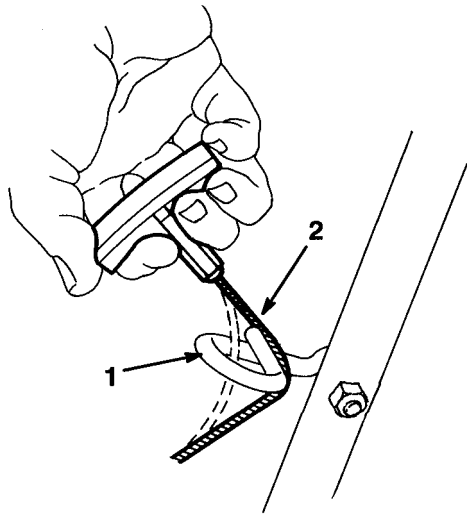
Français

- 1. Attache de câble (modèle autottracté uniquement)
- 2. Attache de câble (modèle non tracté uniquement)
- 3. Patte de verrouillage
- 4. Goujon
- 5. Câble de commande

Español

- 1. Abrazadera para cables (modelo autopulsado solamente)
- 2. Abrazadera para cables (modelo de empuje manual solamente)
- 3. Pestillo de la manija
- 4. Perno
- 5. Cable de control

5



210

English

- 1. Rope guide
- 2. Starter rope

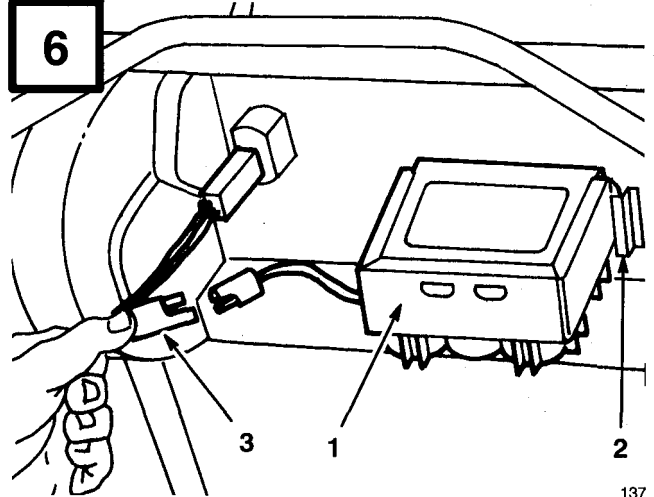
Français

- 1. Guide-câble
- 2. Câble de démarreur

Español

- 1. Guía del cable
- 2. Cable del arrancador

6



137

English

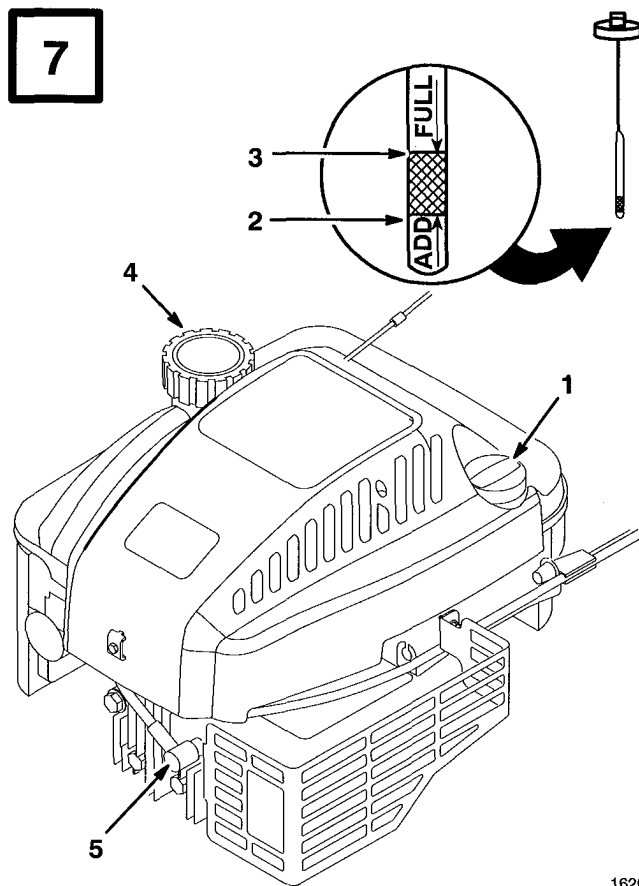
- 1. Battery
- 2. Mounting tab
- 3. Wire harness

Français

- 1. Batterie
- 2. Languette de fixation
- 3. Faisceau de fils

Español

- 1. Batería
- 2. Trabas de montaje
- 3. Arnés de cable



English

- | | |
|--------------|--------------------|
| 1. Dipstick | 4. Fuel tank cap |
| 2. ADD mark | 5. Spark plug wire |
| 3. FULL mark | |

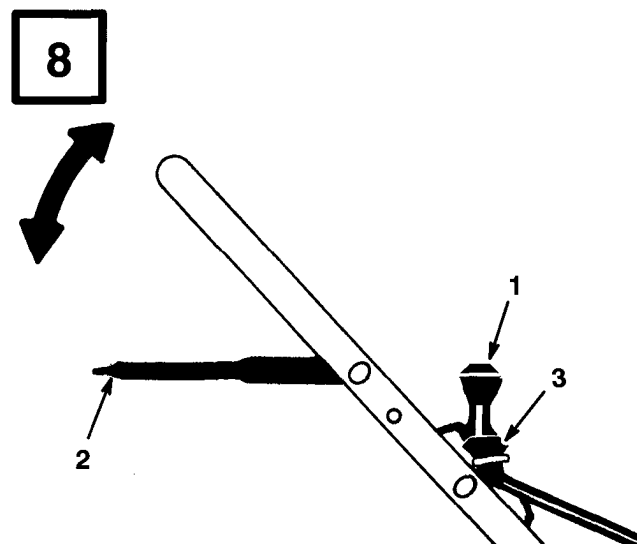
Français

- | | |
|-------------------------|--------------------------------------|
| 1. Jauge d'huile | 4. Bouchon du réservoir de carburant |
| 2. Repère ADD (ajouter) | 5. Fil de bougie |
| 3. Repère FULL (plein) | |

Español

- | | |
|--------------------------|-------------------------------------|
| 1. Varilla de nivel | 4. Tapa del depósito de combustible |
| 2. Marca "ADD" (agregar) | 5. Cable de la bujía |
| 3. Marca "FULL" (lleno) | |

1626



**Hand push models
Modèle non tracté
Modelo de empuje manual**

English

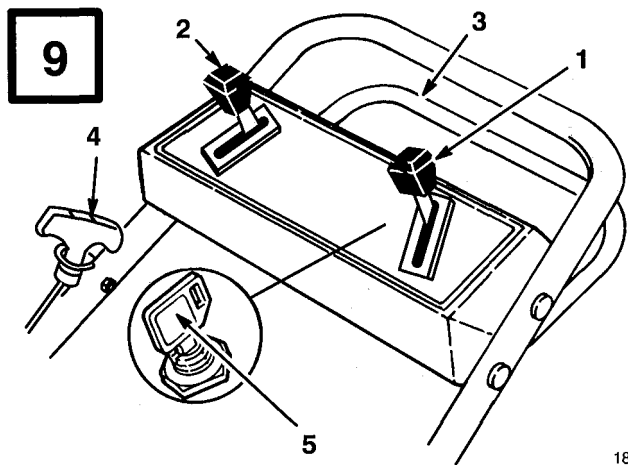
- | | |
|---------------------|-------------------|
| 1. Throttle control | 3. Recoil starter |
| 2. Control bar | |

Français

- | | |
|----------------------|------------------------|
| 1. Commande des gaz | 3. Démarreur de rappel |
| 2. Barre de commande | |

Español

- | | |
|---------------------|---------------------------|
| 1. Acelerador | 3. Arrancador recuperador |
| 2. Barra de control | |



1802

Self-propelled models
Modèle autotracté
Modelo autopropulsado

English

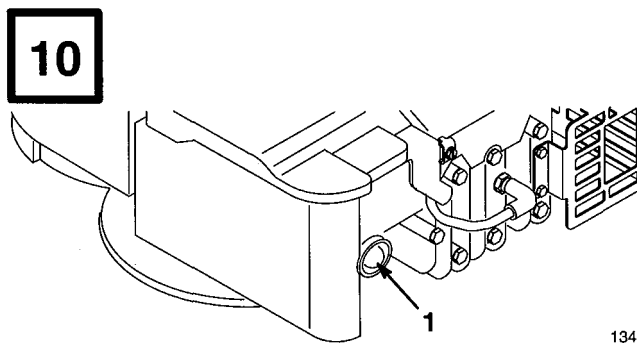
- | | |
|-------------------------|--------------------------------------|
| 1. Throttle control | 4. Recoil starter |
| 2. Ground speed control | 5. Key switch (electric start model) |
| 3. Control bar | |

Français

- | | |
|------------------------|--|
| 1. Commande des gaz | 5. Commutateur a clé de contact (modèles à démarreur électrique) |
| 2. Vitesse au sol | |
| 3. Barre de commande | |
| 4. Démarreur de rappel | |

Español

- | | |
|---------------------------------|--|
| 1. Acelerador | 4. Arrancador recuperador |
| 2. Del sistema de autoimpulsión | 5. Interruptor con llave (modelo con arranque eléctrico) |
| 3. Barra de control | |



1344

English

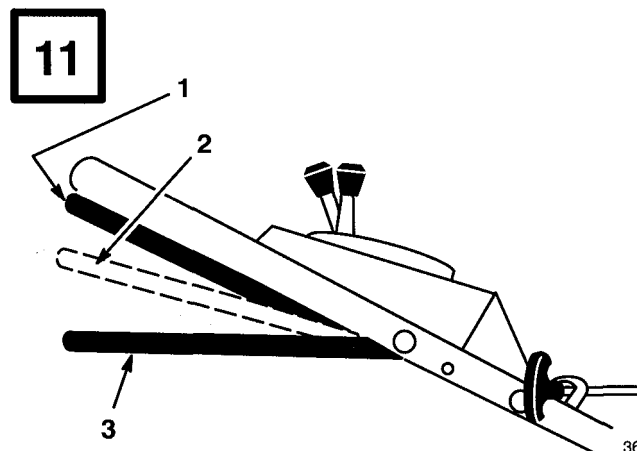
1. Primer

Français

1. Amorceur

Español

1. Cebador



360

English

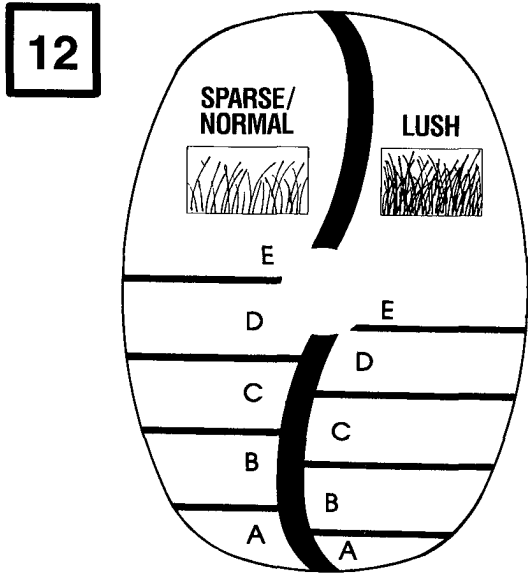
- | | |
|-----------------------|------------------|
| 1. RUN/DRIVE position | 3. STOP position |
| 2. RUN/SHIFT position | |

Français

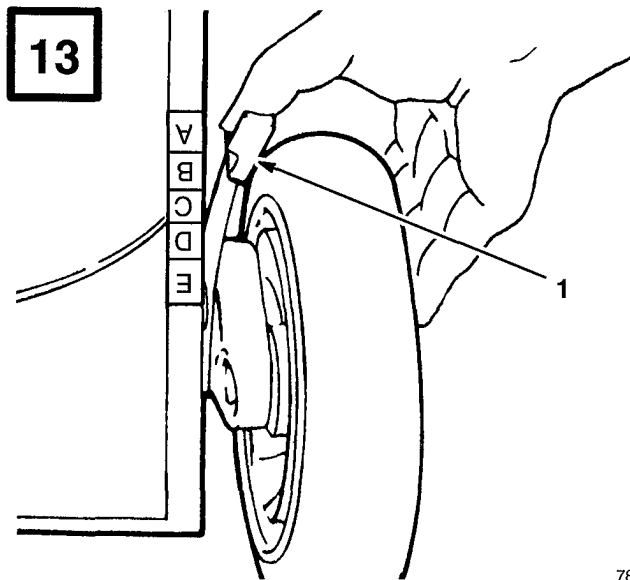
- | | |
|-----------------------------|-------------------|
| 1. Position MARCHÉ/TRACTION | 3. Position ARRÊT |
| 2. Position MARCHÉ/EMBAYAGE | |

Español

- | | |
|-------------------------------|--------------------|
| 1. Posición AVANCE/AUTOMÁTICO | 3. Posición PARADA |
| 2. Posición AVANCE/MANUAL | |



778



788

English

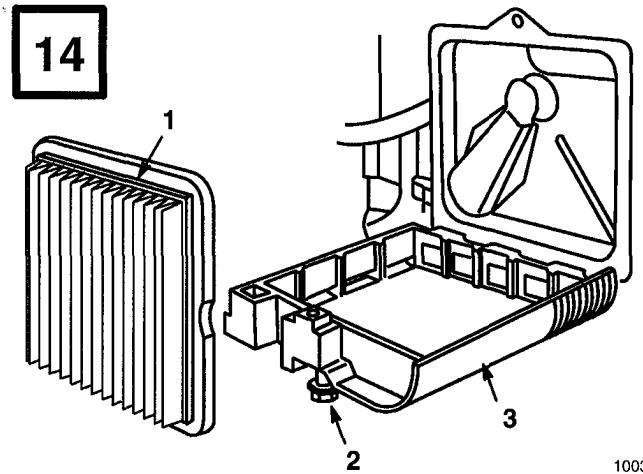
- 1. Height-of-cut lever

Français

- 1. Levier de hauteur de coupe

Español

- 1. Palanca de ajuste de altura de corte



1003

English

- 1. Air filter
- 2. Screw

- 3. Cover

Français

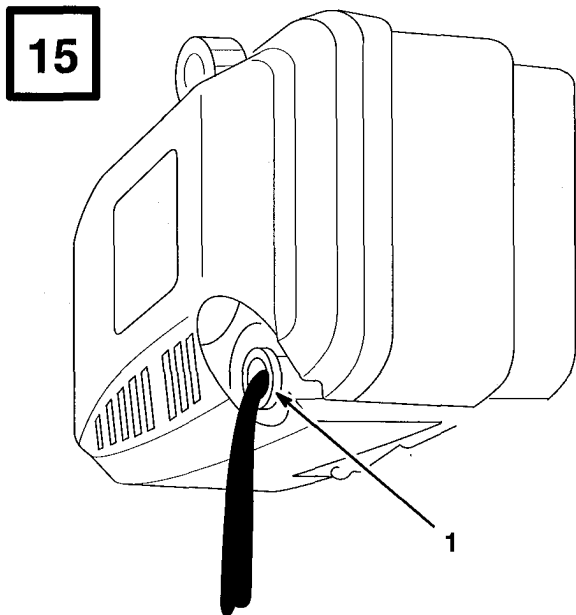
- 1. Filtre à air
- 2. Vis

- 3. Couvercle

Español

- 1. Filtro de aire
- 2. Tornillo

- 3. Cubierta



English

- 1. Oil fill tube

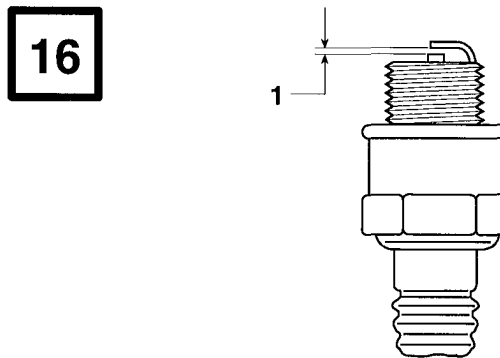
Français

- 1. Tube de remplissage d'huile

Español

- 1. Tubo de llenado del aceite

1782



English

- 1. .030 in. (.76 mm)

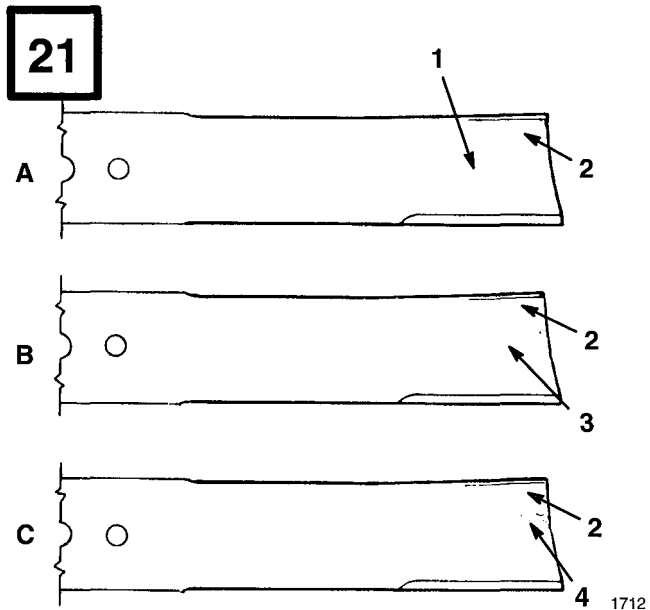
Français

- 1. 0,076 mm

Español

- 1. 0,076 mm

986



English

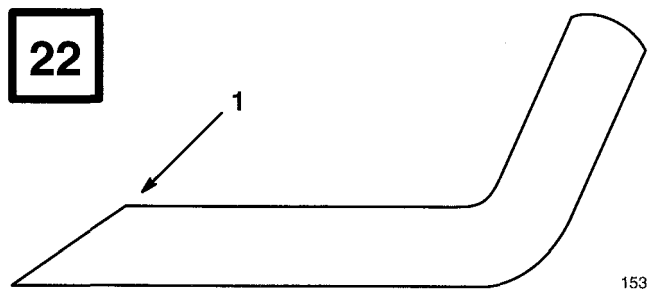
- 1. Flat part of blade
- 2. Sail
- 3. Wear
- 4. Slot formed

Français

- 1. Section plane de la lame
- 2. Pale
- 3. Usure
- 4. Fente formee

Español

- 1. Parte plana de la cuchilla
- 2. Aleta
- 3.- Desgaste
- 4. Ranura formada



English

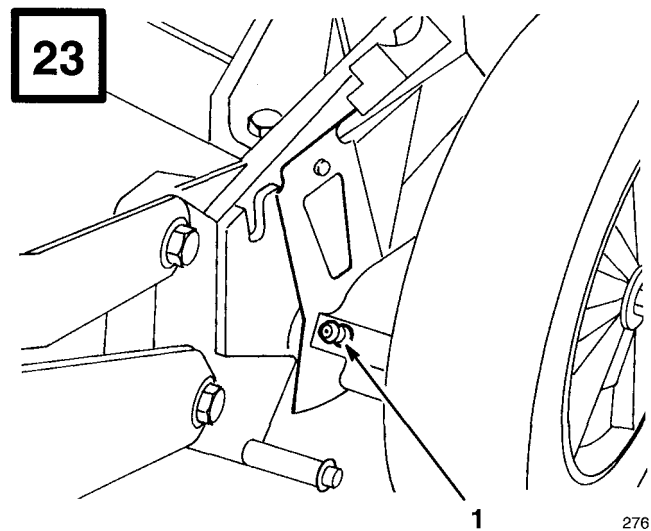
- 1. Sharpen at this angle only

Français

- 1. Aiguiser à cet angle seulement

Español

- 1. Afile en este angulo solament



English

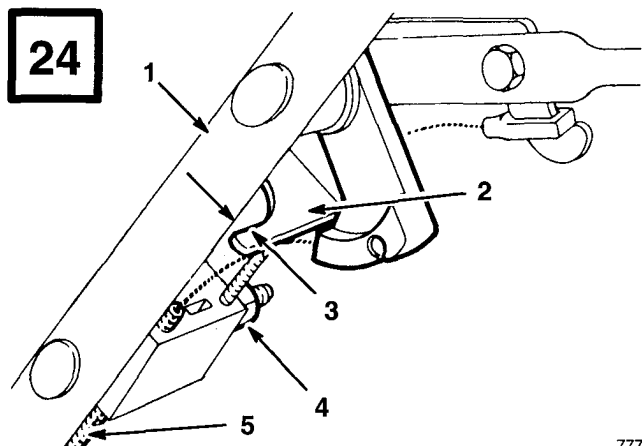
- 1. Grease fitting

Français

- 1. Graisseur

Español

- 1. Engrasador



Self-propelled models
Modèle autotracté
Modelo autopropulsado

English

- | | |
|----------------|------------------|
| 1. Handle | 4. Nut |
| 2. Brake lever | 5. Cable conduit |
| 3. 1/8"–3/16" | |

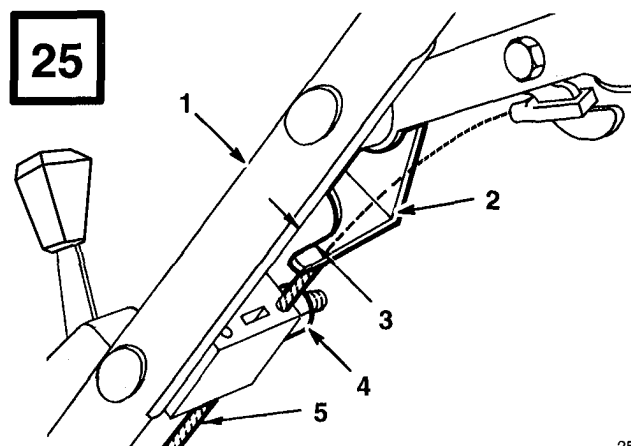
Français

- | | |
|--------------------|-------------------|
| 1. Mancheron | 4. Ecrou |
| 2. Levier de frein | 5. Gaine du câble |
| 3. 3,2–4,8 mm | |

Español

- | | |
|----------------------|-----------------------|
| 1. Manija | 4. Tuerca |
| 2. Palanca del freno | 5. Conducto del cable |
| 3. 3,2–4,8 mm | |

777



Hand push models
Modèle non tracté
Modelo de empuje manual

English

- | | |
|----------------|------------------|
| 1. Handle | 4. Nut |
| 2. Brake lever | 5. Cable conduit |
| 3. 1/8"–3/16" | |

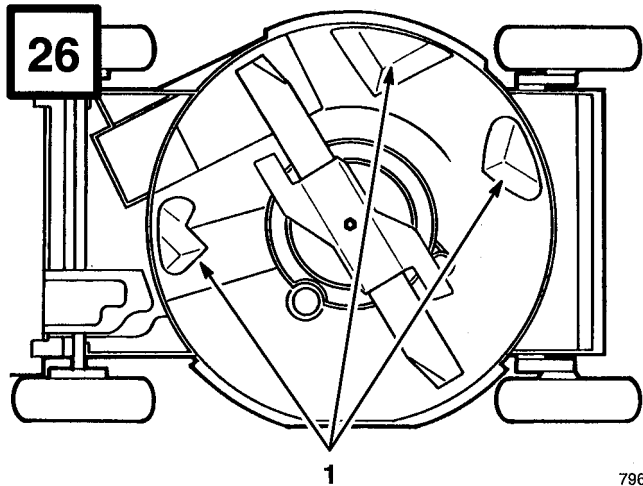
Français

- | | |
|--------------------|-------------------|
| 1. Mancheron | 4. Ecrou |
| 2. Levier de frein | 5. Gaine du câble |
| 3. 3,2–4,8 mm | |

Español

- | | |
|----------------------|-----------------------|
| 1. Manija | 4. Tuerca |
| 2. Palanca del freno | 5. Conducto del cable |
| 3. 3,2–4,8 mm | |

251



English

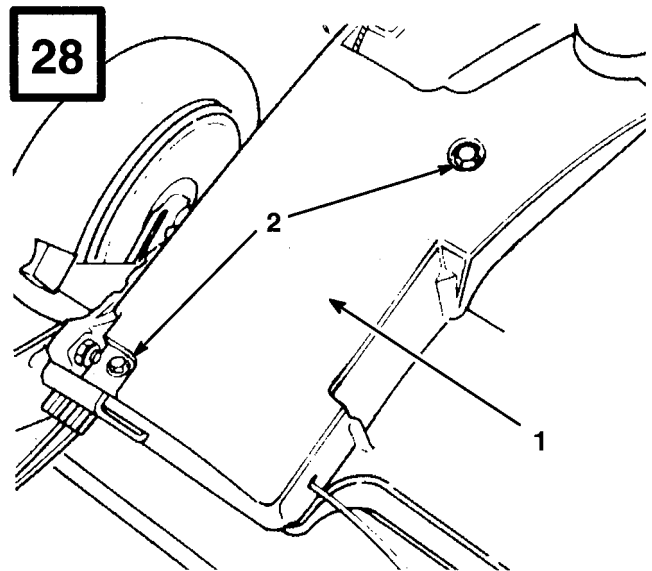
- 1. Kickers

Français

- 1. Plaques de déflexion

Español

- 1. Placas deflectoras



English

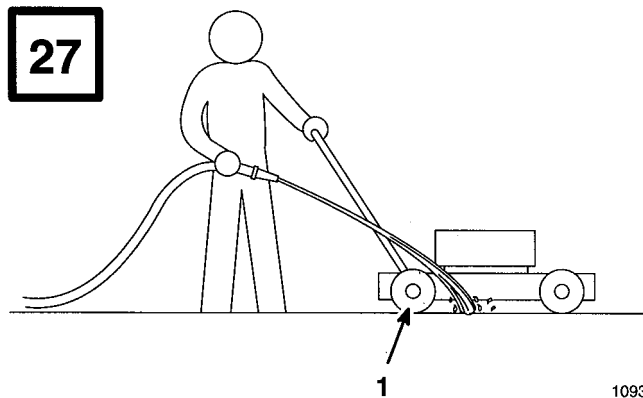
- 1. Belt cover
- 2. Bolt

Français

- 1. Garde de la courroie
- 2. Boulon

Español

- 1. Tapa de la correa
- 2. Tornillo



English

- 1. Right rear wheel

Français

- 1. Roue arrière droite

Español

- 1. Rueda trasera derecha

Contents

	Page		Page
Introduction	2	Maintenance	13
Safety	3	Recommended Maintenance Schedule ...	13
Safe Operating Practices	3	Air Filter	14
Safety and Instruction Decals	6	Drain Gasoline	14
Assembly	7	Change Engine Oil	14
Handle	7	Spark Plug	15
Starter Rope	7	Throttle Cable	15
Battery	7	Self-propelled Cable	15
Before Starting	7	Blade	16
Oil	7	Lubrication	17
Gasoline	8	Blade Brake	17
Recycling Tips	9	Charging Battery	17
General Tips	9	Disposing of Battery	17
Operation	10	Cleaning	18
Controls	10	Storage	19
Starting Engine	10	Fuel	19
Stopping Engine	10	Engine	19
Self-propelled Drive	10	Cleaning	19
Pulling Mower Rearward	11	General	19
Adjusting Cutting Height	11	Removing From Storage	20
		Warranty	21

Introduction

Thank you for purchasing a Toro product.

All of us at Toro want you to be completely satisfied with your new product, so feel free to contact your local Authorized Service Dealer for help with service, genuine Toro parts, or other information you may require.

Whenever you contact your Authorized Service Dealer or the factory, always know the model and serial numbers of your product. These numbers will help the Service Dealer or Service Representative provide exact information about your specific product. You will find the model and serial number decal located in a unique place on the product (Fig. 1 & 2).

For your convenience, write the product model and serial numbers in the space below.

Model No. _____
Serial No. _____

Read this manual carefully to learn how to operate and maintain your product correctly. Reading this manual will help you and others avoid personal injury and damage to the product. Although Toro designs, produces and markets safe, state-of-the-art products, you are responsible for using the product properly and safely. You are also responsible for training persons who you allow to use the product about safe operation.

The Toro warning system in this manual identifies potential hazards and has special safety messages that help you and others avoid personal injury, even death. DANGER, WARNING and CAUTION are signal words used to identify the level of hazard. However, regardless of the hazard, be extremely careful.


DANGER signals an extreme hazard that will cause serious injury or death if the recommended precautions are not followed.

WARNING signals a hazard that may cause serious injury or death if the recommended precautions are not followed.

CAUTION signals a hazard that may cause minor or moderate injury if the recommended precautions are not followed.


Two other words are also used to highlight information. "Important" calls attention to special mechanical information and "Note" emphasizes general information worthy of special attention.

Safety

This machine meets or exceeds CPSC blade safety requirements for walk-behind rotary mowers and the B71.1 specifications of the American National Standards Institute, in effect at time of production. However, improper use or maintenance by the operator or owner can result in injury. To reduce the potential for injury, comply with these safety instructions and always pay attention to the safety alert  symbol which means CAUTION, WARNING or DANGER—"personal safety instruction." Failure to comply with the instruction may result in personal injury.

Safe Operating Practices

This product is capable of amputating hands and feet and throwing objects. Always follow all safety instructions to avoid serious injury or death.

 WARNING
<p>POTENTIAL HAZARD</p> <ul style="list-style-type: none">• Engine exhaust contains carbon monoxide, which is an odorless, deadly poison.
<p>WHAT CAN HAPPEN</p> <ul style="list-style-type: none">• Carbon monoxide can kill you and is also known to the State of California to cause birth defects.
<p>HOW TO AVOID THE HAZARD</p> <ul style="list-style-type: none">• Do not run engine indoors or in an enclosed area.

This mower is designed for cutting and recycling grass or, when equipped with a grass bag, for catching cut grass. Any use for purposes other than these could prove dangerous to user or bystanders.

Note: This engine is NOT equipped with a spark arrester muffler. Use or operation of this mower in the State of California on any forest-covered, brush-covered or unimproved grass-covered land, without an approved spark arrester muffler, is a violation of the law. Other states may have similar laws.

General Operation

1. Read this manual carefully before operating the mower. Become familiar with the controls and proper use of the mower. Never allow children under 16 years of age to operate the mower. Never allow adults to operate mower without proper instructions.
2. The operator of the mower is responsible for keeping everyone, especially children and pets, away from area of operation. The operator is responsible for accidents or hazards occurring to other people or their property.
3. Thoroughly inspect area where mower will be used and remove sticks, stones, wire, and debris. Watch for foreign objects while mowing.
4. Wear long pants and substantial shoes. Do not operate mower while wearing open-toed shoes, jewelry, loose clothing or when barefoot.
5. Check fuel level before starting engine. Because fuel is highly flammable, handle it carefully.
 - A. Use an approved container.
 - B. Fill fuel tank outdoors, not indoors.
NEVER ADD FUEL TO AN ENGINE THAT IS RUNNING OR HOT.
 - C. Install gas cap on fuel container and gas tank, and wipe up any spilled gasoline before starting engine.
 - D. Do not smoke while refueling.

-
6. Keep all guards, shields, grass catchers and safety devices in place. Repair or replace damaged parts, including decals. Check all safety devices before each use.
 7. Before using, always visually inspect to see that the blades, blade fasteners and cutter assembly are not worn or damaged. Replace worn or damaged blades and fasteners in sets to preserve balance.
 8. Traction drive (self-propelled model), blade and engine are designed to stop when control bar is released. Ensure control and brake function properly before each use of mower.
 9. Disengage the self-propelled mechanism or drive clutch (self-propelled model) before starting the engine.
 8. Since the blade rotates for a few seconds after the control bar is released, stay behind the handle until the engine stops.
 9. After striking a foreign object or if mower vibrates abnormally, stop engine and remove wire from spark plug. Check mower for damage and make all repairs before using mower again. If major repairs are ever needed or if assistance is desired, contact your local Authorized Toro Service Dealer.

10. Stop the engine and wait for all moving parts to stop before adjusting the height-of-cut.
11. Stop the blade when pushing the mower outside the lawn area.
12. Stop engine before leaving the operator's position – behind the handle. Disconnect wire from spark plug if mower will be unattended.
13. Do not touch engine while it is running or shortly after it is stopped because engine will be hot enough to cause a burn.
14. Refuel only when engine is cool.
15. If mower must be lifted to be transported, turn off engine and stay behind the handle until all moving parts stop.

While Operating

1. Do not run engine indoors.
2. Start the engine carefully according to instructions and with feet well away from the blade.
3. Always maintain secure footing. Keep a firm grip on the handle and walk; never run. Never operate mower in wet grass. Mow only in daylight or in good artificial light.
4. Mow across the face of slopes; never up and down. Use extreme caution when changing direction on slopes. Do not mow excessively steep slopes. Wear skid resistant shoes on slopes.
5. Always wear safety glasses or eye shields during operation to protect eyes from foreign objects that may be thrown from the machine.
6. Keep face, hands, and feet away from the mower housing and cutter blade when the engine is running. Blade can cause injury to hands and feet. Stay behind the handle until the engine stops.
7. Use extreme caution when reversing or pulling the mower towards you.

Maintenance

1. Perform only those maintenance instructions described in this manual. If major repairs are ever needed or if assistance is desired, contact your local Authorized Toro Service Dealer.
2. Before mower is cleaned, inspected, serviced, or adjusted, stop engine and disconnect wire from spark plug. Keep wire away from plug to prevent accidental starting.
3. To ensure the mower is in safe operating condition, frequently check and keep all nuts, bolts, and screws tight. Ensure blade bolt is tightened to 40-50 ft.-lbs. (54-68 N·m).
4. When servicing blade, refer to blade maintenance section for correct installation and servicing procedures.

-
5. To reduce fire hazard, keep engine free of excessive grease, grass, leaves, and accumulations of dirt.
 6. Do not overspeed the engine by changing governor settings.
 7. Allow engine to cool before storing mower in any enclosure. Do not store mower near any open flame or where gasoline fumes may be ignited by a spark.
 8. At the time of manufacture, the mower conformed to the safety standards in effect for rotary mowers. To ensure best performance and continued safety certification of the mower, use genuine TORO replacement parts and accessories. Replacement parts and accessories made by other manufacturers may result in nonconformance with the safety standards, and that could be dangerous.

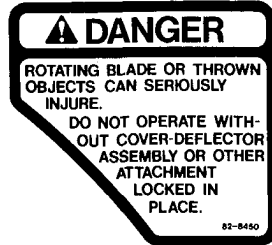
Safety and Instruction Decals



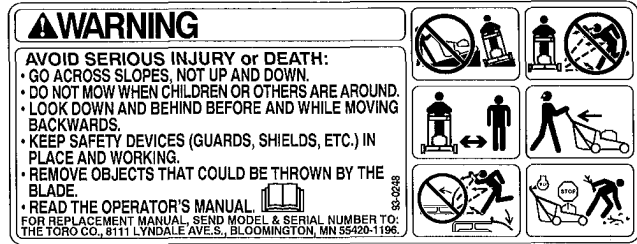
Safety decals and instructions are easily visible to the operator and are located near any area of potential danger. Replace any decal that is damaged or lost.



ON MOWER HOUSING
(Part No. 39-5770)

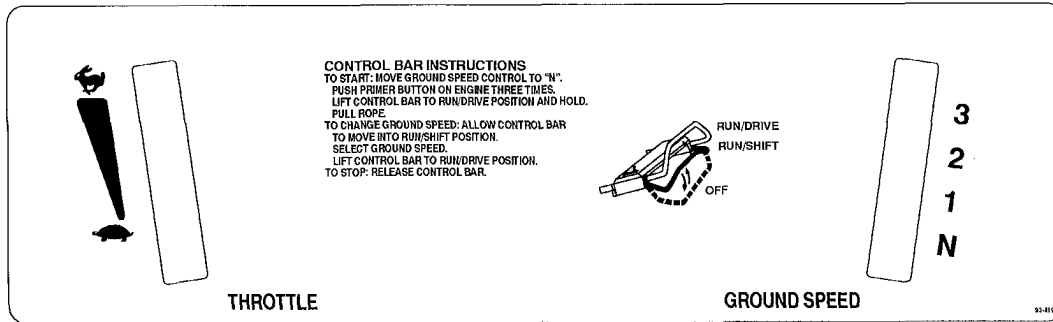


UNDER COVER-DEFLECTOR ASSEMBLY ON MOWER DECK
(Part No. 82-8450)



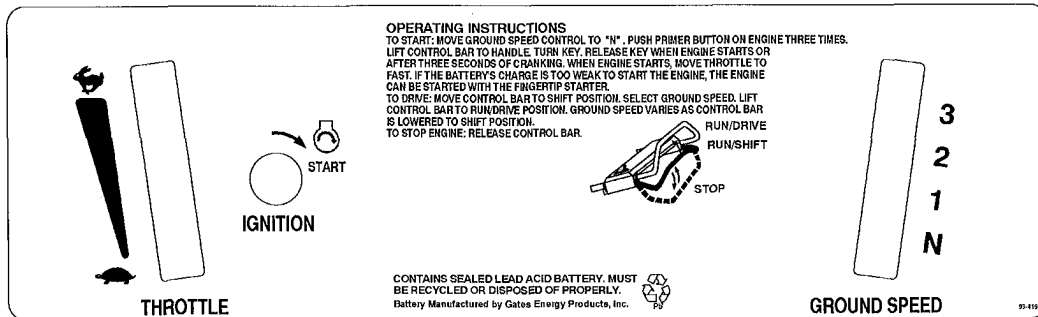
Hand push model only

ON MOWER HOUSING
(Part No. 93-0248)



Self-propelled model only

ON CONTROL PANEL
(Part No. 93-4191)



Electric start model only

ON CONTROL PANEL
(Part No. 93-4192)

Assembly

Note: Determine left and right hand sides of the unit by standing in the normal operator's position.

Handle

1. The mower is shipped from the factory with filler between the upper and lower handle joints to prevent shipping and assembly damage. Align upper and lower handles and remove the filler with a pliers.
 2. The left handle knob is shipped from the factory on the outside of the handle (Fig. 3). Remove the left knob and bolt. Reinstall knob and bolt on inside of handle (Fig. 4). Both handle knobs should be positioned on the inside of the handles. Tighten handle knobs.
 3. Move handle latches slightly outward so they will not be in the way when pivoting the handle backward into the operating position (Fig. 4).
 4. Pivot handle backward. Move handle latches inward while snapping handle stud into center hole of handle latch (Fig. 4). If a handle latch does not fit tightly against the handle tube, remove latch from handle stud, bend the latch inward, and reattach to handle stud. Repeat as necessary to ensure a tight fit between latch and handle. Make sure handle knobs are securely tightened.
- Note:** If handle height is not satisfactory, adjust by placing handle stud into a different hole.
5. Ensure control cables are to the rear and inside of handles. Secure cables to handle with cable ties (Fig. 4).

Starter Rope

1. Pull starter rope through rope guide on handle (Fig. 5).

Note: To make the rope easier to loop, squeeze the control bar on the handle to release the blade brake.

Battery

(electric start model only)

1. Slide battery, decal side up, between mounting tabs on back of control panel and connect wires (Fig. 6).
2. Charge Battery. Refer to Charging Battery section.

Before Starting

Oil

Fill crankcase with SAE 30 oil until oil level reaches FULL mark on dipstick. 10W-30 oil may be substituted if SAE 30 is not available. The maximum crankcase capacity is 20 ounces (0.6 liters) of oil. Use any high quality detergent oil having the American Petroleum Institute (API) "service classification"—SF, SG or SH.

Before each use, ensure oil level is between FULL and ADD marks on dipstick (Fig. 7). Add oil if level is low.

1. Position mower on level surface and clean around oil dipstick (Fig. 7).
2. Remove dipstick by rotating cap counterclockwise 1/4 turn.
3. Wipe dipstick and insert it into filler neck. Rotate cap clockwise 1/4 turn. Then remove dipstick and check level of oil on side of dipstick with FULL and ADD marks (Fig. 7). If level is low, add only enough oil to raise level to FULL mark on dipstick. **DO NOT FILL ABOVE FULL MARK BECAUSE ENGINE COULD BE DAMAGED WHEN STARTED. POUR OIL SLOWLY.**
4. Insert dipstick into filler neck and rotate cap clockwise 1/4 turn to lock.

Note: Check oil level each time mower is used or after every 5 operating hours. Initially, change oil after the first 2 hours of operation; thereafter, change oil after every 25 hours of operation. More frequent oil changes are required in dusty or dirty conditions.

combustion chamber deposits. Leaded gasoline can be used if unleaded is not available.

Toro also recommends that Toro Stabilizer/Conditioner be used regularly in all Toro gasoline powered products during operation and storage seasons. Toro Stabilizer/Conditioner cleans the engine during operation and prevents gum-like varnish deposits from forming in the engine during periods of storage.

Gasoline

DANGER

POTENTIAL HAZARD

- In certain conditions gasoline is extremely flammable and highly explosive.

WHAT CAN HAPPEN

- A fire or explosion from gasoline can burn you, others, and cause property damage.

HOW TO AVOID THE HAZARD

- Use a funnel and fill the fuel tank outdoors, in an open area, when the engine is cold. Wipe up any gasoline that spills.
- Do not fill the fuel tank completely full. Add gasoline to the fuel tank until the level is 1/4" to 1/2" (6 mm to 13 mm) below the bottom of the filler neck. This empty space in the tank allows gasoline to expand.
- Never smoke when handling gasoline, and stay away from an open flame or where gasoline fumes may be ignited by a spark.
- Store gasoline in an approved container and keep it out of the reach of children.
- Never buy more than a 30-day supply of gasoline.

Note: Do not use gasoline that has been stored in an approved container from one season to the next. Toro strongly recommends the use of fresh, clean, **UNLEADED** regular grade gasoline in Toro gasoline powered products. Unleaded gasoline burns cleaner, extends engine life, and promotes good starting by reducing the build-up of

1. Clean around fuel tank cap and remove cap from tank (Fig. 7).
2. Using unleaded gasoline, fill fuel tank to within 1/4" to 1/2" (6 to 13 mm) from top of tank, not into filler neck. Do not fill tank full.
3. Reinstall fuel tank cap and wipe up any spilled gasoline.

IMPORTANT: DO NOT MIX OIL WITH THE GASOLINE. NEVER USE METHANOL, GASOLINE CONTAINING METHANOL, GASOHOL CONTAINING MORE THAN 10% ETHANOL OR WHITE GAS BECAUSE ENGINE FUEL SYSTEM DAMAGE COULD RESULT.

DO NOT USE FUEL ADDITIVES OTHER THAN THOSE MANUFACTURED FOR FUEL STABILIZATION DURING STORAGE SUCH AS TORO'S STABILIZER/CONDITIONER OR A SIMILAR PRODUCT. TORO'S STABILIZER/CONDITIONER IS A PETROLEUM DISTILLATE BASED CONDITIONER/STABILIZER. TORO DOES NOT RECOMMEND STABILIZERS WITH AN ALCOHOL BASE SUCH AS ETHANOL, METHANOL OR ISOPROPYL. ADDITIVES SHOULD NOT BE USED TO TRY TO ENHANCE THE POWER OR PERFORMANCE OF MACHINE.


4. Connect spark plug wire (if disconnected) (Fig. 7).

Recycling Tips

General Tips

Follow these instructions whether cutting grass or leaves for the best cutting results and lawn appearance:

- Maintain a **sharp blade** throughout the cutting season. Periodically file down nicks on blade.
- **Only mow dry grass or leaves.** Wet grass and leaves tend to clump on yard and may cause mower to plug or engine to stall. They may also be slippery to walk on and could cause you to slip and fall.

 WARNING
POTENTIAL HAZARD <ul style="list-style-type: none">• Wet grass or leaves can cause you to slip and contact blade.
WHAT CAN HAPPEN <ul style="list-style-type: none">• Blade contact can seriously injure you.
HOW TO AVOID THE HAZARD <ul style="list-style-type: none">• Mow only in dry conditions.

- Set engine speed to fastest position. Maximum horsepower provides best cutting results.
- Clean clippings or leaves from underside of mower deck after each mowing.
- Keep engine in good running condition. Cutting and recutting requires more horsepower.
- Clean air filter more frequently. Cutting and recutting stirs up more clippings and dust which clogs the air filter and reduces engine performance.

Cutting Grass

- Grass grows at different rates at different times of the year. In the heat of summer, it is generally best to cut grass at the C, D or E height-of-cut settings. Only about 1/3 of the grass blade should be cut off. Cutting below the C inch setting is not recommended unless grass is sparse or it is late fall when grass growth begins to slow down.
- When changing height-of-cut from the established setting (ex. C, D or E) to a new height, the grass may appear ragged or uneven until the grass adjusts to the new established height-of-cut and regains its normal appearance.
- When cutting grass over six inches tall, you may want to first mow using the highest height-of-cut setting and a slower walking speed; then mow again at a lower setting for best lawn appearance. If grass is too long and leaves clumps on top of lawn, mower may plug and cause engine to stall.
- Alternate mowing direction. This helps disperse clippings over lawn for even fertilization.

If the finished cut lawn appearance is unsatisfactory, try one or more of the following:

- Sharpen the blade.
- Walk at a slower pace while mowing.
- Raise the height-of-cut setting on your mower.
- Cut grass more frequently.
- Overlap cutting swaths instead of cutting a full swath with each pass.
- Set height-of-cut on front wheels one notch lower than rear wheels. (example: set front wheels at “C” setting and rear wheels at “D” setting)



Cutting Leaves

- When cutting is complete, always be sure that 50% of the lawn shows through the cut leaf cover. This may require one or more passes over the leaves.

- For light leaf coverage, position all wheels at the same height-of-cut setting.
- If there are more than five inches of leaves on lawn, set the front wheels one or two notches higher than the rear wheels. This makes it easier to feed leaves under mower deck.
- Walk at a slower mowing speed if leaves are not being cut up finely enough to be hidden down in the grass.
- If you cut up a lot of oak leaves, you might want to add lime to your grass in the spring. Lime reduces the acidity of oak leaves.

- **Manual Starting:** Squeeze control bar against handle. Pull starter handle lightly until resistance is felt, then pull sharply. Let rope return to handle slowly.
- **Key-lectric Starting (electric start model only):** Insert key into switch. Turn key to START and release when engine begins running.

Note: If the battery's charge is too weak to start the engine, the engine can be started with the recoil starter.



6. Regulate throttle as desired between  (FAST) and .

Operation

Controls

Key switch (electric start model), throttle control, ground speed control (self-propelled model), control bar and recoil starter are on upper handle (Fig. 8 & 9).

Starting Engine

1. Push spark plug wire onto spark plug (Fig. 7).
2. **Self-propelled model only**—Move ground speed control to  (NEUTRAL).
3. Move throttle control to  (FAST).
4. Push primer three (3) times (Fig. 10). **Wait about two (2) seconds between each push.**

Note: Do not use primer to restart a warm engine after a short shutdown. However, cool weather may require priming to be repeated.

5. Start the mower:

Stopping Engine

1. Release control bar. Engine, blade and traction drive will stop. See your dealer immediately if they do not. Stay behind the handle until all moving parts stop.
2. Pull wire off spark plug if mower will be unattended or not used. Remove key from switch on electric start model.


Self-propelled Drive

(self-propelled models only)

The mower has three ground speeds: number “1” is slow, “2” is medium, and “3” is a fast walking pace.

1. Move control bar to the RUN/SHIFT position (Fig. 11).
2. Move ground speed control to desired setting.
3. To engage the self-propel drive, squeeze the control bar against the handle to the RUN/DRIVE position (Fig. 11).

Note: Do not shift speeds while control bar is squeezed against handle in the RUN/DRIVE position (Fig. 11); the transmission could be damaged. Move control bar to the RUN/SHIFT position when changing ground speed.

Ground speed can be varied by increasing or decreasing distance between control bar and handle. Lower control bar to slow mower when making a turn or if mower is moving too fast for you. If you lower control bar too far, the mower will stop self-propelling. Squeeze control bar closer to handle to increase ground speed. When control bar is tight against handle, mower will self-propel at maximum ground speed. Move ground speed control to  (NEUTRAL) when using the mower for trimming and whenever leaving mower.

Pulling Mower Rearward

(self-propelled models only)

Your mower is equipped with free-wheeling clutches which make it easier to pull the mower rearward. The control bar must be lowered enough to disengage the self-propelled drive and disengage the clutches before pulling the mower rearward. The mower may need to be pushed forward one inch or more after control bar has been released to disengage the self-propelled drive and disengage the clutches.

For example, if you are approaching an object such as a tree or bush from which you want to pull back the mower, lower the control bar just enough to disengage the traction drive when the mower is about six inches away from the object. The momentum of the mower should carry it forward at least one inch which will disengage the clutches. Then you should be able to easily pull the mower rearward.

The self-propelled cable should be properly adjusted so that you can lower the control bar comfortably to stop the traction drive without stopping the engine. See Self-propelled Cable section in the Maintenance chapter for cable adjustment information. If you need help, see your Authorized Toro Service Dealer.

Adjusting Cutting Height

Toro's exclusive SmartWheel™ provides a simple method for determining the proper cutting height.

The SmartWheel has two cutting scales — SPARSE/NORMAL and LUSH — to ensure the best height-of-cut setting in any mowing condition (Fig. 12). Use the SPARSE/NORMAL scale during the warm summer season for the majority of your mowing. The LUSH scale is for thick, moist, succulent grass that grows most often in the spring.

In general, it is recommended that:

- Grass length should usually be cut at the C, D or E settings or maintained at two to three inches in height.
- Cutting below the C setting is not recommended unless grass is sparse or it is late fall when grass growth begins to slow down. When cutting long grass, you may need to use a higher height-of-cut setting and a slower walking speed; then recut the grass at a more normal setting. If grass is too long and leaves clumps on top of lawn, mower may plug and cause engine to stall.
- The SmartWheel calculates the proper setting to ensure that no more than 1/3 of the grass blade is cut off.

DANGER

POTENTIAL HAZARD

- Adjusting height-of-cut levers could bring hands into contact with moving blade.

WHAT CAN HAPPEN

- Contact with rotating blade can cause serious injury.

HOW TO AVOID THE HAZARD

- Stop engine and wait for all movement to stop before adjusting cutting height.
- Do not put fingers under housing when adjusting height-of-cut.

1. Before starting the engine and beginning to mow, push the mower into the grass. Stop when the letters on the SmartWheel™ design on the rear left wheel are upright (Fig. 12).

-
2. Using the color coded SmartWheel design (Fig. 12), compare the tips of the grass blades to the colors/letters on the wheel. Whichever color/letter the tips of the grass blades correspond with is the proper cutting height.
 3. Squeeze the mower's height-of-cut lever toward the wheel and move it to the corresponding color/letter on the mower housing (Fig. 13). For easier adjustment, lift housing up so wheel is off ground. **Do not put fingers under housing**

when lifting. Ensure pin on height-of-cut lever engages slot in housing. Adjust all wheels to the same color/letter setting.

Note: Front wheels can be adjusted to 1/2 inch. Move adjusting lever past "A" and release pin into slot in housing. It is not recommended that the 1/2 inch height-of-cut setting be used on a regular basis.

Maintenance

Continued safe and dependable operation requires routine maintenance.

Recommended Maintenance Schedule

Service Item	Service Operation	After every use	5 Hours	25 Hours	50 Hours	100 Hours
Housing	Clean built-up grass clippings and dirt.	X				
Fasteners	Check blade and engine mounting fasteners frequently. Keep all nuts, bolts and screws tight to be sure the mower is in safe working condition.		X			
Engine Oil	Drain and refill engine crankcase with fresh oil after first 2 hours of operation. Thereafter, change every 25 hours.			X		
Air Filter	Replace each mowing season or every 25 hours. Replace more frequently if operating conditions are dusty.			X		
Lubrication	Grease rear grease fittings.			X		
Blade	Sharpen or replace; maintain more frequently if edge is dulled quickly in rough or sandy conditions.				X	
Blade Brake	Check stopping time every 50 hours or at start of each mowing season. Blade must stop within three seconds of releasing bail; if not see your Authorized Toro Service Dealer for repair.				X	
Fuel System	Check for leakage and/or deterioration of fuel hose. Replace if necessary.				X	
Spark Plug	Inspect and clean. Replace if necessary.					X
Cooling System	Clean grass, clippings, debris or dirt that may clog engine air cooling fins and starter. Clean more frequently if operated under dirty or high chaff conditions.					X

CAUTION

POTENTIAL HAZARD

- If you leave the wire on the spark plug, someone could start the engine.

WHAT CAN HAPPEN

- Accidental starting of engine could seriously injure you or other bystanders.

HOW TO AVOID THE HAZARD

- Pull wire off spark plug before you do any maintenance. Also push wire aside so it does not accidentally contact spark plug.

Air Filter (Fig. 14)

Replace air filter once every season or every 25 hours; replace more frequently under dusty conditions.

IMPORTANT: Do not operate engine without air filter element; extreme engine wear or damage will occur.

Note: Tipping mower on wrong side to service underside of mower may cause damage to air filter.

1. Stop engine and pull wire off spark plug (Fig. 7). Remove key from switch on electric start model.
2. Remove screw securing air cleaner cover to engine. Tilt cover down and clean thoroughly.
3. Remove paper air filter and discard.
4. Insert a new paper air cleaner filter.

IMPORTANT: Do not try to vacuum or blow dirt out of a dirty paper filter. Always replace a dirty filter with a new one.

5. Reinstall air cleaner cover and secure with screw.

Drain Gasoline

1. Stop engine and wait for engine to cool. Pull wire off spark plug (Fig. 7). Remove key from switch on electric start model.

IMPORTANT: Drain gasoline from a cold engine only.

2. Remove cap from fuel tank and use pump-type syphon to drain fuel into clean gas can.

Note: This is the only procedure recommended for draining fuel.

Change Engine Oil

Change engine oil after first 2 hours of operation and after 25 hours of operation thereafter. Change oil while engine is warm.

WARNING

POTENTIAL HAZARD

- Tipping mower may cause fuel leakage from carburetor or fuel tank.

WHAT CAN HAPPEN

- Gasoline is extremely flammable, highly explosive and under certain conditions can cause personal injury or property damage.

HOW TO AVOID THE HAZARD

- Avoid fuel spills by running engine dry or remove gas with hand pump, never siphon.

1. Stop engine and pull wire off spark plug (Fig. 7). Remove key from switch on electric start model.
2. Drain gasoline from fuel tank. See Drain Gasoline section.
3. Tip mower on left side.

4. Drain oil from oil fill tube at dipstick (Fig. 15). Drain oil into appropriate container. Dispose of oil properly. Recycle per local codes.
5. Turn mower upright.
6. Fill crankcase to FULL line on dipstick with fresh oil. See Before Starting chapter, Oil section for specifications.
7. Check oil level and reinstall dipstick.
8. Wipe up any spilled oil.

Spark Plug

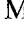
A spark plug that is dirty, pitted, carbon-covered or has worn electrodes may cause hard starting and poor operation.

Replace spark plug once a season or clean every 100 hours, whichever occurs first. Use a Champion RJ19LM spark plug or equivalent.

1. Pull wire off spark plug (Fig. 7). Remove key from switch on electric start model.
2. Remove spark plug and clean with a wire brush, removing carbon build-up. DO NOT SAND BLAST. Check condition of plug for cracks and damaged or worn electrodes. Replace if necessary.
3. Set spark plug gap at .030 inch (.76 mm) (Fig. 16).
4. Install spark plug by hand, then torque to 15 ft.-lbs. (20 N·m) (Fig. 16).
5. Reconnect spark plug wire when maintenance is completed.

Throttle Cable

Throttle control adjustment may be required if engine does not start or stop. Whenever a new throttle control cable is installed, throttle must be adjusted.

1. Stop engine and pull wire off spark plug (Fig. 7). Remove key from switch on electric start model.
2. Remove (2) screws from engine cover and lift off cover (Fig. 17).
3. Loosen cable clamp screw until throttle cable slides (Fig. 18).
4. Move throttle control to  (FAST) position.
5. Tighten cable clamp screw to lock adjustment in place.
6. Reinstall engine cover with (2) screws. Torque screws to 8-10 in.-lbs. (.9-1.1 N·m)

Self-propelled Cable

If mower does not self-propel or has a tendency to creep forward when traction is not engaged, adjust wheel drive control knob on rear of gear box (Fig. 19).

1. Stop engine and pull wire off spark plug (Fig. 7). Remove key from switch on electric start model.
2. Rotate control knob clockwise 1/2 turn if mower does not self-propel. If mower creeps forward, rotate knob 1/2 turn counterclockwise to loosen belt.
3. Slowly pull mower backward while control bar is gradually moved toward handle. Adjustment is correct when:
 - mower does not creep forward when traction is disengaged
 - control bar is at a comfortable operating distance from the handle for operator's hand when disengaging and engaging the self-propelled drive.

Note: Do not overadjust cable. Cable should be just tight enough to make wheels turn when control bar is at a distance from the handle that is comfortable for operator's hand. Overadjusting may require excessive operator effort to engage or disengage self-propelled drive.

If you need help, see your Authorized Toro Service Dealer.

Blade

A straight sharp blade provides maximum cutting performance. Regularly inspect and sharpen blade.

WARNING

POTENTIAL HAZARD

- Blade is sharp.

WHAT CAN HAPPEN

- Contact with sharp blade can cause serious personal injury.

HOW TO AVOID THE HAZARD

- Wear gloves or wrap sharp edges of the blade with a rag.

1. Stop engine and pull wire off spark plug (Fig. 7). Remove key from switch on electric start model.
2. Drain gasoline from fuel tank. See Drain Gasoline section.
3. Tip mower on its left side (Fig. 20).
4. **INSPECTING BLADE**—Carefully examine blade for sharpness and wear, especially where flat and curved parts meet (Fig. 21). Since sand and abrasive material can wear away the metal that connects the flat and curved parts of the blade, check blade before using the mower. If a slot or wear is noticed, (Fig. 21B & C), replace blade. Refer to step 5.
5. **REMOVING BLADE**—Grasp end of blade using a rag or thickly padded glove. Remove blade bolt, lock washer, accelerator, and blade (Fig. 20).

WARNING

POTENTIAL HAZARD

- A worn or damaged blade could break and a piece of blade could be thrown in operator's or bystander's direction.

WHAT CAN HAPPEN

- A thrown piece of blade could cause serious personal injury or death to operator or bystanders.

HOW TO AVOID THE HAZARD

- Inspect blade periodically for wear or damage.
- Replace a worn or damaged blade.

Note: For best performance, install new blade before cutting season begins. During the year, file down small nicks to maintain the cutting edge.

6. **SHARPENING BLADE**—Using a file, sharpen top side of blade (side facing mower housing) and maintain original cutting angle (Fig. 22). The blade will remain balanced if the same amount of material is removed from both cutting edges.

IMPORTANT: Check balance of blade by putting it on a blade balancer. An inexpensive balancer can be purchased at a hardware store. A balanced blade will stay in a horizontal position and an unbalanced blade will settle to the heavy side. If the blade is not balanced, file more metal off cutting edge on heavy end of blade.

7. Install sharp, balanced blade, accelerator, lock washer, and blade bolt. Sail part of blade must point toward top of mower housing to assure correct installation. Tighten the blade bolt to 40-50 ft-lb (54-68 N·m).

WARNING

POTENTIAL HAZARD

- **Operating mower without accelerator in place could cause blade to flex, bend or break.**

WHAT CAN HAPPEN

- **A broken blade could cause serious injury or death to operator or bystanders.**

HOW TO AVOID THE HAZARD

- **Do not operate mower without accelerator.**

Lubrication

After every 25 operating hours or when season ends, front and rear wheels must be lubricated.

1. Apply 2 or 3 drops of light oil on inside and outside of all wheel bolts. Spin wheels to distribute oil into bushings. Wipe up excess oil.

Self-propelled models only

1. Move rear wheel height-of-cut levers to “C” setting. Wipe grease fittings with clean rag. Install grease gun onto fitting and gently apply two or three pumps of #2 Multi-Purpose Lithium Base Grease (Fig. 23).

Blade Brake

Whenever a new blade brake cable assembly is installed, an adjustment is required.

1. Stop engine and pull wire off spark plug (Fig. 7). Remove key from switch on electric start model.
2. **CHECK ADJUSTMENT** (Fig. 24 & 25)—Move control bar toward handle until slack in wire is removed. Gap between brake lever and handle must be 1/8”–3/16”. See step 3 for adjustment.

3. **ADJUST CABLE CONDUIT** (Fig. 24 & 25)—Loosen nut on cable bracket. Insert 1/8”–3/16” object between brake lever and handle. Pull down on cable conduit until all slack is removed from wire. Then tighten nut.

Charging Battery

(electric start model only)

Although a new battery is not fully charged, a partial charge of 4 hours provides enough energy for several starts. However, a new battery must be charged for 72 continuous hours to ensure full charge. Also, charge battery for 72 hours when mower is stored and in the spring. During normal operation, engine alternator keeps battery charged.

1. Stop engine and disconnect wire harness from battery terminal (Fig. 6).
2. If desired, battery can be removed by sliding it out of mounting tabs. However, removal is not required if mower can be positioned near an electrical outlet.
3. Connect TORO electro charger to battery and plug into 120VAC power outlet. After charging battery for specified time, unplug charger and disconnect from battery.
4. Connect wiring harness to battery terminal.

IMPORTANT: Only the TORO electro charger is recommended because other chargers could damage the battery. Always use charger indoors and charge battery at room temperature (+70° F) whenever possible. Do not charge battery longer than 72 hours because damage could result.

Disposing of Battery

(electric start model only)

DO NOT PLACE USED BATTERIES IN YOUR REGULAR TRASH!

THIS SEALED LEAD (ACID) BATTERY MUST BE COLLECTED, RECYCLED OR DISPOSED OF IN AN ENVIRONMENTALLY SOUND MANNER.

The incineration, landfilling or mixing of sealed lead (acid) batteries with the municipal solid waste stream is **PROHIBITED BY LAW** in some areas.

Return this battery to a federal or state approved sealed lead (acid) battery recycler. This may be where you purchased the battery.

Contact your local waste management officials for other information regarding the environmentally sound collection, recycling and disposal of this battery.

Cleaning

Underside of Mower Housing

To ensure best performance, keep underside of mower housing clean. Be especially careful to keep kickers free of debris (Fig. 26).

Washing Method

Whenever the underside of the mower requires cleaning, follow this procedure for washing debris out from underside of deck.

1. Position mower on a flat concrete or asphalt surface near a garden hose.
2. Start the engine.
3. Hold the running garden hose at handle level and direct water to flow on ground just in front of right rear tire (Fig. 27). The rotating blade will draw water under the housing and wash out clippings. Let the water run for a few minutes or until you no longer see clippings being washed out from under housing.
4. Stop the engine.
5. Turn off the garden hose.

6. Restart mower and let it run for a few minutes to dry out moisture on the mower and its components. While the engine is running, engage and disengage the traction drive several times to dry it out.

Scraping Method

If washing does not remove all debris from under deck, tip mower and scrape it clean.

1. Stop engine and pull wire off spark plug (Fig. 7). Remove key from switch on electric start model.
2. Drain gasoline from fuel tank. See Drain Gasoline section.

WARNING

POTENTIAL HAZARD

- Gasoline is extremely flammable, highly explosive and under certain conditions can cause personal injury or property damage.

WHAT CAN HAPPEN

- Tipping mower may cause fuel leakage from carburetor or fuel tank.

HOW TO AVOID THE HAZARD

- Avoid fuel spills by running engine dry or remove gas with hand pump, never siphon.

3. Tip mower on its left side (Fig. 26).
4. Remove dirt and grass clippings with a hardwood scraper. Avoid burrs and sharp edges.
5. Turn mower upright.
6. Refill gas tank.
7. Reconnect spark plug wire.

Belt Cover

(self-propelled models only)

Keep area under belt cover free of debris.

1. Stop the engine.


2. With engine turned off, remove bolts securing belt cover (Fig. 28) to mower housing.
3. Lift off cover and brush out all debris from belt area.
4. Reinstall belt cover.

Storage

To prepare lawn mower for off-season storage perform recommended maintenance procedures. See Maintenance chapter.

Store mower in a cool, clean, dry place. Cover mower to keep it clean and protected.

Fuel

 **WARNING**

POTENTIAL HAZARD

- Gasoline can vaporize if stored over long periods of time.

WHAT CAN HAPPEN

- Vaporized fuel can explode if it comes into contact with open flame.

HOW TO AVOID THE HAZARD

- Do not store gasoline (fuel) over long periods of time.
- Do not store mower with fuel in the tank in an enclosure with an open flame. (Example: furnace or water heater pilot light.)
- Allow the engine to cool before storing in any enclosure.

For long term storage, either drain gasoline from fuel tank or use a fuel additive before storing. To drain gasoline, see Draining Gasoline section. After fuel is drained, start engine and let it idle until all fuel is consumed and engine stops. Repeat the starting procedure two more times to ensure all gas is

removed from the engine. If gasoline is not drained, gum-like varnish deposits will form and cause poor engine operation, even starting problems.

Fuel can be left in gas tank only if a fuel additive, such as Toro's Stabilizer/Conditioner, is added to gasoline before storing. Toro's Stabilizer/Conditioner is a petroleum distillate based conditioner/stabilizer. Toro does not recommend stabilizers with an alcohol base, such as ethanol, methanol or isopropyl. Use fuel additive in recommended quantities as specified on container.

Engine

1. While engine is still warm, drain oil from crankcase. See Maintenance chapter, Change Engine Oil section.
2. Remove spark plug. Using an oil can, squirt about one tablespoon of oil through spark plug hole.
3. Slowly rotate engine several times, using starter rope, to distribute oil.
4. Reinstall spark plug but DO NOT connect spark plug wire.

Cleaning

1. Clean mower. See Maintenance chapter, Cleaning section.
2. Clean dirt and chaff from cylinder, cylinder head fins, and blower housing. Also remove grass clippings, dirt, and grime from external parts of the engine, shrouding, and top of mower housing.
3. Clean air filter. See Maintenance chapter, Air Filter section.

General

1. Check condition of blade. See Maintenance chapter, Blade section.

-
2. Tighten all nuts, bolts, and screws.
 3. Lubricate the wheels. See Maintenance chapter, Lubrication section.
 4. Charge battery. See Maintenance chapter, Charging Battery section.
 5. Touch up all rusted or chipped paint surfaces.

Removing From Storage

1. Check and tighten all fasteners.
2. Remove spark plug and spin engine rapidly using starter to blow excess oil from the cylinder. Clean spark plug or replace if cracked, broken or electrodes are worn.
3. Install spark plug and torque to 15 ft.-lbs. (20 N·m).
4. Perform recommended maintenance procedures. See Maintenance section.
5. Fill fuel tank with fresh, clean gasoline.
6. Check engine oil level.
7. Reconnect spark plug wire.

It is Toro's policy to design and produce high quality products. To ensure customer satisfaction, Toro has extensive warranty coverage on its products. Your TORO GTS Engine powered product has two warranty statements covering it. The Toro Total Coverage Guarantee is our standard warranty statement and is printed on the last page of this manual.

In addition to The Toro Total Coverage Guarantee, we are so confident that the TORO GTS Engine will provide a high level of performance and durability that we are providing a *Starting Guarantee!* Please read the details of this additional warranty coverage printed below.

THE TORO STARTING GUARANTEE

*A Five Year Limited Warranty
On All Toro GTS-5 Engines*

What Is Covered?

The Toro Company guarantees that your TORO GTS-5 Engine will start on the first or second pull for five years from the date of purchase—if you provide the routine maintenance it requires—or we will fix it. The cost of parts and labor are included, but you must pay transportation costs. This covers TORO GTS-5 rotary mower engines.

What Must You Do To Keep The Warranty In Effect?

You must maintain your TORO GTS-5 Engine by following the maintenance schedule detailed in the operator's manual, at your expense. You must record this work in the maintenance chart provided in your owner's manual and keep your proof of purchase.

How Do You Get Service?

If the starting performance of your TORO GTS-5 Engine should diminish to the point where it will not start in one or two pulls by a normal, able-bodied adult, you should follow the procedures below:

1. Contact any Authorized TORO Service Dealer, TORO Master Service Dealer, or TORO Distributor (the Yellow Pages of your telephone directory is a good reference source).
2. He will either instruct you to return the product to him or recommend another Authorized TORO Service outlet which might be more convenient.
3. Bring the product, your maintenance records, and proof of purchase to the Service Dealer.

If, for any reason, you are dissatisfied with the Dealer's analysis of your engine's starting condition, or the assistance provided, please feel free to contact us:

TORO Customer Service Department
8111 Lyndale Avenue South
Minneapolis, Minnesota 55420

What Does This Warranty Not Cover?

This Warranty does not cover:

1. Any repairs on products used commercially.
2. Normal maintenance including replacement of spark plugs, air filter, fuel filter, and carburetor adjustments.
3. Oil change and lubrication.
4. Repairs or adjustments due to:
 - a. Failure to follow proper maintenance procedures;
 - b. Rotary mower blade striking an object;
 - c. Contaminants in the fuel system;
 - d. Improper fuel or fuel mixture (consult your owner's manual if in doubt);
 - e. Failure to drain the fuel system prior to any period of non-use over three months;
 - f. Operation misuse, neglect or accidents;
 - g. Repairs or attempted repairs by anyone other than an Authorized TORO Service Dealer.
5. Special operational conditions where starting may require more than two pulls, including:
 - a. First time starts after extended period of non-use or seasonal storage;
 - b. Cool temperature starts such as those found in early spring and late fall may require an additional pull or two (applies to rotary products only);
 - c. Improper starting procedures. If you are having difficulty starting your unit, please check the operator's manual to ensure you are using the correct starting procedures. This can save an unnecessary visit to a Service Dealer.

All warranty repairs reimbursable under this warranty must be performed by an Authorized TORO Service Dealer using Toro approved replacement parts.

The above remedy through repair by an Authorized TORO Service Dealer is the purchaser's sole remedy.

How Does State Law Relate To This Warranty?

There is no other express warranty except for The Toro Total Coverage Guarantee. All implied warranties of merchantability (that the product is fit for ordinary use) and fitness for use (that the product is fit for a particular purpose) are limited to the duration of the express warranty.

Some states do not allow limitation on how long implied warranties last, so the above exclusion may not apply to you.

The Toro Company is not liable for indirect, incidental or consequential damages in connection with the use of the product, including any cost or expense of providing substitute equipment or service during periods of malfunction or non-use.

Some states do not allow exclusions of incidental or consequential damages, so the above exclusion may not apply to you.

This warranty gives you specific legal rights, and you may also have other rights which vary from state to state.



Walk Mowers

THE TORO PERFORMANCE WARRANTY

A Full Warranty
(Limited Warranty for Commercial Use)

What Is Covered By This Express Warranty?

The Toro Company promises to repair any TORO Product used for normal residential purposes* if defective in materials or workmanship or if it stops functioning due to the failure of a component. The following time periods apply from the date of purchase:

- Super Recycler® Walk Mowers . 5 year full warranty
- All Others 2 year full warranty

The cost of parts and labor is included, but the customer pays the transportation costs.

What Products Are Covered By This Warranty?

This warranty applies to all gasoline powered consumer walk power mowers. Riding products and wide area walk behind mowers are covered by separate warranty statements.

How About Commercial Use?

TORO Consumer Products used for commercial, institutional or rental use are warranted against defects in material or workmanship. Components failing due to normal wear are not covered by this warranty. The following time periods apply from the date of purchase:

Products	Warranty Period
• 21" Commercial Duty Walk Mowers	1 year limited warranty
• All Others	45 day limited warranty

How Do You Get Warranty Service?

Should you feel your TORO Product requires warranty service, contact the dealer who sold you the product or any Authorized TORO Service Dealer or TORO Master Service Dealer. The Yellow Pages of your telephone directory is a good reference source. The dealer will either arrange service at his/her dealership or recommend another Authorized Service Dealer who may be more convenient. You may need proof of purchase (copy of registration card, sales receipt, etc.) for warranty validation.

If for any reason you are dissatisfied with the Service Dealer's analysis of the defect in materials or workmanship or if you need a referral to a TORO Service Dealer, please feel free to contact us at the following address:

Toro Customer Service Department
8111 Lyndale Avenue South
Bloomington, MN 55420-1196
612-888-8801
800-348-2424

What Must You Do To Keep The Warranty In Effect?

You must maintain your TORO Product by following the maintenance procedures described in the operator's manual. Such routine maintenance, whether performed by a dealer or by you, is at your expense.

What Does This Warranty Not Cover? and

How Does Your State Law Relate To This Warranty?

There is no other express warranty except the TORO Starting Guarantee on GTS Engines. This express warranty does not cover:

- Cost of regular maintenance service or parts, such as filters, fuel, lubricants, oil changes, spark plugs, blade sharpening, blade worn out, cable/linkage adjustments or brake and clutch adjustments.
- Any product or part which has been altered or misused or required replacement or repair due to accidents or lack of proper maintenance.
- Repairs necessary due to improper fuel, contaminants in the fuel system, or failure to properly prepare the fuel system prior to any period of non-use over three months.
- Pickup and delivery charges.

All repairs covered by this warranty must be performed by an Authorized TORO Service Dealer using Toro approved replacement parts.

Repair by an Authorized TORO Service Dealer is your sole remedy under this warranty.

The Toro Company is not liable for indirect, incidental or consequential damages in connection with the use of the TORO Products covered by this warranty, including any cost or expense of providing substitute equipment or service during reasonable periods of malfunction or non-use pending completion of repairs under this warranty. Some states do not allow exclusions of incidental or consequential damages, so the above exclusion may not apply to you.

This warranty gives you specific legal rights, and you may also have other rights which vary from state to state.

* Normal residential purposes means mowing the lawn on the same lot as your home. Use at more than one location is considered commercial use and the commercial use warranty would apply.

COUNTRIES OTHER THAN THE UNITED STATES OR CANADA

Customers who have purchased TORO products exported from the United States or Canada should contact their TORO Distributor (Dealer) to obtain guarantee policies for your country, province, or state. If for any reason you are dissatisfied with your Distributor's service or have difficulty obtaining guarantee information, contact the TORO importer. If all other remedies fail, you may contact us at The Toro Company.

Table des matières

	Page		Page
Introduction	2	Entretien	14
Sécurité	3	Programme d'entretien recommandé	14
Consignes de sécurité	3	Filtre à air	15
Décalcomanies de sécurité et instructions ..	6	Vidange de l'essence	15
Assemblage	7	Vidange de l'huile moteur	16
Mancheron	7	Bougie	16
Corde du lanceur	7	Câble de commande des gaz	16
Batterie	7	Câble de commande d'autotraction	17
Avant la mise en marche	7	Lame	17
Huile	7	Lubrification	18
Essence	8	Frein de lame	19
Conseils d'utilisation	9	Charge de la batterie	19
Conseils d'ordre général	9	Mise au rebut de la batterie	19
Fonctionnement	10	Nettoyage	19
Commandes	10	Remisage	20
Démarrage du moteur	10	Carburant	21
Arrêt du moteur	11	Moteur	21
Système d'autopropulsion	11	Nettoyage	21
Traction manuelle en arrière	11	Divers	21
Réglage de la hauteur de coupe	12	Après le remisage	22
		Garantie	23

Introduction

Merci pour votre achat d'un produit Toro.

Chez Toro, notre désir à tous est que vous soyez entièrement satisfait de votre nouveau produit. N'hésitez donc pas à contacter votre concessionnaire agréé local qui tient à votre disposition un service d'entretien et de réparations, des pièces détachées et toute information qui pourrait vous être utile.

Chaque fois que vous contactez votre concessionnaire agréé ou l'usine, tenez à sa disposition les numéros de modèle et de série du produit. Ces numéros aideront le concessionnaire ou le représentant du service après-vente à vous fournir des informations précises pour votre produit particulier. Les numéros de modèle et de série de l'appareil sont indiqués sur une décalcomanie comme illustré à la figure 1.

A titre de référence, notez les numéros de modèle et de série du produit dans l'espace ci-dessous.

No. de modèle :	_____
No. de série :	_____

Lisez attentivement ce manuel pour vous familiariser avec l'utilisation et l'entretien correct de votre produit. La lecture de ce manuel vous aidera, ainsi

que les autres utilisateurs, à éviter des accidents corporels et des dommages au produit. Bien que Toro conçoive, fabrique et commercialise des produits sûrs, à la pointe de la technologie, vous avez la responsabilité de l'utiliser correctement et en toute sécurité. Vous êtes également responsable d'instruire les personnes auxquelles vous permettrez d'utiliser le produit, sur l'usage en toute sécurité.

Les mises en garde de ce manuel identifient les dangers potentiels et comprennent des messages de sécurité spécifiques destinés à vous éviter ainsi qu'à d'autres des blessures ou même la mort. Les mises en garde sont intitulées **DANGER**, **AVERTISSEMENT** et **ATTENTION**, suivant le niveau de danger. Toutefois, quel que soit ce niveau, soyez extrêmement prudent.


DANGER signale un risque extrême de blessures ou de mort si les précautions recommandées ne sont pas respectées.

AVERTISSEMENT signale un risque de blessures ou de mort si les précautions recommandées ne sont pas respectées.

ATTENTION signale un risque de blessures légères ou modérées si les précautions recommandées ne sont pas respectées.

Deux autres termes sont également utilisés pour signaler des messages d'informations essentielles : "Important", pour attirer l'attention sur des informations mécaniques spécifiques, et "Remarque", pour des informations d'ordre général méritant une attention particulière.

Sécurité

Cette machine satisfait ou excède les normes CPSC relatives à la sécurité de la lame pour les tondeuses rotatives guidées par l'arrière, ainsi que les spécifications B71.1 de l'American National Standard Institute en vigueur au moment de la production. Toutefois, un usage ou un entretien incorrect de la part de l'utilisateur ou du propriétaire peut résulter en un accident. Pour réduire les risques d'accident, respecter les présentes règles de sécurité et les mises en garde pour la sécurité personnelle intitulées **ATTENTION, AVERTISSEMENT OU DANGER**, accompagnées du symbole de sécurité . Tout manquement à se conformer à ces directives peut résulter en un accident.

Consignes de sécurité

Ce produit est capable d'amputer les mains et les pieds et de projeter des objets. Toujours respecter toutes les mesures de sécurité pour éviter des blessures graves ou la mort.



ATTENTION

DANGER POTENTIEL

- L'échappement du moteur contient du monoxyde de carbone, un gaz inodore mortellement dangereux.

QUELS SONT LES RISQUES?

- Le monoxyde de carbone entraîne la mort par asphyxie. Il peut aussi provoquer des malformations congénitales.

COMMENT SE PROTÉGER?

- Ne pas faire tourner le moteur à l'intérieur ou dans un endroit clos.

Votre tondeuse est destinée à la tonte de l'herbe, avec dispersion de l'herbe hachée menu ou récupération dans un sac à herbe. Toute utilisation à d'autres fins peut être dangereuses pour l'utilisateur ou les personnes à proximité.

Remarque: L'échappement du moteur n'est PAS équipé d'un pare-étincelle. L'utilisation sur des terrains boisés, broussailleux ou à l'abandon peut être interdite dans certains pays et régions à risque d'incendie.

Recommandations générales

1. Lire attentivement ce manuel avant d'utiliser la tondeuse. Se familiariser avec les commandes et l'usage correct. Ne jamais laisser les enfants de moins de 16 ans utiliser la tondeuse. Ne jamais laisser des adultes utiliser la tondeuse sans instructions adéquates.
2. L'opérateur de la tondeuse a la responsabilité de veiller à tenir tout le monde, en particulier les enfants et les animaux domestiques, à l'écart de la zone de tonte. Il sera tenu responsable des accidents ou dangers infligés à d'autres personnes ou à leurs biens.
3. Inspecter soigneusement l'endroit où la tondeuse doit être utilisée et le débarrasser des branches, pierres, fils de fer et autres débris. Pendant la tonte, se montrer vigilant pour le cas où des objets étrangers seraient dissimulés par la pelouse.
4. Porter des pantalons longs et des chaussures robustes. Ne pas utiliser la tondeuse en sandales, pieds nus, avec des bijoux ou des vêtements amples.
5. Contrôler le niveau de carburant avant de démarrer le moteur. Le carburant est très inflammable et doit être manipulé avec prudence.
 - A. Conserver le carburant dans un récipient agréé à cet effet.

- B. Remplir le réservoir de carburant à l'extérieur, jamais à l'intérieur. **NE JAMAIS AJOUTER DE L'ESSENCE LORSQUE LE MOTEUR TOURNE OU QU'IL EST CHAUD.**
 - C. Reboucher le bidon d'essence et le réservoir, et éponger l'essence éventuellement répandue avant de démarrer le moteur.
 - D. Ne pas fumer lorsqu'on ajoute du carburant.
6. Veiller à ce que toutes les gardes, écrans, ramasse-herbes et dispositifs de sécurité soient en place. Réparer ou remplacer les pièces endommagées, y compris les décalcomanies. Vérifier tous les dispositifs de sécurité avant chaque usage.
 7. Avant d'utiliser la tondeuse, toujours vérifier si les lames, boulons de lame et ensembles de coupe ne sont pas usés ou endommagés. Remplacer les boulons et les lames usées ou endommagées par paires pour ne pas modifier l'équilibre.
 8. La traction (modèle autotracté), la lame et le moteur doivent s'arrêter lorsqu'on lâche la barre de commande. Contrôler le bon fonctionnement des commandes et du frein avant chaque utilisation de la tondeuse.
 9. Débrayer la traction (modèle autotracté) avant de démarrer le moteur.
 4. Tondre perpendiculairement à la pente, jamais vers le haut ou le bas. Procéder avec une extrême prudence lors d'un changement de direction sur une pente. Ne pas utiliser la tondeuse sur des pentes trop fortes. Sur les pentes, porter des chaussures antidérapantes.
 5. Porter des lunettes ou une protection oculaire lors de toute utilisation de la tondeuse, pour se protéger en cas de projection de débris par la tondeuse.
 6. Ne pas approcher le visage, les mains ou les pieds du carter de tondeuse et de la lame tant que le moteur tourne. La lame peut causer des blessures aux mains et aux pieds. Rester derrière le mancheron jusqu'à ce que le moteur s'arrête.
 7. Etre très prudent lorsqu'on travaille en marche arrière ou qu'on tire la tondeuse vers soi.
 8. Etant donné que la lame tourne encore pendant quelques secondes lorsqu'on lâche la barre de commande, rester derrière le mancheron jusqu'à ce que le moteur soit arrêté.
 9. Après avoir heurté un corps étranger ou si la tondeuse vibre de façon anormale, arrêter le moteur et débrancher le fil de la bougie. Vérifier si la tondeuse n'est pas endommagée et effectuer toutes les réparations nécessaires avant de l'utiliser à nouveau. Pour toute réparation importante ou assistance, contacter le concessionnaire réparateur Toro agréé local.
 10. Arrêter le moteur et attendre l'arrêt complet de toutes les pièces mobiles avant de régler la hauteur de coupe.
 11. Débrayer la lame pour pousser la tondeuse hors de la zone de tonte.
 12. Arrêter le moteur avant de quitter la position de commande derrière le mancheron. Débrancher le fil de bougie avant de laisser la tondeuse sans surveillance.
 13. Ne pas toucher au moteur lorsqu'il tourne ou qu'il vient d'être arrêté, en raison du risque de brûlures par les surfaces portées à haute température.

Utilisation

1. Ne pas faire tourner le moteur à l'intérieur.
2. Démarrer le moteur avec précaution suivant les instructions et tenir les pieds à l'écart de la lame.
3. Toujours se tenir bien en équilibre. Tenir fermement le mancheron et marcher; ne jamais courir. Ne jamais utiliser la tondeuse sur de l'herbe humide. Ne tondre que pendant la journée ou sous un éclairage artificiel suffisant.

14. Ne rajouter du carburant que lorsque le moteur est froid.
15. Si la tondeuse doit être soulevée pour le transport, arrêter le moteur et attendre l'arrêt complet de toutes les pièces mobiles.

Entretien

1. Effectuer uniquement les entretiens décrits dans ce manuel. En cas de problèmes, ou si la tondeuse requiert des réparations importantes, s'adresser à un vendeur réparateur TORO agréé.
2. Avant de procéder à tout nettoyage, inspection, réparation ou réglage, arrêter le moteur et débrancher le fil de bougie. Eloigner le fil de la bougie afin d'éviter tout démarrage accidentel.
3. Pour s'assurer que la tondeuse peut être utilisée en toute sécurité, vérifier fréquemment le serrage de tous les boulons, écrous et vis. Vérifier que le boulon de lame est serré à 54-68 N·m (40-50 ft.-lbs).
4. Pour l'entretien de la lame, voir à la section du même nom les procédures de montage et de service.
5. Pour réduire les risques d'incendie, débarrasser le moteur de toute accumulation excessive de graisse, d'herbe, de feuilles et de poussière.
6. Ne pas provoquer un surrégime du moteur en changeant le réglage du régulateur.
7. Laisser le moteur refroidir avant de ranger la tondeuse dans un espace clos. Ne pas entreposer la machine à proximité d'une flamme vive ou dans un endroit où des vapeurs d'essence risquent d'être enflammées par une étincelle.
8. Au moment de sa sortie d'usine, la machine satisfait à toutes les normes de sécurité applicables aux tondeuses rotatives. Pour assurer des performances optimales et conserver la garantie de sécurité de la tondeuse, utiliser exclusivement des pièces et accessoires TORO d'origine. Si l'on utilise des pièces ou accessoires d'autres marques, la tondeuse risque de ne plus répondre aux normes de sécurité, ce qui peut être dangereux.

Décalcomanies de sécurité et instructions



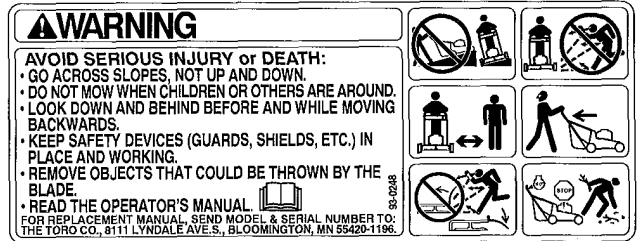
Des décalcomanies et instructions de sécurité bien visibles sont placées près de tous les endroits potentiellement dangereux. Remplacer toute décalcomanie endommagée ou manquante.



SUR LE CARTER DE TONDEUSE
(Réf. 39-5770)

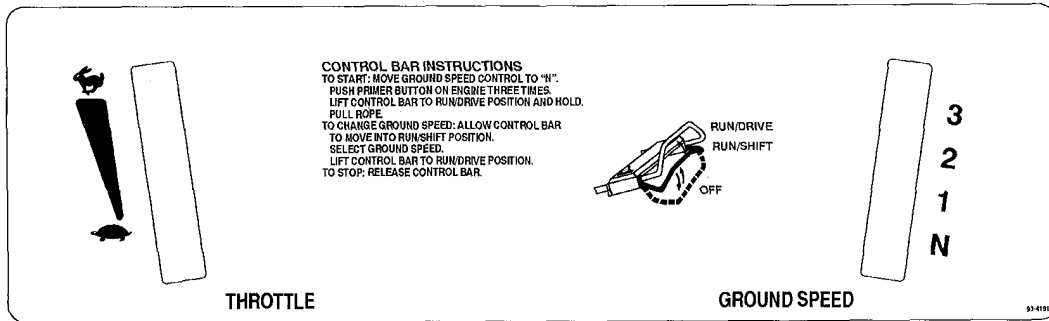


SOUS LE DEFLECTEUR DU CARTER DE TONDEUSE
(Réf. 82-8450)



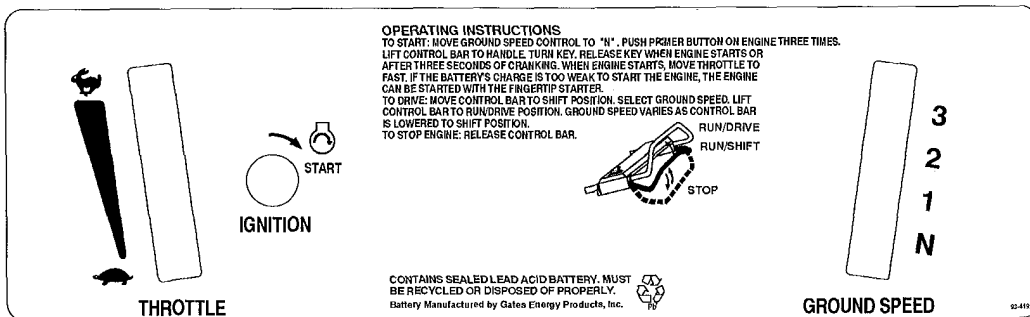
Modèle non tracté uniquement

SUR LE CARTER DE TONDEUSE
(Réf. 93-0248)



Modèle autotracteur uniquement

SUR LA CONSOLE DE COMMANDE
(Réf. 93-4191)



Modèle à démarreur électrique uniquement

SUR LA CONSOLE DE COMMANDE
(Réf. 93-4192)

Assemblage

Remarque: Pour déterminer les côtés droit et gauche de la tondeuse, se placer en position normale de conduite.

Mancheron

1. La tondeuse est expédiée de l'usine avec une cale de protection entre les parties supérieures et inférieures du mancheron pour ne pas les endommager lors du transport ou de l'assemblage. Aligner les parties supérieure et inférieure du mancheron, et extraire la cale avec une pince.
2. Lors de l'expédition d'usine, le bouton de gauche (Fig. 3) est monté du côté extérieur du mancheron. Retirer le bouton de gauche et son boulon, et le remonter du côté intérieur du mancheron (Fig. 4). Les deux boutons doivent se trouver du côté intérieur du mancheron. Serrer les boutons.
3. Ecarter légèrement les pattes de verrouillage vers l'extérieur pour qu'elles ne gênent pas le pivotement du mancheron vers l'arrière en position de conduite (Fig. 4).
4. Pivoter le mancheron vers l'arrière. Ramener les pattes de verrouillage vers l'intérieur, et encliqueter le goujon du mancheron dans le trou du milieu de la patte de verrouillage (Fig. 4). Si une des pattes de verrouillage ne repose pas contre le tube de mancheron, dégager la patte hors du goujon, plier la patte vers l'intérieur et la rattacher au goujon. Répéter l'opération si nécessaire pour fixer étroitement les pattes au mancheron. S'assurer que les boutons du mancheron sont bien serrés.

Remarque: La hauteur du mancheron peut être modifiée en insérant le goujon dans un des autres trous.

5. Contrôler le passage des câbles de commande derrière le mancheron, du côté intérieur. Attacher les câbles au mancheron au moyen de liens (Fig. 4).

Corde du lanceur

1. Passer la corde du lanceur dans le guide placé sur le mancheron (Fig. 5).

Remarque: Pour l'insérer plus facilement, serrer la barre de commande contre la poignée pour libérer le frein de lame.

Batterie

(Modèle à démarreur électrique uniquement)

1. Insérer la batterie, côté étiquette vers le haut, entre les languettes de fixation à l'arrière de la console de commande et raccorder les câbles (Fig. 6).
2. Charger la batterie, voir Charge de la batterie.

Avant la mise en marche

Huile

Remplir le carter d'huile SAE 30 jusqu'à ce que le niveau atteigne le repère FULL (plein) de la jauge. A défaut d'huile SAE 30, on peut utiliser une huile 10W-30. La capacité maximale du carter d'huile est de 600 ml (20 onces). Toutes les huiles détergentes de haute qualité classées SF, SG ou SH (classification API — American Petroleum Institute) sont acceptables.

Avant chaque utilisation, vérifier que le niveau d'huile se trouve entre les repères FULL (plein) et ADD (ajouter) de la jauge à règlette (Fig. 7). Faire l'appoint suivant les besoins.

1. Placer la tondeuse de niveau sur une surface horizontale et nettoyer le pourtour de l'orifice de remplissage. (Fig. 7).
2. Sortir la jauge en dévissant le bouchon d'un quart de tour vers la gauche.
3. Essuyer la réglette de la jauge et la réinsérer dans le goulot de remplissage. Tourner le bouchon d'un quart de tour vers la droite. Retirer à nouveau la jauge et vérifier que le niveau d'huile se trouve entre les repères FULL et ADD (Fig. 7). Si le niveau est insuffisant, ajouter juste assez d'huile pour arriver au niveau du repère FULL. **NE PAS REMPLIR AU-DELA DE CE REPÈRE, SOUS PEINE D'ENDOMMAGER LE MOTEUR LORS DU DÉMARRAGE. VERSER L'HUILE LENTEMENT.**
4. Insérer la jauge dans le goulot de remplissage et verrouiller le bouchon en le vissant d'un quart de tour vers la droite.

Remarque: Vérifier le niveau de l'huile avant chaque utilisation de la tondeuse ou toutes les 5 heures de fonctionnement. Lors de la première utilisation, remplacer l'huile après les 2 premières heures de fonctionnement et par la suite, toutes les 25 heures d'utilisation, ou plus fréquemment si l'on utilise la tondeuse en conditions particulièrement sales ou poussiéreuses.

Essence



DANGER POTENTIEL

- Dans certaines conditions, l'essence est extrêmement inflammable et hautement explosive.

QUELS SONT LES RISQUES?

- Un incendie ou une explosion causés par l'essence peuvent occasionner des brûlures à vous ou à d'autres personnes, ainsi que des dégâts matériels.

COMMENT SE PROTÉGER?

- Utiliser un entonnoir et remplir le réservoir à l'extérieur, dans un endroit dégagé, lorsque le moteur est froid. Essuyer l'essence éventuellement répandue.
- Ne pas remplir le réservoir à ras bords. Le niveau d'essence doit arriver à 6 à 13 mm (1/4 à 1/2 pouce) sous le goulot de remplissage. L'espace au-dessus doit rester vide pour permettre à l'essence de se dilater.
- Ne pas fumer lorsqu'on manipule de l'essence, et se tenir à l'écart de toute flamme nue ou source d'étincelles.
- Conserver l'essence dans un récipient homologué, hors de la portée des enfants.
- Ne jamais acheter une provision d'essence correspondant à une consommation de plus de 30 jours.

Remarque: Ne pas utiliser d'essence conservée d'une saison à l'autre dans un récipient agréé. Toro recommande vivement l'usage d'essence ordinaire **SANS PLOMB** fraîche et propre, dans tous ses produits à moteur à essence. L'essence sans plomb brûle plus proprement, prolonge la vie du moteur et favorise le démarrage en réduisant l'accumulation de dépôts dans la chambre de combustion. Faute

d'essence sans plomb, de l'essence au plomb peut être utilisée.

Toro recommande également l'usage régulier de stabilisateur/conditionneur de carburant Toro dans toutes les machines Toro à moteur à essence, tant en période d'utilisation qu'en période de remisage. Le stabilisateur/conditionneur Toro nettoie le moteur pendant l'utilisation et empêche la formation de dépôts gommeux pendant le remisage.

1. Nettoyer le pourtour de l'orifice de remplissage (Fig. 7) et retirer le bouchon .
2. Remplir le réservoir d'essence sans plomb jusqu'à 6 à 13 mm (1/4 à 1/2 pouce) du haut, sans remplir le goulot de remplissage. Ne pas remplir le réservoir complètement.
3. Replacer le bouchon et essuyer toute essence répandue.

IMPORTANT: NE PAS MÉLANGER D'HUILE À L'ESSENCE. NE JAMAIS UTILISER DE MÉTHANOL, D'ESSENCE CONTENANT DU MÉTHANOL, D'ESSENCE CONTENANT PLUS DE 10% D'ÉTHANOL OU D'ESSENCE MINÉRALE. CES PRODUITS POURRAIENT ENDOMMAGER LE SYSTÈME DE CARBURATION.

NE PAS UTILISER D'AUTRES ADDITIFS DE CARBURANT QUE CEUX DESTINÉS À LA STABILISATION DU CARBURANT DURANT LE REMISAGE, TELS QUE LE STABILISATEUR/CONDITIONNEUR TORO OU UN PRODUIT SIMILAIRE. LE STABILISATEUR/CONDITIONNEUR TORO EST UN PRODUIT A BASE DE DISTILLAT DE PÉTROLE. TORO DÉCONSEILLE L'USAGE DE STABILISATEURS A BASE D'ALCOOLS TELS QUE L'ÉTHANOL, LE MÉTHANOL OU L'ALCOOL ISOPROPYLIQUE. NE PAS UTILISER D'ADDITIFS POUR TENTER D'AUGMENTER LA PUISSANCE OU LES PERFORMANCES DU MOTEUR.

4. Rebrancher le fil de bougie (s'il a été débranché) (Fig. 7).

Conseils d'utilisation

Conseils d'ordre général

Pour la tonte comme pour le hachage de l'herbe et des feuilles, les recommandations ci-dessous permettent d'obtenir un meilleur résultat et un plus bel aspect de la pelouse:

- Maintenir la lame **bien affûtée** tout au long de la saison de tonte. De temps à autre, limer les ébréchures de la lame.
- **N'utiliser la tondeuse que sur de l'herbe ou des feuilles sèches.** L'herbe et les feuilles humides ont tendance à s'agglutiner et peuvent obstruer la tondeuse ou faire caler le moteur. D'autre part, elles sont glissantes et créent un risque de chute pour l'opérateur.

ATTENTION

DANGER POTENTIEL

- **L'herbe et les feuilles mouillées augmentent les risques de glissade et de contact avec la lame.**

QUELS SONT LES RISQUES?

- **Le contact avec la lame peut causer des blessures graves.**

COMMENT SE PROTÉGER?

- **Ne tondre que si l'herbe est sèche.**

- Sélectionner la vitesse supérieure du moteur. La puissance maximum donne les meilleurs résultats.
- Après chaque tonte, débarrasser le dessous de la tondeuse des débris d'herbe et feuilles.
- Conserver le moteur en bon état de marche. Le hachage de l'herbe et des feuilles demande plus de puissance.
- Nettoyer plus fréquemment le filtre à air. Le hachage de l'herbe et des feuilles soulève plus de déchets et poussières susceptibles d'obstruer le filtre à air et de réduire les performances du moteur.

Coupe d'herbe

- L'herbe pousse à une vitesse différente selon les saisons. Pendant les grosses chaleurs, il est en général préférable de régler la hauteur de coupe sur C, D ou E. La hauteur de l'herbe ne doit pas être réduite de plus d'un tiers. Il n'est pas conseillé d'utiliser un réglage inférieur à C, à moins que l'herbe ne soit clairsemée, ou en automne lorsque la pousse commence à ralentir.
- Lorsqu'on remplace la hauteur de coupe habituelle (ex. C, D ou E) par une autre hauteur, la tonte peut sembler inégale ou irrégulière jusqu'à ce que l'herbe s'adapte et retrouve son aspect normal.
- Pour la coupe d'herbe de plus de 18 cm (6 pouces), il peut être préférable de passer une première fois la tondeuse avec le réglage de hauteur de coupe maximum en avançant plus lentement qu'à l'ordinaire, puis de repasser avec un réglage plus bas afin d'obtenir le meilleur aspect possible. Si l'herbe est trop haute et s'agglutine sur la pelouse, elle risque d'obstruer la tondeuse et de faire caler le moteur.
- Alternier le sens des passages de la tondeuse pour mieux disperser les déchets et assurer une fertilisation plus homogène.

Si l'aspect de la pelouse tondue n'est pas satisfaisant, essayer une ou plusieurs des solutions suivantes:

- Affûter la lame.
- Tondre en avançant plus lentement.
- Élever le réglage de hauteur de coupe.
- Couper l'herbe plus fréquemment.
- Faire se chevaucher les passages pour ne tondre qu'une largeur de bande réduite.
- Régler la hauteur des roues avant un cran plus bas que celle des roues arrière (par exemple "C" à l'avant et "D" à l'arrière).

Coupe de feuilles



- Une fois la coupe terminée, s'assurer qu'au moins 50 % de l'herbe apparaît au travers de la couche de feuilles. Pour obtenir ce résultat, il peut être nécessaire de repasser plusieurs fois la tondeuse sur la couche de feuilles.
- Pour une couche de feuilles légère, régler toutes les roues sur la même hauteur de coupe.
- Si la couche de feuilles est épaisse de plus de 12 cm, régler les roues avant un ou deux crans plus haut que les roues arrière pour faciliter le passage des feuilles sous la tondeuse.
- Si les feuilles ne sont pas hachées assez finement pour être cachées dans l'herbe, avancer plus lentement.
- En présence de beaucoup de feuilles de chêne, il peut être bon de chauler la pelouse au printemps. La chaux compense l'acidité des feuilles de chêne.

Fonctionnement

Commandes

La clé de contact (modèle à démarreur électrique), la manette des gaz, la manette de vitesse de traction (modèle autottracté), la barre de commande et la poignée du lanceur se trouvent sur le mancheron supérieur (Fig. 8 & 9).

Démarrage du moteur



1. Connecter le fil d'allumage à la bougie (Fig. 7).
2. **Modèle autottracté uniquement:** Mettre le sélecteur de vitesse de traction au point mort 
3. Régler la manette des gaz sur  (RAPIDE).
4. Appuyer trois (3) fois sur l'amorceur (Fig. 10). **Attendre environ deux (2) secondes entre chaque actionnement.**

Remarque: Ne pas utiliser l'amorceur pour redémarrer un moteur chaud après une courte interruption. L'amorçage peut cependant être nécessaire pour redémarrer par temps froid.

5. Pour démarrer:

- **Démarrage manuel:** Serrer la barre de commande contre le mancheron. Tirer lentement la poignée du lanceur jusqu'à ce qu'on sente une résistance, puis tirer à fond vigoureusement. Laisser la corde revenir lentement vers le mancheron.
- **Démarrage électrique (modèle à démarreur électrique uniquement):** Insérer la clé de contact, la tourner en position DÉMARRAGE et la laisser revenir dès que le moteur a démarré.

Remarque: Si la charge de la batterie est insuffisante pour lancer le moteur, démarrer à l'aide du lanceur.

6. Régler le régime en amenant la manette des gaz à l'endroit voulu entre les positions  (RAPIDE) et  (LENT).

Arrêt du moteur

1. Lâcher la barre de commande. Le moteur, la lame et la traction doivent s'arrêter. S'ils ne s'arrêtent pas, contacter immédiatement le vendeur. Rester derrière le mancheron jusqu'à l'arrêt complet des pièces en mouvement.
2. Débrancher le fil de la bougie si on n'utilise plus la tondeuse ou si on la laisse sans surveillance. Retirer la clé de contact sur les modèles à démarreur électrique.


Système d'autopropulsion

(modèles autottractés seulement)

La tondeuse offre trois vitesses de traction, "1" lente, "2" moyenne, et "3" rapide.

1. Amener la barre de commande en position de MARCHE/EMBAYAGE (RUN/SHIFT) (Fig. 11).
2. Placer le sélecteur de vitesse sur la position désirée.
3. Pour embrayer la traction, serrer la barre de commande contre le mancheron en position MARCHE/TRACTION (RUN/DRIVE) (Fig. 11).

Remarque: Ne pas changer de vitesse quand la barre de commande est en position MARCHE/TRACTION (Fig. 11) sous peine d'endommager la transmission. Laisser la barre de commande descendre en position MARCHE/EMBAYAGE avant de changer la vitesse de traction.

La vitesse de traction peut être modulée en augmentant ou en réduisant la distance entre la barre de commande et le mancheron. Laisser la barre de commande descendre un peu pour ralentir dans les tournants ou si la tondeuse avance trop vite. Si la barre de commande descend trop bas, la tondeuse cesse d'avancer. Pour avancer plus vite, serrer la barre de commande plus près du mancheron. Quand la barre de commande est serrée tout contre le mancheron, la tondeuse avance à la vitesse maximum. Pour tondre autour d'obstacles ou pour quitter la tondeuse un instant, mettre le sélecteur de vitesse au point mort .

Traction manuelle en arrière

(modèles autottractés seulement)

La tondeuse est équipée d'une transmission à roue libre pour faciliter la traction en marche arrière. Avant de tirer la tondeuse vers l'arrière, laisser la barre de commande descendre suffisamment pour débrayer la traction et les roues motrices. Il peut être nécessaire

de pousser la tondeuse de quelques centimètres vers l'avant pour que la traction et les roues soient effectivement débrayées.

Si par exemple on souhaite tirer la tondeuse en l'arrière en arrivant près d'un arbre ou d'un buisson, laisser la barre de commande descendre juste assez pour débrayer la traction lorsque la tondeuse est à environ 15 cm de l'obstacle. L'inertie fait encore avancer la tondeuse d'au moins quelques centimètres, ce qui débraye les roues motrices. La tondeuse peut alors être tirée en arrière sans difficulté.

Le câble d'autotraction doit permettre à la barre de commande de descendre facilement pour arrêter la traction sans arrêter le moteur. Voir les instructions de réglage du câble, au chapitre Entretien. En cas de problème, s'adresser à un concessionnaire officiel Toro.

Réglage de la hauteur de coupe

Le système exclusif SmartWheel™ de Toro permet de déterminer facilement la hauteur de coupe requise.

Le SmartWheel présente deux échelles — SPARSE/NORMAL (clairsemée/normale) et LUSH (drue) — permettant d'assurer la hauteur de coupe optimale quelles que soient les conditions de tonte (Fig. 12). Utiliser l'échelle SPARSE/NORMAL pendant la chaude saison d'été pour la plupart des travaux de tonte. L'échelle LUSH est réservée à la coupe de l'herbe drue, humide et luxuriante que l'on rencontre le plus souvent au printemps.

En général :

- Il est recommandé d'utiliser les réglages C, D ou E et de ne pas laisser la hauteur d'herbe dépasser 5 à 7,5 cm (2 à 3 pouces).
- Il n'est pas conseillé d'utiliser un réglage inférieur à C, à moins que l'herbe ne soit clairsemée ou en automne lorsque la pousse commence à ralentir. Pour tondre l'herbe haute, il peut être nécessaire d'effectuer un premier passage de coupe haute à vitesse réduite, puis un second passage avec un réglage plus proche de la

normale. L'herbe trop longue déposée en paquets sur la pelouse risque d'obstruer la tondeuse et de faire caler le moteur.

- Le système SmartWheel règle la coupe pour ne pas raccourcir l'herbe de plus d'1/3 de sa hauteur.

DANGER

DANGER POTENTIEL

- **Les doigts risquent d'entrer en contact avec la lame en rotation lors du réglage de la hauteur de coupe.**

QUELS SONT LES RISQUES?

- **Le contact avec la lame en rotation peut causer des blessures graves.**

COMMENT SE PROTÉGER?

- **Arrêter le moteur et attendre l'arrêt complet de toutes les pièces mobiles avant de régler la hauteur de coupe.**
- **Ne pas mettre les doigts sous le carter de tondeuse lors du réglage de la hauteur de coupe.**

1. Avant de démarrer le moteur et de commencer à tondre, pousser la tondeuse dans l'herbe jusqu'à ce que l'échelle SmartWheel™ sur la roue arrière gauche soit parfaitement verticale (Fig. 12).
2. Voir jusqu'où l'herbe arrive sur l'échelle SmartWheel (Fig. 12). La couleur/la lettre correspondant au sommet de l'herbe indique le réglage de hauteur de coupe approprié.
3. Serrer le levier de hauteur de coupe contre la roue et l'amener sur la lettre/couleur appropriée du carter de la tondeuse (Fig. 13). Pour faciliter le réglage, soulever le carter de manière à ce que la roue ne touche plus le sol. **Ne jamais placer les doigts sous le carter pour soulever la tondeuse.** Vérifier que l'ergot du levier de hauteur de coupe s'engage dans l'encoche du carter. Régler toutes les roues sur la même hauteur de coupe.

Remarque: Les roues avant peuvent être réglées pour une hauteur de coupe de 1/2 pouce (1,3 cm). Amener le levier de réglage au-delà de la position "A" et laisser l'ergot du

levier s'engager dans l'encoche du carter. Il n'est pas conseillé d'utiliser régulièrement ce réglage.

Entretien

Un fonctionnement fiable et en toute sécurité exige des entretiens réguliers.

Programme d'entretien recommandé

Pièce	Entretien	Après chaque utilisation	5 heures	25 heures	50 heures	100 heures
Carter de tondeuse	Nettoyer les accumulations de déchets d'herbe et de poussière.	X				
Visserie	Vérifier le serrage des boulons et écrous de la lame et du moteur fréquemment. Pour un fonctionnement en toute sécurité, tous les boulons, écrous et vis doivent toujours être bien serrés.		X			
Huile moteur	Vidanger et remplir le carter d'huile après les 2 premières heures de fonctionnement et ensuite, toutes les 25 heures.			X		
Filtre à air	Remplacer à chaque saison de tonte ou toutes les 25 heures. Remplacer plus fréquemment si la tondeuse est utilisée dans un environnement poussiéreux.			X		
Lubrification	Graisser les graisseurs des roues arrière.			X		
Lame	Affûter ou remplacer. Entretenir plus fréquemment si la lame s'émousse rapidement du fait d'une utilisation éprouvante ou de la présence de sable.				X	
Frein de lame	Vérifier le temps d'arrêt toutes les 50 heures ou au début de la saison de tonte. Lorsqu'on lâche la barre de commande, la lame doit s'arrêter dans les 3 secondes. Dans le cas contraire, s'adresser à un concessionnaire réparateur Toro agréé pour la réparation.				X	
Système d'alimentation	Contrôler que le flexible de carburant ne fuit pas et n'est pas endommagé. Le remplacer si nécessaire.				X	

Pièce	Entretien	Après chaque utilisation	5 heures	25 heures	50 heures	100 heures
Bougie	Inspecter et nettoyer. Remplacer si nécessaire.					X
Système de refroidissement	Nettoyer les déchets d'herbe, débris ou saletés accumulés sur les pales du ventilateur et sur le démarreur. Nettoyer plus fréquemment si la tondeuse est utilisée dans un environnement poussiéreux ou sec.					X

! PRUDENCE

DANGER POTENTIEL

- Si le fil de bougie n'est pas débranché, un démarrage du moteur peut survenir accidentellement.

QUELS SONT LES RISQUES?

- Le démarrage accidentel peut causer des blessures graves à vous ou aux personnes se tenant à proximité.

COMMENT SE PROTÉGER?

- Débrancher le fil de bougie avant de procéder à toute opération d'entretien. Ecarter suffisamment le fil pour ne pas risquer un contact fortuit avec la bougie.

Filtre à air (Fig. 14)

Nettoyer le filtre à air à chaque saison ou toutes les 25 heures d'utilisation, plus fréquemment si la tondeuse est utilisée dans un environnement poussiéreux.

IMPORTANT: Ne pas faire tourner le moteur sans le filtre à air, sous peine de l'endommager sérieusement.

Remarque: Le filtre à air peut être endommagé si l'on retourne la tondeuse du mauvais côté pour l'entretien du dessous.

1. Arrêter le moteur et débrancher le fil de la bougie (Fig. 7). Sur les modèles à démarreur électrique, retirer la clé de contact.

2. Dévisser la vis de fermeture du couvercle du filtre à air. Abaisser le couvercle et le nettoyer soigneusement.
3. Retirer le filtre en papier et le jeter.
4. Mettre en place un nouveau filtre en papier.

IMPORTANT: Ne pas tenter de nettoyer le filtre en papier à l'aspirateur ou à l'air comprimé pour le réutiliser. Toujours remplacer le filtre sale par un filtre neuf.

5. Refermer le couvercle du filtre à air et serrer la vis.

Vidange de l'essence

1. Arrêter le moteur et le laisser refroidir. Débrancher le fil de la bougie (Fig. 7). Sur les modèles à démarreur électrique, retirer la clé de contact.

IMPORTANT: Ne vidanger l'essence que lorsque le moteur est froid.

2. Retirer le bouchon du réservoir d'essence et transférer l'essence dans un bidon propre à l'aide d'un siphon à pompe.

Remarque: Cette méthode est la seule recommandée pour la vidange du réservoir de carburant.

Vidange de l'huile moteur

Changer l'huile après les 2 premières heures d'utilisation et par la suite, toutes les 25 heures. Faire la vidange d'huile lorsque le moteur est encore chaud.



ATTENTION

DANGER POTENTIEL

- **Lorsqu'on retourne la tondeuse, l'essence risque de fuir du réservoir ou du carburateur.**

QUELS SONT LES RISQUES?

- **L'essence est extrêmement inflammable et hautement explosive, et peut dans certaines circonstances causer des dommages corporels ou matériels graves.**

COMMENT SE PROTÉGER?

- **Pour éviter les fuites, laisser le moteur consommer toute l'essence, ou vider le réservoir à l'aide d'une pompe à main. Ne jamais siphonner à la bouche.**

1. Arrêter le moteur et débrancher le fil de la bougie (Fig. 7). Sur les modèles à démarreur électrique, retirer la clé de contact.
2. Vider le réservoir d'essence, voir Vidange du réservoir d'essence.
3. Basculer la tondeuse sur le côté gauche.
4. Vidanger l'huile par le trou de remplissage de la jauge (Fig. 15). Recueillir l'huile dans un récipient approprié et s'en débarrasser correctement, selon la réglementation en vigueur.

5. Redresser la tondeuse.
6. Remplir le carter d'huile fraîche jusqu'au repère du plein (FULL) de la jauge. Utiliser l'huile spécifiée à la section Huile du chapitre Avant la mise en marche.
7. Vérifier le niveau d'huile et replacer la jauge.
8. Essuyer toute huile répandue.

Bougie

Une bougie encrassée, ébréchée, calaminée ou dont les électrodes sont usées peut occasionner des problèmes de démarrage et nuire au fonctionnement.


Remplacer la bougie ou la nettoyer au début de la saison, puis toutes les 100 heures d'utilisation. Utiliser une bougie Champion RJ19LM ou équivalente.

1. Débrancher le fil de la bougie (Fig. 7). Sur les modèles à démarreur électrique, retirer la clé de contact.
2. Retirer la bougie et la nettoyer à l'aide d'une brosse métallique pour la débarrasser des dépôts de calamine. **NE PAS DÉCAPER AU SABLE.** Contrôler si la bougie n'est pas fissurée et si les électrodes ne sont pas usées ou endommagées. Remplacer si nécessaire.
3. Régler l'écartement des électrodes à 0,76 mm (0,030 po.) (Fig. 16).
4. Monter la bougie à la main, puis la visser à 15 ft.-lbs. (20 N·m) (Fig. 16).
5. Une fois l'entretien terminé, rebrancher le fil de bougie.

Câble de commande des gaz

Un réglage de la commande des gaz peut être nécessaire si le moteur ne démarre ou ne s'arrête pas. La commande des gaz doit être réglée chaque fois qu'on remplace le câble.

1. Arrêter le moteur et débrancher le fil de la bougie (Fig. 7). Sur les modèles à démarreur électrique, retirer la clé de contact.

2. Retirer les 2 vis du capot moteur et déposer le capot (Fig. 17).
3. Desserrer la vis du serre-câble jusqu'à ce que le câble glisse librement (Fig. 18).
4. Pousser la commande des gaz jusqu'à la position  (RAPIDE).
5. Serrer la vis du serre-câble pour bloquer le réglage.
6. Remonter le capot moteur. Serrer les 2 vis à 8-10 in.-lbs. (0,9 à 1,1 N·m)

Câble de commande d'autotraction

Si la tondeuse ne s'autotrace pas, ou si elle a tendance à avancer doucement alors que la traction n'est pas engagée, ajuster le bouton de réglage de traction situé à l'arrière de la boîte de vitesse (Fig. 19).

1. Arrêter le moteur et débrancher le fil de la bougie (Fig. 7). Sur les modèles à démarreur électrique, retirer la clé de contact.
2. Si le système de traction ne fonctionne pas, tourner le bouton de réglage de 1/2 tour vers la droite. Si la tondeuse a tendance à avancer lorsque la traction n'est pas engagée, tourner le bouton de 1/2 tour vers la gauche pour détendre la courroie.
3. Tirer lentement la tondeuse en arrière en rapprochant la barre de commande progressivement du mancheron. Le réglage est correct si:
 - la tondeuse n'avance pas lorsque la traction est débrayée.
 - la barre de commande est à une distance du mancheron confortable pour la main de l'utilisateur au point d'embrayage/débrayage de la traction.

Remarque: Ne pas trop tendre le câble. La tension du câble doit être juste suffisante pour que les roues se mettent à tourner lorsque la barre de commande est éloignée du mancheron d'une distance confortable pour la main de l'utilisateur. Un serrage excessif peut exiger un effort trop important de l'utilisateur pour embrayer ou débrayer la traction.

En cas de problème, s'adresser à un vendeur réparateur Toro agréé.

Lame

Pour de bons résultats, la lame doit être droite et tranchante. Inspecter et affûter la lame régulièrement.

ATTENTION

DANGER POTENTIEL

- La lame est tranchante.

QUELS SONT LES RISQUES?

- Le contact avec la lame peut causer des blessures graves.

COMMENT SE PROTÉGER?

- Porter des gants ou envelopper la lame d'un chiffon.

1. Arrêter le moteur et débrancher le fil de la bougie (Fig. 7). Sur les modèles à démarreur électrique, retirer la clé de contact.
2. Vider le réservoir d'essence, voir Vidange du réservoir d'essence.
3. Basculer la tondeuse sur le côté gauche (Fig. 20).
4. INSPECTION DE LA LAME—Vérifier soigneusement l'affûtage et l'usure de la lame, surtout au point de rencontre des parties planes et incurvées (Fig. 21A). Le sable et les matières abrasives peuvent éroder le métal entre les parties planes et incurvées de la lame, il est donc

important de contrôler l'état de la lame avant d'utiliser la tondeuse. Remplacer la lame si elle est usée ou entaillée (Fig. 21B & C). Voir le point 5.

5. DÉPOSE DE LA LAME—Tenir la lame à son extrémité avec un chiffon ou un gant épais. Retirer le boulon de lame, la rondelle de blocage, l'accélérateur et la lame (Fig. 20).

ATTENTION

DANGER POTENTIEL

- Une lame usée ou endommagée risque de se rompre en projetant le morceau cassé vers l'utilisateur ou les personnes à proximité.

QUELS SONT LES RISQUES?

- Un morceau de lame projeté avec force peut infliger des blessures graves, voire mortelles, à l'utilisateur ou aux personnes à proximité.

COMMENT SE PROTÉGER?

- Vérifier régulièrement si la lame n'est pas usée ou endommagée.
- Remplacer la lame si elle est usée ou endommagée.

Remarque: Pour un meilleur résultat, monter une nouvelle lame au début de la saison de tonte. En cours de saison, limer les petites ébréchures pour conserver une arête de coupe tranchante.

6. AIGUISAGE DE LA LAME—Au moyen d'une lime, aiguiser le bord supérieur de la lame (face tournée vers le carter de tondeuse) en veillant à conserver l'angle de coupe original (Fig. 22). Limer la même quantité de métal sur chaque arête de coupe pour conserver l'équilibre de la lame.

IMPORTANT: Vérifier l'équilibre de la lame en la plaçant sur un équilibreur (un dispositif peu coûteux vendu en quincaillerie). Une lame équilibrée reste horizontale, une lame

déséquilibrée penche du côté le plus lourd. Si la lame n'est pas équilibrée, limer davantage le tranchant du côté le plus lourd.

7. Remonter la lame affûtée et équilibrée, l'accélérateur, la rondelle de blocage et le boulon de lame. La pale de la lame doit être dirigée vers le haut du carter de la tondeuse. Serrer le boulon de lame à 40-50 ft-lb (54-68 N·m).

ATTENTION

DANGER POTENTIEL

- Lors de toute utilisation de la tondeuse, l'accélérateur de lame doit être en place, sans quoi la lame risque de plier, fléchir ou casser.

QUELS SONT LES RISQUES?

- Une lame cassée peut infliger des blessures graves, voire mortelles, à l'utilisateur ou aux personnes à proximité.

COMMENT SE PROTÉGER?

- Ne jamais utiliser une tondeuse sans l'accélérateur de lame.

Lubrification

Les roues avant et arrière doivent être lubrifiées toutes les 25 heures de fonctionnement, et à la fin de la saison.

1. Appliquer 2 ou 3 gouttes d'huile légère sur l'intérieur et l'extérieur de tous les boulons des roues. Faire tourner les roues pour bien répartir l'huile dans les coussinets. Essuyer l'excès d'huile.

modèles autotractés seulement

1. Placer les leviers de réglage de hauteur de coupe des roues arrière en position "C". Essuyer les graisseurs à l'aide d'un chiffon propre. Appliquer un pistolet graisseur rempli de graisse multi-usage au lithium No. 2 sur le graisseur et pomper doucement 2 ou 3 fois (Fig. 23).

Frein de lame

Un réglage est nécessaire chaque fois qu'on remplace le câble de frein de lame.

1. Arrêter le moteur et débrancher le fil de la bougie (Fig. 7). Sur les modèles à démarreur électrique, retirer la clé de contact.
2. **CONTRÔLE DU RÉGLAGE** (Fig. 24 & 25)—Rapprocher la barre de commande du mancheron jusqu'à ce qu'il n'y ait plus de mou dans le câble. L'écartement entre le levier de frein et le mancheron doit être alors de 3 à 5 mm (1/8"-3/16"). Pour le réglage, voir point 3.
3. **RÉGLAGE DE LA GAÎNE DU CÂBLE** (Fig. 24 & 25)—Desserrer l'écrou du support de câble. Insérer une cale de 3 à 5 mm d'épaisseur (1/8"-3/16") entre le levier de frein et le mancheron. Tirer la gaine du câble vers le bas jusqu'à ce qu'il n'y ait plus de mou dans le câble, puis resserrer l'écrou.

Charge de la batterie

(Modèle à démarreur électrique uniquement)

Bien qu'une batterie neuve ne soit pas complètement chargée, une charge partielle de 4 heures fournit suffisamment d'énergie pour plusieurs démarrages. Toutefois, pour être en pleine charge, une batterie neuve doit être chargée pendant 72 heures. La tondeuse doit également être chargée pendant 72 heures lors du remisage, et au printemps. En conditions normales d'utilisation, la charge de la batterie est assurée par l'alternateur du moteur.

1. Arrêter le moteur et débrancher le faisceau de câbles de la batterie (Fig. 6).
2. Au besoin, la batterie peut être retirée en la faisant glisser hors des languettes de fixation. Ceci n'est toutefois pas nécessaire si la tondeuse peut être amenée à proximité d'une prise de courant.

3. Connecter le chargeur TORO à la batterie, et le brancher dans une prise de 220 VAC. Après avoir chargé la batterie pendant la durée spécifiée, débrancher le chargeur et le déconnecter de la batterie.
4. Reconnecter le faisceau de câbles à la batterie.

IMPORTANT: Seul le chargeur électrique TORO est recommandé, l'utilisation d'un autre appareil risque d'endommager la batterie. Toujours utiliser le chargeur à l'intérieur, si possible à température ambiante (+70° F). Ne pas charger la batterie pendant plus de 72 heures afin d'éviter de l'endommager.

Mise au rebut de la batterie

(Modèle à démarreur électrique uniquement)

NE PAS JETER LES BATTERIES A LA POUBELLE!

LA BATTERIE AU PLOMB (ACIDE) DOIT ETRE RECUPEREE, RECYCLEE OU MISE AU REBUT SANS DANGER POUR L'ENVIRONNEMENT.

L'incinération des batteries au plomb (acides), leur dépôt dans une décharge ou leur enlèvement avec les ordures ménagères sont INTERDITS PAR LA LOI dans la plupart des pays.

Déposer la batterie dans un point de collecte agréé pour les batteries au plomb (acides), par exemple à l'endroit de l'achat de la batterie.

Pour plus de précisions sur la mise au rebut, la collecte et le recyclage de la batterie, s'adresser aux services municipaux responsables des déchets et de l'environnement.

Nettoyage

Dessous de la tondeuse

Pour une performance optimale, le dessous de la tondeuse doit rester propre. Veiller particulièrement à débarrasser les déflecteurs de tout débris (Fig. 26).

Nettoyage au jet d'eau

Quand le dessous de la tondeuse a besoin d'un nettoyage, le nettoyer à l'eau de la manière suivante:

1. Placer la tondeuse sur une surface horizontale de béton ou d'asphalte, près d'un tuyau d'arrosage.
2. Démarrer le moteur.
3. Tenir le tuyau d'arrosage à la hauteur du mancheron et diriger le jet vers le sol, juste devant la roue arrière droite (Fig. 27). La rotation de la lame aspire l'eau sous la tondeuse et rince les déchets. Laisser couler l'eau quelques minutes, ou jusqu'à ce que l'eau qui s'écoule de la tondeuse ne contienne plus d'herbe.
4. Arrêter le moteur.
5. Arrêter le jet d'eau.
6. Redémarrer le moteur et le laisser tourner quelques minutes pour faire sécher la tondeuse et ses composants. Pendant que le moteur tourne, engager et déengager plusieurs fois l'entraînement de traction pour le sécher.

Raclage

Si le lavage au jet d'eau ne parvient pas à débarrasser le dessous de la tondeuse de tous les débris, renverser la tondeuse et la nettoyer en la raclant.

1. Arrêter le moteur et débrancher le fil de la bougie (Fig. 7). Sur les modèles à démarreur électrique, retirer la clé de contact.
2. Vider le réservoir d'essence, voir Vidange du réservoir d'essence.



ATTENTION

DANGER POTENTIEL

- L'essence est extrêmement inflammable et hautement explosive, et peut dans certaines circonstances causer des dommages corporels ou matériels graves.

QUELS SONT LES RISQUES?

- Lorsqu'on retourne la tondeuse, l'essence risque de fuir du réservoir ou du carburateur.

COMMENT SE PROTÉGER?

- Pour éviter les fuites, laisser le moteur consommer toute l'essence, ou vider le réservoir à l'aide d'une pompe à main. Ne jamais siphonner à la bouche.

3. Basculer la tondeuse sur le côté gauche (Fig. 26).
4. Éliminer la saleté et les débris d'herbe collés au carter de la tondeuse à l'aide d'un racloir en bois. Éviter les bavures et les bords tranchants.
5. Redresser la tondeuse.
6. Refaire le plein de carburant.
7. Reconnecter le fil d'allumage à la bougie.

Carter de courroie

(modèles autottractés seulement)

La zone sous le carter de courroie doit rester propre.

1. Arrêter le moteur.
2. Le moteur étant coupé, retirer les vis de fixation du carter de courroie (Fig. 28) au carter de tondeuse.
3. Déposer le carter de courroie et brosser tous les débris accumulés dans la zone de la courroie.
4. Remonter le carter de courroie.

Remisage

Pour préparer la tondeuse au remisage saisonnier, suivre les procédures d'entretien recommandées. Voir section Entretien.

Ranger la tondeuse dans un endroit propre et sec, et la couvrir pour la protéger.

Carburant



ATTENTION

DANGER POTENTIEL

- L'essence peut s'évaporer si on la conserve trop longtemps.

QUELS SONT LES RISQUES?

- Les vapeurs de carburant risquent d'exploser si elles rencontrent une flamme nue.

COMMENT SE PROTÉGER?

- Ne pas conserver l'essence (le carburant) trop longtemps.
- Ne pas entreposer la tondeuse avec du carburant dans le réservoir dans un local clos où se trouve une flamme nue (telle que la veilleuse d'un chauffe-eau ou d'une chaudière, par exemple).
- Laisser le moteur refroidir avant de rentrer la tondeuse dans un endroit clos.

Pour le remisage de longue durée, soit vidanger le réservoir de carburant, soit utiliser un additif stabilisateur d'essence. Pour la vidange du réservoir, voir la section Vidange du carburant. Une fois l'essence vidangée, démarrer le moteur et le laisser tourner jusqu'à ce qu'il s'arrête, faute de carburant. Répéter la procédure de démarrage à deux reprises afin de s'assurer qu'il ne reste plus d'essence dans le moteur. S'il reste de l'essence, des dépôts de vernis gommeux risquent de se former et d'affecter les performances du moteur ou même d'entraîner des problèmes de démarrage.

Le carburant ne peut être laissé dans le réservoir que si on y ajoute un additif tel que le stabilisateur/conditionneur Toro avant le remisage. Le stabilisateur/conditionneur Toro est un produit à base de distillat de pétrole. Toro déconseille l'utilisation de stabilisateurs à base d'alcools tels que l'éthanol, le

méthanol ou l'alcool isopropylique. Utiliser la quantité de stabilisateur recommandée sur le récipient du produit.

Moteur

1. Vidanger l'huile du carter lorsque le moteur est encore chaud. Voir la section Vidange d'huile du chapitre Entretien.
2. Retirer la bougie. Au moyen d'une burette, injecter environ une cuiller à soupe d'huile dans l'ouverture laissée par la bougie.
3. A l'aide de la corde du lanceur, imprimer lentement plusieurs tours au moteur pour répartir l'huile.
4. Remonter la bougie, mais NE PAS reconnecter le fil de bougie.

Nettoyage

1. Nettoyer la tondeuse. Voir chapitre Entretien, section Nettoyage.
2. Retirer la saleté et la paille du cylindre, des ailettes de refroidissement et du boîtier du ventilateur. Nettoyer aussi les débris d'herbe, la saleté et la crasse des surfaces externes du moteur, du capot et du dessus du carter de la tondeuse.
3. Nettoyer le filtre à air. Voir chapitre Entretien, section Filtre à air.

Divers

1. Contrôler l'état de la lame. Voir chapitre Entretien, section Lame.
2. Serrer tous les écrous, boulons et vis.
3. Lubrifier les roues. Voir chapitre Entretien, section Lubrification.
4. Charger la batterie. Voir chapitre Entretien, section Charge de la batterie.

-
5. Retoucher toutes les surfaces rouillées ou éraflées.

Après le remisage

1. Contrôler et resserrer tous les écrous, boulons et vis.
2. Déposer la bougie et faire tourner rapidement le moteur au moyen du lanceur pour évacuer l'excès d'huile du cylindre. Nettoyer la bougie ou la remplacer si elle est endommagée ou si les électrodes sont usées.
3. Monter la bougie et la visser à 15 ft.-lbs. (20 N·m).
4. Suivre les procédures d'entretien recommandées. Voir section Entretien.
5. Remplir le réservoir de carburant avec de l'essence propre et fraîche.
6. Contrôler le niveau d'huile du moteur.
7. Reconnecter le fil de la bougie.

La politique de Toro est de concevoir et de fabriquer des produits de haute qualité. Pour assurer la satisfaction de ses clients, Toro offre une garantie extensive pour tous ses produits. Votre machine TORO à moteur GTS est livrée avec deux déclarations de garantie. La Garantie Toro Couverture Totale est notre garantie standard, imprimée sur la dernière page de ce manuel.

Outre cette Garantie Toro Couverture Totale, nous avons une telle confiance dans le niveau de performance et la durabilité du moteur TORO GTS que nous offrons une *Garantie de démarrage!* Voir ci-dessous pour les détails concernant cette garantie supplémentaire.

LA GARANTIE DEMARRAGE DE TORO

Garantie limitée de cinq ans sur le moteur Toro GTS 150 OHV

Ce qui est couvert

The Toro Company garantit, pour une période de cinq ans à compter de la date d'achat et sous réserve qu'il soit soumis aux entretiens de routine requis, que votre moteur TORO GTS 150 démarrera à la première ou seconde tentative, ou que nous le réparerons. Les coûts des pièces et main-d'oeuvre sont inclus. Toutefois, les frais de transport servent à votre charge. Cette garantie couvre tous les moteurs TORO GTS 150 vendus après le 1er septembre 1991.

Ce que vous devez faire pour que la garantie reste valide

Votre moteur TORO GTS 150 doit être entretenu conformément au programme d'entretien détaillé du manuel de l'utilisateur, à vos propres frais. Vous devrez noter toutes les opérations d'entretien sur le carnet de maintenance fourni et conserver votre preuve d'achat. Votre moteur devra également être confié à un réparateur TORO agréé pour la révision annuelle.

Comment obtenir le service?

Si les qualités de démarrage de votre moteur TORO GTS 150 diminuent au point qu'il ne démarre plus après une ou deux tentatives de lancement par un adulte en bonne forme physique, prenez les mesures suivantes:

1. Contactez un réparateur TORO agréé ou votre distributeur TORO.
2. Celui-ci vous demandera soit de lui retourner le produit, soit, si cela est plus comode, vous référera à un autre centre de dépannage TORO.
3. Emmenez le produit, accompagné de votre carnet de maintenance et preuve d'achat, chez le réparateur.

Si, pour une raison quelconque, vous n'êtes pas satisfait du diagnostic du réparateur quant au démarrage de votre moteur ou du service fourni, contactez votre distributeur TORO.

TORO Customer Service Department
8111 Lyndale Avenue South
Minneapolis, Minnesota 55420

Ce qui n'est pas couvert par la garantie

Cette garantie ne couvre pas:

1. Les réparations sur des articles utilisés à des fins commerciales.
2. Les opérations normales d'entretien telles que le remplacement des bougies, du filtre à air et les réglages du carburateur.
3. Les vidanges d'huile et les graissages.
4. Les réparations ou réglages dus:
 - a. au non respect des directives pour les opérations d'entretien;
 - b. à des dommages survenus parce que la lame a heurté un objet;
 - c. à la présence de contaminants dans le système de carburation;
 - d. à l'usage d'un carburant ou d'un mélange inadéquat (en cas de doute, consultez le manuel de l'utilisateur);
 - e. au manquement à se conformer aux procédures d'entreposage contenues dans le manuel de l'opérateur;
 - f. à un usage abusif, à la négligence ou à un accident;
 - g. à des réparations ou des tentatives de réparation par toute autre personne qu'un réparateur TORO agréé.
5. A des conditions d'utilisation particulières où le démarrage nécessite plus d'une ou deux tentatives de lancement:
 - a. les quelques premiers démarrages après une longue période de non utilisation ou d'entreposage saisonnier;
 - b. le démarrage par temps froid, par exemple au début du printemps ou à la fin de l'automne peut requérir plus d'une ou deux tentatives de lancement (modèles rotatifs seulement);
 - c. une procédure de démarrage inadéquate. Si vous avez des difficultés à faire démarrer votre moteur, assurez-vous que vous procédez bien conformément aux instructions du manuel de l'utilisateur, ce qui peut vous épargner une visite à votre concessionnaire.

Toutes les réparations sous garantie remboursables aux termes de cette police doivent être effectuées par un réparateur TORO agréé utilisant des pièces TORO d'origine.

Les services fournis par un réparateur TORO agréé décrits ci-dessus constituent le seul recours de l'acheteur.

Comment La Loi D'État S'applique À Cette Garantie

Il n'existe aucune garantie expresse à l'exception de la Garantie Toro Couverture Totale. Toutes les garanties implicites de valeur marchande (aptitude du produit pour un usage normal) et d'aptitude à l'usage (aptitude du produit à un usage donné) sont limitées à la durée de la garantie expresse.

Certains États ne permettent pas de limiter des garanties implicites, par conséquent la clause ci-dessus peut ne pas s'appliquer à votre cas.

La société Toro décline toute responsabilité pour des dommages directs ou indirects résultant de l'usage du produit, y compris les coûts ou frais occasionnés par l'utilisation d'un équipement de remplacement pendant les périodes de dysfonctionnement ou de non utilisation.

Certains États ne permettent pas de limiter des garanties implicites, par conséquent la clause ci-dessus peut ne pas s'appliquer à votre cas.

Cette garantie vous donne des droits légaux spécifiques. Vous pouvez également bénéficier de certains autres droits, lesquels varient d'un État à l'autre.



Tondeuses
guidées

LA GARANTIE DE PERFORMANCE TORO

Garantie Total
(Garantie limitée pour usage commercial)

Que couvre cette garantie express?

The Toro Company s'engage à réparer tout produit TORO utilisé à des fins résidentielles normales* en cas de défauts de matériaux ou de fabrication ou de panne totale en raison d'une pièce défectueuse. Les durées de garantie suivantes entrent en vigueur à partir de la date d'achat.

- Tondeuses guidées garantie totale de 5 ans Super Recycler®
- Toutes les autres tondeuses ... garantie totale de 2 ans

Le coût des pièces et de la main-d'oeuvre est compris, mais les frais de port sont à la charge du client.

Quels produits sont couverts par cette garantie?

Cette garantie couvre toutes les tondeuses guidées à usage à des fins résidentielles. Les produits pilotés et les tondeuses guidées pour grandes superficies sont couvertes par des garanties différentes.

Utilisation commerciale

Les produits TORO utilisés à des fins commerciales, institutionnelles ou de location sont garantis contre les défauts de matériaux ou de fabrication. La garantie ne couvre pas les dommages dus à une usure normale des pièces. The following time periods apply from the date of purchase:

- | Produit | Durée de la garantie |
|---------------------------------|---|
| • Tondeuses guidées | Garantie limitée de 1 an 54 cm à usage commercial |
| • Toutes les autres tondeuses . | Garantie limitée de 45 jours |

Comment obtenir le service garantie?

En cas de besoins de réparation sous garantie de votre produit TORO, contactez votre concessionnaire TORO agréé ou le centre de réparations TORO. La liste des concessionnaires et revendeurs se trouve dans les pages jaunes de l'annuaire. Le revendeur effectuera les réparations nécessaires sur place ou recommandera un autre concessionnaire agréé plus approprié. Une preuve d'achat peut vous être demandée (copie de l'immatriculation, reçu, etc.) pour valider la garantie.

Si, pour quelque raison que ce soit, vous n'êtes pas satisfait de l'analyse du concessionnaire concernant le défaut matériel ou de fabrication, ou si vous désirez l'adresse d'un Concessionnaire Toro, n'hésitez pas à nous contacter à l'adresse suivante:

Toro Customer Service Department
8111 Lyndale Avenue South
Bloomington, MN 55420-1196
612-888-8801
800-348-2424

Que devez-vous faire pour que la garantie soit toujours valable?

Respectez les procédures d'entretien de votre produit TORO décrites dans la notice d'utilisation. L'entretien courant du produit est à vos frais, qu'il soit effectué par le concessionnaire ou par vous-même.

Ce qui n'est pas couvert par la garantie et La garantie par rapport à la législation de votre pays

Il n'existe aucune garantie autre que la garantie de démarrage TORO pour les moteurs GTS. Cette garantie expresse ne couvre pas:

- Les frais d'entretien réguliers ou de pièces, comme les filtres, le carburant, les lubrifiants, les changements d'huile, les bougies d'allumage, l'affûtage des lames, les lames usées, les réglages de câbles/timonerie ou les réglages des freins et de l'embrayage.
- Toute modification ou tout emploi abusif des produits ou pièces, tout remplacement ou toute réparation nécessaire pour cause d'accident ou de mauvais entretien.
- Toute réparation nécessaire consécutive à l'emploi d'un carburant inadéquat ou à la présence de contaminants dans le système de carburant, ou à une préparation inadéquate du système de carburant avant toute période de plus de trois mois durant laquelle le produit ne sera pas utilisé.
- Les frais de prise en charge et de livraison.

Toutes les réparations couvertes par cette garantie doivent être effectuées par un concessionnaire agréé TORO et seulement avec des pièces d'origine TORO.

Les termes de cette garantie impliquent la seule utilisation des services d'un concessionnaire agréé TORO.

La société TORO n'est responsable d'aucun dégât indirect, fortuit ou consécutif lié à l'utilisation des produits TORO couverts par cette garantie, y compris les frais encourus par le remplacement de l'équipement ou par des prestations de service pendant des durées acceptables de mauvais fonctionnement ou de non utilisation pendant la durée des réparations selon les termes de la garantie. Certains états interdisent toute clause d'exclusion relative aux dégâts fortuits ou consécutifs et dans ce cas, les exclusions précédentes ne vous concernent pas.

Cette garantie présente vos droits spécifiques, mais vous bénéficiez peut-être d'autres droits qui varient selon les états.

* Par utilisation à des fins résidentielles normales, il faut comprendre la tonte des gazons situés sur le terrain de votre domicile. L'utilisation du produit dans tout autre lieu est considéré comme usage commercial qui n'est pas couvert par la garantie.

PAYS AUTRES QUE LES ÉTATS-UNIS ET LE CANADA

Les clients ayant acheté des produits Lawn-Boy exportés des États-Unis ou du Canada devront contacter leur distributeur (concessionnaire) Toro local pour obtenir les polices de garantie pour leur pays, province ou état. Si pour une raison quelconque vous n'êtes pas satisfait des prestations de votre distributeur ou si vous éprouviez des difficultés à obtenir des informations sur la garantie, contactez l'importateur Toro. Si vous n'obtenez toujours aucun résultat, contactez-nous directement au siège social de Toro.

Contenido

	Página		Página
Introducción	2	Mantenimiento	14
Seguridad	3	Programa de mantenimiento recomendado	14
Medidas de seguridad	3	Filtro de aire	15
Calcomanías de seguridad e instrucciones .	6	Drenaje de la gasolina	16
Montaje	7	Cambio del aceite del motor	16
Manija	7	Bujía	16
Cuerda de arranque	7	Cable del acelerador	17
Batería	7	Cable autopropulsado	17
Antes de comenzar	7	Cuchilla	17
Aceite	7	Lubricación	18
Gasolina	8	Freno de la cuchilla	19
Consejos para el reciclado	9	Carga de la batería	19
Consejos generales	9	Desecho de la batería	19
Operación	10	Limpieza	20
Controles	10	Almacenamiento	21
Arranque del motor	10	Combustible	21
Parada del motor	11	Motor	21
Dirección autopropulsada	11	Limpieza	21
Tirando de la cortadora hacia atrás	12	General	22
Ajuste de la altura de corte	12	Retirada del lugar de almacenamiento	22
		Garantía	23

Introducción

Gracias por comprar un producto Toro.

Todo el personal de Toro queremos que esté totalmente satisfecho con su nuevo producto. Por ello le rogamos que se ponga en contacto con su concesionario local autorizado, que dispone de piezas de repuesto Toro genuinas y le podrá ayudar con los problemas técnicos y asistirle en todo momento.

Siempre que se comunique con el Concesionario de Servicio Autorizado o con la fábrica, tenga a mano los números de modelo y serie del producto. Estos números ayudarán al Concesionario de Servicio o al Representante de Servicio a proporcionarle una información precisa acerca de su producto determinado. Encontrará la calcomanía con los números de modelo y serie en un lugar especial en el producto (Fig. 1 & 2).

Para su comodidad, anote a continuación el modelo y el número de serie de su producto.

No. del modelo:	_____
No. de serie:	_____

Lea este manual detenidamente para aprender a utilizar y mantener correctamente su producto. La lectura de este manual le ayudará a Vd. y a otros a

evitar lesiones corporales y daños a la máquina. Aunque Toro diseña, fabrica y comercializa productos seguros y de la más alta calidad, Vd. es el responsable de utilizar el producto de forma segura y adecuada. Vd. también es el responsable de instruir a las personas a las que tiene intención de dejar utilizar la máquina, para que la usen según las normas de seguridad.

A lo largo de este manual, Toro ha incluido avisos que identifican peligros potenciales y mensajes de seguridad especiales que le ayudarán a Vd. y a otros a evitar las lesiones corporales, incluso la muerte. Las palabras utilizadas para indicar estos mensajes e identificar el nivel de riesgo son PELIGRO, ADVERTENCIA y CUIDADO. No obstante, sin importar el nivel de riesgo, sea extremadamente cuidadoso.

PELIGRO señala una situación extremadamente arriesgada que causará lesiones graves, incluso la muerte, si no se siguen las precauciones indicadas.

ADVERTENCIA señala un riesgo que puede causar lesiones graves, incluso la muerte, si no se siguen las instrucciones indicadas.

CUIDADO señala un riesgo que puede causar lesiones leves o moderadas si no se siguen las instrucciones indicadas.

También se utilizan otras dos palabras para resaltar cierto tipo de información. “Importante” llama la atención sobre informaciones técnicas especiales y “Nota” hace hincapié sobre informaciones generales que es conveniente resaltar.

Seguridad

Esta máquina cumple o excede los requisitos de seguridad de cuchilla CPSC para cortadoras de césped con cuchilla giratoria empujadas por usuario y cumple la especificación B71.1 del ANSI, en vigor en el momento de la fabricación. Sin embargo, el uso o mantenimiento indebido por parte del usuario o propietario puede causar lesiones. Para reducir el riesgo potencial de lesiones, cumpla estas instrucciones de seguridad y preste siempre atención al símbolo de alerta ▲ que significa CUIDADO, ADVERTENCIA o PELIGRO—“instrucción relativa a la seguridad personal.” El incumplimiento de estas instrucciones puede dar lugar a lesiones corporales.

Medidas de seguridad

Este producto es capaz de amputar brazos o piernas y de lanzar objetos. Siga siempre todas las instrucciones de seguridad con el fin de evitar lesiones corporales graves e incluso la muerte.

▲ ADVERTENCIA

PELIGRO POTENCIAL

- Los gases de escape del motor contienen monóxido de carbono, un veneno mortal e inodoro.

LO QUE PUEDE SUCEDER

- El monóxido de carbono es mortal, y en el estado de California se ha comprobado que causa defectos congénitos.

COMO EVITAR EL PELIGRO

- No haga funcionar el motor dentro de la casa o en recintos cerrados.

Esta cortadora de césped está diseñada para cortar la hierba y para distribuir fertilizantes orgánicos y, cuando está equipada con un saco, para recoger la

hierba cortada. Cualquier otro uso al que se la destine puede ser peligroso para el usuario o las personas a su alrededor.

Nota: Este motor NO está equipado con un silenciador eliminador de chispas. La utilización o funcionamiento de esta cortadora de césped en cualquier terreno cubierto de bosque, maleza o sin edificar en el estado de California, sin estar equipada con un silenciador eliminador de chispas aprobado, está en contra de la ley. Otros estados pueden tener legislaciones similares.

Operación general

1. Lea detenidamente este manual antes de hacer funcionar la cortadora de césped. Familiarícese con los controles y su correcta utilización. Nunca deje que los niños menores de 16 años usen la cortadora de césped o que la utilicen adultos que no hayan recibido las instrucciones adecuadas.
2. El operador de la cortadora de césped es responsable de mantener a todos, especialmente los niños y los animales domésticos, fuera del área de funcionamiento. El operador es responsable de los accidentes o peligros a que están sometidas las personas que se encuentren en su propiedad.
3. Inspeccione cuidadosamente el área donde se va a utilizar la cortadora de césped y retire los palos, piedras, alambres y escombros. Mientras corta el césped, inspeccione el área en busca de objetos extraños.
4. Vístase con pantalones largos y zapatos resistentes. No utilice la cortadora de césped mientras lleve sandalias, joyas, ropas sueltas o esté descalzo.
5. Compruebe el nivel de combustible antes de poner en marcha el motor. Maneje con cuidado el combustible, es un líquido altamente inflamable.

-
- A. Utilice un recipiente homologado.
 - B. Llene el tanque en el exterior, nunca en un recinto cerrado. **NUNCA AÑADA COMBUSTIBLE AL MOTOR CUANDO ESTA EN FUNCIONAMIENTO O CALIENTE.**
 - C. Instale la tapa de gases en el depósito de combustible y en el tanque de gas y limpie la gasolina derramada antes de arrancar el motor.
 - D. No fume mientras reposta combustible.
6. Mantenga en su sitio todas las cubiertas, protecciones, colectores de hierba y dispositivos de seguridad. Repare o reemplace las piezas dañadas, incluyendo las calcomanías. Antes de cada uso, compruebe todos los dispositivos de seguridad.
 7. Antes de utilizar, compruebe siempre visualmente que las cuchillas, los pernos de las cuchillas y el sistema de corte no están desgastados o dañados. Reemplace la cuchilla o los pernos gastados o dañados siempre en juegos, con el fin de mantener el equilibrio.
 8. El dispositivo de tracción (en los modelos autopropulsados), la cuchilla y el motor están diseñados para detenerse cuando se suelta la barra de control. Compruebe que el freno y los controles funcionan correctamente antes de cada uso.
 9. Desengrane el mecanismo de autopropulsión o el embrague de la dirección (modelo autopropulsado) antes de encender el motor.
3. Manténgase siempre en posición estable. Mantenga firmemente agarrada la manija y camine, no corra nunca. No haga funcionar la cortadora de césped sobre hierba mojada. Corte el césped durante el día o con iluminación artificial adecuada.
 4. Corte el césped de las pendientes perpendicularmente a la pendiente, nunca de arriba a abajo. Sea extremadamente cuidadoso cuando cambie de dirección en una pendiente. No corte el césped de pendientes demasiado pronunciadas. Cuando corte el césped en pendientes, utilice zapatos antideslizantes.
 5. Protéjase los ojos de los objetos que pueda lanzar la máquina utilizando siempre gafas de seguridad o protecciones oculares mientras se trabaja con la cortadora de césped.
 6. Mantenga la cara, las manos y los pies alejados de la caja de la cortadora de césped y de la cuchilla de corte mientras el motor esté funcionando. La cuchilla puede causar lesiones en las manos y en los pies. Manténgase detrás de la manija hasta que el motor se detenga por completo
 7. Maniobre con extremo cuidado cuando vaya marcha atrás o cuando mueva la cortadora de césped hacia Vd.
 8. Ya que la cuchilla sigue girando unos segundos después de que se haya soltado la barra de control, manténgase detrás de la manija hasta que todas las piezas móviles se hayan detenido.
 9. Después de golpear un objeto extraño o si la cortadora de césped vibra de forma extraña, pare el motor y retire el cable de la bujía. Compruebe que la cortadora de césped no ha sufrido daños y efectúe cualquier reparación necesaria antes de volver a utilizarla. Si fuera necesario efectuar reparaciones importantes o se desea asistencia técnica, póngase en contacto con su representante de servicio autorizado Toro.

Mientras está funcionando

1. No haga funcionar el motor en recintos cerrados.
2. Arranque cuidadosamente el motor siguiendo las instrucciones y con los pies bien separados de la cuchilla.
10. Antes de ajustar la altura de corte, pare el motor y espere a que se detengan todas las piezas móviles.

-
11. Pare la cuchilla antes de retirar la máquina del césped.
 12. Pare el motor antes de abandonar la posición del operario - detrás de la manija. Desconecte el cable de la bujía si la cortadora de césped va a quedar desatendida.
 13. No toque el motor mientras está en marcha o poco después de que se haya parado, ya que estará lo suficientemente caliente como para producir quemaduras.
 14. Llene el depósito de combustible sólo cuando el motor esté frío.
 15. Si es necesario alzar la cortadora de césped para transportarla, apague el motor y manténgase detrás de la manija hasta que todas las piezas móviles se hayan detenido.
3. Para cerciorarse de que la cortadora esté en condiciones seguras de operación, examine frecuentemente todos los tornillos, tuercas y pernos y manténgalos apretados. Asegúrese de que el perno de la cuchilla esté apretado a 54-68 N·m (40-50 libras-pie).
 4. Cuando repare la cuchilla, consulte la sección de mantenimiento de la cuchilla, donde se le informará acerca de los procedimientos correctos de instalación y reparaciones.
 5. Para reducir el riesgo de incendio, mantenga el motor libre de exceso de grasa, hierba, hojas y acumulaciones de suciedad.
 6. No haga funcionar el motor a velocidades excesivas, cambiando el ajuste del regulador.
 7. Deje que el motor se enfríe antes de guardar la cortadora de césped en un recinto cerrado. No coloque la cortadora cerca de llamas descubiertas o donde los vapores de la gasolina puedan ser encendidos por una chispa.
 8. Al momento de su fabricación, la cortadora cumplía con las normas de seguridad vigentes para cortadoras rotativas. Para asegurar el rendimiento óptimo y el mantenimiento de la certificación de seguridad de la cortadora, use únicamente piezas y accesorios de repuesto TORO legítimos. Es posible que las piezas de repuesto y accesorios de otros fabricantes no satisfagan las normas de seguridad, lo cual podría resultar peligroso.

Mantenimiento

1. Lleve a cabo solamente las instrucciones de mantenimiento descritas en este manual. Si la cortadora necesitase reparaciones importantes o si usted desea asistencia, comuníquese con su representante de servicio autorizado Toro.
2. Antes de limpiar, inspeccionar, reparar o ajustar la cortadora de césped, pare el motor y desconecte el cable de la bujía. Mantenga el cable lejos del enchufe para evitar arranques accidentales.

Calcomanías de seguridad e instrucciones



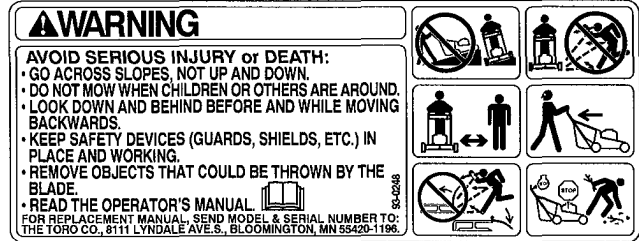
Las calcomanías de seguridad e instrucciones están colocadas en un lugar fácilmente visible por el operador y cerca de las piezas potencialmente peligrosas. Reemplace cualquier calcomanía dañada o despegada.



SOBRE LA CAJA DE LA CORTADORA DE CESPED
(Nº de ref. 39-5770)

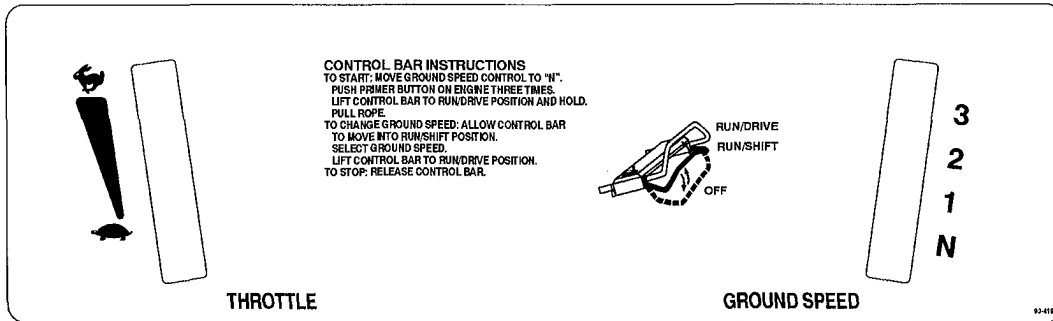


DEBAJO DEL MONTAJE TAPA-DEFLECTOR EN LA CUBIERTA DE LA CORTADORA
(Nº de ref. 82-8450)



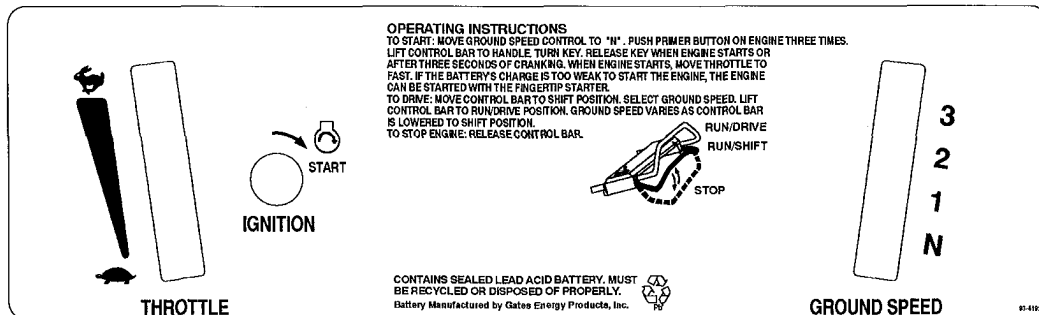
Modelo de empuje manual solamente

EN LA CAJA DE LA CORTADORA
(Nº de ref. 93-0248)



Modelo autopropulsado solamente

EN EL PANEL DE CONTROL
(Nº de ref. 93-4191)



Modelo de arranque eléctrico solamente

EN EL PANEL DE CONTROL
(Nº de ref. 93-4192)

Montaje

Nota: Los lados izquierdo y derecho de la cortadora se determinan desde la posición del operador.

Manija

1. Para evitar daños durante el transporte y el montaje de la cortadora, ésta se envía de fábrica con material de relleno colocado entre las juntas de la manija superior e inferior. Alinee las manijas superior e inferior y retire el material de relleno con la ayuda de unos alicates.
2. La perilla izquierda de la manija se envía de fábrica colocada en la parte exterior de la manija (Fig. 3). Saque el perno y la perilla izquierda. Vuelva a instalarlos en la parte interior de la manija (Fig. 4). Ambas perillas deben estar instaladas en la parte interior de las manijas. Apriete las perillas.
3. Mueva ligeramente hacia fuera los pestillos de la manija de forma que no interfieran al girar hacia atrás la manija para colocarla en la posición de operación (Fig. 4).
4. Gire la manija hacia atrás. Mueva hacia dentro los pestillos de la manija mientras introduce el perno en el orificio central del pestillo de la manija (Fig. 4). Si el pestillo de la manija no encaja de forma segura en el tubo de la manija, saque el pestillo del perno, doble hacia dentro el pestillo y vuelva a colocarlo en el perno. Repita este procedimiento las veces que sean necesarias hasta que se produzca un encaje perfecto entre el pestillo y la manija. Compruebe que las perillas de la manija están apretadas.

Nota: Si la altura de la manija no es satisfactoria, ajústela colocando el perno en otro orificio.

5. Compruebe que los cables de control están por detrás y en la parte interna de las manijas. Fije los cables a la manija mediante abrazaderas para cables (Fig. 4)

Cuerda de arranque

1. Hale la cuerda de arranque a través de la guía situada en la manija (Fig. 5).

Nota: Para hacer que la cuerda se enlace con más facilidad, apriete la barra de control sobre la manija y suelte el freno de la cuchilla.

Batería

(modelo con arranque eléctrico solamente)

1. Coloque la batería, con la parte de la calcomanía hacia arriba, entre las ranuras de la parte trasera del tablero de control y conecte los bornes (Figura 6).
2. Cargue la batería. Consulte la sección “Carga de la batería”.

Antes de comenzar

Aceite

Llene el cárter con aceite SAE 30 hasta que el nivel llegue a la marca de FULL (lleno) de la varilla medidora. Si no se dispone de aceite SAE 30 se puede sustituir por aceite 10W-30. La capacidad máxima del cárter es de 0,6 litros (20 onzas) de aceite. Use cualquier aceite detergente de alta calidad que tenga la clasificación de servicio de la API — SF, SG o SH.

Antes de cada uso, compruebe que el nivel de aceite esté entre las marcas de FULL (lleno) y ADD (agregar) de la varilla medidora (Fig. 7). Agregue aceite si el nivel está bajo.

1. Coloque la cortadora sobre una superficie nivelada y limpie alrededor de la varilla medidora (Fig. 7).

2. Saque la varilla haciendo girar la tapa un cuarto de vuelta hacia la izquierda
3. Limpie la varilla con un trapo e insértela en el orificio de llenado. Gire la tapa un cuarto de vuelta hacia la derecha. Entonces, saque la varilla y verifique el nivel en el lado que tiene las marcas FULL y ADD (Fig. 7). Si el nivel está bajo, agregue solamente la cantidad suficiente para llevar el nivel hasta la marca de FULL (lleno). **NO SOBREPASE ESTA MARCA PORQUE EL MOTOR PODRIA AVERIARSE DURANTE EL ARRANQUE. VIERTA EL ACEITE LENTAMENTE.**
4. Inserte la varilla medidora en el orificio de llenado y gire la tapa un cuarto de vuelta hacia la derecha para trabarla en su posición.

Nota: Compruebe el nivel del aceite cada vez que utilice la cortadora o después de cada 5 horas de operación. Inicialmente, cambie el aceite después de las primeras 2 horas de operación; más adelante, cámbielo después de cada 25 horas. En condiciones de polvo o suciedad, se requieren cambios de aceite de forma más frecuente.

Gasolina

PELIGRO

PELIGRO POTENCIAL

- En ciertas condiciones, la gasolina es extremadamente inflamable y altamente explosiva.

LO QUE PUEDE SUCEDER

- Un incendio o una explosión causados por gasolina pueden quemar al operador y otras personas y causar daños materiales.

COMO EVITAR EL PELIGRO

- Utilice un embudo y llene el depósito de combustible en el exterior, en un área abierta y con el motor frío. Limpie la gasolina derramada.
- No llene a tope el depósito de gasolina. Añada gasolina hasta que el nivel alcance desde 6 mm a 13 mm (1/4 a 1/2 pulgada) por debajo de la parte inferior del cuello de llenado. Este espacio vacío en el depósito permite la dilatación de la gasolina.
- No fume nunca mientras maneja la gasolina y manténgase alejado de llamas desnudas o de lugares donde una chispa pueda inflamar los vapores de la gasolina.
- Almacene la gasolina en un recipiente homologado y manténgalo fuera del alcance de los niños.
- No compre nunca una provisión de gasolina para más de 30 días.

Nota: No use gasolina que haya sido almacenada en un recipiente homologado desde la temporada anterior. La Compañía Toro recomienda encarecidamente el uso de gasolina fresca, limpia, **SIN PLOMO**, de grado regular para los productos Toro con motor de gasolina. La gasolina sin plomo quema más limpio, prolonga la vida del motor y produce un buen arranque reduciendo la acumulación de depósitos en la cámara

de combustión. Si no hubiese gasolina sin plomo disponible, se puede usar gasolina con plomo.

Toro recomienda el uso regular de un estabilizador/acondicionador Toro en todos los productos con motor de gasolina Toro durante las temporadas de operación y almacenamiento. Los estabilizadores/acondicionadores Toro limpian el motor durante la operación e impiden que se formen depósitos gomosos en el motor durante los períodos de almacenamiento.

1. Limpie alrededor de la tapa del tanque de combustible y quite la tapa al tanque (Fig. 7).
2. Usando gasolina sin plomo, llene el tanque hasta 6 a 13 mm (1/4 a 1/2 pulgada) del tope del tanque, no en el cuello de llenado. No llene el tanque hasta el tope.
3. Vuelva a colocar la tapa del tanque y limpie cualquier derrame de gasolina.

IMPORTANTE: NO MEZCLE EL ACEITE CON LA GASOLINA. NO USE NUNCA METANOL, GASOLINA QUE CONTENGAMETANOL, GASOHOL CON MAS DE 10% DE ETANOL O GASOLINA BLANCA PORQUE PODRIAN PRODUCIR DAÑOS AL SISTEMA DE COMBUSTIBLE DEL MOTOR.

NO USE ADITIVOS DE COMBUSTIBLE DISTINTOS DE LOS FABRICADOS PARA LA ESTABILIZACION DEL COMBUSTIBLE DURANTE EL ALMACENAMIENTO, TALES COMO EL ESTABILIZADOR/ACONDICIONADOR TORO O PRODUCTOS SIMILARES. EL ESTABILIZADOR/ACONDICIONADOR TORO ES UN PRODUCTO CON BASE DE DESTILADO DE PETROLEO. TORO NO RECOMIENDA LOS ESTABILIZADORES CON BASE DE ALCOHOL, TALES COMO EL ETANOL, METANOL O ISOPROPILO. NO DEBEN USARSE ADITIVOS PARA TRATAR DE AUMENTAR LA POTENCIA O FUNCIONAMIENTO DEL EQUIPO.

4. Conecte el cable de la bujía (si hubiera sido desconectado) (Fig. 7).

Consejos para el reciclado

Consejos generales

Siga las instrucciones siguientes para obtener los mejores resultados de corte y apariencia del césped.

- Mantenga una **cuchilla afilada** durante toda la temporada de corte. Periódicamente, afile las melladuras de la cuchilla.
- **Sólo corte hierba y hojas secas.** La hierba y las hojas mojadas tienden a agruparse y pueden obstruir la cortadora o ahogar el motor. Además, son resbaladizas y aumentan el riesgo de deslizamientos y caídas por parte del operador.

ADVERTENCIA

PELIGRO POTENCIAL

- La hierba húmeda le puede hacer resbalar y tropezar con la cuchilla.

LO QUE PUEDE SUCEDER

- El contacto con la cuchilla le puede lesionar gravemente.

COMO EVITAR EL PELIGRO

- Corte la hierba sólo en condiciones secas.

- Fije el motor en la posición de máxima velocidad. La máxima potencia ofrece los mejores resultados.
- Después de cada utilización, limpie la parte inferior de la cubierta, eliminando las acumulaciones de hojas.
- Mantenga el motor en buen estado de funcionamiento. Las acciones de cortar y recortar requieren mayor potencia.

- Limpie el filtro de aire con más frecuencia. Las acciones de cortar y recortar crean más acumulaciones de recortes y polvo que pueden atascar el filtro de aire y reducir el rendimiento del motor.

Cortar hierba

- La hierba crece a diferente velocidad dependiendo de la época del año. En el calor del verano es mejor, generalmente, cortar la hierba en las graduaciones de altura de C, D o E. Debe cortarse sólo un tercio de la altura de la hoja de hierba. No se recomienda cortar a una graduación inferior a C a menos que la hierba sea muy rala o a fines del otoño cuando el crecimiento de la hierba comienza a ser lento.
- Cuando cambie la posición de la altura de corte desde uno de los valores fijados (C, D o E) a una nueva posición, es posible que la hierba aparezca descuidada o desigual hasta que ésta se habitúe a la nueva altura de corte y recobre su aspecto normal.
- Cuando se corte hierba de más de 15 cm (6 pulgadas) de altura, puede ser preferible utilizar primero la cortadora con la máxima altura de corte y una velocidad de avance lenta; después se puede volver a pasar con un ajuste de altura más bajo, mejorando el aspecto del césped. Si la hierba es demasiado alta y hay acumulaciones de hojas, la cortadora puede atascarse y ahogar el motor.
- Alterne la dirección del corte. Esto ayudará a dispersar los recortes por todo el césped para una fertilización más uniforme.

Si la apariencia del césped acabado de cortar no es satisfactoria, intente uno o más de los siguientes:

- Afile la cuchilla.
- Camine más despacio mientras poda el césped.
- Eleve la graduación de altura de corte de la cortadora.

- Corte el césped con mayor frecuencia.
- Solape las sendas de corte en lugar de cortar una sola senda con cada pasada.
- Gradúe la altura de corte una ranura más baja en las ruedas delanteras que en las traseras (por ejemplo: fije las ruedas delanteras en “C” y las traseras en “D”)

Cortar hojas

- Cuando haya terminado de cortar, asegúrese siempre de que se vea el 50% del césped a través del manto de hojas cortadas. Esto puede requerir una o más pasadas sobre las hojas.
- Para una cubierta de hojas ligera, fije todas las ruedas a la misma altura de corte.
- Si hubiese hojas de más de 13 cm (5 pulgadas) sobre el césped, gradúe las ruedas delanteras una o dos ranuras más alto que las traseras. Esto facilita la entrada de las hojas bajo la cubierta de la cortadora.
- Camine más lentamente si las hojas no son cortadas lo suficientemente finas como para ocultarse entre la hierba.
- Si usted corta gran cantidad de hojas de roble, puede que necesite agregar cal a su césped en la primavera. La cal reduce la acidez de las hojas de roble.



Operación

Controles

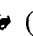

El interruptor con llave (modelo con arranque eléctrico), el acelerador, el control de velocidad sobre el terreno (modelo autopropulsado), la barra de control y el arrancador recuperador están en la manija (Fig. 8 y 9).

Arranque del motor

1. Introduzca el cable de la bujía en la bujía (Fig. 7).

2. **Modelo autopropulsado solamente**-Mueva el control de velocidad sobre el terreno hasta la posición  (PUNTO MUERTO).
3. Mueva el acelerador hasta la posición  (RAPIDO).
4. Pulse el cebador tres (3) veces (Fig. 10). **Espere aproximadamente dos (2) segundos entre cada pulsación.**

Nota: No utilice el cebador para volver a encender el motor caliente después de una parada corta. No obstante, en climas fríos puede ser necesario utilizar el cebador repetidas veces.
5. Ponga en marcha la cortadora:
 - **Arranque manual:** Apriete la barra de control contra la manija. Hale ligeramente la manija de arranque hasta que note resistencia y, a continuación, tire con fuerza. Deje que la cuerda regrese lentamente a la manija.
 - **Arranque eléctrico (modelo con arranque eléctrico solamente):** Introduzca la llave en el interruptor. Gire la llave hasta la posición START y suéltela cuando arranque el motor.

Nota: Si la batería no está lo suficientemente cargada para arrancar el motor, utilice el arrancador recuperador.
6. Regule el acelerador de la forma deseada entre las posiciones  (RAPIDO) and  (LENTO).

Parada del motor

1. Suelte la barra de control. Tanto el motor como la cuchilla y el mecanismo de tracción se detendrán. En caso contrario, póngase inmediatamente en contacto con su concesionario. Permanezca detrás de la manija hasta que todas las piezas móviles se detengan.

2. Desenchufe el cable de la bujía si va a dejar la cortadora desatendida o no la va a usar. En el modelo con arranque eléctrico, retire la llave.


Dirección autopropulsada

(modelos autopropulsados solamente)

La cortadora tiene tres velocidades sobre el terreno: la número "1" es lenta, la número "2" es media y la número "3" es una velocidad rápida de marcha a pie.

1. Mueva la barra de control hasta la posición AVANCE/MANUAL (Fig. 11).
2. Mueva el control de velocidad sobre el terreno hasta la posición deseada.
3. Para engranar la dirección autopropulsada, apriete la barra de control contra la manija hasta la posición AVANCE/AUTOMATICO (Fig. 11).

Nota: No cambie de velocidad mientras la barra de control está apretada contra la manija en la posición AVANCE/MANUAL (Fig. 11), ya que puede dañar la transmisión. Mueva la barra de control hasta la posición AVANCE/MANUAL cuando desee cambiar la velocidad sobre el terreno.

Se puede variar la velocidad sobre el terreno aumentando o reduciendo la distancia entre la barra de control y la manija. Baje la barra de control para reducir la velocidad de la cortadora cuando vaya a realizar un giro o si la cortadora se mueve demasiado rápido. Si baja demasiado la barra de control, la cortadora dejará de autopropulsarse. Apriete la barra de control contra la manija para aumentar la velocidad sobre el terreno. Cuando la barra de control está completamente apretada contra la manija, la cortadora se autopropulsará a la máxima velocidad. Mueva el control de velocidad hasta la posición  (PUNTO NEUTRO) cuando use la cortadora para recortar o cuando la deje desatendida.

Tirando de la cortadora hacia atrás

(modelos autopropulsados solamente)

Su cortadora está equipada con embragues de rueda libre que facilitan el tirar de la cortadora hacia atrás. Es necesario bajar la barra de control lo suficiente para desengranar el mecanismo de autopropulsión y desengranar los embragues antes de tirar de la cortadora hacia atrás. Para ello, puede ser necesario mover la cortadora hacia adelante unos centímetros después de soltar la barra de control.

Por ejemplo, si se acerca a un objeto tal como un árbol o un matorral del que desea alejar la cortadora, baje la barra de control cuando se encuentre a unos 15 cm (6 pulgadas) del objeto justo lo suficiente como para desengranar el mecanismo de tracción. El impulso de la cortadora la hará avanzar por lo menos 2,5 cm (1 pulgada) lo que hará que se desengranen los embragues. Entonces le resultará fácil tirar de la cortadora hacia atrás.

Es necesario que el cable autopropulsado esté correctamente ajustado de forma que pueda bajar cómodamente la barra de control para detener el mecanismo de tracción sin parar el motor. Consulte la sección "Cable autopropulsado" en el capítulo "Mantenimiento" para obtener información sobre el ajuste del cable. Si necesita ayuda, diríjase a su representante de servicio autorizado Toro.

Ajuste de la altura de corte

La exclusiva SmartWheel™ de Toro proporciona un método sencillo para determinar la debida altura de corte.

A fin de garantizar la mejor altura de corte para la condición de cortado que sea, SmartWheel tiene dos escalas de graduación de corte — SPARSE/NORMAL (escaso/normal) y LUSH (abundante) (Fig. 12). Para la mayor parte del cortado, durante la temporada cálida del verano use la graduación de corte SPARSE/NORMAL. La

graduación LUSH es para la hierba densa, húmeda y succulenta que crece más que todo durante la primavera.

Por lo general se recomienda lo siguiente:

- Por lo general la hierba se debe cortar cuando esté a la altura para las posiciones C, D o E o se debe mantener a una altura de 5 a 7 cm.
- No se recomienda el corte en una posición inferior a la C a menos que la hierba sea escasa o a fines del otoño cuando el crecimiento de la hierba es más lento. Al cortar hierba larga es posible que se deba usar una posición de altura de corte superior y se deba andar más lentamente; luego habría que volver a cortar la hierba en una posición de corte más normal. Si la hierba es demasiado larga y deja macizos de césped, la cortadora se podría obturar y hacer que pare el motor.
- SmartWheel calcula la debida posición a fin de garantizar que no se corte más de 1/3 de la hoja de hierba.

PELIGRO

PELIGRO POTENCIAL

- **El ajustar las palancas de altura de corte puede hacer que las manos hagan contacto con la cuchilla en movimiento.**

LO QUE PUEDE SUCEDER

- **El contacto con la cuchilla puede causar serias lesiones personales.**

COMO EVITAR EL PELIGRO

- **Detenga el motor y espere a que todas las piezas móviles se paren antes de ajustar la altura de corte.**
- **No meta los dedos debajo de la caja cuando ajuste las palancas de altura de corte.**

1. Antes de arrancar el motor y comenzar a cortar, empuje la cortadora hasta la hierba. Deténgase cuando las letras del diseño SmartWheel™ en la rueda trasera izquierda estén hacia arriba (Fig. 12).
2. Haciendo uso del diseño SmartWheel codificado a colores (Fig. 12), compare las puntas de las hojas de hierba con los colores/letras que hay en

la rueda. El color/letra con que correspondan las puntas de las hojas de hierba es la debida altura de corte.

3. Apriete la palanca de altura de corte de la cortadora hacia la rueda y muévela hasta el color/letra correspondiente de la caja de la cortadora (Fig. 13). Para mayor facilidad de ajuste, alce la caja de modo que la rueda no toque el suelo . **Al alzar no meta los dedos dentro de la caja.** Asegúrese de que el pasador

de la palanca de ajuste de corte se enganche en la ranura de la caja. Ajuste todas las ruedas a la misma posición de color/letra.

Nota: Las ruedas delanteras pueden ajustarse a 1,27 cm (1/2 pulgada). Mueva la palanca de ajuste más allá de la letra "A" y deje entrar el pasador en el orificio de la caja. No se recomienda utilizar el ajuste de 1,27 cm como el ajuste normal de corte.

Mantenimiento

Un funcionamiento seguro y fiable requiere operaciones de mantenimiento regular.

Programa de mantenimiento recomendado

Pieza	Mantenimiento	Despu és de cada utiliza- ción	5 Horas	25 Horas	50 Horas	100 Horas
Caja	Limpiar las acumulaciones de polvo y de recortes de hierba.	X				
Tornillería	Comprobar con frecuencia la tornillería de la cuchilla y del motor. Para asegurarse de que la segadora está en perfectas condiciones de funcionamiento, mantener todas las tuercas, pernos y tornillos correctamente apretados.		X			
Aceite del motor	Drenar y rellenar el cárter del aceite con aceite fresco después de las 2 primeras horas de funcionamiento. Más adelante, cambiar el aceite cada 25 horas de funcionamiento.			X		
Filtro de aire	Limpiar o reemplazar cada temporada de corte o cada 25 horas. Reemplazar con más frecuencia si se trabaja en condiciones muy polvorientas.			X		
Lubricación	Engrasar las conexiones traseras			X		
Cuchilla	Afilarse o reemplazar; reparar con más frecuencia si el filo se desgasta más rápidamente debido a los terrenos desiguales o arenosos.				X	
Freno de la cuchilla	Comprobar el tiempo de frenado cada 50 horas o al comienzo de cada temporada de corte. La cuchilla debe pararse en menos de tres segundos después de soltarse la palanca, en caso contrario póngase en contacto con su representante de servicio autorizado Toro.				X	
Sistema de combustible	Comprobar si existen fugas y/o deterioramiento de la manguera de combustible. En caso necesario, reemplazarla.				X	

Pieza	Mantenimiento	Después de cada utilización	5 Horas	25 Horas	50 Horas	100 Horas
Bujía	Inspeccionar y limpiar. En caso necesario, reemplazarla.					X
Sistema de refrigeración	Limpiar las hierbas, recortes, escombros o suciedad que pueda atascar las aletas del ventilador y el sistema de arranque del motor. Limpiar con más frecuencia si se trabaja en condiciones polvorientas o con grandes cantidades de paja.					X

PRUDENCIA

PELIGRO POTENCIAL

- Si se deja el cable de la bujía conectado, es posible arrancar accidentalmente el motor.

LO QUE PUEDE SUCEDER

- El arrancado accidental del motor puede lesionar gravemente al operador o a los espectadores.

COMO EVITAR EL PELIGRO

- Desconecte el cable de la bujía antes de llevar a cabo ninguna operación de mantenimiento. Más aún, sepárelo completamente para que no pueda tocar accidentalmente la bujía.

Filtro de aire (Fig. 14)

Reemplace el filtro del aire una vez por temporada o cada 25 horas; reemplácelo con más frecuencia si se trabaja en condiciones polvorientas.

IMPORTANTE: No haga funcionar el motor sin el filtro de aire instalado; se puede dañar o desgastar excesivamente el motor.

Nota: Si, para limpiar la cara inferior de la cortadora, inclina ésta hacia el lado equivocado, puede dañar el filtro de aire.

1. Detenga el motor y desenchufe el cable de la bujía (Fig. 7). En el modelo con arranque eléctrico, retire la llave.
2. Saque el tornillo que fija la cubierta del depurador de aire al motor. Incline la cubierta y límpiela minuciosamente.
3. Saque el filtro de papel y tírelo.
4. Coloque un nuevo filtro de papel en el depurador de aire.

IMPORTANTE: No intente aspirar o soplar la suciedad de un papel de filtro. Reemplace siempre el filtro sucio por uno nuevo.

5. Vuelva a colocar la cubierta y apriete el tornillo.

Drenaje de la gasolina

1. Detenga el motor y espere a que se enfríe. Desenchufe el cable de la bujía (Fig. 7). En el modelo con arranque eléctrico, retire la llave.

IMPORTANTE: Vacíe la gasolina solamente de un motor en frío.

2. Quite la tapa del tanque de combustible y use una bomba de sifón para vaciar el combustible a una lata limpia.

Nota: Este es el único procedimiento recomendado para drenar el combustible.

Cambio del aceite del motor

Cambie el aceite del motor después de las 2 primeras horas de funcionamiento y, a partir de entonces, cada 25 horas de funcionamiento. Cambie el aceite mientras el motor esté caliente.

ADVERTENCIA

PELIGRO POTENCIAL

- Al inclinar la cortadora se puede derramar combustible del carburador o del depósito de gasolina.

LO QUE PUEDE SUCEDER

- La gasolina es extremadamente inflamable, altamente explosiva y, en ciertas condiciones, puede causar lesiones corporales y daños materiales.

COMO EVITAR EL PELIGRO

- Evite los derrames de gasolina dejando que el motor gire hasta que se seque, o vacíe el depósito con una bomba de mano, nunca con un sifón.

1. Detenga el motor y desenchufe el cable de la bujía (Fig. 7). En el modelo con arranque eléctrico, retire la llave.
2. Vacíe la gasolina del depósito de combustible. Consulte la sección “Drenaje de la gasolina”.
3. Incline la cortadora sobre el lado izquierdo
4. Vacíe el aceite desde el tubo de llenado donde se inserta la varilla medidora (Fig. 15). Utilice un recipiente adecuado para recoger el aceite. Deseche debidamente el aceite. Recíclelo siguiendo las normativas locales.
5. Enderece la cortadora.
6. Llene el cárter con aceite fresco hasta alcanzar la línea marcada con la palabra FULL en la varilla medidora. Consulte la sección “Aceite”, en el capítulo “Antes de comenzar”, para obtener las especificaciones necesarias.
7. Compruebe el nivel de aceite y vuelva a colocar la varilla medidora.
8. Limpie el aceite derramado.

Bujía

Una bujía sucia, picada, cubierta de carbón o con electrodos gastados, puede dificultar el arranque y causar un funcionamiento defectuoso.


Reemplace la bujía cada temporada o límpiela cada 100 horas, lo que suceda primero. Utilice una bujía Champion RJ19LM o equivalente.

1. Desenchufe el cable de la bujía (Fig. 7). En el modelo con arranque eléctrico, retire la llave.
2. Retire la bujía y límpiela con un cepillo de alambre para eliminar el carbón acumulado. **NO LIMPIE POR CHORRO DE ARENA.** Verifique el estado de la bujía comprobando que no hay fisuras o electrodos gastados o dañados. En caso necesario, reemplácela.
3. Gradúe la luz de la bujía a 0,76 mm (0,030 pulgadas) (Fig. 16).

4. Instale la bujía a mano y, a continuación, aplique un par de 20 N·m (15 ft.-lbs.) (Fig. 16).
5. Una vez finalizado el mantenimiento, vuelva a enchufar el cable de la bujía.

Cable del acelerador

Puede ser necesario un ajuste del control del acelerador si el motor no arranca o no se detiene. Siempre que se instale un nuevo cable de control del acelerador, éste deberá ajustarse.

1. Detenga el motor y desenchufe el cable de la bujía (Fig. 7). En el modelo con arranque eléctrico, retire la llave.
2. Saque (2) tornillos de la cubierta del motor y levántela (Fig. 17).
3. Afloje el tornillo de la abrazadera del cable hasta que éste se deslice (Fig. 18).
4. Mueva el control de aceleración a la posición  (RAPIDO).
5. Apriete el tornillo de la abrazadera del cable para trabar el ajuste.
6. Vuelva a instalar al cubierta con los (2) tornillos. Apriete los tornillos a 0,9-1,1 N·m (8-10 pulgadas-libra)

Cable autopropulsado

Si la cortadora no se autopropulsa o tiende a moverse lentamente cuando el mecanismo de accionamiento no está engranado, ajuste la perilla de control de la tracción de las ruedas en la parte posterior de la caja de engranajes (Fig. 19).

1. Detenga el motor y desenchufe el cable de la bujía (Fig. 7). En el modelo con arranque eléctrico, retire la llave.

2. Haga girar la perilla de control 1/2 vuelta hacia la derecha si la cortadora no se propulsa sola. Si se mueve muy lentamente hacia adelante, haga girar la perilla 1/2 vuelta hacia la izquierda para aflojar la correa.
3. Tire lentamente hacia atrás de la cortadora mientras mueve gradualmente la barra de control hacia la manija. El ajuste es correcto cuando:
 - la cortadora no comienza a avanzar muy lentamente cuando se desengrana la tracción
 - la barra de control se encuentra a una distancia de la manija que resulta cómoda para la mano del operador cuando éste necesita engranar y desengranar la dirección autopropulsada.

Nota: No ajuste demasiado el cable. El cable debe estar lo suficientemente apretado como para hacer girar las ruedas cuando la barra de control se encuentra a una distancia de la manija que resulta cómoda para la mano del operario. Si lo ajusta demasiado, la acción de engranar y desengranar la dirección autopropulsada puede requerir demasiado esfuerzo por parte del operario.

Si necesita ayuda, diríjase a su representante de servicio autorizado Toro.

Cuchilla

Una cuchilla afilada y recta proporciona el mejor rendimiento de corte. Inspeccione y afile regularmente la cuchilla.

ADVERTENCIA

PELIGRO POTENCIAL

- La cuchilla está afilada.

LO QUE PUEDE SUCEDER

- El contacto con la cuchilla puede causar lesiones corporales graves.

COMO EVITAR EL PELIGRO

- Utilice guantes o envuelva los bordes afilados de la cuchilla con un trapo.

1. Detenga el motor y desenchufe el cable de la bujía (Fig. 7). En el modelo con arranque eléctrico, retire la llave.
2. Vacíe la gasolina del depósito de combustible. Consulte la sección “Drenaje de la gasolina”.
3. Inclíne la cortadora hacia el lado izquierdo (Fig. 20).
4. **INSPECCION DE LA CUCHILLA**—Inspeccione minuciosamente la cuchilla para determinar su filo y desgaste, especialmente en el área de unión de las partes planas y curvas (Fig. 21). Puesto que la arena y los materiales abrasivos pueden desgastar el metal que une las partes plana y curva de la cuchilla, es necesario examinar la condición de la cuchilla antes de usar la máquina. Si se detectan muescas o desgaste, (Fig. 21B y C), reemplace la cuchilla. Consulte el paso 5.
5. **REMOCION DE LA CUCHILLA**—Sujete el extremo de la cuchilla usando un trapo o un guante grueso. Quite el perno de la cuchilla, la arandela de seguridad, el acelerador y la cuchilla (Fig. 20).

largo del año, lime las pequeñas melladuras para mantener el borde de corte.

6. **AFILADO DE LA CUCHILLA**—Utilice una lima para afilar la cara superior de la cuchilla (la cara dirigida hacia la caja de la cortadora) y mantener el ángulo de corte original (Fig. 22). La hoja permanecerá equilibrada si se quita la misma cantidad de material de ambos bordes de corte.

IMPORTANTE: Compruebe el equilibrio de la cuchilla colocándola sobre un equilibrador para cuchilla, el cual puede adquirirse a bajo costo en una ferretería. Si la cuchilla está equilibrada, se mantendrá en posición horizontal. Si no lo está, se inclinara hacia el lado más pesado. Si la hoja de la cuchilla no está equilibrada, será necesario quitar más material del borde de corte más pesado.

7. Instale una cuchilla afilada y equilibrada, el acelerador, la arandela de seguridad y el perno de la cuchilla. Para asegurarse de la instalación correcta, la parte de la aleta deberá quedar hacia la parte superior de la caja de la cortadora. Apriete el perno de la cuchilla a 54-68 N·m (40-50 libras-pie).

ADVERTENCIA

PELIGRO POTENCIAL

- Una cuchilla gastada o dañada podría partirse y un pedazo de la misma podría ser lanzado hacia el área del operador o de un espectador.

LO QUE PUEDE SUCEDER

- Un pedazo desprendido de la cuchilla puede causar serias lesiones o la muerte al operador o a un espectador.

COMO EVITAR EL PELIGRO

- Compruebe periódicamente si la cuchilla está gastada o dañada.
- Reemplace la cuchilla gastada o dañada.

Nota: Para lograr el rendimiento óptimo, instale la cuchilla nueva antes de comenzar la temporada de corte. A lo

ADVERTENCIA

PELIGRO POTENCIAL

- El funcionamiento de la cortadora sin el acelerador instalado puede hacer que la cuchilla se flexione, se doble o se rompa.

LO QUE PUEDE SUCEDER

- Una cuchilla rota puede causar serias lesiones o la muerte al operador o a un espectador.

COMO EVITAR EL PELIGRO

- No opere la cortadora sin acelerador.

Lubricación

Después de cada 25 horas de funcionamiento o al concluir la temporada, es necesario lubricar las ruedas delanteras y traseras.

1. Aplique 2 ó 3 gotas de aceite ligero en la parte interior y exterior de todos los pernos de las ruedas. Haga girar las mismas para distribuir el aceite en los bujes. Limpie el exceso de aceite.

Modelos autopropulsados solamente

1. Lleve las palancas de altura de corte de las ruedas traseras a la graduación "C". Limpie las copillas de engrase con un trapo limpio. Instale la pistola de engrase en la copilla y aplique 2 ó 3 bombazos de Grasa a Base de Litio Multiuso #2 (Fig. 23).

Freno de la cuchilla

Siempre que se monte un nuevo cable del freno de cuchilla, éste deberá ajustarse.

1. Detenga el motor y desenchufe el cable de la bujía (Fig. 7). En el modelo con arranque eléctrico, retire la llave.
2. **COMPRUEBE EL AJUSTE** (Fig. 24 & 25)—Mueva la barra de control hacia la manija hasta eliminar el aflojamiento del cable. El espacio entre la palanca del freno y la manija debe ser de 3,2-4,8 mm (1/8-3/16 pulgadas). Consulte el ajuste en el paso 3.
3. **AJUSTE EL CONDUCTO DEL CABLE** (Fig. 24 & 25)—Afloje la tuerca del soporte del cable. Inserte un objeto de 3,2-4,8 mm (1/8-3/16 pulgadas) entre la palanca del freno y la manija. Tire del conducto del cable hasta eliminar la flojedad del hilo. A continuación, apriete la tuerca.

Carga de la batería

(modelo con arranque eléctrico solamente)

Si bien la batería nueva no se envía completamente cargada, una carga parcial de 4 horas proporciona energía suficiente para varios arranques. Para asegurar

una carga completa, una batería nueva debe cargarse continuamente durante 72 horas. La batería también debe cargarse por 72 horas en la primavera y cada vez que la cortadora se almacene. Durante la operación normal, el alternador del motor mantiene cargada la batería.

1. Detenga el motor y desconecte el arnés de cables del terminal de la batería (Fig. 6).
2. Si se desea, la batería puede retirarse deslizándola fuera de las trabas de montaje. Sin embargo, no es necesario retirarla si la cortadora puede colocarse cerca de un tomacorriente.
3. Conecte el electrocargador TORO a la batería y enchúfelo en un tomacorriente de 120 VCA. Después de cargar la batería durante un tiempo determinado, desenchufar el cargador y desconectarlo de la batería.
4. Conecte el arnés de cables al terminal de la batería.

IMPORTANTE: Se recomienda utilizar únicamente el electrocargador TORO, pues otros cargadores podrían dañar la batería. Use siempre el cargador en interiores y, cuando sea posible, cargue la batería a una temperatura ambiente de 22° C (+70° F). No la cargue por más de 72 horas, pues podrían ocurrir daños.

Desecho de la batería

(modelo con arranque eléctrico solamente)

¡NO TIRE LAS BATERIAS USADAS EN SU CUBO DE BASURA!

ESTA BATERIA DE PLOMO (ACIDO) DEBE RECOGERSE, RECICLARSE O DESECHARSE RESPETANDO EL MEDIO AMBIENTE.

En ciertas zonas, LA LEY PROHIBE incinerar, enterrar o mezclar las baterías de plomo (ácido) con los vertidos municipales.

Envíe esta batería a una empresa de reciclado de baterías de plomo (ácido) homologada federal o estatalmente. Es posible que el lugar donde adquirió la batería sea una de ellas.

Póngase en contacto con los encargados de la manipulación de los vertidos municipales para obtener información adicional sobre la recogida, reciclado y desecho de este tipo de baterías de una forma compatible con el medio ambiente.

Limpieza

Parte inferior de la caja de la cortadora

Para asegurar el óptimo rendimiento, mantenga limpia la parte inferior de la caja de la cortadora. Tenga especial cuidado en mantener los deflectores limpios de escombros (Fig. 26).

Método de lavado

Siempre que necesite limpiar la parte inferior de la cortadora, siga el procedimiento siguiente para eliminar los escombros de la parte inferior de la cortadora.

1. Coloque la cortadora sobre una superficie plana de cemento o asfalto, cerca de una manguera de jardín.
2. Encienda el motor.
3. Mantenga la manguera de jardín funcionando a nivel del mango y dirija el agua para que corra en el suelo justo enfrente del neumático posterior derecho (Fig. 27). La cuchilla giratoria extraerá el agua debajo de la caja y limpiará los recortes. Deje que el agua corra durante unos minutos o hasta que no se vean recortes lavados de la parte inferior de la caja.
4. Detenga el motor
5. Cierre la manguera de jardín.
6. Vuelva a arrancar la cortadora y déjela funcionando durante unos minutos para secar la humedad de la cortadora y de sus componentes. Mientras el motor está funcionando, enganche y desenganche varias veces el sistema de tracción, con el fin de secarlos.

Método de rascado

Si el lavado no elimina toda la basura de la parte inferior de la caja, incline la cortadora y rasque la suciedad hasta que ésta quede limpia.

1. Detenga el motor y desenchufe el cable de la bujía (Fig. 7). En el modelo con arranque eléctrico, retire la llave.
2. Vacíe la gasolina del depósito de combustible. Consulte la sección “Drenaje de la gasolina”.

ADVERTENCIA

PELIGRO POTENCIAL

- La gasolina es extremadamente inflamable, altamente explosiva y, en ciertas condiciones, puede causar lesiones corporales y daños materiales.

LO QUE PUEDE SUCEDER

- Al inclinar la cortadora se puede derramar combustible del carburador o del depósito de gasolina.

COMO EVITAR EL PELIGRO

- Evite los derrames de gasolina dejando que el motor gire hasta que se seque, o vacíe el depósito con una bomba de mano, nunca con un sifón.

3. Inclina la cortadora hacia el lado izquierdo (Fig. 26).
4. Quite la suciedad y recortes de hierba adheridos a la caja con un raspador de madera dura. Tenga cuidado con las rebabas y bordes afilados.
5. Enderece la cortadora.
6. Rellene el tanque de gasolina.
7. Vuelva a conectar el cable de la bujía.

Tapa de la correa

(modelos autopropulsados solamente)

Mantenga el área situada por debajo de la tapa de la correa libre de basura.

1. Detenga el motor.
2. Con el motor apagado, quite los tornillos que aseguran la tapa de la correa a la caja de la cortadora (Fig. 28).
3. Levante la tapa y cepillar para eliminar toda la basura de las proximidades de la correa.
4. Vuelva a colocar la tapa de la correa.

Almacenamiento

Para preparar la cortadora de césped para su almacenamiento fuera de temporada, siga los procedimientos de mantenimiento recomendados. Consulte el capítulo “Mantenimiento”.

Guarde la cortadora en un lugar frío, limpio y seco. Cúbrela para mantenerla limpia y protegida.

Combustible

ADVERTENCIA

PELIGRO POTENCIAL

- Si se almacena durante un período prolongado de tiempo, la gasolina puede evaporarse.

LO QUE PUEDE SUCEDER

- El combustible evaporado puede explotar si entra en contacto con una llama desnuda.

COMO EVITAR EL PELIGRO

- No almacene gasolina (combustible) durante períodos prolongados de tiempo.
- No guarde la cortadora de césped conteniendo combustible en el depósito en un recinto cerrado con una llama desnuda. (Por ejemplo: un horno o la llama piloto de un calentador de agua)
- Espere a que se enfríe el motor antes de guardar la cortadora en un recinto cerrado.

Para un almacenamiento de larga duración, vacíe la gasolina del tanque de combustible o añádale un aditivo. Para vaciar la gasolina, consulte la sección “Drenaje de la gasolina”. Después de vaciar el combustible, encienda el motor y déjelo funcionar sin carga hasta que consuma todo el combustible y se detenga. Repita el procedimiento de arranque dos veces más para garantizar que se haya eliminado toda la gasolina del motor. Si no se vacía la gasolina, se formarán depósitos gomosos, como barniz, que causarán una operación deficiente del motor e incluso problemas de arranque.

Se puede dejar combustible en el tanque sólo si se agrega un aditivo a la gasolina, como el estabilizador/acondicionador de Toro antes de almacenar la cortadora. El estabilizador/acondicionador de Toro es un producto a base de destilado de petróleo. Toro no recomienda estabilizadores a base de alcohol, tales como el etanol, metanol o isopropilo. Use el aditivo en las cantidades recomendadas que se especifican en el recipiente.

Motor

1. Mientras el motor todavía esté caliente, vacíe el aceite del cárter. Consulte el capítulo “Mantenimiento”, sección, “Cambio del aceite del motor”.
2. Retire el cable de la bujía. Utilizando una aceitera, introduzca aproximadamente una cucharada de aceite a través del orificio de la bujía.
3. Lentamente, gire varias veces el motor usando la cuerda de arranque, para distribuir el aceite
4. Vuelva a colocar la bujía, pero NO conecte el cable de la bujía.

Limpieza

1. Limpie la cortadora. Consulte el capítulo “Mantenimiento”, sección “Limpieza”.

-
2. Elimine la basura y carbonilla del cilindro, las aletas del cabezal del cilindro y la caja de la sopladora. Quite también los recortes de hierba, suciedad y mugre de las partes externas del motor, cubierta y la parte superior de la caja de la cortadora.
 3. Limpie el filtro de aire. Consulte el capítulo "Mantenimiento", sección "Filtro de aire".

General

1. Compruebe el estado de la cuchilla. Consulte el capítulo "Mantenimiento", sección "Cuchilla".
2. Apriete todas las tuercas, pernos y tornillos.
3. Lubrique las ruedas. Consulte el capítulo "Mantenimiento", sección "Lubricación".
4. Cargue la batería. Consulte el capítulo "Mantenimiento", sección "Carga de la batería".
5. Repinte todas las superficies oxidadas o que tengan la pintura pelada.

Retirada del lugar de almacenamiento

1. Compruebe y apriete todas las piezas de sujeción.
2. Retire la bujía y, utilizando el interruptor de arranque, haga girar el motor a gran velocidad para eliminar el exceso de aceite del cilindro. Limpie la bujía o reemplácela si estuviera agrietada, rota o los electrodos estuvieran desgastados.
3. Instale la bujía y aplique un par torsor de 20 N·m (15 ft.-lbs.).
4. Efectúe los procedimientos de mantenimiento recomendados. Consulte el capítulo "Mantenimiento".
5. Llene el depósito de combustible con gasolina limpia y fresca.
6. Compruebe el nivel de aceite del motor.
7. Vuelva a conectar el cable de la bujía.

La política de Toro es diseñar y fabricar productos de la más alta calidad. Para garantizar la satisfacción del cliente, Toro ofrece una extensa cobertura de garantía para sus productos. Su producto impulsado por un Motor GTS de TORO está cubierto por dos garantías. La Garantía de Cobertura Total de Toro constituye nuestra declaración de garantía estándar y la encontrará impresa en la última hoja de este manual.

Además de la Garantía de Cobertura Total de Toro, estamos tan seguros de que el Motor GTS de TORO le proporcionará un rendimiento y durabilidad de alto nivel, que le ofrecemos una *Garantía de Arranque*. Le rogamos lea los detalles de esta garantía de cobertura adicional que aparece a continuación.

LA GARANTIA DE ARRANQUE TORO

*Una Garantía Limitada de 5 Años
en Todos los Motores GTS-5*

¿Qué está cubierto?

La Compañía Toro garantiza que su Motor GTS-5 TORO arrancará al halar la cuerda por primera o segunda vez durante cinco años desde la fecha de su adquisición—siempre y cuando se respeten los servicios de mantenimiento requeridos—o nosotros lo repararemos. Se incluye el costo de las piezas y la mano de obra, pero usted deberá pagar los costos de envío. Esto cubre los motores GTS-5 TORO para las cortadoras de césped rotatorias.

¿Qué debe hacer usted para mantener vigente la garantía?

Debe mantener su Motor GTS-5 TORO siguiendo el programa de mantenimiento recomendado en el manual del operario, a su propio costo. Se deben registrar estos servicios en el cuadro de mantenimiento suministrado en su manual del operario y conservar el comprobante de compra.

¿Cómo obtener servicio?

Si el arranque de su motor TORO GTS-5 se afectase hasta el punto de no arrancar al halar la cuerda una o dos veces un adulto normal y en buenas condiciones físicas, usted deberá seguir los siguientes procedimientos:

1. Póngase en contacto con cualquier Concesionario de Servicio Autorizado TORO, Concesionario de Servicio Maestro TORO, o Distribuidor TORO (le recomendamos consultar las Páginas Amarillas de su guía telefónica).
2. Esta persona le indicará que le entregue el producto a su taller o le recomendará otra agencia de servicio TORO autorizada que pueda serle más conveniente.
3. Llevar el producto, su historial de mantenimiento y comprobante de compra al representante de servicio.

Si, por cualquier motivo, no queda satisfecho con el análisis del Concesionario o el estado de arranque de su motor, o de la asistencia recibida, no dude en ponerse en contacto con nosotros a la siguiente dirección:

TORO Customer Service Department
8111 Lyndale Avenue South
Minneapolis, Minnesota 55420

¿Qué no está cubierto por esta garantía?

Esta garantía no cubre:

1. Reparaciones a productos usados comercialmente.
2. Mantenimiento normal, incluyendo el cambio de bujías, filtro de aire, filtro de combustible y ajustes del carburador.
3. Cambio de aceite y lubricación.
4. Reparaciones o ajustes debidos a:
 - a. No seguir los procedimientos adecuados de mantenimiento;
 - b. Que la cuchilla rotatoria golpee un objeto;
 - c. Contaminantes en el sistema de combustible;
 - d. Combustible inadecuado o mezcla inadecuada de combustible (si tiene dudas, consulte su manual del propietario)
 - e. No drenar el sistema de combustible antes de dejar la máquina desatendida durante períodos de más de tres meses;
 - f. Uso indebido, descuido o accidentes en la operación;
 - g. Reparaciones o intentos de reparaciones hechas por personas que no sean representantes de servicio TORO autorizados.
5. Condiciones operativas especiales en que tal vez haya que tirar de la cuerda más de dos veces para arrancar el motor, incluyendo:
 - a. Primer arranque después de un período prolongado sin usar o de un almacenamiento estacional;
 - b. Los arranques en temperaturas frías como las que ocurren a principios de la primavera y fines del otoño pueden requerir tirar de la cuerda una o dos veces adicionales (se aplica solamente a los productos giratorios);
 - c. Procedimientos de arranque incorrectos. Si usted confronta dificultades para arrancar su unidad, sírvase consultar el manual del operador para cerciorarse de que está siguiendo los procedimientos de arranque correctos. Esto podría evitarle una visita innecesaria al representante de servicio.

Todas las reparaciones bajo garantía reembolsables al amparo de esta garantía deben ser efectuadas por un representante de servicio TORO autorizado que use piezas de repuesto TORO aprobadas.

El remedio anterior de reparación por un representante de servicio TORO autorizado es el único recurso del comprador.

¿Qué efecto tiene la Ley Estatal sobre esta Garantía?

No hay otra garantía expresa excepto la Garantía de Cobertura Total de Toro. Todas las garantías implícitas en el momento de la compra (que el producto es adecuado para el uso ordinario) y capacidad para el uso (que el producto es adecuado para un uso en particular) están limitadas al período de duración de la garantía expresa.

Ciertos estados no permiten la limitación de la duración de la garantía implícita, por ello, es posible que la limitación anterior no se pueda aplicar a su caso en particular.

La Compañía Toro declina cualquier responsabilidad en caso de daños directos o indirectos relacionados con la utilización de los productos cubiertos por esta garantía, incluyendo cualquier coste ocasionado por el reemplazo de accesorios o las reparaciones durante un período de tiempo razonable de funcionamiento defectuoso o de no utilización.

Ciertos estados no permiten la exclusión de daños directos o indirectos, por ello, es posible que la exclusión anterior no se pueda aplicar a su caso en particular.

Esta garantía le proporciona derechos legales específicos. También se puede beneficiar de otros derechos que varían de un estado a otro.



Cortadoras
empujadas

LA GARANTIA DE RENDIMIENTO DE TORO

Garantía Completa

(Garantía limitada para aplicaciones comerciales)

¿Qué es lo que cubre esta Garantía Exprés?

Toro promete reparar cualquier producto TORO utilizado para fines residenciales normales* si hay defectos en los materiales o la mano de obra o si para de funcionar debido al fallo de un componente. Los siguientes periodos de tiempo se aplican desde la fecha de compra:

- Cortadoras empujadas Super Recycler® 5 años de completa garantía
- Las demás 2 años de completa garantía

Se incluye el coste de las piezas y el trabajo, pero el cliente paga los costes de transporte.

¿Qué productos se cubren por esta Garantía?

Esta garantía corresponde a todas las cortadoras alimentadas con gasolina empujadas por el consumidor. Los productos en que monta y los empujados para áreas anchas están cubiertos por declaraciones de garantías distintas.

¿Y qué sobre el uso comercial?

Los Productos para el Consumidor TORO que se utilicen para fines comerciales, institucionales o de alquiler están garantizados en cuanto a defectos en materiales o mano de obra. Los componentes que fallan debido al desgaste normal no están cubiertos por esta garantía. The following time periods apply from the date of purchase:

Productos	Plazo de la garantía
• Cortadoras empujadas, labor comercial, de 21 pulg.	Garantía limitada de 1 año
• Los demás	Garantía limitada de 45 días

¿Cómo se obtiene el Servicio de garantía?

Si cree que su Producto TORO precisa del servicio bajo garantía, comuníquese con el concesionario que le vendió el producto o con cualquier Concesionario de Servicio de TORO o Concesionario de Servicio Master de TORO Autorizado. Las Páginas Amarillas de la lista de teléfonos es una buena fuente de referencia. El concesionario dispondrá el servicio en su propio establecimiento o recomendará otro Concesionario de servicio autorizado que pueda ser más conveniente. Usted necesitará presentar pruebas de la compra (copia de la tarjeta de registro, recibo de venta, etc.) para validar la garantía.

Si por cualquier razón no está satisfecho con el análisis del Concesionario de servicio sobre el defecto en materiales o mano de obra o si necesita referencias para un Concesionario de servicio TORO, sírvase ponerse en contacto con nosotros en la siguiente dirección:

Toro Customer Service Department
8111 Lyndale Avenue South
Bloomington, MN 55420-1196
612-888-8801
800-348-2424

¿Qué debe usted hacer para mantener la garantía en vigor?

Debe mantener su producto TORO siguiendo los procedimientos de mantenimiento descritos en el manual del operador. Dicho mantenimiento de rutina, realizado por un concesionario o por usted mismo, es a su cargo.

¿Qué es lo que no cubre esta garantía?

y ¿Cómo se relaciona la ley de su país a esta garantía?

No hay garantías explícitas adicionales a excepción de la Garantía de Arranque de TORO para los motores GTS. Esta garantía exprés no cubre:

- El coste del servicio de mantenimiento normal o las piezas, tales como filtros, combustible, lubricantes, cambios de aceite, bujías, afilado de cuchillas, cuchillas muy estropeadas, ajustes de cable/varillaje o ajustes de frenos y embrague.
- Cualquier producto o pieza que haya sido alterado o mal utilizado o requiera ser sustituido o reparado debido a accidentes o falta del adecuado mantenimiento.
- Reparaciones necesarias debido a combustible inadecuado, contaminantes en el sistema de combustible, o fallo para preparar debidamente el sistema de combustible antes de cualquier periodo de no utilización superior a tres meses.
- Gastos de recogida y entrega.

Todas las reparaciones cubiertas por esta garantía deben ser efectuadas por un Concesionario de servicio TORO autorizado utilizando piezas de repuesto homologadas Toro.

La reparación por un Concesionario de servicio TORO autorizado es su único remedio bajo esta garantía.

Toro no es responsable por daños indirectos, incidentales o emergentes en conexión con el uso de los productos TORO cubiertos por esta garantía, incluyendo cualquier coste o gasto de proveer equipo sustitutivo o servicio durante razonables periodos de funcionamiento defectuoso o no uso durante la realización de reparaciones bajo esta garantía. Algunos países no permiten exclusiones de daños incidentales o emergentes, de modo que la exclusión anterior puede que no se aplique a usted.

Esta garantía le concede determinados derechos legales, pero puede usted tener también otros derechos que varíen de país a país.

* Fines residenciales normales significa cortando el césped en la misma parcela que su casa. La utilización en más de un lugar se considera como uso comercial y se aplicaría la garantía de uso comercial.

PAISES QUE NO SEAN LOS ESTADOS UNIDOS O CANADA

Los clientes que hayan adquirido los productos Toro exportados de los Estados Unidos o de Canadá, deben establecer contacto con su distribuidor (concesionario) local Toro para obtener los criterios de garantía para su país, provincia o estado. Si, por alguna razón, no está satisfecho con la asistencia de su distribuidor o tiene dificultades para obtener la información relativa a la garantía, póngase en contacto con el importador Toro. Si, a pesar de todo, no obtiene la información necesaria, póngase en contacto directo con la compañía Toro.