



Count on it.

Parts Catalog

**Commercial Walk-Behind Mower
16HP, T-Bar, Hydro Drive with 91cm TURBO
FORCE® Cutting Unit**

Model No. 30071—Serial No. 315000001 and Up



Ordering Replacement Parts

To order replacement parts, please supply the part number, the quantity, and the description of each part desired.

Understanding Reference Numbers

Each identified part in an illustration has a reference number. The reference number for a part also appears in the parts list, along with other information about the part.

This catalog uses two special reference number formats, one to indicate parts in a service assembly and another to indicate the quantity of a given part in an illustration.

Service Assembly Reference Numbers

Parts in service assemblies have reference numbers in the form a:b. The a represents the reference number of the entire service assembly and the b represents a sequential number unique to each part within the service assembly.

For example, a wheel assembly might be identified by reference number 6, the tire by 6:1, the valve by 6:2, and the wheel by 6:3. When you order the assembly identified by reference number 6, you receive all parts identified by reference numbers 6:1, 6:2, and 6:3. However, you may also order any part individually. Reference numbers of this type appear in illustration and in parts lists.

Reference Numbers Indicating Quantity

In an illustration, if a reference number indicates more than one part, the reference number has the form nX y. The n represents the quantity of the part, the X is the multiplication symbol, and the y represents the reference number.

For example, in an illustration, the reference number 2X 37 means that two of the parts identified by reference number 37 are indicated.

List of Abbreviations

AR: as required

ASM: assembly

BBC: blade brake control

BHTF: button head thread forming

CARR: carriage

CCW: counter clockwise

CW: clockwise

DEG: degrees

DPA: Dual Point Adjustment

ECM: electronic control module

EXT: external

FH: flat head

GA: gauge

HD: heavy-duty

HF: hex flange

HH: hex head

HHF: hex head flange

HHFTF: hex head flange thread forming

HJ: hex jam

HLH: hex lag head

HOC: height-of-cut

HP: high pressure

HSBH: hex socket button head

HSFH: hex socket flat head

HSH: hex socket head

HWH: hex washer head

HWHTF: hex washer head thread forming

HYD: hydraulic

LH: left hand

LP: low pressure

LPG: Liquefied Petroleum Gas

NI: nylon insert

NPTF: national pipe thread fine

PFH: phillips flat head

PPH: phillips pan head

PPHTF: phillips pan head thread forming

PRH: phillips round head

PTH: phillips truss head

PTO: power-take-off

RH: right hand

ROPS: roll-over protection system

RRB: rear roller brush

SFH: slotted fillister head

SHH: slotted hex head

SHWH: slotted hex washer head

SPH: slotted pan head

SQH: square head

SRH: slotted round head

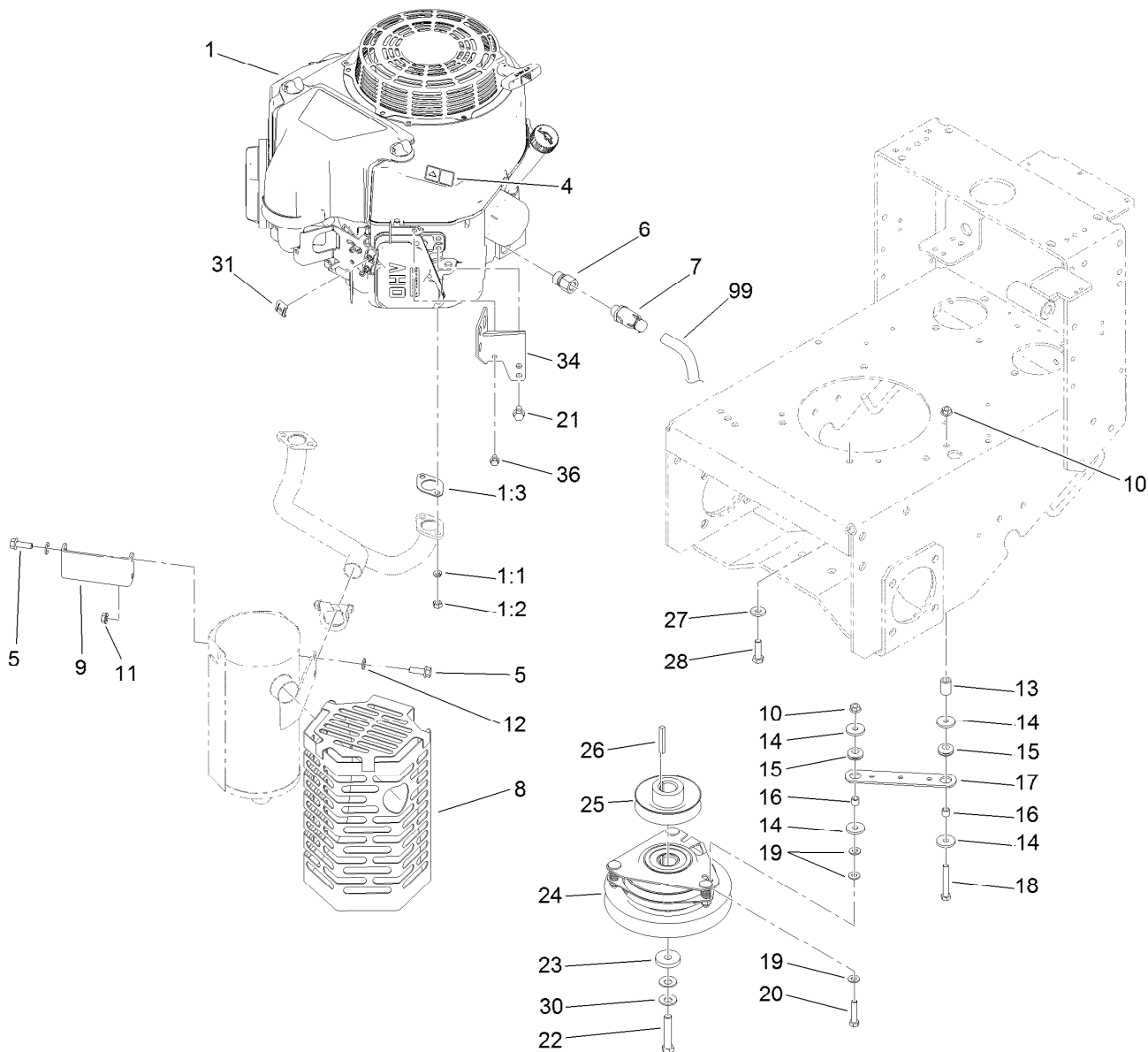
STD: standard

TAP: self tapping

TTH: torx truss head

Contents

Engine and Clutch Assembly	4
Fuel System Assembly	5
Ground Drive Assembly	6
Hydraulic Motor Assembly No. 104-1171	7
Hydraulic System Assembly	8
Hydraulic Pump Assembly No. 115-4480	10
Hydraulic Pump Assembly No. 115-4481	11
Hydraulic Hose Assembly	12
Upper Control Assembly	13
Control Panel Assembly	14
Electrical System Assembly	15
Parking Brake Assembly	16
Power-Take-Off Idler Assembly	17
Carrier Frame Assembly	18
Deck Drive and Baffle Assembly	19
Deck Decal Assembly No. 115-4230	20
Spindle Assembly No. 110-6950	21
Spindle Assembly No. 110-0728	22
Deck Deflector, Roller and Cover Assembly	23
Deflector Assembly No. 110-0790	24
Attachments and Accessories	25



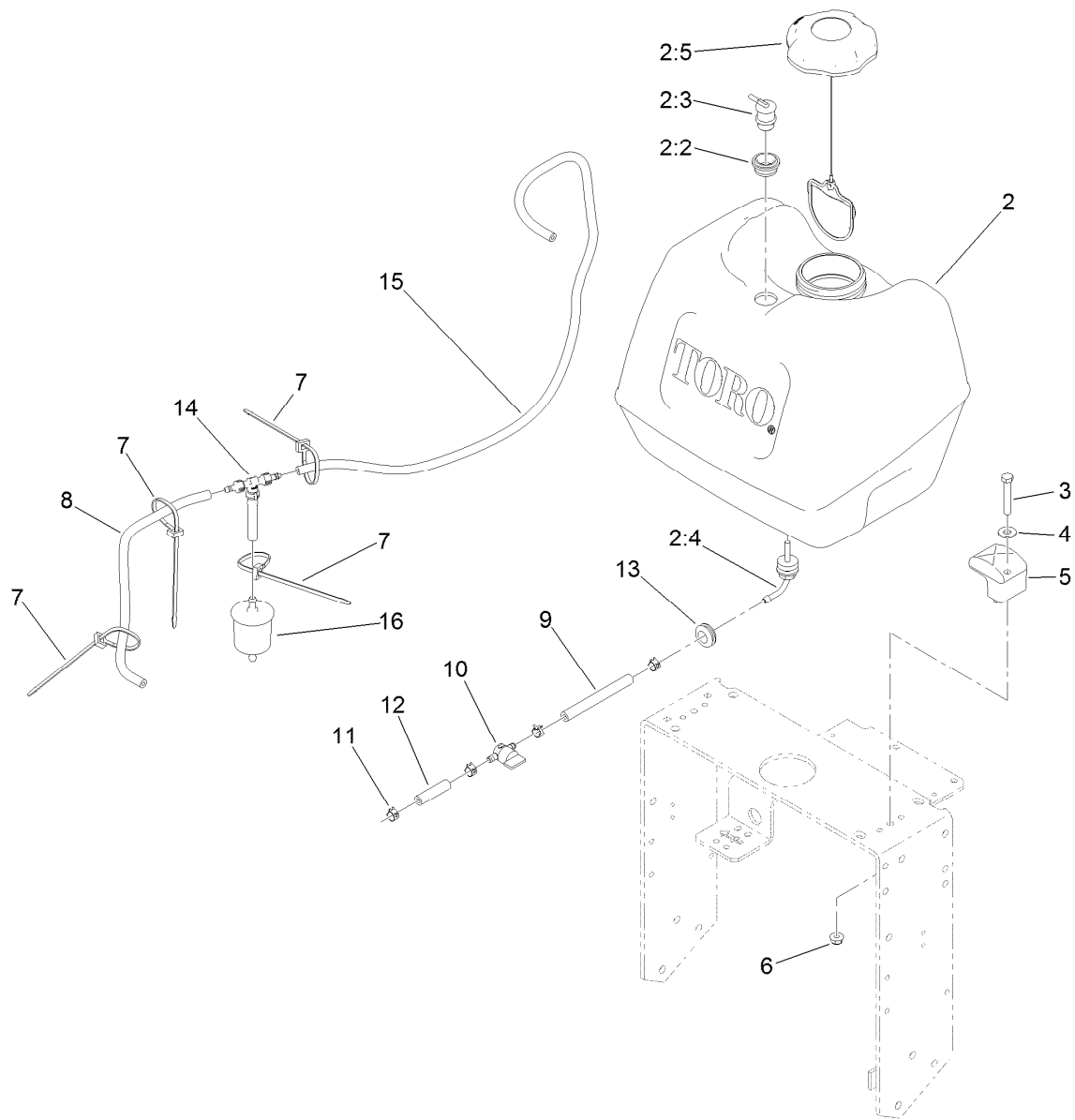
Engine and Clutch Assembly

Ref.	Part Number	Qty.	Description
1		1	Engine-Kawasaki, Fs481V ●■
1:1	114-3550	4	Washer-Lock, Spring
1:2	114-3549	4	Nut
1:3	1-653313	2	Gasket-Exhaust
4	106-5517	1	Decal-Warning, Hot Surface
5	33104-025	4	Screw-HHF
6	103-1966	1	Adapter
7	120-4321	1	Valve-Drain, Oil
8	119-3629-03	1	Shield-Muffler
9	119-3635-03	1	Bracket-Shield, Muffler
10	32128-20	2	Nut-HF
11	117-1350	4	Nut-HF, Lock
12	1-303334	4	Washer-Spring
13	104-6373	1	Tube-Retainer
14	1-613235	4	Washer
15	1-633630	2	Grommet
16	1-633545	2	Spacer

Ref.	Part Number	Qty.	Description
17	1-633543-03	1	Strap-Clutch, Brake
18	322-11	1	Screw-HH
19	3256-23	3	Washer-Flat
20	322-7	1	Screw-HH
21	33104-016	2	Screw-HHF
22	3212-9	1	Screw-HH
23	107-4136	1	Washer
24	105-2635	1	Clutch / Brake ASM
25	44-5940	1	Pulley
26	608006	1	Key-Square
27	98-5975	4	Washer-Belleville
28	323-7	4	Screw-HH
30	1-603610	2	Washer-Spring
31	81-1690	1	Clamp-Cable
34	117-8561-03	1	Bracket-Muffler
36	33103-012	1	Screw-HHF
99	103-1964	1	Hose-Drain, Oil

● Not serviced separately

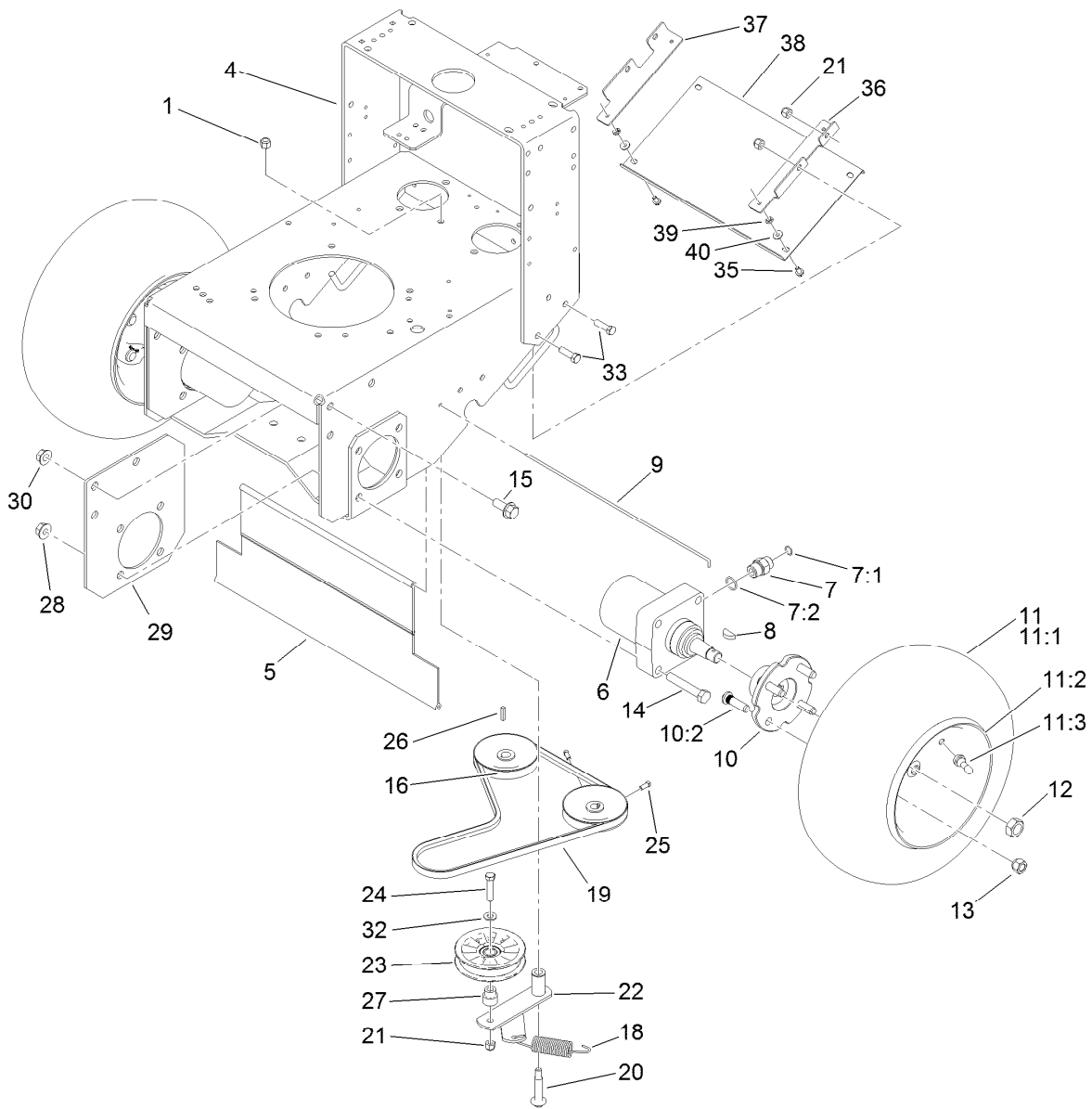
■ Obtain parts from www.kawpowerpc.com



Fuel System Assembly

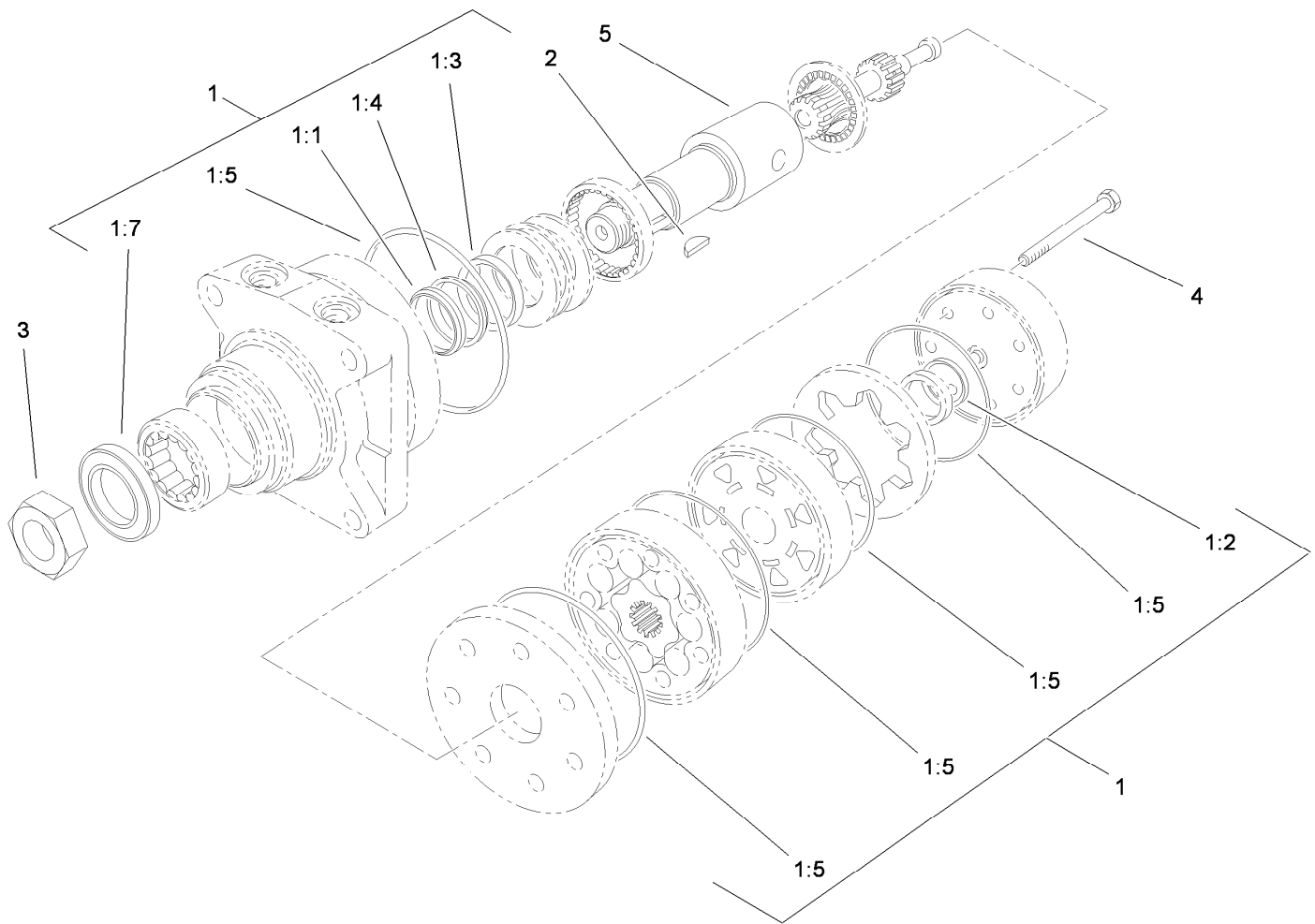
Ref.	Part Number	Qty.	Description
2	126-1526	1	Fuel Tank ASM
2:2	114-0284	1	Grommet
2:3	119-3547	1	Valve-Vent, Fuel
2:4	103-2605	1	Fitting-Fuel, Bulkhead
2:5	120-5461	1	Cap-Fuel, Ratcheting
3	322-10	2	Screw-HH
4	3256-3	2	Washer-Flat
5	107-4543	2	Clamp
6	104-8300	2	Nut-Flange, NI
7	3290-378	4	Tie-Cable

Ref.	Part Number	Qty.	Description
8	115-7872	1	Hose-Fuel
9	109-0650	1	Hose-Fuel
10	1-603770	1	Valve-Fuel
11	2412-98	4	Clamp-Hose
12	99-9415	1	Hose-Fuel
13	112-7069	1	Grommet
14	116-5464	1	Tee And Check
15	116-4346	1	Hose-Emissions
16	120-2235	1	Filter-Fuel



Ground Drive Assembly

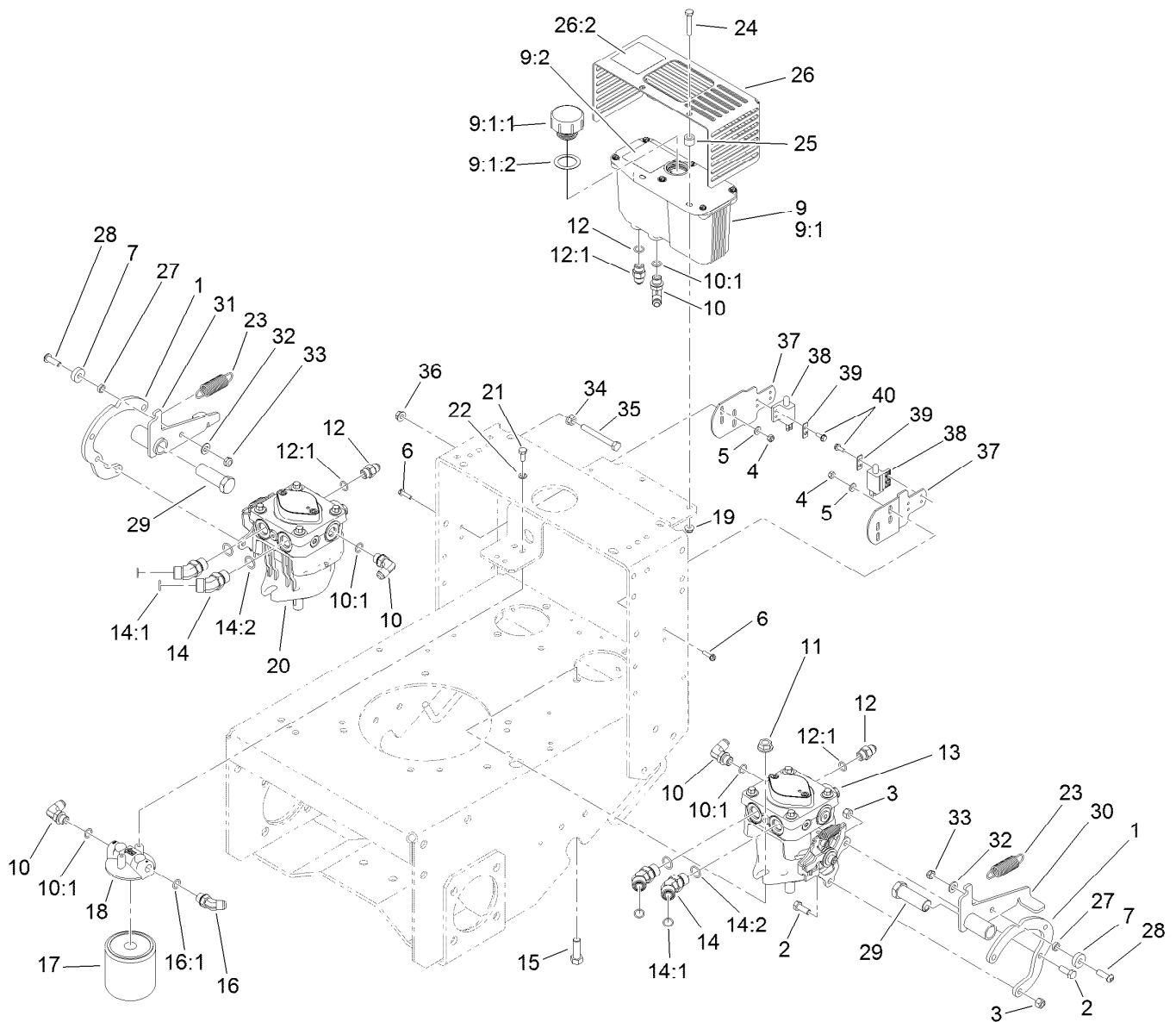
Ref.	Part Number	Qty.	Description	Ref.	Part Number	Qty.	Description
1	3296-6	1	Nut-Lock	19	110-5049	1	Belt-V
4	117-3528-01	1	Frame-Hydro	20	27-6230	1	Bolt-Wheel
5	95-1526	1	Shield-Trailing	21	3296-39	5	Nut-Lock, NI
6	104-1171	2	HYD Motor ASM	22	86-4770	1	Idler Lever ASM
7	340-6	4	Fitting-HYD, Straight	23	109-4077	1	Pulley-Idler, Flat
7:1	237-30	1	O-Ring	24	323-9	1	Screw-HH
7:2	237-80	1	O-Ring	25	120-6467	4	Screw-Set, SQH
8	3257-8	2	Key-Woodruff	26	1-807272	2	Key
9	95-1529	1	Rod-Shield	27	1-603496	1	Bushing-Idler
10	105-0800	2	Wheel Hub ASM	28	32128-49	8	Nut-HHF
10:2	10-6830	4	Stud-Type, Drive	29	108-6657-01	2	Plate-Frame
11	106-0892	2	Wheel And Tire ASM	30	32128-23	6	Nut-HF
11:1	104-6322	1	Tire	32	3256-24	1	Washer-Flat
11:2	106-0893	1	Wheel	33	323-7	4	Screw-HH
11:3	232-27	1	Stem-Valve	35	32144-4	4	Screw-HWH
12	85-7310	2	Nut-Motor, Wheel	36	110-5012-01	1	Angle-Mounting, Left
13	242-50	8	Nut-Lug	37	110-5013-01	1	Angle-Mounting, Right
14	325-12	8	Screw-HH	38	110-5014-01	1	Panel-Bottom
15	3234-32	6	Screw-HHF	39	106-8737	4	Nut-Retainer
16	105-5648	2	Pulley-Pump	40	3256-1	4	Washer-Flat
18	68-9950	1	Spring-Traction				



Hydraulic Motor Assembly No. 104-1171

Ref.	Part Number	Qty.	Description
1	1-000119	1	Seal Kit
1:1		1	Ring-Back Up ●
1:2		1	Seal-Commutator ●
1:3		1	Seal-Shaft (Viton) ●
1:4		1	Washer-Back Up, Steel ●
1:5		5	Ring-Seal (Viton) ●
1:7		1	Seal-Dirt And Water ●
2	3257-8	1	Key-Woodruff
3	85-7310	1	Nut-Motor, Wheel
4	106-5549	6	Bolt-Special
5	106-8764	1	Shaft-Coupling

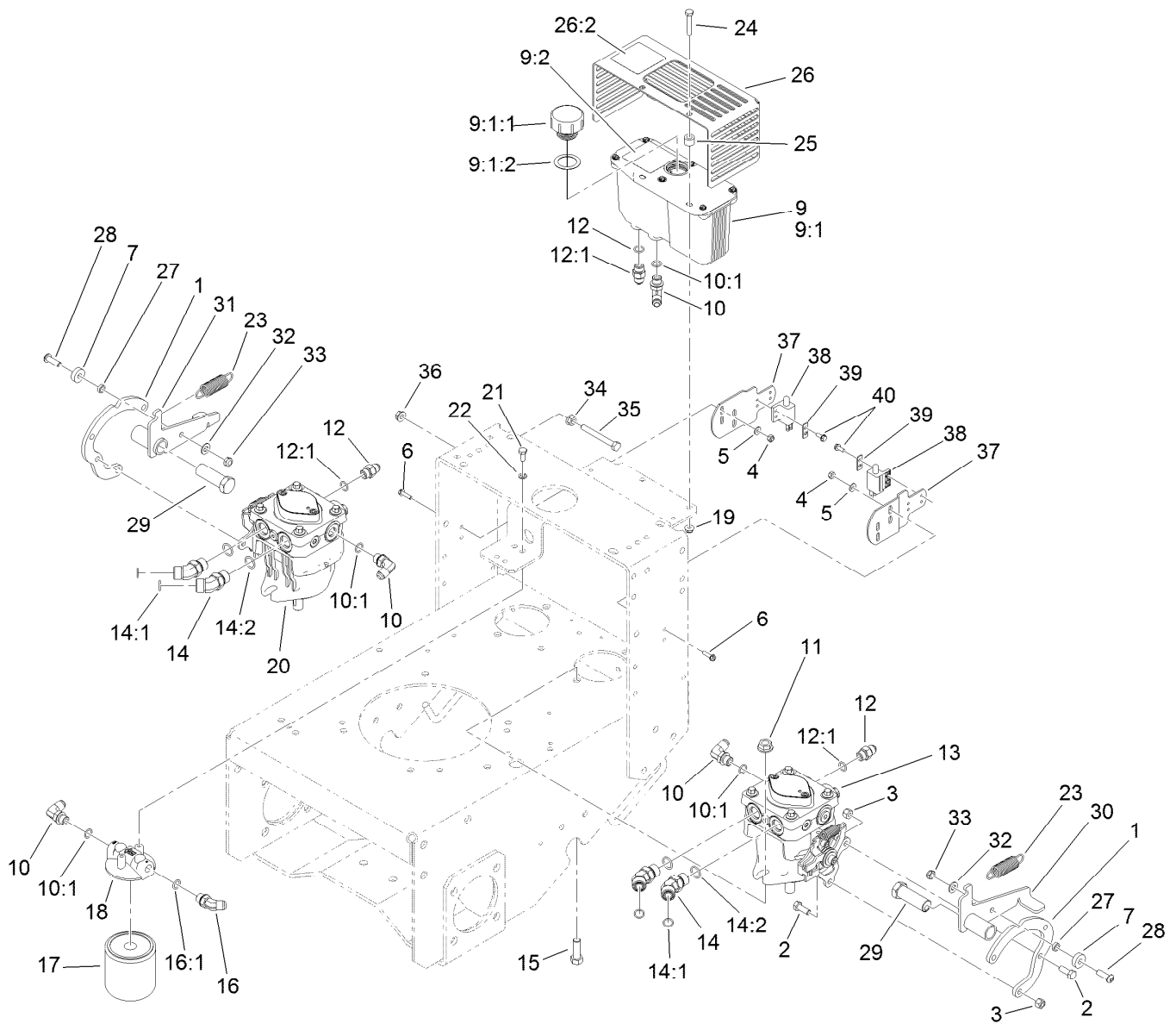
● Not serviced separately



Hydraulic System Assembly

Ref.	Part Number	Qty.	Description	Ref.	Part Number	Qty.	Description
1	112-9722	2	Bracket-Adapter, Pump	14	340-101	4	Fitting-HYD, 45 DEG
2	322-4	4	Screw-HH	14:1	237-30	1	O-Ring
3	3296-29	4	Nut-Lock, NI	14:2	237-79	1	O-Ring
4	3296-2	4	Nut-Lock, NI	15	324-5	4	Screw-HH
5	3256-14	4	Washer-Flat	16	353-212	1	Fitting-Elbow, 45 DEG
6	32105-13	4	Screw-HWH	16:1	237-42	1	O-Ring
7	251-259	2	Bearing-Ball	17	1-633750	1	Filter-Oil, HYD
9	107-8433	1	HYD Reservoir ASM	17	1-633752	1	Filter-Oil, HYD (Winter)
9:1		1	Reservoir-HYD ●	18	104-7836	1	Head-Filter
9:1:1	103-1948	1	Cap-Reservoir, HYD	19	104-7201	2	Nut-HF
9:1:2	103-1949	1	Gasket-Cap	20	115-4481	1	HYD Pump ASM
9:2	115-4212	1	Decal-Warning	21	321-3	2	Screw-HH
10	353-374	4	Fitting-Elbow, 90 DEG	22	3253-3	2	Washer-Lock
10:1	237-42	1	O-Ring	23	105-1210	2	Spring-Extension
11	32128-42	4	Nut-HF	24	321-9	2	Screw-HH
12	353-384	3	Fitting-Straight	25	105-3619	2	Spacer
12:1	237-42	1	O-Ring	26	112-7060	1	Shield ASM
13	115-4480	1	HYD Pump ASM	26:2	115-4212	1	Decal-Warning

● Not serviced separately

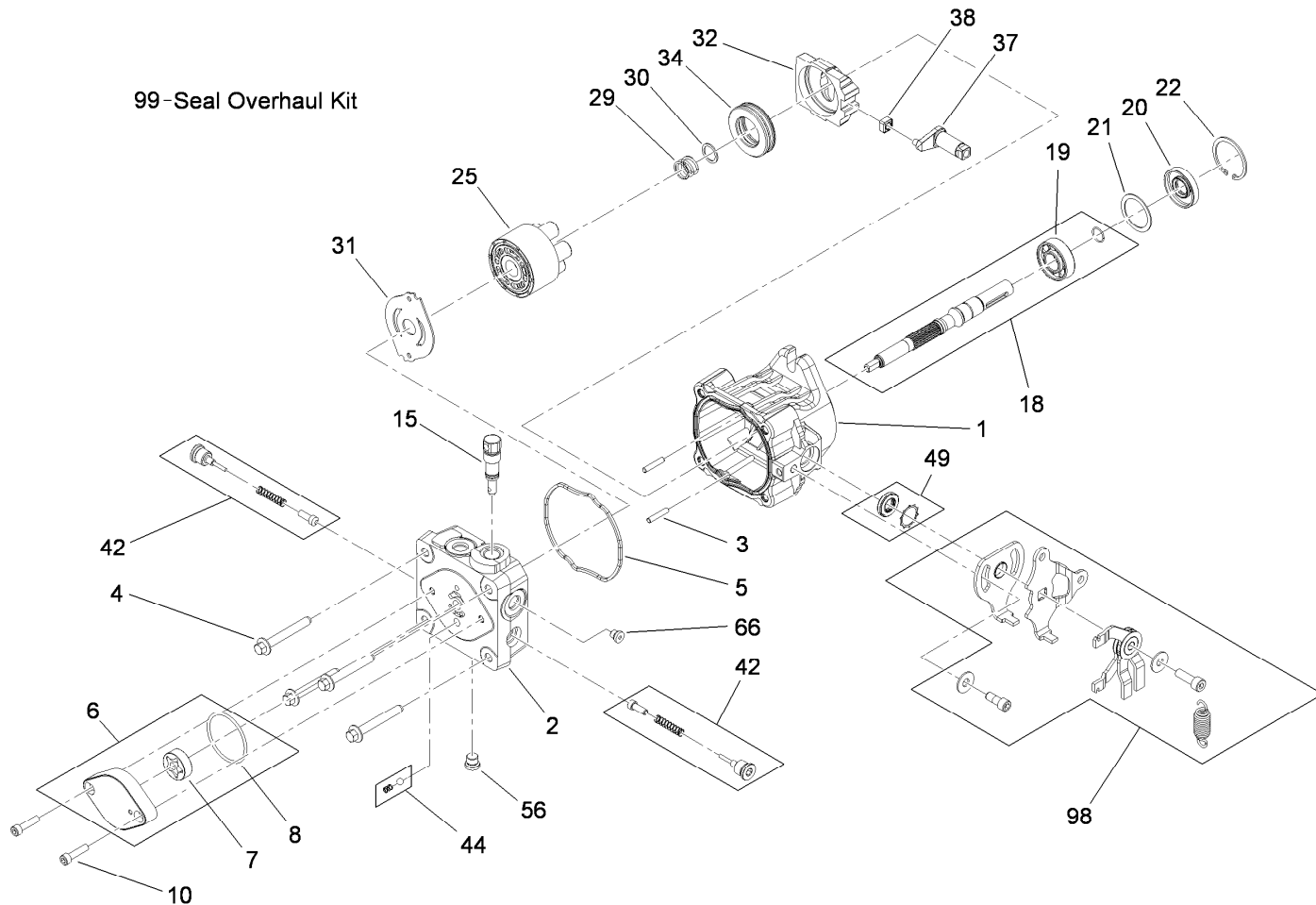


Hydraulic System Assembly (continued)

<i>Ref.</i>	<i>Part Number</i>	<i>Qty.</i>	<i>Description</i>	<i>Ref.</i>	<i>Part Number</i>	<i>Qty.</i>	<i>Description</i>
27	82-4240	2	Spacer-Bearing	34	109-5715	2	Nut-HHF, Smooth
28	3274-104	2	Screw-HSBH	35	322-13	2	Screw-HH
29	112-9724	2	Pin-Adjustment, Neutral	36	32128-25	2	Nut-HF
30	112-9725	1	LH Detent Arm ASM	37	112-9723-01	2	Bracket-Neutral
31	112-9726	1	RH Detent Arm ASM	38	1-513152	2	Switch-Closed, Normally
32	3256-23	2	Washer-Flat	39	82-4570	2	Plate-Switch
33	3296-47	2	Nut-Lock, NI	40	32144-1	4	Screw-Taptite

● Not serviced separately

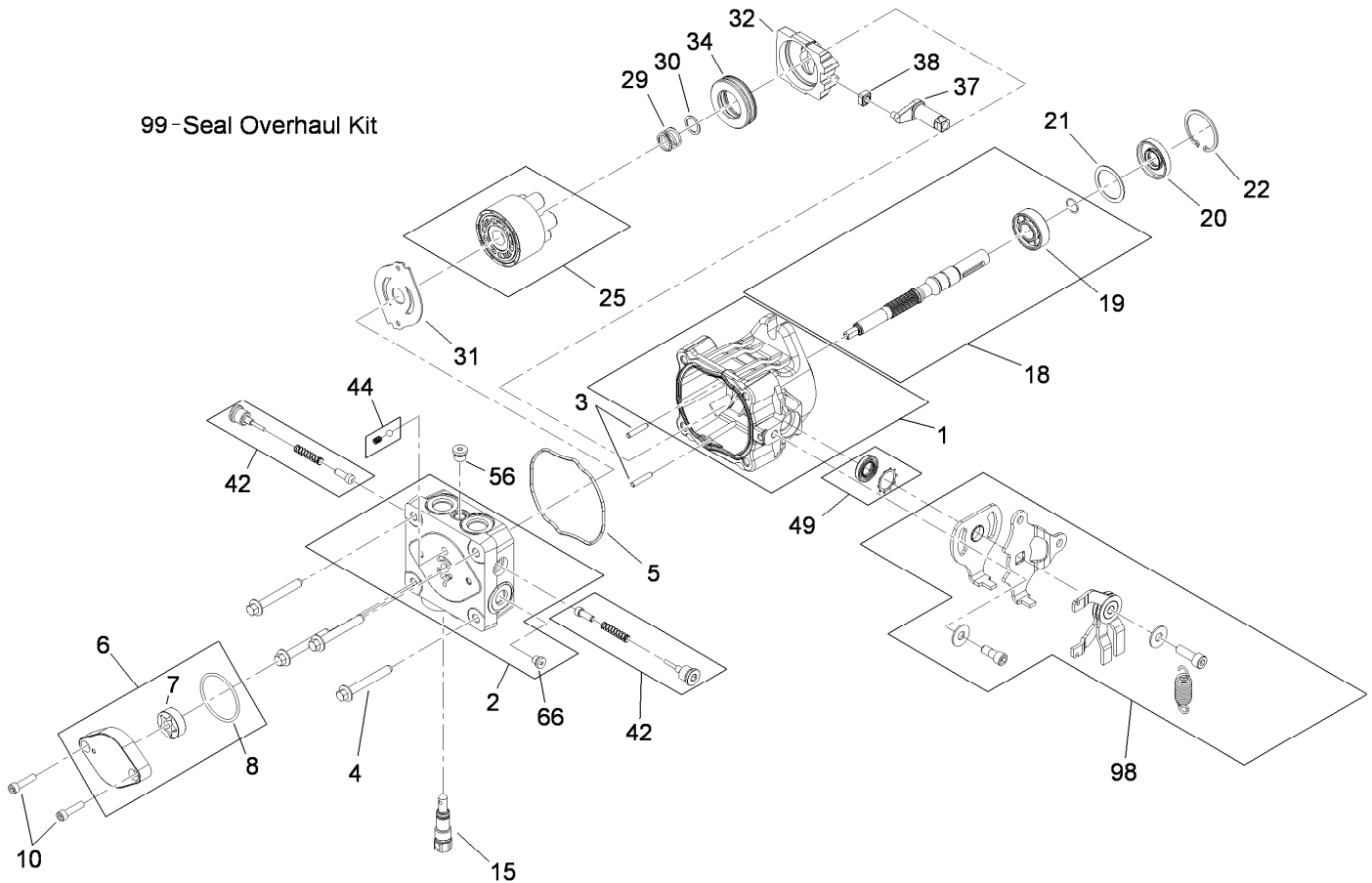
99-Seal Overhaul Kit



Hydraulic Pump Assembly No. 115-4480

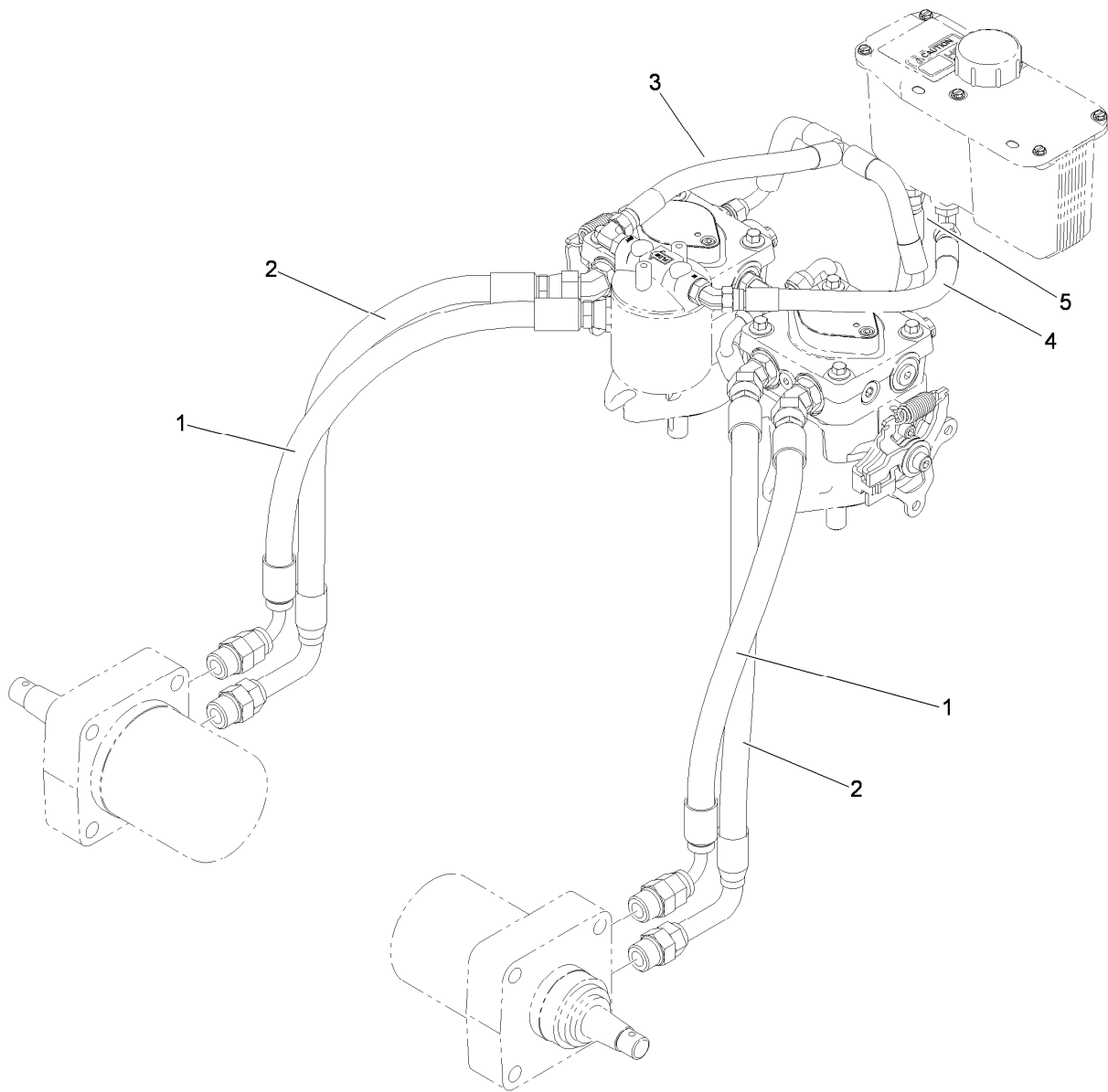
Ref.	Part Number	Qty.	Description	Ref.	Part Number	Qty.	Description
1	115-4464	1	Housing Kit	29	94-1936	1	Spring-Block
2	106-8752	1	End Cap Kit (W/Poppets)	30	94-1937	1	Washer-Thrust
3	106-8753	2	Pin-Headless, Straight	31	105-6185	1	Plate-Valve
4	106-8754	4	Bolt-HF	32	94-1907	1	Swashplate-Variable
5	106-8755	1	O-Ring	34	94-6922	1	Bearing-Thrust
6	106-8756	1	Charge Pump Kit	37	115-4458	1	Arm-Trunnion, Tapered Square
7	104-2122	1	Gerotor ASM	38	94-1910	1	Guide-Slot
8	106-8757	1	O-Ring	42	98-3252	2	Valve-Check (W/Poppet)
10	104-2111	2	Capscrew	44	106-8760	1	Charge Relief Valve Kit
15	106-8759	1	Bypass Valve Kit	49	114-8155	1	Trunnion Seal Kit
18	103-2664	1	Input Shaft Kit	56	106-8762	1	Plug-HSH
19	104-5311	1	Bearing-Ball	66	106-8763	1	Plug-HSH
20	104-5310	1	Seal-Lip	98	115-4459	1	Kit-Return
21	104-5308	1	Spacer	99	105-6184	1	Seal Overhaul Kit
22	104-5309	1	Ring-Retaining				
25	103-2666	1	Cylinder Block Kit				

99-Seal Overhaul Kit



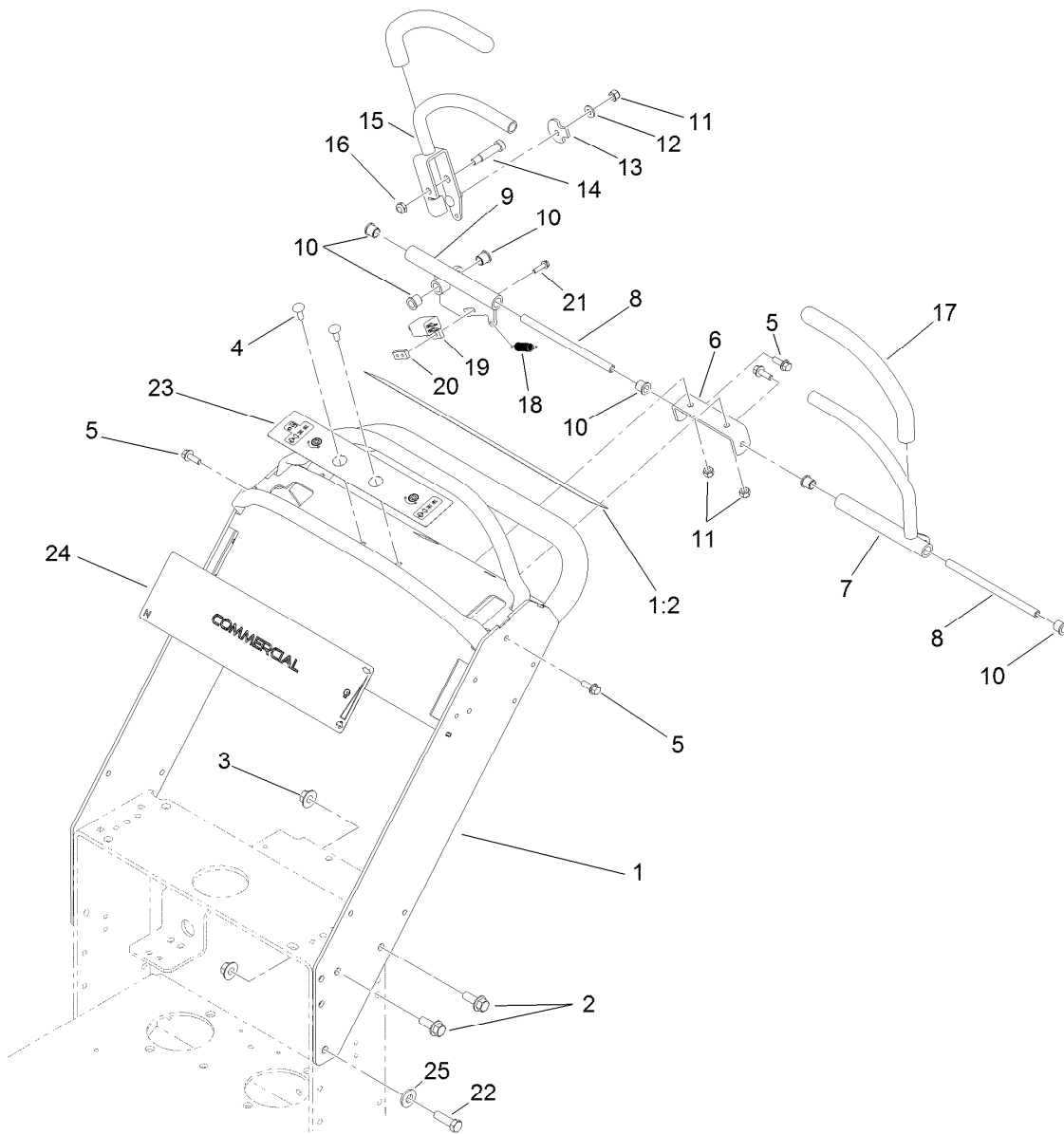
Hydraulic Pump Assembly No. 115-4481

Ref.	Part Number	Qty.	Description	Ref.	Part Number	Qty.	Description
1	115-4464	1	Housing Kit	29	94-1936	1	Spring-Block
2	106-8752	1	End Cap Kit (W/Poppets)	30	94-1937	1	Washer-Thrust
3	106-8753	2	Pin-Headless, Straight	31	105-6185	1	Plate-Valve
4	106-8754	4	Bolt-HF	32	94-1907	1	Swashplate-Variable
5	106-8755	1	O-Ring	34	94-6922	1	Bearing-Thrust
6	106-8756	1	Charge Pump Kit	37	115-4458	1	Arm-Trunnion, Tapered Square
7	104-2122	1	Gerotor ASM	38	94-1910	1	Guide-Slot
8	106-8757	1	O-Ring	42	98-3252	2	Valve-Check (W/Poppet)
10	104-2111	2	Capscrew	44	106-8760	1	Charge Relief Valve Kit
15	106-8759	1	Bypass Valve Kit	49	114-8155	1	Trunnion Seal Kit
18	103-2664	1	Input Shaft Kit	56	106-8762	1	Plug-HSH
19	104-5311	1	Bearing-Ball	66	106-8763	1	Plug-HSH
20	104-5310	1	Seal-Lip	98	115-4459	1	Kit-Return
21	104-5308	1	Spacer	99	105-6184	1	Seal Overhaul Kit
22	104-5309	1	Ring-Retaining				
25	103-2666	1	Cylinder Block Kit				



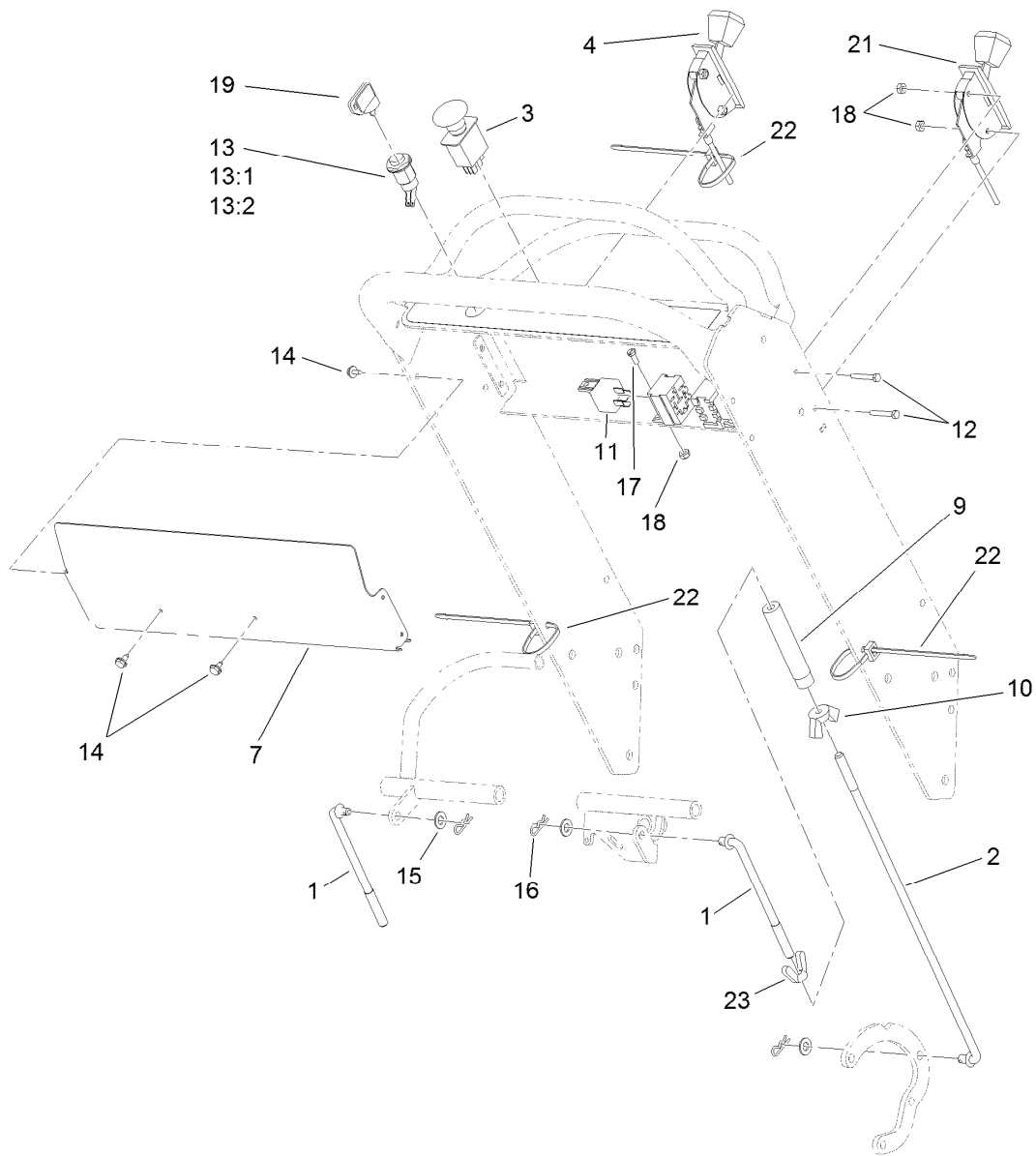
Hydraulic Hose Assembly

<i>Ref.</i>	<i>Part Number</i>	<i>Qty.</i>	<i>Description</i>
1	112-9704	2	HYD Hose ASM
2	114-3430	2	HYD Hose ASM
3	105-5697	1	HYD Hose ASM
4	105-5699	1	HYD Hose ASM
5	114-3434	1	HYD Hose ASM



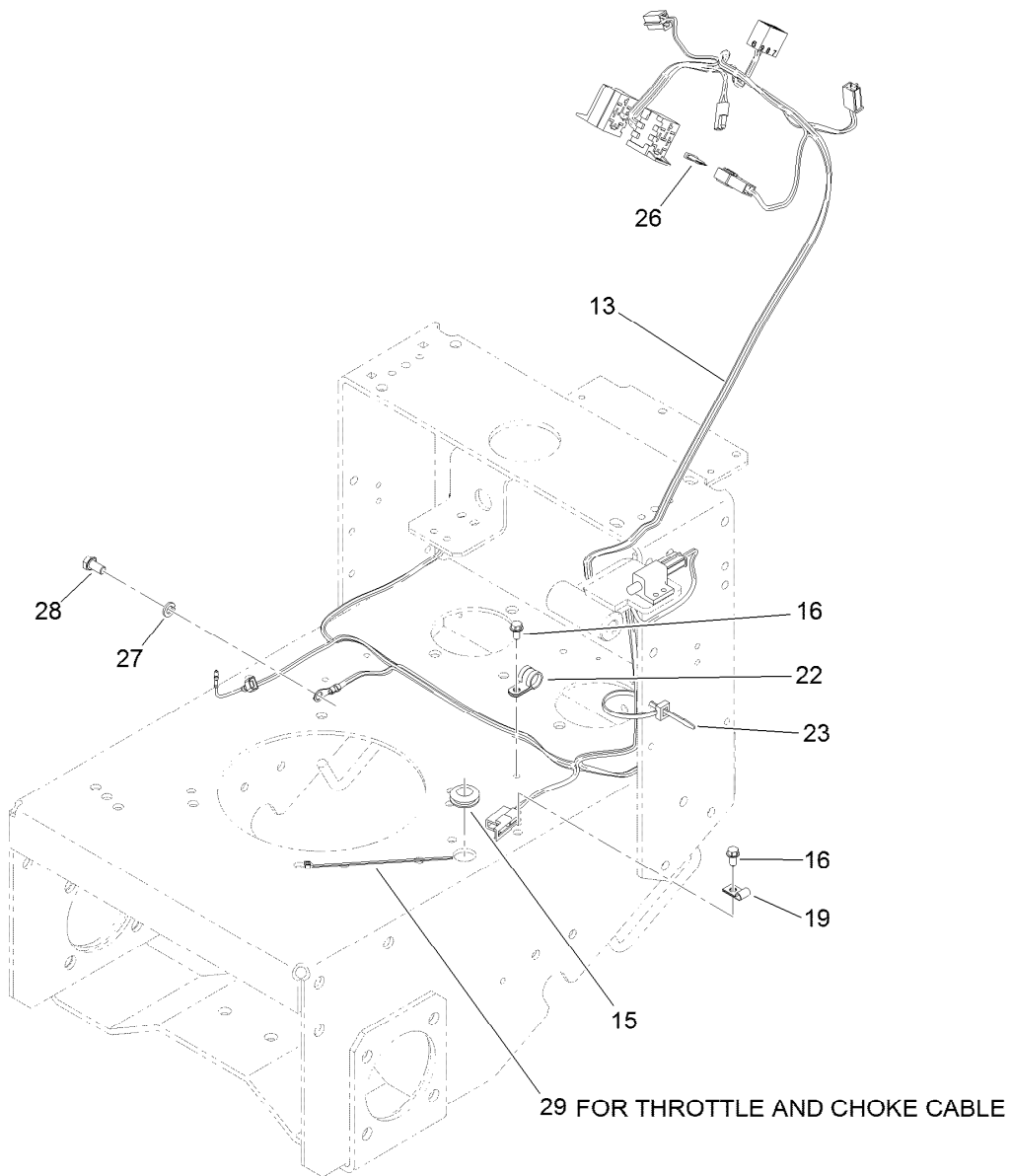
Upper Control Assembly

Ref.	Part Number	Qty.	Description	Ref.	Part Number	Qty.	Description
1	114-3437	1	Handle ASM	13	114-0268	1	Cam-Lever
1:2	114-3422	1	Decal-Warning, Control	14	114-0239	1	Screw-HSH
2	3234-11	4	Screw-HHF	15	114-0238-03	1	Lever
3	32128-21	4	Nut-HF	16	3296-47	1	Nut-Lock, NI
4	3229-1	2	Bolt-CARR	17	119-0222	2	Grip
5	3234-4	4	Screw-HHF	18	114-0249	1	Spring-Extension
6	114-0235	1	Bracket-Support	19	1-513152	1	Switch-Closed, Normally
7	114-0272-03	1	Lever-Control	20	1-633181	1	Plate-Tapped
8	119-1885	2	Shaft-Pivot, Motion Control	21	32105-13	2	Screw-HWH
9	114-0234	1	Motion Control ASM	22	323-7	2	Screw-HH
10	103-9928	6	Bearing	23	114-3424	1	Decal-Control
11	3296-42	3	Nut-Lock, NI	24	114-3442	1	Decal-Panel, Control
12	3256-22	1	Washer-Flat	25	98-5975	2	Washer-Belleville



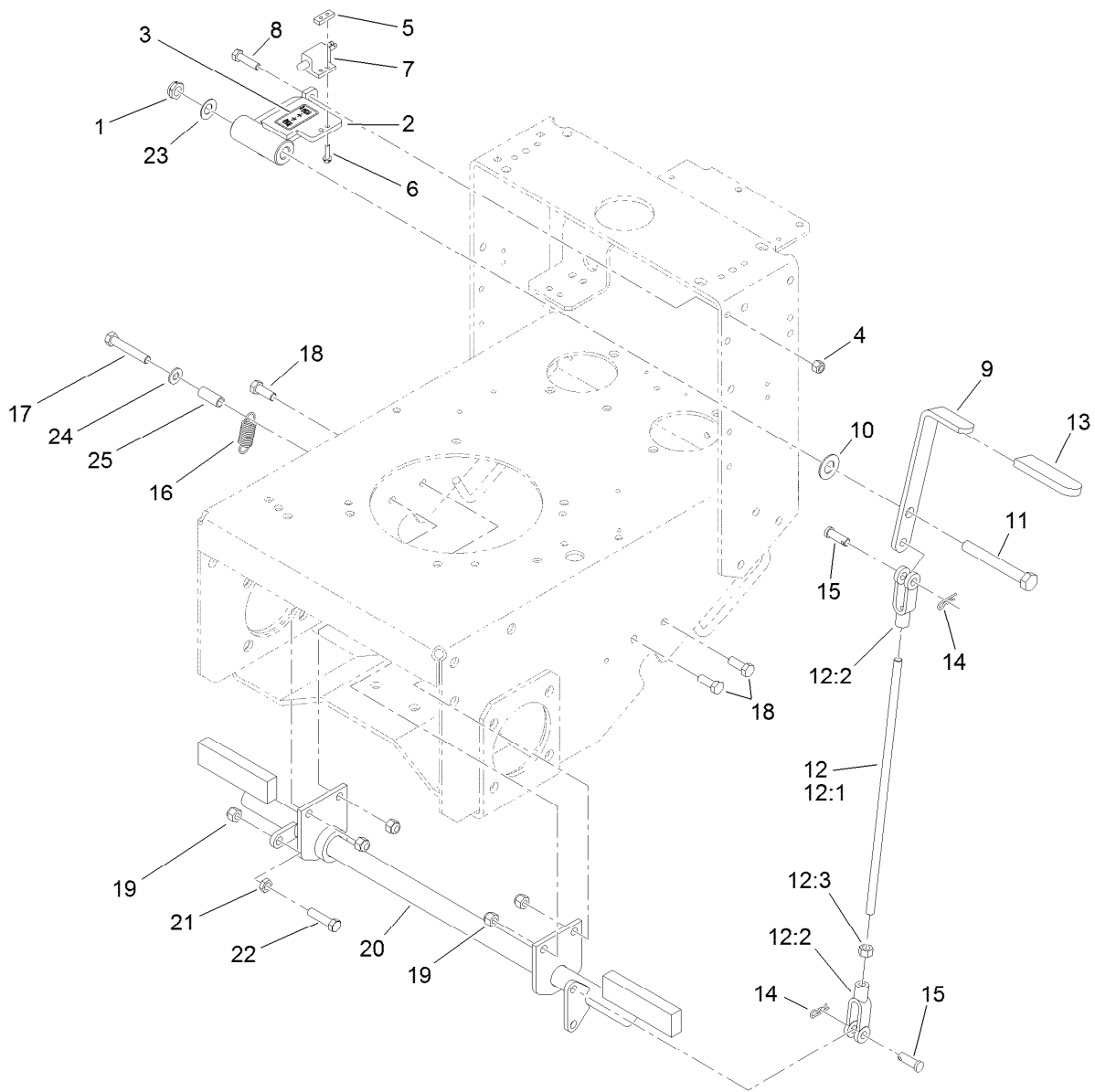
Control Panel Assembly

<i>Ref.</i>	<i>Part Number</i>	<i>Qty.</i>	<i>Description</i>	<i>Ref.</i>	<i>Part Number</i>	<i>Qty.</i>	<i>Description</i>
1	114-0275	2	Rod-Control, Upper	13:2	3254-5	1	Washer-Tooth, Internal
2	114-0276	2	Rod-Control, Lower	14	32104-76	4	Screw-HWHTF
3	114-0279	1	Switch-PTO	15	3256-23	4	Washer-Flat
4	119-6539	1	Cable-Throttle	16	3290-307	4	Pin-Hair
7	114-0270-03	1	Cover-Panel, Control	17	32105-8	2	Screw-SHH
9	95-1504	2	Turnbuckle	18	3296-2	6	Nut-Lock, NI
10	32103-3	2	Nut-Wing	19	63-8360	1	Key-Ignition
11	105-4145	2	Relay	21	110-4995	1	Cable-Choke
12	3290-360	4	Screw-HH	22	3290-378	2	Tie-Cable
13	29-5560	1	Switch-On / Off	23	114-0281	2	Nut-Wing, LH
13:1	218-461	1	Nut-HH				



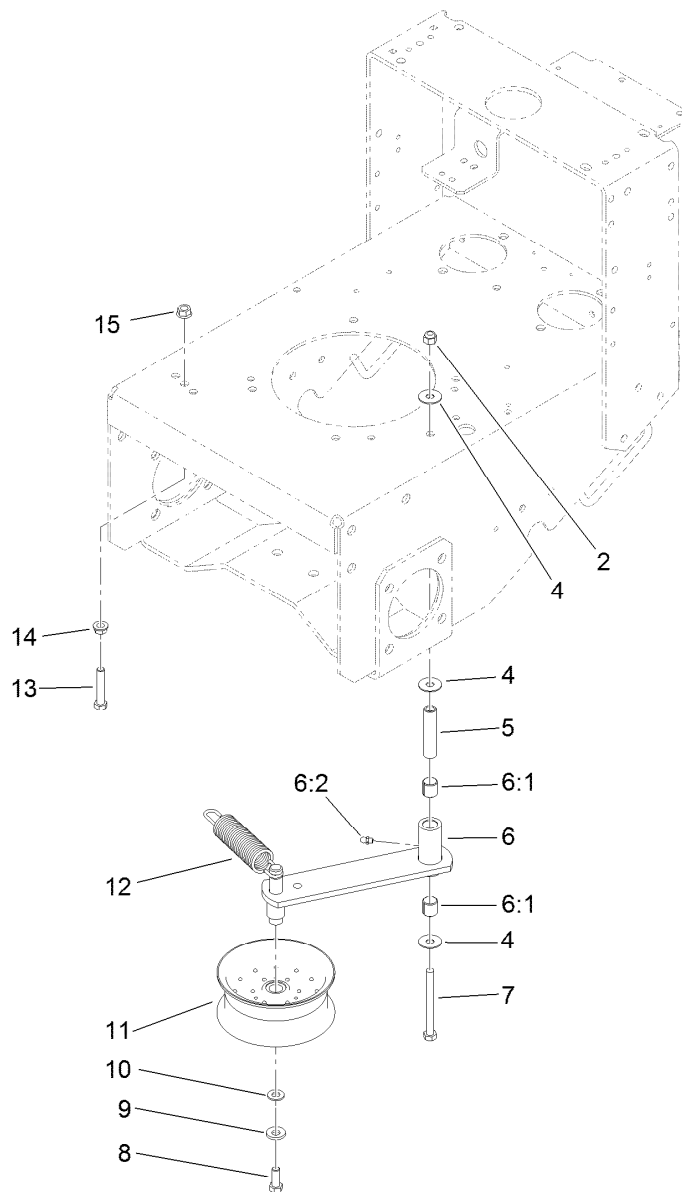
Electrical System Assembly

<i>Ref.</i>	<i>Part Number</i>	<i>Qty.</i>	<i>Description</i>
13	114-3420	1	Harness-Wire
15	112-7069	1	Grommet
16	32144-4	2	Screw-HWH
19	2412-72	1	Clip-Closed, Insulated
22	2412-134	1	Clamp-R
23	3290-378	1	Tie-Cable
26	218-578	1	Fuse-Blade, 10 Amp
27	3253-4	1	Washer-Lock
28	33114-016	1	Screw-HH
29	3290-378	1	Tie-Cable



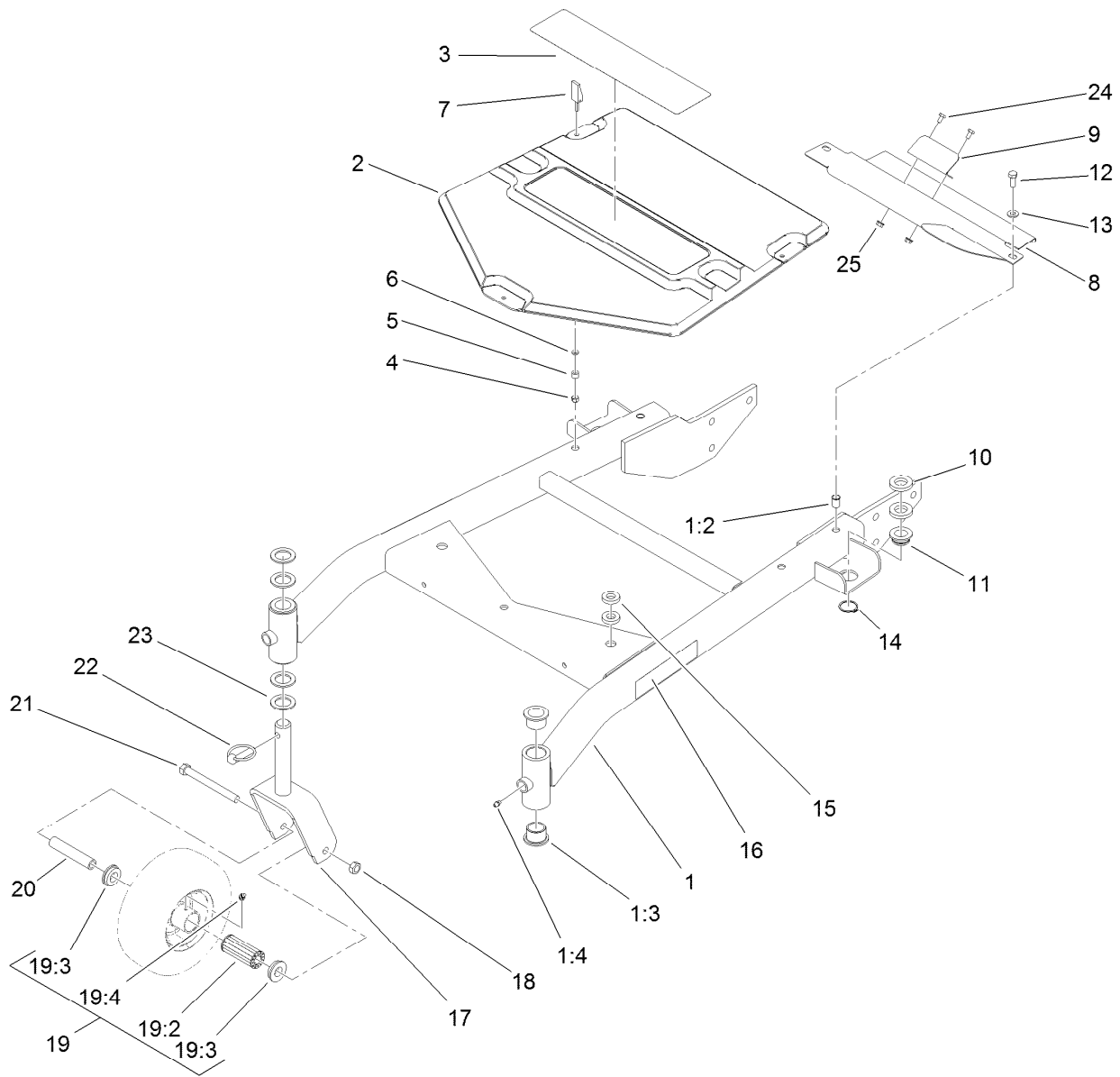
Parking Brake Assembly

<i>Ref.</i>	<i>Part Number</i>	<i>Qty.</i>	<i>Description</i>	<i>Ref.</i>	<i>Part Number</i>	<i>Qty.</i>	<i>Description</i>
1	3296-45	1	Nut-Lock, NI	12:3	3219-3	1	Nut-Hex
2	112-8716-01	1	Support-Handle	13	1-303020	1	Grip-Lever
3	112-8721	1	Decal-Brake	14	3290-307	2	Pin-Hair
4	3296-29	2	Nut-Lock, NI	15	1-808285	2	Pin-Clevis
5	1-633181	1	Plate-Tapped	16	613386	1	Spring-Brake
6	32105-13	2	Screw-HWH	17	323-11	1	Screw-HH
7	1-513152	1	Switch-Closed, Normally	18	323-6	3	Screw-HH
8	322-6	2	Screw-HH	19	3296-39	5	Nut-Lock, NI
9	106-0671-01	1	Handle-Brake	20	110-4976-01	1	Shaft-Brake, Parking
10	257-7	1	Bearing-Thrust	21	3218-3	1	Nut-Jam
11	325-17	1	Screw-HH	22	323-8	1	Screw-HH
12	115-1465	1	Brake Rod ASM	23	112-9972	1	Washer-Conical, Spring
12:1	108-2747	1	Rod-Brake	24	3256-24	1	Washer-Flat
12:2	1-633131	2	Yoke-Linkage, Brake	25	114-1337	1	Spacer-Spring



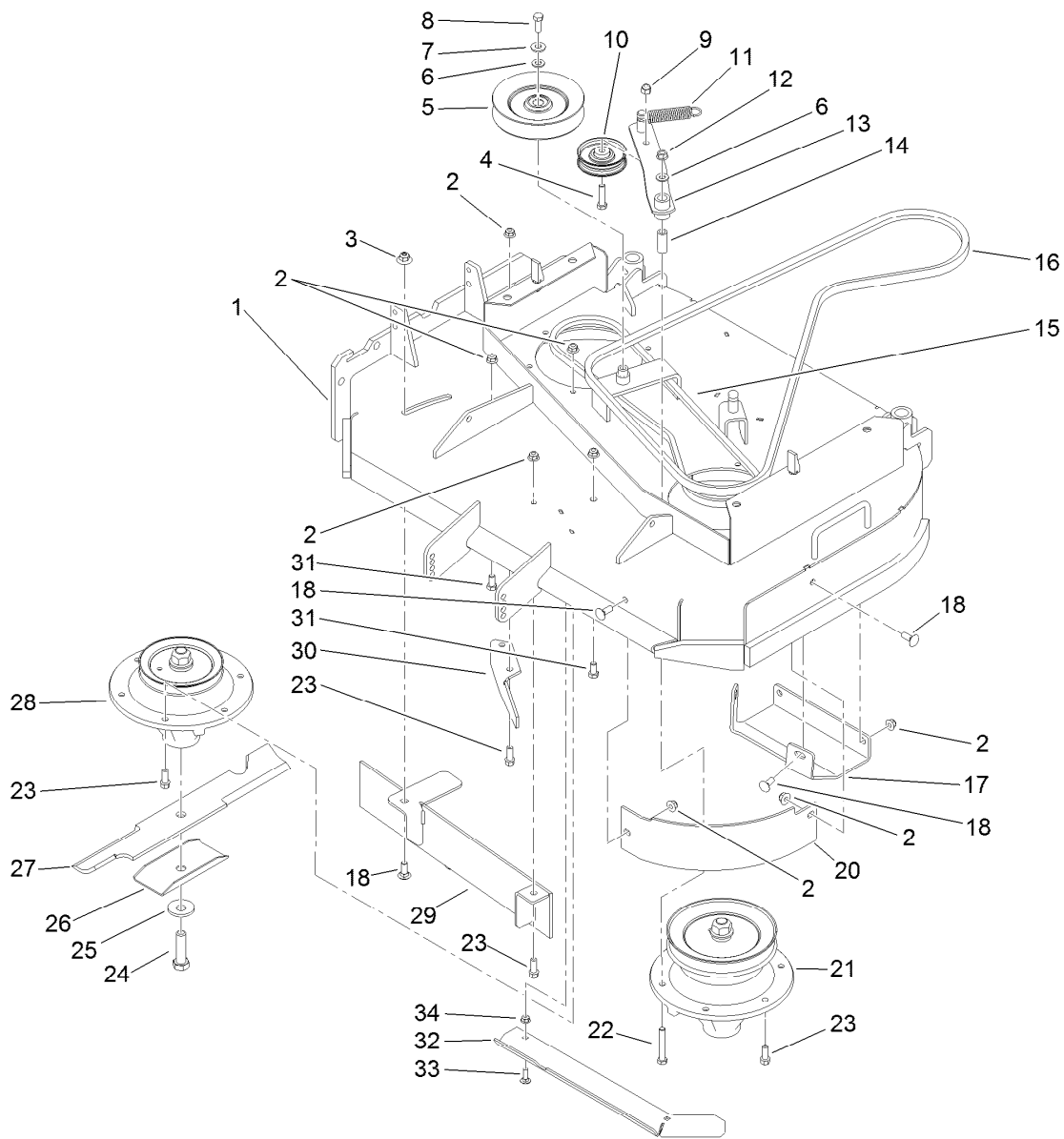
Power-Take-Off Idler Assembly

Ref.	Part Number	Qty.	Description
2	3296-39	1	Nut-Lock, NI
4	52-2860	3	Washer
5	104-6377	1	Tube-Idler
6	112-7055	1	Idler Arm ASM
6:1	1-513034	2	Sleeve-Bearing
6:2	302-5	1	Fitting-Grease
7	323-42	1	Screw-HH
8	323-6	1	Screw-HH
9	98-5975	1	Washer-Belleville
10	3256-24	1	Washer-Flat
11	116-4666	1	Idler-Pulley, Flat
12	105-8443	1	Spring-Extension
13	323-10	1	Screw-HH
14	3290-357	1	Nut-HHF, Whiz
15	32128-21	1	Nut-HF



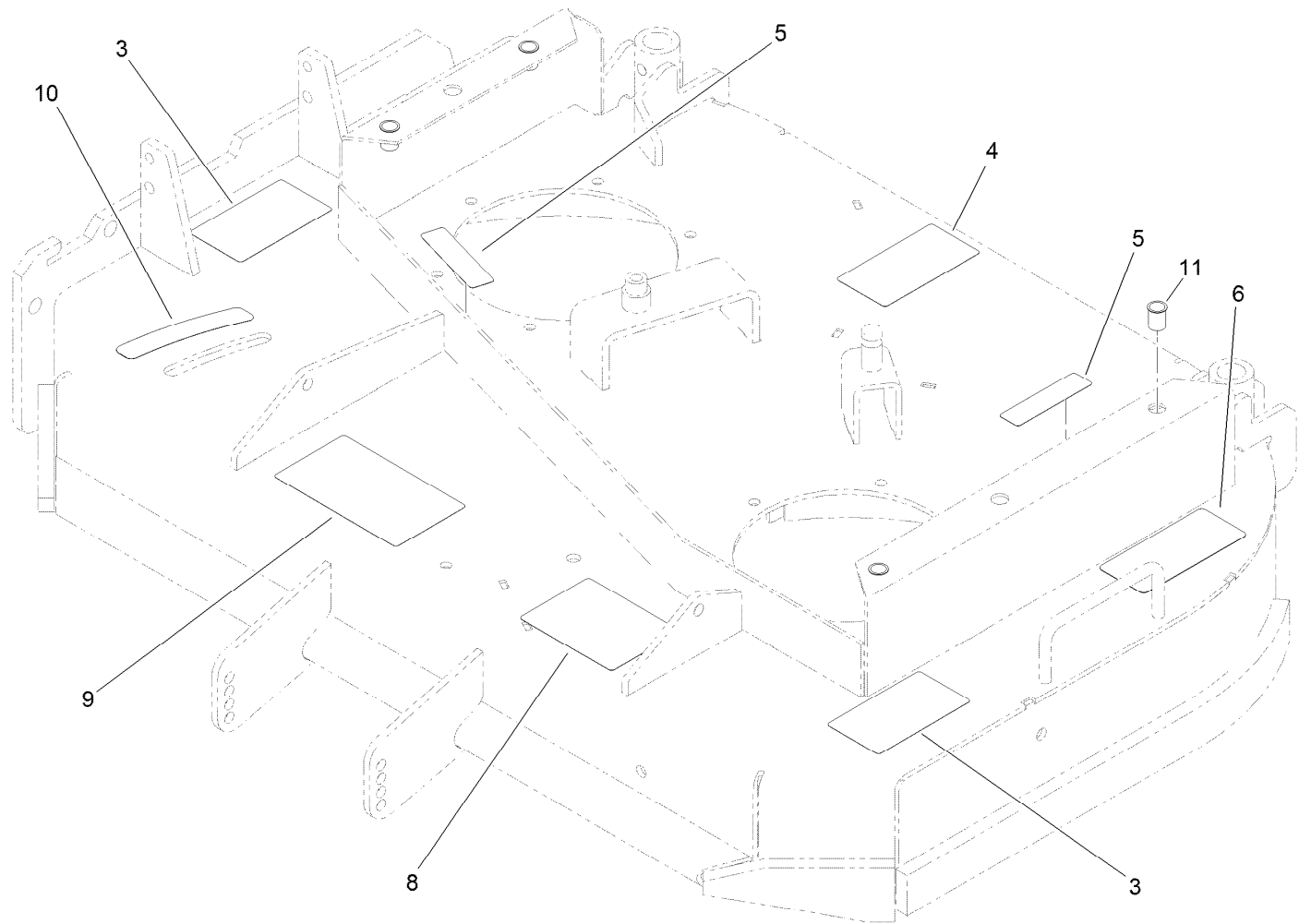
Carrier Frame Assembly

<i>Ref.</i>	<i>Part Number</i>	<i>Qty.</i>	<i>Description</i>	<i>Ref.</i>	<i>Part Number</i>	<i>Qty.</i>	<i>Description</i>
1	110-6960	1	Carrier Frame ASM	14	32120-33	2	Ring-Retaining
1:2	32148-9	2	Insert-Nut	15	1-323539	4	Spacer
1:3	94-1291	4	Bushing	16	106-0636	2	Decal
1:4	302-5	2	Fitting-Grease	17	105-3159-01	2	Fork-Castor
2	110-6970	1	Cover-Frame, Carrier	18	32153-5	2	Nut-Hex
3	112-9710	1	Decal	19	110-5024	2	Wheel And Tire ASM
4	1-804254	3	Nut-Lock, HH	19:2	112-7066	1	Bearing-Roller
5	106-6778	3	Bushing-Latch, Swell	19:3	1-513810	2	Bushing
6	99-3058	3	Washer	19:4	302-61	1	Fitting-Grease
7	106-6777	3	Handle-Latch, Swell	20	100-6453	2	Bushing-Spanner
8	119-7858-01	1	Shield-Belt	21	325-19	2	Screw-HH
9	119-7859-01	1	Shield-Heat, Manifold	22	283-71	2	Pin-Lynch
10	104-1105	4	Spacer-Support, Deck	23	3-6781	8	Washer-Thrust
11	1-513336	2	Bushing-Deck	24	321-2	2	Screw-HH
12	323-6	2	Screw-HH	25	32128-32	2	Nut-HHF
13	3256-24	2	Washer-Flat				



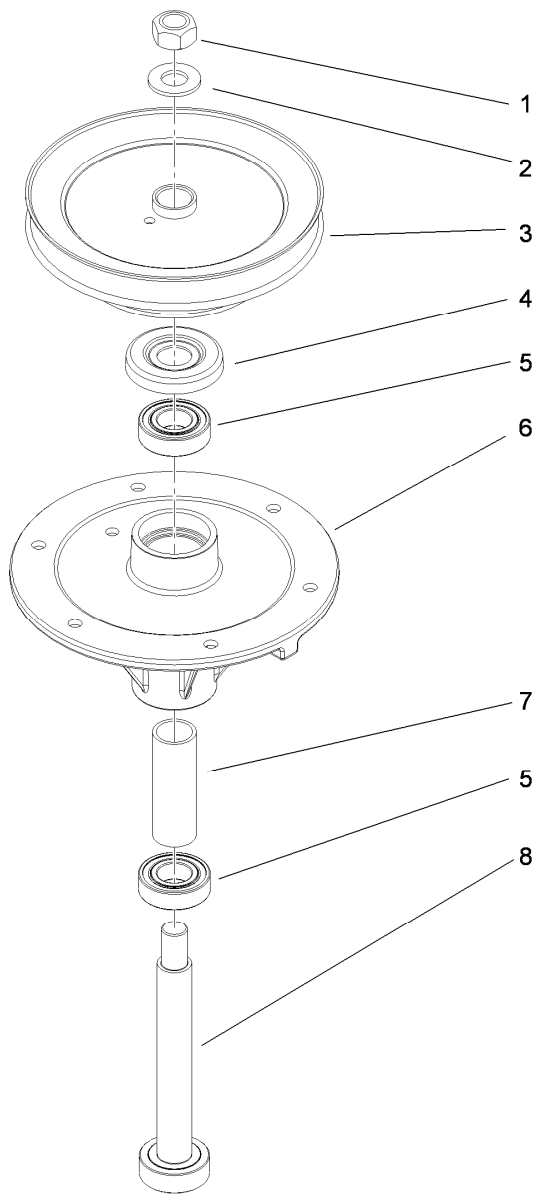
Deck Drive and Baffle Assembly

<i>Ref.</i>	<i>Part Number</i>	<i>Qty.</i>	<i>Description</i>	<i>Ref.</i>	<i>Part Number</i>	<i>Qty.</i>	<i>Description</i>
1	115-4230	1	Deck And Decal ASM	18	3231-2	7	Bolt-CARR
2	104-8301	22	Nut-Flange, NI	20	110-6903-03	1	Baffle-Front, LH
3	109-6658	1	Nut-Flange, NI	21	110-6950	1	Spindle ASM
4	323-8	1	Screw-HH	22	323-12	1	Screw-HH
5	1-633166	1	Pulley-Idler	23	92-1624	14	Screw-HWH
6	3256-24	2	Washer-Flat	24	51-4060	2	Screw-Blade
7	98-5975	1	Washer-Belleville	25	103-0865	2	Washer-Blade Bolt, Heavy
8	323-6	1	Screw-HH	26	108-2727	2	Stiffener-Blade
9	3296-39	1	Nut-Lock, NI	27	105-7781-03	2	Blade-18In, Hi Flow
10	51-3660	1	Pulley-Idler	28	110-0728	1	Spindle ASM
11	105-2673	1	Spring-Extension	29	121-1779-03	1	Baffle
12	32128-21	1	Nut-HF	30	110-0754-01	1	Baffle-Discharge
13	105-0889	1	Idler Arm ASM	31	323-4	2	Screw-HH
14	51-3641	1	Sleeve-Pivot, Idler	32	119-7839-01	1	Extender-Deck
15	110-6953	1	Belt-V	33	3230-2	2	Bolt-CARR
16	105-0886	1	Belt-Drive, PTO	34	104-8300	2	Nut-Flange, NI
17	110-2037-01	1	Plate-Skid				



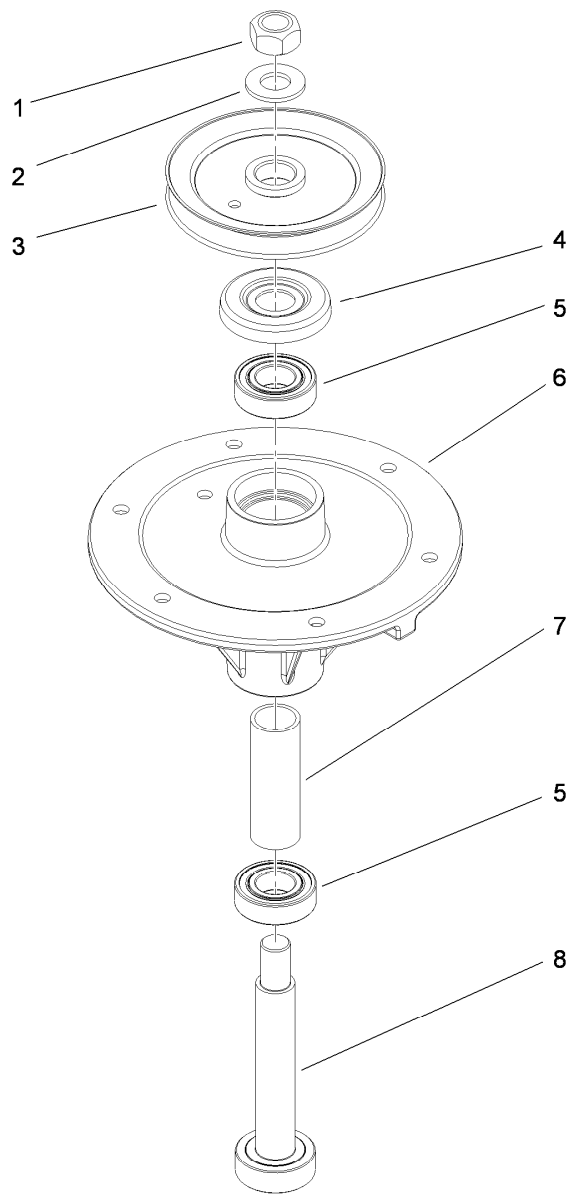
Deck Decal Assembly No. 115-4230

<i>Ref.</i>	<i>Part Number</i>	<i>Qty.</i>	<i>Description</i>
3	114-3449	2	Decal-Danger
4	104-8185	1	Decal
5	119-0217	2	Decal-Danger
6	93-7818	1	Decal-Torque, Blade Bolt
8	99-8939	1	Decal-Anti Scalp
9	110-2068	1	Decal-Adjustment, Baffle
10	110-2067	1	Decal-Setting, Baffle
11	32148-9	4	Insert-Nut



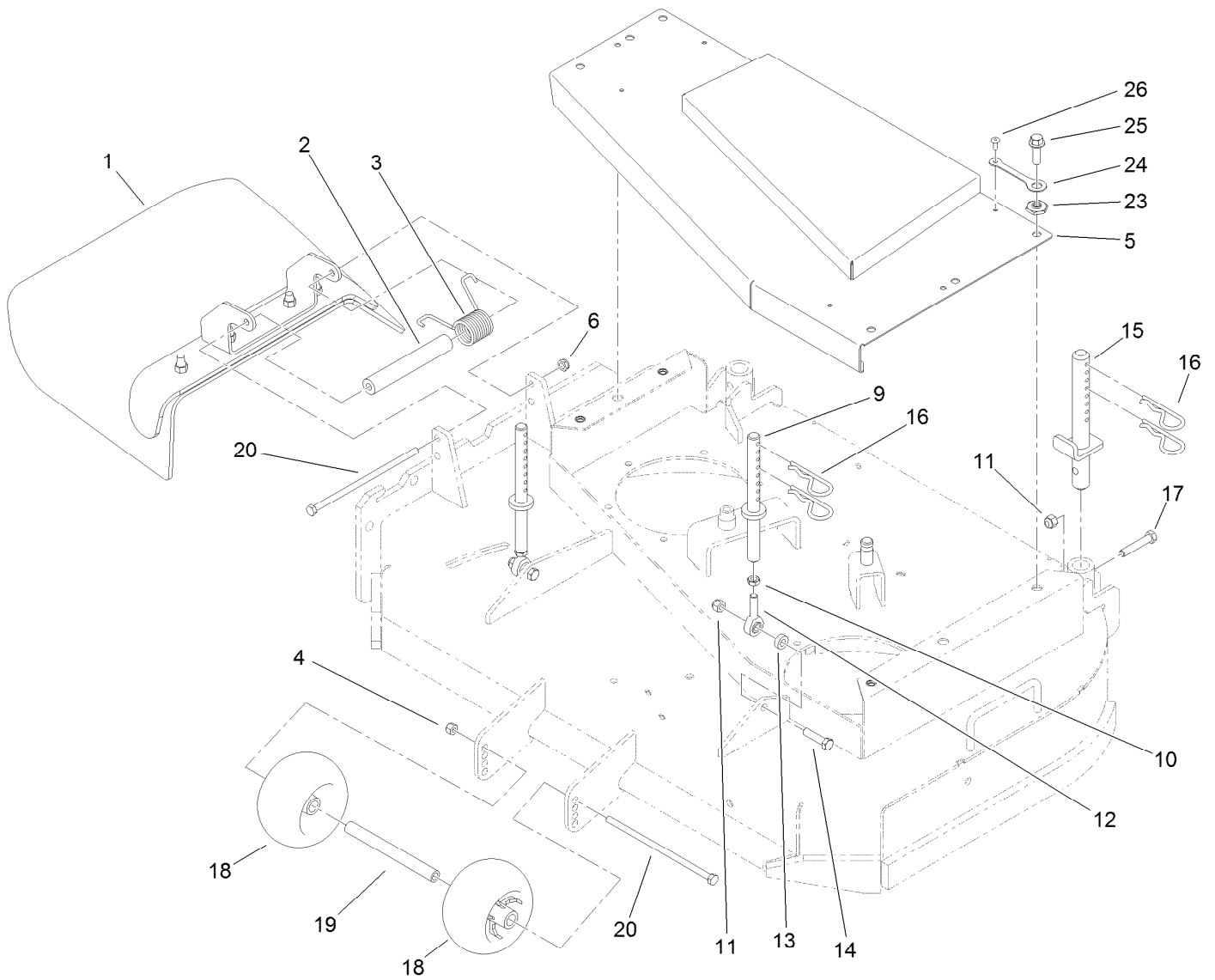
Spindle Assembly No. 110-6950

<i>Ref.</i>	<i>Part Number</i>	<i>Qty.</i>	<i>Description</i>
1	3219-7	1	Nut-Hex
2	7-4150	1	Washer
3	110-6951	1	Pulley And Hub ASM
4	106-0873	1	Shield-Bearing
5	116-0720	2	Bearing-Ball
6	108-6696	1	Housing-Spindle
7	110-0727	1	Spacer-Bearing
8	110-0725	1	Shaft-Spindle



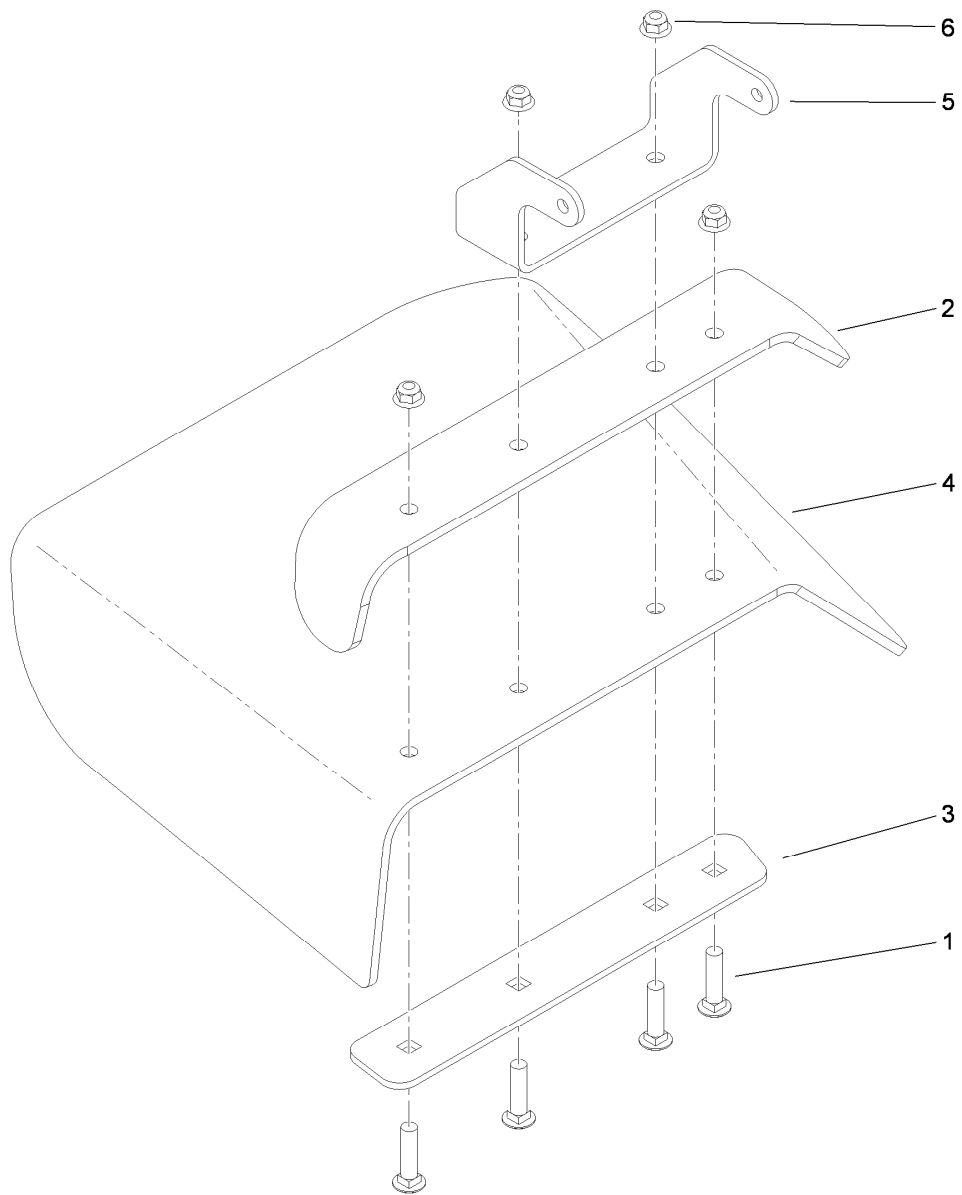
Spindle Assembly No. 110-0728

<i>Ref.</i>	<i>Part Number</i>	<i>Qty.</i>	<i>Description</i>
1	3219-7	1	Nut-Hex
2	7-4150	1	Washer
3	104-1181	1	Pulley ASM
4	106-0873	1	Shield-Bearing
5	116-0720	2	Bearing-Ball
6	108-6696	1	Housing-Spindle
7	110-0727	1	Spacer-Bearing
8	110-0726	1	Shaft-Spindle



Deck Deflector, Roller and Cover Assembly

<i>Ref.</i>	<i>Part Number</i>	<i>Qty.</i>	<i>Description</i>	<i>Ref.</i>	<i>Part Number</i>	<i>Qty.</i>	<i>Description</i>
1	110-0790	1	Deflector ASM	14	323-8	2	Screw-HH
2	105-4622	1	Spacer	15	110-2086	2	Rear Pin ASM
3	108-4052	1	Spring-Torsion	16	3290-256	6	Pin-Hair
4	3296-29	1	Nut-Lock, NI	17	323-10	2	Screw-HH
5	119-6512-01	1	Cover-Belt, Deck	18	1-603299	2	Roller-Scalp, Anti
6	3296-47	1	Nut-Lock, NI	19	98-5967	1	Spacer-Wheel
9	108-2674	2	Front Pin ASM	20	322-50	2	Screw-HH
10	3220-3	2	Nut-HJ	23	117-8347	4	Nut-Shoulder
11	3296-39	4	Nut-Lock, NI	24	117-8339	4	Lanyard-3 Inch
12	1-613204	2	Balljoint	25	3234-24	4	Screw-HHF
13	104-1156	2	Spacer	26	114439	4	Rivet-Pop



Deflector Assembly No. 110-0790

<i>Ref.</i>	<i>Part Number</i>	<i>Qty.</i>	<i>Description</i>
1	3231-4	4	Screw-CARR
2	110-0792-01	1	Deflector
3	110-0793-03	1	Strap-Discharge
4	110-0791	1	Deflector-Rubber
5	107-4164-01	1	Bracket-Mounting, Deflector
6	104-8301	4	Nut-Flange, NI

Attachments and Accessories

For 30071 Commercial Walk-Behind Mower 16HP, T-Bar, Hydro Drive with 91cm TURBO FORCE Cutting Unit

Product Name	Model/Part
Blade-Recycler, 18in.....	105-7779-03
Blade-Med Flow, 18in	105-7794-03
Blade-Low Flow, 18in.....	105-7795-03
Blade-Atomic, 18in	105-7796-03
Blade-Hi Flow, 18in (6 Pack).....	108-1117
Blade-Atomic, 18in (6 Pack)	108-1118
Blade-Lo Flow, 18in (6 Pack)	110-0406
Blade-Recycler, 18in (6 Pack).....	110-0408
Blade-Med Flow, 18in (6 Pack)	110-0409
36in Bagger Enhancement Kit	110-2026
36in Recycler Kit.....	110-2080
Weight-Cast.....	112-7059-01
Oil-Synthetic, All Season	117-0066
Oil Filter	119-5852
Filter-fuel.....	120-2235
Element-Filter, Air	120-7447
Soft Bag (3 Bushel).....	30104
Tru Trak Sulky.....	30110
Toro 4-cycle Sae 30 Oil (32oz Bottle).....	38903
Spark Plug	92-2153

Notes:

Notes:



Count on it.