



**Count on it.**

**Parts Catalog**

**Commercial Walk-Behind Mower  
Fixed Deck, Pistol Grip, Hydro Drive with  
48in TURBO FORCE® Cutting Unit**

Model No. 39938—Serial No. 315000001 and Up



# Ordering Replacement Parts

To order replacement parts, please supply the part number, the quantity, and the description of each part desired.

## Understanding Reference Numbers

Each identified part in an illustration has a reference number. The reference number for a part also appears in the parts list, along with other information about the part.

This catalog uses two special reference number formats, one to indicate parts in a service assembly and another to indicate the quantity of a given part in an illustration.

## Service Assembly Reference Numbers

Parts in service assemblies have reference numbers in the form a:b. The a represents the reference number of the entire service assembly and the b represents a sequential number unique to each part within the service assembly.

For example, a wheel assembly might be identified by reference number 6, the tire by 6:1, the valve by 6:2, and the wheel by 6:3. When you order the assembly identified by reference number 6, you receive all parts identified by reference numbers 6:1, 6:2, and 6:3. However, you may also order any part individually. Reference numbers of this type appear in illustration and in parts lists.

## Reference Numbers Indicating Quantity

In an illustration, if a reference number indicates more than one part, the reference number has the form nX y. The n represents the quantity of the part, the X is the multiplication symbol, and the y represents the reference number.

For example, in an illustration, the reference number 2X 37 means that two of the parts identified by reference number 37 are indicated.

# List of Abbreviations

**AR:** as required

**ASM:** assembly

**BBC:** blade brake control

**BHTF:** button head thread forming

**CARR:** carriage

**CCW:** counter clockwise

**CW:** clockwise

**DEG:** degrees

**DPA:** Dual Point Adjustment

**ECM:** electronic control module

**EXT:** external

**FH:** flat head

**GA:** gauge

**HD:** heavy-duty

**HF:** hex flange

**HH:** hex head

**HHF:** hex head flange

**HHFTF:** hex head flange thread forming

**HJ:** hex jam

**HLH:** hex lag head

**HOC:** height-of-cut

**HP:** high pressure

**HSBH:** hex socket button head

**HSFH:** hex socket flat head

**HSH:** hex socket head

**HWH:** hex washer head

**HWHTF:** hex washer head thread forming

**HYD:** hydraulic

**LH:** left hand

**LP:** low pressure

**LPG:** Liquefied Petroleum Gas

**NI:** nylon insert

**NPTF:** national pipe thread fine

**PFH:** phillips flat head

**PPH:** phillips pan head

**PPHTF:** phillips pan head thread forming

**PRH:** phillips round head

**PTH:** phillips truss head

**PTO:** power-take-off

**RH:** right hand

**ROPS:** roll-over protection system

**RRB:** rear roller brush

**SFH:** slotted fillister head

**SHH:** slotted hex head

**SHWH:** slotted hex washer head

**SPH:** slotted pan head

**SQH:** square head

**SRH:** slotted round head

**STD:** standard

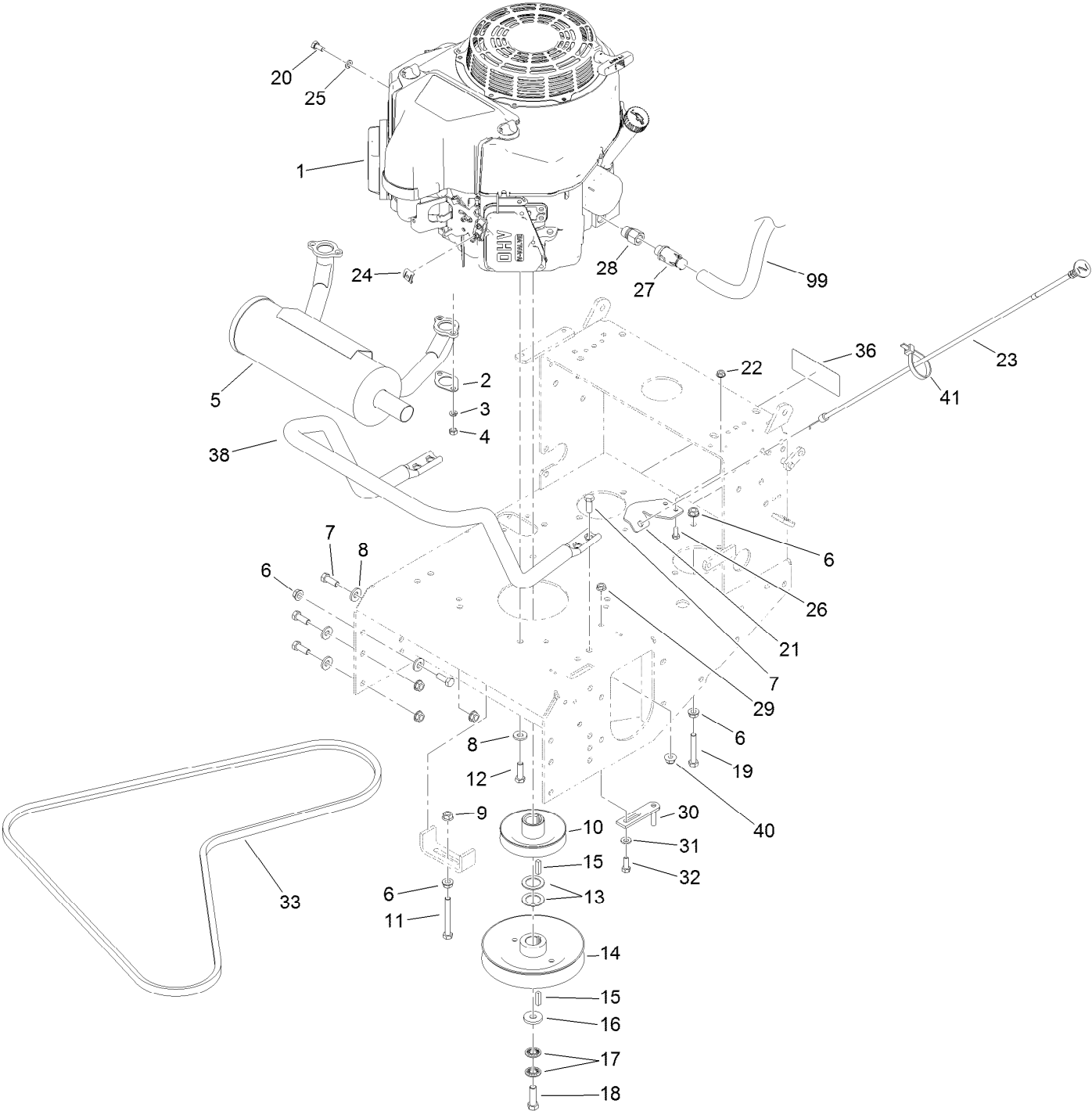
**TAP:** self tapping

**TTH:** torx truss head

# Contents

|  |    |
|--|----|
| Engine and Exhaust Assembly.....                 | 4  |
| Fuel System Assembly .....                       | 6  |
| Pump Drive and Engine Pulley Assembly .....      | 7  |
| Hydraulic Wheel Motor Assembly No. 1-603718..... | 8  |
| LH Hydraulic Pump Assembly No. 116-0942.....     | 9  |
| RH Hydraulic Pump Assembly No. 116-0943 .....    | 10 |
| Parking Brake Assembly .....                     | 11 |
| Deck Engagement Assembly .....                   | 12 |
| Hydraulic System Assembly .....                  | 13 |
| Lower Control Assembly .....                     | 14 |
| Upper Control Assembly .....                     | 16 |
| Handle Assembly No. 119-6538 .....               | 18 |
| Drive Lever Assembly .....                       | 19 |
| Deck Assembly .....                              | 20 |
| Deck Decal Assembly No. 110-4909 .....           | 21 |
| Deflector Assembly No. 110-0758.....             | 22 |
| Sheave, Spindle and Blade Assembly .....         | 23 |
| Idler Assembly .....                             | 24 |
| Caster Assembly .....                            | 25 |
| Attachments and Accessories .....                | 26 |

# Engine and Exhaust Assembly

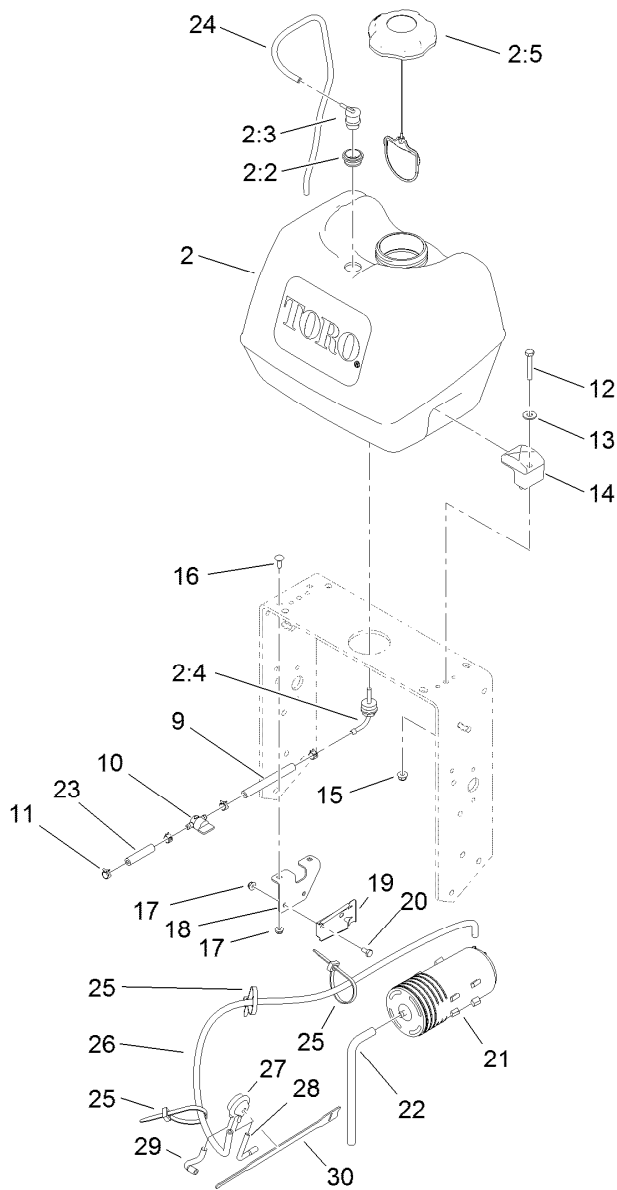


## Engine and Exhaust Assembly (continued)

| <i>Ref.</i> | <i>Part Number</i> | <i>Qty.</i> | <i>Description</i>                 | <i>Ref.</i> | <i>Part Number</i> | <i>Qty.</i> | <i>Description</i>   |
|-------------|--------------------|-------------|------------------------------------|-------------|--------------------|-------------|----------------------|
| 1           |                    | 1           | Engine-Kawasaki,<br>Fs481V-As06 ●■ | 20          | 33114-016          | 1           | Screw-HH             |
| 2           | 1-653313           | 2           | Gasket-Exhaust                     | 21          | 103-1797-01        | 1           | Bracket-Cable, Choke |
| 3           | 114-3550           | 4           | Washer-Lock, Spring                | 22          | 32128-33           | 2           | Nut-HF               |
| 4           | 114-3549           | 4           | Nut                                | 23          | 103-1796           | 1           | Cable-Choke          |
| 5           | 116-3734           | 1           | Muffler-Horizontal, Offset         | 24          | 81-1690            | 1           | Clamp-Cable          |
| 6           | 3290-357           | 11          | Nut-HHF, Whiz                      | 25          | 3253-4             | 1           | Washer-Lock          |
| 7           | 323-6              | 12          | Screw-HH                           | 26          | 321-3              | 2           | Screw-HH             |
| 8           | 98-5975            | 12          | Washer-Belleville                  | 27          | 120-4321           | 1           | Valve-Drain, Oil     |
| 9           | 32128-21           | 1           | Nut-HF                             | 28          | 103-1966           | 1           | Adapter              |
| 10          | 1-653035           | 1           | Pulley                             | 29          | 32128-20           | 1           | Nut-HF               |
| 11          | 323-14             | 1           | Screw-HH                           | 30          | 1-322110           | 1           | Guide-Belt           |
| 12          | 323-7              | 4           | Screw-HH                           | 31          | 1-303334           | 1           | Washer-Spring        |
| 13          | 1-523157           | 2           | Washer-Spacer                      | 32          | 322-4              | 1           | Screw-HH             |
| 14          | 110-4890           | 1           | Pulley ASM                         | 33          | 110-0543           | 1           | Belt-V               |
| 15          | 1-807259           | 2           | Key                                | 36          | 126-1400           | 1           | Decal-Warning, Sulky |
| 16          | 1-373034           | 1           | Washer                             | 38          | 116-6278-03        | 1           | Guard-Muffler        |
| 17          | 1-603610           | 2           | Washer-Spring                      | 40          | 104-8301           | 4           | Nut-Flange, NI       |
| 18          | 116-3702           | 1           | Screw-HH                           | 41          | 1-303287           | 1           | Tie-Cable            |
| 19          | 323-11             | 1           | Screw-HH                           | 99          | 103-1964           | 1           | Hose-Drain, Oil      |

● Not serviced separately

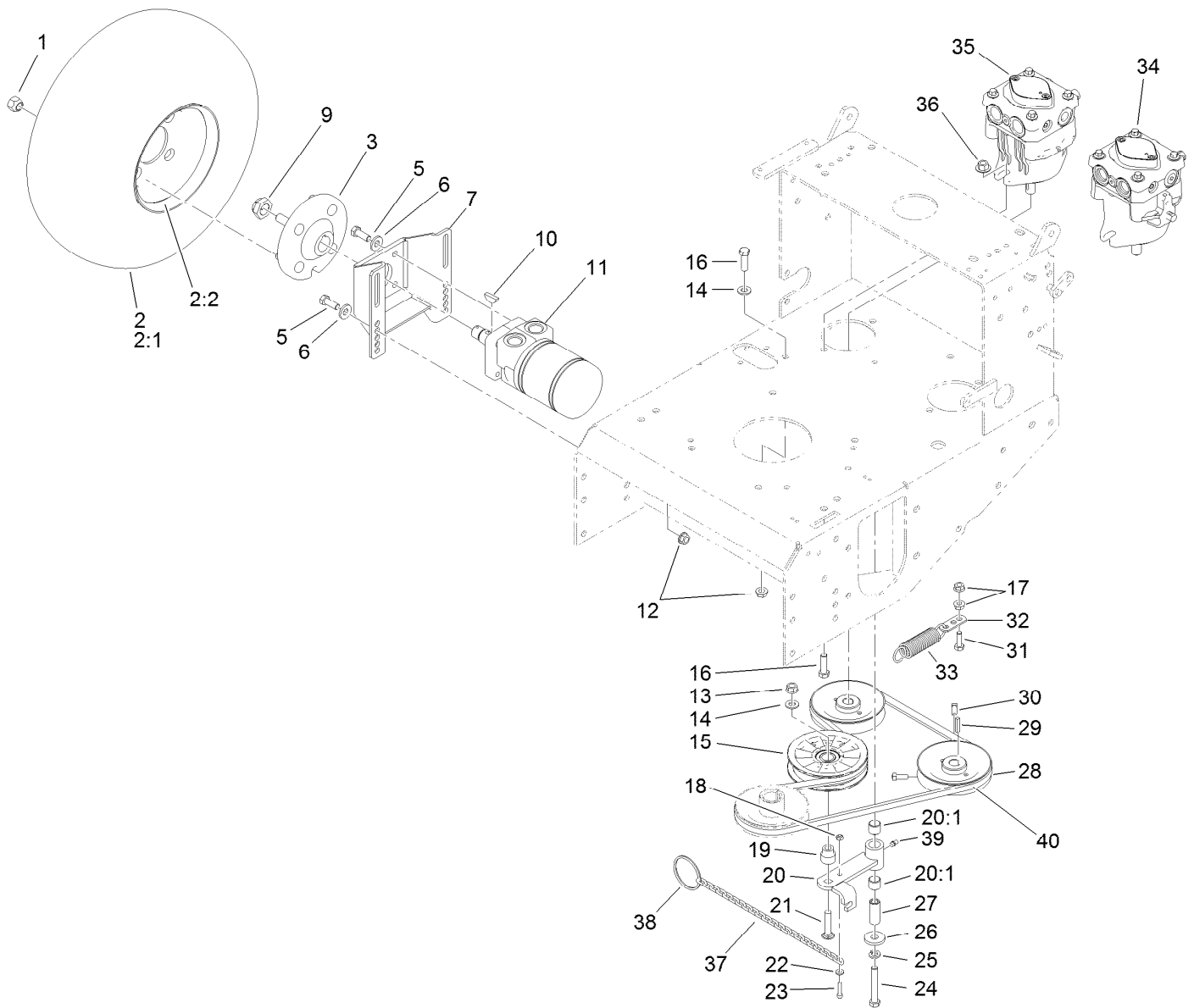
■ Obtain parts from [www.kawpowerepc.com](http://www.kawpowerepc.com)



## Fuel System Assembly

| Ref. | Part Number | Qty. | Description            |
|------|-------------|------|------------------------|
| 2    | 126-1526    | 1    | Fuel Tank ASM          |
| 2:2  | 114-0284    | 1    | Grommet                |
| 2:3  | 119-3547    | 1    | Valve-Vent, Fuel       |
| 2:4  | 103-2605    | 1    | Fitting-Fuel, Bulkhead |
| 2:5  | 120-5461    | 1    | Cap-Fuel, Ratcheting   |
| 9    | 109-0650    | 1    | Hose-Fuel              |
| 10   | 1-603770    | 1    | Valve-Fuel             |
| 11   | 2412-98     | 4    | Clamp-Hose             |
| 12   | 322-10      | 2    | Screw-HH               |
| 13   | 3256-3      | 2    | Washer-Flat            |
| 14   | 107-4543    | 2    | Clamp                  |
| 15   | 104-8300    | 2    | Nut-Flange, NI         |
| 16   | 3229-1      | 2    | Bolt-CARR              |
| 17   | 104-7201    | 4    | Nut-HF                 |

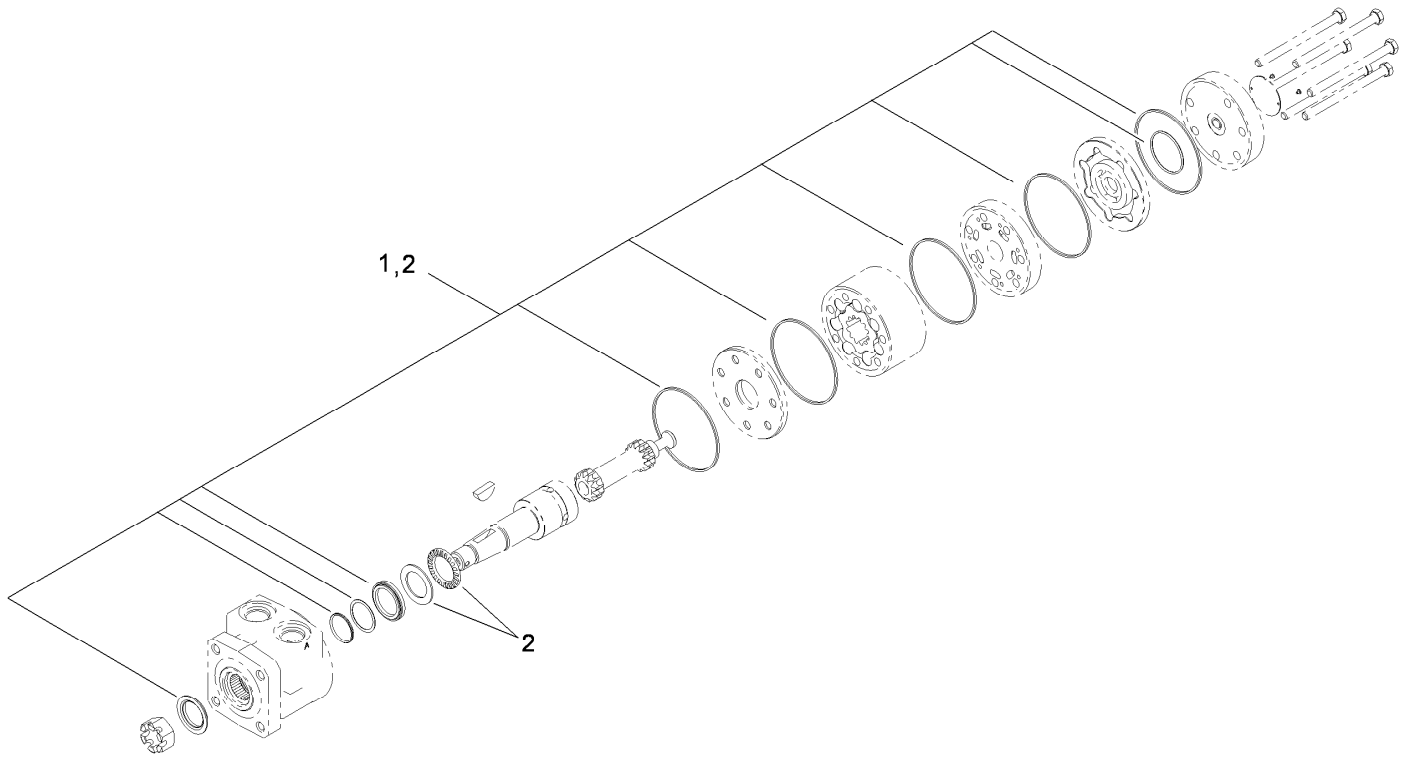
| Ref. | Part Number | Qty. | Description              |
|------|-------------|------|--------------------------|
| 18   | 115-4486-01 | 1    | Bracket-Canister, Carbon |
| 19   | 114-0292    | 1    | Bracket-Canister, Carbon |
| 20   | 321-2       | 2    | Screw-HH                 |
| 21   | 117-1221    | 1    | Canister-Carbon, 800Cc   |
| 22   | 115-0962    | 1    | Hose-Vent, Canister      |
| 23   | 99-9415     | 1    | Hose-Fuel                |
| 24   | 114-0286    | 1    | Hose-Vent                |
| 25   | 3290-378    | 3    | Tie-Cable                |
| 26   | 116-2231    | 1    | Hose-Vent, Formed        |
| 27   | 116-2232    | 1    | Valve-Control, Vacuum    |
| 28   | 119-8501    | 1    | Hose-Vent, Formed        |
| 29   | 119-8502    | 1    | Hose-Vent, Formed        |
| 30   | 116-2469    | 1    | Strap-Velcro, Cable Tie  |



## Pump Drive and Engine Pulley Assembly

| Ref. | Part Number | Qty. | Description        |
|------|-------------|------|--------------------|
| 1    | 242-50      | 8    | Nut-Lug            |
| 2    | 130-4552    | 2    | Wheel And Tire ASM |
| 2:1  | 1-613264    | 1    | Tire-Turfmaster    |
| 2:2  | 130-4567    | 1    | Rim-Wheel, Gray    |
| 3    | 112-9049    | 2    | Wheel Hub ASM      |
| 5    | 323-6       | 16   | Screw-HH           |
| 6    | 98-5975     | 16   | Washer-Belleville  |
| 7    | 1-402062-01 | 2    | Mount-Motor        |
| 9    | 116-2839    | 2    | Nut-Lock           |
| 10   | 1-807019    | 2    | Key-Woodruff       |
| 11   | 1-603718    | 2    | HYD Motor ASM      |
| 12   | 3290-357    | 9    | Nut-HHF, Whiz      |
| 13   | 32128-21    | 1    | Nut-HF             |
| 14   | 3256-24     | 2    | Washer-Flat        |
| 15   | 109-4077    | 1    | Pulley-Idler, Flat |
| 16   | 323-7       | 5    | Screw-HH           |
| 17   | 32128-20    | 2    | Nut-HF             |
| 18   | 3296-2      | 1    | Nut-Lock, NI       |
| 19   | 1-603496    | 1    | Bushing-Idler      |
| 20   | 1-602521    | 1    | Idler Arm ASM      |
| 20:1 | 103-4681    | 2    | Sleeve-Bearing     |

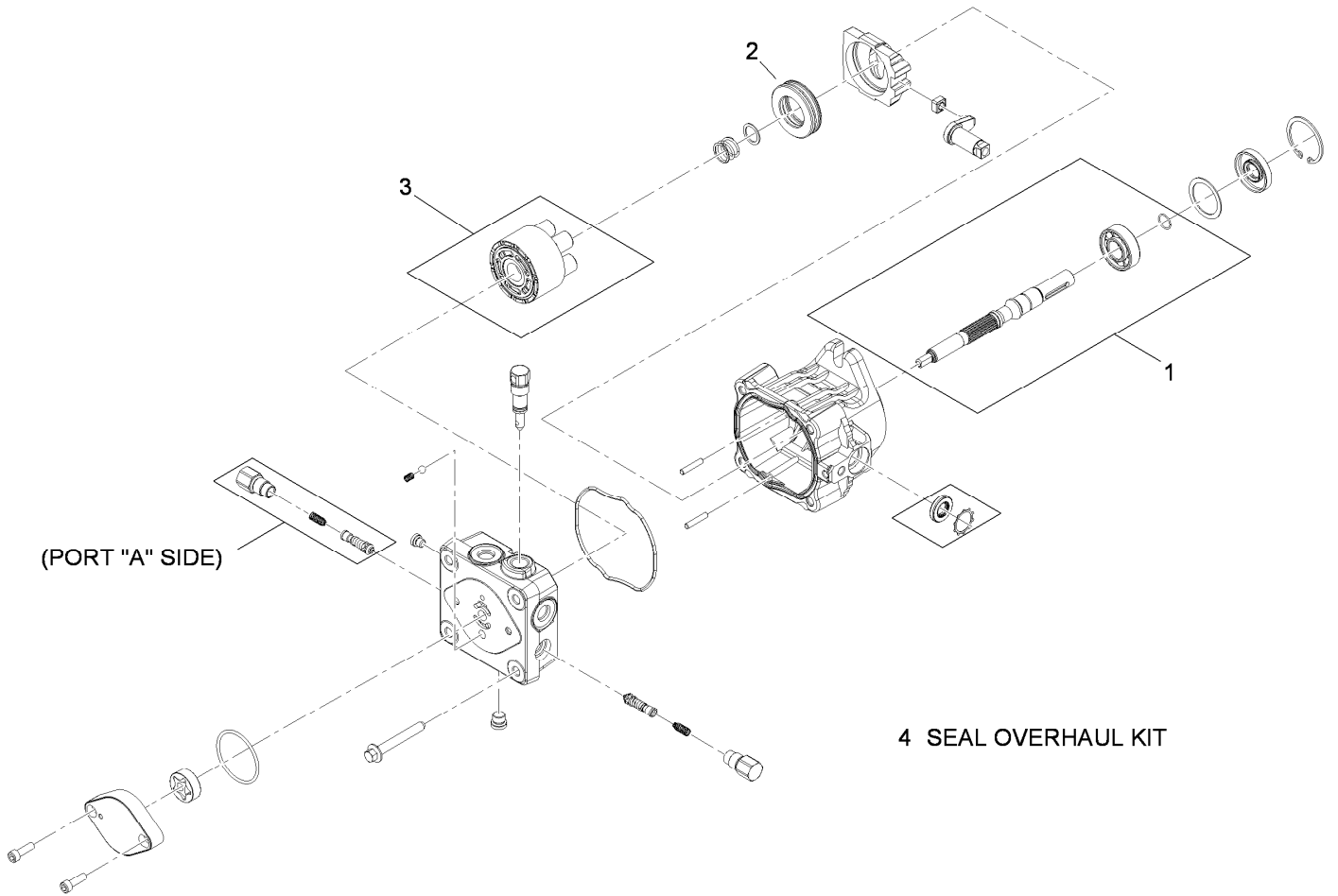
| Ref. | Part Number | Qty. | Description       |
|------|-------------|------|-------------------|
| 21   | 3231-29     | 1    | Screw-CARR        |
| 22   | 3256-14     | 1    | Washer-Flat       |
| 23   | 1-809069    | 1    | Screw-HSH         |
| 24   | 323-12      | 1    | Screw-HH          |
| 25   | 3253-21     | 1    | Washer-Lock       |
| 26   | 1-373034    | 1    | Washer            |
| 27   | 1-603044    | 1    | Bushing           |
| 28   | 1-413010    | 2    | Sheave ASM        |
| 29   | 1-807272    | 2    | Key               |
| 30   | 120-6474    | 4    | Screw-Set, SQH    |
| 31   | 322-5       | 1    | Screw-HH          |
| 32   | 1-603801    | 1    | Anchor-Spring     |
| 33   | 1-603402    | 1    | Spring-Extension  |
| 34   | 116-0942    | 1    | LH HYD Pump ASM   |
| 35   | 116-0943    | 1    | RH HYD Pump ASM   |
| 36   | 32128-43    | 4    | Nut-Flange        |
| 37   | 1-323365    | 1    | Chain-Link, Twist |
| 38   | 1-323366    | 1    | Ring-Split        |
| 39   | 302-19      | 1    | Fitting-Grease    |
| 40   | 106-2740    | 1    | V-Belt            |



## Hydraulic Wheel Motor Assembly No. 1-603718

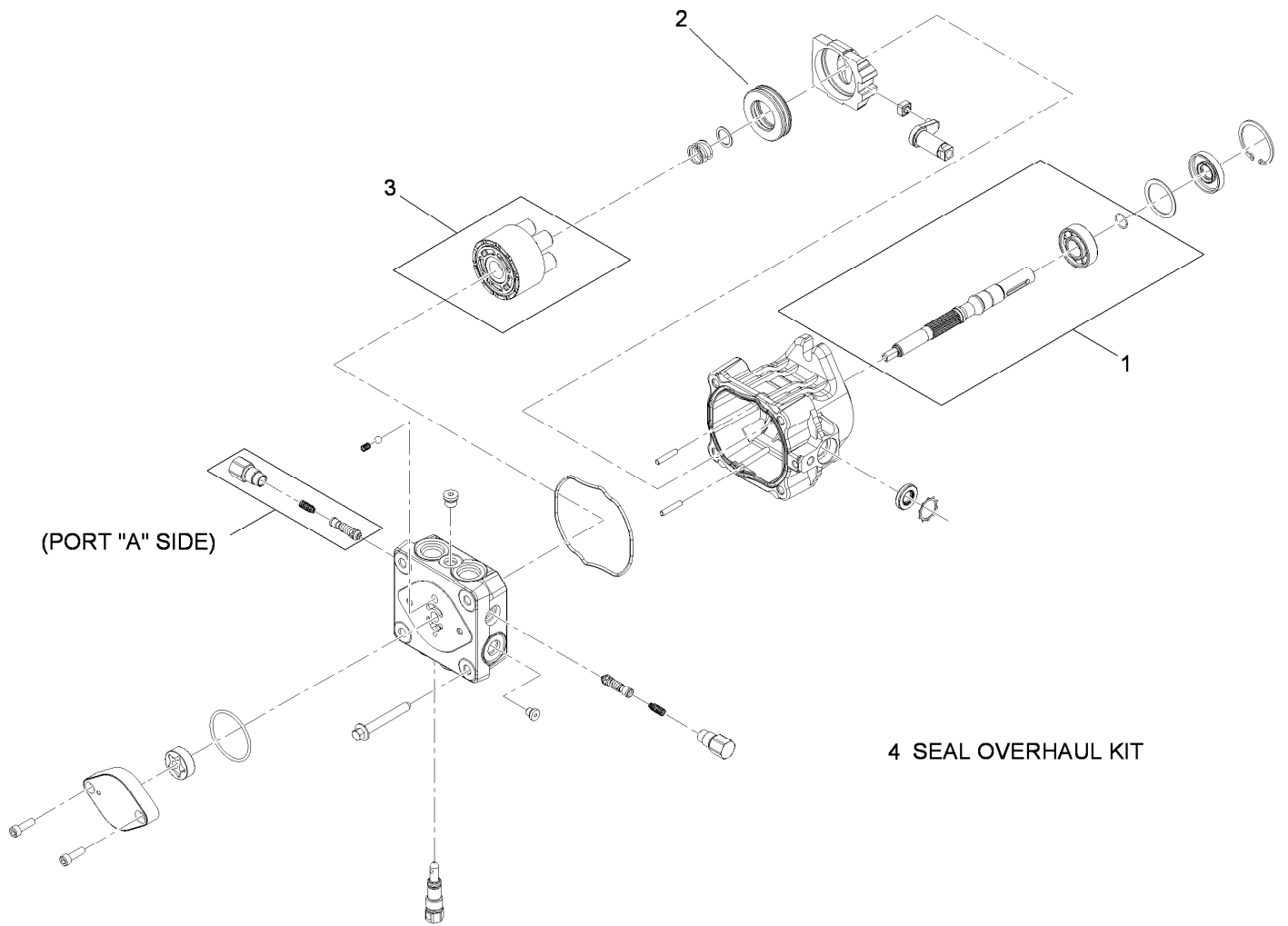
| <i>Ref.</i> | <i>Part Number</i> | <i>Qty.</i> | <i>Description</i>   |
|-------------|--------------------|-------------|----------------------|
| 1           | 1-000119           | 1           | Seal Kit             |
| 2           | 1-000138           | 1           | Bearing And Seal Kit |





## LH Hydraulic Pump Assembly No. 116-0942

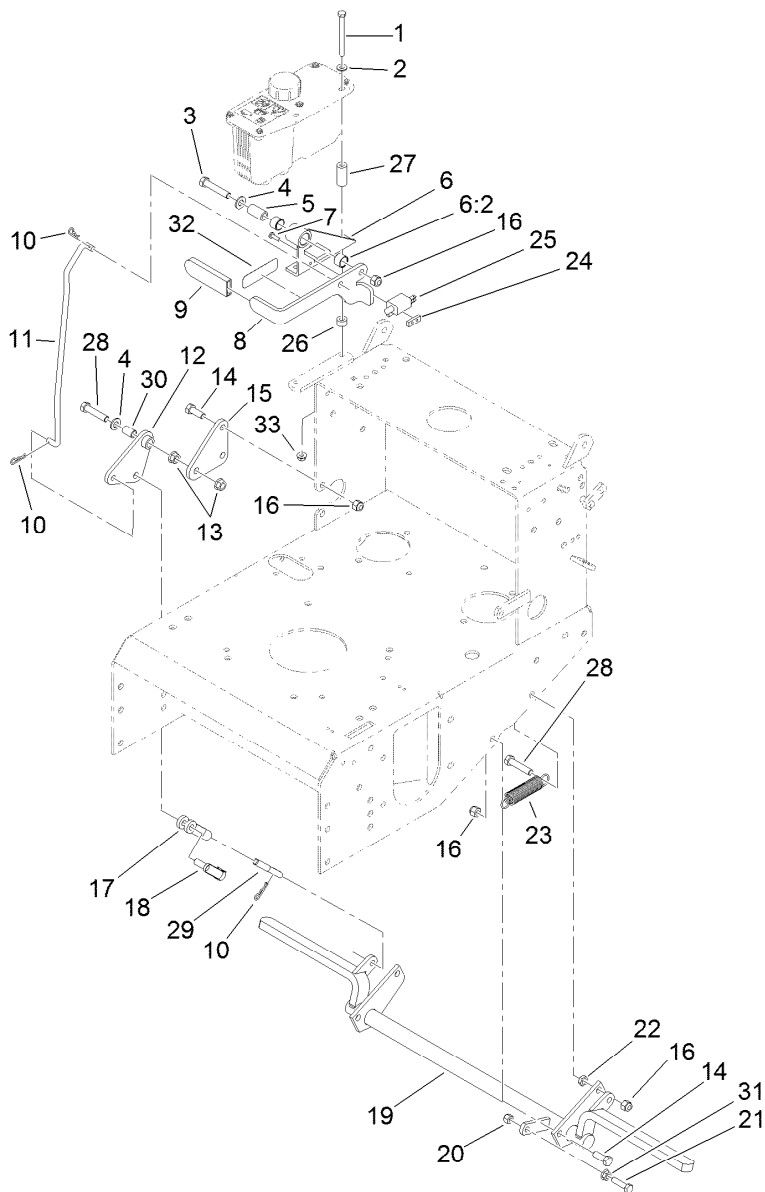
| <i>Ref.</i> | <i>Part Number</i> | <i>Qty.</i> | <i>Description</i> |
|-------------|--------------------|-------------|--------------------|
| 1           | 103-2664           | 1           | Input Shaft Kit    |
| 2           | 94-6922            | 1           | Bearing-Thrust     |
| 3           | 103-2666           | 1           | Cylinder Block Kit |
| 4           | 105-6184           | 1           | Seal Overhaul Kit  |



4 SEAL OVERHAUL KIT

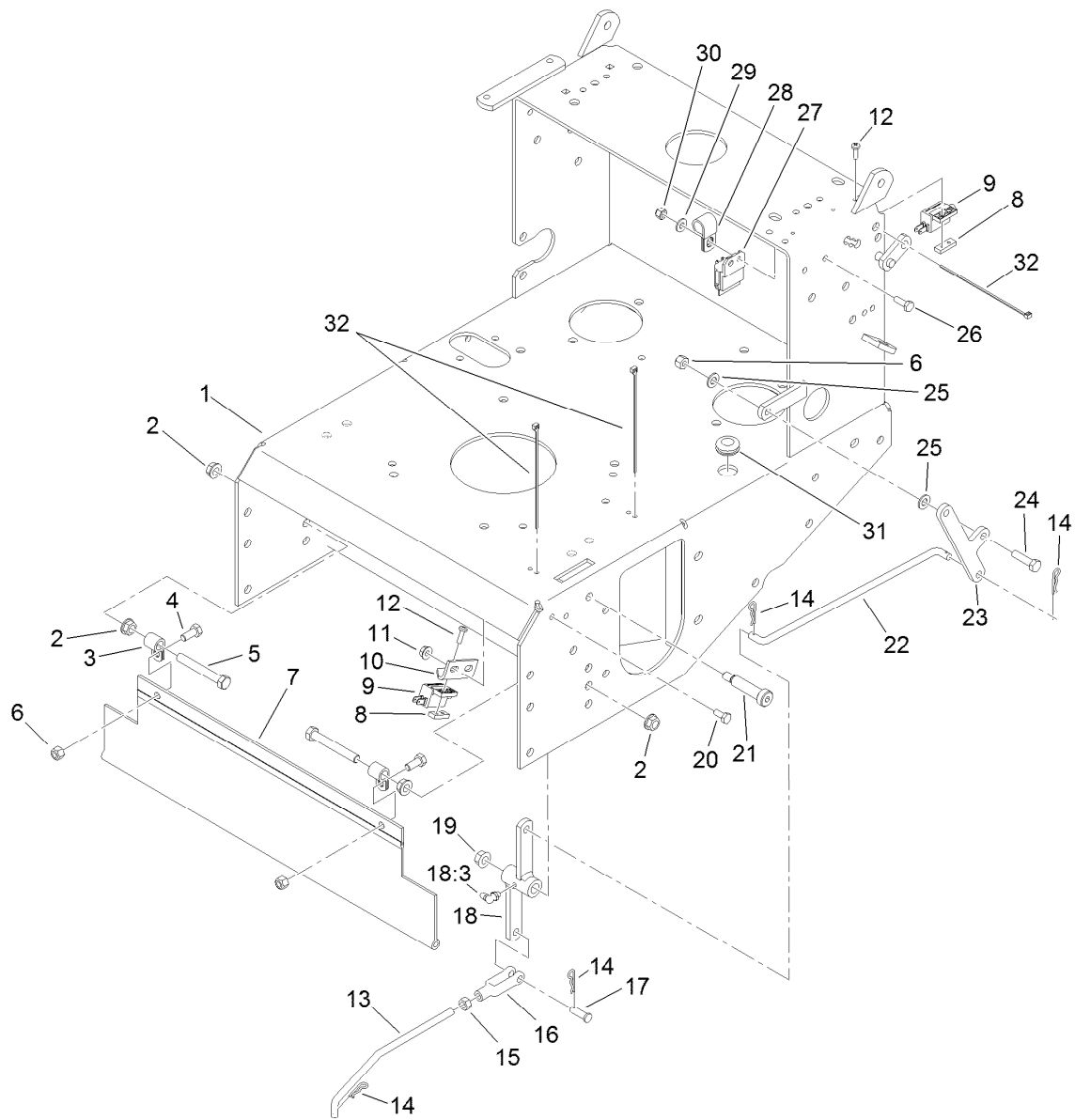
## RH Hydraulic Pump Assembly No. 116-0943

| <i>Ref.</i> | <i>Part Number</i> | <i>Qty.</i> | <i>Description</i> |
|-------------|--------------------|-------------|--------------------|
| 1           | 103-2664           | 1           | Input Shaft Kit    |
| 2           | 94-6922            | 1           | Bearing-Thrust     |
| 3           | 103-2666           | 1           | Cylinder Block Kit |
| 4           | 105-6184           | 1           | Seal Overhaul Kit  |



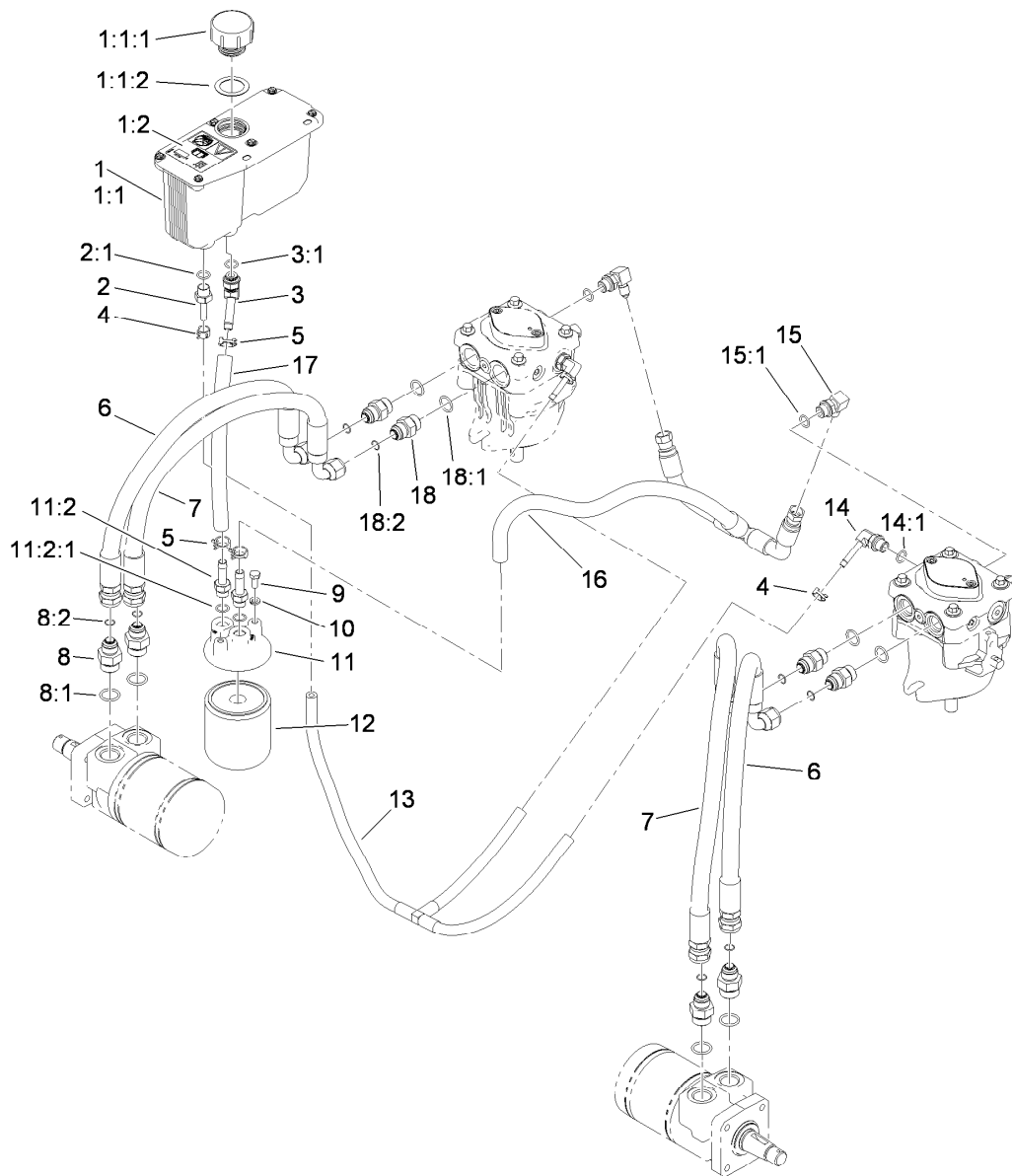
## Parking Brake Assembly

| Ref. | Part Number | Qty. | Description       | Ref. | Part Number | Qty. | Description           |
|------|-------------|------|-------------------|------|-------------|------|-----------------------|
| 1    | 321-23      | 2    | Screw-HH          | 17   | 1-633131    | 1    | Yoke-Linkage, Brake   |
| 2    | 3256-22     | 2    | Washer-Flat       | 18   | 103-2399    | 1    | Pin-Spring, Clevis    |
| 3    | 323-10      | 1    | Screw-HH          | 19   | 116-9964    | 1    | Brake                 |
| 4    | 3256-24     | 2    | Washer-Flat       | 20   | 3296-29     | 1    | Nut-Lock, NI          |
| 5    | 1-413344    | 1    | Bushing-Pivot     | 21   | 116-3515    | 1    | Screw-HH, Special     |
| 6    | 1-414504    | 1    | Bracket ASM       | 22   | 3218-3      | 1    | Nut-Jam               |
| 6:2  | 1-413347    | 2    | Sleeve-Bushing    | 23   | 1-323161    | 1    | Spring-Idler          |
| 7    | 3290-500    | 2    | Screw-PPH         | 24   | 1-633181    | 1    | Plate-Tapped          |
| 8    | 116-1725-03 | 1    | Lever-Brake, Park | 25   | 1-513051    | 1    | Switch-Open, Normally |
| 9    | 1-303020    | 1    | Grip-Lever        | 26   | 1-323549    | 2    | Spacer                |
| 10   | 1-806003    | 3    | Pin-Cotter, Hair  | 27   | 103-2191    | 2    | Spacer                |
| 11   | 1-413496    | 1    | Linkage-Upper     | 28   | 323-9       | 2    | Screw-HH              |
| 12   | 1-414508    | 1    | Bellcrank ASM     | 29   | 1-413489    | 1    | Linkage-Lower         |
| 13   | 32128-21    | 2    | Nut-HF            | 30   | 1-303548    | 1    | Bushing-Plastic       |
| 14   | 323-6       | 5    | Screw-HH          | 31   | 32128-20    | 1    | Nut-HF                |
| 15   | 1-413497    | 1    | Bellcrank         | 32   | 130-8376    | 1    | Decal-Brake, Parking  |
| 16   | 3296-39     | 7    | Nut-Lock, NI      | 33   | 32128-33    | 2    | Nut-HF                |



## Deck Engagement Assembly

| <i>Ref.</i> | <i>Part Number</i> | <i>Qty.</i> | <i>Description</i>    | <i>Ref.</i> | <i>Part Number</i> | <i>Qty.</i> | <i>Description</i>     |
|-------------|--------------------|-------------|-----------------------|-------------|--------------------|-------------|------------------------|
| 1           | 116-6086-01        | 1           | Frame                 | 18          | 1-322108           | 1           | Bellcrank ASM          |
| 2           | 3290-357           | 4           | Nut-HHF, Whiz         | 18:3        | 302-40             | 1           | Fitting-Grease, 90 DEG |
| 3           | 1-413510           | 2           | Clip-Loom             | 19          | 32128-21           | 1           | Nut-HF                 |
| 4           | 322-3              | 2           | Screw-HH              | 20          | 321-3              | 2           | Screw-HH               |
| 5           | 323-13             | 2           | Screw-HH              | 21          | 1-809062           | 1           | Screw                  |
| 6           | 3296-29            | 3           | Nut-Lock, NI          | 22          | 1-323172           | 1           | Linkage-Engage, Blade  |
| 7           | 103-2056           | 1           | Shield-Drag           | 23          | 116-1737-01        | 1           | Bellcrank              |
| 8           | 1-633181           | 2           | Plate-Tapped          | 24          | 322-6              | 1           | Screw-HH               |
| 9           | 1-513051           | 2           | Switch-Open, Normally | 25          | 3256-23            | 2           | Washer-Flat            |
| 10          | 1-323213           | 1           | Bracket-Switch, Blade | 26          | 321-4              | 1           | Screw-HH               |
| 11          | 32128-33           | 2           | Nut-HF                | 27          | 1-323430           | 1           | Module-Interlock       |
| 12          | 3290-500           | 4           | Screw-PPH             | 28          | 1-603727           | 1           | Clip-Loom              |
| 13          | 1-323174           | 1           | Arm-Linkage, Assist   | 29          | 3256-22            | 1           | Washer-Flat            |
| 14          | 1-806003           | 4           | Pin-Cotter, Hair      | 30          | 3296-42            | 1           | Nut-Lock, NI           |
| 15          | 3219-2             | 1           | Nut-Hex               | 31          | 1-543296           | 1           | Grommet                |
| 16          | 1-303105           | 1           | Yoke-Adjustable       | 32          | 1-303287           | 3           | Tie-Cable              |
| 17          | 1-808280           | 1           | Pin-Clevis            |             |                    |             |                        |

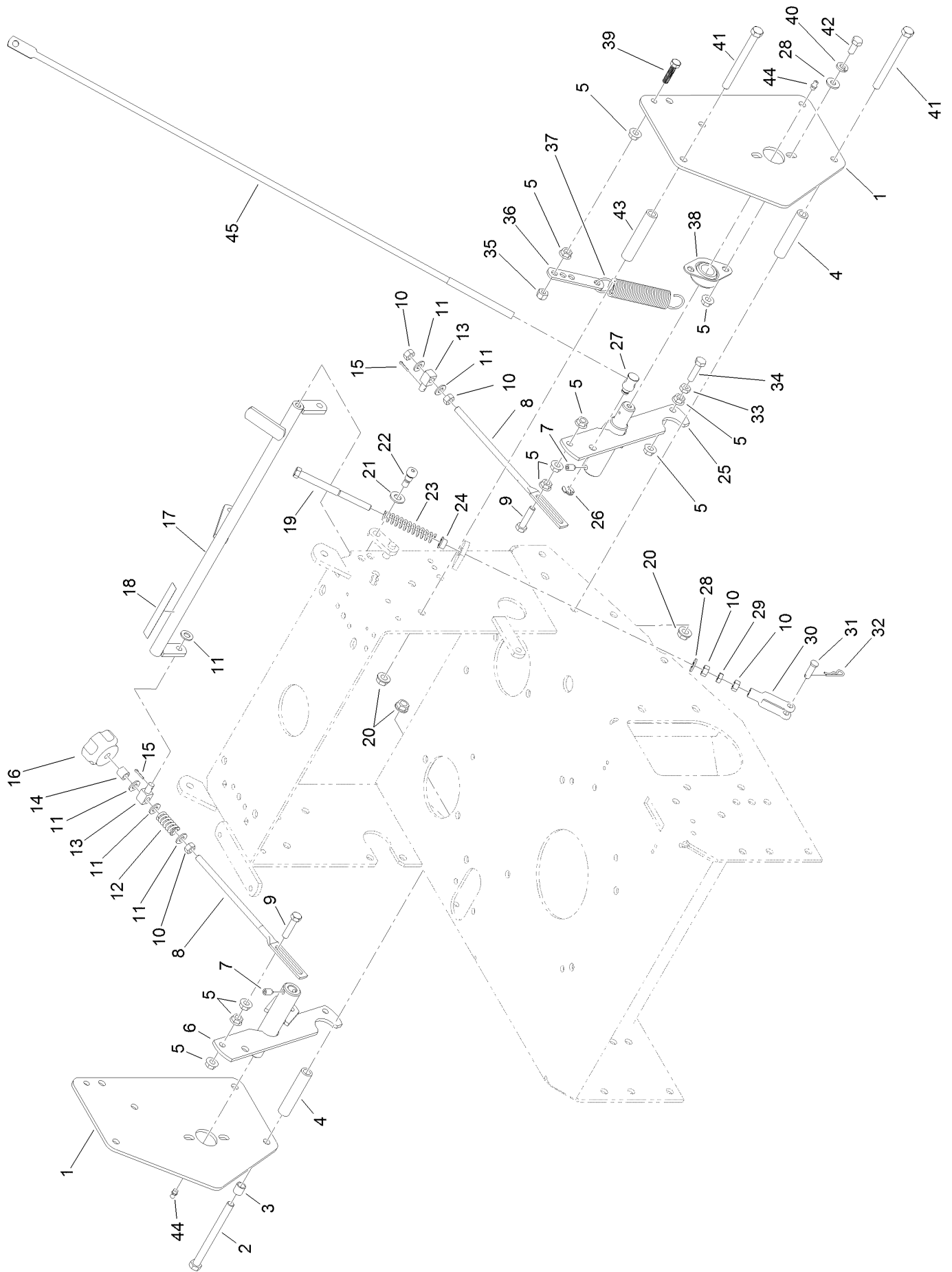


## Hydraulic System Assembly

| Ref.  | Part Number | Qty. | Description            | Ref.   | Part Number | Qty. | Description         |
|-------|-------------|------|------------------------|--------|-------------|------|---------------------|
| 1     | 107-8433    | 1    | HYD Reservoir ASM      | 9      | 321-3       | 2    | Screw-HH            |
| 1:1   |             | 1    | Reservoir-HYD ●        | 10     | 1-805004    | 2    | Washer-Lock         |
| 1:1:1 | 103-1948    | 1    | Cap-Reservoir, HYD     | 11     | 103-2889    | 1    | Filter Head ASM     |
| 1:1:2 | 103-1949    | 1    | Gasket-Cap             | 11:2   | 103-1912    | 2    | Adapter-Straight    |
| 1:2   | 115-4212    | 1    | Decal-Warning          | 11:2:1 | 237-42      | 1    | O-Ring              |
| 2     | 103-1801    | 1    | Adapter-Straight       | 12     | 1-633750    | 1    | Filter-Oil, HYD     |
| 2:1   | 237-42      | 1    | O-Ring                 | 13     | 116-0918    | 1    | Case Drain Hose ASM |
| 3     | 103-1807    | 1    | Fitting-Barbed, 45 DEG | 14     | 103-1799    | 2    | Elbow-90 DEG        |
| 3:1   | 237-42      | 1    | O-Ring                 | 14:1   | 237-42      | 1    | O-Ring              |
| 4     | 103-1716    | 3    | Clamp-Hose             | 15     | 103-1802    | 2    | Fitting-HYD, 90 DEG |
| 5     | 103-1988    | 3    | Clamp-Hose             | 15:1   | 1-603921    | 1    | O-Ring              |
| 6     | 119-7827    | 2    | HYD Hose ASM           | 16     | 116-2123    | 1    | Charge Hose ASM     |
| 7     | 119-7826    | 2    | HYD Hose ASM           | 17     | 103-2959    | 1    | Hose-Charge         |
| 8     | 1-603991    | 4    | Fitting-Straight       | 18     | 1-603990    | 4    | Fitting-Straight    |
| 8:1   | 237-80      | 1    | O-Ring                 | 18:1   | 1-603920    | 1    | O-Ring              |
| 8:2   | 1-603992    | 1    | O-Ring                 | 18:2   | 1-603992    | 1    | O-Ring              |

● Not serviced separately

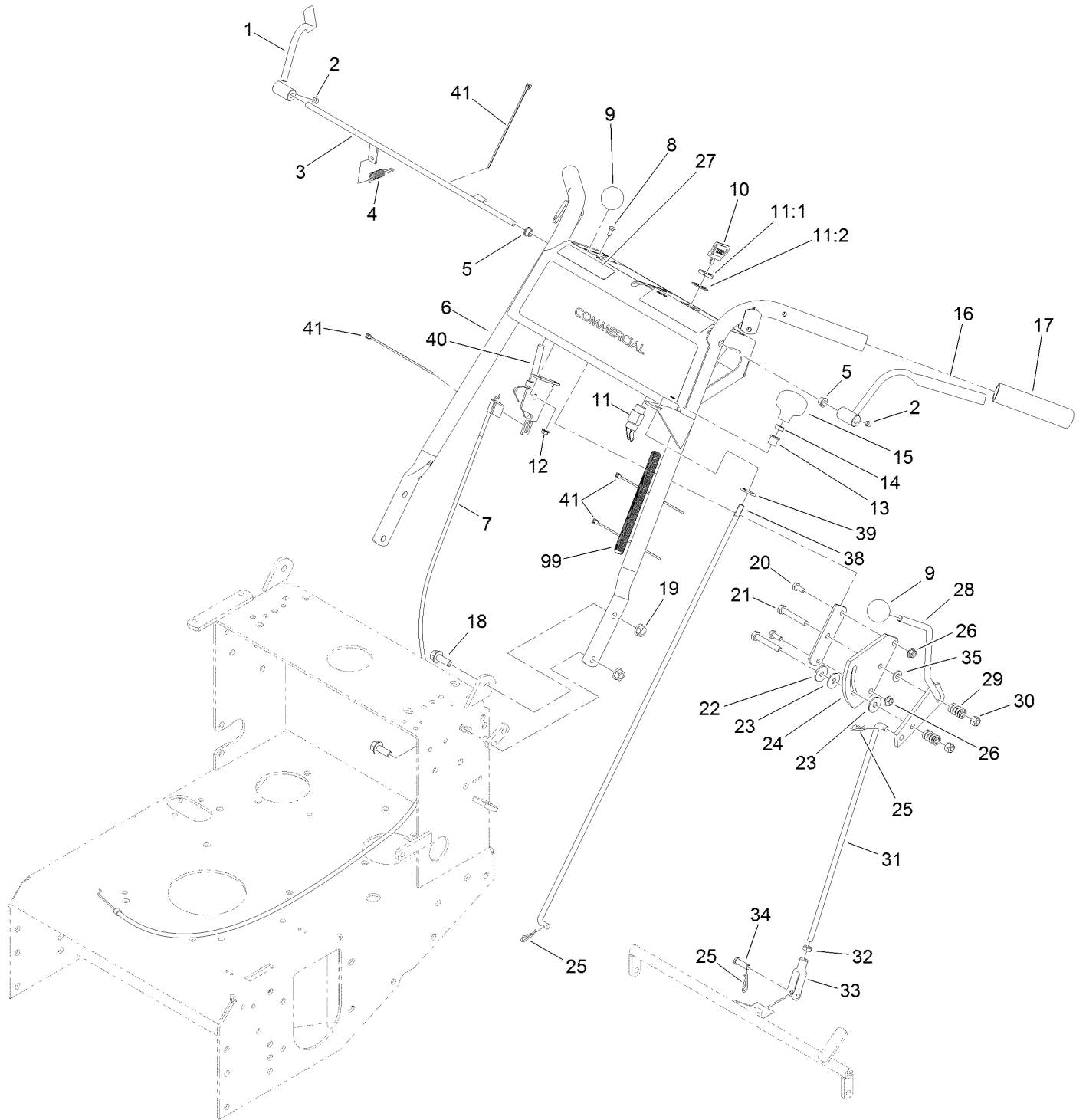
# Lower Control Assembly



## Lower Control Assembly (continued)

| <i>Ref.</i> | <i>Part Number</i> | <i>Qty.</i> | <i>Description</i>       | <i>Ref.</i> | <i>Part Number</i> | <i>Qty.</i> | <i>Description</i>    |
|-------------|--------------------|-------------|--------------------------|-------------|--------------------|-------------|-----------------------|
| 1           | 110-4897-01        | 2           | Shield-Control           | 24          | 1-603735           | 2           | Bushing-Flanged       |
| 2           | 323-23             | 1           | Screw-HH                 | 25          | 103-1190-01        | 1           | Shaft-Control, LH     |
| 3           | 103-1166           | 1           | Spacer-Tube, Pump Link   | 26          | 32151-47           | 2           | Ring-Retaining        |
| 4           | 1-323197-01        | 4           | Spacer-Shield            | 27          | 103-1235           | 2           | Swivel-Lever, Drive   |
| 5           | 32128-20           | 18          | Nut-HF                   | 28          | 3256-2             | 6           | Washer-Flat           |
| 6           | 103-4796-01        | 1           | Shaft-Control, RH        | 29          | 3220-2             | 2           | Nut-Jam               |
| 7           | 3246-4             | 2           | Screw-Set                | 30          | 1-303105           | 2           | Yoke-Adjustable       |
| 8           | 1-413350           | 2           | Link-Control, Speed      | 31          | 1-808280           | 2           | Pin-Clevis            |
| 9           | 1-403180           | 2           | Screw-HH                 | 32          | 1-806003           | 2           | Pin-Cotter, Hair      |
| 10          | 3219-2             | 7           | Nut-Hex                  | 33          | 3218-2             | 2           | Nut-Jam               |
| 11          | 3256-23            | 7           | Washer-Flat              | 34          | 116-3515           | 2           | Screw-HH, Special     |
| 12          | 1-323245           | 1           | Spring-Compression       | 35          | 3296-29            | 2           | Nut-Lock, NI          |
| 13          | 1-603676           | 2           | Swivel-Adjustable, Short | 36          | 1-613089           | 2           | Tab-Spring, Extension |
| 14          | 1-603903           | 1           | Spacer                   | 37          | 1-603693           | 2           | Spring-Extension      |
| 15          | 3272-5             | 2           | Pin-Cotter               | 38          | 1-633102           | 2           | Bearing-Flange, Side  |
| 16          | 103-3060           | 1           | Knob-Tracking            | 39          | 1-800016           | 2           | Bolt-TAP, HH          |
| 17          | 1-412203-01        | 1           | Crank-Control, Speed     | 40          | 1-805005           | 4           | Washer-Lock           |
| 18          | 130-8375           | 1           | Decal-Tracking           | 41          | 323-16             | 7           | Screw-HH              |
| 19          | 1-603737           | 2           | Bolt-Return, Neutral     | 42          | 322-3              | 4           | Screw-HH              |
| 20          | 3290-357           | 8           | Nut-HHF, Whiz            | 43          | 1-323195-01        | 4           | Spacer-Shield         |
| 21          | 3256-24            | 2           | Washer-Flat              | 44          | 302-19             | 2           | Fitting-Grease        |
| 22          | 1-809056           | 2           | Screw-HSH                | 45          | 1-413219           | 2           | Rod-Lever, Drive      |
| 23          | 1-603807           | 2           | Spring-Return, Neutral   |             |                    |             |                       |

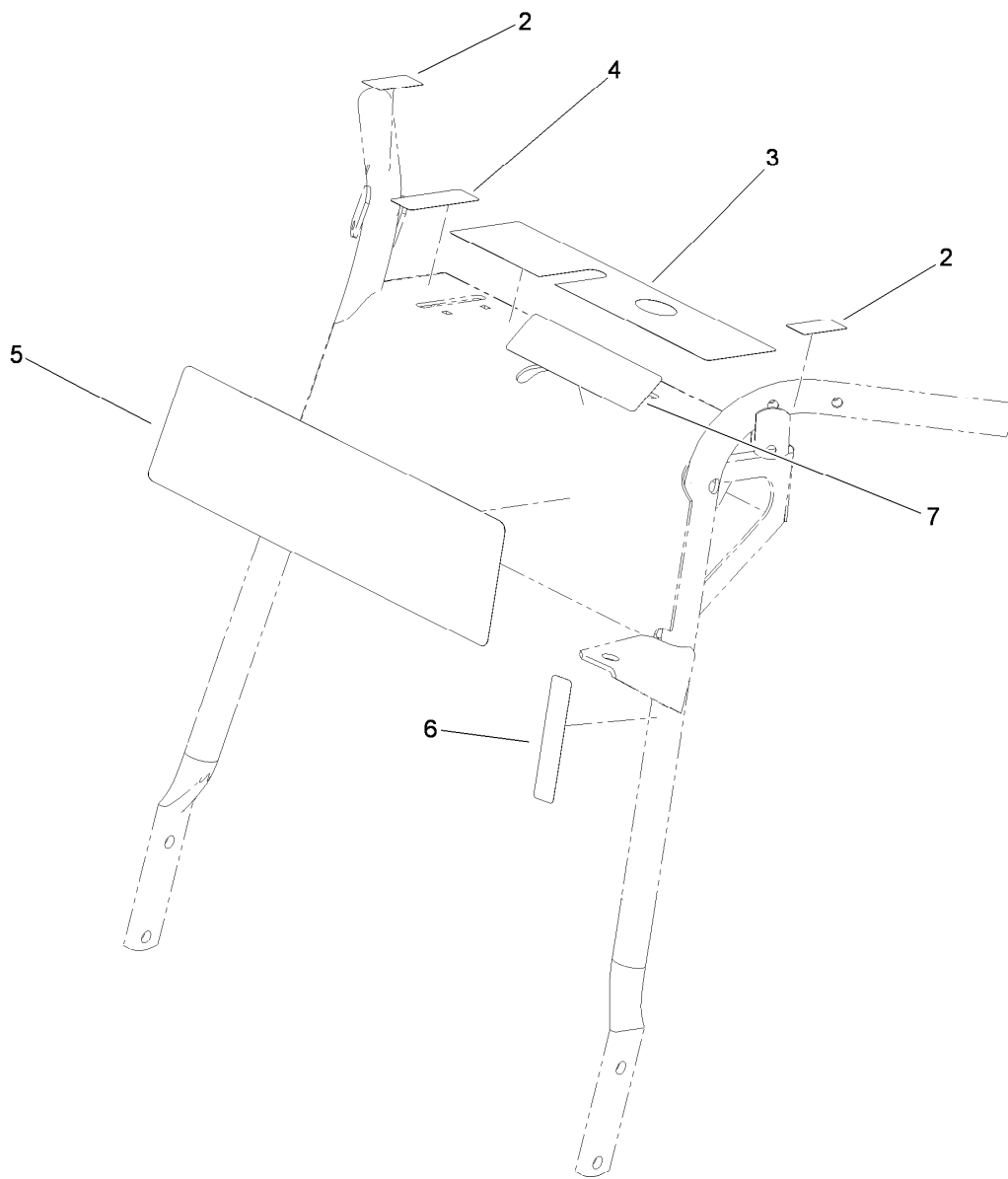
# Upper Control Assembly





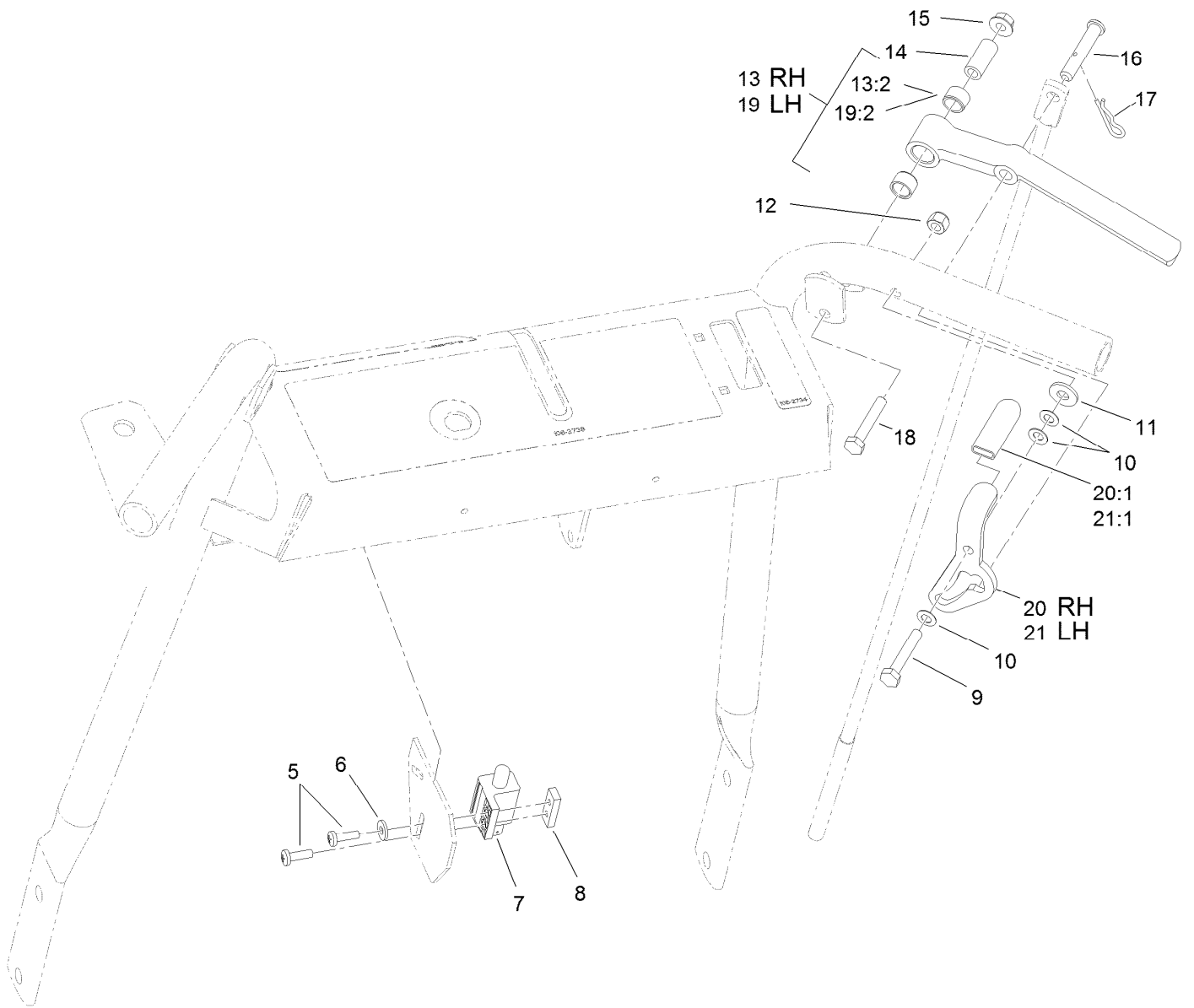
## Upper Control Assembly (continued)

| <i>Ref.</i> | <i>Part Number</i> | <i>Qty.</i> | <i>Description</i>                        | <i>Ref.</i> | <i>Part Number</i> | <i>Qty.</i> | <i>Description</i>    |
|-------------|--------------------|-------------|---|-------------|--------------------|-------------|-----------------------|
| 1           | 106-5486           | 1           | RH Operator Presence<br>Control Lever ASM | 19          | 32128-21           | 4           | Nut-HF                |
| 2           | 1-803322           | 2           | Screw-Set                                 | 20          | 321-3              | 2           | Screw-HH              |
| 3           | 106-2717-03        | 1           | Rod-Control, Operator<br>Presence         | 21          | 322-10             | 2           | Screw-HH              |
| 4           | 1-303363           | 1           | Spring-Extension                          | 22          | 1-603716           | 1           | Washer-Friction       |
| 5           | 1-303365           | 2           | Bushing-Nylon                             | 23          | 1-323244           | 2           | Washer-Friction       |
| 6           | 119-6538           | 1           | Handle ASM                                | 24          | 1-603730           | 1           | Plate-Lever, Shifter  |
| 7           | 119-1823           | 1           | Cable-Control, Throttle                   | 25          | 1-806003           | 3           | Pin-Cotter, Hair      |
| 8           | 1-807513           | 2           | Bolt-CARR                                 | 26          | 32128-33           | 2           | Nut-HF                |
| 9           | 1-603175           | 2           | Knob-Ball                                 | 27          | 117-2718           | 1           | Decal-Arrester, Spark |
| 10          | 63-8360            | 1           | Key-Ignition                              | 28          | 106-2748           | 1           | Lever-Shift           |
| 11          | 29-5560            | 1           | Switch-On / Off                           | 29          | 1-323245           | 2           | Spring-Compression    |
| 11:1        | 218-461            | 1           | Nut-HH                                    | 30          | 3296-29            | 2           | Nut-Lock, NI          |
| 11:2        | 3254-5             | 1           | Washer-Tooth, Internal                    | 31          | 1-323522           | 1           | Rod-Control, Speed    |
| 12          | 32128-17           | 2           | Nut-Lock, Flange                          | 32          | 3220-2             | 1           | Nut-Jam               |
| 13          | 1-323143           | 1           | Bearing-Nylon                             | 33          | 1-303105           | 1           | Yoke-Adjustable       |
| 14          | 3218-2             | 1           | Nut-Jam                                   | 34          | 1-808280           | 1           | Pin-Clevis            |
| 15          | 1-323134           | 1           | Knob-Push / Pull                          | 35          | 3256-23            | 1           | Washer-Flat           |
| 16          | 106-5485           | 1           | LH Operator Presence<br>Control Lever ASM | 38          | 1-323181           | 1           | Linkage-Blade         |
| 17          | 104-9838           | 2           | Grip-Foam                                 | 39          | 1-323142           | 1           | Nut-Push              |
| 18          | 3234-11            | 4           | Screw-HHF                                 | 40          | 110-5547           | 1           | Lever-Control         |
|             |                    |             |   | 41          | 1-303287           | 4           | Tie-Cable             |
|             |                    |             |   | 99          | 116-2611           | 1           | Harness-Wiring        |



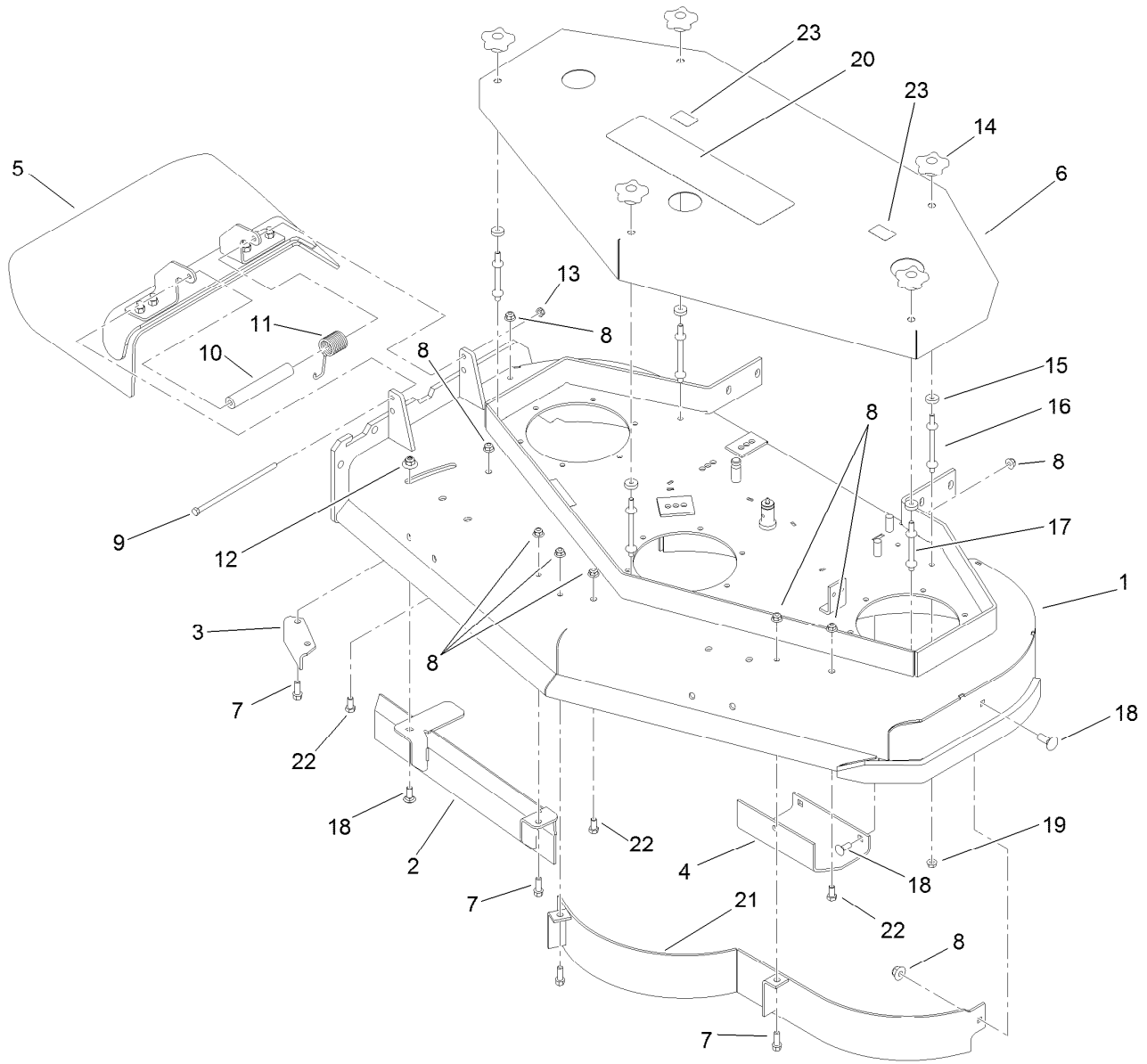
## Handle Assembly No. 119-6538

| <i>Ref.</i> | <i>Part Number</i> | <i>Qty.</i> | <i>Description</i>   |
|-------------|--------------------|-------------|----------------------|
| 2           | 130-8370           | 2           | Decal-Lock,Neutral   |
| 3           | 115-1038           | 1           | Decal-Panel, Control |
| 4           | 106-2733           | 1           | Decal-Throttle       |
| 5           | 110-6917           | 1           | Decal                |
| 6           | 95-5537            | 1           | Decal-Engage, Deck   |
| 7           | 95-5852            | 1           | Decal - Slope, Int'l |



## Drive Lever Assembly

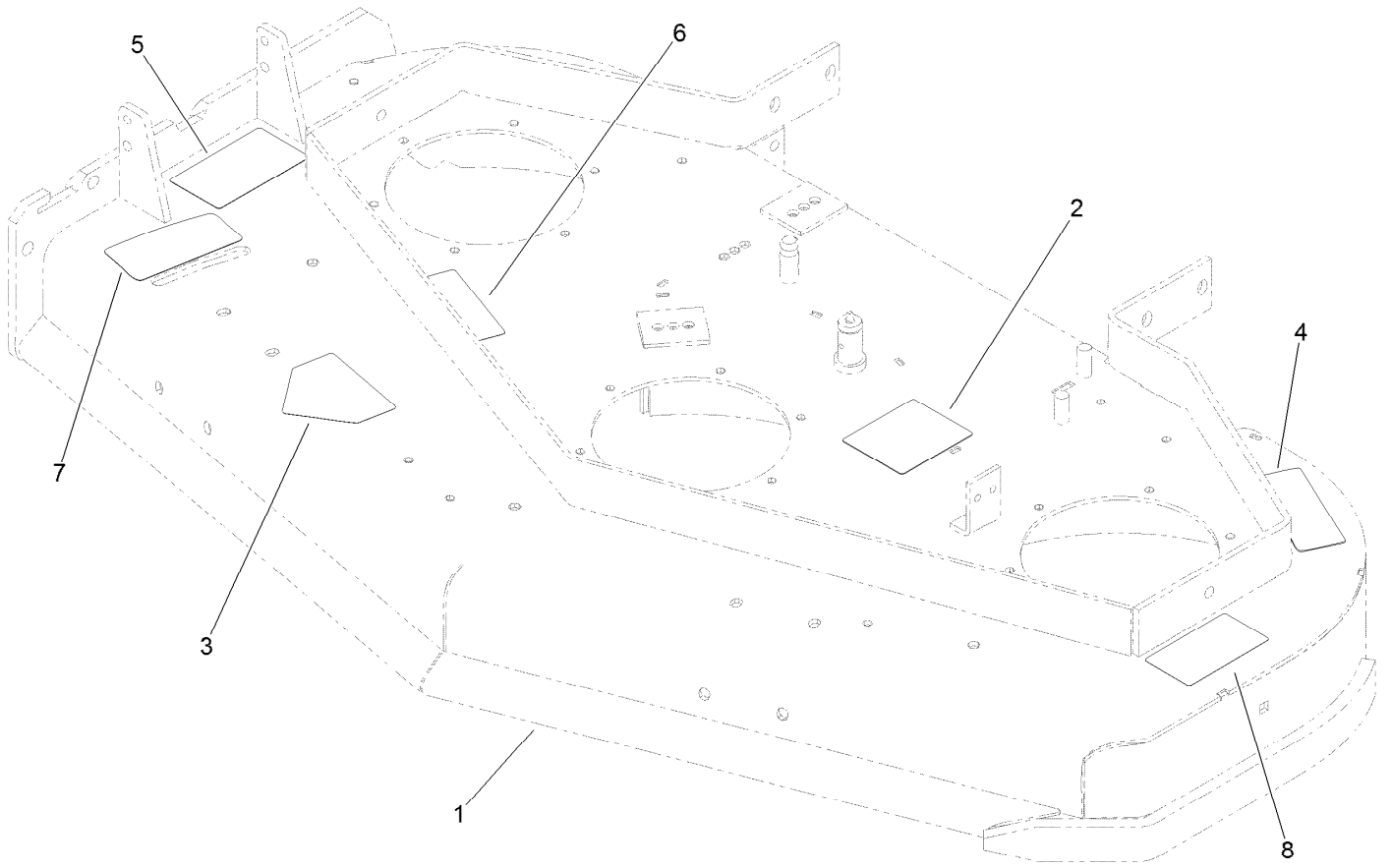
| <i>Ref.</i> | <i>Part Number</i> | <i>Qty.</i> | <i>Description</i>    | <i>Ref.</i> | <i>Part Number</i> | <i>Qty.</i> | <i>Description</i>    |
|-------------|--------------------|-------------|-----------------------|-------------|--------------------|-------------|-----------------------|
| 5           | 3290-500           | 2           | Screw-PPH             | 15          | 32128-33           | 2           | Nut-HF                |
| 6           | 3256-14            | 1           | Washer-Flat           | 16          | 1-613055           | 2           | Pin-Clevis            |
| 7           | 1-513051           | 1           | Switch-Open, Normally | 17          | 1-806003           | 2           | Pin-Cotter, Hair      |
| 8           | 1-633181           | 1           | Plate-Tapped          | 18          | 321-9              | 2           | Screw-HH              |
| 9           | 321-10             | 2           | Screw-HH              | 19          | 103-0218           | 1           | LH Drive Lever ASM    |
| 10          | 1-303435           | 6           | Washer-Spring         | 19:2        | 1-413152           | 2           | Bushing-Sleeve        |
| 11          | 3256-2             | 2           | Washer-Flat           | 20          | 1-612168           | 1           | RH Latch And Grip ASM |
| 12          | 3296-42            | 2           | Nut-Lock, NI          | 20:1        | 1-303019           | 1           | Grip-Latch            |
| 13          | 103-0219           | 1           | RH Drive Lever ASM    | 21          | 1-612167           | 1           | LH Latch Grip ASM     |
| 13:2        | 1-413152           | 2           | Bushing-Sleeve        | 21:1        | 1-303019           | 1           | Grip-Latch            |
| 14          | 1-603749           | 2           | Bushing-Lever, Drive  |             |                    |             |                       |



## Deck Assembly

| <i>Ref.</i> | <i>Part Number</i> | <i>Qty.</i> | <i>Description</i> |
|-------------|--------------------|-------------|--------------------|
| 1           | 110-4909           | 1           | Deck ASM           |
| 2           | 121-1775-03        | 1           | Baffle             |
| 3           | 110-0744-01        | 1           | Baffle-Discharge   |
| 4           | 107-3166-01        | 1           | Skid               |
| 5           | 110-0758           | 1           | Deflector ASM      |
| 6           | 110-2119-01        | 1           | Cover              |
| 7           | 92-1624            | 5           | Screw-HWH          |
| 8           | 104-8301           | 12          | Nut-Flange, NI     |
| 9           | 322-50             | 1           | Screw-HH           |
| 10          | 105-4622           | 1           | Spacer             |
| 11          | 108-4052           | 1           | Spring-Torsion     |
| 12          | 109-6658           | 1           | Nut-Flange, NI     |

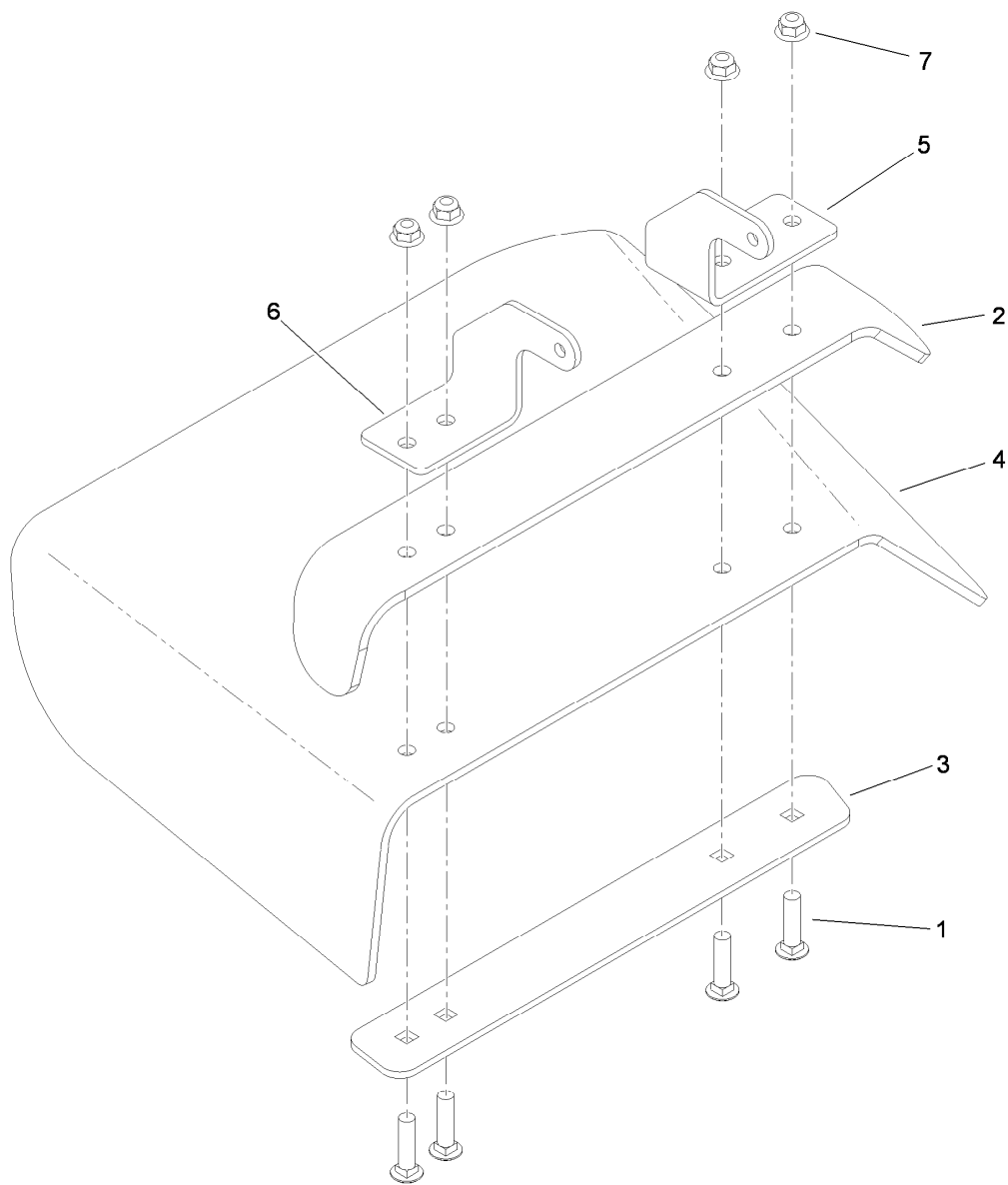
| <i>Ref.</i> | <i>Part Number</i> | <i>Qty.</i> | <i>Description</i>         |
|-------------|--------------------|-------------|----------------------------|
| 13          | 3296-47            | 1           | Nut-Lock, NI               |
| 14          | 106-4161           | 5           | Knob-Handle                |
| 15          | 1-323417           | 5           | Washer                     |
| 16          | 1-303536           | 3           | Stud-Shield, Belt (Long)   |
| 17          | 1-303537           | 2           | Stud-Shield, Belt (Short)  |
| 18          | 3231-2             | 5           | Bolt-CARR                  |
| 19          | 32128-20           | 5           | Nut-HF                     |
| 20          | 112-9712           | 1           | Decal                      |
| 21          | 110-0735-03        | 1           | Baffle                     |
| 22          | 323-4              | 3           | Screw-HH                   |
| 23          | 106-5517           | 2           | Decal-Warning, Hot Surface |



## Deck Decal Assembly No. 110-4909

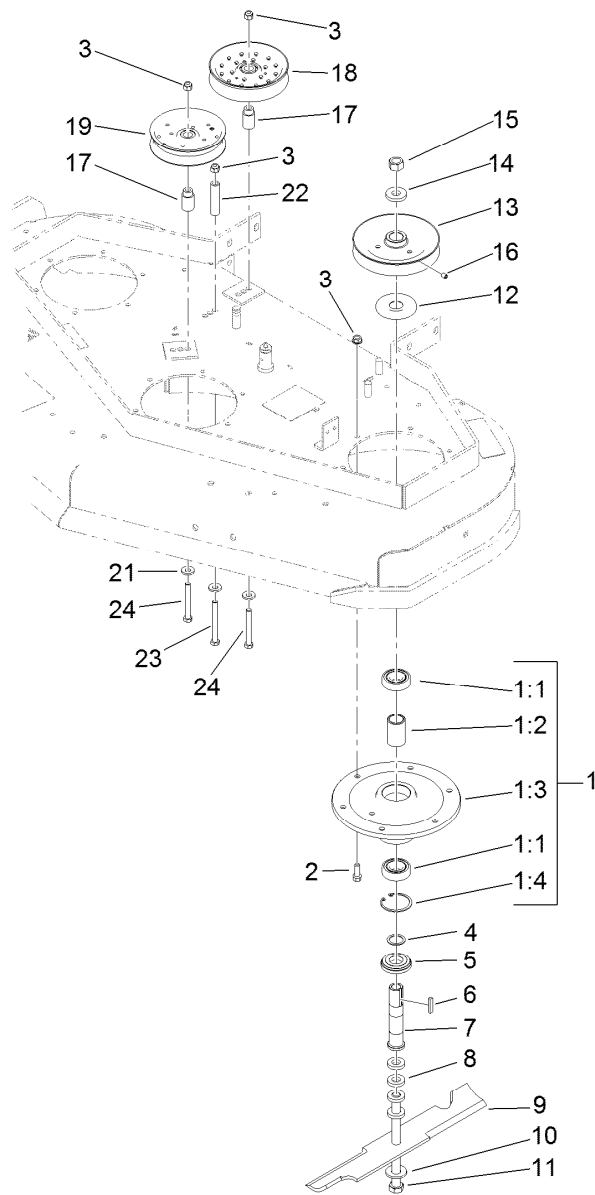
| <i>Ref.</i> | <i>Part Number</i> | <i>Qty.</i> | <i>Description</i>       |
|-------------|--------------------|-------------|--------------------------|
| 1           |                    | 1           | 48 Inch Deck ASM ●       |
| 2           | 99-3943            | 1           | Decal-Routing, Belt      |
| 3           | 112-8760           | 1           | Decal-Danger             |
| 4           | 98-5130            | 1           | Decal-Torque, Bolt       |
| 5           | 121-6049           | 1           | Decal-Danger             |
| 6           | 112-9028           | 2           | Decal-Cover Missing      |
| 7           | 131-1180           | 1           | Decal-Adjustment, Baffle |
| 8           | 93-7010            | 1           | Decal-Danger             |

● Not serviced separately



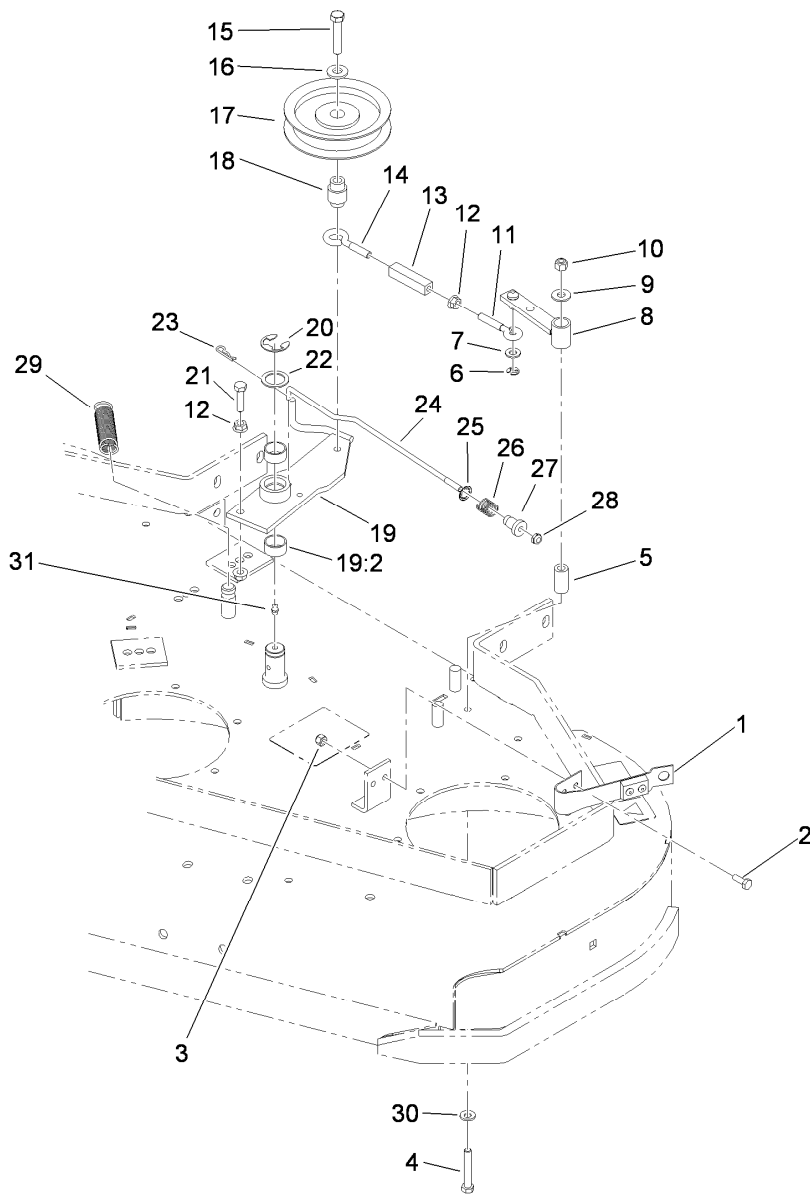
## Deflector Assembly No. 110-0758

| <i>Ref.</i> | <i>Part Number</i> | <i>Qty.</i> | <i>Description</i>   |
|-------------|--------------------|-------------|----------------------|
| 1           | 3231-4             | 4           | Screw-CARR           |
| 2           | 106-3246-01        | 1           | Deflector            |
| 3           | 106-3248-03        | 1           | Strap-Discharge      |
| 4           | 110-0759           | 1           | Deflector-Rubber     |
| 5           | 107-4197-01        | 1           | Bracket-Hinge, Rear  |
| 6           | 107-4196-01        | 1           | Bracket-Hinge, Front |
| 7           | 104-8301           | 4           | Nut-Flange, NI       |



## Sheave, Spindle and Blade Assembly

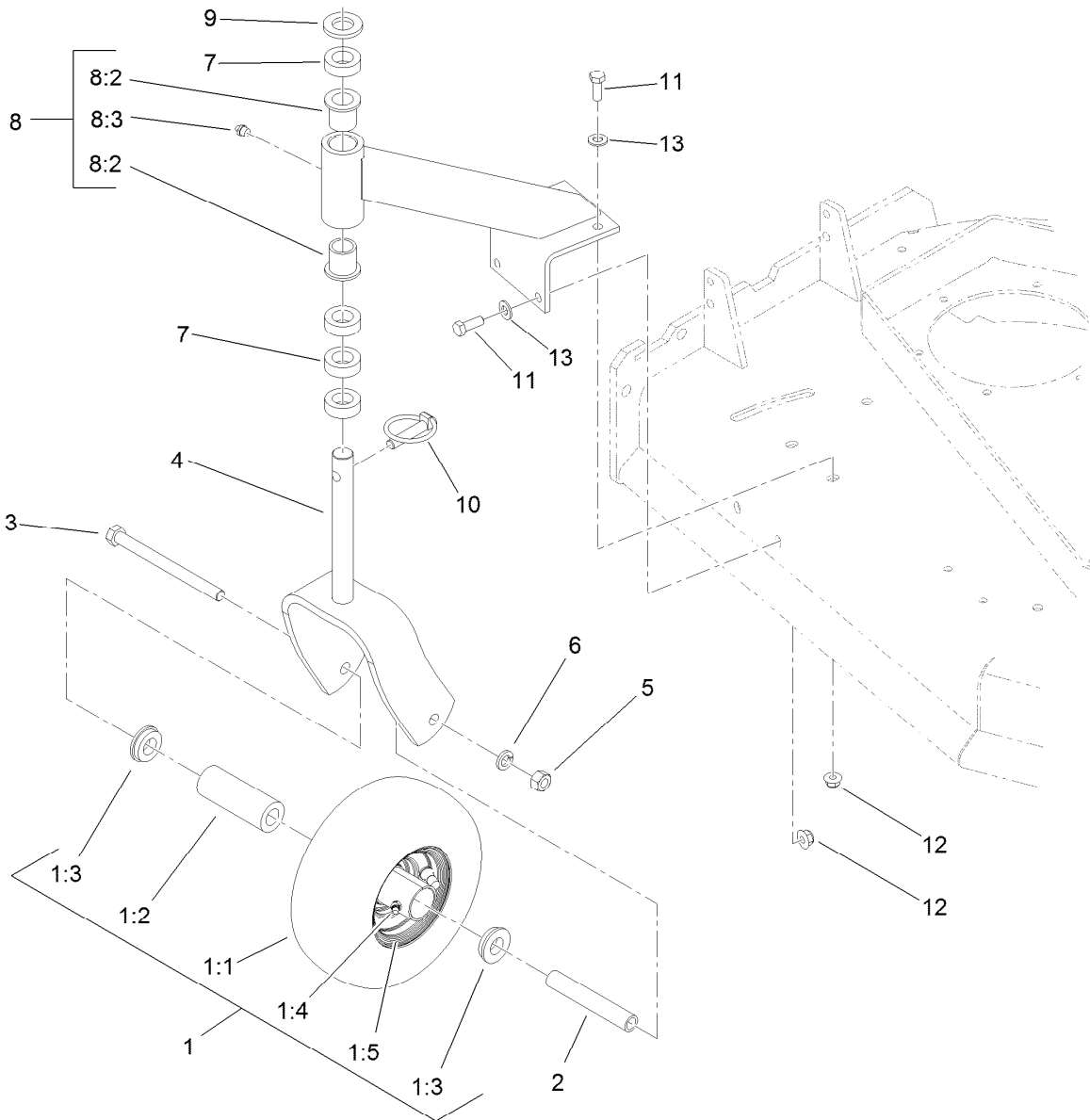
| Ref. | Part Number | Qty. | Description                 | Ref. | Part Number | Qty. | Description             |
|------|-------------|------|-----------------------------|------|-------------|------|-------------------------|
| 1    | 108-6697    | 3    | Spindle Housing ASM         | 11   | 1-800861    | 3    | Screw-Cap, HH           |
| 1:1  | 119-7857    | 2    | Bearing-Ball, 1 Inch        | 12   | 103-1330    | 3    | Guard-Bearing, Top      |
| 1:2  | 110-2116    | 1    | Spacer-Bearing              | 13   | 1-403183    | 3    | Sheave                  |
| 1:3  | 108-6694    | 1    | Housing-Spindle             | 14   | 1-323339    | 3    | Washer-Retainer, Sheave |
| 1:4  | 32120-8     | 1    | Ring-Snap                   | 15   | 3219-6      | 3    | Nut-Hex                 |
| 2    | 92-1624     | 18   | Screw-HWH                   | 16   | 3246-18     | 3    | Setscrew                |
| 3    | 104-8301    | 21   | Nut-Flange, NI              | 17   | 1-413113    | 2    | Bushing-Idler           |
| 4    | 110-4888    | 3    | Washer-Spacer               | 18   | 116-4665    | 1    | Idler-Pulley, Flat      |
| 5    | 103-2535    | 3    | Spacer-Guard, Bottom        | 19   | 1-613098    | 1    | Pulley-Idler            |
| 6    | 1-807267    | 3    | Key                         | 21   | 98-5975     | 3    | Washer-Belleville       |
| 7    | 1-323529    | 3    | Tube-Spindle, Short         | 22   | 1-403188    | 1    | Spacer                  |
| 8    | 1-323539    | 12   | Spacer                      | 23   | 323-15      | 1    | Screw-HH                |
| 9    | 107-3192-03 | 3    | Blade-16.5 Inch (High Flow) | 24   | 323-14      | 2    | Screw-HH                |
| 10   | 1-513208    | 3    | Washer-Spring               |      |             |      |                         |



## Idler Assembly

| <i>Ref.</i> | <i>Part Number</i> | <i>Qty.</i> | <i>Description</i>  | <i>Ref.</i> | <i>Part Number</i> | <i>Qty.</i> | <i>Description</i>     |
|-------------|--------------------|-------------|---------------------|-------------|--------------------|-------------|------------------------|
| 1           | 1-324372           | 1           | Pad And Spring ASM  | 18          | 1-303434           | 1           | Bushing-Engagement     |
| 2           | 321-4              | 2           | Screw-HH            | 19          | 103-3600           | 1           | Idler Arm ASM          |
| 3           | 3296-42            | 2           | Nut-Lock, NI        | 19:2        | 1-323729           | 2           | Sleeve-Bearing         |
| 4           | 322-10             | 1           | Screw-HH            | 20          | 32151-103          | 1           | Ring-Retaining, EXT    |
| 5           | 1-403179           | 1           | Tube-Pivot          | 21          | 116-3515           | 1           | Screw-HH, Special      |
| 6           | 32120-35           | 1           | Ring-Retaining, EXT | 22          | 1-303352           | 1           | Washer-Spindle         |
| 7           | 3256-23            | 1           | Washer-Flat         | 23          | 1-806003           | 1           | Pin-Cotter, Hair       |
| 8           | 1-322235           | 1           | Arm-Assist          | 24          | 110-4932           | 1           | Rod-Brake              |
| 9           | 3256-3             | 1           | Washer-Flat         | 25          | 1-323748           | 1           | Ring-Push On           |
| 10          | 3296-29            | 1           | Nut-Lock, NI        | 26          | 1-323747           | 1           | Spring-Compression     |
| 11          | 1-303238           | 1           | Eyebolt-Thread, RH  | 27          | 1-323746           | 1           | Spacer-Flanged         |
| 12          | 32128-20           | 3           | Nut-HF              | 28          | 3296-56            | 1           | Nut-Lock, NI           |
| 13          | 1-303236           | 1           | Body-Turnbuckle     | 29          | 1-323071           | 1           | Spring-Extension       |
| 14          | 1-303348           | 1           | Eyebolt-Thread, LH  | 30          | 1-303334           | 1           | Washer-Spring          |
| 15          | 702809             | 1           | Screw-HH            | 31          | 302-40             | 1           | Fitting-Grease, 90 DEG |
| 16          | 98-5975            | 1           | Washer-Belleville   |             |                    |             |                        |
| 17          | 116-3626           | 1           | Pulley-Idler        |             |                    |             |                        |





## Caster Assembly

| Ref. | Part Number | Qty. | Description        | Ref. | Part Number | Qty. | Description     |
|------|-------------|------|--------------------|------|-------------|------|-----------------|
| 1    | 130-4557    | 2    | Wheel And Tire ASM | 6    | 3253-7      | 2    | Washer-Lock     |
| 1:1  |             | 1    | Tire ●             | 7    | 1-303314    | 8    | Spacer-Caster   |
| 1:2  | 1-513809    | 1    | Bearing            | 8    | 110-2130    | 2    | Support ASM     |
| 1:3  | 1-513810    | 2    | Bushing            | 8:2  | 1-303514    | 2    | Bearing-Flanged |
| 1:4  | 302-61      | 1    | Fitting-Grease     | 8:3  | 302-52      | 1    | Fitting-Grease  |
| 1:5  |             | 1    | Wheel ●            | 9    | 1-513338    | 2    | Washer-Flat     |
| 2    | 1-513547    | 2    | Spacer             | 10   | 1-809020    | 2    | Pin             |
| 3    | 325-20      | 2    | Screw-HH           | 11   | 323-6       | 8    | Screw-HH        |
| 4    | 116-7942-01 | 2    | Fork-Caster        | 12   | 104-8301    | 8    | Nut-Flange, NI  |
| 5    | 3217-9      | 2    | Nut-HH             | 13   | 3256-24     | 8    | Washer-Flat     |

● Not serviced separately

# Attachments and Accessories

## For 39938 Commercial Walk-Behind Mower Fixed Deck, Pistol Grip, Hydro Drive with 48in TURBO FORCE Cutting Unit

| <b>Product Name</b>                          | <b>Model/Part</b> |
|--|-------------------|
| Blade-Low Flow, 16.5in.....                  | 107-3193-03       |
| Soft Bag (3 Bushel).....                     | 30104             |
| Blade-Mid Flow, 16.5in .....                 | 107-3194-03       |
| Blade-Atomic, 16.5in .....                   | 107-3195-03       |
| Blade-Recycling, 16.5in.....                 | 107-3196-03       |
| Bagging Enhancement Kit .....                | 108-4091          |
| 48in Recycler Kit.....                       | 110-2060          |
| Sulky.....                                   | 30109             |
| Blade-Hi Flow, 16.5in (6 Pack).....          | 110-0414          |
| Blade-Lo Flow, 16.5in (6 Pack) .....         | 110-0415          |
| Blade-Recycler, 16.5in (6 Pack).....         | 110-0416          |
| Blade-Atomic, 16.5in (6 Pack) .....          | 110-0417          |
| Blade-Mid Flow, 16.5in (6 Pack) .....        | 110-0418          |
| Operator Controlled Discharge Chute Kit..... | 115-4195          |
| Spark Plug .....                             | 92-2153           |
| Oil Filter .....                             | 119-5852          |
| Element-Filter, Air .....                    | 120-7447          |
| Oil-Synthetic, All Season .....              | 117-0066          |
| Toro 4-cycle Sae 30 Oil (32oz Bottle).....   | 38903             |

**Notes:**



**Count on it.**