



Count on it.

Parts Catalog

**Commercial Walk-Behind Mower
Floating Deck, Split Lever, Hydro Drive with
52in TURBO FORCE® Cutting Unit**

Model No. 30489—Serial No. 315000001 and Up



Ordering Replacement Parts

To order replacement parts, please supply the part number, the quantity, and the description of each part desired.

Understanding Reference Numbers

Each identified part in an illustration has a reference number. The reference number for a part also appears in the parts list, along with other information about the part.

This catalog uses two special reference number formats, one to indicate parts in a service assembly and another to indicate the quantity of a given part in an illustration.

Service Assembly Reference Numbers

Parts in service assemblies have reference numbers in the form a:b. The a represents the reference number of the entire service assembly and the b represents a sequential number unique to each part within the service assembly.

For example, a wheel assembly might be identified by reference number 6, the tire by 6:1, the valve by 6:2, and the wheel by 6:3. When you order the assembly identified by reference number 6, you receive all parts identified by reference numbers 6:1, 6:2, and 6:3. However, you may also order any part individually. Reference numbers of this type appear in illustration and in parts lists.

Reference Numbers Indicating Quantity

In an illustration, if a reference number indicates more than one part, the reference number has the form nX y. The n represents the quantity of the part, the X is the multiplication symbol, and the y represents the reference number.

For example, in an illustration, the reference number 2X 37 means that two of the parts identified by reference number 37 are indicated.

List of Abbreviations

AR: as required

ASM: assembly

BBC: blade brake control

BHTF: button head thread forming

CARR: carriage

CCW: counter clockwise

CW: clockwise

DEG: degrees

DPA: Dual Point Adjustment

ECM: electronic control module

EXT: external

FH: flat head

GA: gauge

HD: heavy-duty

HF: hex flange

HH: hex head

HHF: hex head flange

HHFTF: hex head flange thread forming

HJ: hex jam

HLH: hex lag head

HOC: height-of-cut

HP: high pressure

HSBH: hex socket button head

HSFH: hex socket flat head

HSH: hex socket head

HWH: hex washer head

HWHTF: hex washer head thread forming

HYD: hydraulic

LH: left hand

LP: low pressure

LPG: Liquefied Petroleum Gas

NI: nylon insert

NPTF: national pipe thread fine

PFH: phillips flat head

PPH: phillips pan head

PPHTF: phillips pan head thread forming

PRH: phillips round head

PTH: phillips truss head

PTO: power-take-off

RH: right hand

ROPS: roll-over protection system

RRB: rear roller brush

SFH: slotted fillister head

SHH: slotted hex head

SHWH: slotted hex washer head

SPH: slotted pan head

SQH: square head

SRH: slotted round head

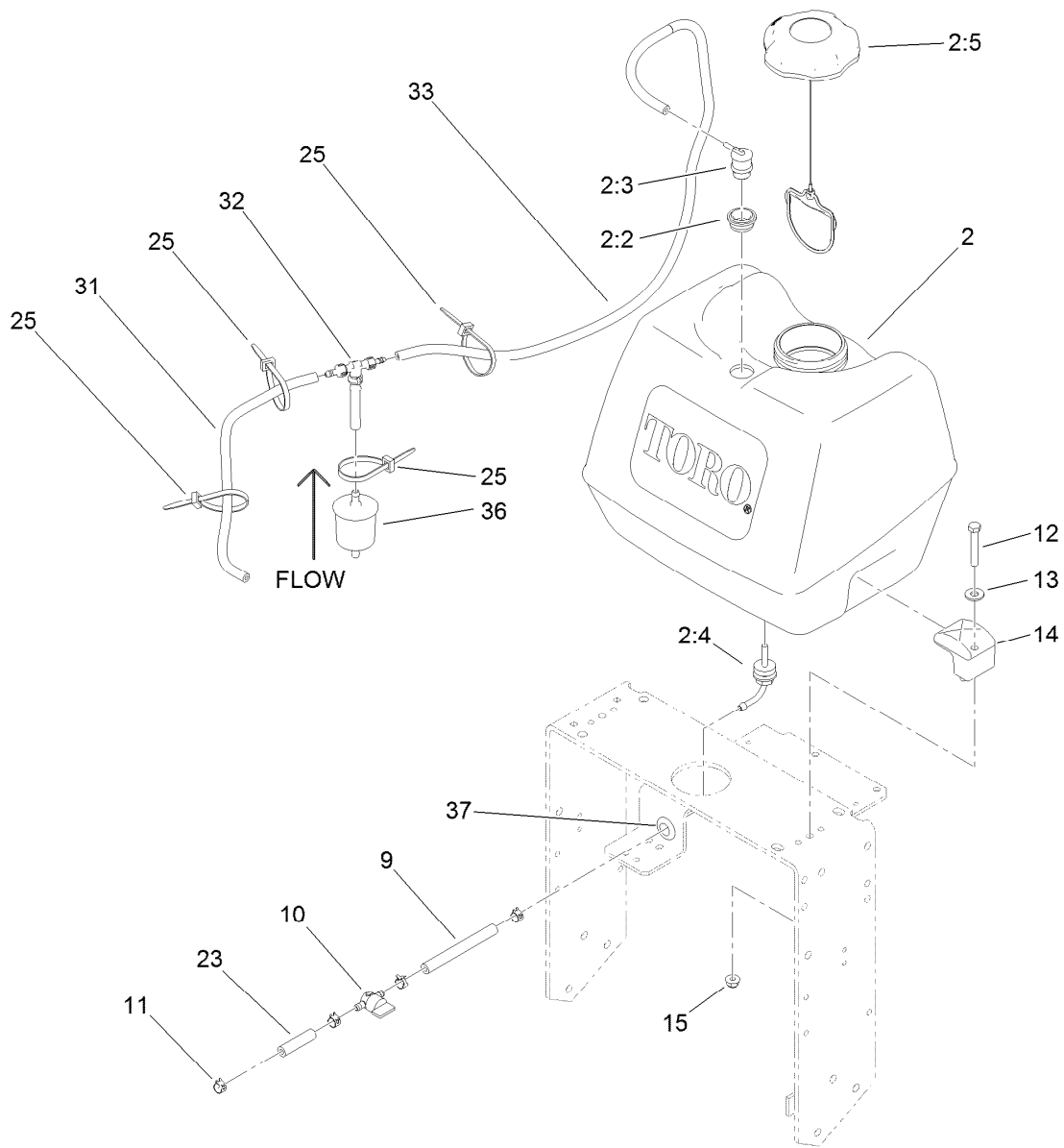
STD: standard

TAP: self tapping

TTH: torx truss head

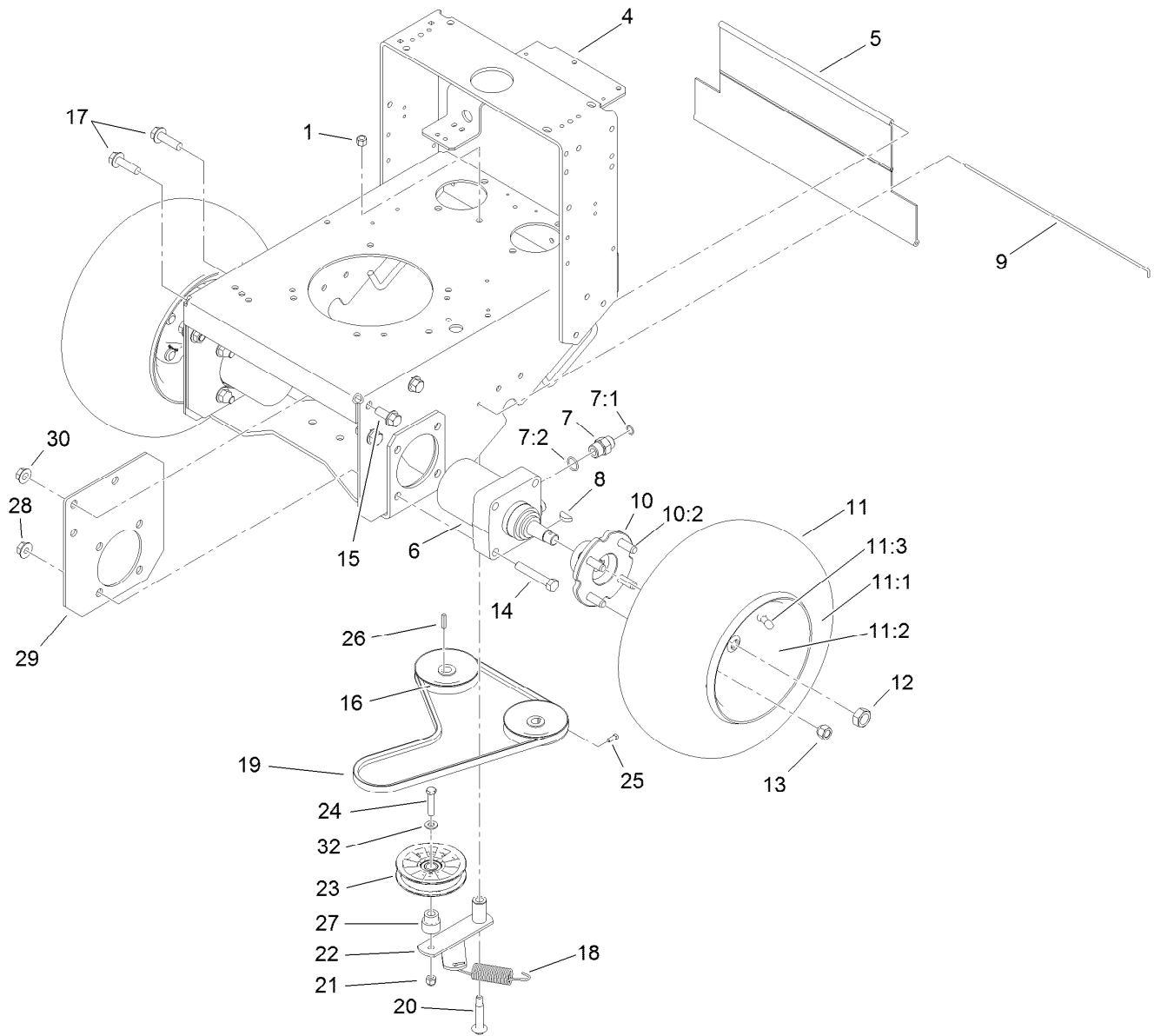
Contents

Engine and Clutch Assembly	4
Fuel System Assembly	5
Ground Drive Assembly	6
Hydraulic Motor Assembly No. 104-1171	7
Hydraulic System Assembly	8
Hydraulic Pump Assembly No. 115-4480	9
Hydraulic Pump Assembly No. 115-4481	10
Hydraulic Hose Assembly	11
Upper Control Assembly	12
Control Panel Assembly	13
Electrical System Assembly	14
Parking Brake Assembly	15
Power-Take-Off Idler and Weight Assembly	16
Carrier Frame Assembly	17
Deck Drive and Baffle Assembly	18
Deck Decal Assembly No. 112-7083	19
Spindle Assembly No. 110-0728	20
Spindle Assembly No. 110-0730	21
Deck Assembly	22
Deflector Assembly No. 110-0758	23
Attachments and Accessories	24



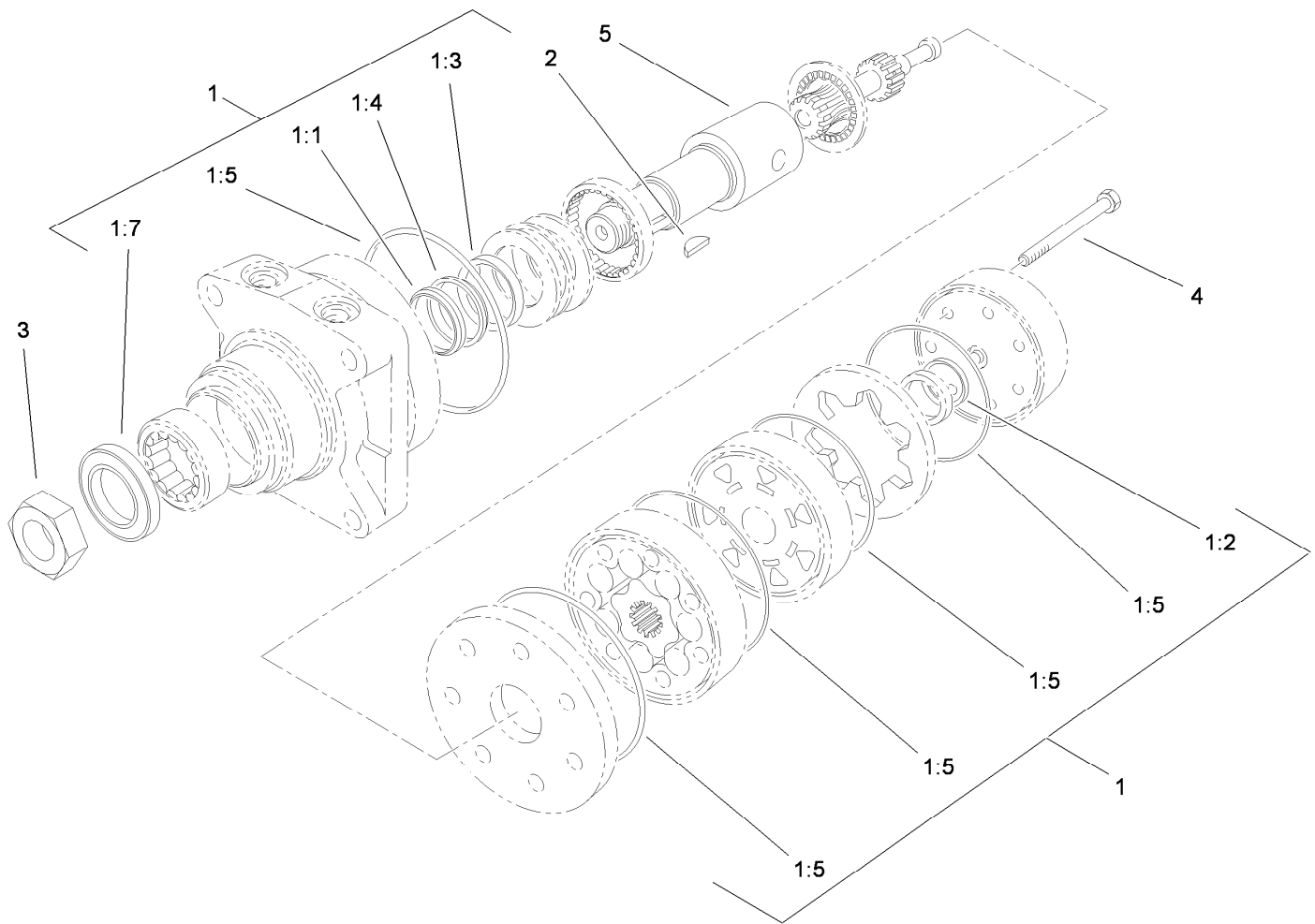
Fuel System Assembly

<i>Ref.</i>	<i>Part Number</i>	<i>Qty.</i>	<i>Description</i>	<i>Ref.</i>	<i>Part Number</i>	<i>Qty.</i>	<i>Description</i>
2	126-1526	1	Fuel Tank ASM	14	107-4543	2	Clamp
2:2	114-0284	1	Grommet	15	104-8300	2	Nut-Flange, NI
2:3	119-3547	1	Valve-Vent, Fuel	23	99-9415	1	Hose-Fuel
2:4	103-2605	1	Fitting-Fuel, Bulkhead	25	3290-378	4	Tie-Cable
2:5	120-5461	1	Cap-Fuel, Ratcheting	31	115-7872	1	Hose-Fuel
9	109-0650	1	Hose-Fuel	32	116-5464	1	Tee And Check
10	1-603770	1	Valve-Fuel	33	116-4346	1	Hose-Emissions
11	2412-98	4	Clamp-Hose	36	120-2235	1	Filter-Fuel
12	322-10	2	Screw-HH	37	112-7069	1	Grommet
13	3256-3	2	Washer-Flat				



Ground Drive Assembly

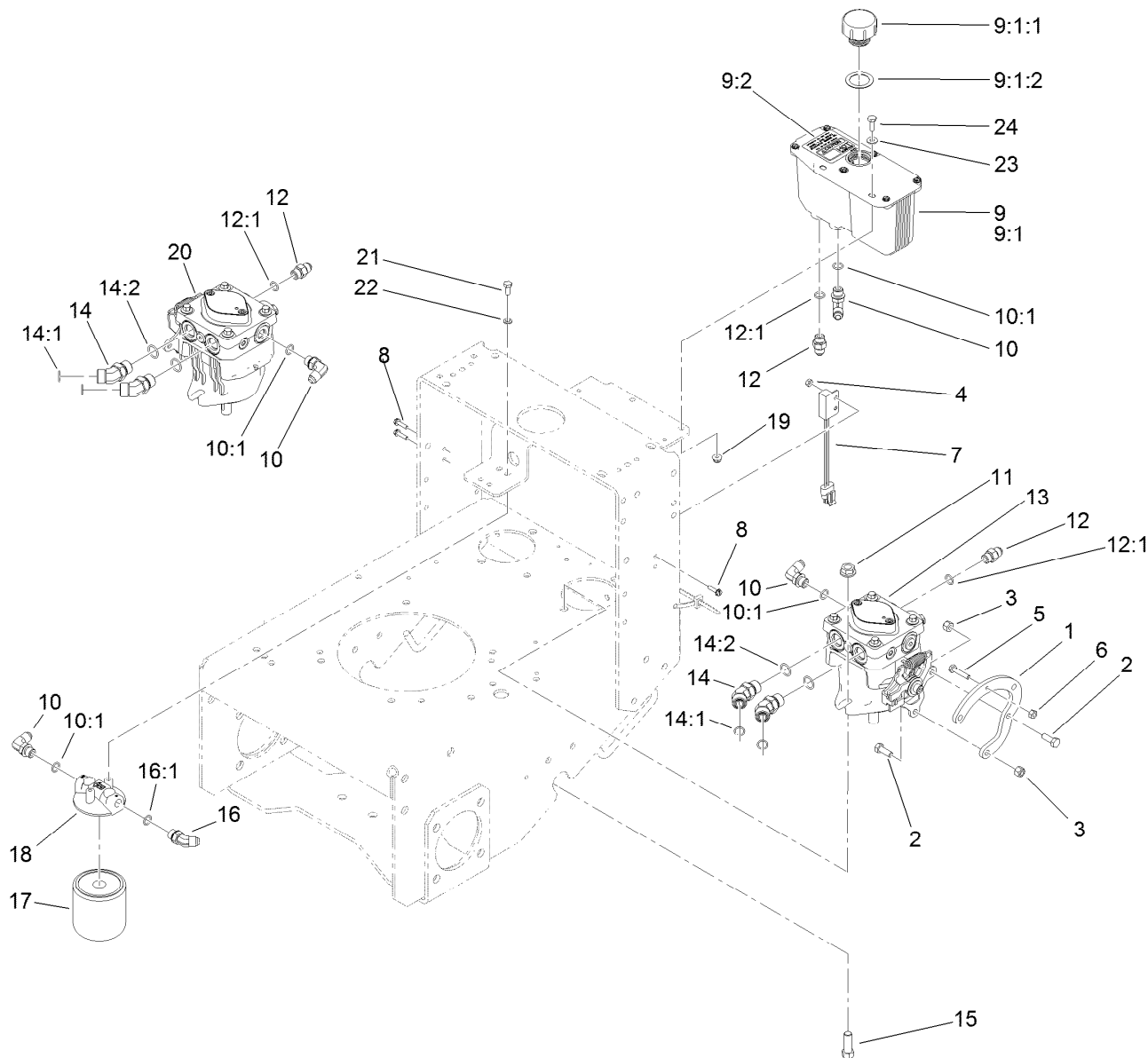
Ref.	Part Number	Qty.	Description	Ref.	Part Number	Qty.	Description
1	3296-6	1	Nut-Lock	15	3234-32	4	Screw-HHF
4	117-3527-01	1	Frame-Hydro	16	105-5648	2	Pulley-Pump
5	95-1526	1	Shield-Trailing	17	3234-22	2	Screw-HHF
6	104-1171	2	HYD Motor ASM	18	68-9950	1	Spring-Traction
7	340-6	4	Fitting-HYD, Straight	19	110-5049	1	Belt-V
7:1	237-30	1	O-Ring	20	27-6230	1	Bolt-Wheel
7:2	237-80	1	O-Ring	21	3296-39	1	Nut-Lock, NI
8	3257-8	2	Key-Woodruff	22	86-4770	1	Idler Lever ASM
9	95-1529	1	Rod-Shield	23	109-4077	1	Pulley-Idler, Flat
10	105-0800	2	Wheel Hub ASM	24	323-9	1	Screw-HH
10:2	10-6830	4	Stud-Type, Drive	25	120-6467	4	Screw-Set, SQH
11	130-4554	2	Wheel And Tire ASM	26	1-807272	2	Key
11:1	104-6320	1	Tire	27	1-603496	1	Bushing-Idler
11:2	130-4568	1	Wheel	28	32128-49	8	Nut-HHF
11:3	232-27	1	Stem-Valve	29	108-6657-01	2	Plate-Frame
12	85-7310	2	Nut-Motor, Wheel	30	32128-23	6	Nut-HF
13	242-50	8	Nut-Lug	32	3256-24	1	Washer-Flat
14	325-12	8	Screw-HH				



Hydraulic Motor Assembly No. 104-1171

Ref.	Part Number	Qty.	Description
1	1-000119	1	Seal Kit
1:1		1	Ring-Back Up ●
1:2		1	Seal-Commutator ●
1:3		1	Seal-Shaft (Viton) ●
1:4		1	Washer-Back Up, Steel ●
1:5		5	Ring-Seal (Viton) ●
1:7		1	Seal-Dirt And Water ●
2	3257-8	1	Key-Woodruff
3	85-7310	1	Nut-Motor, Wheel
4	106-5549	6	Bolt-Special
5	106-8764	1	Shaft-Coupling

● Not serviced separately

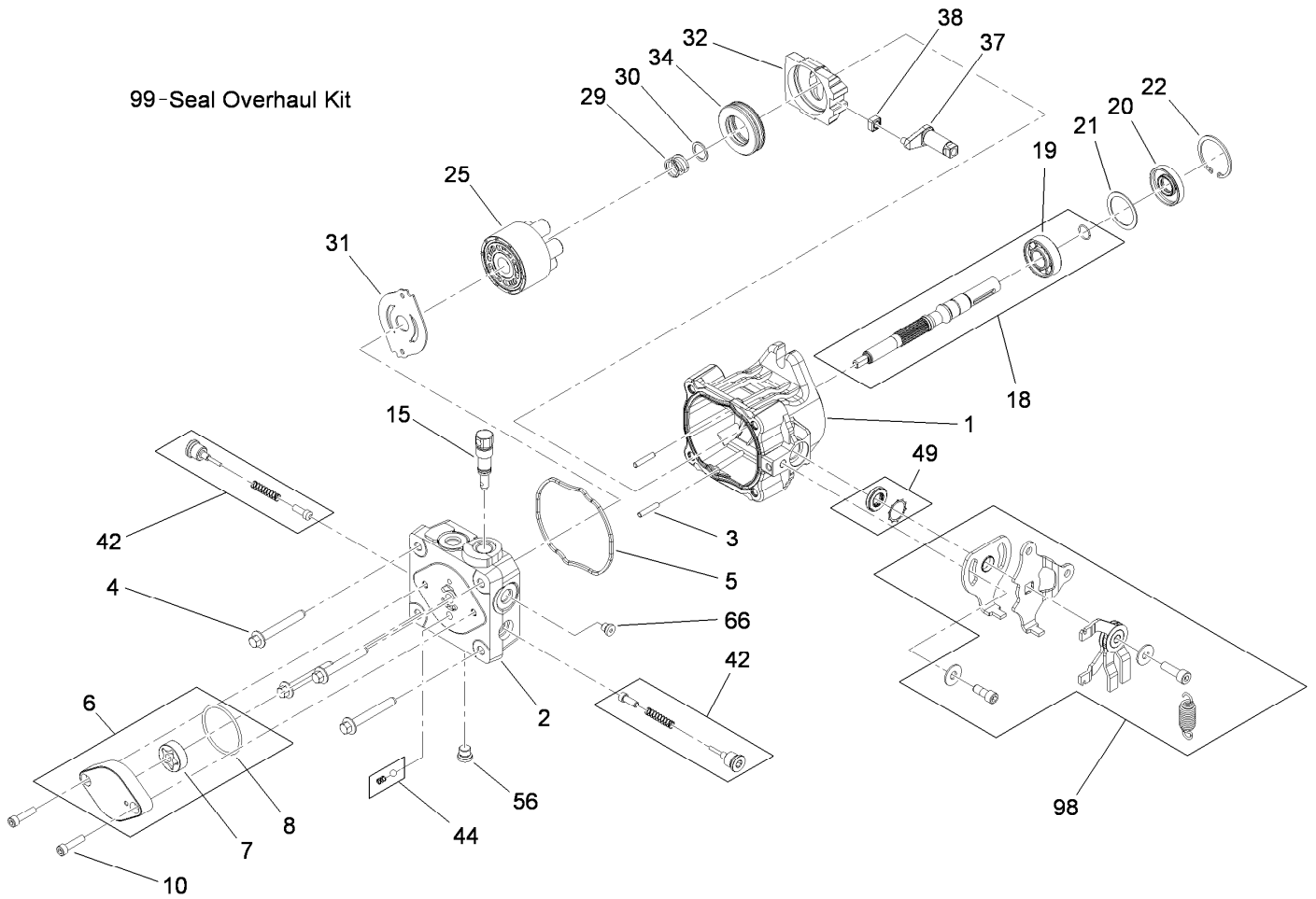


Hydraulic System Assembly

Ref.	Part Number	Qty.	Description	Ref.	Part Number	Qty.	Description
1	114-0227	2	Bracket-Adapter, Pump	12:1	237-42	1	O-Ring
2	322-4	4	Screw-HH	13	115-4480	1	HYD Pump ASM
3	3296-29	4	Nut-Lock, NI	14	340-101	4	Fitting-HYD, 45 DEG
4	3296-2	4	Nut-Lock, NI	14:1	237-30	1	O-Ring
5	114-0282	2	Screw-HH	14:2	237-79	1	O-Ring
6	3217-5	2	Nut-Hex	15	324-5	4	Screw-HH
7	105-0023	2	Switch-Proximity	16	353-212	1	Fitting-Elbow, 45 DEG
8	32105-13	4	Screw-HWH	16:1	237-42	1	O-Ring
9	107-8433	1	HYD Reservoir ASM	17	1-633750	1	Filter-Oil, HYD
9:1		1	Reservoir-HYD ●	17	1-633752	1	Filter-Oil, HYD (Winter)
9:1:1	103-1948	1	Cap-Reservoir, HYD	18	104-7836	1	Head-Filter
9:1:2	103-1949	1	Gasket-Cap	19	104-7201	2	Nut-HF
9:2	115-4212	1	Decal-Warning	20	115-4481	1	HYD Pump ASM
10	353-374	4	Fitting-Elbow, 90 DEG	21	321-3	2	Screw-HH
10:1	237-42	1	O-Ring	22	3253-3	2	Washer-Lock
11	32128-42	4	Nut-HF	23	3256-22	2	Washer-Flat
12	353-384	3	Fitting-Straight	24	321-6	2	Screw-HH

● Not serviced separately

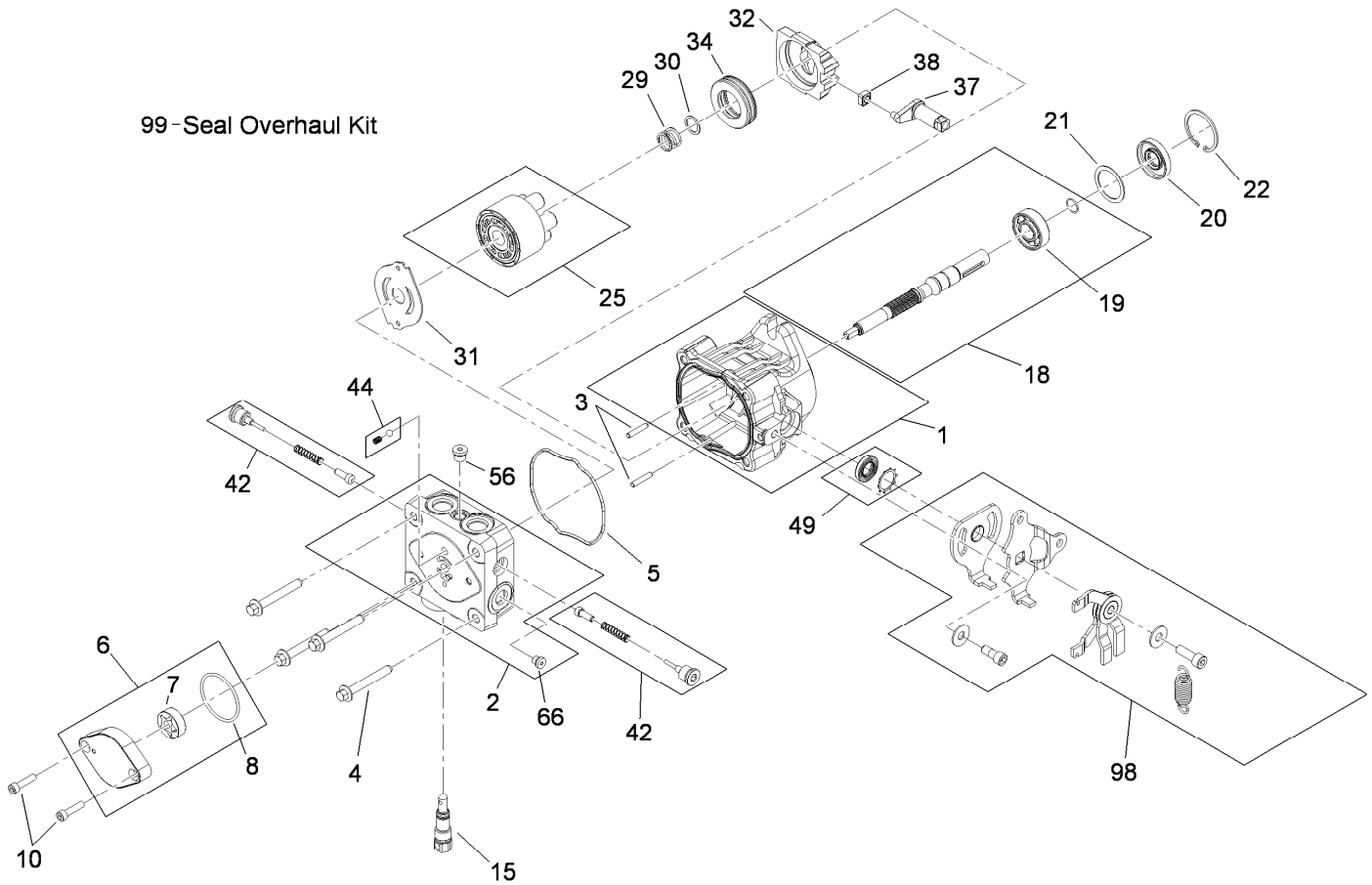
99-Seal Overhaul Kit



Hydraulic Pump Assembly No. 115-4480

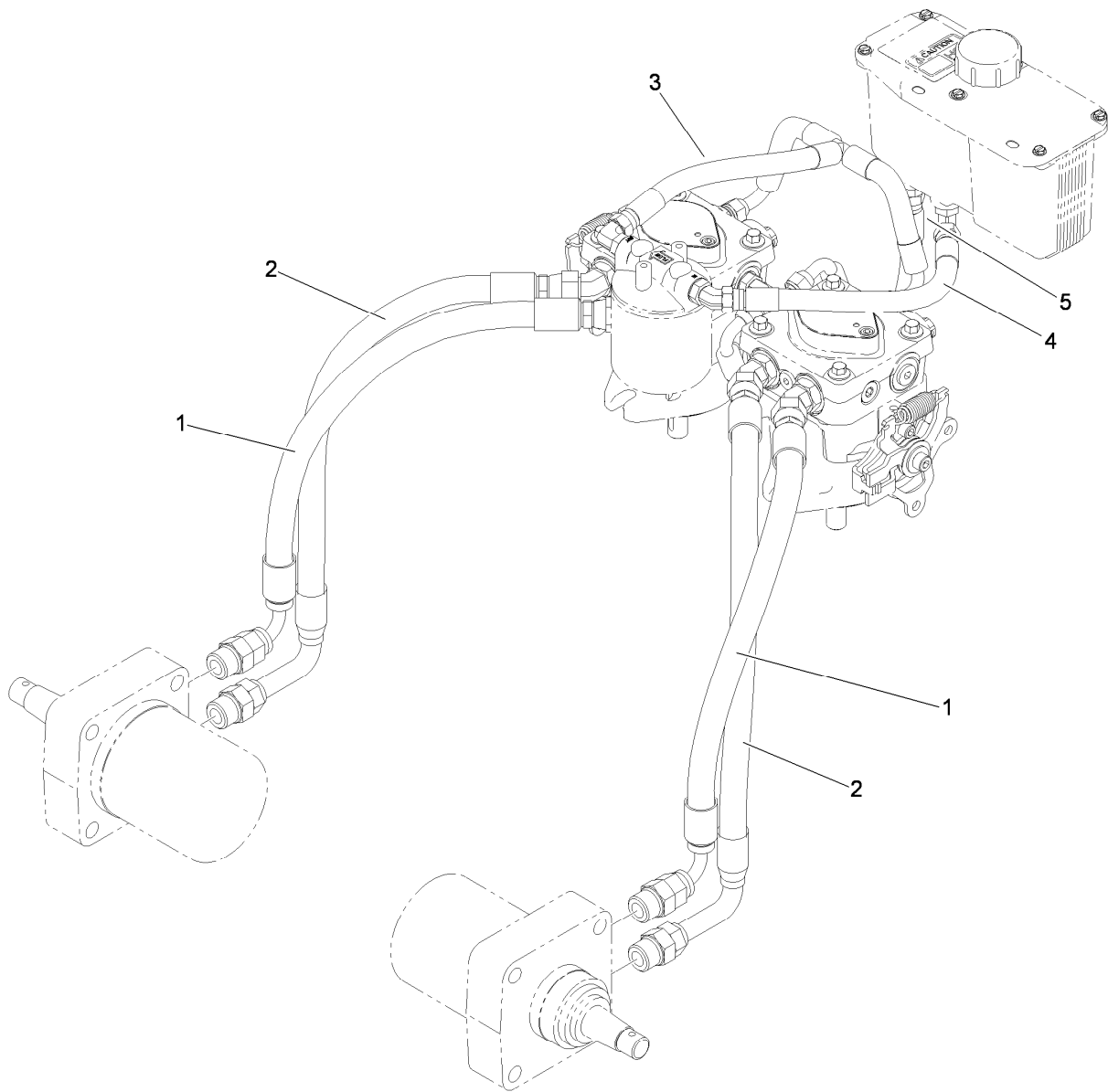
Ref.	Part Number	Qty.	Description	Ref.	Part Number	Qty.	Description
1	115-4464	1	Housing Kit	29	94-1936	1	Spring-Block
2	106-8752	1	End Cap Kit (W/Poppets)	30	94-1937	1	Washer-Thrust
3	106-8753	2	Pin-Headless, Straight	31	105-6185	1	Plate-Valve
4	106-8754	4	Bolt-HF	32	94-1907	1	Swashplate-Variable
5	106-8755	1	O-Ring	34	94-6922	1	Bearing-Thrust
6	106-8756	1	Charge Pump Kit	37	115-4458	1	Arm-Trunnion, Tapered Square
7	104-2122	1	Gerotor ASM	38	94-1910	1	Guide-Slot
8	106-8757	1	O-Ring	42	98-3252	2	Valve-Check (W/Poppet)
10	104-2111	2	Capscrew	44	106-8760	1	Charge Relief Valve Kit
15	106-8759	1	Bypass Valve Kit	49	114-8155	1	Trunnion Seal Kit
18	103-2664	1	Input Shaft Kit	56	106-8762	1	Plug-HSH
19	104-5311	1	Bearing-Ball	66	106-8763	1	Plug-HSH
20	104-5310	1	Seal-Lip	98	115-4459	1	Kit-Return
21	104-5308	1	Spacer	99	105-6184	1	Seal Overhaul Kit
22	104-5309	1	Ring-Retaining				
25	103-2666	1	Cylinder Block Kit				

99-Seal Overhaul Kit



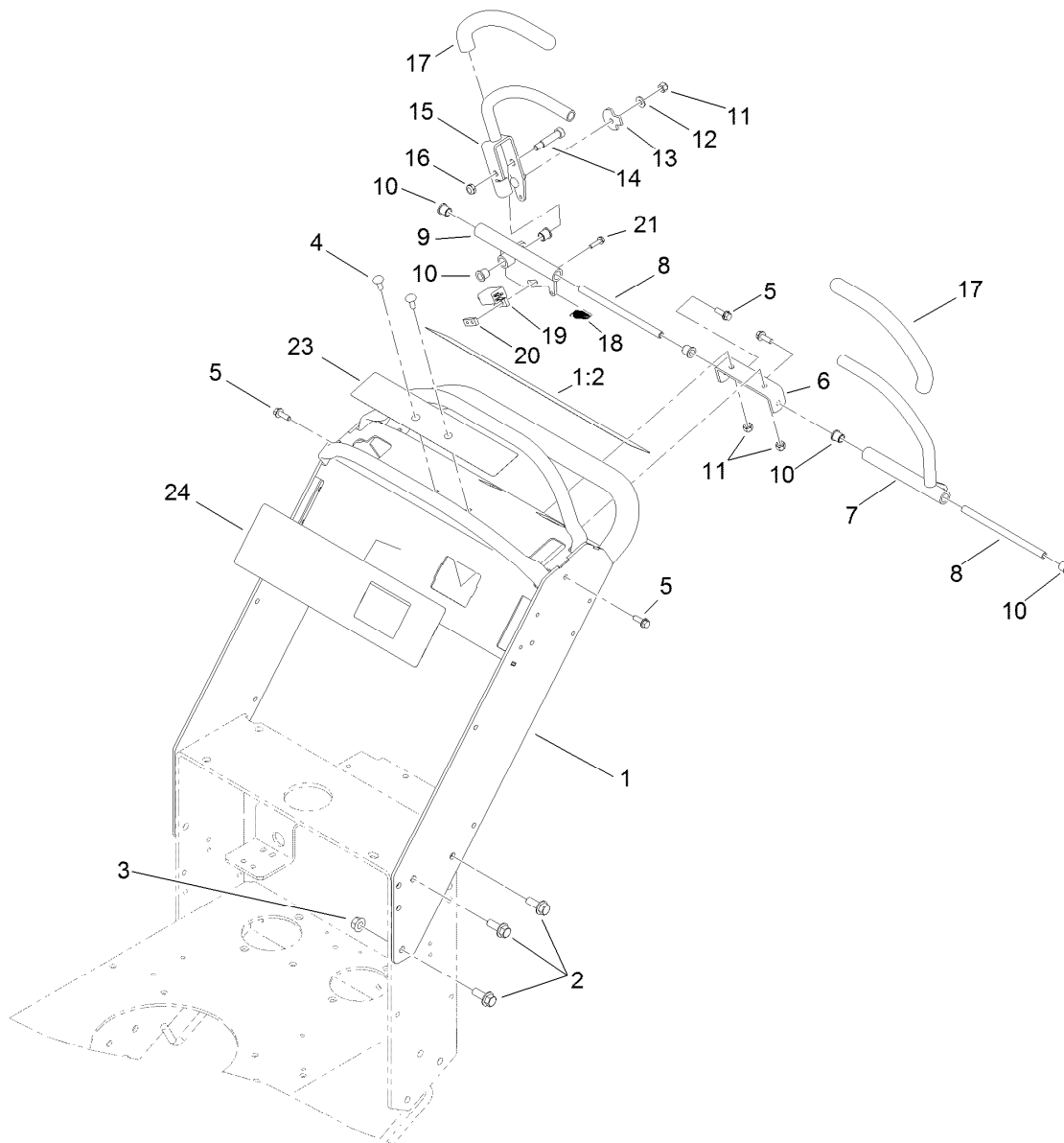
Hydraulic Pump Assembly No. 115-4481

Ref.	Part Number	Qty.	Description	Ref.	Part Number	Qty.	Description
1	115-4464	1	Housing Kit	29	94-1936	1	Spring-Block
2	106-8752	1	End Cap Kit (W/Poppets)	30	94-1937	1	Washer-Thrust
3	106-8753	2	Pin-Headless, Straight	31	105-6185	1	Plate-Valve
4	106-8754	4	Bolt-HF	32	94-1907	1	Swashplate-Variable
5	106-8755	1	O-Ring	34	94-6922	1	Bearing-Thrust
6	106-8756	1	Charge Pump Kit	37	115-4458	1	Arm-Trunnion, Tapered Square
7	104-2122	1	Gerotor ASM	38	94-1910	1	Guide-Slot
8	106-8757	1	O-Ring	42	98-3252	2	Valve-Check (W/Poppet)
10	104-2111	2	Capscrew	44	106-8760	1	Charge Relief Valve Kit
15	106-8759	1	Bypass Valve Kit	49	114-8155	1	Trunnion Seal Kit
18	103-2664	1	Input Shaft Kit	56	106-8762	1	Plug-HSH
19	104-5311	1	Bearing-Ball	66	106-8763	1	Plug-HSH
20	104-5310	1	Seal-Lip	98	115-4459	1	Kit-Return
21	104-5308	1	Spacer	99	105-6184	1	Seal Overhaul Kit
22	104-5309	1	Ring-Retaining				
25	103-2666	1	Cylinder Block Kit				



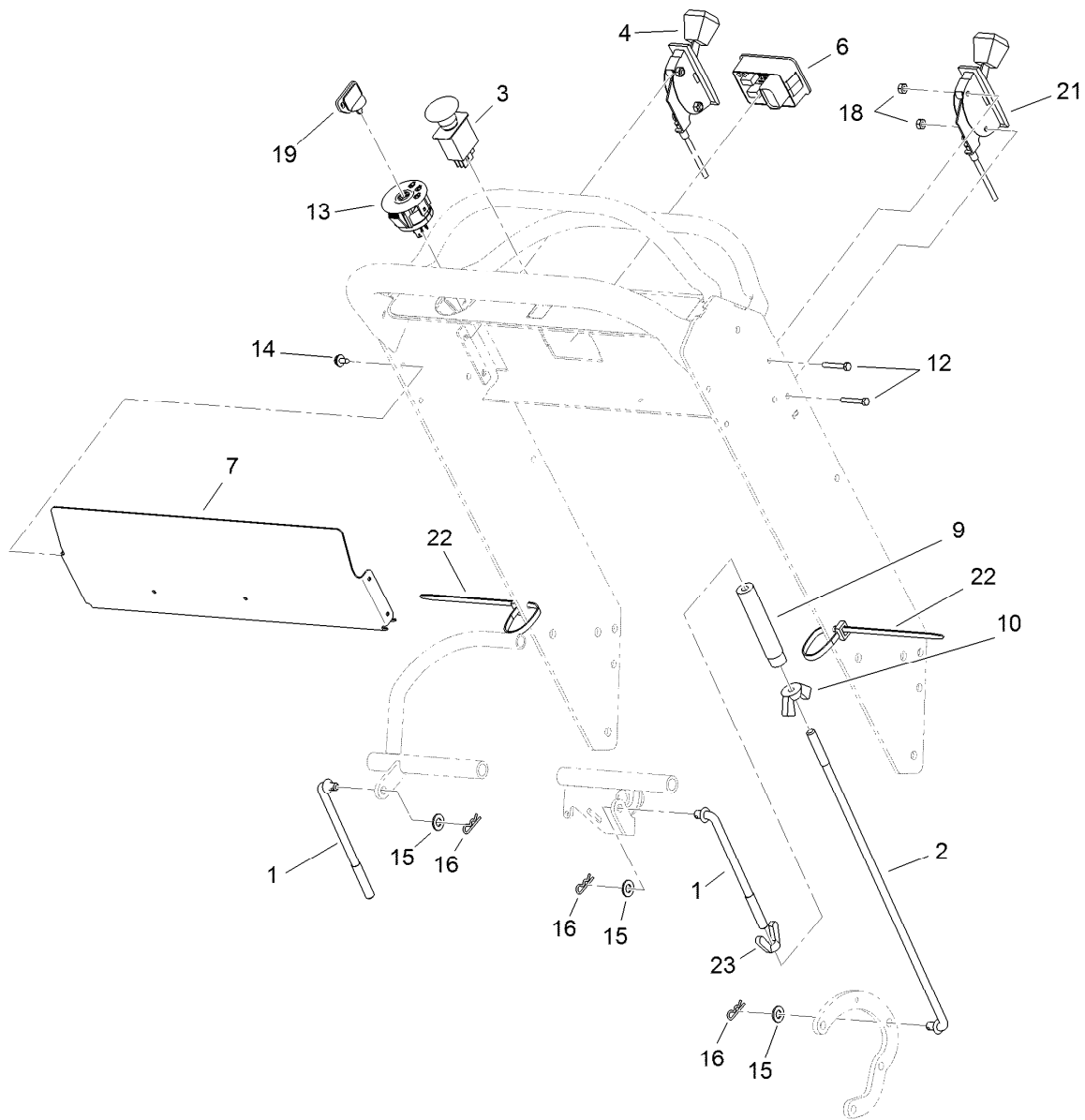
Hydraulic Hose Assembly

<i>Ref.</i>	<i>Part Number</i>	<i>Qty.</i>	<i>Description</i>
1	112-9704	2	HYD Hose ASM
2	114-3430	2	HYD Hose ASM
3	105-5697	1	HYD Hose ASM
4	105-5699	1	HYD Hose ASM
5	114-3434	1	HYD Hose ASM



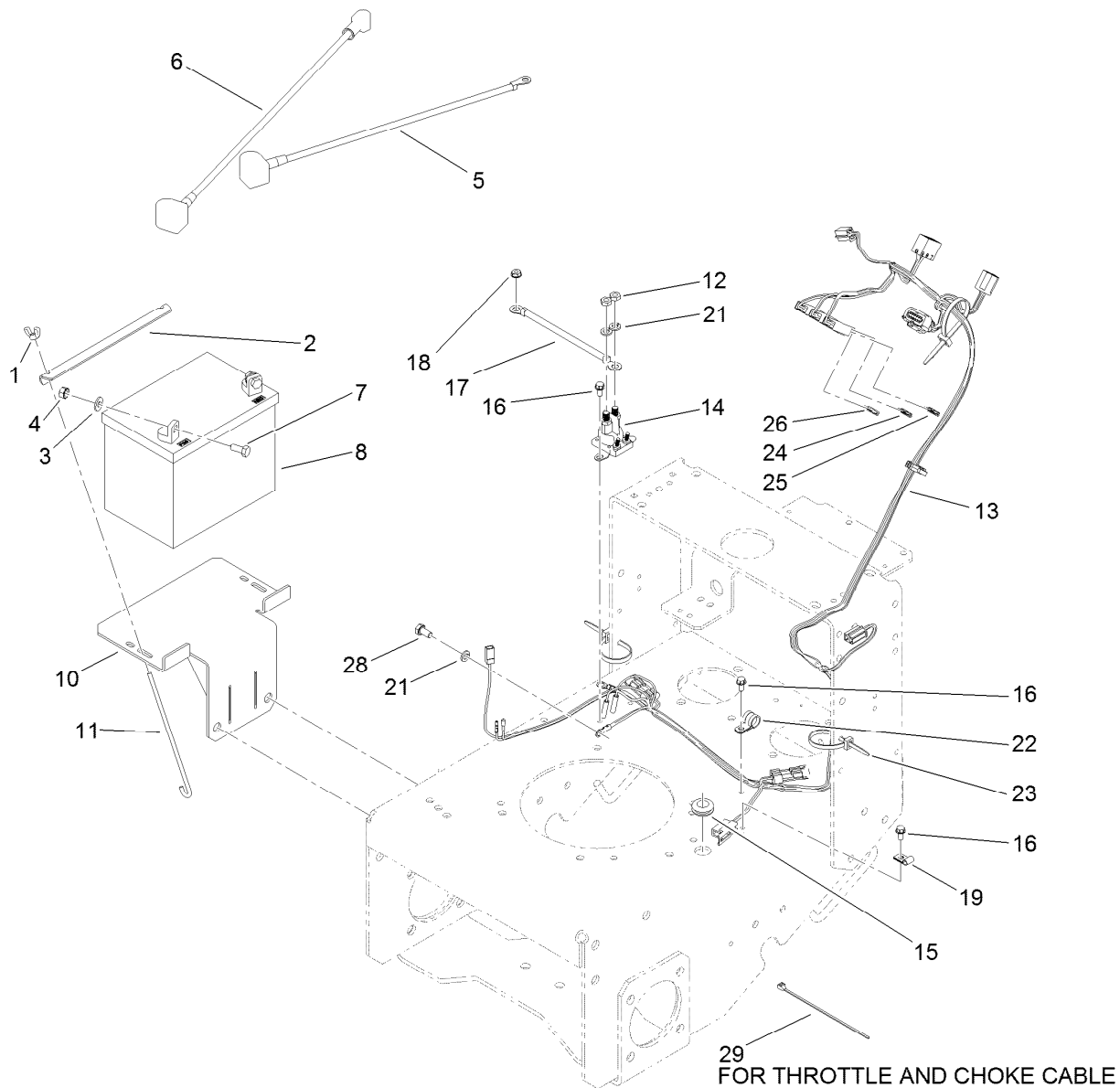
Upper Control Assembly

<i>Ref.</i>	<i>Part Number</i>	<i>Qty.</i>	<i>Description</i>	<i>Ref.</i>	<i>Part Number</i>	<i>Qty.</i>	<i>Description</i>
1	115-4200	1	T-Bar Handle ASM	12	3256-22	1	Washer-Flat
1:2	115-4179	1	Decal-Warning, Control	13	114-0268	1	Cam-Lever
2	3234-11	6	Screw-HHF	14	114-0239	1	Screw-HSH
3	32128-21	6	Nut-HF	15	114-0238-03	1	Lever
4	3229-1	2	Bolt-CARR	16	3296-47	1	Nut-Lock, NI
5	3234-4	4	Screw-HHF	17	119-0222	2	Grip
6	114-0235	1	Bracket-Support	18	114-0249	1	Spring-Extension
7	114-0272-03	1	Lever-Control	19	1-513152	1	Switch-Closed, Normally
8	119-1885	2	Shaft-Pivot, Motion Control	20	1-633181	1	Plate-Tapped
9	114-0234	1	Motion Control ASM	21	32105-13	2	Screw-HWH
10	103-9928	6	Bearing	23	114-3424	1	Decal-Control
11	3296-42	3	Nut-Lock, NI	24	115-4189	1	Decal-Panel, Control



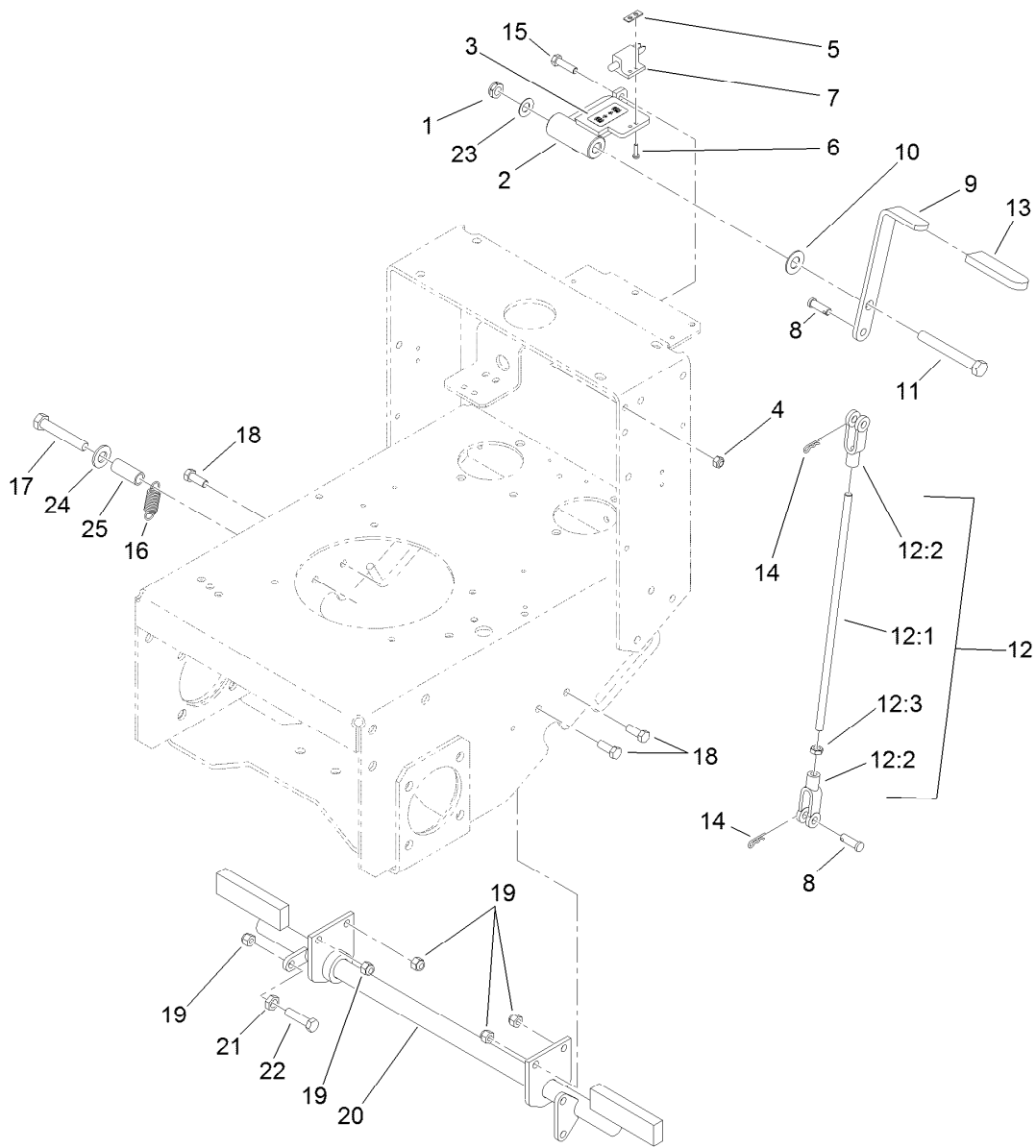
Control Panel Assembly

<i>Ref.</i>	<i>Part Number</i>	<i>Qty.</i>	<i>Description</i>	<i>Ref.</i>	<i>Part Number</i>	<i>Qty.</i>	<i>Description</i>
1	114-0275	2	Rod-Control, Upper	13	116-0050	1	Switch-Ignition
2	114-0276	2	Rod-Control, Lower	14	32104-76	4	Screw-HWHTF
3	114-0279	1	Switch-PTO	15	3256-23	4	Washer-Flat
4	119-6539	1	Cable-Throttle	16	3290-307	4	Pin-Hair
6	117-3886	1	Module-Hour Meter	18	3296-2	4	Nut-Lock, NI
7	114-0270-03	1	Cover-Panel, Control	19	63-8360	1	Key-Ignition
9	95-1504	2	Turnbuckle	21	110-4995	1	Cable-Choke
10	32103-3	2	Nut-Wing	22	3290-378	2	Tie-Cable
12	3290-360	4	Screw-HH	23	114-0281	2	Nut-Wing, LH



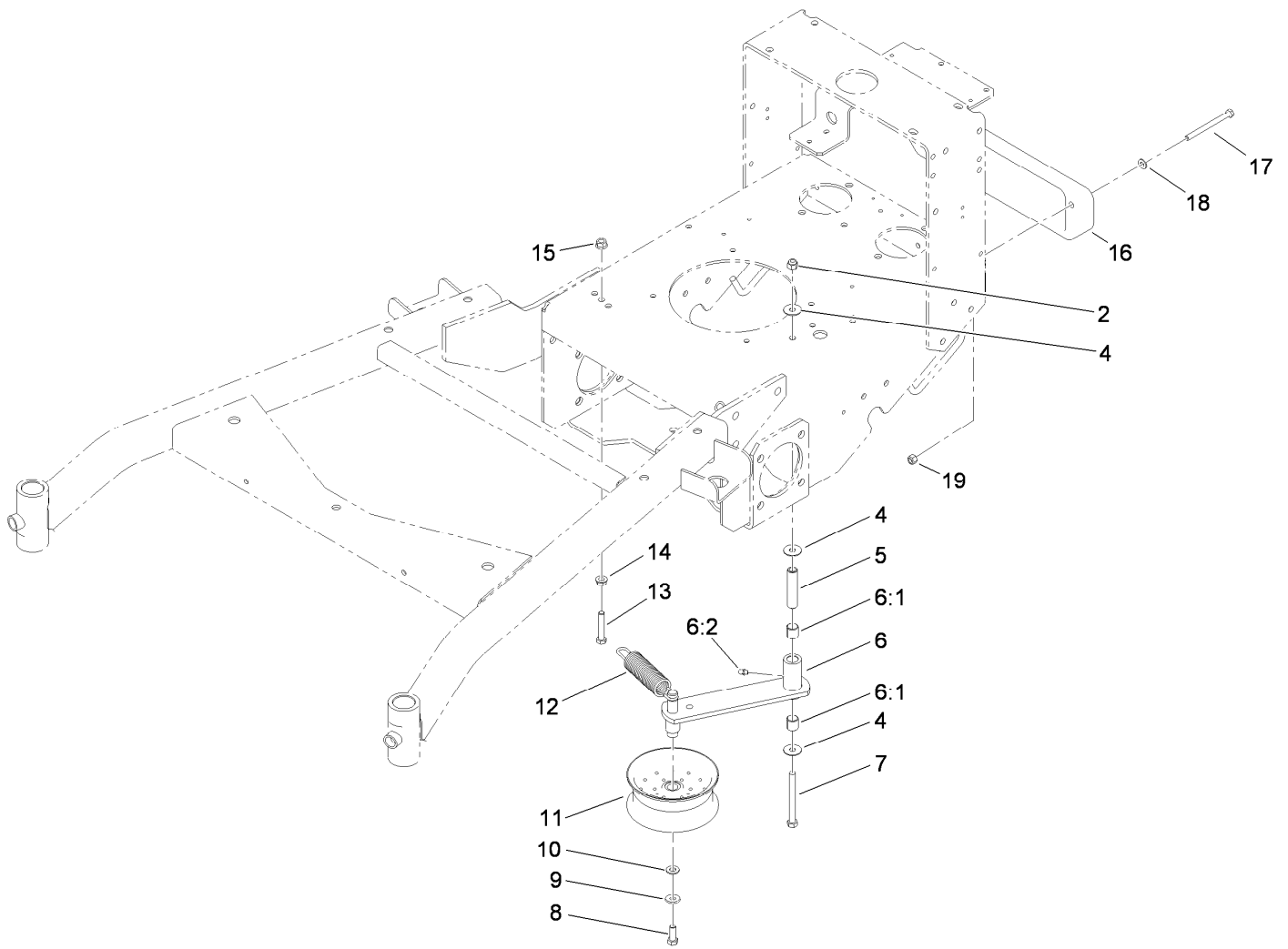
Electrical System Assembly

<i>Ref.</i>	<i>Part Number</i>	<i>Qty.</i>	<i>Description</i>	<i>Ref.</i>	<i>Part Number</i>	<i>Qty.</i>	<i>Description</i>
1	1-543792	2	Wingnut	15	112-7069	1	Grommet
2	103-9944-03	1	Angle-Battery	16	32144-4	4	Screw-HWH
3	3256-2	2	Washer-Flat	17	112-9707	1	Cable-Battery, Pos
4	32149-1	2	Nut-Keps	18	32149-2	1	Nut-Keps
5	112-9709	1	Cable-Battery, Black	19	2412-72	1	Clip-Closed, Insulated
6	112-9708	1	Cable-Battery, Red	21	3253-4	3	Washer-Lock
7	322-3	2	Screw-HH	22	2412-134	1	Clamp-R
8	104-8162	1	Battery-Dry	23	3290-378	2	Tie-Cable
10	117-5216-01	1	Tray-Battery	24	109102	1	Fuse-Blade, 25 Amp
11	1-633651	2	Bolt-Holddown	25	109103	1	Fuse-Blade, 30 Amp
12	3220-2	2	Nut-Jam	26	218-578	1	Fuse-Blade, 10 Amp
13	115-4191	1	Harness-Wire, Es Twin Lever	28	33114-016	1	Screw-HH
14	117-1197	1	Solenoid	29	1-303287	1	Tie-Cable



Parking Brake Assembly

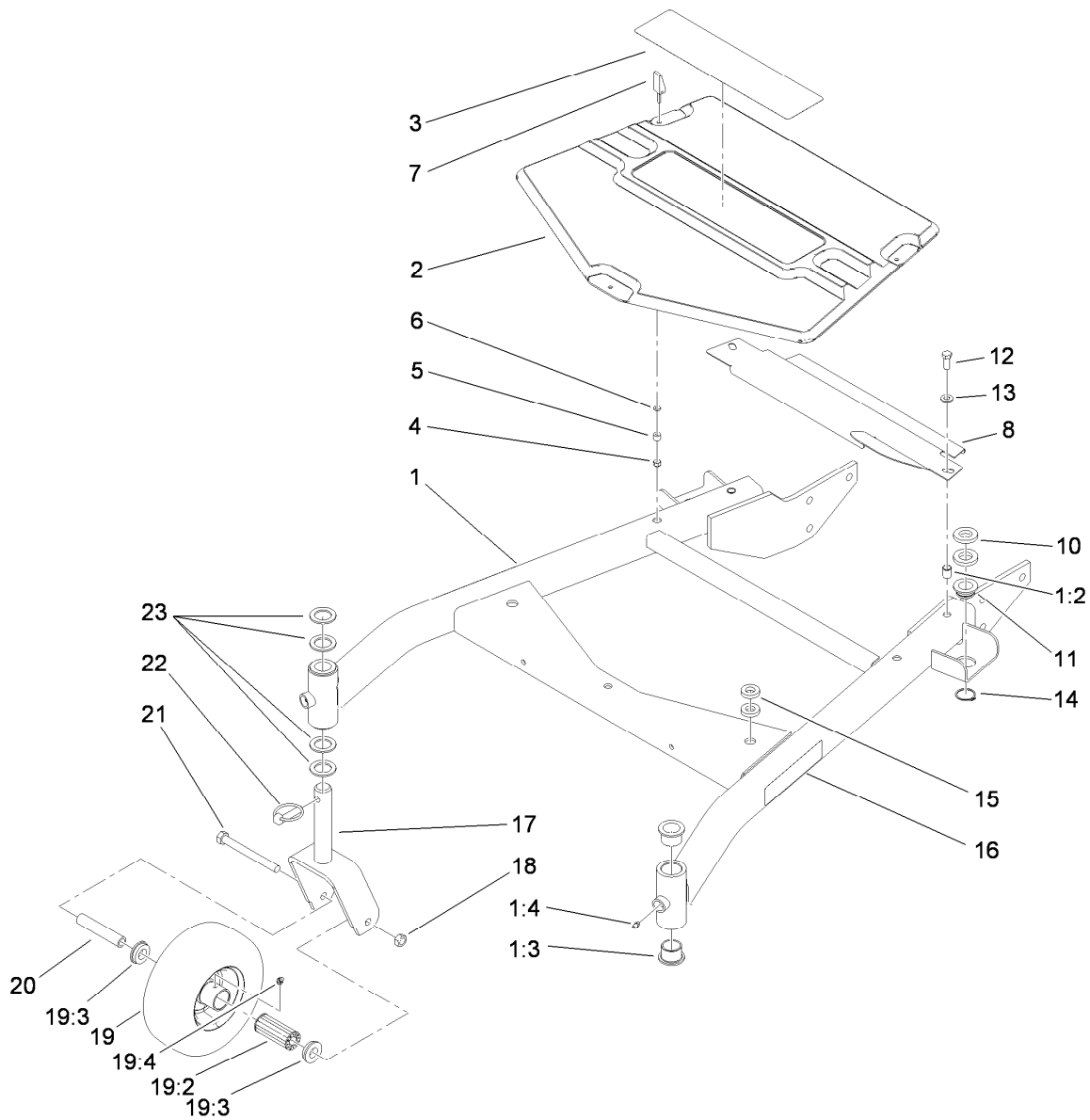
<i>Ref.</i>	<i>Part Number</i>	<i>Qty.</i>	<i>Description</i>	<i>Ref.</i>	<i>Part Number</i>	<i>Qty.</i>	<i>Description</i>
1	3296-45	1	Nut-Lock, NI	12:3	3219-3	1	Nut-Hex
2	112-8716-01	1	Support-Handle	13	1-303020	1	Grip-Lever
3	112-8721	1	Decal-Brake	14	3290-307	2	Pin-Hair
4	3296-29	2	Nut-Lock, NI	15	322-6	2	Screw-HH
5	1-633181	1	Plate-Tapped	16	613386	1	Spring-Brake
6	32105-13	2	Screw-HWH	17	323-11	1	Screw-HH
7	1-513152	1	Switch-Closed, Normally	18	323-6	3	Screw-HH
8	1-808285	2	Pin-Clevis	19	3296-39	5	Nut-Lock, NI
9	106-0671-01	1	Handle-Brake	20	110-4976-01	1	Shaft-Brake, Parking
10	257-7	1	Bearing-Thrust	21	3218-3	1	Nut-Jam
11	325-17	1	Screw-HH	22	323-8	1	Screw-HH
12	115-1465	1	Brake Rod ASM	23	112-9972	1	Washer-Conical, Spring
12:1	108-2747	1	Rod-Brake	24	3256-24	1	Washer-Flat
12:2	1-633131	2	Yoke-Linkage, Brake	25	114-1337	1	Spacer-Spring



Power-Take-Off Idler and Weight Assembly

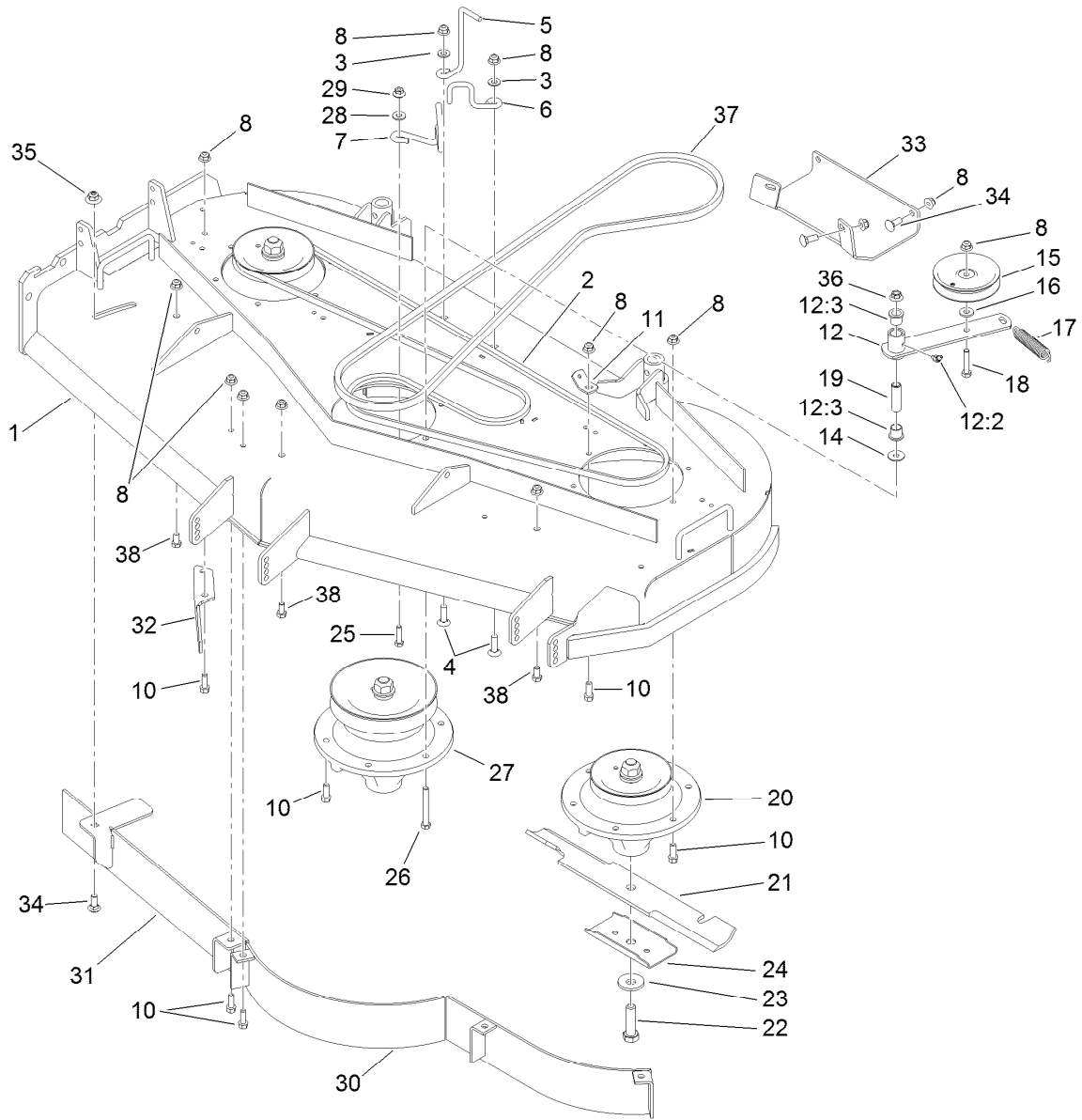
Ref.	Part Number	Qty.	Description
2	3296-39	1	Nut-Lock, NI
4	52-2860	3	Washer
5	104-6377	1	Tube-Idler
6	108-2734	1	Idler Arm ASM
6:1	1-513034	2	Sleeve-Bearing
6:2	302-5	1	Fitting-Grease
7	323-42	1	Screw-HH
8	323-6	1	Screw-HH
9	98-5975	1	Washer-Belleville
10	3256-24	1	Washer-Flat

Ref.	Part Number	Qty.	Description
11	116-4666	1	Idler-Pulley, Flat
12	105-8443	1	Spring-Extension
13	323-10	1	Screw-HH
14	3290-357	1	Nut-HHF, Whiz
15	32128-21	1	Nut-HF
16	112-7059-01	1	Weight-Cast
17	322-9	2	Screw-HH
18	3256-23	2	Washer-Flat
19	3296-29	2	Nut-Lock, NI



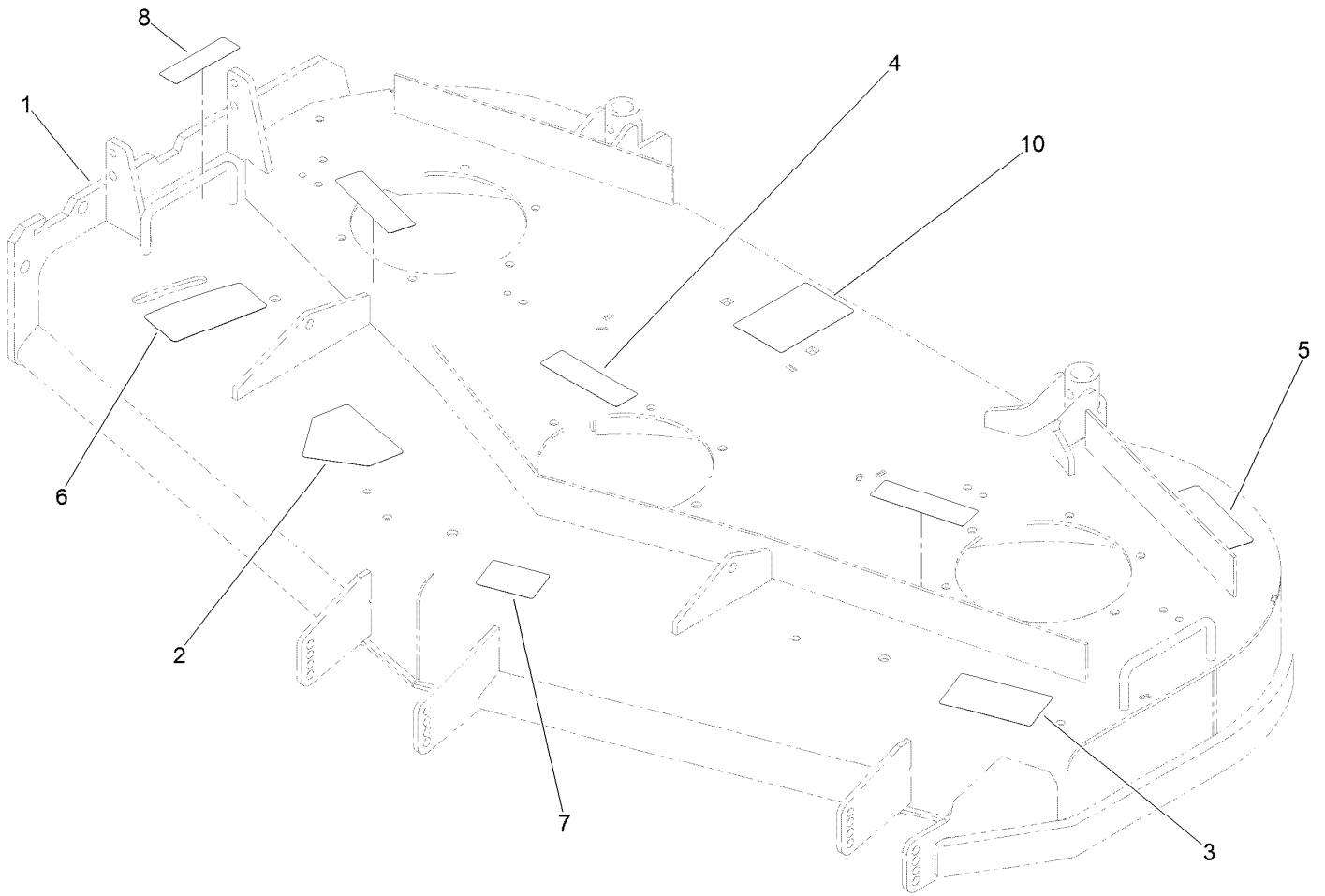
Carrier Frame Assembly

<i>Ref.</i>	<i>Part Number</i>	<i>Qty.</i>	<i>Description</i>	<i>Ref.</i>	<i>Part Number</i>	<i>Qty.</i>	<i>Description</i>
1	108-2665	1	Carrier Frame ASM	13	3256-24	2	Washer-Flat
1:2	32148-9	2	Insert-Nut	14	32120-33	2	Ring-Retaining
1:3	94-1291	4	Bushing	15	1-323539	4	Spacer
1:4	302-5	2	Fitting-Grease	16	130-8372	2	Decal-HOC
2	108-6625	1	Cover-Frame, Carrier	17	105-3159-01	2	Fork-Caster
3	112-9713	1	Decal	18	32153-5	2	Nut-Hex
4	1-804254	3	Nut-Lock, HH	19	130-4556	2	Wheel And Tire ASM
5	106-6778	3	Bushing-Latch, Swell	19:2	112-7066	1	Bearing-Roller
6	99-3058	3	Washer	19:3	1-513810	2	Bushing
7	106-6777	3	Handle-Latch, Swell	19:4	302-61	1	Fitting-Grease
8	119-6534-01	1	Shield-Belt	20	100-6453	2	Bushing-Spanner
10	104-1105	4	Spacer-Support, Deck	21	325-19	2	Screw-HH
11	1-513336	2	Bushing-Deck	22	283-71	2	Pin-Lynch
12	323-6	2	Screw-HH	23	3-6781	8	Washer-Thrust



Deck Drive and Baffle Assembly

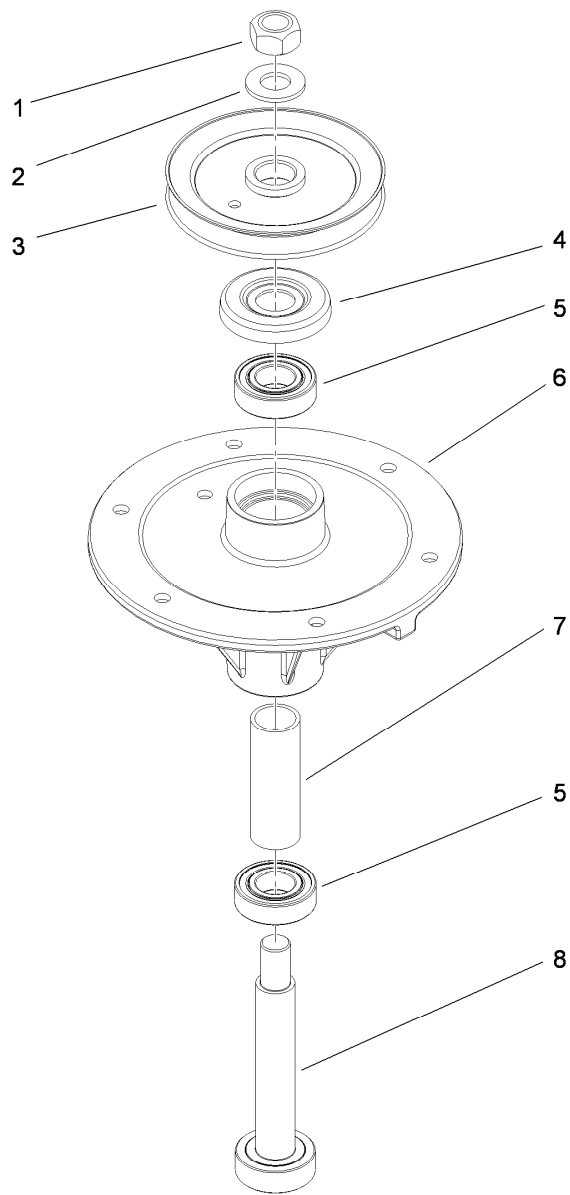
Ref.	Part Number	Qty.	Description	Ref.	Part Number	Qty.	Description
1	112-7083	1	Deck ASM	20	110-0728	2	Spindle ASM
2	108-2694	1	Belt-V	21	105-7781-03	3	Blade-18In, Hi Flow
3	3256-24	2	Washer-Flat	22	51-4060	3	Screw-Blade
4	3231-28	2	Screw-CARR	23	103-0865	3	Washer-Blade Bolt, Heavy
5	98-5980	1	Guide-Belt	24	108-2727	3	Stiffener-Blade
6	110-6975	1	Guide-Belt	25	322-6	1	Screw-HH
7	105-0850	1	Guide-Belt	26	323-14	1	Screw-HH
8	104-8301	32	Nut-Flange, NI	27	110-0730	1	Spindle ASM
10	92-1624	22	Screw-HWH	28	3256-3	1	Washer-Flat
11	104-6374	1	Plate-Spring	29	32128-13	1	Nut-HHF
12	108-2728	1	Idler Arm ASM	30	110-0740-03	1	Baffle
12:2	302-11	1	Fitting-Lube, 45 DEG	31	121-1784-03	1	Baffle
12:3	256-90	2	Bushing-Flange	32	110-0754-01	1	Baffle-Discharge
14	52-2860	1	Washer	33	106-7358-01	1	Plate-Skid
15	93-1622	1	Pulley-Idler	34	3231-2	5	Bolt-CARR
16	9202414	1	Washer-Spacer	35	109-6658	1	Nut-Flange, NI
17	51-3650	1	Spring-Extension	36	32128-19	1	Nut-HF
18	323-9	1	Screw-HH	37	108-2693	1	Belt-V
19	112-7091	1	Spacer	38	323-4	3	Screw-HH



Deck Decal Assembly No. 112-7083

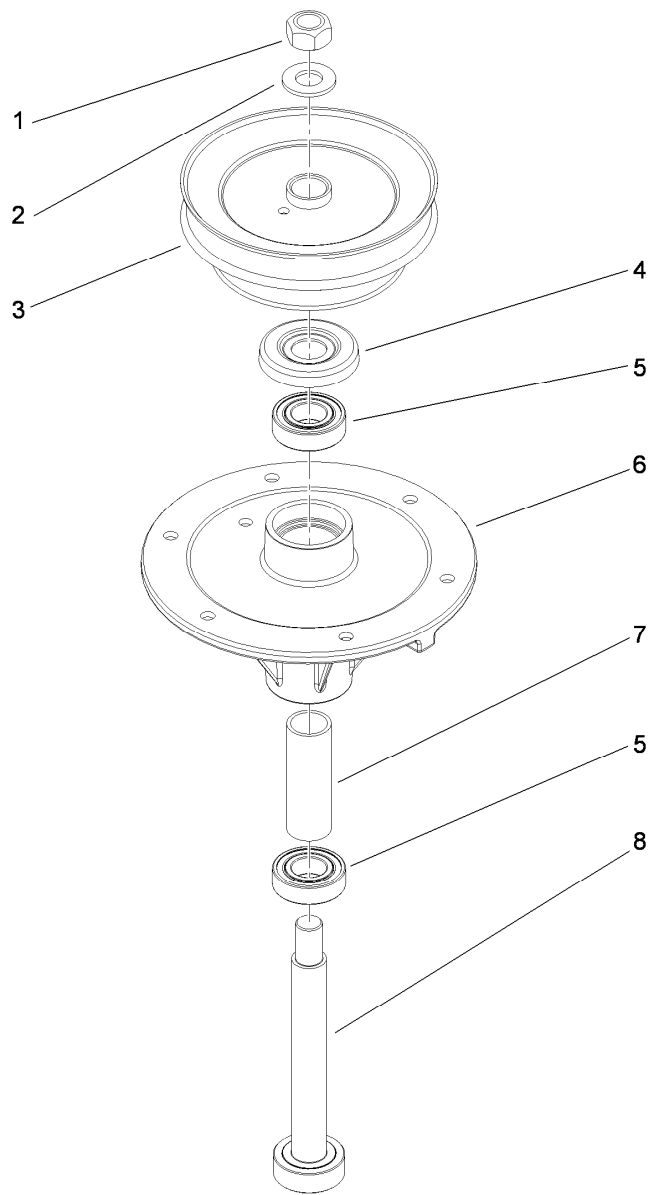
Ref.	Part Number	Qty.	Description
1		1	52 Inch Deck ASM ●
2	112-8760	1	Decal-Danger
3	93-7010	1	Decal-Danger
4	112-9028	3	Decal-Cover Missing
5	93-7818	1	Decal-Torque, Blade Bolt
6	131-1180	1	Decal-Adjustment, Baffle
7	130-0765	1	Decal-Scalp, Anti
8	93-7828	1	Decal-Warning, Deflector
10	104-8186	1	Decal-Routing, Belt

● Not serviced separately



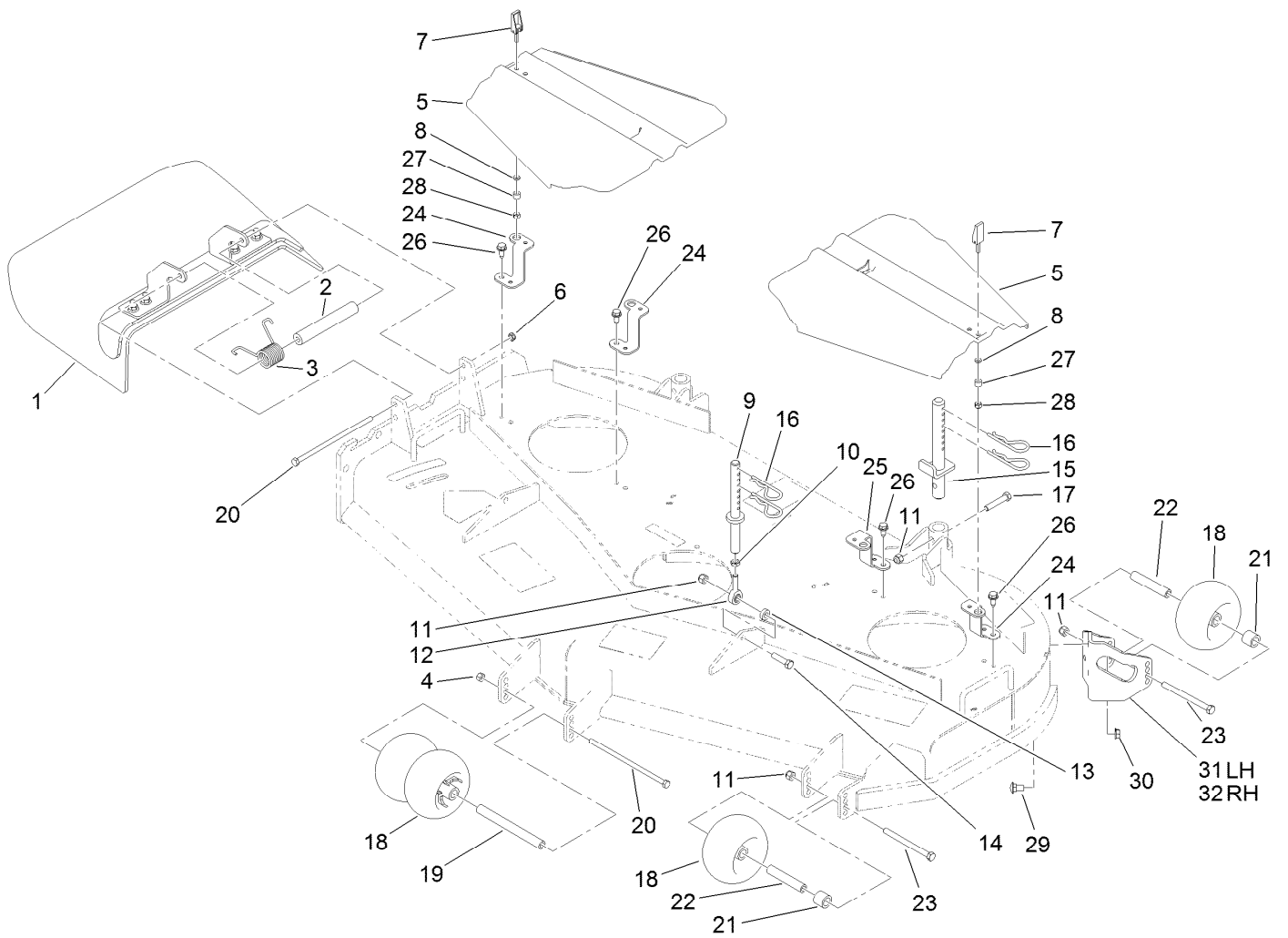
Spindle Assembly No. 110-0728

<i>Ref.</i>	<i>Part Number</i>	<i>Qty.</i>	<i>Description</i>
1	3219-7	1	Nut-Hex
2	7-4150	1	Washer
3	104-1181	1	Pulley ASM
4	106-0873	1	Shield-Bearing
5	116-0720	2	Bearing-Ball
6	108-6696	1	Housing-Spindle
7	110-0727	1	Spacer-Bearing
8	110-0726	1	Shaft-Spindle



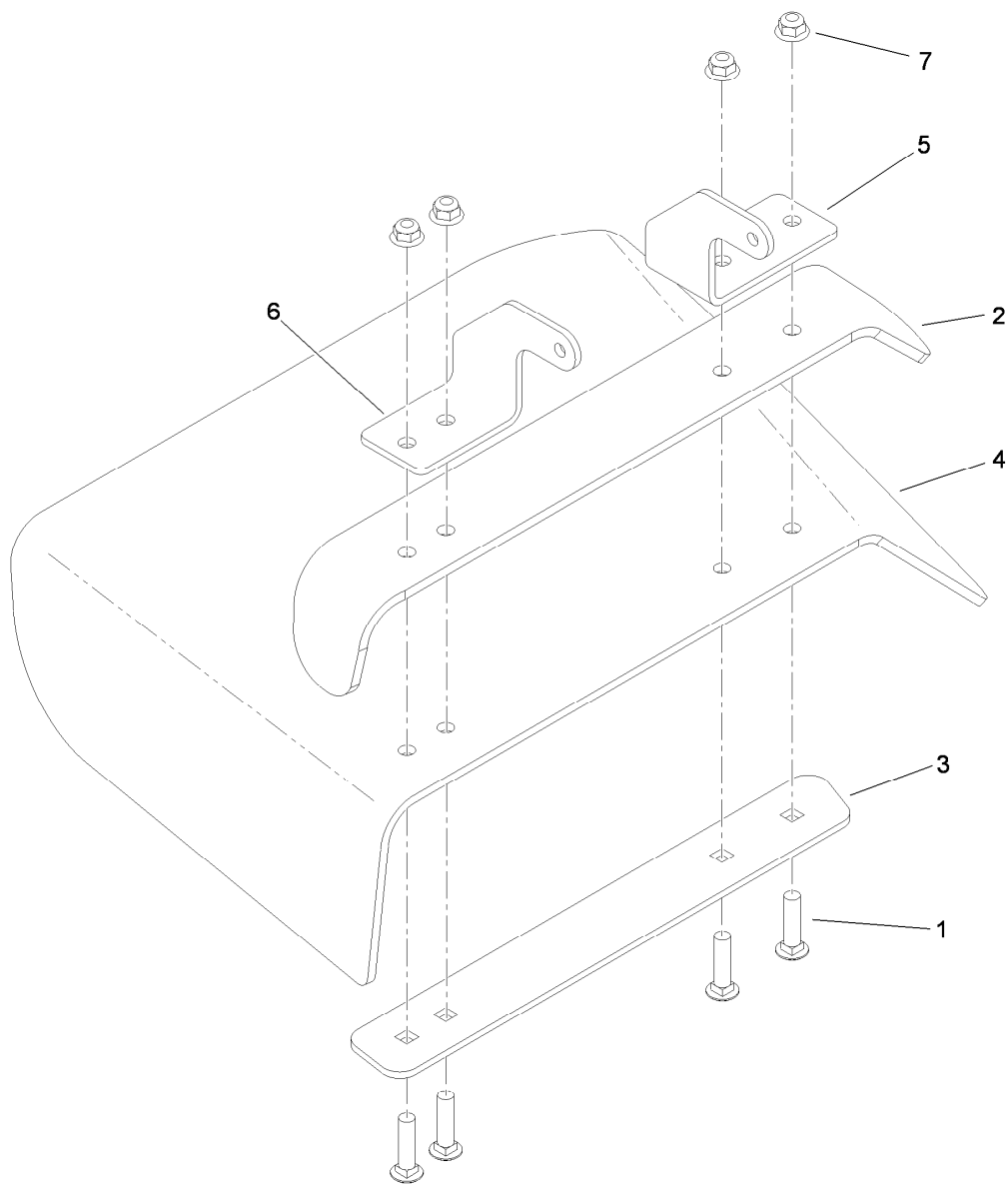
Spindle Assembly No. 110-0730

<i>Ref.</i>	<i>Part Number</i>	<i>Qty.</i>	<i>Description</i>
1	3219-7	1	Nut-Hex
2	7-4150	1	Washer
3	108-6627	1	Pulley And Hub ASM
4	106-0873	1	Shield-Bearing
5	116-0720	2	Bearing-Ball
6	108-6696	1	Housing-Spindle
7	110-0727	1	Spacer-Bearing
8	110-0725	1	Shaft-Spindle



Deck Assembly

Ref.	Part Number	Qty.	Description	Ref.	Part Number	Qty.	Description
1	110-0758	1	Deflector ASM	17	323-10	2	Screw-HH
2	105-4622	1	Spacer	18	1-603299	5	Roller-Scalp, Anti
3	108-4052	1	Spring-Torsion	19	98-5967	1	Spacer-Wheel
4	3296-29	1	Nut-Lock, NI	20	322-50	2	Screw-HH
5	107-8536	2	Cover-Belt	21	98-7913	3	Tube-Spacer
6	3296-47	1	Nut-Lock, NI	22	98-7912	3	Tube-Spanner
7	106-6777	2	Handle-Latch, Swell	23	323-23	3	Screw-HH
8	99-3058	2	Washer	24	108-2698-01	3	Bracket-Cover
9	108-2674	2	Front Pin ASM	25	108-2699-01	1	Bracket-Cover
10	3220-3	2	Nut-HJ	26	32144-70	4	Screw-HWHTF
11	3296-39	7	Nut-Lock, NI	27	106-6778	2	Bushing-Latch, Swell
12	1-613204	2	Balljoint	28	1-804254	2	Nut-Lock, HH
13	104-1156	2	Spacer	29	3231-1	6	Screw-CARR
14	323-8	2	Screw-HH	30	32128-21	6	Nut-HF
15	110-2086	2	Rear Pin ASM	31	110-0736-01	1	Bracket-Roller, LH
16	3290-256	6	Pin-Hair	32	110-0737-01	1	Bracket-Roller, RH



Deflector Assembly No. 110-0758

<i>Ref.</i>	<i>Part Number</i>	<i>Qty.</i>	<i>Description</i>
1	3231-4	4	Screw-CARR
2	106-3246-01	1	Deflector
3	106-3248-03	1	Strap-Discharge
4	110-0759	1	Deflector-Rubber
5	107-4197-01	1	Bracket-Hinge, Rear
6	107-4196-01	1	Bracket-Hinge, Front
7	104-8301	4	Nut-Flange, NI

Attachments and Accessories

For 30489 Commercial Walk-Behind Mower Floating Deck, Split Lever, Hydro Drive with 52in TURBO FORCE Cutting Unit

Product Name	Model/Part
Blade-Recycler, 18in.....	105-7779-03
Blade-Med Flow, 18in.....	105-7794-03
Blade-Low Flow, 18in.....	105-7795-03
Blade-Atomic, 18in.....	105-7796-03
Turbo Baffle Kit.....	107-1634
Blade-Hi Flow, 18in (6 Pack).....	108-1117
Blade-Atomic, 18in (6 Pack).....	108-1118
Blade-Lo Flow, 18in (6 Pack).....	110-0406
Blade-Recycler, 18in (6 Pack).....	110-0408
Blade-Med Flow, 18in (6 Pack).....	110-0409
52in Recycler Kit.....	110-2040
Weight-Cast.....	112-7059-01
Weight Kit.....	112-9971
Oil-Synthetic, All Season.....	117-0066
Oil Filter.....	119-5852
Filter-fuel.....	120-2235
Element-Filter, Air.....	120-7447
Soft Bag (3 Bushel).....	30104
Tru Trak Sulky.....	30110
Toro 4-cycle Sae 30 Oil (32oz Bottle).....	38903
Spark Plug.....	92-2153

Notes:

Notes:

Notes:



Count on it.