



**CCR POWERLITE®**

**Snowthrower**

Model No. 38171 – 6900001 & Up

Model No. 38176 – 6900001 & Up

**CCR POWERLITE®**

**Déneigeuse**

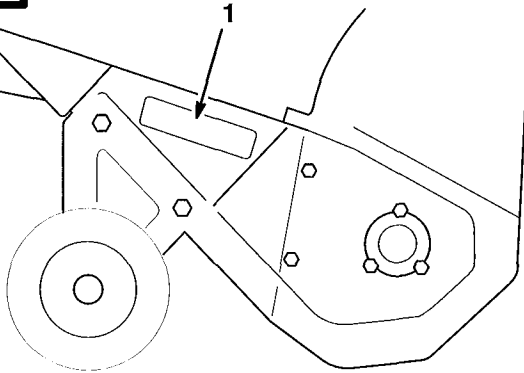
Modèle No. 38171 – 6900001 et suivants

Modèle No. 38176 – 6900001 et suivants

**Operator's Manual**  
**Manuel de l'Utilisateur**

# Figures

**1**



2121

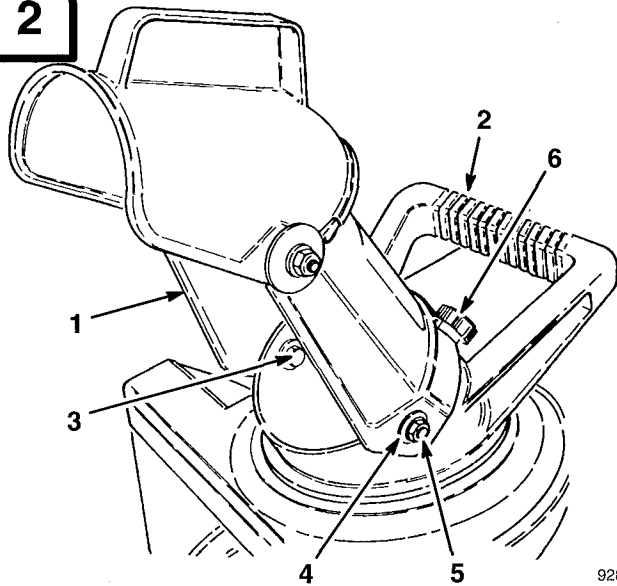
**English**

1. Model and serial number decal

**Français**

1. Décalcomanie de numéros de modèle et de série

**2**



928

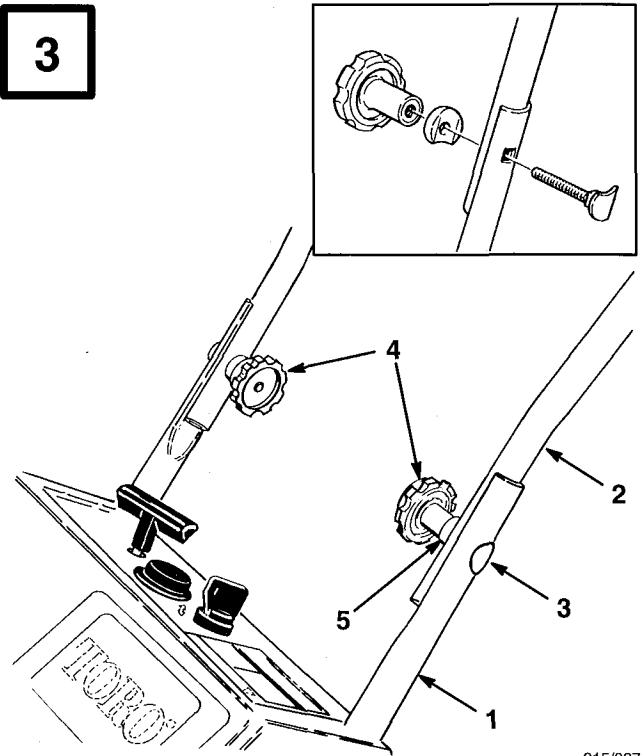
**English**

- |                    |            |
|--------------------|------------|
| 1. Discharge chute | 4. Washer  |
| 2. Chute handle    | 5. Locknut |
| 3. Hex bolt        | 6. Knob    |

**Français**

- |                             |                     |
|-----------------------------|---------------------|
| 1. Ejecteur                 | 4. Rondelle         |
| 2. Poignée de l'éjecteur    | 5. Ecrou de blocage |
| 3. Boulon à tête hexagonale | 6. Bouton           |

**3**



915/927

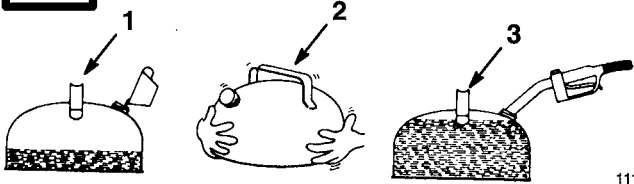
**English**

- |                   |                   |
|-------------------|-------------------|
| 1. Lower handle   | 4. Knob           |
| 2. Upper handle   | 5. Curved washers |
| 3. Oval head bolt |                   |

**Français**

- |                                   |                                 |
|-----------------------------------|---------------------------------|
| 1. Élément inférieur du mancheron | 3. Boulon à tête ovale          |
| 2. Élément supérieur du mancheron | 4. Bouton                       |
|                                   | 5. Rondelles élastiques bombées |

**4**



111

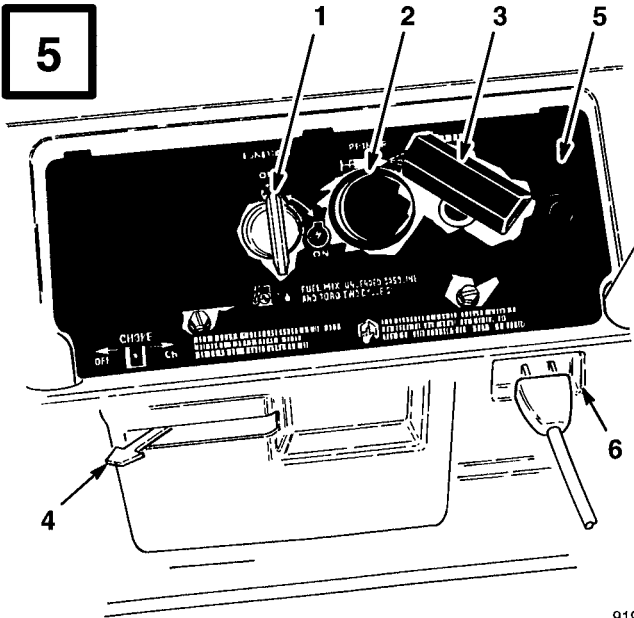
**English**

1. Add oil to small amount of gasoline
2. Install cap and shake can to mix
3. Add remaining amount of gasoline

**Français**

1. Versez l'huile dans une petite quantité d'essence
2. Mettez le bouchon et secouez bien pour mélanger
3. Ajoutez le reste de l'essence

**5**



919

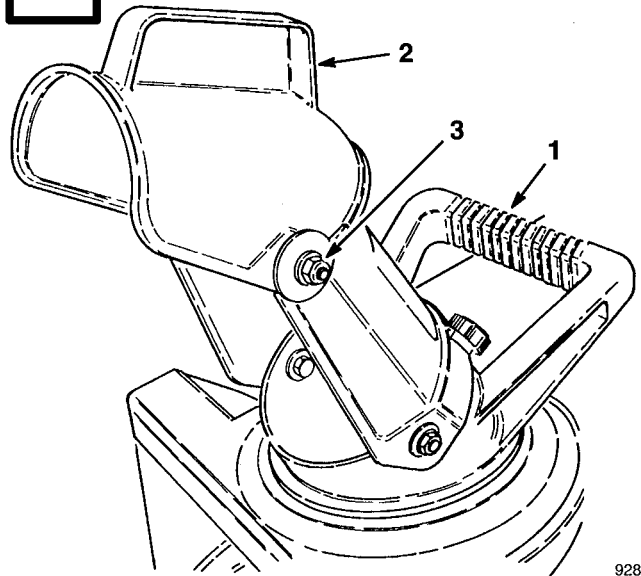
**English**

1. Key switch
  2. Primer
  3. Recoil start
  4. Choke lever
  5. Elec. start button\*
  6. Cord connection\*
- \* ELEC. START MODEL

**Français**

1. Serrure de contact
  2. Amorceur
  3. Dérrueur-lanceur
  4. Manette de starter
  5. Bouton de démarreur électrique\*
  6. Branchement du cordon\*
- \* MODELE A DEMARRAGE ELECTRIQUE

**6**



928

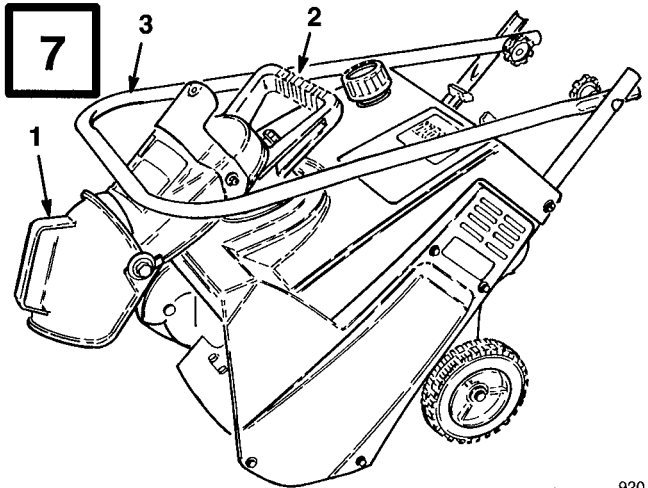
**English**

1. Chute handle
2. Chute deflector handle
3. Deflector mounting nuts

**Français**

1. Poignée de l'éjecteur
2. Poignée du déflecteur de l'éjecteur
3. Ecrus de fixation du déflecteur

**7**



920

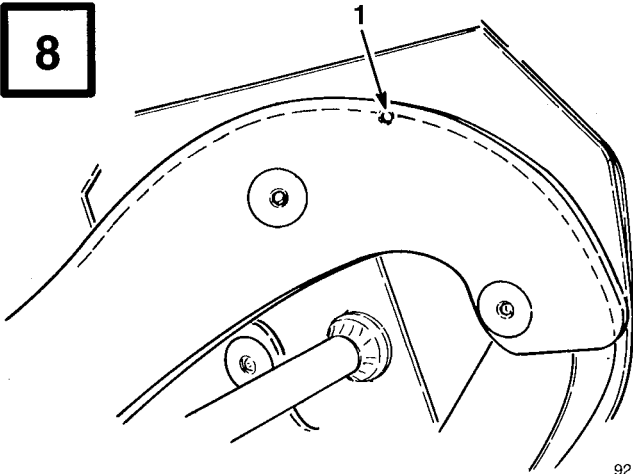
**English**

1. Discharge chute
2. Discharge chute handle
3. Handle

**Français**

1. Ejecteur
2. Poignée de l'éjecteur
3. Mancheron

**8**



921

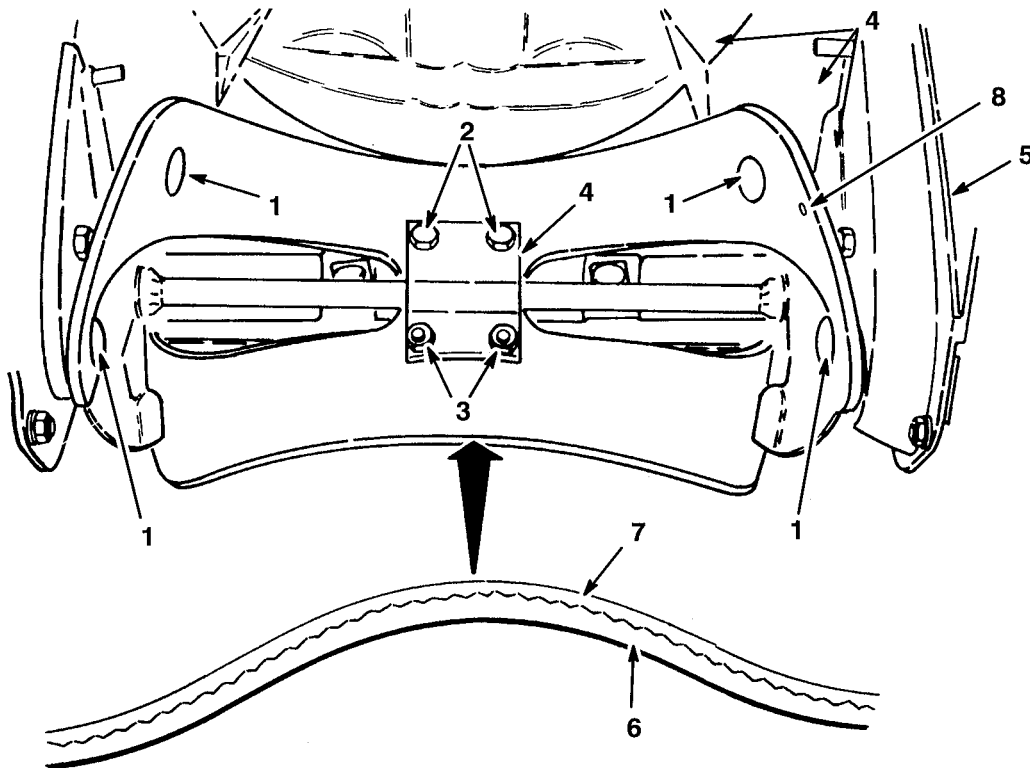
**English**

- 1. Wear indicator hole

**Français**

- 1. Trou indicateur d'usure

**9**



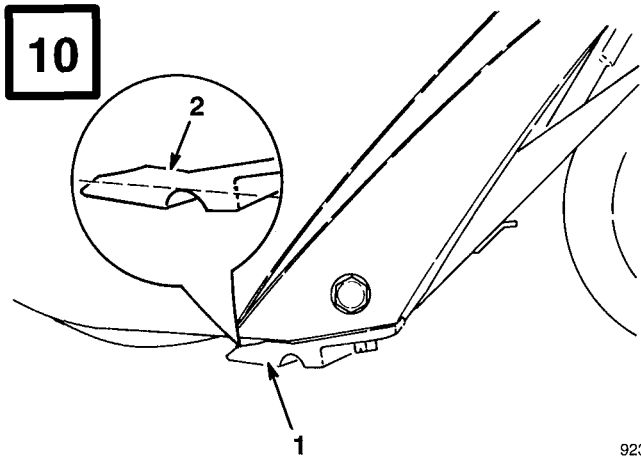
929

**English**

- 1. Torx screw
- 2. Capscrew
- 3. Locknut
- 4. Blade support
- 5. Drive belt cover
- 6. Thick layer
- 7. Thin layer
- 8. Wear indicator hole

**Français**

- 1. Vis torx
- 2. Vis borgne
- 3. Ecrou de blocage
- 4. Support de lame
- 5. Garde de la courroie
- 6. Couche épaisse
- 7. Couche mince
- 8. Trou indicateur d'usure



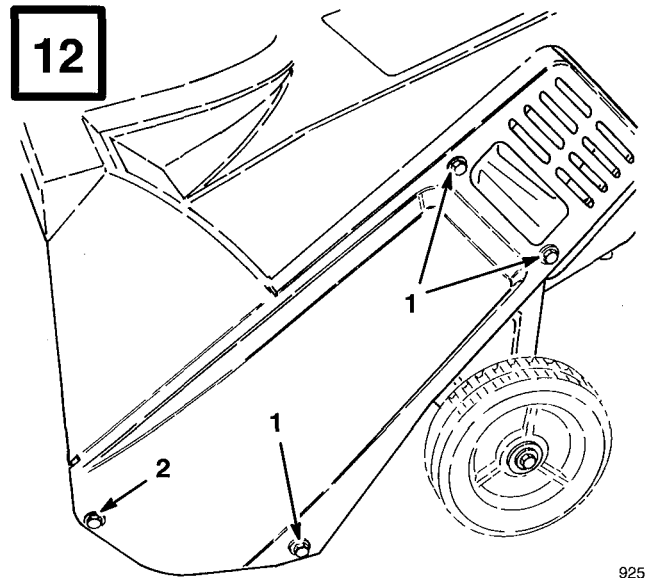
923

**English**

- 1. Scraper
- 2. Wear indicator groove

**Français**

- 1. Lame racluse
- 2. Rainure indicatrice d'usure



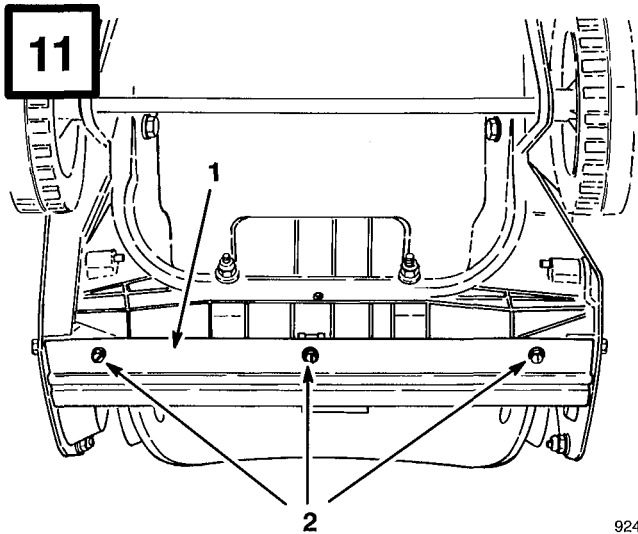
925

**English**

- 1. Self-tapping screws
- 2. Capscrew, nut, washer

**Français**

- 1. Vis autotaraudeuses
- 2. Vis borgne, écrou, rondelle



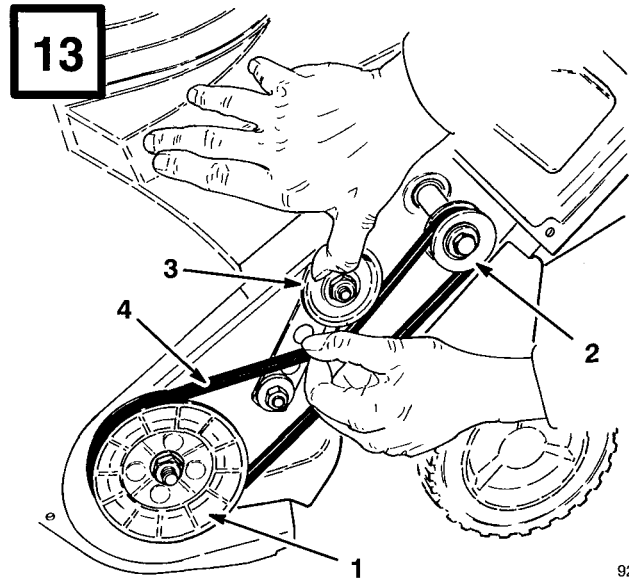
924

**English**

- 1. Scraper
- 2. Screws

**Français**

- 1. Lame racluse
- 2. Vis



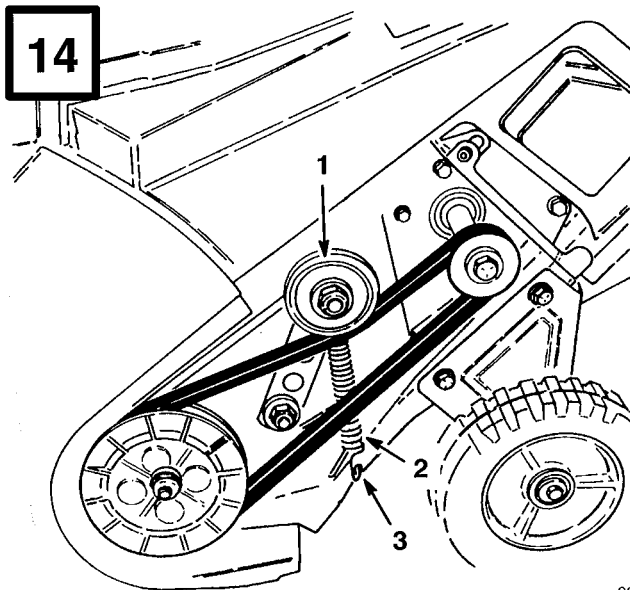
926

**English**

- 1. Rotor pulley
- 2. Drive pulley
- 3. Idler pulley
- 4. Drive belt

**Français**

- 1. Poulie de rotor
- 2. Poulie d'entraînement
- 3. Galet tendeur
- 4. Courroie d'entraînement



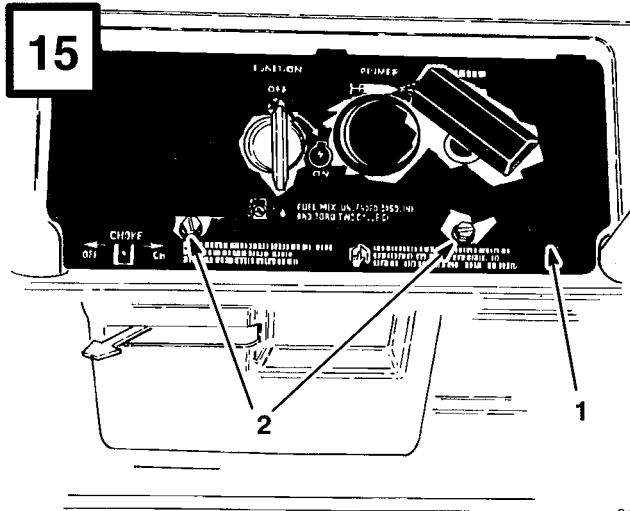
930

**English**

- 1. Idler pulley
- 2. Idler spring
- 3. Notch

**Français**

- 1. Galet tendeur
- 2. Ressort de galet tendeur
- 3. Encoche



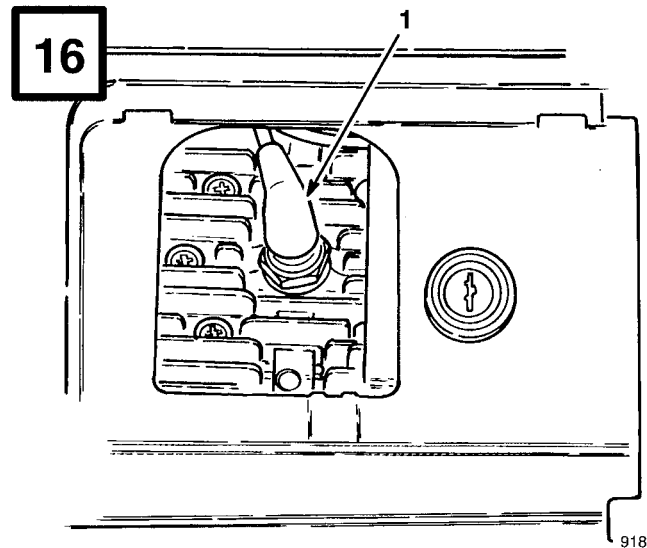
917

**English**

- 1. Control panel
- 2. Screws

**Français**

- 1. Panneau de commande
- 2. Vis



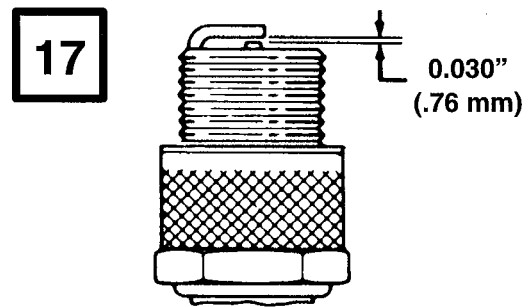
918

**English**

- 1. Spark plug wire

**Français**

- 1. Câble de bougie



110

## Contents

	Page
Introduction .....	1
Safety .....	2
Before Operating .....	2
While Operating .....	2
Maintaining Snowthrower .....	3
Sound Pressure Level .....	4
Vibration Level .....	4
Symbol Glossary .....	4
Assembly .....	8
Install Discharge Chute .....	8
Install Handle .....	8
Before Starting .....	8
Mix Gasoline and Oil .....	9
Operation .....	10
Starting/Stopping Engine .....	10
Operating Tips .....	10
Folding Snowthrower .....	11
Maintenance .....	12
Draining Gasoline .....	12
Replacing Rotor Blades .....	12
Replacing Scraper .....	13
Replacing Drive Belt .....	13
Replacing Spark Plug .....	13
Adjusting Carburetor .....	14
Storage .....	14

## Introduction

Thank you for purchasing a Toro product.

All of us at Toro want you to be completely satisfied with your new product, so feel free to contact your local Authorized Service Dealer for help with service, genuine Toro parts, or other information you may require.

Whenever you contact your Authorized Service Dealer or the factory, always know the model and serial numbers of your product. These numbers will help the Service Dealer or Service Representative

provide exact information about your specific product. You will find the model and serial number decal located in a unique place on the product as shown in Figure 1.

For your convenience, write the product model and serial numbers in the space below.

<b>Model No.</b> _____
<b>Serial No.</b> _____

Read this manual carefully to learn how to operate and maintain your product correctly. Reading this manual will help you and others avoid personal injury and damage to the product. Although Toro designs, produces and markets safe, state-of-the-art products, you are responsible for using the product properly and safely. You are also responsible for training persons who you allow to use the product about safe operation.

The Toro warning system in this manual identifies potential hazards and has special safety messages that help you and others avoid personal injury, even death. DANGER, WARNING and CAUTION are signal words used to identify the level of hazard. However, regardless of the hazard, be extremely careful.

**DANGER** signals an extreme hazard that will cause serious injury or death if the recommended precautions are not followed.

**WARNING** signals a hazard that may cause serious injury or death if the recommended precautions are not followed.


**CAUTION** signals a hazard that may cause minor or moderate injury if the recommended precautions are not followed.

Two other words are also used to highlight information. "Important" calls attention to special mechanical information and "Note" emphasizes general information worthy of special attention.

---

The left and right side of the machine is determined by standing behind the handle in the normal operator's position.

## Safety

**To ensure maximum safety, best performance, and to gain knowledge of the product, it is essential that you or any other operator of the snowthrower read and understand the contents of this manual before the motor is ever started. Pay particular attention to the safety alert symbol  which means CAUTION, WARNING OR DANGER — “personal safety instruction.” Read and understand the instruction because it has to do with safety. Failure to comply with instruction may result in personal injury.**

This snowthrower is designed and tested to offer safe and effective service, provided it is operated in strict accordance with the following Safety Instructions. Failure to comply with the following instructions **MAY RESULT IN PERSONAL INJURY.**

**WARNING:** Engine exhaust contains carbon monoxide which is an odorless, deadly poison. Carbon monoxide is also known to the State of California to cause birth defects. Do not run engine indoors or in an enclosed area.

### Before Operating

1. Read and understand the contents of this manual carefully before operating the snowthrower. Be thoroughly familiar with all controls and proper use of the equipment. Know how to stop the snowthrower and disengage the controls quickly.
2. Never allow children to operate the snowthrower. Adults should operate the snowthrower only after reading this manual.
3. Keep everyone, especially children and pets, away from the snowthrower and area of operation.

4. Inspect area thoroughly where snowthrower will be used. Remove doormats, sleds, boards, sticks, wire, and any other foreign objects which might be picked up and thrown by the snowthrower.
5. Keep all shields and safety devices in place. If a shield, safety device, or decal is illegible or damaged, repair or replace it before beginning operation. Also, tighten any loose nuts, bolts, knobs or screws.
6. Wear adequate winter clothing and rubber boots that will ensure proper footing on slippery surfaces. Do not wear loose fitting clothing that could possibly get caught in moving parts.
7. Always wear safety glasses or eye shields during operation or while performing an adjustment or repair to protect eyes from foreign objects that may be thrown from the machine.
8. Because fuel is highly flammable, handle it carefully. **DO NOT SMOKE WHILE HANDLING GASOLINE.**
  - A. Use an approved fuel container.
  - B. Fill fuel tank outdoors with extreme care, not indoors.
  - C. **NEVER ADD FUEL TO AN ENGINE THAT IS RUNNING OR HOT.**
  - D. Replace gas cap securely on fuel container and gas tank, and wipe up any spilled gasoline before starting engine.
9. Allow engine to warm up outdoors before operating.
10. Engines produce carbon monoxide gas, which is an odorless, deadly poison; therefore, do not run engine indoors or in an enclosed area.

### While Operating

11. Use only the extension cord provided with the CCR POWERLITE® Electric Start Model. Do not plug the extension cord into outlet while standing in water or when hands are wet. Do not use cord if gasoline has been spilled. If extension cord is damaged, replace immediately.

- 
12. Never direct discharge toward or operate snowthrower near bystanders, glass enclosures, automobiles and trucks, window wells, or a drop-off. Never allow anyone in front of snowthrower.
  13. Operate the snowthrower only when there is good visibility or light.
  14. Always maintain secure footing and balance and keep a firm grip on the handle. Walk; never run. Exercise caution to avoid slipping or falling.
  15. Be attentive when using the snowthrower, and stay alert for holes in the terrain and other hidden hazards.
  16. **WHEN THE ENGINE IS RUNNING, THE DISCHARGE ROTOR IS TURNING. STAY BEHIND THE HANDLES AND AWAY FROM DISCHARGE OPENING WHILE OPERATING THE SNOWTHROWER.** Keep face, hands, feet, and any other part of your body or clothing away from concealed, moving or rotating parts.
  17. Never clear snow off steep slopes or across the face of slopes. Exercise extreme caution when changing direction on slopes.
  18. **DO NOT USE SNOWTHROWER ON A ROOF.**
  19. Do not overload the snowthrower by clearing snow at too fast a rate.
  20. Never operate the machine at high transport speeds on slippery surfaces.
  21. **Use extreme caution** when crossing or operating snowthrower on walks or roads. It is not recommended that snowthrower be used on gravel or crushed rock drives. Stay alert for hidden hazards or traffic. Refer to Operation, page 10, item 5 for correct operating procedure.
  22. If a foreign object is hit or snowthrower vibrates abnormally, stop engine by turning key to OFF, disconnect spark plug wire, disconnect the cord on electric start units, and wait for all moving parts to stop. Check snowthrower immediately for possible damage, an obstruction or loose parts. Vibration is generally a sign of trouble. Repair any damage before operating snowthrower again.
  23. Before adjusting, cleaning, repairing or inspecting the snowthrower, or before unclogging the discharge chute or auger housing, stop engine by turning key to OFF and wait for all moving parts to stop. Do not make any adjustments while engine is running. Disconnect the spark plug wire and keep the wire away from plug to prevent accidental starting.
  24. **WHENEVER YOU LEAVE THE OPERATING POSITION, STOP ENGINE BY TURNING KEY TO OFF. REMOVE KEY FROM SWITCH IF UNIT WILL BE UNATTENDED.**
  25. Let snowthrower run for a few minutes after clearing snow so moving parts do not freeze.
  26. Remove key from switch when snowthrower is transported or not in use.
  27. Always drain gasoline from snowthrower fuel tank before transporting in a car trunk or vehicle; refer to Draining Gasoline, page 12. Gasoline and its fumes are highly flammable, explosive, and dangerous if inhaled.

## Maintaining Snowthrower

28. **REMOVE KEY FROM SWITCH** when storing snowthrower. Store key in a memorable place.
29. Never store snowthrower with fuel in fuel tank inside a building where ignition sources such as an open flame, sparks, hot water and space heaters, and clothes dryers are present. Allow engine to cool before storing. Never store snowthrower in house (living area) or basement because gasoline and fumes are highly flammable, explosive, and dangerous if inhaled.
30. Always refer to Operator's Manual for important details if snowthrower is to be stored for an extended period.

31. Perform only those maintenance instructions described in this manual. Remove key from switch before performing maintenance procedures to prevent the possibility of accidental starting. If major repairs are ever needed, contact your local Authorized TORO Service Dealer for assistance.

32. Keep snowthrower in safe operating condition by keeping nuts, bolts, and screws tight. Check all fasteners frequently to assure they are tight.

33. To assure optimum performance and safety, purchase genuine TORO replacement parts and accessories to keep your TORO all TORO. **NEVER USE "WILL FIT" REPLACEMENT PARTS AND ACCESSORIES.** The TORO logo assures genuineness.

## Sound Pressure Level

This unit has an equivalent continuous A-weighted sound pressure at the operator ear of: 89 dB(A), based on measurements of identical machines per ANSI B71.5-1984 procedures.

## Vibration Level

### Model 38171

This unit has a maximum hand-arm vibration level of 11.6 m/s<sup>2</sup>, based on measurement of identical machines per ISO 5349.

### Model 38176

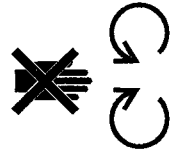
This unit has a maximum hand-arm vibration level of 1.73 m/s<sup>2</sup>, based on measurement of identical machines per ISO 5349.

## Symbol Glossary

Safety alert triangle — symbol within triangle indicates a hazard



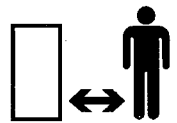
Do not open or remove safety shields while engine is running



Safety alert symbol



Stay a safe distance from the machine



Read operator's manual



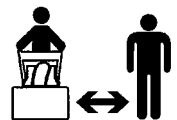
Stay a safe distance from the machine — single stage snowthrower



Consult technical manual for proper service procedures



Stay a safe distance from the machine — two stage snowthrower



Shut off engine and remove key before performing maintenance or repair work



Shut off engine and remove key before leaving operator position – single stage snowthrower



Shut off engine and remove key before leaving operator position – two stage snowthrower



Severing of fingers or hand – impeller blade



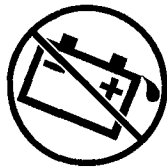
Hot surfaces – burns to fingers or hands



Caustic liquids – chemical burns to fingers or hands



Do not tip battery



Thrown or flying objects — Whole body exposure



Electrical shock – electrocution



Cutting or entanglement of foot – rotating auger



Electric start



Machine loss of control – uphill slope



Machine loss of control – downhill slope



Traction drive



Keep dry



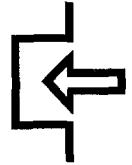
Snowthrower collector  
auger



Machine travel  
direction – forward



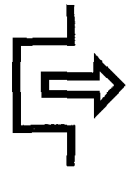
Engage



Machine travel  
direction – rearward



Disengage



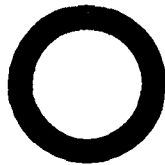
On/start



Choke



Off/stop



Engine speed  
(Throttle)



Fast



Neutral



Slow



Snowthrower collector  
auger



Decreasing/Increasing



Lock



**Engine start**



**Engine stop**



**Snowthrower chute direction**



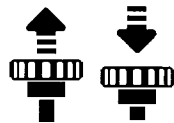
**Primer (start aid)**



**Primer operation**



**Throttle operation**



**Unlock**



**Lever operation**



**Lever operation**



**Unleaded fuel**



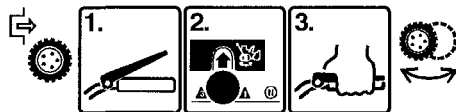
**Cutting of fingers or hand**



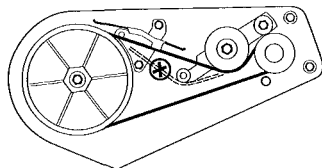
**Cutting of foot**



## PowerShift operation



## Belt routing



# Assembly

**Note:** Determine left and right sides of snowthrower by standing in the normal operating position.

## Install Discharge Chute (Fig. 2)

1. Position holes on sides of discharge chute over hex bolts on sides of chute handle. Secure discharge chute onto hex bolts with (2) washers and (2) locknuts. While holding hex bolt heads with a wrench (7/16), tighten locknuts securely.
2. Rotate discharge chute to the completely upright position. Install knob **TIGHTLY** onto screw at rear of discharge chute.

## Install Handle (Fig. 3)

1. Position ends of upper handle on inside of lower handles and align holes. Secure upper handle to lower handles using oval head bolts, curved washers, and knobs. Position knobs and curved washers on inside of handle and **TIGHTEN KNOBS SECURELY** to prevent them from loosening.

**Note:** Make sure the oval head bolts and curved washers are aligned correctly as shown in Figure 3 to prevent knobs from loosening.

# Before Starting

## DANGER

### POTENTIAL HAZARD

- In certain conditions gasoline is extremely flammable and highly explosive.

### WHAT CAN HAPPEN

- A fire or explosion from gasoline can burn you, others, and cause property damage.

### HOW TO AVOID THE HAZARD

- Use a funnel and fill the fuel tank outdoors, in an open area, when the engine is cold. Wipe up any gasoline that spills.
- Do not fill the fuel tank completely full. Add gasoline to the fuel tank until the level is 1/4" to 1/2" (6 mm to 13 mm) below the bottom of the filler neck. This empty space in the tank allows gasoline to expand.
- Never smoke when handling gasoline, and stay away from an open flame or where gasoline fumes may be ignited by a spark.
- Store gasoline in an approved container and keep it out of the reach of children.
- Never buy more than a 30-day supply of gasoline.

## Mix Gasoline and Oil (Fig. 4)

Use clean, fresh lead-free gasoline, including *oxygenated* or *reformulated* gasoline, with an octane rating of 85 or higher. To ensure freshness, purchase only the quantity of gasoline that can be used in 30 days. Use of lead-free gasoline results in fewer combustion chamber deposits and longer spark plug life. Use of premium grade fuel is not necessary or recommended.

1. **APPROVED OIL**—For simplicity and best engine performance, mix the contents of one 5.2 ounce bottle of Toro 50:1 Two-Cycle Oil with two gallons of fresh, unleaded regular gasoline. You can also use Toro “Easy-Mix” Two-Cycle Oil (3.2 ounce bottle mixed one per gallon of gasoline; 40:1 ratio) in this Toro two-cycle engine. Leaded regular gasoline may be used if unleaded regular is not available.

Toro Two-Cycle Oil is specially formulated to provide superior lubrication, make starting easy, and prolong engine life. If Toro Two-Cycle Oil is not available, mix two gallons of gasoline and 5.2 ounces of another high grade two-cycle oil that has the NMMA or BIA-TCW certification printed on the label.

**NEVER USE AUTOMOTIVE OIL (i.e. SAE 30, 10W30 etc.), TWO-CYCLE OIL THAT IS NOT CERTIFIED NMMA/BIA-TCW, OR THE WRONG MIX RATIO BECAUSE THE ENGINE CAN BE DAMAGED, AND IT WOULD NOT BE COVERED BY THE TORO WARRANTY.**

2. **Mixing Gasoline and Oil**—Pour a half gallon of gasoline into an approved gasoline container and add the correct amount of two-cycle oil. Install cap on gasoline container and shake the container to mix oil and gas thoroughly. Remove cap and add remaining amount of gasoline.

Toro also recommends that Toro Stabilizer/Conditioner be used regularly in all Toro gasoline powered products during operation and storage seasons. Toro Stabilizer/Conditioner cleans the engine during operation and prevents gum-like varnish deposits from forming in the engine during periods of storage.

**IMPORTANT: NEVER USE METHANOL, GASOLINE CONTAINING METHANOL, GASOHOL CONTAINING MORE THAN 10% ETHANOL, PREMIUM GASOLINE, OR WHITE GAS BECAUSE ENGINE FUEL SYSTEM DAMAGE COULD RESULT.**

**DO NOT USE FUEL ADDITIVES OTHER THAN THOSE MANUFACTURED FOR FUEL STABILIZATION DURING STORAGE SUCH AS TORO'S STABILIZER/CONDITIONER OR A SIMILAR PRODUCT. TORO'S STABILIZER/CONDITIONER IS A PETROLEUM DISTILLATE BASED CONDITIONER/STABILIZER. TORO DOES NOT RECOMMEND STABILIZERS WITH AN ALCOHOL BASE SUCH AS ETHANOL, METHANOL OR ISOPROPYL. ADDITIVES SHOULD NOT BE USED TO TRY TO ENHANCE THE POWER OR PERFORMANCE OF MACHINE.**

**Note:** Do not mix gasoline and oil in the product fuel tank. Oil that is at room temperature mixes easier and more thoroughly than cold oil.

### 50:1 GAS/OIL Mixing Chart

U.S. GALLON	
Gasoline	Oil
1 gallon	2.6 oz.
1.5 gallons	3.9 oz.
2 gallons	5.2 oz.

# Operation

## Starting/Stopping Engine (Fig. 5)

1. CONTROLS—Key switch, primer, electric start button\*, and recoil starter are located on the control panel. The choke lever is just below the lower left corner of the control panel.
2. Turn key to ON and move choke lever to ON (far right position).
3. Cover hole in center of primer with thumb and push primer twice slowly (1 to 2 seconds per prime) for temperatures above 0°F (-18°C). Push primer slowly three times for temperatures below 0°F (-18°C). **DO NOT PRIME IF THE ENGINE HAS BEEN RUNNING AND IS HOT.**

**Note:** When starting engine for first time or after running out of fuel, more priming may be required to start engine.

### 4. STARTING

- A. RECOIL STARTING—Hold snowthrower with one hand and pull recoil starter vigorously with other hand. If engine does not start after three pulls, push primer once more and pull recoil starter vigorously again.
- B. ELECTRIC STARTING—Connect extension cord to snowthrower and standard household power outlet. Push starter button. When engine starts, disconnect extension cord from snowthrower and outlet.

**IMPORTANT:** Excessive running of the electric starter could damage the starter due to overheating. If you are having difficulty starting the engine, **ONLY TRY THIS STARTING PROCEDURE TWICE.** Run the electric starter **no more than 10 times** at intervals of **5 seconds ON, 5 seconds OFF.** If engine does not start after this first attempt, wait more than **40 minutes** to allow starter to

cool before trying to run starter again. Before repeating engine starting procedure, check that ignition key switch is ON, and make sure there is fresh fuel in fuel tank. If engine still will not start after a second attempt, bring the snowthrower to an Authorized Toro Service Dealer for servicing.

5. When engine starts, move choke lever to middle position after a few seconds of running time. After engine has warmed up, move choke lever to OFF (far left) position.
6. TO STOP ENGINE—Turn key to OFF, and wait for all moving parts to stop before leaving operator's position.

## Operating Tips (Fig. 6)

### WARNING

#### POTENTIAL HAZARD

- When engine is running, discharge rotor is turning.

#### WHAT CAN HAPPEN

- Objects thrown from discharge chute can cause personal injury.

#### HOW TO AVOID THE HAZARD

- Keep yourself and other people away from discharge opening when engine is running.
- Before leaving operating position, stop engine by turning key to OFF.

1. ADJUSTING DISCHARGE CHUTE—Move the chute handle left and right to adjust the direction of the snow stream. Rotate the chute deflector handle on top of the discharge chute forward and backward to adjust the height of the snow stream. Do not overtighten the chute deflector mounting nuts so excessive force is required to adjust the deflector.
2. SELF-PROPELLING ACTION—The snowthrower clears down to the ground and propels itself forward when tilted **slightly** forward so rotor blades strike the ground. The wheels do not have to touch the ground in order

to self-propel. The further you tilt the handle forward, the faster the snowthrower self-propels. However, depth and height of snow affects forward speed. Always overlap each swath and discharge downwind when possible.

**Note:** If snowthrower is tilted too far forward, it will self-propel at a rapid rate and snow will spray back at the feet of the operator. Reduce lift on handle slightly to self-propel at a moderate rate.

3. Keep the area to be cleared free of stones, toys, or other foreign objects which may be picked up and thrown by the rotor blades. Such items could be covered by snowfall and, therefore, unnoticed until struck by the rotor blades. Always be sure to keep all people and pets away from area of operation to prevent possibility of being hit by thrown objects.
4. **ON STEPS OR CUTTING THROUGH DRIFTS**—It is recommended that operator stand on **right** side of snowthrower and hold it by upper handle and chute handle (standing on left side may expose operator to engine exhaust). Use a side-to-side sweeping motion to clear snow.
5. It is not recommended that snowthrower be used on gravel or crushed rock driveways or walks. Should you find it necessary to clear snow from crushed rock or gravel, push down on handle to raise rotor blades clear of loose material that could be thrown by the blades and push unit forward.
6. In some snow and cold weather conditions, some controls and moving parts may freeze solid. **DO NOT USE EXCESSIVE FORCE WHEN TRYING TO OPERATE FROZEN CONTROLS.** When any control or part

becomes hard to operate, start the engine and let it run for a few minutes. If control or part still will not move with moderate force, stop engine, remove ice or thaw out snowthrower.

## **WARNING**

### **POTENTIAL HAZARD**

- **Gasoline and its fumes are highly flammable, explosive, and dangerous if inhaled.**

### **WHAT CAN HAPPEN**

- **If gasoline contacts a flame or is inhaled, serious personal injury can occur.**

### **HOW TO AVOID THE HAZARD**

- **Never warm up snowthrower with fuel in tank inside a building where open flame or sparks are present.**
- **Never store snowthrower in house (living area), basement or anywhere open flame is present.**

7. **AFTER CLEARING SNOW**—Let engine run for a few minutes so ice does not freeze moving parts solid. After engine is shut off, wipe ice and snow off entire unit.

**IMPORTANT: STORE SNOWTHROWER IN OPERATING POSITION ON ITS WHEELS OR HANG ON A WALL BY ITS HANDLE. TIPPING OR STORING UNIT FORWARD ONTO FRONT HOUSING MAY CAUSE HARD STARTING.**

## **Folding Snowthrower (Fig. 7)**

The CCR POWERLITE® folds compactly for easy transporting or storage. To fold up snowthrower, follow these instructions:

## **WARNING**

### **POTENTIAL HAZARD**

- Gasoline and its fumes are highly flammable, explosive, and dangerous if inhaled.

### **WHAT CAN HAPPEN**

- If gasoline contacts a flame or is inhaled, serious personal injury can occur.

### **HOW TO AVOID THE HAZARD**

- Always remove gasoline from snowthrower fuel tank before transporting in a closed car trunk or vehicle; refer to **Draining Gasoline**, page 12.

1. Remove knob from rear of discharge chute.
2. Fold chute down. Reinstall knob tightly onto bolt at rear of discharge chute handle to prevent losing it.
3. Loosen knobs on handle and fold handle down over unit.
4. Carry unit by discharge chute handle.
5. Be sure to tighten all knobs **SECURELY** after unfolding handle and chute.

## **Maintenance**

Keep snowthrower in safe operating condition by cleaning the unit. Check and tighten any loose nuts, bolts, knobs, and screws. The scraper, drive belt, rotor blades, and spark plug should be checked once a year.

### **Draining Gasoline**

1. Stop engine. Remove key from switch.
2. Remove cap from fuel tank and use a pump type syphon to drain fuel into a clean, approved fuel container.

3. After fuel is drained, start engine and let it run until all fuel is consumed and engine stops. Repeat the starting procedure two more times to assure all fuel is removed from the engine.

**Note:** This is the only procedure recommended for draining fuel because it allows all fuel to be removed from fuel tank.

### **Replacing Rotor Blades (Fig. 8-9)**

Before each snow season, inspect rotor blades for wear. When blade edge has worn to the wear indicator hole (Fig. 8), the blades must be replaced to assure proper performance and prevent damage to underside of snowthrower. Always replace both blades at the same time.

**Note:** Whenever rotor blades are replaced, scraper should also be replaced to ensure proper snowthrower operation and performance.

1. Stop engine. Remove key from switch. Pull wire off spark plug.
2. **REMOVING BLADE** (Fig. 9)—Remove (4) torx screws (Bit No. T27), (2) capscrews, and (6) locknuts securing blade to rotor shaft assembly.
3. Slide the blade out from between the blade support (Fig. 9).
4. **INSTALLING NEW BLADE**—The rotor blades are made of laminated rubber. Examine the edge of a blade to see the difference in layer thicknesses (Fig. 9).

Both blades must be installed with the thick layer on the **inside** of the curve, and the wear indicator holes must be on the drive belt cover side (Fig. 9). If one of the blades is installed with the thick layer on the outside of the curve and the other blade installed with the thick layer on the inside of the curve, the blades will be unbalanced, causing the snowthrower to “hop” or “bounce.”

5. Insert new blade between blade supports. Secure center of blade to blade supports with (2) capscrews and (2) locknuts. Position screw heads on thick layer side of blade. Curve blade and secure it with remaining (4) torx screws and locknuts (position screw heads on thick layer side of blade). Tighten all screws and nuts securely.
6. Repeat steps 1–4 to replace other blade.

## Replacing Scraper (Fig. 10-11)

Before each season, inspect scraper for wear. When wear indicator groove is worn away (Fig. 10), replace scraper to prevent damage to underside of snowthrower.

1. Stop engine. Remove key from switch. Pull wire off spark plug.
2. Tip snowthrower forward onto front housing.
3. Remove (3) screws holding scraper in place (Fig. 11). Remove scraper.
4. Secure new scraper to housing with (3) screws.

## Replacing Drive Belt (Fig. 12-14)

After extended use, drive belt may wear and require replacement. If drive belt continues to slip under a heavy load or the rotor does not turn, check to see if belt is severely worn.

1. Stop engine. Remove key from switch. Pull wire off spark plug.
2. Remove (3) self tapping screws, (1) capscrew, (1) washer, and (1) nut securing left side cover to snowthrower frame (Fig. 12). Remove cover.
3. **REMOVING BELT** (Fig. 13)–Pull idler pulley up slightly while pulling out on belt. Allow pulley to gradually release when it can move

past the belt. Rotate rotor with left hand and work belt off rotor pulley with right hand. Belt then slides easily off drive pulley.

4. **INSTALLING BELT** (Fig. 14)–Loop belt around drive pulley. While holding belt with right hand, slip belt onto rotor pulley and rotate rotor with left hand until belt is completely on rotor pulley. Make sure long end of idler spring is hooked in housing notch and round end of spring is hooked on pin on back of idler pulley. Lift up idler pulley arm assembly, squeeze belt together, and route belt under idler pulley.
5. Reinstall left side cover. Tighten fasteners securely, but **DO NOT OVERTIGHTEN**.

## Replacing Spark Plug (Fig. 15-17)

Before each snow season, check the spark plug. If electrodes in center of plug are dark or have deteriorated, install a new plug. Use a Champion CJ8Y spark plug or equivalent and set gap at .030" (.76 mm).

1. **REMOVE CONTROL PANEL** (Fig. 15)–Remove (2) screws securing control panel to housing. Remove ignition key and lift off panel, allowing it to hang on recoil rope.
2. **REMOVE SPARK PLUG** (Fig. 16)–Pull wire off spark plug and remove plug. Examine the plug and replace if cracked, fouled, or dirty. **DO NOT SANDBLAST, SCRAPE, OR CLEAN SPARK PLUG BECAUSE DIRT MAY RELEASE AND FALL INTO CYLINDER CAUSING ENGINE DAMAGE.**
3. **INSTALL SPARK PLUG**–Set air gap (Fig. 17) between electrodes at .030" (.76 mm). Install plug and tighten to 15 ft–lb (20.4 N·m). If torque wrench is not used, tighten plug firmly with wrench by hand; **DO NOT OVERTIGHTEN**. Push wire onto spark plug and reinstall control panel.

---

## Adjusting Carburetor

The carburetor has been factory set, and no adjustment is required. However, when operating snowthrower at altitudes of 5000 feet above sea level or higher, carburetor jet may have to be changed. Contact your local Authorized Toro Service Dealer for assistance.

## Storage

### 1. FUEL SYSTEM PREPARATION—

- Add Toro Stabilizer/Conditioner to the fuel tank (one ounce per gallon of fuel).
- Run engine for five minutes to distribute conditioned fuel through fuel system.
- Stop engine, allow it to cool, and drain fuel tank or run engine until it stops.
- Restart the engine again and run it until it stops.
- Either choke or prime the engine, restart it a third time and run engine until it will not restart.

- Dispose of fuel properly. Recycle per local codes.
  - **DO NOT store STABILIZED gasoline over 90 days.**
2. **CYLINDER/PISTON CARE**—Slowly pull recoil starter until resistance is felt due to compression pressure, then stop. Release starter tension slowly to prevent engine from reversing due to compression pressure. This position closes both the intake and exhaust ports which prevents corrosion of the cylinder bore.
  3. **TIGHTEN FASTENERS AND CLEAN**—Tighten screws, bolts, knobs and nuts if necessary. Repair or replace damaged parts. Clean unit thoroughly.
  4. **STORE SNOWTHROWER**—Cover snowthrower and store in a clean, dry place out of the reach of children. Never store snowthrower in the house or basement where ignition sources may be present such as hot water and space heaters, clothes dryers, and the like. Allow engine to cool before storing in any enclosure.

## Table des matières

	Page
Introduction .....	1
Sécurité .....	2
Avant d'utiliser la déneigeuse .....	2
Pendant l'utilisation .....	3
Entretien .....	4
Niveau de pression acoustique .....	4
Niveau de vibrations .....	4
Glossaire des pictogrammes .....	5
Assemblage .....	8
Installation de l'éjecteur .....	8
Montage du mancheron .....	8
Avant le démarrage .....	9
Mélange d'essence et d'huile .....	9
Fonctionnement .....	11
Mise en marche/arret du moteur .....	11
Conseils d'utilisation .....	12
Repliage de la déneigeuse .....	13
Entretien .....	13
General .....	13
Vidange de l'essence .....	14
Remplacement des lames du rotor .....	14
Remplacement de la lame racleuse .....	14
Remplacement de la courroie d'entraînement .....	15
Remplacement de la bougie .....	15
Reglage du carburateur .....	15
Remisage de la déneigeuse .....	16

## Introduction

Merci pour votre achat d'un produit Toro.

À Toro, notre désir à tous est que vous soyez entièrement satisfait de votre nouveau produit. N'hésitez donc pas à contacter votre concessionnaire agréé local qui tient à votre disposition un service d'entretien et de réparations, des pièces détachées et toute information qui pourrait vous être utile.

Chaque fois que vous contactez votre concessionnaire agréé ou l'usine, tenez à sa disposition les numéros de modèle et de série du produit. Ces numéros aideront le concessionnaire ou le représentant du service après-vente à vous fournir des informations précises pour votre produit particulier. Les numéros de modèle et de série de l'appareil sont indiqués sur une décalcomanie comme illustré à la figure 1.

Pour votre commodité, inscrivez les numéros de modèle et de série du produit dans l'espace ci-dessous.

<p><b>No. de modèle :</b> _____</p> <p><b>No. de série :</b> _____</p>
--

Lisez attentivement ce manuel pour vous familiariser avec l'utilisation et l'entretien correct de votre produit. La lecture de ce manuel vous aidera, ainsi que les autres utilisateurs, à éviter des accidents corporels et des dommages au produit. Bien que Toro conçoive, fabrique et commercialise des produits sûrs, à la pointe de la technologie, vous avez la responsabilité de l'utiliser correctement et en toute sécurité. Vous êtes également responsables d'instruire les personnes auxquelles vous permettrez d'utiliser le produit, sur l'usage en toute sécurité.

Les mises en garde de ce manuel identifient les dangers potentiels et comprennent des messages de sécurité spécifiques destinés à vous éviter et à éviter à d'autres des blessures ou même la mort. Les mises en garde sont intitulées DANGER, AVERTISSEMENT et ATTENTION, suivant le niveau de danger. Toutefois, quel que soit ce niveau, soyez extrêmement prudent.

**DANGER** signale un risque extrême de blessures ou de mort si les précautions recommandées ne sont pas respectées.

**AVERTISSEMENT** signale un risque de blessures ou de mort si les précautions recommandées ne sont pas respectées.

---

**ATTENTION** signale un risque de blessures légères ou modérées si les précautions recommandées ne sont pas respectées.

Deux autres termes sont également utilisés pour signaler des messages d'informations essentielles : "Important", pour attirer l'attention sur des informations mécaniques spécifiques, et "Remarque", pour des informations d'ordre général méritant une attention particulière.

Les côtés droit et gauche de la tondeuse sont identifiés comme tels en se tenant en position normale de tonte, derrière le guidon.

## Sécurité

**Pour maximiser la sécurité et le rendement, et se familiariser avec la machine, il est essentiel que vous ou tout autre utilisateur de la déneigeuse lise et comprenne bien le contenu du présent manuel avant de faire démarrer le moteur. Accordez une attention particulière aux symboles de sécurité ⚠ qui signifient ATTENTION, AVERTISSEMENT OU DANGER — "Instructions de sécurité personnelle." Lisez et assurez-vous de bien comprendre ces instructions qui se rapportent à la sécurité. Un non respect de ces instructions peut entraîner un accident corporel.**

Cette déneigeuse est conçue et a été testée pour fonctionner de façon sûre et efficace, dans la mesure où elle est utilisée dans le respect le plus strict des instructions de sécurité ci-dessous. Un non respect de ces instructions **PEUT ENTRAÎNER UN ACCIDENT CORPOREL.**

**AVERTISSEMENT :** les gaz d'échappement contiennent du monoxyde de carbone, un gaz nocif inodore et mortel. Le monoxyde de carbone est également reconnu par l'état de Californie pour causer des malformations congénitales. Ne laissez jamais le moteur tourner à l'intérieur ou dans un endroit clos.

## Avant d'utiliser la déneigeuse

1. Lisez attentivement et assurez-vous de bien comprendre le contenu du présent manuel avant d'utiliser la déneigeuse. Familiarisez-vous avec toutes les commandes et l'usage correct de la machine. Apprenez à arrêter la déneigeuse et à débrayer les commandes rapidement.
2. Ne laissez jamais des enfants utiliser la déneigeuse. Les adultes ne devraient le faire qu'après avoir lu le présent manuel.
3. Ne laissez personne, en particulier les enfants et les animaux approcher de la machine ni de la zone à déneiger.
4. Inspectez soigneusement la zone à déneiger. Déblayez tous paillasons, traîneaux, planches, bâtons, morceaux de fil de fer, et autres objets susceptibles d'être ramassés et projetés par la déneigeuse .
5. Laissez toutes les tôles de protection et dispositifs de sécurité en place. Si l'un d'eux est endommagé ou si un autocollant est illisible ou abîmé, le réparer ou le remplacer avant de mettre la machine en marche. De plus, resserrez tous boulon, écrou, bouton ou vis desserrés.
6. Portez des vêtements d'hiver et des bottes en caoutchouc appropriées pour ne pas risquer de dérapier sur les surfaces glissantes. Ne portez pas de vêtements amples qui pourraient se prendre dans les pièces mobiles.
7. Portez toujours des lunettes de sécurité lorsque vous utilisez la machine ou effectuez un réglage ou une réparation pour vous protéger les yeux des objets pouvant être projetés par la machine.
8. Le carburant est hautement inflammable ; le convient donc de le manipuler avec précautions.
  - A. Utilisez un récipient homologué.
  - B. Remplissez toujours le réservoir de carburant à l'extérieur, avec la plus grande prudence, jamais à l'intérieur.
  - C. **NE FAITES JAMAIS L'APPOINT DE CARBURANT SI LE MOTEUR TOURNE OU EST ENCORE CHAUD.**

- D. Veillez à bien replacer les bouchons du jerrican et du réservoir d'essence et essuyer tout carburant renversé avant de faire démarrer le moteur.
9. Laissez le moteur chauffer à l'extérieur avant de commencer à déneiger.
  10. Le moteur produit du monoxyde de carbone, un gaz inodore mortel ; par conséquent, ne laissez pas le moteur tourner à l'intérieur ou dans un endroit clos.

## Pendant l'utilisation

11. Utilisez exclusivement le prolongateur fourni avec le modèle CCR POWERLITE® à démarrage électrique. Ne branchez pas ce prolongateur dans une prise secteur si vos pieds sont dans l'eau ou si vos mains sont mouillées. N'utilisez pas le prolongateur si de l'essence a été renversée. Remplacez-le immédiatement s'il est endommagé.
12. Ne dirigez jamais l'éjecteur vers les passants, les surfaces vitrées, les voitures et camions, les fenêtres ou gouttières. Ne laissez personne se tenir devant la déneigeuse.
13. N'utilisez la déneigeuse que si la visibilité est bonne ou l'éclairage suffisant.
14. Veillez à ne jamais perdre pied, à conserver un bon équilibre, et à tenir fermement le mancheron. Marchez ; ne courez jamais. Procédez avec précautions pour éviter de glisser ou de tomber.
15. Restez attentif lorsque vous utilisez la déneigeuse et prenez garde aux trous et autres dangers cachés.
16. **TENEZ-VOUS À L'ÉCART DE L'ÉJECTEUR LORSQUE LA DÉNEIGEUSE EST EN MARCHÉ : LE ROTOR D'ÉJECTION TOURNE LORSQUE LE MOTEUR EST EN MARCHÉ.** N'approchez pas le visage, les mains, les pieds ni toute autre partie du corps ou vêtements des pièces cachées mobiles ou rotatives.
17. Ne déneigez jamais sur des pentes raides ni perpendiculairement à une déclivité. Faites preuve d'extrême prudence lorsque vous changez de direction sur les pentes.
18. **N'UTILISEZ JAMAIS LA DÉNEIGEUSE SUR UN TOIT.**
19. Ne surchargez pas déneigeuse en essayant de déblayer trop de neige à fois.
20. Ne faites jamais rouler la machine à des vitesses excessives sur les surfaces glissantes.
21. **Procédez avec la plus grande circonspection** lors de la traversée de trottoirs ou de routes ou si vous utilisez la déneigeuse sur de tels surfaces. Il n'est pas recommandé d'utiliser la machine pour déneiger les revêtements de graviers ou de pierres concassées. Faites attention aux dangers cachés et à la circulation automobile. Reportez-vous aux instructions d'utilisation, page 12, paragraphe 5, pour la méthode d'utilisation correcte.
22. Si la déneigeuse heurte un corps étranger ou vibre anormalement, arrêtez le moteur en coupant le contact (clé en position OFF), débranchez le câble de la bougie ou le cordon d'alimentation sur les modèles à démarrage électrique et attendez l'arrêt complet de toute les pièces en mouvement. Inspectez immédiatement la machine pour localiser tout dommage possible, une obstruction ou des pièces desserrées. Des vibrations sont généralement le signe d'un problème. Effectuez toute réparation nécessaire avant de réutiliser la déneigeuse.
23. Avant de régler, nettoyer, réparer ou inspecter la déneigeuse, l'éjecteur ou le carter de la roue hélice, arrêtez le moteur en coupant le contact (clé en position OFF) et attendez l'arrêt complet de toute les pièces en mouvement. N'effectuez aucun réglage lorsque le moteur tourne. Débranchez le câble de la bougie et maintenez-le à l'écart pour empêcher un démarrage accidentel.

**24. ARRÊTEZ LE MOTEUR EN COUPANT LE CONTACT (CLÉ EN POSITION OFF) CHAQUE FOIS QUE VOUS QUITTEZ LA POSITION DE PILOTAGE, DERRIÈRE LES MANCHERONS. RETIREZ LA CLÉ DE CONTACT SI LA DÉNEIGEUSE EST LAISSÉE SANS SURVEILLANCE.**

25. Laissez la déneigeuse tourner pendant quelques minutes après avoir déneigé, pour éviter que les pièces mobiles ne gèlent.

26. Retirez la clé de contact lorsque la déneigeuse est transportée ou n'est pas en usage.

27. Vidangez toujours le réservoir de carburant de la déneigeuse avant de la transporter dans le coffre d'une voiture ou dans un autre véhicule ; voir Vidange de l'essence, page 14. L'essence et ses vapeurs sont hautement inflammables explosives et dangereuses en cas d'inhalation.

## Entretien

28. Lors du remisage, RETIREZ LA CLÉ DU CONTACT et rangez-la dans un endroit facile à se rappeler.

29. Ne remisez jamais une déneigeuse dont le réservoir contient de l'essence dans un bâtiment dans lequel sont présentes des sources inflammables telles que flammes nues, étincelles, chauffe-eaux, radiateurs soufflants et séchoirs à linge. Laissez le moteur refroidir avant de remiser la machine. L'essence et ses vapeurs étant extrêmement inflammables, explosives et dangereuses en cas d'inhalation, ne jamais remiser la déneigeuse dans une maison (partie habitée), ou un sous-sol.

30. Consultez toujours le présent manuel pour des détails importants concernant le remisage à long terme de la déneigeuse.

31. N'effectuez que les opérations d'entretien décrites dans ce manuel. Retirez la clé de contact avant de procéder à l'entretien pour éviter un démarrage accidentel. Si des réparations importantes s'avèrent nécessaires, contactez votre concessionnaire-réparateur TORO local.

32. Tous les écrous, boulons et vis doivent être bien serrés pour que la déneigeuse puisse être utilisée en toute sécurité. Vérifiez fréquemment que ces éléments de fixation sont bien serrés.

33. Pour optimiser à la fois performances et la sécurité, procurez-vous des pièces de rechange et accessoires TORO d'origine pour que la machine reste exclusivement TORO. **N'UTILISEZ EN AUCUN CAS DES PIÈCES DE RECHANGE ET ACCESSOIRES "QUI VONT ALLER".** Le sigle TORO garantit l'origine.

## Niveau de pression acoustique

Cette machine produit au niveau de l'oreille de l'utilisateur une pression acoustique continue équivalente de: 89 db(A), déterminée sur base de mesures de machines identiques selon les procédures ANSI B71.5-1984.

## Niveau de vibrations

### Modèle 38171

Cette machine a un niveau de vibrations maximum de 11.6 m/s<sup>2</sup>, déterminé sur base de mesures de machines identiques, selon ISO 5349.

### Modèle 38176

Cette machine a un niveau de vibrations maximum de 1.73 m/s<sup>2</sup>, déterminé sur base de mesures de machines identiques, selon ISO 5349.

# Glossaire des pictogrammes

Triangle d'alerte de sécurité—le pictogramme à l'intérieur indique un danger



Symbole d'alerte de sécurité



Lire le manuel de l'utilisateur



Suivre la procédure d'entretien décrite dans le manuel



Couper le moteur et retirer la clé de contact avant d'entreprendre tout entretien ou réparation



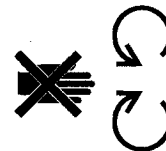
Couper le moteur et retirer la clé de contact avant de quitter la position de conduite – chasse-neige à un étage



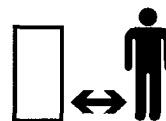
Couper le moteur et retirer la clé de contact avant de quitter la position de conduite – chasse-neige à deux étages



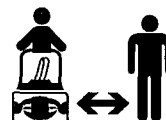
Ne pas ouvrir ou retirer les boucliers de protection quand le moteur tourne



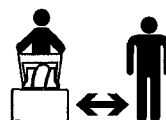
Rester à une distance suffisante de la machine



Rester à une distance suffisante de la machine – chasse-neige à un étage



Rester à une distance suffisante de la machine – chasse-neige à deux étages



Projection d'objets—risques pour tout le corps



Electrocution



Coupure ou coincement du pied – vis sans fin en rotation



**Sectionnement des  
doigts ou de la main –  
pales de turbine**



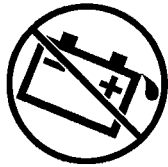
**Surfaces brûlantes –  
brûlure des doigts ou  
des mains**



**Liquides caustiques –  
brûlures chimiques  
aux doigts ou aux  
mains**



**Ne pas incliner la  
batterie**



**Conserver au sec**



**Sens de marche de la  
machine – marche  
avant**



**Sens de marche de la  
machine – marche  
arrière**



**Démarrage électrique**



**Perte de contrôle de la  
machine – pente  
ascendante**



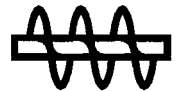
**Perte de contrôle de la  
machine – pente  
descendante**



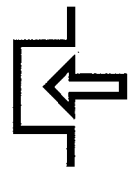
**Entraînement des  
roues**



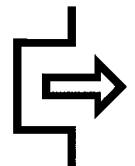
**Vis de prélèvement de  
la neige**



**Embrayer**



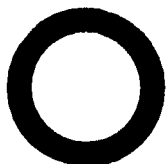
**Débrayer**



Marche/“ON”



Arrêt/“OFF”



Rapide



Lent



Augmentation/  
réduction



Démarrage du moteur



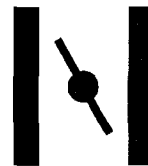
Arrêt du moteur



Sens d'éjection de la  
neige



Starter



Régime moteur  
(commande des gaz)



Point mort



Tarière de collecte de  
la déneigeuse



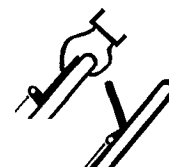
Verrouiller



Déverrouiller



Actionnement du  
levier



Actionnement du  
levier



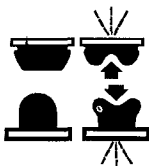
Presser trois fois  
l'amorceur



Essence sans plomb



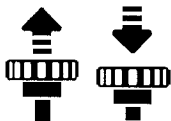
Actionnement de  
l'amorceur



Coupure des mains et  
des doigts



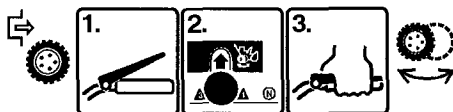
Actionnement de la  
commande des gaz



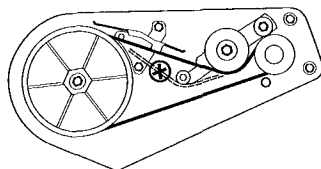
Coupure des pieds



Actionnement de  
l'inversion assistée  
(PowerShift)



Trajet de la courroie



## Assemblage

**Remarque:** les côtés gauche et droit de la déneigeuse sont identifiés comme tels du point de vue de l'opérateur en position normale de pilotage.

boulons au moyen de deux (2) rondelles et deux (2) contre-écrous. Serrez fermement ces derniers en immobilisant les têtes des boulons à l'aide d'une clé de 7/16 po.

2. Amenez l'éjecteur complètement à la verticale. Serrez **FERMEMENT** le bouton sur la vis située à l'arrière de l'éjecteur.

## Installation de l'éjecteur (Fig. 2)

1. Présentez les trous qui se trouvent sur les côtés de l'éjecteur sur les boulons à tête hexagonale latéraux de la poignée. Fixez l'éjecteur sur les

## Montage du mancheron (Fig. 3)

1. Positionnez les extrémités de l'élément supérieur du mancheron sur l'intérieur de l'élément inférieur et alignez les trous. Raccordez les deux éléments au moyen des boulons à tête ovale,

rondelles élastiques bombées et boutons.  
Positionnez les boulons et rondelles à l'intérieur et **SERREZ FERMEMENT LES BOUTONS** comme indiqué à la figure 3, pour les empêcher de se desserrer.

**Remarque:** veillez à ce que les boulons à tête ovale et les rondelles élastiques bombées soient bien alignés, comme illustré à la figure 3, pour empêcher les boutons de se desserrer.

## Avant le démarrage

 **DANGER**

### DANGER POTENTIEL

- L'essence est extrêmement inflammable et explosive dans certaines conditions.

### QUELS SONT LES RISQUES?

- Un incendie ou une explosion causé par l'essence peut brûler l'opérateur et les personnes se tenant à proximité et causer des dommages matériels.

### COMMENT SE PROTÉGER?

- Ne fumez pas lorsque vous manipulez du carburant et n'approchez pas celui-ci de flammes nues ou d'étincelles.
- Ne stockez pas plus d'essence qu'il ne vous est nécessaire pour 30 jours.
- Entrez le carburant dans un récipient homologué.
- Conservez-le hors de la portée des enfants.
- Faites le plein de carburant à l'extérieur et uniquement lorsque le moteur est froid.
- Remplissez le réservoir jusqu'à ce que le niveau du carburant atteigne juste le bas de l'éjecteur de remplissage, sans y pénétrer, pour tenir compte de la dilatation du carburant.
- Utilisez un entonnoir ou un bec verseur pour éviter de renverser.
- Essuyez toute éclaboussure d'essence.
- Vérifiez que l'endroit où se trouve la machine est sec avant de la mettre en marche.

## Melange d'essence et d'huile (Fig. 4)

Utiliser de l'essence sans plomb propre et fraîche, éventuellement *oxygénée* ou *reformulée*, avec un taux d'octane de 85 ou plus. Pour garantir la fraîcheur de l'essence, ne pas faire de réserves pour plus de 30 jours. L'usage d'essence sans plomb réduit la

formation de dépôts dans la chambre de combustion et augmente la durée de vie des bougies. L'usage d'essence super n'est pas nécessaire ni conseillé.

1. **HUILE HOMOLOGUEE** - Pour des raisons de simplicité et pour optimiser les performances du moteur, mélangez le contenu d'un flacon de 5,2 onces (15 cl) d'huile Toro 50:1 deux temps à deux gallons (7,5 l) d'essence ordinaire sans plomb fraîche. Il est également possible d'utiliser de l'huile deux temps Toro "Easy Mix" (à raison d'un flacon de 3,2 onces (9,4 cl) pour 1 gallon (3,8 l) d'essence, soit une proportion de 40:1) dans ce moteur Toro 2 temps. On pourra utiliser de l'essence ordinaire au plomb si du carburant sans plomb n'est pas disponible.

L'huile deux temps Toro est formulée spécialement pour fournir une meilleure lubrification, faciliter les démarrages et prolonger la vie utile du moteur. Si elle n'est pas disponible, mélangez à 2 gallons d'essence (7,5 l) à 5,2 onces (15 cl) d'une autre huile deux temps de haute qualité dont l'étiquette comporte l'homologation NMMA ou BIA-TCW.

**N'UTILISEZ JAMAIS D'HUILE DEUX TEMPS AUTOMOBILE** (telle que SAE 30, 10W-30, etc.) **NON HOMOLOGUEE NMMA/BIA-TCW ET RESPECTEZ TOUJOURS LES PROPORTIONS DE MELANGE POUR NE PAS RISQUER D'ENDOMMAGER LE MOTEUR QUI NE SERAIT ALORS PLUS COUVERT PAR LA GARANTIE TORO.**

2. **Mélange de l'essence et de l'huile** - Versez 1/2 GALLON (1,9 l) d'essence dans un récipient homologué et ajouter la quantité appropriée d'huile deux temps. Bouchez le récipient et agitez-le pour bien mélanger l'huile et l'essence. Retirez le bouchon et ajoutez le restant d'essence.

Toro recommande également l'usage régulier du stabilisateur/conditionneur Toro dans toutes ses machines à moteur à essence pendant les périodes d'utilisation et de remisage. Ce produit nettoie le moteur pendant le fonctionnement et

empêche la formation de dépôts de vernis gommeux dans le moteur pendant la période de remisage.

**Important: N'UTILISEZ JAMAIS DE METHANOL, D'ESSENCE CONTENANT DU METHANOL, DE CARBUROL CONTENANT PLUS DE 10% D'ETHANOL, DE SUPERCARBURANT NI D'ESSENCE BLANCHE POUR NE PAS RISQUER D'ENDOMMAGER LE SYSTEME D'ALIMENTATION EN CARBURANT DU MOTEUR.**

**N'UTILISEZ PAS D'ADDITIFS AUTRES QUE CEUX FABRIQUES POUR STABILISER LE CARBURANT PENDANT LE REMISAGE, TELS QUE LE STABILISATEUR/CONDITIONNEUR TORO OU UN PRODUIT ANALOGUE. CE PRODUIT EST A BASE DE DISTILLAT DE PETROLE. TORO DECONSEILLE L'USAGE DE STABILISATEURS A BASE D'ALCOOL TELS QUE L'ETHANOL, LE METHANOL OU L'ALCOOL ISOPROPYLIQUE. LES ADDITIFS NE DOIVENT PAS ETRES EMPLOYES POUR TENTER D'AMELIORER LA PUISSANCE OU LES PERFORMANCES DE LA MACHINE.**

**Remarque:** ne mélangez pas l'essence et l'huile dans le réservoir de carburant de la machine. L'huile se mélange mieux lorsqu'elle est à la température ambiante que lorsqu'elle est froide.

#### **50:1 TABLEAU DE MELANGE ESSENCE/L'HUILE à 50:1**

<b>GALLONS U.S. LITRES</b>	
<b>Essence</b>	<b>Huile</b>
1 gallon (3,785 l)	2,6 oz. (7,7 cl)
1,5 gallon (5,67 l)	3,9 oz. (11,5 cl)
2 gallons (7,57 l)	5,2 oz. (15,3 cl)

# Fonctionnement

## Mise en marche/arret du moteur (Fig. 5)

1. COMMANDES - La serrure de contact, l'amorceur, le bouton du démarreur électrique\* et le démarreur-lanceur se trouvent sur la panneau de commande. La manette de starter se trouve juste au-dessous du coin inférieur gauche du panneau de commande.
2. Mettez le contact (clé en position ON) et placez la manette de starter sur ON (complètement à droite).
3. Obstruez le trou central de l'amorceur avec le pouce et appuyez légèrement deux fois (1 ou 2 seconde à chaque fois) lorsque la température dépasse  $-18^{\circ}\text{C}$ . Appuyez trois fois si la température est inférieure à  $-18^{\circ}\text{C}$ .  
**N'APPUYEZ PAS SUR L'AMORCEUR SI LE MOTEUR A TOURNE RECEMMENT ET S'IL EST ENCORE CHAUD.**

**Remarque:** lors du premier démarrage du moteur, ou à la suite d'une panne sèche, il se peut qu'il soit nécessaire d'appuyer sur l'amorceur plusieurs fois supplémentaires pour faire démarrer le moteur.

### 4. DEMARRAGE

- A. DEMARRAGE PAR LANCEUR - maintenez la déneigeuse d'une main et tirez vigoureusement de l'autre sur le cordon du lanceur. Si le moteur ne démarre pas au bout de trois tentatives, appuyez une fois de plus sur l'amorceur et tirez de nouveau vigoureusement sur le cordon du lanceur.

- B. DEMARRAGE ELECTRIQUE - branchez le prolongateur sur la déneigeuse et dans une prise secteur standard. Appuyez sur le bouton du démarreur. Lorsque le moteur démarre, débranchez le prolongateur de la déneigeuse et de la prise secteur.

**Important: une sollicitation excessive du démarreur électrique risque de provoquer une surchauffe et, par conséquent, de l'endommager. En cas de difficultés à faire démarrer le moteur, PROCEDEZ COMME SUIV (NE TENTEZ CETTE PROCEDURE QUE DEUX FOIS): actionnez le démarreur électrique pendant 5 secondes, puis laissez-le reposer pendant 5 autres secondes (ne répétez pas cette opération plus de 10 fois). Si le moteur ne démarre pas après de cette première tentative, attendez au moins 40 minutes pour permettre au démarreur de refroidir avant de faire une nouvelle tentative. Avant de répéter la procédure, assurez-vous que la clé de contact est en position ON et que le réservoir contient du carburant frais. Si le moteur ne démarre pas à la seconde tentative, faites vérifier la déneigeuse par un concessionnaire-réparateur Toro agréé.**

5. Lorsque le moteur démarre, placez la manette de starter en position intermédiaire au bout de quelques secondes. Une fois que le moteur est chaud, ramenez la manette en position OFF (complètement à gauche).
6. ARRET DU MOTEUR - Coupez le contact (clé en position OFF) et attendez l'arrêt complet de toutes les pièces mobiles avant de quitter la position de pilotage.

## Conseils d'utilisation (Fig. 6)

### ATTENTION

#### DANGER POTENTIEL

- Le rotor d'éjection tourne lorsque le moteur est en marche.

#### QUELS SONT LES RISQUES?

- Les objets projetés par l'éjecteur peuvent occasionner des blessures.

#### COMMENT SE PROTÉGER?

- Veillez à ce que personne ne se tienne à proximité de l'ouverture d'éjection lorsque le moteur tourne.
- Avant d'abandonner les commandes, arrêtez le moteur en coupant le contact (clé en position OFF).

1. **REGLAGE DE L'EJECTEUR** - pour orienter 6 l'éjection de la neige latéralement, déplacez la poignée de l'éjecteur sur la gauche ou sur la droite. Pour régler la hauteur de la projection de neige, déplacez la poignée du déflecteur qui se trouve sur le dessus de l'éjecteur vers l'avant et l'arrière. Ne serrez pas excessivement les boulons de montage du déflecteur, afin que ce dernier puisse être manoeuvré sans difficulté
2. **AUTOPROPULSION** - La déneigeuse déblaie jusqu'au niveau du sol et se propulse d'elle-même vers l'avant lorsqu'on l'incline légèrement de façon à ce que les lames du rotor frappent le sol. Il n'est pas nécessaire que les roues touchent le sol pour que la machine soit auto-propulsée. Plus le mancheron est poussé vers l'avant, plus la déneigeuse avance rapidement. Cependant, l'épaisseur de la neige affecte la vitesse d'avancement. Toujours faire se chevaucher chaque passe et projeter si possible la neige dans la direction du vent.

**Remarque:** Si la déneigeuse est trop inclinée en avant, elle se propulsera à plus grande vitesse et la neige sera

rabattue aux pieds de l'utilisateur. Réduisez votre traction sur le mancheron pour ralentir la vitesse d'avancement.

3. Débarrassez la zone à déneiger de tous cailloux, jouets ou autres objets risquant d'être ramassés et projetés par les lames du rotor. Ces objets peuvent être recouverts de neige et donc passer inaperçus jusqu'à ce qu'ils soient heurtés par les lames du rotor. Tenez toujours les enfants et les animaux à l'écart de la zone à déneiger pour éviter qu'ils ne soient blessés par des objets projetés.
4. **SUR LES MARCHES OU DANS LES CONGERES** - Il est recommandé à l'utilisateur de se tenir du côté **droit** de la déneigeuse et de tenir cette dernière par l'élément supérieur du mancheron et la poignée de l'éjecteur (il risque d'être exposé aux gaz d'échappement s'il se tient à gauche). Déneigez en imprimant un mouvement de va-et-vient latéral.
5. Nous déconseillons l'usage de la déneigeuse sur les revêtements de graviers ou de pierres concassées. Si, néanmoins vous trouvez nécessaire de déneiger de telles surfaces, exercez une pression verticale sur le mancheron pour soulever les lames du rotor au-dessus des matériaux risquant d'être projetés et poussez la machine en avant.
6. Dans certaines conditions d'enneigement et par temps froid, il se peut que certaines commandes ou pièces soient bloquées par le gel. **NE FORCEZ PAS EXCESSIVEMENT POUR TENTER DE DEBLOQUER DES COMMANDES GELEES.** Lorsque toute commande ou pièce devient difficile à actionner, faites démarrer le moteur et laissez-le se réchauffer pendant quelques minutes. Si la commande ou pièce ne se déplace pas avec un effort modéré, arrêtez le moteur, éliminez la glace ou dégivrez la déneigeuse.

## ATTENTION

### DANGER POTENTIEL

- L'essence et ses vapeurs sont très inflammables, explosives, et dangereuses à respirer.

### QUELS SONT LES RISQUES?

- Risques d'intoxication et de brûlures graves si l'on respire les vapeurs ou si elles s'enflamment.

### COMMENT SE PROTÉGER?

- Ne jamais réchauffer la déneigeuse avec de l'essence dans le réservoir à l'intérieur d'un bâtiment en présence d'une flamme nue ou d'étincelles.
- Ne jamais entreposer la déneigeuse dans une partie habitée de la maison, à la cave ou dans tout endroit en présence d'une flamme nue.

7. APRES AVOIR DENEIGE - Laissez le moteur tourner pendant quelques minutes pour que la glace ne bloque pas les pièces mobiles. Une fois le moteur arrêté, débarrassez l'ensemble de la machine de toute trace de glace et de neige.

**Important:** REMISEZ LA DENEIGEUSE LA LAISSANT REPOSER SUR SES ROUES EN POSITION DE FONCTIONNEMENT OU SUSPENDEZ-LA A UN MUR PAR LE MANCHERON. SI LA MACHINE EST REMISEE EN POSITION BASCULEE VERS L'AVANT OU SI ELLE REPOSE SUR LE CARTER AVANT, LE DEMARRAGE RISQUE D'ETRE DIFFICILE.

## Repliage de la déneigeuse (Fig. 7)

La déneigeuse CCR POWERLITE® est très compacte une fois repliée, ce qui facilite son transport ou remisage. Pour la replier:

## ATTENTION

### DANGER POTENTIEL

- L'essence et ses vapeurs sont très inflammables, explosives, et dangereuses à respirer.

### QUELS SONT LES RISQUES?

- Risques d'intoxication et de brûlures graves si l'on respire les vapeurs ou si elles s'enflamment.

### COMMENT SE PROTÉGER?

- Toujours vider l'essence du réservoir de la déneigeuse avant de la transporter dans un véhicule ou coffre de voiture fermé, voir Vidange de l'essence, p. 14.

1. Retirez le bouton de l'arrière de l'éjecteur.
2. Replier l'éjecteur vers le bas. Replacez le bouton sur le boulon à l'arrière de la poignée de l'éjecteur et serrez-le fermement pour ne pas risquer de la perdre.
3. Desserrez les boutons du mancheron et repliez celui-ci vers le bas.
4. Transportez la machine en la tenant par la poignée de l'éjecteur.
5. Veillez à serrer **FERMEMENT** tous les boutons après avoir déplié le mancheron et l'éjecteur.

## Entretien

### General

Maintenez la déneigeuse en état de propreté constante afin d'en assurer la sécurité de fonctionnement. Vérifiez le serrage des boulons, écrous, boutons et vis

les resserrer suivant les besoins. La lame racleuse, la courroie d'entraînement, les lames du rotor et la bougie doivent être vérifiés une fois par an.

## Vidange de l'essence

1. Arrêtez le moteur. Retirez la clé du contact.
2. Retirez le bouchon du réservoir de carburant et vidangez dans un récipient propre homologué à l'aide d'un siphon du type pompe.
3. Une fois le carburant vidangé, démarrez le moteur et laissez-le tourner jusqu'à ce que tout le carburant soit brûlé et que le moteur s'arrête. Recommencez à deux reprises pour vous assurer qu'il ne reste plus d'essence dans le moteur.

**Remarque:** cette méthode est la seule recommandée pour vidanger le carburant, car elle permet une vidange complète du réservoir.

## Remplacement des lames du rotor (Fig. 8–9)

Avant chaque saison des neiges, examinez le degré d'usure des lames du rotor. Lorsque le bord des lames est usé jusqu'au trou indicateur d'usure (Fig. 8), celles-ci doivent être remplacées pour garantir un rendement optimum et ne pas endommager le dessous de la déneigeuse. Remplacez toujours les lames par paire.

**Remarque:** chaque fois que les lames du rotor sont remplacées, il convient également de remplacer la lame racleuse pour garantir un fonctionnement et un rendement optimaux de la déneigeuse.

1. Arrêtez le moteur. Retirez la clé de contact. Débranchez le câble de la bougie.
2. DEPOSE D'UNE LAME (Fig. 9) - Retirez les quatre (4) vis torx (Embout No. T27), les deux (2) vis borgnes et les six (6) écrous de blocage fixant la lame à l'arbre du rotor.

3. Faites glisser la lame hors de son support (Fig. 9).
4. MISE EN PLACE D'UNE LAME NEUVE - Les lames du rotor sont en caoutchouc stratifié.

Examinez le bord d'une lame pour voir la différence d'épaisseur des couches (Fig. 9).

Les deux lames doivent être installées la couche la plus épaisse à l'intérieur de la partie courbe et les trous indicateurs d'usure doivent se trouver du côté de la garde de la courroie d'entraînement (Fig. 9). Si la couche la plus épaisse se trouve à l'extérieur de la partie courbe d'une lame et à l'extérieur de la partie courbe de l'autre, les lames seront déséquilibrées, ce qui provoquera un "sautillement" ou "rebondissement" de la déneigeuse.

5. Insérez la lame neuve entre ses supports. Fixez le centre de la lame aux supports au moyen de 2 vis borgnes et écrous de blocage. Positionner les têtes des vis du côté de la lame dont la couche est la plus épaisse. Courbez la lame et fixez-la au moyen des 4 vis torx et écrous restants (positionner les têtes des vis du côté de la lame où la couche est la plus épaisse). Serrez fermement toutes les vis et tous les écrous.
6. Répétez les étapes 1-4 pour remplacer l'autre lame.

## Remplacement de la lame racleuse (Fig. 10–11)

Avant chaque saison des neiges, examinez le degré d'usure de la lame racleuse. Lorsque la rainure indicatrice d'usure est effacée (Fig. 10), remplacez la lame racleuse pour ne pas risquer d'endommager le dessous de la déneigeuse.

1. Arrêtez le moteur. Retirez la clé de contact. Débranchez le câble de la bougie.
2. Basculez la déneigeuse vers l'avant pour la faire reposer sur le carter avant.
3. Retirez les 3 vis de fixation de la lame racleuse (Fig. 11). Déposez la lame racleuse.

4. Fixez la nouvelle lame racleuse au carter au moyen des 3 vis.

## Remplacement de la courroie d'entraînement (Fig. 12–14)

Après une utilisation prolongée, il se peut que la courroie d'entraînement s'use et doive être remplacée. Si elle patine continuellement en cas de charge importante ou si le rotor ne tourne pas, vérifiez la courroie pour voir si elle est très usée.

1. Arrêtez le moteur. Retirez la clé de contact. Débranchez le câble de la bougie.
2. Retirez les 3 vis autotaraudeuses, la vis borgne, la rondelle et l'écrou fixant la garde de la courroie gauche à la déneigeuse (Fig. 12). Déposez le protège courroie.
3. DEPOSE DE LA COURROIE (Fig. 13) - Tirez le galet tendeur légèrement vers le haut tout en tirant la courroie vers l'extérieur. Relâchez le galet tendeur progressivement lorsqu'il peut se libérer de la courroie. Faites tourner le rotor de la main gauche et dégager la courroie de la poulie du rotor de l'autre main. La courroie glisse alors facilement hors de la poulie d'entraînement.
4. POSE DE LA COURROIE (Fig. 14) - Engagez la courroie sur de la poulie d'entraînement. Tout en la tenant de la main droite, faites-la glisser sur la poulie du rotor et faites tourner ce dernier de la main gauche jusqu'à ce que la courroie soit bien en place sur la poulie. Veillez à ce que l'extrémité la plus longue du ressort de la poulie mobile soit accrochée à l'encoche du carter et à ce que l'extrémité ronde soit accrochée à l'axe qui se trouve au dos du galet tendeur. Soulevez le bras du galet tendeur, rapprochez les deux côtés de la courroie et faites passer celle-ci sous le galet tendeur.
5. Remplacez la garde de courroie gauche. Serrez la boulonnerie, mais SANS EXCES.

## Remplacement de la bougie (Fig. 15–17)

Vérifiez la bougie avant chaque saison des neiges. Si les électrodes qui se trouvent en son centre sont noircies ou détériorées, remplacez-la par une bougie Champion CJ8Y ou un modèle équivalent et réglez l'écartement des électrodes à 0,030 pouces (0,76 mm).

1. DEPOSE DU PANNEAU DE COMMANDE (Fig. 15) - Retirez les 2 vis fixant le panneau de commande au carter. Retirez la clé de contact et soulevez le panneau de commande, et laissez-le pendre sur le cordon du démarreur-lanceur.
2. DEPOSE DE LA BOUGIE (Fig. 16) - Débranchez le câble de la bougie et retirez-la. Examiner la bougie et remplacez-la si elle est fêlée, encrassée ou sale. **NE DECAPEZ, GRATTEZ NI NETTOYEZ LA BOUGIE, CAR LA SALETE PEUT SE DECOLLER ET TOMBER DANS LE CYLINDRE, CE QUI RISQUE D'ENDOMMAGER LE MOTEUR.**
3. REPOSE DE LA BOUGIE - Réglez l'écartement des électrodes (Fig. 17) à 0,031 pouces (0,76 mm). Mettez la bougie en place et serrez-la à 15 pieds-livres (20,4 N-m). Si vous n'utilisez pas une clé dynamo-métrique, serrez fermement la bougie à la main avec une clé à bougie, **SANS TROP SERRER**. Branchez le câble à la bougie et remettez le panneau de commande en place.

## Reglage du carburateur

Le carburateur a été réglé en usine et ne nécessite aucun réglage. Cependant si la déneigeuse est utilisée à des altitudes de 5000 pieds (1524 mètres) ou plus, il se peut que le gicleur du carburateur doive être changé. Contactez le concessionnaire-réparateur Toro agréé local.

---

## Remisage de la deneigeuse

### 1. PREPARATION DU SYSTEME D'ALIMENTATION

- Ajouter dans le réservoir de carburant une once de stabilisateur/conditionneur Toro par gallon de carburant (8 ml par l).
- Faire tourner le moteur cinq minutes pour bien répartir le carburant traité dans tout le système d'alimentation.
- Arrêter le moteur, le laisser refroidir et vider le réservoir de carburant, ou laisser tourner le moteur jusqu'à ce qu'il s'arrête faute de carburant.
- Redémarrer le moteur et le laisser tourner jusqu'à ce qu'il s'arrête faute de carburant.
- Utiliser le starter ou l'amorceur, redémarrer le moteur une troisième fois et le laisser tourner jusqu'à ce qu'il ne redémarre plus.
- Se débarrasser du carburant correctement, selon les réglementations locales en matière de recyclage.

- **NE PAS conserver l'essence STABILISEE pendant plus de 90 jours.**
- 2. **ENTRETIEN DU CYLINDRE/PISTON** - Tirez doucement sur le cordon du démarreur-lanceur jusqu'à ce qu'une résistance due à la compression de fasse sentir. Relâcher doucement la tension du cordon pour empêcher un renversement de la course du piston dû à la compression. Cette position ferme les lumières d'admission et d'échappement, ce qui empêche la corrosion de l'alésage du cylindre.
- 3. **SERRAGE DE LA BOULONNERIE ET NETTOYAGE** - Serrer les vis, écrous, boulons et boutons suivant les besoins. Réparez ou remplacez les pièces endommagées. Nettoyez soigneusement la machine.
- 4. **REMISAGE DE LA DENEIGEUSE** - Couvrez la déneigeuse d'une bâche et remisez-la dans un endroit propre et sec auquel ne peuvent accéder les enfants. Ne la remisez en aucun cas dans la maison ou le sous-soi où des sources d'inflammation telles que chauffe-eau, radiateurs soufflants, séchoirs à linge et autres appareils du même type peuvent se trouver. Laissez le moteur refroidir avant de remiser la machine dans un local quelconque.