



Electric Trimmers

25 cm, 30 cm and 35 cm Cutting Widths

Model No. 51249, 51349, 51449—69000001 & Up

Taille-bordures électriques

Largeur de coupe 25, 30 et 35 cm

Modèle No. 51249, 51349, 51449—69000001 et suivants

Recortadoras electricas

Anchos de corte de 25, 30 y 35 cm

Modelos N. 51249, 51349, 51449—69000001 y siguientes

Elektro-Trimmer

Schnittbreite 25 cm, 30 cm und 35 cm

Modell Nr. 51249, 51349, 51449—69000001 & aufwärts

Tagliabordi elettrici

Larghezze di taglio di 25 cm, 30 cm e 35 cm

No. di modello 51249, 51349, 51449—69000001 & successivi

Elektrische trimmers

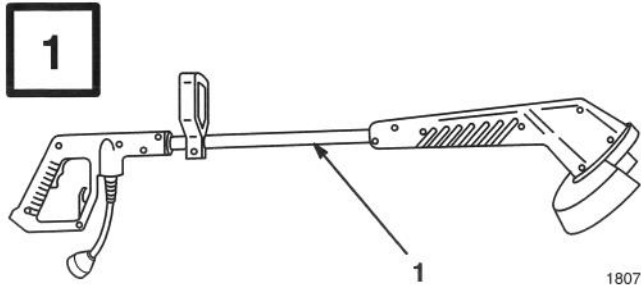
Maaibreedte 25, 30 en 35 cm

Model nr. 51249, 51349, 51449—69000001 en hoger

**Operator's Manual
Manuel de l'Utilisateur
Manual del Operador**

**Gebrauchsanleitung
Istruzioni per l'Uso
Bedieningshandleiding**

Figures — Figuras — Abbildungen — Figure — Figuren



English

1. Model and serial number decal

Français

1. Décalcomanie de numéros de modèle et de série

Español

1. Calcomanía con los números de modelo y serie

Deutsch

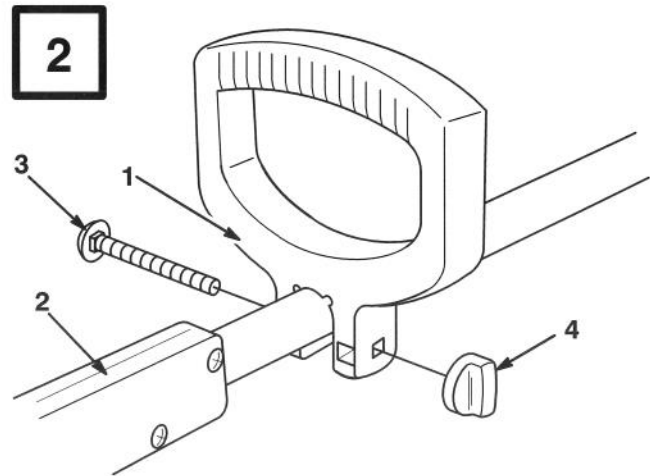
1. Modell- und Seriennummernschild

Italiano

1. Decalcomania con il numero di modello e di serie

Nederlands

1. Plaatje met model- en serienummer



English

- | | |
|----------------------------------|------------------|
| 1. Smooth side of support handle | 3. Carriage bolt |
| 2. Upper handle | 4. Knob |

Français

- | | |
|--|-------------------------|
| 1. Côté lisse de la poignée de soutien | 3. Boulon de carrossier |
| 2. Poignée supérieure | 4. Bouton |

Español

- | | |
|--------------------------------------|-------------------------|
| 1. Lado liso de la manija de soporte | 3. Tornillo de carruaje |
| 2. Manija superior | 4. Perilla |

Deutsch

- | | |
|---------------------------------|-------------------|
| 1. Glatte Seite des Haltegriffs | 3. Rahmenschraube |
| 2. Oberer Griff | 4. Knopf |

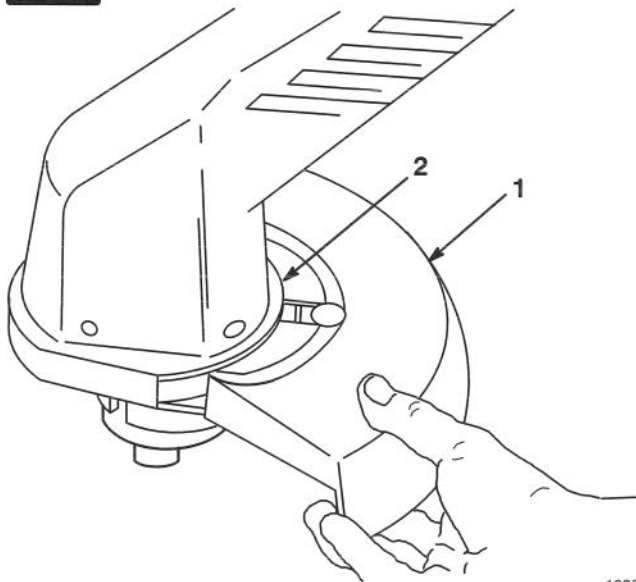
Italiano

- | | |
|---|--------------------------|
| 1. Lato liscio dell'impugnatura di supporto | 2. Impugnatura superiore |
| | 3. Vite del telaio |
| | 4. Manopola |

Nederlands

- | | |
|----------------------------------|---------------------|
| 1. Gladde kant van de steungreep | 3. Bevestigingsbout |
| 2. Bovenste handgreep | 4. Knop |

3



1099

English

- 1. Grass shield
- 2. Long, curved slot in motor housing

Français

- 1. Pare-herbe
- 2. Longue fente courbée du carter moteur

Español

- 1. Guardahierbas
- 2. Muesca larga curvada de la caja del motor

Deutsch

- 1. Grasschild
- 2. Langer, gebogener Schlitz im Motorgehäuse

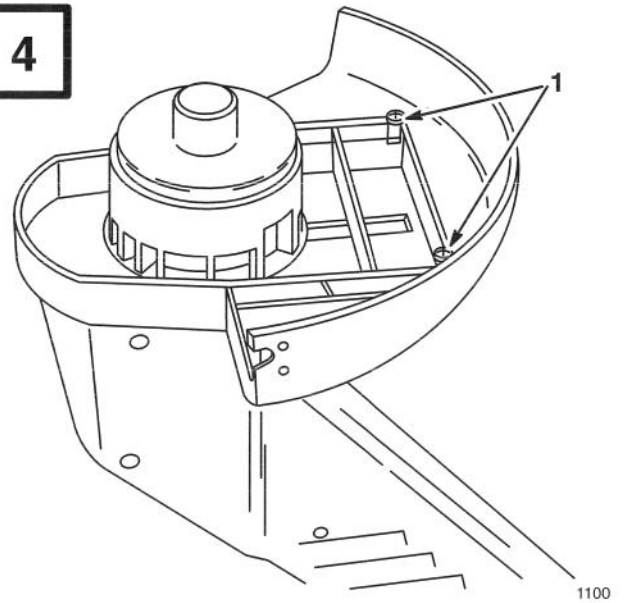
Italiano

- 1. Paraerba
- 2. Fessura lunga e curva nel corpo del motore

Nederlands

- 1. Grasscherm
- 2. Lange ronde sleuf in motorhuis

4



1100

English

- 1. Self-tapping screw (2)

Français

- 1. Vis autotaraudeuse (2)

Español

- 1. Tornillo autoenroscante (2)

Deutsch

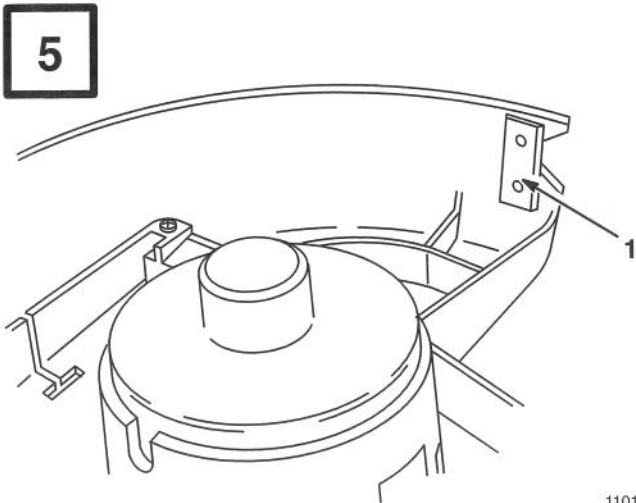
- 1. Schneidschraube (2)

Italiano

- 1. Vite automaschiante (2)

Nederlands

- 1. Zelftappende schroeven (2)



1101

English

1. Cutting knife

Français

1. Lame de coupe

Español

1. Cuchilla cortadora

Deutsch

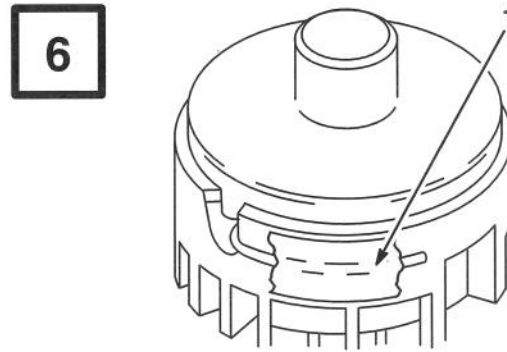
1. Schnittmesser

Italiano

1. Coltello di taglio

Nederlands

1. Mes



1102

English

1. Line taped to cutter head

Français

1. Fil collé sur la tête de coupe

Español

1. Línea pegada al cabezal cortador

Deutsch

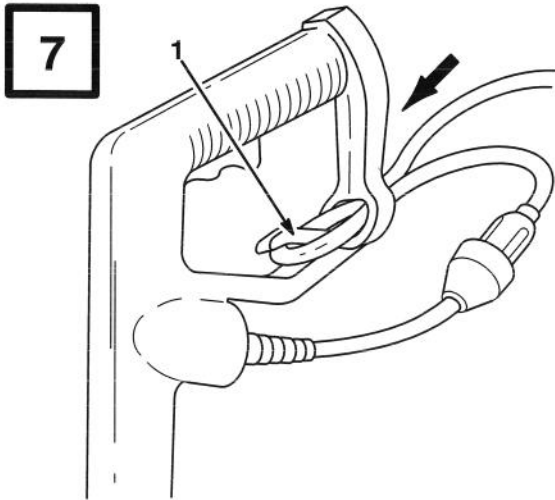
1. Leine an Schnittkopf geklebt

Italiano

1. Filo fissato con nastro adesivo alla testina di taglio

Nederlands

1. Snijdraad vastgeplakt op snijkop



English

1. Cord lock

Français

1. Blocage du cordon

Español

1. Traba del cable

Deutsch

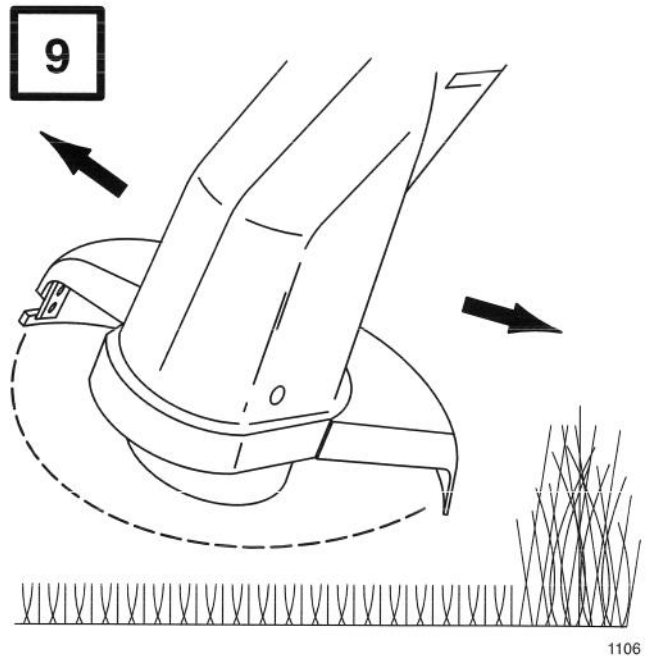
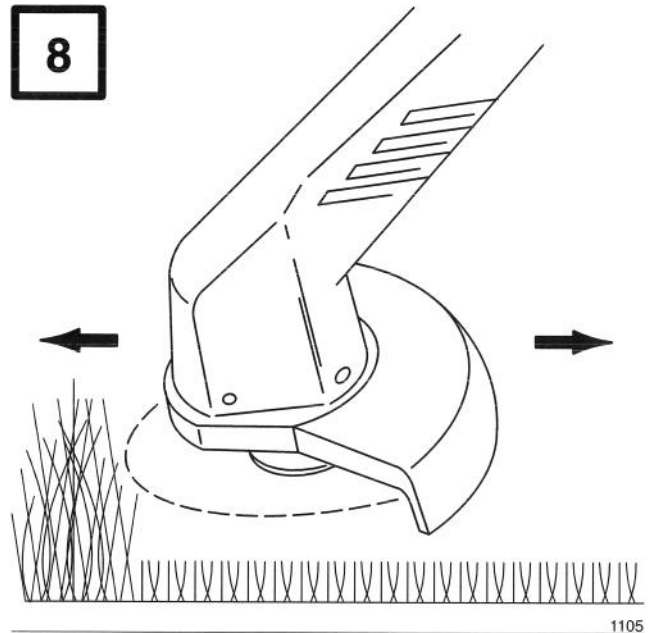
1. Schnursperre

Italiano

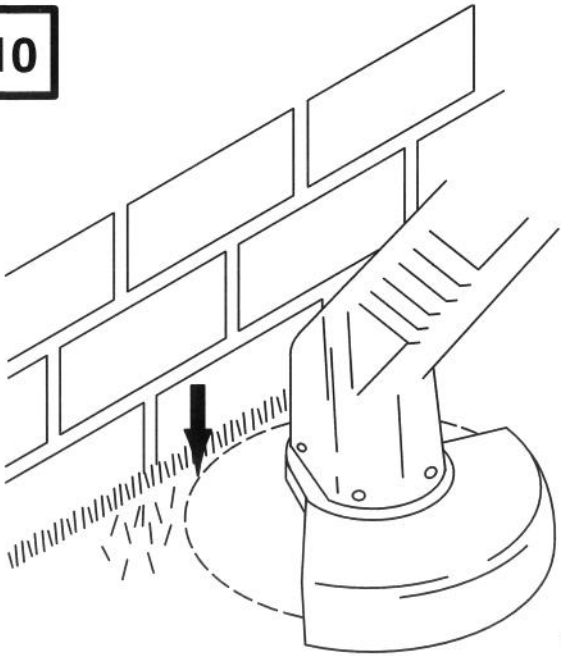
1. Fermacavo

Nederlands

1. Snoer vastzetten

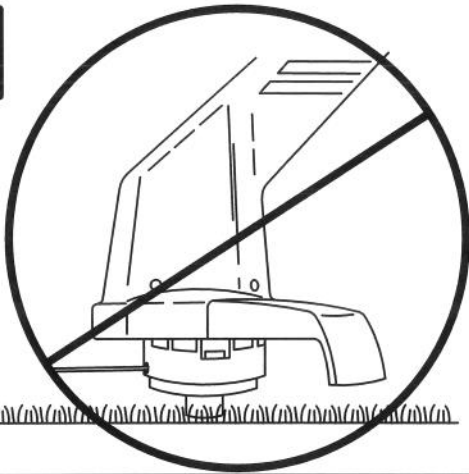


10



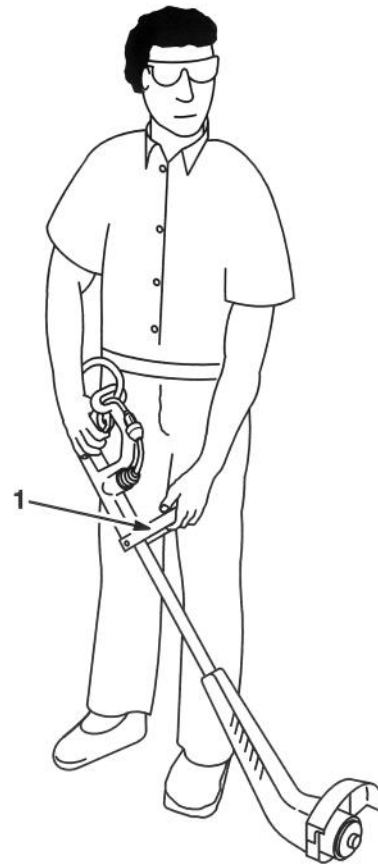
1107

11



1108

12



1809

English

1. Support handle rotated 180°

Français

1. Support de la poignée tournée à 180°

Español

1. Manija de soporte girada 180°

Deutsch

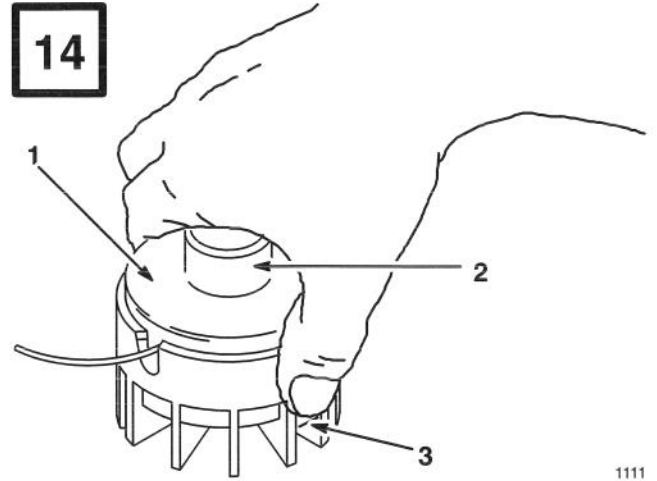
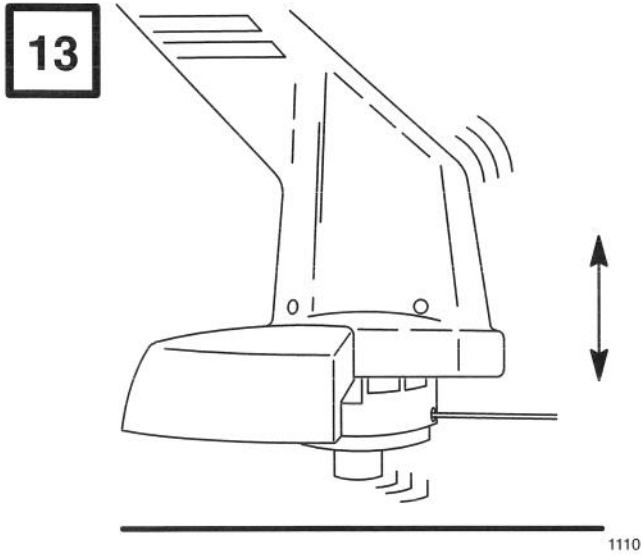
1. Haltegriff um 180° gedreht

Italiano

1. Impugnatura di supporto ruotata di 180°

Nederlands

1. Steungreep 180° gedraaid



English

- 1. Cap
- 2. Spool

- 3. Tabs on cap

Français

- 1. Capuchon
- 2. Bobine

- 3. Ergots sur le capuchon

Español

- 1. Tapa
- 2. Bobina

- 3. Lengüetas de la tapa

Deutsch

- 1. Kappe
- 2. Spule

- 3. Kappenansätze

Italiano

- 1. Cuffia di protezione
- 2. Bobina

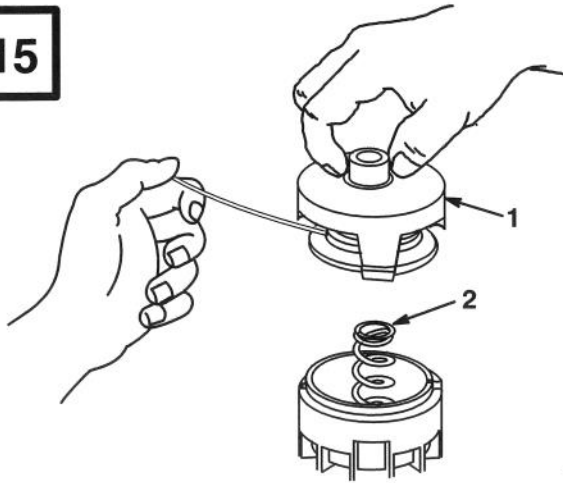
- 3. Linguette sulla cuffia di protezione

Nederlands

- 1. Kap
- 2. Spoel

- 3. Lippen aan de kap

15



1119

English

- 1. Cap & spool
- 2. Spring

Français

- 1. Capuchon et bobine
- 2. Ressort

Español

- 1. Tapa y bobina
- 2. Resorte

Deutsch

- 1. Kappe & Spule
- 2. Feder

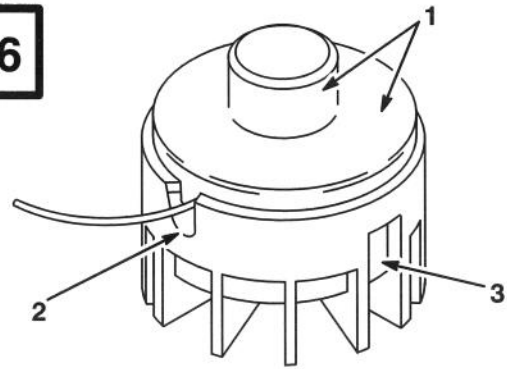
Italiano

- 1. Cuffia di protezione & bobina
- 2. Molla

Nederlands

- 1. Kap en spoel
- 2. Veer

16



1117

English

- 1. Cap & spool
- 2. Metal eyelet
- 3. Tabs on cap

Français

- 1. Capuchon et bobine
- 2. Oeillet de métal
- 3. Ergots sur le capuchon

Español

- 1. Tapa y bobina
- 2. Ojal metálico
- 3. Lengüetas de la tapa

Deutsch

- 1. Kappe & Spule
- 2. Metallöse
- 3. Kappenansätze

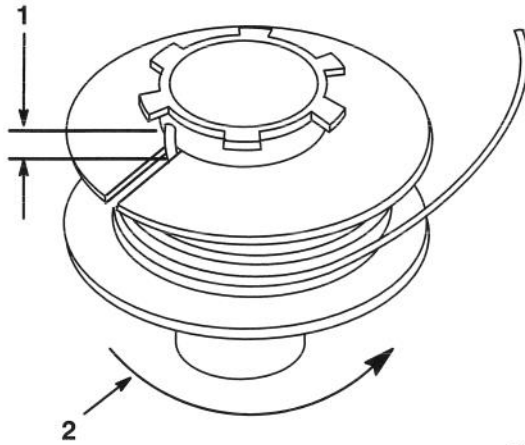
Italiano

- 1. Cuffia di protezione & bobina
- 2. Occhiello metallico
- 3. Linguette sulla cuffia di protezione

Nederlands

- 1. Kap en spoel
- 2. Opening
- 3. Lippen aan de kap

17



1113

English

1. 1/8 inch maximum

2. Wind line

Français

1. 3 mm maximum

2. Embobiner le fil

Español

1. Máximo de 3 mm

2. Enrosque la línea

Deutsch

1. 1/8 Inch maximal

2. Leine aufspulen

Italiano

1. Massimo 1/8 di pollice

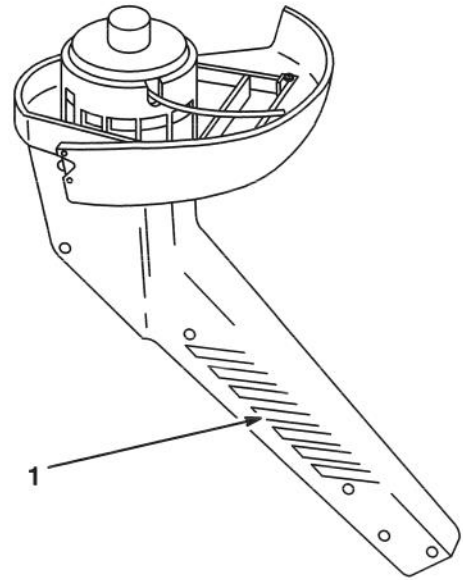
2. Avvolgere il filo

Nederlands

1. Maximaal 3 mm

2. Draad opwickelen

18



1115

English

1. Air intake vents

Français

1. Trous d'admission d'air

Español

1. Tomas de aire

Deutsch

1. Lufteinlaßöffnungen

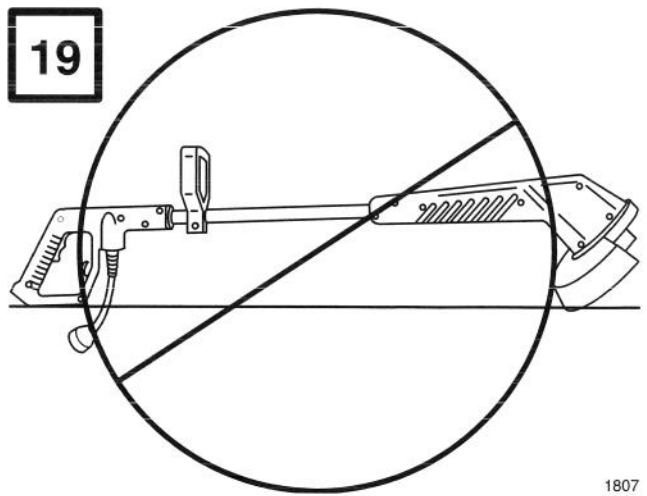
Italiano

1. Prese d'aria

Nederlands

1. Openingen voor
luchttoevoer

19



1807

Contents

	Page
Contents	1
Introduction	1
Safety	2
Symbol Glossary	4
Assembly	5
Attach Support Handle	5
Attach Grass Shield	5
Before Starting	5
Cutting Line	5
Securing Extension Cord	5
Operation	6
Lengthening Cutting Line	7
Replacing Cutting Line	8
Rewinding Empty Spools	9
Maintenance	9
Accessories	10
The Toro Promise	10

Introduction

Thank you for purchasing a Toro product.

All of us at Toro want you to be completely satisfied with your new product, so feel free to contact your local Authorized Service Dealer for help with service, genuine Toro parts, or other information you may require.

Whenever you contact your Authorized Service Dealer or the factory, always know the model and serial numbers of your product. These numbers will help the Service Dealer or Service Representative provide exact information about your specific product. You will find the model and serial number decal located in a unique place on the product (Fig. 1).

For your convenience, write the product model and serial numbers in the space below.

<p>Model No. _____</p> <p>Serial No. _____</p>
--

Read this manual carefully to learn how to operate and maintain your product correctly. Reading this manual will help you and others avoid personal injury and damage to the product. Although Toro designs, produces and markets safe, state-of-the-art products, you are responsible for using the product properly and safely. You are also responsible for training persons who you allow to use the product about safe operation.

The Toro warning system in this manual identifies potential hazards and has special safety messages that help you and others avoid personal injury, even death. DANGER, WARNING and CAUTION are signal words used to identify the level of hazard. However, regardless of the hazard, be extremely careful.

DANGER signals an extreme hazard that will cause serious injury or death if the recommended precautions are not followed.


WARNING signals a hazard that may cause serious injury or death if the recommended precautions are not followed.

CAUTION signals a hazard that may cause minor or moderate injury if the recommended precautions are not followed.

Two other words are also used to highlight information. "Important" calls attention to special mechanical information and "Note" emphasizes general information worthy of special attention.

Safety

IMPORTANT SAFETY INSTRUCTIONS

To assure maximum safety, best performance, and to gain knowledge of the appliance, it is essential that you or any other operator of the appliance read and understand the contents of this manual before operating the appliance. Pay particular attention to the safety alert symbol  which means **CAUTION, WARNING OR DANGER** — “personal safety instruction.” Read and understand the instruction because it has to do with safety. **FAILURE TO COMPLY WITH INSTRUCTION MAY RESULT IN PERSONAL INJURY, RISK OF FIRE OR ELECTRICAL SHOCK.**

READ ALL INSTRUCTIONS BEFORE USING THIS APPLIANCE

SAVE THESE INSTRUCTIONS FOR FUTURE REFERENCE!

WARNING—To reduce the risk of fire, electric shock or injury, follow these safety instructions.

1. Read and understand the contents of this manual before operating the trimmer. Become familiar with all controls and know how to stop it quickly.
2. Keep everyone, especially children and pets, away from area of operation. Never allow children to operate the appliance. It is not a toy. Never allow adults to operate unit without first reading the Operator’s Manual.
3. Always wear safety goggles or other suitable eye protection when trimmer is used for trimming or decorative edging.
4. Never operate the appliance in wet or damp conditions. **DO NOT USE IN THE RAIN.**
5. Inspect area thoroughly where trimmer will be used. Pick up any debris or objects that could be entangled in trimmer or picked up by trimmer and thrown. Keep area of operation clear of all persons, particularly small children and pets.
6. Dress properly. Do not wear loose clothing or jewelry. They can catch in moving parts. Pin up long hair so that it cannot be drawn into unit’s air inlet. Always wear substantial footwear and long pants.
7. Use the right appliance—Do not use the appliance for any job except that for which it was intended such as cutting grass and small weeds.
8. To reduce the risk of electric shock, use only an extension cord recommended for outdoor use. Replace a damaged extension cord immediately.
9. Extension cord—To prevent disconnection of the trimmer from the extension cord during operation, properly connect extension cord prior to operating.
10. Avoid unintentional starting. Be sure switch is off when plugging in. Do not carry plugged-in trimmer with finger on switch.
11. Turn off all controls before unplugging cord.
12. Do not handle plug or appliance with wet hands or while standing in water.
13. Do not use appliance with a damaged cord or plug. If appliance is not working as it should, has been dropped, damaged, left outdoors, or dropped into water, return it to an Authorized Toro Service Dealer.
14. Don’t abuse cord. Do not pull or carry appliance by cord, close a door on cord or pull cord around sharp edges or corners. Do not use cord as a handle. Do not unplug appliance by pulling cord. To unplug, grasp the plug, not the cord.
15. Keep cord away from extreme heat, oil, and sharp edges. Replace damaged cords.
16. Do not force the trimmer. It operates better and safer at the rate for which it was designed.

17. Use only in daylight or with good artificial light. Always be sure of your footing. Keep a firm hold on the handle and walk, never run.
18. Stop the motor and unplug the supply cord whenever you leave the appliance, before cleaning the housing, and when making any repairs or inspections.
19. When not in use, store your trimmer in a dry place; high or locked up out of the reach of children.
20. Keep all fasteners tight to be sure the appliance is in safe working condition.
21. Make sure spool and cap are properly secured before operation.
22. Never operate without factory installed guards or other protective safety devices in place.
23. Do not put hands or feet near or under rotating parts. Keep clear at all times.
24. If the appliance should start to vibrate abnormally, stop the motor, unplug the cord and check immediately for the cause. Vibration is generally a warning of trouble.
25. Do not operate your appliance after it has been dropped or damaged. Return it to your nearest Authorized Toro Service Dealer for inspection or repair.
26. When servicing use only identical TORO replacement parts. Replace or repair damaged cords.
27. Don't Overreach—Keep proper footing and balance at all times when operating the trimmer.
28. Maintain Appliance With Care—Keep cutting head and motor housing clean for best performance and to reduce the risk of injury. Follow Maintenance instructions on page 9.
29. **CAUTION**—Cutting knife on grass shield is sharp and care should be taken when cleaning and handling.
30. **EXTENSION CORD REQUIREMENTS**—Use an extension cord suitable for outdoor use and one that complies with requirements specified in your country's electric code. Make sure your cord is in good condition; if damaged, replace. Use a cord that is large enough to carry the current the trimmer will draw.

See Figure 7 for proper cord connection.

Note: Use of an extension cord over 150 feet is not recommended.

Certified to CEE 10

Sound Emissions

This unit has a maximum airborne noise emission, based on measurement of identical machines.

70 dB(A)

Vibration Level

This unit has a maximum vibration level of 2.5 m/s², based on measurement of identical machines.

Symbol Glossary

Safety alert triangle — symbol within triangle indicates a hazard



Safety alert symbol



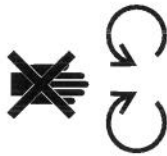
Read operator's manual



Consult technical manual for proper service procedures



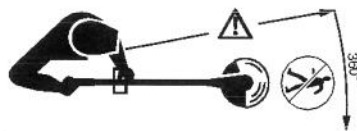
Do not open or remove safety shields while engine is running



Wear eye protection



Keep bystanders away



Thrown or flying objects — Whole body exposure



Keep dry



Electrical shock/electrocution



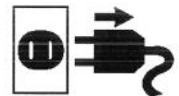
Cutting of finger or hand



Cutting of foot



Disconnect power



Assembly

Note: Trimmer should appear as shown in Figure 1 when fully assembled.

Attach Support Handle

1. Press support handle onto tube with smooth side of support handle facing toward upper handle. Loosely secure support handle to tube with carriage bolt and knob (Fig. 2).

Note: Support handle height may be adjusted by sliding handle up and down tube. When support handle is at desired operating height, tighten knob securely.

Attach Grass Shield

CAUTION

POTENTIAL HAZARD

- Cutting knife on grass shield is sharp.

WHAT CAN HAPPEN

- Contact with cutting knife could cause personal injury.

HOW TO AVOID THE HAZARD

- Be careful when handling shield. Avoid contact with knife blade.

1. Fit grass shield into long, curved slot in motor housing (Fig. 3).
2. Invert trimmer and secure grass shield to underside of motor housing with (2) two self-tapping screws (Fig. 4).
3. Remove tape from cutting knife on grass shield (Fig. 5).

Before Starting

Cutting Line

Note: The cutting line for your trimmer is a special monofilament line. Your trimmer comes complete with a supply of this line already wound onto the spool.

1. To avoid line tangle during shipment, the tip of the monofilament line has been taped to the cutter head. **The tape must be removed before operation** (Fig. 6).
2. Check cap to be sure it is securely snapped in place. Align cap tabs with slots in cutter head, press in tabs and push down cap and spool to lock cap in place (Fig. 16).

CAUTION

POTENTIAL HAZARD

- Cap may loosen during shipment. A loose or improperly installed cap or spool could fly off trimmer.

WHAT CAN HAPPEN

- Contact with a thrown spool or cap could cause injury to operator or bystanders.


HOW TO AVOID THE HAZARD

- Be sure spool and cap are fully secured before operating the unit. Replace spool if it is damaged or if cap does not securely snap onto cutter head.
- Keep bystanders and pets away from trimming area.

Securing Extension Cord

Note: The proper extension cord is a requirement for safe and efficient use of your Toro trimmer. Use only an extension cord recommended for outdoor use.

1. Plug extension cord into trimmer plug (Fig. 7).
2. Form a loop in the extension cord and insert it into the slot in the rear of the upper handle (Fig. 7).
3. Secure extension cord in cord lock as shown in Figure 7.


WARNING

POTENTIAL HAZARD

- Never use an electrical cord that is damaged.


WHAT CAN HAPPEN

- A damaged electrical cord could cause a shock or fire.

HOW TO AVOID THE HAZARD

- Thoroughly inspect electrical cord before using trimmer. If cord is damaged, do not operate trimmer. Replace or repair damaged cord immediately. Contact your TORO service dealer for assistance.

Operation


WARNING

POTENTIAL HAZARD

- Objects can be thrown by the trimmer while it is in operation.

WHAT CAN HAPPEN

- Thrown objects could cause injury to the operator or bystanders.

HOW TO AVOID THE HAZARD

- Always wear safety goggles or other suitable eye protection, long pants and shoes while operating trimmer.
- Keep people and pets away from trimming area.

Your trimmer will cut grass and small weeds in difficult and hard to reach places. However, you will most likely experience some line breakage during your first few uses. As you learn the trimming techniques, you will be able to cut areas around trees, shrubs, foundation walls, fences, sidewalks, patios, etc., with minimal line wear or line breakage.

1. Inspect area to be trimmed for any wire, cord, or string-like matter which could become entangled in the rotating line. Also pick up any objects or debris that could be thrown by the trimmer.
2. Lay out the extension cord so that it won't be in your way and to prevent kinking or tangling.
3. Trim only when grass and weeds are dry.
4. Slowly move unit in and out of area being cut, maintaining unit at desired cutting height. This can be either a forward-backward or side-to-side motion as indicated (Fig. 8 & 9).
5. Grass in excess of eight inches tall or small weeds should be cut by working from the top to the bottom in small increments to avoid premature line wear.
6. **DO NOT FORCE THE UNIT.** Allow the very *tip* of the nylon line to do the cutting (especially along walls) (Fig. 10). Cutting with more than the tip will reduce cutting efficiency and overload the motor.

The tip of the cutting line will wear during use and cause a reduction in the cutting swath. If the line is not advanced occasionally, it will wear down to the metal eyelet. When the trimmer is stopped the line will tend to **relax** and **may retract into the cutter head**. Should this occur, remove spool, refeed the line through metal eyelet, and reassemble spool to trimmer.

7. The life of your cutting line is dependent upon following the preceding trimming techniques, as well as what is being cut, and where the cutting is being done. For example, line wears faster when trimming against a foundation wall as opposed to trimming around a tree.

Some line breakage will occur from moving unit too fast, from entanglement with foreign matter, from normal line fatigue, and from attempting to

cut thick, stalky weeds in excess of unit's capability. As cutting line wears, for best performance, lengthen as indicated in Lengthening Cutting Line procedure.

8. **NEVER drag the trimmer spool on the ground while trimming (Fig. 11). This causes motor overload and spool wear.**
9. After each use, feed out some line to prevent line from retracting into cutting head.
10. Trimmer may be used as a decorative edger by rotating support handle 180° (Fig. 12).

WARNING

POTENTIAL HAZARD

- **When trimmer is used for decorative edging, objects may be thrown in operator's or bystander's direction.**

WHAT CAN HAPPEN

- **Thrown objects could cause injury to the operator or bystanders.**

HOW TO AVOID THE HAZARD

- **Always wear safety goggles or other suitable eye protection, long pants and shoes while operating trimmer.**
- **Keep people and pets away from trimming area.**

Lengthening Cutting Line

1. To lengthen line, firmly tap spool on the ground while the motor continues to run. The line will be fed from the spool and cut off to the proper length by the cutting knife attached to the shield (Fig. 13).

Remember to keep the trimmer 'on' while lengthening the line. Just tap the trimmer on the ground; **do not hold it on the ground.** After the line feeds out, wait until you hear the line being cut to the proper length before continuing to trim.

Note: To help prevent line tangle, tap only once to lengthen line. If additional line is required, wait a few seconds before retapping trimmer head. Do not allow line to wear too short. Keep line length at full cutting diameter as much as possible.

2. Lengthen line only when line has been shortened by wear. Unnecessary lengthening will waste line.

Note: The spool may wear during normal use of the line advance feature and may require occasional replacement. Replacement spools are available through your TORO retailer. See page 10 for accessories.

Replacing Cutting Line

Prewound replacement spools can be purchased from your local Toro retailer. The cutting line used by Toro is specially formulated for use on your trimmer. Other line may not provide the same high quality performance.

CAUTION

POTENTIAL HAZARD

- Use of line other than proper monofilament cutting line could cause personal injury.

WHAT CAN HAPPEN

- Wire or other string-like substances could cut through clothes, skin, etc. and cause personal injury.

HOW TO AVOID THE HAZARD

- Do not use any type of wire or other string-like substance.
- Use only TORO .065" dia. nylon monofilament cutting line, 30 feet maximum.

WARNING

POTENTIAL HAZARD

- When trimmer is in operation, the cutting head is rotating.

WHAT CAN HAPPEN

- Contact with rotating cutting head could cause personal injury.

HOW TO AVOID THE HAZARD

- Always be sure cutting head has completely stopped rotating and trimmer is unplugged before inverting trimmer.
- Never activate trimmer when it is in an inverted position.

1. Disconnect trimmer from power source.

CAUTION

POTENTIAL HAZARD

- Cutting knife on grass shield is sharp.

WHAT CAN HAPPEN

- Contact with cutting knife could cause personal injury.

HOW TO AVOID THE HAZARD

- Be careful when removing spool. Avoid contact with knife blade.

2. To remove empty spool, invert trimmer, place hand over spool and press in tabs on each side of cap (Fig. 14).

3. If there is any line on spool, hold free end of line with one hand to prevent spool from unraveling and with other hand grasp spool and lift off spool and cap together (Fig. 15).

Note: If spring falls off cutter head during this procedure, reinstall spring before reinstalling spool and cap.

Note: Before reinstalling spool, be sure to thoroughly clean out cutter head and visually inspect for any damaged or worn parts.

4. Unwind no more than three inches of line from new spool and hold line and spool to prevent unraveling.

5. Place cap on spool.

6. Insert line into metal eyelet in cutter head (Fig. 16) and hold line with one hand while using your other hand to place spool and cap on spring. Align cap tabs with slots in cutter head, press in tabs and push down cap and spool to lock cap in place (Fig. 16).

Note: Spool may need to be rotated slightly to allow it to be fully installed.

CAUTION

POTENTIAL HAZARD

- An improperly installed cap or spool could fly off trimmer.

WHAT CAN HAPPEN

- Contact with a thrown spool or cap could cause injury to operator or bystanders.

HOW TO AVOID THE HAZARD

- Be sure spool and cap are fully secured before operating the unit. Replace spool if it is damaged or if cap does not securely snap onto cutter head.
- Keep bystanders and pets away from trimming area.

7. If line should tangle or break at metal eyelet, unplug trimmer, remove spool, refeed the line through eyelet, and reassemble spool to trimmer.

Rewinding Empty Spools

To rewind an empty spool, follow the steps below:

1. Hook one end of line into slot on spool, **allowing no more than 1/8" to protrude. Push end of line all the way to the inner end of slot.** Wind line in direction of arrow on spool in level rows between spool flanges (Fig. 17).

Note: Trimmer will not function properly if line is wound in the wrong direction or if end of line protrudes more than 1/8" at inner end of slot.

2. **Do not wind line beyond outer edges of spool; trimmer will not function properly.**

Maintenance

WARNING

POTENTIAL HAZARD

- There is the possibility that trimmer could be inadvertently started when the extension cord is plugged into an electrical socket.

WHAT CAN HAPPEN

- Inadvertent starting could cause personal injury to operator or bystanders.

HOW TO AVOID THE HAZARD

- Always be sure your trimmer is unplugged and the cutting head has stopped rotating before attempting any maintenance or repairs.

1. To keep the exterior clean, just wipe it off with a damp cloth. **Never hose it down.**
2. Wipe or scrape clean the cutter head and spool area any time there is an accumulation of dirt or cuttings.
3. Check and tighten all fasteners. If any part is damaged or lost, repair or replace it.
4. Scrape debris away from air intake vents in both sides of motor housing (Fig. 18).

Important: Keeping air intake vents free of grass and debris prevents motor overheating and possible failure.

Important: To avoid damaging shield when storing trimmer, rest trimmer on cutter head or motor housing or hang trimmer from handle(s). **DO NOT REST TRIMMER ON GRASS SHIELD AS SHOWN (Fig. 19). THE GRASS SHIELD MAY WARP AND INTERFERE WITH CUTTING LINE.**

5. Any other servicing should be performed by an authorized Toro Service Dealer.

Accessories

REPLACEMENT PART NUMBERS	
PREWOUND SPOOL	EMPTY SPOOL
Model #88176	Part #73-8190

The Toro Promise

A Full Two Year Residential Use Warranty

The Toro Company warrants this TORO Product for two years against defects in material or workmanship. To receive a replacement or repair, at Toro's option, just return the complete unit, postage prepaid, to the Distributor (dealer) along with proof of purchase. This warranty covers product defects only. **It does not cover incidental or consequential damages.** This warranty gives you specific rights, and you may have other rights which vary from country to country. If all other remedies fail, you may contact us at The Toro Company, Dreve Richelle 161, Batiment "C", 1410 Waterloo, Belgium. (Do not return defective product to this address.)

Table des matières

	Page
Introduction	1
Sécurité	2
Glossaire des pictogrammes	4
Assemblage	5
Fixation de la poignée inférieure	5
Fixation du pare-herbe	5
Avant le démarrage	6
Fil de coupe	6
Fixation du cordon prolongateur	6
Fonctionnement	7
Avancement du fil de coupe	8
Remplacement du fil de coupe	8
Remplissage des bobines vides	10
Entretien	10
Accessoires	11
La promesse Toro	11

Introduction

Merci pour votre achat d'un produit Toro.

Chez Toro, notre désir à tous est que vous soyez entièrement satisfait de votre nouveau produit. N'hésitez donc pas à contacter votre concessionnaire agréé local qui tient à votre disposition un service d'entretien et de réparations, des pièces détachées et toute information qui pourrait vous être utile.

Chaque fois que vous contactez votre concessionnaire agréé ou l'usine, tenez à sa disposition les numéros de modèle et de série du produit. Ces numéros aideront le concessionnaire ou le représentant du service après-vente à vous fournir des informations précises pour votre produit particulier. Les numéros de modèle et de série de l'appareil sont indiqués sur une décalcomanie comme illustré à la figure 1.

A titre de référence, notez les numéros de modèle et de série de l'appareil dans l'espace ci-dessous.

No. de modèle : _____
No. de série : _____

Lisez attentivement ce manuel pour vous familiariser avec l'utilisation et l'entretien correct de votre produit. La lecture de ce manuel vous aidera, ainsi que les autres utilisateurs, à éviter des accidents corporels et des dommages au produit. Bien que Toro conçoive, fabrique et commercialise des produits sûrs, à la pointe de la technologie, vous avez la responsabilité de l'utiliser correctement et en toute sécurité. Vous êtes également responsables d'instruire les personnes auxquelles vous permettrez d'utiliser le produit, sur l'usage en toute sécurité.

Les mises en garde de ce manuel identifient les dangers potentiels et comprennent des messages de sécurité spécifiques destinés à vous éviter et à éviter à d'autres des blessures ou même la mort. Les mises en garde sont intitulées DANGER, AVERTISSEMENT et ATTENTION, suivant le niveau de danger. Toutefois, quel que soit ce niveau, soyez extrêmement prudent.

DANGER signale un risque extrême de blessures ou de mort si les précautions recommandées ne sont pas respectées.


AVERTISSEMENT signale un risque de blessures ou de mort si les précautions recommandées ne sont pas respectées.

ATTENTION signale un risque de blessures légères ou modérées si les précautions recommandées ne sont pas respectées.

Deux autres termes sont également utilisés pour signaler des messages d'informations essentielles : "Important", pour attirer l'attention sur des informations mécaniques spécifiques, et "Remarque", pour des informations d'ordre général méritant une attention particulière.

Sécurité

INSTRUCTIONS DE SÉCURITÉ IMPORTANTES

Pour assurer une sécurité maximale et les meilleures performances et connaissances possibles de l'appareil, il est essentiel que vous ou tout autre utilisateur de l'appareil, lisiez et compreniez le contenu de ce manuel avant d'utiliser l'appareil. Prêter une attention particulière aux textes marqués du symbole de sécurité  indiquant les mises en garde telles que ATTENTION, AVERTISSEMENT ou DANGER. Les textes intitulés "instructions pour la sécurité personnelle" concernent la sécurité et devront donc également être lus attentivement. TOUT MANQUEMENT À SE CONFORMER À CES INSTRUCTIONS PEUT ENTRAÎNER DES DOMMAGES CORPORELS, UN RISQUE D'INCENDIE OU D'ÉLECTROCUTION.

LIRE TOUTES LES INSTRUCTIONS AVANT D'UTILISER CET APPAREIL

CONSERVER CES INSTRUCTIONS POUR RÉFÉRENCE ULTÉRIEURE!

AVERTISSEMENT : pour réduire les risques d'incendie, de choc électrique ou de blessure, respecter les consignes de sécurité ci-dessous.

1. Lire attentivement le contenu de ce manuel avant d'utiliser le taille-bordures. Se familiariser avec le fonctionnement et savoir comment arrêter l'appareil immédiatement.
2. Tenir tout le monde, en particulier les enfants et les animaux domestiques, à l'écart de la zone de travail. Ne jamais laisser les enfants utiliser l'appareil. Ce n'est pas un jouet. Ne permettre à personne d'utiliser l'appareil sans avoir lu le Manuel de l'utilisateur.

3. Porter toujours des lunettes de sécurité ou toute autre protection oculaire appropriée lorsqu'on utilise l'appareil pour la finition de bordures ou la coupe décorative.
4. Ne jamais utiliser l'appareil dans un environnement mouillé ou humide. **NE PAS UTILISER SOUS LA PLUIE.**
5. Inspecter soigneusement l'endroit où le taille-bordures doit être utilisé. Ramasser tous débris et objets susceptibles de se prendre dans le taille-bordures ou d'être projetés lors de l'utilisation. Tenir tout le monde à l'écart de la zone de travail, en particulier les jeunes enfants et les animaux domestiques.
6. Porter des vêtements appropriés. Ne pas porter de vêtements amples ou de bijoux risquant de s'accrocher dans les pièces en mouvement. Attacher les cheveux longs pour qu'ils ne risquent pas d'être aspirés dans l'admission d'air. Porter toujours des chaussures robustes et des pantalons longs.
7. Ne pas utiliser l'appareil à des tâches pour lesquelles il n'est pas conçu. N'utiliser l'appareil que pour couper le gazon ou les mauvaises herbes.
8. Pour réduire les risques de décharge électrique, utiliser impérativement un cordon prolongateur destiné à l'usage extérieur. Remplacer immédiatement le prolongateur s'il est endommagé.
9. Prolongateur—Rattacher correctement le prolongateur au cordon d'alimentation de façon à empêcher le débranchement en cours d'utilisation.
10. Éviter le démarrage accidentel. S'assurer que le commutateur est en position éteinte (off) avant de brancher l'appareil. Ne pas transporter l'appareil branché en plaçant les doigts sur la détente.
11. Éteindre toutes les commandes avant de débrancher le cordon d'alimentation.
12. Ne pas toucher les prises ou l'appareil avec des mains mouillées ou en se tenant dans l'eau.

13. Ne pas utiliser l'appareil si la prise ou le cordon est endommagé. Si l'appareil ne fonctionne pas comme il devrait, s'il est tombé à terre ou dans l'eau, a été endommagé, ou oublié à l'extérieur, le retourner à un concessionnaire réparateur Toro agréé.
 14. Ne pas maltraiter le cordon. Ne pas tirer ou soulever l'appareil par le cordon, ne pas refermer une porte sur le cordon ou le tirer autour d'angles vifs ou de coins. Ne pas utiliser le cordon comme poignée. Ne pas débrancher l'appareil en tirant sur le cordon. Pour débrancher, saisir la prise, pas le cordon.
 15. Tenir le cordon à l'abri des températures extrêmes, de l'huile et des angles vifs. Remplacer le cordon s'il est endommagé.
 16. Ne pas forcer le taille-bordures. Il fonctionne mieux et de façon plus sûre s'il est utilisé à la vitesse pour laquelle il a été conçu.
 17. Utiliser uniquement de jour ou sous un bon éclairage artificiel. Toujours se tenir bien en équilibre. Tenir fermement la poignée et marcher, ne jamais courir.
 18. Arrêter le moteur et débrancher le cordon d'alimentation avant de quitter l'appareil, de nettoyer le carter ou de procéder à des réparations ou des inspections.
 19. Lorsque le taille-bordures n'est pas utilisé, le ranger dans un endroit sec, en hauteur ou sous clé, hors de la portée des enfants.
 20. S'assurer que toutes les fixations sont bien serrées pour garantir la sécurité de l'utilisation.
 21. S'assurer que la bobine et le capuchon sont bien assujettis avant de mettre l'appareil en marche.
 22. Ne jamais utiliser le taille-bordures si les gardes installées en usine et les autres dispositifs de sécurité ne sont pas en place.
 23. Ne jamais placer les pieds ou les mains près des pièces en rotation.
 24. Si l'appareil commence à vibrer de façon anormale, arrêter le moteur, débrancher le cordon d'alimentation et examiner immédiatement l'appareil pour déterminer la cause des vibrations. Les vibrations sont généralement signe de problème.
 25. Ne pas utiliser un appareil qui est tombé ou a été endommagé. Le retourner au concessionnaire réparateur Toro agréé le plus proche.
 26. Lors des réparations, utiliser exclusivement des TORO pièces de rechange d'origine. Remplacer ou réparer les cordons d'alimentation endommagés.
 27. Ne pas tenter d'atteindre des endroits trop éloignés. Toujours se tenir bien en équilibre lors de l'usage du taille-bordures.
 28. Entretenir soigneusement l'appareil. Pour une performance optimale et pour réduire les risques d'accident, maintenir la tête de coupe et le carter moteur en bon état de propreté. Se conformer aux instructions d'entretien de la page 9.
 29. **ATTENTION**—La lame de coupe du pare-herbe est tranchante. Il convient de procéder avec précaution lors des opérations de nettoyage et de l'utilisation.
 30. **CORDON PROLONGATEUR**—Utiliser un cordon prolongateur destiné à l'usage extérieur, conforme à la réglementation électrique en vigueur. S'assurer que le cordon est en bon état. S'il est endommagé, le remplacer. Utiliser un prolongateur d'une section suffisante pour le courant utilisé par l'appareil.
- Voir à la figure 7 comment connecter correctement le cordon.
- Remarque:** l'usage d'un cordon prolongateur de plus de 46 m (150 pi.) est déconseillé.
- Certifié selon CEE 10

Niveau de bruit

Cette machine a un niveau de bruit aérien maximum établi par mesure de machines identiques.

70 dB(A)

Niveau de vibrations

Cette machine a un niveau de vibrations maximum de 2.5 m/s², établi par mesure de machines identiques.

Glossaire des pictogrammes

Triangle d'alerte de sécurité – le pictogramme à l'intérieur indique un danger



Symbole d'alerte de sécurité



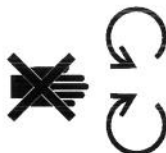
Lire le manuel de l'utilisateur



Suivre la procédure d'entretien décrite dans le manuel



Ne pas ouvrir ou retirer les boucliers de protection quand le moteur tourne



Projection d'objets – risques pour tout le corps



Conserver au sec



Décharges électriques/électrocution



Coupure des doigts ou de la main



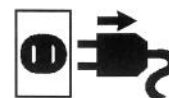
Coupure du pied



Porter des lunettes de protection



Débrancher l'appareil



Tenir toute personne à distance



Assemblage

Remarque: Une fois assemblé, le taille-bordures doit se présenter comme illustré dans la Figure 1.

Fixation de la poignée inférieure

1. Engager la poignée inférieure sur le tube, le côté lisse de la poignée tourné vers le haut. Fixer la poignée sur le tube à l'aide du boulon de carrossier et de bouton, sans serrer (Fig. 2).

Remarque: Régler la hauteur de la poignée sur le tube en la faisant glisser vers le haut ou vers le bas, puis bloquer la poignée à la hauteur voulue en serrant fermement bouton.

Fixation du pare-herbe

PRUDENCE

DANGER POTENTIEL

- La lame de coupe sur le pare-herbe est tranchante.

QUELS SONT LES RISQUES?

- Le contact avec cette lame peut entraîner des dommages corporels.

COMMENT SE PROTÉGER?

- Être attentif lors de la manipulation du pare-herbe. Éviter tout contact avec la lame de coupe.

1. Insérer le pare-herbe dans la longue fente courbée du carter moteur (Fig. 3).
2. Retourner le taille-bordures et fixer le pare-herbe sous le carter moteur au moyen des 2 vis autotaraudeuses (Fig. 4).
3. Retirer la bande adhésive de la lame de coupe sur le pare-herbe (Fig. 5).

Avant le démarrage

Fil de coupe

Remarque: Le fil de coupe du taille-bordures est un fil spécial monofilament. Le taille-bordures est vendu avec une provision de fil déjà enroulé sur la bobine.

1. Pour éviter que le fil ne s'emmêle pendant l'expédition, l'extrémité du fil a été collée sur la tête de coupe. **Enlever la bande adhésive avant de démarrer l'appareil** (Fig. 6).
2. Vérifier si le capuchon est bien encliqueté en position. Tourner les ergots du capuchon en regard des ouvertures de la tête de coupe, pincer les ergots et appuyer sur le capuchon et la bobine pour bloquer le capuchon en position (Fig. 16).

PRUDENCE

DANGER POTENTIEL

- Le capuchon peut se desserrer pendant le transport. Desserrés ou mal installés, le capuchon et la bobine peuvent être projetés.

QUELS SONT LES RISQUES?

- Le capuchon ou la bobine projetés peuvent blesser l'utilisateur ou des personnes se tenant à proximité.

COMMENT SE PROTÉGER?

- S'assurer que la bobine et le capuchon sont bien assujettis avant d'utiliser l'appareil. Remplacer la bobine si elle est endommagée ou si le capuchon ne s'encliquete pas correctement sur la tête de coupe.
- Tenir les personnes et les animaux domestiques à l'écart de la zone de travail.

Fixation du cordon prolongateur

Remarque: Un cordon prolongateur approprié est indispensable pour assurer un fonctionnement efficace de l'appareil en toute sécurité. Utiliser impérativement un prolongateur destiné à l'usage extérieur.

1. Enficher le prolongateur dans la prise de l'appareil (Fig. 7).
2. Former une boucle dans le cordon prolongateur et l'insérer dans la fente à l'arrière de la poignée supérieure (Fig. 7).
3. Attacher le cordon prolongateur comme indiqué à la figure 7.

ATTENTION

DANGER POTENTIEL

- Ne jamais utiliser un cordon électrique endommagé.

QUELS SONT LES RISQUES?

- Un cordon électrique endommagé peut causer un choc électrique ou un incendie.

COMMENT SE PROTÉGER?

- Inspecter la totalité du cordon électrique avant d'utiliser le taille-bordures. Si le cordon est endommagé, ne pas utiliser le taille-bordures. Remplacer ou réparer le cordon immédiatement. Contacter votre concessionnaire réparateur TORO pour toute assistance concernant l'entretien.

Fonctionnement

ATTENTION

DANGER POTENTIEL

- Des objets peuvent être projetés par le taille-bordures pendant son utilisation.

QUELS SONT LES RISQUES?

- Les objets projetés peuvent entraîner des dommages corporels à l'opérateur ou aux personnes se tenant à proximité.

COMMENT SE PROTÉGER?

- Porter toujours des lunettes de sécurité ou toute autre protection oculaire appropriée, des pantalons longs et des chaussures lors de l'utilisation du taille-bordures.
- Tenir les personnes et les animaux domestiques à l'écart de la zone de travail.

Le taille-bordures est conçu pour permettre de couper l'herbe et les mauvaises herbes dans les endroits délicats ou d'accès difficile. Il est possible que le fil se casse lors des premières utilisations. Dès que la technique s'améliore, on peut cependant travailler facilement autour des arbres et des buissons, au pied des murs, contre les grillages, trottoirs, cours, etc.. avec un minimum d'usure et de cassure du fil.

1. Inspecter la surface à tailler pour enlever tout morceau de fil, câble ou objet similaire susceptible de se prendre dans le fil en rotation. Ramasser également tous les objets ou débris qui pourraient être projetés par le taille-bordures.
2. Installer le cordon prolongateur de façon à ce qu'il ne vous gêne pas pendant l'utilisation et à éviter qu'il ne se noue ou ne s'emmêle.
3. Ne jamais tailler l'herbe humide ou mouillée.
4. Amener l'appareil progressivement dans la zone à tailler, en le tenant à la hauteur désirée. Déplacer l'appareil d'avant en arrière ou latéralement, comme illustré (Fig. 8 et 9).
5. L'herbe haute de plus de 20 cm (8 po.) doit être coupée en plusieurs fois, par passes successives, pour éviter l'usure prématurée du fil.
6. **NE PAS FORCER L'APPAREIL.** Couper avec la *pointe* du fil (surtout le long des murs) (Fig. 10). Un engagement plus important du fil est moins efficace et risque de surcharger le moteur.

L'extrémité du fil de coupe s'use progressivement, ce qui réduit la largeur de coupe. Si on n'avance pas le fil de temps en temps, il risque de s'user jusqu'à l'oeillet en métal. Lorsqu'on arrête l'appareil, la tension sur le fil a tendance à se **relâcher** et le fil risque de **disparaître dans la tête de coupe**. Si cela se produit, retirer la bobine, faire sortir le fil par l'oeillet de métal et remettre la bobine en place dans le taille-bordures.
7. La durée de vie du fil dépend de l'application des techniques ci-dessus, ainsi que de l'objet et de l'endroit de la taille. La taille de l'herbe au pied d'un mur, par exemple, use le fil beaucoup plus vite que la taille autour des arbres.

Des cassures du fil peuvent être dues à un déplacement trop rapide de l'appareil, à l'enchevêtrement d'objets étrangers, à l'usure normale du fil ou à la tentative de couper des tiges de mauvaises herbes trop épaisses, qui dépassent les capacités de l'appareil. Pour un meilleur résultat, compenser l'usure du fil en le faisant avancer comme expliqué dans la procédure Avancement du fil de coupe.
8. **Ne pas laisser traîner la bobine du taille-bordures sur le sol pendant la taille (Fig. 11). Ceci provoquerait une surcharge du moteur et une usure de la bobine.**
9. Après chaque utilisation, faire avancer le fil pour éviter qu'il ne se rétracte dans la tête de coupe.
10. Le taille-bordures peut être utilisé pour tailler de façon décorative en faisant pivoter le support de la poignée à 180° (Fig. 12).

ATTENTION

DANGER POTENTIEL

- Lorsque le taille-bordures est utilisé pour tailler de façon décorative, des objets peuvent être projetés dans la direction de l'opérateur ou des personnes se tenant à proximité.

QUELS SONT LES RISQUES?

- Les objets projetés peuvent entraîner des dommages corporels à l'opérateur ou aux personnes se tenant à proximité.

COMMENT SE PROTÉGER?

- Porter toujours des lunettes de sécurité ou toute autre protection oculaire appropriée, des pantalons longs et des chaussures lors de l'utilisation du taille-bordures.
- Tenir les personnes et les animaux domestiques à l'écart de la zone de travail.

Avancement du fil de coupe

1. Pour avancer le fil, taper la bobine d'un coup sec sur le sol tandis que le moteur continue de tourner. Le fil sera avancé par la bobine et coupé à une taille appropriée par la lame de coupe attachée au pare-herbe. (Fig. 13).

Penser à garder le taille-bordures en marche lorsque le fil doit être avancé. Taper simplement le taille-bordures d'un coup sec sur le sol; **ne pas le laisser sur le sol**. Après que le fil ait été avancé, attendre avant de continuer de tailler que le bruit de la coupure du fil à la bonne longueur se fasse entendre.

Remarque: Pour éviter que le fil ne s'emmêle, ne taper qu'une seule fois pour que le fil avance. S'il faut encore du fil, attendre quelques secondes avant de retaper la tête du taille-bordures. Ne pas laisser le fil devenir trop court. Dans la mesure

du possible, garder la longueur du fil égale à celle du plein diamètre de coupe.

2. N'avancer le fil que lorsque celui-ci a été raccourci par l'usure. Les avancements inutiles sont une perte de fil.

Remarque: La bobine peut s'user durant l'utilisation normale de la fonction d'avance du fil, et peut devoir être remplacée. Des bobines de rechange sont disponibles chez votre revendeur TORO. Voir à la page 10 pour les accessoires.

Remplacement du fil de coupe

Des bobines de rechange garnies de fil peuvent être achetées chez votre revendeur local Toro. Le fil de coupe utilisé par Toro est spécialement conçu pour votre taille-bordures. D'autres fils risquent de ne pas donner d'aussi bons résultats.

PRUDENCE

DANGER POTENTIEL

- L'usage d'un fil de coupe autre que le fil monofilament approprié peut être dangereux.

QUELS SONT LES RISQUES?

- Un fil métallique ou de tout autre type peut couper les vêtements, la peau etc. et occasionner des blessures.

COMMENT SE PROTÉGER?

- N'utiliser aucun autre type de fil de fer ou autre substance de type ficelle.
- N'utiliser que le monofilament en nylon de 1,65 mm (0,065 pouces) TORO, 9 mètres maximum (30 pieds).

ATTENTION

DANGER POTENTIEL

- Lorsque le taille-bordures est en cours d'utilisation, la tête de coupe est en rotation.

QUELS SONT LES RISQUES?

- Le contact avec la tête de coupe peut entraîner des dommages corporels.

COMMENT SE PROTÉGER?

- S'assurer que la tête de coupe est à l'arrêt total et que le taille-bordures est débranché avant de renverser le taille-bordures.
- Ne jamais mettre le taille-bordures en marche quand il est renversé.

1. Débrancher le taille-bordures.

PRUDENCE

DANGER POTENTIEL

- La lame de coupe sur le pare-herbe est tranchante.

QUELS SONT LES RISQUES?

- Le contact avec cette lame peut entraîner des dommages corporels.

COMMENT SE PROTÉGER?

- Être attentif lors de la manipulation du pare-herbe. Éviter tout contact avec la lame de coupe.

2. Pour retirer la bobine vide, renverser le taille-bordures, placer la main sur la bobine et enfoncer les ergots de chaque côté du capuchon (Fig. 14).
3. S'il y a encore du fil dans la bobine, en tenir l'extrémité avec une main pour empêcher la bobine de se dérouler et, avec l'autre main, tenir la bobine et soulever la bobine et le capuchon en même temps (Fig. 15).

Remarque: si le ressort tombe de la tête de coupe pendant cette opération, le réinstaller avant de remettre la bobine et le capuchon.

Remarque: avant de réinstaller la bobine, nettoyer complètement la tête de coupe et inspecter visuellement pour s'assurer qu'il n'existe pas de pièces endommagées ou usées.

4. Ne pas dérouler plus de 8 cm (3 pouces) de fil de la nouvelle bobine et tenir le fil et la bobine pour éviter tout déroulement.
5. Mettre le capuchon sur la bobine.
6. Insérer le fil dans l'oeillet de métal de la tête de coupe (Fig. 16) et le tenir d'une main tout en plaçant la bobine et le capuchon sur le ressort avec votre autre main. Aligner les ergots de capuchon sur les fentes de la tête de coupe, enfoncer les ergots et bloquer le capuchon et la bobine en position en appuyant dessus (Fig. 16).

Remarque: il s'avérera peut-être nécessaire de faire pivoter la bobine légèrement pour bien la loger.

PRUDENCE

DANGER POTENTIEL

- Un capuchon ou une bobine incorrectement installés peuvent être projetés hors du taille-bordures.

QUELS SONT LES RISQUES?

- Le capuchon ou la bobine projetés peuvent blesser l'utilisateur ou des personnes se tenant à proximité.

COMMENT SE PROTÉGER?

- S'assurer que la bobine et le capuchon sont bien assujettis avant d'utiliser l'appareil. Remplacer la bobine si elle est endommagée ou si le capuchon ne s'encliquette pas dans la tête de coupe.
- Tenir les personnes et les animaux domestiques à l'écart de la zone de travail.

7. Si le fil devait s'enchevêtrer ou casser à l'oeillet de métal, débrancher le taille-bordures, enlever la bobine, repasser le fil à travers l'oeillet et remettre la bobine sur le taille-bordures.

Remplissage des bobines vides

Pour garnir une bobine vide, suivre les étapes ci-dessous :

1. Passer un bout du fil dans la fente de la bobine, sans laisser dépasser plus de 3 mm (1/8 de pouce). Pousser le bout du fil tout au fond de la fente. Enrouler le fil sur la bobine dans le sens de la flèche en couches égales d'un bord à l'autre de la bobine (Fig. 17).

Remarque: Si le fil est enroulé dans le mauvais sens ou si le bout du fil dépasse de plus 3 mm au fond de la fente, le taille-bordures ne fonctionnera pas correctement.

2. Ne pas remplir au-delà des rebords de la bobine, sans quoi le taille-bordures ne fonctionnera pas correctement.

Entretien

ATTENTION

DANGER POTENTIEL

- Il est possible que le taille-bordures démarre par inadvertance si le cordon prolongateur est branché.

QUELS SONT LES RISQUES?

- Un démarrage par inadvertance peut entraîner des dommages corporels à l'opérateur et aux personnes se tenant à proximité.

COMMENT SE PROTÉGER?

- S'assurer toujours que le taille-bordures est débranché et que la tête de coupe est à l'arrêt total avant d'essayer d'effectuer tout entretien ou toute réparation.

1. Pour maintenir l'extérieur dans un état de propreté, l'essuyer avec un chiffon humide. Ne jamais l'arroser.
2. Nettoyer ou racler la zone de la tête de coupe et la bobine chaque fois qu'il y a une accumulation de saletés et des débris.
3. Vérifier et resserrer toutes les fixations. Si une pièce est endommagée ou égarée, la réparer ou la remplacer.
4. Enlever les débris obstruant les prises d'air de chaque côté du carter moteur (Fig. 18).

Important: Les prises d'air doivent être dégagées de l'herbe ou des débris pour éviter la surchauffe du moteur et les risques de panne éventuelle.

Important: Pour éviter d'endommager le pare-herbe lors du remisage du taille-bordures, poser le taille-bordures sur la tête de coupe ou le carter moteur ou le pendre par sa(ses) poignée(s). NE PAS LAISSER LE TAILLE-BORDURES REPOSER SUR LE PARE-HERBE COMME ILLUSTRÉ (Fig. 19). LE

**PARE-HERBE PEUT SE VOILER
OU INTERFÉRER AVEC LE FIL
DE COUPE.**

5. Tout autre service d'entretien ne peut être effectué que par un concessionnaire réparateur Toro.

Accessoires

RÉFÉRENCES DES PIÈCES DE RECHANGE	
BOBINE GARNIE	BOBINE VIDE
Réf. n° 88176	Réf. n° 73-8190

La promesse Toro

Garantie totale de deux ans pour usage résidentiel

La société Toro garantit ce produit TORO pendant une période de deux ans contre tout défaut de pièces ou main d'oeuvre. Pour obtenir la réparation ou l'échange d'un appareil sous garantie, à la discrétion de Toro, ramener l'appareil complet chez le vendeur, avec la preuve d'achat. La garantie ne couvre que les défauts du produit. **Elle ne couvre pas les dommages secondaires ou indirects.** Cette garantie vous accorde des droits spécifiques, et certains droits susceptibles de varier d'un pays à l'autre. En dernier recours, nous contacter à l'adresse suivante: The Toro Company, Drève Richelle 161, Bâtiment "C", 1410 Waterloo, Belgique. (Ne pas renvoyer de produits défectueux à cette adresse.)

Contenido

	Página
Introducción	1
Advertencia	2
Glosario de símbolos	4
Ensamble	5
Fije la manija de soporte	5
Fije El Guardahierbas	5
Antes de comenzar	6
Linea De Corte	6
Para Fijar El Cable De Extension	6
Operacion	7
Para Alargar La Linea De Corte	8
Para Reemplazar La Linea De Corte	8
Rebobinado De Bobinas Vacias	10
Mantenimiento	10
Accesorios	10
La promesa de Toro	11

Introducción

Agradecemos su compra de un producto Toro.

En Toro todos deseamos que usted quede completamente satisfecho con su nuevo producto y por ello no tenga ningún reparo en comunicarse con el Concesionario de Servicio Autorizado de su localidad para pedir ayuda con el mantenimiento, repuestos genuinos de Toro o cualquier otra información que precise.

Siempre que se comunique con el Concesionario de Servicio Autorizado o con la fábrica, tenga a la mano los números de modelo y serie del producto. Estos números ayudarán al Concesionario de Servicio o al Representante de Servicio a proporcionarle una información precisa acerca de su producto determinado. Encontrará la calcomanía con los números de modelo y serie en un lugar especial en el producto (Fig. 1).

Para mayor comodidad, anote los números de modelo y serie en los renglones a continuación:

No. del modelo:	_____
No. de serie:	_____

Lea bien este manual para así aprender cómo hacer funcionar y mantener correctamente su producto. La lectura de este manual le ayudará a usted y a otras personas a evitar lesiones corporales y daños al producto. Aunque Toro diseña, produce y comercializa productos modernos y seguros, usted es responsable de usar el producto debidamente y de forma segura. También es responsable de enseñar a las personas a quienes deje usar el producto acerca de la operación de forma segura.

El sistema de advertencias de Toro en este manual identifica los posibles riesgos y contiene mensajes especiales acerca de la seguridad que le ayudarán a usted y a otras personas a evitar lesiones corporales, inclusive de muerte. PELIGRO, ADVERTENCIA Y PRECAUCION son palabras indicadoras utilizadas para identificar el grado del riesgo. No obstante, independientemente del riesgo, tenga sumo cuidado.

PELIGRO indica un riesgo extremado que causará una lesión grave o de muerte si no se observan las precauciones recomendadas.


ADVERTENCIA indica un riesgo que causaría una lesión grave o de muerte si no se observan las precauciones recomendadas.

PRECAUCION indica un riesgo que causaría una lesión leve o moderada si no se observan las precauciones recomendadas.

También se utilizan dos palabras adicionales para hacer resaltar la información. "Importante" llama la atención a información mecánica especial y "Nota" da énfasis a información general que merece una atención especial.

Advertencia

IMPORTANTES INSTRUCCIONES DE SEGURIDAD

Para lograr la máxima seguridad, el mejor rendimiento y adquirir conocimientos acerca del aparato, antes de su operación **es esencial que usted y todos los demás operadores del aparato lean y comprendan el contenido de este manual. Preste una atención especial al símbolo de alerta de seguridad  que significa PRECAUCION, ADVERTENCIA O PELIGRO— "instrucción para la seguridad personal". Lea y comprenda la instrucción puesto que tiene que ver con la seguridad. EL HECHO DE NO OBEDECER LA INSTRUCCION PUEDE RESULTAR EN LESION CORPORAL, RIESGO DE INCENDIO O DESCARGA ELECTRICA.**

LEA TODAS LAS INSTRUCCIONES ANTES DE USAR ESTE APARATO

ÁCONSERVE ESTAS INSTRUCCIONES PARA CONSULTARLAS EN EL FUTURO!

ADVERTENCIA—Para reducir el riesgo de incendio, choque eléctrico o lesiones, observe estas instrucciones de seguridad.

1. Antes de operar la recortadora, lea y comprenda el contenido de este manual. Familiarícese con todos los controles y sepa cómo pararla rápidamente.
2. Mantenga a todo el mundo lejos de la zona de operaciones, en especial a los niños y los animales domésticos. Jamás permita que los niños operen el aparato. No es un juguete. Nunca deje que los adultos operen la unidad sin que antes hayan leído el Manual del Operador.
3. Siempre use gafas de seguridad o demás protección ocular idónea cuando la recortadora se use para recortar o hacer cortes decorativos.
4. Nunca opere el aparato bajo condiciones mojadas o húmedas. **NO LO USE EN LA LLUVIA.**
5. Inspeccione completamente el lugar donde va a usar la recortadora. Recoja todos los escombros y objetos que se pudieran atrapar en la recortadora o que éste pudiera recoger y disparar. Mantenga a todo el mundo fuera de la zona de operaciones, en especial a los niños pequeños y los animales domésticos.
6. Vístase correctamente. No use ropa suelta ni joyas. Se pueden atrapar en las piezas en movimiento. Sujete con ganchos el cabello largo de forma que no pueda ser aspirado dentro de la toma de aire de la unidad. Siempre use calzado fuerte y pantalones largos.
7. Use el aparato correcto—No use el aparato para una labor que no sea aquella para la cual se diseñó, como, por ejemplo, cortar hierba y malas hierbas.
8. Para **reducir el riesgo de sacudidas eléctricas**, use solamente un cable de extensión recomendado para el uso al aire libre. Cambie inmediatamente un cable de extensión que esté averiado.
9. Cable de extensión—Para impedir la desconexión de la recortadora del cable de extensión durante el uso, conecte bien el cable de extensión antes del uso.
10. Evite el arranque accidental. Asegúrese de que el interruptor esté apagado cuando lo enchufe. Cuando cargue la recortadora conectada no ponga el dedo sobre el interruptor.
11. Apague todos los controles antes de desenchufar el cable.
12. No toque el enchufe ni el aparato con las manos mojadas ni mientras esté parado en el agua.

13. No use el aparato con un cable o enchufe averiado. Si el aparato no funciona como es debido, se ha caído, dañado, dejado a la intemperie o sumergido en agua, devuélvalo a un Concesionario de Servicio Toro Autorizado.
 14. Trate el cable con cuidado. No tire ni cargue el aparato por el cable ni cierre una puerta sobre el cable ni arrastre el cable por rebordes o esquinas agudas. No use el cable de manija. No desenchufe el aparato halando del cable. Para desenchufar, hale del enchufe y no del cable.
 15. Mantenga el cable alejado del calor fuerte, el aceite y los bordes agudos. Cambie los cables dañados.
 16. No fuerce la recortadora. Funciona mejor y con mayor seguridad a la razón para la cual fue diseñada.
 17. Usela solamente con la luz del día o con buena iluminación artificial. Siempre esté seguro de su pisada. Mantenga firme la manija y camine, nunca corra.
 18. Pare el motor y desenchufe el cable alimentador siempre que se aparte del aparato, antes de limpiar la caja y cuando haga reparaciones o inspecciones.
 19. Cuando no esté en uso, almacene la recortadora en un lugar seco; en lo alto o bajo llave lejos del alcance de los niños.
 20. Mantenga apretados todos los sujetadores para asegurarse de que el aparato esté en condiciones de uso seguras.
 21. Asegúrese de que la bobina y la tapa estén bien afianzadas antes de operarla.
 22. Nunca lo opere sin que los resguardos instalados en fábrica o demás dispositivos protectores de seguridad estén bien colocados.
 23. No ponga las manos ni los pies cerca o debajo de las piezas que giran. Manténgase a salvo en todo momento.
 24. Si el aparato comienza a vibrar de forma anormal, apague el motor, desenchufe el cable y busque la causa inmediatamente. La vibración por lo general es señal de problemas.
 25. No opere el aparato después de que se haya caído o dañado. Devuélvalo al Concesionario de Servicio Toro Autorizado más cercano para que se efectúen las reparaciones.
 26. Al prestar servicio use exclusivamente TORO repuestos idénticos. Cambie o reemplace los cables dañados.
 27. No se sobreextienda—Mantenga el pisado y equilibrio debidos en todo momento de operación de la recortadora.
 28. Mantenga el aparato con cuidado—Para lograr el mejor rendimiento y reducir los riesgos de lesiones, mantenga limpios el cabezal cortador y la caja del motor. Siga las Instrucciones para Mantenimiento contenidas en la página 9.
 29. **PRECAUCION**—La cuchilla cortadora del guardahierbas está afilada y se debe tener cuidado al limpiar y manejar.
 30. **REQUISITOS DEL CABLE DE EXTENSION**—Use un cable de extensión apto para uso en la intemperie y que cumpla con los requisitos especificados en el código eléctrico de su país. Asegúrese de que el cable esté en buenas condiciones; si está dañado, cámbielo. Use un cable que sea lo suficientemente grande para aguantar la corriente que usará la recortadora.
- Vea en la Figura 7 la conexión correcta del cable.
- Nota:** no se recomienda el uso de un cable de extensión de más de 46 m (150 pies).

Certificado para CEE 10

Emisiones de sonido

Esta unidad tiene una emisión máxima de ruido transmitido por el aire, basándose en las medidas realizadas en máquinas idénticas.

70 dB(A)

Nivel de vibración

Esta unidad tiene un nivel máximo de vibración 2.5 m/s², basándose en las medidas realizadas en máquinas idénticas.

Glosario de símbolos

Triángulo de alerta de seguridad – el símbolo dentro del triángulo indica un peligro



Símbolo de alerta de seguridad



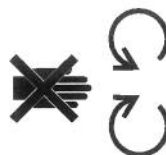
Lea el manual del operador



Consulte en el manual técnico los procedimientos de servicio adecuados



No abra o retire las protecciones de seguridad mientras el motor esté en marcha



Objetos voladores – Todo el cuerpo está expuesto



Manténgase seco



Sacudida eléctrica/electrocución



Corte de dedo o mano



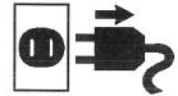
Corte de pie



Llevar protección para los ojos



Desconectar de la corriente



Mantener espectadores alejados



Ensamble

Nota: Cuando esté totalmente ensamblado la recortadora debe verse como se indica en la Figura 1.

Fije la manija de soporte

1. Oprima la manija de soporte dentro del tubo con el lado liso de la manija de soporte hacia la manija superior. Conecte, pero deje floja, la manija de soporte al tubo con el tornillo de carruaje y la perilla (Fig. 2).

Nota: la altura de la manija de soporte se puede ajustar al correr la manija hacia arriba o abajo por el tubo. Cuando la manija de soporte esté a la altura deseada, apriete bien la perilla.

Fije El Guardahierbas

PRECAUCION

PELIGRO POTENCIAL

- La cuchilla cortadora en el guardahierbas está afilada.

LO QUE PUEDE SUCEDER

- El contacto con la cuchilla cortadora podría causar lesiones corporales.

COMO EVITAR EL PELIGRO

- Tenga cuidado al manejar el guardahierbas. Evite el contacto con la cuchilla cortadora.

1. Fije el guardahierbas dentro de la muesca larga curvada de la caja del motor (Fig. 3).
2. Ponga la recortadora al revés y fije el guardahierbas a la parte inferior de la caja del motor con (2) dos tornillos autoenroscantes (Fig. 4).
3. Remueva la cinta de la cuchilla cortadora del guardahierbas (Fig. 5).

Antes de comenzar

Línea De Corte

Nota: la línea de corte de la recortadora es una línea de monofilamento especial. La recortadora viene completa con un suministro de esta línea ya embobinada.

1. Para evitar que la línea se enrede durante el envío, la punta de la línea de monofilamento fue pegada al cabezal cortador. **Hay que remover la cinta antes de la operación** (Fig. 6).
2. Revise la tapa para asegurarse de que esté bien trabada en su sitio. Alinee las lengüetas de la tapa con las ranuras del cabezal cortador, oprima las lengüetas y empuje la tapa y la bobina hacia abajo para que la tapa se trabe en su sitio (Fig. 16).

PRECAUCION

PELIGRO POTENCIAL

- La tapa se puede aflojar durante el envío. Una tapa o bobina floja o mal instalada podría volarse de la recortadora.

LO QUE PUEDE SUCEDER

- El contacto con una tapa o bobina lanzada podría causar lesiones al operador o a las personas que estén cerca.

COMO EVITAR EL PELIGRO

- Asegúrese de que la bobina y la tapa estén completamente afianzadas antes de operar la unidad. Cambie la bobina si está dañada o si la tapa no se traba bien sobre el cabezal de la recortadora.
- Mantenga lejos de la zona de corte a las personas y animales domésticos.

Para Fijar El Cable De Extension

Nota: El cable de extensión correcto es un requisito necesario para el uso seguro y eficaz de su recortadora Toro. Use solamente un cable de extensión recomendado para el uso al aire libre.

1. Conecte el cable de extensión en el enchufe de la recortadora (Fig. 7).
2. Haga un bucle en el cable de extensión e introdúzcalo dentro de la muesca detrás de la manija superior (Fig. 7).
3. Fije el cable de extensión en la traba del cable como se muestra en la Figura 7.

ADVERTENCIA

PELIGRO POTENCIAL

- Nunca use un cable eléctrico que está dañado.

LO QUE PUEDE SUCEDER

- El cable eléctrico dañado podría causar una descarga o un incendio.

COMO EVITAR EL PELIGRO

- Inspeccione el cable eléctrico totalmente antes de usar la recortadora. Si el cable está dañado, no use la recortadora. Cambie o repare el cable dañado inmediatamente. Comuníquese con su concesionario de servicio TORO para pedir ayuda.

Operacion

ADVERTENCIA

PELIGRO POTENCIAL

- La recortadora puede disparar objetos cuando está funcionando.

LO QUE PUEDE SUCEDER

- Los objetos disparados podrían lesionar al operador o a las personas que estén cerca.

COMO EVITAR EL PELIGRO

- Al operar la recortadora siempre use gafas de seguridad o demás protección ocular idónea, pantalones largos y zapatos.
- Mantenga lejos de la zona de corte a las personas y animales domésticos.

La recortadora cortará hierba y malas hierbas pequeñas en sitios que son dificultosos y difíciles de alcanzar. No obstante, es muy probable que usted experimente cierta ruptura de línea en los primeros cuantos usos. A medida que vaya aprendiendo las técnicas de corte, podrá cortar lugares alrededor de árboles, arbustos, muros de cimientos, cercas, andenes, patios, etc., con un mínimo de desgaste o ruptura de la línea.

1. Inspeccione la zona donde va a cortar por si hay algún alambre, cable o tipo de cuerda que se pueda enredar en la línea rotatoria. Además, recoja todos los objetos o escombros que pudieran ser disparados por la recortadora.
2. Disponga el cable de extensión de forma que no le estorbe y para prevenir que se tuerza o enrede.
3. Corte solamente cuando la hierba y las malas hierbas están secas.
4. Mueva la unidad lentamente hacia adentro y afuera del lugar que se corta, manteniendo la unidad a la altura de corte deseada. Esto se puede hacer con un movimiento de adelante hacia atrás o de lado a lado, como se muestra (Figs. 8 y 9).

5. La hierba de más de 20 cm (ocho pulgadas) y las malas hierbas pequeñas se deben cortar desde arriba hacia abajo, poco a poco, para evitar el desgaste prematuro de la línea.

6. **NO FUERCE LA UNIDAD.** Deje que la misma *punta* de la línea de nylon corte (especialmente a lo largo de muros) (Fig. 10). Si se corta con más de la punta se reducirá la eficacia del corte y se recargará el motor.

La punta de línea de corte se desgastará con el uso y causará una reducción en el corte. Si no se avanza la línea ocasionalmente, se desgastará hasta el ojal metálico. Cuando la recortadora se detenga la línea tenderá a **relajarse** y **podría retraerse dentro del cabezal cortador**. Si esto sucede, remueva la bobina, vuelva a enhebrar la línea por el ojal metálico y reensamble la bobina en la recortadora.

7. La vida útil de la recortadora depende de que se observen las técnicas de corte precedentes, así como de lo que se corta y de dónde es que se corta. Por ejemplo, la línea se desgasta con mayor rapidez si se corta contra un muro de cimientos que si se corta alrededor de un árbol.

Habrà cierta ruptura de la línea si se mueve la unidad con demasiada rapidez, si se enreda con materias extrañas, si hay una fatiga normal de la línea y si se intenta cortar hierbas malas gruesas y talludas, en exceso de la capacidad de la unidad. A medida que se desgasta la línea de corte, para el mejor rendimiento, alárguela como se indica en el procedimiento Para Alargar la Línea de Corte.

8. **Al cortar nunca arrastre la bobina de la recortadora sobre el suelo (Fig. 11). Esto recarga el motor y desgasta la bobina.**
9. Después de cada uso saque parte de la línea para impedir que la línea se retraiga dentro del cabezal cortador.
10. La recortadora se puede usar de recortador decorativo al girar 180° la manija de soporte (Fig. 12).

ADVERTENCIA

PELIGRO POTENCIAL

- Cuando la recortadora se usa para recortes decorativos, se pueden disparar objetos hacia el operador o las personas que estén cerca.

LO QUE PUEDE SUCCEDER

- Los objetos disparados podrían lesionar al operador o a las personas que estén cerca.

COMO EVITAR EL PELIGRO

- Al operar la recortadora siempre use gafas de seguridad o demás protección ocular idónea, pantalones largos y zapatos.
- Mantenga lejos de la zona de corte a las personas y animales domésticos.

Para Alargar La Línea De Corte

1. Para alargar la línea dé golpecitos firmes a la bobina sobre el suelo mientras sigue funcionando el motor. La línea será alimentada desde la bobina y será cortada a la longitud adecuada por la cuchilla cortadora que hay en el guardahierbas (Fig. 13).

No olvide tener la recortadora activada cuando alarga la línea. Sencillamente dé golpecitos a la recortadora contra el suelo; **no la mantenga sobre el suelo.**

Después de que salga la línea y antes de seguir recortando, espere hasta que oiga el corte de la línea.

Nota: para impedir que la línea se enrede, dé solamente un golpecito para alargar la línea. Si se precisa de línea adicional, espere unos segundos antes de volver a dar un golpecito al cabezal de la recortadora. No deje que la línea se desgaste de modo que quede demasiado corta. En cuanto sea posible, mantenga la longitud de la línea a pleno diámetro de corte.

2. Alargue la línea solamente cuando se ha acortado debido al desgaste. Si se alarga innecesariamente, sería un desperdicio.

Nota: es posible que la bobina se desgaste con el uso normal de la característica de avance de línea y podría precisarse del reemplazo ocasional. Hay bobinas de repuesto que puede obtener mediante el detallista de TORO. Vea los accesorios en la página 10.

Para Reemplazar La Línea De Corte

Puede comprar bobinas de repuesto embobinadas de parte del detallista de Toro de su localidad. La línea de corte que usa Toro está formulada especialmente para su recortadora. Es posible que otras líneas no den el mismo rendimiento de alta calidad.

PRECAUCION

PELIGRO POTENCIAL

- El uso de una línea que no sea la línea de corte de monofilamento apropiada podría causar lesiones personales.

LO QUE PUEDE SUCCEDER

- El alambre u otros materiales tipo cuerda podrían cortar la ropa, la piel, etc., y causar lesiones personales.

COMO EVITAR EL PELIGRO

- No use ningún tipo de alambre o demás substancia tipo cuerda.
- Use solamente la línea de corte de monofilamento de nylon de TORO de 1,65 mm (0,065 pulg.) de diámetro, con un máximo de 9 metros (30 pies).

ADVERTENCIA

PELIGRO POTENCIAL

- Cuando la recortadora está funcionando, el cabezal cortador está rotando.

LO QUE PUEDE SUCCEDER

- El contacto con el cabezal cortador cuando rota podría causar lesiones corporales.

COMO EVITAR EL PELIGRO

- Antes de poner la recortadora en posición invertida, asegúrese siempre de que el cabezal cortador se haya detenido completamente y que la recortadora esté desenchufada.
- Nunca active la recortadora cuando esté en posición invertida.

1. Desconecte la recortadora de la fuente de alimentación.

PRECAUCION

PELIGRO POTENCIAL

LO QUE PUEDE SUCCEDER

- El contacto con la cuchilla cortadora podría causar lesiones corporales.

COMO EVITAR EL PELIGRO

- Tenga cuidado al manejar el guardahierbas. Evite el contacto con la cuchilla cortadora.
- La cuchilla cortadora en el guardahierbas está afilada.

2. Para remover la bobina vacía, ponga la recortadora en posición invertida, ponga la mano sobre la bobina y oprima sobre las lengüetas a ambos lados de la tapa (Fig. 14).
3. Si queda línea en la bobina, sujete con una mano la punta libre de la línea para impedir que se deshaga el embobinado y con la otra mano sujete la bobina y sáquela junto con la tapa (Fig. 15).

Nota: si durante este procedimiento se cae el resorte del cabezal cortador, vuelva a instalar el resorte antes de volver a instalar la bobina y la tapa.

Nota: antes de volver a instalar la bobina, no olvide limpiar completamente el cabezal cortador y hacer una inspección visual por si hay piezas dañadas o desgastadas.

4. Desenrolle un máximo de 8 cm (3 pulgadas) de línea de la bobina nueva y sujete la línea y la bobina para que no se deshaga el embobinado.
5. Ponga la tapa sobre la bobina.
6. Pase la línea por el ojal metálico del cabezal cortador (Fig. 16) y sujete la línea con una mano mientras que con la otra coloca la bobina y la tapa sobre el resorte. Alinee las lengüetas de la tapa con las ranuras del cabezal cortador, oprima las lengüetas y empuje la tapa y la bobina hacia abajo para que la tapa se trabe en su sitio (Fig. 16).

Nota: es posible que haya que girar la bobina ligeramente para que quede completamente instalada.

PRECAUCION

PELIGRO POTENCIAL

- Una tapa o bobina mal instalada podría salir disparada de la recortadora.

LO QUE PUEDE SUCCEDER

- El contacto con una tapa o bobina lanzada podría causar lesiones al operador o a las personas que estén cerca.

COMO EVITAR EL PELIGRO

- Asegúrese de que la bobina y la tapa estén completamente afianzadas antes de operar la unidad.
- Mantenga lejos de la zona de corte a las personas y animales domésticos.

7. Si la línea se enreda o rompe en el ojal metálico, desenchufe la recortadora, remueva la bobina, vuelva a enhebrar la línea por el ojal y vuelva a ensamblar la bobina en la recortadora.

Rebobinado De Bobinas Vacías

Para rebobinar una bobina vacía, siga las medidas a continuación:

1. Engarce una punta de la línea dentro de la muesca de la bobina, **dejando que salga un máximo de 3 mm (1/8 de pulg.)**. Empuje la punta de línea completamente dentro de la punta de la muesca. Enrolle la línea en el sentido de la flecha de la bobina en hileras iguales entre los bordes de la bobina (Fig. 17).

Nota: la recortadora no funcionará bien si la línea se enrolla en el sentido contrario o si la punta de la línea sale más de 3 mm (1/8 de pulg.) del extremo interior de la muesca.

2. No enrosque la línea más allá de los bordes exteriores de la bobina; la recortadora no funcionará bien.

Mantenimiento

ADVERTENCIA

PELIGRO POTENCIAL

- Existe la posibilidad de que la recortadora se pueda arrancar por equivocación cuando el cable de extensión está enchufado en un tomacorrientes.

LO QUE PUEDE SUCEDER

- El arranque por equivocación podría causar lesiones corporales al operador o a las personas que estén cerca.

COMO EVITAR EL PELIGRO

- Cerciórese siempre de que la recortadora esté desenchufada y que el cabezal cortador haya dejado de rotar antes de intentar procedimientos de mantenimiento o reparación.

1. Para mantener limpio el exterior, sencillamente límpielo con un paño húmedo. **Nunca lo lave con un chorro de agua.**
2. Limpie o raspe el cabezal cortador y la parte de la bobina siempre que haya acumulación de mugre o recortes.
3. Revise y apriete todos los sujetadores. Si alguna pieza está dañada o se ha perdido, repárela o cámbiela.
4. Raspe los escombros que haya cerca de las tomas de aire a ambos lados de la caja del motor (Fig. 18).

Importante: al mantener las tomas de aire sin hierbas y escombros se impide que el motor se recaliente y haya un fallo posible.

Importante: para evitar daños al guardahierbas cuando almacene la recortadora, repose la recortadora sobre el cabezal cortador o la caja del motor o cuelgue la recortadora de la(s) manija(s). **NO REPOSE LA RECORTADORA SOBRE EL GUARDAHIERBAS COMO SE MUESTRA (Fig. 19). EL GUARDAHIERBAS PODRIA COMBARSE E INTERFERIR CON LA LINEA DE CORTE.**

5. Las demás operaciones de servicio deben ser efectuadas por un Concesionario de Servicio Toro Autorizado.

Accesorios

NUMEROS DE REPUESTOS	
BOBINA EMOBINADA	BOBINA VACIA
Modelo N. 88176	Pieza N. 73-8190

La promesa de Toro

Garantía total de dos años para uso residencial

Toro Company garantiza este producto por dos años contra defectos de material o mano de obra. Para obtener un reemplazo o la reparación, a opción de Toro, devuelva toda la unidad, con correo prepago, al distribuidor (concesionario) acompañada del comprobante de venta. Esta garantía cubre solamente los defectos del producto. **No cubre daños incidentales ni consecuentes.** Esta garantía le da derechos específicos y es posible que usted tenga otros derechos que varían de un país a otro. Si fallan todos los demás recursos, comuníquese con nosotros a: The Toro Company, Dreve Richelle 161, Batiment "C", 1410 Waterloo, Bélgica. (No envíe a esta dirección el producto defectuoso.)

Inhalt

	Seite
Einführung	1
Sicherheit	2
Symbolverzeichnis	4
Zusammenbau	5
Befestigung des Haltegriffs	5
Befestigung des Grasschilds	5
Vor dem Start	6
Schnittleine	6
Sicherung der Verlängerungsschnur	6
Betrieb	7
Verlängerung der Schnittleine	8
Austausch der Schnittleine	8
Zurückspulen leerer Spulen	10
Wartung	10
Zubehör	10
Die Toro-Garantie	11

Einführung

Vielen Dank, daß Sie ein Toro-Produkt gekauft haben.

Wir bei Toro möchten, daß Sie mit Ihrem neuen Produkt vollständig zufrieden sind. Zögern Sie also nicht, Ihren Toro-Vertragshändler für Wartungsarbeiten, echte Toro-Ersatzteile oder andere Informationen um Hilfe zu bitten.

Wenn Sie sich an Ihren Toro-Vertragshändler oder ans Werk wenden, geben Sie bitte immer Modell- und Seriennummer Ihres Produktes an. Diese Nummern helfen dem Händler bzw. Wartungstechniker, die exakten Informationen für Ihr jeweiliges Produkt zu beschaffen. Sie finden den Aufkleber mit der Modell- und Seriennummer an einer bestimmten Stelle am Produkt (Abb. 1).

Tragen Sie Modell- und Seriennummer des Produktes hier ein.

Modell- Nr. _____
Serien-Nr. _____

Lesen Sie sich diese Anleitung gründlich durch, um mit Bedienung und Wartung Ihres Produktes vertraut zu werden. Diese Anleitung hilft Ihnen und anderen bei der Vermeidung von Verletzungen und Schäden am Produkt. Obwohl Toro sichere, fortschrittliche Produkte konstruiert, herstellt und vertreibt, sind Sie selbst für den richtigen und sicheren Einsatz des Produktes verantwortlich. Sie sind auch verantwortlich für die Anleitung von Personen, denen Sie erlauben, das Produkt zu benutzen.

Das Toro-Warnsystem in dieser Anleitung kennzeichnet potentielle Risiken und umfaßt spezielle Sicherheitshinweise, die bei der Vermeidung von Verletzungen oder sogar Tod helfen. **GEFAHR**, **ACHTUNG** und **VORSICHT** sind Signalwörter, die den Gefahrengrad kennzeichnen. Ungeachtet der Gefahr sollten Sie auf jeden Fall immer sehr vorsichtig sein.

GEFAHR kennzeichnet eine extreme Gefahr, die schwerwiegende Verletzungen oder Tod verursachen kann, wenn die empfohlenen Vorsichtsmaßnahmen nicht befolgt werden.

ACHTUNG kennzeichnet eine Gefahr, die schwerwiegende Verletzungen oder Tod verursachen kann, wenn die empfohlenen Vorsichtsmaßnahmen nicht befolgt werden.


VORSICHT kennzeichnet eine Gefahr, die kleine oder mittlere Verletzungen verursachen kann, wenn die empfohlenen Vorsichtsmaßnahmen nicht befolgt werden.

Es werden noch zwei andere Wörter verwendet, um Informationen hervorzuheben. "Wichtig" steht bei speziellen mechanischen Informationen und

“Hinweis” hebt allgemeine Informationen hervor, denen besondere Aufmerksamkeit entgegengebracht werden sollte.

Sicherheit

WICHTIGE SICHERHEITSHINWEISE

Um maximale Sicherheit und optimale Leistung zu garantieren und mit dem Gerät vertraut zu werden, ist es unerlässlich, daß Sie oder ein anderer Anwender des Geräts den Inhalt dieser Anleitung durchlesen und verstehen, bevor das Gerät eingesetzt wird. Achten Sie besonders auf das Sicherheitssymbol , das VORSICHT, ACHTUNG ODER GEFAHR bedeutet. Lesen Sie die entsprechenden Hinweise, weil sie mit Ihrer Sicherheit zu tun haben. WENN DIESE ANLEITUNG NICHT BEACHTET WIRD, KANN ES ZU VERLETZUNGEN, FEUER ODER STROMSCHLÄGEN KOMMEN.

LESEN SIE SICH DIE GESAMTE ANLEITUNG DURCH, BEVOR DAS GERÄT EINGESETZT WIRD!

BEWAHREN SIE DIESE ANLEITUNG FÜR DIE ZUKUNFT AUF!

ACHTUNG—Um das Risiko für Feuer, Elektroschock und Verletzungen zu vermeiden, müssen diese Sicherheitsanweisungen befolgt werden.

1. Der Inhalt dieser Anleitung muß durchgelesen und verstanden werden, bevor das Gerät eingesetzt wird. Machen Sie sich mit allen Reglern und mit der Möglichkeit vertraut, wie das Gerät schnell abgestellt werden kann.

2. Halten Sie Personen, insbesondere Kinder, und Haustiere vom Arbeitsbereich fern. Lassen Sie das Gerät niemals von Kindern bedienen. Es ist kein Spielzeug. Lassen Sie niemals Erwachsene das Gerät bedienen, bevor sie sich die Gebrauchsanleitung durchgelesen haben.
3. Immer eine Schutzbrille oder einen anderen geeigneten Augenschutz tragen, wenn das Gerät zum Trimmen oder Kantenschneiden eingesetzt wird.
4. Niemals das Gerät unter feuchten Bedingungen einsetzen. **DAS GERÄT NICHT IM REGEN EINSETZEN.**
5. Gründlich den Bereich untersuchen, in dem das Gerät eingesetzt werden soll. Alle Gegenstände aufsammeln, die sich im Gerät verfangen könnten oder vom Gerät aufgehoben und weggeschleudert werden könnten. Den Einsatzbereich frei von Personen, insbesondere Kindern, und Haustieren halten.
6. Ziehen Sie sich für die Arbeit richtig an! Keine lose Kleidung oder Schmuck tragen, die sich in Maschinenteilen verfangen könnten. Lange Haare hochstecken, damit sie nicht in den Lufteinlaß des Geräts gezogen werden können. Immer festes Schuhwerk und lange Hosen tragen.
7. Das richtige Gerät verwenden—Das Gerät nicht für Arbeiten verwenden, für die es nicht vorgesehen ist, d.h. heißt nur zum Schneiden von Gras und kleinen Pflanzen.
8. Um das Stromschlagrisiko zu verringern nur eine für den Einsatz im Freien empfohlene Verlängerungsschnur verwenden. Beschädigte Verlängerungsschnüre sofort austauschen.
9. Verlängerungsschnur—Um zu verhindern, daß sich das Gerät während des Betriebs von der Verlängerungsschnur löst, muß die Schnur vor Beginn der Arbeit fest angebracht werden.
10. Ungewollten Start vermeiden. Darauf achten, daß der Schalter aus ist, wenn der Stecker eingesteckt wird. Beim Tragen eines angeschlossenen Geräts nicht den Finger am Schalter halten.

11. Vor Herausziehen des Steckers alle Regler ausschalten.
12. Stecker oder Gerät nicht mit feuchten Händen oder mit den Füßen im Wasser anfassen.
13. Das Gerät nicht mit beschädigter Schnur oder Stecker betreiben. Wenn das Gerät nicht so arbeitet, wie es sollte, heruntergefallen, beschädigt, im Freien gelassen oder ins Wasser gefallen ist, muß es zu einem Toro-Vertragshändler zurückgebracht werden.
14. Die Schnur vorsichtig behandeln. Das Gerät nicht an der Schnur ziehen oder tragen, die Schnur nicht in Türen einklemmen und nicht um scharfe Ecken ziehen. Die Schnur nicht als Griff verwenden. Zum Herausziehen des Steckers nicht an der Schnur ziehen, sondern am Stecker selbst.
15. Die Schnur von starker Hitze, Öl und scharfen Kanten fernhalten. Beschädigte Schnüre müssen ausgetauscht werden.
16. Das Gerät nicht überfordern. Es arbeitet besser und sicherer bei der Leistungsrate, für die es konstruiert wurde.
17. Das Gerät nur bei Tageslicht oder gutem künstlichem Licht einsetzen. Immer auf die Füße achten. Immer den Griff fest fassen und gehen, nicht laufen.
18. Den Motor stoppen und den Stecker herausziehen, wenn das Gerät unbeaufsichtigt bleibt, bevor das Gehäuse gereinigt wird und wenn Reparaturen oder Inspektionen durchgeführt werden.
19. Wenn es nicht im Einsatz ist, das Gerät an einem trockenen Platz aufbewahren; hoch oder verschlossen außerhalb der Reichweite von Kindern.
20. Alle Befestigungsteile fest halten, um sicherzustellen, daß das Gerät in sicherem Betriebszustand bleibt.
21. Sicherstellen, daß Spule und Kappe vor dem Betrieb sicher befestigt sind.
22. Das Gerät niemals ohne werksinstallierte oder andere Schutzvorrichtungen betreiben.
23. Hände und Füße nicht neben oder unter rotierende Teile halten. Immer Abstand zum Gerät halten.
24. Sollte das Gerät beginnen, ungewöhnlich zu vibrieren, den Motor abstellen, den Stecker herausziehen und sofort die Ursache ausfindig machen. Vibrationen sind gewöhnlich ein Anzeichen eines Defekts.
25. Das Gerät nicht betreiben, wenn es heruntergefallen oder beschädigt worden ist, sondern für Inspektion und Reparatur zum nächsten Toro-Vertragshändler zurückbringen.
26. Bei Wartungsarbeiten nur echte TORO-Ersatzteile verwenden. Beschädigte Schnüre müssen repariert oder ausgetauscht werden.
27. Nicht vorbeugen—Behalten Sie bei Einsatz des Geräts immer eine sichere Fußstellung und das Gleichgewicht.
28. Das Gerät sorgsam behandeln—Den Schneidkopf und das Motorgehäuse für optimale Leistung und zur Reduzierung des Verletzungsrisikos sauber halten. Die Wartungsanweisungen auf Seite 9 befolgen.
29. **VORSICHT**—Das Schnittmesser am Grasschild ist scharf und sollte bei Reinigung und Handhabung vorsichtig angefaßt werden.
30. **ERFORDERLICHE VERLÄNGERUNGSSCHNUR**—Eine Verlängerungsschnur für den Gebrauch im Freien verwenden, die die jeweils geltenden Bestimmungen erfüllt. Darauf achten, daß die Schnur in gutem Zustand ist; beschädigte Schnüre austauschen. Eine Schnur verwenden, die stark genug ist, um den Strom auszuhalten, den das Gerät benötigt.

Zum Anschluß der Schnur siehe Abbildung 7.

Hinweis: Die Verwendung einer Verlängerungsschnur über 150 Fuß wird nicht empfohlen.

Mit EEG-Zertifikat Nr. 10

Geräuschemission

Die maximale Luftschallemission des Gerätes, unter Zugrundelegung von Messungen an baugleichen Maschinen, beträgt

70 dB(A)

Vibrationsintensität

Die maximale Vibrationsintensität des Gerätes beträgt 2.5 m/s^2 , unter Zugrundelegung von Messungen an baugleichen Maschinen.

Symbolverzeichnis

Gefahrzeichen – das im Dreieck dargestellte Symbol weist auf eine Gefahr hin



Gefahrzeichen



Bediener-Handbuch lesen



Zur richtigen Durchführung von Wartungsarbeiten im technischen Handbuch nachsehen



Sicherheitsvorrichtungen nicht öffnen oder entfernen während der Motor läuft



Weggeschleuderte bzw. hochfliegende Gegenstände – Gefahr für den ganzen Körper



Trocken halten



Stromschlaggefahr



Verletzungsgefahr für Finger und Hände



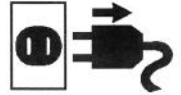
Verletzungsgefahr für Füße



Schutzbrille tragen



Stecker ziehen



Umstehende fern halten



Zusammenbau

Hinweis: Das vollständig zusammengebaute Gerät sollte aussehen wie in Abbildung 1.

Befestigung des Haltegriffs

1. Den Haltegriff mit der glatten Seite in Richtung oberen Griff auf das Rohr schieben. Den Haltegriff lose mit Rahmenschraube und Knopf befestigen (Abb. 2).

Hinweis: Die Haltegriffhöhe läßt sich verstellen, indem der Griff am Rohr nach oben oder unten geschoben wird. Wenn der Haltegriff in der gewünschten Position ist, die Knopf sicher festziehen.

Befestigung des Grasschilds

VORSICHT

POTENTIELLE GEFAHR

- Das Schnittmesser am Grasschild ist scharf.

WAS PASSIEREN KANN

- Kontakt mit dem Schnittmesser kann Verletzungen verursachen.

WIE DIE GEFAHR VERMIEDEN WIRD

- Bei der Handhabung des Schilds vorsichtig sein. Kontakt mit dem Schnittmesser vermeiden.

1. Den Grasschild in den langen, gebogenen Schlitz im Motorgehäuse stecken (Abb. 3).
2. Das Gerät umdrehen und den Grasschild mit (2) zwei Schneidschrauben an der Unterseite des Motorgehäuses befestigen (Abb. 4).
3. Das Klebeband vom Schnittmesser am Grasschild entfernen (Abb. 5).

Vor dem Start

Schnittleine

Hinweis: Die Schnittleine für Ihr Gerät ist eine spezielle Monofilleine. Das Gerät wird komplett mit einem Vorrat dieser Leine geliefert, die bereits um die Spule gewickelt ist.

1. Um zu verhindern, daß sich die Leine während der Lieferung verfängt, wurde die Spitze der Leine mit Klebeband am Schnittkopf befestigt. **Das Klebeband muß vor dem Einsatz entfernt werden** (Abb. 6).
2. Die Kappe überprüfen, um sicherzustellen, daß sie sicher an ihrem Platz eingerastet ist. Die Kappenansätze auf die Schlitze im Schnittkopf ausrichten und hereindrücken und Kappe und Spule herunterdrücken, um die Kappe an ihrem Platz einzurasten (Abb. 16).

VORSICHT

POTENTIELLE GEFAHR

- Die Kappe kann sich während der Lieferung lösen. Eine lose oder falsch angebrachte Kappe oder Spule kann vom Gerät abfliegen.

WAS PASSIEREN KANN

- Kontakt mit einer abgeschleuderten Spule oder Kappe kann Verletzungen des Anwenders oder umstehender Personen verursachen.

WIE DIE GEFAHR VERMIEDEN WIRD

- Sicherstellen, daß Spule und Kappe fest sitzen, bevor das Gerät in Betrieb genommen wird. Die Spule austauschen, falls sie beschädigt ist, oder wenn die Kappe nicht sicher auf dem Schneidkopf einrastet.
- Umstehende Personen und Haustiere vom Arbeitsbereich fernhalten.

Sicherung der Verlängerungsschnur

Hinweis: Für sicheren und wirkungsvollen Einsatz Ihres Toro-Trimmers ist die richtige Verlängerungsschnur unerlässlich. Es dürfen nur Verlängerungsschnüre verwendet werden, die für den Gebrauch im Freien empfohlen werden.

1. Die Verlängerungsschnur in den Gerätestecker stecken (Abb. 7).
2. Eine Schleife in die Verlängerungsschnur schlagen und in den Schlitz hinten im oberen Griff stecken (Abb. 7).
3. Die Verlängerungsschnur wie in Abbildung 7 gezeigt in der Schnursperre sichern.

WARNUNG

POTENTIELLE GEFAHR

- Niemals eine beschädigte Schnur verwenden.

WAS PASSIEREN KANN

- Eine beschädigte Schnur kann Stromschläge oder Feuer verursachen.

WIE DIE GEFAHR VERMIEDEN WIRD

- Vor Einsatz des Geräts die Schnur gründlich untersuchen. Wenn die Schnur beschädigt ist, darf das Gerät nicht betrieben werden. Die Schnur muß sofort repariert oder ausgetauscht werden. Unterstützung erhalten Sie bei Ihrem TORO-Vertragshändler.

Betrieb

WARNUNG

POTENTIELLE GEFAHR

- **Bei Betrieb können vom Gerät Gegenstände aufgeworfen werden.**

WAS PASSIEREN KANN

- **Aufgeworfene Gegenstände können Verletzungen des Anwenders oder umstehender Personen verursachen.**

WIE DIE GEFAHR VERMIEDEN WIRD

- **Immer eine Schutzbrille oder einen anderen geeigneten Augenschutz, lange Hosen und Schuhe tragen, wenn das Gerät betrieben wird.**
- **Menschen und Haustiere vom Arbeitsbereich fernhalten.**

Der Trimmer schneidet Gras und kleine Pflanzen an schwer zu erreichenden Stellen. Während der ersten Einsätze wird es sehr wahrscheinlich zu Leinenrissen kommen. Wenn Sie die Trimmtechniken gelernt haben, können Sie Bereiche um Bäume, Sträucher, Grundmauern, Zäune, Bürgersteige, Innenhöfe usw. herum mit minimalem Leinenverschleiß oder Leinenrissen schneiden.

1. Den Arbeitsbereich auf Drähte, Schnüre oder ähnliches untersuchen, die sich in der rotierenden Leine verfangen könnten. Außerdem alle Gegenstände aufheben, die vom Gerät aufgeworfen werden könnten.
2. Die Verlängerungsschnur so legen, daß sie nicht im Weg ist und nicht geknickt oder verwickelt wird.
3. Nur trockenes Gras bzw. Pflanzen trimmen.
4. Das Gerät langsam bewegen und in der gewünschten Schnitthöhe halten. Es kann eine Vorwärts-Rückwärts-Bewegung oder eine Seite-an-Seite-Bewegung durchgeführt werden (Abb. 8 & 9).

5. Zum Schneiden von über acht Inch hohem Gras oder kleinen Pflanzen sollte in kleinen Abstufungen von oben nach unten gearbeitet werden, um vorzeitigen Leinenverschleiß zu vermeiden.
6. **DAS GERÄT NICHT ÜBERFORDERN.** Die Schneidarbeit sollte von der äußersten *Spitze* der Nylonleine übernommen werden (insbesondere entlang von Wänden) (Abb. 10). Wenn mit mehr als der Spitze geschnitten wird, wird die Schnittwirksamkeit reduziert und der Motor überlastet.

Die Spitze der Schnittleine nutzt sich während des Betriebs ab und bewirkt eine Verkleinerung der Schwaden. Wenn die Leine nicht von Zeit zu Zeit vorgezogen wird, nutzt sie sich bis auf die Metallöse ab. Wenn das Gerät abgestellt wird, neigt die Leine dazu, sich zu **entspannen und kann in den Schnitkopf gezogen werden**. Sollte das passieren, die Spule entfernen, die Leine wieder durch die Metallöse führen und die Spule wieder am Gerät anbringen.

7. Die Lebensdauer der Schnittleine hängt davon ab, inwieweit die obenstehenden Arbeitstechniken befolgt werden, sowie davon, was geschnitten wird und wo geschnitten wird. Zum Beispiel nutzt sich die Leine bei Arbeiten an Grundmauern schneller ab als an Bäumen.

Zu Leinenrissen kommt es, wenn das Gerät zu schnell bewegt wird, wenn sich die Leine in Fremdkörpern verfängt, durch normale Leitungsabnutzung und durch Versuche, dicke, hohe Pflanzen zu schneiden, wobei die Kapazität des Geräts überschritten wird. Da sich die Schnittleine abnutzt, sollte sie für optimale Leistung wie unter "Verlängerung der Schnittleine" beschrieben verlängert werden.

8. **Beim Trimmen NIEMALS die Trimmerspule auf dem Boden schleifen lassen (Abb. 11). Dadurch wird der Motor überlastet und die Spule verschleißt.**
9. Nach jedem Einsatz etwas Leine herausziehen, um zu verhindern, daß sich die Leine in den Schnitkopf zurückzieht.

10. Der Trimmer kann als Kantenschneider verwendet werden, indem der Haltegriff um 180° gedreht wird (Abb. 12).

WARNUNG

POTENTIELLE GEFAHR

- **Wenn das Gerät als Kantenschneider eingesetzt wird, können Gegenstände in die Richtung des Anwenders oder umstehender Personen aufgeworfen werden.**

WAS PASSIEREN KANN

- **Aufgeworfene Gegenstände können Verletzungen des Anwenders oder umstehender Personen verursachen.**

WIE DIE GEFAHR VERMIEDEN WIRD

- **Bei der Arbeit mit dem Gerät immer eine Schutzbrille oder einen anderen geeigneten Augenschutz, lange Hosen und Schuhe tragen.**
- **Menschen und Haustiere vom Arbeitsbereich fernhalten.**

Verlängerung der Schnittleine

1. Zur Verlängerung der Leine die Spule fest auf den Boden klopfen, während der Motor weiter läuft. Die Leine spult von der Spule ab und wird vom Schnittmesser, das am Schild befestigt ist, auf die richtige Länge zugeschnitten (Abb. 13).

Nicht vergessen, das Gerät eingeschaltet zu lassen, wenn die Leine verlängert wird. Das Gerät nur auf den Boden klopfen, **nicht auf dem Boden festhalten**. Wenn die Leine herausgespult ist, warten, bis das Geräusch hörbar ist, das anzeigt, daß die Leine auf die richtige Länge zugeschnitten worden ist, bevor mit der Arbeit fortgefahren wird.

Hinweis: Um zu verhindern, daß sich die Leine verfängt, zur Verlängerung der Leine nur einmal klopfen. Wenn mehr Leine

notwendig ist, einige Sekunden warten, bevor der Trimmerkopf erneut aufgeklopft wird. Darauf achten, daß die Leine nicht zu kurz wird. Die Länge der Leine so weit wie möglich bei vollem Schnittdurchmesser halten.

2. Die Leine nur verlängern, wenn sie sich durch Verschleiß verkürzt hat. Durch unnötiges Verlängern wird die Leine verschwendet.

Hinweis: Die Spule kann sich während des normalen Betriebs der Leinenvorspulvorrichtung abnutzen und muß u.U. von Zeit zu Zeit ausgetauscht werden. Ersatzspulen sind beim TORO-Händler erhältlich. Für Zubehör siehe Seite 10.

Austausch der Schnittleine

Ersatzspulen mit Leine sind beim Toro-Händler erhältlich. Die von Toro verwendete Schnittleine wird speziell für Ihren Trimmer angefertigt. Andere Leinen bringen u.U. nicht die gleichen Resultate.

VORSICHT

POTENTIELLE GEFAHR

- **Die Verwendung von anderen Leinen kann Verletzungen verursachen.**

WAS PASSIEREN KANN

- **Draht oder ähnliche Gegenstände können durch Kleidung, Haut usw. schneiden und Verletzungen verursachen.**

WIE DIE GEFAHR VERMIEDEN WIRD

- **Keinen Draht oder ähnliche Gegenstände verwenden.**
- **Nur TORO-Nylon-Monofil-Schnittleine mit 0.065" Durchmesser bis maximal 30 Fuß verwenden.**

WARNUNG

POTENTIELLE GEFAHR

- Wenn das Gerät in Betrieb ist, dreht sich der Schnittkopf.

WAS PASSIEREN KANN

- Kontakt mit dem rotierenden Schnittkopf kann Verletzungen verursachen.

WIE DIE GEFAHR VERMIEDEN WIRD

- Immer darauf achten, daß der Schnittkopf vollständig stillsteht und der Stecker herausgezogen ist, bevor das Gerät umgedreht wird.
- Niemals das Gerät aktivieren, wenn es umgedreht ist.

1. Den Stecker aus der Steckdose ziehen.

VORSICHT

POTENTIELLE GEFAHR

- Das Schnittmesser am Grasschild ist scharf.

WAS PASSIEREN KANN

- Kontakt mit dem Schnittmesser kann Verletzungen verursachen.

WIE DIE GEFAHR VERMIEDEN WIRD

- Beim Herausnehmen der Spule vorsichtig vorgehen. Kontakt mit dem Schnittmesser vermeiden.

2. Zum Herausnehmen der leeren Spule das Gerät umdrehen, eine Hand über die Spule halten und die Ansätze an jeder Seite der Kappe hereindrücken (Abb. 14).
3. Wenn Leine auf der Spule ist, das freie Ende der Leine mit einer Hand halten, um zu verhindern, daß sich die Spule abspult, und mit der anderen Hand die Spule greifen und Spule und Kappe zusammen herunterheben (Abb. 15).

Hinweis: Wenn während dieses Verfahrens die Feder aus dem Schnittkopf fällt, muß sie vor Installation von Spule und Kappe wieder angebracht werden.

Hinweis: Vor Installation der Spule den Schnittkopf gründlich reinigen und auf beschädigte oder abgenutzte Teile untersuchen.

4. Nicht mehr als drei Inch der Leine von der neuen Spule abwickeln und Leine und Spule halten, damit sie sich nicht abspult.
5. Die Kappe auf die Spule setzen.
6. Die Leine in die Metallöse im Schnittkopf einführen (Abb. 16) und mit einer Hand halten, während mit der anderen Hand Spule und Kappe auf die Feder gesetzt werden. Die Kappenansätze auf die Schlitze im Schnittkopf ausrichten und hereindrücken und Kappe und Spule herunterdrücken, bis die Kappe an ihrem Platz einrastet (Abb. 16).

Hinweis: Unter Umständen muß die Spule etwas gedreht werden, um vollständig installiert werden zu können.

VORSICHT

POTENTIELLE GEFAHR

- Eine falsch installierte Kappe oder Spule kann vom Gerät abfliegen.

WAS PASSIEREN KANN

- Kontakt mit einer abgeworfenen Spule oder Kappe kann Verletzungen des Anwenders oder umstehender Personen verursachen.

WIE DIE GEFAHR VERMIEDEN WIRD

- Darauf achten, daß Spule und Kappe sicher angebracht sind, bevor das Gerät in Betrieb genommen wird. Die Spule austauschen, wenn sie beschädigt ist oder wenn die Kappe nicht sicher am Schnittkopf einrastet.
- Umstehende Personen und Haustiere vom Arbeitsbereich fernhalten.

7. Wenn sich die Leine verfängt oder an der Metallöse reißt, den Stecker herausziehen, die Spule herausnehmen, die Leine wieder durch die Öse ziehen und die Spule wieder am Gerät anbringen.

Zurückspulen leerer Spulen

Zum Zurückspulen einer leeren Spule folgende Schritte durchführen:

1. Ein Ende der Leine in den Schlitz an der Spule haken und **nicht mehr als 1/8" vorstehen lassen. Das Ende der Leine ganz bis zum inneren Ende des Schlitzes schieben.** Die Leine in Pfeilrichtung in gleichmäßigen Windungen zwischen den Spulenflänschen um die Spule wickeln (Abb. 17).

Hinweis: Das Gerät arbeitet nicht richtig, wenn die Leine in der falschen Richtung aufgewickelt wird oder wenn das Leinenende mehr als 1/8" am inneren Schlitzende vorsteht.

2. Die Leine nicht über die äußeren Spulenkanten wickeln, weil sonst das Gerät nicht richtig funktioniert.

Wartung

WARNUNG

POTENTIELLE GEFAHR

- Es besteht die Möglichkeit, daß das Gerät ungewollt startet, wenn die Verlängerungsschnur in eine Steckdose eingesteckt ist.

WAS PASSIEREN KANN

- Unbeabsichtigter Start kann Verletzungen des Anwenders oder umstehender Personen verursachen.

WIE DIE GEFAHR VERMIEDEN WIRD

- Immer sicherstellen, daß der Stecker herausgezogen ist und der Schnitkopf vollständig stillsteht, bevor Wartungsarbeiten oder Reparaturen versucht werden.

1. Um das Gerät außen sauber zu halten, kann es mit einem feuchten Lappen abgewischt werden. **Niemals das Gerät mit einem Schlauch abspritzen.**
2. Schnitkopf und Spulenbereich abwischen oder sauberkratzen, wenn sich Schmutz- oder Mähgutablagerungen gebildet haben.
3. Alle Befestigungsteile überprüfen und festziehen. Beschädigte oder verlorene Teile reparieren oder austauschen.
4. Fremdkörper an beiden Seiten des Motorgehäuses von den Lufteinlaßöffnungen abkratzen (Abb. 18).

Wichtig: Wenn die Lufteinlaßöffnungen frei von Gras und Fremdkörpern gehalten werden, wird Motorüberhitzung und möglicher Motorschaden verhindert.

Wichtig: Um bei der Lagerung des Geräts eine Beschädigung des Schilds zu vermeiden, das Gerät auf dem Schnitkopf oder dem Motorgehäuse abstellen oder am Griff aufhängen. **DAS GERÄT NICHT WIE GEZEIGT AUF DEM GRASSCHILD ABSTELLEN (Abb. 19). DER GRASSCHILD KANN SICH VERZIEHEN UND DIE SCHNITTELEINE BEHINDERN.**

5. Alle anderen Wartungsarbeiten sollten von einem Toro-Vertragshändler vorgenommen werden.

Zubehör

ERSATZTEILENUMMERN	
SPULE MIT LEINE	LEERE SPULE
Modell Nr. 88176	Teil Nr. 73-8190

Die Toro-Garantie

Volle zwei Jahre Garantie bei privatem Einsatz

Toro gibt auf dieses TORO-Produkt volle zwei Jahre Garantie gegen Schäden von Material und Verarbeitung. Für Ersatz oder Reparatur – worüber Toro entscheidet – schicken Sie einfach das komplette Gerät (Vorauszahlung der Versandgebühren) zusammen mit dem Kaufnachweis an den Händler zurück. Diese Garantie deckt nur Produktschäden ab. **Sie deckt keine Neben- oder Folgeschäden ab.** Diese Garantie verleiht Ihnen spezielle Rechte. Daneben können Sie noch weitere Rechte haben, die von Land zu Land verschieden sind. Falls alle Maßnahmen zu nichts führen, können Sie sich direkt an Toro wenden: Toro Company, Dreve Richelle 161, Batiment "C", 1410 Waterloo, Belgien. (Keine defekten Produkte an diese Adresse schicken.)

Indice

	Pagina
Introduzione	1
Sicurezza	2
Glossario dei simboli	4
Montaggio	5
Montaggio dell'impugnatura di supporto .	5
Montaggio del paraerba	5
Prima di iniziare	6
Filo di taglio	6
Fissaggio della prolunga	6
Funzionamento	7
Allungamento del filo di taglio	8
Sostituzione del filo di taglio	8
Riavvolgimento di bobine vuote	10
Manutenzione	10
Accessori	11
La promessa della Toro	11

Introduzione

Grazie per avere acquistato un prodotto Toro.

Tutti noi alla Toro vogliamo che siate assolutamente soddisfatti del vostro nuovo prodotto, quindi non esitate a contattare il vostro Centro di Assistenza Autorizzato per richiedere assistenza, parti Toro originali o altre informazioni di cui possiate avere bisogno.

Ogni volta che contattate il Vostro Centro di Assistenza Autorizzato o la fabbrica, indicate sempre il numero di modello e di serie del Vostro prodotto. Questi numeri aiuteranno il Centro di Assistenza o il Responsabile dell'Assistenza a fornire informazioni esatte sul Vostro prodotto specifico. Troverete la decalcomania con il numero di modello e di serie in un unico posto sul prodotto (Fig. 1).

Per Vostra comodità scrivete il numero del modello e di serie del prodotto nello spazio seguente.

No. modello	
No. di serie	

Leggete attentamente questo manuale per imparare a fare funzionare il Vostro prodotto e ad eseguirne la manutenzione in maniera corretta. La lettura di questo manuale aiuterà Voi ed altri a evitare lesioni personali e danni al prodotto. Anche se la Toro progetta, produce e commercializza prodotti sicuri e all'avanguardia, la responsabilità per un uso corretto e sicuro del prodotto è Vostra. Vostra è anche la responsabilità nell'istruire le persone a cui permettete di usare il prodotto ad un funzionamento sicuro.

Il sistema di avvertimento di potenziali pericoli della Toro in questo manuale identifica i rischi potenziali e comprende messaggi speciali relativi alla sicurezza che aiutano Voi e altri ad evitare lesioni personali e addirittura la morte. **PERICOLO**, **AVVERTENZA** e **ATTENZIONE** sono parole chiave usate per identificare il livello di rischio. Comunque, indipendentemente dal rischio, prestate estrema attenzione.

PERICOLO segnala un rischio estremo che provocherà lesioni gravi o la morte se non vengono rispettate le precauzioni raccomandate.


AVVERTENZA segnala un rischio che può provocare lesioni gravi o la morte se non vengono rispettate le precauzioni raccomandate.

ATTENZIONE segnala un rischio che può provocare lesioni minime o modeste se non vengono rispettate le precauzioni raccomandate.

Per evidenziare le informazioni vengono usate anche altre due parole. "Importante" richiama l'attenzione su informazioni meccaniche particolari e "Nota" sottolinea informazioni generali a cui va prestata particolare attenzione.

Sicurezza

ISTRUZIONI IMPORTANTI RELATIVE ALLA SICUREZZA

Per assicurare la massima sicurezza e il miglior rendimento e per imparare a conoscere l'apparecchio, è essenziale che Voi, o chiunque faccia funzionare l'apparecchio, leggete e comprendiate il contenuto di questo manuale prima di farlo funzionare. Prestate particolare attenzione al simbolo di avvertimento in materia di sicurezza  che significa ATTENZIONE, AVVERTENZA O PERICOLO — "istruzione relativa alla sicurezza personale." Leggete e assicuratevi di comprendere bene l'istruzione perché ha a che fare con la sicurezza. L'INOSSERVANZA DELL'ISTRUZIONE PUO' COMPORTARE LESIONI PERSONALI, RISCHIO DI INCENDIO O DI SCOSSA ELETTRICA.

LEGGETE TUTTE LE ISTRUZIONI PRIMA DI USARE QUESTO APPARECCHIO

CONSERVATE QUESTE ISTRUZIONI PER CONSULTARLE IN FUTURO!

ATTENZIONE —Per ridurre il rischio di incendio, scossa elettrica o lesioni, seguite queste istruzioni relative alla sicurezza.

1. Leggete e assicuratevi di avere compreso bene il contenuto di questo manuale prima di fare funzionare il tagliabordi. Imparate a conoscere bene tutti i comandi e come arrestarlo rapidamente.
2. Tenete tutti, in particolare i bambini e gli animali domestici, lontani dalla zona in cui operate. Non permettete mai ai bambini di far funzionare l'apparecchio. Non è un giocattolo. Non

permettete mai agli adulti di far funzionare l'apparecchio senza prima avere letto le Istruzioni per l'Uso.

3. Indossate sempre occhiali di protezione o un'altra adeguata protezione per gli occhi quando il tagliabordi viene usato per tosare l'erba o per bordure decorative.
4. Non fate mai funzionare l'apparecchio in condizioni di bagnato o di umidità **NON USATELO SOTTO LA PIOGGIA.**
5. Ispezionate accuratamente la zona in cui verrà usato il tagliabordi. Raccogliete eventuali detriti od oggetti che potrebbero rimanere impigliati nel tagliabordi o essere raccolti e lanciati in aria dal tagliabordi. Tenete la zona sgombera dalle persone, in particolare dai bambini piccoli e dagli animali domestici.
6. Vestitevi in modo adeguato. Non indossate vestiti larghi o gioielli che possono impigliarsi nelle parti in movimento. Puntate o raccogliete i capelli lunghi in modo che non possano essere aspirati nella presa d'aria dell'apparecchio. Indossate sempre delle calzature solide e pantaloni lunghi.
7. Usate l'apparecchio giusto—Non usate l'apparecchio per lavori diversi da quelli per cui è stato previsto, cioè tagliare erba e piccole erbacee.
8. Per ridurre il rischio di scossa elettrica, usate soltanto una prolunga raccomandata per uso esterno. Sostituite immediatamente una prolunga danneggiata.
9. Prolunga—Per evitare che il tagliabordi si stacchi dalla prolunga durante il funzionamento, collegate correttamente la prolunga prima di farlo funzionare.
10. Evitate l'avviamento involontario. Assicuratevi che l'interruttore sia spento quando inserite la spina. Non trasportate il tagliabordi con la spina inserita tenendo il dito sull'interruttore.
11. Spegnete tutti i comandi prima di staccare il cavo dalla presa.

12. Non maneggiate la spina o l'apparecchio con le mani bagnate o stando in piedi nell'acqua.
 13. Non usate l'apparecchio con un cavo o una spina danneggiata. Se l'apparecchio non funziona come dovrebbe, è stato fatto cadere, danneggiato, lasciato fuori o fatto cadere nell'acqua, portatelo in un Centro di Assistenza Autorizzato Toro.
 14. Non strapazzate il cavo. Non tirate né trasportate l'apparecchio per il cavo, non chiudete una porta sul cavo né tirate il cavo intorno a bordi taglienti o angoli. Non usate il cavo come maniglia. Non disinserite la spina dell'apparecchio dalla presa tirando il cavo. Per disinserirlo dalla presa, afferrate la spina, non il cavo.
 15. Tenete il cavo lontano da forte calore, olio e bordi taglienti. Sostituite i cavi danneggiati.
 16. Non sforzate il tagliabordi. Funziona meglio e in modo più sicuro alla velocità per la quale è stato progettato.
 17. Usatelo soltanto alla luce del giorno o con buona luce artificiale. Il Vostro passo deve essere sempre sicuro. Tenete saldamente l'impugnatura e camminate, non correte mai.
 18. Arrestate il motore e staccate il cavo di alimentazione dalla presa ogni volta che lasciate l'apparecchio, prima di pulire il corpo e quando effettuate eventuali riparazioni o controlli.
 19. Quando non lo usate, riponete il tagliabordi in un luogo asciutto; in alto o sotto chiave fuori dalla portata dei bambini.
 20. Tenete serrati tutti i dispositivi di fissaggio per assicurare che l'apparecchio sia in condizioni di funzionamento sicure.
 21. Assicuratevi che la bobina e la cuffia di protezione siano fissate correttamente prima di far funzionare l'apparecchio.
 22. Non fate mai funzionare l'apparecchio senza le protezioni installate in fabbrica o altri dispositivi di sicurezza protettivi.
 23. Non mettete le mani o i piedi vicino o sotto le parti rotanti. Statene sempre lontani.
 24. Se l'apparecchio dovesse iniziare a vibrare in modo anomalo, arrestate il motore, togliete il cavo dalla presa e verificatene immediatamente la causa. La vibrazione indica generalmente la presenza di problemi.
 25. Non fate funzionare l'apparecchio dopo che è stato fatto cadere o danneggiato. Riportatelo al Vostro Centro di Assistenza Autorizzato Toro più vicino per un controllo o una riparazione.
 26. Per l'assistenza usate soltanto parti di ricambio TORO identiche. Sostituite o riparate i cavi danneggiati.
 27. Non allungatevi troppo—Mantenete sempre un punto di appoggio saldo e un equilibrio corretto quando fate funzionare il tagliabordi.
 28. Eseguite sempre un'accurata manutenzione dell'apparecchio—Tenete pulite la testina di taglio e il corpo del motore per avere un ottimo rendimento e per ridurre il rischio di lesioni. Seguite le Istruzioni relative alla manutenzione a pagina 9.
 29. **ATTENZIONE**—Il coltello di taglio sul paraerba è affilato. Procedere con la massima attenzione quando lo si pulisce o lo si maneggia.
 30. **REQUISITI DELLA PROLUNGA**—Usate una prolunga adatta per uso esterno che sia conforme ai requisiti specificati nelle norme elettriche del Vostro paese. Assicuratevi che la prolunga sia in buone condizioni; se è danneggiata, sostituirla. Usate una prolunga abbastanza grossa per condurre la corrente assorbita dal tagliabordi.
- V. Figura 7 per il collegamento corretto della prolunga.
- Nota:** Si sconsiglia l'uso di una prolunga di oltre 150 piedi (45 metri) di lunghezza.

Certificato a norma CEE 10

Emissioni sonore

Questo tosaerba presenta un'emissione massima di rumore basata sulla misurazione di macchine identiche.

70 dB(A)

Livello di vibrazioni

Questo tosaerba presenta un livello massimo di vibrazioni 2.5 m/s² basato sulla misurazione di macchine identiche.

Glossario dei simboli

Triangolo allarme di sicurezza – il simbolo all'interno del triangolo indica un pericolo



Allarme di sicurezza



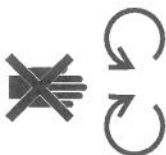
Leggere il manuale d'uso



Consultare il manuale tecnico per apprendere le operazioni di servizio appropriate



Non aprire o togliere i pannelli di sicurezza a motore acceso



Oggetti scagliati o espulsi – Esposizione di tutto il corpo



Mantenere asciutto



Scossa elettrica/elettrocuzione



Taglio delle dita o della mano



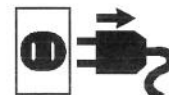
Taglio del piede



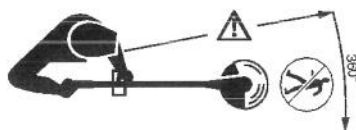
Indossate protezione
per gli occhi



Staccare
l'alimentazione
elettrica



Mantenete le persone
a distanza



Montaggio

Nota: Una volta montato completamente, il tagliabordi dovrebbe apparire come illustrato nella Figura 1.

Montaggio dell'impugnatura di supporto

1. Premete l'impugnatura di supporto sul tubo con il lato liscio dell'impugnatura di supporto rivolto verso l'impugnatura superiore. Fissate in modo lasco l'impugnatura di supporto al tubo con la vite del telaio e il manopola (Fig. 2).

Nota: L'altezza dell'impugnatura di supporto può essere regolata facendo scorrere l'impugnatura in alto e in basso lungo il tubo. Quando l'impugnatura di supporto è all'altezza di funzionamento desiderata, serrate a fondo il manopola.

Montaggio del paraerba

! ATTENZIONE

RISCHIO POTENZIALE

- Il coltello di taglio sul paraerba è affilato.

CHE COSA PUO' SUCCEDERE

- Il contatto con il coltello di taglio potrebbe provocare lesioni personali.

COME EVITARE IL RISCHIO

- Fate attenzione quando maneggiate il paraerba. Evitate il contatto con la lama del coltello.

1. Inserite il paraerba nella fessura lunga e curva del corpo del motore (Fig. 3).
2. Capovolgete il tagliabordi e fissate il paraerba al lato inferiore del corpo del motore con (2) due viti automaschianti (Fig. 4).
3. Togliete il nastro adesivo dal coltello di taglio sul paraerba (Fig. 5).

Prima di iniziare

Filo di taglio

Nota: Il filo di taglio per il Vostro tagliabordi è un filo speciale a monofilamento. Il vostro tagliabordi viene fornito completo con in dotazione questo filo già avvolta sulla bobina.

1. Per evitare che il filo si aggrovigli durante il trasporto, la punta del filo a monofilamento è stata fissata con del nastro adesivo alla testina di taglio. **Il nastro adesivo deve essere rimosso prima di far funzionare l'apparecchio** (Fig. 6).
2. Controllate la cuffia di protezione per assicurarvi che sia scattata saldamente in posizione. Allineate le linguette sulla cuffia con le fessure nella testa di taglio, premete le linguette e spingete verso il basso la cuffia di protezione e la bobina per fissare in posizione la cuffia di protezione (Fig. 16).

ATTENZIONE

RISCHIO POTENZIALE

- **La cuffia di protezione può allentarsi durante il trasporto. Una cuffia di protezione o una bobina allentate o installate in modo improprio potrebbero volare via dal tagliabordi.**

CHE COSA PUO' SUCCEDERE

- **Il contatto con una bobina o una cuffia di protezione volati via dal tagliabordi potrebbe provocare lesioni all'operatore o alle persone presenti.**

COME EVITARE IL RISCHIO

- **Assicuratevi che la bobina e la cuffia di protezione siano fissate perfettamente prima di fare funzionare l'apparecchio. Sostituite la bobina se è danneggiata o se la cuffia di protezione non scatta saldamente sulla testa di taglio.**
- **Tenete gli astanti e gli animali domestici lontani dalla zona in cui viene tosata l'erba.**

Fissaggio della prolunga

Nota: Una prolunga corretta è un requisito fondamentale per un uso sicuro ed efficiente del Vostro tagliabordi Toro. Usate soltanto una prolunga raccomandata per uso esterno.

1. Inserite la prolunga nella presa del tagliabordi (Fig. 7).
2. Formate un anello con la prolunga e inseritelo nella fessura nel retro dell'impugnatura superiore (Fig. 7).
3. Fissate la prolunga nel fermacavo come illustrato nella Figura 7.

AVVERTENZA

RISCHIO POTENZIALE

- **Non usate mai un cavo elettrico danneggiato.**

CHE COSA PUO' SUCCEDERE

- **Un cavo elettrico danneggiato potrebbe provocare una scossa o un incendio.**

COME EVITARE IL RISCHIO

- **Controllate accuratamente il cavo elettrico prima di usare il tagliabordi. Se il cavo è danneggiato, non fate funzionare il tagliabordi. Sostituite o riparate immediatamente il cavo danneggiato. Contattate il Vostro centro di assistenza TORO per l'assistenza.**

Funzionamento

AVVERTENZA

RISCHIO POTENZIALE

- Durante il funzionamento, il tagliabordi può lanciare in aria oggetti.

CHE COSA PUO' SUCCEDERE

- Gli oggetti lanciati potrebbero provocare lesioni all'operatore o agli astanti.

COME EVITARE IL RISCHIO

- Indossate sempre occhiali di protezione o altre protezioni per gli occhi adatte, pantaloni lunghi e scarpe quando fate funzionare il tagliabordi
- Tenete persone e animali domestici lontani dalla zona in cui viene tosata l'erba.

Il vostro tagliabordi taglierà erba e piccole erbacce in luoghi difficili e scomodi da raggiungere. Tuttavia, è probabile che si verificheranno alcune rotture del filo le prime volte che lo usate. A mano a mano che imparerete le tecniche per tosare l'erba, sarete in grado di tagliare le zone intorno ad alberi, cespugli, muri di fondazione, steccati, marciapiedi, patii, ecc. riducendo al minimo l'usura o la rottura del filo.

1. Ispezionate la zona in cui deve essere tosata l'erba per individuare eventuali fili, cavi o materiale filamentosi che potrebbero rimanere impigliati nel filo rotante. Raccogliete inoltre eventuali oggetti o detriti che potrebbero essere lanciati in aria dal tagliabordi.
2. Stendete la prolunga in modo che non Vi intralci e da evitare che si annodi o si ingarbugli.
3. Tosate soltanto quando l'erba e le erbacce sono asciutte.
4. Muovete lentamente l'apparecchio dentro e fuori dalla zona che viene tagliata, mantenendo l'apparecchio all'altezza di taglio desiderata. Si può trattare di un movimento in avanti e indietro o da un lato all'altro come indicato (Fig. 8 & 9).

5. L'erba più alta di otto pollici (venti centimetri) o le piccole erbacce dovrebbero essere tagliate lavorando dall'alto in basso con piccoli incrementi per evitare un'usura prematura del filo.

6. **NON SFORZATE L'APPARECCHIO.** Fate in modo che sia soltanto la *punta* del filo di nylon ad eseguire il taglio (in particolare lungo i muri) (Fig. 10). Se tagliate usando più della punta ridurrete l'efficienza di taglio e sovraccaricherete il motore.

La punta del filo di taglio si usurerà durante l'uso e provocherà una riduzione della falciata di taglio. Se il filo non viene fatto avanzare di tanto in tanto, si usurerà fino all'occhiello metallico. Quando il tagliabordi viene arrestato, il filo tenderà a **rilassarsi** e **potrà infilarsi nella testa di taglio**. Se questo dovesse accadere, togliete la bobina, fate ripassare il filo attraverso l'occhiello metallico e rimontate la bobina sul tagliabordi.

7. La durata del filo di taglio dipende dal fatto di seguire le tecniche per tosare l'erba esposte in precedenza, oltre che da ciò che viene tagliato e da dove viene effettuato il taglio. Per esempio, il filo si usura più rapidamente quando si tosa l'erba vicino a un muro di fondazione rispetto a quando si tosa l'erba intorno a un albero.

Potrà capitare che il filo si rompa perché l'apparecchio viene mosso troppo rapidamente, perché si impiglia con materiale estraneo, per la normale fatica del filo e perché si tenta di tagliare erbacce grosse e dal gambo lungo che vanno al di là delle capacità dell'apparecchio. A mano a mano che il filo si usura, per ottenere un ottimo rendimento allungatelo come indicato nella procedura 'Allungamento del filo di taglio'.

8. **NON trascinate mai la bobina del tagliabordi sul terreno mentre tosate l'erba (Fig. 11). Questo provoca un sovraccarico del motore e l'usura della bobina.**
9. Dopo ogni uso, fate uscire un po' di filo per impedire che il filo si infili nella testa di taglio.

10. Il tagliabordi può essere usato per bordure decorative ruotando l'impugnatura di supporto di 180° (Fig. 12).

AVVERTENZA

RISCHIO POTENZIALE

- Quando il tagliabordi viene usato per bordure decorative, può darsi che vengano lanciati oggetti in direzione dell'operatore o degli astanti.

CHE COSA PUO' SUCCEDERE

- Gli oggetti lanciati potrebbero provocare lesioni all'operatore o agli astanti.

COME EVITARE IL RISCHIO

- Indossate sempre occhiali di protezione o altre protezioni adatte per gli occhi, pantaloni lunghi e scarpe quando fate funzionare il tagliabordi.
- Tenete persone e animali domestici lontani dalla zona in cui viene tosata l'erba

Allungamento del filo di taglio

1. Per allungare il filo, avvitate fermamente la bobina sul terreno mentre il motore continua a girare. Il filo sarà alimentato dalla bobina e tagliato alla lunghezza giusta dal coltello di taglio attaccato al paraerba (Fig. 13).

Ricordate di tenere acceso il tagliabordi mentre allungate il filo. Basta conficcare il tagliabordi nel terreno; **non appoggiatelo sul terreno**. Una volta uscito il filo, aspettate finché sentite che il filo viene tagliato alla lunghezza giusta prima di continuare a tosare.

Nota: Per contribuire a evitare ingarbugliamenti del filo, conficcatelo soltanto una volta per allungare il filo. Se è necessario dell'altro filo, aspettate alcuni secondi prima di conficcare nuovamente la testa del tagliabordi.

Evitate che il filo, usurandosi, si accorci troppo. Mantenete, per quanto possibile, la lunghezza del filo al diametro di taglio pieno.

2. Allungate il filo soltanto quando è stato accorciato dall'usura. Un allungamento non necessario sprecherà del filo.

Nota: La bobina può usurarsi durante l'uso normale della funzione di avanzamento del filo e può richiedere di essere sostituita di tanto in tanto. Le bobine di ricambio sono disponibili attraverso il vostro rivenditore TORO. Per gli accessori, v. pagina 10.

Sostituzione del filo di taglio

La bobine di ricambio preavvolte possono essere acquistate dal vostro rivenditore Toro locale. Il filo di taglio usato dalla Toro è formulato in modo particolare per essere usato sul Vostro tagliabordi. Fili diversi possono non fornire lo stesso rendimento di alta qualità.

ATTENZIONE

RISCHIO POTENZIALE

- L'uso di un filo diverso dal filo di taglio a monofilamento corretto potrebbe provocare lesioni personali.

CHE COSA PUO' SUCCEDERE

- Fili o altre sostanze filamentose potrebbero tagliare vestiti, pelle, ecc. e provocare lesioni personali.

COME EVITARE IL RISCHIO

- Non usate alcun tipo di filo o altra sostanza filamentosa.
- Usate soltanto filo di taglio a monofilamento in nylon del diametro di 0,065", al massimo di 30 piedi (9 metri).

AVVERTENZA

RISCHIO POTENZIALE

- **Quando il tagliabordi è in funzione, la testina di taglio ruota.**

CHE COSA PUO' SUCCEDERE

- **Il contatto con la testina di taglio rotante potrebbe provocare lesioni personali.**

COME EVITARE IL RISCHIO

- **Assicuratevi sempre che la testina di taglio abbia completamente finito di ruotare e che la spina del tagliabordi sia disinserita prima di capovolgere il tagliabordi.**
- **Non attivate mai il tagliabordi quando è in posizione capovolta.**

1. Staccate il tagliabordi dall'alimentazione di corrente.

ATTENZIONE

RISCHIO POTENZIALE

- **Il coltello di taglio sul paraerba è affilato.**

CHE COSA PUO' SUCCEDERE

- **Il contatto con il coltello di taglio potrebbe provocare lesioni personali.**

COME EVITARE IL RISCHIO

- **Fate attenzione quando togliete la bobina. Evitate il contatto con la lama del coltello.**

2. Per togliere la bobina vuota, capovolgete il tagliabordi, ponete la mano sopra la bobina e premete le linguette su ciascun lato della cuffia di protezione (Fig. 14).
3. Se vi è del filo sulla bobina, tenete l'estremità libera del filo con una mano per evitare che la bobina si dipani e con l'altra mano afferrate la bobina e sollevate la bobina e la cuffia di protezione insieme, estraendole (Fig. 15).

Nota: Se durante questa procedura la molla cade dalla testa di taglio, reinstallate la molla prima di reinstallare la bobina e la cuffia di protezione.

Nota: Prima di reinstallare la bobina, assicuratevi di pulire accuratamente la testa di taglio ed eseguite un controllo visivo per individuare eventuali parti danneggiate o usurate.

4. Svolgete non più di tre pollici (7,5 centimetri) di filo dalla bobina nuova e tenete il filo e la bobina per evitare che si dipani.
5. Collocate la cuffia di protezione sulla bobina.
6. Inserite il filo nell'occhiello metallico sulla testa di taglio (Fig. 16) e tenete il filo con una mano, usando l'altra mano per collocare la bobina e la cuffia di protezione sulla molla. Allineate le linguette sulla cuffia di protezione con le fessure nella testa di taglio, premete le linguette e spingete la cuffia di protezione e la bobina verso il basso per fissare in posizione la cuffia di protezione (Fig. 16).

Nota: Può darsi che la bobina debba essere ruotata leggermente per essere installata perfettamente.

ATTENZIONE

RISCHIO POTENZIALE

- **Una cuffia di protezione o una bobina installate in modo non corretto potrebbero volare via dal tagliabordi.**

CHE COSA PUO' SUCCEDERE

- **Il contatto con una bobina o una cuffia di protezione volati via dal tagliabordi potrebbe provocare lesioni all'operatore o agli astanti.**

COME EVITARE IL RISCHIO

- **Assicuratevi che la bobina e la cuffia di protezione siano perfettamente fissate prima di far funzionare l'apparecchio. Sostituite la bobina se è danneggiata o se la cuffia di protezione non scatta saldamente sulla testina di taglio.**
- **Tenete astanti e animali domestici lontani dalla zona in cui viene tosata l'erba.**

7. Se il filo dovesse ingarbugliarsi o rompersi all'altezza dell'occhiello metallico, disinserite la spina del tagliabordi, togliete la bobina, fate ripassare il filo attraverso l'occhiello e rimontate la bobina sul tagliabordi.

Riavvolgimento di bobine vuote

Per riavvolgere una bobina vuota, eseguite le operazioni che seguono:

1. Agganciate un'estremità del filo nella fessura sulla bobina, **facendo sporgere non più di 1/8"**. **Spingete l'estremità del filo fino all'estremità interna della fessura.** Avvolgete il filo nella direzione della freccia sulla bobina in file a livello fra le flange della bobina (Fig. 17).

Nota: Il tagliabordi non funzionerà correttamente se il filo è avvolto nella direzione sbagliata o se l'estremità del filo sporge di oltre 1/8" all'estremità interna della fessura.

2. **Non avvolgete il filo oltre i bordi esterni della bobina; il tagliabordi non funzionerà correttamente.**

Manutenzione

AVVERTENZA

RISCHIO POTENZIALE

- Vi è la possibilità che il tagliabordi possa essere avviato inavvertitamente quando la prolunga viene inserita in una presa elettrica.

CHE COSA PUO' SUCCEDERE

- L'avviamento involontario potrebbe provocare lesioni personali all'operatore o agli astanti.

COME EVITARE IL RISCHIO

- Assicuratevi sempre che la spina del tagliabordi sia disinserita e che la testa di taglio abbia finito di ruotare prima di tentare qualsiasi manutenzione o riparazione.

1. Per mantenere pulito l'esterno, limitatevi a strofinarlo con un panno umido. **Non bagnatelo mai con una canna.**
2. Pulite la zona della testina di taglio e della bobina strofinandola ogni volta che vi è un accumulo di sporcizia o di residui di taglio.
3. Controllate e serrate tutti i fermagli. Se qualsiasi parte è danneggiata o persa, riparatela o sostituirla.
4. Raschiate i detriti dalle prese d'aria su entrambi i lati del corpo del motore (Fig. 18).

Importante: Il fatto di tenere le prese d'aria libere da erba e detriti impedisce il surriscaldamento e la possibile avaria del motore.

Importante: Per evitare di danneggiare il paraerba quando riponete il tagliabordi, appoggiate il tagliabordi sulla testina di taglio o sulla carcassa del motore oppure appendete il tagliabordi per le impugnature.

NON APPOGGIATE IL TAGLIABORDI SUL PARAERBA COME ILLUSTRATO (Fig. 19). IL PARAERBA PUO' PIEGARSI E INTERFERIRE CON IL FILO DI TAGLIO.

5. Qualsiasi altra operazione di assistenza dovrebbe essere eseguita da un Centro di Assistenza autorizzato Toro.

Accessori

NUMERI DELLE PARTI DI RICAMBIO	
BOBINA PREAVVOLTA	BOBINA VUOTA
Modello #88176	Parte #73-8190

La promessa della Toro

Una garanzia completa di due anni per uso residenziale

La 'The Toro Company' garantisce questo prodotto TORO per due anni da difetti di materiale o di fabbricazione. Per ricevere un ricambio o fare effettuare una riparazione, a discrezione della Toro, basta rispedire l'apparecchio completo, con nolo prepagato, al distributore (rivenditore) insieme alla prova di acquisto. La presente garanzia copre soltanto i difetti del prodotto. **Non copre danni incidentali o consequenziali.** La presente garanzia vi dà diritti specifici, e può darsi che abbiate altri diritti che variano da un paese all'altro. Se tutti gli altri rimedi sono inefficaci, potete contattarci alla 'The Toro Company', Dreve Richelle 161, Batiment "C", 1410 Waterloo, Belgio. (Non restituite prodotti difettosi a questo indirizzo.)

Inhoud

	Blz.
Inleiding	1
Veilige bediening	2
Overzicht van veiligheidssymbolen	4
Montage	5
Bevestigen van de steungreep	5
Bevestigen van het grasscherm	5
Instructies ter voorbereiding	5
Snijsdraad	5
Vastzetten van het verlengsnoer	6
Gebruiksaanwijzing	6
Snijsdraad op lengte maken	7
Snijsdraad vervangen	8
Nieuw draad op een lege spoel wikkelen	9
Onderhoud	9
Toebehoren	10
De belofte van Toro	10

Inleiding

Dank u dat u voor een Toro-produkt hebt gekozen.

Wij allen bij Toro wensen dat u met dit nieuwe produkt geheel tevreden bent. Aarzel niet om contact met uw erkende Toro Service Dealer op te nemen voor eventuele hulp, originele Toro onderdelen of andere informatie.

Houd het model- en serienummer van de trimmer altijd bij de hand wanneer u contact opneemt met uw erkende Toro Service Dealer of met de fabriek. Aan de hand van deze nummers kan de Service Dealer of contactpersoon u exacte informatie over uw specifieke produkt verschaffen. U vindt het model- en serienummer op een plaatje dat op het produkt bevestigd is (fig. 1).

Noteer het model- en serienummer van uw trimmer hieronder, dan hebt u het altijd bij de hand.

Model nr. _____

Serie nr. _____

Lees deze handleiding aandachtig door voordat u de trimmer gaat gebruiken. Daardoor kunt u letsel van uzelf of anderen en beschadiging van de trimmer voorkomen. Hoewel Toro veilige en moderne produkten ontwerpt, vervaardigt en op de markt brengt, blijft u zelf verantwoordelijk voor een goed en veilig gebruik. U dient ook anderen die met het produkt gaan werken te instrueren over veilig gebruik.

Toro gebruikt in deze handleiding een systeem van waarschuwingen en bijzondere opmerkingen om u te helpen (mogelijk fataal) letsel van u en anderen te voorkomen. De woorden **GEVAAR**, **WAARSCHUWING** en **VOORZICHTIG** worden gebruikt om de ernst van het gevaar aan te geven. U dient overigens altijd met de grootste voorzichtigheid te werk te gaan.

GEVAAR waarschuwt u voor zeer gevaarlijke situaties die kunnen resulteren in ernstig lichamelijk letsel of overlijden, die kunnen ontstaan als u niet de vereiste voorzorgsmaatregelen neemt.

WAARSCHUWING waarschuwt u voor gevaarlijke situaties die kunnen resulteren in ernstig lichamelijk letsel of overlijden, die kunnen ontstaan als u niet de vereiste voorzorgsmaatregelen neemt.


VOORZICHTIG duidt belangrijke instructies inzake uw persoonlijke veiligheid aan. Om letsel te voorkomen moet u dergelijke instructies zorgvuldig lezen en opvolgen.

Er worden nog twee woorden gebruikt om u op belangrijke informatie te wijzen. "Belangrijk" attendeert u op bijzondere technische informatie en "Opmerking" duidt algemene informatie aan die bijzondere aandacht verdient.

Veilige bediening

BELANGRIJKE VEILIGHEIDSINSTRUCTIES

Voor de grootste veiligheid, beste prestaties en om de machine te leren gebruiken, moet u en iedereen die de machine gebruikt deze handleiding vóór het gebruik aandachtig lezen. Het

waarschuwingssymbool  verdient bijzondere aandacht. Dit betekent **VOORZICHTIG, WAARSCHUWING** of **GEVAAR** — "veiligheidsinstructie." Lees deze instructie aandachtig omwille van uw persoonlijke veiligheid. **NIET OPVOLGEN VAN DE INSTRUCTIES KAN RESULTEREN IN PERSOONLIJK LETSEL, BRANDGEVAAR OF ELEKTRISCHE SCHOKKEN.**

LEES ALLE INSTRUCTIES VOORDAT U DIT APPARAAT GEBRUIKT

HOUD DEZE INSTRUCTIES ALTIJD BIJ DE HAND

WAARSCHUWING—Om brandgevaar, elektrische schokken of letsel te voorkomen, dient u de volgende veiligheidsinstructies op te volgen.

1. Lees deze handleiding aandachtig door voordat u de trimmer gaat gebruiken. Let op de plaats en de functie van de bedieningselementen en weet hoe u de trimmer snel kunt uitschakelen.
2. Houd iedereen weg uit het gebied waarin u de trimmer gebruikt, met name kinderen en huisdieren. U dient erop toe te zien dat het apparaat niet door kinderen wordt bediend of door volwassenen die niet van de instructies op de hoogte zijn.
3. Draag altijd een veiligheidsbril of andere bescherming van de ogen wanneer u de trimmer gebruikt om graskanten of sierranden bij te werken.
4. Gebruik de trimmer uitsluitend onder droge omstandigheden. **NIET IN DE REGEN GEBRUIKEN.**
5. Inspecteer het terrein waarop u de trimmer gaat gebruiken grondig en verwijder eventuele voorwerpen die in de trimmer kunnen gaan vastzitten of worden uitgeworpen. Houd iedereen weg uit het gebied waarin u de trimmer gebruikt, met name kinderen en huisdieren.
6. Draag geen loszittende kleding of sieraden; deze kunnen vastraken in de trimmer. Lang haar opsteken, zodat dit niet in de openingen voor de luchttoevoer wordt gezogen. Draag altijd een lange broek en stevige schoenen.
7. Gebruik altijd het juiste apparaat. Gebruik het apparaat uitsluitend waarvoor het bedoeld is, bijvoorbeeld om gras en laag onkruid te maaien.
8. Om elektrische schokken te voorkomen uitsluitend een verlengsnoer gebruiken dat voor gebruik buitenshuis bedoeld is. Een beschadigd verlengsnoer direct vervangen.
9. Verlengsnoer: om tijdens het gebruik te voorkomen dat het verlengsnoer losraakt, het verlengsnoer vóór het gebruik op de juiste wijze vastzetten.
10. Voorkom per ongeluk starten van de trimmer. Zorg dat de schakelaar **UIT** staat voordat u de trimmer op de netspanning aansluit. Tijdens het dragen van de aangesloten trimmer de vinger niet op de schakelaar houden.
11. Schakel alle bedieningsorganen uit voordat u de stekker losmaakt.
12. Raak de stekker of het apparaat niet met natte handen aan of als u in water staat.
13. Het apparaat niet gebruiken als stekker of snoer beschadigd is. Als het apparaat niet naar behoren werkt, gevallen, beschadigd of buiten gelaten is, of in het water is gevallen, moet het door een erkende Toro Service Dealer worden gecontroleerd.
14. Het apparaat niet aan het snoer verslepen of dragen. Zorg dat het snoer niet tussen een deur beklemd raakt en het snoer niet om scherpe

- kanten of hoeken trekken. De stekker nooit aan het snoer eruit trekken, altijd de stekker zelf vastpakken.
15. Houd het snoer uit de buurt van warmtebronnen, olie en scherpe kanten. Een beschadigd snoer vervangen.
 16. De trimmer niet forceren. De trimmer werkt het best en veiligst bij het beoogde vermogen.
 17. Alleen bij daglicht of goed kunstlicht gebruiken. Zorg dat u stevig staat. Houd de handgrepen stevig vast en loop in een normaal tempo, ga niet rennen.
 18. Altijd de motor afzetten en de stekker uitnemen voordat u het apparaat achterlaat, het gaat reinigen of reparaties of controles uitvoert.
 19. De trimmer na gebruik op een droge plaats opbergen, hoog of op een afgesloten plaats buiten het bereik van kinderen.
 20. Draai alle moeren, bouten en schroeven regelmatig strak aan, zodat de machine steeds veilig in gebruik is.
 21. Zorg dat de spoel en kap stevig op hun plaats zitten voordat u de trimmer gebruikt.
 22. Gebruik het apparaat uitsluitend als alle veiligheidskappen en andere voorzieningen op hun plaats zitten.
 23. Houd handen en voeten altijd uit de buurt van draaiende delen.
 24. Als het apparaat abnormaal begint te trillen, direct de motor afzetten. De stekker uitnemen en het apparaat meteen controleren. Trillingen duiden doorgaans op een storing.
 25. Gebruik het apparaat niet als het gevallen of beschadigd is. Laat de trimmer controleren en repareren door een erkende Toro Service Dealer.
 26. Gebruik uitsluitend originele TORO onderdelen. Vervang of repareer een beschadigd snoer.
 27. Reik niet te ver. Zorg dat u stevig staat en uw evenwicht behoudt bij gebruik van de trimmer.
 28. Zorg voor een goed onderhoud. Houd snijkop en motorhuis schoon voor de beste resultaten en om letsel te voorkomen. Volg de onderhoudsinstructies op bladzijde 9 op.
 29. **VOORZICHTIG**—Het mes op het grasscherm is zeer scherp; wees voorzichtig bij het reinigen en hanteren.
 30. **VERLENGSNOER**—Gebruik een verlengsnoer dat voor gebruik buitenshuis bedoeld is en dat aan de geldende voorschriften voor elektrische apparatuur voldoet. Zorg ervoor dat het snoer in goede staat blijft en vervang een beschadigd snoer. Gebruik een verlengsnoer dat geschikt is voor de stroomsterkte die de trimmer gebruikt.
- Zie figuur 7 voor het aansluiten van het snoer.
- NB.:** Gebruik van een verlengsnoer van meer dan 45 meter lang wordt afgeraden.
- Goedgekeurd volgens CEE 10

Geluidsniveau

Deze machine produceert een maximum geluidsniveau, gebaseerd op metingen van identieke machines, van:

70 dB(A)

Trillingsniveau

Deze machine produceert een maximum trillingsniveau van 2.5 m/s², gebaseerd op metingen van identieke machines.

Overzicht van veiligheidssymbolen

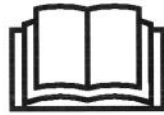
Veiligheidsalarm –
symbool in de
driehoek geeft gevaar
aan



Veiligheidsalarm



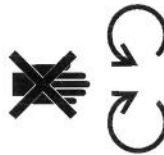
Lees de
bedieningshand-
leiding



Raadpleeg technische
handleiding voor
juiste onderhouds-
procedures



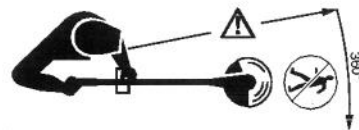
Veiligheidsschermen
niet openen of
verwijderen terwijl de
motor loopt



Draag een
veiligheidsbril



Houd omstanders uit
de buurt



Uitgeworpen
voorwerpen – gevaar
voor alle
lichaamsdelen



Werk alleen bij droog
weer



Elektrische
schok/elektrocutie



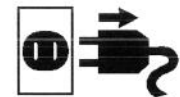
Afsnijden van vinger
of hand



Afsnijden van voet



Stekker uit
stopcontact nemen



Montage

NB.: De trimmer moet er uitzien zoals getoond in figuur 1 als deze volledig gemonteerd is.

Bevestigen van de steungreep

1. Druk de steungreep op de buis, met de gladde kant van de steungreep naar de bovenste handgreep gericht. Zet de steungreep losjes op de buis vast met de bevestigingsbout en de knop (fig. 2).

NB.: De hoogte van de steungreep kan worden versteld door deze over de buis te verschuiven. Als de gewenste hoogte is gevonden, de knop stevig aandraaien.

Bevestigen van het grasscherm

VOORZICHTIG

MOGELIJK GEVAAR

- Het mes op het grasscherm is zeer scherp.

WAT ER KAN GEBEUREN

- Aanraking van het mes kan verwonding veroorzaken.

GEVAARLIJKE SITUATIES VOORKOMEN

- Wees voorzichtig met het scherm. Voorkom aanraking van het mes.

1. Zet het grasscherm in de lange ronde sleuf in het motorhuis (fig. 3).
2. Keer de trimmer om en bevestig het grasscherm op de onderkant van het motorhuis met de (2) twee zelftappende schroeven (fig. 4).

3. Verwijder het plakband van het mes op het grasscherm (fig. 5).

Instructies ter voorbereiding

Snijdraad

NB.: De snijdraad voor de trimmer is van een speciaal soort nylon gemaakt. De trimmer wordt geleverd met een hoeveelheid van deze draad reeds op de spoel gewonden.

1. Om te voorkomen dat de draad vastraakt tijdens het vervoer, is het uiteinde van de snijdraad op de snijkop vastgeplakt. **Het plakband dient voor gebruik verwijderd te worden** (fig. 6).
2. Controleer of de kap goed op z'n plaats zit. Houd de lippen van de kap gelijk met de uitsparingen in de snijkop. Druk de lippen naar binnen en druk de kap en spoel omlaag om de kap vast te zetten (fig. 16).

VOORZICHTIG

MOGELIJK GEVAAR

- De kap kan tijdens het vervoer losgeraakt zijn. Een loszittende of niet juist aangebrachte kap of spoel kan door de trimmer uitgeworpen worden.

WAT ER KAN GEBEUREN

- Een uitgeworpen spoel op kap kan de gebruiker of omstanders verwonden.

GEVAARLIJKE SITUATIES VOORKOMEN

- Zorg dat spoel en kap stevig bevestigd zijn voordat u de trimmer gebruikt. Vervang de spoel als die beschadigd is, of als de kap niet goed op de snijkop vastklikt.
- Houd omstanders en huisdieren uit de buurt.

Vastzetten van het verlengsnoer

NB.: Een geschikt verlengsnoer is een absolute vereiste voor een veilig en goed gebruik van de Toro trimmer. Gebruik uitsluitend een verlengsnoer dat geschikt is voor gebruik buitenshuis.

1. Sluit het verlengsnoer op de stekker van de trimmer aan (fig. 7).
2. Maak een lus in het verlengsnoer en haal die door de opening aan de achterkant van de bovenste handgreep (fig. 7).
3. Leg de lus om de haak heen om het snoer vast te zetten, zie figuur 7.

WAARSCHUWING

MOGELIJK GEVAAR

- Gebruik nooit een beschadigd snoer.

WAT ER KAN GEBEUREN

- Een beschadigd snoer kan schokken of brand veroorzaken.

GEVAARLIJKE SITUATIES VOORKOMEN

- Controleer het snoer voordat u de trimmer gebruikt. De trimmer niet gebruiken als het snoer beschadigd is. Een beschadigd snoer direct vervangen of repareren. Vraag uw TORO Service Dealer om hulp.

Gebruiksaanwijzing

WAARSCHUWING

MOGELIJK GEVAAR

- Tijdens gebruik van de trimmer kunnen voorwerpen worden uitgeworpen.

WAT ER KAN GEBEUREN

- Uitgeworpen voorwerpen kunnen de gebruiker of omstanders verwonden.

GEVAARLIJKE SITUATIES VOORKOMEN

- Draag altijd een veiligheidsbril of andere bescherming van de ogen, een lange broek en dichte schoenen als u met de trimmer werkt.
- Houd kinderen en huisdieren uit de buurt.

De trimmer dient voor het maaien van gras en laag onkruid op moeilijk bereikbare plaatsen. Tijdens het eerste gebruik is het mogelijk dat de snijdraad wat vaker breekt. Naarmate u de techniek beter onder de knie krijgt, leert u steeds beter maaien bij bomen, struiken, muren, hekken, trottoirs, terrassen enzovoort, waarbij steeds minder draadbreek of -slijtage optreedt.

1. Controleer het werkgebied op draad, touw of soortgelijke voorwerpen die in de snijdraad verstrikt kunnen raken. Verwijder voorwerpen die door de trimmer uitgeworpen kunnen worden.
2. Leg het verlengsnoer zo uit dat het niet in de weg ligt en voorkom knikken of knopen.
3. Uitsluitend droog gras en onkruid maaien.
4. Beweeg de trimmer langzaam in en uit het werkgebied, waarbij u de trimmer op de gewenste snijhoogte houdt. Dit mag een voor- en achterwaartse beweging of een heen-en-weer gaande beweging zijn, zoals aangegeven (fig. 8 en 9).
5. Bij het maaien van gras dat hoger dan 20 cm is of laag onkruid dient stapsgewijs van boven naar onderen gewerkt te worden, om overmatige slijtage van de snijdraad te voorkomen.

6. **FORCEER DE TRIMMER NIET.** Laat alleen de *punt* van de nylon draad het snijwerk doen (met name langs muren) (fig. 10). Als met meer dan de punt wordt gemaaid, leidt dit tot een slechter maairesultaat en overbelasting van de motor.

De punt van de snijdraad slijt in het gebruik, waardoor de snijlengte minder wordt. Als de lengte van de draad niet regelmatig aangepast wordt, slijt deze af tot aan de opening in de metalen snijkop. Wanneer u de trimmer uitschakelt, zal de draad **ontspannen en kan hij zich in de snijkop terugtrekken**. Als dat gebeurt, verwijdert u de spoel en voert u de draad opnieuw door de opening in de snijkop. Monteer de spoel vervolgens weer op de trimmer.

7. De levensduur van de snijdraad is afhankelijk van de toepassing van de hierboven beschreven technieken, van het materiaal dat wordt gemaaid en waar dat gebeurt. De draad slijt bijvoorbeeld sneller wanneer u langs een muur maait dan rond een boom.

De draad kan ook breken doordat u de trimmer te snel beweegt, doordat er voorwerpen in verstrikt raken, als de draad versleten is, of wanneer u onkruid probeert te maaien dat te dik is voor de trimmer. Als de draad te ver afgesleten is, moet u die weer langer maken om het beste resultaat te bereiken, zie 'Snijdraad langer maken'.

8. **Laat de spoel van de trimmer NOOIT over de grond slepen tijdens het maaien (fig. 11). Dit veroorzaakt overbelasting van de motor en slijtage van de spoel.**
9. Na elk gebruik de draad iets naar buiten trekken, om te voorkomen dat de draad zich in de snijkop terugtrekt.
10. De trimmer kan worden gebruikt voor het bijwerken van randen door de steungreep 180° te draaien (fig. 12).

WAARSCHUWING

MOGELIJK GEVAAR

- Als de trimmer wordt gebruikt voor het bijwerken van randen, kunnen voorwerpen naar de gebruiker of omstanders worden uitgeworpen.

WAT ER KAN GEBEUREN

- Uitgeworpen voorwerpen kunnen verwonding van gebruiker of omstanders veroorzaken.

GEVAARLIJKE SITUATIES

VOORKOMEN

- Draag altijd een veiligheidsbril of andere bescherming van de ogen, een lange broek en dichte schoenen als u met de trimmer werkt.
- Houd mensen en huisdieren uit de buurt van de trimmer.

Snijdraad op lengte maken

1. Om de snijdraad langer te maken, 'stamp' u met de spoel op de grond terwijl de motor draait. De draad komt uit de spoel en wordt door het mes op het grasscherp op de juiste lengte afgesneden (fig. 13).

Vergeet niet de trimmer 'aan' te laten als u de draad langer wilt maken. 'Stamp' eenmaal met de trimmer op de grond, **de trimmer niet op de grond gedrukt houden**. Nadat de draad langer is geworden, wacht u totdat u hoort dat hij op de juiste lengte wordt afgesneden voordat u verder gaat met maaien.

NB.: Om te voorkomen dat de draad verward raakt, slechts éénmaal 'stampen' om de draad langer te maken. Als u meer draad nodig hebt, enkele seconden wachten voordat u opnieuw 'stampt'. Laat de draad niet te kort afslijten. Houd de draad zoveel mogelijk op de maximale snijlengte.

2. Maak de draad alleen langer als die door slijtage korter is geworden. Onnodig langer maken kost alleen maar draad.

NB.: De spoel kan in het normale gebruik door het regelmatig langer maken van de draad slijten en moet dan worden vervangen. Een nieuwe spoel is verkrijgbaar bij uw TORO leverancier. Zie bladzijde 10 voor toebehoren.

Snijdraad vervangen

Nieuwe spoelen, compleet met snijdraad, zijn verkrijgbaar bij uw Toro leverancier. De snijdraad van Toro is speciaal ontwikkeld voor uw trimmer. Snijdraad van een ander merk levert misschien niet dezelfde hoge prestaties.

VOORZICHTIG

MOGELIJK GEVAAR

- Gebruik van ander draad dan speciale nylon snijdraad kan persoonlijk letsel veroorzaken.

WAT ER KAN GEBEUREN

- Draad of vergelijkbaar materiaal kan door kleren, de huid enzovoort heen snijden en letsel veroorzaken.

GEVAARLIJKE SITUATIES

VOORKOMEN

- Gebruik geen andere soorten draad.
- Gebruik uitsluitend TORO 0,065" diam. nylon snijdraad, maximaal ca. 10 m.

WAARSCHUWING

MOGELIJK GEVAAR

- Als de trimmer in werking is, draait de snijkop.

WAT ER KAN GEBEUREN

- Aanraking van de draaiende snijkop kan verwonding veroorzaken.

GEVAARLIJKE SITUATIES

VOORKOMEN

- Wacht totdat de snijkop volledig stilstaat en maak het verlengsnoer los voordat u de trimmer omkeert.
- Schakel de trimmer nooit in omgekeerde stand in.

1. Maak het verlengsnoer los van de trimmer.

VOORZICHTIG

MOGELIJK GEVAAR

- Het mes op het grasscherm is zeer scherp.

WAT ER KAN GEBEUREN

- Aanraking van het mes kan verwonding veroorzaken.

GEVAARLIJKE SITUATIES

VOORKOMEN

- Wees voorzichtig bij het uitnemen van de spoel. Raak het mes niet aan.

2. Om de lege spoel te verwijderen, keert u de trimmer om. Plaats de hand over de spoel en druk de lippen aan weerskanten van de kap naar binnen (fig. 14).
3. Als er nog draad op de spoel zit, het uiteinde van de draad met één hand vasthouden om afwikkelen te voorkomen. Pak met de andere hand de spoel vast en neem spoel en kap er tegelijk af (fig. 15).

NB.: Als de veer uit de snijkop valt, eerst de veer opnieuw aanbrengen voordat u de spoel en kap terugplaatst.

NB.: Voordat u de spoel weer aanbrengt, de snijkop grondig reinigen en controleren op beschadiging of slijtage.

4. Wikkel niet meer dan ca. 7,5 cm draad van de nieuwe spoel af. Houd de draad en spoel vast om verder afwikkelen te voorkomen.
5. Plaats de kap op de spoel.
6. Steek de draad door de opening in de snijkop (fig. 16) en houd de draad met één hand vast. Plaats met de andere hand de spoel en kap op de veer. Zet de lippen aan de kap gelijk met de sleuven in de snijkop, druk de lippen naar binnen en druk de kap en spoel omlaag totdat de kap vast zit (fig. 16).

NB.: Het is mogelijk dat u de spoel iets moet draaien om hem goed op z'n plaats te brengen.

VOORZICHTIG

MOGELIJK GEVAAR

- Een niet goed bevestigde kap of spoel kan door de trimmer worden uitgeworpen.

WAT ER KAN GEBEUREN

- Een uitgeworpen spoel of kap kan verwonding van de gebruiker of omstanders veroorzaken.

GEVAARLIJKE SITUATIES VOORKOMEN

- Controleer of spoel en kap goed bevestigd zijn voordat u de trimmer gebruikt. Vervang de spoel als die beschadigd is of als de kap niet goed op de snijkop vastklikt.
- Houd mensen en huisdieren uit het werkgebied.

7. Als de draad verward raakt of breekt bij de opening in de snijkop, de stekker uit het verlengsnoer nemen en de spoel verwijderen. Steek de draad opnieuw door de opening en breng de spoel weer op de trimmer aan.

Nieuw draad op een lege spoel wikkelen

Om nieuw draad op een lege spoel te wikkelen, gaat u als volgt te werk:

1. Plaats een uiteinde van de draad in de sleuf op de spoel. **Laat het uiteinde niet meer dan 3 mm uitsteken. Druk het uiteinde van de draad helemaal in de sleuf.** Wikkel de draad in de richting van de pijl op de spoel, in rechte banen naast elkaar tussen de opstaande randen van de spoel (fig. 17).

NB.: De trimmer werkt niet goed als de draad in de verkeerde richting wordt opgewikkeld, of als het uiteinde meer dan 3 mm uitsteekt bij de binnenkant van de sleuf.

2. Wikkel nooit zo veel draad op dat het buiten de opstaande randen van de spoel uitsteekt; de trimmer werkt dan niet naar behoren.

Onderhoud

WAARSCHUWING

MOGELIJK GEVAAR

- De kans bestaat dat de trimmer per ongeluk wordt gestart als het verlengsnoer in het stopcontact zit.

WAT ER KAN GEBEUREN

- Per ongeluk starten kan verwonding van de gebruiker of omstanders veroorzaken.

GEVAARLIJKE SITUATIES VOORKOMEN

- Controleer altijd of u de stekker uit het stopcontact hebt genomen en of de snijkop stilstaat voordat u onderhoud of reparaties uitvoert.

1. Maak de buitenkant schoon door deze met een vochtige doek af te vegen. **Nooit schoonspuiten.**

2. Veeg of krab de snijkop en spoel schoon als zich er vuil of maaisel op heeft verzameld.
3. Alle bevestigingen controleren en aandraaien. Beschadigde of verloren onderdelen repareren of vervangen.
4. Verwijder vuil uit de openingen voor de luchttoevoer aan beide zijden van het motorhuis (fig. 18).

Belangrijk: Houd de openingen voor de luchttoevoer vrij van gras en vuil om oververhitting en mogelijke storing van de motor te voorkomen.

Belangrijk: Om het grasscherm bij het opbergen tegen beschadiging te beschermen, de trimmer op de snijkop of het motorhuis laten rusten of de trimmer ophangen aan één of beide handgrepen. **LAAT DE TRIMMER**

NIET OP HET GRASSCHERM RUSTEN, ZOALS GETOOND (fig. 19). HET GRASSCHERM KAN VERVORMD RAKEN EN MET DE SNIJDRAAD IN CONTACT KOMEN.

5. Alle overige werkzaamheden dienen door een erkende Toro Service Dealer te worden uitgevoerd.

Toebehoren

ARTIKELNUMMERS TOEBEHOREN	
SPOEL MET SNIJDRAAD	LEGE SPOEL
Model nr. 88176	Onderdeel nr. 73-8190

De belofte van Toro

Een volledige garantie van twee jaar voor 'huishoudelijk' gebruik

The Toro Company garandeert dit TORO produkt gedurende twee jaar tegen gebreken van materialen en fabrieksfouten. Voor vervanging of reparatie, naar goeddunken van Toro, stuurt u het complete apparaat (voldoende gefrankeerd) samen met het aankoopbewijs naar de distributeur (dealer). Deze garantie heeft uitsluitend betrekking op gebreken aan produkten.

De garantie geldt niet voor bijkomende of indirecte schade. Deze garantie geeft u specifieke rechten en u kunt nog andere rechten hebben die per land verschillen. Als een dealer of distributeur u niet kan helpen, kunt u contact opnemen met The Toro Company, Dreve Richelle 161, Batiment "C", 1410 Waterloo, België. (Geen defecte produkten naar dit adres sturen.)

