

# **52'' Mowers**

**for**

## **Lawn & Garden Tractors**

**Model No. 78280 – 6900001 & Up**

**Model No. 78285 – 6900001 & Up**

**Model No. 98280 – 6900001 & Up**

**Model No. 98285 – 6900001 & Up**

**Model No. 9863220 – T6T0001 & Up**

**Model No. 9863221 – T6V0001 & Up**

---

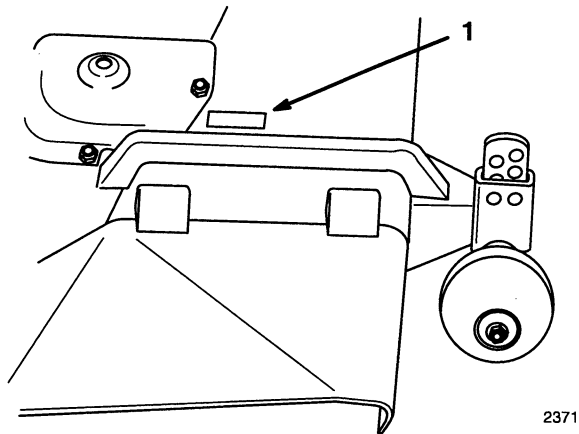
# **Operator's Manual**

**IMPORTANT:** Read this manual carefully. It contains information about your safety and the safety of others. Also become familiar with the controls and their proper use before you operate the product.

# Introduction

We want you to be completely satisfied with your new product, so feel free to contact your local Authorized Service Dealer for help with service, genuine replacement parts, or other information you may require.

Whenever you contact your Authorized Service Dealer or the factory, always know the model and serial numbers of your product. These numbers will help the Service Dealer or Service Representative provide exact information about your specific product. You will find the model and serial number plate located in a unique place on the product as shown below.



1. Model and Serial Number Plate

For your convenience, write the product model and serial numbers in the space below.

<b>Model No:</b> _____
<b>Serial No.</b> _____

The warning system in this manual identifies potential hazards and has special safety messages that help you and others avoid personal injury, even death. **DANGER**, **WARNING** and **CAUTION** are signal words used to identify the level of hazard. However, regardless of the hazard, be extremely careful.

**DANGER** signals an extreme hazard that will cause serious injury or death if the recommended precautions are not followed.

**WARNING** signals a hazard that may cause serious injury or death if the recommended precautions are not followed.

**CAUTION** signals a hazard that may cause minor or moderate injury if the recommended precautions are not followed.

Two other words are also used to highlight information. "Important" calls attention to special mechanical information and "Note" emphasizes general information worthy of special attention.

The left and right side of the machine is determined by sitting on the seat in the normal operator's position.

# Contents

	<b>Page</b>		<b>Page</b>
Safety and Instruction Decals .....	2	Operating the Power Take Off (PTO) .....	13
Installation .....	3	Attachment Lift Lever .....	14
Loose Parts .....	3	Attachment Power Lift .....	14
Mower Preparation .....	4	Adjusting Dial-A-Height .....	15
Tractor Preparation .....	6	Adjusting Gage Wheels .....	15
Installing the Mower .....	7	Tips for Mowing Grass .....	16
Transport Height Adjustment .....	8	Maintenance .....	17
Side-to-Side Mower Leveling .....	9	Service Interval Chart .....	17
Front-to-Rear Blade Slope .....	10	Cutting Blade .....	18
Removing the Mower .....	11	Greasing and Lubrication .....	20
Removing the Mulching Baffle .....	12	Blade Drive Belt .....	20
Installing the Mulching Baffle .....	12	Power Take Off (PTO) Belt .....	21
Operation .....	13	Storage .....	22
Side Discharge .....	13	Troubleshooting .....	23

## Safety and Instruction Decals



Safety decals and instructions are easily visible to the operator and are located near any area of potential danger. Replace any decal that is damaged or lost.

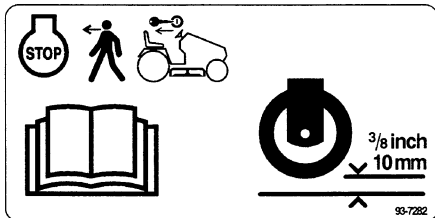
**ON GRASS DEFLECTOR**  
 (Part No. 93-1122)  
 (Part No. TR93D1122)



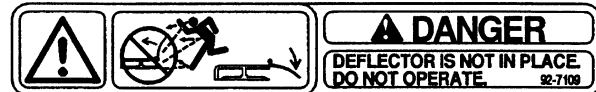
**ON MOWER LEFT AND DISCHARGE CHUTE**  
 (Part No. 92-7108)  
 (Part No. TR92D7108)



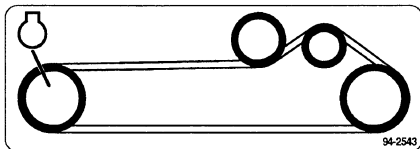
**NEXT TO GAGE WHEELS**  
 (Part No. 93-7282)  
 (Part No. TR93D7282)



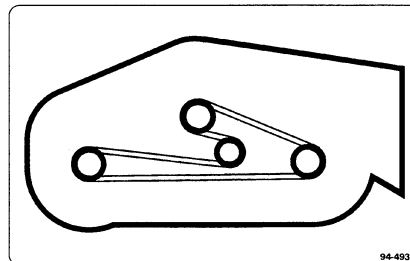
**UNDER GRASS DEFLECTOR**  
 (Part No. 92-7109)  
 (Part No. TR92D7109)



**ON MOWER LEFT SIDE**  
 (Part No. 94-2543)  
 (Part No. TR94D2543)



**ON MOWER REAR CENTER**  
 (Part No. 94-4937)  
 (Part No. TR94D4937)



# Installation

## Loose Parts

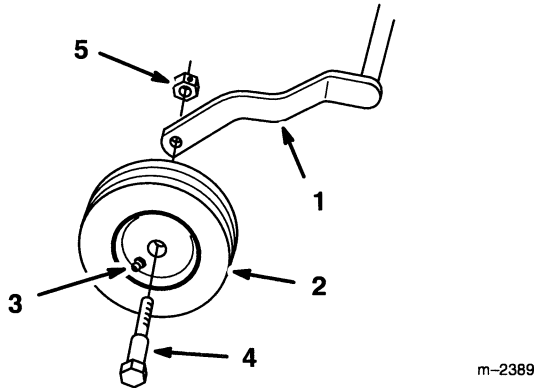
**Note:** Use the chart below to identify parts used for assembly.

DESCRIPTION	QTY.	USE
Gage wheel	2	Install gage wheels
Shoulder bolt	2	
Lock nut 3/8" (with patch on threads)	2	
Rear link	1	Install rear link
Washer	2	
Cotter pin	2	
Adjustable links	2	Install front mount to mower
Washer 3/8" (10 mm)	2	
Cotter pin 1" (26 mm)	2	
Grass deflector	1	Install grass deflector
Spring	2	
Bolt 3/8– 24 x 3-1/2" (89 mm)	2	
Lock nut 3/8"	2	
Up stop	1	Install mower up stop
Hairpin cotter–large	2	Install mower to tractor
Washer 3/4" (19 mm)	2	
Link pin	1	
Hairpin cotter–small	3	
Washer 1/2" (13 mm)	3	
Operator's Manual	1	Read before operating

## Mower Preparation

1. Attach gage wheels to the outside of arms on rear carrier assembly. Grease fitting on wheel must face out (Fig. 1).
2. Secure with shoulder bolt and 3/8" lock nut, with internal locking patch on threads (Fig. 1).

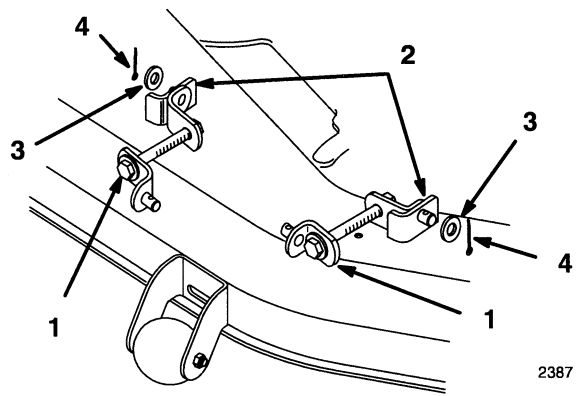
**Note:** Grease wheels.



**Figure 1**

- |                       |                               |
|-----------------------|-------------------------------|
| 1. Carrier arm        | 4. Shoulder bolt              |
| 2. Wheel              | 5. Lock nut 3/8" (with patch) |
| 3. Grease fitting out |                               |

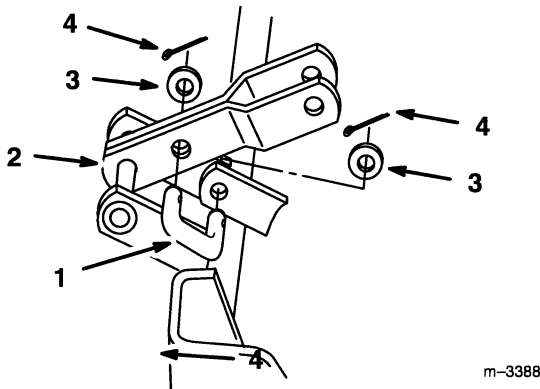
5. Place adjustable links, with bolt heads down, between brackets on the front of the mower (Fig. 3).
6. Secure to brackets with 1/2" washers and 1" (26 mm) cotter pins (Fig. 3).



**Figure 3**

- |                    |                          |
|--------------------|--------------------------|
| 1. Adjustable link | 3. Washer 1/2"           |
| 2. Bracket         | 4. Cotter pin 1" (26 mm) |

3. Install rear link between mower bracket and carrier lift arm (Fig. 2).
4. Secure with 1/2" washers and 1" (26 mm) cotter pins (Fig. 2).

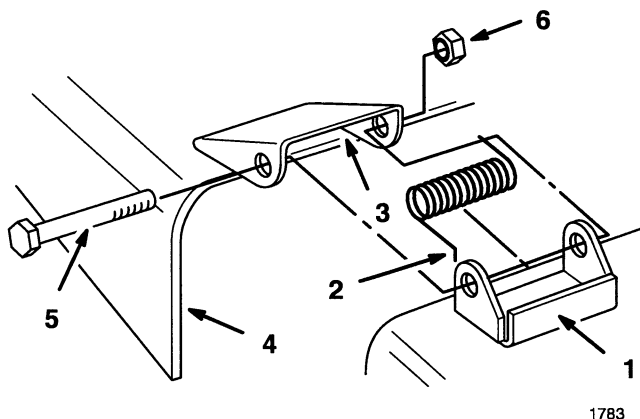


**Figure 2**

- |                     |                          |
|---------------------|--------------------------|
| 1. Rear link        | 3. Washer 1/2"           |
| 2. Carrier lift arm | 4. Cotter pin 1" (26 mm) |

7. Place springs into brackets on mower with hooked ends over raised back (Fig. 4).
8. Align grass deflector with holes in brackets and spring straight ends in space under hinge and above deflector (Fig. 4).
9. Secure deflector to bracket with 3/8–3-1/2 (89 mm) bolts through grass deflector, springs and brackets. Secure with 3/8" lock nuts (Fig. 4).
10. Lift grass deflector and check that it is spring loaded and pivots freely to the full down position.

**IMPORTANT:** Grass deflector must be spring loaded in the down position. Lift deflector up to test that it snaps to the full down position.



**Figure 4**

- |                     |                            |
|---------------------|----------------------------|
| 1. Bracket          | 4. Grass deflector         |
| 2. Spring hook end  | 5. Bolt 3/8–3-1/2" (89 mm) |
| 3. space for spring | 6. Lock nut 3/8"           |

## **! DANGER**

### **POTENTIAL HAZARD**

- Without the grass deflector, discharge cover, or complete grass catcher assembly mounted in place, you and others are exposed to blade contact and thrown debris.

### **WHAT CAN HAPPEN**

- Contact with rotating mower blade(s) and thrown debris will cause injury or death.

### **HOW TO AVOID THE HAZARD**

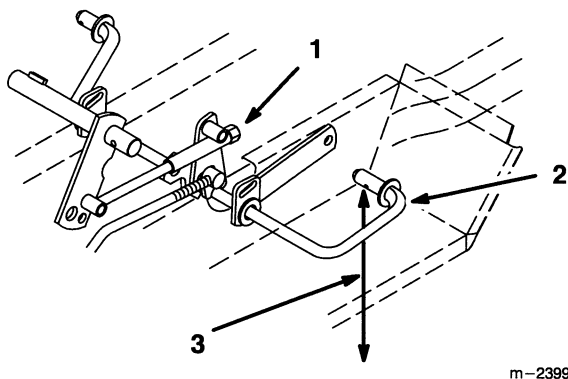
- NEVER remove the grass deflector from the mower because the grass deflector routes material down toward the turf. If the grass deflector is ever damaged, replace it immediately.
- Never put your hands or feet under the mower.
- Never try to clear discharge area or mower blades unless you move the power take off (PTO) to "OFF" and rotate the ignition key to "OFF." Also remove the key and pull the wire off the spark plug(s).

## Tractor Preparation

1. Park the machine on a level surface and lower attachment lift to the full "DOWN" position. Refer to Operation: Attachment Lift page NO TAG.

**Note:** Turn Dial-A-Height control to allow lift to go to full "MOUNTING" position.

2. Disengage the power take off (PTO), set the parking brake, and turn the ignition key to "OFF" to stop the engine. Remove the key.
3. Adjust transport height nut until bottom of rear lift arms are approximately 7-1/4" (188 mm) from the level surface (Fig. 5).

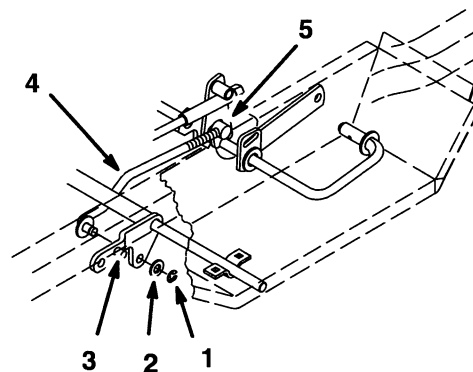


m-2399

**Figure 5**

- |                         |                    |
|-------------------------|--------------------|
| 1. Transport height nut | 3. 7-1/4" (188 mm) |
| 2. Rear lift arms       |                    |

8. Adjust length of lift rod, by turning in/out of trunnion, so end just slides into mounting hole in front lift arm (Fig. 6).
9. Slide lift rod into hole and secure with previously removed washer and E-ring (Fig. 6).
10. Check that stop is 0"-1/8" (0-3 mm) away from frame when fully assembled and lift in the full "UP" position.



m-3398

**Figure 6**

- |                     |              |
|---------------------|--------------|
| 1. E-ring           | 4. Lift link |
| 2. Washer           | 5. Trunnion  |
| 3. Stop on lift arm |              |

4. Raise attachment lift to the full "UP" position. Refer to Operation: Attachment Lift page
5. Remove E-ring, washer and lift link from front lift arm (Fig. 6).
6. Hold front lift arm up until stop contacts frame (Fig. 6).
7. Push back hard on lift rod, to raise linkage, and check location of lift rod compared to mounting hole location.

11. Remove bolts securing existing up-stop to tractor frame (Fig. 7).
12. Place J-clip, holding drain hose, against frame and mount new, long, up-stop to frame with previously removed hardware (Fig. 7).

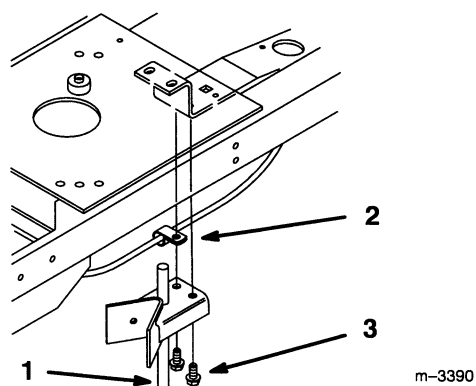
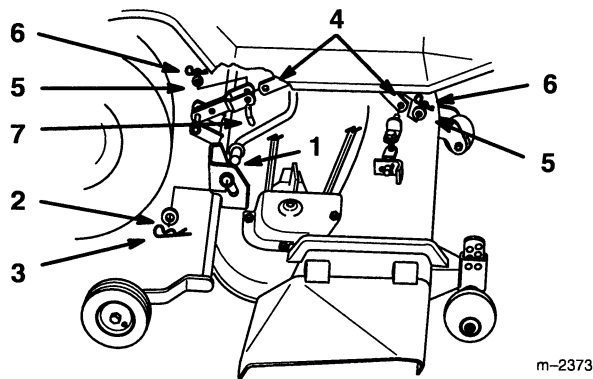


Figure 7

1. Up-stop (long)  
 2. J-clip  
 3. Existing bolts

## Installing the Mower

1. Park the machine on a level surface, disengage the power take off (PTO), set the parking brake, and turn the ignition key to "OFF" to stop the engine. Remove the key.
2. Turn the front wheels straight ahead and raise attachment lift lever all the way to the latched position; refer to tractor Operator's Manual.
3. Slide the mower under tractor from right side, turning front wheels as necessary. Align rear mounting bushings with ends of lift arms.
4. Turn Dial-a-Height knob counterclockwise, all the way, and lower attachment lift lever to the mounting position; refer to Operation page NO TAG.
5. Place rear guide bushings, first left side then right, onto lift arms then slide deck left into position (Fig. 8).
6. Secure deck to rear lift arms with 3/4" washers and large hairpin cotters (Fig. 8).
7. Install front adjustable links to front lift arms with 1/2" washer and small hairpin cotter (Fig. 8).
8. Attach rear link to attachment lift with link pin, 1/2" washer and small hairpin cotter (Fig. 8).



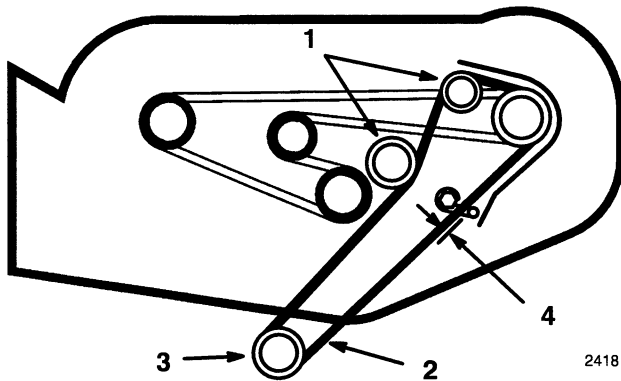
**Figure 8**

- |                          |                          |
|--------------------------|--------------------------|
| 1. Lift arm              | 5. Washer 1/2"           |
| 2. Washer 3/4"           | 6. Hair pin cotter–small |
| 3. Hair pin cotter–large | 7. Link pin              |
| 4. Attachment lift       |                          |

9. Pull on drive belt and rotate onto engine pulley to install (Fig. 9).

**Note:** Make sure belt is properly located in engine and deck pulleys and around idler pulley.

10. Adjust belt guide so distance between belt and guide is 1/8" (4 mm) (Fig. 9).



**Figure 9**

Top View

- |                 |                  |
|-----------------|------------------|
| 1. Idler pulley | 3. Engine pulley |
| 2. Drive belt   | 4. 1/8" (4 mm)   |

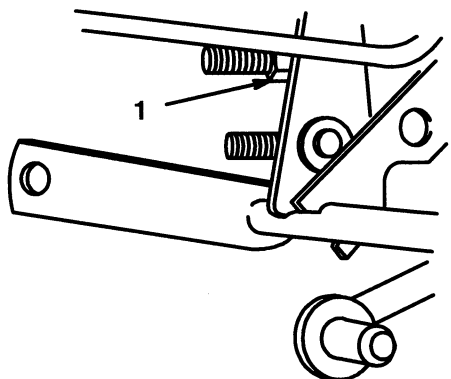
11. Check mower level; refer to Side-to-Side Mower Leveling page 10, and Front-to-Rear Blade Leveling page 11.

12. Raise attachment lift lever all the way to the latched position and adjust mower transport height adjustment; refer to page 9.

## Transport Height Adjustment

Transport height should be properly adjusted after Tractor Preparation, page 6; however if the rear brackets contact the footrest or up-stop contacts the top of mower in the raised position, adjustment is required.

1. Adjust by turning transport height nut, (Fig. 10) on lift mechanism, clockwise to raise or counterclockwise to lower mower.
2. Adjust nut until there is 1/4" (6 mm) clearance between rear brackets and footrest and up-stop and mower.



1223

Figure 10

1. Nut

## Side-to-Side Mower Leveling

The mower blades must be level from side to side. Check the side-to-side level any time you install the mower or when you see an uneven cut on your lawn. Before you level the mower, set the air pressure in the front and rear tires to 12 psi (.85 kPa).

### 3" to 4" (76-102 mm) Height-of-Cut Range

When the mower height-of-cut is set to the 3" to 4" (76-102 mm) range the mower is suspended from the tractor.

1. Park the machine on a level surface, disengage the power take off (PTO), set the parking brake, and turn the ignition key to "OFF" to stop the engine. Remove the key.
2. Raise attachment lift lever all the way to the latched position.
3. Carefully rotate blade(s) side to side (Fig. 11). Measure between the outside cutting edges and the flat surface (Fig. 11). If both measurements are not within 3/16" (5 mm), an adjustment is required; refer to steps 4 and 6.

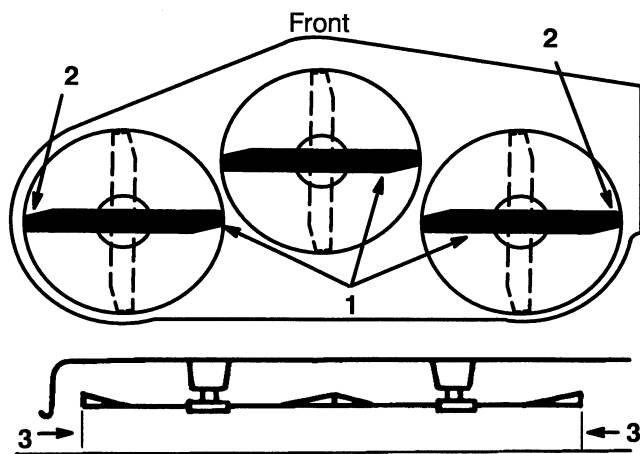


Figure 11

1. Blades side to side
2. Outside cutting edges
3. Measure here

4. Loosen adjustment bolt on one side and rotate hanger bracket to raise or lower mower (Fig. 12).
5. After adjusting, tighten bolt and check side-to-side level.

**IMPORTANT: If hanger is rotated to the end of adjustment on one side and mower is not level, adjust the opposite side.**

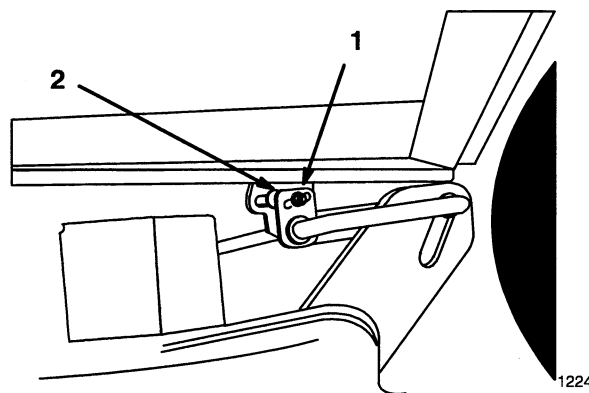


Figure 12

1. Bolt
2. Hanger bracket

6. Now check the front-to-rear blade slope; refer to Front-to-Rear Blade Slope, page 11.

### 1-1/2" to 3" (38-76 mm) Height-of-Cut Range

When the mower height-of-cut is set to the 1-1/2" to 3" (38-76 mm) range the rear gage wheels contact the ground. There is no side-to-side adjustment for this height range, see Front-to-Rear Blade Slope.

## Front-to-Rear Blade Slope

Check the front-to-rear blade slope any time you install the mower. Before checking the slope, set air pressure in the front and rear tires to 12 psi (.85 kPa). If the front blade tip is not 0–3/8" (0–9.5 mm) lower than the rear blade tip, adjust the blade slope using the following instructions:

1. Park the machine on a level surface, disengage the power take off (PTO), set the parking brake, and turn the ignition key to "OFF" to stop the engine. Remove the key.
2. Check and adjust side-to-side blade level if you have not checked the setting; refer to Side-to-Side Mower Leveling, page 10.
3. Adjust the Dial-A-Height knob so the height-of-cut is in the middle of the range and lower attachment lift.
4. Carefully rotate blades so they are facing front and rear (Fig. 13).
5. Measure between the tip of the front blade (Fig. 13) and the tip of the rear blade to the flat surface. If the front blade tip is not 0–3/8" (0–9.5 mm) lower than the rear blade tip adjust front adjustment link.

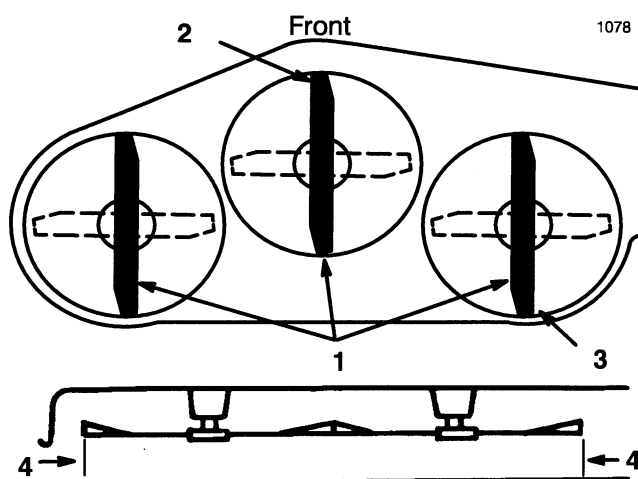
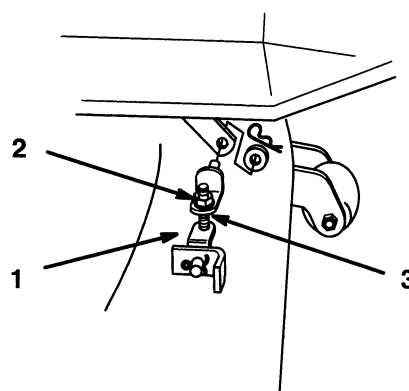


Figure 13

- |                            |                           |
|----------------------------|---------------------------|
| 1. Blade front to rear     | 3. Measure rear blade tip |
| 2. Measure front blade tip | 4. Measure here           |

6. To adjust front-to rear blade level loosen jam nut on front adjustable link. (Fig. 14).
7. Rotate the bolt on front adjustable link to change front-to rear blade level (Fig. 14).

**Note:** To raise the front of the mower, shorten the adjustable link by turning bolt clockwise.



m-2430

Figure 14

- |                    |         |
|--------------------|---------|
| 1. Adjustable link | 3. Bolt |
| 2. Jam nut         |         |

8. When front-to-rear slope is correct, tighten jam nut. Recheck side-to-side mower level; refer to Side-to-Side Mower Leveling, page 10.

## Removing the Mower

1. Park the machine on a level surface, disengage the power take off (PTO), set the parking brake, and turn the ignition key to "OFF" to stop the engine. Remove the key.
2. Raise attachment lift, turn Dial-a-Height knob counterclockwise, all the way, and lower the attachment lift lever to the mounting position; refer to tractor Operator's Manual.
3. Remove mower drive belt from engine pulley.
4. Remove hairpin cotter, washer and link pin from rear link and remove from attachment lift (Fig. 15).
5. Remove hairpin cotter and washer from front adjustable link(s) and remove from front lift arm (Fig. 15).
6. Remove hairpin cotters and washers from rear lift arms (Fig. 15).
7. Slide deck right, off rear lift arms (Fig. 15).

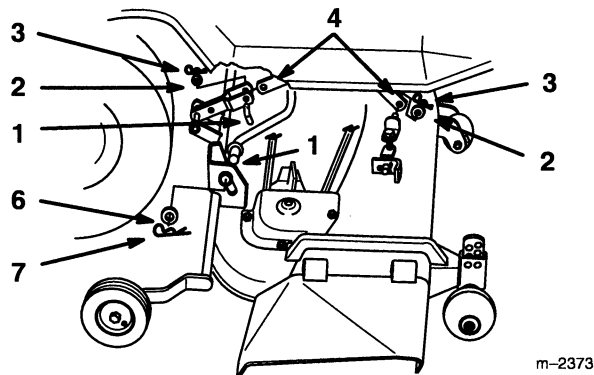


Figure 15

- |                          |                          |
|--------------------------|--------------------------|
| 1. Link pin              | 5. Lift arm              |
| 2. Washer 1/2"           | 6. Washer 3/4"           |
| 3. Hair pin cotter-small | 7. Hair pin cotter-large |
| 4. Attachment lift       |                          |

8. Raise attachment lift all the way to the latched position. Turn the front wheels, as necessary, and slide mower out to the the right side.

**Note:** Save all hardware, washers and hairpin cotters for use when installing deck.

## Removing the Mulching Baffle

Models 78285 and 9863221 only.

1. Remove lock nuts from top, discharge side and center flange of right side baffle (Fig. 16). Lower baffle and slide out discharge opening to remove.

**Note:** Only the right side baffle need be removed for side discharge mowing.

2. Install previously removed 5/16–5/8” (16 mm) bolts and 5/16” lock nuts in open holes of mower for safety (Fig. 16).

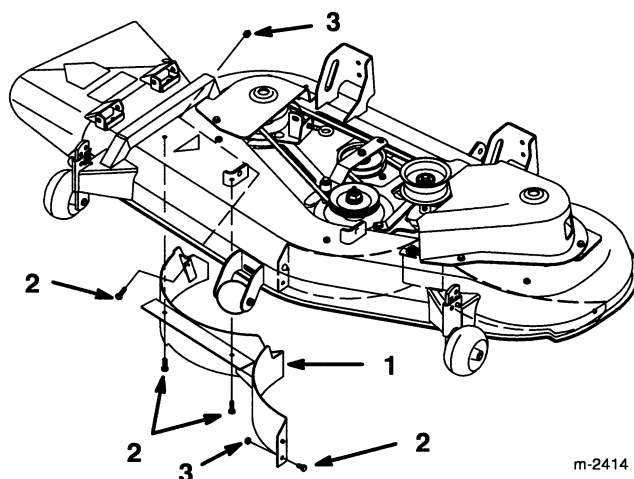


Figure 16

- |                             |                   |
|-----------------------------|-------------------|
| 1. Baffle left side         | 3. Lock nut 5/16” |
| 2. Bolt 5/16 x 5/8” (16 mm) |                   |

## Installing the Mulching Baffle

Models 78285 and 9863221 only.

1. Thoroughly clean the mower.
2. Remove lock nuts from top and discharge side and center flange of mower (Fig. 17). Slide baffle into discharge opening and raise into mower so pin on center flange engages left baffle.
3. Secure with previously removed 5/16–5/8” (16 mm) bolts and 5/16” lock nuts in top, discharge side and center flange holes of baffle (Fig. 17).

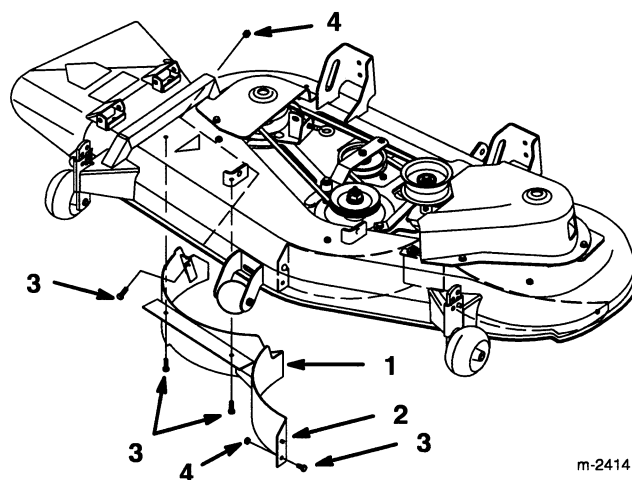


Figure 17

- |                     |                             |
|---------------------|-----------------------------|
| 1. Baffle left side | 3. Bolt 5/16 x 5/8” (16 mm) |
| 2. Flange pin       | 4. Lock nut 5/16”           |

### DANGER

#### POTENTIAL HAZARD

- Open holes in the mower expose you and others to thrown debris.

#### WHAT CAN HAPPEN

- Debris thrown out of holes in the mower can cause injury.

#### HOW TO AVOID THE HAZARD

- Never operate mower without hardware mounted in all holes in mower.
- Install hardware in mounting holes when recycle baffle is removed.

# Operation

## Side Discharge

### DANGER

#### POTENTIAL HAZARD

- Without the grass deflector, discharge cover, or complete grass catcher assembly mounted in place, you and others are exposed to blade contact and thrown debris.

#### WHAT CAN HAPPEN

- Contact with rotating mower blade(s) and thrown debris will cause injury or death.

#### HOW TO AVOID THE HAZARD

- NEVER remove the grass deflector from the mower because the grass deflector routes material down toward the turf. If the grass deflector is ever damaged, replace it immediately.
- Never put your hands or feet under the mower.
- Never try to clear discharge area or mower blades unless you move the power take off (PTO) to “OFF” and rotate the ignition key to “OFF.” Also remove the key and pull the wire off the spark plug(s).

1. The mower has a hinged grass deflector that disperses clippings to the side and down toward the turf.

## Operating the Power Take Off (PTO)

The power take off (PTO) engages and disengages power to the electric clutch.

While the ignition key is in the “RUN” or “LIGHTS” positions and the power take off (PTO) is engaged “ON”, the PTO light, in the Indicator Module, will be “ON”. When this light is “ON” it is a reminder; the starter will not crank and to turn the off PTO before getting off.

### Engaging the Power Take Off (PTO)

1. Depress the brake and/or clutch pedal(s) to stop the machine.
2. Pull the power take off (PTO) to “ON” (Fig. 18).

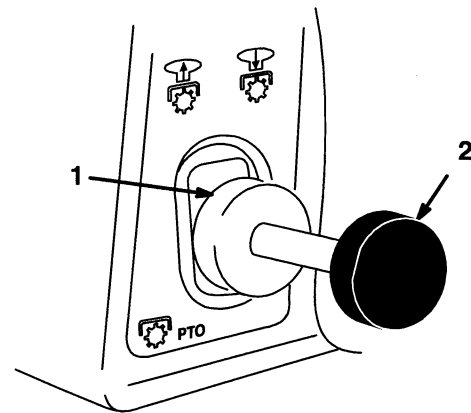


Figure 18

1. Off-Disengaged

2. On-Engaged

1206

### Disengaging the Power Take Off (PTO)

1. Depress the brake and/or clutch pedal(s) to stop the machine.
2. Push the power take off (PTO) to “OFF” (Fig.18).

## Attachment Lift Lever

The attachment lift lever (Fig. 19) is used to raise and lower various attachments.

### Raising Attachments

1. Depress the brake pedal to stop the machine.
2. Pull attachment lift lever rearward until latch locks. In this position the lift will hold the attachment in the up, or raised position.

### Lowering Attachments

1. Depress the brake and/or clutch pedal(s) to stop the machine.
2. Pull attachment lift lever rearward, to release lift pressure, and push the button on top to release the latch. Move lift lever forward to lower attachment.

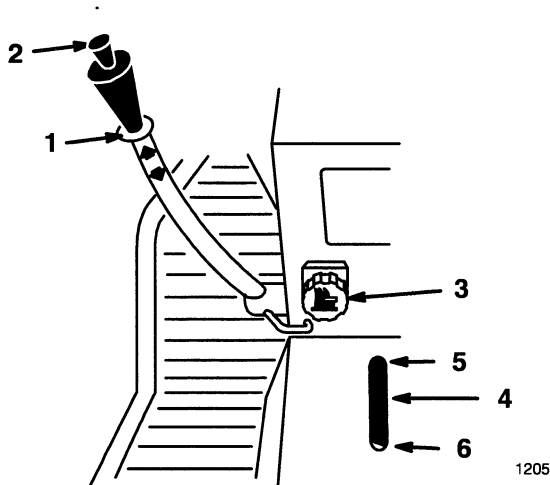


Figure 19

- |                  |                      |
|------------------|----------------------|
| 1. Lift lever    | 4. Indicator         |
| 2. Button        | 5. High              |
| 3. Dial-A-Height | 6. Mounting position |

## Attachment Power Lift

The attachment power lift (optional on some models) (Fig. 20) is used to raise and lower attachments.

### Raising Attachments

1. Turn key to the "ON" or "RUN" position (Fig. 20).
2. Push the lift switch in the "UP" direction to raise the attachment lift (Fig. 20). This will lift and hold the attachment in the up, or raised position.

### Lowering Attachments

1. Turn key to the "ON" or "RUN" position (Fig. 20).
2. Push the lift switch in the "DOWN" direction to lower the attachment lift (Fig. 20). This will lower the attachment lift.

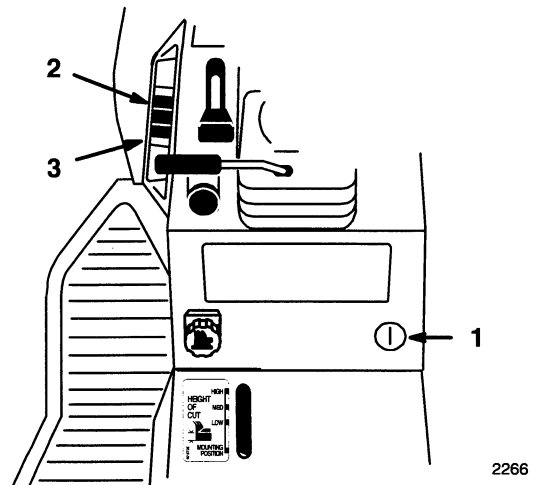


Figure 20

- |                   |                     |
|-------------------|---------------------|
| 1. Key            | 3. Lift switch DOWN |
| 2. Lift switch UP |                     |

## Adjusting Dial-A-Height

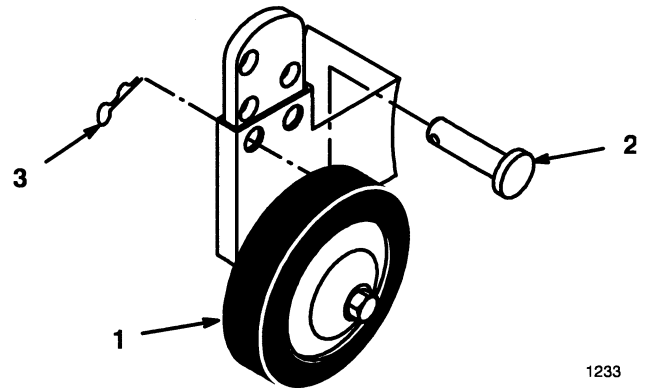
The Dial-A-Height control (Fig. 19) is used to limit the downward travel of the attachment. The Dial-A-Height knob is rotated to change the location of this stop, up or down.

1. Raise the attachment lift lever: Refer to Raising Attachments. In the raised, position the Dial-A-Height knob (Fig. 19) can be rotated to change the stop location. Turn clockwise to raise and counterclockwise to lower the height of the attachment.
2. The Dial-A-Height indicator (Fig. 19) will show the change, high to low, in attachment lift height as adjustment is made.

## Adjusting Gage Wheels

The gage wheels (on certain models) must be adjusted in the proper hole location for each height-of-cut position.

1. After adjusting height-of-cut, raise the attachment lift lever: Refer to Raising Attachments.
2. Remove hairpin cotter and pin to change hole location (Fig. 21).
3. Select a hole position so the gage wheel is  $\frac{3}{8}$ " (9.5 mm) off the ground for the height-of-cut to be used (Fig. 21).
4. Insert pin and secure with hairpin cotter.
5. Repeat adjustment on other gage wheels.



1233

**Figure 21**

- |          |                    |
|----------|--------------------|
| 1. Wheel | 3. Hair pin Cotter |
| 2. Pin   |                    |

## Tips for Mowing Grass

### Fast Throttle Setting

For best mowing and maximum air circulation, operate the engine at “FAST.” Air is required to thoroughly cut grass clippings, so do not set the height-of-cut so low, as to totally surround the mower by uncut grass. Always try to have one side of the mower free from uncut grass, which allows air to be drawn into the mower.

### Cutting a Lawn for the First Time

Cut grass slightly longer than normal to ensure the cutting height of the mower does not scalp any uneven ground. However, the cutting height used in the past is generally the best one to use. When cutting grass longer than six inches tall, you may want to cut the lawn twice to assure an acceptable quality-of-cut.

### Cut 1/3 of the Grass Blade

It is best to cut only about 1/3 of the grass blade. Cutting more than that is not recommended, unless grass is sparse or it is late fall when grass grows more slowly.

### Mowing Direction

Alternate mowing direction to keep the grass standing straight. This also helps disperse clippings which enhances decomposition and fertilization.

### Mow at Correct Intervals

Normally, mow every 4 days. But remember, grass grows at different rates at different times. So to maintain the same cutting height, which is a good practice, mow more often in early spring. As the grass growth rate slows in mid summer, mow less frequently. If you cannot mow for an extended period, first mow at a high cutting height; then mow again 2 days later at a lower height setting.

### Ground Speed

To improve cut quality, use slower ground speed.

### Avoid Cutting Too Low

If the cutting width of the mower is wider than the mower you previously used, raise the cutting height to ensure uneven turf is not cut too short.

### Long Grass

If the grass is ever allowed to grow slightly longer than normal, or if it contains a high degree of moisture, raise the cutting height higher than usual and cut the grass at this setting. Then cut the grass again using the lower, normal setting.

### When Stopping

If the machine’s forward motion must be stopped while mowing, a clump of grass clippings may drop onto your lawn. To avoid this:

1. With the blade(s) “ENGAGED,” move onto a previously cut area.
2. To disperse the clippings evenly, raise the mower one or two height-of-cut settings while driving forward with the blade(s) “ENGAGED.”

### Keep the Underside of the Mower Clean

Clean clippings and dirt from the underside of the mower after each use. If grass and dirt build up inside the mower, cutting quality will eventually become unsatisfactory.

### Blade Maintenance

Maintain a sharp blade throughout the cutting season because a sharp blade cuts cleanly without tearing or shredding the grass blades. Tearing and shredding turns grass brown at the edges, which slows growth and increases the chance of disease. Every 30 days, check the cutter blade(s) for sharpness and file down any nicks.

# Maintenance

## Service Interval Chart

Service Operation	Each Use	5 Hours	25 Hours	Storage Service	Spring Service	Notes
Cutter Blade—check		X	X	X		
Grease—Mower spindles, wheels			X	X		
Belts—check for wear/cracks				X		
Mower Housing—clean	X	X		X		
Chipped Surfaces—paint				X		

### CAUTION

#### POTENTIAL HAZARD

- If you leave the key in the ignition switch, someone could start the engine.

#### WHAT CAN HAPPEN

- Accidental starting of the engine could seriously injure you or other bystanders.

#### HOW TO AVOID THE HAZARD

- Remove the key from the ignition switch and pull the wire off the spark plug before you do any maintenance. Also push the wire aside so it does not accidentally contact the spark plug.

## Cutting Blade

To assure a superior quality of cut, keep the blade(s) sharp. For convenient sharpening and replacement, you may want to have an extra blade(s).

### WARNING

#### POTENTIAL HAZARD

- A blade that is worn or damaged could break apart and pieces could be thrown at bystanders or at you as you use the mower.

#### WHAT CAN HAPPEN

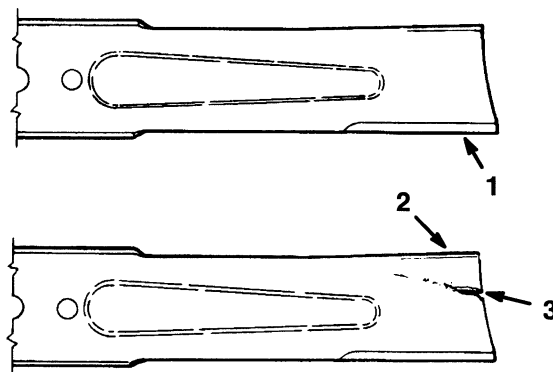
- Pieces of blade that may be thrown could seriously injure or kill you or bystanders.

#### HOW TO AVOID THE HAZARD

- Periodically inspect the blade for wear and damage. Immediately install a new blade if it is worn or damaged.

### Inspecting the Blade(s)

1. Remove the mower; refer to Removing the Mower, page 12.
2. Inspect the cutting edges (Fig. 22). If the edges are not sharp or have nicks, remove the blade(s) and sharpen them; refer to Sharpening the Blade(s), page 20.
3. Inspect the blade(s), especially the curved area (Fig. 22). If you notice any damage, wear, or a slot forming in this area (Fig. 22), immediately install a new blade.



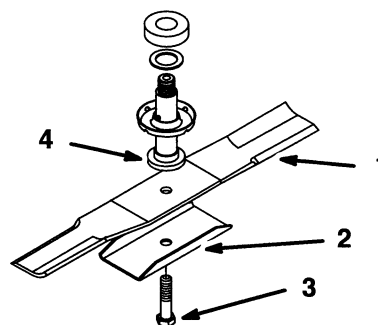
151

Figure 22

- |                 |                      |
|-----------------|----------------------|
| 1. Cutting edge | 3. Wear/slot forming |
| 2. Curved area  |                      |

### Removing the Blade

1. Remove the mower; refer to Removing the Mower, page 12.
2. Carefully tip the mower over.
3. Remove the bolt, blade stiffener and blade (Fig. 23). A block of wood may be wedged between the blade and the mower to lock the blade when you are removing the bolt.
4. Inspect all parts. If a defect or damage is noticed, install new parts.



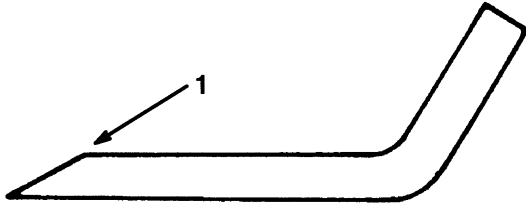
m-2376

Figure 23

- |                    |            |
|--------------------|------------|
| 1. Blade           | 3. Bolt    |
| 2. Blade stiffener | 4. Spindle |

## Sharpening the Blade(s)

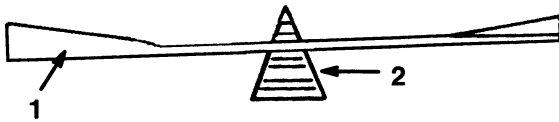
1. Use a file to sharpen the cutting edge at both ends of the blade (Fig. 24). Maintain the original angle. The blade retains its balance if the same amount of material is removed from both cutting edges.



**Figure 24**

1. Sharpen at original angle
- 

2. Check the balance of the blade by putting it on a blade balancer (Fig. 25). If the blade stays in a horizontal position, the blade is balanced and can be used. If the blade is not balanced, file some metal off the back side of the blade. Repeat this procedure until the blade is balanced.



**Figure 25**

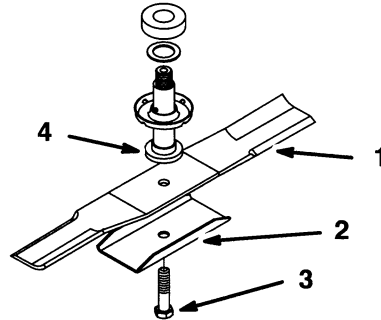
1. Blade
  2. Balancer
- 

## Installing the Blade(s)

1. Install the blade, blade stiffener and bolt (Fig. 26).

**IMPORTANT: The curved part of the blade must be pointing toward the inside of the mower to assure proper cutting.**

2. Tighten the bolt to 80-100 ft-lb (109-136 Nm).



**Figure 26**

1. Blade
  2. Blade stiffener
  3. Bolt
  4. Spindle
- 

m-2376

## Greasing and Lubrication

### Service Interval/Specification

Grease the mower after every 25 operating hours or once a year, whichever occurs first. Grease more frequently when operating conditions are extremely dusty or sandy.

Grease Type: General-purpose grease.

### How to Grease

1. Disengage the power take off (PTO), set the parking brake, and turn the ignition key to "OFF" to stop the engine. Remove the key
2. Clean the grease fittings with a rag. Make sure to scrape any paint off the end of the fitting(s).
3. Connect a grease gun to the fitting. Pump grease into the fittings.
4. Wipe up any excess grease.

### Where to Add Grease

1. Lubricate the blade spindles, idler pulley arm and gage wheel bearings (Fig. 27).

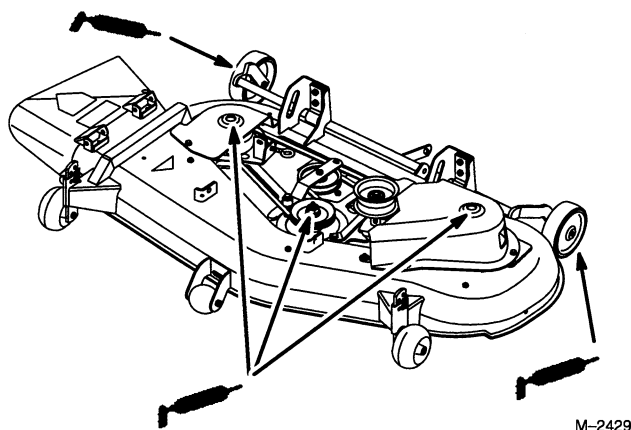


Figure 27

M-2429

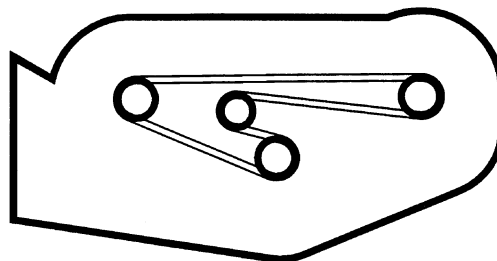
## Blade Drive Belt

### Removing the Blade Drive Belt

1. Remove the mower; refer to Removing the Mower, page 12.
2. Remove pulley cover mounting screws and pulley covers from both blade pulleys.
3. Loosen idler spring and remove the belt from the pulleys (Fig. 29).

### Installing the Blade Drive Belt

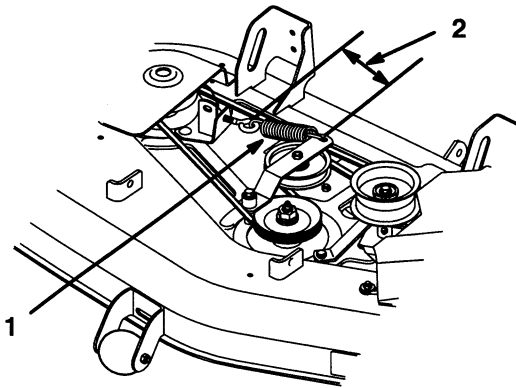
1. Install the new belt around the blade pulleys and the idler pulley (Fig. 28).



m-2415

Figure 28

2. Adjust idler spring tension until length between hooks is 5-1/2" (140 mm) (Fig. 29).



2417

**Figure 29**  
Top View

1. Idler spring
2. 5-1/2" (140 mm)

3. Install left and right pulley covers with previously removed mounting screws.
4. Install the mower; refer to Installing the Mower, page 7.

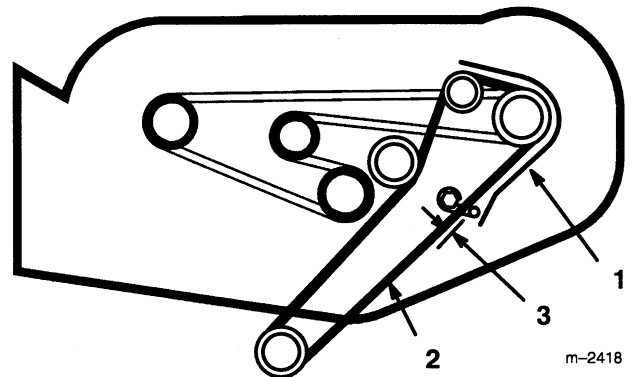
## Power Take Off (PTO) Belt

### Removing PTO Belt

1. Remove the mower; refer to Removing the Mower, page 12.
2. Remove left pulley cover mounting screws and pulley cover. Remove PTO belt (Fig. 30).

### Installing the PTO Belt

1. Install the new belt around the blade pulley and the idler pulleys.
2. Install left pulley cover with previously removed mounting screws (Fig. 30).
3. Install the mower; refer to Installing the Mower, page 7.
4. Adjust belt guide so distance between belt and guide is 1/8" (4 mm) (Fig. 30).



**Figure 30**

1. Left pulley cover
2. PTO belt
3. 1/8" (4 mm)

## Storage

1. Clean dirt and chaff from the outside of the engine's cylinder head fins and blower housing. Also remove grass clippings, dirt, and grime from the external parts of the entire machine, especially the engine, shrouding, and the top of the mower.

**IMPORTANT: You can wash the machine with mild detergent and water. Do not pressure wash the machine. Avoid excessive use of water, especially near the control panel, lights, engine, and the battery.**

2. Scrape heavy buildup of grass and dirt from the underside of the mower. Then wash the mower with a garden hose.
3. Check the condition of the blade(s); refer to Cutting Blade, page 19.
4. Check the condition of the blade drive belt.
5. Grease the mower deck; refer to Greasing and Lubrication, page 21.
6. Check and tighten all bolts, nuts, and screws. Repair or replace any part that is damaged or defective.
7. Paint all scratched or bare metal surfaces. Paint is available from your Authorized Service Dealer.
8. Store the machine in a clean, dry garage or storage area. Remove the key from the ignition switch and keep it in a memorable place. Cover the machine to protect it and keep it clean.

# Troubleshooting

PROBLEM	POSSIBLE CAUSES	CORRECTIVE ACTION
Abnormal vibration.	<ol style="list-style-type: none"> <li>1. Cutting blade(s) is bent or unbalanced.</li> <li>2. Blade mounting bolt is loose.</li> <li>3. Engine mounting bolts are loose.</li> <li>4. Loose engine pulley, idler pulley, or blade pulley.</li> <li>5. Engine pulley is damaged.</li> </ol>	<ol style="list-style-type: none"> <li>1. Install new cutting blade(s).</li> <li>2. Tighten blade mounting bolt.</li> <li>3. Tighten engine mounting bolts.</li> <li>4. Tighten the appropriate pulley.</li> <li>5. Contact Authorized Service Dealer.</li> </ol>
Blade(s) does not rotate.	<ol style="list-style-type: none"> <li>1. Blade drive belt is worn, loose or broken.</li> <li>2. Blade drive belt is off pulley.</li> <li>3. PTO belt is worn, loose or broken.</li> </ol>	<ol style="list-style-type: none"> <li>1. Install new blade drive belt.</li> <li>2. Install blade drive belt and check idler pulley and belt guides for correct position.</li> <li>3. Install new PTO belt.</li> </ol>
Uneven cutting height.	<ol style="list-style-type: none"> <li>1. Tire pressure is incorrect.</li> <li>2. Mower is not level.</li> <li>3. Underside of mower is dirty.</li> </ol>	<ol style="list-style-type: none"> <li>1. Set tire pressure.</li> <li>2. Level mower from side-to-side and front-to-rear.</li> <li>3. Clean the underside of the mower.</li> </ol>



# Notes

# Notes





