



**Count on it.**

**Parts Catalog**

**TR-34D Trench Roller**

Model No. 68039—Serial No. 315000001 and Up



# Ordering Replacement Parts

To order replacement parts, please supply the part number, the quantity, and the description of each part desired.

## Understanding Reference Numbers

Each identified part in an illustration has a reference number. The reference number for a part also appears in the parts list, along with other information about the part.

This catalog uses two special reference number formats, one to indicate parts in a service assembly and another to indicate the quantity of a given part in an illustration.

## Service Assembly Reference Numbers

Parts in service assemblies have reference numbers in the form a:b. The a represents the reference number of the entire service assembly and the b represents a sequential number unique to each part within the service assembly.

For example, a wheel assembly might be identified by reference number 6, the tire by 6:1, the valve by 6:2, and the wheel by 6:3. When you order the assembly identified by reference number 6, you receive all parts identified by reference numbers 6:1, 6:2, and 6:3. However, you may also order any part individually. Reference numbers of this type appear in illustration and in parts lists.

## Reference Numbers Indicating Quantity

In an illustration, if a reference number indicates more than one part, the reference number has the form nX y. The n represents the quantity of the part, the X is the multiplication symbol, and the y represents the reference number.

For example, in an illustration, the reference number 2X 37 means that two of the parts identified by reference number 37 are indicated.

# List of Abbreviations

**AR:** as required

**ASM:** assembly

**BBC:** blade brake control

**BHTF:** button head thread forming

**CARR:** carriage

**CCW:** counter clockwise

**CW:** clockwise

**DEG:** degrees

**DPA:** Dual Point Adjustment

**ECM:** electronic control module

**EXT:** external

**FH:** flat head

**GA:** gauge

**HD:** heavy-duty

**HF:** hex flange

**HH:** hex head

**HHF:** hex head flange

**HHFTF:** hex head flange thread forming

**HJ:** hex jam

**HLH:** hex lag head

**HOC:** height-of-cut

**HP:** high pressure

**HSBH:** hex socket button head

**HSFH:** hex socket flat head

**HSH:** hex socket head

**HWH:** hex washer head

**HWHTF:** hex washer head thread forming

**HYD:** hydraulic

**LH:** left hand

**LP:** low pressure

**LPG:** Liquefied Petroleum Gas

**NI:** nylon insert

**NPTF:** national pipe thread fine

**PFH:** phillips flat head

**PPH:** phillips pan head

**PPHTF:** phillips pan head thread forming

**PRH:** phillips round head

**PTH:** phillips truss head

**PTO:** power-take-off

**RH:** right hand

**ROPS:** roll-over protection system

**RRB:** rear roller brush

**SFH:** slotted fillister head

**SHH:** slotted hex head

**SHWH:** slotted hex washer head

**SPH:** slotted pan head

**SQH:** square head

**SRH:** slotted round head

**STD:** standard

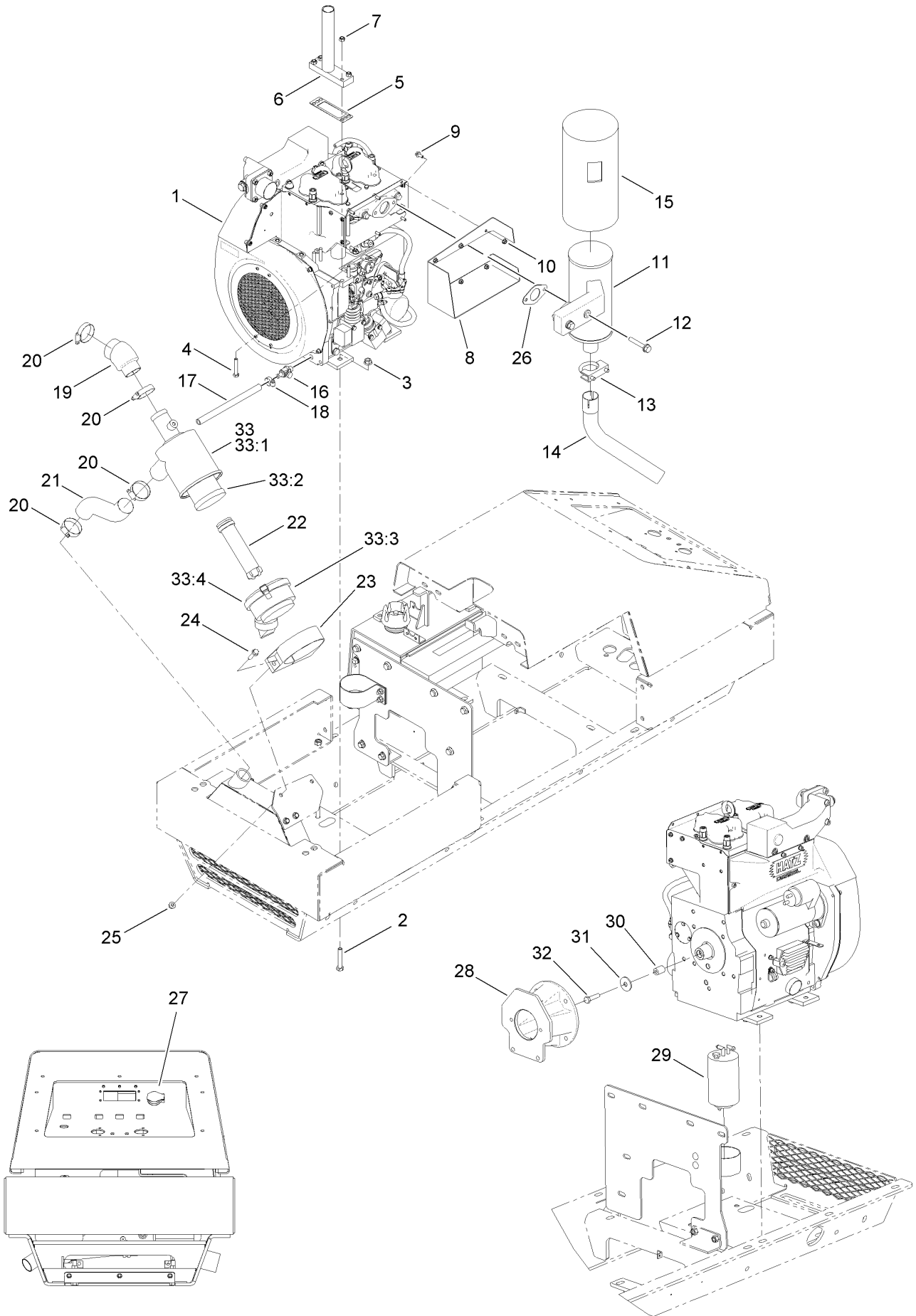
**TAP:** self tapping

**TTH:** torx truss head

# Contents

Engine, Air Cleaner and Muffler Assembly .....	4
Fuel Tank Assembly .....	6
Frame Assembly .....	8
Drum and Scraper Assembly .....	10
Parking Brake Assembly No. ST58161 .....	12
Hydraulic Tank, Manifold and Pump Assembly .....	14
Return Filter Assembly No. ST39991 .....	16
Hydraulic Manifold Assembly No. ST50269 .....	18
Wheel Motor and Counter Balance Weight Assembly .....	20
Hydraulic Gear Motor Assembly No. ST58875 .....	22
Battery and Control System Assembly .....	24
Junction Box Assembly No. ST48556 .....	26
Electric Junction Box Assembly No. ST48558 .....	28
Radio and Cable Assembly .....	30
Hydraulic Routing Assembly Main Frame .....	32
Hydraulic Routing Assembly Wheel Motor and Manifold .....	34
Hydraulic Routing Assembly Tank Assembly .....	36
Hood Assembly .....	38
Hood Latch and Wear Strip Assembly .....	40
Attachments and Accessories .....	42

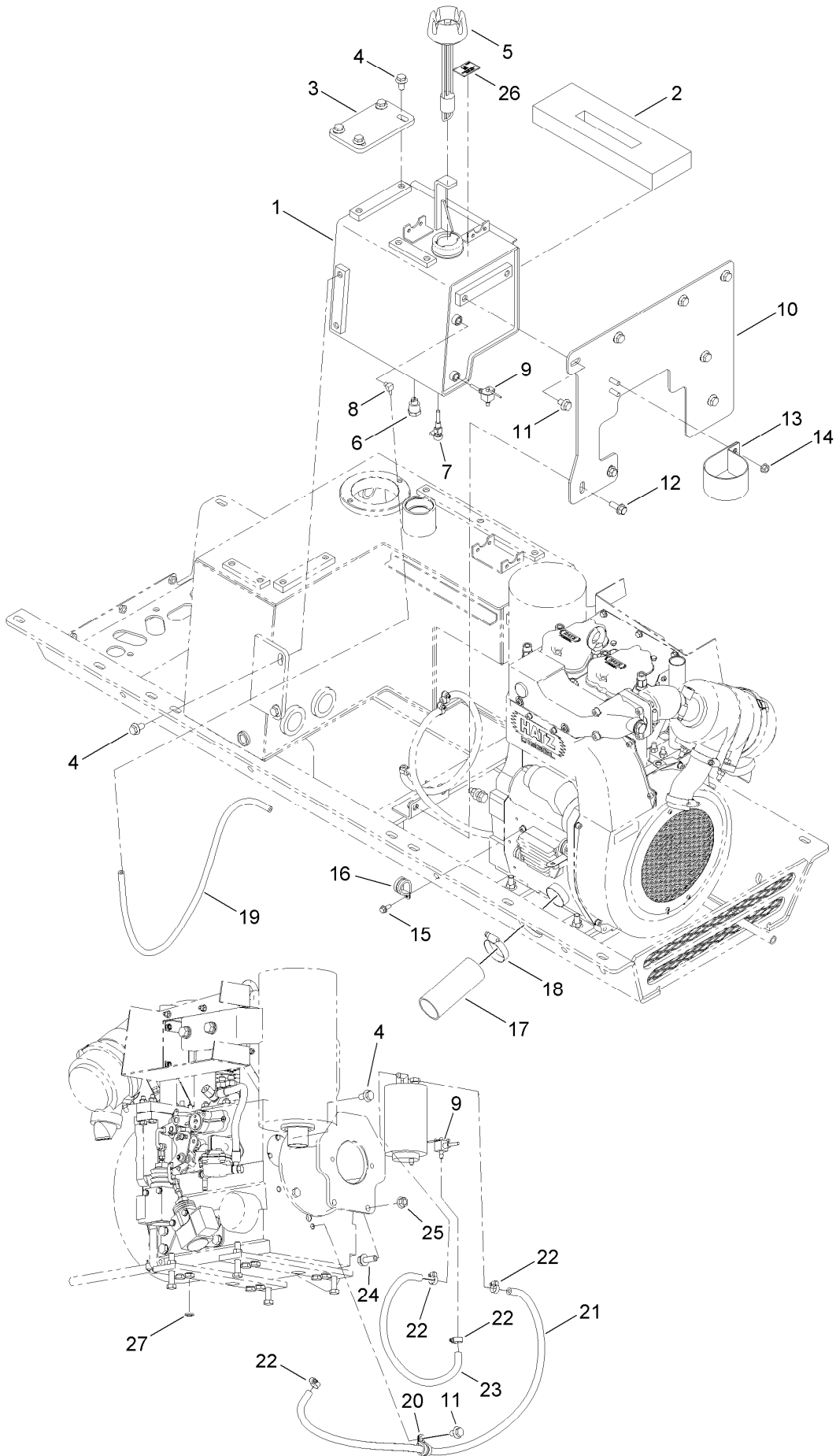
# Engine, Air Cleaner and Muffler Assembly



## Engine, Air Cleaner and Muffler Assembly (continued)

<i>Ref.</i>	<i>Part Number</i>	<i>Qty.</i>	<i>Description</i>	<i>Ref.</i>	<i>Part Number</i>	<i>Qty.</i>	<i>Description</i>
1	127-7553	1	Engine-Hatz	20	2412-130	4	Clamp-Hose
2	ST81032	4	Screw-HH	21	ST47448	1	Hose-Flex, Vacuum
3	33005-00	5	Nut-HF	22	98-2982	1	Filter-Element, Safety
4	33114-050	2	Screw-HH	23	ST39911	1	Band-Mounting, Air Cleaner
5	ST42976	1	Gasket-Filler, Oil	24	33104-035	2	Screw-HHF
6	ST36541-03	1	Filler-Oil	25	33004-00	2	Nut-HF
7	33024-00	4	Nut-Lock, NI	26	125-6365	1	Gasket
8	ST36461-03	1	Ducting-Air, Out Extension	27	ST36307	1	Switch-Ignition
9	33103-016	6	Screw-HHF	28	ST30391	1	Housing-Mounting, Pump
10	33003-00	6	Nut-HF	29	ST30345	1	Filter-Fuel/Water Separator
11	ST39866	1	Muffler	30	125-6366	1	Insert-Thread
12	33105-060	2	Screw-HHF	31	ST81262	1	Washer-Flat
13	ST36779	1	Clamp-Muffler	32	ST80837	1	Screw-HH
14	ST39867	1	Tailpipe	33	ST36558	1	Air Cleaner ASM
15	ST31277	1	Blanket-Insulation, Exhaust	33:1	ST39918	1	Cover-Air Cleaner
16	ST38680	1	Valve-Drain, Oil	33:2	ST36559	1	Element-Filter, Air
17	ST36606	1	Hose	33:3	125-6363	1	Cover-Latching
18	2412-36	1	Clamp-Hose	33:4	ST36560	1	Valve-Vacuator
19	ST47445	1	Hose-Intake, Air, Engine				

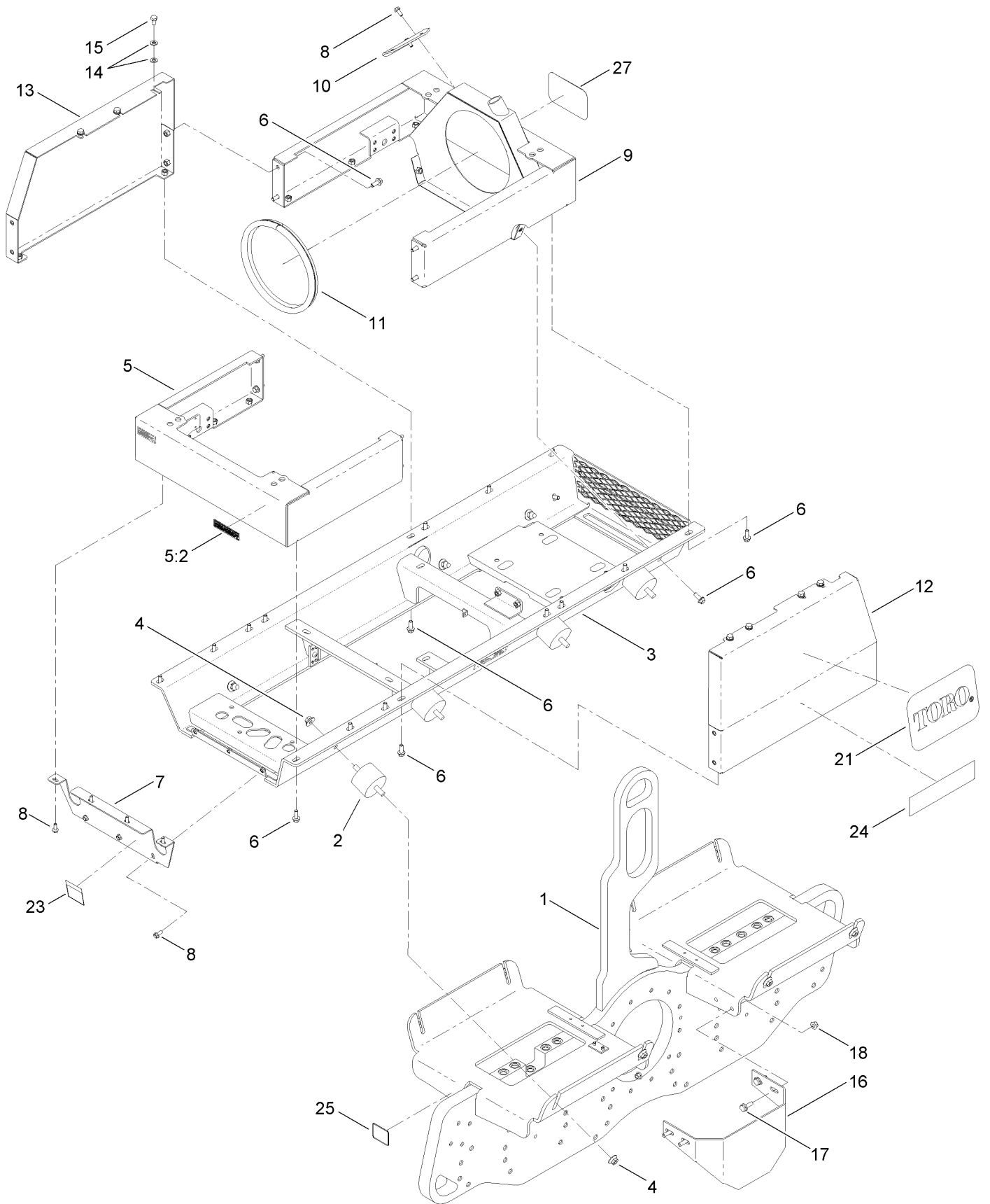
# Fuel Tank Assembly



## Fuel Tank Assembly (continued)

<i>Ref.</i>	<i>Part Number</i>	<i>Qty.</i>	<i>Description</i>	<i>Ref.</i>	<i>Part Number</i>	<i>Qty.</i>	<i>Description</i>
1	ST39865-03	1	Cell-Fuel Tank	15	33103-016	2	Screw-HHF
2	ST47488	1	Isolator-Lifteye	16	ST36617	2	Clamp
3	ST36434-03	1	Plate-Mounting, HYD Fuel	17	ST47459	1	Hose-Breather
4	33105-020	10	Screw-HHF	18	2412-130	1	Clamp-Hose
5	ST36718	1	Gauge-Fuel	19	ST36778	1	Hose-Fuel, Return
6	ST46108	1	Plug-HH, Magnetic	20	ST35448	1	Clamp
7	ST46009	1	Valve And Strainer ASM	21	125-8591	1	Hose-Fuel
8	ST46365	1	Fitting-HYD, Elbow	22	2412-108	4	Clamp-Worm
9	ST39056	1	Valve-Strainer	23	110-5706	1	Hose-Fuel
10	125-8550-03	1	Shield-Heat	24	33105-030	1	Screw-HHF
11	33105-016	7	Screw-HHF	25	33005-00	5	Nut-HF
12	3234-42	2	Screw-HHF	26	130-2845	1	Decal-Ultra Low Sulfur Diesel
13	ST36544-03	1	Strap-Separator, Water				
14	33004-00	2	Nut-HF	27	ST81179	8	Washer-Flat

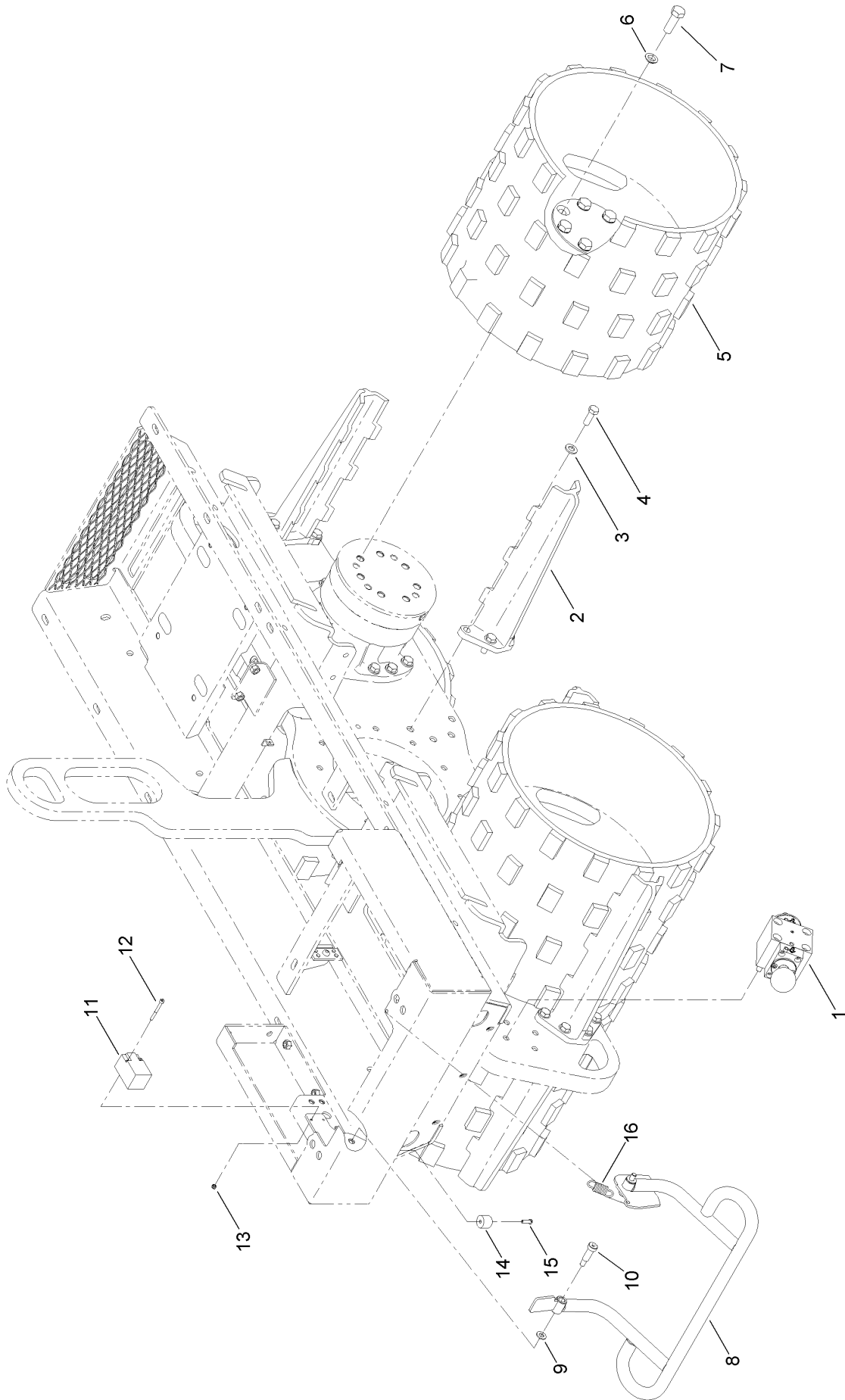
# Frame Assembly



## Frame Assembly (continued)

<i>Ref.</i>	<i>Part Number</i>	<i>Qty.</i>	<i>Description</i>	<i>Ref.</i>	<i>Part Number</i>	<i>Qty.</i>	<i>Description</i>
1	125-6379	1	Frame-Lower	12	125-8224-03	1	Cover-Right
2	ST47443	8	Mount-Shock, Frame	13	125-8225-03	1	Cover-Left
3	125-8230-03	1	Frame-Upper	14	33095-00	14	Washer-Flat
4	32128-56	16	Nut-HF	15	33115-016	7	Screw-HH
5	127-2870	1	Operator Hood Rail ASM	16	ST57781-03	1	Guard-Motor, Eccentric
5:2	117-2718	1	Decal-Arrester, Spark	17	33105-030	4	Screw-HHF
6	3234-42	26	Screw-HHF	18	33005-00	4	Nut-HF
7	ST39983-03	1	Cover-Frame, Lower (Back)	21	105-4222	2	Decal
8	98-9940	9	Screw	23	125-8189	1	Decal-Parking Brake
9	125-6389-03	1	Rail-Hood, Engine	24	125-8186	2	Decal
10	ST36483-03	1	Bracket-Mounting, Air Filter	25	125-6694	2	Decal-Tie Down
11	ST47454	1	Seal-Inlet, Air	27	99-4693	1	Decal

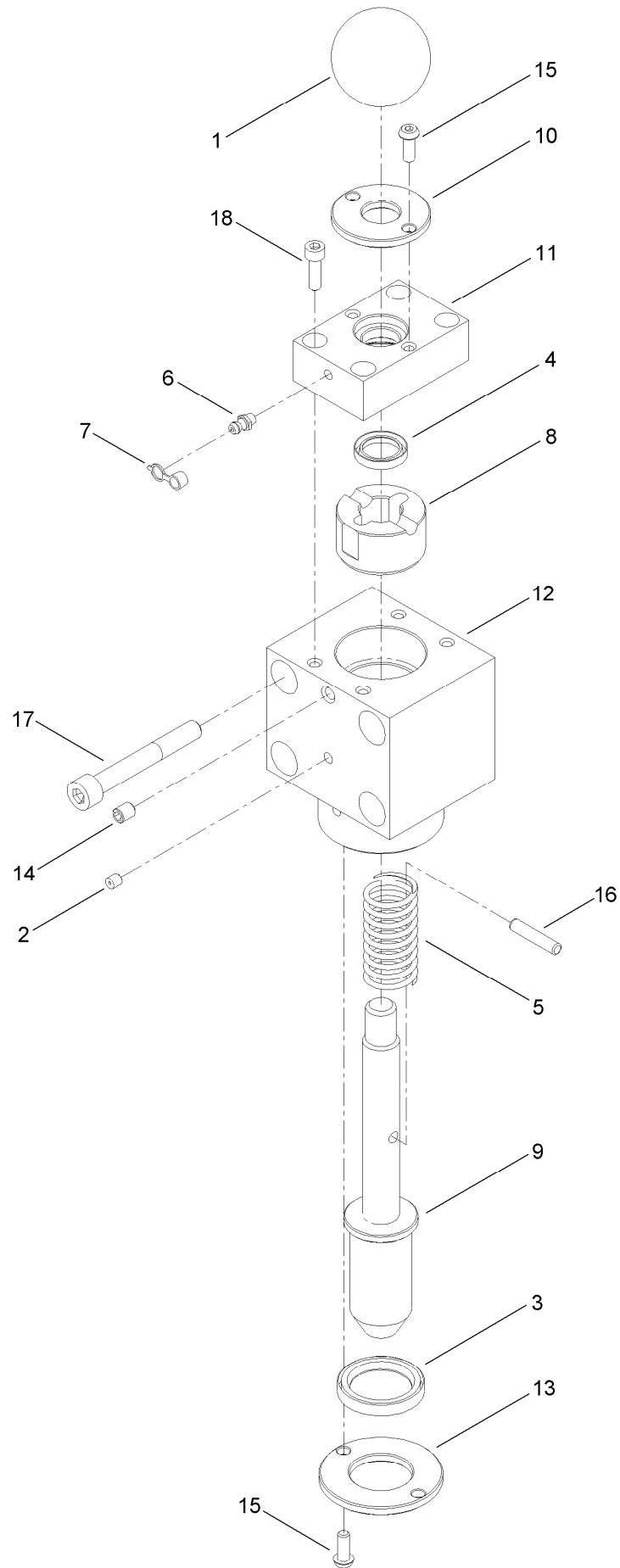
# Drum and Scraper Assembly



## Drum and Scraper Assembly (continued)

<i>Ref.</i>	<i>Part Number</i>	<i>Qty.</i>	<i>Description</i>	<i>Ref.</i>	<i>Part Number</i>	<i>Qty.</i>	<i>Description</i>
1	ST58161	1	Brake Parking ASM	9	3256-24	2	Washer-Flat
2	ST39833-03	8	Scraper-Drum, Wide	10	ST81153	2	Screw-HSBH
3	33096-00	32	Washer-Flat	11	ST48532	1	Switch-Proximity
4	ST81029	32	Screw-HH	12	ST81178	2	Screw-HSH
5	ST39821	4	Drum-Wide	13	ST80850	2	Nut
6	ST36556	28	Spacer-Drum	14	ST48495	1	Bumper-Bar, Safety
7	ST80976	28	Screw-HH	15	ST80847	1	Screw-HSBH
8	ST37484-03	1	Bar-Safety	16	ST39008	1	Spring-Extension

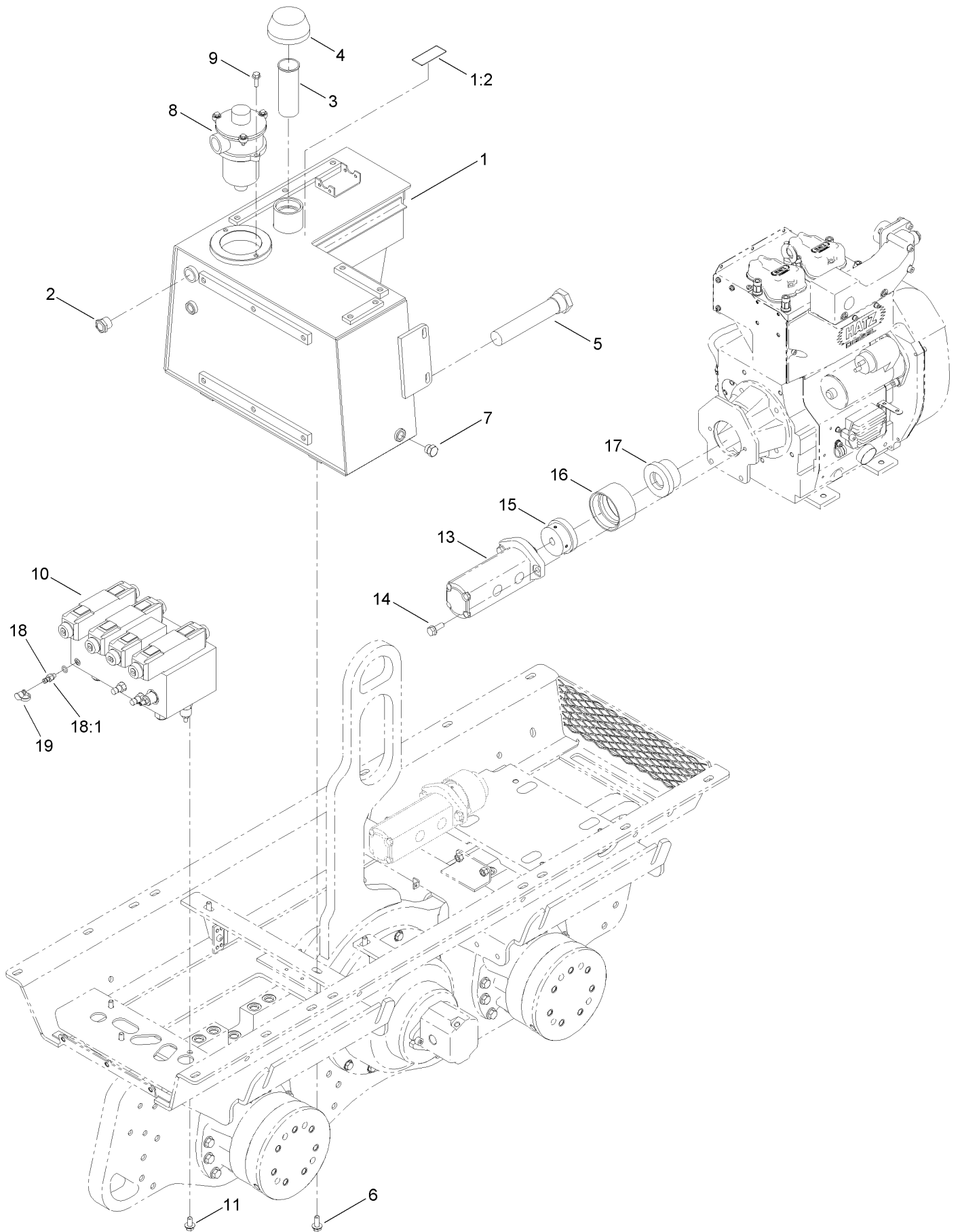
# Parking Brake Assembly No. ST58161



## Parking Brake Assembly No. ST58161 (continued)

<i>Ref.</i>	<i>Part Number</i>	<i>Qty.</i>	<i>Description</i>	<i>Ref.</i>	<i>Part Number</i>	<i>Qty.</i>	<i>Description</i>
1	ST32687	1	Knob-Ball	11	ST58158	1	Housing-Upper, Brake Parking
2	ST36696	1	Plug	12	ST58159	1	Housing-Lower, Brake Parking
3	ST36697	1	Seal-Lip	13	ST58160	1	Cap-Lower, Brake Parking
4	ST36698	1	Seal-Lip	14	ST80868	1	Screw-HSH, Set
5	ST36699	1	Spring-Compression	15	ST81022	4	Screw-HSBH
6	ST46042	2	Fitting-Grease	16	107-8899	1	Pin-Dowel
7	ST47001	2	Cap-Plug	17	ST81070	4	Screw-HSH
8	ST58155	1	Bushing-Brake, Parking	18	ST81213	4	Screw-HSH
9	ST58156	1	Piston-Brake Parking				
10	ST58157	1	Cap-Upper, Brake Parking				

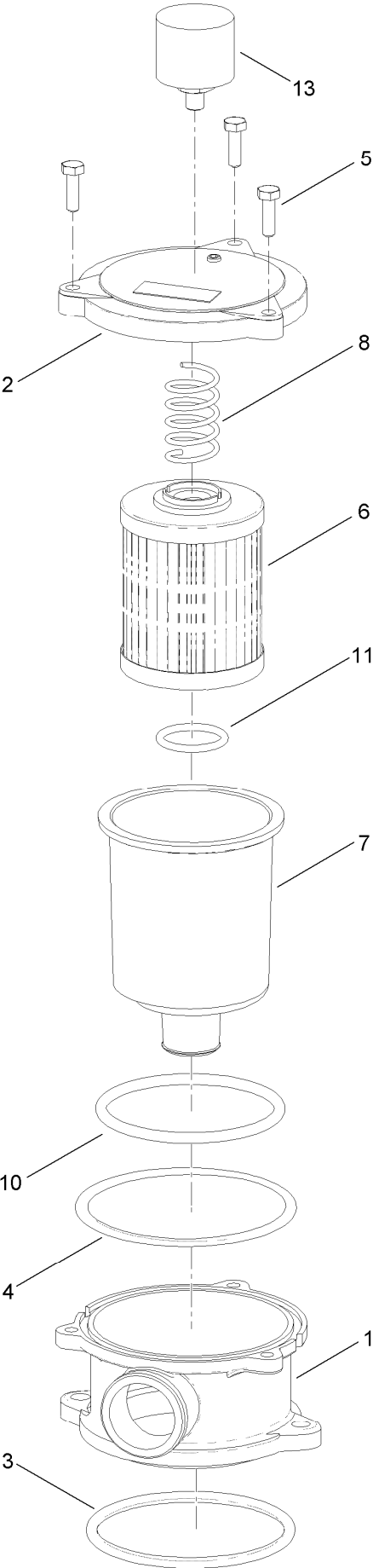
# Hydraulic Tank, Manifold and Pump Assembly



## Hydraulic Tank, Manifold and Pump Assembly (continued)

<i>Ref.</i>	<i>Part Number</i>	<i>Qty.</i>	<i>Description</i>	<i>Ref.</i>	<i>Part Number</i>	<i>Qty.</i>	<i>Description</i>
1	127-2873	1	HYD Tank ASM	10	ST50269	1	HYD Manifold ASM
1:2	125-4964	1	Decal-Caution, HYD Fluid	11	33105-020	3	Screw-HHF
2	ST38534	1	Glass Sight ASM	13	ST32656	1	HYD Triple Gear Pump ASM
3	ST46951	1	Basket-Strainer	14	33105-030	2	Screw-HHF
4	ST46934	1	Breather-HYD	15	ST30632	1	Coupling
5	ST39088	2	Strainer	16	ST30634	1	Sleeve-Coupling
6	33105-025	4	Screw-HHF	17	ST30633	1	Coupling
7	ST46638	3	Plug	18	354-77	3	Fitting-Quick
8	ST39991	1	Return Filter ASM	18:1	237-78	1	O-Ring
9	33104-025	2	Screw-HHF	19	354-79	3	Cap-Dust

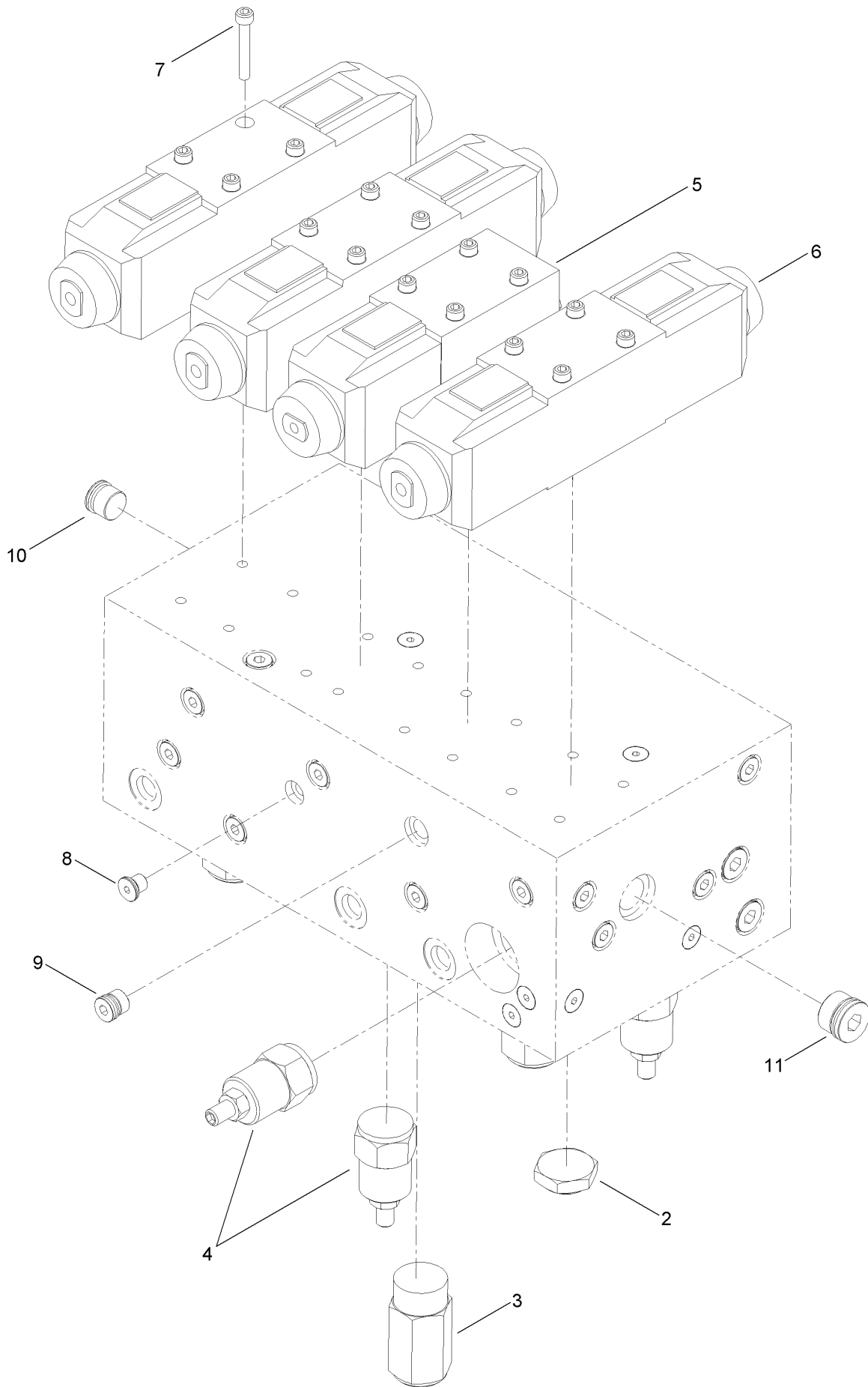
# Return Filter Assembly No. ST39991



## Return Filter Assembly No. ST39991 (continued)

<i>Ref.</i>	<i>Part Number</i>	<i>Qty.</i>	<i>Description</i>	<i>Ref.</i>	<i>Part Number</i>	<i>Qty.</i>	<i>Description</i>
1	ST39994	1	Housing-Head, Filter	7	ST39995	1	Bowl-Filter
2	ST39992	1	Cover-Filter	8	127-5554	1	Spring-Compression
3	127-5550	1	O-Ring-Filter Head	10	127-5552	1	O-Ring-Filter Bowl
4	127-5551	1	O-Ring-Filter Cover	11	127-5553	1	O-Ring-Filter Element
5	33103-020	3	Screw-HHF	13	ST36987	1	Gauge-Indicator, Filter Clogging
6	ST39993	1	Element-Filter, 10 Micron				

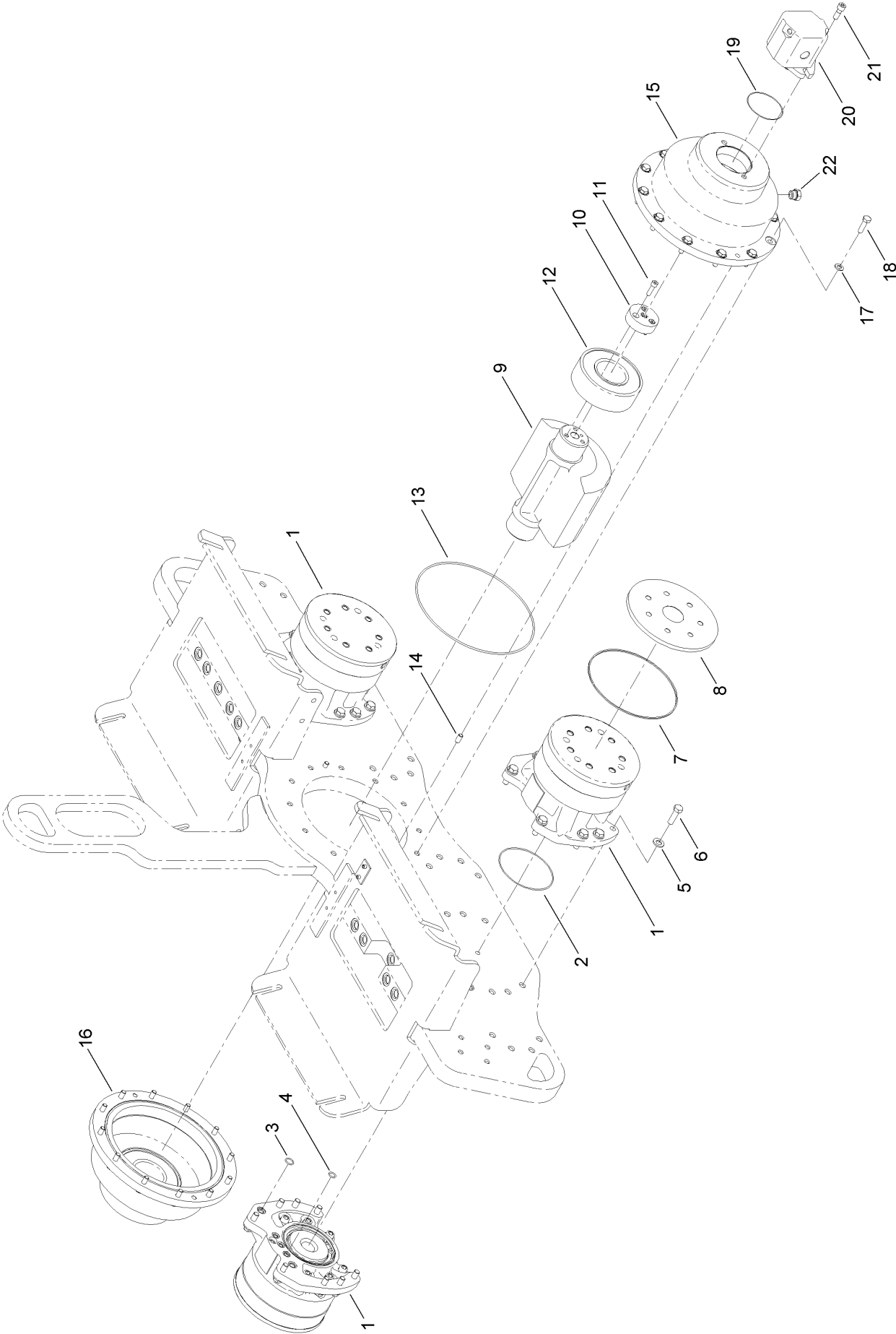
# Hydraulic Manifold Assembly No. ST50269



# Hydraulic Manifold Assembly No. ST50269 (continued)

<i>Ref.</i>	<i>Part Number</i>	<i>Qty.</i>	<i>Description</i>	<i>Ref.</i>	<i>Part Number</i>	<i>Qty.</i>	<i>Description</i>
2	127-7542	2	Valve-Check	7	3274-13	16	Screw-HSH
3	127-7543	3	Valve-Relief	8	106-1024	10	Plug-Leak, Zero
4	127-7544	4	Valve-Counterbalance	9	106-1025	26	Plug-HYD
5	127-7545	1	Valve-Control, Directional	10	106-1026	4	Plug-HYD
6	127-7546	3	Valve-Control, Directional	11	106-1027	1	Plug-HYD

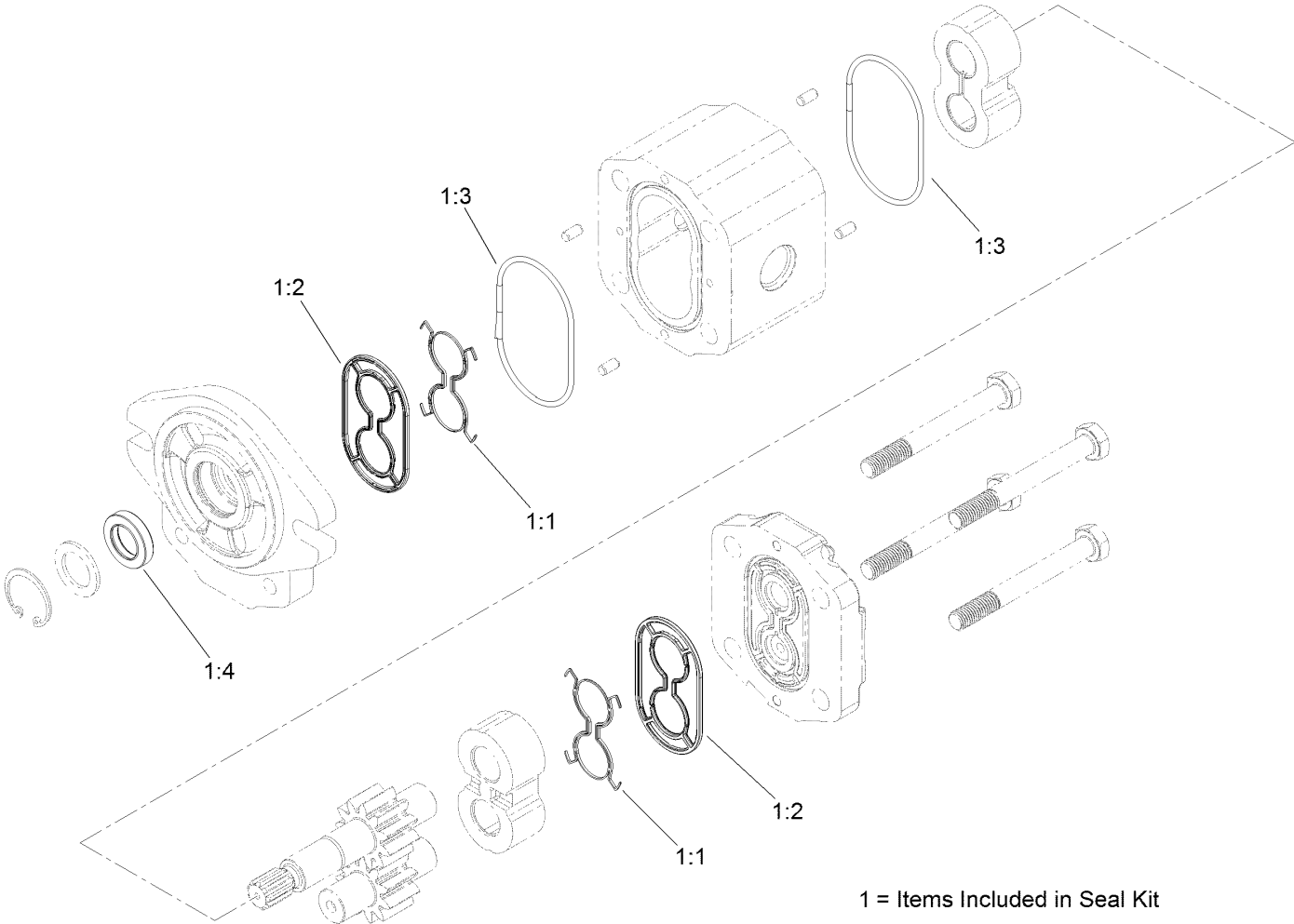
# Wheel Motor and Counter Balance Weight Assembly



# Wheel Motor and Counter Balance Weight Assembly (continued)

<i>Ref.</i>	<i>Part Number</i>	<i>Qty.</i>	<i>Description</i>	<i>Ref.</i>	<i>Part Number</i>	<i>Qty.</i>	<i>Description</i>
1	ST39871	4	HYD Motor ASM	12	ST32234	2	Bearing-Roller
2	ST47465	4	O-Ring	13	ST39872	2	O-Ring
3	ST32299	8	O-Ring	14	ST81001	4	Pin
4	ST47463	12	O-Ring	15	ST57777	1	Cap-Motor, Eccentric
5	33096-00	32	Washer-Flat	16	ST57776	1	Cap-End, Eccentric
6	ST81030	32	Screw-HH	17	33095-00	24	Washer-Flat
7	ST47467	4	Seal-Lip, Blue	18	ST81027	24	Screw-HH
8	ST47466	4	Cover-Protector	19	ST47301	1	O-Ring
9	ST57775	1	Weight-Counter, Eccentric	20	ST58875	1	HYD Gear Motor ASM
10	ST29266	1	Shaft-Extension, Eccentric	21	ST80872	2	Screw-HSH
11	ST80711	3	Screw-HSH	22	ST46638	3	Plug

# Hydraulic Gear Motor Assembly No. ST58875



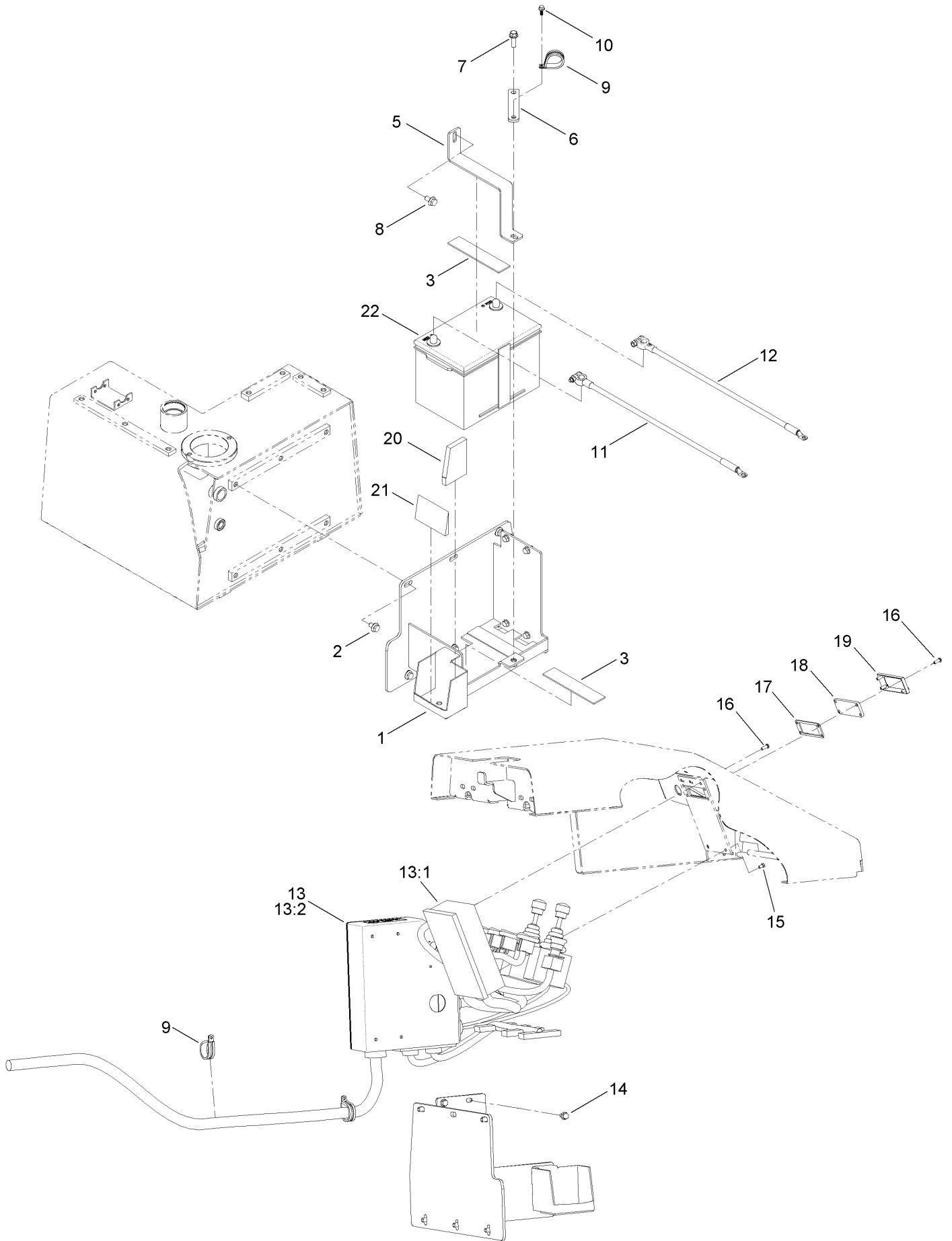
# Hydraulic Gear Motor Assembly No. ST58875 (continued)

<i>Ref.</i>	<i>Part Number</i>	<i>Qty.</i>	<i>Description</i>	<i>Ref.</i>	<i>Part Number</i>	<i>Qty.</i>	<i>Description</i>
1	104-4284	1	Seal Kit ●	1:3		2	O-Ring ■
1:1		2	Seal (Cover) ■	1:4		1	Seal-Lip, Shaft ■
1:2		2	Pressure Seal ■				

● Not illustrated

■ Not serviced separately

# Battery and Control System Assembly

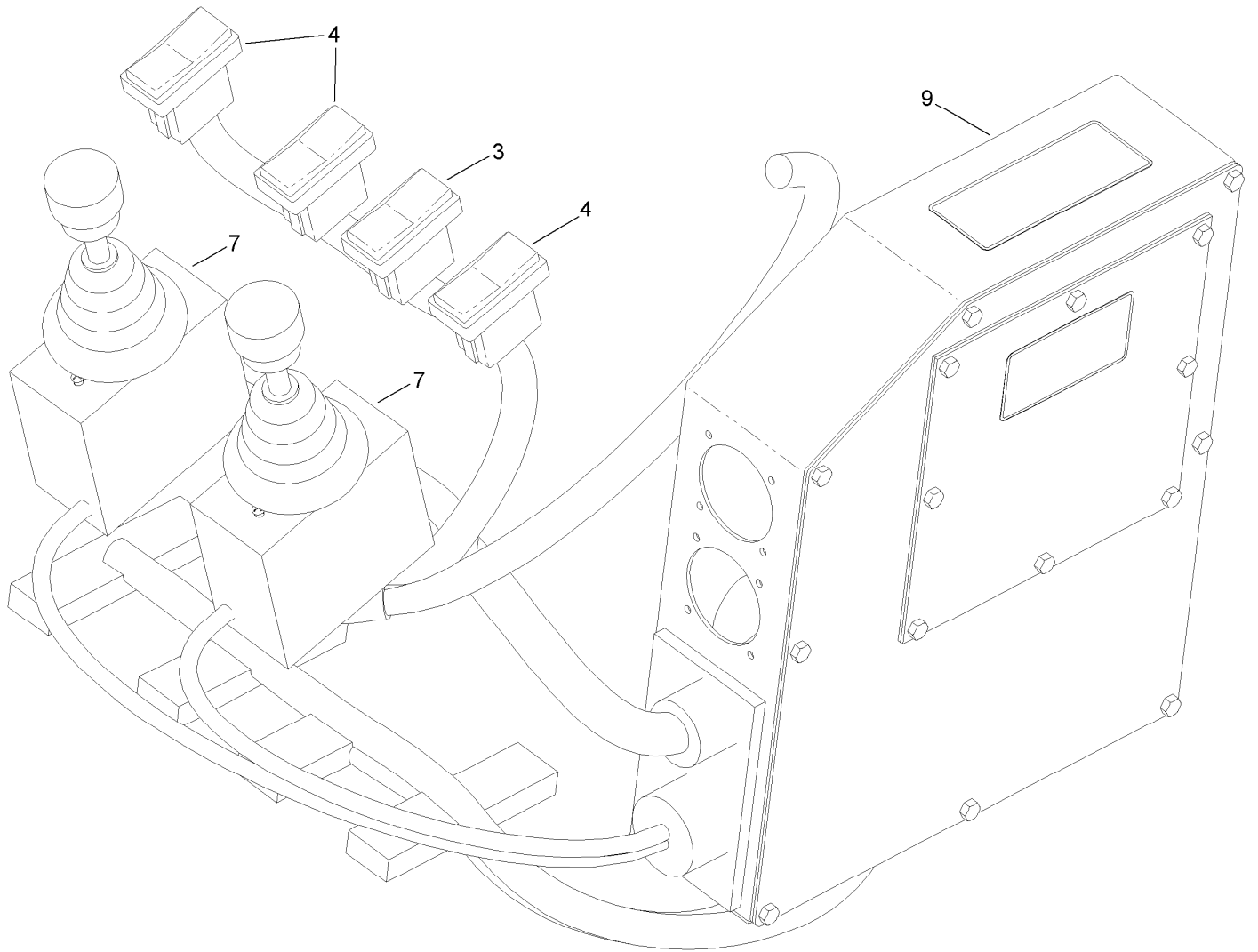


## Battery and Control System Assembly (continued)

<i>Ref.</i>	<i>Part Number</i>	<i>Qty.</i>	<i>Description</i>	<i>Ref.</i>	<i>Part Number</i>	<i>Qty.</i>	<i>Description</i>
1	125-8231-03	1	Panel-Electrical	13:2	ST48556	1	Junction Box ASM
2	33105-016	5	Screw-HHF	13:3	ST48647	1	Harness-Wire ●
3	ST47244	4	Rubber	14	33104-016	4	Screw-HHF
5	ST57908-03	1	Strap-Battery	15	42-9430	2	Screw-HH
6	125-8595-03	1	Bracket-Wire Harness	16	ST81022	7	Screw-HSBH
7	119-4061	1	Screw-HHF	17	ST36515	1	Gasket-Cover
8	33105-020	1	Screw-HHF	18	ST36514	1	Cover
9	ST36630	3	Clamp	19	ST36627	1	Cover-Lens
10	99-6810	1	Screw-HHF	20	ST36613	2	Pad-Foam
11	127-7519	1	Cable-Battery, Negative	21	ST36614	2	Pad-Foam
12	127-7518	1	Cable-Battery, Positive	22	ST32727	1	Battery-Dry Cell
13	130-2840	1	Control System Kit				
13:1	ST48554	1	Box-Control Ignition, Electronic				

● Not illustrated

# Junction Box Assembly No. ST48556

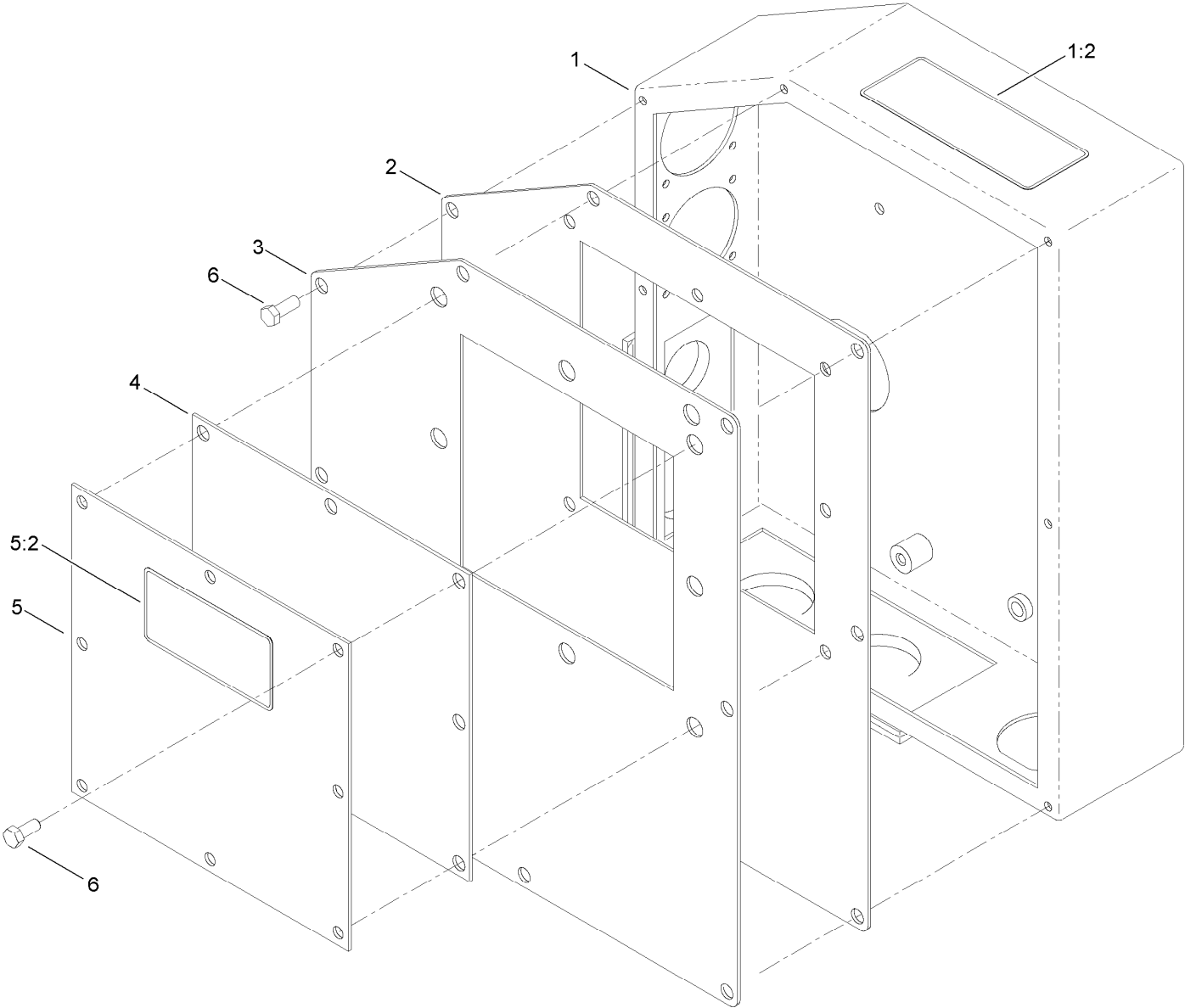


## Junction Box Assembly No. ST48556 (continued)

<i>Ref.</i>	<i>Part Number</i>	<i>Qty.</i>	<i>Description</i>	<i>Ref.</i>	<i>Part Number</i>	<i>Qty.</i>	<i>Description</i>
1	ST37076	1	Fuse-10 Amp ●	7	ST48557	2	Controller-Joystick
2	1-643275	1	Relay ●	8	127-7576	1	Cable-Switch, Proximity ●
3	ST48439	1	Switch-Rocker, 3 Position	9	ST48558	1	Box-Junction, Electric
4	ST48440	3	Switch-Rocker, 2 Position	10	127-5599	7	Harness-Wire, Solenoid ●
5	ST48524	1	Fuse-30 Amp ●	11	127-2848	1	Switch-Angle 45Degree ●
6	ST48526	1	Fuse-1 Amp ●				

● Not illustrated

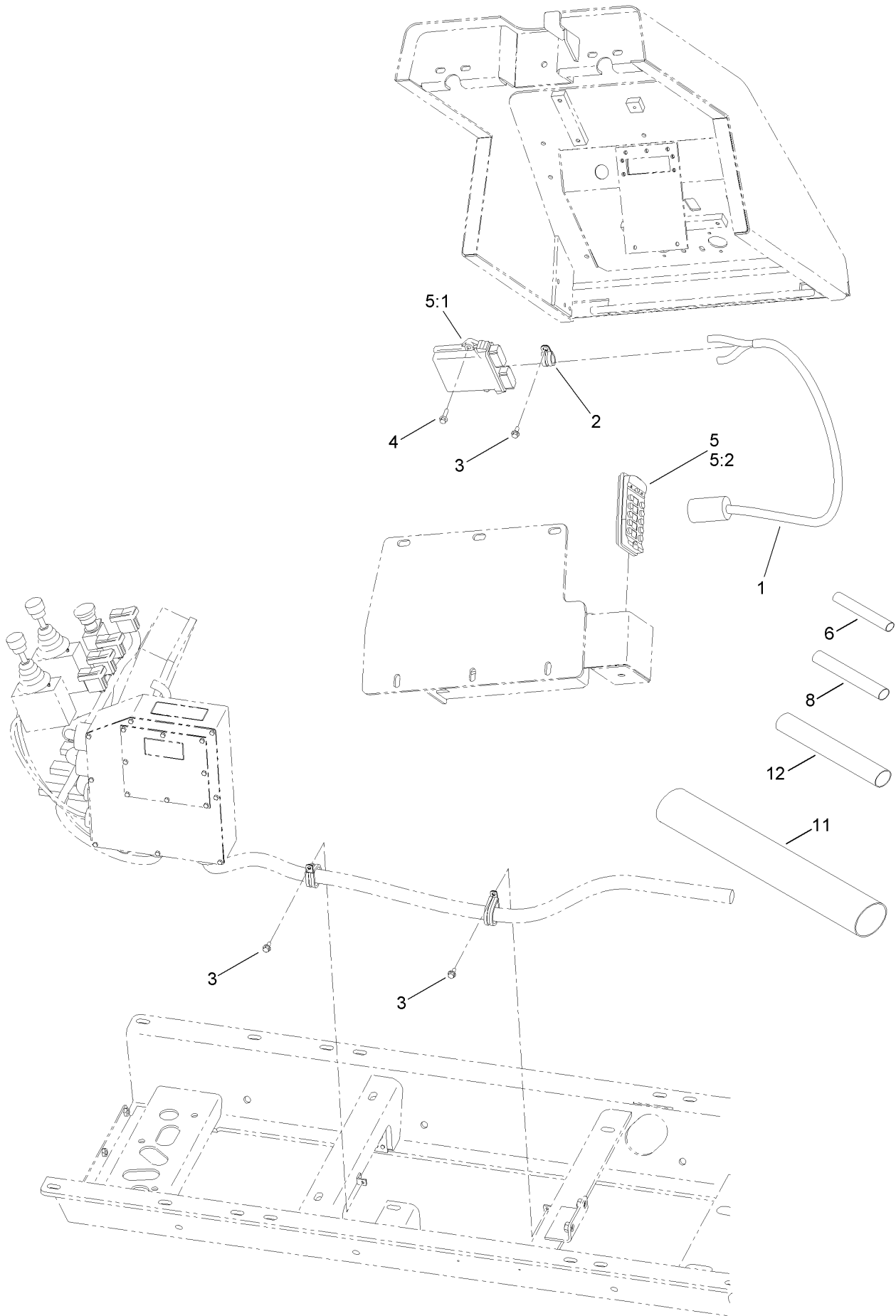
# Electric Junction Box Assembly No. ST48558



# Electric Junction Box Assembly No. ST48558 (continued)

<i>Ref.</i>	<i>Part Number</i>	<i>Qty.</i>	<i>Description</i>	<i>Ref.</i>	<i>Part Number</i>	<i>Qty.</i>	<i>Description</i>
1	127-2875	1	Electric Junction Box	5	127-2874	1	Auxillary Electric Cover ASM
1:2	125-8187	1	Decal-Caution, Electronics	5:2	125-8188	1	Decal-Caution, Fuse Replacement
2	ST48455	1	Gasket-Box, Junction (Main)	6	ST81037	16	Screw-HH
3	ST48454	1	Cover-Box, Junction (Main)				
4	ST48457	1	Gasket-Box, Junction (Auxillary)				

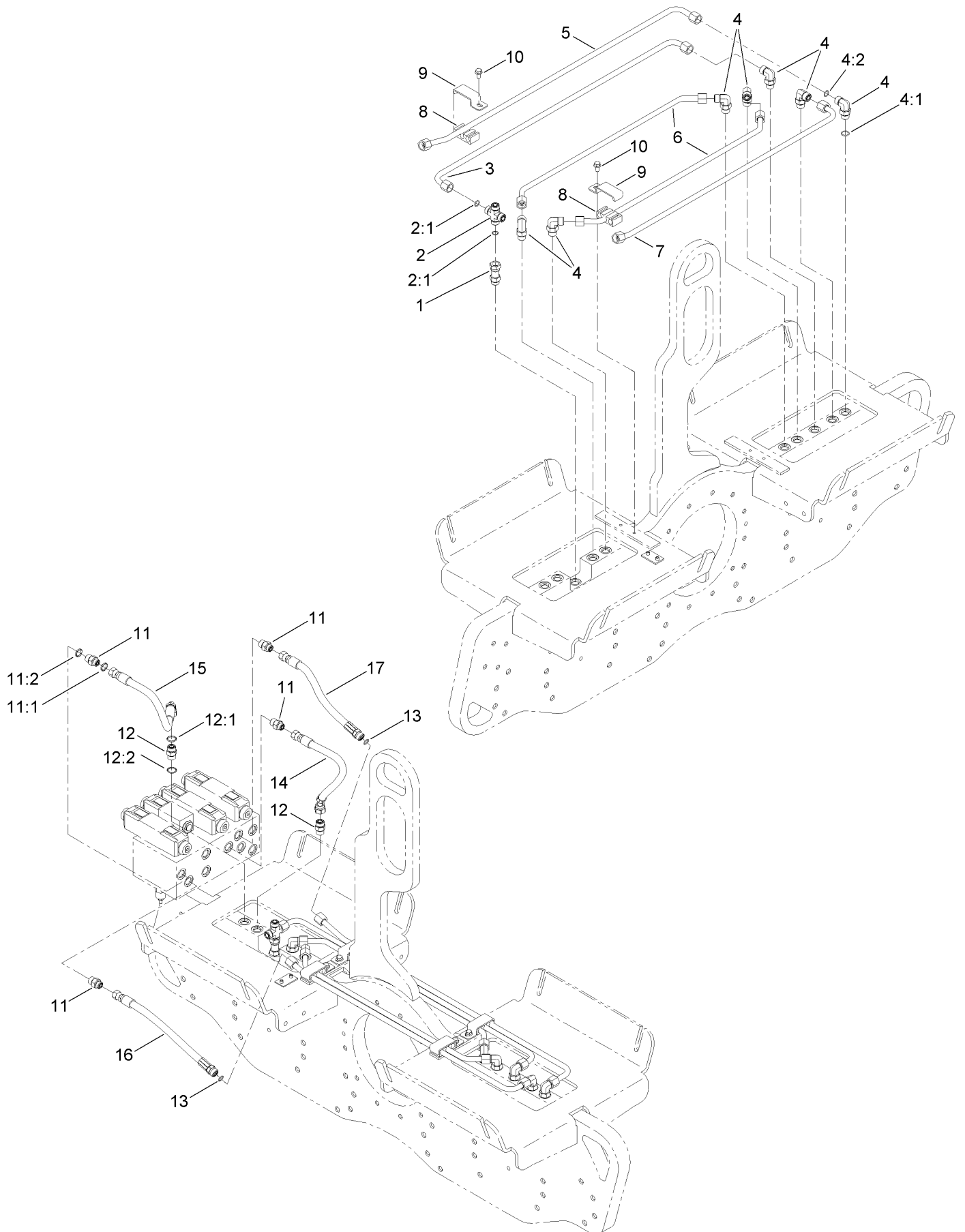
# Radio and Cable Assembly



## Radio and Cable Assembly (continued)

<i>Ref.</i>	<i>Part Number</i>	<i>Qty.</i>	<i>Description</i>	<i>Ref.</i>	<i>Part Number</i>	<i>Qty.</i>	<i>Description</i>
1	ST48560	1	Cable ASM	6	ST47596	2	Tubing-Shrink, Heat (3/8In Id)
2	ST35448	1	Clamp	8	ST47598	1	Tubing-Shrink, Heat (3/4In Id)
3	33103-016	3	Screw-HHF	11	ST47590	1	Tubing-Shrink, Heat (3In Id)
4	33103-025	2	Screw-HHF	12	ST47595	2	Tubing-Shrink, Heat (1.5In Id)
5	ST23672	1	Omnex Radio Kit				
5:1	ST48553	1	Receiver-Bulldog				
5:2	ST48598	1	Transmitter				

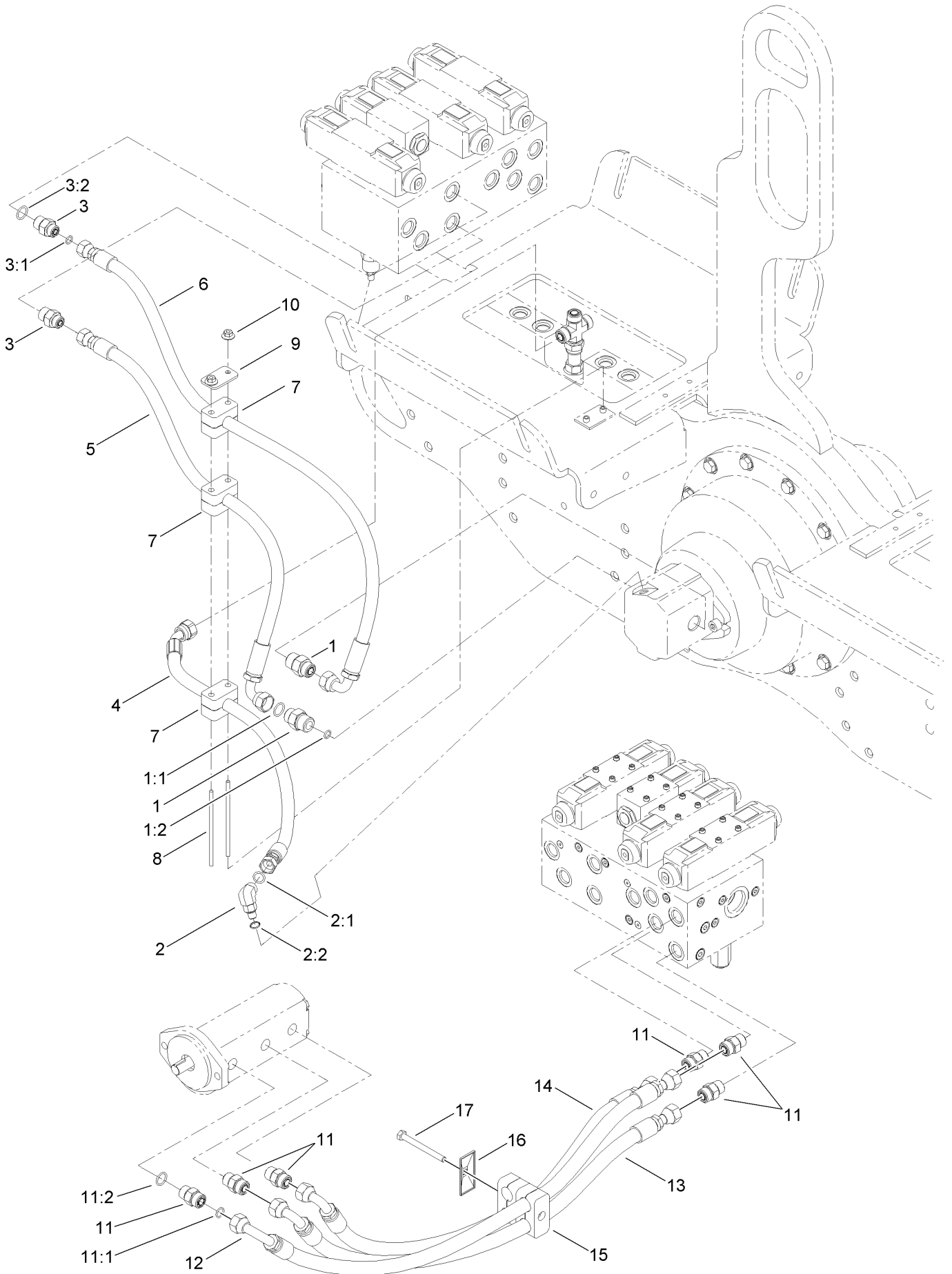
# Hydraulic Routing Assembly Main Frame



## Hydraulic Routing Assembly Main Frame (continued)

<i>Ref.</i>	<i>Part Number</i>	<i>Qty.</i>	<i>Description</i>	<i>Ref.</i>	<i>Part Number</i>	<i>Qty.</i>	<i>Description</i>
1	ST46912	1	Fitting-HYD	10	33104-016	4	Screw-HHF
2	100-7670	1	Adapter-HYD	11	340-3	4	Adapter
2:1	237-30	4	O-Ring	11:1	237-22	1	O-Ring
3	125-8577	1	HYD Tube ASM	11:2	237-79	1	O-Ring
4	340-98	7	Fitting-HYD, 90 DEG	12	340-4	2	Fitting-HYD, Straight
4:1	237-79	1	O-Ring	12:1	237-30	1	O-Ring
4:2	237-30	1	O-Ring	12:2	237-79	1	O-Ring
5	125-8576	1	HYD Tube ASM	13	237-30	2	O-Ring
6	125-8578	2	HYD Tube ASM	14	127-7498	1	Hose ASM
7	125-8579	1	HYD Tube ASM	15	127-7499	1	Hose ASM
8	ST36493	4	Tube-Captivator	16	127-7500	1	Hose ASM
9	ST36484	4	Bracket-Captivator, HYD	17	127-7501	1	Hose ASM

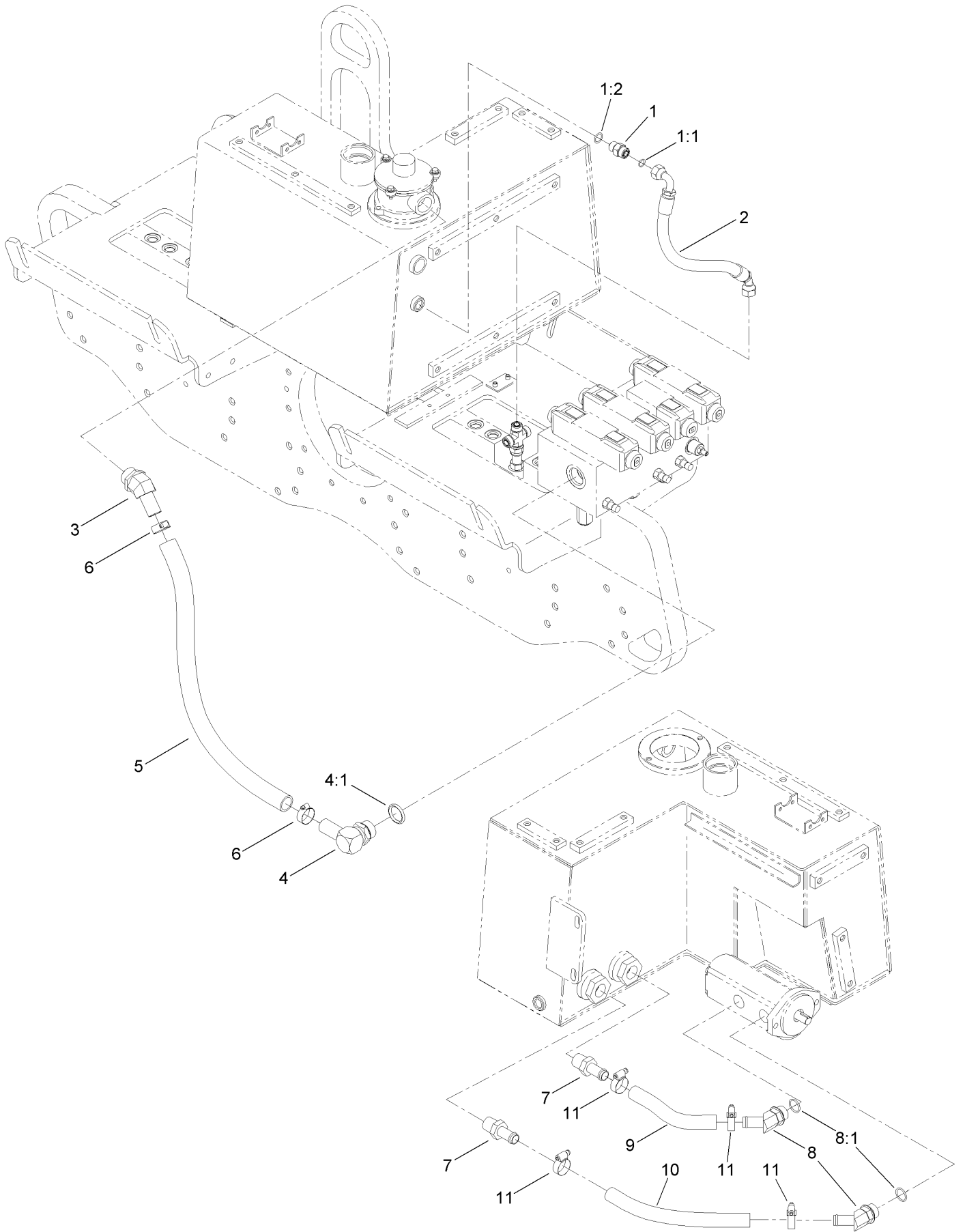
# Hydraulic Routing Assembly Wheel Motor and Manifold



## Hydraulic Routing Assembly Wheel Motor and Manifold (continued)

<i>Ref.</i>	<i>Part Number</i>	<i>Qty.</i>	<i>Description</i>	<i>Ref.</i>	<i>Part Number</i>	<i>Qty.</i>	<i>Description</i>
1	340-6	2	Fitting-HYD, Straight	8	ST36591	2	Rod-Threaded
1:1	237-30	1	O-Ring	9	ST47452	1	Cover-Plate
1:2	237-80	1	O-Ring	10	116-8218	2	Nut-Hex Flange
2	340-97	1	Fitting-HYD, 90 DEG	11	340-4	6	Fitting-HYD, Straight
2:1	237-22	1	O-Ring	11:1	237-30	1	O-Ring
2:2	237-78	1	O-Ring	11:2	237-79	1	O-Ring
3	340-3	2	Adapter	12	127-7502	1	Hose ASM
3:1	237-22	1	O-Ring	13	127-7485	1	Hose ASM
3:2	237-79	1	O-Ring	14	127-7484	1	Hose ASM
4	127-7483	1	Hose ASM	15	127-7523	2	Clamp-Hose, Dual Hose
5	127-7486	1	Hose ASM	16	ST47456	1	Cover-Plate, Dual Hose
6	127-7481	1	Hose ASM	17	322-20	1	Screw-HH
7	127-7522	3	Clamp-Hose				

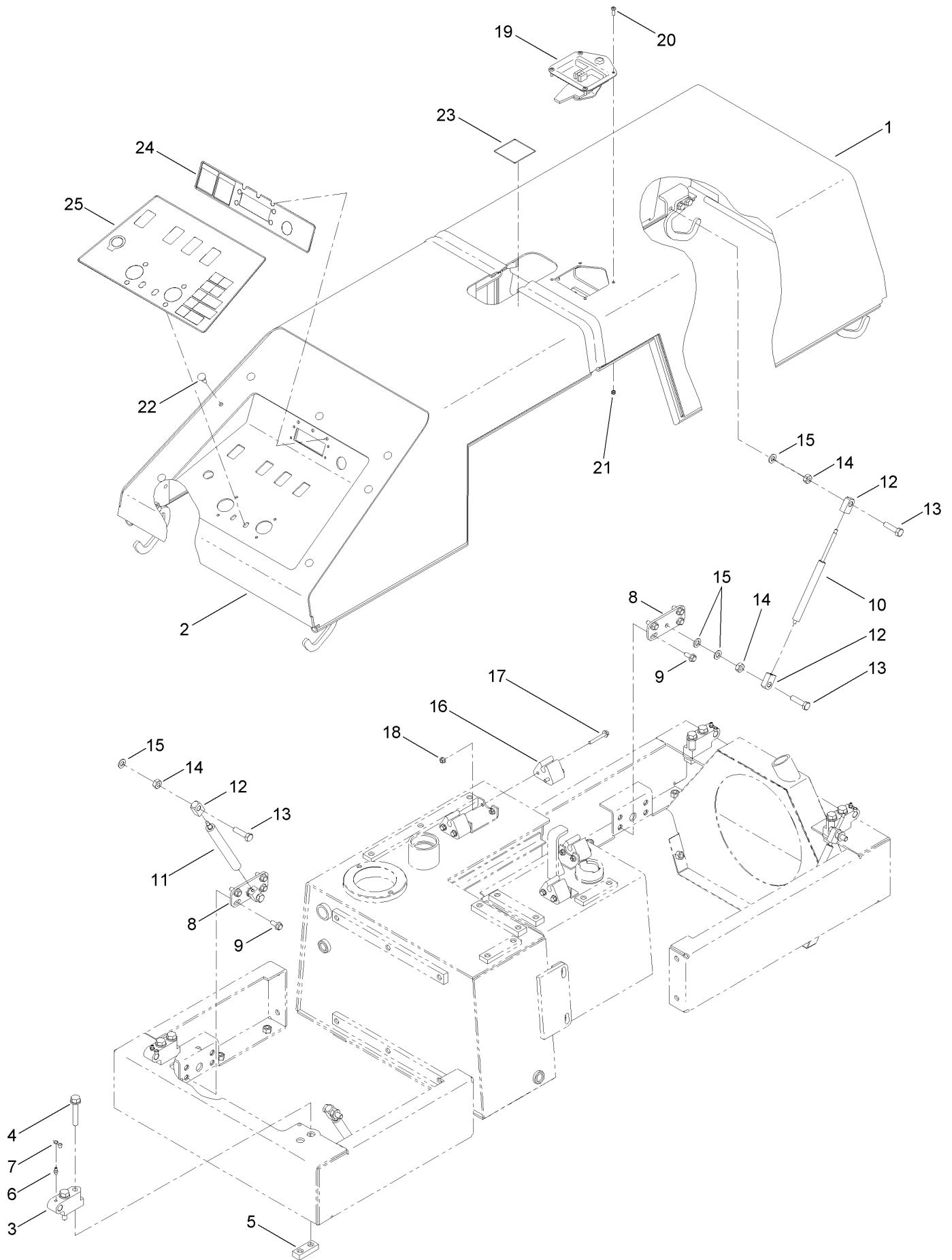
# Hydraulic Routing Assembly Tank Assembly



## Hydraulic Routing Assembly Tank Assembly (continued)

<i>Ref.</i>	<i>Part Number</i>	<i>Qty.</i>	<i>Description</i>	<i>Ref.</i>	<i>Part Number</i>	<i>Qty.</i>	<i>Description</i>
1	340-4	1	Fitting-HYD, Straight	6	2412-34	2	Clamp-Hose
1:1	237-30	1	O-Ring	7	ST46518	2	Fitting-HYD
1:2	237-79	1	O-Ring	8	354-127	2	Elbow-45 DEG
2	127-7482	1	Hose ASM	8:1	237-81	1	O-Ring
3	ST46976	1	Elbow-45 DEG	9	127-7479	1	Hose
4	23-8910	1	Stem-Barb, 90 DEG	10	127-7480	1	Hose
4:1	237-146	1	O-Ring	11	2412-129	4	Clamp-Hose
5	127-7503	1	Hose				

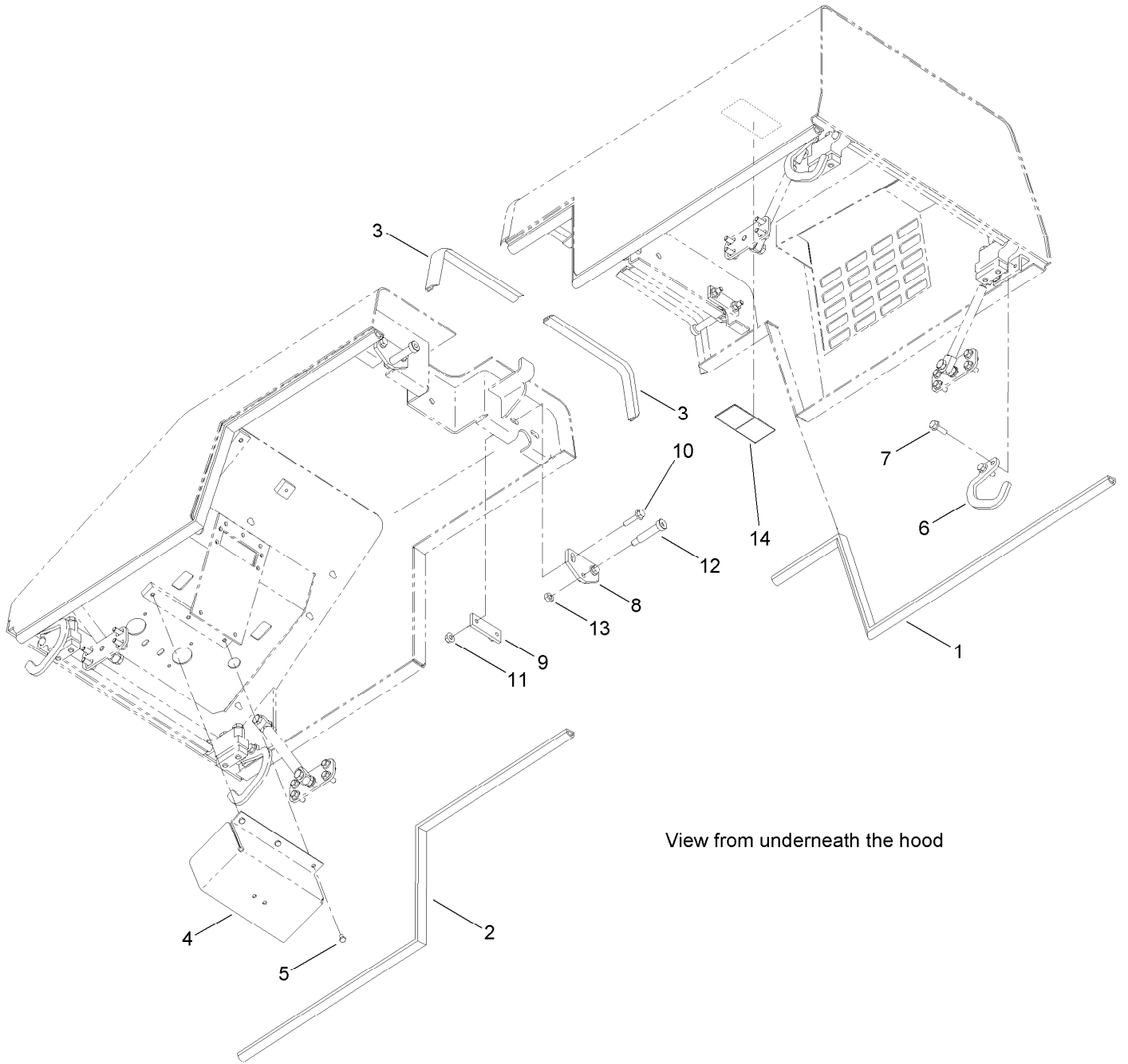
# Hood Assembly



## Hood Assembly (continued)

<i>Ref.</i>	<i>Part Number</i>	<i>Qty.</i>	<i>Description</i>	<i>Ref.</i>	<i>Part Number</i>	<i>Qty.</i>	<i>Description</i>
1	127-2872	1	Hood-Engine	14	33015-00	8	Nut-Hex
2	127-2871	1	Hood-Operator	15	33095-00	12	Washer-Flat
3	ST39897	4	Block-Hinge, Hood	16	ST39378	4	Latch-Clip, Hood
4	33105-060	8	Screw-HHF	17	33103-045	8	Screw-HHF
5	ST36625	4	Plate-Hinge, Nut	18	33003-00	8	Nut-HF
6	ST46042	4	Fitting-Grease	19	ST57608	1	Lock, T-Handle
7	ST47001	4	Cap-Plug	20	ST81033	4	Screw-HSBH
8	ST37489	4	Plate-Mounting, Gas Spring	21	ST80850	4	Nut
9	98-9940	16	Screw	22	ST81187	7	Clip-Arrow, Nylon
10	ST37492	2	Spring-Gas	23	125-4967	1	Decal-Lift Here
11	ST37493	2	Spring-Gas	24	127-1656	1	Decal-Readout, Ignition
12	ST37483	8	Rod-End, Gas Spring	25	127-1660	1	Decal-Console
13	33115-040	8	Screw-HH				

# Hood Latch and Wear Strip Assembly



View from underneath the hood

## Hood Latch and Wear Strip Assembly (continued)

<i>Ref.</i>	<i>Part Number</i>	<i>Qty.</i>	<i>Description</i>	<i>Ref.</i>	<i>Part Number</i>	<i>Qty.</i>	<i>Description</i>
1	ST47446	2	Strip-Wear	8	ST36595	4	Plate
2	ST47447	2	Strip-Wear	9	ST36451	4	Plate-Backing, Lock
3	ST36616	4	Gasket-Gripping, Self	10	33104-035	8	Screw-HHF
4	ST50349-01	1	Cover-Switch, Control	11	33004-00	8	Nut-HF
5	42-9430	3	Screw-HH	12	ST81031	4	Screw-HSBH, Shoulder
6	ST36521	4	Bracket-Hood, Stop	13	3217-7	4	Nut-Hex
7	33104-025	8	Screw-HHF	14	125-4963	1	Decal-Surface, Hot

# Attachments and Accessories

## For 68039 TR-34D Trench Roller

Product Name	Model/Part
24in Narrow Drum Conversion Kit.....	68069
Control Cover Kit .....	68070

**Notes:**



**Count on it.**