



Super Recycler®

Walk-behind Power Mower

Model No. 20465, 20466, 20475, 20476 — 6900001 & Up

Super Recycler®

Tondeuse motorisée à guidage arrière

Modèle No. 20465, 20466, 20475, 20476 — 6900001 et suivants

Super Recycler®

Cortadora de césped motorizada empujada por el usuario

Modelos N. 20465, 20466, 20475, 20476 — 5900001 y siguientes

**Operator's Manual
Manuel de L'Utilisateur
Manual del Operador**

**WARNING:**

The engine exhaust from this product contains chemicals known to the State of California to cause cancer, birth defects, or other reproductive harm.

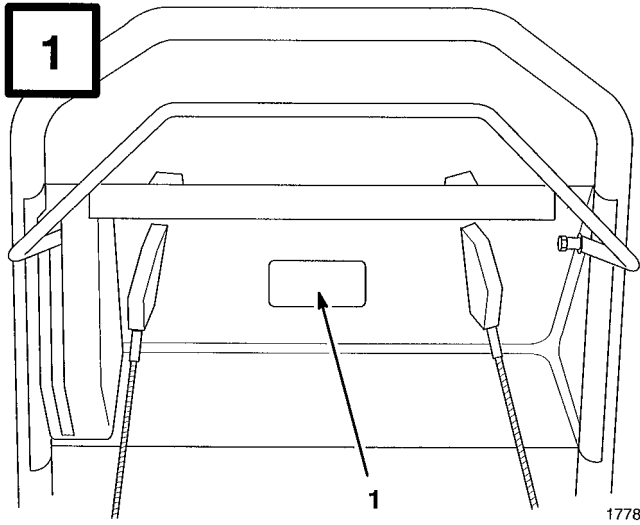
**AVERTISSEMENT:**

Les gaz d'échappement du moteur de ce produit contiennent des produits chimiques reconnus dans l'état de Californie comme cancérigènes, responsables de malformations congénitales, ou comme nocifs à l'égard des fonctions de la reproduction.

**ADVERTENCIA:**

El escape del motor de esta herramienta contiene productos químicos que según la información del Estado de California producen cáncer, defectos congénitos u otros riesgos reproductivos.

Figures — Figuras



English

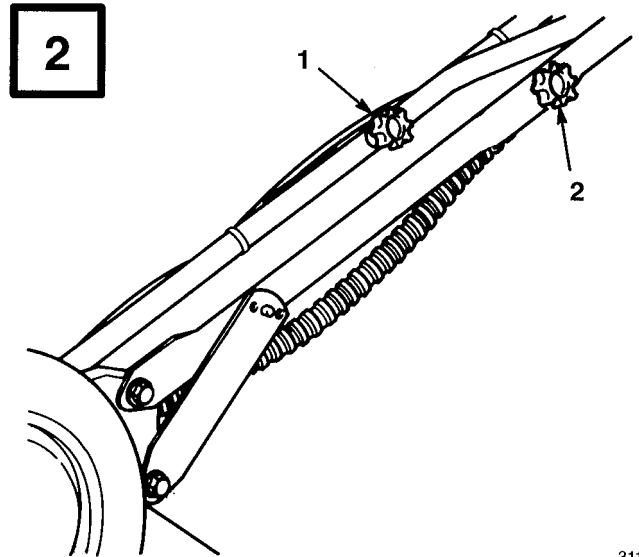
1. Model and serial number decal

Français

1. Décalcomanie de numéros de modèle et de série

Español

1. Calcomanía con los números de modelo y serie



English

1. Right handle knob
2. Left handle knob

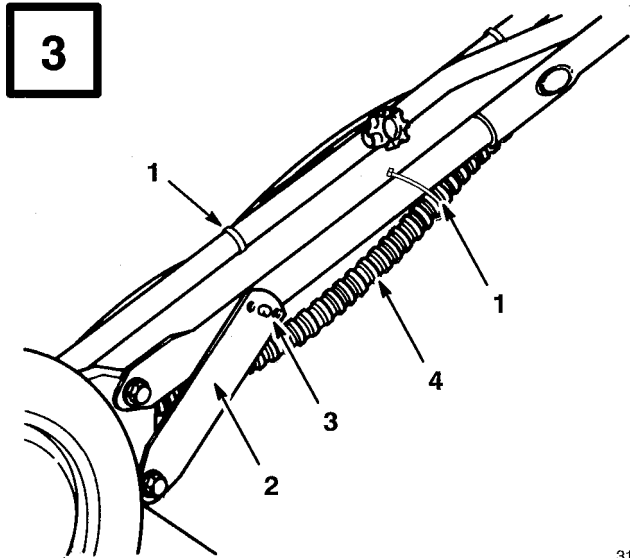
Français

1. Bouton de droite
2. Bouton de gauche

Español

1. Perilla derecha de la manija
2. Perilla izquierda de la manija

311



English

- | | |
|-----------------|------------------|
| 1. Cable tie | 3. Handle stud |
| 2. Handle latch | 4. Control cable |

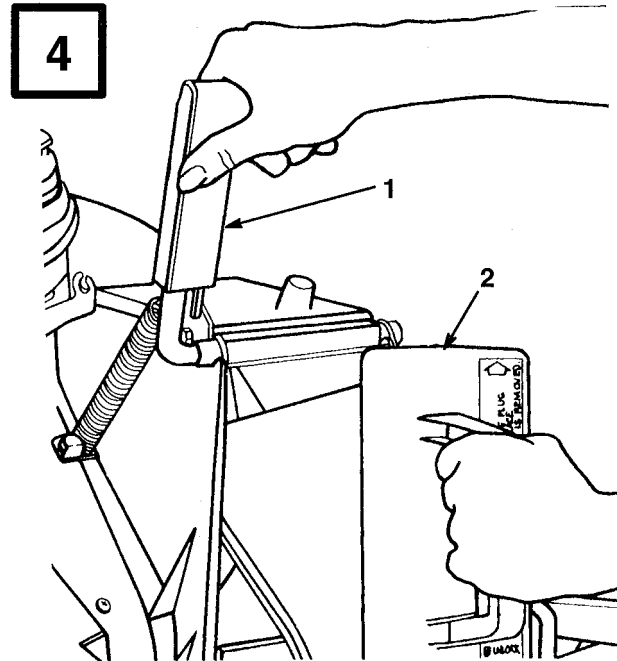
Français

- | | |
|--------------------------|----------------------|
| 1. Attache de câble | 3. Goujon |
| 2. Patte de verrouillage | 4. Câble de commande |

Español

- | | |
|--------------------------|---------------------|
| 1. Abrazadera de cable | 3. Perno |
| 2. Pestillo de la manija | 4. Cable de control |

311



English

- | | |
|--------------------------|---------------------------|
| 1. Discharge door handle | 2. Plug rotated clockwise |
|--------------------------|---------------------------|

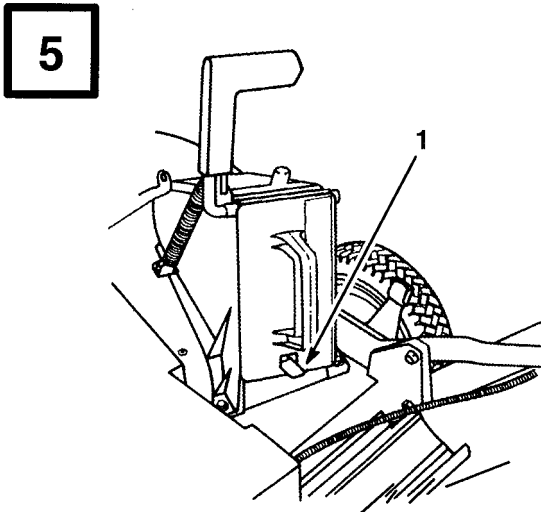
Français

- | | |
|--------------------------|---|
| 1. Poignée de l'éjecteur | 2. Pivotement de l'obturateur dans le sens des aiguilles d'une montre |
|--------------------------|---|

Español

- | | |
|---------------------------------|----------------------------------|
| 1. Asa de la puerta de descarga | 2. Tapón girado hacia la derecha |
|---------------------------------|----------------------------------|

1914



1915

English

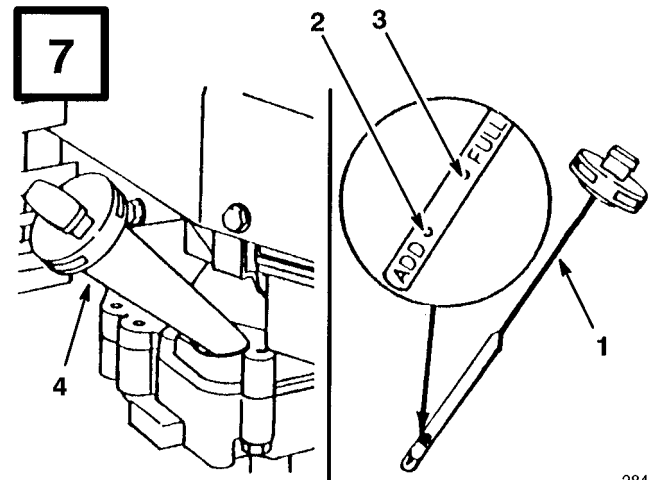
- 1. Spring clip

Français

- 1. Loquet à ressort

Español

- 1. Presilla de resorte



284

English

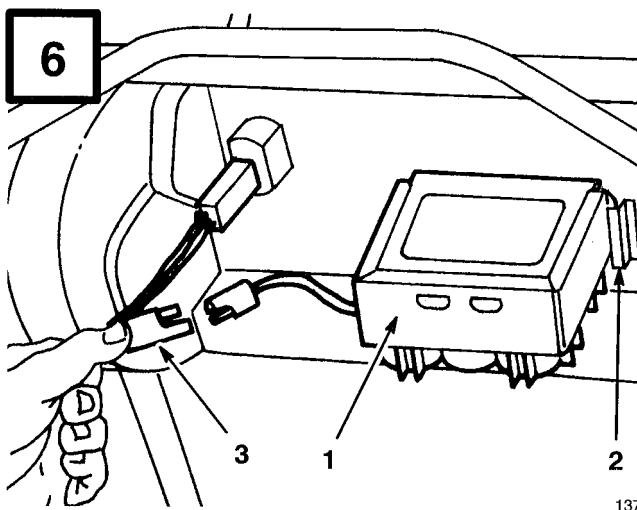
- 1. Dipstick
- 2. ADD mark
- 3. FULL mark
- 4. Fuel tank cap

Français

- 1. Jauge d'huile
- 2. Repère ADD (ajouter)
- 3. Repère FULL (plein)
- 4. Bouchon du réservoir de carburant

Español

- 1. Varilla de nivel
- 2. Marca "ADD" (agregar)
- 3. Marca "FULL" (lleno)
- 4. Tapa del depósito de combustible



137

English

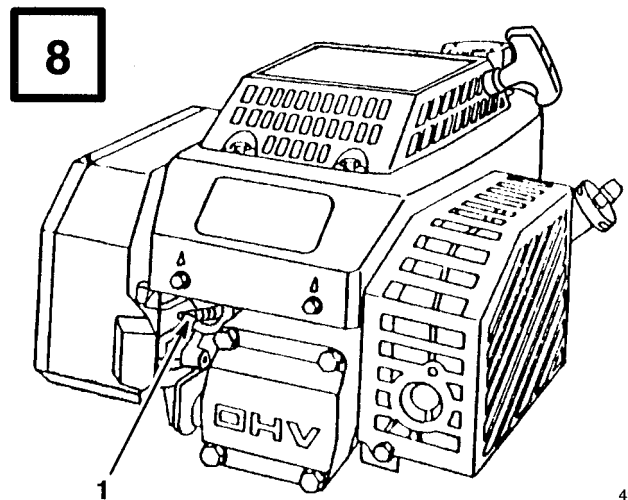
- 1. Battery
- 2. Mounting tab
- 3. Wire harness

Français

- 1. Batterie
- 2. Languette de fixation
- 3. Faisceau de fils

Español

- 1. Batería
- 2. Trabas de montaje
- 3. Arnés de cable



495

English

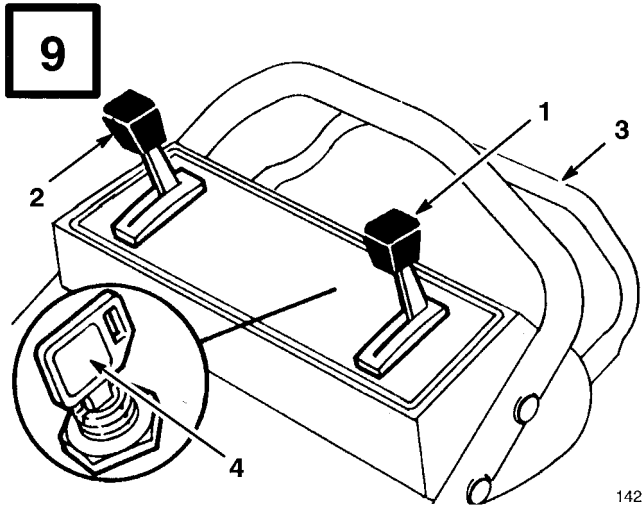
- 1. Spark plug wire

Français

- 1. Fil de bougie

Español

- 1. Cable de la bujía



142

English

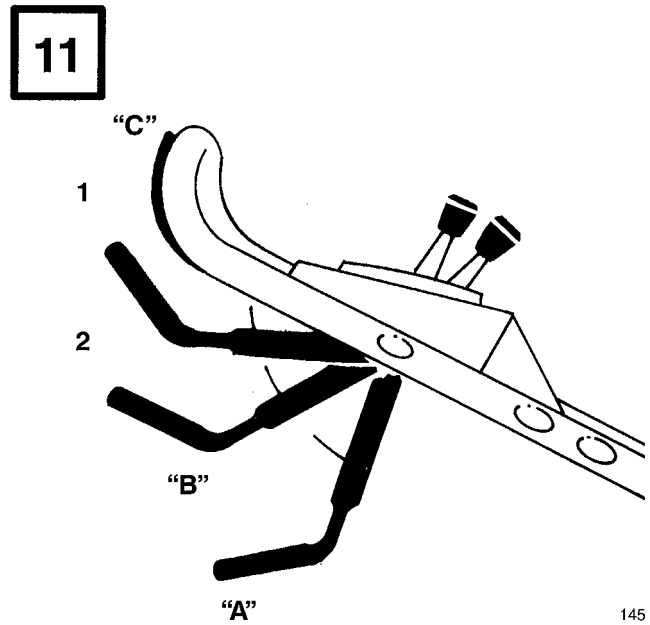
- | | |
|-------------------------|--------------------------------------|
| 1. Throttle control | 4. Key switch (electric start model) |
| 2. Ground speed control | |
| 3. Control bar | |

Français

- | | |
|----------------------|--|
| 1. Commande des gaz | 4. Commutateur a clé de contact (modèles à démarreur électrique) |
| 2. Vitesse au sol | |
| 3. Barre de commande | |

Español

- | | |
|---------------------------------------|--|
| 1. Acelerador | 4. Interruptor con llave (modelo con arranque eléctrico) |
| 2. Control de avance sobre el terreno | |
| 3. Barra de control | |



145

English

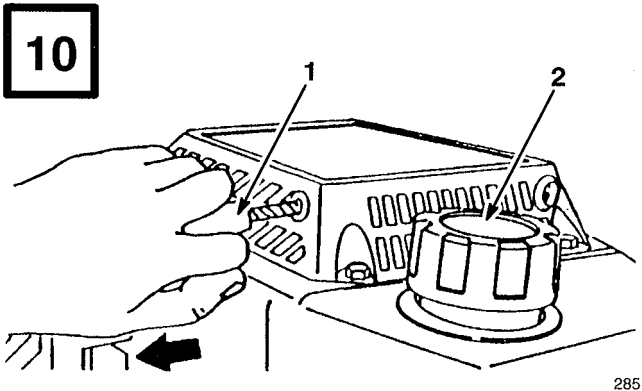
- | | |
|-----------------|-----------------|
| 1. Speed varies | 2. Mid position |
|-----------------|-----------------|

Français

- | | |
|---------------------|---------------------------|
| 1. Vitesse variable | 2. Position intermédiaire |
|---------------------|---------------------------|

Español

- | | |
|-----------------------------|------------------------|
| 1. Variaciones de velocidad | 2. Posicion intermedia |
|-----------------------------|------------------------|



285

English

- | | |
|-------------------|------------------|
| 1. Recoil starter | 2. Fuel tank cap |
|-------------------|------------------|

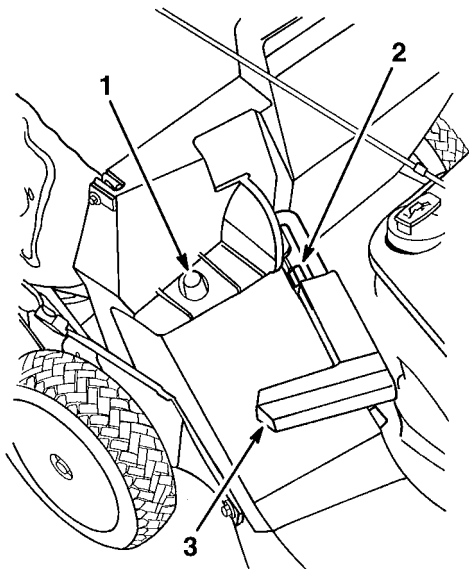
Français

- | | |
|------------------------|--------------------------------------|
| 1. Démarreur de rappel | 2. Bouchon du réservoir de carburant |
|------------------------|--------------------------------------|

Español

- | | |
|---------------------------|-------------------------------------|
| 1. Arrancador recuperador | 2. Tapa del depósito de combustible |
|---------------------------|-------------------------------------|

12



1912

English

- 1. Bag frame on retaining post
- 2. Pin engaged in catch

- 3. Handle fully forward. Discharge door closed.

Français

- 1. Armature du sac accrochée au tenon
- 2. Ergot engagé dans l'encoche

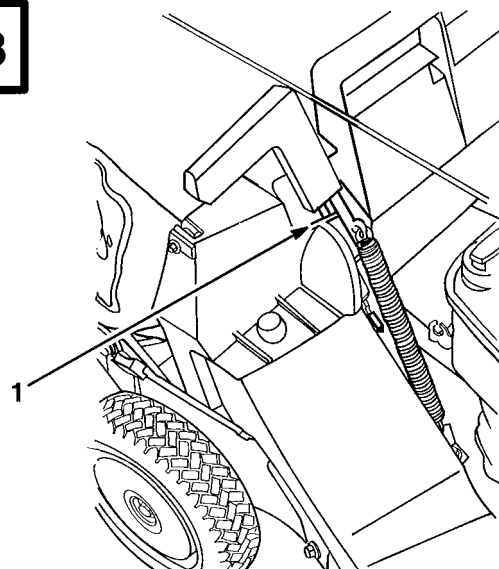
- 3. Poignée à fond vers l'avant. Volet d'éjection fermé.

Español

- 1. Marco del saco en el poste retenedor
- 2. Pasador enganchado en el tanque

- 3. Manija completamente hacia adelante. Puerta de descarga cerrada

13



1913

English

- 1. Pin locked in bag notch

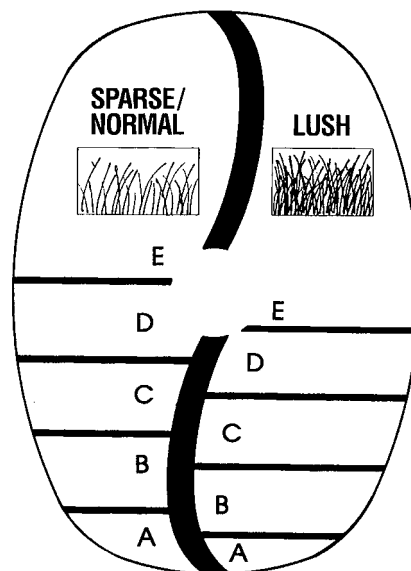
Français

- 1. Ergot bloqué dans l'encoche du sac

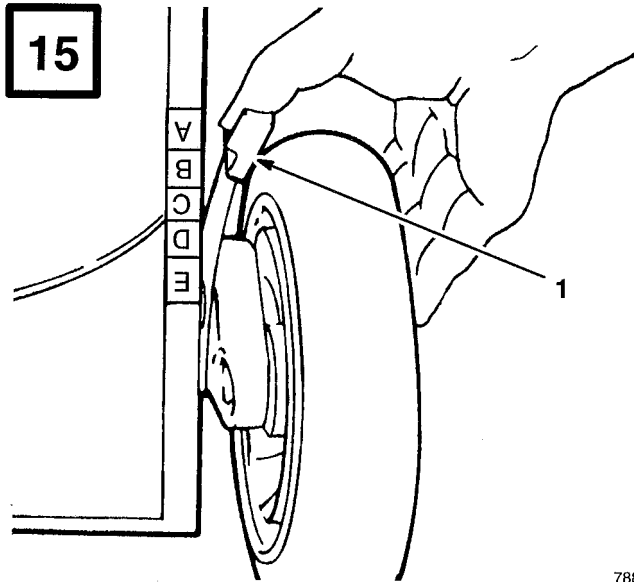
Español

- 1. Pasador trabado en la ranura del saco

14



778



788

English

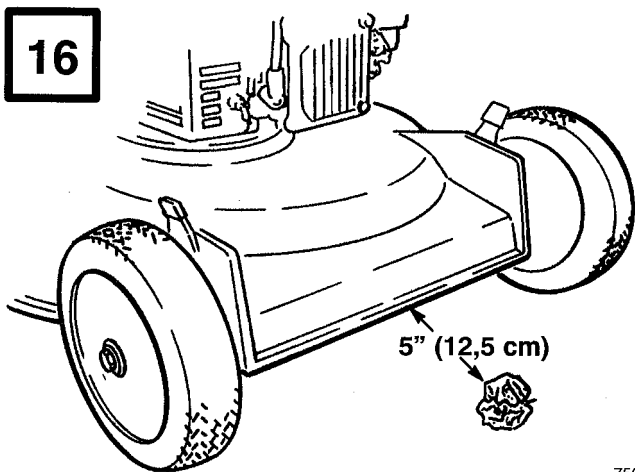
1. Height-of-cut lever

Français

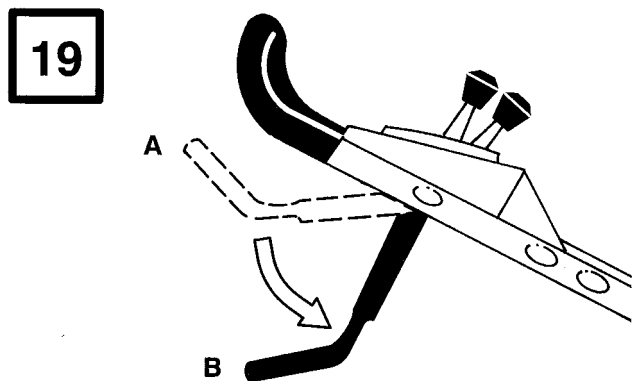
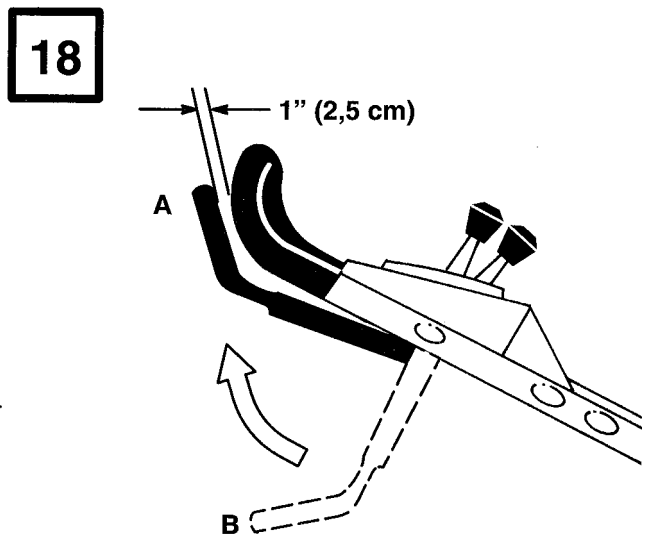
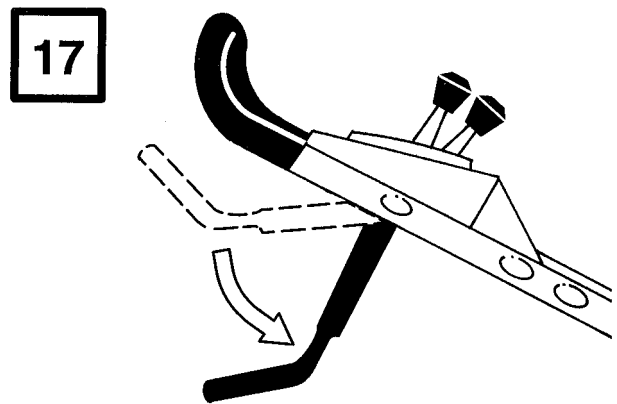
1. Levier de hauteur de coupe

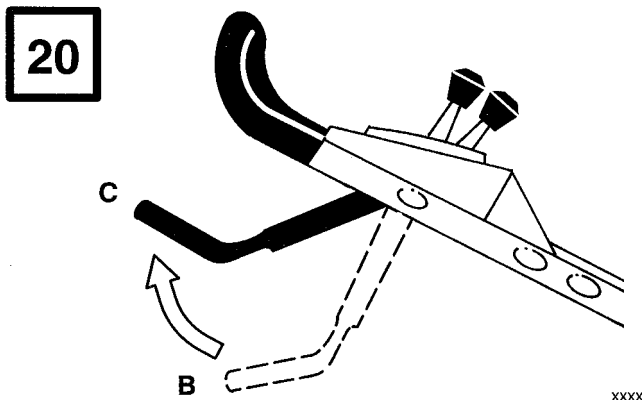
Español

1. Palanca de ajuste de altura de corte

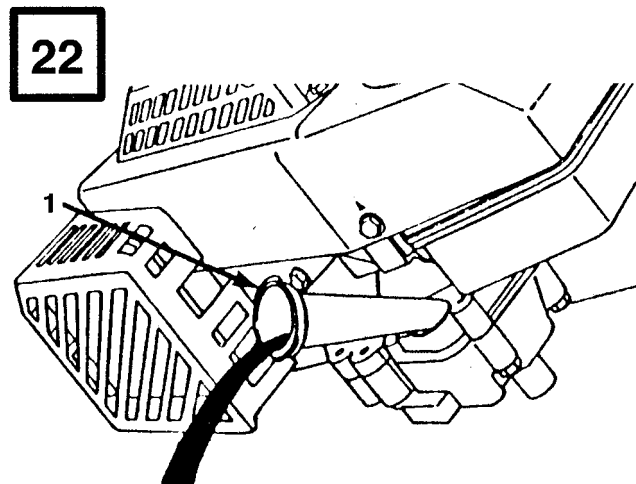


756

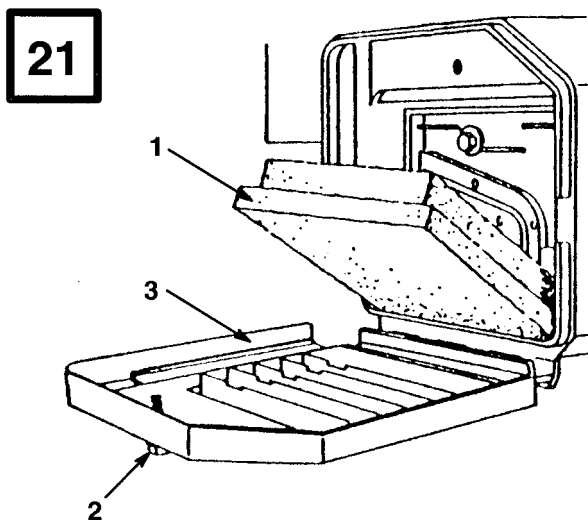




XXXX



287



288

English

- 1. Foam element
- 2. Knob
- 3. Cover

Français

- 1. Élément en mousse
- 2. Bouton
- 3. Couvercle

Español

- 1. Elemento de espuma de goma
- 2. Botón
- 3. Cubierta

English

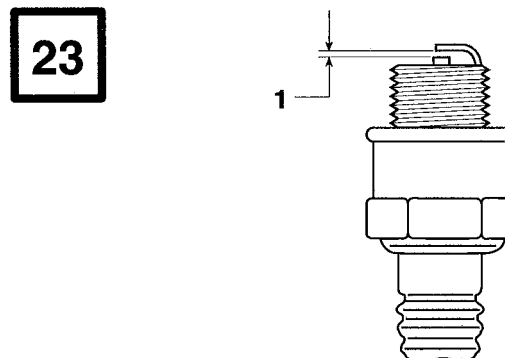
- 1. Oil fill tube

Français

- 1. Tube de remplissage d'huile

Español

- 1. Tubo de llenado del aceite



986

English

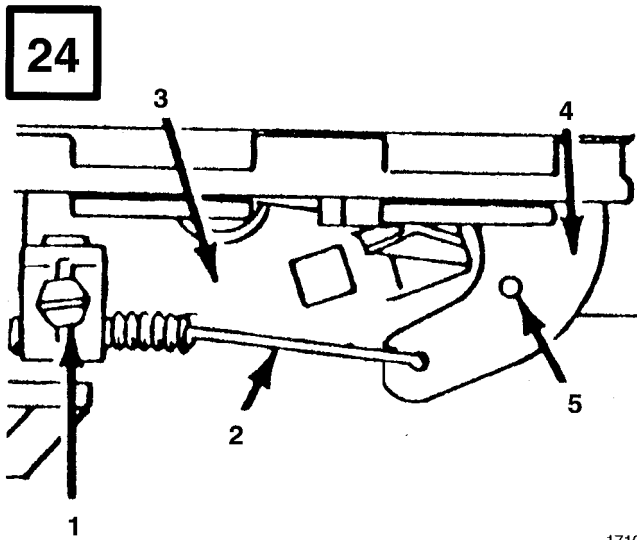
- 1. .030 in. (.76 mm)

Français

- 1. 0,76 mm

Español

- 1. 0,76 mm



1710

English

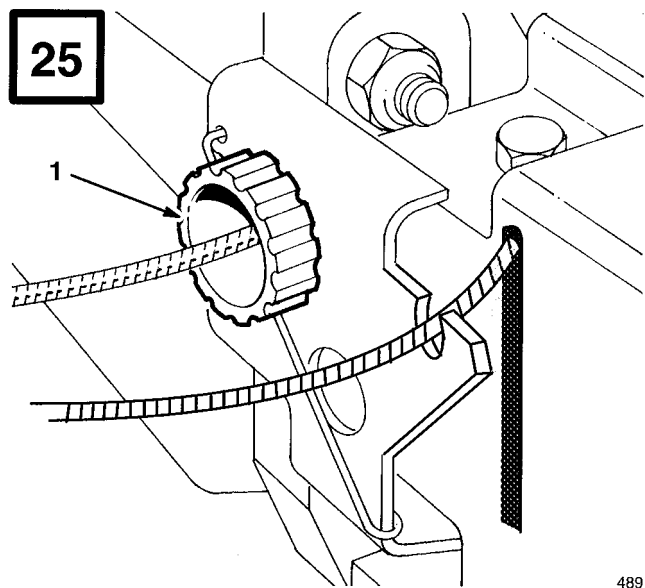
- | | |
|----------------------|-------------------|
| 1. Cable clamp screw | 4. Throttle lever |
| 2. Throttle cable | 5. Aligned holes |
| 3. Throttle bracket | |

Français

- | | |
|-----------------------------------|----------------------------------|
| 1. Vis du serre-câble | 4. Levier de la commande des gaz |
| 2. Câble de la commande des gaz | 5. Trous alignés |
| 3. Support de la commande des gaz | |

Español

- | | |
|--|---------------------------|
| 1. Tornillo de la abrazadera del cable | 3. Soporte del acelerador |
| 2. Cable del acelerador | 4. Palanca del acelerador |
| | 5. Orificios alineados |



489

English

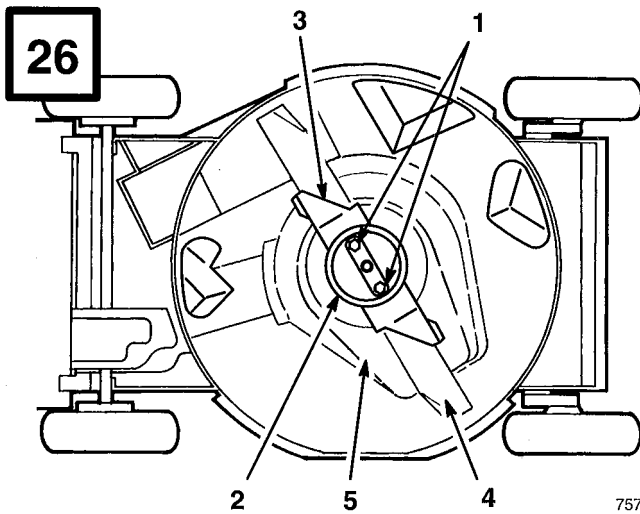
1. Knob

Français

1. Bouton

Español

1. Botón



English

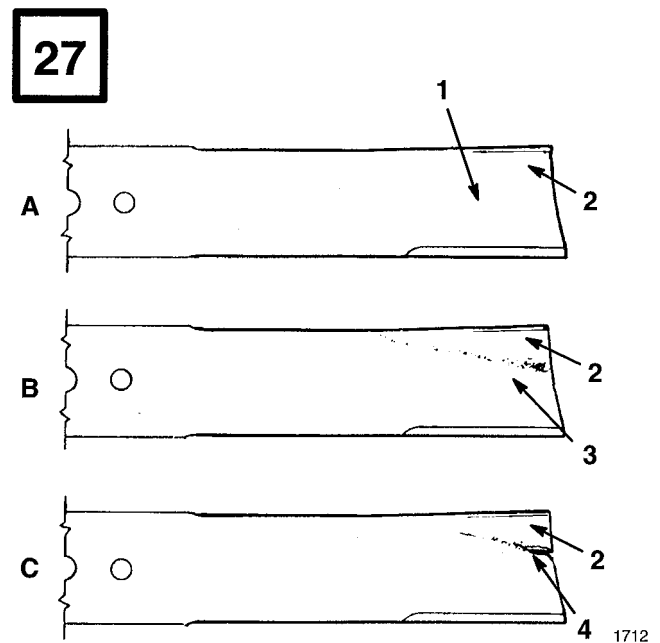
- | | |
|-------------------|---------------|
| 1. Blade nuts | 4. Blade |
| 2. Anti-scalp cup | 5. BBC shield |
| 3. Accelerator | |

Français

- | | |
|---------------------------|---|
| 1. Ecrous de la lame | 4. Lame |
| 2. Coupelle anti-dechetes | 5. Bouclier de l'embrayage du frein de lame |
| 3. Accélérateur | |

Español

- | | |
|--------------------------|-----------------------------|
| 1. Tuerca de la cuchilla | 4. Cuchilla |
| 2. Copa protectora | 5. Cubierta del sistema BBC |
| 3. Acelerador | |



English

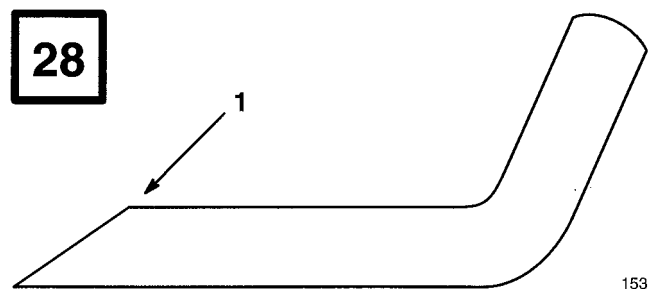
- | | |
|-----------------------|----------------|
| 1. Flat part of blade | 3. Wear |
| 2. Sail | 4. Slot formed |

Français

- | | |
|-----------------------------|-----------------|
| 1. Section plane de la lame | 3. Usure |
| 2. Pale | 4. Fente formee |

Español

- | | |
|-------------------------------|-------------------|
| 1. Parte plana de la cuchilla | 3. Desgaste |
| 2. Aleta | 4. Ranura formada |



English

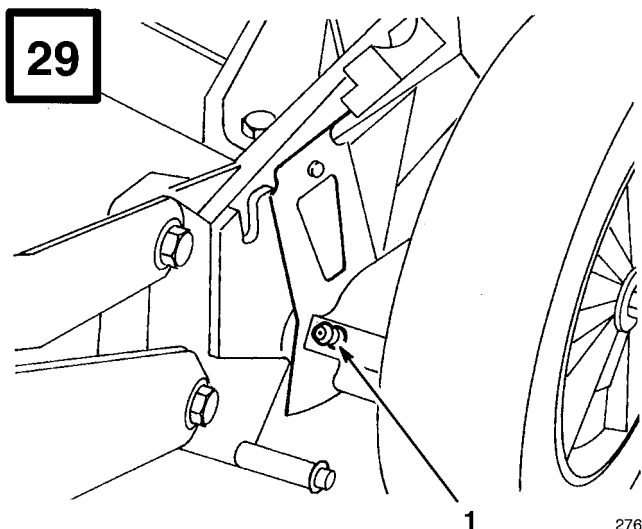
1. Sharpen at this angle only

Français

1. Aiguiser à cet angle seulement

Español

1. Afile en este ángulo solamente



English

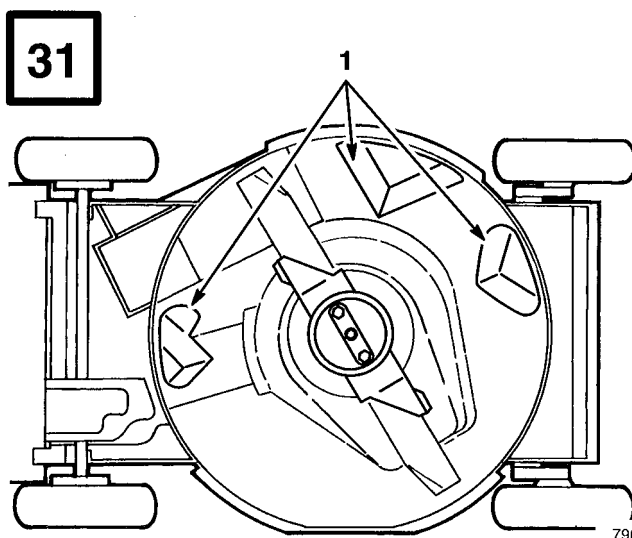
- 1. Grease fitting

Français

- 1. Graisseur

Español

- 1. Engrasador



English

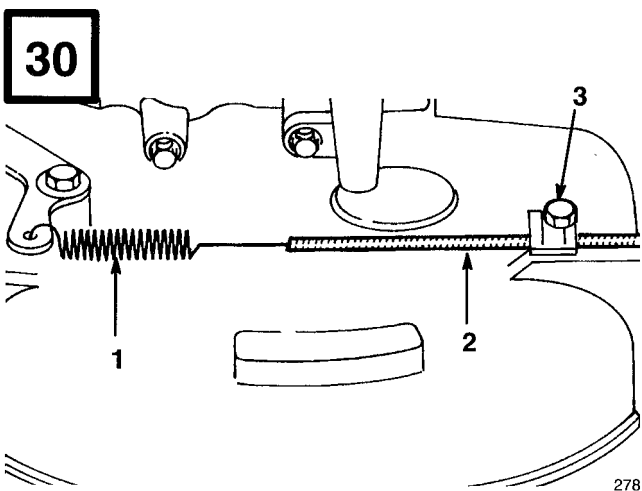
- 1. Kickers

Français

- 1. Plaques de déflexion

Español

- 1. Placas deflectoras



English

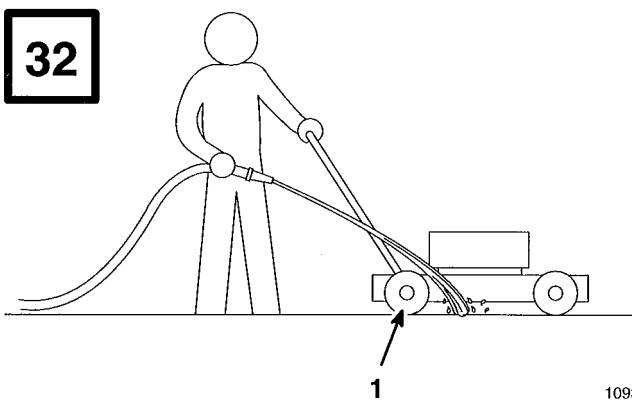
- 1. Spring
- 2. Cable conduit
- 3. Cable clamp screw

Français

- 1. Ressort
- 2. Gaine du câble
- 3. Vis du serre-câble

Español

- 1. Resorte
- 2. Conducto del cable
- 3. Tornillo de la abrazadera del cable



English

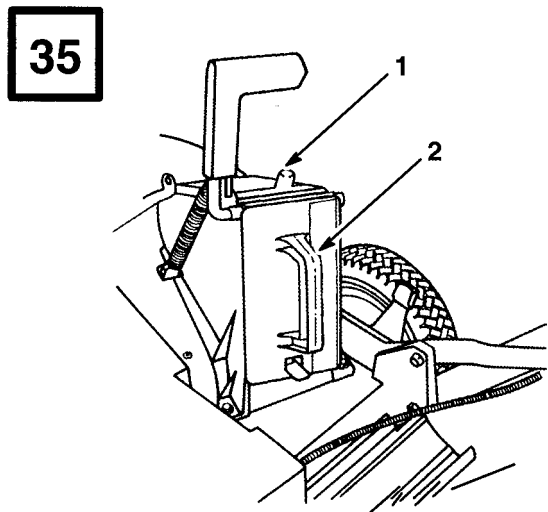
- 1. Right rear wheel

Français

- 1. Roue arrière droite

Español

- 1. Rueda trasera derecha



1915

English

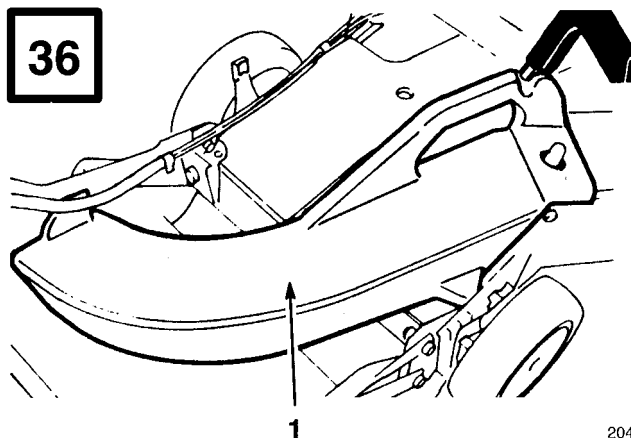
- 1. Discharge tunnel
- 2. Discharge tunnel plug

Français

- 1. Conduit de l'éjecteur
- 2. Obturateur

Español

- 1. Canal de descarga
- 2. Tapón del canal de descarga



2047

English

- 1. Side discharge chute

Français

- 1. Ejecteur latéral

Español

- 1. Canaleta de descarga lateral

Contents

	Page
Introduction	1
Safety	2
Safe Operating Practices	2
Safety and Instruction Decals	5
Safety and Instruction Decals	6
Assembly	6
Handle	6
Discharge Tunnel Plug	6
Battery	7
Before Starting	7
Oil	7
Gasoline	7
Recycling Tips	8
General Tips	8
Cutting Grass	8
Cutting Leaves	9
Operation	9
Controls	9
Starting Engine	9
Stopping Engine	10
Blade and Self-propelled Drive	10
Pulling Mower Rearward	10
Using Discharge Tunnel Plug	11
Using Grass Bag	11
Adjusting Cutting Height	12
Check Control Bar Operation	13
Maintenance	15
Recommended Maintenance Schedule	15
Air Filter	16
Drain Gasoline	16
Change Engine Oil	17
Spark Plug	17
Throttle Cable	17
Self-propelled Cable	18
Blade	18
Lubrication	19
Blade Brake	19
Charging Battery	20

Disposing of Battery	20
Cleaning	20
Cleaning Blade Brake Clutch Shield	22
Carburetor Adjustments	22
Storage	22
Fuel	22
Engine	23
Cleaning	23
General	23
Removing From Storage	23
Accessories	24
California Emission Control Warranty Statement	25
The Toro Starting Guarantee	27
Guaranteed To Start Maintenance Record	29
Warranty	30

Introduction

Thank you for purchasing a Toro product.

All of us at Toro want you to be completely satisfied with your new product, so feel free to contact your local Authorized Service Dealer for help with service, genuine Toro parts, or other information you may require.

Whenever you contact your Authorized Service Dealer or the factory, always know the model and serial numbers of your product. These numbers will help the Service Dealer or Service Representative provide exact information about your specific product. You will find the model and serial number decal located in a unique place on the product (Fig. 1).

For your convenience, write the product model and serial numbers in the space below.

Model No. _____

Serial No. _____

Read this manual carefully to learn how to operate and maintain your product correctly. Reading this manual will help you and others avoid personal injury and damage to the product. Although Toro designs, produces and markets safe, state-of-the-art products, you are responsible for using the product properly and safely. You are also responsible for training persons who you allow to use the product about safe operation.

The Toro warning system in this manual identifies potential hazards and has special safety messages that help you and others avoid personal injury, even death. DANGER, WARNING and CAUTION are signal words used to identify the level of hazard. However, regardless of the hazard, be extremely careful.


DANGER signals an extreme hazard that will cause serious injury or death if the recommended precautions are not followed.

WARNING signals a hazard that may cause serious injury or death if the recommended precautions are not followed.

CAUTION signals a hazard that may cause minor or moderate injury if the recommended precautions are not followed.

Two other words are also used to highlight information. "Important" calls attention to special mechanical information and "Note" emphasizes general information worthy of special attention.

Safety

This machine meets or exceeds CPSC blade safety requirements for walk-behind rotary mowers and the B71.1 specifications of the American National Standards Institute, in effect at time of production. However, improper use or maintenance by the operator or owner can result in injury. To reduce the potential for injury, comply with these safety instructions and always pay attention to the safety alert  symbol which

means CAUTION, WARNING or DANGER—"personal safety instruction." Failure to comply with the instruction may result in personal injury.

Safe Operating Practices

This product is capable of amputating hands and feet and throwing objects. Always follow all safety instructions to avoid serious injury or death.

WARNING

POTENTIAL HAZARD

- Engine exhaust contains carbon monoxide, which is an odorless, deadly poison.

WHAT CAN HAPPEN

- Carbon monoxide can kill you and is also known to the State of California to cause birth defects.

HOW TO AVOID THE HAZARD

- Do not run engine indoors or in an enclosed area.

This mower is designed for cutting and recycling grass or, when equipped with a grass bag, for catching cut grass. Any use for purposes other than these could prove dangerous to user or bystanders.

Note: This engine is NOT equipped with a spark arrester muffler. Use or operation of this mower in the State of California on any forest-covered, brush-covered or unimproved grass-covered land, without an approved spark arrester muffler, is a violation of the law. Other states may have similar laws.

General Operation

1. Read this manual carefully before operating the mower. Become familiar with the controls and proper use of the mower. Never allow children

under 16 years of age to operate the mower. Never allow adults to operate mower without proper instructions.

2. The operator of the mower is responsible for keeping everyone, especially children and pets, away from area of operation. The operator is responsible for accidents or hazards occurring to other people or their property.
3. Thoroughly inspect area where mower will be used and remove sticks, stones, wire, and debris. Watch for foreign objects while mowing.
4. Wear long pants and substantial shoes. Do not operate mower while wearing open-toed shoes, jewelry, loose clothing or when barefoot.
5. Check fuel level before starting engine. Because fuel is highly flammable, handle it carefully.
 - A. Use an approved container.
 - B. Fill fuel tank outdoors, not indoors.
NEVER ADD FUEL TO AN ENGINE THAT IS RUNNING OR HOT.
 - C. Do not smoke while refueling.
 - D. Install gas cap on fuel container and gas tank, and wipe up any spilled gasoline before starting engine.
6. Keep all guards, shields, grass catchers and safety devices in place. Repair or replace damaged parts, including decals. Check all safety devices before each use.
7. Before using, always visually inspect to see that the blades, blade fasteners and cutter assembly are not worn or damaged. Replace worn or damaged blades and fasteners in sets to preserve balance.
8. Traction drive and blade are designed to stop when control bar is released. Ensure control and brake function properly before each use of mower.
9. Disengage the self-propelled mechanism or drive clutch before starting the engine.

While Operating

1. Do not run engine indoors.
2. Start the engine carefully according to instructions and with feet well away from the blade.
3. Always maintain secure footing. Keep a firm grip on the handle and walk; never run. Never operate mower in wet grass. Mow only in daylight or in good artificial light.
4. Mow across the face of slopes; never up and down. Use extreme caution when changing direction on slopes. Do not mow excessively steep slopes. Wear skid resistant shoes on slopes.
5. Keep face, hands, and feet away from the mower housing and cutter blade when the engine is running. Blade can cause injury to hands and feet.
6. Use extreme caution when reversing or pulling the mower towards you.
7. Stay behind the handle until the engine stops and keep clear of discharge opening at all times.
8. When bagging grass, stop engine and stay behind handle until all moving parts stop before removing and emptying bag.
9. When mowing, ensure grass bag is installed over discharge opening.
10. Shut engine off and stay behind handle until all moving parts stop before unclogging chute.
11. Since the blade rotates for a few seconds after the control bar is released, stay behind the handle until the engine stops.
12. After striking a foreign object or if mower vibrates abnormally, stop engine and remove wire from spark plug. Check mower for damage and make all repairs before using mower again. If major repairs are ever needed or if assistance is desired, contact your local Authorized Toro Service Dealer.
13. Stop the engine and wait for all moving parts to stop before adjusting the height-of-cut.

-
14. Stop the blade when pushing the mower outside the lawn area.
 15. Stop engine before leaving the operator's position – behind the handle. Disconnect wire from spark plug if mower will be unattended.
 16. Do not touch any engine components while it is running or shortly after it is stopped because engine will be hot enough to cause a burn.
 17. Refuel only when engine is cool.
 18. If mower must be lifted to be transported, turn off engine and stay behind the handle until all moving parts stop.
4. When servicing blade, refer to blade maintenance section for correct installation and servicing procedures.
 5. To reduce fire hazard, keep engine free of excessive grease, grass, leaves, and accumulations of dirt.
 6. Do not overspeed the engine by changing governor settings.
 7. Check grass catcher bag frequently for wear or deterioration. Replace with a new bag when worn or damaged for your protection.

Maintenance

1. Perform only those maintenance instructions described in this manual. If major repairs are ever needed or if assistance is desired, contact your local Authorized Toro Service Dealer.
 2. Before mower is cleaned, inspected, serviced, or adjusted, stop engine and disconnect wire from spark plug. Keep wire away from plug to prevent accidental starting.
 3. To ensure the mower is in safe operating condition, frequently check and keep all nuts, bolts, and screws tight. Ensure blade nuts are tightened to 15-27 ft.-lbs. (20-37 N·m).
8. Allow engine to cool before storing mower in any enclosure. Do not store mower near any open flame or where gasoline fumes may be ignited by a spark.
 9. At the time of manufacture, the mower conformed to the safety standards in effect for rotary mowers. To ensure best performance and continued safety certification of the mower, use genuine TORO replacement parts and accessories. Replacement parts and accessories made by other manufacturers may result in nonconformance with the safety standards, and that could be dangerous.

Safety and Instruction Decals



Safety decals and instructions are easily visible to the operator and are located near any area of potential danger. Replace any decal that is damaged or lost.



ON MOWER HOUSING
(Part No. 43-8480)



UNDER COVER-DEFLECTOR ASSEMBLY ON MOWER DECK
(Part No. 82-8450)



ON MOWER DECK
(Part No. 46-7370)

WARNING

AVOID SERIOUS INJURY or DEATH:

- GO ACROSS SLOPES, NOT UP AND DOWN.
- DO NOT MOW WHEN CHILDREN OR OTHERS ARE AROUND.
- LOOK DOWN AND BEHIND BEFORE AND WHILE MOVING BACKWARDS.
- KEEP SAFETY DEVICES (GUARDS, SHIELDS, ETC.) IN PLACE AND WORKING.
- REMOVE OBJECTS THAT COULD BE THROWN BY THE BLADE.
- READ THE OPERATOR'S MANUAL.

FOR REPLACEMENT MANUAL, SEND MODEL & SERIAL NUMBER TO: THE TORO CO., 8111 LYNDALE AVE. S., BLOOMINGTON, MN 55420-1196.

93-0248

ON MOWER DECK
(Part No. 93-0248)

CHOKE

OFF

OPERATING INSTRUCTIONS

TO START: MOVE THROTTLE TO CHOKE. PULL ROPE.
WHEN ENGINE STARTS, MOVE CONTROL BAR DOWN AND LIFT BACK TO MIDDLE POSITION.

TO DRIVE MOWER: SQUEEZE CONTROL BAR FORWARD.
TO STOP BLADE OR STOP DRIVE: RELEASE CONTROL BAR.
TO STOP ENGINE: MOVE THROTTLE TO OFF.

DRIVE

MIDDLE POSITION

BLADE

3
2
1
N

THROTTLE

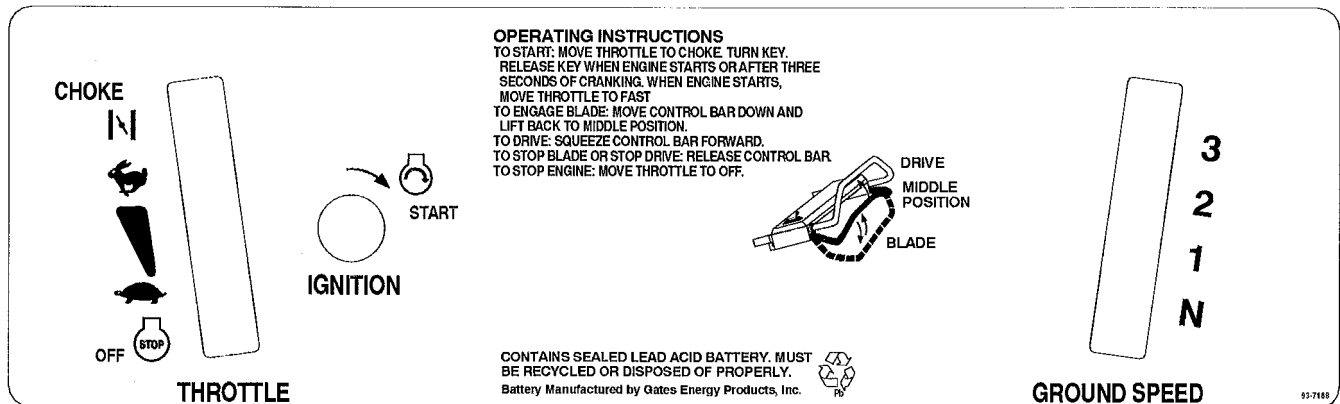
GROUND SPEED

937167

(Model 20465)

ON CONTROL PANEL
(Part No. 93-7167)

Safety and Instruction Decals



(Model 20466)

ON CONTROL PANEL
(Part No. 93-7168)

Assembly

Note: Determine left and right hand sides of the unit by standing in the normal operator's position.

Handle

1. The mower is shipped from the factory with filler between the upper and lower handle joints to prevent shipping and assembly damage. Align upper and lower handles and remove the filler with a pliers.
2. The left handle knob is shipped from the factory on the outside of the handle (Fig. 2). Remove the left knob and bolt. Reinstall knob and bolt on inside of handle (Fig. 3). Both handle knobs should be positioned on the inside of the handles. Tighten handle knobs.
3. Move handle latches slightly outward so they will not be in the way when pivoting the handle backward into the operating position (Fig. 3).
4. Pivot handle backward. Move handle latches inward while snapping handle stud into center hole of handle latch (Fig. 3). If a handle latch does not fit tightly against the handle tube,

remove latch from handle stud, bend the latch inward, and reattach to handle stud. Repeat as necessary to ensure a tight fit between latch and handle. Make sure handle knobs are securely tightened.

Note: If handle height is not satisfactory, adjust by placing handle stud into a different hole.

5. Ensure control cables are to the rear and inside of handles. Secure cables to handle with cable ties (Fig. 3).

Discharge Tunnel Plug

Model 20475 and 20476 only

1. Open the discharge door by pulling forward on the handle and moving it rearwards (Fig. 4). Hold the discharge door handle to prevent the spring-loaded door from closing while inserting the plug.
2. Since the plug is slightly wider than the discharge tunnel opening, rotate the plug clockwise slightly while inserting it (Fig. 4). Make sure the arrow on the plug decal is pointing upwards.

3. Push the plug all the way in until the spring clip on the bottom of the plug clicks into place, locking the plug securely into the discharge tunnel (Fig. 5). Release discharge door handle to lock top of plug.

Battery

(electric start model only)

1. Slide battery, decal side up, between mounting tabs on back of control panel and connect wires (Fig. 6).
2. Charge Battery. Refer to Charging Battery section.

Before Starting

Oil

Fill crankcase with SAE 30 oil until oil level reaches FULL mark on dipstick. 10W-30 oil may be substituted if SAE 30 is not available. The maximum crankcase capacity is 25 ounces (0.75 liters) of oil. Use any high quality detergent oil having the American Petroleum Institute (API) "service classification"—SF, SG or SH.

Before each use, ensure oil level is between FULL and ADD marks on dipstick (Fig. 7). Add oil if level is low.

1. Position mower on level surface and clean around oil dipstick (Fig. 7).
2. Remove dipstick by rotating cap counterclockwise 1/4 turn.
3. Wipe dipstick and insert it into filler neck. Rotate cap clockwise 1/4 turn. Then remove dipstick and check level of oil on side of dipstick with FULL and ADD marks (Fig. 7). If level is low, add only enough oil to raise level to FULL mark on dipstick. **DO NOT FILL ABOVE**

FULL MARK BECAUSE ENGINE COULD BE DAMAGED WHEN STARTED. POUR OIL SLOWLY.

4. Insert dipstick into filler neck and rotate cap clockwise 1/4 turn to lock.

Note: Check oil level each time mower is used or after every 5 operating hours. Initially, change oil after the first 2 hours of operation; thereafter, change oil after every 25 hours of operation. More frequent oil changes are required in dusty or dirty conditions.

Gasoline

DANGER

POTENTIAL HAZARD

- In certain conditions gasoline is extremely flammable and highly explosive.

WHAT CAN HAPPEN

- A fire or explosion from gasoline can burn you, others, and cause property damage.

HOW TO AVOID THE HAZARD

- Use a funnel and fill the fuel tank outdoors, in an open area, when the engine is cold. Wipe up any gasoline that spills.
- Do not fill the fuel tank completely full. Add gasoline to the fuel tank until the level is 1/4" to 1/2" (6 mm to 13 mm) below the bottom of the filler neck. This empty space in the tank allows gasoline to expand.
- Never smoke when handling gasoline, and stay away from an open flame or where gasoline fumes may be ignited by a spark.
- Store gasoline in an approved container and keep it out of the reach of children.
- Never buy more than a 30-day supply of gasoline.

This engine is certified to operate on unleaded gasoline. Toro strongly recommends the use of fresh, clean, **UNLEADED** regular grade gasoline with an octane rating of 85 or higher in Toro gasoline powered products. Unleaded gasoline burns cleaner,

extends engine life, and promotes good starting by reducing the build-up of combustion chamber deposits. In countries other than U.S.A., leaded gasoline may be used if it is commercially available and unleaded is unavailable.

IMPORTANT: Do not mix oil with the gasoline. Do not use gasoline that has been stored in an approved container from one season to the next.

Toro also recommends that Toro Stabilizer/Conditioner be used regularly in all Toro gasoline powered products during operation and storage seasons. Toro Stabilizer/Conditioner cleans the engine during operation and prevents gum-like varnish deposits from forming in the engine during periods of storage.

IMPORTANT: Some fuels, called oxygenated or reformulated gasolines, are gasolines blended with alcohols or ethers. Excessive amounts of these blends can damage the fuel system or cause performance problems. Never use methanol, gasoline containing methanol, gasohol containing more than 10% ethanol or white gas because engine fuel system damage could result. If any undesirable operating symptoms occur, use gasoline with a lower percentage of alcohol or ether.

Do not use fuel additives other than those manufactured for fuel stabilization during storage such as Toro's Stabilizer/conditioner or a similar product. Toro's Stabilizer/conditioner is a petroleum distillate based conditioner/stabilizer. Toro does not recommend stabilizers with an alcohol base such as ethanol, methanol or isopropyl. Additives should not be used to try to enhance the power or performance of machine.

1. Clean around fuel tank cap and remove cap from tank (Fig. 7).
2. Using unleaded gasoline, fill fuel tank to within 1/4" to 1/2" (6 to 13 mm) from top of tank, not into filler neck. Do not fill tank full.
3. Reinstall fuel tank cap and wipe up any spilled gasoline.

4. Connect spark plug wire (if disconnected) (Fig. 8).

Recycling Tips

General Tips

Follow these instructions whether cutting grass or leaves for the best cutting results and lawn appearance:

- Maintain a **sharp blade** throughout the cutting season. Periodically file down nicks on blade.
- **Only mow dry grass or leaves.** Wet grass and leaves tend to clump on yard and may cause mower to plug or engine to stall. They may also be slippery to walk on and could cause you to slip and fall.

WARNING

POTENTIAL HAZARD

- Wet grass or leaves can cause you to slip and contact blade.

WHAT CAN HAPPEN

- Blade contact can seriously injure you.

HOW TO AVOID THE HAZARD

- Mow only in dry conditions.

- Set engine speed to fastest position. Maximum horsepower provides best cutting results.
- Clean clippings or leaves from underside of mower deck after each mowing.
- Keep engine in good running condition. Cutting and recutting requires more horsepower.
- Clean air filter more frequently. Cutting and recutting stirs up more clippings and dust which clogs the air filter and reduces engine performance.

Cutting Grass

- Grass grows at different rates at different times of the year. In the heat of summer, it is generally best to cut grass at the C, D or E height-of-cut

settings. Only about 1/3 of the grass blade should be cut off. Cutting below the C inch setting is not recommended unless grass is sparse or it is late fall when grass growth begins to slow down.

- When cutting grass over six inches tall, you may want to first mow using the highest height-of-cut setting and a slower walking speed; then mow again at a lower setting for best lawn appearance. If grass is too long and leaves clumps on top of lawn, mower may plug and cause engine to stall.
- Alternate mowing direction. This helps disperse clippings over lawn for even fertilization.

If the finished cut lawn appearance is unsatisfactory, try one or more of the following:

- Sharpen the blade.
- Walk at a slower pace while mowing.
- Raise the height-of-cut setting on your mower.
- Cut grass more frequently.
- Overlap cutting swaths instead of cutting a full swath with each pass.
- Set height-of-cut on front wheels one notch lower than rear wheels. (example: set front wheels at “C” setting and rear wheels at “D” setting)

Cutting Leaves

- When cutting is complete, always be sure that 50% of the lawn shows through the cut leaf cover. This may require one or more passes over the leaves.
- For light leaf coverage, position all wheels at the same height-of-cut setting.
- If there are more than five inches of leaves on lawn, set the front wheels one or two notches higher than the rear wheels. This makes it easier to feed leaves under mower deck.

- Walk at a slower mowing speed if leaves are not being cut up finely enough to be hidden down in the grass.
- If you cut up a lot of oak leaves, you might want to add lime to your grass in the spring. Lime reduces the acidity of oak leaves.



Operation

Controls

Key switch (electric start model), throttle control, ground speed control, and control bar are on upper handle (Fig. 9). Recoil starter is on top of engine (Fig. 10).

Starting Engine

Note: The engine requires a warm-up period of one minute to several minutes, depending on the temperature.

1. Push spark plug wire onto spark plug (Fig. 8).
2. Move ground speed control to  (NEUTRAL).
3. Move throttle control to  (CHOKE).

Manual Starting



- A. Brace yourself and mower securely by placing your foot on top left side of mower housing where it says “PLACE FOOT HERE WHEN STARTING”.
- B. Pull starter handle lightly until resistance is felt, then pull sharply. Let rope return to handle slowly.

Key–lectric Starting (electric start model only)



- C. Insert key into switch.

- D. Turn key to START and release when engine begins running.

Note: If the battery's charge is too weak to start the engine, the engine can be started with the recoil starter.

4. Regulate throttle as desired between  (FAST) and  (SLOW). Allow the engine to warm-up. During warm-up, the equipment can be operated.

Stopping Engine

1. Release control bar to stop blade and traction drive. Move ground speed control to  (NEUTRAL). To stop engine, move throttle to  (OFF). Stay behind the handle until all moving parts stop.
2. Pull wire off spark plug if mower will be unattended or not used. Remove key from switch on electric start model.

Blade and Self-propelled Drive


The mower has three ground speeds: number "1" is slow, "2" is medium, and "3" is a fast walking pace.

1. Move ground speed control to desired setting.
1. Move control bar down to "A" and raise to "B" to engage blade (Fig. 11).
2. Squeeze control bar against handle "C" to engage traction drive (Fig. 11).

Ground speed varies, depending on space between control bar and handle. To disengage traction drive but keep blade engaged, gradually release control bar to mid position (Fig. 11).

To self-propel with blade disengaged, simply squeeze control bar against handle, eliminating downward movement necessary for blade engagement.

Note: Do not shift speeds while control bar is squeezed against handle in the "C" (drive) position (Fig. 11); the transmission could be damaged. Move control bar to the mid position when changing ground speed.

Ground speed can be varied by increasing or decreasing distance between control bar and handle. Lower control bar to slow mower when making a turn or if mower is moving too fast for you. If you lower control bar too far, the mower will stop self-propelling. Squeeze control bar closer to handle to increase ground speed. When control bar is tight against handle, mower will self-propel at maximum ground speed. Move ground speed control to  (NEUTRAL) when using the mower for trimming and whenever leaving mower.

Pulling Mower Rearward

Your mower is equipped with free-wheeling clutches which make it easier to pull the mower rearward. The control bar must be lowered enough to disengage the self-propelled drive and disengage the clutches before pulling the mower rearward. The mower may need to be pushed forward one inch or more after control bar has been released to disengage the self-propelled drive and disengage the clutches.

For example, if you are approaching an object such as a tree or bush from which you want to pull back the mower, lower the control bar just enough to disengage the traction drive when the mower is about six inches away from the object. The momentum of the mower should carry it forward at least one inch which will disengage the clutches. Then you should be able to easily pull the mower rearward.

The self-propelled cable should be properly adjusted so that you can lower the control bar comfortably to stop the traction drive without stopping the engine. See Self-propelled Cable section in the Maintenance chapter for cable adjustment information. If you need help, see your Authorized Toro Service Dealer.

Using Discharge Tunnel Plug

Model 20475 and 20476 only

1. Make sure engine is off. Open the discharge door by pulling forward on the handle and moving it rearwards (Fig. 4). Hold the discharge door handle to prevent the spring-loaded door from closing while inserting the plug.
2. Since the plug is slightly wider than the discharge tunnel opening, you must rotate the plug clockwise slightly while inserting it (Fig. 4). Make sure the arrow on the plug decal is pointing upwards.
3. Push the plug all the way in until the spring clip on the bottom of the plug clicks into place, locking the plug securely into the discharge tunnel (Fig. 5). Release the discharge door handle to lock the top of the plug.
4. To remove the plug, move the discharge door handle rearwards while at the same time lift up the spring clip on the bottom of the plug. When the plug is unlocked, pull it out of the discharge tunnel.

Note: When grass is thick and lush, clippings may collect on and around the discharge tunnel plug. This may make plug removal difficult. Clean plug thoroughly after each use. Refer to Cleaning, page 20.

Using Grass Bag

Model 20472 and 20473 only

Occasionally you may wish to use the grass bag for bagging extra long grass, lush grass or leaves.

1. Stop engine and wait for all moving parts to stop.

2. Ensure discharge door handle is fully forward and pin is engaged in catch (Fig. 12).
3. **INSTALLING BAG**—Slide hole in bag frame onto retaining post on discharge tunnel (Fig. 12). Set rear of bag frame onto support rod.
4. Pull discharge door handle forward until pin clears catch and move handle rearward until pin locks in bag notch (Fig. 13). Discharge door in mower housing is now open.

DANGER

POTENTIAL HAZARD

- Grass clippings and other objects can be thrown from an open discharge tunnel.

WHAT CAN HAPPEN

- Objects thrown with enough force could cause serious personal injury or death to operator or bystander.

HOW TO AVOID THE HAZARD

- Never open door on discharge tunnel when engine is running unless the grass bag, optional side discharge attachment or discharge tunnel plug is securely installed.

DANGER

POTENTIAL HAZARD

- A worn grass bag could allow small stones and other similar debris to be thrown in operator's or bystander's direction.

WHAT CAN HAPPEN

- Thrown objects can cause serious personal injury or death to operator or bystanders.

HOW TO AVOID THE HAZARD

- Check the grass bag frequently. If it is damaged, install a new genuine TORO replacement bag.

DANGER

POTENTIAL HAZARD

- **Thrown objects may result if discharge door does not close completely.**

WHAT CAN HAPPEN

- **Thrown objects can cause serious personal injury or death.**

HOW TO AVOID THE HAZARD

- **If discharge door cannot be closed because grass clippings clog discharge area, stop engine and gently move discharge door handle back and forth until door can be closed completely. If door still cannot be closed, remove obstruction with a stick, not your hand.**

5. **EMPTYING BAG**—Stop engine and wait for all moving parts to stop. Lift discharge door handle straight up and move it forward to engage the locking pin with catch (Fig. 12). Grasp bag frame handle and rear of bag and lift bag off mower. Gradually tip bag forward to empty clippings.
6. To reinstall bag, repeat steps 3-4.

Adjusting Cutting Height

Toro's exclusive SmartWheel® provides a simple method for determining the proper cutting height.

The SmartWheel has two cutting scales — SPARSE/NORMAL and LUSH — to ensure the best height-of-cut setting in any mowing condition (Fig. 14). Use the SPARSE/NORMAL scale during the warm summer season for the majority of your mowing. The LUSH scale is for thick, moist, succulent grass that grows most often in the spring.

In general, it is recommended that:

- Grass length should usually be cut at the C, D or E settings or maintained at two to three inches in height.

- Cutting below the C setting is not recommended unless grass is sparse or it is late fall when grass growth begins to slow down. When cutting long grass, you may need to use a higher height-of-cut setting and a slower walking speed; then recut the grass at a more normal setting. If grass is too long and leaves clumps on top of lawn, mower may plug and cause engine to stall.
- The SmartWheel calculates the proper setting to ensure that no more than 1/3 of the grass blade is cut off.

DANGER

POTENTIAL HAZARD

- **Adjusting height-of-cut levers could bring hands into contact with moving blade.**

WHAT CAN HAPPEN

- **Contact with rotating blade can cause serious injury.**

HOW TO AVOID THE HAZARD

- **Stop engine and wait for all movement to stop before adjusting cutting height.**
- **Do not put fingers under housing when adjusting height-of-cut.**


1. Before starting the engine and beginning to mow, push the mower into the grass. Stop when the words SPARSE/NORMAL and LUSH are upright on the SmartWheel design on the rear left wheel (Fig. 14).
2. Using the color coded SmartWheel design (Fig. 14), compare the tips of the grass blades to the colors/letters on the wheel. Whichever color/letter the tips of the grass blades correspond with is the proper cutting height.
3. Squeeze the mower's height-of-cut lever toward the wheel and move it to the corresponding color/letter on the mower housing (Fig. 15). For easier adjustment, lift housing up so wheel is off ground. **Do not put fingers under housing when lifting.** Ensure pin on height-of-cut lever engages slot in housing. Adjust all wheels to the same color/letter setting.

Note: Front wheels can be adjusted to 1/2 inch. Move adjusting lever past “A” and release pin into slot in housing. It is not recommended that the 1/2 inch height-of-cut setting be used on a regular basis.

Check Control Bar Operation


Check the control bar before each use to ensure the Blade Brake Clutch (BBC) system is operating properly.

A: Normal Control Bar Operation Test

1. With engine off, wheel mower onto a paved surface in a non-windy area.
2. Put all four wheels in “E” height-of-cut position (Fig. 15).
3. Put ground speed selector in  (neutral) position.
4. Take a half sheet of newspaper and crumple it into a ball small enough to go under deck (approx. three inches in diameter) (Fig. 16).
5. Place ball of newspaper five inches in front of mower (Fig. 16).
6. Start the engine.
7. Push control bar down to lowest position (Fig. 17).
8. Lift control bar to the normal “blade engaged” position (about one inch below the handle) (Position A, Fig. 18). The “fan” noise indicates that the mower blade is turning.
9. Release the control bar (Position B, Fig. 18). A “bang” should be heard. The blade should stop running in three seconds.
10. Immediately push the mower over the newspaper ball.
11. Turn off the engine.

12. Walk around the mower to check for the newspaper ball. If the ball did not go under the deck, repeat steps 5–11.
13. Pull mower away from the newspaper. If the newspaper ball unravels or is shredded, it indicates that the blade has not stopped as it should, resulting in an unsafe operating condition. Contact an Authorized Toro Service Dealer for an inspection at your earliest convenience. However, to detect BBC system deterioration **before** it affects normal operation, we also ask you to perform Special Control Bar Test B which follows.

B: Special Control Bar Test

1. With the engine off, wheel mower onto a paved surface in a non-windy area.
 2. Put all four wheels in “E” height-of-cut position (Fig. 15).
 3. Put ground speed selector in  (neutral) position.
 4. Take a half sheet of newspaper and crumple it into a ball small enough to go under the deck (approx. three inches in diameter) (Fig. 16).
 5. Place ball of newspaper five inches in front of mower (Fig. 16).
 6. Start the engine.
 7. Push control bar down to lowest position (Fig. 19, position B).
 8. Bring the control bar up into the mid position (about 5 inches below the handle cross bar) (Fig. 20, position C).
- Note:** This intermediate position (C) is not the “natural” operating position of the control bar. However, it has proven to be useful in early detection of BBC sticking which could create an unsafe condition later in the life of the mower.
9. Release control bar (Fig. 20, position B).

Note: If a loud bang is heard, the control bar has been raised too high. Repeat steps 7, 8 and 9, but do not raise the control bar as high as in step 8.

10. Immediately push the mower over the newspaper ball.
11. Turn off the engine.
12. Walk around the mower to check for the newspaper ball. If the ball did not go under the deck, repeat steps 5–11.
13. Pull mower away from newspaper. If the newspaper ball unravels or is shredded, it indicates the system could be experiencing wear/deterioration which could result in an unsafe operating condition. Use care in operating the mower and BBC system and contact an Authorized Toro Service Dealer for an inspection of your mower at your earliest convenience. They will ensure that appropriate corrective measures are performed and your mower is restored to proper operating condition.

 **DANGER**

POTENTIAL HAZARD

- **If the Blade Brake Clutch system is inoperative, blade will continue to rotate when control bar is released. Contact with blade could occur.**

WHAT CAN HAPPEN

- **Blade contact can cause serious personal injury or death.**

HOW TO AVOID THE HAZARD

- **Never use a BBC equipped power mower with an inoperative safety system.**
- **Return your lawn mower to your dealer for repair if a safety system fails to operate properly.**

SPECIAL NOTE: Whenever performing operations such as cleaning the mower, first stop the engine and disconnect the spark plug wire. Remove key from switch on electric start model. As with any lawnmower, regardless of the safety features and blade stopping devices used, operators should keep all body parts away from the cutting blade area whenever the mower's engine is running, and keep bystanders away as well.

Should you require further information or assistance, feel free to contact us at:

The Toro Company
Attn: Consumer Service Department
8111 Lyndale Avenue South
Bloomington, MN 55420-1196
(612) 887-8255

If you purchase the optional Rear Bagging Kit (Model No. 59195), the grass bag can be used for an additional test to check the Blade Brake Clutch mechanism.

1. Install the empty grass bag on the discharge tunnel.
2. Start the engine.
3. Push the control bar (Fig. 19) down to the lowest position.
4. Lift the control bar to the normal "blade engaged" position, about one inch below the handle. The bag should begin to inflate which indicates the blade is engaged and rotating.
5. Release control bar. If the bag does not immediately deflate, it indicates the blade is still rotating. Deterioration of the Blade Brake Clutch mechanism may have set in, which could result in an unsafe operating condition. Have mower inspected by an Authorized TORO Service Dealer.

Maintenance

Continued safe and dependable operation requires routine maintenance.

Recommended Maintenance Schedule

Service Item	Service Operation	After every use	5 Hours	25 Hours	50 Hours	100 Hours
Housing	Clean built-up grass clippings and dirt.	X				
Fasteners	Check blade and engine mounting fasteners frequently. Keep all nuts, bolts and screws tight to be sure the mower is in safe working condition.		X			
Lubrication	Grease rear grease fittings.			X		
Spark Plug	Inspect every 25 hours and replace if necessary. Replace after every 100 operating hours or once a season.			X		
Engine Oil	Drain and refill engine crankcase with fresh oil after first 5 hours of operation. Thereafter, change every 50 hours. Change oil every 25 hours when operating under heavy load or in high temperatures.				X	
Blade	Sharpen or replace; maintain more frequently if edge is dulled quickly in rough or sandy conditions.				X	
Blade Brake	Check stopping time every 50 hours or at start of each mowing season. Blade must stop within three seconds of releasing bail; if not see your Authorized Toro Service Dealer for repair.				X	
Fuel System	Check for leakage and/or deterioration of fuel hose. Replace if necessary.				X	
Air Filter	Clean or replace each mowing season or every 100 hours. Clean more frequently if operating conditions are dusty.					X
Cooling System	Clean grass, clippings, debris or dirt that may clog engine air cooling fins and starter. Clean more frequently if operated under dirty or high chaff conditions.					X

CAUTION

POTENTIAL HAZARD

- If you leave the wire on the spark plug, someone could start the engine.

WHAT CAN HAPPEN

- Accidental starting of engine could seriously injure you or other bystanders.

HOW TO AVOID THE HAZARD

- Pull wire off spark plug before you do any maintenance. Also push wire aside so it does not accidentally contact spark plug.

Air Filter

Normally, clean air cleaner after every 100 operating hours or every season. More frequent cleaning is required when mower is operated in dusty or dirty conditions. Replace air cleaner parts, if very dirty.

IMPORTANT: Do not operate engine without air filter element; extreme engine wear or damage will occur.

Note: Tipping mower on wrong side to service underside of mower may cause damage to air filter.

1. Stop engine and pull wire off spark plug (Fig. 8). Remove key from switch on electric start model.
2. Rotate knob securing air cleaner cover to engine until cover can be removed. Clean cover thoroughly (Fig. 21).
3. If outside of foam element is dirty, remove it from air cleaner body (Fig. 21). Clean thoroughly.
 - A. WASH foam element in a solution of liquid soap and warm water. Squeeze to remove dirt, but do not twist because foam may tear. Rinse thoroughly in clear water.
 - B. DRY by wrapping in a clean rag. Squeeze rag and foam element to dry.

- C. SATURATE element with approximately 5 ounces (150 ml) of 10W-30 engine oil. Squeeze element to remove excess oil and to distribute oil thoroughly. A damp element is desirable.

4. Reinstall foam element and air cleaner cover.

Drain Gasoline

1. Stop engine and wait for engine to cool. Pull wire off spark plug (Fig. 8). Remove key from switch on electric start model.

WARNING

POTENTIAL HAZARD

- If gasoline is spilled on a hot engine, it could ignite.

WHAT CAN HAPPEN

- Contact with burning gasoline could cause serious personal injury.

HOW TO AVOID THE HAZARD

- Drain gasoline from a cold engine only.

2. Remove cap from fuel tank and use pump-type syphon to drain fuel into clean gas can.

Note: This is the only procedure recommended for draining fuel.

Change Engine Oil

Change oil after the first 5 operating hours and then after every 50 hours or every season. Change oil while engine is warm.

Note: Change oil every 25 hours when operating under heavy load or in high temperatures.

WARNING

POTENTIAL HAZARD

- **Tipping mower may cause fuel leakage from carburetor or fuel tank.**

WHAT CAN HAPPEN

- **Gasoline is extremely flammable, highly explosive and under certain conditions can cause personal injury or property damage.**

HOW TO AVOID THE HAZARD

- **Avoid fuel spills by running engine dry or remove gas with hand pump, never siphon.**

1. Stop engine and pull wire off spark plug (Fig. 8). Remove key from switch on electric start model.
2. Drain gasoline from fuel tank. See Drain Gasoline section.
3. Remove dipstick from oil fill tube and place a drain pan next to left side of mower.
4. Tip mower on left side.
5. Drain oil from oil fill tube at dipstick (Fig. 22). Drain oil into appropriate container. Dispose of oil properly. Recycle per local codes.
6. Turn mower upright.
7. Fill crankcase to FULL line on dipstick with fresh oil. See Before Starting chapter, Oil section for specifications.
8. Check oil level and reinstall dipstick.
9. Wipe up any spilled oil.

Spark Plug

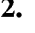
A spark plug that is dirty, pitted, carbon-covered or has worn electrodes may cause hard starting and poor operation.

Remove plug after every 25 operating hours and check its condition. Replace spark plug every 100 operating hours or every season. Use a Champion RC12YC spark plug or equivalent.

1. Stop engine and pull wire off spark plug (Fig. 8). Remove key from switch on electric start model.
2. Remove spark plug and clean with a wire brush, removing carbon build-up. **DO NOT SAND BLAST.** Check condition of plug for cracks and damaged or worn electrodes. Replace if necessary.
3. Set spark plug gap at .030 inch (.76 mm) (Fig. 23).
4. Install spark plug by hand, then torque to 14 ft.-lbs. (19 N·m) (Fig. 23).
5. Reconnect spark plug wire when maintenance is completed.

Throttle Cable

Throttle control adjustment may be required if engine does not start or stop. Whenever a new throttle control cable is installed, throttle must be adjusted.

1. Stop engine and pull wire off spark plug (Fig. 8). Remove key from switch on electric start model.
2. Move throttle control to  (FAST) position.
3. Loosen cable clamp screw until throttle cable slides (Fig. 24).
4. Move throttle cable left or right until holes in throttle lever and throttle bracket align (Fig. 24).
5. Tighten cable clamp screw to lock adjustment in place.

Self-propelled Cable

If mower does not self-propel or has a tendency to creep forward when traction is not engaged, adjust wheel drive control knob on rear of gear box (Fig. 25).

1. Stop engine and pull wire off spark plug (Fig. 8). Remove key from switch on electric start model.
2. Rotate control knob clockwise 1/2 turn if mower does not self-propel. If mower creeps forward, rotate knob 1/2 turn counterclockwise to loosen belt.
3. Slowly pull mower backward while control bar is gradually moved toward handle. Adjustment is correct when:
 - mower does not creep forward when traction is disengaged
 - control bar is at a comfortable operating distance from the handle for operator's hand when disengaging and engaging the self-propelled drive.

Note: Do not overadjust cable. Cable should be just tight enough to make wheels turn when control bar is at a distance from the handle that is comfortable for operator's hand. Overadjusting may require excessive operator effort to engage or disengage self-propelled drive.

If you need help, see your Authorized Toro Service Dealer.

Blade

A straight sharp blade provides maximum cutting performance. Regularly inspect and sharpen blade.

WARNING

POTENTIAL HAZARD

- **Blade is sharp.**

WHAT CAN HAPPEN

- **Contact with sharp blade can cause serious personal injury.**

HOW TO AVOID THE HAZARD

- **Wear gloves or wrap sharp edges of the blade with a rag.**

1. Stop engine and pull wire off spark plug (Fig. 8). Remove key from switch on electric start model.
2. Drain gasoline from fuel tank. See Drain Gasoline section.
3. Tip mower on its left side (Fig. 26). Avoid rotating blade as starting problems may result.
4. **INSPECTING BLADE**—Carefully examine blade for sharpness and wear, especially where flat and curved parts meet (Fig. 27). Since sand and abrasive material can wear away the metal that connects the flat and curved parts of the blade, check blade before using the mower. If a slot or wear is noticed, (Fig. 27B & C), replace blade. Refer to step 5.
5. **REMOVING BLADE**—Grasp end of blade using a rag or thickly padded glove. Remove (2) blade nuts, anti-scalp cup, accelerator, and blade (Fig. 26).

WARNING

POTENTIAL HAZARD

- A worn or damaged blade could break and a piece of blade could be thrown in operator's or bystander's direction.

WHAT CAN HAPPEN

- A thrown piece of blade could cause serious personal injury or death to operator or bystanders.

HOW TO AVOID THE HAZARD

- Inspect blade periodically for wear or damage.
- Replace a worn or damaged blade.

Note: For best performance, install new blade before cutting season begins. During the year, file down small nicks to maintain the cutting edge.

6. **SHARPENING BLADE**—Using a file, sharpen top side of blade (side facing mower housing) and maintain original cutting angle (Fig. 28). The blade will remain balanced if the same amount of material is removed from both cutting edges.

IMPORTANT: Check balance of blade by putting it on a blade balancer. An inexpensive balancer can be purchased at a hardware store. A balanced blade will stay in a horizontal position and an unbalanced blade will settle to the heavy side. If the blade is not balanced, file more metal off cutting edge on heavy end of blade.

7. Install sharp, balanced blade, accelerator, anti-scalp cup, and (2) blade nuts. Sail part of blade must point toward top of mower housing to assure correct installation. Tighten the blade nuts to 15-27 ft-lb (20-37 N·m).

WARNING

POTENTIAL HAZARD

- Operating mower without accelerator in place could cause blade to flex, bend or break.

WHAT CAN HAPPEN

- A broken blade could cause serious injury or death to operator or bystanders.

HOW TO AVOID THE HAZARD

- Do not operate mower without accelerator.

Lubrication

After every 25 operating hours or when season ends, front and rear wheels must be lubricated.

1. Apply 2 or 3 drops of light oil on inside and outside of all wheel bolts. Spin wheels to distribute oil into bushings. Wipe up excess oil.
2. Move rear wheel height-of-cut levers to "C" setting. Wipe grease fittings with clean rag. Install grease gun onto fitting and gently apply two or three pumps of #2 Multi-Purpose Lithium Base Grease (Fig. 29). Excess pressure may damage seals and prevent the free wheel clutch from operating properly.

Blade Brake

Whenever a new blade brake cable assembly is installed, an adjustment is required.

1. Stop engine and pull wire off spark plug (Fig. 8). Remove key from switch on electric start model.
2. Loosen cable clamp screw until brake cable conduit slides (Fig. 30). Pull cable to remove slack, but do not put tension on spring. Tighten screw to lock adjustment in place.

Charging Battery

(electric start model only)

Although a new battery is not fully charge, a partial charge of 4 hours provides enough energy for several starts. However, a new battery must be charged for 72 continuous hours to ensure full charge. Also, charge battery for 72 hours when mower is stored and in the spring. During normal operation, engine alternator keeps battery charged.

1. Stop engine and disconnect wire harness from battery terminal (Fig. 6).
2. If desired, battery can be removed by sliding it out of mounting tabs. However, removal is not required if mower can be positioned near an electrical outlet.
3. Connect TORO electro charger to battery and plug into 120VAC power outlet. After charging battery for specified time, unplug charger and disconnect from battery.
4. Connect wiring harness to battery terminal.

IMPORTANT: Only the TORO electro charger is recommended because other chargers could damage the battery. Always use charger indoors and charge battery at room temperature (+70°F) whenever possible. Do not charge battery longer than 72 hours because damage could result.

Disposing of Battery

(electric start model only)

DO NOT PLACE USED BATTERIES IN YOUR REGULAR TRASH!

THIS SEALED LEAD (ACID) BATTERY MUST BE COLLECTED, RECYCLED OR DISPOSED OF IN AN ENVIRONMENTALLY SOUND MANNER.

The incineration, landfilling or mixing of sealed lead (acid) batteries with the municipal solid waste stream is PROHIBITED BY LAW in some areas.

Return this battery to a federal or state approved sealed lead (acid) battery recycler. This may be where you purchased the battery.

Contact your local waste management officials for other information regarding the environmentally sound collection, recycling and disposal of this battery.

Cleaning

Plug (Model 20475 and 20476 only)

To ensure best performance, the discharge tunnel plug must be cleaned after each use. When grass is thick and lush, clippings may collect on and around the plug; this may make plug removal difficult. After each use, remove plug from discharge tunnel and clean off all debris.

Discharge Tunnel (Model 20475 and 20476 only)

Always be sure that discharge tunnel door closes securely when handle is released. If debris prevents discharge door from closing securely, clean inside of discharge tunnel and door thoroughly.

WARNING

POTENTIAL HAZARD

- **Grass clippings and other objects can be thrown from an open discharge tunnel.**

WHAT CAN HAPPEN

- **Thrown objects can cause serious injury or kill operator or bystanders.**

HOW TO AVOID THE HAZARD

- **Never start or operate the mower unless one of the following is true:**
 1. **The discharge tunnel plug is locked securely in discharge tunnel.**
 2. **The grass bag is locked in place.**
 3. **The optional side discharge chute is locked in place.**
 4. **The discharge tunnel door is locked closed.**

Underside of Mower Housing

To ensure best performance, keep underside of mower housing clean. Be especially careful to keep kickers free of debris (Fig. 31).

Washing Method

Whenever the underside of the mower requires cleaning, follow this procedure for washing debris out from underside of deck.

1. Position mower on a flat concrete or asphalt surface near a garden hose.
2. Start the engine.
3. Engage the blade.
4. Hold the running garden hose at handle level and direct water to flow on ground just in front of right rear tire (Fig. 32). The rotating blade will draw water under the housing and wash out clippings. Let the water run for a few minutes or until you no longer see clippings being washed out from under housing.

5. Disengage the blade.
6. Stop the engine.
7. Turn off the garden hose.
8. Restart mower and let it run for a few minutes to dry out moisture on the mower and its components. While the engine is running, engage and disengage the blade and traction drive several times to dry them out.

Scraping Method

If washing does not remove all debris from under deck, tip mower and scrape it clean.

1. Stop engine and pull wire off spark plug (Fig. 8). Remove key from switch on electric start model.
2. Drain gasoline from fuel tank. See Drain Gasoline section.
3. Tip mower on its left side (Fig. 26).
4. Remove dirt and grass clippings with a hardwood scraper. Avoid burrs and sharp edges.
5. Turn mower upright.
6. Refill gas tank.
7. Reconnect spark plug wire.

Belt Cover

Keep area under belt cover free of debris.

1. Stop engine and pull wire off spark plug (Fig. 8). Remove key from switch on electric start model.
2. With engine turned off, remove bolts securing belt cover (Fig. 33) to mower housing.
3. Lift off cover and brush out all debris from belt area.
4. Reinstall belt cover.

Cleaning Blade Brake Clutch Shield

The BBC (Blade Brake Clutch) shield should be cleaned periodically, at the end of each mowing season at minimum, to ensure best performance and to prevent parts degradation.

1. Stop engine and pull wire off spark plug (Fig. 8). Remove key from switch on electric start model.
2. Drain gasoline from fuel tank. See Drain Gasoline section.
3. Tip mower on its left side (Fig. 26).
4. Remove (2) blade nuts, anti-scalp cup, accelerator, blade, blade spacer, and (3) bolts and washers securing BBC shield to mower deck (Fig. 26).
5. Brush or blow debris from inside of shield.
6. Reinstall BBC shield with (3) bolts and washers, blade spacer, blade, blade stiffener, anti-scalp cup, and (2) blade nuts.
7. Reconnect spark plug wire.


Carburetor Adjustments


The carburetor on this engine is low emission. It is equipped with an idle mixture valve with a limiter (Fig. 34), which allows some adjustment, and an idle speed adjustment screw.

Adjustments

DO NOT ADJUST TOP SPEED SCREW.

It is pre-set at factory.

1. Start engine and warm up approximately 5 minutes before adjusting.
2. With engine running, place throttle control in  SLOW position.
3. Rotate carburetor throttle lever against the idle speed screw and hold it.

4. Turn idle speed screw to obtain 1750 rpm.
5. Rotate idle mixture valve full travel clockwise and then counterclockwise.
6. Finally, position idle mixture valve in middle of travel.
7. Check idle speed and re-adjust to 1750 rpm, if necessary.
8. Move throttle control to  FAST position. Engine should accelerate smoothly. If it does not, adjust idle mixture valve counterclockwise 1/8 turn.

Storage

To prepare lawn mower for off-season storage perform recommended maintenance procedures. See Maintenance chapter.

Store mower in a cool, clean, dry place. Cover mower to keep it clean and protected.

Fuel

WARNING

POTENTIAL HAZARD

- Gasoline can vaporize if stored over long periods of time.

WHAT CAN HAPPEN

- Vaporized fuel can explode if it comes into contact with open flame.

HOW TO AVOID THE HAZARD

- Do not store gasoline (fuel) over long periods of time.
- Do not store mower with fuel in the tank in an enclosure with an open flame. (Example: furnace or water heater pilot light.)
- Allow the engine to cool before storing in any enclosure.

For long term storage, either drain gasoline from fuel tank or use a fuel additive before storing. To drain gasoline, see Draining Gasoline section. After fuel is

drained, start engine and let it idle until all fuel is consumed and engine stops. Repeat the starting procedure two more times to ensure all gas is removed from the engine. If gasoline is not drained, gum-like varnish deposits will form and cause poor engine operation, even starting problems.

Note: If engine is operating on oxygenated or reformulated gasoline (gasoline blended with an alcohol or an ether), remove all fuel from tank and run engine until it stops from lack of fuel before storing.

Fuel can be left in gas tank only if a fuel additive, such as Toro's Stabilizer/Conditioner, is added to gasoline before storing. Toro's Stabilizer/Conditioner is a petroleum distillate based conditioner/stabilizer. Toro does not recommend stabilizers with an alcohol base, such as ethanol, methanol or isopropyl. Use fuel additive in recommended quantities as specified on container.

Engine

1. While engine is still warm, drain oil from crankcase. See Maintenance chapter, Change Engine Oil section.
2. Remove spark plug. Using an oil can, squirt about one tablespoon of oil through spark plug hole.
3. Slowly rotate engine several times, using starter rope, to distribute oil.
4. Reinstall spark plug but DO NOT connect spark plug wire.

Cleaning

1. Clean mower. See Maintenance chapter, Cleaning section.

2. Clean dirt and chaff from cylinder, cylinder head fins, and blower housing. Also remove grass clippings, dirt, and grime from external parts of the engine, shrouding, and top of mower housing.
3. Clean air filter. See Maintenance chapter, Air Filter section.

General

1. Check condition of blade. See Maintenance chapter, Blade section.
2. Tighten all nuts, bolts, and screws.
3. Lubricate the wheels. See Maintenance chapter, Lubrication section.
4. Charge battery. See Maintenance chapter, Charging Battery section.
5. Touch up all rusted or chipped paint surfaces.

Removing From Storage

1. Check and tighten all fasteners.
2. Remove spark plug and spin engine rapidly using starter to blow excess oil from the cylinder. Clean spark plug or replace if cracked, broken or electrodes are worn.
3. Install spark plug and torque to 14 ft.-lbs. (19 N·m).
4. Perform recommended maintenance procedures. See Maintenance section.
5. Fill fuel tank with fresh, clean gasoline.
6. Check engine oil level.
7. Reconnect spark plug wire.

Accessories

For special conditions, the following accessories may be purchased at your local Authorized Toro Service Dealer.

- 1. Rear Bag Kit, Model No. 59192 for hand push models, Model 59195 for self-propelled models) –** Install discharge tunnel and rear mounting grass bag to convert Recycler® mower to a rear bagging mower (Fig. 35). Includes discharge tunnel plug.
- 2. Side Discharge Kit, Model No. 59197—**Installs in seconds. Rear mounted in place of the grass bag or discharge tunnel plug. Disperses clippings while trimming on both sides (Fig. 36).
- 3. Spark Arrestor (Part No. 81-0200)—**If a spark arrestor is required because of local, state, or federal regulations, it may be purchased at your local Authorized TORO Service Dealer. Clean screen after every 75 hours of operation. If mower is operated on any California forest, brush, or grass covered land without a properly operating spark arrestor, the operator is violating state law, Section 4442 Public Resources Code.

California Emission Control Warranty Statement

A Two Year Limited Warranty

Your Warranty Rights and Obligations

The California Air Resources Board and Toro are pleased to explain the emission control system warranty on your 1995 lawn and garden equipment engine. In California, new lawn and garden equipment engines must be designed, built and equipped to meet the State's stringent anti-smog standards. Toro must warrant the emission control system on your engine for the period of time listed below provided there has been no abuse, neglect or improper maintenance of your engine.

Your emission control system may include parts such as the carburetor, the ignition system, hoses, connectors and other emission-related assemblies.

Where a warrantable condition exists, Toro will repair your engine at no cost to you including diagnosis, parts and labor.

Manufacturer's Warranty Coverage:

The 1995 and later lawn and garden equipment engines sold in California are warranted for two years from the date of delivery. If any emission-related part on your engine is defective in materials or workmanship, the part will be repaired or replaced by Toro.

Owner's Warranty Responsibilities:

- As the engine owner, you are responsible for the performance of the required maintenance listed in your owner's manual. Toro recommends that you retain all receipts covering maintenance on your equipment, but Toro cannot deny warranty solely for the lack of receipts or for your failure to ensure the performance of all scheduled maintenance.
- As the engine owner, you should, however, be aware that Toro may deny you warranty coverage if your engine or a part has failed due to abuse, neglect, improper maintenance or unapproved modifications or parts.
- You are responsible for presenting your equipment engine to a TORO Service Dealer as soon as a problem exists. The warranty repairs should be completed in a reasonable amount of time, not to exceed 30 days.
- If you have any questions regarding your warranty rights and responsibilities or if you need a referral to a TORO Service Dealer, please feel free to contact us at the following address:

Toro Customer Service Department
8111 Lyndale Avenue South
Bloomington, MN 55420-1196
612-888-8801
800-348-2424

Warranted Parts:

The warranty period begins on the date the engine or equipment is delivered to a retail purchaser. The manufacturer warrants to the initial owner and each subsequent purchaser that the engine is free from defects in materials and workmanship which cause the failure of a warranted part for a period of two years. Failures caused by abuse, neglect, or improper maintenance are not covered. The use of add-on or modified parts can be grounds for disallowing a warranty claim. The manufacturer is not liable to cover failures of warranted parts caused by the use of add-on or modified parts. The owner is responsible for the performance of the required maintenance, as defined by the manufacturer in the written instructions.

Any warranted part which is not scheduled for replacement as required maintenance, or which is scheduled only for regular inspection to the effect of "repair or replace as necessary" shall be warranted for the warranty period. Any warranted part which is scheduled for replacement as required maintenance shall be warranted for the period of time up to the first scheduled replacement

point for that part. Replacement parts that are equivalent in performance and durability may be used in non-warranty maintenance or repairs, and shall not reduce the warranty obligations of the manufacturer. Coverage under this warranty extends only to the parts listed below (the emissions system parts) to the extent that these parts were present on the engine when purchased.

- Fuel Metering System
 - Cold start enrichment system including the choke mechanism or priming system
 - Fuel pump
 - Air fuel ratio feed back system
 - Carburetor and internal parts

- Air Induction System
 - Air cleaner
 - Reed intake system
 - Intake manifold
 - Controlled hot air intake system

- Ignition System
 - Spark plug(s)
 - Ignition coils and electronics
 - Advance/retard mechanisms

- Catalytic Converter/Thermal Reactor System
 - Catalytic converter
 - Thermal reactor
 - Exhaust manifold

- Air Injection System
 - Air injection system or pulse valve
 - Valves affecting distribution of air

- Exhaust Gas Recirculation (EGR) System
 - EGR valve body and piping system connecting to the intake side of the engine
 - EGR control system

- Particulate Controls
 - Traps filters, precipitators and any other device used to capture particulate emissions

- Miscellaneous Items Used in the Above Systems
 - Vacuum, temperature, and time sensitive valves and switches
 - Electronic controls
 - Hoses, connectors, and assemblies of same

How to Get Warranty Service:

Should you feel your TORO Product requires warranty service, contact the dealer who sold you the product or any Authorized TORO Service Dealer or TORO Master Service Dealer. The Yellow Pages of your telephone directory is a good reference source. The dealer will either arrange service at his/her dealership or recommend another Authorized Service Dealer who may be more convenient. You may need proof of purchase (copy of registration card, sales receipt, etc.) for warranty validation. The owner shall not be charged for diagnostic labor which leads to the determination that a warranted part is defective, if the diagnostic work is performed at a warranty station.

The Toro Company is not liable for indirect, incidental or consequential damages in connection with the use of the TORO Products covered by this warranty, except for damages to other engine components caused by the failure of a warranted part still under warranty. Some states do not allow exclusions of incidental or consequential damages, so the above exclusion may not apply to you.

This warranty gives you specific legal rights, and you may also have other rights which vary from state to state.

It is Toro's policy to design and produce high quality products. To ensure customer satisfaction, Toro has extensive warranty coverage on its products. Your TORO GTS Engine powered product has two warranty statements covering it. The Toro Total Coverage Guarantee is our standard warranty statement and is printed on the last page of this manual.

In addition to The Toro Total Coverage Guarantee, we are so confident that the TORO GTS Engine will provide a high level of performance and durability that we are providing a *Starting Guarantee!* Please read the details of this additional warranty coverage printed below.

THE TORO STARTING GUARANTEE

A Five Year Limited Warranty On All Toro GTS-5 Engines

What Is Covered?

The Toro Company guarantees that your TORO GTS-5 Engine will start on the first or second pull for five years from the date of purchase—if you provide the routine maintenance it requires—or we will fix it. The cost of parts and labor are included, but you must pay transportation costs. This covers TORO GTS-5 rotary mower engines.

What Must You Do To Keep The Warranty In Effect?

You must maintain your TORO GTS-5 Engine by following the maintenance schedule detailed in the operator's manual, at your expense. You must record this work in the maintenance chart provided in your owner's manual and keep your proof of purchase.

How Do You Get Service?

If the starting performance of your TORO GTS-5 Engine should diminish to the point where it will not start in one or two pulls by a normal, able-bodied adult, you should follow the procedures below:

1. Contact any Authorized TORO Service Dealer, TORO Master Service Dealer, or TORO Distributor (the Yellow Pages of your telephone directory is a good reference source).
2. He will either instruct you to return the product to him or recommend another Authorized TORO Service outlet which might be more convenient.
3. Bring the product, your maintenance records, and proof of purchase to the Service Dealer.

If, for any reason, you are dissatisfied with the Dealer's analysis of your engine's starting condition, or the assistance provided, please feel free to contact us:

TORO Customer Service Department
8111 Lyndale Avenue South
Minneapolis, Minnesota 55420

What Does This Warranty Not Cover?

This Warranty does not cover:

1. Any repairs on products used commercially.
2. Normal maintenance including replacement of spark plugs, air filter, fuel filter, and carburetor adjustments.
3. Oil change and lubrication.
4. Repairs or adjustments due to:
 - a. Failure to follow proper maintenance procedures;
 - b. Rotary mower blade striking an object;
 - c. Contaminants in the fuel system;
 - d. Improper fuel or fuel mixture (consult your owner's manual if in doubt);
 - e. Failure to drain the fuel system prior to any period of non-use over three months;
 - f. Operation misuse, neglect or accidents;
 - g. Repairs or attempted repairs by anyone other than an Authorized TORO Service Dealer.
5. Special operational conditions where starting may require more than two pulls, including:
 - a. First time starts after extended period of non-use or seasonal storage;
 - b. Cool temperature starts such as those found in early spring and late fall may require an additional pull or two (applies to rotary products only);
 - c. Improper starting procedures. If you are having difficulty starting your unit, please check the operator's manual to ensure you are using the correct starting procedures. This can save an unnecessary visit to a Service Dealer.

All warranty repairs reimbursable under this warranty must be performed by an Authorized TORO Service Dealer using Toro approved replacement parts.

The above remedy through repair by an Authorized TORO Service Dealer is the purchaser's sole remedy.

How Does State Law Relate To This Warranty?

There is no other express warranty except for The Toro Total Coverage Guarantee. All implied warranties of merchantability (that the product is fit for ordinary use) and fitness for use (that the product is fit for a particular purpose) are limited to the duration of the express warranty.

Some states do not allow limitation on how long implied warranties last, so the above exclusion may not apply to you.

The Toro Company is not liable for indirect, incidental or consequential damages in connection with the use of the product, including any cost or expense of providing substitute equipment or service during periods of malfunction or non-use.

Some states do not allow exclusions of incidental or consequential damages, so the above exclusion may not apply to you.

This warranty gives you specific legal rights, and you may also have other rights which vary from state to state.



Walk
Mowers

THE TORO PERFORMANCE WARRANTY

A Full Warranty (Limited Warranty for Commercial Use)

What Is Covered By This Express Warranty?

The Toro Company promises to repair any TORO Product used for normal residential purposes* if defective in materials or workmanship or if it stops functioning due to the failure of a component. The following time periods apply from the date of purchase:

- Super Recycler® Walk Mowers . 5 year full warranty
- All Others 2 year full warranty

The cost of parts and labor is included, but the customer pays the transportation costs.

What Products Are Covered By This Warranty?

This warranty applies to all gasoline powered consumer walk power mowers. Riding products and wide area walk behind mowers are covered by separate warranty statements.

How About Commercial Use?

TORO Consumer Products used for commercial, institutional or rental use are warranted against defects in material or workmanship. Components failing due to normal wear are not covered by this warranty. The following time periods apply from the date of purchase:

Products	Warranty Period
• 21" Commercial Duty Walk Mowers	1 year limited warranty
• All Others	45 day limited warranty

How Do You Get Warranty Service?

Should you feel your TORO Product requires warranty service, contact the dealer who sold you the product or any Authorized TORO Service Dealer or TORO Master Service Dealer. The Yellow Pages of your telephone directory is a good reference source. The dealer will either arrange service at his/her dealership or recommend another Authorized Service Dealer who may be more convenient. You may need proof of purchase (copy of registration card, sales receipt, etc.) for warranty validation.

If for any reason you are dissatisfied with the Service Dealer's analysis of the defect in materials or workmanship or if you need a referral to a TORO Service Dealer, please feel free to contact us at the following address:

Toro Customer Service Department
8111 Lyndale Avenue South
Bloomington, MN 55420-1196
612-888-8801
800-348-2424

What Must You Do To Keep The Warranty In Effect?

You must maintain your TORO Product by following the maintenance procedures described in the operator's manual. Such routine maintenance, whether performed by a dealer or by you, is at your expense.

What Does This Warranty Not Cover? and

How Does Your State Law Relate To This Warranty?

There is no other express warranty except the TORO Starting Guarantee on GTS Engines. This express warranty does not cover:

- Cost of regular maintenance service or parts, such as filters, fuel, lubricants, oil changes, spark plugs, blade sharpening, blade worn out, cable/linkage adjustments or brake and clutch adjustments.
- Any product or part which has been altered or misused or required replacement or repair due to accidents or lack of proper maintenance.
- Repairs necessary due to improper fuel, contaminants in the fuel system, or failure to properly prepare the fuel system prior to any period of non-use over three months.
- Pickup and delivery charges.

All repairs covered by this warranty must be performed by an Authorized TORO Service Dealer using Toro approved replacement parts.

Repair by an Authorized TORO Service Dealer is your sole remedy under this warranty.

The Toro Company is not liable for indirect, incidental or consequential damages in connection with the use of the TORO Products covered by this warranty, including any cost or expense of providing substitute equipment or service during reasonable periods of malfunction or non-use pending completion of repairs under this warranty. Some states do not allow exclusions of incidental or consequential damages, so the above exclusion may not apply to you.

This warranty gives you specific legal rights, and you may also have other rights which vary from state to state.

* Normal residential purposes means mowing the lawn on the same lot as your home. Use at more than one location is considered commercial use and the commercial use warranty would apply.

COUNTRIES OTHER THAN THE UNITED STATES OR CANADA

Customers who have purchased TORO products exported from the United States or Canada should contact their TORO Distributor (Dealer) to obtain guarantee policies for your country, province, or state. If for any reason you are dissatisfied with your Distributor's service or have difficulty obtaining guarantee information, contact the TORO importer. If all other remedies fail, you may contact us at The Toro Company.

Table des matières

	Page
Introduction	1
Sécurité	2
Consignes de sécurité	2
Décalcomanies de sécurité et instructions ..	6
Décalcomanies de sécurité et instructions ..	7
Assemblage	7
Mancheron	7
Obturbateur de l'éjecteur	8
Batterie	8
Avant la mise en marche	8
Huile	8
Essence	9
Conseils d'utilisation	10
Conseils d'ordre général	10
Fonctionnement	11
Commandes	11
Démarrage du moteur	11
Arrêt du moteur	11
Traction et rotation de la lame	12
Traction manuelle en arrière	12
Usage de l'obturbateur d'éjection	12
Usage du sac à herbe	13
Réglage de la hauteur de coupe	14
Contrôle du fonctionnement de la barre de commande	15
Entretien	18
Programme d'entretien recommandé	18
Filtre à air	19
Vidange de l'essence	20
Vidange de l'huile moteur	20
Bougie	21
Câble de commande des gaz	21
Câble de commande d'autotraction	21
Lame	22

Lubrification	23
Frein de lame	23
Charge de la batterie	23
Mise au rebut de la batterie	24
Nettoyage	24
Nettoyage du bouclier de l'embrayage du frein de lame	25
Réglage du carburateur	25
Remisage	26
Carburant	26
Moteur	27
Nettoyage	27
Divers	27
Après le remisage	27
Accessoires	27
Déclaration de garantie anti-pollution pour la Californie	29
La garantie démarrage de Toro	32
Fiche d'entretien pour la garantie démarrage ..	34
Garantie	35

Introduction

Merci pour votre achat d'un produit Toro.

Chez Toro, notre désir à tous est que vous soyez entièrement satisfait de votre nouveau produit. N'hésitez donc pas à contacter votre concessionnaire agréé local qui tient à votre disposition un service d'entretien et de réparations, des pièces détachées et toute information qui pourrait vous être utile.

Chaque fois que vous contactez votre concessionnaire agréé ou l'usine, tenez à sa disposition les numéros de modèle et de série du produit. Ces numéros aideront le concessionnaire ou le représentant du service après-vente à vous fournir des informations précises pour votre produit particulier. Les numéros de modèle et de série de l'appareil sont indiqués sur une décalcomanie comme illustré à la figure 1.

A titre de référence, notez les numéros de modèle et de série du produit dans l'espace ci-dessous.

No. de modèle :	_____
No. de série :	_____

Lisez attentivement ce manuel pour vous familiariser avec l'utilisation et l'entretien correct de votre produit. La lecture de ce manuel vous aidera, ainsi que les autres utilisateurs, à éviter des accidents corporels et des dommages au produit. Bien que Toro conçoive, fabrique et commercialise des produits sûrs, à la pointe de la technologie, vous avez la responsabilité de l'utiliser correctement et en toute sécurité. Vous êtes également responsable d'instruire les personnes auxquelles vous permettrez d'utiliser le produit, sur l'usage en toute sécurité.

Les mises en garde de ce manuel identifient les dangers potentiels et comprennent des messages de sécurité spécifiques destinés à vous éviter ainsi qu'à d'autres des blessures ou même la mort. Les mises en garde sont intitulées DANGER, AVERTISSEMENT et ATTENTION, suivant le niveau de danger. Toutefois, quel que soit ce niveau, soyez extrêmement prudent.

DANGER signale un risque extrême de blessures ou de mort si les précautions recommandées ne sont pas respectées.


AVERTISSEMENT signale un risque de blessures ou de mort si les précautions recommandées ne sont pas respectées.

ATTENTION signale un risque de blessures légères ou modérées si les précautions recommandées ne sont pas respectées.

Deux autres termes sont également utilisés pour signaler des messages d'informations essentielles : "Important", pour attirer l'attention sur des

informations mécaniques spécifiques, et "Remarque", pour des informations d'ordre général méritant une attention particulière.

Sécurité

Cette machine satisfait ou excède les normes CPSC relatives à la sécurité de la lame pour les tondeuses rotatives guidées par l'arrière, ainsi que les spécifications B71.1 de l'American National Standard Institute en vigueur au moment de la production. Toutefois, un usage ou un entretien incorrect de la part de l'utilisateur ou du propriétaire peut résulter en un accident. Pour réduire les risques d'accident, respecter les présentes règles de sécurité et les mises en gardes pour la sécurité personnelle  intitulées ATTENTION, AVERTISSEMENT OU DANGER, accompagnées du symbole de sécurité. Tout manquement à se conformer à ces directives peut résulter en un accident.

Consignes de sécurité

Ce produit est capable d'amputer les mains et les pieds et de projeter des objets. Toujours respecter toutes les mesures de sécurité pour éviter des blessures graves ou la mort.

ATTENTION

DANGER POTENTIEL

- L'échappement du moteur contient du monoxyde de carbone, un gaz inodore mortellement dangereux.

QUELS SONT LES RISQUES?

- Le monoxyde de carbone entraîne la mort par asphyxie. Il peut aussi provoquer des malformations congénitales.

COMMENT SE PROTÉGER?

- Ne pas faire tourner le moteur à l'intérieur ou dans un endroit clos.

Votre tondeuse est destinée à la tonte de l'herbe, avec dispersion de l'herbe hachée menu ou récupération dans un sac à herbe. Toute utilisation à d'autres fins peut être dangereuse pour l'utilisateur ou les personnes à proximité.

Remarque: L'échappement du moteur N'est PAS équipé d'un pare-étincelle. L'utilisation sur des terrains boisés, broussailleux ou à l'abandon peut être interdite dans certains pays et régions à risque d'incendie.

Recommandations générales

1. Lire attentivement ce manuel avant d'utiliser la tondeuse. Se familiariser avec les commandes et l'usage correct. Ne jamais laisser les enfants de moins de 16 ans utiliser la tondeuse. Ne jamais laisser des adultes utiliser la tondeuse sans instructions adéquates.
2. L'opérateur de la tondeuse a la responsabilité de veiller à tenir tout le monde, en particulier les enfants et les animaux domestiques, à l'écart de la zone de tonte. Il sera tenu responsable des accidents ou dangers infligés à d'autres personnes ou à leurs biens.
3. Inspecter soigneusement l'endroit où la tondeuse doit être utilisée et le débarrasser des branches, pierres, fils de fer et autres débris. Pendant la tonte, se montrer vigilant pour le cas où des objets étrangers seraient dissimulés par la pelouse.
4. Porter des pantalons longs et des chaussures robustes. Ne pas utiliser la tondeuse en sandales, pieds nus, avec des bijoux ou des vêtements amples.
5. Contrôler le niveau de carburant avant de démarrer le moteur. Le carburant est très inflammable et doit être manipulé avec prudence.
 - A. Conserver le carburant dans un récipient agréé à cet effet.

- B. Remplir le réservoir de carburant à l'extérieur, jamais à l'intérieur. **NE JAMAIS AJOUTER DE L'ESSENCE LORSQUE LE MOTEUR TOURNE OU QU'IL EST CHAUD.**

- C. Ne pas fumer lorsqu'on ajoute du carburant.
- D. Reboucher le bidon d'essence et le réservoir, et éponger l'essence éventuellement répandue avant de démarrer le moteur.

6. Veiller à ce que toutes les gardes, écrans, ramasse-herbes et dispositifs de sécurité soient en place. Réparer ou remplacer les pièces endommagées, y compris les décalcomanies. Vérifier tous les dispositifs de sécurité avant chaque usage.
7. Avant d'utiliser la tondeuse, toujours vérifier si les lames, boulons de lame et ensembles de coupe ne sont pas usés ou endommagés. Remplacer les boulons et les lames usées ou endommagées par paires pour ne pas modifier l'équilibre.
8. La traction, la lame et le moteur doivent s'arrêter lorsqu'on lâche la barre de commande. Contrôler le bon fonctionnement des commandes et du frein avant chaque utilisation de la tondeuse.
9. Débrayer la traction avant de démarrer le moteur.

Utilisation

1. Ne pas faire tourner le moteur à l'intérieur.
2. Démarrer le moteur avec précaution suivant les instructions et tenir les pieds à l'écart de la lame.
3. Toujours se tenir bien en équilibre. Tenir fermement le mancheron et marcher; ne jamais courir. Ne jamais utiliser la tondeuse sur de l'herbe humide. Ne tondre que pendant la journée ou sous un éclairage artificiel suffisant.
4. Tondre perpendiculairement à la pente, jamais vers le haut ou le bas. Procéder avec une extrême prudence lors d'un changement de direction sur une pente. Ne pas utiliser la tondeuse sur des pentes trop fortes. Sur les pentes, porter des chaussures antidérapantes.

-
5. Ne pas approcher le visage, les mains ou les pieds du carter de tondeuse et de la lame tant que le moteur tourne. La lame peut causer des blessures aux mains et aux pieds.
 6. Etre très prudent lorsqu'on travaille en marche arrière ou que l'on tire la tondeuse vers soi.
 7. Rester derrière le mancheron jusqu'à l'arrêt du moteur, et ne jamais se tenir devant l'ouverture de l'éjecteur.
 8. Lors de l'ensachage de l'herbe, arrêter le moteur et rester derrière le mancheron jusqu'à l'arrêt complet de toutes les pièces mobiles avant de retirer le sac pour le vider.
 9. Avant de tondre, s'assurer que le sac à herbe est installé sur l'ouverture de l'éjecteur.
 10. Couper le moteur et rester derrière le mancheron jusqu'à l'arrêt complet de toutes les pièces mobiles avant de dégager l'éjecteur s'il est obstrué.
 11. Etant donné que la lame tourne encore pendant quelques secondes lorsqu'on lâche la barre de commande, rester derrière le mancheron jusqu'à ce que le moteur soit arrêté.
 12. Après avoir heurté un corps étranger ou si la tondeuse vibre de façon anormale, arrêter le moteur et débrancher le fil de la bougie. Vérifier si la tondeuse n'est pas endommagée et effectuer toutes les réparations nécessaires avant de l'utiliser à nouveau. Pour toute réparation importante ou assistance, contacter le concessionnaire réparateur Toro agréé local.
 13. Arrêter le moteur et attendre l'arrêt complet de toutes les pièces mobiles avant de régler la hauteur de coupe.
 14. Débrayer la lame pour pousser la tondeuse hors de la zone de tonte.
 15. Arrêter le moteur avant de quitter la position de commande derrière le mancheron. Débrancher le fil de bougie avant de laisser la tondeuse sans surveillance.
 16. Ne pas toucher au moteur lorsqu'il tourne ou qu'il vient d'être arrêté, en raison du risque de brûlures par les surfaces portées à haute température.
 17. Ne rajouter du carburant que lorsque le moteur est froid.
 18. Si la tondeuse doit être soulevée pour le transport, arrêter le moteur et attendre l'arrêt complet de toutes les pièces mobiles.

Entretien

1. Effectuer uniquement les entretiens décrits dans ce manuel. En cas de problèmes, ou si la tondeuse requiert des réparations importantes, s'adresser à un vendeur réparateur TORO agréé.
2. Avant de procéder à tout nettoyage, inspection, réparation ou réglage, arrêter le moteur et débrancher le fil de bougie. Eloigner le fil de la bougie afin d'éviter tout démarrage accidentel.
3. Pour s'assurer que la tondeuse peut être utilisée en toute sécurité, vérifier fréquemment le serrage de tous les boulons, écrous et vis. Vérifier que les écrous de lame sont serrés à 15-27 ft.-lbs. (20-37 N.m).
4. Pour l'entretien de la lame, voir à la section du même nom les procédures de montage et de service.
5. Pour réduire les risques d'incendie, débarrasser le moteur de toute accumulation excessive de graisse, d'herbe, de feuilles et de poussière.
6. Ne pas provoquer un surrégime du moteur en changeant le réglage du régulateur.
7. Vérifier régulièrement si le sac à herbe n'est pas abîmé ou trop usé, et le remplacer à temps pour préserver la sécurité.
8. Laisser le moteur refroidir avant de ranger la tondeuse dans un espace clos. Ne pas entreposer la machine à proximité d'une flamme vive ou dans un endroit où des vapeurs d'essence risquent d'être enflammées par une étincelle.

9. Au moment de sa sortie d'usine, la machine satisfait à toutes les normes de sécurité applicables aux tondeuses rotatives. Pour assurer des performances optimales et conserver la garantie de sécurité de la tondeuse, utiliser

exclusivement des pièces et accessoires TORO d'origine. Si l'on utilise des pièces ou accessoires d'autres marques, la tondeuse risque de ne plus répondre aux normes de sécurité, ce qui peut être dangereux.

Décalcomanies de sécurité et instructions



Les décalcomanies de sécurité et instructions sont facilement visibles par l'opérateur et placées près des pièces potentiellement dangereuses. Remplacer toute décalcomanie endommagée ou manquante.



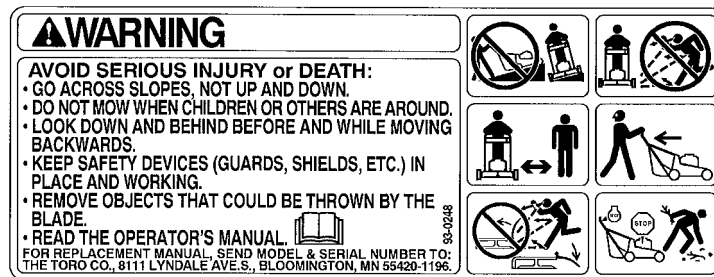
SUR LE CARTER DE TONDEUSE
(Réf. 43-8480)



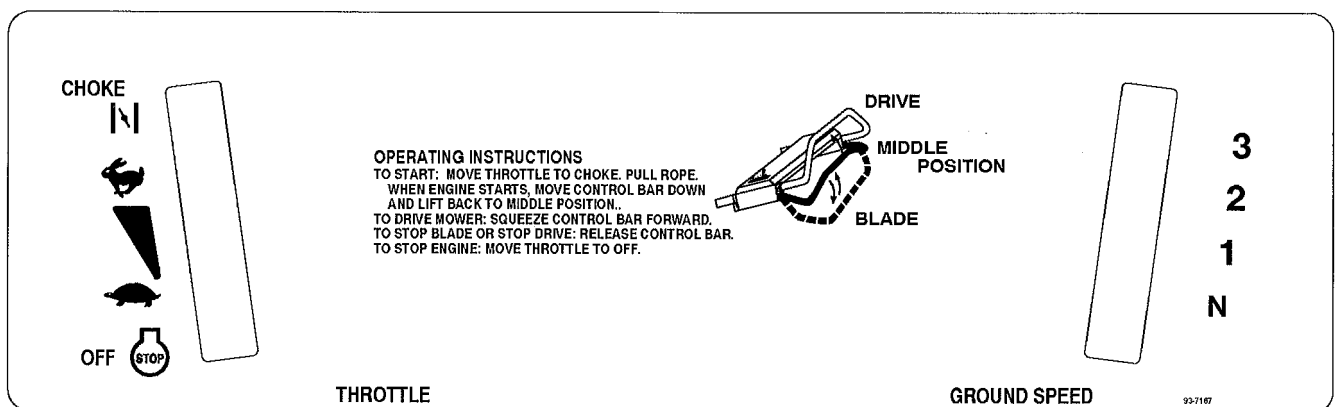
SOUS LE DEFLECTEUR DU CARTER DE TONDEUSE
(Réf. 82-8450)



SUR LE CARTER DE TONDEUSE
(Réf. 46-7370)



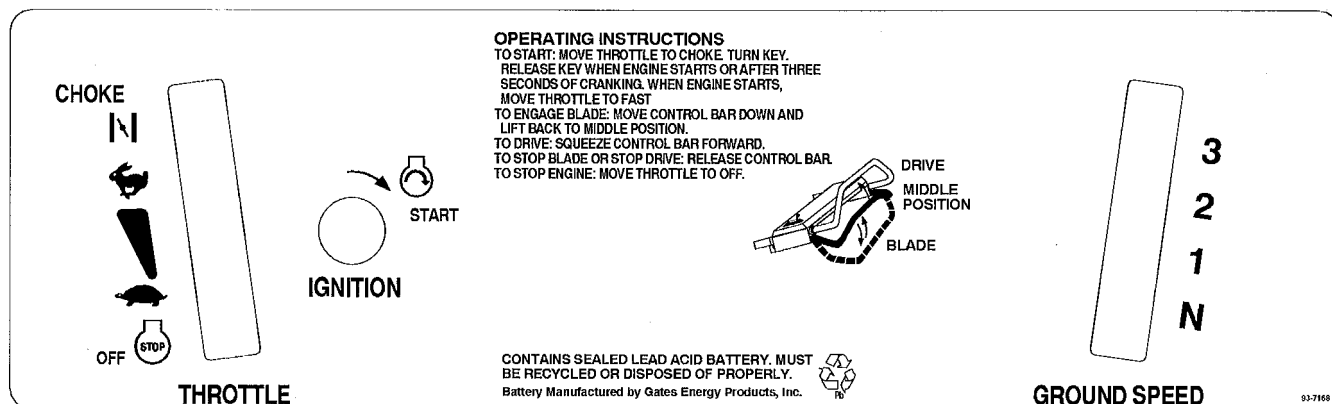
SUR LE CARTER DE TONDEUSE
(Réf. 93-0248)



(Modèle: 20465)

SUR LA CONSOLE DE COMMANDE
(Réf. 93-7167)

Décalcomanies de sécurité et instructions



(Modèle: 20466)

SUR LA CONSOLE DE COMMANDE (Réf. 93-7168)

Assemblage

Remarque: Pour déterminer les côtés droit et gauche de la tondeuse, se placer en position normale de conduite.

Mancheron

1. La tondeuse est expédiée de l'usine avec une cale de protection entre les parties supérieure et inférieure du mancheron pour ne pas les endommager lors du transport ou de l'assemblage. Aligner les parties supérieure et inférieure du mancheron, et extraire la cale avec une pince.
2. Lors de l'expédition d'usine, le bouton de gauche (Fig. 2) est monté du côté extérieur du mancheron. Retirer le bouton de gauche et son boulon, et le remonter du côté intérieur du mancheron (Fig. 3). Les deux boutons doivent se trouver du côté intérieur du mancheron. Serrer les boutons.

3. Ecarter légèrement les pattes de verrouillage vers l'extérieur pour qu'elles ne gênent pas le pivotement du mancheron vers l'arrière en position de conduite (Fig. 3).
4. Pivoter le mancheron vers l'arrière. Ramener les pattes de verrouillage vers l'intérieur, et encliqueter le goujon du mancheron dans le trou du milieu de la patte de verrouillage (Fig. 3). Si une des pattes de verrouillage ne repose pas contre le tube de mancheron, dégager la patte hors du goujon, plier la patte vers l'intérieur et la rattacher au goujon. Répéter l'opération si nécessaire pour fixer étroitement les pattes au mancheron. S'assurer que les boutons du mancheron sont bien serrés.

Remarque: La hauteur du mancheron peut être modifiée en insérant le goujon dans un des autres trous.

5. Contrôler le passage des câbles de commande derrière le mancheron, du côté intérieur. Attacher les câbles au mancheron au moyen de liens (Fig. 3).

Obturateur de l'éjecteur

Modèle 20475 et 20476 uniquement

1. Ouvrir le volet d'éjecteur en tirant la poignée du volet vers l'avant, puis en l'abaissant vers l'arrière (Fig. 4). Tenir la poignée du volet pour empêcher celui-ci de se refermer durant l'insertion de l'obturateur.
2. L'obturateur étant légèrement plus large que l'ouverture de l'éjecteur, le faire pivoter légèrement dans le sens des aiguilles d'une montre pour l'insérer (Fig. 4). La flèche sur la décalcomanie de l'obturateur doit être dirigée vers le haut.
3. Insérer l'obturateur à fond jusqu'à ce que le levier de verrouillage au bas de l'obturateur clique en position et verrouille solidement l'obturateur dans le conduit d'éjection (Fig. 5). Lâcher la poignée du volet d'éjection pour verrouiller le haut de l'obturateur.

Batterie

(Modèle à démarreur électrique uniquement)

1. Insérer la batterie, côté étiquette vers le haut, entre les languettes de fixation à l'arrière de la console de commande et raccorder les câbles (Fig. 6).
2. Charger la batterie, voir Charge de la batterie.

Avant la mise en marche

Huile

Remplir le carter d'huile SAE 30 jusqu'à ce que le niveau atteigne le repère FULL (plein) de la jauge. A défaut d'huile SAE 30, on peut utiliser une huile

10W-30. La capacité maximale du carter d'huile est de 750 ml (25 onces). Toutes les huiles détergentes de haute qualité classées SF, SG ou SH (classification API — American Petroleum Institute) sont acceptables.

Avant chaque utilisation, vérifier que le niveau d'huile se trouve entre les repères FULL (plein) et ADD (ajouter) de la jauge à réglette (Fig. 7). Faire l'appoint suivant les besoins.

1. Placer la tondeuse de niveau sur une surface horizontale et nettoyer le pourtour de l'orifice de remplissage. (Fig. 7).
2. Sortir la jauge en dévissant le bouchon d'un quart de tour vers la gauche.
3. Essuyer la réglette de la jauge et la réinsérer dans le goulot de remplissage. Tourner le bouchon d'un quart de tour vers la droite. Retirer à nouveau la jauge et vérifier que le niveau d'huile se trouve entre les repères FULL et ADD (Fig. 7). Si le niveau est insuffisant, ajouter juste assez d'huile pour arriver au niveau du repère FULL. **NE PAS REMPLIR AU-DELA DE CE REPÈRE, SOUS PEINE D'ENDOMMAGER LE MOTEUR LORS DU DÉMARRAGE. VERSER L'HUILE LENTEMENT.**
4. Insérer la jauge dans le goulot de remplissage et verrouiller le bouchon en le vissant d'un quart de tour vers la droite.

Remarque: Vérifier le niveau de l'huile avant chaque utilisation de la tondeuse ou toutes les 5 heures de fonctionnement. Lors de la première utilisation, remplacer l'huile après les 2 premières heures de fonctionnement et par la suite, toutes les 25 heures d'utilisation, ou plus fréquemment si l'on utilise la tondeuse en conditions particulièrement sales ou poussiéreuses.

Essence

DANGER

DANGER POTENTIEL

- Dans certaines conditions, l'essence est extrêmement inflammable et hautement explosive.

QUELS SONT LES RISQUES?

- Un incendie ou une explosion causés par l'essence peuvent occasionner des brûlures à vous ou à d'autres personnes, ainsi que des dégâts matériels.

COMMENT SE PROTÉGER?

- Utiliser un entonnoir et remplir le réservoir à l'extérieur, dans un endroit dégagé, lorsque le moteur est froid. Essuyer l'essence éventuellement répandue.
- Ne pas remplir le réservoir à ras bords. Le niveau d'essence doit arriver à 6 à 13 mm (1/4 à 1/2 po.) sous le goulot de remplissage. L'espace au-dessus doit rester vide pour permettre à l'essence de se dilater.
- Ne pas fumer lorsqu'on manipule de l'essence, et se tenir à l'écart de toute flamme nue ou source d'étincelles.
- Conserver l'essence dans un récipient homologué, hors de la portée des enfants.
- Ne jamais acheter une provision d'essence correspondant à une consommation de plus de 30 jours.

Le moteur est agréé pour fonctionner à l'essence sans plomb. Toro recommande vivement l'usage d'essence normale **SANS PLOMB** fraîche et propre, à indice d'octane de 85 ou plus, dans tous ses produits à moteur à essence. L'essence sans plomb brûle plus proprement, prolonge la vie du moteur et facilite le démarrage en réduisant l'accumulation de dépôts dans la chambre de combustion. En dehors des Etats-Unis, de l'essence au plomb peut être utilisée si l'essence sans plomb n'est pas disponible dans le commerce.

IMPORTANT: Ne pas mélanger d'huile à l'essence. Ne pas utiliser d'essence conservée d'une saison à l'autre dans un récipient homologué.

Toro recommande également l'usage régulier de stabilisateur/conditionneur de carburant Toro dans toutes les machines Toro à moteur à essence, tant en période d'utilisation qu'en période de remisage. Le stabilisateur/conditionneur Toro nettoie le moteur pendant l'utilisation et empêche la formation de dépôts gommeux pendant le remisage.

IMPORTANT: Certains carburants, appelés essence oxygénée ou reformulée, sont des mélanges d'essence et d'alcool ou d'éther. Des quantités excessives de ces produits risquent d'endommager le système d'alimentation ou d'affecter les performances du moteur. Ne jamais utiliser de méthanol, d'essence contenant du méthanol, d'essence contenant plus de 10% d'éthanol ou d'essence blanche sous peine d'endommager le système d'alimentation du moteur. En cas d'apparition de symptômes indésirables, utiliser une essence contenant moins d'alcool ou d'éther.

Ne pas utiliser d'additifs de carburant autres que ceux destinés à stabiliser le carburant durant le remisage, tels que le stabilisateur/conditionneur Toro ou un produit similaire. Le stabilisateur/conditionneur Toro est un produit à base de distillat de pétrole. Toro déconseille l'usage de stabilisateurs à base d'alcools tels que l'éthanol, le méthanol ou l'isopropanol. Ne pas utiliser d'additifs pour tenter d'augmenter la puissance ou d'accroître les performances de la machine.

1. Nettoyer le pourtour de l'orifice de remplissage (Fig. 7) et retirer le bouchon.
2. Remplir le réservoir d'essence sans plomb jusqu'à 6 à 13 mm (1/4 à 1/2 pouce) du haut, sans remplir le goulot de remplissage. Ne pas remplir le réservoir complètement.
3. Replacer le bouchon et essuyer toute essence répandue.
4. Rebrancher le fil de bougie (s'il a été débranché) (Fig. 8).

Conseils d'utilisation

Conseils d'ordre général

Pour la tonte comme pour le hachage de l'herbe et des feuilles, les recommandations ci-dessous permettent d'obtenir un meilleur résultat et un plus bel aspect de la pelouse:

- Maintenir la lame **bien affûtée** tout au long de la saison de tonte. De temps à autre, limer les ébréchures de la lame.
- **N'utiliser la tondeuse que sur de l'herbe ou des feuilles sèches.** L'herbe et les feuilles humides ont tendance à s'agglutiner et peuvent obstruer la tondeuse ou faire caler le moteur. D'autre part, elles sont glissantes et créent un risque de chute pour l'opérateur.



ATTENTION

DANGER POTENTIEL

- **L'herbe et les feuilles mouillées augmentent les risques de glissade et de contact avec la lame.**

QUELS SONT LES RISQUES?

- **Le contact avec la lame peut causer des blessures graves.**

COMMENT SE PROTÉGER?

- **Ne tondre que si l'herbe est sèche.**

- Sélectionner la vitesse supérieure du moteur. La puissance maximum donne les meilleurs résultats.
- Après chaque tonte, débarrasser le dessous de la tondeuse des débris d'herbe et feuilles.
- Conserver le moteur en bon état de marche. Le hachage de l'herbe et des feuilles demande plus de puissance.

- Nettoyer plus fréquemment le filtre à air. Le hachage de l'herbe et des feuilles soulève plus de déchets et poussières susceptibles d'obstruer le filtre à air et de réduire les performances du moteur.

Coupe d'herbe

- L'herbe pousse à une vitesse différente selon les saisons. Pendant les grosses chaleurs, il est en général préférable de régler la hauteur de coupe sur C, D ou E. La hauteur de l'herbe ne doit pas être réduite de plus d'un tiers. Il n'est pas conseillé d'utiliser un réglage inférieur à C (2,5 cm), à moins que l'herbe ne soit clairsemée, ou en automne lorsque la pousse commence à ralentir.
- Pour la coupe d'herbe de plus de 18 cm (6 pouces), il peut être préférable de passer une première fois la tondeuse avec le réglage de hauteur de coupe maximum en avançant plus lentement qu'à l'ordinaire, puis de repasser avec un réglage plus bas afin d'obtenir le meilleur aspect possible. Si l'herbe est trop haute et s'agglutine sur la pelouse, elle risque d'obstruer la tondeuse et de faire caler le moteur.
- Alternier le sens des passages de la tondeuse pour mieux disperser les déchets et assurer une fertilisation plus homogène.

Si l'aspect de la pelouse tondu n'est pas satisfaisant, essayer une ou plusieurs des solutions suivantes:

- Affûter la lame.
- Tondre en avançant plus lentement.
- Élever le réglage de hauteur de coupe.
- Couper l'herbe plus fréquemment.
- Faire se chevaucher les passages pour ne tondre qu'une largeur de bande réduite.
- Régler la hauteur des roues avant un cran plus bas que celle des roues arrière (par exemple "C" à l'avant et "D" à l'arrière).

Coupe de feuilles

- Une fois la coupe terminée, s'assurer qu'au moins 50 % de l'herbe apparaît au travers de la couche de feuilles. Pour obtenir ce résultat, il peut être nécessaire de repasser plusieurs fois la tondeuse sur la couche de feuilles.
- Pour une couche de feuilles légère, régler toutes les roues sur la même hauteur de coupe.
- Si la couche de feuilles est épaisse de plus de 10 cm, régler les roues avant un ou deux crans plus haut que les roues arrière pour faciliter le passage des feuilles sous la tondeuse.
- Si les feuilles ne sont pas hachées assez finement pour être cachées dans l'herbe, avancer plus lentement.
- En présence de beaucoup de feuilles de chêne, il peut être bon de chauler la pelouse au printemps. La chaux compense l'acidité des feuilles de chêne.

Fonctionnement



Commandes

La clé de contact (modèle à démarreur électrique), la manette des gaz, la manette de vitesse de traction (modèle autottracté) et la barre de commande se trouvent sur le mancheron supérieur (Fig. 9). La poignée du lanceur se trouve au-dessus du moteur (Fig. 10).

Démarrage du moteur

Remarque: Le moteur requiert une période de préchauffage de une à plusieurs minutes, selon la température.

1. Connecter le fil d'allumage à la bougie (Fig. 8).

2. Mettre le sélecteur de vitesse de traction au point mort .
3. Régler la manette des gaz sur  (STARTER).



Démarrage manuel

- A. Immobiliser la tondeuse en prenant appui d'un pied du côté gauche du carter de tondeuse, à l'endroit marqué "PLACE FOOT HERE WHEN STARTING" (poser le pied ici lors du démarrage).
- B. Tirer lentement la poignée du lanceur jusqu'à ce qu'on sente une résistance, puis tirer à fond vigoureusement. Laisser la corde revenir lentement vers le mancheron.



Démarrage électrique (modèle à démarreur électrique uniquement)

- C. Insérer la clé de contact
- D. Tourner la clé en position DÉMARRAGE et la laisser revenir dès que le moteur a démarré.

Remarque: Si la charge de la batterie est insuffisante pour lancer le moteur, démarrer à l'aide du lanceur.

4. Régler la manette des gaz comme désiré, entre  RAPIDE et  LENT. Laisser le moteur chauffer. L'équipement peut être actionné durant le préchauffage.

Arrêt du moteur

1. Lâcher la barre de commande pour arrêter la lame et la traction. Mettre le sélecteur de vitesse de traction au point mort . Pour arrêter le moteur, régler la manette des gaz sur  (ARRET). Rester derrière le mancheron jusqu'à l'arrêt complet des pièces en mouvement.

2. Débrancher le fil de la bougie si on n'utilise plus la tondeuse ou si on la laisse sans surveillance. Retirer la clé de contact sur les modèles à démarreur électrique.

Traction et rotation de la lame

La tondeuse offre trois vitesses de traction, "1" lente, "2" moyenne, et "3" rapide.


1. Placer le sélecteur de vitesse sur la position désirée.
2. Faire descendre la barre de commande jusqu'en "A" puis la ramener en "B" pour embrayer la lame (Fig. 11).
3. Serrer la barre de commande jusqu'en "C" contre le mancheron pour embrayer la traction (Fig. 11).

La vitesse de traction varie en fonction de l'écartement de la barre de commande par rapport au mancheron. Pour débrayer la traction sans débrayer la lame, laisser la barre de commande descendre progressivement en position intermédiaire (Fig. 11).

Pour embrayer la traction sans embrayer la lame, serrer simplement la barre de commande contre le mancheron, sans la descendre avant pour embrayer la lame.

Remarque: Ne pas changer de vitesse quand la barre de commande est serrée contre le mancheron en position de marche "C" (Fig. 11) sous peine d'endommager la transmission. Laisser la barre de commande descendre en position intermédiaire avant de changer la vitesse de traction.

La vitesse de traction peut être modulée en augmentant ou en réduisant la distance entre la barre de commande et le mancheron. Laisser la barre de commande descendre un peu pour ralentir dans les tournants ou si la tondeuse avance trop vite. Si la

barre de commande descend trop bas, la tondeuse cesse d'avancer. Pour avancer plus vite, serrer la barre de commande plus près du mancheron. Quand la barre de commande est serrée tout contre le mancheron, la tondeuse avance à la vitesse maximum. Pour tondre autour d'obstacles ou pour quitter la tondeuse un instant, mettre le sélecteur de vitesse au point mort .

Traction manuelle en arrière

La tondeuse est équipée d'une transmission à roue libre pour faciliter la traction en marche arrière. Avant de tirer la tondeuse vers l'arrière, laisser la barre de commande descendre suffisamment pour débrayer la traction et les roues motrices. Il peut être nécessaire de pousser la tondeuse de quelques centimètres vers l'avant pour que la traction et les roues soient effectivement débrayées.

Si par exemple on souhaite tirer la tondeuse en arrière en arrivant près d'un arbre ou d'un buisson, laisser la barre de commande descendre juste assez pour débrayer la traction lorsque la tondeuse est à environ 15 cm de l'obstacle. L'inertie fait encore avancer la tondeuse d'au moins quelques centimètres, ce qui débraye les roues motrices. La tondeuse peut alors être tirée en arrière sans difficulté.

Le câble d'autotraction doit permettre à la barre de commande de descendre facilement pour arrêter la traction sans arrêter le moteur. Voir les instructions de réglage du câble, au chapitre Entretien. En cas de problème, s'adresser à un concessionnaire officiel Toro.

Usage de l'obturateur d'éjection

Modèle 20475 et 20476 uniquement

1. S'assurer que le moteur est arrêté. Ouvrir le volet d'éjecteur en tirant la poignée du volet vers l'avant, puis en l'abaissant vers l'arrière (Fig. 4). Tenir la poignée du volet pour empêcher celui-ci de se refermer durant l'insertion de l'obturateur.

2. L'obturateur étant légèrement plus large que l'ouverture de l'éjecteur, le faire pivoter légèrement dans le sens des aiguilles d'une montre pour l'insérer (Fig. 4). La flèche sur la décalcomanie de l'obturateur doit être dirigée vers le haut.
3. Insérer l'obturateur à fond jusqu'à ce que le levier de verrouillage au bas de l'obturateur clique en position et verrouille solidement l'obturateur dans le conduit d'éjection (Fig. 5). Lâcher la poignée du volet d'éjection pour verrouiller le haut de l'obturateur.
4. Pour retirer l'obturateur, déplacer la poignée du volet d'éjection vers l'arrière et soulever en même temps le levier de verrouillage au bas de l'obturateur. Lorsque l'obturateur est déverrouillé, le retirer du conduit d'éjection.

Remarque: Si l'herbe est épaisse et drue, les déchets de tonte risquent de s'accumuler sur l'obturateur et tout autour, et de rendre malaisé le retrait de l'obturateur. Bien nettoyer l'obturateur après toute utilisation de la tondeuse. Voir Nettoyage, page 24.

Usage du sac à herbe

Modèle 20475 et 20476 uniquement

A l'occasion, il peut être souhaitable d'utiliser le sac à herbe pour ensacher l'herbe haute ou très fournie et les feuilles.

1. Couper le moteur et attendre l'arrêt de toutes les pièces mobiles.
2. S'assurer que la poignée d'éjection est rabattue à fond vers l'avant, et que l'ergot est bien engagé dans l'arrêt (Fig. 12).

3. **MONTAGE DU SAC** — Insérer le trou de l'armature du sac sur le tenon du conduit d'éjection (Fig. 12) et déposer l'arrière du sac sur la barre de support.
4. Tirer la poignée du volet d'éjection vers l'avant pour dégager l'ergot de l'arrêt, puis la déplacer vers l'arrière jusqu'à ce que l'ergot s'engage dans l'encoche du sac (Fig. 13). Le volet d'éjection dans le carter de tondeuse est alors ouvert.

DANGER

DANGER POTENTIEL

- Si le volet d'éjection est ouvert, les déchets d'herbe et autres débris peuvent être projetés.

QUELS SONT LES RISQUES?

- Ces débris peuvent être projetés avec une force suffisante pour infliger des blessures graves, voire mortelles, à l'utilisateur ou aux personnes à proximité.

COMMENT SE PROTÉGER?

- Ne jamais ouvrir le volet d'éjection lorsque le moteur tourne s'il n'y a pas un sac à herbe, un éjecteur latéral (en option) ou un obturateur correctement verrouillé sur le conduit d'éjection.

DANGER

DANGER POTENTIEL

- Si le sac à herbe est usé, des petits cailloux ou des débris similaires risquent d'être projetés vers l'utilisateur ou les personnes à proximité.

QUELS SONT LES RISQUES?

- Les objets projetés peuvent occasionner des blessures graves, voire mortelles, à l'utilisateur ou aux personnes à proximité.

COMMENT SE PROTÉGER?

- Contrôler régulièrement l'état du sac à herbe. S'il est endommagé, le remplacer par un sac TORO neuf d'origine.

DANGER

DANGER POTENTIEL

- Des objets risquent d'être projetés si le volet d'éjection n'est pas complètement fermé.

QUELS SONT LES RISQUES?

- Des objets projetés peuvent occasionner des blessures graves, voire mortelles.

COMMENT SE PROTÉGER?

- Si le volet d'éjection ne peut pas être fermé du fait d'un blocage par des déchets d'herbe, couper le moteur et actionner doucement la poignée dans un sens et dans l'autre jusqu'à ce que le volet se ferme entièrement. Si cela ne suffit pas, retirer ce qui obstrue le volet à l'aide d'un bâton, pas avec la main.

5. VIDAGE DU SAC — Couper le moteur et attendre l'arrêt de toutes les pièces en mouvement. Soulever la poignée du volet d'éjection et la déplacer vers l'avant jusqu'à ce

que l'ergot s'engage dans l'arrêt (Fig. 12). Soulever le sac en le prenant par la poignée avant et par le fond. Incliner le sac progressivement vers l'avant pour le vider.

6. Pour remonter le sac, répéter les points 3 à 4.

Réglage de la hauteur de coupe

Le système exclusif SmartWheel® de Toro permet de déterminer facilement la hauteur de coupe requise.

Le SmartWheel présente deux échelles — SPARSE/NORMAL (clairsemée/normale) et LUSH (drue)— permettant d'assurer la hauteur de coupe optimale quelles que soient les conditions de tonte (Fig. 14). Utiliser l'échelle SPARSE/NORMAL pendant la chaude saison d'été pour la plupart des travaux de tonte. L'échelle LUSH est réservée à la coupe de l'herbe drue, humide et luxuriante que l'on rencontre le plus souvent au printemps.

En général :

- Il est recommandé d'utiliser les réglages C, D ou E et de ne pas laisser la hauteur d'herbe dépasser 5 à 7,5 cm (2 à 3 pouces).
- Il n'est pas conseillé d'utiliser un réglage inférieur à C, à moins que l'herbe ne soit clairsemée ou en automne lorsque la pousse commence à ralentir. Pour tondre l'herbe haute, il peut être nécessaire d'effectuer un premier passage de coupe haute à vitesse réduite, puis un second passage avec un réglage plus proche de la normale. L'herbe trop longue déposée en paquets sur la pelouse risque d'obstruer la tondeuse et de faire caler le moteur.
- Le système SmartWheel règle la coupe pour ne pas raccourcir l'herbe de plus d'un tiers de sa hauteur.

DANGER

DANGER POTENTIEL

- Les doigts risquent d'entrer en contact avec la lame en rotation lors du réglage de la hauteur de coupe.

QUELS SONT LES RISQUES?

- Le contact avec la lame en rotation peut causer des blessures graves.

COMMENT SE PROTÉGER?

- Arrêter le moteur et attendre l'arrêt complet de toutes les pièces mobiles avant de régler la hauteur de coupe.
- Ne pas mettre les doigts sous le carter de tondeuse lors du réglage de la hauteur de coupe.

1. Avant de démarrer le moteur et de commencer à tondre, pousser la tondeuse dans l'herbe jusqu'à ce que l'échelle marquée SPARSE/NORMAL et LUSH sur la roue arrière gauche soit parfaitement verticale (Fig. 14).
2. Voir jusqu'où l'herbe arrive sur l'échelle SmartWheel (Fig. 14). La couleur/la lettre correspondant au sommet de l'herbe indique le réglage de hauteur de coupe approprié.
3. Serrer le levier de hauteur de coupe contre la roue et l'amener sur la lettre/couleur appropriée du carter de la tondeuse (Fig. 15). Pour faciliter le réglage, soulever le carter de manière à ce que la roue ne touche plus le sol. **Ne jamais placer les doigts sous le carter pour soulever la tondeuse.** Vérifier que l'ergot du levier de hauteur de coupe s'engage dans l'encoche du carter. Régler toutes les roues sur la même hauteur de coupe.


Remarque: Les roues avant peuvent être réglées pour une hauteur de coupe de 1/2 pouce (1,3 cm). Amener le levier de réglage au-delà de la position "A" et laisser l'ergot du levier s'engager dans l'encoche du

carter. Il n'est pas conseillé d'utiliser régulièrement ce réglage.

Contrôle du fonctionnement de la barre de commande

Avant chaque séance d'utilisation, tester la barre de commande pour s'assurer que le système d'embrayage du frein de lame fonctionne correctement.

A: Test de fonctionnement normal de la barre de commande

1. Sans allumer le moteur, amener la tondeuse sur une surface pavée à l'abri du vent.
2. Régler sur "E" la position de hauteur de coupe des quatre roues (Fig. 15).
3. Mettre le sélecteur de vitesse de traction au point mort .
4. Froisser une demi-feuille de papier journal en une boule d'environ 7 cm de diamètre, suffisamment serrée pour passer sous le carter de tondeuse (Fig. 16).
5. Poser la boule devant la tondeuse, à une distance d'environ 12 cm (Fig. 16).
6. Démarrer le moteur.
7. Abaisser la barre de commande dans la position la plus basse (Fig. 17).
8. Relever la barre de commande en position normale "lame embrayée" (à 2 ou 3 cm du mancheron) (position A, Fig. 18). Un "bruit de ventilateur" indique que la lame de la tondeuse est en train de tourner.
9. Lâcher la barre de commande (position B, Fig. 18). On doit entendre un claquement, et la lame doit s'arrêter dans les trois secondes.
10. Pousser immédiatement la tondeuse sur la boule de papier.

11. Couper le moteur.
12. Vérifier à l'avant si la boule a bien disparu sous la tondeuse. Si ce n'est pas le cas, répéter les points 5 à 11.
13. Retirer la tondeuse pour contrôler l'état de la boule. Si celle-ci est défectueuse ou déchiquetée, la rotation de la lame ne s'est pas arrêtée à temps, ce qui présente un risque pour la sécurité de l'utilisateur. Prendre rendez-vous au plus tôt pour une révision chez un réparateur Toro agréé. Pour détecter la détérioration de l'embrayage du frein de lame, **avant** qu'elle n'affecte le fonctionnement normal, nous vous demandons d'effectuer aussi le test B de fonctionnement spécial de la barre de commande, décrit ci-dessous.

B: Test de fonctionnement spécial de la barre de commande

1. Sans allumer le moteur, amener la tondeuse sur une surface pavée à l'abri du vent.
2. Régler sur "E" la position de hauteur de coupe des quatre roues (Fig. 15).
3. Mettre le sélecteur de vitesse de traction au point mort **N**.
4. Froisser une demi-feuille de papier journal en une boule d'environ 7 cm de diamètre, suffisamment serrée pour passer sous le carter de tondeuse (Fig. 16).
5. Poser la boule devant la tondeuse, à une distance d'environ 12 cm (Fig. 16).
6. Démarrer le moteur.
7. Abaisser la barre de commande dans la position la plus basse (Fig. 19, position B).

8. Relever la barre de commande en position intermédiaire (à environ 12 cm du mancheron) (Fig. 20, position C).

Remarque: La position intermédiaire (C) n'est pas une position "naturelle" d'actionnement de la barre de commande, mais elle permet une détection précoce d'un grippage de l'embrayage du frein de lame susceptible d'affecter plus tard la sécurité du fonctionnement de la tondeuse.

9. Lâcher la barre de commande (Fig. 20, position B).

Remarque: Si l'on entend un claquement sonore, c'est qu'on a levé la barre trop haut. Répéter les points 7, 8 et 9, mais ne pas relever la barre de commande aussi haut qu'au point 8.

10. Pousser immédiatement la tondeuse sur la boule de papier.
11. Couper le moteur.
12. Vérifier à l'avant si la boule a bien disparu sous la tondeuse. Si ce n'est pas le cas, répéter les points 5-11.
13. Retirer la tondeuse pour contrôler l'état de la boule. Si celle-ci est défectueuse ou déchiquetée, c'est un signe probable d'usure ou détérioration du système, susceptible d'entraîner bientôt un risque pour la sécurité de l'utilisateur. Utiliser la tondeuse et le système d'embrayage de frein de lame avec une prudence particulière, et prendre rendez-vous au plus tôt pour une révision chez un vendeur réparateur Toro agréé. Celui-ci apportera les corrections nécessaires pour assurer le bon fonctionnement de la tondeuse.



DANGER

DANGER POTENTIEL

- Si le système d'embrayage de frein de lame ne fonctionne pas, la lame continue à tourner lorsqu'on lâche la barre de commande. L'utilisateur risque de toucher la lame.

QUELS SONT LES RISQUES?

- Le contact de la lame peut occasionner des blessures graves, voire mortelles.

COMMENT SE PROTÉGER?

- Ne jamais utiliser une tondeuse à moteur équipée d'un embrayage de frein de lame dont le système de sécurité ne fonctionne pas.
- Faire réparer la tondeuse chez un concessionnaire dès qu'un système de sécurité ne fonctionne pas correctement.

NOTE SPECIALE: Avant toute opération telle que le nettoyage de la tondeuse, commencer par couper le moteur et déconnecter le fil de la bougie. Retirer la clé de contact sur le modèle à démarreur électrique. Comme pour toutes les tondeuses, quels que soient les systèmes de sécurité et les dispositifs d'arrêt de la lame, ne jamais approcher aucune partie du corps de la lame lorsque le moteur tourne, et ne laisser approcher personne.

Pour plus de précisions ou si vous avez besoin d'aide, n'hésitez pas à nous contacter:

The Toro Company
Attn: Consumer Service Department
8111 Lyndale Avenue South
Bloomington, MN 55420-1196
(612) 887-8255

Si l'on dispose du kit d'ensachage arrière (modèle n° 59195) en option, on peut utiliser le sac à herbe pour effectuer un test supplémentaire du mécanisme d'embrayage du frein de lame.

1. Monter le sac à herbe vide sur l'ouverture de l'éjecteur.
2. Démarrer le moteur.
3. Abaisser la barre de commande dans la position la plus basse (Fig. 19).
4. Relever la barre de commande en position normale "lame embrayée", à 2 ou 3 cm du mancheron. Le sac à herbe doit commencer à se gonfler, ce qui indique que la lame est embrayée et qu'elle tourne.
5. Lâcher la barre de commande. Si le sac ne retombe pas immédiatement, c'est que la lame continue à tourner. Il se peut que le mécanisme d'embrayage du frein de lame soit grippé, ce qui présente un risque pour la sécurité de l'utilisateur. Faire réviser la tondeuse par un vendeur réparateur TORO agréé.

Entretien

Un fonctionnement fiable et en toute sécurité exige des entretiens réguliers.

Programme d'entretien recommandé

Pièce	Entretien	Après chaque utilisation	5 heures	25 heures	50 heures	100 heures
Carter de tondeuse	Nettoyer les accumulations de déchets d'herbe et de poussière.	X				
Visserie	Vérifier le serrage des boulons et écrous de la lame et du moteur fréquemment. Pour un fonctionnement en toute sécurité, tous les boulons, écrous et vis doivent toujours être bien serrés.		X			
Lubrification	Graisser les graisseurs des roues arrière.			X		
Bougie	Inspecter toutes les 25 heures et remplacer si nécessaire. Remplacer toutes les 100 heures de fonctionnement ou une fois par an.			X		
Huile moteur	Vidanger et remplir le carter d'huile fraîche après les 5 premières heures de fonctionnement, puis toutes les 50 heures. Changer l'huile toutes les 25 heures en cas d'utilisation sous forte charge ou sous des températures très élevées.				X	
Lame	Affûter ou remplacer. Entretenir plus fréquemment si la lame s'émousse rapidement du fait d'une utilisation éprouvante ou de la présence de sable.				X	
Frein de lame	Vérifier le temps d'arrêt toutes les 50 heures ou au début de la saison de tonte. Lorsqu'on lâche la barre de commande, la lame doit s'arrêter dans les 3 secondes. Dans le cas contraire, s'adresser à un concessionnaire réparateur Toro agréé pour la réparation.				X	
Système d'alimentation	Contrôler que le flexible de carburant ne fuit pas et n'est pas endommagé. Le remplacer si nécessaire.				X	

Pièce	Entretien	Après chaque utilisation				
		5 heures	25 heures	50 heures	100 heures	
Filtre à air	Nettoyer ou remplacer avant chaque saison de tonte ou toutes les 100 heures. Nettoyer plus fréquemment si la tondeuse est utilisée dans un environnement poussiéreux.					X
Système de refroidissement	Nettoyer les déchets d'herbe, débris ou saletés accumulés sur les pales du ventilateur et sur le démarreur. Nettoyer plus fréquemment si la tondeuse est utilisée dans un environnement poussiéreux ou sec.					X

PRUDENCE

DANGER POTENTIEL

- Si le fil de bougie n'est pas débranché, un démarrage du moteur peut survenir accidentellement.

QUELS SONT LES RISQUES?

- Le démarrage accidentel peut causer des blessures graves à vous ou aux personnes se tenant à proximité.

COMMENT SE PROTÉGER?

- Débrancher le fil de bougie avant de procéder à toute opération d'entretien. Ecarter suffisamment le fil pour ne pas risquer un contact fortuit avec la bougie.

Filtre à air

En conditions normales, nettoyer le filtre à air toutes les 100 heures de fonctionnement ou une fois par saison. Un nettoyage plus fréquent est nécessaire s'il y a beaucoup de poussière ou de saleté. Remplacer les pièces du filtre si elles sont très sales.

IMPORTANT: Ne pas faire tourner le moteur sans le filtre à air, sous peine de l'endommager sérieusement.

Remarque: Le filtre à air peut être endommagé si l'on retourne la tondeuse du mauvais côté pour l'entretien du dessous.

1. Couper le moteur et débrancher le fil de la bougie (Fig. 8). Sur les modèles à démarreur électrique, retirer la clé de contact.
2. Dévisser le bouton de fixation jusqu'à ce que le couvercle puisse être retiré. Nettoyer le couvercle soigneusement (Fig. 21).
3. Si l'extérieur de l'élément en mousse est sale, retirer l'élément du boîtier de filtre à air (Fig. 21), et le nettoyer soigneusement.
 - A. L'AVER l'élément de filtre dans de l'eau savonneuse tiède. Le presser pour le dégraisser, sans toutefois le tordre pour ne pas déchirer la mousse. Rincer abondamment à l'eau claire.

- B. **SÉCHER** l'élément en l'enveloppant et en le pressant dans un chiffon propre.
- C. **SATURER** l'élément avec environ 150 ml (5 onces) d'huile moteur 10W- 30. Presser l'élément pour éliminer l'excédent d'huile et répartir l'huile uniformément. L'élément doit être bien imprégné.

4. Replacer l'élément en mousse et le couvercle du filtre à air.

Vidange de l'essence

1. Couper le moteur et le laisser refroidir. Débrancher le fil de la bougie. (Fig. 8). Sur les modèles à démarreur électrique, retirer la clé de contact.

ATTENTION

DANGER POTENTIEL

- L'essence peut prendre feu si l'on en répand sur un moteur brûlant.

QUELS SONT LES RISQUES?

- L'essence en feu peut occasionner des blessures graves.

COMMENT SE PROTÉGER?

- Ne vidanger l'essence que lorsque le moteur est froid.

2. Retirer le bouchon du réservoir d'essence et transférer l'essence dans un bidon propre à l'aide d'un siphon à pompe.

Remarque: Cette méthode est la seule recommandée pour la vidange du réservoir de carburant.

Vidange de l'huile moteur

Changer l'huile après les 5 premières heures de fonctionnement, puis toutes les 50 heures ou une fois par saison. Faire la vidange d'huile lorsque le moteur est toujours chaud.

Remarque: Changer l'huile toutes les 25 heures en cas d'utilisation sous forte charge ou sous des températures très élevées.

ATTENTION

DANGER POTENTIEL

- Lorsqu'on retourne la tondeuse, l'essence risque de fuir du réservoir ou du carburateur.

QUELS SONT LES RISQUES?

- L'essence est extrêmement inflammable et hautement explosive, et peut dans certaines circonstances causer des dommages corporels ou matériels graves.

COMMENT SE PROTÉGER?

- Pour éviter les fuites, laisser le moteur consommer toute l'essence, ou vider le réservoir à l'aide d'une pompe à main. Ne jamais siphonner à la bouche.

1. Couper le moteur et débrancher le fil de la bougie (Fig. 8). Sur les modèles à démarreur électrique, retirer la clé de contact.
2. Vider le réservoir d'essence, voir Vidange du réservoir d'essence.
3. Retirer la jauge du tube de remplissage et placer un bac de vidange sur la gauche de la tondeuse.
4. Basculer la tondeuse sur le côté gauche.
5. Vidanger l'huile par le trou de remplissage de la jauge (Fig. 22). Recueillir l'huile dans un récipient approprié et s'en débarrasser correctement, selon la réglementation en vigueur.
6. Redresser la tondeuse.
7. Remplir le carter d'huile fraîche jusqu'au repère du plein (FULL) de la jauge. Utiliser l'huile spécifiée à la section Huile du chapitre Avant la mise en marche.
8. Vérifier le niveau d'huile et replacer la jauge.
9. Essuyer toute huile répandue.

Bougie


Une bougie encrassée, ébréchée, calaminée ou dont les électrodes sont usées peut occasionner des problèmes de démarrage et nuire au fonctionnement.

Déposer la bougie toutes les 25 heures de fonctionnement, et contrôler son état. Remplacer la bougie toutes les 100 heures de fonctionnement, ou au début de chaque saison. Utiliser une bougie Champion RC12YC ou équivalente.

1. Arrêter le moteur et débrancher le fil de la bougie (Fig. 8). Sur les modèles à démarreur électrique, retirer la clé de contact.
2. Retirer la bougie et la nettoyer à l'aide d'une brosse métallique pour la débarrasser des dépôts de calamine. **NE PAS DÉCAPER AU SABLE.** Contrôler si la bougie n'est pas fissurée et si les électrodes ne sont pas usées ou endommagées. Remplacer si nécessaire.
3. Régler l'écartement des électrodes à 0,76 mm (0,030 po.) (Fig. 23).
4. Monter la bougie à la main, puis la visser à 14 ft.-lbs. (19 N·m) (Fig. 23).
5. Une fois l'entretien terminé, rebrancher le fil de bougie.

Câble de commande des gaz

Un réglage de la commande des gaz peut être nécessaire si le moteur ne démarre ou ne s'arrête pas. La commande des gaz doit être réglée chaque fois qu'on remplace le câble.

1. Arrêter le moteur et débrancher le fil de la bougie (Fig. 8). Sur les modèles à démarreur électrique, retirer la clé de contact.
2. Pousser la commande des gaz jusqu'à la position  (RAPIDE)
3. Desserrer la vis du serre-câble jusqu'à ce que le câble glisse librement (Fig. 24).

4. Déplacer le câble vers la gauche ou vers la droite pour aligner les trous du levier et du support de la commande des gaz (Fig. 24).
5. Serrer la vis du serre-câble pour bloquer le réglage.

Câble de commande d'autotraction

Si la tondeuse ne s'autotractionne pas, ou si elle a tendance à avancer doucement alors que la traction n'est pas engagée, ajuster le bouton de réglage de traction situé à l'arrière de la boîte de vitesse (Fig. 25).

1. Arrêter le moteur et débrancher le fil de la bougie (Fig. 8). Sur les modèles à démarreur électrique, retirer la clé de contact.
2. Si le système de traction ne fonctionne pas, tourner le bouton de réglage de 1/2 tour vers la droite. Si la tondeuse a tendance à avancer lorsque la traction n'est pas engagée, tourner le bouton de 1/2 tour vers la gauche pour détendre la courroie.
3. Tirer lentement la tondeuse en arrière en rapprochant la barre de commande progressivement du mancheron. Le réglage est correct si:
 - la tondeuse n'avance pas lorsque la traction est débrayée.
 - la barre de commande est à une distance du mancheron confortable pour la main de l'utilisateur au point d'embrayage/débrayage de la traction.

Remarque: Ne pas trop tendre le câble. La tension du câble doit être juste suffisante pour que les roues se mettent à tourner lorsque la barre de commande est éloignée du mancheron d'une distance confortable pour la main de l'utilisateur. Un serrage excessif peut exiger un effort trop important de l'utilisateur pour embrayer ou débrayer la traction.

En cas de problème, s'adresser à un vendeur réparateur Toro agréé.

Lame

Pour de bons résultats, la lame doit être droite et tranchante. Inspecter et affûter la lame régulièrement.

ATTENTION

DANGER POTENTIEL

- La lame est tranchante.

QUELS SONT LES RISQUES?

- Le contact avec la lame peut causer des blessures graves.

COMMENT SE PROTÉGER?

- Porter des gants ou envelopper la lame d'un chiffon.

1. Arrêter le moteur et débrancher le fil de la bougie (Fig. 8). Sur les modèles à démarreur électrique, retirer la clé de contact.
2. Vider le réservoir d'essence, voir Vidange du réservoir d'essence.
3. Basculer la tondeuse sur le côté gauche (Fig. 26). Éviter de faire tourner la lame, pour ne pas provoquer des problèmes de démarrage.
4. **INSPECTION DE LA LAME**—Vérifier soigneusement l'affûtage et l'usure de la lame, surtout au point de rencontre des parties planes et incurvées (Fig. 27A). Le sable et les matières abrasives peuvent éroder le métal entre les parties planes et incurvées de la lame, il est donc important de contrôler l'état de la lame avant d'utiliser la tondeuse. Remplacer la lame si elle est usée ou entaillée (Fig. 27B & C). Voir le point 5.
5. **DÉPOSE DE LA LAME**—Tenir la lame à son extrémité avec un chiffon ou un gant épais. Retirer les 2 écrous de lame, la coupelle de protection, l'accélérateur et la lame (Fig. 26).

ATTENTION

DANGER POTENTIEL

- Une lame usée ou endommagée risque de se rompre en projetant le morceau cassé vers l'opérateur ou les personnes à proximité.

QUELS SONT LES RISQUES?

- Un morceau de lame projeté avec force peut infliger des blessures graves, voire mortelles, à l'utilisateur ou aux personnes à proximité.

COMMENT SE PROTÉGER?

- Vérifier régulièrement si la lame n'est pas usée ou endommagée.
- Remplacer la lame si elle est usée ou endommagée.

Remarque: Pour un meilleur résultat, monter une nouvelle lame au début de la saison de tonte. En cours de saison, limer les petites ébréchures pour conserver une arête de coupe tranchante.

6. **AIGUISAGE DE LA LAME**—Au moyen d'une lime, aiguiser le bord supérieur de la lame (face tournée vers le carter de tondeuse) en veillant à conserver l'angle de coupe original (Fig.28). Limer la même quantité de métal sur chaque arête de coupe pour conserver l'équilibre de la lame.

IMPORTANT: Vérifier l'équilibre de la lame en la plaçant sur un équilibreur (un dispositif peu coûteux vendu en quincaillerie). Une lame équilibrée reste horizontale, une lame déséquilibrée penche du côté le plus lourd. Si la lame n'est pas équilibrée, limer davantage le tranchant du côté le plus lourd.

7. Remonter la lame affûtée et équilibrée, l'accélérateur, la coupelle de protection et les 2 écrous de lame. La pale de la lame doit être dirigée vers le haut du carter de la tondeuse. Serrer le boulon de lame à 15-27 ft-lb (20-37 N-m).

ATTENTION

DANGER POTENTIEL

- Lors de toute utilisation de la tondeuse, l'accélérateur de lame doit être en place, sans quoi la lame risque de plier, fléchir ou casser.

QUELS SONT LES RISQUES?

- Une lame cassée peut infliger des blessures graves, voire mortelles, à l'utilisateur ou aux personnes à proximité.

COMMENT SE PROTÉGER?

- Ne jamais utiliser une tondeuse sans l'accélérateur de lame.

Lubrification

Les roues avant et arrière doivent être lubrifiées toutes les 25 heures de fonctionnement, et à la fin de la saison.

1. Appliquer 2 ou 3 gouttes d'huile légère sur l'intérieur et l'extérieur de tous les boulons des roues. Faire tourner les roues pour bien répartir l'huile dans les coussinets. Essuyer l'excès d'huile.
2. Placer les leviers de réglage de hauteur de coupe des roues arrière en position "C". Essuyer les graisseurs à l'aide d'un chiffon propre. Appliquer un pistolet graisseur rempli de graisse multi-usage au lithium No. 2 sur le graisseur et pomper doucement 2 ou 3 fois (Fig. 29). Une pression excessive risque d'endommager les joints et d'empêcher l'embrayage de roue libre de fonctionner correctement.

Frein de lame

Un réglage est nécessaire chaque fois qu'on remplace l'ensemble de câble de frein.

1. Arrêter le moteur et débrancher le fil de la bougie (Fig. 8). Sur les modèles à démarreur électrique, retirer la clé de contact.
2. Desserrer la vis de serrage du câble jusqu'à ce que la gaine du câble puisse coulisser (Fig. 30). Tirer sur le câble pour le tendre, mais sans tendre le ressort. Resserrer la vis pour fixer le réglage.

Charge de la batterie

(Modèle à démarreur électrique uniquement)

Bien qu'une batterie neuve ne soit pas complètement chargée, une charge partielle de 4 heures fournit suffisamment d'énergie pour plusieurs démarrages. Toutefois, pour être en pleine charge, une batterie neuve doit être chargée pendant 72 heures. La tondeuse doit également être chargée lors du remisage, et au printemps. En conditions normales d'utilisation, la charge de la batterie est assurée par l'alternateur du moteur.

1. Arrêter le moteur et débrancher le faisceau de câbles de la batterie (Fig. 6).
2. Au besoin, la batterie peut être retirée en la faisant glisser hors des languettes de fixation. Ceci n'est toutefois pas nécessaire si la tondeuse peut être amenée à proximité d'une prise de courant.
3. Connecter le chargeur TORO à la batterie, et le brancher dans une prise de 120V AC. Après avoir chargé la batterie pendant la durée spécifiée, débrancher le chargeur et le déconnecter de la batterie.
4. Reconnecter le faisceau de câbles à la batterie.

IMPORTANT: Seul le chargeur électrique TORO est recommandé, l'utilisation d'un autre appareil risque d'endommager la batterie. Toujours utiliser le chargeur à l'intérieur, si possible à température ambiante (+21° C). Ne pas charger la batterie pendant plus de 72 heures afin d'éviter de l'endommager.

Mise au rebut de la batterie

(Modèle à démarreur électrique uniquement)

NE PAS JETER LES BATTERIES USAGÉES A LA POUCELLE!

LA BATTERIE AU PLOMB DOIT ÊTRE RECUPERÉE, RECYCLÉE OU MISE AU REBUT SANS DANGER POUR L'ENVIRONNEMENT.

L'incinération des batteries au plomb, leur dépôt dans une décharge ou leur enlèvement avec les ordures ménagères sont INTERDITS PAR LA LOI dans la plupart des pays.

Déposer la batterie dans un point de collecte agréé pour les batteries au plomb, par exemple à l'endroit de l'achat de la batterie.

Pour plus de précisions sur la mise au rebut, la collecte et le recyclage de la batterie, s'adresser aux services municipaux responsables des déchets et de l'environnement.

Nettoyage

**Obturbateur
(Modèle 20475 et 20476 uniquement)**

Pour une performance optimale, l'obturbateur d'éjection doit être nettoyé après chaque utilisation. Si l'herbe est drue et fournie, les déchets de tonte risquent de s'accumuler sur l'obturbateur et tout autour, ce qui peut rendre le retrait de l'obturbateur difficile. Après chaque utilisation, retirer l'obturbateur du conduit d'éjection et le débarrasser de tous les débris.

**Conduit d'éjection
(Modèle 20475 et 20476 uniquement)**

Toujours s'assurer que le volet d'éjection se referme entièrement lorsqu'on lâche la poignée. Si des débris empêchent la fermeture complète du volet d'éjection, bien nettoyer l'intérieur du conduit d'éjection et du volet.



ATTENTION

DANGER POTENTIEL

- Des déchets de tonte et d'autres objets risquent d'être projetés par le conduit d'éjection s'il n'est pas obturé.

QUELS SONT LES RISQUES?

- Des objets projetés peuvent occasionner des blessures graves, voire mortelles, à l'utilisateur ou aux personnes à proximité.

COMMENT SE PROTÉGER?

- Ne jamais mettre le moteur en marche ou utiliser la tondeuse sans qu'une des conditions suivantes ne soit remplie:

1. Obturbateur verrouillé en position dans le conduit d'éjection.
2. Sac à herbe verrouillé en position.
3. Ejecteur latéral en option verrouillé en position.
4. Volet du conduit d'éjection verrouillé en position fermée.

Dessous de la tondeuse

Pour une performance optimale, le dessous de la tondeuse doit rester propre. Veiller particulièrement à débarrasser les déflecteurs de tout débris (Fig. 31).

Nettoyage au jet d'eau

Quand le dessous de la tondeuse a besoin d'un nettoyage, le nettoyer à l'eau de la manière suivante:

1. Placer la tondeuse sur une surface horizontale de béton ou d'asphalte, près d'un tuyau d'arrosage.
2. Démarrer le moteur.
3. Engager la rotation de la lame.
4. Tenir le tuyau d'arrosage à la hauteur du mancheron et diriger le jet vers le sol, juste devant la roue arrière droite (Fig. 32). La rotation de la lame aspire l'eau sous la tondeuse et rince les déchets. Laisser couler l'eau quelques minutes, ou jusqu'à ce que l'eau qui s'écoule de la tondeuse ne contienne plus d'herbe.

5. Débrayer la lame
6. Arrêter le moteur:
7. Arrêter le jet d'eau.
8. Redémarrer le moteur et le laisser tourner quelques minutes pour faire sécher la tondeuse et ses composants. Pendant que le moteur tourne, engager et déengager plusieurs fois l'entraînement de traction pour les sécher.

Raclage

Si le lavage au jet d'eau ne parvient pas à débarrasser le dessous de la tondeuse de tous les débris, renverser la tondeuse et la nettoyer en la raclant.

1. Arrêter le moteur et débrancher le fil de la bougie (Fig. 8). Sur les modèles à démarreur électrique, retirer la clé de contact.
2. Vider le réservoir d'essence, voir Vidange du réservoir d'essence.
3. Basculer la tondeuse sur le côté gauche (Fig. 26).
4. Eliminer la saleté et les débris d'herbe collés au carter de la tondeuse à l'aide d'un racloir en bois. Eviter les bavures et les bords tranchants.
5. Redresser la tondeuse.
6. Refaire le plein de carburant.
7. Reconnecter le fil d'allumage à la bougie.

Carter de courroie

La zone sous le carter de courroie doit rester propre.

1. Arrêter le moteur et débrancher le fil de la bougie (Fig. 8). Sur les modèles à démarreur électrique, retirer la clé de contact.
2. Le moteur étant coupé, retirer les vis de fixation du carter de courroie (Fig. 33) au carter de tondeuse.

3. Déposer le carter de courroie et brosser tous les débris accumulés dans la zone de la courroie.
4. Remonter le carter de courroie.

Nettoyage du bouclier de l'embrayage du frein de lame

Le bouclier de l'embrayage du frein de lame doit être nettoyé régulièrement au cours de la saison de tonte et à la fin de la saison pour garantir un bon fonctionnement et éviter la détérioration de pièces.



1. Arrêter le moteur et débrancher le fil de la bougie (Fig. 8). Sur les modèles à démarreur électrique, retirer la clé de contact.
2. Vider le réservoir d'essence, voir Vidange du réservoir d'essence.
3. Basculer la tondeuse sur le côté gauche (Fig. 26).
4. Retirer les 2 écrous de lame, la coupelle de protection, l'accélérateur, la lame, la pièce d'écartement de la lame et les 3 boulons de fixation du bouclier d'embrayage de frein de lame au carter de tondeuse, avec leur rondelle (Fig. 26).
5. Brosser ou chasser à l'air comprimé les débris se trouvant sous le bouclier.
6. Remonter le bouclier d'embrayage de frein de lame avec ses 3 boulons et leur rondelle, la pièce d'écartement de la lame, la lame, l'accélérateur de lame, la coupelle de protection et les 2 boulons de lame.
7. Reconnecter le fil d'allumage à la bougie.

Réglage du carburateur

Le carburateur est de type anti-pollution. Il présente un pointeau de richesse de ralenti pourvu d'un limiteur (Fig. 34), autorisant un certain réglage, et une vis de réglage du régime de ralenti.

Réglage

NE PAS TOUCHER À LA VIS DE RÉGIME MAXIMUM. Cette vis est pré-réglée à l'usine.

1. Lancer le moteur et le laisser chauffer environ 5 minutes avant d'entamer le réglage.
2. Alors que le moteur tourne, mettre la manette des gaz en position  LENT.
3. Tourner le levier d'accélérateur du carburateur contre la vis de régime de ralenti, et le maintenir en position.
4. Visser ou dévisser la vis de régime de ralenti pour obtenir un régime de 1750 tr/min.
5. Tourner le pointeau de richesse de ralenti à fond vers la droite, puis vers la gauche.
6. Régler ensuite le pointeau de richesse de ralenti à mi-chemin entre ces deux positions extrêmes.
7. Contrôler de nouveau le régime de ralenti et corriger si nécessaire à l'aide de la vis pour obtenir toujours 1750 tr/min.
8. Mettre la manette des gaz en position  RAPIDE. Le moteur doit accélérer en douceur. Si ce n'est pas le cas, tourner le pointeau de richesse de ralenti de 1/8 de tour vers la gauche.

Remisage

Pour préparer la tondeuse au remisage saisonnier, suivre les procédures d'entretien recommandées. Voir section Entretien.

Ranger la tondeuse dans un endroit propre et sec, et la couvrir pour la protéger.

Carburant

ATTENTION

DANGER POTENTIEL

- L'essence peut s'évaporer si on la conserve trop longtemps.

QUELS SONT LES RISQUES?

- Les vapeurs de carburant risquent d'exploser si elles rencontrent une flamme nue.

COMMENT SE PROTÉGER?

- Ne pas conserver l'essence (le carburant) trop longtemps.
- Ne pas entreposer la tondeuse avec du carburant dans le réservoir dans un local clos où se trouve une flamme nue (telle que la veilleuse d'un chauffe-eau ou d'une chaudière, par exemple).
- Laisser le moteur refroidir avant de rentrer la tondeuse dans un endroit clos.

Pour le remisage de longue durée, soit vidanger le réservoir de carburant, soit utiliser un additif stabilisateur d'essence. Pour la vidange du réservoir, voir la section Vidange du carburant. Une fois l'essence vidangée, démarrer le moteur et le laisser tourner jusqu'à ce qu'il s'arrête, faute de carburant. Répéter la procédure de démarrage à deux reprises afin de s'assurer qu'il ne reste plus d'essence dans le moteur. S'il reste de l'essence, des dépôts de vernis gommeux risquent de se former et d'affecter les performances du moteur ou même d'entraîner des problèmes de démarrage.

Remarque: Si l'on utilise de l'essence oxygénée ou reformulée (c'est-à-dire mêlée d'alcool ou d'éther), vider entièrement le réservoir de carburant, puis laisser le moteur tourner jusqu'à ce qu'il s'arrête faute de carburant avant de remisage la machine.

Le carburant ne peut être laissé dans le réservoir que si on y ajoute un additif tel que le stabilisateur/conditionneur Toro avant le remisage. Le

stabilisateur/conditionneur Toro est un produit à base de distillat de pétrole. Toro déconseille l'utilisation de stabilisateurs à base d'alcools tels que l'éthanol, le méthanol ou l'alcool isopropylique. Utiliser la quantité de stabilisateur recommandée sur le récipient du produit.

Moteur

1. Vidanger l'huile du carter lorsque le moteur est encore chaud. Voir la section Vidange d'huile du chapitre Entretien.
2. Retirer la bougie. Au moyen d'une burette, injecter environ une cuiller à soupe d'huile dans l'ouverture laissée par la bougie.
3. A l'aide de la corde du lanceur, imprimer lentement plusieurs tours au moteur pour répartir l'huile.
4. Remonter la bougie, mais NE PAS reconnecter le fil de bougie.

Nettoyage

1. Nettoyer la tondeuse. Voir chapitre Entretien, section Nettoyage.
2. Retirer la saleté et la paille du cylindre, des ailettes de refroidissement et du boîtier du ventilateur. Nettoyer aussi les débris d'herbe, la saleté et la crasse des surfaces externes du moteur, du capot et du dessus du carter de la tondeuse.
3. Nettoyer le filtre à air. Voir chapitre Entretien, section Filtre à air.

Divers

1. Contrôler l'état de la lame. Voir chapitre Entretien, section Lame.
2. Serrer tous les écrous, boulons et vis.

3. Lubrifier les roues. Voir chapitre Entretien, section Lubrification.
4. Charger la batterie. Voir chapitre Entretien, section Charge de la batterie.
5. Retoucher toutes les surfaces rouillées ou éraflées.

Après le remisage

1. Contrôler et resserrer tous les écrous, boulons et vis.
2. Déposer la bougie et faire tourner rapidement le moteur au moyen du lanceur pour évacuer l'excès d'huile du cylindre. Nettoyer la bougie ou la remplacer si elle est endommagée ou si les électrodes sont usées.
3. Monter la bougie et la visser à 14 ft.-lbs. (19 N·m).
4. Suivre les procédures d'entretien recommandées. Voir section Entretien.
5. Remplir le réservoir de carburant avec de l'essence propre et fraîche.
6. Contrôler le niveau d'huile du moteur.
7. Reconnecter le fil d'allumage à la bougie.

Accessoires

Pour des conditions d'application particulières, les accessoires ci-dessous sont en vente chez les concessionnaires Toro agréés.

1. **Kit de sac à herbe arrière, modèle n° 59192 pour tondeuse non autotractée, modèle n° 59195 pour tondeuse autotractée** – Kit de montage de conduit d'éjection et de sac à herbe arrière pour la conversion de la tondeuse Recycler® en tondeuse à ensachage arrière (Fig. 35). Comprend un obturateur d'éjection.
2. **Kit d'éjecteur latéral, modèle n° 59197** — Se monte en quelques secondes sur l'arrière de la tondeuse, à la place du sac à herbe. Disperse les déchets d'un côté ou de l'autre lors de la tonte des bordures (Fig. 36).

3. Pare-étincelles, réf. n° 81-0200 — Si la réglementation locale ou nationale requiert l'usage d'un pare-étincelles, celui-ci peut être acheté chez un concessionnaire Toro agréé. Nettoyer l'écran toutes les 75 heures de fonctionnement. En Californie, l'utilisation d'un

appareil non équipé d'un pare-étincelles en état de marche sur tout terrain forestier, broussailleux ou herbeux constitue une infraction à la section 4442 du Code des Ressources Publiques de l'Etat.

Déclaration de garantie anti-pollution pour la Californie

Garantie limitée de deux ans

Droits et obligations en matière de garantie

Le California Air Resources Board et Toro ont le plaisir de vous présenter la garantie du système anti-pollution du moteur de votre machine ou appareil de jardin 1995. En Californie, les nouveaux appareils et machines de jardin doivent être conçus, fabriqués et équipés dans le respect des normes anti-brumée (anti-smog) très strictes imposées par l'Etat. Toro s'engage à garantir le système anti-pollution du moteur de votre machine ou appareil durant la période spécifiée ci-dessous, pour autant qu'il n'ait pas été victime d'usage abusif, de négligence ou de défaut d'entretien.

Le "système anti-pollution" peut inclure des pièces telles que le carburateur, le système d'allumage, les flexibles, raccords et d'autres pièces impliquées dans le contrôle de la pollution.

Si les conditions de la garantie sont remplies, Toro s'engage à réparer le moteur de votre appareil ou machine de jardin à ses frais, notamment en ce qui concerne le diagnostic, les pièces et la main d'oeuvre.

Couverture de garantie du fabricant:

Le moteur des machines et appareils de jardin 1995 et ultérieurs vendus en Californie est garanti durant une période de deux ans à dater de la livraison. Durant cette période, Toro s'engage à réparer ou remplacer toute pièce du moteur impliquée dans le contrôle de la pollution et présentant un défaut de fabrication.

Obligations de garantie pour le propriétaire:

- Le propriétaire du moteur doit veiller à l'entretien du moteur selon le programme indiqué dans le mode d'emploi. Toro vous conseille de conserver soigneusement toutes vos factures concernant l'entretien, mais Toro ne peut pas rejeter une demande d'intervention de la garantie pour la seule raison de l'absence de pièces justificatives ou de la non-exécution de toutes les opérations d'entretien recommandées.
- Le propriétaire du moteur doit savoir cependant que Toro peut rejeter les demandes de garantie si la défaillance du moteur ou des pièces est due à un usage abusif, à la négligence, au défaut d'entretien, à l'apport de modifications ou à l'usage de pièces non agréées.
- Le moteur de l'appareil doit être présenté chez un réparateur agréé Toro dès l'apparition d'un problème. Les réparations sous garanties doivent être effectuées dans un délai raisonnable, n'excédant pas 30 jours.
- Pour toute question relative à vos droits et devoirs en matière de garantie, ou pour connaître les coordonnées d'un réparateur agréé TORO, n'hésitez pas à nous contacter à l'adresse suivante:

Toro Customer Service Department
8111 Lyndale Avenue South
Bloomington, MN 55420-1196
612-888-8801
800-348-2424

Pièces garanties:

La période de garantie débute le jour où l'acheteur au détail prend livraison du moteur ou de l'équipement. Le fabricant assure au premier propriétaire et à tous les propriétaires suivants la garantie du moteur contre tout défaut de fabrication entraînant la défaillance d'une pièce garantie, durant une période de deux ans. Les défaillances résultant d'un usage abusif, de négligences ou d'un défaut d'entretien ne sont pas couvertes par la garantie. L'usage de pièces modifiées ou l'addition de pièces supplémentaires peuvent motiver un refus de garantie. Le fabricant n'est pas tenu de couvrir la défaillance de pièces garanties causée par l'usage de pièces modifiées ou par l'addition de pièces supplémentaires. Le propriétaire doit veiller à suivre le programme d'entretien recommandé par le fabricant tel qu'il est mis par écrit dans le mode d'emploi.

Toute pièce garantie dont le remplacement n'est pas prévu dans le cadre de la maintenance ordinaire, ou qui ne requiert qu'une inspection régulière en vue de "réparer ou remplacer si nécessaire", est couverte durant toute la durée de la garantie. Toute pièce garantie dont le remplacement est prévu dans le cadre de la maintenance ordinaire est couverte jusqu'au moment recommandé pour son premier remplacement. Des pièces de rechange offrant des performances et une endurance équivalente peuvent être utilisées pour l'entretien ou les réparations non couverts par la garantie sans réduire les obligations de garantie du fabricant. La garantie ne couvre que les pièces énumérées ci-dessous (éléments du système anti-pollution), dans la mesure où le moteur était équipé de ces pièces au moment de l'achat.

- Système de dosage du carburant
 - Système d'enrichissement pour démarrage à froid, comprenant un mécanisme de starter ou un système d'amorçage.
 - Pompe d'alimentation
 - Système de contrôle rétroactif du rapport air/carburant
 - Carburateur et pièces internes

- Système d'admission d'air
 - Filtre à air
 - Système d'admission à lame souple
 - Collecteur d'admission
 - Système d'admission contrôlée d'air chaud

- Système d'allumage
 - Bougie(s)
 - Bobines d'allumage et électronique
 - Mécanisme d'avance/retard

- Système de catalyseur/réacteur thermique
 - Catalyseur
 - Réacteur thermique
 - Collecteur d'échappement

- Système d'injection d'air
 - Système d'injection d'air ou soupape pulsée
 - Vannes affectant la distribution d'air

- Système de Recyclage des Gaz d'Echappement (EGR)
 - Corps de vanne EGR et tuyauterie de connexion au côté d'admission du moteur
 - Système de contrôle EGR

- Contrôle des particules
 - Pièges, filtres, précipitateurs et autres systèmes de capture des particules émises

- Pièces diverses utilisées dans les systèmes ci-dessus
 - Contacts et soupapes sensibles à la dépression, à la température et au temps.
 - Commandes électroniques
 - Flexibles, raccords et assemblages

Comment faire intervenir la garantie:

Si vous pensez que votre produit TORO requiert une intervention sous garantie, contactez le vendeur chez qui vous avez acheté votre produit, ou tout autre réparateur agréé TORO (voir la liste dans les pages jaunes de l'annuaire téléphonique). Le concessionnaire prendra en charge votre produit, ou vous recommandera un autre réparateur agréé plus proche de chez vous. Une preuve d'achat (copie de la carte d'enregistrement, facture, etc.) peut être nécessaire pour contrôler la validité de la garantie. L'examen de diagnostic permettant d'établir la défaillance d'une pièce garantie est gratuit pour le propriétaire s'il est effectué chez un réparateur agréé pour le service de garantie.

La société Toro décline toute responsabilité en cas de dommages secondaires ou indirects liés à l'utilisation des produits TORO couverts par cette garantie, à l'exception des dommages à d'autres composants du moteur causés par la défaillance d'une pièce garantie encore sous garantie. L'exclusion de la garantie des dommages secondaires ou indirects n'est pas autorisée dans certains pays, et peut donc ne pas s'appliquer dans votre cas.

La présente garantie vous accorde des droits juridiques spécifiques, ainsi que d'autres droits éventuels susceptibles de varier d'un pays à l'autre.

La politique de Toro est de concevoir et de fabriquer des produits de haute qualité. Pour assurer la satisfaction de ses clients, Toro offre une garantie extensive pour tous ses produits. Votre machine TORO à moteur GTS est livrée avec deux déclarations de garantie. La Garantie Toro Couverture Totale est notre garantie standard, imprimée sur la dernière page de ce manual.

Outre cette Garantie Toro Couverture Totale, nous avons une telle confiance dans le niveau de performance et la durabilité du moteur TORO GTS que nous offrons une *Garantie de démarrage!* Voir ci-dessous pour les détails concernant cette garantie supplémentaire.

LA GARANTIE DEMARRAGE DE TORO

Garantie limitée de cinq ans sur le moteur Toro GTS 150 OHV

Ce qui est couvert

The Toro Company garantit, pour une période de cinq ans à compter de la date d'achat et sous réserve qu'il soit soumis aux entretiens de routine requis, que votre moteur TORO GTS 150 démarrera à la première ou seconde tentative, ou que nous le réparerons. Les coûts des pièces et main-d'oeuvre sont inclus. Toutefois, les frais de transport servent à votre charge. Cette garantie couvre tous les moteurs TORO GTS 150 vendus après le 1er septembre 1991.

Ce que vous devez faire pour que la garantie reste valide

Votre moteur TORO GTS 150 doit être entretenu conformément au programme d'entretien détaillé du manuel de l'utilisateur, à vos propres frais. Vous devrez noter toutes les opérations d'entretien sur le carnet de maintenance fourni et conserver votre preuve d'achat. Votre moteur devra également être confié à un réparateur TORO agréé pour la révision annuelle.

Comment obtenir le service?

Si les qualités de démarrage de votre moteur TORO GTS 150 diminuent au point qu'il ne démarre plus après une ou deux tentatives de lancement par un adulte en bonne forme physique, prenez les mesures suivantes:

1. Contactez un réparateur TORO agréé ou votre distributeur TORO.
2. Celui-ci vous demandera soit de lui retourner le produit, soit, si cela est plus comode, vous référera à un autre centre de dépannage TORO.
3. Emmenez le produit, accompagné de votre carnet de maintenance et preuve d'achat, chez le réparateur.

Si, pour une raison quelconque, vous n'êtes pas satisfait du diagnostic du réparateur quant au démarrage de votre moteur ou du service fourni, contactez votre distributeur TORO.

TORO Customer Service Department
8111 Lyndale Avenue South
Minneapolis, Minnesota 55420

Ce qui n'est pas couvert par la garantie

Cette garantie ne couvre pas:

1. Les réparations sur des articles utilisés à des fins commerciales.
2. Les opérations normales d'entretien telles que le remplacement des bougies, du filtre à air et les réglages du carburateur.
3. Les vidanges d'huile et les graissages.
4. Les réparations ou réglages dus:
 - a. au non respect des directives pour les opérations d'entretien;
 - b. à des dommages survenus parce que la lame a heurté un objet;
 - c. à la présence de contaminants dans le système de carburation;
 - d. à l'usage d'un carburant ou d'un mélange inadéquat (en cas de doute, consultez le manuel de l'utilisateur);
 - e. au manquement à se conformer aux procédures d'entreposage contenues dans le manuel de l'opérateur;
 - f. à un usage abusif, à la négligence ou à un accident;
 - g. à des réparations ou des tentatives de réparation par toute autre personne qu'un réparateur TORO agréé.
5. A des conditions d'utilisation particulières où le démarrage nécessite plus d'une ou deux tentatives de lancement:
 - a. les quelques premiers démarrages après une longue période de non utilisation ou d'entreposage saisonnier;
 - b. le démarrage par temps froid, par exemple au début du printemps ou à la fin de l'automne peut requérir plus d'une ou deux tentatives de lancement (modèles rotatifs seulement);
 - c. une procédure de démarrage inadéquate. Si vous avez des difficultés à faire démarrer votre moteur, assurez-vous que vous procédez bien conformément aux instructions du manuel de l'utilisateur, ce qui peut vous épargner une visite à votre concessionnaire.

Toutes les réparations sous garantie remboursables aux termes de cette police doivent être effectuées par un réparateur TORO agréé utilisant des pièces TORO d'origine.

Les services fournis par un réparateur TORO agréé décrits ci-dessus constituent le seul recours de l'acheteur.

Comment La Loi D'État S'applique À Cette Garantie

Il n'existe aucune garantie expresse à l'exception de la Garantie Toro Couverture Totale. Toutes les garanties implicites de valeur marchande (aptitude du produit pour un usage normal) et d'aptitude à l'usage (aptitude du produit à un usage donné) sont limitées à la durée de la garantie expresse.

Certains États ne permettent pas de limite des garanties implicites, par conséquent la clause ci-dessus peut ne pas s'appliquer à votre cas.

La société Toro décline toute responsabilité pour des dommages directs ou indirects résultant de l'usage du produit, y compris les coûts ou frais occasionnés par l'utilisation d'un équipement de remplacer pendant les périodes de dysfonctionnement ou de non utilisation.

Certains États ne permettent pas de limite des garanties implicites, par conséquent la clause ci-dessus peut ne pas s'appliquer à votre cas.

Cette garantie vous donne des droits légaux spécifiques. Vous pouvez également bénéficier de certains autres droits, lesquels varient d'un État à l'autre.



Tondeuses
guidées

LA GARANTIE DE PERFORMANCE TORO

Garantie Total
(Garantie limitée pour usage commercial)

Que couvre cette garantie express?

The Toro Company s'engage à réparer tout produit TORO utilisé à des fins résidentielles normales* en cas de défauts de matériaux ou de fabrication ou de panne totale en raison d'une pièce défectueuse. Les durées de garantie suivantes entrent en vigueur à partir de la date d'achat.

- Tondeuses guidées garantie totale de 5 ans Super Recycler®
- Toutes les autres tondeuses ... garantie totale de 2 ans

Le coût des pièces et de la main-d'œuvre est compris, mais les frais de port sont à la charge du client.

Quels produits sont couverts par cette garantie?

Cette garantie couvre toutes les tondeuses guidées à essence à usage à des fins résidentielles. Les produits pilotés et les tondeuses guidées pour grandes superficies sont couvertes par des garanties différentes.

Utilisation commerciale

Les produits TORO utilisés à des fins commerciales, institutionnelles ou de location sont garantis contre les défauts de matériaux ou de fabrication. La garantie ne couvre pas les dommages dus à une usure normale des pièces. The following time periods apply from the date of purchase:

- | Produit | Durée de la garantie |
|---------------------------------|---|
| • Tondeuses guidées | Garantie limitée de 1 an 54 cm à usage commercial |
| • Toutes les autres tondeuses . | Garantie limitée de 45 jours |

Comment obtenir le service garantie?

En cas de besoins de réparation sous garantie de votre produit TORO, contactez votre concessionnaire TORO agréé ou le centre de réparations TORO. La liste des concessionnaires et revendeurs se trouve dans les pages jaunes de l'annuaire. Le revendeur effectuera les réparations nécessaires sur place ou recommandera un autre concessionnaire agréé plus approprié. Une preuve d'achat peut vous être demandée (copie de l'immatriculation, reçu, etc.) pour valider la garantie.

Si, pour quelque raison que ce soit, vous n'êtes pas satisfait de l'analyse du concessionnaire concernant le défaut matériel ou de fabrication, ou si vous désirez l'adresse d'un Concessionnaire Toro, n'hésitez pas à nous contacter à l'adresse suivante:

Toro Customer Service Department
8111 Lyndale Avenue South
Bloomington, MN 55420-1196
612-888-8801
800-348-2424

Que devez-vous faire pour que la garantie soit toujours valable?

Respectez les procédures d'entretien de votre produit TORO décrites dans la notice d'utilisation. L'entretien courant du produit est à vos frais, qu'il soit effectué par le concessionnaire ou par vous-même.

Ce qui n'est pas couvert par la garantie et la garantie par rapport à la législation de votre pays

Il n'existe aucune garantie autre que la garantie de démarrage TORO pour les moteurs GTS. Cette garantie expresse ne couvre pas:

- Les frais d'entretien réguliers ou de pièces, comme les filtres, le carburant, les lubrifiants, les changements d'huile, les bougies d'allumage, l'affûtage des lames, les lames usées, les réglages de câbles/timonerie ou les réglages des freins et de l'embrayage.
- Toute modification ou tout emploi abusif des produits ou pièces, tout remplacement ou toute réparation nécessaire pour cause d'accident ou de mauvais entretien.
- Toute réparation nécessaire consécutive à l'emploi d'un carburant inadéquat ou à la présence de contaminants dans le système de carburant, ou à une préparation inadéquate du système de carburant avant toute période de plus de trois mois durant laquelle le produit ne sera pas utilisé.
- Les frais de prise en charge et de livraison.

Toutes les réparations couvertes par cette garantie doivent être effectuées par un concessionnaire agréé TORO et seulement avec des pièces d'origine TORO.

Les termes de cette garantie impliquent la seule utilisation des services d'un concessionnaire agréé TORO.

La société TORO n'est responsable d'aucun dégât indirect, fortuit ou consécutif lié à l'utilisation des produits TORO couverts par cette garantie, y compris les frais encourus par le remplacement de l'équipement ou par des prestations de service pendant des durées acceptables de mauvais fonctionnement ou de non utilisation pendant la durée des réparations selon les termes de la garantie. Certains états interdisent toute clause d'exclusion relative aux dégâts fortuits ou consécutifs et dans ce cas, les exclusions précédentes ne vous concernent pas.

Cette garantie présente vos droits spécifiques, mais vous bénéficiez peut-être d'autres droits qui varient selon les états.

* Par utilisation à des fins résidentielles normales, il faut comprendre la tonte des gazons situés sur le terrain de votre domicile. L'utilisation du produit dans tout autre lieu est considéré comme usage commercial qui n'est pas couvert par la garantie.

PAYS AUTRES QUE LES ÉTATS-UNIS ET LE CANADA

Les clients ayant acheté des produits Lawn-Boy exportés des États-Unis ou du Canada devront contacter leur distributeur (concessionnaire) Toro local pour obtenir les polices de garantie pour leur pays, province ou état. Si pour une raison quelconque vous n'étiez pas satisfait des prestations de votre distributeur ou si vous éprouviez des difficultés à obtenir des informations sur la garantie, contactez l'importateur Toro. Si vous n'obtenez toujours aucun résultat, contactez-nous directement au siège social de Toro.

Contenido

	Página		
Introducción	1	Freno de la cuchilla	23
Seguridad	2	Carga de la batería	24
Medidas de seguridad	2	Desecho de la batería	24
Calcomanías de seguridad e instrucciones .	6	Limpieza	24
Calcomanías de seguridad e instrucciones .	7	Limpieza de la guarda del embrague del freno de la cuchilla	26
Montaje	7	Ajustes del carburador	26
Manija	7	Almacenamiento	27
Tapón del canal de descarga	7	Combustible	27
Batería	8	Motor	27
Antes de comenzar	8	Limpieza	27
Aceite	8	General	28
Gasolina	9	Retirada del lugar de almacenamiento	28
Consejos para el reciclado	10	Accesorios	28
Consejos generales	10	Garantía de control de emisiones en el estado de California	29
Operación	11	La garantía de arranque Toro	32
Controles	11	Registro de mantenimiento para garantía de arranque	34
Arranque del motor	11	Garantía	35
Parada del motor	11		
Cuchilla y dirección autopropulsada	12		
Tirando de la cortadora hacia atrás	12		
Como usar el tapón del canal de descarga .	12		
Uso del saco para hierba	13		
Ajuste de la altura de corte	14		
Comprobación del funcionamiento de la barra de control	15		
Mantenimiento	18		
Programa de mantenimiento recomendado	18		
Filtro de aire	19		
Drenaje de la gasolina	20		
Cambio del aceite del motor	20		
Bujía	21		
Cable del acelerador	21		
Cable autopropulsado	22		
Cuchilla	22		
Lubricación	23		

Introducción

Gracias por comprar un producto Toro.

Todo el personal de Toro queremos que esté totalmente satisfecho con su nuevo producto. Por ello le rogamos que se ponga en contacto con su concesionario local autorizado, que dispone de piezas de repuesto Toro genuinas y le podrá ayudar con los problemas técnicos y asistirle en todo momento.

Siempre que se comunique con el Concesionario de Servicio Autorizado o con la fábrica, tenga a mano los números de modelo y serie del producto. Estos números ayudarán al Concesionario de Servicio o al Representante de Servicio a proporcionarle una información precisa acerca de su producto determinado. Encontrará la calcomanía con los números de modelo y serie en un lugar especial en el producto (Fig. 1).

Para su comodidad, anote a continuación el modelo y el número de serie de su producto.

No. del modelo:	_____
No. de serie:	_____

Lea este manual detenidamente para aprender a utilizar y mantener correctamente su producto. La lectura de este manual le ayudará a Vd. y a otros a evitar lesiones corporales y daños a la máquina. Aunque Toro diseña, fabrica y comercializa productos seguros y de la más alta calidad, Vd. es el responsable de utilizar el producto de forma segura y adecuada. Vd. también es el responsable de instruir a las personas a las que tiene intención de dejar utilizar la máquina, para que la usen según las normas de seguridad.

A lo largo de este manual, Toro ha incluido avisos que identifican peligros potenciales y mensajes de seguridad especiales que le ayudarán a Vd. y a otros a evitar las lesiones corporales, incluso la muerte. Las palabras utilizadas para indicar estos mensajes e identificar el nivel de riesgo son PELIGRO, ADVERTENCIA y CUIDADO. No obstante, sin importar el nivel de riesgo, sea extremadamente cuidadoso.


PELIGRO señala una situación extremadamente arriesgada que causará lesiones graves, incluso la muerte, si no se siguen las precauciones indicadas.

ADVERTENCIA señala un riesgo que puede causar lesiones graves, incluso la muerte, si no se siguen las instrucciones indicadas.

CUIDADO señala un riesgo que puede causar lesiones leves o moderadas si no se siguen las instrucciones indicadas.

También se utilizan otras dos palabras para resaltar cierto tipo de información. “Importante” llama la atención sobre informaciones técnicas especiales y “Nota” hace hincapié sobre informaciones generales que es conveniente resaltar.

Seguridad

Esta máquina cumple o excede los requisitos de seguridad de cuchilla CPSC para cortadoras de césped con cuchilla giratoria empujadas por usuario y cumple la especificación B71.1 del ANSI, en efecto en el momento de la fabricación. Sin embargo, el uso o mantenimiento indebido por parte del usuario o propietario puede causar lesiones. Para reducir el riesgo potencial de lesiones, cumpla estas instrucciones de seguridad y preste siempre atención al símbolo de alerta  que significa CUIDADO, ADVERTENCIA o PELIGRO—“instrucción relativa a la seguridad personal”. El incumplimiento de estas instrucciones puede dar lugar a lesiones corporales.

Medidas de seguridad

Este producto es capaz de amputar brazos o piernas y de lanzar objetos. Siga siempre todas las instrucciones de seguridad con el fin de evitar lesiones corporales graves e incluso la muerte.

ADVERTENCIA

PELIGRO POTENCIAL

- Los gases de escape del motor contienen monóxido de carbono, un veneno mortal e inodoro.

LO QUE PUEDE SUCEDER

- El monóxido de carbono es mortal, y en el estado de California se ha comprobado que causa defectos congénitos.

COMO EVITAR EL PELIGRO

- No haga funcionar el motor dentro de la casa o en recintos cerrados.

Esta cortadora de césped está diseñada para cortar la hierba y para distribuir fertilizantes orgánicos y, cuando está equipada con un saco, para recoger la hierba cortada. Cualquier otro uso al que se la destine puede ser peligroso para el usuario o las personas a su alrededor.

Nota: Este motor NO está equipado con un silenciador eliminador de chispas. La utilización o funcionamiento de esta cortadora de césped en cualquier terreno cubierto de bosque, maleza o sin edificar en el estado de California, sin estar equipada con un silenciador eliminador de chispas aprobado, está en contra de la ley. Otros estados pueden tener legislaciones similares.

Operación general

1. Lea detenidamente este manual antes de hacer funcionar la cortadora de césped. Familiarícese con los controles y su correcta utilización. Nunca deje que los niños menores de 16 años usen la cortadora de césped o que la utilicen adultos que no hayan recibido las instrucciones adecuadas.
2. El operador de la cortadora de césped es responsable de mantener a todos, especialmente los niños y los animales domésticos, fuera del área de funcionamiento. El operador es responsable de los accidentes o peligros a que están sometidas las personas que se encuentren en su propiedad.
3. Inspeccione cuidadosamente el área donde se va a utilizar la cortadora de césped y retire los palos, piedras, alambres y escombros. Mientras corta el césped, inspeccione el área en busca de objetos extraños.
4. Vístase con pantalones largos y zapatos resistentes. No utilice la cortadora de césped mientras lleve sandalias, joyas, ropas sueltas o esté descalzo.
5. Compruebe el nivel de combustible antes de poner en marcha el motor. Maneje con cuidado el combustible, es un líquido altamente inflamable.
 - A. Utilice un recipiente homologado.
 - B. Llene el tanque en el exterior, nunca en un recinto cerrado. **NUNCA AÑADA COMBUSTIBLE AL MOTOR CUANDO ESTA EN FUNCIONAMIENTO O CALIENTE.**
 - C. No fume mientras reposta combustible.
 - D. Instale la tapa de gases en el depósito de combustible y en el tanque de gas y limpie la gasolina derramada antes de arrancar el motor.
6. Mantenga en su sitio todas las cubiertas, protecciones, colectores de hierba y dispositivos de seguridad. Repare o reemplace las piezas dañadas, incluyendo las calcomanías. Antes de cada uso, compruebe todos los dispositivos de seguridad.
7. Antes de utilizar, compruebe siempre visualmente que las cuchillas, los pernos de las cuchillas y el sistema de corte no están desgastados o dañados. Reemplace la cuchilla o los pernos gastados o dañados siempre en juegos, con el fin de mantener el equilibrio.
8. El dispositivo de tracción y la cuchilla están diseñados para detenerse cuando se suelta la barra de control. Compruebe que el freno y los controles funcionan correctamente antes de cada uso.
9. Desactive el mecanismo de autopropulsión o el embrague de marcha antes de encender el motor.

Mientras está funcionando

1. No haga funcionar el motor en recintos cerrados.
2. Arranque cuidadosamente el motor siguiendo las instrucciones y con los pies bien separados de la cuchilla.

3. Manténgase siempre en posición estable. Mantenga firmemente agarrada la manija y camine, no corra nunca. No haga funcionar la cortadora de césped sobre hierba mojada. Corte el césped durante el día o con iluminación artificial adecuada.
4. Corte el césped de las pendientes perpendicularmente a la pendiente, nunca de arriba a abajo. Sea extremadamente cuidadoso cuando cambie de dirección en una pendiente. No corte el césped de pendientes demasiado pronunciadas. Cuando corte el césped en pendientes, utilice zapatos antideslizantes.
5. Mantenga la cara, las manos y los pies alejados de la caja de la cortadora de césped y de la cuchilla de corte mientras el motor esté funcionando. La cuchilla puede causar lesiones en las manos y en los pies.
6. Maniobre con extremo cuidado cuando vaya marcha atrás o cuando mueva la cortadora de césped hacia Vd.
7. Permanezca detrás de la manija hasta que se detenga el motor y manténgase siempre alejado de las aberturas de descarga.
8. Al ensacar hierba, detenga el motor y asegúrese de que la puerta de descarga haya cerrado antes de retirar el saco para vaciarlo.
9. Cuando corte el césped, compruebe que el saco para hierba está instalado sobre la abertura de descarga.
10. Antes de desatascar el canal de descarga, apague el motor y espere a que todas las piezas móviles se detengan.
11. Ya que la cuchilla sigue girando unos segundos después de que se haya soltado la barra de control, manténgase detrás de la manija hasta que todas las piezas móviles se hayan detenido.
12. Después de golpear un objeto extraño o si la cortadora de césped vibra de forma extraña, pare el motor y retire el cable de la bujía. Compruebe que la cortadora de césped no ha sufrido daños y

efectúe cualquier reparación necesaria antes de volver a utilizarla. Si fuera necesario efectuar reparaciones importantes o se desea asistencia técnica, póngase en contacto con su representante de servicio autorizado Toro.

13. Antes de ajustar la altura de corte, pare el motor y espere a que se detengan todas las piezas móviles.
14. Pare el motor antes de sacar la cortadora fuera del área cubierta de césped.
15. Pare el motor antes de abandonar la posición del operario - detrás de la manija. Desconecte el cable de la bujía si la cortadora de césped va a quedar desatendida.
16. No toque el motor mientras está en marcha o poco después de que se haya parado, ya que estará lo suficientemente caliente como para producir quemaduras.
17. Llene el depósito de combustible sólo cuando el motor esté frío.
18. Si es necesario alzar la cortadora de césped para transportarla, apague el motor y manténgase detrás de la manija hasta que todas las piezas móviles se hayan detenido.

Mantenimiento

1. Lleve a cabo solamente las instrucciones de mantenimiento descritas en este manual. Si la cortadora necesitase reparaciones importantes o si usted desea asistencia, comuníquese con su Representante de Servicio Autorizado TORO.
2. Antes de limpiar, inspeccionar, reparar o ajustar la cortadora de césped, pare el motor y desconecte el cable de la bujía. Mantenga el cable lejos del enchufe para evitar arranques accidentales.
3. Para cercionarse de que la cortadora esté en condiciones seguras de operación, examine frecuentemente todos los tornillos, tuercas y pernos y manténgalos apretados. Asegúrese de que el perno de la cuchilla esté apretado a 20-37 N·m (15-27 libras-pie).

-
4. Cuando repare la cuchilla, consulte la sección de mantenimiento de la cuchilla, donde se le informará acerca de los procedimientos correctos de instalación y reparaciones.
 5. Para reducir el riesgo de incendio, mantenga el motor libre de exceso de grasa, hierba, hojas y acumulaciones de suciedad.
 6. No haga funcionar el motor a velocidades excesivas, cambiando el ajuste del regulador.
 7. Revise frecuentemente el saco recogedor de hierba para asegurarse de que no esté desgastado o deteriorado. Para protección del operador, cuando el saco esté desgastado o deteriorado, reemplácelo por uno nuevo.
 8. Deje que el motor se enfríe antes de guardar la cortadora de césped en un recinto cerrado. No coloque la cortadora cerca de llamas descubiertas o donde los vapores de la gasolina puedan ser encendidos por una chispa.
 9. Al momento de su fabricación, la cortadora cumplía con las normas de seguridad vigentes para cortadoras rotativas. Para asegurar el rendimiento óptimo y el mantenimiento de la certificación de seguridad de la cortadora, use únicamente piezas y accesorios de repuesto TORO legítimos. Es posible que las piezas de repuesto y accesorios de otros fabricantes no satisfagan las normas de seguridad, lo cual podría resultar peligroso.

Calcomanías de seguridad e instrucciones



Las calcomanías de seguridad e instrucciones están colocadas en un lugar fácilmente visible por el operador y cerca de las piezas potencialmente peligrosas. Reemplace cualquier calcomanía dañada o despegada.



SOBRE LA CAJA DE LA CORTADORA
(Nº de ref. 43-8480)



DEBAJO DEL MONTAJE TAPA-DEFLECTOR EN LA CUBIERTA DE LA CORTADORA
(Nº de ref. 82-8450)



EN LA CUBIERTA DE LA CORTADORA
(Nº de ref. 46-7370)

WARNING		
AVOID SERIOUS INJURY or DEATH:		
• GO ACROSS SLOPES, NOT UP AND DOWN.		
• DO NOT MOW WHEN CHILDREN OR OTHERS ARE AROUND.		
• LOOK DOWN AND BEHIND BEFORE AND WHILE MOVING BACKWARDS.		
• KEEP SAFETY DEVICES (GUARDS, SHIELDS, ETC.) IN PLACE AND WORKING.		
• REMOVE OBJECTS THAT COULD BE THROWN BY THE BLADE.		
• READ THE OPERATOR'S MANUAL.		
<small>FOR REPLACEMENT MANUAL, SEND MODEL & SERIAL NUMBER TO: THE TORO CO., 8111 LYNDALE AVE.S., BLOOMINGTON, MN 55420-1196.</small>		

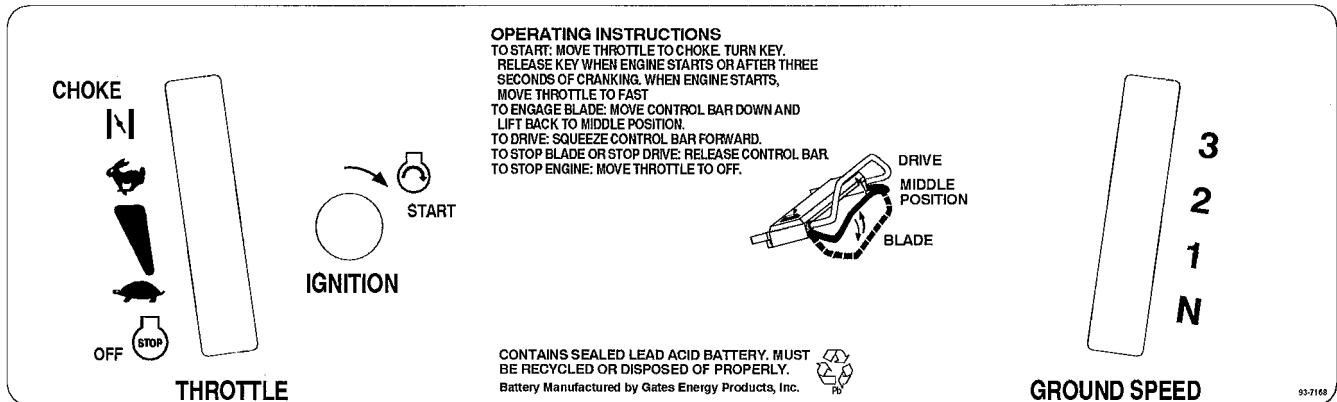
EN LA CUBIERTA DE LA CORTADORA
(Nº de ref. 93-0248)

<p>CHOKE</p> <p>OFF STOP</p>	<p>OPERATING INSTRUCTIONS</p> <p>TO START: MOVE THROTTLE TO CHOKE. PULL ROPE. WHEN ENGINE STARTS, MOVE CONTROL BAR DOWN AND LIFT BACK TO MIDDLE POSITION.</p> <p>TO DRIVE MOWER: SQUEEZE CONTROL BAR FORWARD. TO STOP BLADE OR STOP DRIVE: RELEASE CONTROL BAR. TO STOP ENGINE: MOVE THROTTLE TO OFF.</p>	<p>DRIVE</p> <p>MIDDLE POSITION</p> <p>BLADE</p>	<p>3</p> <p>2</p> <p>1</p> <p>N</p>
THROTTLE		GROUND SPEED	<small>93-7167</small>

(Modelo 20465)

EN EL PANEL DE CONTROL
(Nº de ref. 93-7167)

Calcomanías de seguridad e instrucciones



(Modelo 20466)

EN EL PANEL DE CONTROL
(Nº de ref. 93-7168)

Montaje

Nota: Los lados izquierdo y derecho de la cortadora se determinan desde la posición del operador.

Manija

1. Para evitar daños durante el transporte y el montaje de la cortadora, ésta se envía de fábrica con material de relleno colocado entre las juntas de la manija superior e inferior. Alinee las manijas superior e inferior y retire el material de relleno con la ayuda de unos alicates.
2. La perilla izquierda de la manija se envía de fábrica colocada en la parte exterior de la manija (Fig. 2). Saque el perno y la perilla izquierda. Vuelva a instalarlos en la parte interior de la manija (Fig. 3). Ambas perillas deben estar instaladas en la parte interior de las manijas. Apriete las perillas.
3. Mueva ligeramente hacia fuera los pestillos de la manija de forma que no interfieran al girar hacia atrás la manija para colocarla en la posición de operación (Fig. 3).

4. Gire la manija hacia atrás. Mueva hacia dentro los pestillos de la manija mientras introduce el perno en el orificio central del pestillo de la manija (Fig. 3). Si el pestillo de la manija no encaja de forma segura en el tubo de la manija, saque el pestillo del perno, doble hacia dentro el pestillo y vuelva a colocarlo en el perno. Repita este procedimiento las veces que sean necesarias hasta que se produzca un encaje perfecto entre el pestillo y la manija. Compruebe que las perillas de la manija están apretadas.

Nota: Si la altura de la manija no es satisfactoria, ajústela colocando el perno en otro orificio.

5. Compruebe que los cables de control están por detrás y en la parte interna de las manijas. Fije los cables a la manija mediante abrazaderas para cables (Fig. 3).

Tapón del canal de descarga

Modelo 20475 & 20476 únicamente

1. Abra la puerta de descarga, halando hacia adelante por su asa y llevándola hacia atrás (Fig. 4). Sujete el asa de la puerta de descarga para evitar que la puerta accionada por el resorte se cierre al insertar el tapón.

- Debido a que el tapón es ligeramente más ancho que la abertura del canal, hágalo girar hacia la derecha mientras lo inserta (Fig. 4). Asegúrese de que la flecha de la calcomanía del tapón apunte hacia arriba.
- Empuje el tapón al máximo, hasta que la presilla de resorte al extremo del mismo encaje en su lugar, fijando el tapón de manera segura en el canal de descarga (Fig. 5). Suelte el asa de la puerta de descarga para asegurar la parte superior del tapón.

Batería

(modelo con arranque eléctrico solamente)

- Coloque la batería, con la parte de la calcomanía hacia arriba, entre las ranuras de la parte trasera del tablero de control y conecte los bornes (Fig. 6).
- Cargue la batería. Consulte la sección "Carga de la batería".

Antes de comenzar

Aceite

Llene el cárter con aceite SAE 30 hasta que el nivel llegue a la marca de FULL (lleno) de la varilla medidora. Si no se dispone de aceite SAE 30 se puede sustituir por aceite 10W-30. La capacidad máxima del cárter es de 0,75 litros (25 onzas) de

aceite. Use cualquier aceite detergente de alta calidad que tenga la clasificación de servicio de la API—SF, SG o SH.

Antes de cada uso, compruebe que el nivel de aceite esté entre las marcas de FULL (lleno) y ADD (agregar) de la varilla medidora (Fig. 7). Agregue aceite si el nivel está bajo.

- Coloque la cortadora sobre una superficie nivelada y limpie alrededor de la varilla medidora (Fig. 7).
- Saque la varilla haciendo girar la tapa un cuarto de vuelta hacia la izquierda.
- Limpie la varilla con un trapo e insertela en el orificio de llenado. Gire la tapa un cuarto de vuelta hacia la derecha. Entonces, saque la varilla y verifique el nivel en el lado que tiene las marcas FULL y ADD (Fig. 7). Si el nivel está bajo, agregue solamente la cantidad suficiente para llevar el nivel hasta la marca de FULL (lleno). **NO SOBREPASE ESTA MARCA PORQUE EL MOTOR PODRIA AVERIARSE DURANTE EL ARRANQUE. VIERTA EL ACEITE LENTAMENTE.**
- Inserte la varilla medidora en el orificio de llenado y gire la tapa un cuarto de vuelta hacia la derecha para trazarla en su posición.

Nota: Compruebe el nivel del aceite cada vez que utilice la cortadora o después de cada 5 horas de operación. Inicialmente, cambie el aceite después de las primeras 2 horas de operación; más adelante, cámbielo después de cada 25 horas. En condiciones de polvo o suciedad, se requieren cambios de aceite de forma más frecuente.

Gasolina

PELIGRO

PELIGRO POTENCIAL

- En ciertas condiciones, la gasolina es extremadamente inflamable y altamente explosiva.

LO QUE PUEDE SUCCEDER

- Un incendio o una explosión causados por gasolina pueden quemar al operador y otras personas y causar daños materiales.

COMO EVITAR EL PELIGRO

- Utilice un embudo y llene el depósito de combustible en el exterior, en un área abierta y con el motor frío. Limpie la gasolina derramada.
- No llene a tope el depósito de gasolina. Añada gasolina hasta que el nivel alcance desde 6 mm a 13 mm (1/4 a 1/2 pulgada) por debajo de la parte inferior del cuello de llenado. Este espacio vacío en el depósito permite la dilatación de la gasolina.
- No fume nunca mientras maneja la gasolina y manténgase alejado de llamas desnudas o de lugares donde una chispa pueda inflamar los vapores de la gasolina.
- Almacene la gasolina en un recipiente homologado y manténgalo fuera del alcance de los niños.
- No compre nunca una provisión de gasolina para más de 30 días.

Este motor está certificado para funcionar con gasolina sin plomo. Toro recomienda encarecidamente el uso de gasolina fresca, limpia, **SIN PLOMO** de grado regular y de 85 octanos o más en todos los sistemas Toro con motor de gasolina. La gasolina sin plomo quema más limpio, prolonga la vida del motor y produce un buen arranque reduciendo la acumulación de depósitos en la cámara de combustión. En países que no sean los Estados Unidos, se puede utilizar gasolina con plomo comercial si no se dispone de gasolina sin plomo.

IMPORTANTE: No mezcle aceite con la gasolina. No use gasolina que haya sido almacenada en un recipiente homologado desde la temporada anterior.

Toro recomienda el uso regular de un estabilizador/acondicionador Toro en todos los productos con motor de gasolina Toro durante las temporadas de operación y almacenamiento. Los estabilizadores/acondicionadores Toro limpian el motor durante la operación e impiden que se formen depósitos gomosos en el motor durante los períodos de almacenamiento.

IMPORTANTE: Algunos combustibles, conocidos como gasolinas oxigenadas o reformadas, son gasolinas mezcladas con alcoholes o éteres. Cantidades excesivas de estas mezclas pueden dañar el sistema de combustible o causar problemas de rendimiento. No use nunca metanol, gasolina que contenga metanol, gasohol con más de 10% de etanol o gasolina blanca porque podrían producir daños en el sistema de combustión del motor. Si se produce algún síntoma de funcionamiento indeseable, utilice gasolina con un porcentaje menor de alcohol o éter.

No use aditivos de combustible distintos de los fabricados para la estabilización del combustible durante el almacenamiento, tales como el estabilizador/acondicionador Toro o productos similares. El estabilizador/acondicionador Toro es un producto con base de destilado de petróleo. Toro no recomienda los estabilizadores con base de alcohol, tales como el etanol, metanol o isopropilo. No deben usarse aditivos para tratar de aumentar la potencia o funcionamiento del equipo.

1. Limpie alrededor de la tapa del tanque de combustible y quite la tapa al tanque (Fig. 7).
2. Usando gasolina sin plomo, llene el tanque hasta 6 a 13 mm (1/4 a 1/2 pulgada) del tope del tanque, no en el cuello de llenado. No llene el tanque hasta el tope.
3. Vuelva a colocar la tapa del tanque y limpie cualquier derrame de gasolina.

4. Conecte el cable de la bujía (si hubiera sido desconectado) (Fig. 8).

Consejos para el reciclado

Consejos generales

Siga las instrucciones siguientes para obtener los mejores resultados de corte y apariencia del césped.

- Mantenga una **cuchilla afilada** durante toda la temporada de corte. Periódicamente, afile las melladuras de la cuchilla.
- **Sólo corte hierba y hojas secas.** La hierba y las hojas mojadas tienden a agruparse y pueden obstruir la cortadora o ahogar el motor. Además, son resbaladizas y aumentan el riesgo de deslizamientos y caídas por parte del operador.

ADVERTENCIA

PELIGRO POTENCIAL

- **La hierba húmeda le puede hacer resbalar y tropezar con la cuchilla.**

LO QUE PUEDE SUCEDER

- **El contacto con la cuchilla le puede lesionar gravemente.**

COMO EVITAR EL PELIGRO

- **Corte la hierba sólo en condiciones secas.**

- Fije el motor en la posición de máxima velocidad. La máxima potencia ofrece los mejores resultados.
- Después de cada utilización, limpie la parte inferior de la cubierta, eliminando las acumulaciones de hojas.
- Mantenga el motor en buen estado de funcionamiento. Las acciones de cortar y recortar requieren mayor potencia.

- Limpie el filtro de aire con más frecuencia. Las acciones de cortar y recortar crean más acumulaciones de recortes y polvo que pueden atascar el filtro de aire y reducir el rendimiento del motor.

Cortar hierba

- La hierba crece a diferente velocidad dependiendo de la época del año. En el calor del verano es mejor, generalmente, cortar la hierba en las graduaciones de altura de C, D o E. Debe cortarse sólo 1/3 de la altura de la hoja de hierba. No se recomienda cortar a una graduación inferior a C a menos que la hierba sea muy rala o a fines del otoño cuando el crecimiento de la hierba comienza a ser lento.
- Cuando se corte hierba de más de 15 cm (6 pulgadas) de altura, puede ser preferible utilizar primero la cortadora con la máxima altura de corte y una velocidad de avance lenta; después se puede volver a pasar con un ajuste de altura más bajo, mejorando el aspecto del césped. Si la hierba es demasiado alta y hay acumulaciones de hojas, la cortadora puede atascarse y ahogar el motor.
- Alterne la dirección del corte. Esto ayudará a dispersar los recortes por todo el césped para una fertilización más uniforme.

Si la apariencia del césped acabado de cortar no es satisfactoria, intente uno o más de los siguientes:

- Afile la cuchilla.
- Camine más despacio mientras poda el césped.
- Eleve la graduación de altura de corte de la cortadora.
- Corte el césped con mayor frecuencia.
- Solape las sendas de corte en lugar de cortar una sola senda con cada pasada.
- Gradúe la altura de corte una ranura más baja en las ruedas delanteras que en las traseras (por ejemplo: fije las ruedas delanteras en "C" y las traseras en "D")

Cortar hojas

- Cuando haya terminado de cortar, asegúrese siempre de que se vea el 50% del césped a través del manto de hojas cortadas. Esto puede requerir una o más pasadas sobre las hojas.
- Para una cubierta de hojas ligera, fije todas las ruedas a la misma altura de corte.
- Si hubiese hojas de más de 13 cm (5 pulgadas) sobre el césped, gradúe las ruedas delanteras una o dos ranuras más alto que las traseras. Esto facilita la entrada de las hojas bajo la cubierta de la cortadora.
- Camine más lentamente si las hojas no son cortadas lo suficientemente finas como para ocultarse entre la hierba.
- Si usted corta gran cantidad de hojas de roble, puede que necesite agregar cal a su césped en la primavera. La cal reduce la acidez de las hojas de roble.

Operación



Controles

La llave de contacto (modelo con arranque eléctrico), el control del acelerador, el control de velocidad sobre el terreno y la barra de control están en la manija superior (Fig. 9). El arrancador recuperador está encima del motor (Fig. 10).

Arranque del motor

Nota: El motor requiere un período de calentamiento de un minuto o de varios minutos, dependiendo de la temperatura.

1. Introduzca el cable de la bujía en la bujía (Fig. 8).

2. Mueva el control de velocidad sobre el terreno hasta la posición  (PUNTO MUERTO).
3. Mueva el control del acelerador hasta la posición  (OBTURADOR).

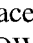
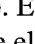
Arranque manual

- A. Resista la sacudida apoyando el pie en el lado izquierdo de la caja de la cortadora, donde se puede leer “CUANDO ARRANQUE, COLOQUE AQUI EL PIE”.
- B. Hale ligeramente la manija de arranque hasta que note resistencia y, a continuación, tire con fuerza. Deje que la cuerda regrese lentamente a la manija.



Arranque eléctrico (modelo con arranque eléctrico solamente)

- C. Introduzca la llave en el interruptor.
- D. Gire la llave hasta la posición START y suéltela cuando arranque el motor.

Nota: Si la batería no está lo suficientemente cargada para arrancar el motor, utilice el arrancador recuperador.

4. Regule el acelerador conforme desee  (FAST) y  (SLOW). Espere a que se caliente el motor. Durante el período de calentamiento, se puede operar el equipo.

Parada del motor

1. Suelte la barra de control para detener la cuchilla y el mecanismo de tracción. Mueva el control de velocidad sobre el terreno hasta la posición  (PUNTO MUERTO). Para parar el motor, mueva el acelerador hasta la posición  (OFF). Permanezca detrás de la manija hasta que todas las piezas móviles se detengan.

2. Desenchufe el cable de la bujía si va a dejar la cortadora desatendida o no la va a usar. En el modelo con arranque eléctrico, retire la llave.

Cuchilla y dirección autopropulsada

La cortadora tiene tres velocidades sobre el terreno: la número “1” es lenta, la número “2” es media y la número “3” es una velocidad rápida de marcha a pie.

1. Mueva el control de velocidad sobre el terreno a la posición deseada.
2. Baje la barra de control hasta la posición “A” y súbala hasta la posición “B” para engranar la cuchilla (Fig. 11).
3. Para engranar el mecanismo de tracción, apriete la barra de control contra la manija hasta la posición “C” (Fig. 11).

La velocidad sobre el terreno depende de la separación entre la barra de control y la manija. Para desengranar el mecanismo de tracción, manteniendo la cuchilla engranada, suelte gradualmente la barra de control hasta la posición intermedia (Fig. 11).

Para autopropulsar la máquina con la cuchilla desengranada, simplemente oprima la barra de control contra la manija, eliminando el movimiento de descenso necesario para engranar la cuchilla.

Nota: No cambie de velocidad mientras la barra de control está apretada contra la manija en la posición “C” (automático) (Fig. 11) ya que puede dañar la transmisión. Mueva la barra de control hasta la posición intermedia cuando desee cambiar la velocidad sobre el terreno.

Se puede variar la velocidad sobre el terreno aumentando o reduciendo la distancia entre la barra de control y la manija. Baje la barra de control para reducir la velocidad de la cortadora cuando vaya a realizar un giro o si la cortadora se mueve demasiado

rápido. Si baja demasiado la barra de control, la cortadora dejará de autopropulsarse. Apriete la barra de control contra la manija para aumentar la velocidad sobre el terreno. Cuando la barra de control está completamente apretada contra la manija, la cortadora se autopropulsará a la máxima velocidad. Mueva el control de velocidad hasta la posición **N** (PUNTO NEUTRO) cuando use la cortadora para recortar o cuando la deje desatendida.

Tirando de la cortadora hacia atrás

Su cortadora está equipada con embragues de rueda libre que facilitan el tirar de la cortadora hacia atrás. Es necesario bajar la barra de control lo suficiente para desengranar el mecanismo de autopropulsión y desengranar los embragues antes de tirar de la cortadora hacia atrás. Para ello, puede ser necesario mover la cortadora hacia adelante unos centímetros después de soltar la barra de control.

Por ejemplo, si se acerca a un objeto tal como un árbol o un matorral del que desea alejar la cortadora, baje la barra de control cuando se encuentre a unos 15 cm (6 pulgadas) del objeto justo lo suficiente como para desengranar el mecanismo de tracción. El impulso de la cortadora la hará avanzar por lo menos 2,5 cm (1 pulgada) lo que hará que se desengranen los embragues. Entonces le resultará fácil tirar de la cortadora hacia atrás.

Es necesario que el cable autopropulsado esté correctamente ajustado de forma que pueda bajar cómodamente la barra de control para detener el mecanismo de tracción sin parar el motor. Consulte la sección “Cable autopropulsado” en el capítulo “Mantenimiento” para obtener información sobre el ajuste del cable. Si necesita ayuda, diríjase a su representante de servicio autorizado Toro.

Como usar el tapón del canal de descarga

Modelo 20475 & 20476 únicamente

1. Asegúrese de que el motor está apagado. Abra la puerta de descarga halando el asa hacia adelante y moviéndola hacia atrás (Fig. 4). Sostenga el

asa de la puerta de descarga para evitar que la puerta accionada por el resorte se cierre mientras se inserta el tapón.

- Debido a que el tapón es ligeramente más ancho que la abertura del canal, hágalo girar hacia la derecha mientras lo inserta (Fig. 4). Asegúrese de que la flecha de la calcomanía del tapón apunte hacia arriba.
- Empuje el tapón al máximo, hasta que la presilla de resorte al extremo del mismo encaje en su lugar, fijando el tapón de manera segura en el canal de descarga (Fig. 5). Suelte el asa de la puerta de descarga para asegurar la parte superior del tapón.
- Para sacar el tapón, mueva el asa de la puerta de descarga hacia atrás mientras levanta la presilla de resorte del extremo del tapón. Cuando el tapón está destrabado, extráigalo del canal de descarga.

Nota: Cuando la hierba es espesa y exuberante, es posible que se acumulen recortes en el tapón del canal de descarga, dificultando su extracción. Limpie cuidadosamente el tapón después de cada utilización. Consulte la sección “Limpieza”, en la página 24.

Uso del saco para hierba

Modelo 20475 & 20476 únicamente

En ocasiones, puede que usted desee usar el saco para hierba para ensacar hierba demasiado larga, muy exuberante u hojas de árboles.

- Detenga el motor y espere a que todas las piezas móviles se detengan.
- Asegúrese de que el asa de la puerta de descarga esté completamente hacia adelante y que el pasador esté trabado en su enganche (Fig. 12).

- INSTALACIÓN DEL SACO** — Deslice el orificio del marco del saco sobre el poste de retención del canal de descarga (Fig. 12) y coloque la parte posterior del marco del saco sobre la barra de soporte.
- Hale el asa de la puerta de descarga hacia adelante hasta que el pasador se libere del enganche y muévela hacia atrás hasta que el pasador enganche en el pestillo del saco (Fig. 13). Ahora la puerta de descarga de la caja de la cortadora estará abierta.



PELIGRO

PELIGRO POTENCIAL

- Por un canal de descarga abierto pueden salir disparados recortes de hierba y otros objetos.

LO QUE PUEDE SUCEDER

- Los objetos lanzados con suficiente fuerza pueden causar serias lesiones personales o la muerte al operador o a un espectador.

COMO EVITAR EL PELIGRO

- Nunca abra la puerta del canal de descarga cuando el motor esté funcionando, a menos que estén seguramente instalados el saco para hierba, los aditamento de descarga lateral o el tapón del canal.

PELIGRO

PELIGRO POTENCIAL

- Un saco para hierba gastado puede ocasionar que las piedrecillas y otros residuos de tierra similares sean lanzados en dirección del operador o de un espectador.

LO QUE PUEDE SUCEDER

- Los objetos lanzados pueden causar serias lesiones personales o hasta la muerte al operador o los espectadores.

COMO EVITAR EL PELIGRO

- Examine el saco para hierba frecuentemente. Si estuviese dañado, instale un saco nuevo TORO legítimo.

PELIGRO

PELIGRO POTENCIAL

- Si la puerta de descarga no está completamente cerrada podrían salir objetos disparados.

LO QUE PUEDE SUCEDER

- Los objetos lanzados pueden causar serias lesiones personales o incluso la muerte.

COMO EVITAR EL PELIGRO

- Si la puerta de descarga no puede cerrarse por atascamiento de recortes de hierba en el área de descarga, detenga el motor y cuidadosamente mueva el asa de la puerta de descarga hacia atrás y hacia adelante hasta que pueda cerrarse completamente. Si aún no pudiese cerrarse la puerta, detenga el motor y quite la obstrucción con un palo, nunca con la mano.

5. VACIADO DEL SACO — Detenga el motor y espere a que todas las piezas móviles se detengan. Levante hacia arriba el asa de la puerta de descarga y muévala hacia adelante de forma que el pasador de traba haga contacto con el

enganche (Fig. 12). Sujete el asa del marco del saco y la parte trasera del saco para hierba y despéguelo de la cortadora. Voltee el saco gradualmente hacia adelante para vaciarlo de recortes.

6. Para volver a instalar el saco, repita los pasos 3-4.

Ajuste de la altura de corte

La exclusiva SmartWheel® de Toro proporciona un método sencillo para determinar la debida altura de corte.

A fin de garantizar la mejor altura de corte para la condición de cortado que sea, SmartWheel tiene dos escalas de graduación de corte — SPARSE/NORMAL (escaso/normal) y LUSH— (abundante) (Fig. 14). Para la mayor parte del cortado, durante la temporada cálida del verano use la graduación de corte SPARSE/NORMAL. La graduación LUSH es para la hierba densa, húmeda y suculenta que crece más que todo durante la primavera.

Por lo general se recomienda lo siguiente:

- Por lo general la hierba se debe cortar cuando esté a la altura para las posiciones C, D o E o se debe mantener a una altura de 5 a 7 cm.
- No se recomienda el corte en una posición inferior a la C a menos que la hierba sea escasa o a fines del otoño cuando el crecimiento de la hierba es más lento. Al cortar hierba larga es posible que se deba usar una posición de altura de corte superior y se deba andar más lentamente; luego habría que volver a cortar la hierba en una posición de corte más normal. Si la hierba es demasiado larga y deja macizos de césped, la cortadora se podría obturar y hacer que pare el motor.
- SmartWheel calcula la debida posición a fin de garantizar que no se corte más de 1/3 de la hoja de hierba.

DANGER

PELIGRO POTENCIAL

- El ajustar las palancas de altura de corte puede hacer que las manos hagan contacto con la cuchilla en movimiento.

LO QUE PUEDE SUCEDER

- El contacto con la cuchilla puede causar serias lesiones personales.

COMO EVITAR EL PELIGRO

- Detenga el motor y espere a que todas las piezas móviles se paren antes de ajustar la altura de corte.
- No meta los dedos debajo de la caja cuando ajuste las palancas de altura de corte.


1. Antes de arrancar el motor y comenzar a cortar, empuje la cortadora hasta la hierba. Deténgase cuando las letras SPARSE/NORMAL y LUSH estén encima del diseño SmartWheel en la rueda trasera izquierda (Fig. 14).
2. Haciendo uso del diseño SmartWheel codificado a colores (Fig. 14), compare las puntas de las hojas de hierba con los colores/letras que hay en la rueda. El color/letra con que correspondan las puntas de las hojas de hierba es la debida altura de corte.
3. Apriete la palanca de altura de corte de la cortadora hacia la rueda y muévela hasta el color/letra correspondiente de la caja de la cortadora (Fig. 15). Para mayor facilidad de ajuste, alce la caja de modo que la rueda no toque el piso. **Al alzar no meta los dedos dentro de la caja.** Asegúrese de que el pasador de la palanca de ajuste de corte se enganche en la ranura de la caja. Ajuste todas las ruedas a la misma posición de color/letra.

Nota: Las ruedas delanteras pueden ajustarse a 13 mm (1/2 pulgada). Mueva la palanca de ajuste más allá de la letra "A" y deje entrar el pasador en el orificio de la caja. No se recomienda utilizar el ajuste de 13 mm como el ajuste normal de corte.

Comprobación del funcionamiento de la barra de control

Compruebe el funcionamiento de la barra de control antes de cada uso verificando que el sistema de Embrague del Freno de la Cuchilla (EFC) funciona correctamente.

A: Prueba normal del funcionamiento de la barra de control

1. Con el motor apagado, empuje la cortadora hasta una superficie pavimentada y protegida del viento.
2. Coloque las cuatro ruedas en la altura de corte "E" (Fig. 15).
3. Coloque el selector de velocidad sobre el terreno en la posición  (punto neutro).
4. Coja media hoja de papel de periódico y estrújela hasta hacer una pelota suficientemente pequeña como para pasar por debajo de la caja de la cortadora (aprox. 7,6 cm de diámetro) (Fig. 16).
5. Coloque la pelota de papel aproximadamente 13 cm delante de la cortadora de césped (Fig. 16).
6. Encienda el motor.
7. Empuje la barra de control hasta la posición más baja (Fig. 17).
8. Levante la barra de control hasta la posición normal de "cuchilla engranada" (aprox. 2,5 cm por debajo de la manija) (Posición A, Fig. 18). El ruido de "ventilador" que se escucha indica que la cuchilla está girando.
9. Suelte la barra de control (Posición B, Fig. 18). Se debe escuchar el sonido de golpe (bang). La cuchilla debería pararse en tres segundos.
10. Inmediatamente, empuje la cortadora sobre la pelota de papel.

11. Apague el motor.
12. Vaya hasta la parte delantera de la cortadora y busque la pelota de papel. Si la pelota no pasó por debajo de la cubierta, repita los pasos 5-11.
13. Separe la cortadora de césped. Si la pelota se desembrolla o está rasgada, indica que la cuchilla no se paró como debería, causando un funcionamiento inseguro. Póngase en contacto con su representante de servicio autorizado Toro para que inspeccionen la cortadora lo antes posible. No obstante, para detectar deterioros en el sistema EFC **antes** de que afecten el funcionamiento normal, le sugerimos que realice la prueba especial B para la barra de control que se indica a continuación.

B: Prueba especial para la barra de control

1. Con el motor apagado, empuje la cortadora hasta una superficie pavimentada y protegida del viento.
2. Coloque las cuatro ruedas en la altura de corte "E" (Fig. 15).
3. Coloque el selector de velocidad sobre el terreno en la posición **N** (punto neutro).
4. Coja media hoja de papel de periódico y estrújela hasta hacer una pelota suficientemente pequeña como para pasar por debajo de la caja de la cortadora (aprox. 7,6 cm de diámetro) (Fig. 16).
5. Coloque la pelota de papel aproximadamente 13 cm delante de la cortadora de césped (Fig. 16).
6. Encienda el motor.
7. Empuje la barra de control hasta la posición más baja (Fig. 19, posición B).
8. Suba la barra de control hasta la posición intermedia (aprox. 13 cm por debajo de la barra transversal de la manija) (Fig. 20, posición C).
Nota: Esta posición intermedia (C) no es la posición "natural" de operación de la barra de control. No obstante, ha demostrado ser útil en la detección precoz de atascos en el sistema EFC, que podrían crear condiciones de inseguridad durante el futuro funcionamiento de la cortadora.
9. Suelte la barra de control (Fig. 20, posición B).
Nota: Si se escucha un sonido fuerte, se ha subido demasiado la barra. Repita los pasos 7, 8 y 9, pero no suba la barra de control tanto como en el paso 8.
10. Inmediatamente, empuje la cortadora sobre la pelota de papel.
11. Apague el motor.
12. Vaya hasta la parte delantera de la cortadora y busque la pelota de papel. Si la pelota no pasó por debajo de la cubierta, repita los pasos 5-11.
13. Separe la cortadora de césped. Si la pelota se desembrolla o está rasgada, indica que el sistema podría estar experimentando un desgaste/deterioro que podría causar un funcionamiento inseguro. Tenga cuidado al usar la cortadora y el sistema EFC y póngase en contacto con su representante de servicio autorizado Toro para que inspeccionen la cortadora lo antes posible. Allí tendrá la garantía de que se tomarán las medidas apropiadas para reparar su cortadora y que ésta le será devuelta en perfecto estado de funcionamiento.

PELIGRO

PELIGRO POTENCIAL

- Si el sistema del Embrague del Freno de la Cuchilla no funciona, la cuchilla seguirá girando después de soltar la barra de control. Se puede producir un contacto con la cuchilla.

LO QUE PUEDE SUCEDER

- El contacto con la cuchilla puede causar serias lesiones personales, incluso la muerte.

COMO EVITAR EL PELIGRO

- Nunca utilice una cortadora de césped equipada con un sistema EFC cuyo sistema de seguridad está defectuoso.
- Si el sistema de seguridad no funciona correctamente, envíe la cortadora a su concesionario para ser reparada.

NOTA ESPECIAL: Cuando realice operaciones tales como la limpieza de la cortadora, primero debe parar el motor y desconectar el cable de la bujía. En el modelo con arranque eléctrico, retire la llave. Como con cualquier cortadora de césped, sin importar los dispositivos de seguridad o de parada de la cuchilla utilizados, el operador debe mantener su cuerpo alejado del área de corte de la cuchilla siempre que el motor de la cortadora esté funcionando, así como mantener alejados a los espectadores.

Si necesita información o asistencia adicional, no dude en ponerse en contacto con nosotros a la siguiente dirección:

The Toro Company
Attn: Customer Service Department
8111 Lyndale Avenue South
Bloomington, MN 55420-1196
(612) 887-8255

Si adquiere el juego de ensacado trasero opcional (No. de modelo 59195), puede utilizar el saco para hierba para una prueba adicional del mecanismo el Embrague del Freno de la Cuchilla.

1. Instale el saco vacío en el canal de descarga.
2. Encienda el motor.
3. Empuje la barra de control (Fig. 19) hasta la posición más baja.
4. Levante la barra de control hasta la posición normal de "cuchilla engranada", aprox. 2,5 cm por debajo de la manija. El saco debería comenzar a inflarse, indicando que la cuchilla está engranada y girando.
5. Suelte la barra de control. Si el saco no se desinfla inmediatamente, es indicación de que la cuchilla está girando todavía. Se puede haber producido un deterioro del mecanismo de Embrague del Freno de la Cuchilla, lo que podría causar de un funcionamiento inseguro. Póngase en contacto con su representante de servicio autorizado Toro para que inspeccionen la cortadora.

Mantenimiento

Un funcionamiento seguro y fiable requiere operaciones de mantenimiento regular.

Programa de mantenimiento recomendado

Pieza	Mantenimiento	Después de cada utilización	5 Horas	25 Horas	50 Horas	100 Horas
Caja	Limpiar las acumulaciones de polvo y de recortes de hierba.	X				
Tornillería	Comprobar con frecuencia la tornillería de la cuchilla y del motor. Para asegurarse de que la segadora está en perfectas condiciones de funcionamiento, mantener todas las tuercas, pernos y tornillos correctamente apretados.		X			
Lubricación	Engrasar las conexiones traseras			X		
Bujía	Inspeccionar cada 25 horas y reemplazar si fuera necesario. Reemplazar cada 100 horas de funcionamiento o una vez por temporada.			X		
Aceite del motor	Drenar y rellenar el cárter del aceite con aceite fresco después de las 5 primeras horas de funcionamiento. Más adelante, cambiar el aceite cada 50 horas de funcionamiento. Cambiar el aceite cada 25 horas cuando se trabaje en condiciones de carga pesada o de temperatura elevada.				X	
Cuchilla	Afilar o reemplazar; reparar con más frecuencia si el filo se desgasta más rápidamente debido a los terrenos desiguales o arenosos.				X	
Freno de la cuchilla	Comprobar el tiempo de frenado cada 50 horas o al comienzo de cada temporada de corte. La cuchilla debe pararse en menos de tres segundos después de soltarse la palanca, en caso contrario póngase en contacto con su representante de servicio autorizado Toro.				X	

Pieza	Mantenimiento	Después de cada utilización	5	25	50	100
			Horas	Horas	Horas	Horas
Sistema de combustible	Comprobar si existen fugas y/o deterioramiento de la manguera de combustible. En caso necesario, reemplazarla.				X	
Filtro de aire	Limpiar o reemplazar cada temporada de poda o cada 100 horas. Limpiar con más frecuencia si se trabaja en condiciones muy polvorientas.					X
Sistema de refrigeración	Limpiar las hierbas, recortes, escombros o suciedad que pueda atascar las aletas del ventilador y el sistema de arranque del motor. Limpiar con más frecuencia si se trabaja en condiciones polvorientas o con grandes cantidades de paja.					X

PRUDENCIA

PELIGRO POTENCIAL

- Si se deja el cable de la bujía conectado, es posible arrancar accidentalmente el motor.

LO QUE PUEDE SUCEDER

- El arrancado accidental del motor puede lesionar gravemente al operador o a los espectadores.

COMO EVITAR EL PELIGRO

- Desconecte el cable de la bujía antes de llevar a cabo ninguna operación de mantenimiento. Más aún, sepárelo completamente para que no pueda tocar accidentalmente la bujía.

Filtro de aire

Normalmente, limpiar el depurador de aire cada 100 horas de funcionamiento o una vez por temporada. Limpiar con más frecuencia si se trabaja en condiciones muy polvorientas o sucias. Reemplazar las piezas del depurador de aire si estuvieran muy sucias.

Importante: No haga funcionar el motor sin el filtro de aire instalado; se puede dañar o desgastar excesivamente el motor.

Nota: Si, para limpiar la cara inferior de la cortadora, inclina ésta hacia el lado equivocado, puede dañar el filtro de aire.

1. Detenga el motor y desenchufe el cable de la bujía (Fig. 8). En el modelo con arranque eléctrico, retire la llave.
2. Haga girar la perilla que asegura la tapa del depurador de aire al motor hasta que se pueda quitar la tapa. Limpie bien la tapa (Fig. 21).
3. Si el exterior del elemento de espuma de goma está sucio, sáquelo del depurador de aire (Fig. 21). Límpielo minuciosamente.
 - A. LAVE el elemento de espuma con una solución de jabón líquido y agua tibia. Exprima para sacar la suciedad, pero no lo retuerza porque podría desgarrar la espuma de goma. Enjuáguelo bien en agua limpia.
 - B. SEQUE, envolviéndolo en un trapo limpio. Exprima el trapo y el elemento de espuma para secarlo.
 - C. SATURE el elemento con 150 ml (5 oz) aproximadamente de aceite para motor 10W-30. Exprima el elemento para extraer el exceso de aceite y distribuirlo bien. Se recomienda que el elemento esté húmedo.
4. Reinstale el elemento de espuma y la tapa del depurador de aire.

Drenaje de la gasolina

1. Detenga el motor y espere a que se enfríe. Desenchufe el cable de la bujía (Fig. 8). En el modelo con arranque eléctrico, retire la llave.



ADVERTENCIA

PELIGRO POTENCIAL

- Si se derrama gasolina sobre un motor caliente, puede inflamarse.

LO QUE PUEDE SUCEDER

- El contacto con gasolina ardiendo puede causar lesiones personales graves.

COMO EVITAR EL PELIGRO

- Vacíe la gasolina solamente de un motor en frío.

2. Quite la tapa del tanque de combustible y use una bomba de sifón para vaciar el combustible a una lata limpia.

Nota: Este es el único procedimiento recomendado para vaciar el combustible.

Cambio del aceite del motor

Cambiar el aceite después de las primeras 5 horas de funcionamiento y después cada 50 horas o cada temporada. Cambiar el aceite mientras el motor esté caliente.

Nota: Cambiar el aceite cada 25 horas cuando se trabaje en condiciones de carga pesada o de temperatura elevada.

ADVERTENCIA

PELIGRO POTENCIAL

- **Al inclinar la cortadora se puede derramar combustible del carburador o del depósito de gasolina.**

LO QUE PUEDE SUCCEDER

- **La gasolina es extremadamente inflamable, altamente explosiva y, en ciertas condiciones, puede causar lesiones corporales y daños materiales.**

COMO EVITAR EL PELIGRO

- **Evite los derrames de gasolina dejando que el motor gire hasta que se seque, o vacíe el depósito con una bomba de mano, nunca con un sifón.**

1. Detenga el motor y desenchufe el cable de la bujía (Fig. 8). En el modelo con arranque eléctrico, retire la llave.
2. Vacíe la gasolina del depósito de combustible. Consulte la sección “Drenaje de la gasolina”.
3. Extraiga la varilla medidora del tubo de llenado del aceite y coloque un recipiente de drenaje a la izquierda de la cortadora.
4. Incline la cortadora sobre el lado izquierdo.
5. Vacíe el aceite desde el tubo de llenado donde se inserta la varilla medidora (Fig. 22). Utilice un recipiente adecuado para recoger el aceite. Deseche debidamente el aceite. Reciclelo siguiendo las normativas locales.
6. Enderece la cortadora.
7. Llene el cárter con aceite fresco hasta alcanzar la línea marcada con la palabra FULL en la varilla medidora. Consulte la sección “Aceite”, en el capítulo “Antes de comenzar”, para obtener las especificaciones necesarias.
8. Compruebe el nivel de aceite y vuelva a colocar la varilla medidora.
9. Limpie el aceite derramado.

Bujía


Una bujía sucia, picada, cubierta de carbón o con electrodos gastados, puede dificultar el arranque y causar un funcionamiento defectuoso.

Sacar el tapón cada 25 horas de funcionamiento y revisar su estado. Reemplazar la bujía cada 100 horas de funcionamiento o cada temporada. Utilizar una bujía Champion RC12YC o equivalente.

1. Detenga el motor y desenchufe el cable de la bujía (Fig. 8). En el modelo con arranque eléctrico, retire la llave.
2. Retire la bujía y límpiela con un cepillo de alambre para eliminar el carbón acumulado. **NO LIMPIE POR CHORRO DE ARENA.** Verifique el estado de la bujía comprobando que no hay fisuras o electrodos gastados o dañados. En caso necesario, reemplácela.
3. Gradúe la luz de la bujía a 0,76 mm (0,030 pulgadas) (Fig. 23).
4. Instale la bujía a mano y, a continuación, aplique un par de 19 N·m (14 libras-pie) (Fig. 23).
5. Una vez finalizado el mantenimiento, vuelva a enchufar el cable de la bujía.

Cable del acelerador

Puede ser necesario un ajuste del control del acelerador si el motor no arranca o no se detiene. Siempre que se instale un nuevo cable de control del acelerador, éste deberá ajustarse.

1. Detenga el motor y desenchufe el cable de la bujía (Fig. 8). En el modelo con arranque eléctrico, retire la llave.
2. Mueva el control de aceleración a la posición  (RAPIDO).
3. Afloje el tornillo de la abrazadera del cable hasta que éste se deslice (Fig. 24).
4. Mueva el cable del acelerador hacia la derecha o la izquierda hasta que los orificios de la palanca del acelerador y el soporte del acelerador estén alineados (Fig. 24).

5. Apriete el tornillo de la abrazadera del cable para trabar el ajuste.

Cable autopropulsado

Si la cortadora no se autopropulsa o tiende a moverse lentamente cuando el mecanismo de accionamiento no está engranado, ajuste la perilla de control de la tracción de las ruedas en la parte posterior de la caja de engranajes (Fig. 25).

1. Detenga el motor y desenchufe el cable de la bujía (Fig. 8). En el modelo con arranque eléctrico, retire la llave.
2. Haga girar la perilla de control 1/2 vuelta hacia la derecha si la cortadora no se propulsa sola. Si se mueve muy lentamente hacia adelante, haga girar la perilla 1/2 vuelta hacia la izquierda para aflojar la correa.
3. Tire lentamente hacia atrás de la cortadora mientras mueve gradualmente la barra de control hacia la manija. El ajuste es correcto cuando:
 - la cortadora no comienza a avanzar muy lentamente cuando se desengrana la tracción
 - la barra de control se encuentra a una distancia de la manija que resulta cómoda para la mano del operador cuando éste necesita engranar y desengranar la dirección autopropulsada.

Nota: No ajuste demasiado el cable. El cable debe estar lo suficientemente apretado como para hacer girar las ruedas cuando la barra de control se encuentra a una distancia de la manija que resulta cómoda para la mano del operario. Si lo ajusta demasiado, la acción de engranar y desengranar la dirección autopropulsada puede requerir demasiado esfuerzo por parte del operario.

Si necesita ayuda, diríjase a su representante de servicio autorizado Toro.

Cuchilla

Una cuchilla afilada y recta proporciona el mejor rendimiento de corte. Inspeccione y afile regularmente la cuchilla.

ADVERTENCIA

PELIGRO POTENCIAL

- La cuchilla está afilada.

LO QUE PUEDE SUCEDER

- El contacto con la cuchilla puede causar lesiones corporales graves.

COMO EVITAR EL PELIGRO

- Utilice guantes o envuelva los bordes afilados de la cuchilla con un trapo.

1. Detenga el motor y desenchufe el cable de la bujía (Fig. 8). En el modelo con arranque eléctrico, retire la llave.
2. Vacíe la gasolina del depósito de combustible. Consulte la sección “Drenaje de la gasolina”.
3. Inclíne la cortadora hacia el lado izquierdo (Fig. 26). Evite girar la cuchilla pues podría ocasionar problemas de arranque.
4. **INSPECCION DE LA CUCHILLA**—Inspeccione minuciosamente la cuchilla para determinar su filo y desgaste, especialmente en el área de unión de las partes planas y curvas (Fig. 27). Puesto que la arena y los materiales abrasivos pueden desgastar el metal que une las partes plana y curva de la cuchilla, es necesario examinar la condición de la cuchilla antes de usar la máquina. Si se detectan muescas o desgaste, (Fig. 27B y C), reemplace la cuchilla. Consulte el paso 5.
5. **REMOCION DE LA CUCHILLA**—Sujete el extremo de la cuchilla usando un trapo o un guante grueso. Quite las (2) tuercas de la cuchilla, la cubeta antipelusa, el acelerador y la cuchilla (Fig. 26).

ADVERTENCIA

PELIGRO POTENCIAL

- Una cuchilla gastada o dañada podría partirse y un pedazo de la misma podría ser lanzado hacia el área del operador o de un espectador.

LO QUE PUEDE SUCEDER

- Un pedazo desprendido de la cuchilla puede causar serias lesiones o la muerte al operador o a un espectador.

COMO EVITAR EL PELIGRO

- Compruebe periódicamente si la cuchilla está gastada o dañada.
- Reemplace la cuchilla gastada o dañada.

Nota: Para lograr el rendimiento óptimo, instale la cuchilla nueva antes de comenzar la temporada de corte. A lo largo del año, lime las pequeñas melladuras para mantener el borde de corte.

6. **AFILADO DE LA CUCHILLA**—Utilice una lima para afilar la cara superior de la cuchilla (la cara dirigida hacia la caja de la cortadora) y mantener el ángulo de corte original (Fig. 28). La hoja permanecerá equilibrada si se quita la misma cantidad de material de ambos bordes de corte.

IMPORTANTE: Compruebe el equilibrio de la cuchilla colocándola sobre un equilibrador para cuchilla, el cual puede adquirirse a bajo costo en una ferretería. Si la cuchilla está equilibrada, se mantendrá en posición horizontal. Si no lo está, se inclinara hacia el lado más pesado. Si la hoja de la cuchilla no está equilibrada, será necesario quitar más material del borde de corte más pesado.

7. Instale una cuchilla afilada y equilibrada, el acelerador, la cubeta antipelusa y las (2) tuercas de la cuchilla. Para asegurarse de la instalación correcta, la parte de la aleta deberá quedar hacia

la parte superior de la caja de la cortadora. Apriete las tuercas de la cuchilla a 20-37 N·m (15-27 libras-pie).

ADVERTENCIA

PELIGRO POTENCIAL

- El funcionamiento de la cortadora sin el acelerador instalado puede hacer que la cuchilla se flexione, se doble o se rompa.

LO QUE PUEDE SUCEDER

- Una cuchilla rota puede causar serias lesiones o la muerte al operador o a un espectador.

COMO EVITAR EL PELIGRO

- No opere la cortadora sin acelerador.

Lubricación

Después de cada 25 horas de funcionamiento o al concluir la temporada, es necesario lubricar las ruedas delanteras y traseras.

1. Aplique 2 ó 3 gotas de aceite ligero en la parte interior y exterior de todos los pernos de las ruedas. Haga girar las mismas para distribuir el aceite en los bujes. Limpie el exceso de aceite.
2. Lleve las palancas de altura de corte de las ruedas traseras a la graduación "C". Limpie las copillas de engrase con un trapo limpio. Instale la pistola de engrase en la copilla y aplique dos o tres bombazos de Grasa a Base de Litio Multiuso #2 (Fig. 29). El exceso de presión puede dañar los sellos y evitar que el embrague de rueda libre funcione correctamente.

Freno de la cuchilla

Siempre que se monte un nuevo cable del freno de cuchilla, éste deberá ajustarse.

1. Detenga el motor y desenchufe el cable de la bujía (Fig. 8). En el modelo con arranque eléctrico, retire la llave.

2. Afloje el tornillo de la abrazadera del cable hasta que el conducto del cable del freno se deslice (Fig. 30). Hale el cable para tensarlo, pero sin llegar a tensar el resorte. Apriete el tornillo para trabar el ajuste.

Carga de la batería

(modelo con arranque eléctrico solamente)

Si bien la batería nueva no se envía completamente cargada, una carga parcial de 4 horas proporciona energía suficiente para varios arranques. Para asegurar una carga completa, una batería nueva debe cargarse continuamente durante 72 horas. La batería también debe cargarse durante 72 horas en la primavera y cada vez que la cortadora se almacene. Durante la operación normal, el alternador del motor mantiene cargada la batería.

1. Detenga el motor y desconecte el arnés de cables del terminal de la batería (Fig. 6).
2. Si se desea, la batería puede retirarse deslizándola fuera de las trabas de montaje. Sin embargo, no es necesario retirarla si la cortadora puede colocarse cerca de un tomacorriente.
3. Conecte el electrocargador TORO a la batería y enchúfelo en un tomacorriente de 120 VCA. Después de cargar la batería durante un tiempo determinado, desenchufar el cargador y desconectarlo de la batería.
4. Conecte el arnés de cables al terminal de la batería.

Importante: Se recomienda utilizar únicamente el electrocargador TORO, pues otros cargadores podrían dañar la batería. Use siempre el cargador en interiores y, cuando sea posible, cargue la batería a una temperatura ambiente de 22°C (+70°F). No la cargue por más de 72 horas, pues podrían ocurrir daños.

Desecho de la batería

(modelo con arranque eléctrico solamente)

¡NO TIRE LAS BATERIAS USADAS EN SU CUBO DE BASURA!

ESTA BATERIA DE PLOMO (ACIDO) DEBE RECOGERSE, RECICLARSE O DESECHARSE RESPETANDO EL MEDIO AMBIENTE.

En ciertas zonas, LA LEY PROHIBE incinerar, enterrar o mezclar las baterías de plomo (ácido) con los vertidos municipales.

Envíe esta batería a una empresa de reciclado de baterías de plomo (ácido) homologada federal o estatalmente. Es posible que el lugar donde adquirió la batería sea una de ellas.

Póngase en contacto con los encargados de la manipulación de los vertidos municipales para obtener información adicional sobre la recogida, reciclado y desecho de este tipo de baterías de una forma compatible con el medio ambiente.

Limpieza

Tapón

(Modelo 20475 & 20476 únicamente)

Para asegurar el óptimo rendimiento, el tapón del canal de descarga debe limpiarse después de cada uso. Cuando la hierba es tupida y exuberante, los recortes pueden adherirse al tapón y alrededor de éste; esto dificultaría la remoción del tapón. Después de cada uso, quite el tapón del canal de descarga y quite todos los desperdicios.

Canal de descarga

(Modelo 20475 & 20476 únicamente)

Cerciórese siempre de que la puerta del canal de descarga trabe en la posición cerrada cuando se suelta su asa. Si la basura impide que la puerta cierre bien, limpie minuciosamente el interior del canal de descarga y de la puerta.

ADVERTENCIA

PELIGRO POTENCIAL

- **Por un canal de descarga abierto pueden salir disparados recortes de hierba y otros objetos.**

LO QUE PUEDE SUCEDER

- **Los objetos lanzados pueden producir serias lesiones o causar la muerte del operador o los espectadores.**

COMO EVITAR EL PELIGRO

- **Nunca arranque o opere la cortadora de césped a no ser que se cumpla una de las siguientes condiciones:**
 1. **El tapón del canal de descarga está seguramente instalado en la canaleta de descarga.**
 2. **El saco para hierba está correctamente instalado.**
 3. **El aditamento de descarga lateral está correctamente instalado.**
 4. **La puerta del canal de descarga está correctamente cerrada.**

Parte inferior de la caja de la cortadora

Para asegurar el óptimo rendimiento, mantenga limpia la parte inferior de la caja de la cortadora. Tenga especial cuidado en mantener los deflectores limpios de escombros (Fig. 31).

Método de lavado

Siempre que necesite limpiar la parte inferior de la cortadora, siga el procedimiento siguiente para eliminar los escombros de la parte inferior de la cortadora.

1. Coloque la cortadora sobre una superficie plana de cemento o asfalto, cerca de una manguera de jardín.
2. Encienda el motor.

3. Enganche la cuchilla.
4. Mantenga la manguera de jardín funcionando a nivel del mango y dirija el agua para que corra en el suelo justo enfrente del neumático posterior derecho (Fig. 32). La cuchilla giratoria extraerá el agua debajo de la caja y limpiará los recortes. Deje que el agua corra durante unos minutos o hasta que no se vean recortes lavados de la parte inferior de la caja.
5. Desenganche la cuchilla.
6. Detenga el motor.
7. Cierre la manguera de jardín.
8. Vuelva a arrancar la cortadora y déjela funcionando durante unos minutos para secar la humedad de la cortadora y de sus componentes. Mientras el motor está funcionando, enganche y desenganche varias veces el sistema de tracción, con el fin de secarlos.

Método de rascado

Si el lavado no elimina toda la basura de la parte inferior de la caja, incline la cortadora y rasque la suciedad hasta que ésta quede limpia.

1. Detenga el motor y desenchufe el cable de la bujía (Fig. 8). En el modelo con arranque eléctrico, retire la llave.
2. Vacíe la gasolina del depósito de combustible. Consulte la sección “Drenaje de la gasolina”.
3. Inclíne la cortadora hacia el lado izquierdo (Fig. 26).
4. Quite la suciedad y recortes de hierba adheridos a la caja con un raspador de madera dura. Tenga cuidado con las rebabas y bordes afilados.
5. Enderece la cortadora.
6. Rellene el tanque de gasolina.
7. Vuelva a conectar el cable de la bujía.

Tapa de la correa

Mantenga el área situada por debajo de la tapa de la correa libre de basura.

1. Detenga el motor y desenchufe el cable de la bujía (Fig. 8). En el modelo con arranque eléctrico, retire la llave.
2. Con el motor apagado, quite los tornillos que aseguran la tapa de la correa a la caja de la cortadora (Fig. 33).
3. Levante la tapa y cepíllela para eliminar toda la basura de las proximidades de la correa.
4. Vuelva a colocar la tapa de la correa.

Limpieza de la guarda del embrague del freno de la cuchilla

La guarda del EFC (Embrague del freno de la cuchilla) debe limpiarse periódicamente durante la temporada de poda y al final de cada temporada, con el fin de garantizar el máximo rendimiento y evitar el desgaste de las piezas.

1. Detenga el motor y desenchufe el cable de la bujía (Fig. 8). En el modelo con arranque eléctrico, retire la llave.
2. Vacíe la gasolina del depósito de combustible. Consulte la sección "Drenaje de la gasolina".
3. Incline la cortadora hacia el lado izquierdo (Fig. 26).
4. Saque las (2) tuercas de la cuchilla, la cubeta antipelusa, el acelerador, la cuchilla, el espaciador de la cuchilla y las (3) arandelas y pernos que sujetan la guarda del EFC a la cubierta de la cortadora (Fig. 26).
5. Cepille o sople para eliminar la basura acumulada en el interior de la guarda.

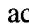

6. Vuelva a instalar la guarda del EFC con los (3) pernos y arandelas, el espaciador de la cuchilla, la cuchilla, el refuerzo de la cuchilla, la cubeta antipelusa y las (2) tuercas de la cuchilla.
7. Vuelva a conectar el cable de la bujía.

Ajustes del carburador

El carburador de este motor pertenece al tipo de baja emisión. Está equipado con una válvula de mezcla en régimen de ralentí con un limitador (Fig. 34), que permite cierto margen de ajuste, y un tornillo de ajuste de la velocidad en ralentí.

Ajustes

NO AJUSTE EL TORNILLO DE VELOCIDAD SUPERIOR. Viene ajustado de fábrica.

1. Ponga en marcha el motor y déjelo calentar durante 5 minutos antes de efectuar el ajuste.
2. Con el motor en marcha, coloque el control del acelerador  en la posición SLOW.
3. Gire la palanca de gases del carburador contra el tornillo de velocidad de ralentí y manténgala en esa posición.
4. Gire el tornillo de velocidad de ralentí hasta obtener 1750 rpm.
5. Gire a tope la válvula de mezcla del régimen de ralentí en el sentido de las agujas del reloj y, a continuación, en sentido contrario.
6. Por último, coloque la válvula de mezcla del régimen en ralentí a medio recorrido.
7. Compruebe la velocidad de ralentí y, si fuera necesario, vuelva a ajustarla a 1750 rpm.
8. Mueva el control del acelerador hasta la posición  FAST. El motor debería acelerar suavemente. En caso contrario, gire la válvula de mezcla de régimen en ralentí 1/8 de vuelta en sentido contrario a las agujas del reloj.

Almacenamiento

Para preparar la cortadora de césped para su almacenamiento fuera de temporada, siga los procedimientos de mantenimiento recomendados. Consulte la sección “Mantenimiento”.

Guarde la cortadora en un lugar frío, limpio y seco. Cúbrela para mantenerla limpia y protegida.

Combustible

ADVERTENCIA

PELIGRO POTENCIAL

- Si se almacena durante un período prolongado de tiempo, la gasolina puede evaporarse.

LO QUE PUEDE SUCEDER

- El combustible evaporado puede explotar si entra en contacto con una llama desnuda.

COMO EVITAR EL PELIGRO

- No almacene gasolina (combustible) durante períodos prolongados de tiempo.
- No guarde la cortadora de césped conteniendo combustible en el depósito en un recinto cerrado con una llama desnuda. (Por ejemplo: un horno o la llama piloto de un calentador de agua).
- Espere a que se enfríe el motor antes de guardar la cortadora en un recinto cerrado.

Para un almacenamiento de larga duración, vacíe la gasolina del tanque de combustible o añádale un aditivo. Para vaciar la gasolina, consulte la sección “Drenaje de la gasolina”. Después de vaciar el combustible, encienda el motor y déjelo funcionar sin carga hasta que consuma todo el combustible y se detenga. Repita el procedimiento de arranque dos veces más para garantizar que se haya eliminado toda la gasolina del motor. Si no se vacía la gasolina, se

formarán depósitos gomosos, como barniz, que causarán una operación deficiente del motor e incluso problemas de arranque.

Nota: Si el motor está funcionando con gasolina oxigenada o reformulada (gasolina mezclada con alcohol o un éter), antes de almacenar la máquina, retire todo el combustible del depósito y haga funcionar el motor hasta que se detenga por falta de combustible.

Se puede dejar combustible en el tanque sólo si se agrega un aditivo a la gasolina, como el estabilizador/acondicionador de Toro antes de almacenar la cortadora. El estabilizador/acondicionador de Toro es un producto a base de destilado de petróleo. Toro no recomienda estabilizadores a base de alcohol, tales como el etanol, metanol o isopropilo. Use el aditivo en las cantidades recomendadas que se especifican en el recipiente.

Motor

1. Mientras el motor todavía esté caliente, vacíe el aceite del cárter. Consulte el capítulo “Mantenimiento”, sección, “Cambio del aceite del motor”.
2. Retire el cable de la bujía. Utilizando una aceitara, introduzca aproximadamente una cucharada de aceite a través del orificio de la bujía.
3. Lentamente, gire varias veces el motor usando la cuerda de arranque, para distribuir el aceite.
4. Vuelva a colocar la bujía, pero NO conecte el cable de la bujía.

Limpieza

1. Limpie la cortadora. Consulte el capítulo “Mantenimiento”, sección “Limpieza”.
2. Elimine la basura y carbonilla del cilindro, las aletas del cabezal del cilindro y la caja de la sopladora. Quite también los recortes de hierba,

suciedad y mugre de las partes externas del motor, cubierta y la parte superior de la caja de la cortadora.

3. Limpie el filtro de aire. Consulte el capítulo “Mantenimiento”, sección “Filtro de aire”.

General

1. Compruebe el estado de la cuchilla. Consulte el capítulo “Mantenimiento”, sección “Cuchilla”.
2. Apriete todas las tuercas, pernos y tornillos.
3. Lubrique las ruedas. Consulte el capítulo “Mantenimiento”, sección “Lubricación”.
4. Cargue la batería. Consulte el capítulo “Mantenimiento”, sección “Carga de la batería”.
5. Repinte todas las superficies oxidadas o que tengan la pintura pelada.

Retirada del lugar de almacenamiento

1. Compruebe y apriete todas las piezas de sujeción.
2. Retire la bujía y, utilizando el interruptor de arranque, haga girar el motor a gran velocidad para eliminar el exceso de aceite del cilindro. Limpie la bujía o reemplácela si estuviera agrietada, rota o los electrodos estuvieran desgastados.
3. Instale la bujía y aplique un par torsor de 19 N·m (14 libras-pie).
4. Efectúe los procedimientos de mantenimiento recomendados. Consulte la sección “Mantenimiento”.
5. Llene el depósito de combustible con gasolina limpia y fresca.
6. Compruebe el nivel de aceite del motor.
7. Vuelva a conectar el cable de la bujía.

Accesorios

Para condiciones especiales, puede adquirir los accesorios siguientes con su Representante de Servicio Autorizado Toro.

1. **Kit de saco trasero, Modelo No. 59192 para modelos empujados a mano, Modelo 59195 para modelos autopulsados)** — Instalar el canal de descarga y el saco para hierba de montaje posterior para convertir la cortadora Recycler® en una cortadora de ensacado posterior (Fig. 35). Incluye el tapón del canal de descarga.
2. **Equipo de Descarga Lateral, Modelo No. 59197** — Se instala en segundos. Montaje trasero en el lugar del saco para hierba o del tapón del canal de descarga. Dispersa los recortes al tiempo que recorta a ambos lados (Fig. 36).
3. **Supresor de Chispas, (Pieza No. 81-0200)** — Si fuera necesario un supresor de chispas debido a reglamentos locales, estatales o federales, éste puede adquirirse con un Representante de Servicio Autorizado TORO. Limpie la rejilla después de cada 75 horas de funcionamiento. Si la cortadora se usa en cualquier terreno de California cubierto de bosques, arbustos o hierba sin un supresor de chispas que funcione correctamente, el operador está violando la ley estatal, Sección 4442 del Código de Recursos Públicos.

Garantía de control de emisiones en el estado de California

Una garantía limitada de dos años

Derechos y deberes relacionados con su garantía

El Departamento de recursos relacionados con el aire del estado de California y Toro se complacen en explicarle la garantía que acompaña al sistema de control de emisiones con el que está equipado el motor de su equipo de jardinería y cortadora de césped de 1995. En el estado de California, los motores para los nuevos equipos de jardinería y cortadoras de césped deben estar diseñados, fabricados y equipados siguiendo las rigurosas normas anti humos de dicho estado. Toro debe garantizar el sistema de control de emisiones de su motor por el período de tiempo que se indica a continuación siempre que no hay habido abuso, negligencia o mantenimiento inadecuado del motor.

Es posible que su sistema de control de emisiones incluya piezas tales como el carburador, el sistema de encendido, las mangueras, las correas, los conectores y otros dispositivos relacionados con las emisiones.

En los casos en que se aplique la garantía, Toro reparará el motor de su equipo de jardinería sin cargo alguno incluyendo el diagnóstico, las piezas y la mano de obra.

Cobertura de la garantía del fabricante:

Los motores del equipo de jardinería de 1995 y posteriores vendidos en el estado de California, están garantizados por dos años. Si alguna pieza de su motor relacionada con las emisiones está defectuosa, Toro reparará o reemplazará dicha pieza.

Responsabilidades del propietario de la garantía:

- Como propietario del motor, Vd. es responsable de realizar las operaciones de mantenimiento incluidas en su manual de propietario. Toro recomienda que conserve todos los recibos relativos a servicios de mantenimiento de su equipo, pero Toro no puede negar su responsabilidad respecto a la garantía exclusivamente por motivos de ausencia de recibos o por su incapacidad de probar que se han cumplido los programas de mantenimiento requeridos.
- No obstante, como propietario del motor, debe ser consciente que Toro puede negar su responsabilidad en la cobertura de su garantía si el motor, o alguna pieza ha fallado debido al abuso, la negligencia, un mantenimiento incorrecto o la modificación inautorizada de las piezas.
- Vd. es responsable de presentar el motor de su equipo en un Concesionario de servicio TORO tan pronto como aparezca el problema. Las reparaciones cubiertas por la garantía se efectuarán en un período razonable de tiempo, sin exceder los 30 días.
- Si tiene alguna duda sobre los derechos que le concede su garantía y las obligaciones que representa o necesita una carta de presentación para un Concesionario de servicio TORO, póngase en contacto con nosotros en la siguiente dirección:

Toro Customer Service Department
8111 Lyndale Avenue South
Bloomington, MN 55420-1196
612-888-8801
800-348-2424

Piezas garantizadas:

El período de garantía entra en vigor en la fecha de entrega del motor o del equipo al comprador. El fabricante garantiza al propietario original y a cada uno de los siguientes propietarios que el motor está exento de defectos, tanto de material como de mano de obra, que podrían causar el fallo de una pieza garantizada por un período de dos años. Los daños causados por el abuso, la negligencia o un mantenimiento incorrecto no estarán cubiertos por la garantía. El uso de piezas modificadas o que hayan sido añadidas al equipo puede establecer las bases del rechazo de una petición de garantía. El fabricante no es responsable de cubrir los fallos del equipo o de las piezas garantizadas consecuencia del uso de piezas añadidas o modificadas. El propietario es responsable de que se realice el mantenimiento requerido, en los términos descritos por las instrucciones escritas del fabricante.

Cualquier pieza cubierta por la garantía que no haya alcanzado el momento necesario para su reemplazo, y que en el programa de mantenimiento esté marcada como “Reparar o reemplazar si fuera necesario”, está garantizada durante el período de garantía. Cualquier pieza garantizada que deba ser reemplazada según el programa de mantenimiento estará garantizada durante el período de tiempo transcurrido hasta el momento en que deba ser reemplazada por primera vez. Cualquier pieza de repuesto que sea equivalente en rendimiento o durabilidad puede ser utilizada en los servicios de mantenimiento o reparaciones no garantizados y no reducirán las obligaciones del fabricante relativas a la garantía. La cobertura de esta garantía se extiende únicamente a las piezas que se mencionan a continuación (piezas del sistema de emisiones) hasta el punto de que estas piezas estaban presentes en el motor en el momento de su adquisición.

- Sistema de medida del combustible
 - Sistema de arranque en frío enriquecido incluyendo el mecanismo obturador o el sistema de cebado
 - Bomba de combustible
 - Sistema de realimentación de la relación aire/combustible
 - Carburador y piezas internas

- Sistema de inducción de aire
 - Depurador de aire
 - Sistema de admisión del carrete
 - Colector de admisión
 - Sistema controlado de admisión de aire caliente

- Sistema de encendido
 - Bujía(s)
 - Bobinas de encendido y sistema electrónico
 - Mecanismos de avance/retardo

- Convertidor catalítico/sistema del reactor térmico
 - Convertidor catalítico
 - Reactor térmico
 - Colector de escape

- Sistema de inyección de aire
 - Sistema de inyección de aire o válvula de impulso
 - Válvulas que afectan la distribución de aire

- Sistema de recirculación de los gases de escape (EGR)
 - Cuerpo de la válvula EGR y sistema de tuberías que conectan el lado de admisión del motor
 - Sistema de control EGR

- Controles de partículas
 - Filtros colectores, precipitadores y otros dispositivos utilizados para capturar las emisiones de partículas

- Elementos variados utilizados en los sistemas anteriores
 - Válvulas e interruptores de vacío, térmicas y temporizadoras
 - Controles electrónicos
 - Mangueras, conectores y conjuntos similares

¿Cómo se obtiene el Servicio de garantía?:

Si cree que su producto TORO requiere de un servicio que está cubierto por la garantía, póngase en contacto con el comercio donde adquirió el producto o cualquier concesionario autorizado de servicio TORO o con el Concesionario central de servicio de TORO. Las páginas amarillas de su guía telefónica son una excelente referencia. El concesionario organizará las disposiciones necesarias para efectuar las reparaciones en su establecimiento o le recomendará otro concesionario autorizado de servicio que le resulte más conveniente. Puede ser necesario presentar una prueba de compra (copia del cupón de registro, recibo de venta, etc.) para la validación de la garantía. El propietario no estará a cargo de los gastos ocasionados por la labor de diagnóstico que conduzca a determinar que la pieza garantizada es defectuosa, si dicha labor de diagnóstica ha sido realizada en un taller de garantía.

Toro Company declina cualquier responsabilidad , en caso de daños indirectos, fortuitos o resultantes relacionados con la utilización de los productos TORO cubiertos por esta garantía, incluyendo cualquier coste o gasto relacionado con el suministro de equipo de sustitución o servicio durante los períodos de malfuncionamiento o inactividad razonables durante el transcurso de las reparaciones cubiertas por esta garantía. Ciertos estados no permiten la exclusión de daños directos o indirectos, por ello, es posible que la exclusión anterior no se pueda aplicar a su caso en particular.

Esta garantía le concede determinados derechos legales, pero puede usted tener también otros derechos que varíen de país a país.

La política de Toro es diseñar y fabricar productos de la más alta calidad. Para garantizar la satisfacción del cliente, Toro ofrece una extensa cobertura de garantía para sus productos. Su producto impulsado por un Motor GTS de TORO está cubierto por dos garantías. La Garantía de Cobertura Total de Toro constituye nuestra declaración de garantía estándar y la encontrará impresa en la última hoja de este manual.

Además de la Garantía de Cobertura Total de Toro, estamos tan seguros de que el Motor GTS de TORO le proporcionará un rendimiento y durabilidad de alto nivel, que le ofrecemos una *Garantía de Arranque*. Le rogamos lea los detalles de esta garantía de cobertura adicional que aparece a continuación.

LA GARANTIA DE ARRANQUE TORO

*Una Garantía Limitada de 5 Años
en Todos los Motores GTS-5*

¿Qué está cubierto?

La Compañía Toro garantiza que su Motor GTS-5 TORO arrancará al halar la cuerda por primera o segunda vez durante cinco años desde la fecha de su adquisición—siempre y cuando se respeten los servicios de mantenimiento requeridos—o nosotros lo repararemos. Se incluye el costo de las piezas y la mano de obra, pero usted deberá pagar los costos de envío. Esto cubre los motores GTS-5 TORO para las cortadoras de césped rotatorias.

¿Qué debe hacer usted para mantener vigente la garantía?

Debe mantener su Motor GTS-5 TORO siguiendo el programa de mantenimiento recomendado en el manual del operario, a su propio coste. Se deben registrar estos servicios en el cuadro de mantenimiento suministrado en su manual del operario y conservar el comprobante de compra.

¿Cómo obtener servicio?

Si el arranque de su motor TORO GTS-5 se afectase hasta el punto de no arrancar al halar la cuerda una o dos veces un adulto normal y en buenas condiciones físicas, usted deberá seguir los siguientes procedimientos:

1. Póngase en contacto con cualquier Concesionario de Servicio Autorizado TORO, Concesionario de Servicio Maestro TORO, o Distribuidor TORO (le recomendamos consultar las Páginas Amarillas de su guía telefónica).
2. Esta persona le indicará que le entregue el producto a su taller o le recomendará otra agencia de servicio TORO autorizada que pueda serle más conveniente.
3. Llevar el producto, su historial de mantenimiento y comprobante de compra al representante de servicio.

Si, por cualquier motivo, no queda satisfecho con el análisis del Concesionario o el estado de arranque de su motor, o de la asistencia recibida, no dude en ponerse en contacto con nosotros a la siguiente dirección:

TORO Customer Service Department
8111 Lyndale Avenue South
Minneapolis, Minnesota 55420

¿Qué no está cubierto por esta garantía?

Esta garantía no cubre:

1. Reparaciones a productos usados comercialmente.
2. Mantenimiento normal, incluyendo el cambio de bujías, filtro de aire, filtro de combustible y ajustes del carburador.
3. Cambio de aceite y lubricación.
4. Reparaciones o ajustes debidos a:
 - a. No seguir los procedimientos adecuados de mantenimiento;
 - b. Que la cuchilla rotatoria golpee un objeto;
 - c. Contaminantes en el sistema de combustible;
 - d. Combustible inadecuado o mezcla inadecuada de combustible (si tiene dudas, consulte su manual del propietario)
 - e. No drenar el sistema de combustible antes de dejar la máquina desatendida durante períodos de más de tres meses;
 - f. Uso indebido, descuido o accidentes en la operación;
 - g. Reparaciones o intentos de reparaciones hechas por personas que no sean representantes de servicio TORO autorizados.
5. Condiciones operativas especiales en que tal vez haya que tirar de la cuerda más de dos veces para arrancar el motor, incluyendo:
 - a. Primer arranque después de un período prolongado sin usar o de un almacenamiento estacional;
 - b. Los arranques en temperaturas frías como las que ocurren a principios de la primavera y fines del otoño pueden requerir tirar de la cuerda una o dos veces adicionales (se aplica solamente a los productos giratorios);
 - c. Procedimientos de arranque incorrectos. Si usted confronta dificultades para arrancar su unidad, sírvase consultar el manual del operador para cerciorarse de que está siguiendo los procedimientos de arranque correctos. Esto podría evitarle una visita innecesaria al representante de servicio.

Todas las reparaciones bajo garantía reembolsables al amparo de esta garantía deben ser efectuadas por un representante de servicio TORO autorizado que use piezas de repuesto TORO aprobadas.

El remedio anterior de reparación por un representante de servicio TORO autorizado es el único recurso del comprador.

¿Qué efecto tiene la Ley Estatal sobre esta Garantía?

No hay otra garantía expresa excepto la Garantía de Cobertura Total de Toro. Todas las garantías implícitas en el momento de la compra (que el producto es adecuado para el uso ordinario) y capacidad para el uso (que el producto es adecuado para un uso en particular) están limitadas al período de duración de la garantía expresa.

Ciertos estados no permiten la limitación de la duración de la garantía implícita, por ello, es posible que la limitación anterior no se pueda aplicar a su caso en particular.

La Compañía Toro declina cualquier responsabilidad en caso de daños directos o indirectos relacionados con la utilización de los productos cubiertos por esta garantía, incluyendo cualquier coste ocasionado por el reemplazo de accesorios o las reparaciones durante un período de tiempo razonable de funcionamiento defectuoso o de no utilización.

Ciertos estados no permiten la exclusión de daños directos o indirectos, por ello, es posible que la exclusión anterior no se pueda aplicar a su caso en particular.

Esta garantía le proporciona derechos legales específicos. También se puede beneficiar de otros derechos que varían de un estado a otro.



Cortadoras
empujadas

LA GARANTIA DE RENDIMIENTO DE TORO

Garantía Completa

(Garantía limitada para aplicaciones comerciales)

¿Qué es lo que cubre esta Garantía Exprés?

Toro promete reparar cualquier producto TORO utilizado para fines residenciales normales* si hay defectos en los materiales o la mano de obra o si para de funcionar debido al fallo de un componente. Los siguientes periodos de tiempo se aplican desde la fecha de compra:

- Cortadoras empujadas Super Recycler® 5 años de completa garantía
- Las demás 2 años de completa garantía

Se incluye el coste de las piezas y el trabajo, pero el cliente paga los costes de transporte.

¿Qué productos se cubren por esta Garantía?

Esta garantía corresponde a todas las cortadoras alimentadas con gasolina empujadas por el consumidor. Los productos en que monta y los empujados para áreas anchas están cubiertos por declaraciones de garantías distintas.

¿Y qué sobre el uso comercial?

Los Productos para el Consumidor TORO que se utilicen para fines comerciales, institucionales o de alquiler están garantizados en cuanto a defectos en materiales o mano de obra. Los componentes que fallan debido al desgaste normal no están cubiertos por esta garantía. The following time periods apply from the date of purchase:

- | Productos | Plazo de la garantía |
|--|------------------------------|
| • Cortadoras empujadas, labor comercial, de 21 pulg. | Garantía limitada de 1 año |
| • Los demás | Garantía limitada de 45 días |

¿Cómo se obtiene el Servicio de garantía?

Si cree que su Producto TORO precisa del servicio bajo garantía, comuníquese con el concesionario que le vendió el producto o con cualquier Concesionario de Servicio de TORO o Concesionario de Servicio Master de TORO Autorizado. Las Páginas Amarillas de la lista de teléfonos es una buena fuente de referencia. El concesionario dispondrá el servicio en su propio establecimiento o recomendará otro Concesionario de servicio autorizado que pueda ser más conveniente. Usted necesitará presentar pruebas de la compra (copia de la tarjeta de registro, recibo de venta, etc.) para validar la garantía.

Si por cualquier razón no está satisfecho con el análisis del Concesionario de servicio sobre el defecto en materiales o mano de obra o si necesita referencias para un Concesionario de servicio TORO, sírvase ponerse en contacto con nosotros en la siguiente dirección:

Toro Customer Service Department
8111 Lyndale Avenue South
Bloomington, MN 55420-1196
612-888-8801
800-348-2424

¿Qué debe usted hacer para mantener la garantía en vigor?

Debe mantener su producto TORO siguiendo los procedimientos de mantenimiento descritos en el manual del operador. Dicho mantenimiento de rutina, realizado por un concesionario o por usted mismo, es a su cargo.

¿Qué es lo que no cubre esta garantía?

y

¿Cómo se relaciona la ley de su país a esta garantía?

No hay garantías explícitas adicionales a excepción de la Garantía de Arranque de TORO para los motores GTS. Esta garantía exprés no cubre:

- El coste del servicio de mantenimiento normal o las piezas, tales como filtros, combustible, lubricantes, cambios de aceite, bujías, afilado de cuchillas, cuchillas muy estropeadas, ajustes de cable/varillaje o ajustes de frenos y embrague.
- Cualquier producto o pieza que haya sido alterado o mal utilizado o requiera ser sustituido o reparado debido a accidentes o falta del adecuado mantenimiento.
- Reparaciones necesarias debido a combustible inadecuado, contaminantes en el sistema de combustible, o fallo para preparar debidamente el sistema de combustible antes de cualquier periodo de no utilización superior a tres meses.
- Gastos de recogida y entrega.

Todas las reparaciones cubiertas por esta garantía deben ser efectuadas por un Concesionario de servicio TORO autorizado utilizando piezas de repuesto homologadas Toro.

La reparación por un Concesionario de servicio TORO autorizado es su único remedio bajo esta garantía.

Toro no es responsable por daños indirectos, incidentales o emergentes en conexión con el uso de los productos TORO cubiertos por esta garantía, incluyendo cualquier coste o gasto de proveer equipo sustitutivo o servicio durante razonables periodos de funcionamiento defectuoso o no uso durante la realización de reparaciones bajo esta garantía. Algunos países no permiten exclusiones de daños incidentales o emergentes, de modo que la exclusión anterior puede que no se aplique a usted.

Esta garantía le concede determinados derechos legales, pero puede usted tener también otros derechos que varíen de país a país.

* Fines residenciales normales significa cortando el césped en la misma parcela que su casa. La utilización en más de un lugar se considera como uso comercial y se aplicaría la garantía de uso comercial.

PAISES QUE NO SEAN LOS ESTADOS UNIDOS O CANADA

Los clientes que hayan adquirido los productos Toro exportados de los Estados Unidos o de Canadá, deben establecer contacto con su distribuidor (concesionario) local Toro para obtener los criterios de garantía para su país, provincia o estado. Si, por alguna razón, no está satisfecho con la asistencia de su distribuidor o tiene dificultades para obtener la información relativa a la garantía, póngase en contacto con el importador Toro. Si, a pesar de todo, no obtiene la información necesaria, póngase en contacto directo con la compañía Toro.

