



Count on it.

Operator's Manual

**Mauser KS-534 Full Safety Cab
CT2240/LT3340 and Groundsmaster® 3400
Mowers**

Model No. 02890—Serial No. 315000001 and Up



This product complies with all relevant European directives. For details, please see the Declaration of Incorporation (DOI) at the back of this publication.



Figure 2

1. Safety alert symbol

Introduction

This manual provides instructions for the operation and operator maintenance of the Full Safety Cab.

The Full Safety Cab provides the operator with rollover protection (conforming to ISO:21299) and full weather protection. The Cab is supplied complete with a heating system for operator comfort and to de-mist the windscreen and a sound reduction kit to reduce operator noise levels.

Read this information carefully to learn how to operate and maintain your product properly and to avoid injury and product damage. You are responsible for operating the product properly and safely.

You may contact Toro directly at www.Toro.com for product safety and operation training materials, accessory information, help finding a dealer, or to register your product.

Whenever you need service, genuine Toro parts, or additional information, contact an Authorized Service Dealer or Toro Customer Service and have the model and serial numbers of your product ready. Figure 1 identifies the location of the model and serial numbers on the product. Write the numbers in the space provided.

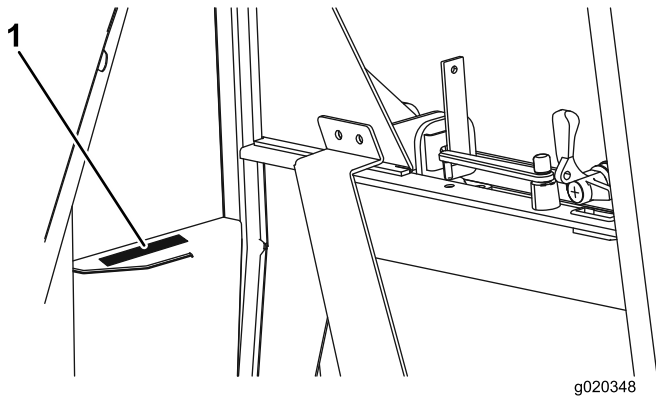


Figure 1

1. Model and serial number location

Model No. _____
Serial No. _____

This manual identifies potential hazards and has safety messages identified by the safety alert symbol (Figure 2), which signals a hazard that may cause serious injury or death if you do not follow the recommended precautions.

This manual uses 2 words to highlight information. **Important** calls attention to special mechanical information and **Note** emphasizes general information worthy of special attention.

Contents

- Safety 3
 - Maximum Slope Angles of Mowers with Cab..... 3
 - Noise Level 3
 - Safety and Instructional Decals 4
- Product Overview 8
 - Controls 8
- Operation 9
 - Operating the Heating System 9
 - Operating the Screen Wiper and Washer 9
 - Filling the Screen Washer Bottle 9
 - Operating the Windows 9
 - Operating the Doors..... 9
 - Adjusting the Mirrors.....10
- Maintenance11
 - Tilting the Cab11
 - Locating the Fuses.....11
 - Washing the Machine and Cab12

Safety

⚠ WARNING

Before working on the machine it is essential that:

- You read the traction unit *Operator's Manual*.
- The engine is switched off.
- The parking brake is applied.
- There is no pressure in the hydraulic system.
- The cutting units are fully down on the ground.

⚠ WARNING

Working on the machine without the appropriate personal protection equipment increases your risk of injury.

When carrying out maintenance operations always use the appropriate personal protection equipment.

⚠ WARNING

Working on the machine without the safety support bracket increases your risk of injury.

Before carrying out maintenance underneath the operator platform and cab, ensure that the safety support bracket is installed.

⚠ WARNING

The electrical system of the machine could shock you and cause personal injury.

Before working on the machine electrical systems, always disconnect the battery terminals (negative terminal first) and ensure that no contact is made between the terminals and metal parts of the machine.

Important: Always wear the seat belt when the safety cab is installed.

Important: Refer to your machine *Operator's Manual* for advice and guidance when operating a mower on slopes.

To ensure optimum performance and continued safety certification of the machine, use only genuine Toro replacement parts and accessories. Replacement parts and accessories made by other manufacturers could be dangerous, and such use could void the product warranty.

Maximum Slope Angles of Mowers with Cab

This cab can be fitted to the mowers listed at the front of this document. When fitted with a cab, each mower model has a different maximum slope angle and this is stated on the decal located on the lid of the storage pod on the left of the machine. Refer to [Safety and Instructional Decals \(page 4\)](#) for the correct maximum slope angle decal for your machine when fitted with a cab. Refer to your machine Operator Manual for the explanation of the symbols on this decal.

Noise Level

Operator's Daily Personal Noise Exposure: Toro has no control over site conditions, duration of use, degree of cab doors/windows, state of maintenance, or adjustment of the machine. All of these factors will affect the operator's daily personal exposure level.

Under typical working conditions, operators could be exposed to a daily personal noise exposure level in excess of 80 dBA.

Ear protection with good attenuation in the 63 to 8000 Hz frequency range should be used.

Employers of personnel using this machine are advised to read the "Physical agents (noise) Directive" as the operators daily personal exposure level could be above the "First Action Level".

Sound Pressure Level

Model CT2240

These units have a sound pressure level at the operator's ear of 83 dBA, which includes an Uncertainty Value (K) of 2 dBA.

Sound pressure level was determined according to the procedures outlined in EN ISO 5395.

Model LT3340

This unit has a sound pressure level at the operator's ear of 83 dBA, which includes an Uncertainty Value (K) of 2 dBA.

Sound pressure level was determined according to the procedures outlined in EN ISO 5395.

Model GM3400

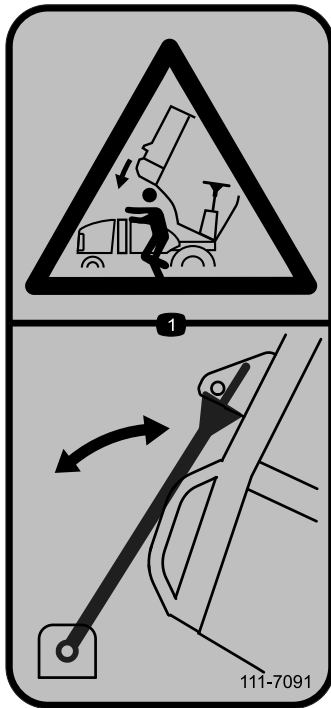
This unit has a sound pressure level at the operator's ear of 86 dBA, which includes an Uncertainty Value (K) of 2 dBA.

Sound pressure level was determined according to the procedures outlined in EN ISO 5395.

Safety and Instructional Decals

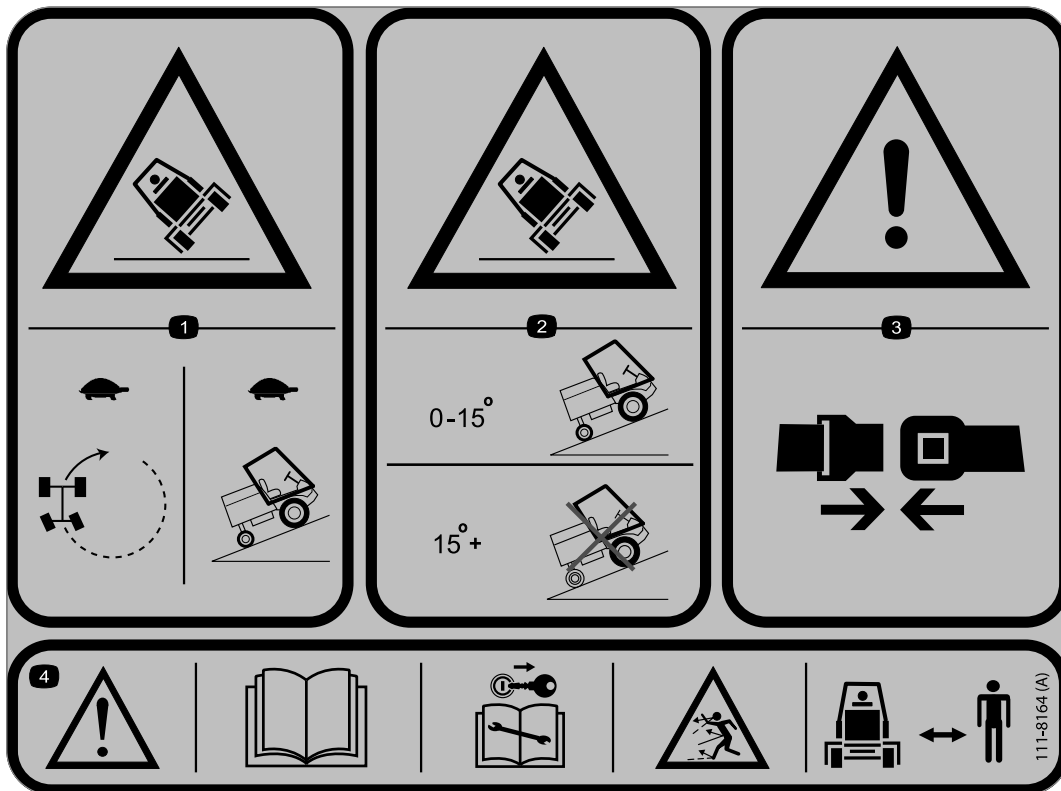


Safety decals and instructions are easily visible to the operator and are located near any area of potential danger. Replace any decal that is damaged or lost.



111-7091

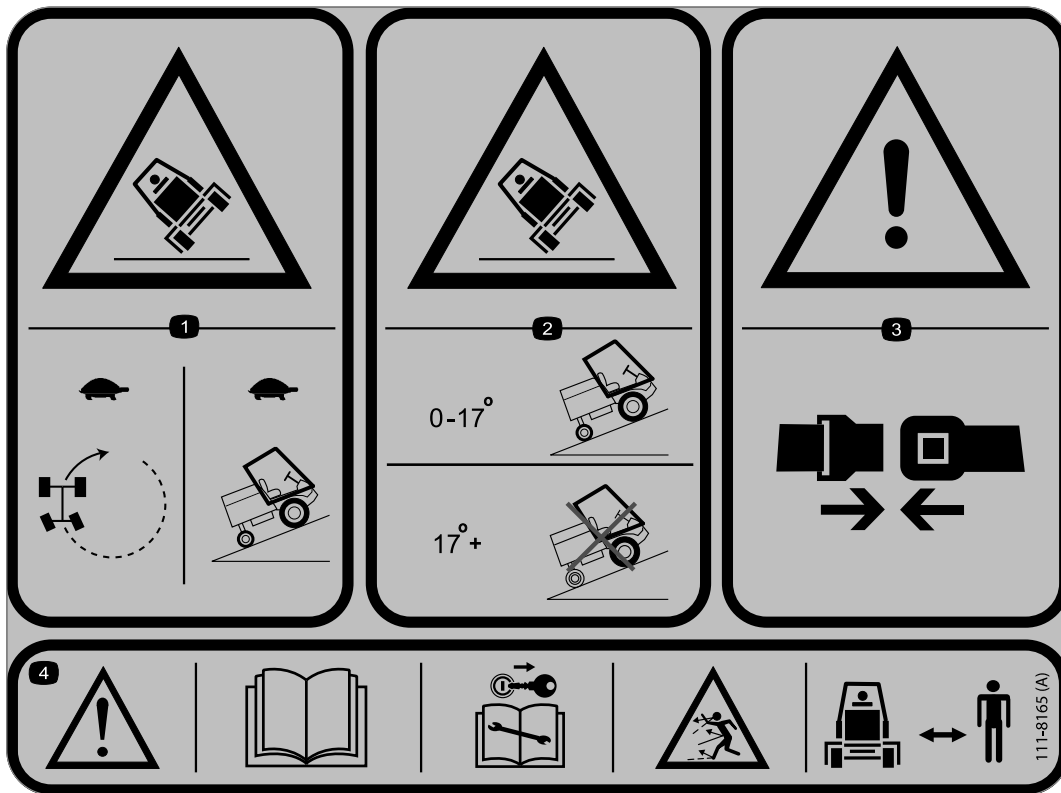
1. Crushing hazard—always use the hood stay.



111-8164

Groundsmaster 3400 (Model 30651)

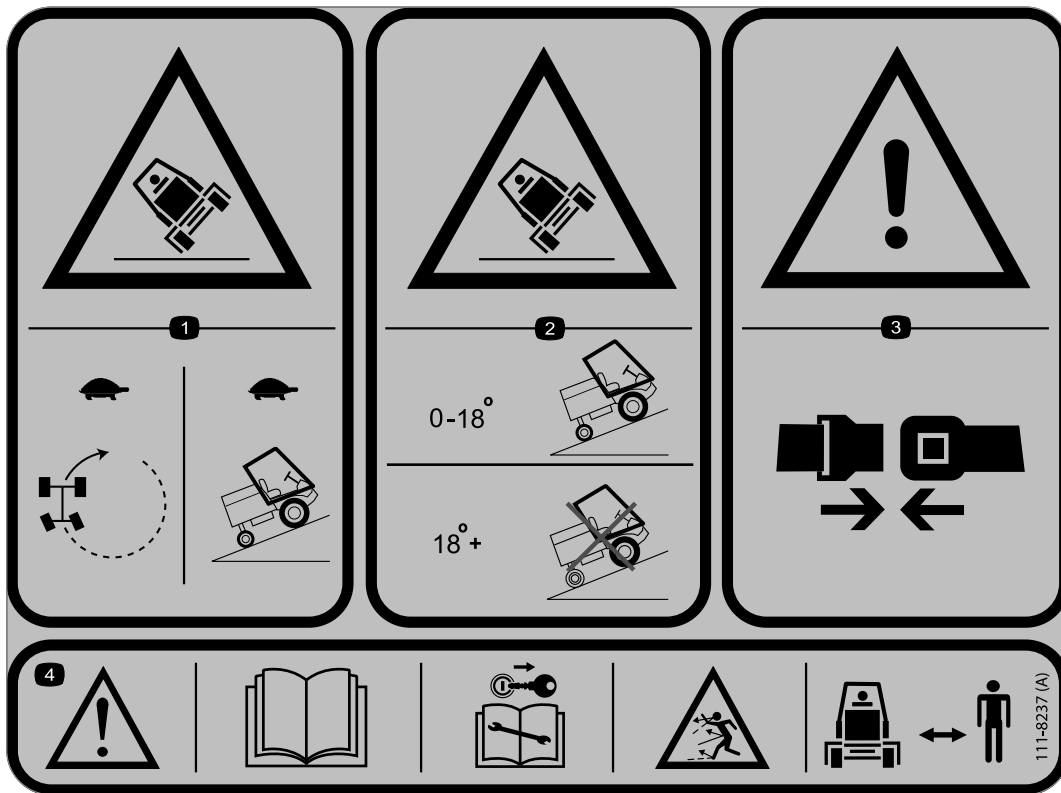
1. Tipping hazard—always perform slow turns; go slowly up inclines.
2. Tipping hazard—do not drive up slopes greater than 15 degrees.
3. Warning—always wear a seatbelt.
4. Warning—read the *Operator's Manual*; remove the key from the ignition before performing maintenance; thrown object hazard; keep bystanders away from the machine.



111-8165

CT2240 (Model 30654)

1. Tipping hazard—always perform slow turns; go slowly up inclines.
2. Tipping hazard—do not drive up slopes greater than 17 degrees.
3. Warning—always wear a seatbelt.
4. Warning—read the *Operator's Manual*; remove the key from the ignition before performing maintenance; thrown object hazard; keep bystanders away from the machine.



111-8237

LT3340 (Model 30657)

1. Tipping hazard—always perform slow turns; go slowly up inclines.
2. Tipping hazard—do not drive up slopes greater than 18 degrees.
3. Warning—always wear a seatbelt.
4. Warning—read the *Operator's Manual*; remove the key from the ignition before performing maintenance; thrown object hazard; keep bystanders away from the machine.

Product Overview

Controls

Heater/Blower Controls

The controls are mounted on the right side in the roof lining.

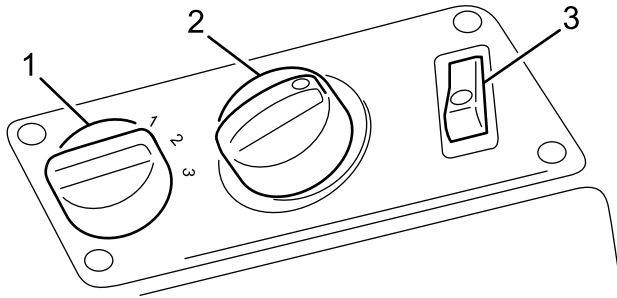


Figure 3

g020347

1. Blower speed switch
2. Temperature controller
3. Air conditioner switch (Air Conditioning Optional)

Screen Wiper and Washer Switch

The switch is mounted on the left side in the roof lining.

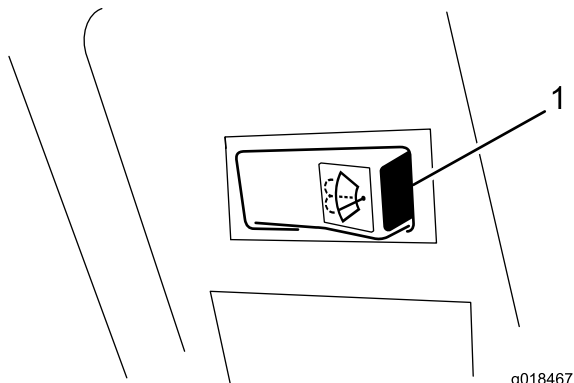


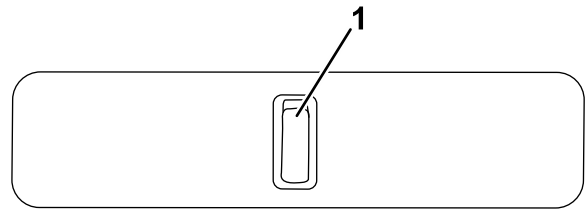
Figure 4

g018467

1. Screen wiper/washer switch

Interior Light Switch

Press the front of the interior light switch (Figure 5) to turn on the light. Press the rear of the switch to turn off the light.



g020349

Figure 5

1. Interior light switch

Front Window Handle (2)

The front window can be opened for ventilation. There are two handles (Figure 6).

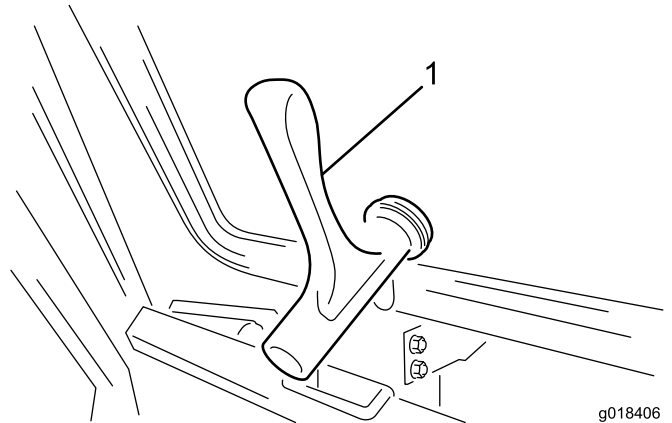


Figure 6

g018406

1. Front window handle

Rear Window Handle and Prop

The rear window can be opened for ventilation. Rotate the rear window prop to hold the window open (Figure 7).

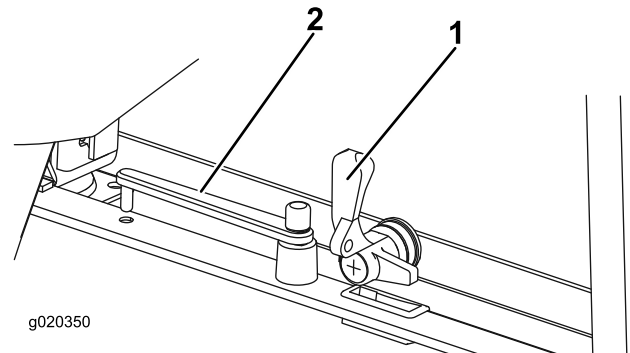


Figure 7

1. Rear window handle
2. Rear window prop

Operation

Note: Determine the left and right sides of the machine from the normal operating position.

Operating the Heating System

1. Set the air conditioner switch to Off.
2. Set the fan speed switch to the desired speed.
3. Set the temperature regulator to the required setting.
4. The two air vents in the roof console can be rotated and angled to achieve the desired air direction.

Operating the Screen Wiper and Washer

1. Press the right side of the switch to start the screen wipers.
2. Press and hold the switch to operate the screen washers.
3. Press the left side of the switch to stop the screen wipers.

Filling the Screen Washer Bottle

Fill the bottle with clean water plus the recommended quantity of propriety windscreen washing fluid (Figure 8).

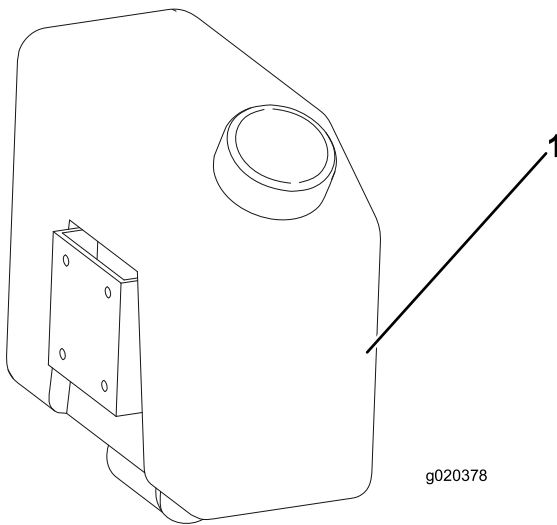


Figure 8

1. Screen washer bottle

⚠ WARNING

If you operate your machine in temperatures below 5 degrees C (40 degrees F), use washer fluid with antifreeze protection. Failure to use washer fluid with antifreeze protection in cold weather could result in impaired windscreen vision and increase the risk of injury or accident.

Operating the Windows

Front Window

1. Rotate the handles anticlockwise and push the window open.
2. Rotate the handles clockwise to lock the window open.
3. To close the window, rotate the handles anticlockwise, pull the window closed and rotate the handles clockwise to lock it.

Rear Window

The rear window can be opened by rotating the single handle to unlock it. It will continue to fully open on its gas springs. Rotate the window prop against the window handle to hold it open.

To close the rear window, rotate the prop away from the window, pull it closed and rotate the handle to lock it.

Operating the Doors

To open the door from outside the cab, press the door latch handle knob while opening the door (Figure 9).

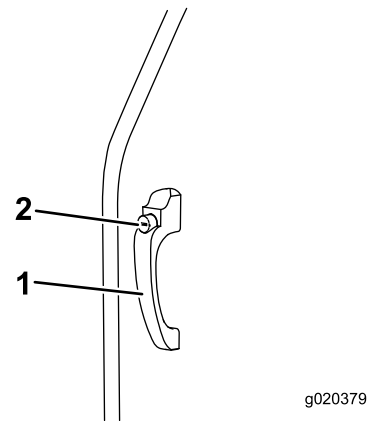


Figure 9

1. Door latch handle
2. Door latch knob

To open the door from inside the cab, pull back on the door lock release lever while opening the door (Figure 10).

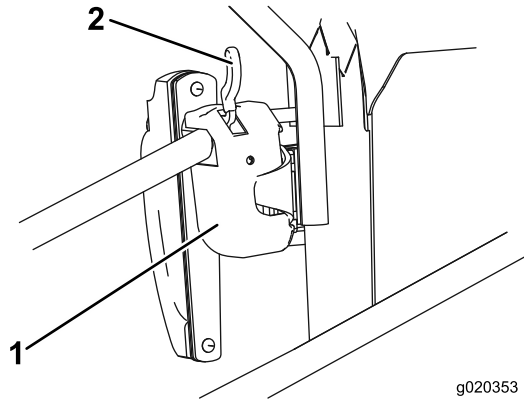


Figure 10

1. Door lock

2. Release lever

Adjusting the Mirrors

While sitting in the seat, have a helper adjust the side view mirrors to attain the best view around the side of the machine (Figure 11).

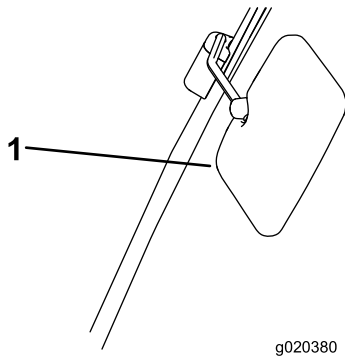


Figure 11

1. Side view mirror

Maintenance

⚠ WARNING

Working on the machine without the safety support bracket increases your risk of injury.

Before carrying out maintenance underneath the operator platform and cab, ensure that the safety support bracket is installed.

Important: Maintenance or repairs on the heating system should be carried out by an Authorized Toro Distributor or a specialist in vehicle heating systems.

Tilting the Cab

The cab has a tilting facility to enable access under the operator platform for cleaning and maintenance.

The cab and the operator platform tilt as one unit. The angle of tilt is less than that of a platform without a cab. This is to ensure that, owing to the weight and position of the tilted cab, the machine has sufficient stability when the cab is tilted.

Tilting the Cab Upward

1. Rotate the two locking levers, located on the cross beam at the rear of the cab, so that they point upward (Figure 12).

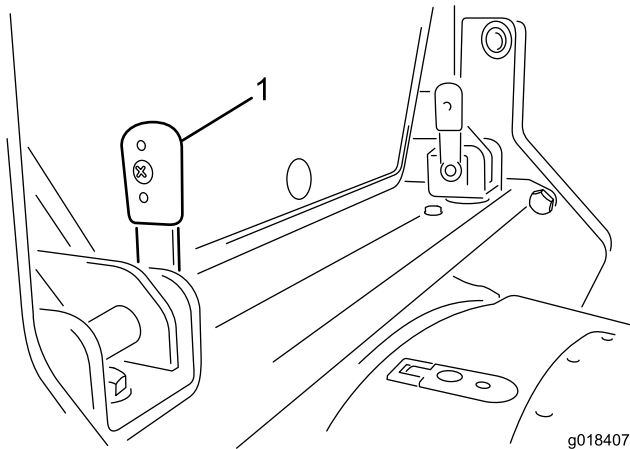


Figure 12

1. Locking lever (2)—rotated upward (vertical)

2. Slide the levers inwards to remove them from the brackets. This might require some wiggling as (a) the levers might be stiff in their brackets and (b) their removal requires the alignment of locking pegs with slots in the brackets to allow them to be withdrawn.
3. On both sides of the cab, on the rear corner post, there is a grab handle, so the cab can be raised from either side. Push upwards on one of these handles. The built-in gas springs assist in raising the cab in a controlled manner and stop it when fully raised.

4. Once the cab has been fully raised, install the safety support bracket as follows:
 - Remove the safety support bracket from the storage pod.
 - Using either of the 2 cross beam brackets, place the safety support bracket within the cross beam brackets and insert the appropriate locking lever through both brackets and rotate downwards.
 - Once the safety support bracket is secured, the cross beam bracket must then be rotated toward the cab so it rests against the bracket on the rear of the cab.
 - Insert the remaining locking lever through the top bracket to ensure the safety bracket stays in place.

Lowering the Cab

1. Remove the safety support bracket as follows:
 - Remove the 2 locking levers securing the safety support bracket to the cross beam brackets.
 - Remove the safety support bracket from the cross beam brackets.
 - Place the safety support bracket in the storage pod.
2. Pull down on one of the grab handles to lower the cab so that the brackets on the rear of the cab align between the brackets on the cross beam.
3. With the levers in the vertical position (Figure 12), push them through the sets of brackets. It might be necessary to wriggle the levers into the brackets to align the locking pegs in the slots.
4. When the levers are fully inserted, rotate them backwards to lock them in position (Figure 13).

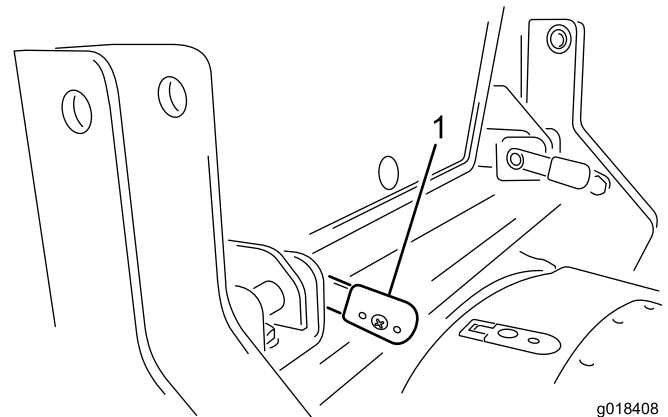


Figure 13

1. Locking lever (2)—rotated downward (horizontal)

Locating the Fuses

The cab fuses are located in the fuse box on the cab headliner (Figure 14).

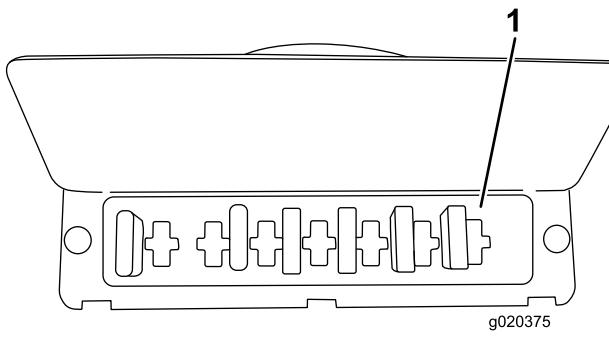


Figure 14

1. Cab fuse block
-

Washing the Machine and Cab

When washing the machine and the cab, do not direct water into the roof area.

Notes:

Declaration of Incorporation

The Toro Company, 8111 Lyndale Ave. South, Bloomington, MN, USA declares that the following unit(s) conform(s) to the directives listed, when installed in accordance with the accompanying instructions onto certain Toro models as indicated on the relevant Declarations of Conformity.

Model No.	Serial No.	Product Description	Invoice Description	General Description	Directive
02890	315000001 and Up	Mauser KS-534 Full Safety Cab Kit	CAB - MAUSER KS-534 W / HEATER	Cab	2004/108/EC 2006/42/EC

Relevant technical documentation has been compiled as required per Part B of Annex VII of 2006/42/EC.

We will undertake to transmit, in response to requests by national authorities, relevant information on this partly completed machinery. The method of transmission shall be electronic transmittal.

This machinery shall not be put into service until incorporated into approved Toro models as indicated on the associated Declaration of Conformity and in accordance with all instructions, whereby it can be declared in conformity with all relevant Directives.

Certified:



David Klis
Sr. Engineering Manager
8111 Lyndale Ave. South
Bloomington, MN 55420, USA
January 26, 2015

EU Technical Contact:

Peter Tetteroo
Toro Europe NV
B-2260 Oevel-Westerloo
Belgium

Tel. 0032 14 562960
Fax 0032 14 581911

International Distributor List

Distributor:	Country:	Phone Number:	Distributor:	Country:	Phone Number:
Agrolanc Kft	Hungary	36 27 539 640	Maquiver S.A.	Colombia	57 1 236 4079
Balama Prima Engineering Equip.	Hong Kong	852 2155 2163	Maruyama Mfg. Co. Inc.	Japan	81 3 3252 2285
B-Ray Corporation	Korea	82 32 551 2076	Mountfield a.s.	Czech Republic	420 255 704 220
Casco Sales Company	Puerto Rico	787 788 8383	Mountfield a.s.	Slovakia	420 255 704 220
Ceres S.A.	Costa Rica	506 239 1138	Munditol S.A.	Argentina	54 11 4 821 9999
CSSC Turf Equipment (pvt) Ltd.	Sri Lanka	94 11 2746100	Norma Garden	Russia	7 495 411 61 20
Cyril Johnston & Co.	Northern Ireland	44 2890 813 121	Oslinger Turf Equipment SA	Ecuador	593 4 239 6970
Cyril Johnston & Co.	Republic of Ireland	44 2890 813 121	Oy Hako Ground and Garden Ab	Finland	358 987 00733
Equiver	Mexico	52 55 539 95444	Parkland Products Ltd.	New Zealand	64 3 34 93760
Femco S.A.	Guatemala	502 442 3277	Perfetto	Poland	48 61 8 208 416
ForGarder OU	Estonia	372 384 6060	Pratoverde SRL.	Italy	39 049 9128 128
G.Y.K. Company Ltd.	Japan	81 726 325 861	Prochaska & Cie	Austria	43 1 278 5100
Geomechaniki of Athens	Greece	30 10 935 0054	RT Cohen 2004 Ltd.	Israel	972 986 17979
Golf international Turizm	Turkey	90 216 336 5993	Riversa	Spain	34 9 52 83 7500
Guandong Golden Star	China	86 20 876 51338	Lely Turfcare	Denmark	45 66 109 200
Hako Ground and Garden	Sweden	46 35 10 0000	Solvart S.A.S.	France	33 1 30 81 77 00
Hako Ground and Garden	Norway	47 22 90 7760	Spypros Stavrinides Limited	Cyprus	357 22 434131
Hayter Limited (U.K.)	United Kingdom	44 1279 723 444	Surge Systems India Limited	India	91 1 292299901
Hydroturf Int. Co Dubai	United Arab Emirates	97 14 347 9479	T-Markt Logistics Ltd.	Hungary	36 26 525 500
Hydroturf Egypt LLC	Egypt	202 519 4308	Toro Australia	Australia	61 3 9580 7355
Irrimac	Portugal	351 21 238 8260	Toro Europe NV	Belgium	32 14 562 960
Irrigation Products Int'l Pvt Ltd.	India	0091 44 2449 4387	Valtech	Morocco	212 5 3766 3636
Jean Heybroek b.v.	Netherlands	31 30 639 4611	Victus Emak	Poland	48 61 823 8369

European Privacy Notice

The Information Toro Collects

Toro Warranty Company (Toro) respects your privacy. In order to process your warranty claim and contact you in the event of a product recall, we ask you to share certain personal information with us, either directly or through your local Toro company or dealer.

The Toro warranty system is hosted on servers located within the United States where privacy law may not provide the same protection as applies in your country.

BY SHARING YOUR PERSONAL INFORMATION WITH US, YOU ARE CONSENTING TO THE PROCESSING OF YOUR PERSONAL INFORMATION AS DESCRIBED IN THIS PRIVACY NOTICE.

The Way Toro Uses Information

Toro may use your personal information to process warranty claims, to contact you in the event of a product recall and for any other purpose which we tell you about. Toro may share your information with Toro's affiliates, dealers or other business partners in connection with any of these activities. We will not sell your personal information to any other company. We reserve the right to disclose personal information in order to comply with applicable laws and with requests by the appropriate authorities, to operate our systems properly or for our own protection or that of other users.

Retention of your Personal Information

We will keep your personal information as long as we need it for the purposes for which it was originally collected or for other legitimate purposes (such as regulatory compliance), or as required by applicable law.

Toro's Commitment to Security of Your Personal Information

We take reasonable precautions in order to protect the security of your personal information. We also take steps to maintain the accuracy and current status of personal information.

Access and Correction of your Personal Information

If you would like to review or correct your personal information, please contact us by email at legal@toro.com.

Australian Consumer Law

Australian customers will find details relating to the Australian Consumer Law either inside the box or at your local Toro Dealer.



The Toro Total Coverage Guarantee

A Limited Warranty

Conditions and Products Covered

The Toro® Company and its affiliate, Toro Warranty Company, pursuant to an agreement between them, jointly warrant your Toro Commercial product ("Product") to be free from defects in materials or workmanship for two years or 1500 operational hours*, whichever occurs first. This warranty is applicable to all products with the exception of Aerators (refer to separate warranty statements for these products). Where a warrantable condition exists, we will repair the Product at no cost to you including diagnostics, labor, parts, and transportation. This warranty begins on the date the Product is delivered to the original retail purchaser.

* Product equipped with an hour meter.

Instructions for Obtaining Warranty Service

You are responsible for notifying the Commercial Products Distributor or Authorized Commercial Products Dealer from whom you purchased the Product as soon as you believe a warrantable condition exists. If you need help locating a Commercial Products Distributor or Authorized Dealer, or if you have questions regarding your warranty rights or responsibilities, you may contact us at:

Commercial Products Service Department
Toro Warranty Company
8111 Lyndale Avenue South
Bloomington, MN 55420-1196
E-mail: commercial.warranty@toro.com

Owner Responsibilities

As the Product owner, you are responsible for required maintenance and adjustments stated in your Operator's Manual. Failure to perform required maintenance and adjustments can be grounds for disallowing a warranty claim.

Items and Conditions Not Covered

Not all product failures or malfunctions that occur during the warranty period are defects in materials or workmanship. This warranty does not cover the following:

- Product failures which result from the use of non-Toro replacement parts, or from installation and use of add-on, or modified non-Toro branded accessories and products. A separate warranty may be provided by the manufacturer of these items.
- Product failures which result from failure to perform recommended maintenance and/or adjustments. Failure to properly maintain your Toro product per the Recommended Maintenance listed in the *Operator's Manual* can result in claims for warranty being denied.
- Product failures which result from operating the Product in an abusive, negligent or reckless manner.
- Parts subject to consumption through use unless found to be defective. Examples of parts which are consumed, or used up, during normal Product operation include, but are not limited to, brakes pads and linings, clutch linings, blades, reels, bed knives, tines, castor wheels, tires, filters, belts, and certain sprayer components such as diaphragms, nozzles, and check valves, etc.
- Failures caused by outside influence. Items considered to be outside influence include, but are not limited to, weather, storage practices,

contamination, use of unapproved coolants, lubricants, additives, fertilizers, water, or chemicals, etc.

- Normal noise, vibration, wear and tear, and deterioration.
- Normal "wear and tear" includes, but is not limited to, damage to seats due to wear or abrasion, worn painted surfaces, scratched decals or windows, etc.

Parts

Parts scheduled for replacement as required maintenance are warranted for the period of time up to the scheduled replacement time for that part. Parts replaced under this warranty are covered for the duration of the original product warranty and become the property of Toro. Toro will make the final decision whether to repair any existing part or assembly or replace it. Toro may use remanufactured parts for warranty repairs.

Note Regarding Deep Cycle Battery Warranty:

Deep cycle batteries have a specified total number of kilowatt-hours they can deliver during their lifetime. Operating, recharging, and maintenance techniques can extend or reduce total battery life. As the batteries in this product are consumed, the amount of useful work between charging intervals will slowly decrease until the battery is completely worn out. Replacement of worn out batteries, due to normal consumption, is the responsibility of the product owner. Battery replacement may be required during the normal product warranty period at owner's expense.

Maintenance is at Owner's Expense

Engine tune-up, lubrication cleaning and polishing, replacement of Items and Conditions Not Covered filters, coolant, and completing Recommended Maintenance are some of the normal services Toro products require that are at the owner's expense.

General Conditions

Repair by an Authorized Toro Distributor or Dealer is your sole remedy under this warranty.

Neither The Toro Company nor Toro Warranty Company is liable for indirect, incidental or consequential damages in connection with the use of the Toro Products covered by this warranty, including any cost or expense of providing substitute equipment or service during reasonable periods of malfunction or non-use pending completion of repairs under this warranty. Except for the Emissions warranty referenced below, if applicable, there is no other express warranty.

All implied warranties of merchantability and fitness for use are limited to the duration of this express warranty. Some states do not allow exclusions of incidental or consequential damages, or limitations on how long an implied warranty lasts, so the above exclusions and limitations may not apply to you.

This warranty gives you specific legal rights, and you may also have other rights which vary from state to state.

Countries Other than the United States or Canada

Customers should contact their Toro Distributor (Dealer) to obtain guarantee policies for your country, province, or state. If for any reason you are dissatisfied with your Distributor's service or have difficulty obtaining guarantee information, contact the Toro importer. If all other remedies fail, you may contact us at Toro Warranty Company.