



Count on it.

Parts Catalog

TimeCutter® SWX 5050

Riding Mower

Model No. 74798—Serial No. 315000001 and Up



Ordering Replacement Parts

To order replacement parts, please supply the part number, the quantity, and the description of each part desired.

Understanding Reference Numbers

Each identified part in an illustration has a reference number. The reference number for a part also appears in the parts list, along with other information about the part.

This catalog uses two special reference number formats, one to indicate parts in a service assembly and another to indicate the quantity of a given part in an illustration.

Service Assembly Reference Numbers

Parts in service assemblies have reference numbers in the form a:b. The a represents the reference number of the entire service assembly and the b represents a sequential number unique to each part within the service assembly.

For example, a wheel assembly might be identified by reference number 6, the tire by 6:1, the valve by 6:2, and the wheel by 6:3. When you order the assembly identified by reference number 6, you receive all parts identified by reference numbers 6:1, 6:2, and 6:3. However, you may also order any part individually. Reference numbers of this type appear in illustration and in parts lists.

Reference Numbers Indicating Quantity

In an illustration, if a reference number indicates more than one part, the reference number has the form nX y. The n represents the quantity of the part, the X is the multiplication symbol, and the y represents the reference number.

For example, in an illustration, the reference number 2X 37 means that two of the parts identified by reference number 37 are indicated.

List of Abbreviations

AR: as required

ASM: assembly

BBC: blade brake control

BHTF: button head thread forming

CARR: carriage

CCW: counter clockwise

CW: clockwise

DEG: degrees

DPA: Dual Point Adjustment

ECM: electronic control module

EXT: external

FH: flat head

GA: gauge

HD: heavy-duty

HF: hex flange

HH: hex head

HHF: hex head flange

HHFTF: hex head flange thread forming

HJ: hex jam

HLH: hex lag head

HOC: height-of-cut

HP: high pressure

HSBH: hex socket button head

HSFH: hex socket flat head

HSH: hex socket head

HWH: hex washer head

HWHTF: hex washer head thread forming

HYD: hydraulic

LH: left hand

LP: low pressure

LPG: Liquefied Petroleum Gas

NI: nylon insert

NPTF: national pipe thread fine

PFH: phillips flat head

PPH: phillips pan head

PPHTF: phillips pan head thread forming

PRH: phillips round head

PTH: phillips truss head

PTO: power-take-off

RH: right hand

ROPS: roll-over protection system

RRB: rear roller brush

SFH: slotted fillister head

SHH: slotted hex head

SHWH: slotted hex washer head

SPH: slotted pan head

SQH: square head

SRH: slotted round head

STD: standard

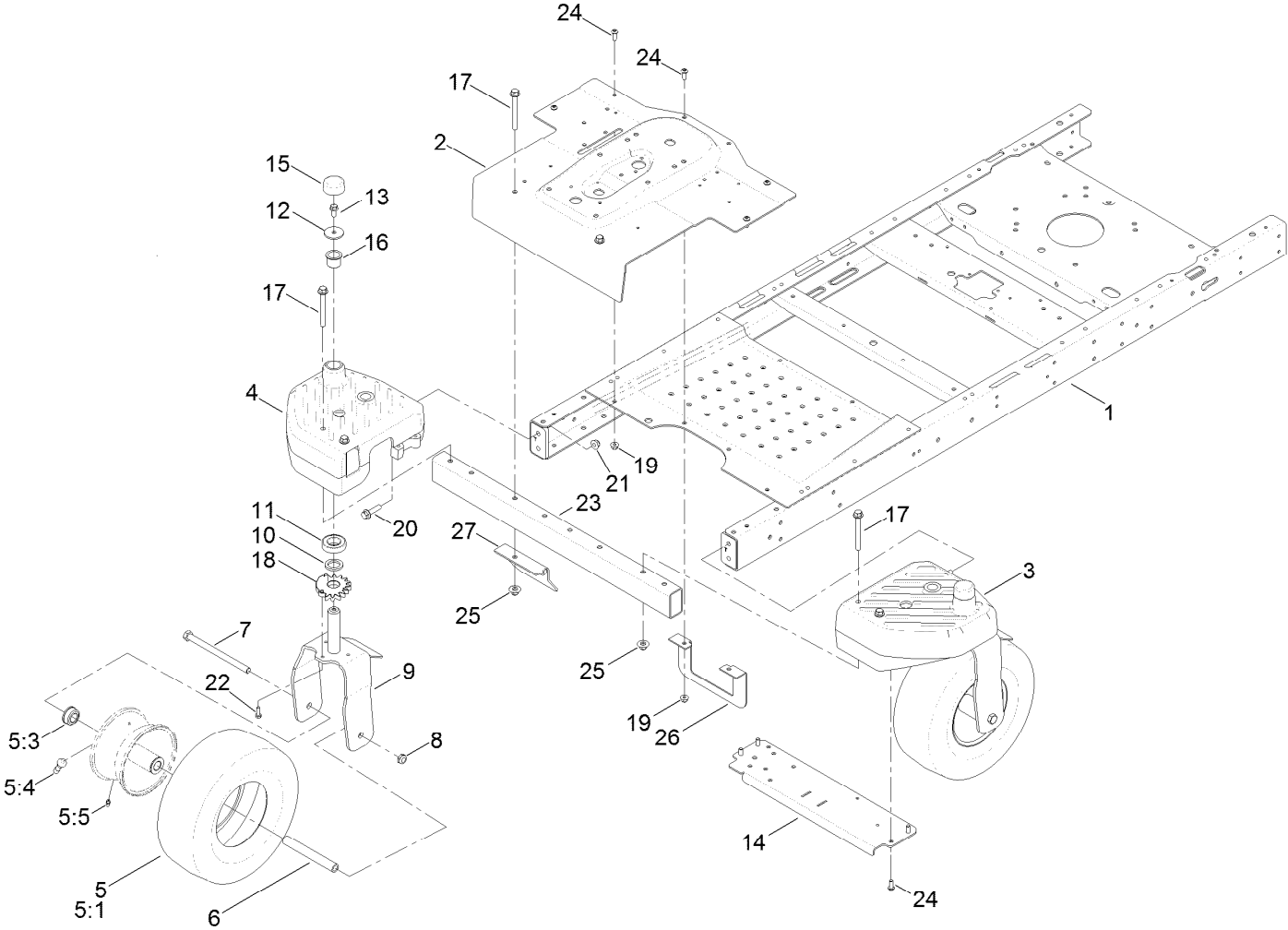
TAP: self tapping

TTH: torx truss head

Contents

Frame, Front Axle and Caster Wheel Assembly	4
Deck Lift Assembly	6
Steering Column Assembly	8
Speed Control Assembly	10
Neutral Return Assmbly No. 131-0903	12
Steering Gear Assembly	14
Steering Cable Assembly	16
Steering Wheel Assembly	18
Motion Control Assembly	20
Brake Box Assembly	22
Seat Assembly	24
Seat Assembly No. 131-4147	26
Belt and Idler Assembly	28
Hydro Transaxle Drive and Rear Wheel Assembly	30
RH Transaxle Assembly No. 130-6961	32
LH Transaxle Assembly No. 130-6960	34
4 Ply Wheel and Tire Assembly No. 109-5268	36
2 Ply Wheel and Tire Assembly No. 131-3673	38
Clutch Assembly	40
Engine and Muffler Assembly	42
Body Styling and Fuel Tank Assembly	44
Fuel Delivery Assembly	46
Battery and Electrical Assembly	48
Wire Harness Assembly	50
50 Inch Deck Assembly	52
50 Inch Deck and Decal Assembly No. 131-3612	54
50 Inch Deck Belt, Spindle and Blade Assembly	56
Attachments and Accessories	58

Frame, Front Axle and Caster Wheel Assembly

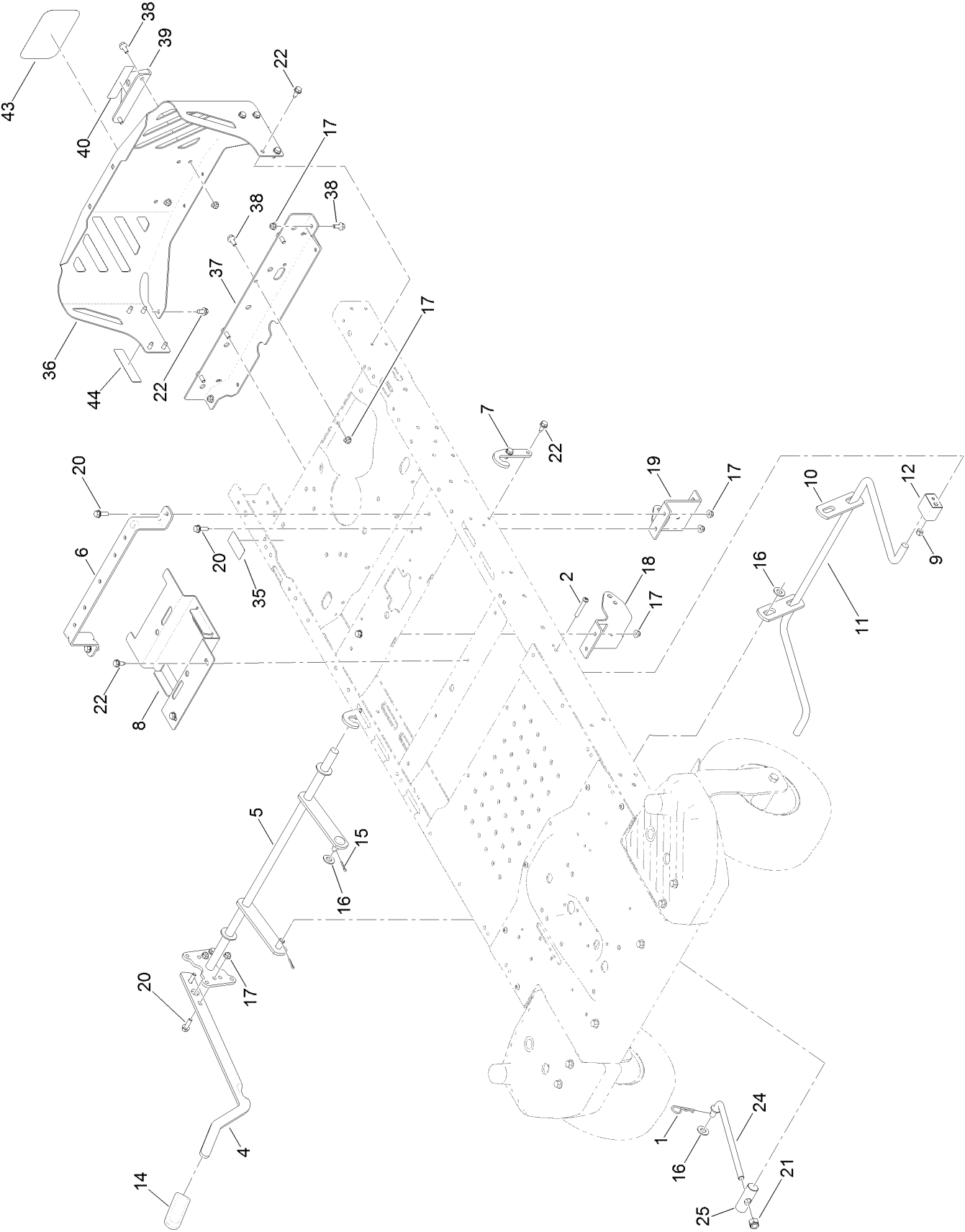


Frame, Front Axle and Caster Wheel Assembly (continued)

<i>Ref.</i>	<i>Part Number</i>	<i>Qty.</i>	<i>Description</i>	<i>Ref.</i>	<i>Part Number</i>	<i>Qty.</i>	<i>Description</i>
1	130-0805-01	1	Frame ASM (Wide)	12	131-1032	2	Washer-Flat
2	130-6930-05	1	Pan-Steer, Front (Wide)	13	3234-47	2	Screw-HHF
3	130-0748-05	1	Housing-Spindle, LH	14	130-6979-03	1	Plate-Bridge, Wide
4	130-0746-05	1	Housing-Spindle, RH	15	130-7015	2	Cap-Caster
5	119-3473	2	13 Inch Wheel And Tire ASM	16	126-1963	2	Bushing-Pivot
5:1	119-3471	1	Tire-13 Inch	17	115-7660	6	Screw-HHF
5:3	114-1640	2	Bushing-Flange	18	130-0689	2	Gear-Wheel, 15 Teeth
5:4	232-27	1	Stem-Valve	19	104-8300	6	Nut-Flange, NI
5:5	302-5	1	Fitting-Grease	20	114-4681	4	Screw-HHF
5:99	232-46	1	Tube ●	21	104-8301	4	Nut-Flange, NI
6	119-3475	2	Spanner	22	321-4	4	Screw-HH
7	325-37	2	Screw-HH	23	130-0829-03	1	Tube-Front, Wide
8	3296-45	2	Nut-Lock, NI	24	131-4080	10	Screw-HSBH
9	130-0670-03	2	Caster Fork ASM	25	109-6658	6	Nut-Flange, NI
10	117-7394	2	Washer-Thrust	26	131-8739-01	1	Bracket-Upstop, Long
11	109-3678	2	Bearing-Ball	27	132-0868-03	1	Guard-Front

● Not illustrated

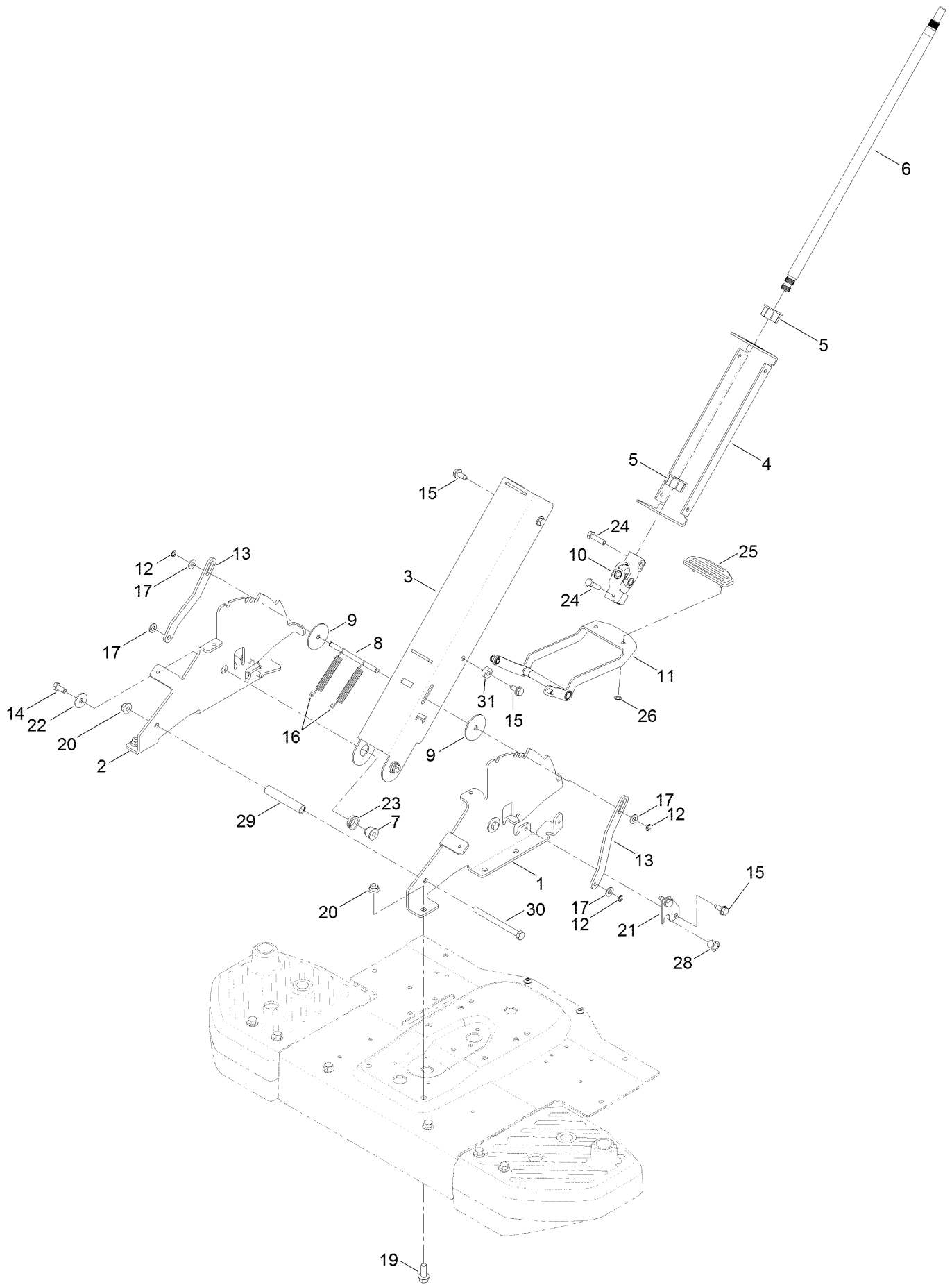
Deck Lift Assembly



Deck Lift Assembly (continued)

<i>Ref.</i>	<i>Part Number</i>	<i>Qty.</i>	<i>Description</i>	<i>Ref.</i>	<i>Part Number</i>	<i>Qty.</i>	<i>Description</i>
1	1-806005	1	Pin-Cotter	18	131-0901-01	1	Mount-Hydro, Front Right
2	120-5499	2	Screw-HSBH	19	131-0902-01	1	Mount-Hydro, Front Left
4	119-3427-03	1	Lever-Lift	20	3234-29	6	Screw-HHF
5	119-3424-03	1	Lift-Deck, Wide	21	3296-19	1	Nut-Hex
6	117-7337-03	1	Brace-Seat, Rear (Wide)	22	32144-70	16	Screw-HWHTF
7	119-8875	2	Bracket-Lift	24	131-3945	1	Rod-Mount, Deck
8	131-0914-03	1	Bracket-Battery	25	119-8810	1	Pin-Pivot
9	3296-29	2	Nut-Lock, NI	35	121-2989	2	Decal-Bypass
10	108-7840	2	Link-Lift	36	130-0701-03	1	Guard-Engine, Wide
11	119-3347	1	Arm-Lift, Rear (Wide)	37	130-6946-01	1	Crossmember-Rear, Wide
12	108-7845	2	Block-Pivot	38	3234-47	8	Screw-HHF
14	1-633268	1	Grip-Lever	39	117-1232-03	1	Bracket-Hitch
15	3272-11	2	Pin-Cotter	40	131-4036	1	Decal
16	3256-26	3	Washer-Flat	43	99-4693	1	Decal
17	104-8300	14	Nut-Flange, NI	44	117-2718	1	Decal-Arrester, Spark

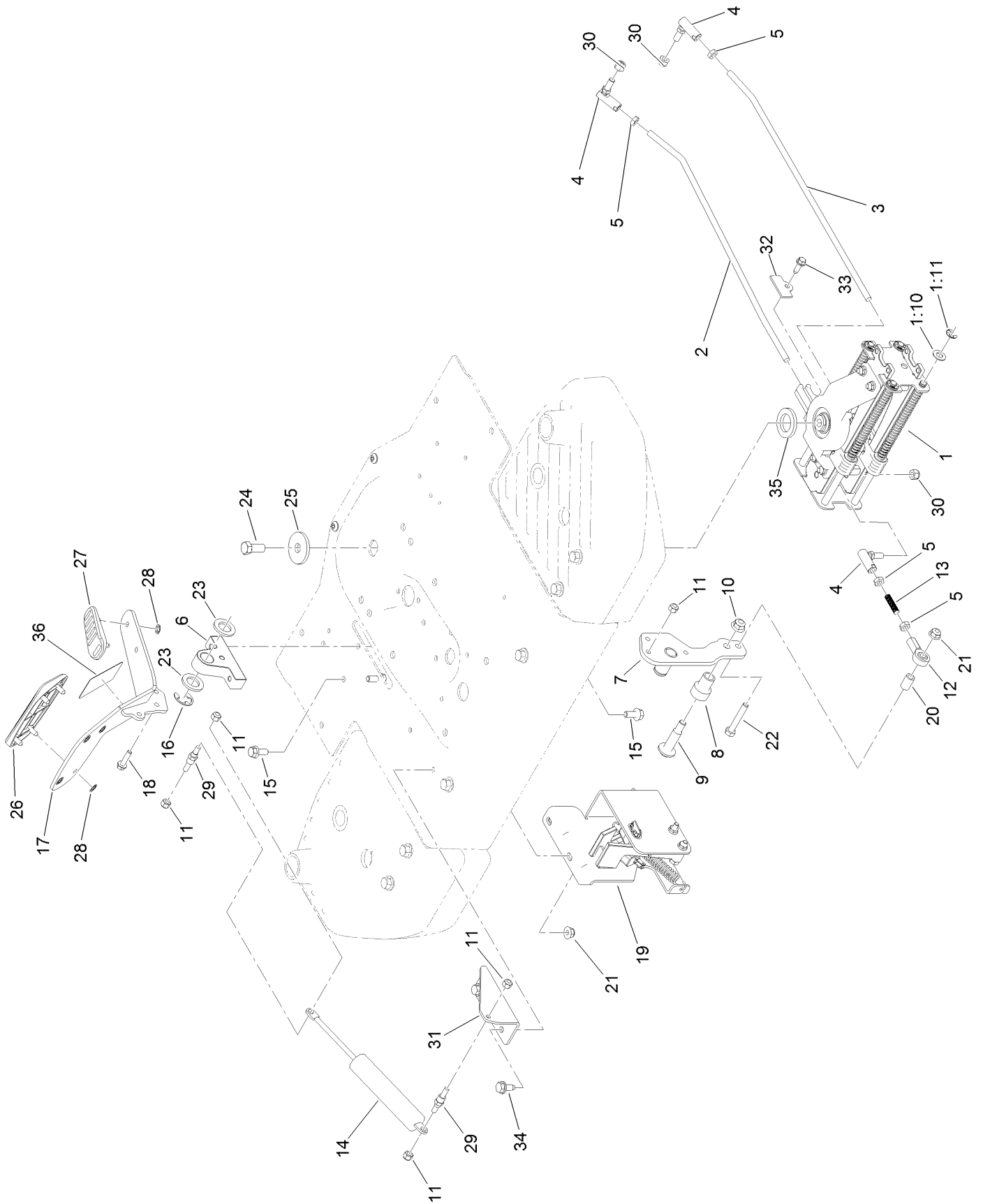
Steering Column Assembly



Steering Column Assembly (continued)

<i>Ref.</i>	<i>Part Number</i>	<i>Qty.</i>	<i>Description</i>	<i>Ref.</i>	<i>Part Number</i>	<i>Qty.</i>	<i>Description</i>
1	131-1052-03	1	Bracket-Pivot, Column (LH)	16	130-6998	2	Spring-Extension
2	131-1053-03	1	Bracket-Pivot, Column (RH)	17	3256-23	4	Washer-Flat
3	131-1054-01	1	Column-Front	19	3234-11	6	Screw-HHF
4	131-1055-01	1	Column-Back	20	104-8301	7	Nut-Flange, NI
5	93-1146	2	Bushing-Steering, Upper	21	131-1043	2	Plate-Retainer
6	125-5507	1	Shaft-Steering, Upper	22	5-4460	2	Washer-Pivot
7	131-1056	2	Spacer-Pivot, Column	23	99-4243	2	Bushing-Flange
8	131-1050	1	Rod-Plunger	24	322-6	2	Screw-HH
9	131-8729	2	Washer-Shaft, Tilt	25	131-4096	1	Pad-Tilt Pedal
10	131-1030	1	U-Joint ASM	26	32112-6	2	Nut-Push
11	131-7726	1	Release Pedal ASM	28	256-257	2	Bushing-Nyliner
12	701197	4	E-Ring	29	131-3697	1	Spacer
13	131-1049	2	Plate-Plunger	30	323-23	1	Screw-HH
14	322-3	2	Screw-HH	31	121-1759	2	Spacer
15	32144-70	8	Screw-HWHTF				

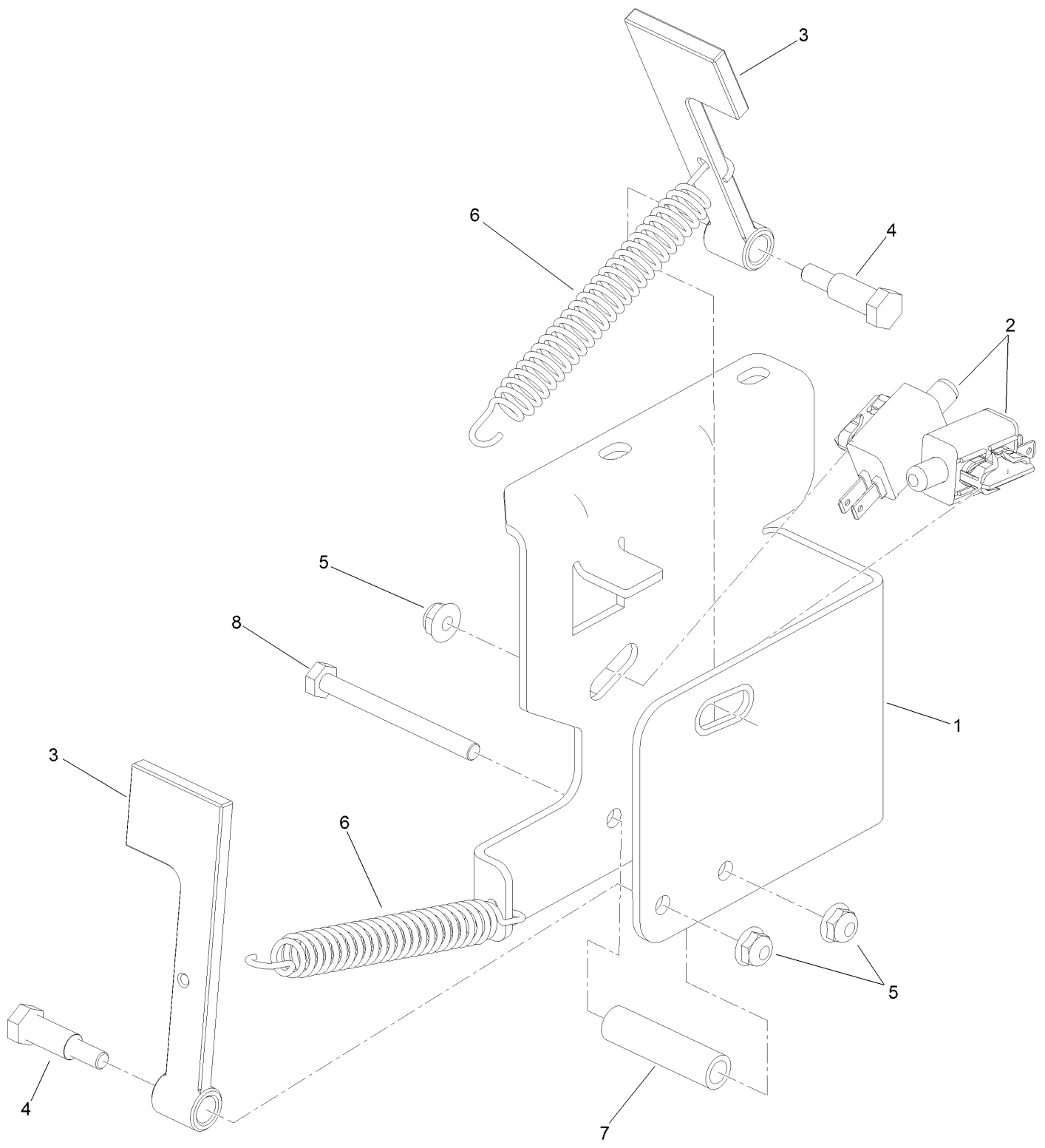
Speed Control Assembly



Speed Control Assembly (continued)

<i>Ref.</i>	<i>Part Number</i>	<i>Qty.</i>	<i>Description</i>	<i>Ref.</i>	<i>Part Number</i>	<i>Qty.</i>	<i>Description</i>
1	131-0904	1	Speed Control ASM	18	120-4654	2	Screw-HHF
1:10	131-8667	12	Washer-Thrust	19	131-0903	1	Neutral Return ASM
1:11	32120-18	8	E-Ring	20	131-1034	1	Spacer
2	127-0115	1	Rod-Hydro, RH	21	104-8300	3	Nut-Flange, NI
3	127-0116	1	Rod-Hydro, LH	22	322-10	1	Screw-HH
4	2411-33	3	Balljoint-RH (W/Grommet)	23	70-1160	2	Washer
5	3220-2	4	Nut-Jam	24	324-4	1	Screw-HH
6	130-6887	1	Mount-Pedal Pivot	25	84-1560	1	Washer-Thrust
7	125-5517	1	Pivot Lever ASM	26	98-9040	1	Pad-Toe, Hydro Pedal
8	127-3397	1	Roller	27	98-9039	1	Pad-Heel, Hydro Pedal
9	56-6590	1	Bolt-Wheel	28	32112-6	6	Nut-Push
10	104-8301	1	Nut-Flange, NI	29	110-6810	2	Stud-Damper
11	3296-42	6	Nut-Lock, NI	30	3296-4	3	Nut-Lock
12	1-543017	1	Balljoint-RH	31	130-6910-03	1	Bracket-Damper
13	130-6906	1	Rod-Threaded	32	131-1041	2	Cover-End Rod
14	131-0958	1	Damper-Non Cavitating	33	32144-44	2	Screw-HWH, Thread Roll
15	3234-47	4	Screw-HHF	34	32144-70	2	Screw-HWHTF
16	32151-48	1	E-Ring	35	131-8736	1	Spacer-Bearing
17	125-3065-01	1	Traction Pedal ASM	36	132-6863	1	Decal-Release, Break

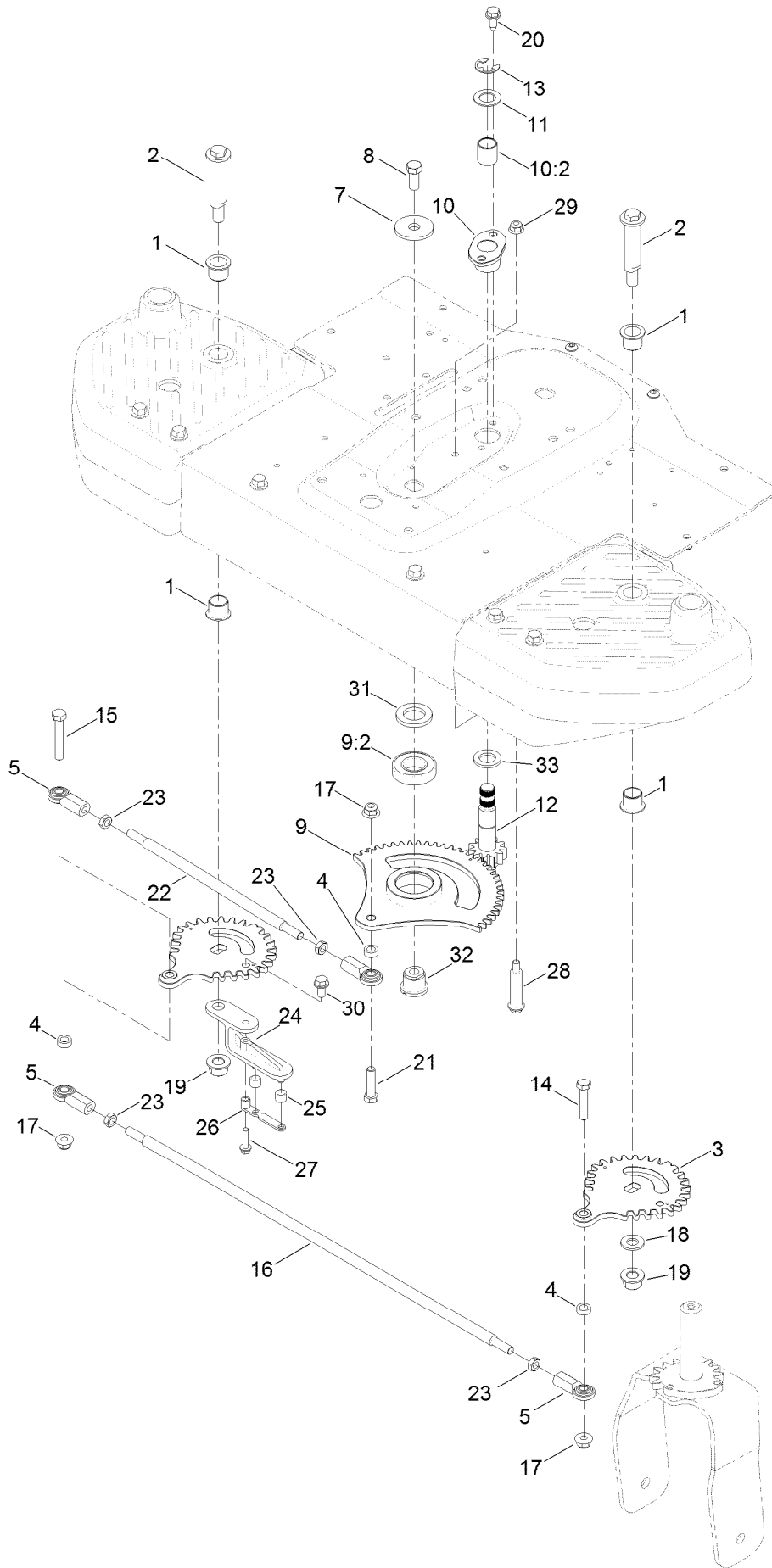
Neutral Return Assembly No. 131-0903



Neutral Return Assmby No. 131-0903 (continued)

<i>Ref.</i>	<i>Part Number</i>	<i>Qty.</i>	<i>Description</i>	<i>Ref.</i>	<i>Part Number</i>	<i>Qty.</i>	<i>Description</i>
1	132-0909-03	1	Bracket-Switch	5	104-7201	3	Nut-Flange, NI
2	110-6765	2	Switch	6	120-7027	2	Spring-Extension
3	130-0782	2	Arm-Switch	7	131-3976	1	Spacer
4	119-2309	2	Bolt-Shoulder	8	321-14	1	Screw-HH

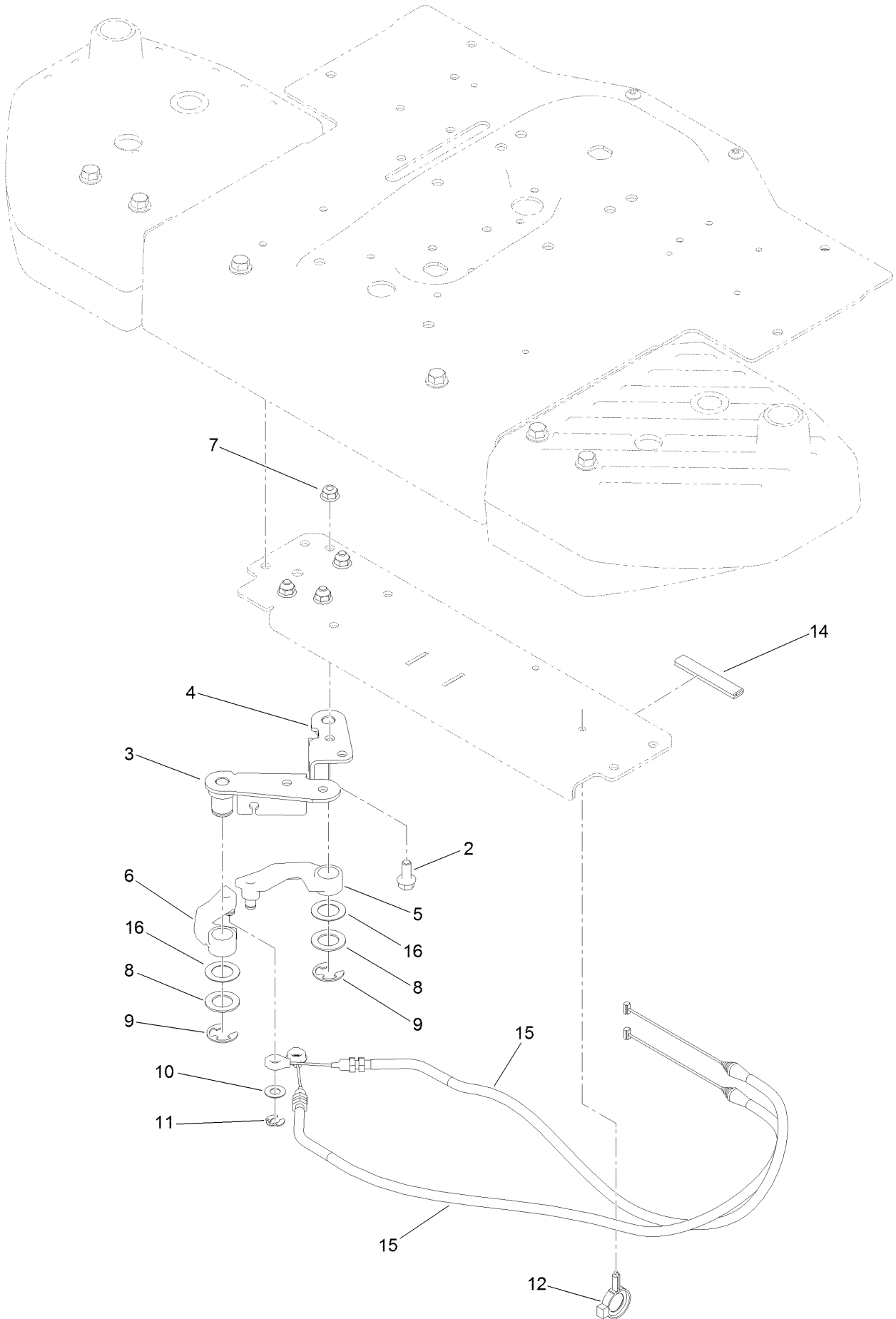
Steering Gear Assembly



Steering Gear Assembly (continued)

<i>Ref.</i>	<i>Part Number</i>	<i>Qty.</i>	<i>Description</i>	<i>Ref.</i>	<i>Part Number</i>	<i>Qty.</i>	<i>Description</i>
1	103-4398	4	Bearing-Flange, Iglide	17	104-8301	3	Nut-Flange, NI
2	131-1031	2	Bolt-Shoulder	18	3256-26	1	Washer-Flat
3	130-0830	2	Gear-Wheel, 30 Teeth	19	99-5107	2	Nut-Lock
4	83-1050	3	Spacer	20	32144-70	2	Screw-HWHTF
5	103-0608	4	Joint-Ball, End	21	323-8	1	Screw-HH
7	84-1560	1	Washer-Thrust	22	131-1037	1	Rod-Steering, Wide
8	324-4	1	Screw-HH	23	3220-3	4	Nut-HJ
9	131-8731	1	Sector Gear ASM	24	130-6878	1	Lever-Cable
9:2	109-3678	1	Bearing-Ball	25	131-3951	2	Bushing
10	131-8733	1	Flange Bearing ASM	26	131-3950	1	Strap-Roller
10:2	115-7019	1	Bushing-Straight	27	32144-86	1	Screw-HWHTF
11	119-7640	1	Washer-Thrust	28	100-9880	1	Bolt-Shoulder
12	125-5508	1	Lower Steering Shaft ASM	29	104-8300	1	Nut-Flange, NI
13	32151-48	1	E-Ring	30	32144-14	1	Screw-HWHTF
14	323-9	1	Screw-HH	31	131-8736	1	Spacer-Bearing
15	323-11	1	Screw-HH	32	131-8737	1	Pivot-Bearing
16	130-6986	1	Rod-Cross, Wide	33	70-1160	1	Washer

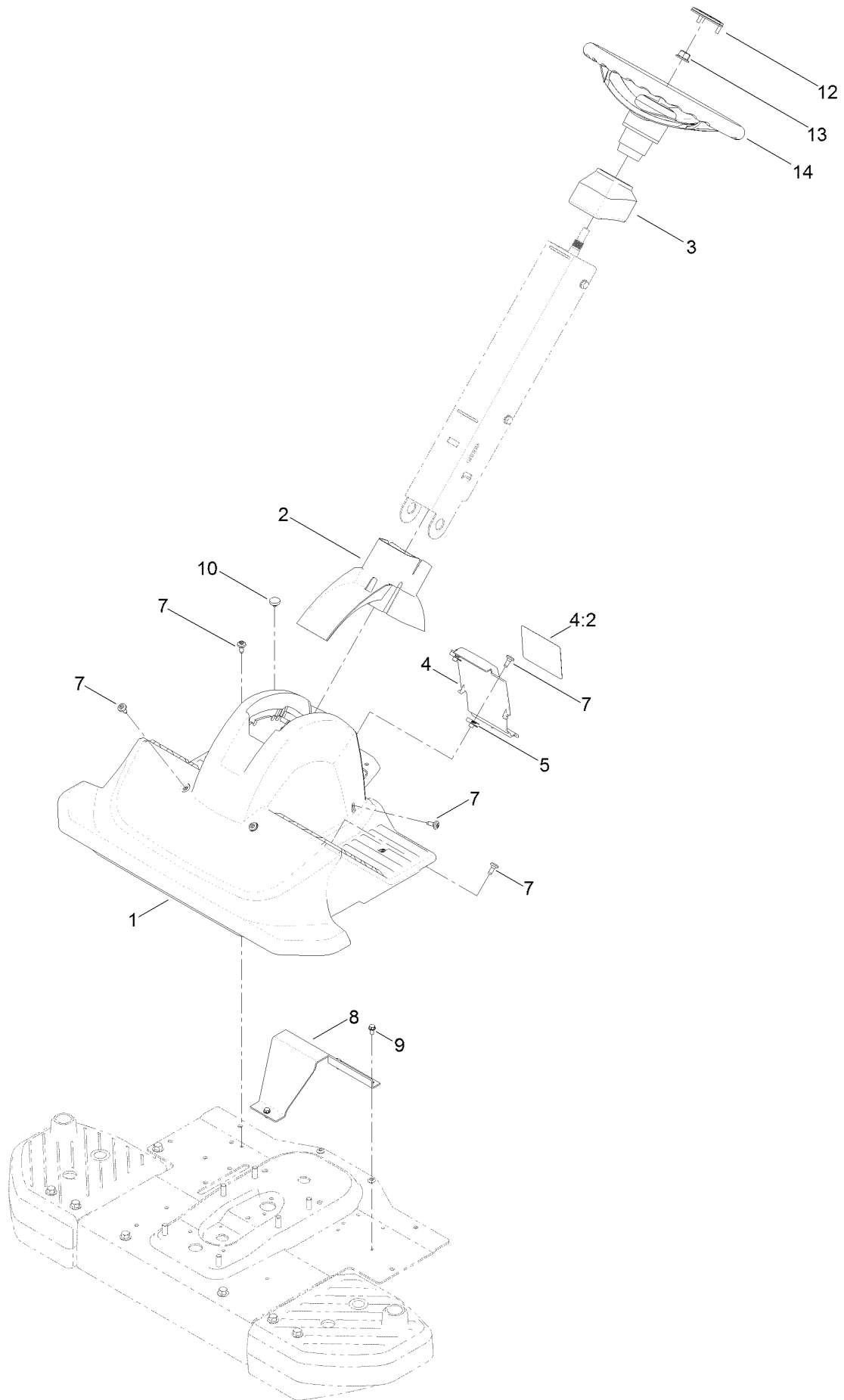
Steering Cable Assembly



Steering Cable Assembly (continued)

<i>Ref.</i>	<i>Part Number</i>	<i>Qty.</i>	<i>Description</i>	<i>Ref.</i>	<i>Part Number</i>	<i>Qty.</i>	<i>Description</i>
2	3234-47	4	Screw-HHF	9	32151-48	2	E-Ring
3	131-3952	1	Cable Bracket ASM	10	37-8080	2	Washer-Thrust
4	131-3953	1	Cable Bracket ASM	11	32151-47	2	Ring-Retaining
5	131-3623	1	Arm-Cable, RH	12	105-1853	2	Clamp-Hose
6	131-3647	1	Arm-Cable, LH	14	105-7699	1	Strip-Seal
7	104-8300	4	Nut-Flange, NI	15	127-0118	2	Cable-Steering
8	119-7640	2	Washer-Thrust	16	3-6498	2	Washer-Thrust

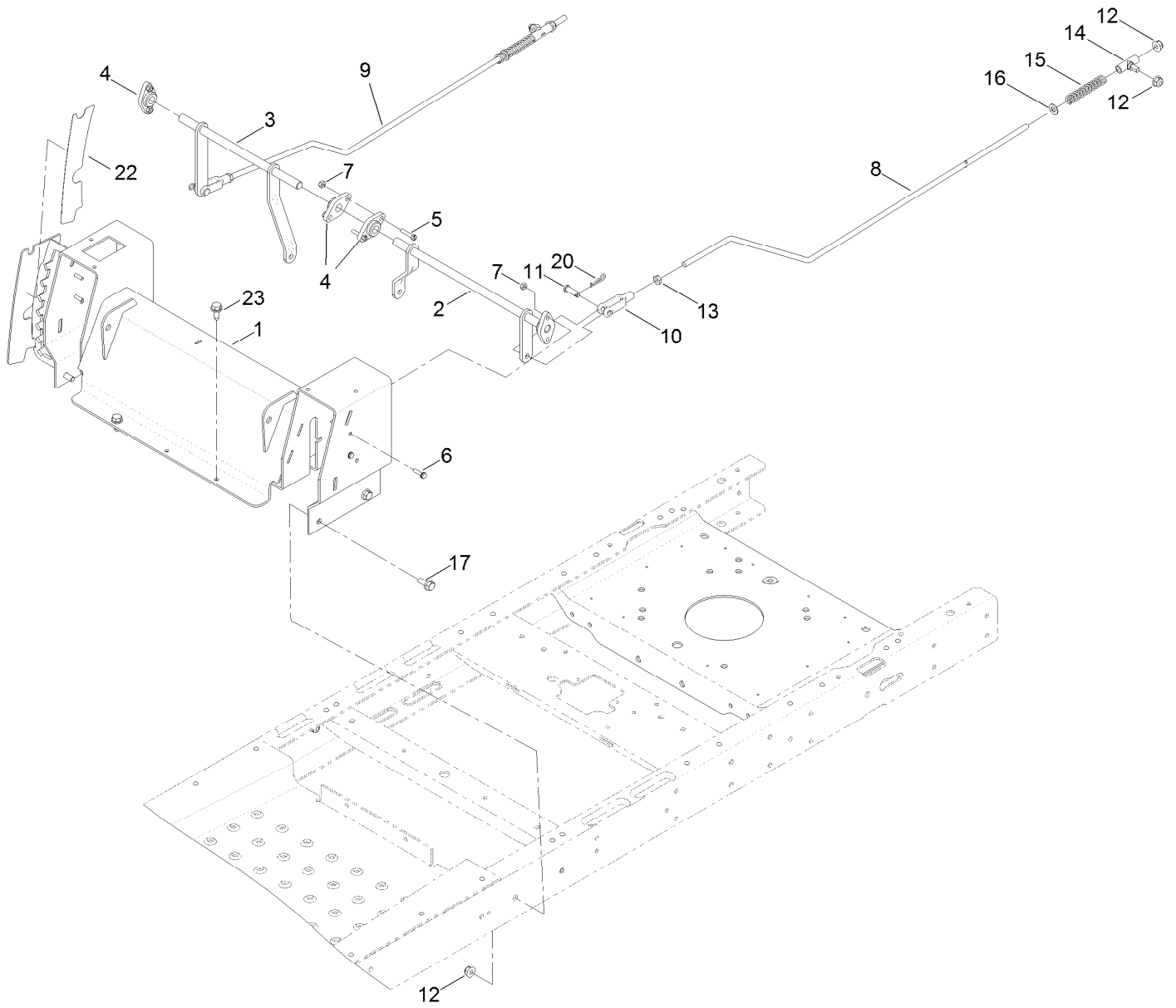
Steering Wheel Assembly



Steering Wheel Assembly (continued)

<i>Ref.</i>	<i>Part Number</i>	<i>Qty.</i>	<i>Description</i>	<i>Ref.</i>	<i>Part Number</i>	<i>Qty.</i>	<i>Description</i>
1	131-1070	1	Shroud	8	131-1029-03	1	Support-Footrest
2	131-1028	1	Cover-Pivot, Column	9	32144-4	3	Screw-HWH
3	131-1066	1	Cap-Column	10	1-513658	1	Bumper
4	131-4099	1	Rear Cover And Decal ASM	12	131-3630	1	Cap-Wheel, Steering
4:2	132-0870	1	Decal-Danger	13	99-5107	1	Nut-Lock
5	107069	2	Clip	14	131-0957	1	Wheel-Steering
7	120-7950	9	Screw-Shoulder				

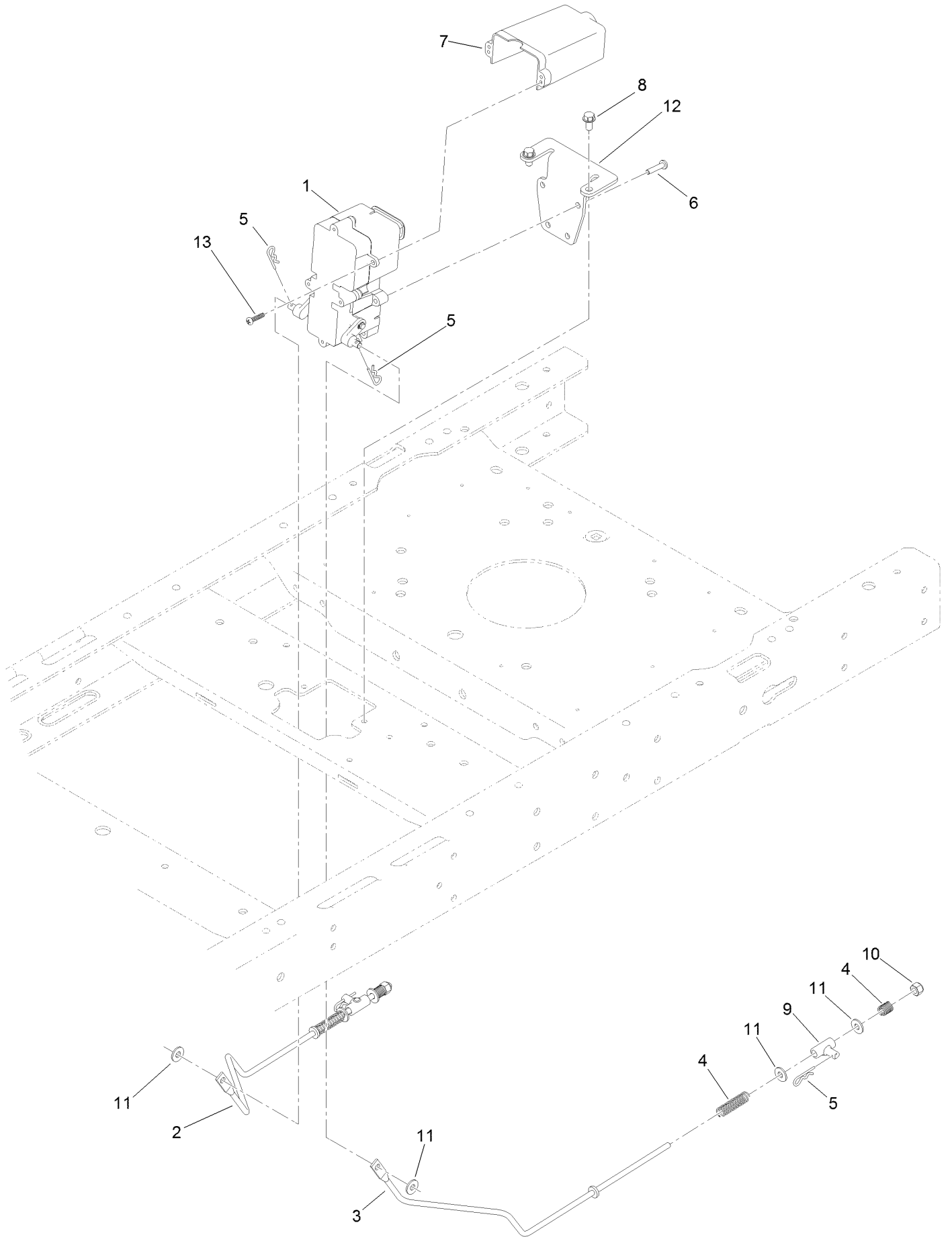
Motion Control Assembly



Motion Control Assembly (continued)

<i>Ref.</i>	<i>Part Number</i>	<i>Qty.</i>	<i>Description</i>	<i>Ref.</i>	<i>Part Number</i>	<i>Qty.</i>	<i>Description</i>
1	125-5458-03	1	Box-Control, Wide	11	1-808280	2	Pin-Clevis
2	127-0138	1	Bellcrank-LH, Wide	12	104-8300	8	Nut-Flange, NI
3	127-0134	1	Bellcrank-RH, Wide	13	3220-2	2	Nut-Jam
4	127-0146	4	Bearing- Flange	14	119-8842	2	Mount-Rod, Hydro
5	32105-12	2	Screw	15	1-603807	2	Spring-Return, Neutral
6	3290-126	4	Screw-HWH	16	3256-23	2	Washer-Flat
7	3296-2	6	Nut-Lock, NI	17	3234-47	4	Screw-HHF
8	125-1812	1	Rod-Hydro, LH	20	1-806003	2	Pin-Cotter
9	127-3378	1	Rod-Hydro, RH	22	119-8870	1	Decal-HOC
10	1-303105	2	Yoke-Adjustable	23	32144-70	2	Screw-HWHTF

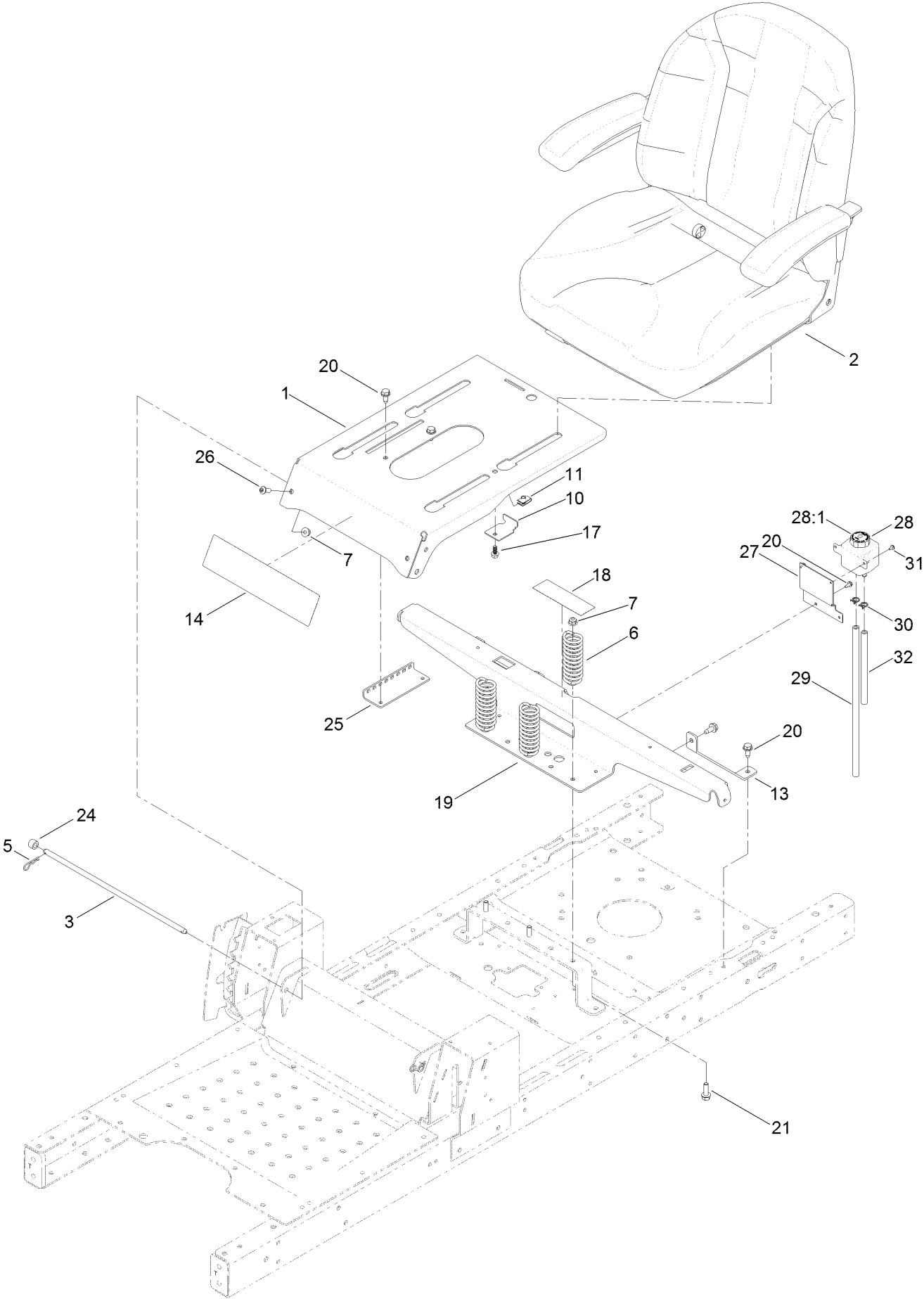
Brake Box Assembly



Brake Box Assembly (continued)

<i>Ref.</i>	<i>Part Number</i>	<i>Qty.</i>	<i>Description</i>	<i>Ref.</i>	<i>Part Number</i>	<i>Qty.</i>	<i>Description</i>
1	130-0795	1	Brake Box ASM	8	32144-4	2	Screw-HWH
2	119-8811	1	Rod-Brake, RH	9	119-8857	2	Mount-Pivot
3	119-8812	1	Rod-Brake, LH	10	3296-42	2	Nut-Lock, NI
4	121-5654	4	Spring-Compression	11	119-8952	6	Washer
5	3290-307	4	Pin-Cotter	12	130-0790-03	1	Bracket-Mount, Brake
6	32144-36	4	Screw-PPH	13	94-4496	2	Screw-PPH
7	130-6974	1	Cover-Connector				

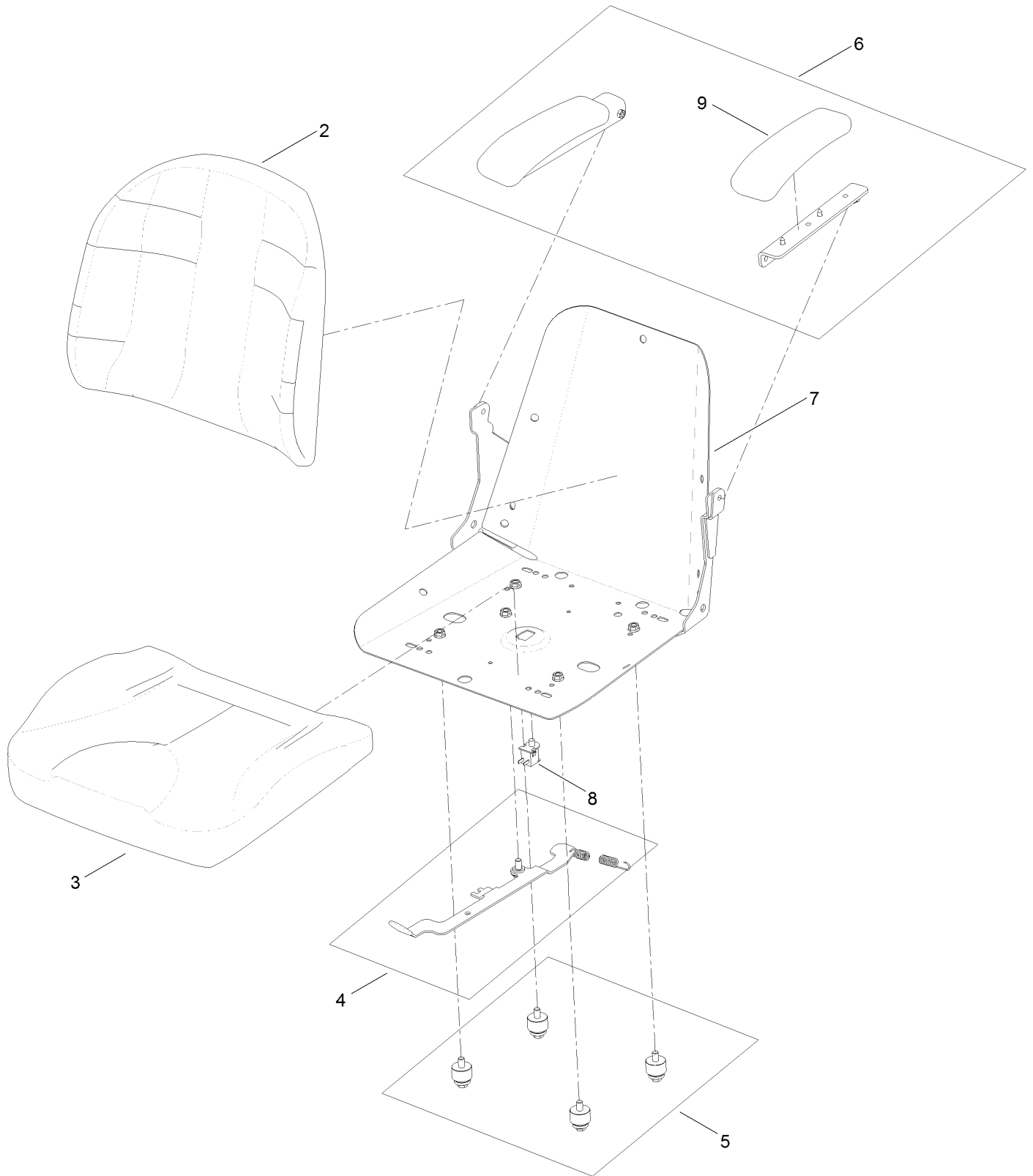
Seat Assembly



Seat Assembly (continued)

<i>Ref.</i>	<i>Part Number</i>	<i>Qty.</i>	<i>Description</i>	<i>Ref.</i>	<i>Part Number</i>	<i>Qty.</i>	<i>Description</i>
1	132-0919-03	1	Pan-Seat	20	32144-70	7	Screw-HWHTF
2	131-4147	1	Seat ASM	21	3234-29	3	Screw-HHF
3	115-4966	1	Rod-Stop	24	1-413088	2	Bushing-Lever, Lift
5	3290-250	2	Pin-Cotter	25	131-4008-03	1	Bracket-Latch, Seat
6	92-7054	3	Spring-Compression	26	131-4080	2	Screw-HSBH
7	104-8300	5	Nut-Flange, NI	27	120-7970-03	1	Mount-Tank
10	131-1038	1	Bracket-Stop, Seat	28	109-2250	1	Vent-Tank, HYD
11	107069	1	Clip	28:1	109-3320	1	Cap-Reservoir, HYD
13	119-3431-03	2	Support-Tank, Rear	29	121-2951	1	Hose-Overflow
14	131-3660	1	Decal-Timecutter	30	117-1193	4	Clamp-Hose
17	99-6810	1	Screw-HHF	31	46-8560	2	Screw-HHFTF
18	106-8717	1	Decal-Service	32	121-2952	1	Hose-Overflow
19	131-1039-03	1	Support-Pod, Wide				

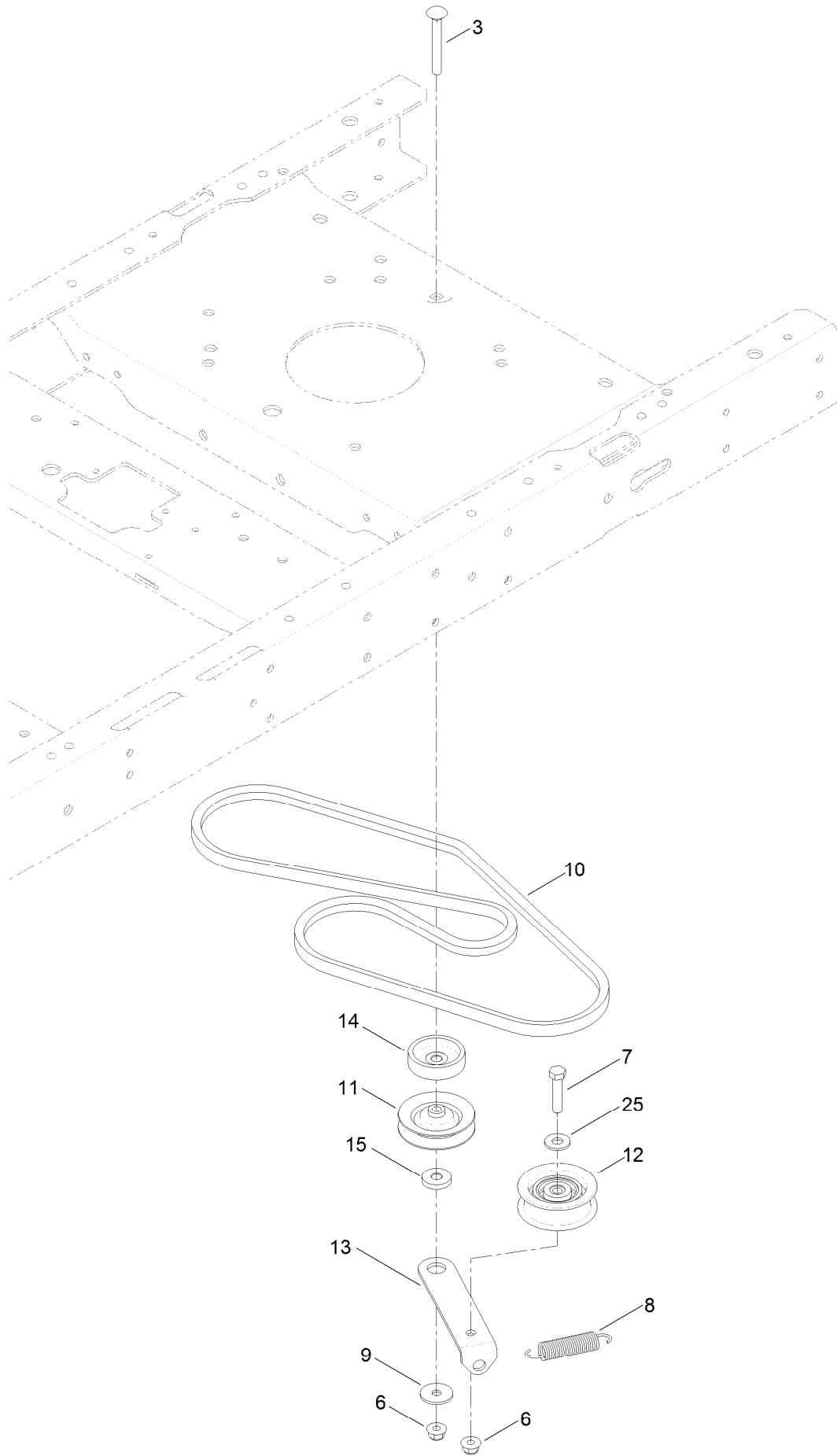
Seat Assembly No. 131-4147



Seat Assembly No. 131-4147 (continued)

<i>Ref.</i>	<i>Part Number</i>	<i>Qty.</i>	<i>Description</i>	<i>Ref.</i>	<i>Part Number</i>	<i>Qty.</i>	<i>Description</i>
2	131-4149	1	Cushion-Seat, Back	6	131-4155	1	Armrest Kit
3	131-4151	1	Cushion-Seat, Bottom	7	131-4156	1	Shell
4	131-4153	1	Track ASM	8	82-2190	1	Switch-Bail
5	131-4154	1	Bushing ASM	9	110-4163	2	Cushion-Rest, Arm

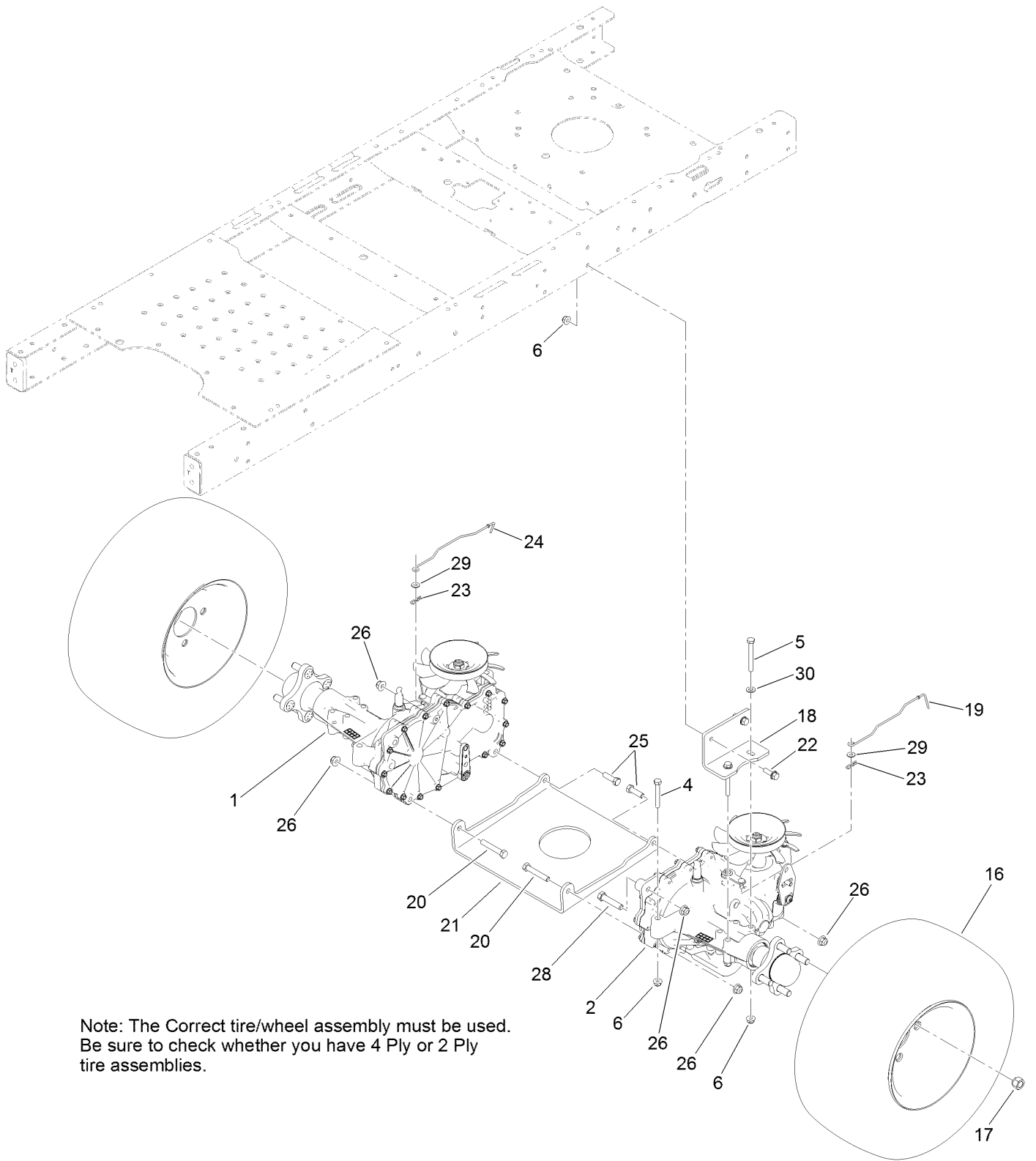
Belt and Idler Assembly



Belt and Idler Assembly (continued)

<i>Ref.</i>	<i>Part Number</i>	<i>Qty.</i>	<i>Description</i>	<i>Ref.</i>	<i>Part Number</i>	<i>Qty.</i>	<i>Description</i>
3	3230-8	1	Screw-CARR	11	119-8822	1	Pulley-Idler
6	104-8300	2	Nut-Flange, NI	12	106-2176	1	Pulley-Idler
7	322-7	1	Screw-HH	13	119-3326	1	Arm-Idler
8	104-6415	1	Spring-Return, Pedal	14	119-3353	1	Spacer
9	5-4460	1	Washer-Pivot	15	119-3327	1	Spacer-Arm, Idler
10	130-6976	1	V-Belt	25	3256-3	1	Washer-Flat

Hydro Transaxle Drive and Rear Wheel Assembly

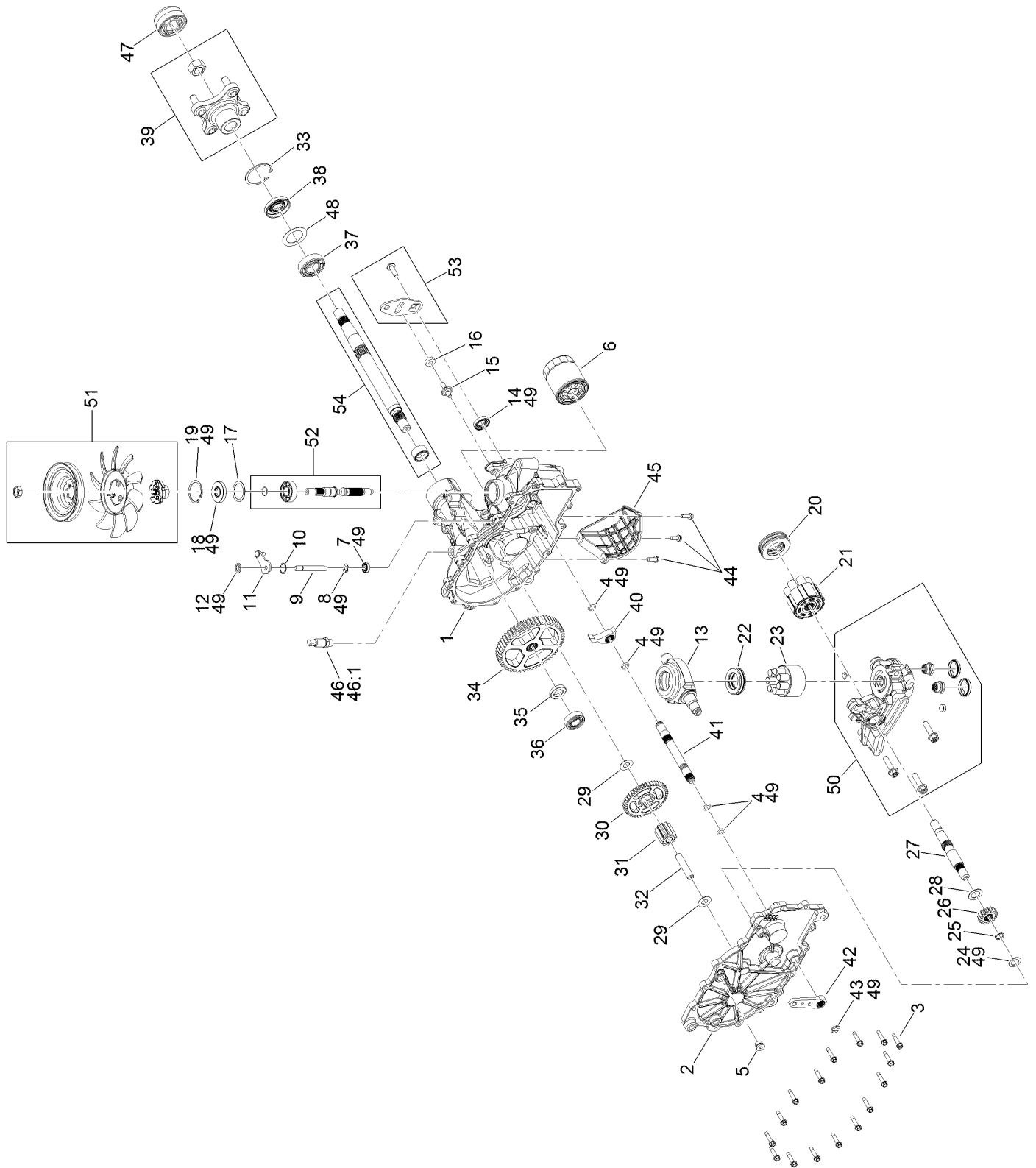


Note: The Correct tire/wheel assembly must be used.
Be sure to check whether you have 4 Ply or 2 Ply
tire assemblies.

Hydro Transaxle Drive and Rear Wheel Assembly (continued)

<i>Ref.</i>	<i>Part Number</i>	<i>Qty.</i>	<i>Description</i>	<i>Ref.</i>	<i>Part Number</i>	<i>Qty.</i>	<i>Description</i>
1	130-6961	1	RH Hydro Transmission ASM	19	130-7048	1	Rod-Bypass, LH
2	130-6960	1	LH Hydro Transmission ASM	20	323-11	2	Screw-HH
4	322-11	4	Screw-HH	21	130-0718-01	1	Plate-Cross, Hydro
5	322-13	4	Screw-HH	22	3234-29	4	Screw-HHF
6	104-8300	12	Nut-Flange, NI	23	3290-307	2	Pin-Cotter
16	109-5268	2	4 Ply Wheel And Tire ASM	24	130-7047	1	Rod-Bypass, RH
16	131-3673	2	2 Ply Tire And Wheel ASM	25	323-7	2	Screw-HH
17	242-50	8	Nut-Lug	26	104-8301	6	Nut-Flange, NI
18	121-0745-01	2	Mount-Hydro	28	323-9	2	Screw-HH
				29	119-8952	2	Washer
				30	3256-23	6	Washer-Flat

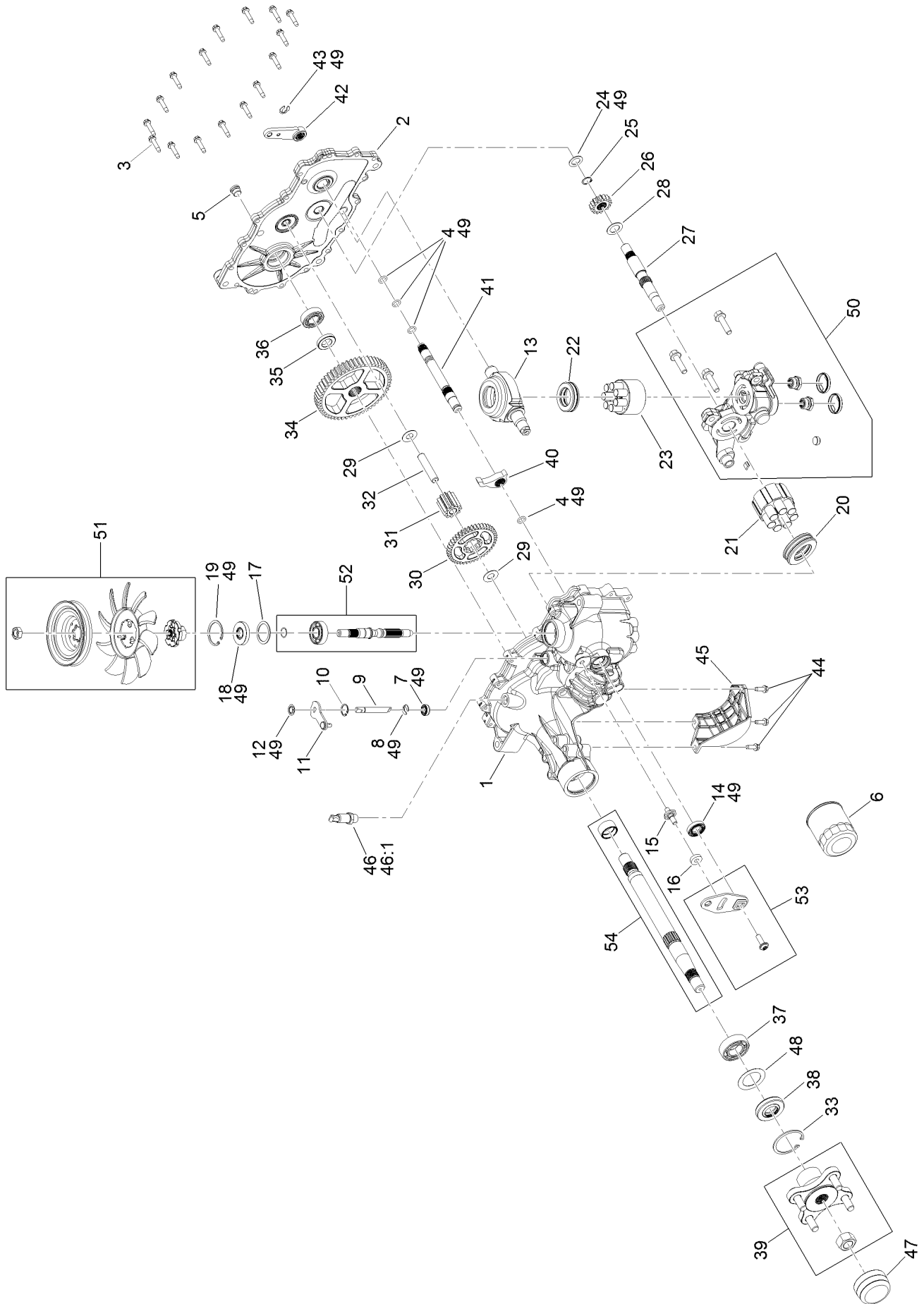
RH Transaxle Assembly No. 130-6961



RH Transaxle Assembly No. 130-6961 (continued)

<i>Ref.</i>	<i>Part Number</i>	<i>Qty.</i>	<i>Description</i>	<i>Ref.</i>	<i>Part Number</i>	<i>Qty.</i>	<i>Description</i>
1	121-5748	1	Main Housing Kit	29	94-1933	2	Washer
2	132-0938	1	Kit-Side Cover (LH)	30	125-0000	1	Gear-43T
3	117-5359	16	Screw-HHF	31	114-1693	1	Gear-11T
4	114-1678	4	O-Ring	32	104-5329	1	Pin-Jackshaft
5	104-2189	1	Plug-Thread, Straight	33	104-2169	1	Ring-Retaining
6	109-3321	1	Element-Oil Filter, HYD	34	114-1694	1	Gear-54T
7	106-8676	1	Seal-Lip	35	120-7975	1	Spacer
8	106-8677	1	Ring-Retaining, EXT	36	126-0789	1	Bearing-Ball
9	114-1685	1	Rod-Bypass	37	120-7976	1	Bearing-Ball
10	106-8679	1	Ring-Retaining, Int	38	104-2144	1	Seal
11	107-2490	1	Arm-Bypass	39	109-5939	1	Hub Kit
12	106-8681	1	Ring-Retaining, EXT	40	114-1697	1	Pawl-Brake
13	104-5304	1	Swashplate-Trunnion	41	114-1698	1	Shaft-Brake, Inboard
14	104-5313	1	Seal-Lip	42	125-0021	1	Handle-Brake
15	104-2116	1	Stud	43	131-0906	1	Ring-Retaining, EXT
16	112-9853	1	Puck-Friction	44	104-2120	3	Screw
17	104-5308	1	Spacer	45	120-7979	1	Guard-Filter, LH
18	104-5310	1	Seal-Lip	46	109-3278	1	Adapter-Straight
19	104-5309	1	Ring-Retaining	46:1	237-42	1	O-Ring
20	112-4154	1	Bearing-Thrust	47	115-5057	1	Cover-Nut, Axle
21	114-1689	1	Motor Cylinder Block Kit	48	121-5745	1	Spacer
22	94-6922	1	Bearing-Thrust	49	109-3537	1	Seal Kit
23	110-8561	1	Pump Block ASM	50	125-0036	1	Center Section Kit
24	104-5339	1	Washer-Flat	51	121-5746	1	Fan Pulley Kit
25	104-5340	1	Ring-Retaining	52	114-8468	1	Input Shaft Kit
26	121-5749	1	Gear-16T, Steel	53	117-5362	1	Arm Control Kit
27	114-1691	1	Shaft-Motor	54	114-8470	1	Axle Shaft Kit
28	104-5360	1	Washer				

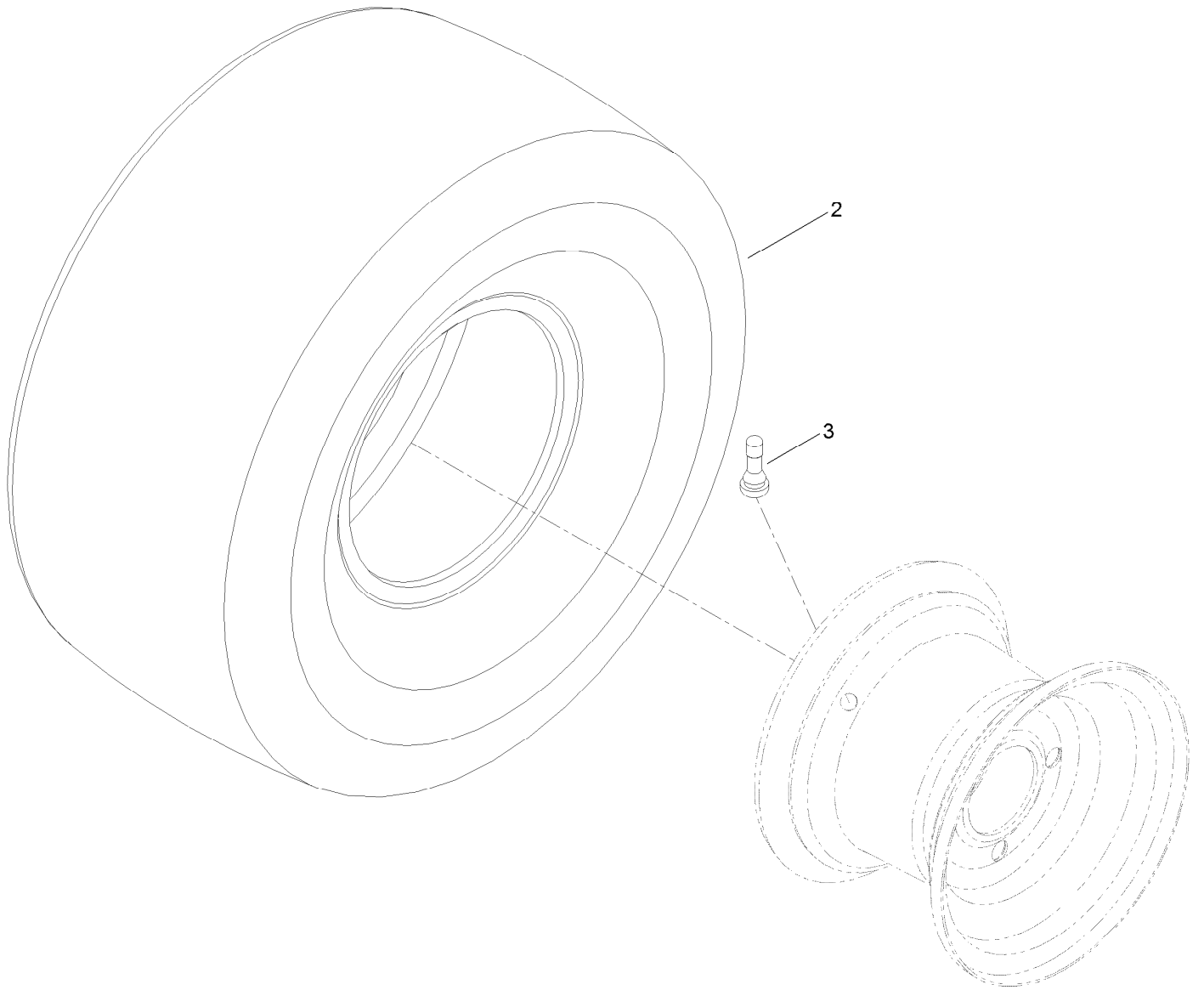
LH Transaxle Assembly No. 130-6960



LH Transaxle Assembly No. 130-6960 (continued)

<i>Ref.</i>	<i>Part Number</i>	<i>Qty.</i>	<i>Description</i>	<i>Ref.</i>	<i>Part Number</i>	<i>Qty.</i>	<i>Description</i>
1	125-0037	1	Main Housing Kit	29	94-1933	2	Washer
2	132-0939	1	Side Cover Kit (RH)	30	125-0000	1	Gear-43T
3	117-5359	16	Screw-HHF	31	114-1693	1	Gear-11T
4	114-1678	4	O-Ring	32	104-5329	1	Pin-Jackshaft
5	104-2189	1	Plug-Thread, Straight	33	104-2169	1	Ring-Retaining
6	109-3321	1	Element-Oil Filter, HYD	34	114-1694	1	Gear-54T
7	106-8676	1	Seal-Lip	35	120-7975	1	Spacer
8	106-8677	1	Ring-Retaining, EXT	36	126-0789	1	Bearing-Ball
9	114-1685	1	Rod-Bypass	37	120-7976	1	Bearing-Ball
10	106-8679	1	Ring-Retaining, Int	38	104-2144	1	Seal
11	112-9852	1	Arm-Bypass	39	109-5939	1	Hub Kit
12	106-8681	1	Ring-Retaining, EXT	40	114-1697	1	Pawl-Brake
13	104-5304	1	Swashplate-Trunnion	41	114-1698	1	Shaft-Brake, Inboard
14	104-5313	1	Seal-Lip	42	125-0021	1	Handle-Brake
15	104-2116	1	Stud	43	131-0906	1	Ring-Retaining, EXT
16	112-9853	1	Puck-Friction	44	104-2120	3	Screw
17	104-5308	1	Spacer	45	120-7981	1	Guard-Filter, RH
18	104-5310	1	Seal-Lip	46	109-3278	1	Adapter-Straight
19	104-5309	1	Ring-Retaining	46:1	237-42	1	O-Ring
20	112-4154	1	Bearing-Thrust	47	115-5057	1	Cover-Nut, Axle
21	114-1689	1	Motor Cylinder Block Kit	48	121-5745	1	Spacer
22	94-6922	1	Bearing-Thrust	49	109-3537	1	Seal Kit
23	110-8561	1	Pump Block ASM	50	132-0940	1	Centersection Kit (RH)
24	104-5339	1	Washer-Flat	51	121-5746	1	Fan Pulley Kit
25	104-5340	1	Ring-Retaining	52	114-8468	1	Input Shaft Kit
26	121-5749	1	Gear-16T, Steel	53	117-5362	1	Arm Control Kit
27	114-1691	1	Shaft-Motor	54	114-8470	1	Axle Shaft Kit
28	104-5360	1	Washer				

4 Ply Wheel and Tire Assembly No. 109-5268



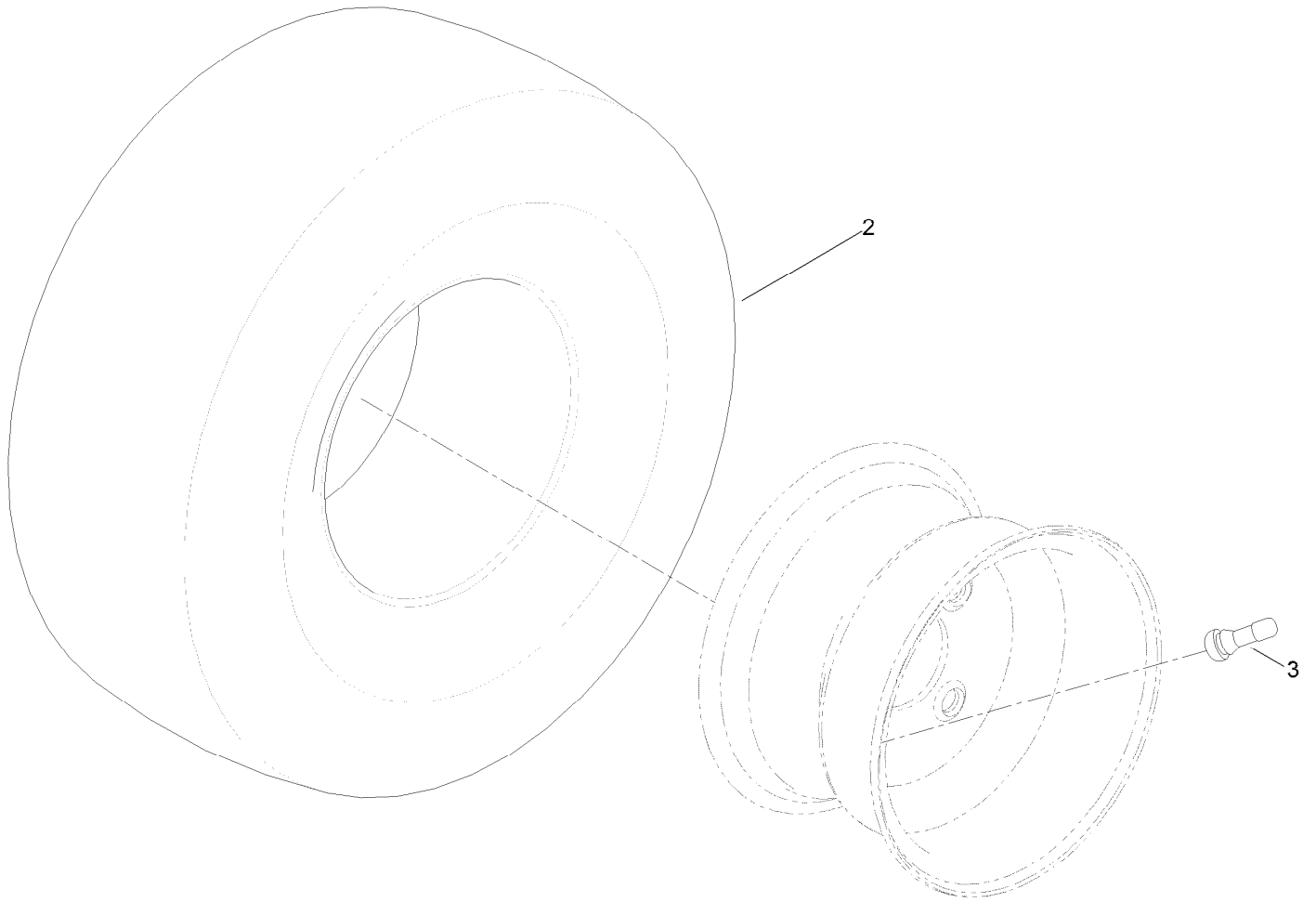
4 Ply Wheel and Tire Assembly No. 109-5268 (continued)

<i>Ref.</i>	<i>Part Number</i>	<i>Qty.</i>	<i>Description</i>
2	109-5269	1	Tire-4 Ply
3	232-27	1	Stem-Valve
4	93-3893	1	Tube-Inner ●■

● Not illustrated

■ Optional Equipment

2 Ply Wheel and Tire Assembly No. 131-3673



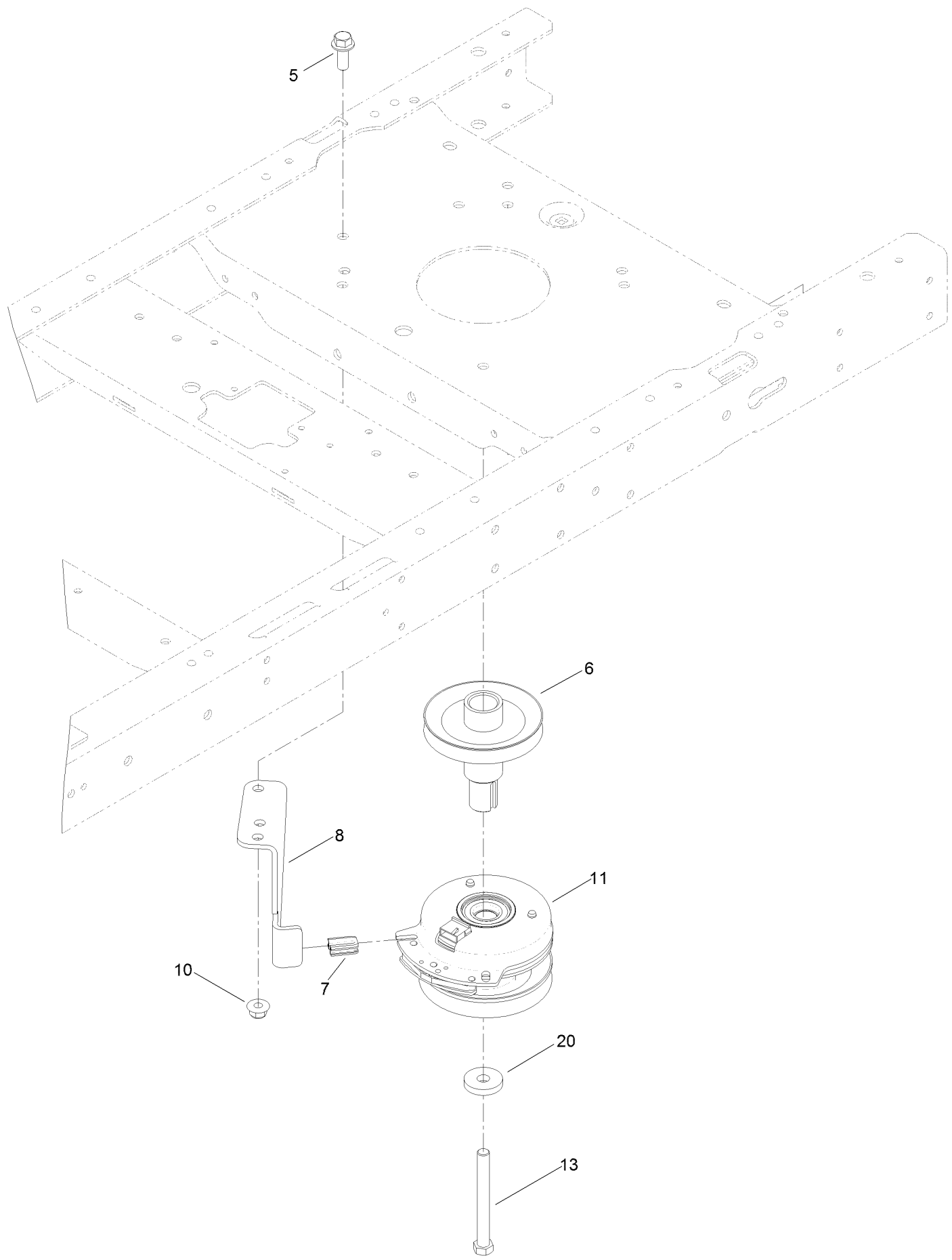
2 Ply Wheel and Tire Assembly No. 131-3673 (continued)

<i>Ref.</i>	<i>Part Number</i>	<i>Qty.</i>	<i>Description</i>
2	131-3680	1	Tire-2 Ply
3	232-27	1	Stem-Valve
4	93-3893	1	Tube-Inner ●■

● Not illustrated

■ Optional Equipment

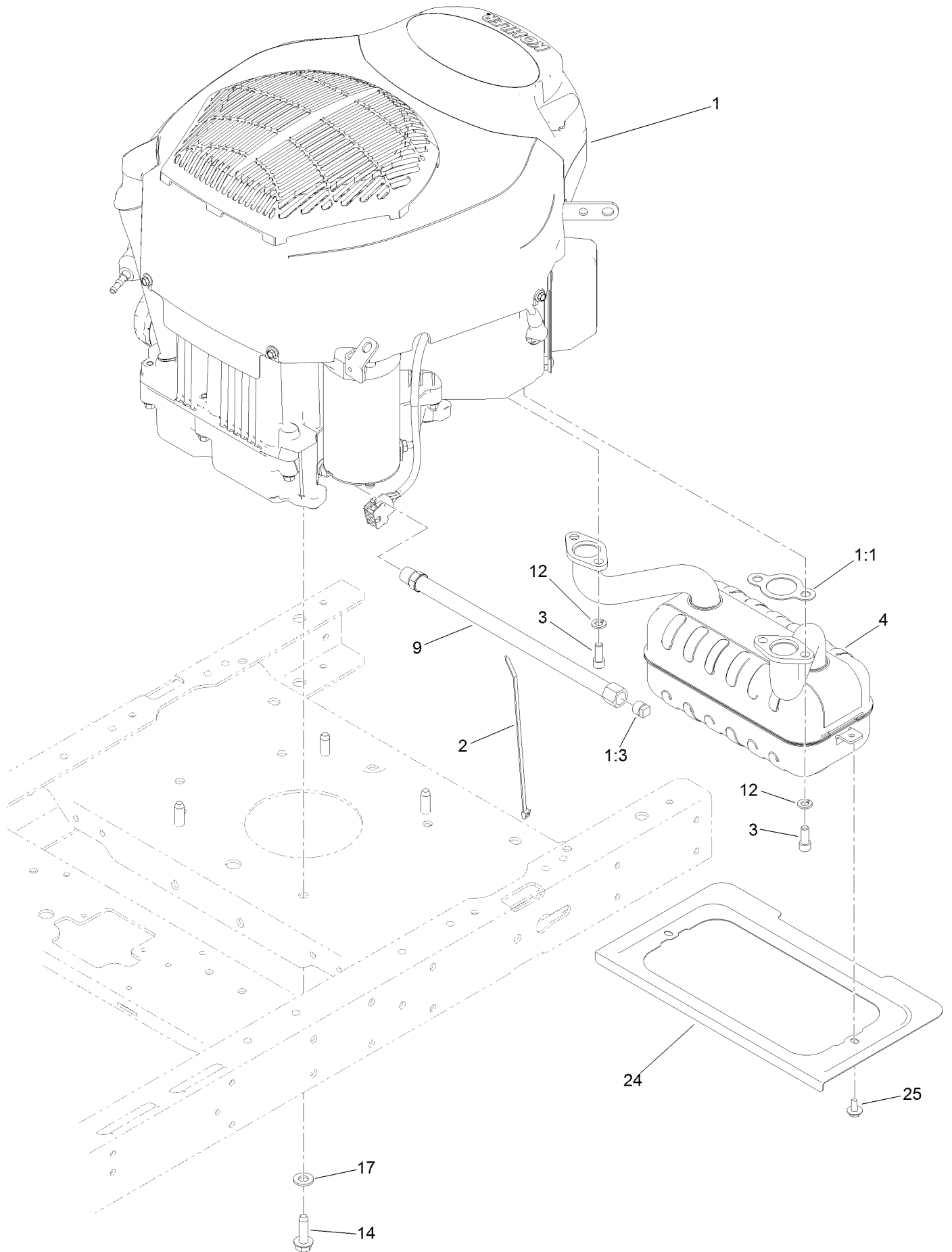
Clutch Assembly



Clutch Assembly (continued)

<i>Ref.</i>	<i>Part Number</i>	<i>Qty.</i>	<i>Description</i>	<i>Ref.</i>	<i>Part Number</i>	<i>Qty.</i>	<i>Description</i>
5	3234-42	1	Screw-HHF	10	104-8301	1	Nut-Flange, NI
6	130-6854	1	Pulley-Engine	11	127-3410	1	Clutch-PTO
7	120-2217	1	Isolator-Clutch	13	3212-19	1	Screw-HH
8	119-8885	1	Stop-Clutch	20	112843	1	Washer

Engine and Muffler Assembly



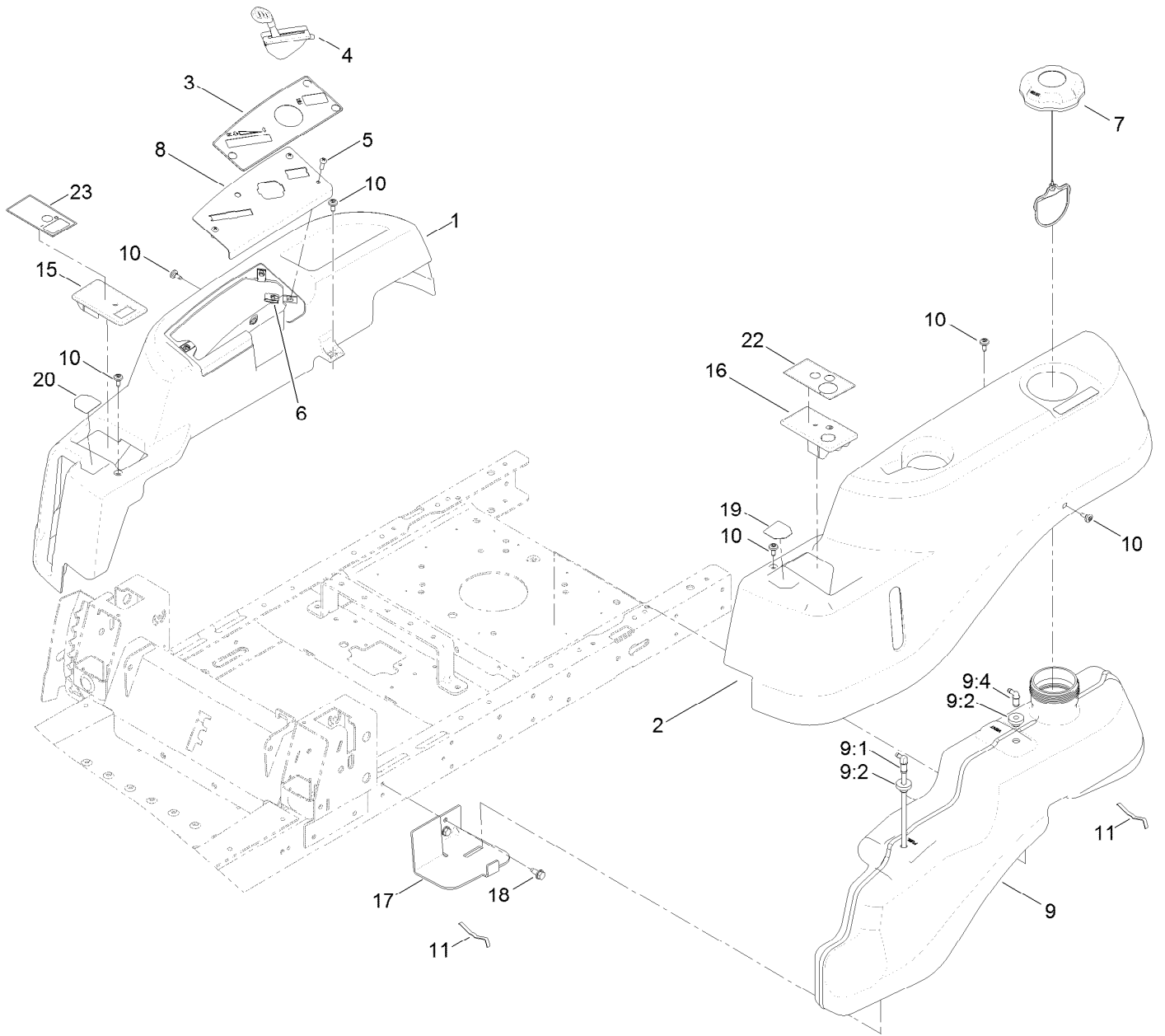
Engine and Muffler Assembly (continued)

<i>Ref.</i>	<i>Part Number</i>	<i>Qty.</i>	<i>Description</i>	<i>Ref.</i>	<i>Part Number</i>	<i>Qty.</i>	<i>Description</i>
1		1	Engine-Kohler 22 HP 7000 Series Carb ●■	9	117-1261	1	Hose-Drain, Oil
1:1	110-6697	2	Gasket-Exhaust	12	3253-4	4	Washer-Lock 5/16
1:3	281-2	1	Plug-Pipe	14	32144-109	4	Screw-HWH 3/8-16 X 1 1/4 Taptite
2	614249	1	Tie-Cable	17	3256-24	3	Washer-3/8 Sae
3	3274-10	4	Screw-HSH 5/16-18 X 3/4	24	131-1071-03	1	Shield-Heat
4	117-7462	1	Muffler-Kohler	25	46-8560	2	Screw-HHF 1/4-20 X 1/2

● Not serviced separately

■ Obtain parts from www.kohlerplus.com

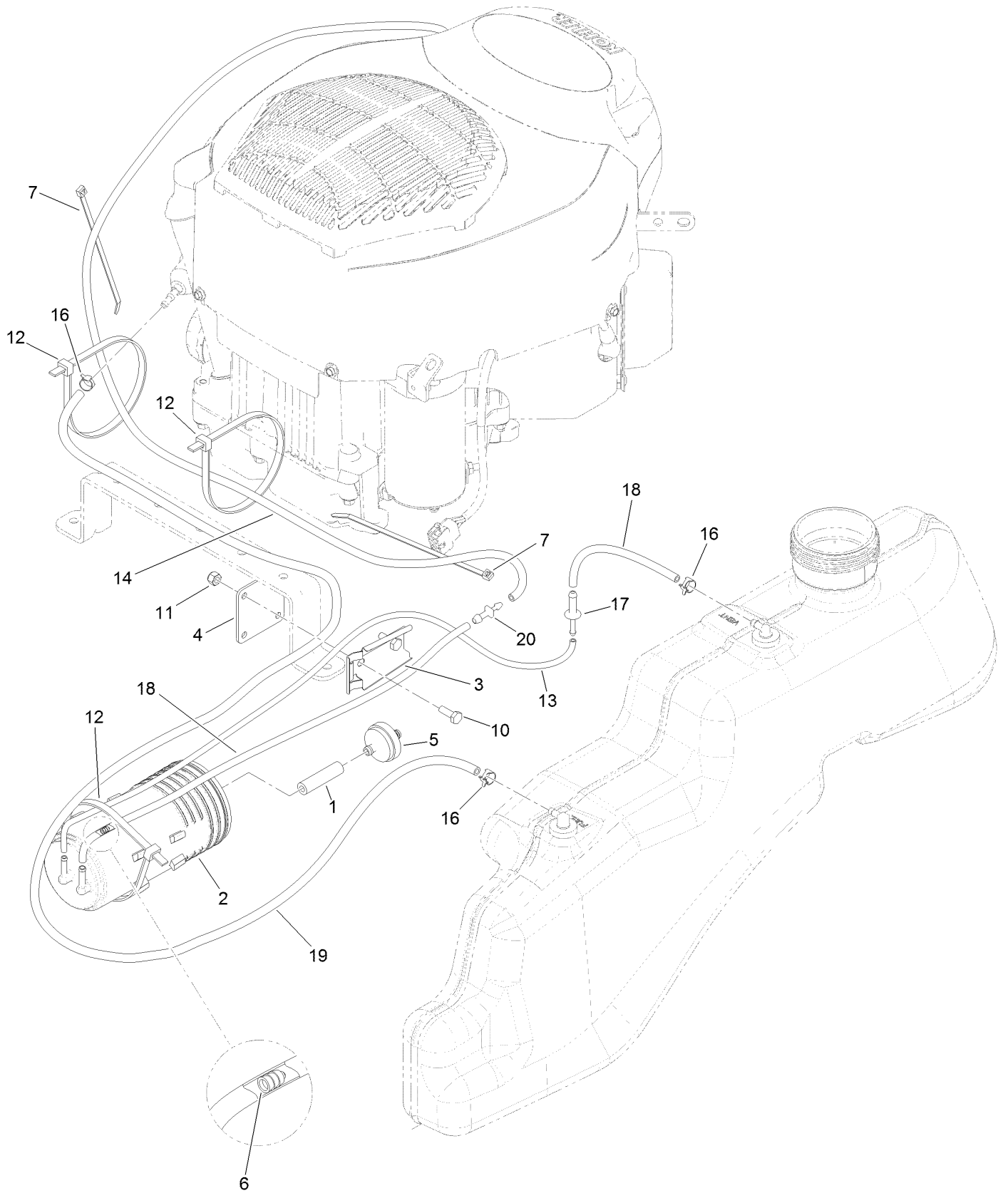
Body Styling and Fuel Tank Assembly



Body Styling and Fuel Tank Assembly (continued)

<i>Ref.</i>	<i>Part Number</i>	<i>Qty.</i>	<i>Description</i>	<i>Ref.</i>	<i>Part Number</i>	<i>Qty.</i>	<i>Description</i>
1	119-3338	1	Pod-RH	9:4	117-7400	1	Fitting-Plastic
2	119-3337	1	Pod-LH	10	120-7950	8	Screw-Shoulder
3	131-4162	1	Decal-Panel, Control	11	609830	2	Spring
4	131-1006	1	Cable-Throttle	15	130-7039	1	Cover-RH
5	3258-166	3	Screw-PRH	16	130-7040	1	Cover-LH
6	107069	3	Clip	17	119-3395-03	1	Support-Tank, Front
7	120-5461	1	Cap-Fuel, Ratcheting	18	32144-70	2	Screw-HWHTF
8	119-3377-03	1	Plate-Control	19	131-3621	1	Decal-Nmir
9	119-3324	1	Fuel Tank ASM	20	131-3620	1	Decal-Control, Pedal
9:1	121-0793	1	Connector-Elbow, 90 DEG	22	131-3664	1	Decal-Keychoice
9:2	46-6560	2	Bushing	23	131-3954	1	Decal-Brake, Parking

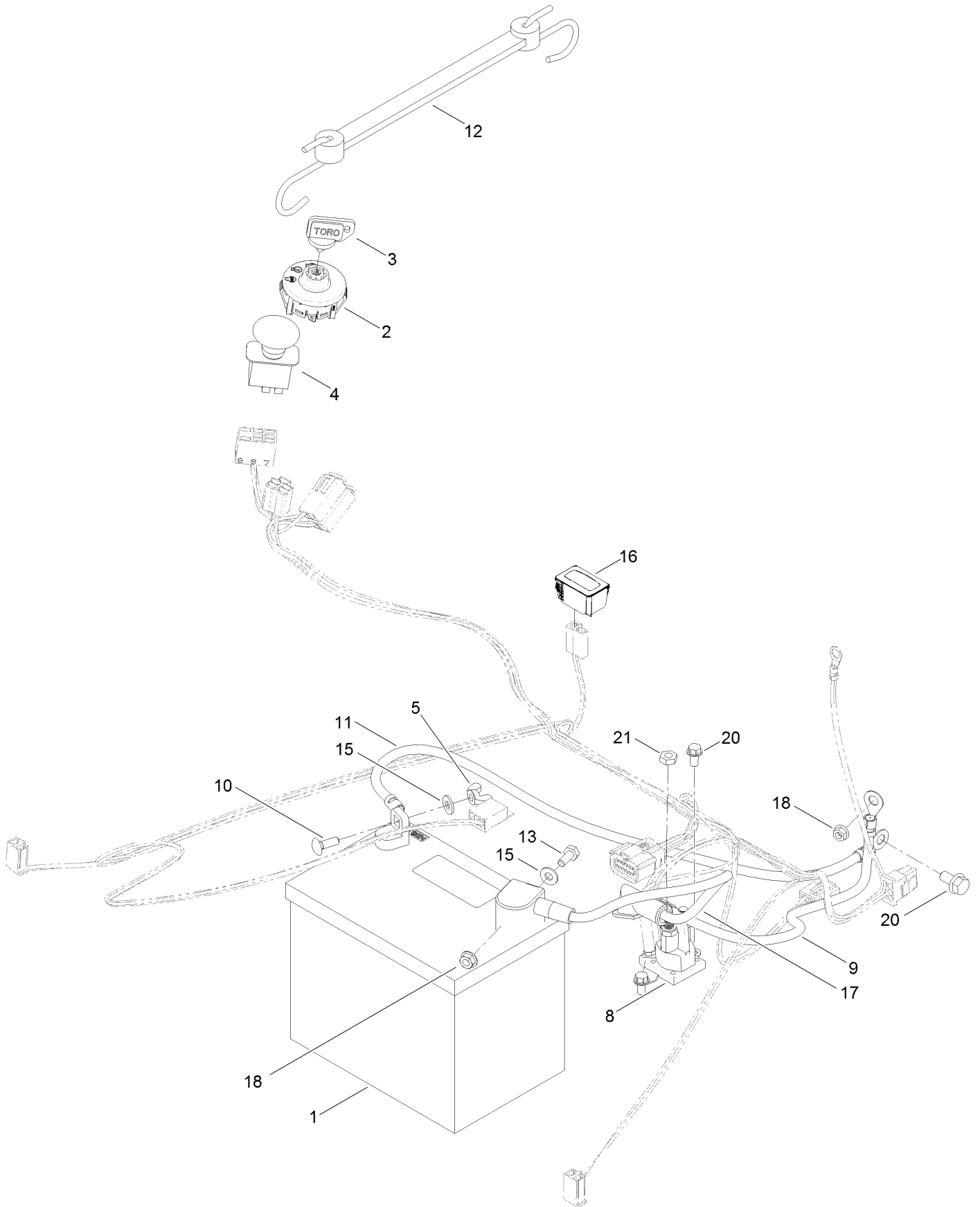
Fuel Delivery Assembly



Fuel Delivery Assembly (continued)

<i>Ref.</i>	<i>Part Number</i>	<i>Qty.</i>	<i>Description</i>	<i>Ref.</i>	<i>Part Number</i>	<i>Qty.</i>	<i>Description</i>
1	99-9415	1	Hose-Fuel	12	3334-945	3	Tie-Cable
2	117-1221	1	Canister-Carbon, 800Cc	13	121-3003	1	Hose-Fuel
3	114-0292	1	Bracket-Canister, Carbon	14	132-0918	1	Hose-Fuel
4	119-8992-03	1	Plate-Adapter	16	2412-98	3	Clamp-Hose
5	115-7854	1	Filter-Fuel, Inline	17	117-5399	1	Adaptor-Orifice
6	120-2038	1	Cartridge-Cv	18	110-1876	2	Hose-Fuel
7	614249	2	Tie-Cable	19	109-0273	1	Hose-Fuel
10	321-4	2	Screw-HH	20	106-8150	1	Fitting-Straight
11	3296-42	2	Nut-Lock, NI				

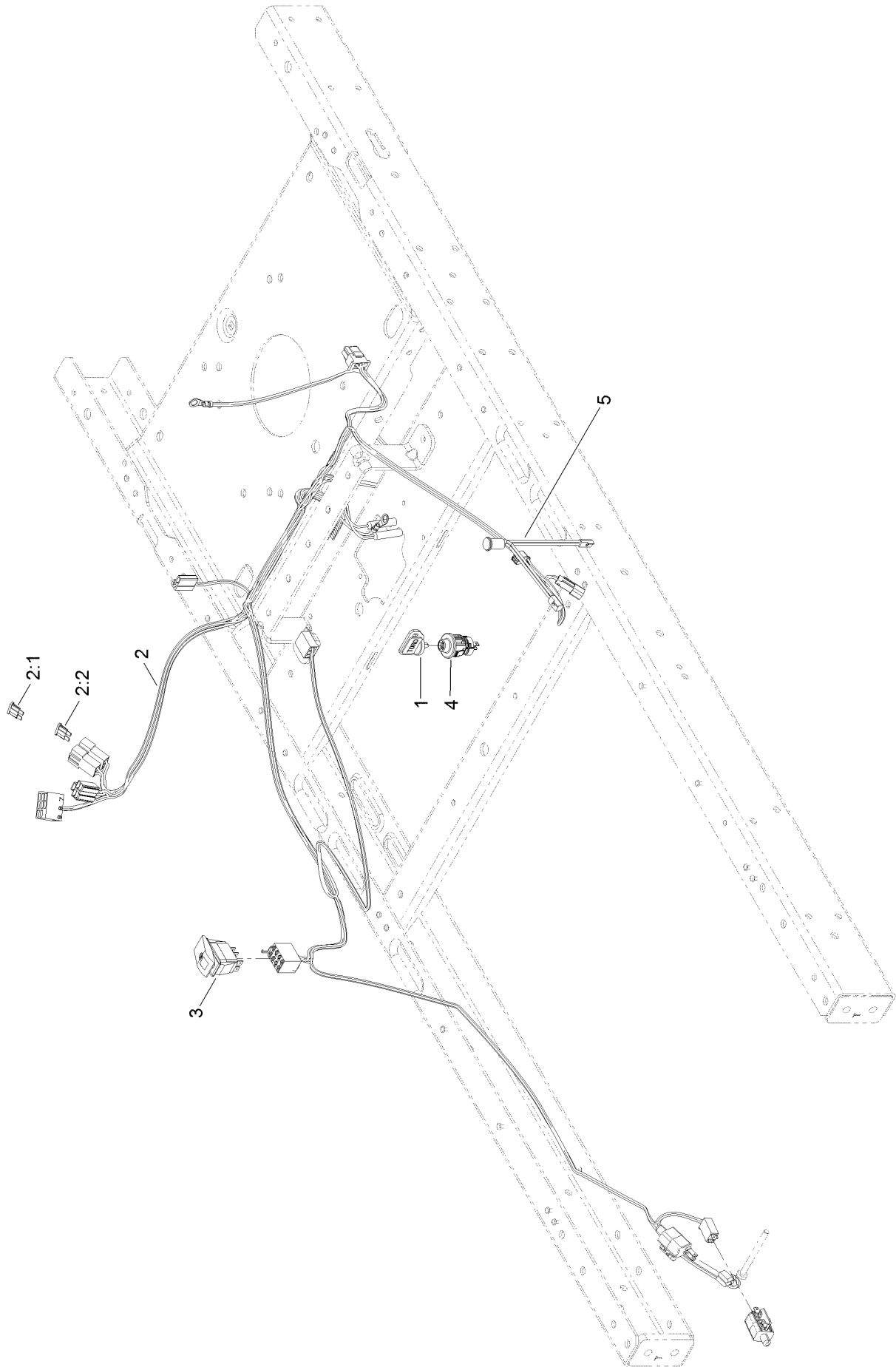
Battery and Electrical Assembly



Battery and Electrical Assembly (continued)

<i>Ref.</i>	<i>Part Number</i>	<i>Qty.</i>	<i>Description</i>	<i>Ref.</i>	<i>Part Number</i>	<i>Qty.</i>	<i>Description</i>
1	105-1692	1	Battery-Dry	12	104-2466	1	Holddown-Battery
2	117-2221	1	Switch-Ignition	13	321-3	1	Screw-HH
3	63-8360	1	Key-Ignition	15	3256-22	2	Washer-Flat
4	114-0279	1	Switch-PTO	16	120-2244	1	Hourmeter
5	32103-22	1	Nut-Wing	17	119-8897	1	Cable-Battery, Red
8	117-1197	1	Solenoid	18	32128-33	2	Nut-HF
9	121-0711	1	Cable-Battery, Positive	20	32144-4	2	Screw-HWH
10	3229-1	1	Bolt-CARR	21	3220-2	2	Nut-Jam
11	121-5726	1	Cable-Battery, Black				

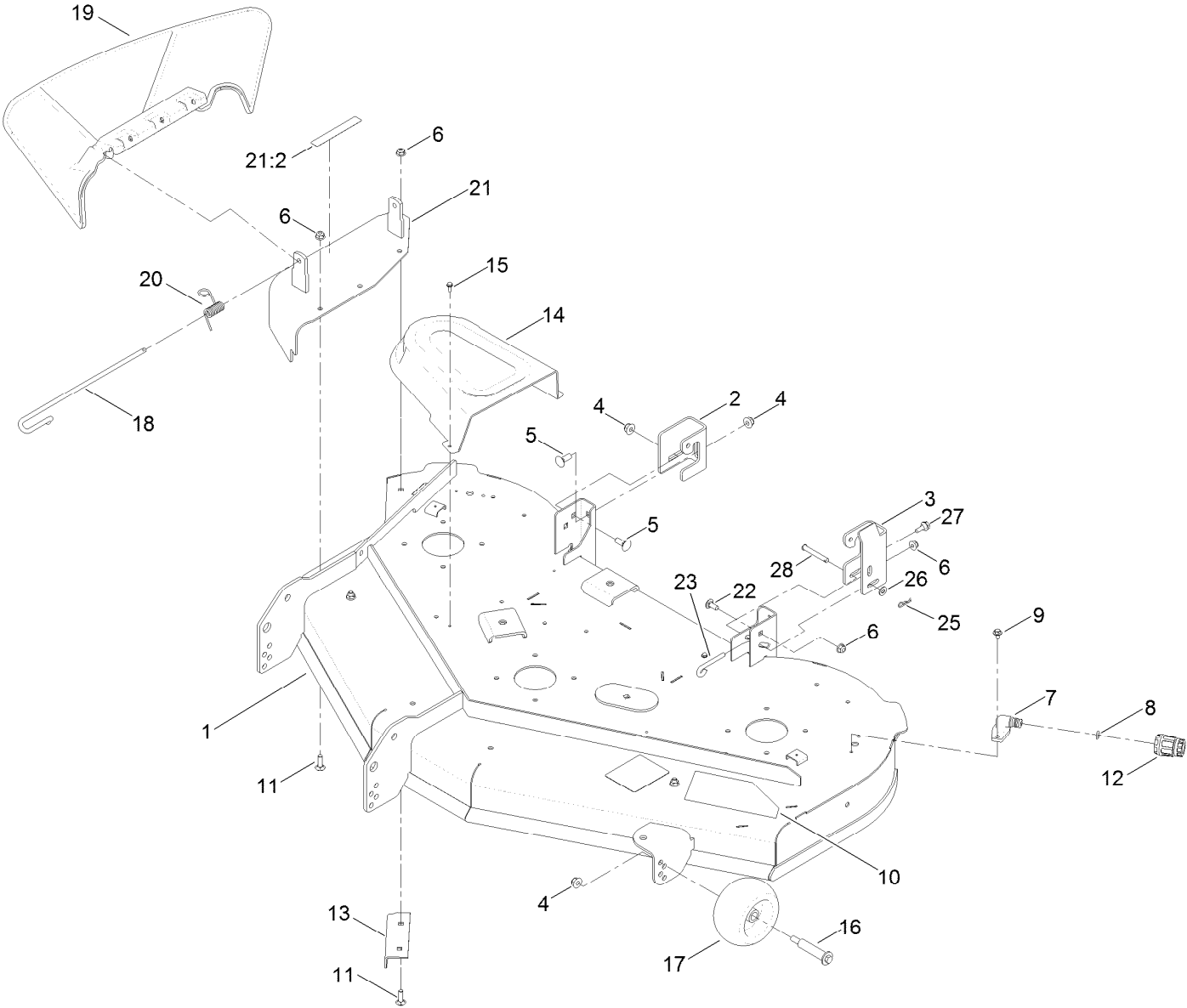
Wire Harness Assembly



Wire Harness Assembly (continued)

<i>Ref.</i>	<i>Part Number</i>	<i>Qty.</i>	<i>Description</i>	<i>Ref.</i>	<i>Part Number</i>	<i>Qty.</i>	<i>Description</i>
1	131-3639	1	Key-Toro	3	130-6874	1	Switch-Rocker, (On)-Off-(On)
2	132-0925	1	Harness-Wire	4	119-3068	1	Switch-Momentary, N.O.
2:1	109103	1	Fuse-Blade, 30 Amp	5	131-4136	1	Light-Indicator
2:2	109102	1	Fuse-Blade, 25 Amp				

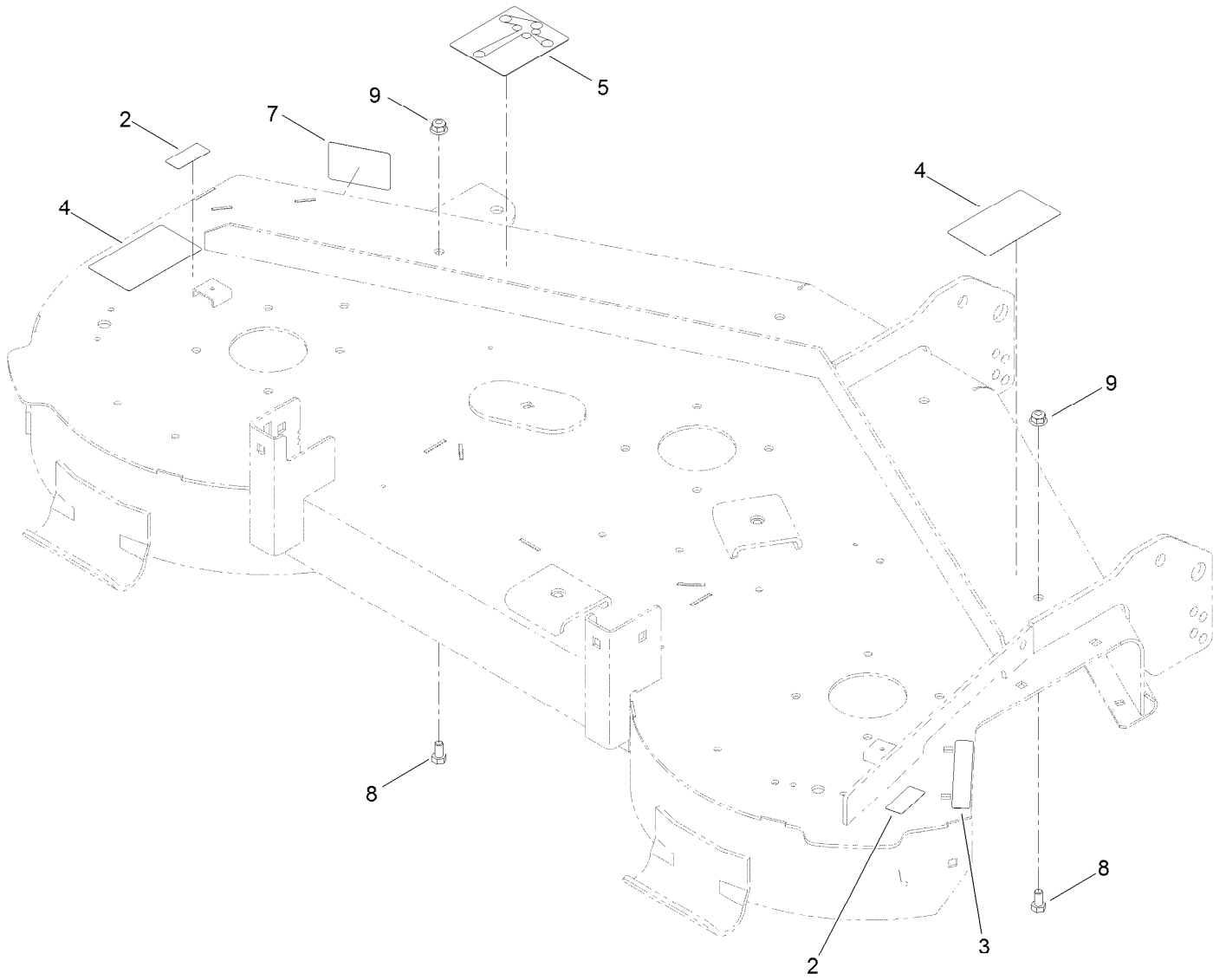
50 Inch Deck Assembly



50 Inch Deck Assembly (continued)

<i>Ref.</i>	<i>Part Number</i>	<i>Qty.</i>	<i>Description</i>	<i>Ref.</i>	<i>Part Number</i>	<i>Qty.</i>	<i>Description</i>
1	131-3612	1	50 Inch Deck And Decal ASM	15	32144-1	6	Screw-Taptite
2	131-4138	1	Bracket-Hanger, RH	16	112-3977	3	Bolt-Shoulder
3	131-3935	1	Bracket-Hanger, LH	17	1-603299	3	Roller-Scalp, Anti
4	104-8301	5	Nut-Flange, NI	18	109-8854	1	Pin-Chute
5	3231-2	2	Bolt-CARR	19	121-0739	1	Deflector-Discharge
6	104-8300	6	Nut-Flange, NI	20	121-2983	1	Spring-Torsion
7	95-2747	2	Fitting-Washout	21	131-3962	1	Cover ASM W/Decal
8	46-6290	2	O-Ring	21:2	93-7009	1	Decal-Danger
9	46-8560	4	Screw-HHFTF	22	3230-23	1	Screw-CARR
10	121-0792	1	Decal-Deck	23	131-0955	1	Rod-Level, Deck
11	3230-22	4	Screw-CARR	25	1-806003	1	Pin-Cotter
12	95-3270	1	Connector-Hose	26	3256-23	1	Washer-Flat
13	120-7951-03	1	Baffle-Cutoff	27	120-7024	1	Screw-Shoulder, HHF
14	108-7890	2	Cover-Belt	28	110-0618	1	Pin-Clevis

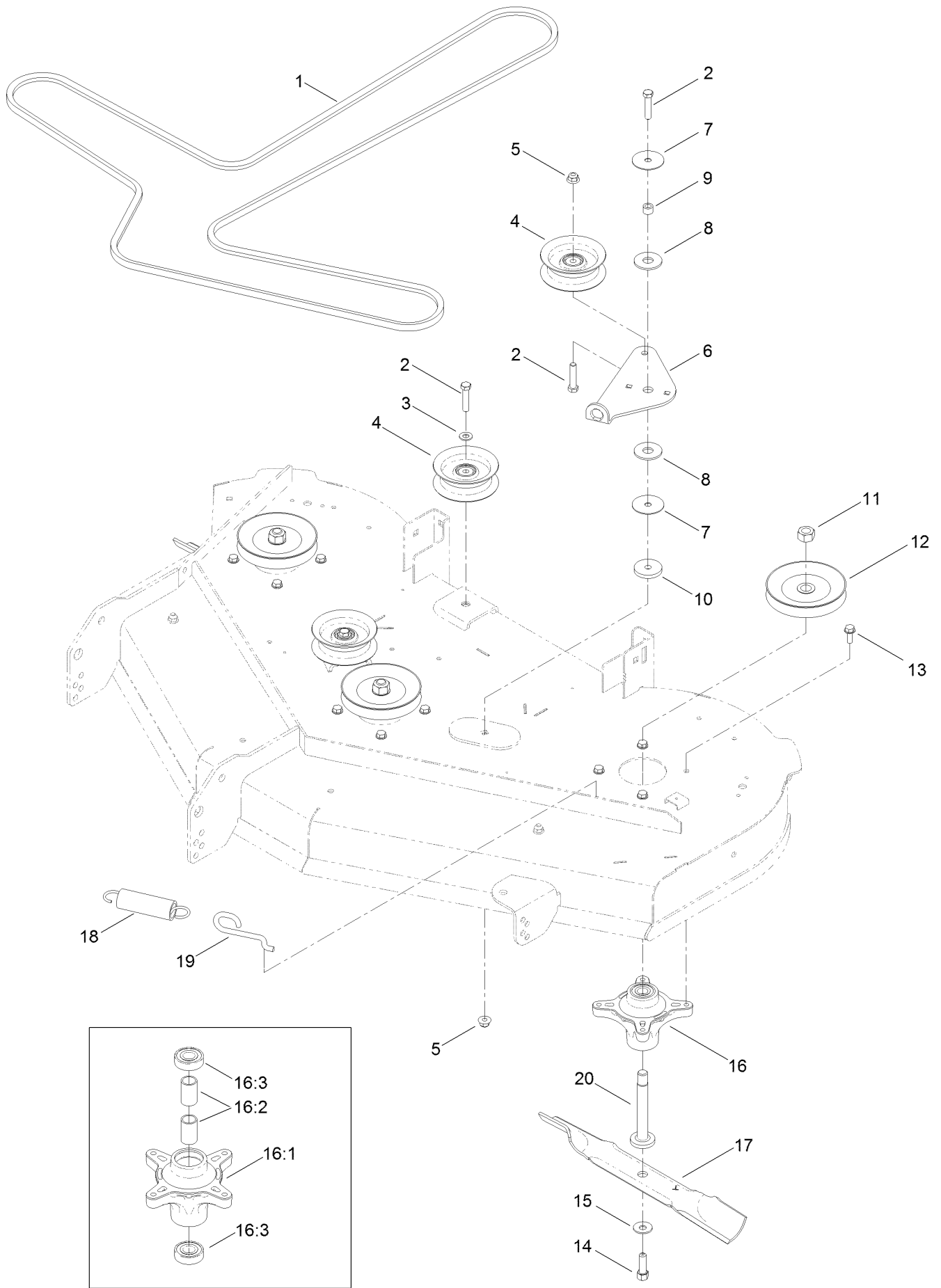
50 Inch Deck and Decal Assembly No. 131-3612



50 Inch Deck and Decal Assembly No. 131-3612 (continued)

<i>Ref.</i>	<i>Part Number</i>	<i>Qty.</i>	<i>Description</i>	<i>Ref.</i>	<i>Part Number</i>	<i>Qty.</i>	<i>Description</i>
2	114-1606	2	Decal-Danger	7	112-9840	1	Decal-Scalp, Anti
3	93-7009	1	Decal-Danger	8	322-2	2	Screw-HH
4	110-6691	2	Decal-Danger	9	104-8300	2	Nut-Flange, NI
5	99-3943	1	Decal-Routing, Belt				

50 Inch Deck Belt, Spindle and Blade Assembly



50 Inch Deck Belt, Spindle and Blade Assembly (continued)

<i>Ref.</i>	<i>Part Number</i>	<i>Qty.</i>	<i>Description</i>	<i>Ref.</i>	<i>Part Number</i>	<i>Qty.</i>	<i>Description</i>
1	119-8820	1	V-Belt	13	32144-41	12	Screw-Taptite
2	323-9	4	Screw-HH	14	26-0671	3	Screw-HH
3	3256-24	2	Washer-Flat	15	3290-465	3	Washer-Belleville
4	106-2175	3	Pulley-Idler, Flat	16	121-0751	3	Spindle ASM
5	104-8301	2	Nut-Flange, NI	16:1	117-7267	1	Spindle
6	114-8540	1	Arm-Idler	16:2	120-7935	2	Spacer
7	120-2229	2	Washer	16:3	100-1048	2	Bearing-Ball
8	114-0463	2	Washer-Friction, Composite	17	115-5059-03	3	Blade-Hi Lift
9	115-4986	1	Spacer	18	1-603414	1	Spring-Extension
10	110-9981	1	Washer-Plain	19	112-3973	1	Hook-Return, Spring
11	3219-6	3	Nut-Hex	20	117-7268	3	Shaft-Spindle
12	125-5575	3	Pulley				

Attachments and Accessories

For 74798 TimeCutter SWX 5050 Riding Mower

Product Name	Model/Part
Hypr-Oil 500 (quart)	114-4713
Oil-Synthetic, All Season	117-0066
Fuel Stabilizer (4oz).....	117-0089
Fuel Stabilizer (16oz).....	117-0090
Seat Cover W/arm Rest.....	117-0097
Bagging Enhancement Kit	121-5692
Striping Kit	121-5706
Jack Mount Kit	126-5251
Jack Kit.....	127-6666
Attachment Mount Kit	131-3966
10w30 4-cycle Engine Oil (32oz Bottle)	38280
Toro 4-cycle Sae 30 Oil (32oz Bottle).....	38903
Storage Cover	490-7516
Blade Kit	79016P
50in Recycler Kit.....	79024
Cargo Carrier	79040
50in Bagger	79386

Notes:



Count on it.