



Count on it.

Parts Catalog

MMX-650E-S

Mortar Mixer

Model No. 60212—Serial No. 315000001 and Up



Ordering Replacement Parts

To order replacement parts, please supply the part number, the quantity, and the description of each part desired.

Understanding Reference Numbers

Each identified part in an illustration has a reference number. The reference number for a part also appears in the parts list, along with other information about the part.

This catalog uses two special reference number formats, one to indicate parts in a service assembly and another to indicate the quantity of a given part in an illustration.

Service Assembly Reference Numbers

Parts in service assemblies have reference numbers in the form a:b. The a represents the reference number of the entire service assembly and the b represents a sequential number unique to each part within the service assembly.

For example, a wheel assembly might be identified by reference number 6, the tire by 6:1, the valve by 6:2, and the wheel by 6:3. When you order the assembly identified by reference number 6, you receive all parts identified by reference numbers 6:1, 6:2, and 6:3. However, you may also order any part individually. Reference numbers of this type appear in illustration and in parts lists.

Reference Numbers Indicating Quantity

In an illustration, if a reference number indicates more than one part, the reference number has the form nX y. The n represents the quantity of the part, the X is the multiplication symbol, and the y represents the reference number.

For example, in an illustration, the reference number 2X 37 means that two of the parts identified by reference number 37 are indicated.

List of Abbreviations

AR: as required

ASM: assembly

BBC: blade brake control

BHTF: button head thread forming

CARR: carriage

CCW: counter clockwise

CW: clockwise

DEG: degrees

DPA: Dual Point Adjustment

ECM: electronic control module

EXT: external

FH: flat head

GA: gauge

HD: heavy-duty

HF: hex flange

HH: hex head

HHF: hex head flange

HHFTF: hex head flange thread forming

HJ: hex jam

HLH: hex lag head

HOC: height-of-cut

HP: high pressure

HSBH: hex socket button head

HSFH: hex socket flat head

HSH: hex socket head

HWH: hex washer head

HWHTF: hex washer head thread forming

HYD: hydraulic

LH: left hand

LP: low pressure

LPG: Liquefied Petroleum Gas

NI: nylon insert

NPTF: national pipe thread fine

PFH: phillips flat head

PPH: phillips pan head

PPHTF: phillips pan head thread forming

PRH: phillips round head

PTH: phillips truss head

PTO: power-take-off

RH: right hand

ROPS: roll-over protection system

RRB: rear roller brush

SFH: slotted fillister head

SHH: slotted hex head

SHWH: slotted hex washer head

SPH: slotted pan head

SQH: square head

SRH: slotted round head

STD: standard

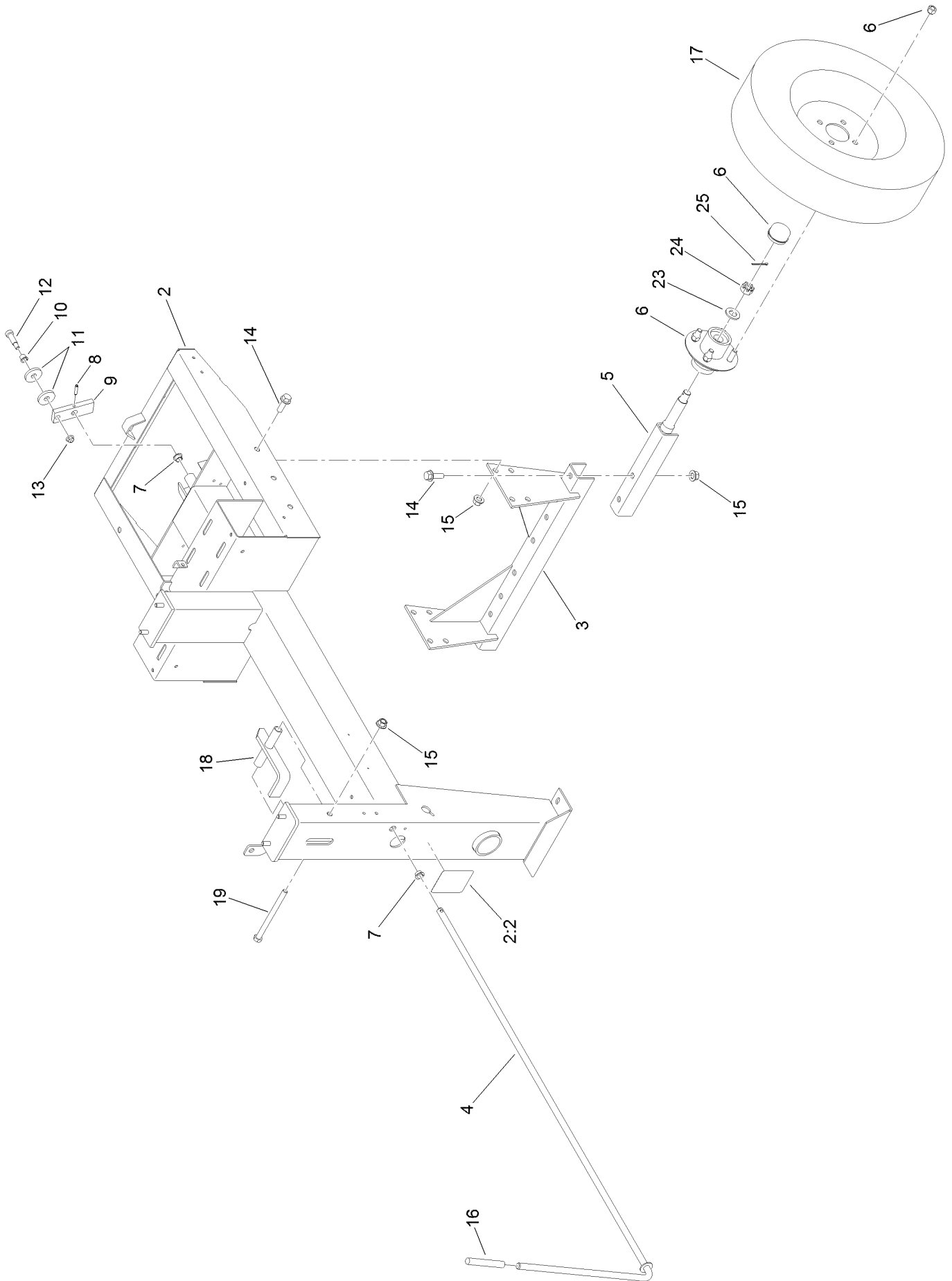
TAP: self tapping

TTH: torx truss head

Contents

Frame and Axle Assembly	4
Hub Assembly No. 125-8171	6
Drum, Paddle and Bearing Assembly	8
Drive Assembly	10
Pinion Assembly No. 131-5704	12
Idler Assembly No. ST21300	14
Cowl Assembly	16

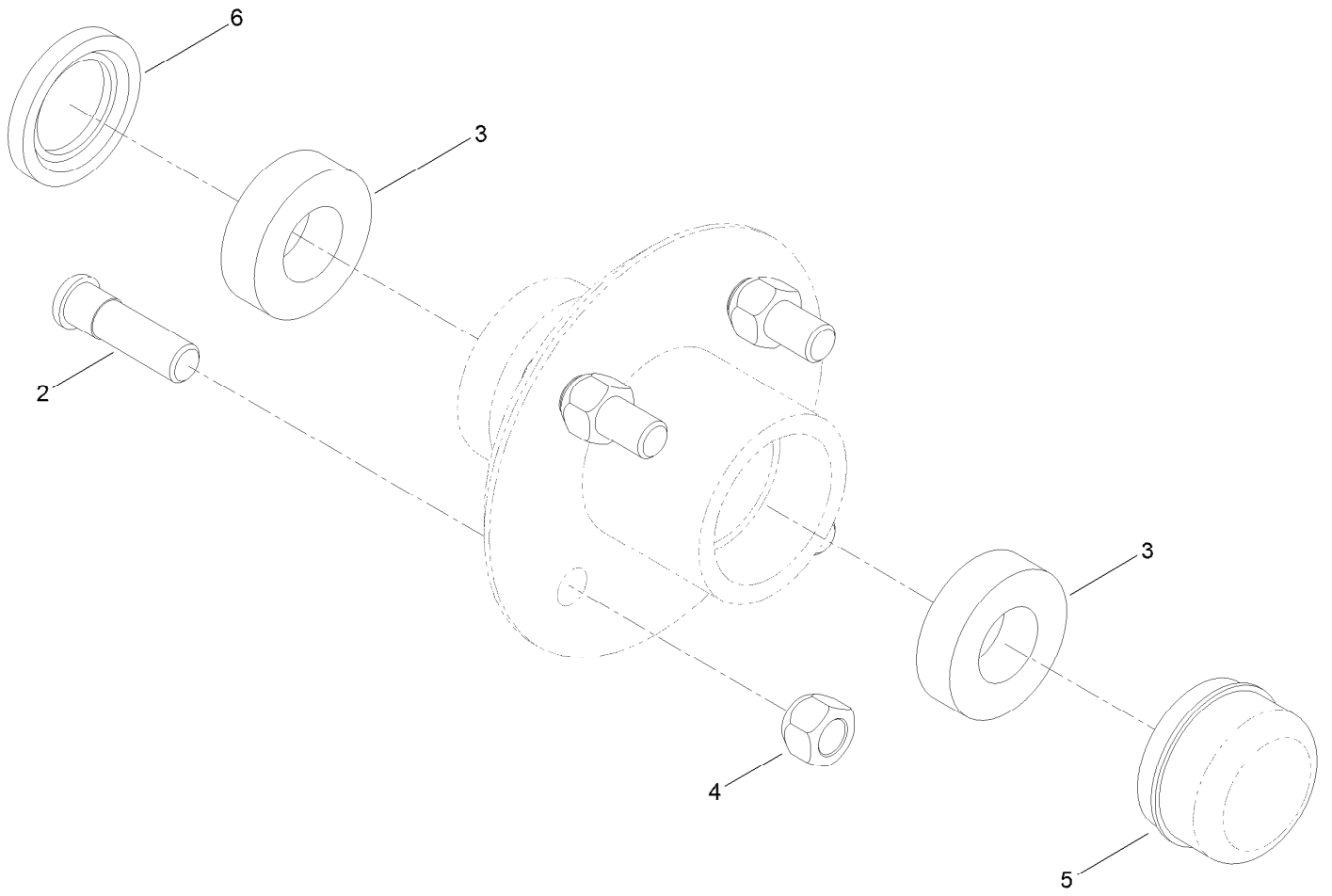
Frame and Axle Assembly



Frame and Axle Assembly (continued)

<i>Ref.</i>	<i>Part Number</i>	<i>Qty.</i>	<i>Description</i>	<i>Ref.</i>	<i>Part Number</i>	<i>Qty.</i>	<i>Description</i>
2	131-7532	1	Frame ASM	12	ST81153	1	Screw-HSBH
2:2	125-8216	1	Decal-Safety Chain, Towing	13	104-8301	1	Nut-Flange, NI
3	125-8219-03	1	Support-Axle	14	100-6116	8	Screw-HHF
4	131-5251-03	1	Lever-Clutch	15	99-5107	9	Nut-Lock
5	ST22512-03	2	Axle-Half	16	ST34687	1	Grip-Handle
6	125-8171	2	Hub ASM	17	ST32306	2	Tire And Rim ASM
7	ST32116	2	Bushing-Flange	18	ST24027-03	1	Latch-Drum
8	32121-69	1	Pin-Spring	19	325-33	1	Screw-HH
9	ST39446	1	Link-Clutch	23	3256-28	2	Washer-Flat
10	ST32099	1	Bushing-Flange	24	ST80054	2	Nut
11	ST26326	2	Washer-Flat	25	3272-13	2	Pin-Cotter

Hub Assembly No. 125-8171

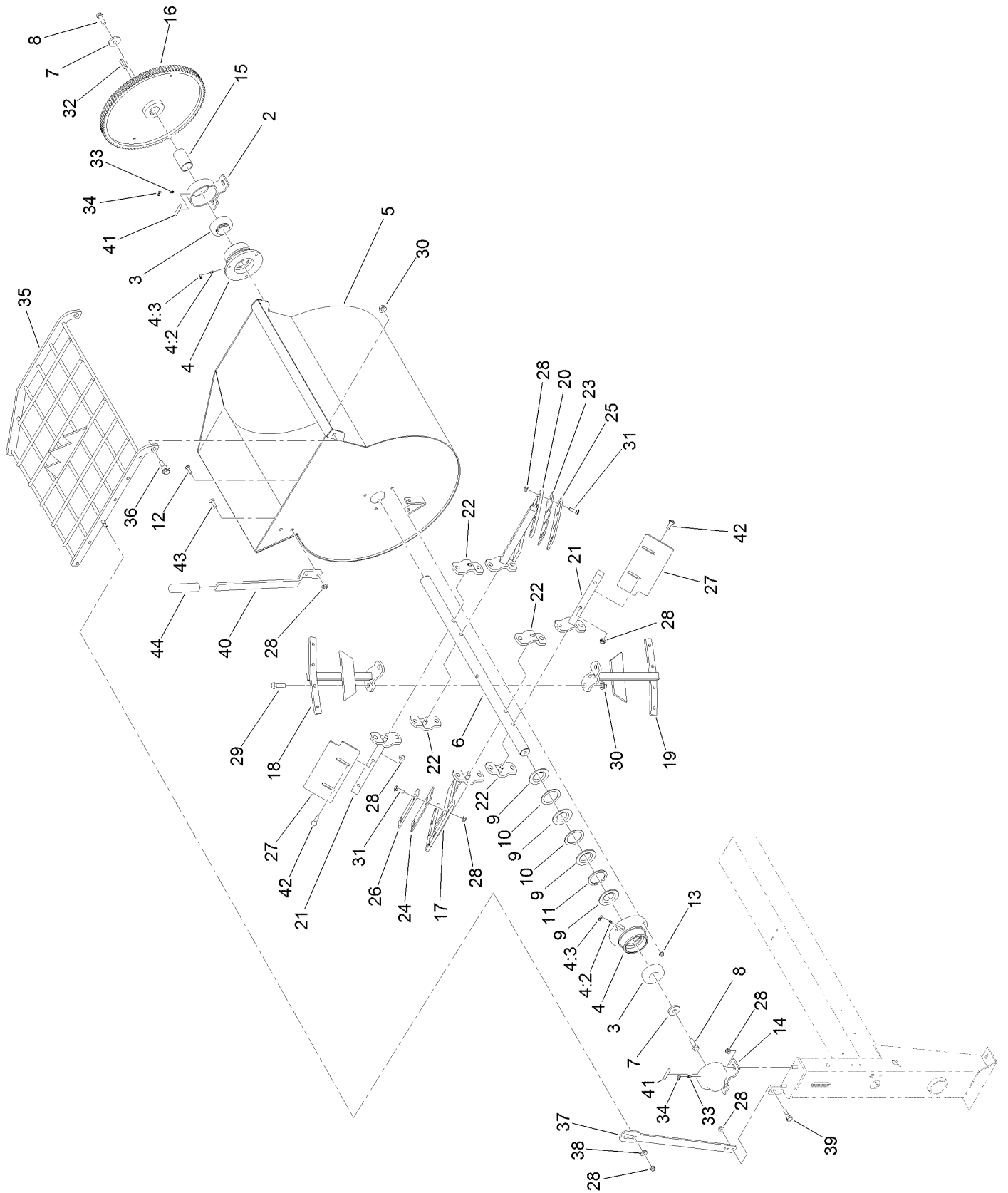


Hub Assembly No. 125-8171 (continued)

<i>Ref.</i>	<i>Part Number</i>	<i>Qty.</i>	<i>Description</i>
2	ST39190	4	Stud-Wheel
3	ST32233	2	Bearing-Roller
4	ST80045	4	Nut-Lug

<i>Ref.</i>	<i>Part Number</i>	<i>Qty.</i>	<i>Description</i>
5	ST34573	1	Cap-Dust
6	ST32052	1	Seal-Hub, Wheel

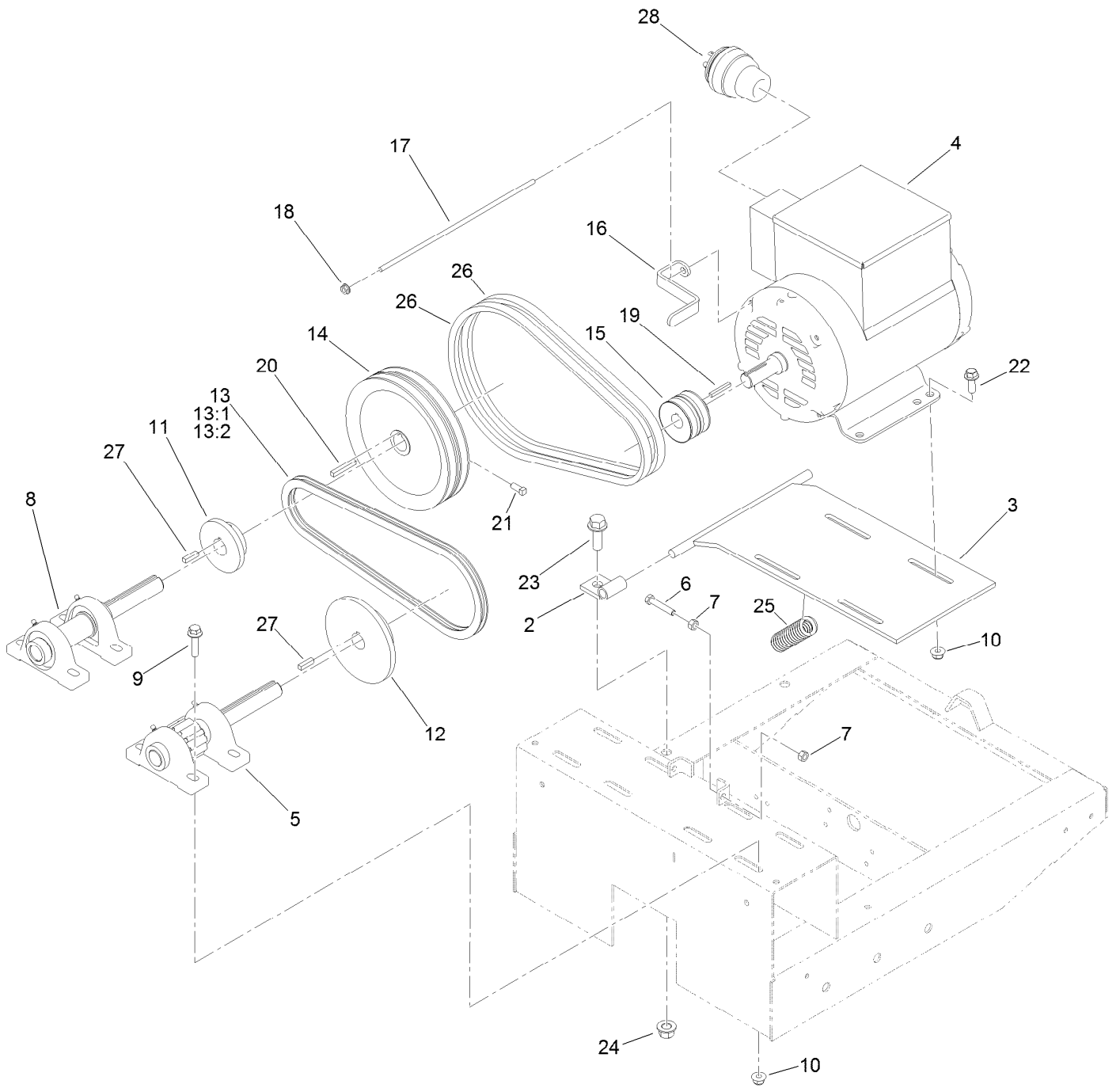
Drum, Paddle and Bearing Assembly



Drum, Paddle and Bearing Assembly (continued)

<i>Ref.</i>	<i>Part Number</i>	<i>Qty.</i>	<i>Description</i>	<i>Ref.</i>	<i>Part Number</i>	<i>Qty.</i>	<i>Description</i>
2	ST24021-01	1	Trunnion	23	131-5262	4	Blade-Rubber, Top
3	ST32003	2	Bearing-Ball	24	131-5261	2	Paddle-Rubber, Mixer End
4	132-4117	2	Kit-Housing, Bearing	25	131-5285-01	4	Plate-Backer, Top
4:2	ST46042	1	Fitting-Grease	26	131-5722-01	2	Bar-Backer, End
4:3	ST47001	1	Cap-Plug	27	131-5717-01	2	Bar-Backer, Pusher End
5	131-5231-01	1	Drum	28	104-8301	32	Nut-Flange, NI
6	131-5237-01	1	Shaft-Paddle	29	325-7	10	Screw-HH
7	ST26326	2	Washer-Flat	30	99-5107	12	Nut-Lock
8	325-6	2	Screw-HH	31	3231-25	20	Bolt-CARR
9	ST32324	8	Seal-Drum	32	ST81060	1	Key-Square
10	ST24017	4	Washer-Flat	33	ST46042	4	Fitting-Grease
11	ST25881	2	Washer-Split	34	ST47001	4	Cap-Plug
12	3230-3	6	Screw-CARR	35	131-5277-01	1	Grate
13	104-8300	6	Nut-Flange, NI	36	116-0780	2	Screw-Shoulder, HHF
14	ST36574-01	1	Trunnion-Capped	37	131-5288-03	1	Arm-Lift, Grate
15	131-5276	1	Spacer-Shaft	38	80-6990	1	Washer-Hardened
16	ST26933-03	1	Gear-94 Teeth	39	80-1300	1	Bolt-Shoulder
17	131-5278-01	1	Paddle-Front	40	131-7527-01	1	Handle-Dump
18	131-5281-01	1	Paddle-Mid	41	125-8175	2	Decal-Grease
19	131-5283-01	1	Paddle-Mid	42	3231-29	4	Screw-CARR
20	131-5284-01	1	Paddle-Rear	43	3231-28	2	Screw-CARR
21	130-2282-01	2	Paddle-Pusher	44	104-9838	1	Grip-Foam
22	ST24107-01	4	Clamp				

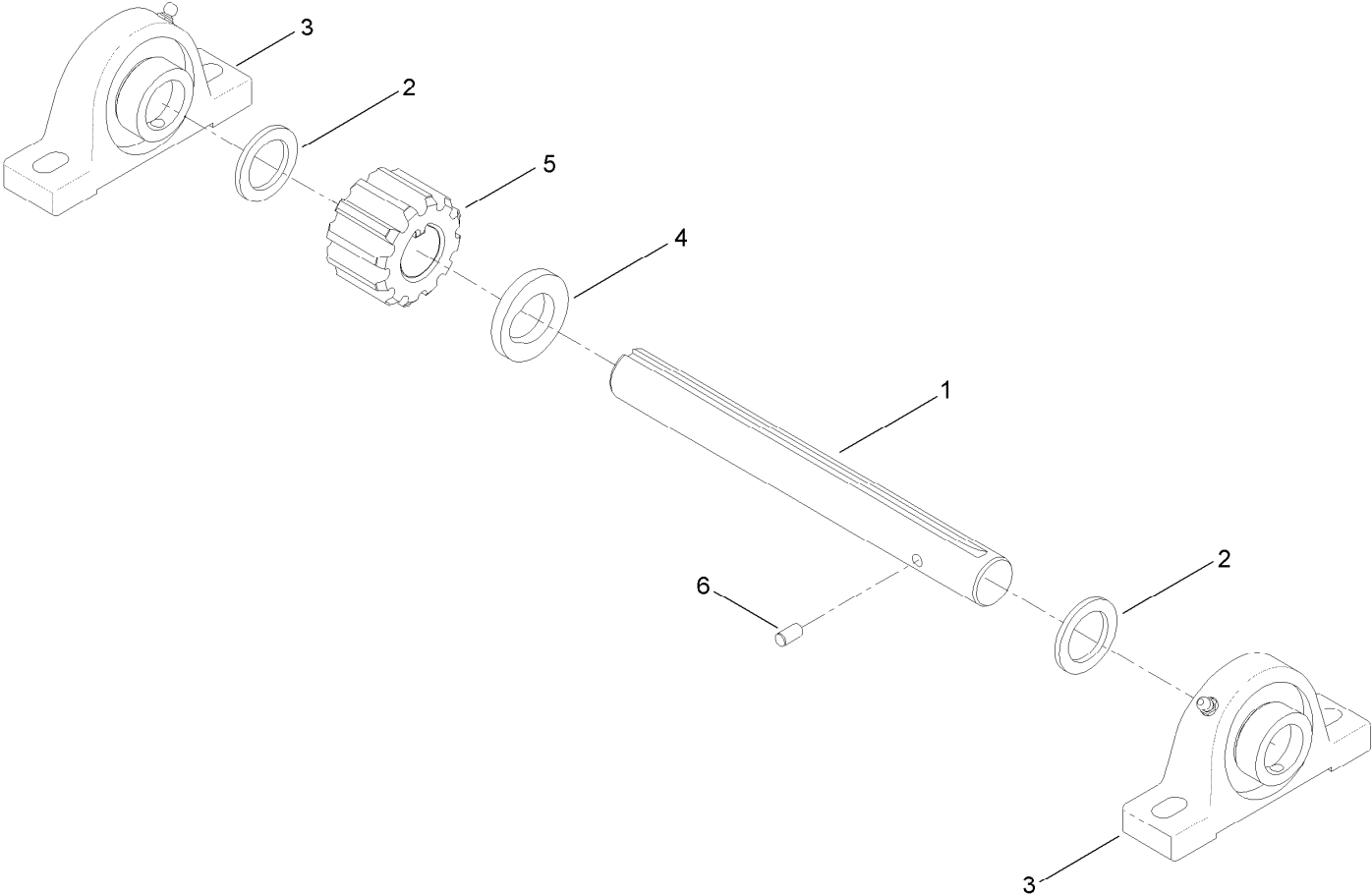
Drive Assembly



Drive Assembly (continued)

<i>Ref.</i>	<i>Part Number</i>	<i>Qty.</i>	<i>Description</i>	<i>Ref.</i>	<i>Part Number</i>	<i>Qty.</i>	<i>Description</i>
2	ST57786-03	2	Mount-Motor	15	ST38666	1	Sheave
3	ST39567-03	1	Base-Motor	16	ST42446-03	1	Guide-Belt
4	125-6254	1	Motor-Electric	17	127-2887	1	Rod-Threaded
5	131-5707	1	Pinion ASM	18	32128-14	1	Nut-HF
6	322-41	2	Screw-HH	19	ST37716	1	Key-Square
7	3217-6	4	Nut-Hex	20	7-0238	1	Key-Square
8	ST21300	1	Idler ASM	21	120-6474	2	Screw-Set, SQH
9	114-4681	8	Screw-HHF	22	3234-42	4	Screw-HHF
10	104-8301	12	Nut-Flange, NI	23	100-6116	2	Screw-HHF
11	ST34126	1	Sprocket	24	99-5107	2	Nut-Lock
12	ST34127	1	Sprocket	25	ST34849	1	Spring
13	ST21184	1	Chain Set	26	ST34617	2	Belt-V
13:1	ST34102	3	Chain	27	5-7280	2	Key
13:2	ST34104	1	Link-Connecting, No. 50	28	127-1678	1	Plug
14	ST38450	1	Sheave				

Pinion Assembly No. 131-5704

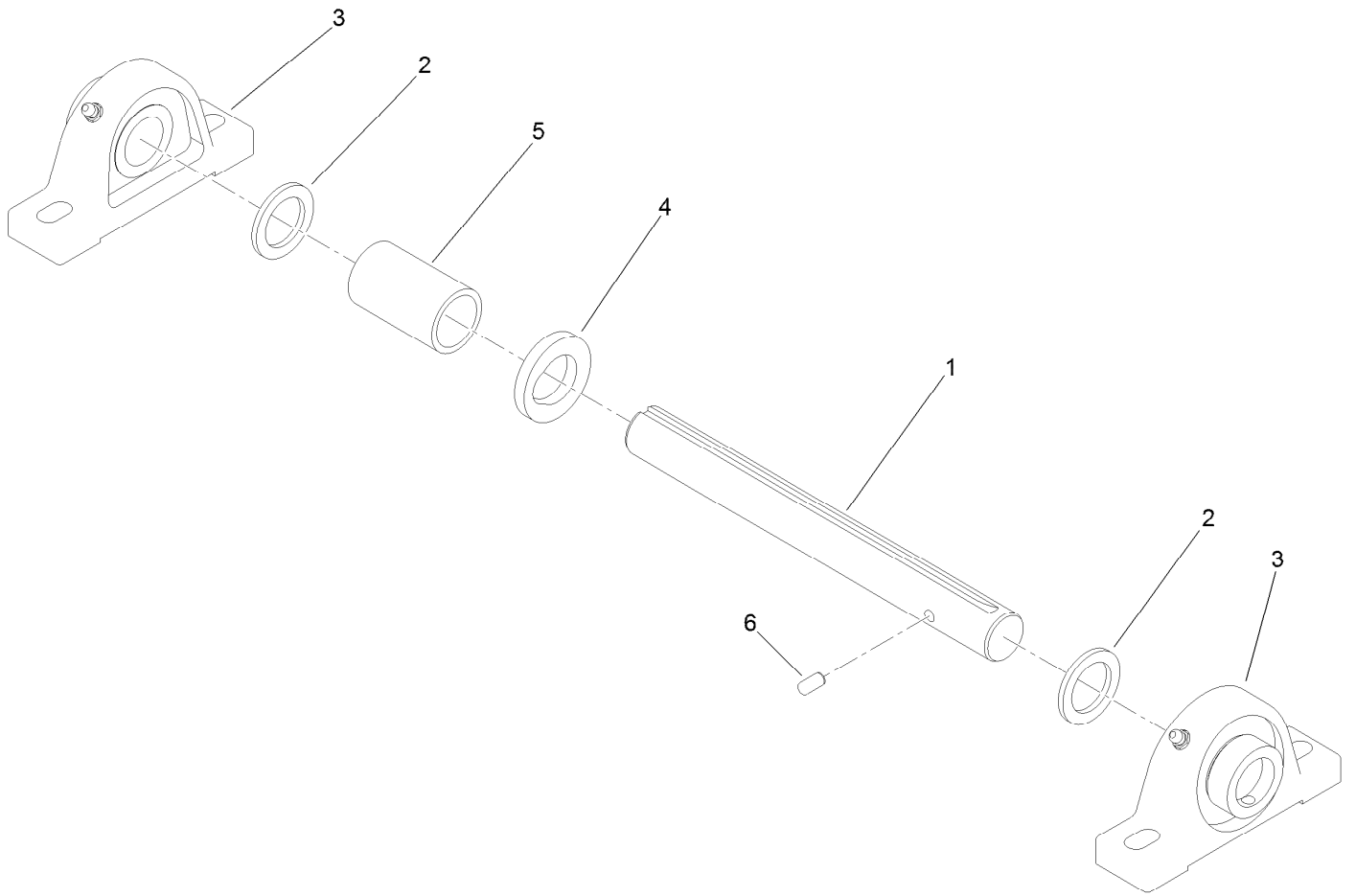


Pinion Assembly No. 131-5704 (continued)

<i>Ref.</i>	<i>Part Number</i>	<i>Qty.</i>	<i>Description</i>
1	131-5705	1	Shaft-Pinion
2	3-8514	2	Washer-Thrust
3	ST32208	2	Bearing-Block, Pillow

<i>Ref.</i>	<i>Part Number</i>	<i>Qty.</i>	<i>Description</i>
4	131-5706	1	Washer
5	ST57625	1	Gear-Spur
6	95-0715	1	Pin-Dowel

Idler Assembly No. ST21300

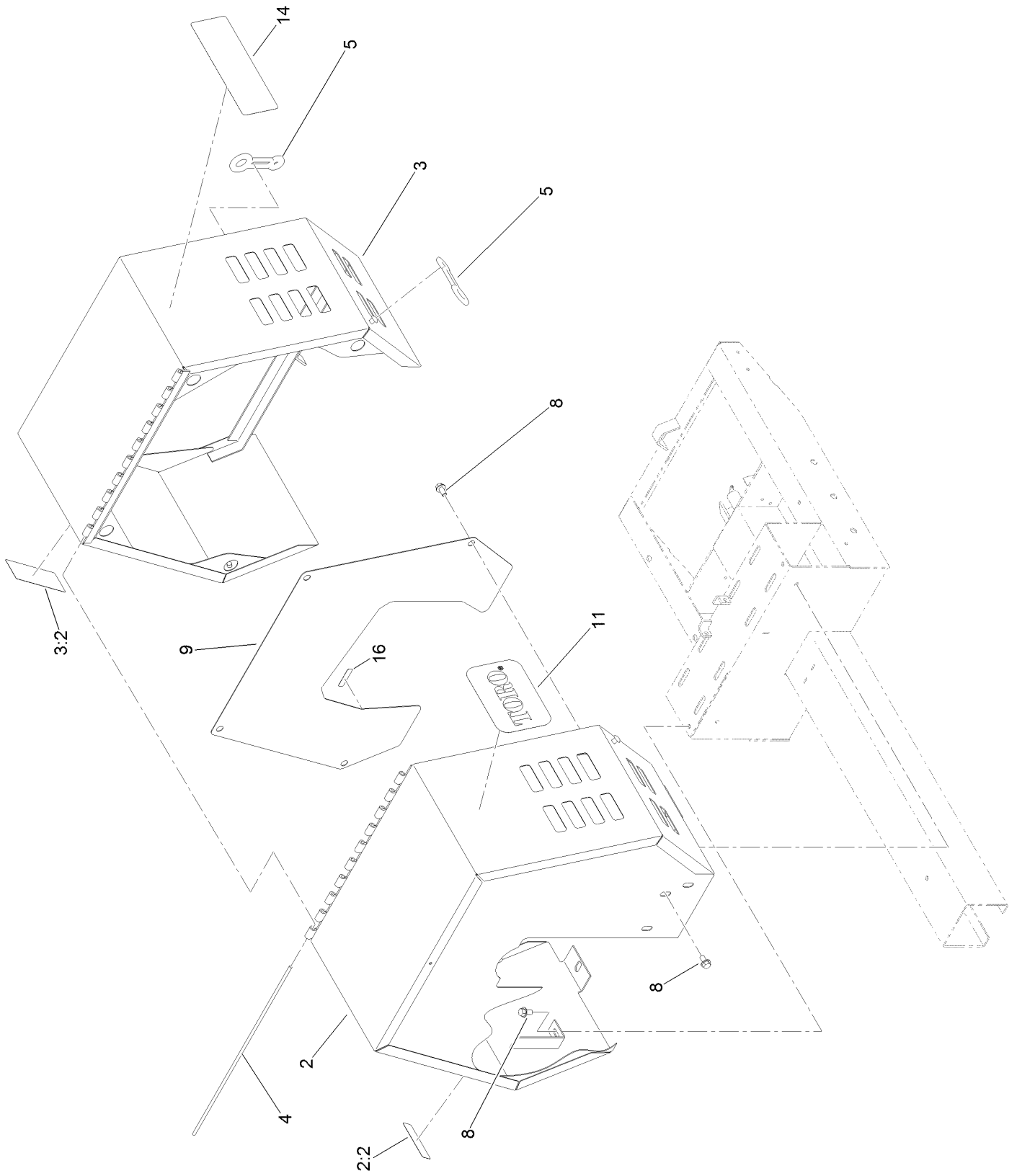


Idler Assembly No. ST21300 (continued)

<i>Ref.</i>	<i>Part Number</i>	<i>Qty.</i>	<i>Description</i>
1	131-5705	1	Shaft-Pinion
2	3-8514	2	Washer-Thrust
3	ST32208	2	Bearing-Block, Pillow

<i>Ref.</i>	<i>Part Number</i>	<i>Qty.</i>	<i>Description</i>
4	131-5706	1	Washer
5	ST42966-03	1	Spacer-Idler
6	95-0715	1	Pin-Dowel

Cowl Assembly



Cowl Assembly (continued)

<i>Ref.</i>	<i>Part Number</i>	<i>Qty.</i>	<i>Description</i>	<i>Ref.</i>	<i>Part Number</i>	<i>Qty.</i>	<i>Description</i>
2	127-1683	1	Stationary Cowl ASM	8	110-9380	10	Screw-HWH
2:2	117-2718	1	Decal-Arrester, Spark	9	125-8166-03	1	Plate-Guard, Belt
3	127-1687	1	Movable Cowl ASM	11	67-7320	2	Decal
3:2	127-1652	1	Decal-Warning	14	131-5725	2	Decal
4	ST44368	1	Pin	16	125-8175	1	Decal-Grease
5	ST47182	3	Latch-Rubber				

Notes:

Notes:



Count on it.