



**Count on it.**

**Parts Catalog**

**Beacon Kit**

**RT600 or RT1200 Trencher**

Model No. 25415

Model No. 25415E



# Ordering Replacement Parts

To order replacement parts, please supply the part number, the quantity, and the description of each part desired.

## Understanding Reference Numbers

Each identified part in an illustration has a reference number. The reference number for a part also appears in the parts list, along with other information about the part.

This catalog uses two special reference number formats, one to indicate parts in a service assembly and another to indicate the quantity of a given part in an illustration.

## Service Assembly Reference Numbers

Parts in service assemblies have reference numbers in the form a:b. The a represents the reference number of the entire service assembly and the b represents a sequential number unique to each part within the service assembly.

For example, a wheel assembly might be identified by reference number 6, the tire by 6:1, the valve by 6:2, and the wheel by 6:3. When you order the assembly identified by reference number 6, you receive all parts identified by reference numbers 6:1, 6:2, and 6:3. However, you may also order any part individually. Reference numbers of this type appear in illustration and in parts lists.

## Reference Numbers Indicating Quantity

In an illustration, if a reference number indicates more than one part, the reference number has the form nX y. The n represents the quantity of the part, the X is the multiplication symbol, and the y represents the reference number.

For example, in an illustration, the reference number 2X 37 means that two of the parts identified by reference number 37 are indicated.

# List of Abbreviations

**AR:** as required

**ASM:** assembly

**BBC:** blade brake control

**BHTF:** button head thread forming

**CARR:** carriage

**CCW:** counter clockwise

**CW:** clockwise

**DEG:** degrees

**DPA:** Dual Point Adjustment

**ECM:** electronic control module

**EXT:** external

**FH:** flat head

**GA:** gauge

**HD:** heavy-duty

**HF:** hex flange

**HH:** hex head

**HHF:** hex head flange

**HHFTF:** hex head flange thread forming

**HJ:** hex jam

**HLH:** hex lag head

**HOC:** height-of-cut

**HP:** high pressure

**HSBH:** hex socket button head

**HSFH:** hex socket flat head

**HSH:** hex socket head

**HWH:** hex washer head

**HWHTF:** hex washer head thread forming

**HYD:** hydraulic

**LH:** left hand

**LP:** low pressure

**LPG:** Liquefied Petroleum Gas

**NI:** nylon insert

**NPTF:** national pipe thread fine

**PFH:** phillips flat head

**PPH:** phillips pan head

**PPHTF:** phillips pan head thread forming

**PRH:** phillips round head

**PTH:** phillips truss head

**PTO:** power-take-off

**RH:** right hand

**ROPS:** roll-over protection system

**RRB:** rear roller brush

**SFH:** slotted fillister head

**SHH:** slotted hex head

**SHWH:** slotted hex washer head

**SPH:** slotted pan head

**SQH:** square head

**SRH:** slotted round head

**STD:** standard

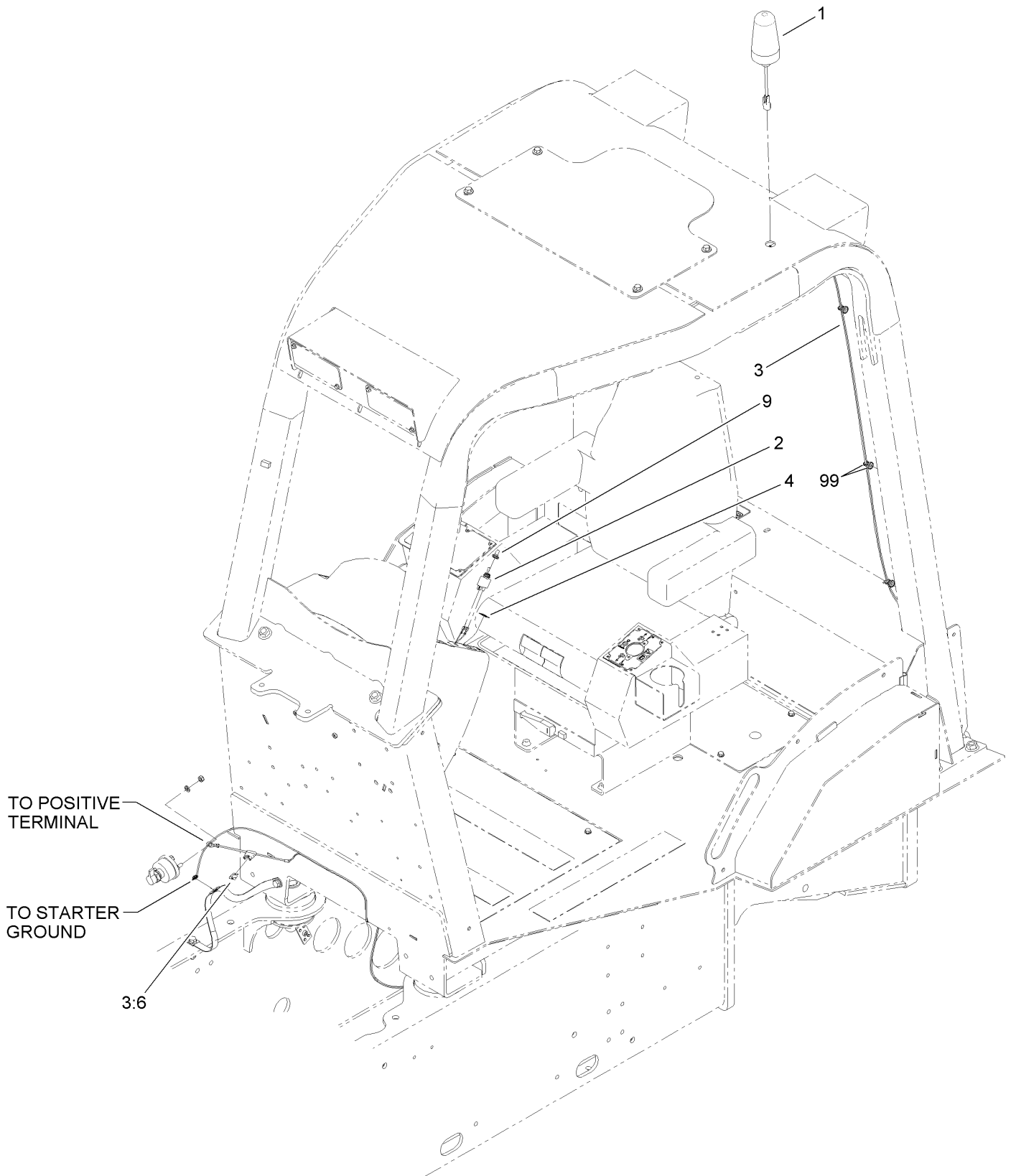
**TAP:** self tapping

**TTH:** torx truss head

# Contents

Beacon Kit Assembly RT1200 Trencher ..... 4  
Beacon Kit Assembly RT600 Trencher ..... 6

# Beacon Kit Assembly RT1200 Trencher

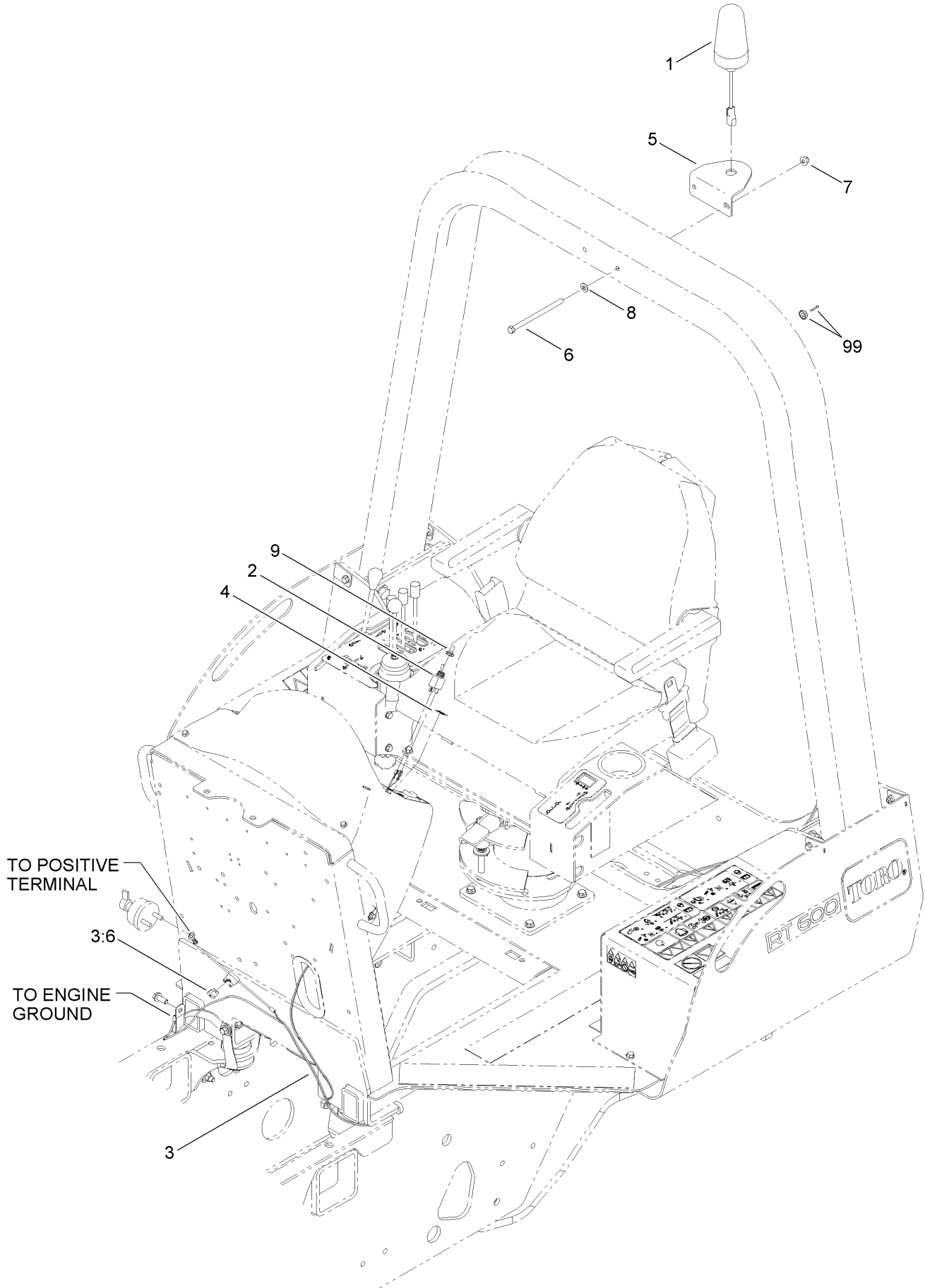


# Beacon Kit Assembly

## RT1200 Trencher (continued)

<i>Ref.</i>	<i>Part Number</i>	<i>Qty.</i>	<i>Description</i>	<i>Ref.</i>	<i>Part Number</i>	<i>Qty.</i>	<i>Description</i>
1	125-4528	1	Light-Strobe	4	120-0771	1	Decal-Beacon
2	125-1611	1	Switch	9	130-8849	1	Boot-Toggle Switch
3	122-0618	1	Harness-Beacon	99	32180-139	2	Mount-Tie Wrap, Magnetic
3:6	218-578	1	Fuse-Blade, 10 Amp	99	3290-378	6	Tie-Cable

# Beacon Kit Assembly RT600 Trencher



# Beacon Kit Assembly RT600 Trencher (continued)

<i>Ref.</i>	<i>Part Number</i>	<i>Qty.</i>	<i>Description</i>	<i>Ref.</i>	<i>Part Number</i>	<i>Qty.</i>	<i>Description</i>
1	125-4528	1	Light-Strobe	6	323-58	2	Bolt-TAP, HH
2	125-1611	1	Switch	7	119-4042	2	Nut-Flange, NI
3	122-0618	1	Harness-Beacon	8	100-4852	2	Washer-Hardened
3:6	218-578	1	Fuse-Blade, 10 Amp	9	130-8849	1	Boot-Toggle Switch
4	120-0771	1	Decal-Beacon	99	32180-139	2	Mount-Tie Wrap, Magnetic
5	131-2802-03	1	Plate-Bent	99	3290-378	6	Tie-Cable



**Count on it.**