



Count on it.

Parts Catalog

**ProPass 200 Top Dresser with
Twin Spinner and Wireless
Control**

Model No. 44751—Serial No. 315000001 and Up



Ordering Replacement Parts

To order replacement parts, please supply the part number, the quantity, and the description of each part desired.

Understanding Reference Numbers

Each identified part in an illustration has a reference number. The reference number for a part also appears in the parts list, along with other information about the part.

This catalog uses two special reference number formats, one to indicate parts in a service assembly and another to indicate the quantity of a given part in an illustration.

Service Assembly Reference Numbers

Parts in service assemblies have reference numbers in the form a:b. The a represents the reference number of the entire service assembly and the b represents a sequential number unique to each part within the service assembly.

For example, a wheel assembly might be identified by reference number 6, the tire by 6:1, the valve by 6:2, and the wheel by 6:3. When you order the assembly identified by reference number 6, you receive all parts identified by reference numbers 6:1, 6:2, and 6:3. However, you may also order any part individually. Reference numbers of this type appear in illustration and in parts lists.

Reference Numbers Indicating Quantity

In an illustration, if a reference number indicates more than one part, the reference number has the form nX y. The n represents the quantity of the part, the X is the multiplication symbol, and the y represents the reference number.

For example, in an illustration, the reference number 2X 37 means that two of the parts identified by reference number 37 are indicated.

List of Abbreviations

AR: as required

ASM: assembly

BBC: blade brake control

BHTF: button head thread forming

CARR: carriage

CCW: counter clockwise

CW: clockwise

DEG: degrees

DPA: Dual Point Adjustment

ECM: electronic control module

EXT: external

FH: flat head

GA: gauge

HD: heavy-duty

HF: hex flange

HH: hex head

HHF: hex head flange

HHFTF: hex head flange thread forming

HJ: hex jam

HLH: hex lag head

HOC: height-of-cut

HP: high pressure

HSBH: hex socket button head

HSFH: hex socket flat head

HSH: hex socket head

HWH: hex washer head

HWHTF: hex washer head thread forming

HYD: hydraulic

LH: left hand

LP: low pressure

LPG: Liquefied Petroleum Gas

NI: nylon insert

NPTF: national pipe thread fine

PFH: phillips flat head

PPH: phillips pan head

PPHTF: phillips pan head thread forming

PRH: phillips round head

PTH: phillips truss head

PTO: power-take-off

RH: right hand

ROPS: roll-over protection system

RRB: rear roller brush

SFH: slotted fillister head

SHH: slotted hex head

SHWH: slotted hex washer head

SPH: slotted pan head

SQH: square head

SRH: slotted round head

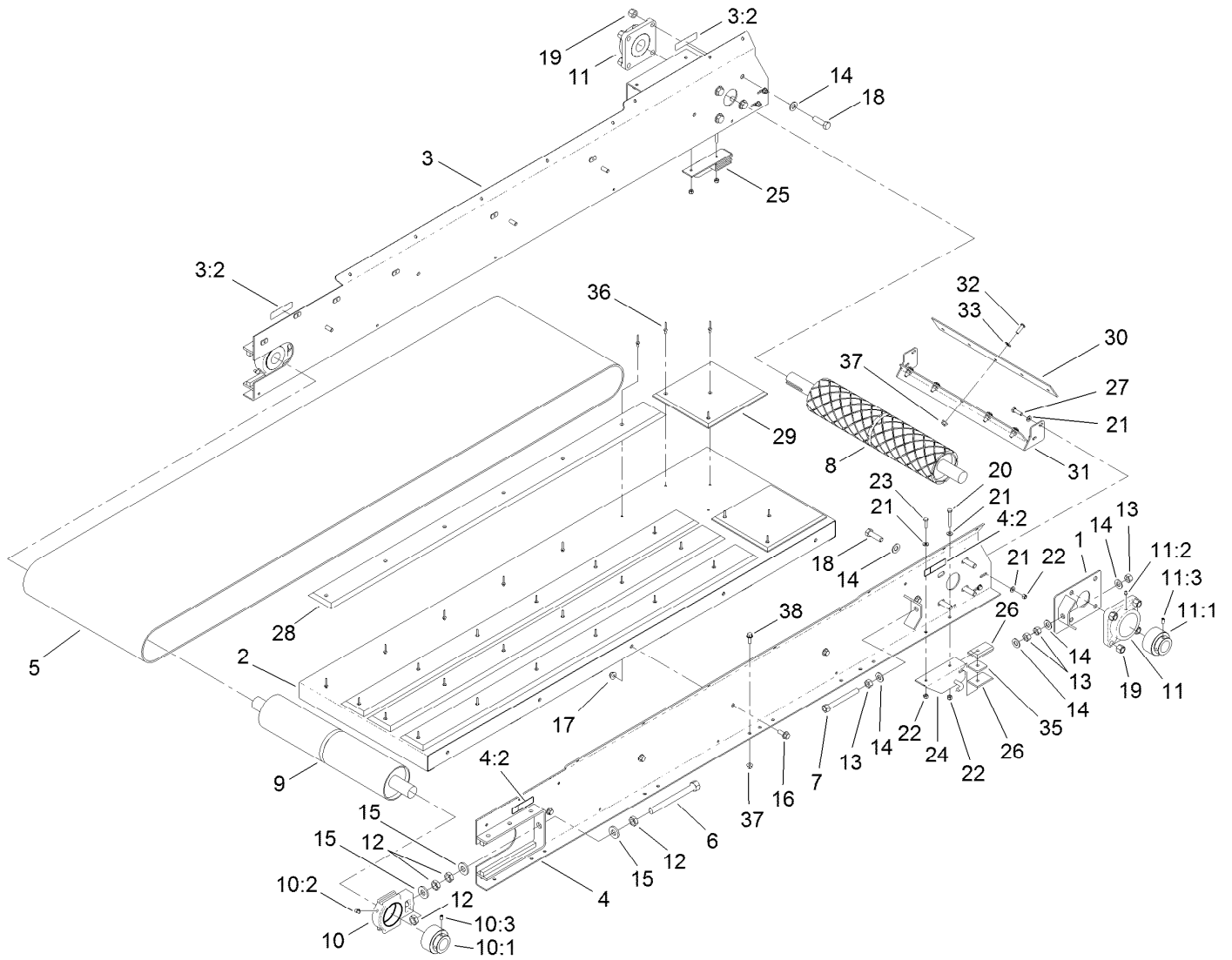
STD: standard

TAP: self tapping

TTH: torx truss head

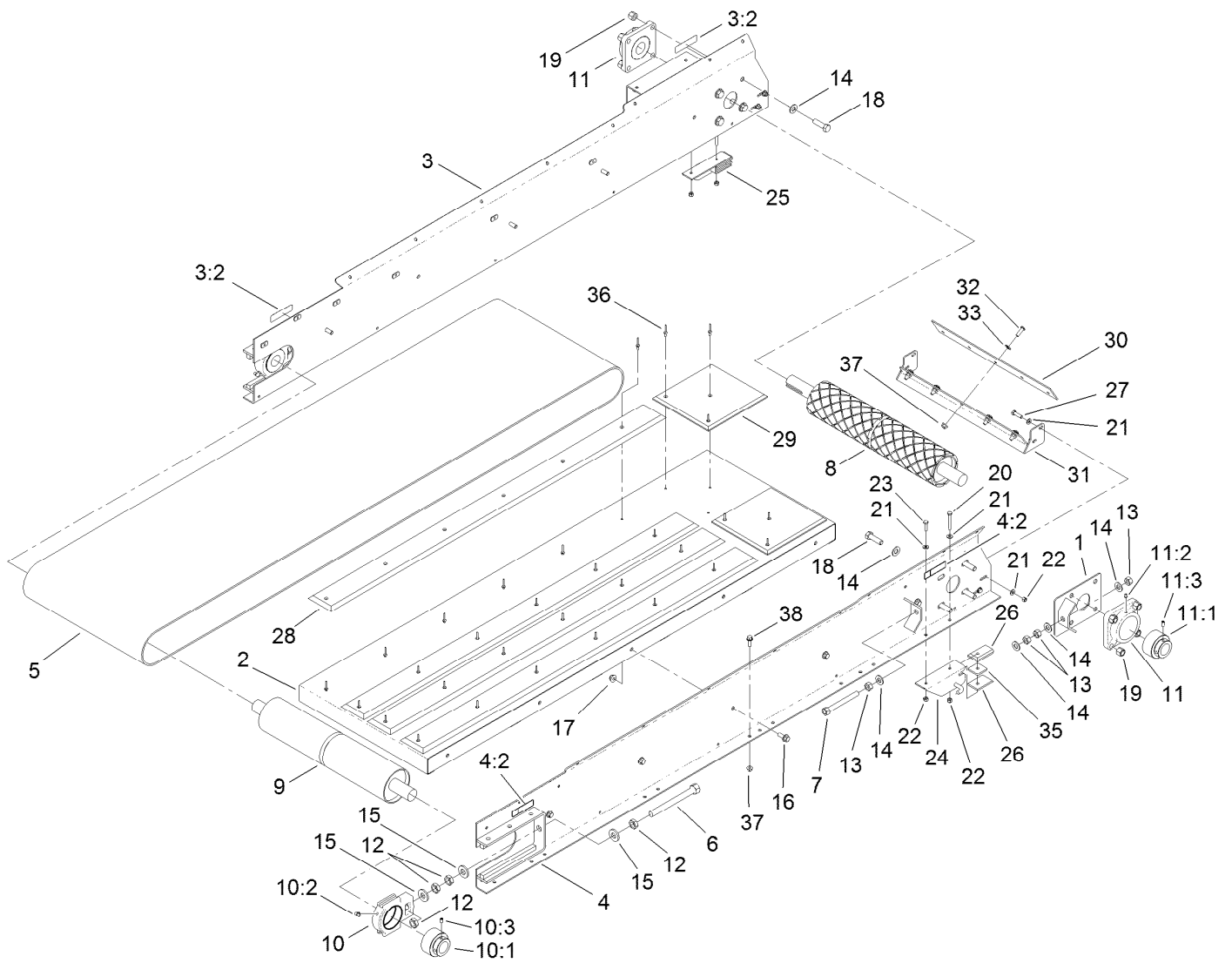
Contents

Bed Assembly	4
Bed Cover Assembly	6
Belt Drive Assembly	7
Hopper Assembly	8
Tailgate Assembly	9
Hydraulic System Assembly	10
Hydraulic Block Assembly No. T0000-7792	12
Twin Spinner Assembly	13
Hydraulic Motor Assembly No. T0001-9863	15
Twin Spinner Hydraulic Assembly	16
Electrical Assembly	17
Attachments and Accessories	18



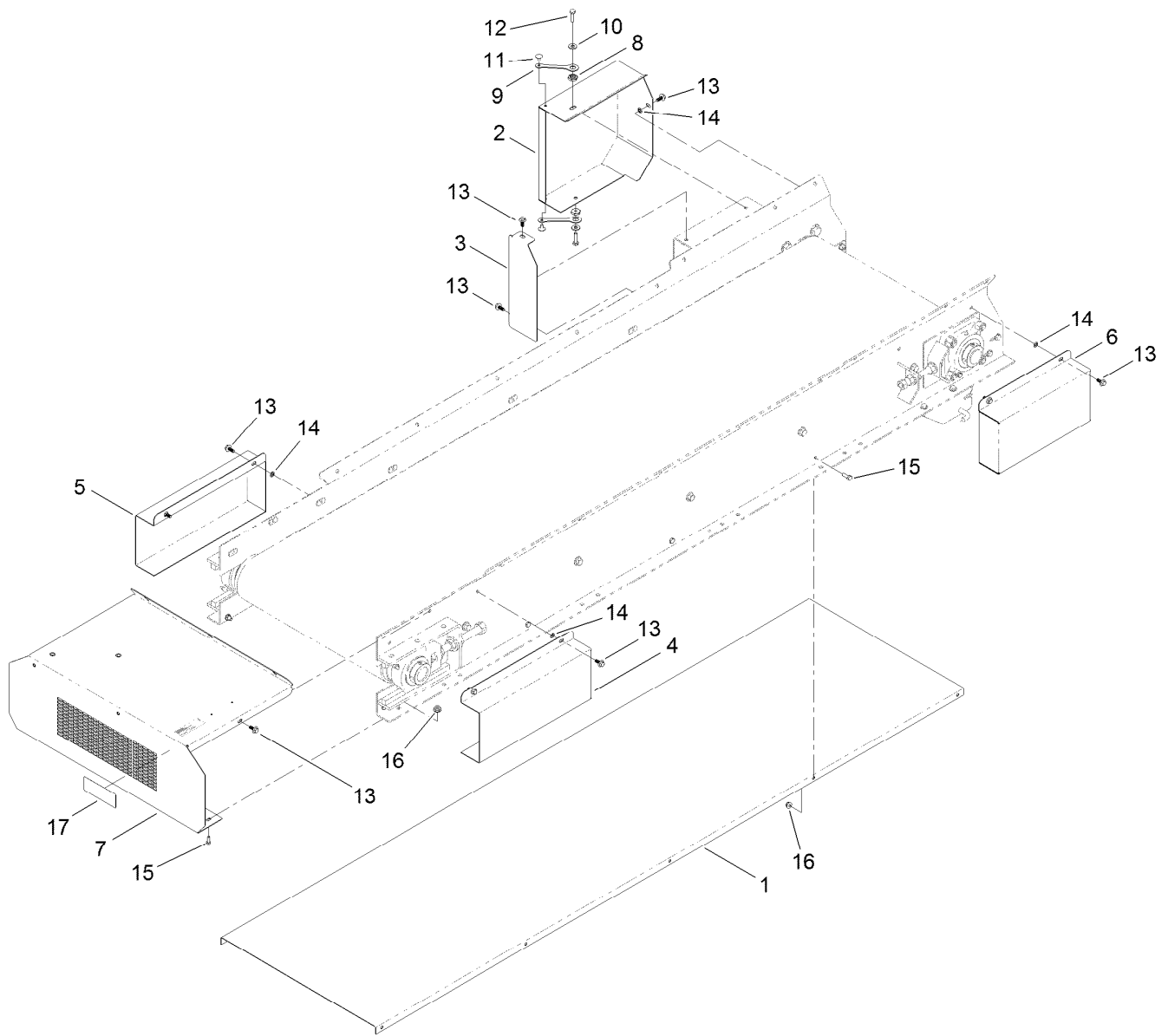
Bed Assembly

Ref.	Part Number	Qty.	Description	Ref.	Part Number	Qty.	Description
1	T36051675-01	1	Plate-Alignment	14	3256-26	12	Washer-Flat
2	T36051600-01	1	Bed-Conveyor	15	99-7667	6	Washer-Flat
3	119-6797	1	Right Conveyor Side ASM	16	3234-42	10	Screw-HHF
3:2	119-0217	2	Decal-Danger	17	104-8301	10	Nut-Flange, NI
4	119-6796	1	Left Conveyor ASM	18	325-7	8	Screw-HH
4:2	119-0217	2	Decal-Danger	19	3296-23	8	Nut-Lock, NI
5	T60191015	1	Belt-Conveyor	20	321-11	2	Screw-HH
6	T36051670-01	2	Rod-Tensioner	21	3256-22	12	Washer-Flat
7	T36051660-01	1	Rod-Alignment	22	3296-42	8	Nut-Lock, NI
8	T36051610	1	Roller-Drive	23	321-6	2	Screw-HH
9	T36051620	1	Roller-Idler	24	T36051560-01	1	Attachment-Left
10	T60114107	2	Take-Up Bearing ASM	25	T36051570-01	1	Attachment-Right
10:1	119-6902	1	Bearing-Collar Lock	26	T36051580	4	Bar-Bearing
10:2	302-40	1	Fitting-Grease, 90 DEG	27	321-4	4	Screw-HH
10:3	3246-17	1	Setscrew-HSH	28	T36051690	4	Slider-Belt
11	T60116255	2	4-Bolt Bearing ASM	29	T36051680	2	Slider-Belt, Rear
11:1	119-6902	1	Bearing-Collar Lock	30	T36051135	1	Plate-Scraper
11:2	302-19	1	Fitting-Grease	31	T36051132-01	1	Scraper
11:3	3246-17	1	Setscrew-HSH	32	119-6903	5	Screw-HSBH
12	3220-6	8	Nut-Jam	33	107-0279	5	Washer
13	3217-9	4	Nut-HH	35	T0000-2189	2	Spacer-Attachment



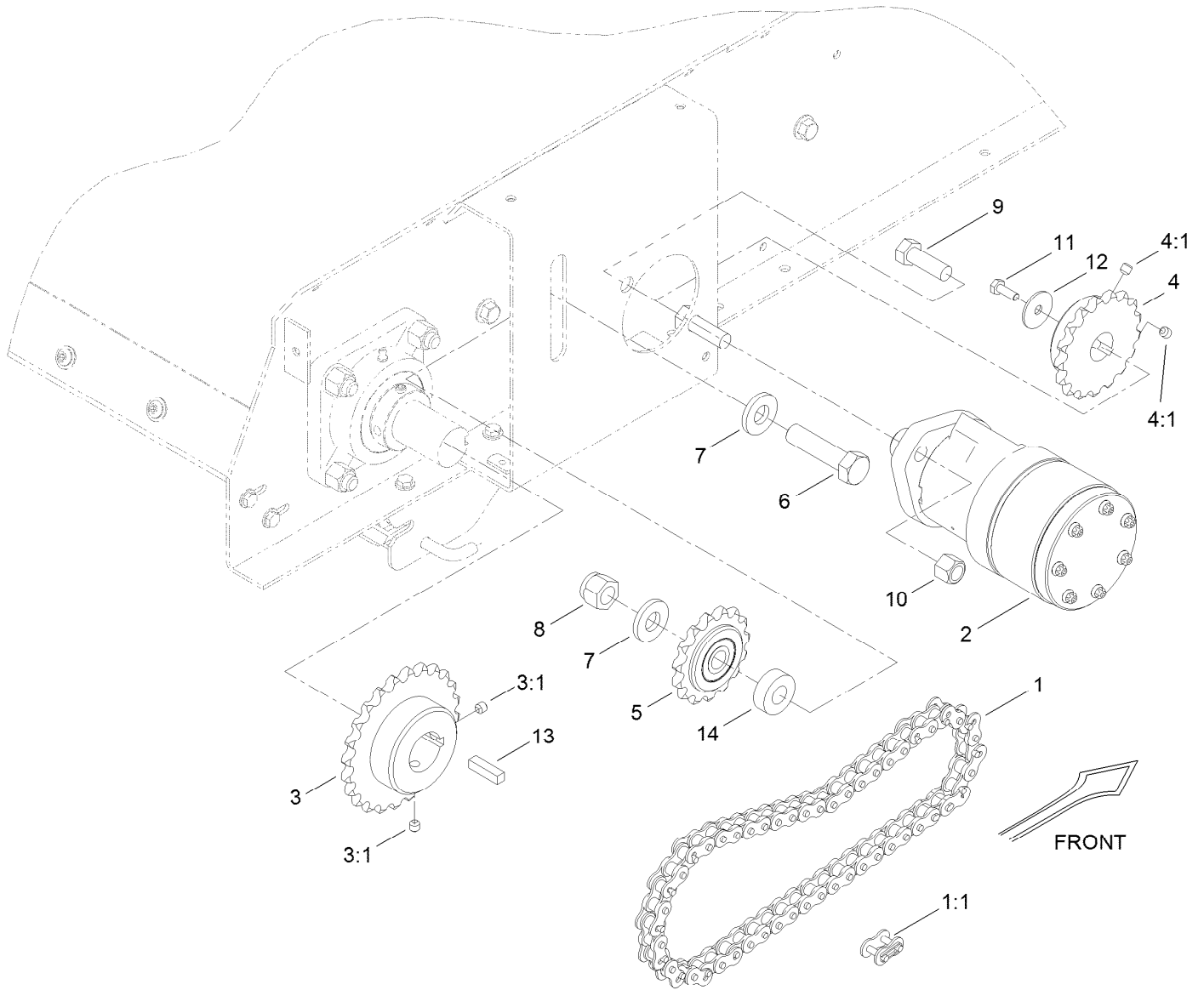
Bed Assembly (continued)

<i>Ref.</i>	<i>Part Number</i>	<i>Qty.</i>	<i>Description</i>	<i>Ref.</i>	<i>Part Number</i>	<i>Qty.</i>	<i>Description</i>
36	3269-4	30	Rivet-Pop	37	104-8300	15	Nut-Flange, NI
				38	3234-29	10	Screw-HHF



Bed Cover Assembly

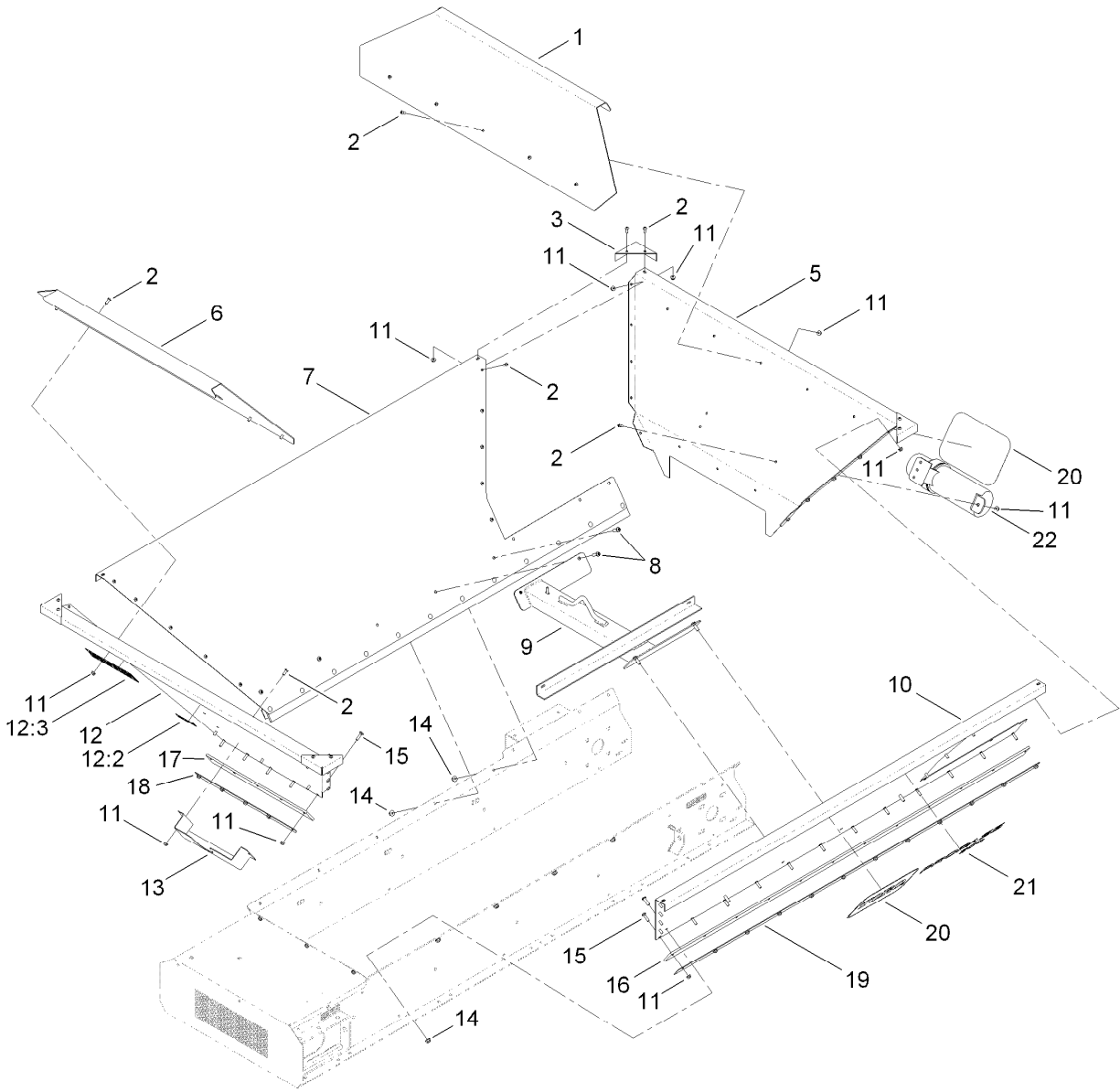
<i>Ref.</i>	<i>Part Number</i>	<i>Qty.</i>	<i>Description</i>	<i>Ref.</i>	<i>Part Number</i>	<i>Qty.</i>	<i>Description</i>
1	T36051704	1	Guard-Bottom	10	3256-2	2	Washer-Flat
2	T36051640-03	1	Guard-Drive, RH	11	146489	2	Rivet
3	T36051645-01	1	Cap-Guard	12	321-6	2	Screw-HH
4	T36051630-03	1	Guard-Idler, LH	13	99-6810	12	Screw-HHF
5	T36051635-03	1	Guard-Idler, RH	14	106-8737	7	Nut-Retainer
6	T36051650-03	1	Guard-Drive, LH	15	321-4	12	Screw-HH
7	130-8585-01	1	Guard-Rinse	16	104-7201	12	Nut-Flange, NI
8	119-0851	2	Nut-Shoulder	17	119-6809	1	Decal-Clean Out
9	117-8339	2	Lanyard-3 Inch				



Belt Drive Assembly

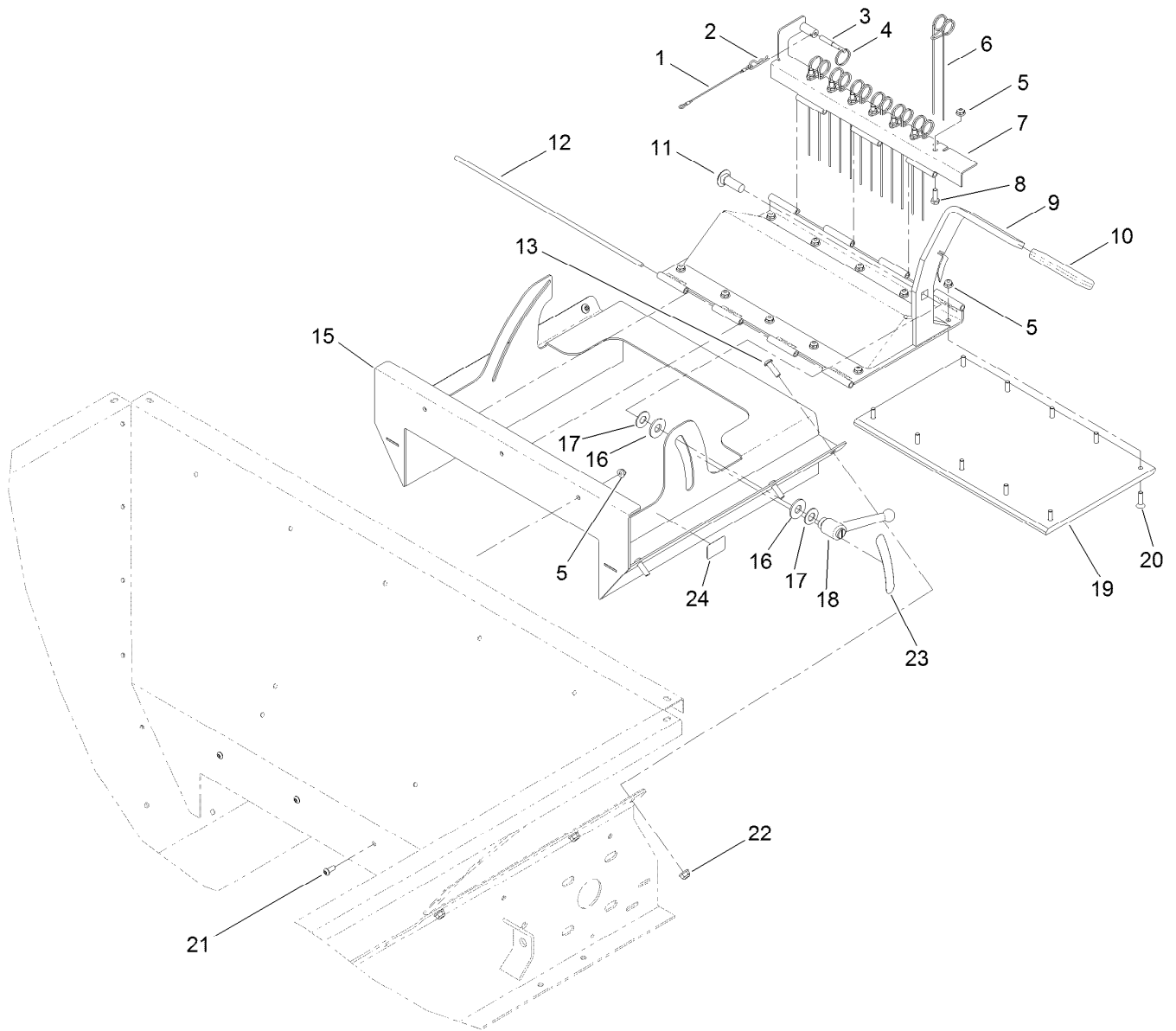
Ref.	Part Number	Qty.	Description
1	T0000-7790	1	Chain-Drive, #50
1:1	T60151066	1	Link-Connector, #50
2	T56011000	1	HYD Motor ASM
3	T0000-6840	1	Sprocket
3:1	3246-2	2	Screw-Set, HSH
4	T60133080	1	Sprocket
4:1	3246-2	2	Screw-Set, HSH
5	T60134080	1	Sprocket-Idler
6	327-8	1	Screw-HH

Ref.	Part Number	Qty.	Description
7	99-7667	2	Washer-Flat
8	3296-53	1	Nut-Lock, NI
9	325-6	2	Screw-HH
10	3296-23	2	Nut-Lock, NI
11	321-4	1	Screw-HH
12	3256-57	1	Washer-Flat
13	T36051810	1	Key-Drive
14	119-6905	1	Spacer



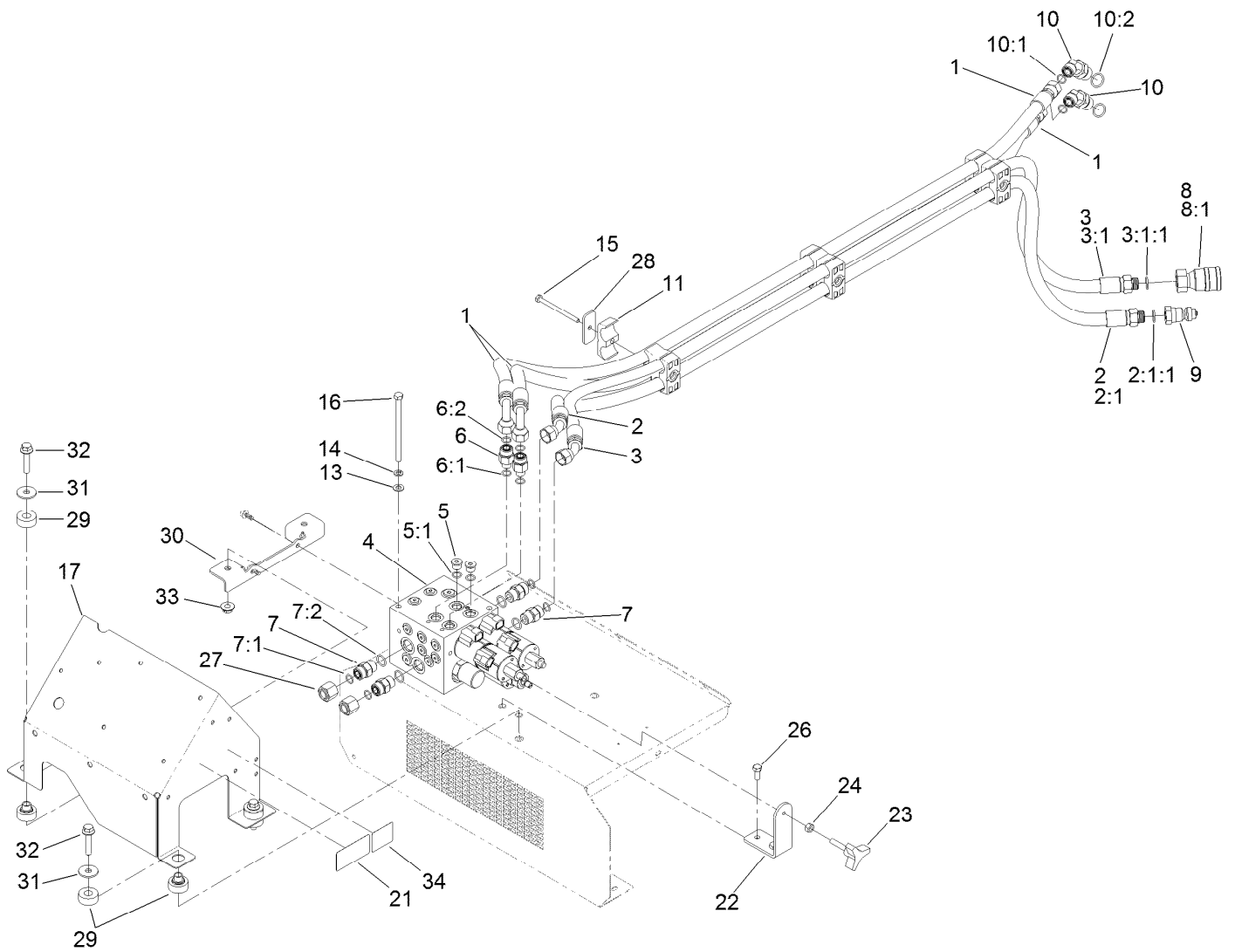
Hopper Assembly

<i>Ref.</i>	<i>Part Number</i>	<i>Qty.</i>	<i>Description</i>	<i>Ref.</i>	<i>Part Number</i>	<i>Qty.</i>	<i>Description</i>
1	T0001-2184-01	1	Extension-Hopper, Rear	12:3	119-6806	1	Decal-Danger
2	119-6906	54	Screw-HSBH	13	T36016084-01	1	Pocket-Control, Wireless
3	T36051116-01	4	Cap-Corner	14	104-8300	10	Nut-Flange, NI
5	T0000-7799-01	1	Wall-Hopper, Rear	15	3229-2	29	Screw-CARR
6	T0001-1626-01	1	Extension-Hopper, Front	16	T01-34550B	2	Skirt-Conveyor, Rubber
7	T36051112-01	1	Wall-Hopper, Right	17	T01-34551B	1	Rubber-Seal, Front
8	119-6903	10	Screw-HSBH	18	T36051140-01	1	Retainer-Skirt, Front
9	T01-44788D-03	1	Lift	19	T36051540-01	2	Retainer-Skirt, Conveyor
10	T36051108-01	1	Wall-Hopper, Left	20	66-6140	3	Decal
11	104-7201	83	Nut-Flange, NI	21	119-6801	2	Decal
12	119-6795	1	Wall-Hopper, Front	22	T0004-1839	1	Canister-Manual
12:2	119-0217	1	Decal-Danger				



Tailgate Assembly

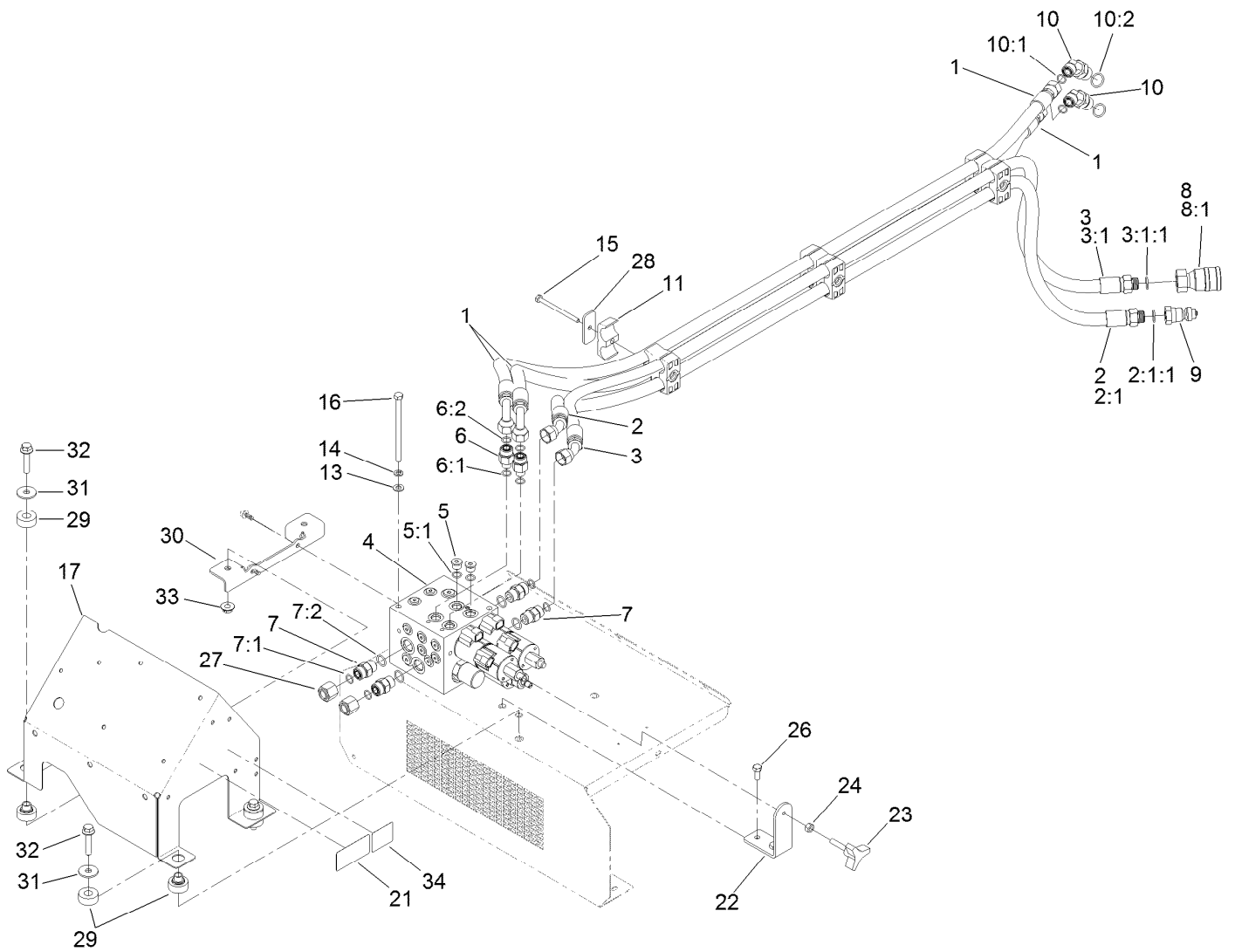
<i>Ref.</i>	<i>Part Number</i>	<i>Qty.</i>	<i>Description</i>	<i>Ref.</i>	<i>Part Number</i>	<i>Qty.</i>	<i>Description</i>
1	28-8070	1	Lanyard	13	119-6903	6	Screw-HSBH
2	3290-467	1	Pin-Hair	15	T0000-2561-01	1	Frame-Gate
3	T0001-6926	1	Pin-Tailgate	16	T0000-2623	2	Washer-Poly
4	106-1392	1	Ring-Retaining, Spiral (EXT)	17	110-6894	2	Washer-Pivot
5	104-7201	20	Nut-Flange, NI	18	T0002-0682	1	Handle-Adjustable
6	T0000-2597	7	Tine-Gate	19	T36051127	1	Pad-Wear, Gate
7	T0000-2588-01	1	Mount-Tine, Gate	20	3290-141	10	Screw-HSFH
8	321-4	7	Screw-HH	21	119-6906	3	Screw-HSBH
9	T0000-2564-01	1	Gate	22	104-8300	6	Nut-Flange, NI
10	T62021000	1	Grip-Handle	23	119-6808	1	Decal-Volume
11	3233-2	1	Screw-CARR	24	119-6818	1	Decal-Tail Gate
12	T0000-2585	2	Rod-Hinge				



Hydraulic System Assembly

Ref.	Part Number	Qty.	Description	Ref.	Part Number	Qty.	Description
1	119-6945	2	HYD Hose ASM	9	98-4698	1	Male-Disconnect, Quick
2	119-6946	1	HYD Hose ASM	10	340-89	2	Fitting-HYD, 45 DEG
2:1		1	Fitting-Straight ●	10:1	237-30	1	O-Ring
2:1:1	237-79	1	O-Ring	10:2	237-80	1	O-Ring
3	119-6947	1	HYD Hose ASM	11	56-7974	12	Clamp-Tube
3:1		1	Fitting-Straight ●	13	3256-23	2	Washer-Flat
3:1:1	237-79	1	O-Ring	14	3253-4	2	Washer-Lock
4	T0000-7792	1	HYD Block ASM	15	321-19	3	Screw-HH
5	353-989	2	Plug-Hex, Hollow	16	322-29	2	Screw-HH
5:1	237-42	1	O-Ring	17	130-8582-01	1	Guard-Control, HYD
6	340-5	2	Fitting-Straight	21	119-6815	1	Decal-Tighten Bolts
6:1	237-42	1	O-Ring	22	130-8584	1	Bracket-Knob
6:2	237-30	1	O-Ring	23	108-2356	1	Knob
7	340-4	4	Fitting-HYD, Straight	24	3217-6	1	Nut-Hex
7:1	237-30	1	O-Ring	26	322-3	2	Screw-HH
7:2	237-79	1	O-Ring	27	340-152	2	Cap-HYD
8	98-4699	1	Female-Disconnect, Quick	28	T36033040	3	Plate-Clamp
8:1	100-4165	1	Seal Kit	29	121-2870	4	Mount-2 Piece

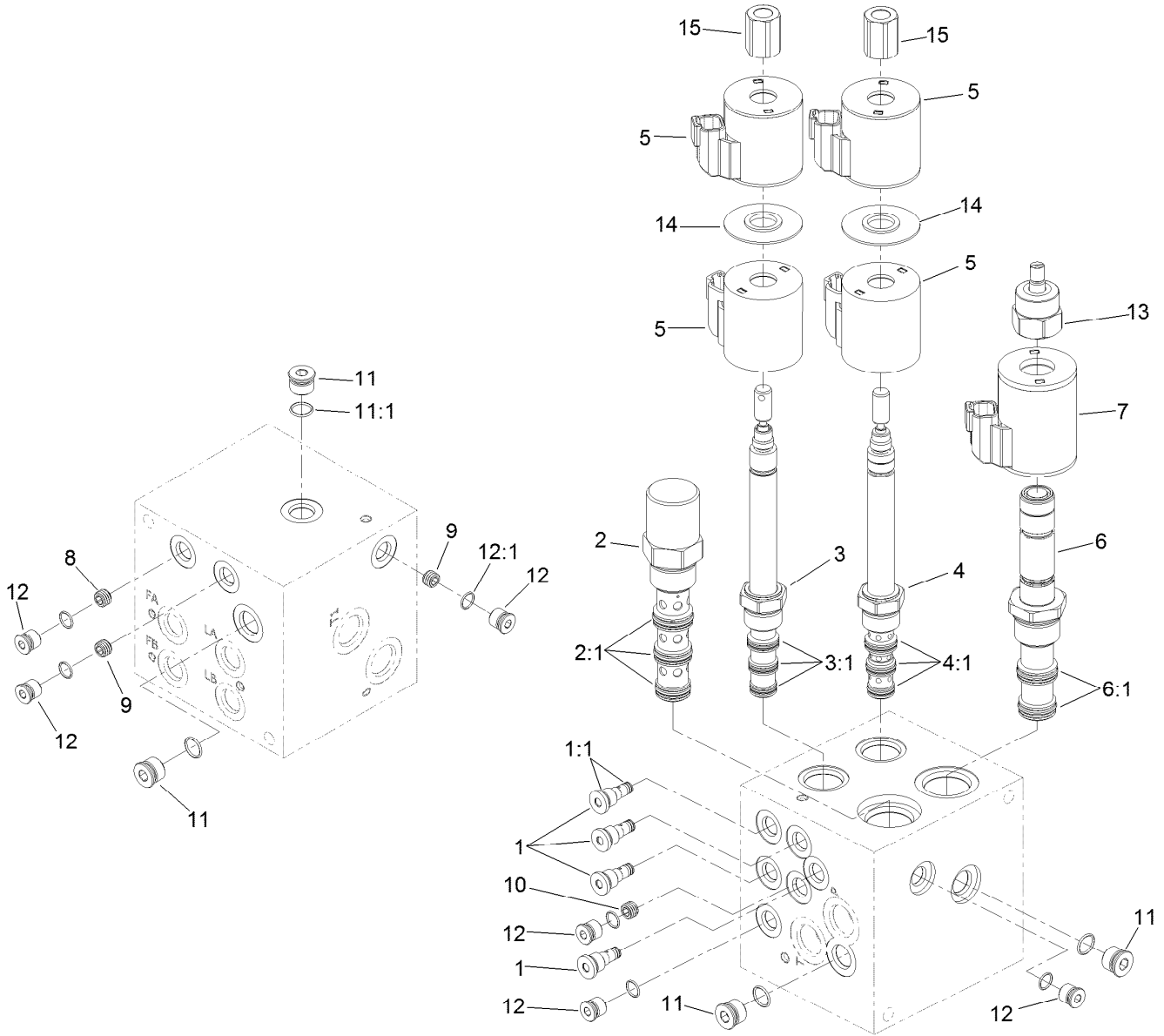
● Not serviced separately



Hydraulic System Assembly (continued)

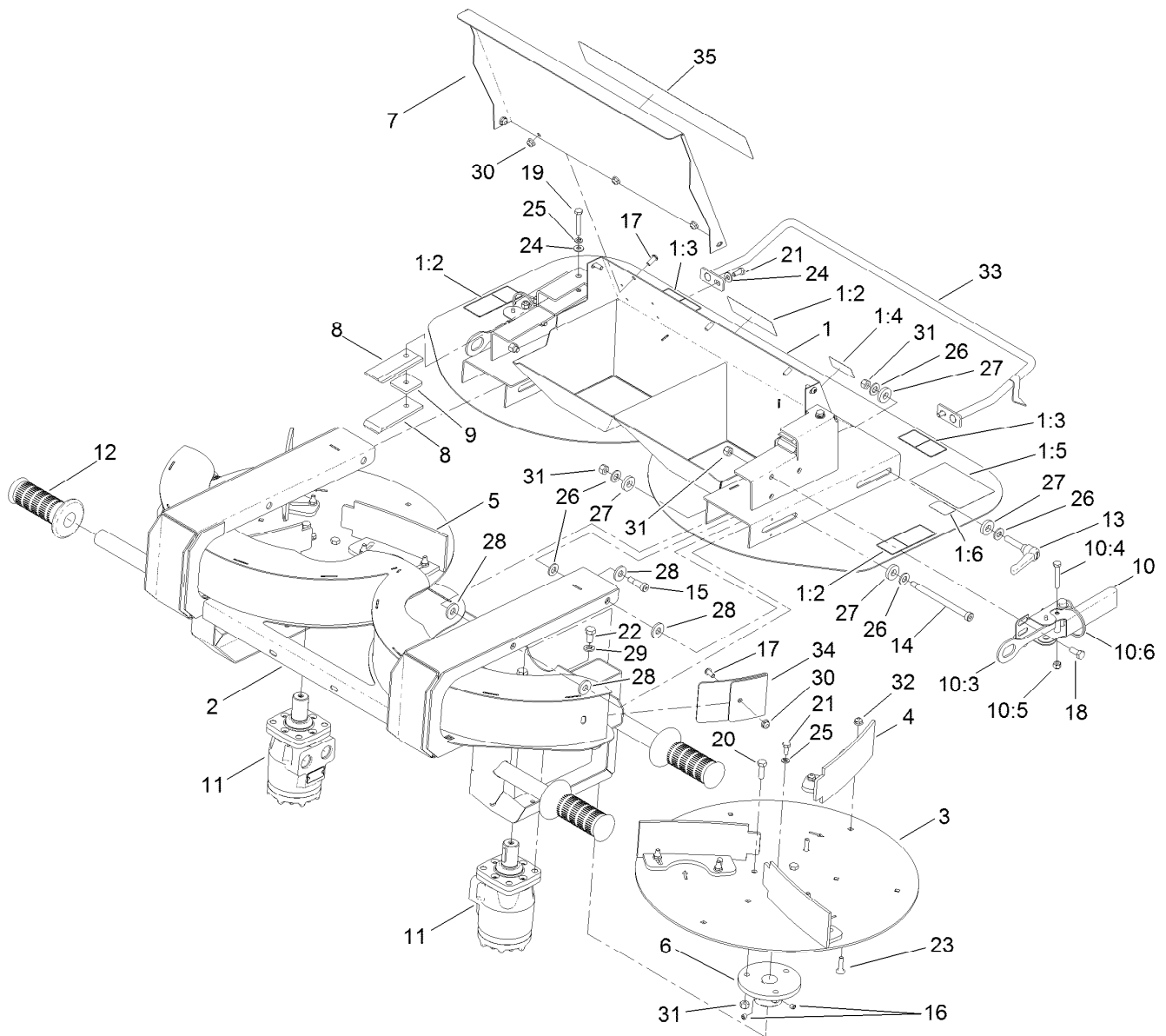
<i>Ref.</i>	<i>Part Number</i>	<i>Qty.</i>	<i>Description</i>	<i>Ref.</i>	<i>Part Number</i>	<i>Qty.</i>	<i>Description</i>
30	130-8583-01	1	Bracket-Isolation Mount	33	32128-19	2	Nut-HF
31	93-8806	4	Washer-Hardened	34	131-6766	1	Decal-Fuses
32	3234-19	4	Screw-HHF				

● Not serviced separately



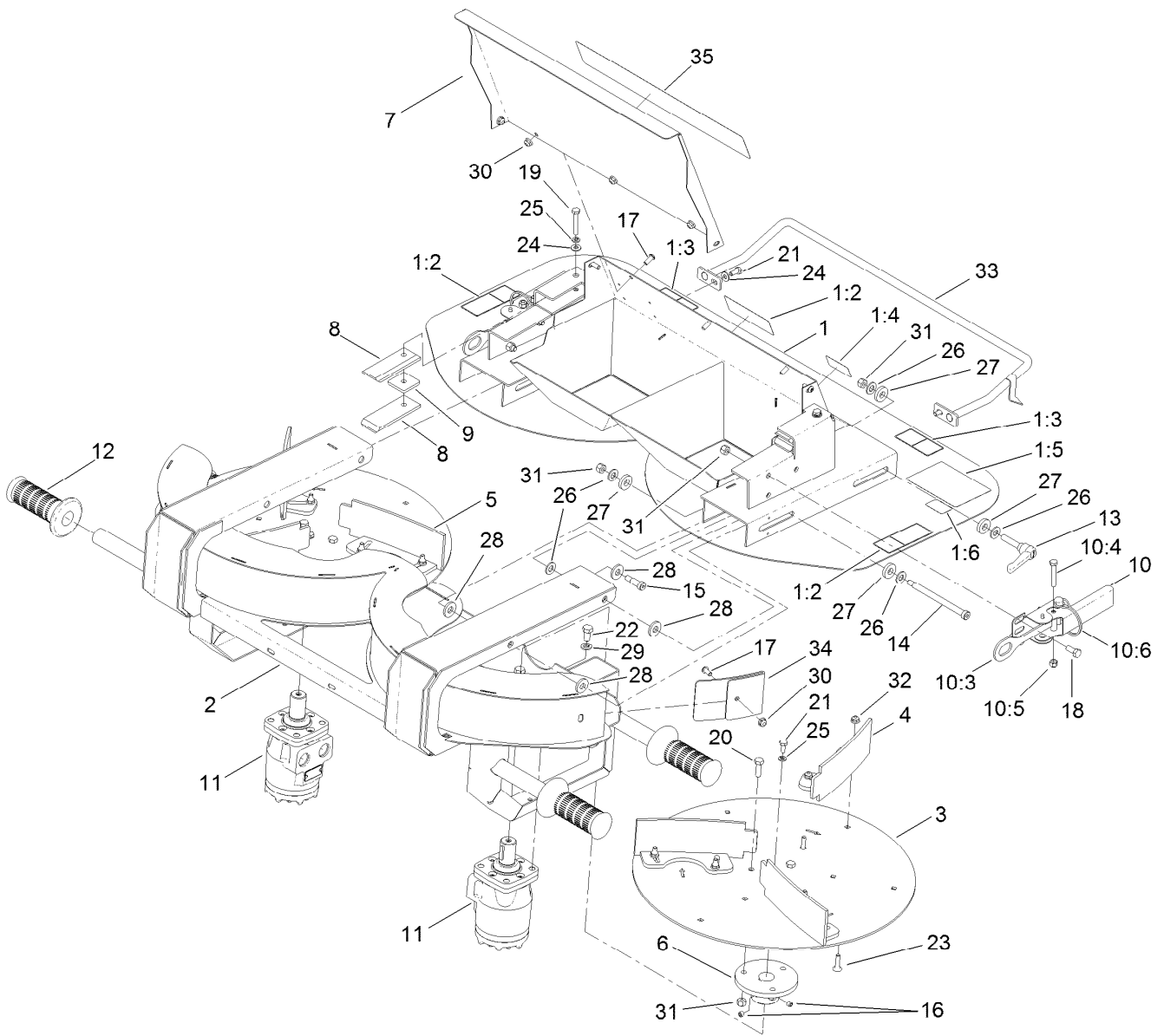
Hydraulic Block Assembly No. T0000-7792

<i>Ref.</i>	<i>Part Number</i>	<i>Qty.</i>	<i>Description</i>	<i>Ref.</i>	<i>Part Number</i>	<i>Qty.</i>	<i>Description</i>
1	120-9415	4	Valve-Check	7	120-0920	1	Coil-Valve
1:1	125-0100	1	Seal Kit	8	110-8883	1	Plug-Orifice (0.040)
2	120-9416	1	Valve-Pressure Compensator	9	110-8889	2	Plug-Orifice (0.020)
2:1	110-6111	1	Seal Kit	10	120-9422	1	Plug-Orifice (0.068)
3	120-9417	1	Valve-Solenoid	11	353-508	4	Plug-HH
3:1	110-8908	1	Spool Valve Seal Kit	11:1	237-42	1	O-Ring
4	120-9418	1	Valve-Solenoid	12	353-990	6	Plug ASM
4:1	110-8908	1	Spool Valve Seal Kit	12:1	237-78	1	O-Ring
5	119-4619	4	Coil-Solenoid	13	125-0101	1	Nut-Coil
6	120-9420	1	Valve-Proportional Flow	14	117-8316	2	Spacer-E Coil
6:1	114-5515	1	Seal Kit	15	125-0102	2	Nut-Coil



Twin Spinner Assembly

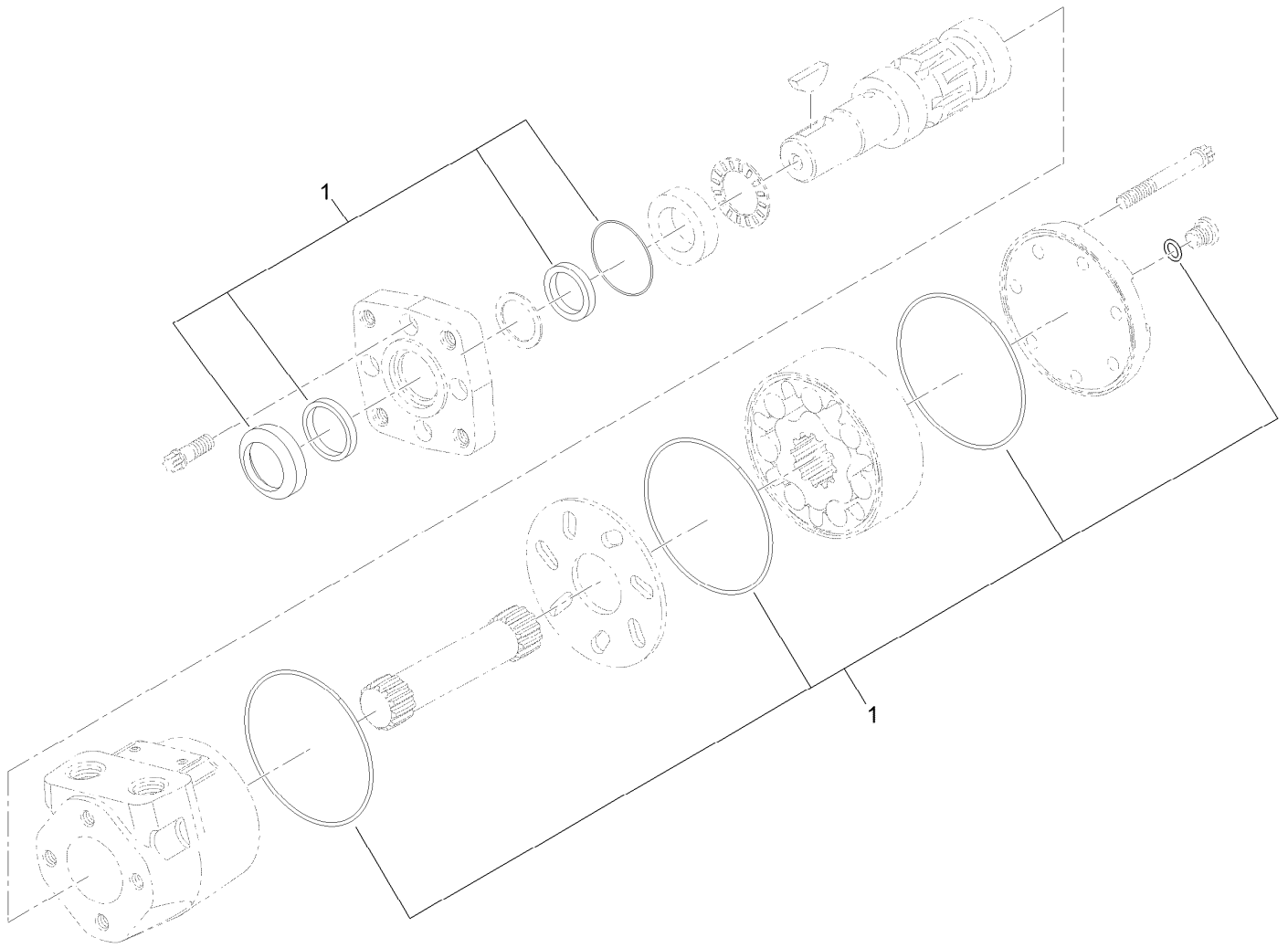
Ref.	Part Number	Qty.	Description	Ref.	Part Number	Qty.	Description
1	119-6793	1	Top Plate ASM	12	T62021010	4	Grip-Vinyl, Black
1:2	119-6804	3	Decal-Warning, Bystanders	13	T0000-2676	2	Handle-Adjustable
1:3	119-6805	2	Decal-Warning, Moving Parts	14	119-6914	2	Screw-Shoulder, HSH
1:4	119-6810	1	Decal-Propass, Lift	15	119-6915	2	Screw-Shoulder, HSH
1:5	119-6817	1	Decal-Fine Tuning	16	3246-2	4	Screw-Set, HSH
1:6	119-6816	1	Decal-Adjustment, Slide	17	119-6906	7	Screw-HSBH
2	T36054605-01	1	Frame-Spinner	18	322-3	6	Screw-HH
3	T36054790-01	2	Disk-Spinner	19	321-10	2	Screw-HH
4	T0001-2003-01	3	Paddle-Curved, Left	20	322-5	6	Screw-HH
5	T0001-2002-01	3	Paddle-Curved, Right	21	321-3	4	Screw-HH
6	T36054780	2	Hub-Disk, Spinner	22	323-4	8	Screw-HH
7	T0000-7676-01	1	Guard-Deflector, Sand	23	119-6920	12	Bolt-Carriage
8	T0000-2191	4	Slide-Attachment	24	3256-22	4	Washer-Flat
9	T0000-2189	2	Spacer-Attachment	25	3253-3	4	Washer-Lock
10	T36054750	2	Quick Attach Latch ASM	26	3256-24	10	Washer-Flat
10:3	T0002-1281-01	1	Hook ASM	27	T0000-2386	8	Washer-Plain
10:4	321-10	1	Screw-HH	28	T0000-2160	8	Washer-Plain
10:5	3296-42	1	Nut-Lock, NI	29	3253-21	8	Washer-Lock
10:6	100-1663	1	Pin-Hitch	30	104-7201	7	Nut-Flange, NI
11	T0001-9863	2	HYD Motor ASM	31	3296-29	16	Nut-Lock, NI
				32	119-6921	12	Nut-Hex, Flange



Twin Spinner Assembly (continued)

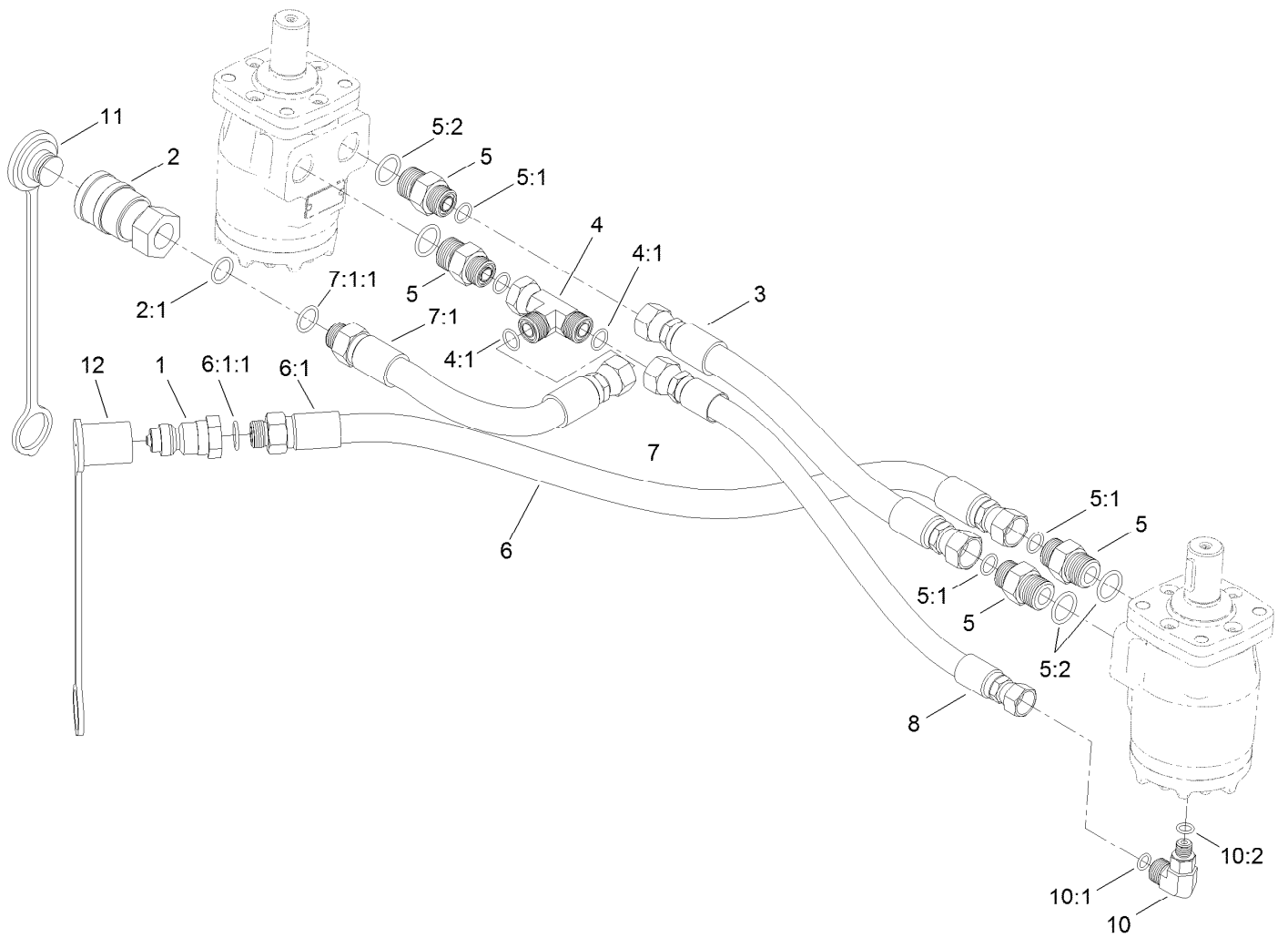
<i>Ref.</i>	<i>Part Number</i>	<i>Qty.</i>	<i>Description</i>
33	T0000-7686-01	1	Handle-Slide

<i>Ref.</i>	<i>Part Number</i>	<i>Qty.</i>	<i>Description</i>
34	T0002-2373-01	2	Plate-Wear, Spinner
35	119-6814	1	Decal-Operating System



Hydraulic Motor Assembly No. T0001-9863

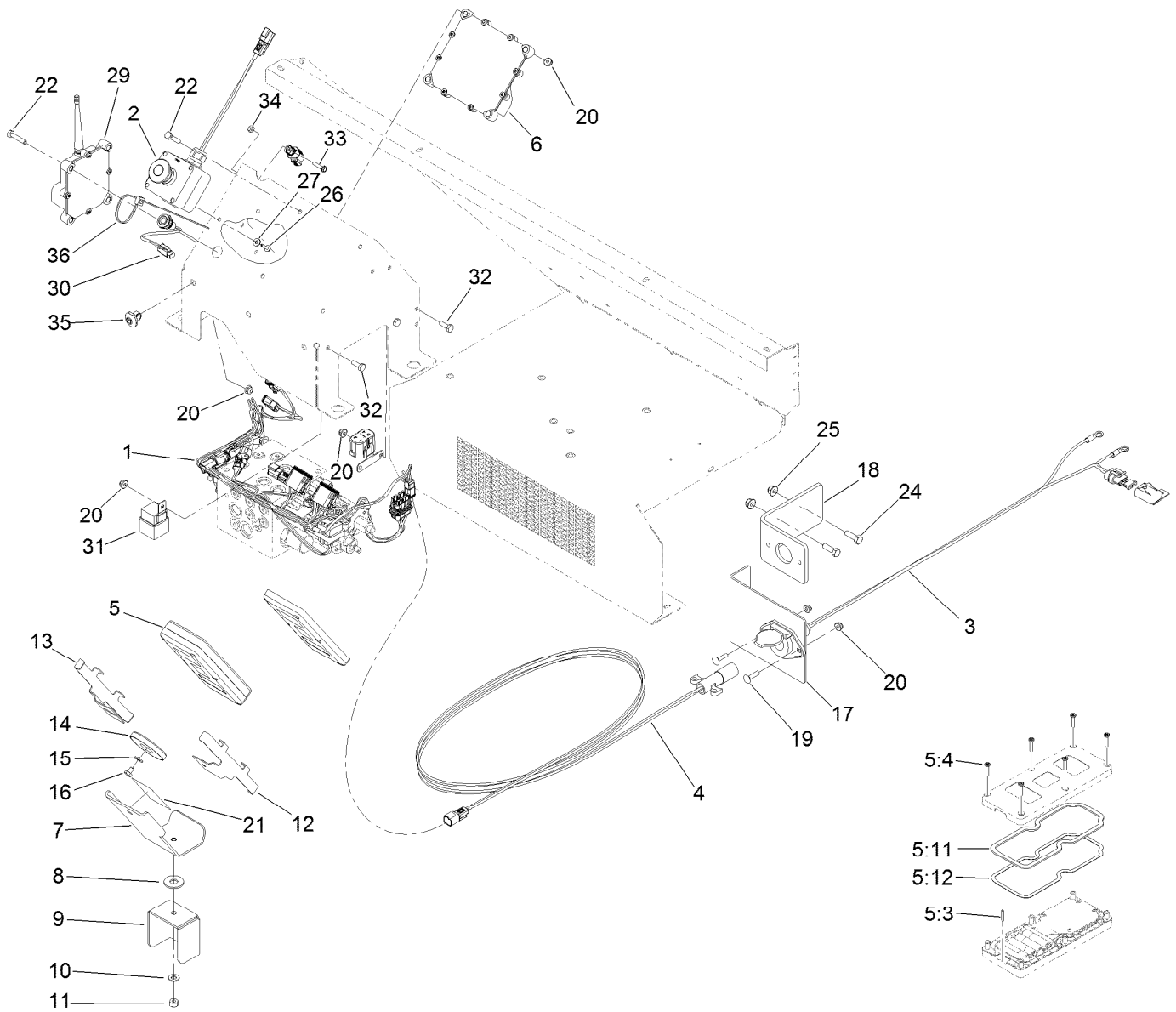
<i>Ref.</i>	<i>Part Number</i>	<i>Qty.</i>	<i>Description</i>
1	T56013016	1	Seal Kit



Twin Spinner Hydraulic Assembly

Ref.	Part Number	Qty.	Description	Ref.	Part Number	Qty.	Description
1	98-4698	1	Male-Disconnect, Quick	6:1:1	237-79	1	O-Ring
2	98-4699	1	Female-Disconnect, Quick	7	120-0812	1	HYD Hose ASM
2:1	100-4165	1	Seal Kit	7:1		1	Fitting-Straight ●
3	117-0180	1	Hose-HYD	7:1:1	237-79	1	O-Ring
4	340-104	1	Fitting-HYD, Tee	8	120-0810	1	HYD Hose ASM
4:1	237-30	2	O-Ring	10	340-97	1	Fitting-HYD, 90 DEG
5	340-6	4	Fitting-HYD, Straight	10:1	237-22	1	O-Ring
5:1	237-30	1	O-Ring	10:2	237-78	1	O-Ring
5:2	237-80	1	O-Ring	11	T56152150	1	Plug-Quick Connect
6	120-0842	1	HYD Hose ASM	12	T56152152	1	Cap-Quick Connect
6:1		1	Fitting-Straight ●				

● Not serviced separately



Electrical Assembly

Ref.	Part Number	Qty.	Description	Ref.	Part Number	Qty.	Description
1	122-0336	1	Harness-Wire	15	3256-22	1	Washer-Flat
2	119-6909	1	Stop-Emergency	16	321-1	1	Screw-HH
3	119-6910	1	Harness-Wire, Universal Power Lead	17	T36054020	1	Bracket-Socket
4	119-6911	1	Harness-Wire, Intermediate Power	18	T36054030	1	Bracket-Socket, Heavy
5	125-1330	1	Remote ASM	19	3229-2	2	Screw-CARR
5:3	121-2818	1	Pin-Lanyard	20	104-7201	13	Nut-Flange, NI
5:4	119-6414	6	Screw-PPH	21	119-6819	1	Decal-Wireless Control
5:11	125-1225	1	Backer-Gasket, HH (Large)	22	321-8	8	Screw-HH
5:12	125-1226	1	Gasket-HH (Large)	24	322-5	2	Screw-HH
6	125-1360	1	Controller	25	104-8300	2	Nut-Flange, NI
7	T0002-8685-01	1	Mount-Controller	26	98-1375	2	Screw-HWH
8	T0000-2623	1	Washer-Poly	27	3256-14	2	Washer-Flat
9	T0002-8666-01	1	Base-Swivel	29	125-1230	1	Controller
10	3256-23	1	Washer-Flat	30	122-0630	1	Lamp-Led, Red Indicator
11	3296-29	1	Nut-Lock, NI	31	99-7430	1	Relay
12	125-5960-03	1	Sleeve-Half	32	321-4	3	Screw-HH
13	125-5962-03	1	Sleeve-Half	33	106-9169	1	Screw-HWH
14	T0002-8729	1	Magnet-Ceramic, Encased	34	3296-2	1	Nut-Lock, NI
				35	32180-149	3	Tie-Button Head
				36	3290-378	1	Tie-Cable

Attachments and Accessories

For 44751 ProPass 200 Top Dresser with Twin Spinner and Wireless Control

Product Name	Model/Part
Twin Spinner	44702
Conveyor and Swivel Kit	44703
Tow-Type Chassis	44704
Tow-Type Chassis Fender Kit	44705
Tow-Type Chassis Hose Assembly Kit	44706
Toro Workman Chassis	44707
Storage Stand	44712
Hydraulic Power Pack	44713

Notes:



Count on it.