



WHEEL HORSE[®] LAWN TRACTOR

MODEL NO. 71192 - 5900001 & UP

**SET-UP
INSTRUCTIONS**

Loose Parts

Note: Use the chart below to verify all parts have been shipped.

| DESCRIPTION | QTY. | USE |
|-------------------------|------|--|
| Front Wheel | 2 | Install front wheels. |
| Flat Washer | 2 | |
| Cotter Pin | 2 | |
| Hub Cap | 2 | |
| Spacer (on axle) | 2 | Install rear wheels. |
| Rear Wheel | 2 | |
| Square Key | 2 | |
| Flat Washer | 2 | |
| E-ring | 2 | |
| Hub Cap | 2 | |
| Steering Wheel | 1 | Install steering wheel. |
| Roll Pin | 1 | |
| Seat | 1 | Instal the seat. |
| Knob | 1 | |
| Flat Washer | 1 | |
| Wire Clip (on seat pan) | 1 | |
| Bolt 1/4-24 x 3/4" | 2 | Install battery cables. |
| Wing nut | 2 | |
| Spring Hook | 1 | Used to install lift assist spring. |
| Key | 1 | Use in ignition switch. |
| Operator's Manual | 1 | Read and watch before operating tractor. |
| Safety Booklet | 1 | |
| Safety Video | 1 | |
| Registration Card | 1 | Fill out and mail the card. |

Install Front Wheels

Note: If wheels are already installed, refer to Check Tire Pressure (below).

1. Install wheel onto axle with valve stem out.
2. Slide the flat washer onto the axle. Insert cotter pin through the axle and bend the ends of the pin apart (Fig. 1).
3. Push the hub cap (Fig. 1) onto the end of the axle.

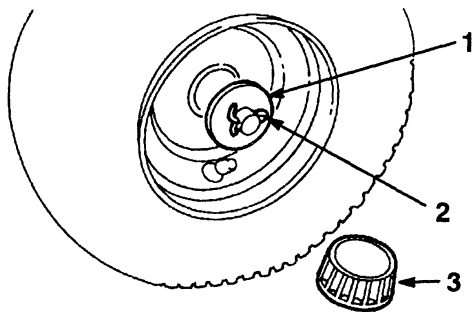


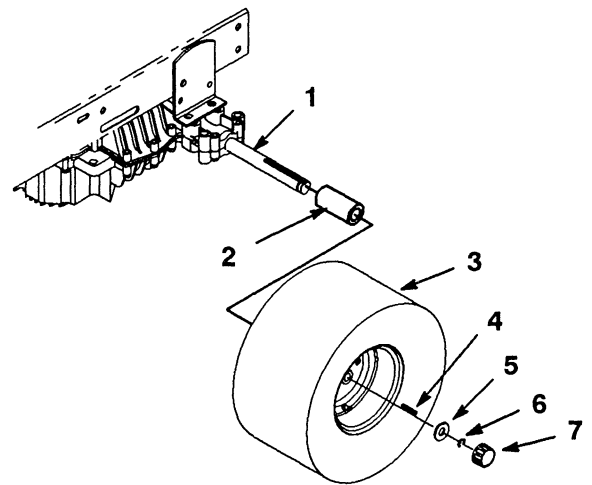
Figure 1

1. Flat washer
2. Cotter pin
3. Hub cap

-
4. Repeat steps 1–3 on opposite side.
 5. Grease the wheel bearings.

Install Rear Wheels

1. Grease the axle to prevent corrosion. Slide spacer then wheel, with valve stem to the outside, onto axle (Fig. 2).
2. Slide key into keyway of axle and wheel hub (Fig. 2).
3. Slide washer onto axle and secure with E-ring (Fig. 2).
4. Press hub cap over washer (Fig. 2).



1779

Figure 2

1. Axle
2. Spacer
3. Wheel
4. Key
5. Washer
6. E-ring
7. Cap

Check Tire Pressure

Check front and rear tire pressure. See Operator's Manual for specification.

Install Steering Wheel

1. Move front wheels straight ahead.
2. Slide the steering wheel over shaft. Line up the hole in the steering wheel with the hole in the shaft (Fig. 3). From the seat you should be able to read the brand logo on the steering wheel.
3. To align the holes, insert a punch or long nail partially through the holes in the steering wheel and shaft. Then insert the roll pin into the hole on the opposite side.
4. Using a hammer, drive the roll pin in until it is flush with the outside of the steering wheel (Fig. 3).

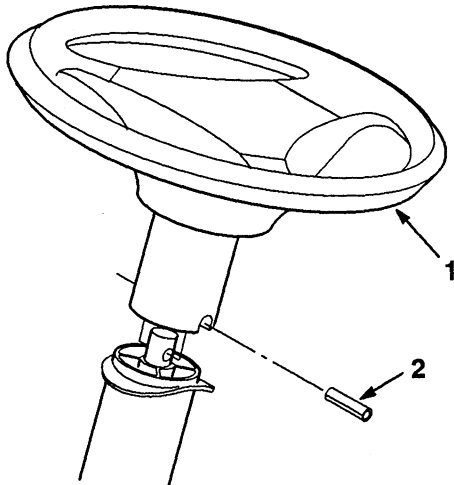


Figure 3

1. Steering wheel 2. Roll pin

Install Seat

Note: If the seat is already installed, proceed to Activate The Battery, page 4.

1. Insert seat switch wire cable through the hole in the seat base (Fig. 4).
2. Position the seat onto the seat base by inserting the two shoulder bolts through key hole openings at the end of both slots (Fig. 4).
3. Thread the knob and flat washer through slot into the rear center hole in the seat (Fig. 4). Adjust the seat and tighten the knob.
4. Push the seat switch connector fully into the wire harness connector (Fig. 4).
5. Secure the seat switch wire cable to seat base with wire clip (Fig. 4).

Note: Check seat switch wire routing, it must not be pinched in seat brackets.

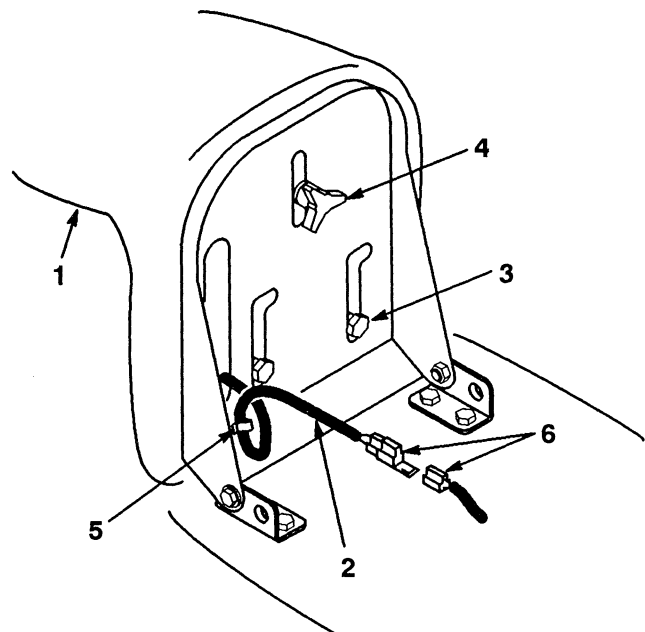


Figure 4

- | | |
|-----------------------|-------------------------|
| 1. Seat | 4. Knob and flat washer |
| 2. Wire and connector | 5. Wire clip |
| 3. Shoulder bolts | 6. Connectors |

Activate the Battery

Bulk electrolyte with 1.260 specific gravity must be purchased from a local battery supply outlet.

1. Remove the battery and battery box from the tractor: refer to Operator's Manual, Removing the Battery.

IMPORTANT: Be careful not to damage the long vent tube when removing the battery box.

DANGER

POTENTIAL HAZARD

- Battery electrolyte contains sulfuric acid which is a deadly poison and it causes severe burns.

WHAT CAN HAPPEN

- If you carelessly drink electrolyte you could die or if it gets onto your skin you will be burned.

HOW TO AVOID THE HAZARD

- Do not drink electrolyte and avoid contact with skin, eyes or clothing. Wear safety glasses to shield your eyes and rubber gloves to protect your hands.
- Fill the battery where clean water is always available for flushing the skin.
- Follow all instructions and comply with all safety messages on the electrolyte container.

2. Unscrew six filler caps from the battery. Slowly pour electrolyte into each cell until the level is up to the "UPPER" line on the battery case (Fig. 5).

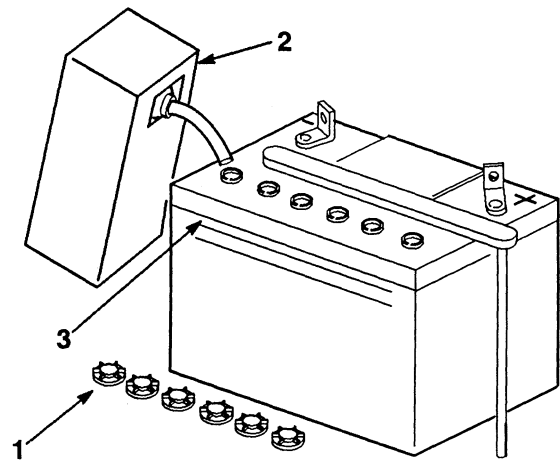


Figure 5

1. Filler caps
2. Electrolyte
3. Upper line

3. Leave the filler caps off and connect a 3 to 4 amp battery charger to the battery posts (Fig. 6). Charge the battery at a rate of 4 amperes or less for 4 hours (12 volts).

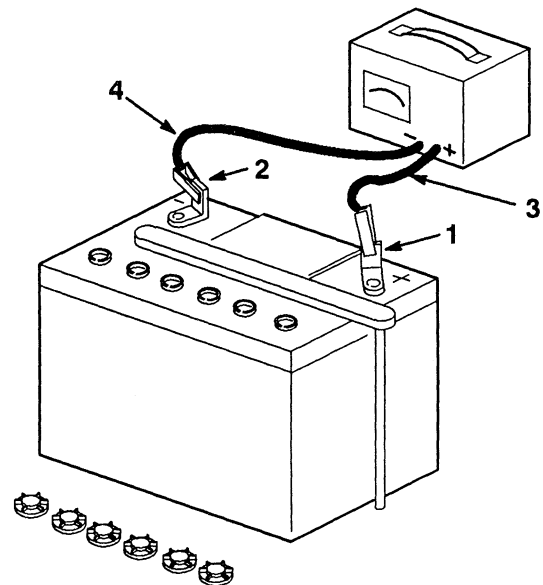


Figure 6

1. Positive post
2. Negative post
3. Charger red (+) wire
4. Charger black (-) wire

 **WARNING**

POTENTIAL HAZARD

- **Charging battery produces gasses.**

WHAT CAN HAPPEN

- **Battery gasses can explode.**

HOW TO AVOID THE HAZARD

- **Keep cigarettes, sparks and flames away from battery.**

4. When the battery is fully charged, disconnect the charger from the electrical outlet and from the negative and positive battery posts (Fig. 6).
5. Slowly pour electrolyte into each cell until the level is once again up to the “UPPER” line on the battery case (Fig. 5).
6. Install the battery and battery box in the tractor: refer to the Operator’s Manual, Installing the Battery.

Fill Crankcase with Oil

The tractor is shipped from the factory without oil in the engine crankcase: refer to the Operator’s Manual, Engine Oil Specifications for oil type, viscosity, and crankcase capacity. Only add about 80% of the specified amount of oil. Then check the oil level and add only enough oil to raise the level to the “FULL” mark on the dipstick.

Lubricate the Tractor

Refer to the Operator’s Manual, Greasing and Lubrication.

Insert Key into Switch

Check Safety System

Refer to the Operator’s Manual, Checking Safety System.

Purge Hydro Transaxle

During handling and shipping air can be introduced into the hydro transaxle. To achieve proper performance all trapped air must be removed.

1. Place tractor on a flat level surface.
2. Place the drive control, under rear frame, to the "Push" position (Fig. 7).

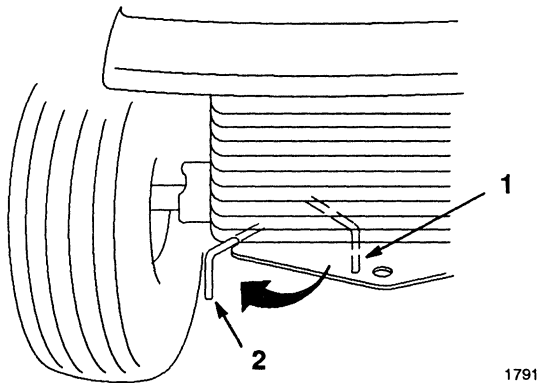


Figure 7

1. Operate position 2. Push position

3. Run engine at a low idle and move traction control pedal forward for five (5) seconds then reverse for five (5) seconds. Repeat three (3) times.
4. Place the drive control in the "Operate" position (Fig. 7). Drive the tractor forward then reverse approximately five (5) feet. Repeat three (3) times.

Check Hydro Neutral Position

Adjustment is required if the tractor creeps without the traction control pedal being depressed.

1. Run engine at a low idle and move traction control pedal forward, then release. Move traction control pedal reverse, then release. If the tractor creeps adjust as follows:
2. Raise the rear wheels off the ground and support with jackstands.
3. Loosen locknut securing adjustment (Fig. 8).
4. Move adjustment stud up or down until creep is minimized (Fig. 8). There may still be some wheel rotation with wheels off the ground.
5. Tighten the locknut (Fig. 8). Move the traction control pedal forward and reverse and allow it to center. Verify that there is still no creep with the wheels on the ground.

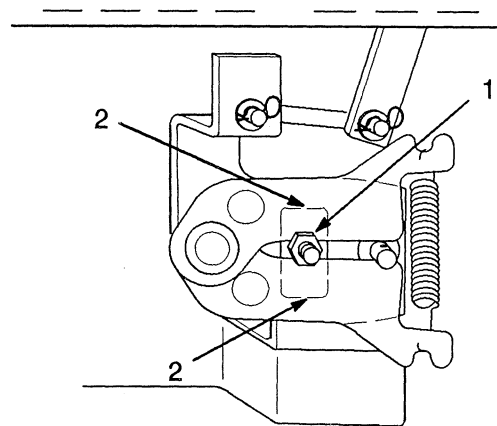


Figure 8

1. Locknut
2. Stop

Check Traction Control Pedal

After adjusting the hydro neutral position it is necessary to check the traction control pedal travel. While pressing the control pedal full forward and full reverse it must not contact the footrest pad before hitting the stop(s) at the transaxle (Fig. 8).

1. If contact is made with the foot pad in either direction, forward or reverse, adjustment is required.
2. Loosen the capscrews below the right footrest. Slide the pedal in the slots away from the direction that made contact with the footrest (Fig. 9).
3. Tighten capscrews and recheck traction control pedal for contact with footrest.

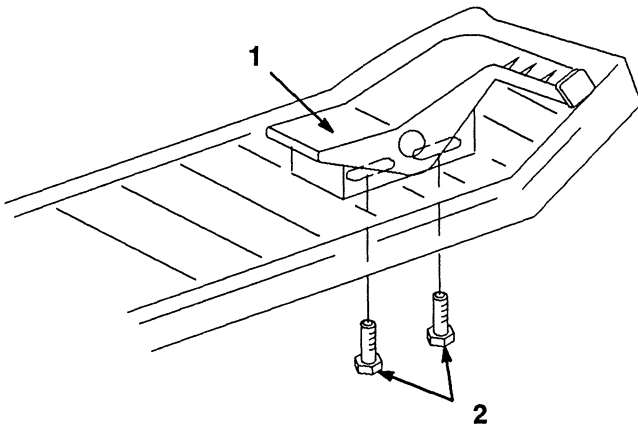


Figure 9

1. Traction control pedal
2. Adjusting capscrews

Test Drive the Tractor

Make sure all electrical and mechanical systems are operating properly.

