



<b>1"– 4" Height of Cut – Kit</b> ProLine Mid-Size Traction Unit	
MODEL 30158	<b>INSTALLATION INSTRUCTIONS</b>

## Loose Parts

**Note:** Use the chart below to verify all parts have been shipped.

DESCRIPTION	QTY.	USE
Tire 13 x 6.50 – 6	2	Install on existing rims
H-O-C decal – left	1	Install on mower frame
H-O-C decal –right	1	
Parts Catalog	1	Save for replacement parts

## Install Rear Wheels

1. Jack up rear of traction unit and support with jack stands.
2. Remove rear wheels from traction unit (Fig. 1). Save mounting hardware.
3. Install new tires (13x6.50-6) onto rims
4. Install rear wheels onto traction unit with previously removed hardware (Fig. 1). Tighten nuts securely.

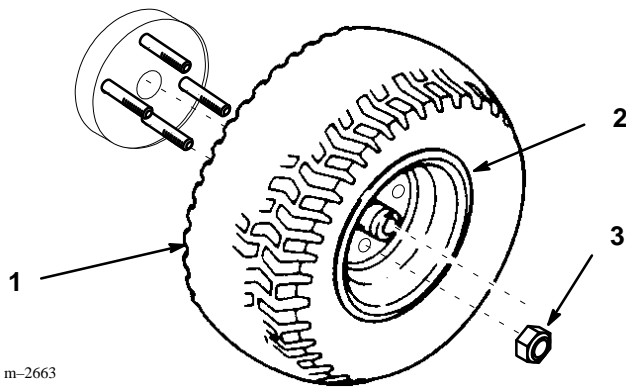


Figure 1

- |                   |        |
|-------------------|--------|
| 1. Tire 13x6.50-6 | 3. Nut |
| 2. Wheel          |        |

## Install H-O-C Decals

1. Locate right and left decals over existing H-O-C decals on mower frame (Fig. 2).
2. Hold firmly in position and lift one end. Tear off backing paper and smooth into position from center to avoid air bubbles. Lift other side of decal, remove backing paper and smooth from center to avoid bubbles.
3. Repeat installation of decal on other side of mower frame.

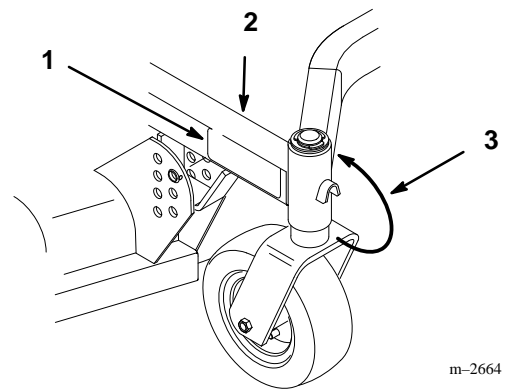


Figure 2

- |                |                       |
|----------------|-----------------------|
| 1. Decal       | 3. Move spacer to top |
| 2. Mower frame |                       |

## Check Tire Pressure

Check front and rear tire pressure. Set at 12-15 p.s.i.

## Adjust H-O-C

Move spacers on front castor wheels to top (Fig. 2). See Operator's Manual for specification.