



CE UPDATE KIT 44" ProLine Mowers	
Model No. 30546 – 690001 & Up	INSTALLATION INSTRUCTIONS

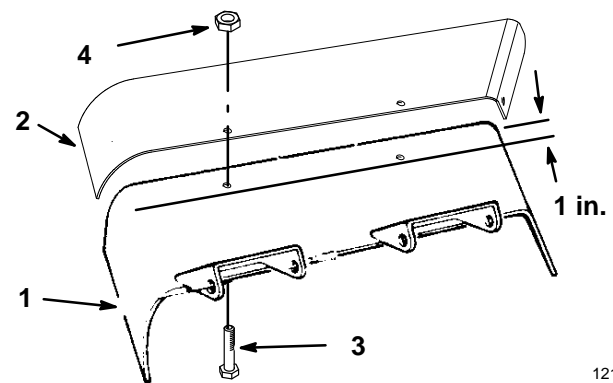
Loose Parts

Note: Use the chart below to identify parts used for assembly.

DESCRIPTION	QTY.	USE
Discharge deflector	1	
Bolt 5/16-18 x 3/4" (19 mm)	2	Install discharge chute extension
Lock nut (thin)	2	
Baffle	1	
Bolt 5/16-18 x 3/4" (19 mm)	7	Install front baffle
Lock nut (thin)	7	

Installing Discharge Chute Extension

1. Position discharge deflector over end of discharge chute (Fig. 1). Overlap end of chute 1 inch.
2. Using discharge deflector as a template drill (2) 9 mm holes in discharge chute
3. Secure discharge chute extension to discharge chute with (2) 5/16 x 19 mm bolts, through from the bottom and thin lock nuts (Fig. 1).



1212

Figure 1

- | | |
|------------------------|--------------------------------|
| 1. Discharge chute | 3. Bolt 5/16-18 x 3/4" (19 mm) |
| 2. Discharge deflector | 4. Lock nut (thin) |

Installing Front Baffle

1. Position front baffle inside mower deck level with left edge of mower (Fig. 2).
2. Using front baffle as a template drill 9 mm holes in mower.
3. Secure front baffle to mower with (7) 5/16 x 19 mm bolts, through from the inside and thin lock nuts (Fig. 2).

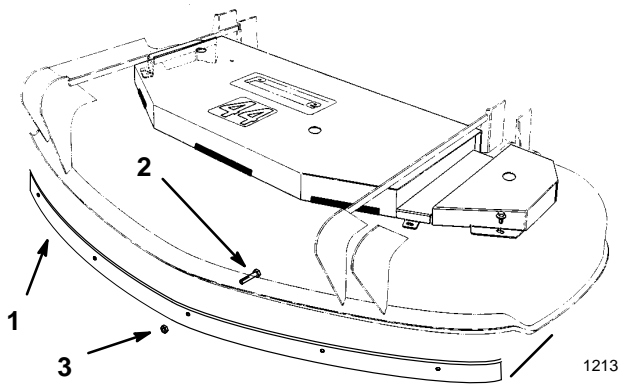


Figure 2

- | | |
|--------------------------------|--------------------|
| 1. Front baffle | 3. Lock nut (thin) |
| 2. Bolt 5/16-18 x 3/4" (19 mm) | |