



CE UPDATE KIT	
37" ProLine Mid-Size Mower Model No. 30137	
PART NO. 93-9460	INSTALLATION INSTRUCTIONS

Loose Parts

Note: Use the chart below to identify parts used for assembly.

DESCRIPTION	QTY.	USE
Deflector baffle	1	
Bolt 5/16-18 x 3/4" (19mm)	2	Install deflector baffle
Lock nut 5/16" thin	2	
Front baffle	1	
Bolt 5/16-18 x 3/4" (19mm)	5	Install front deflector
Lock nut 5/16" thin	5	
Belt guard hold-down	1	
Bolt 5/16-18 x 1-1/4" (32mm)	1	Install belt guard hold down
Nut 5/16"	1	
Lock nut 5/16" thin	1	
Decal package	1	Replace existing decals of like shape

Install Deflector Baffle

1. Hold deflector baffle in position along front of deflector, with large end toward the mower (Fig. 1).
2. Line up inside edge with deflector edge and space so it extends below as shown (Fig. 1).
3. Mark and drill (2) 9 mm holes in deflector (Fig. 1).
4. Secure with 5/16-18 x 3/4 (9mm) bolts and thin 5/16 lock nuts (Fig. 1).

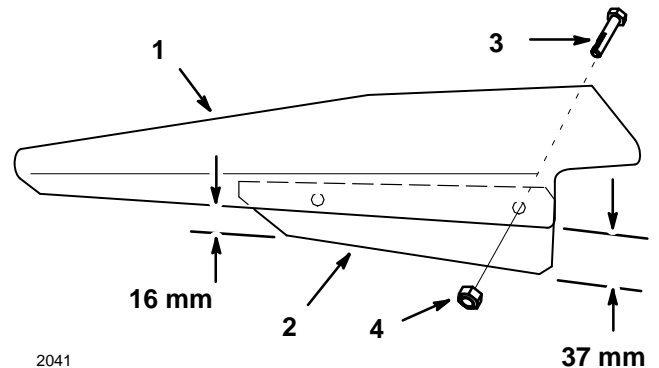


Figure 1

- | | |
|---------------------|-------------------------------|
| 1. Grass deflector | 3. Bolt 5/16-18 x 3/4" (9 mm) |
| 2. Deflector baffle | 4. Lock nut 5/16" thin |

Install Front Baffle

1. Locate baffle inside front of mower with formed notch to the right side. Bend baffle to conform to mower front radius and even with lower edges of outer cutting chambers. Clamp baffle at the center.
2. Drill a 9 mm hole through the front of the mower next to clamp at center. Secure baffle to mower at center with 5/16–18 x 3/4" (19mm) bolt, through from the inside, and a thin 5/16 lock nut (Fig. 2).

Note: Use the holes in the baffle only as a guide for hole location. It is not necessary to use there exact location.

Note: Look, before drilling holes, that there will be clearance for installing bolts.

3. Working left and right from the center, drill (4) 9 mm holes in mower. Secure baffle with 5/16–18 x 3/4" (19mm) bolts, through from the inside, and secure with thin 5/16 lock nuts (Fig. 2).

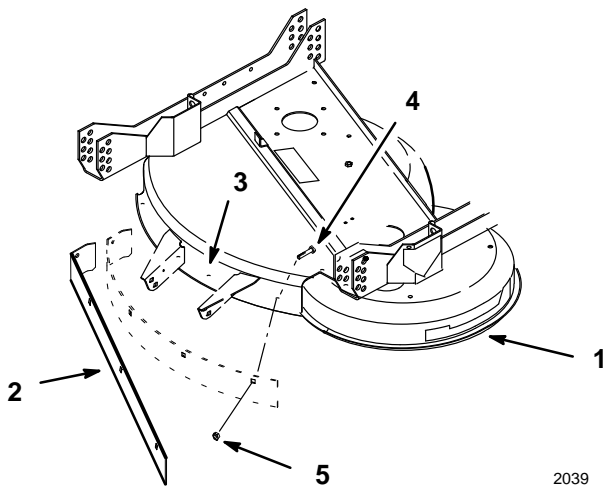


Figure 2

- | | |
|------------------------------|-------------------------------|
| 1. 37" mower | 4. Bolt 5/16–18 x 3/4" (19mm) |
| 2. Front baffle | 5. Lock nut 5/16" thin |
| 3. Drill 9 mm hole at center | |

Install Belt Guard Hold-Down

1. Remove existing bolt securing kicker at center rear of mower. Replace with longer 5/16–18 x 1-1/4 (32 mm) bolt from kit. Insert from inside mower and secure with 5/16 nut (Fig. 3).
2. Position hold-down over bolt at the rear and to the right of the step on belt guard (Fig. 3). Secure hold-down with 5/16 thin lock nut (Fig. 3).

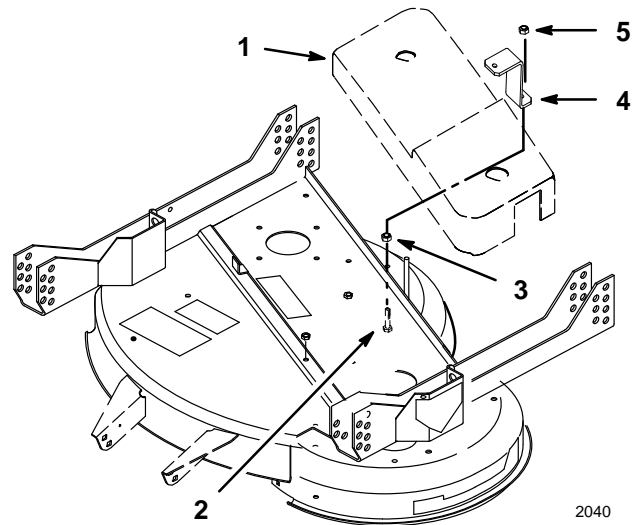


Figure 3

- | | |
|----------------------------------|------------------------|
| 1. Belt cover | 3. Nut 5/16" |
| 2. Bolt 5/16–18 x 1-1/4" (32 mm) | 4. Hold-down bracket |
| | 5. Lock nut 5/16" thin |