



**Count on it.**

**Parts Catalog**

**Counterweight And Reel Kit**

**RT1200 Trencher**

Model No. 25459

Model No. 25459E



# Ordering Replacement Parts

To order replacement parts, please supply the part number, the quantity, and the description of each part desired.

## Understanding Reference Numbers

Each identified part in an illustration has a reference number. The reference number for a part also appears in the parts list, along with other information about the part.

This catalog uses two special reference number formats, one to indicate parts in a service assembly and another to indicate the quantity of a given part in an illustration.

## Service Assembly Reference Numbers

Parts in service assemblies have reference numbers in the form a:b. The a represents the reference number of the entire service assembly and the b represents a sequential number unique to each part within the service assembly.

For example, a wheel assembly might be identified by reference number 6, the tire by 6:1, the valve by 6:2, and the wheel by 6:3. When you order the assembly identified by reference number 6, you receive all parts identified by reference numbers 6:1, 6:2, and 6:3. However, you may also order any part individually. Reference numbers of this type appear in illustration and in parts lists.

## Reference Numbers Indicating Quantity

In an illustration, if a reference number indicates more than one part, the reference number has the form nX y. The n represents the quantity of the part, the X is the multiplication symbol, and the y represents the reference number.

For example, in an illustration, the reference number 2X 37 means that two of the parts identified by reference number 37 are indicated.

# List of Abbreviations

**AR:** as required

**ASM:** assembly

**BBC:** blade brake control

**BHTF:** button head thread forming

**CARR:** carriage

**CCW:** counter clockwise

**CW:** clockwise

**DEG:** degrees

**DPA:** Dual Point Adjustment

**ECM:** electronic control module

**EXT:** external

**FH:** flat head

**GA:** gauge

**HD:** heavy-duty

**HF:** hex flange

**HH:** hex head

**HHF:** hex head flange

**HHFTF:** hex head flange thread forming

**HJ:** hex jam

**HLH:** hex lag head

**HOC:** height-of-cut

**HP:** high pressure

**HSBH:** hex socket button head

**HSFH:** hex socket flat head

**HSH:** hex socket head

**HWH:** hex washer head

**HWHTF:** hex washer head thread forming

**HYD:** hydraulic

**LH:** left hand

**LP:** low pressure

**LPG:** Liquefied Petroleum Gas

**NI:** nylon insert

**NPTF:** national pipe thread fine

**PFH:** phillips flat head

**PPH:** phillips pan head

**PPHTF:** phillips pan head thread forming

**PRH:** phillips round head

**PTH:** phillips truss head

**PTO:** power-take-off

**RH:** right hand

**ROPS:** roll-over protection system

**RRB:** rear roller brush

**SFH:** slotted fillister head

**SHH:** slotted hex head

**SHWH:** slotted hex washer head

**SPH:** slotted pan head

**SQH:** square head

**SRH:** slotted round head

**STD:** standard

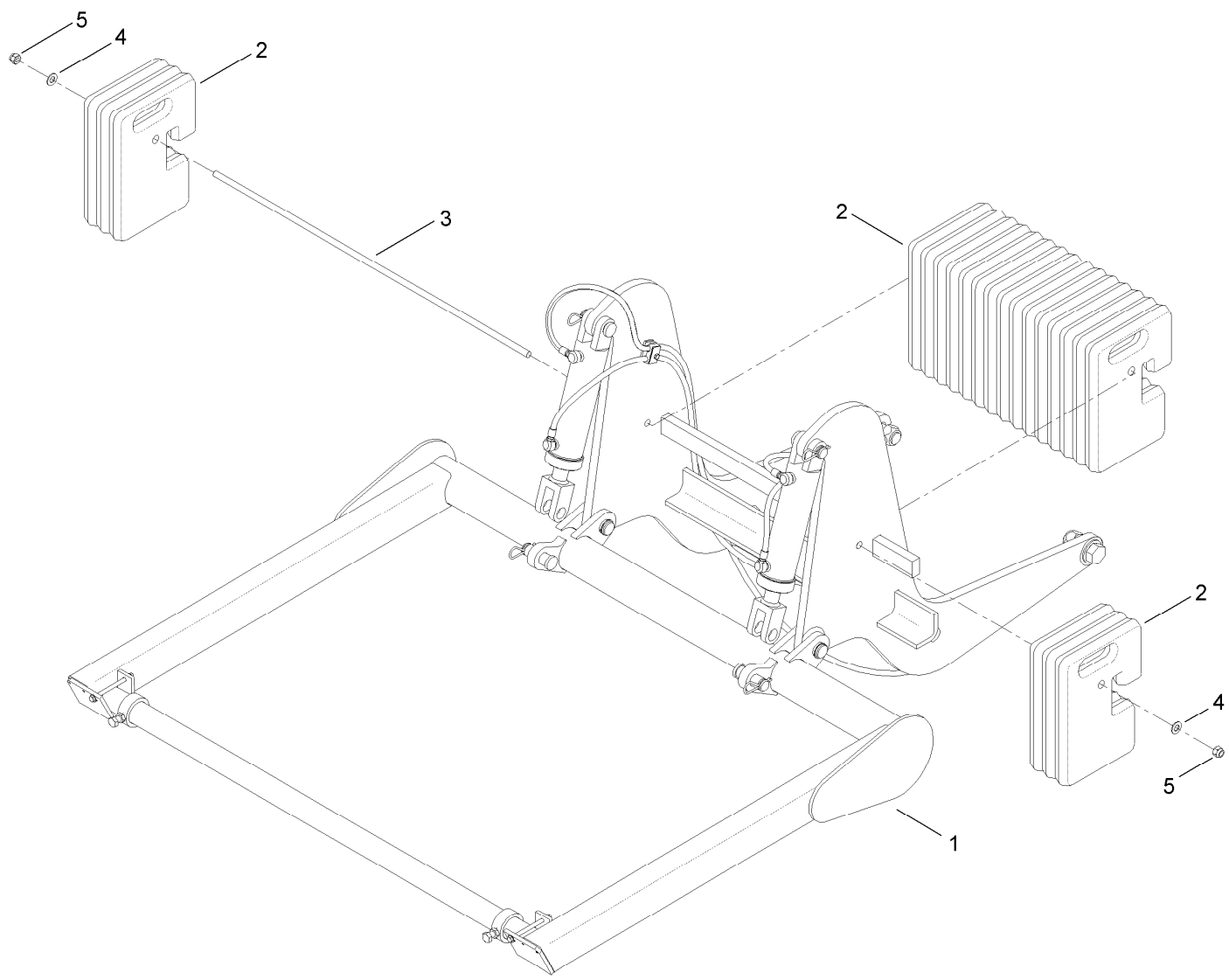
**TAP:** self tapping

**TTH:** torx truss head

# Contents

Counterweight and Reel Carrier Assembly ..... 4  
Reel Carrier Assembly No. AU118760 ..... 6  
Hydraulic Cylinder Assembly No. 127-1798 ..... 8

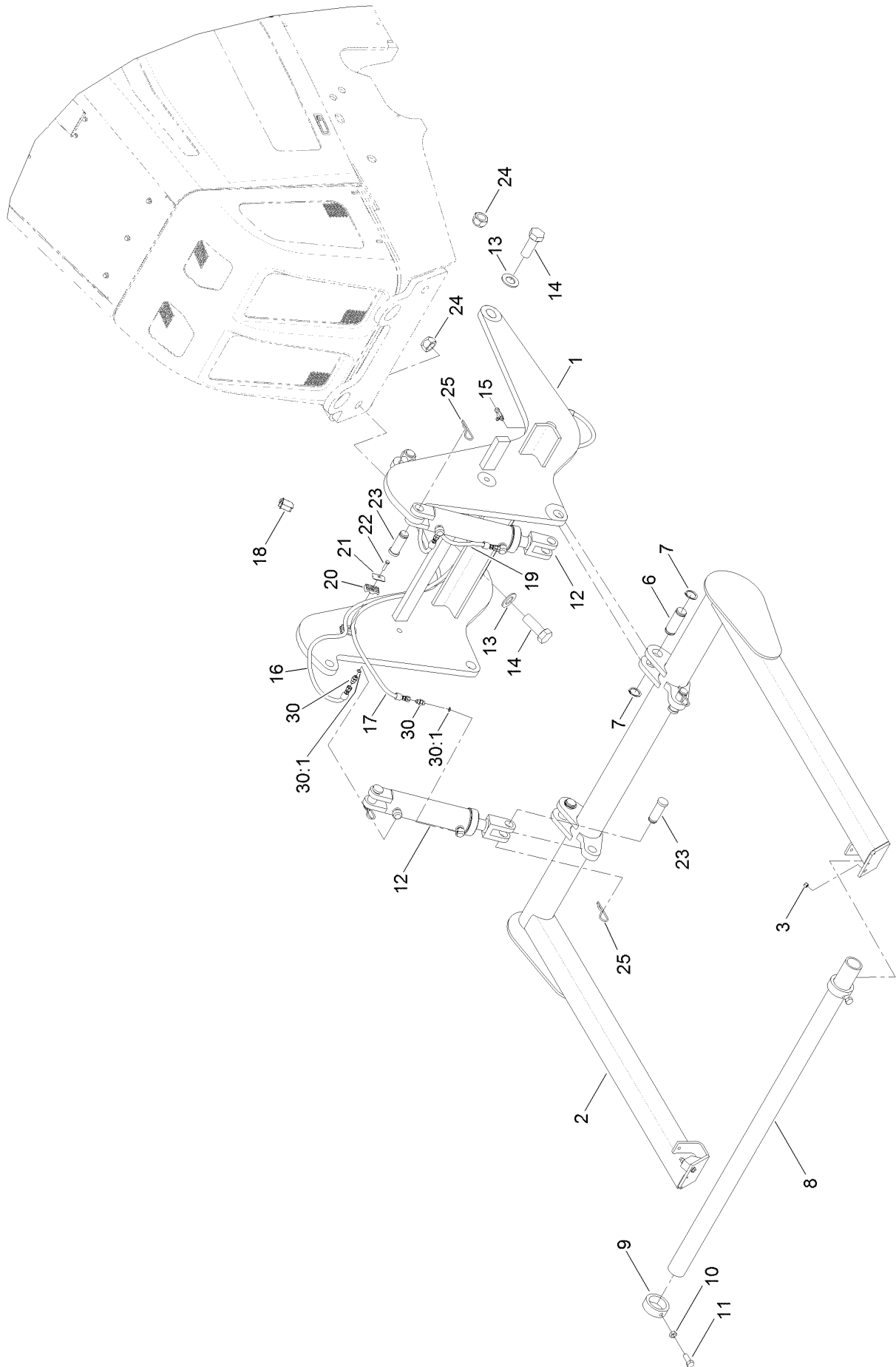
# Counterweight and Reel Carrier Assembly



## Counterweight and Reel Carrier Assembly (continued)

<i>Ref.</i>	<i>Part Number</i>	<i>Qty.</i>	<i>Description</i>	<i>Ref.</i>	<i>Part Number</i>	<i>Qty.</i>	<i>Description</i>
1	AU118760	1	Reel Carrier ASM	4	AU495-11066	2	Washer-Flat
2	AU109364A1	21	Counterweight-60Lb	5	AU232-41110	2	Nut-Lock, Hex
3	AU104279A1	1	Rod-Weight				

# Reel Carrier Assembly No. AU118760

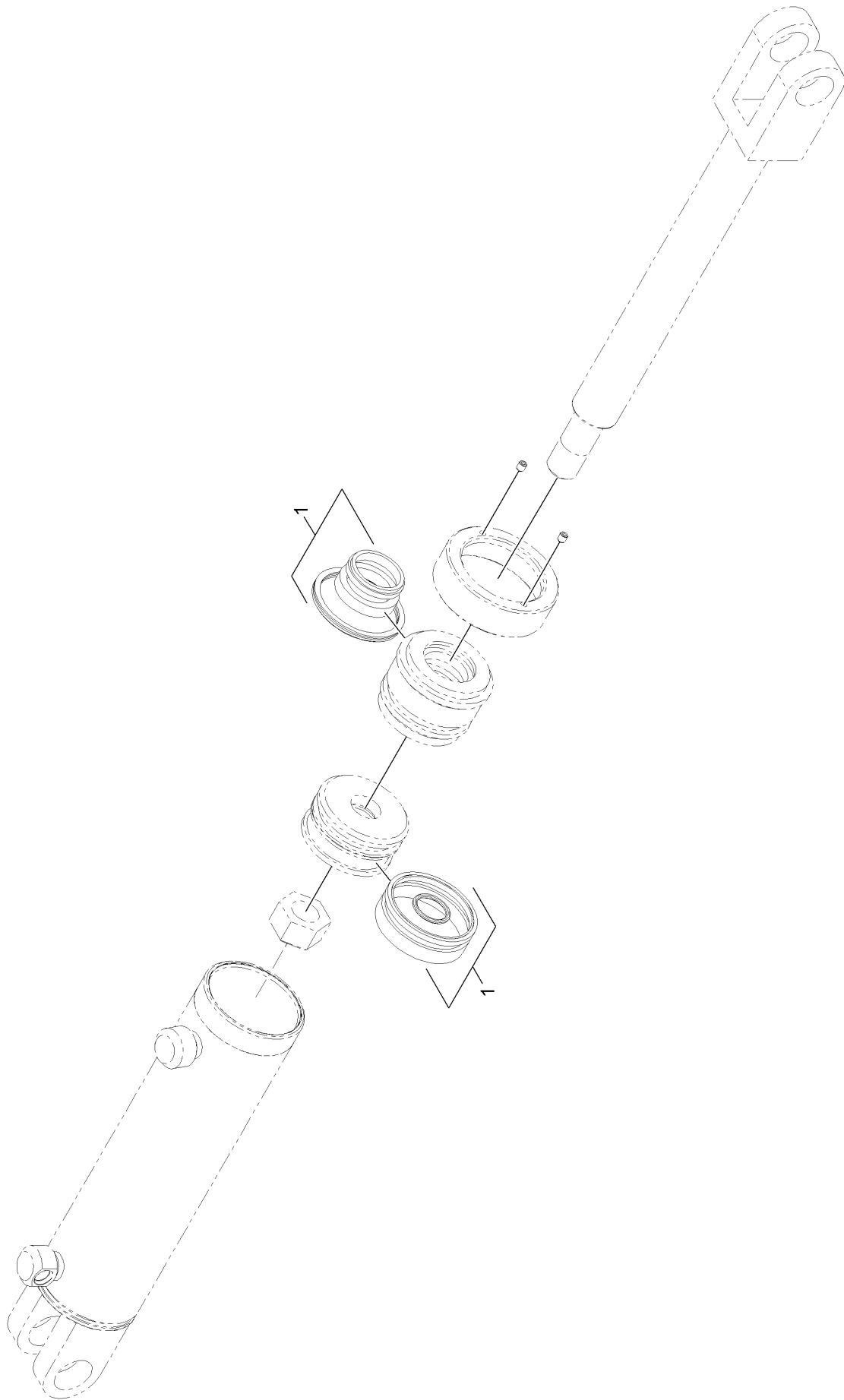


## Reel Carrier Assembly No. AU118760 (continued)

<i>Ref.</i>	<i>Part Number</i>	<i>Qty.</i>	<i>Description</i>	<i>Ref.</i>	<i>Part Number</i>	<i>Qty.</i>	<i>Description</i>
1	AU118758-03	1	Frame-Counterweight	16	130-8415	1	HYD Hose ASM, HP
2	AUH674972-03	1	Arm-Reel Carrier	17	130-8416	1	HYD Hose ASM, HP
3	AU232-4116	2	Nut-Hex	18	AU113664	1	Switch-Rocker, 2 Pole
6	AUH434262	2	Pin	19	130-8414	2	HYD Hose ASM, HP
7	32151-35	4	Ring-Retaining, External	20	56-7971	4	Clamp-Tube
8	AUH434806-03	1	Spindle	21	69-9760	2	Coverplate
9	AUH434807	2	Collar-Reel	22	322-17	2	Screw-HH
10	3218-6	2	Nut-Jam	23	AUN14001	4	Pin-Clevis
11	327-4	2	Screw-HH	24	AU232-41120	4	Nut-Hex
12	127-1798	2	HYD Cylinder ASM	25	AU1978738C1	4	Pin-Cotter, Quick Attach
13	AUH426858	4	Washer	30		4	Fitting-Straight ●
14	AU426-2056	4	Bolt	30:1	237-42	1	O-Ring
15	353-877	2	Fitting-HYD, Tee				

● Not serviced separately

# Hydraulic Cylinder Assembly No. 127-1798



# Hydraulic Cylinder Assembly No. 127-1798 (continued)

<i>Ref.</i>	<i>Part Number</i>	<i>Qty.</i>	<i>Description</i>
1	127-1854	1	Seal Kit

**Notes:**

**Notes:**



**Count on it.**