



CE UPDATE KIT

44" ProLine Mowers Model No. 30144 & 30544

PART NO. 93-9465

INSTALLATION
INSTRUCTIONS

Loose Parts

Note: Use the chart below to identify parts used for assembly.

DESCRIPTION	QTY.	USE
Discharge deflector	1	Install discharge chute extension
Bolt 5/16-18 x 3/4" (19 mm)	2	
Lock nut (thin)	2	
Baffle	1	Install front baffle
Bolt 5/16-18 x 3/4" (19 mm)	7	
Lock nut (thin)	7	
1/4 turn fastener	4	Secure belt cover (Model 30544 only)
Grommet	4	
Bolt 3/8-16 x 3/4" (19 mm)	2	Secure belt cover (Model 30144 only)
Washer	2	

Installing Discharge Chute Extension

1. Position discharge deflector over end of discharge chute (Fig. 1). Overlap end of chute 1 inch.
2. Using discharge deflector as a template drill (2) 9 mm holes in discharge chute
3. Secure discharge chute extension to discharge chute with (2) 5/16 x 19 mm bolts, through from the bottom and thin lock nuts (Fig. 1).

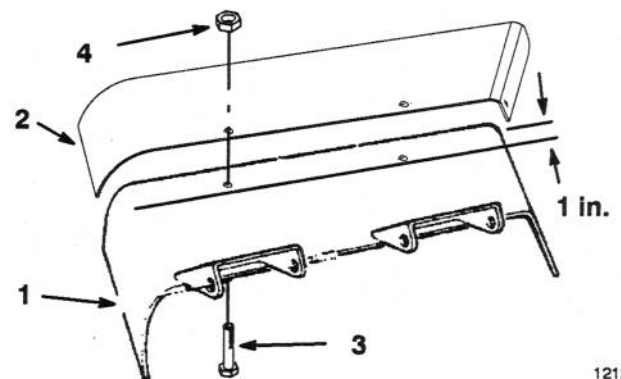


Figure 1

- | | |
|------------------------|--------------------------------|
| 1. Discharge chute | 3. Bolt 5/16-18 x 3/4" (19 mm) |
| 2. Discharge deflector | 4. Lock nut (thin) |

1212

Installing Front Baffle

1. Position front baffle inside mower deck level with left edge of mower (Fig. 2).
2. Using front baffle as a template drill 9 mm holes in mower.
3. Secure front baffle to mower with (7) 5/16 x 19 mm bolts, through from the inside and thin lock nuts (Fig. 2).

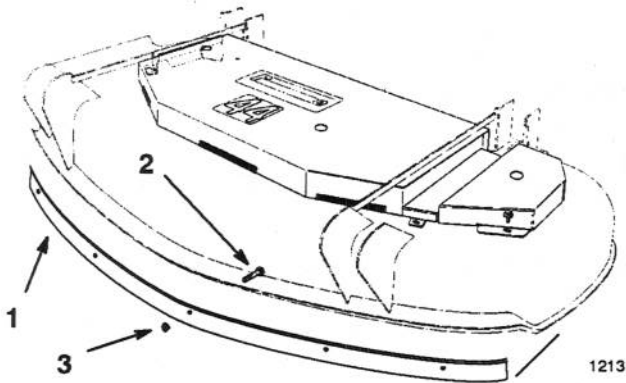


Figure 2

1. Front baffle
2. Bolt 5/16-18 x 3/4" (19 mm)
3. Lock nut (thin)

Replace Cover Knobs – Model 30144 only

1. Remove knobs on belt cover.
2. Secure belt cover to mower with (2) 3/8 x 19 mm bolts and washers (Fig. 2).

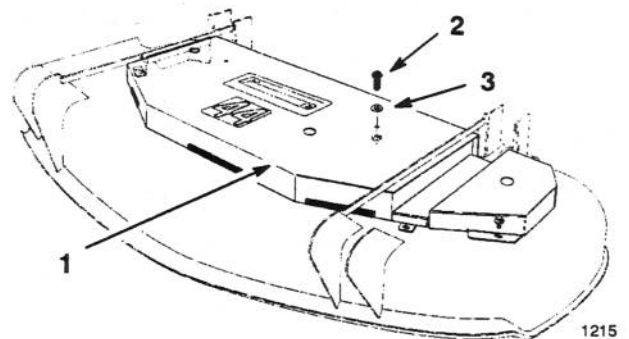


Figure 3

1. Belt cover
2. Bolt 3/8-16 x 3/4" (19 mm)
3. Washer

Replace Cover Knobs – Model 30544 only

1. Remove wing stud fasteners on belt covers.
2. Place grommets below belt cover and insert new slot headed 1/4 turn fastener. Secure belt covers to mower with (4) 1/4 turn fasteners (Fig. 2).

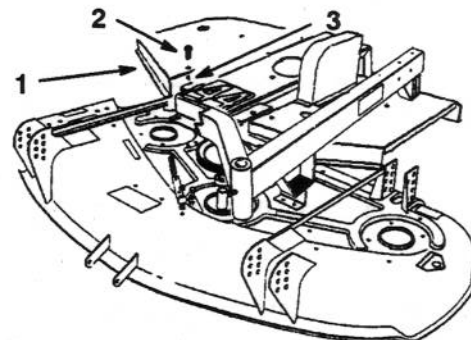


Figure 4

1. Belt cover
2. 1/4 turn fastener
3. Grommet



CE UPDATE KIT

44" ProLine Mowers Model No. 30144 & 30544

PART NO. 93-9465

INSTALLATION
INSTRUCTIONS

Loose Parts

Note: Use the chart below to identify parts used for assembly.

DESCRIPTION	QTY.	USE
Discharge deflector	1	Install discharge chute extension
Bolt 5/16-18 x 3/4" (19 mm)	2	
Lock nut (thin)	2	
Baffle	1	Install front baffle
Bolt 5/16-18 x 3/4" (19 mm)	7	
Lock nut (thin)	7	
1/4 turn fastener	4	Secure belt cover (Model 30544 only)
Grommet	4	
Bolt 3/8-16 x 3/4" (19 mm)	2	Secure belt cover (Model 30144 only)
Washer	2	

Installing Discharge Chute Extension

1. Position discharge deflector over end of discharge chute (Fig. 1). Overlap end of chute 1 inch.
2. Using discharge deflector as a template drill (2) 9 mm holes in discharge chute
3. Secure discharge chute extension to discharge chute with (2) 5/16 x 19 mm bolts, through from the bottom and thin lock nuts (Fig. 1).

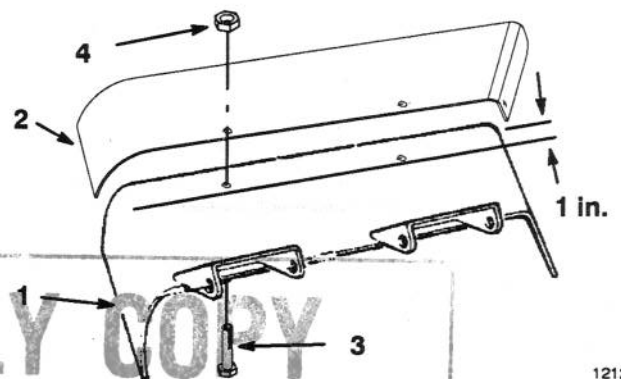


Figure 1

1. Discharge chute
2. Discharge deflector
3. Bolt 5/16-18 x 3/4" (19 mm)
4. Lock nut (thin)

1212

Tech. Publications

Installing Front Baffle

1. Position front baffle inside mower deck level with left edge of mower (Fig. 2).
2. Using front baffle as a template drill 9 mm holes in mower.
3. Secure front baffle to mower with (7) 5/16 x 19 mm bolts, through from the inside and thin lock nuts (Fig. 2).

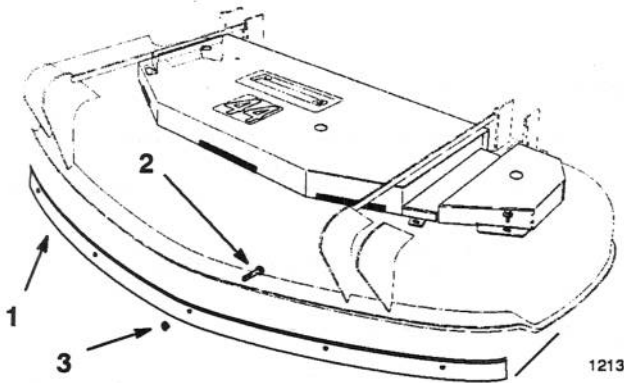


Figure 2

1. Front baffle
2. Bolt 5/16-18 x 3/4" (19 mm)
3. Lock nut (thin)

Replace Cover Knobs - Model 30144 only

1. Remove knobs on belt cover.
2. Secure belt cover to mower with (2) 3/8 x 19 mm bolts and washers (Fig. 2).

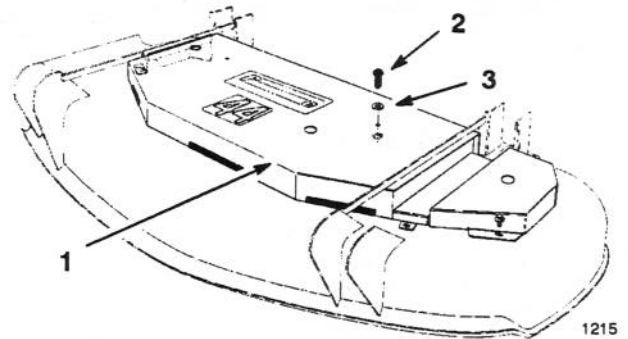


Figure 3

1. Belt cover
2. Bolt 3/8-16 x 3/4" (19 mm)
3. Washer

Replace Cover Knobs - Model 30544 only

1. Remove wing stud fasteners on belt covers.
2. Place grommets below belt cover and insert new slot headed 1/4 turn fastener. Secure belt covers to mower with (4) 1/4 turn fasteners (Fig. 2).

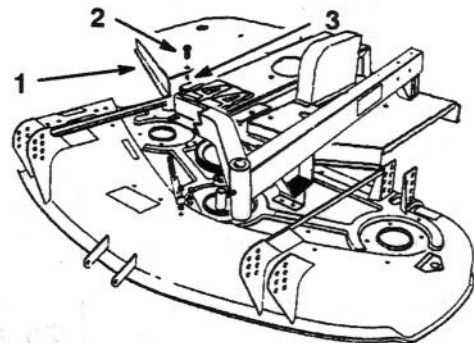


Figure 4

1. Belt cover
2. 1/4 turn fastener
3. Grommet