



CE UPDATE KIT	
52" ProLine Mowers – Model No. 30152 and 30753	
PART NO. 93-9470	INSTALLATION INSTRUCTIONS

Loose Parts

Note: Use the chart below to identify parts used for assembly.

DESCRIPTION	QTY.	USE
Baffle	1	
Carriage bolt 5/16-18 x 3/4" (19mm)	5	Install front deflector
Lock nut 5/16" thin	5	
Retainer	3	Install latch retainer (for PL 120 Mower Model 30152 Only)
Bolt 1/4-20 x 1-1/4" (32mm)	3	
Lock nut 1/4"	3	
Bolt 3/8-16 x 3/4" (19mm)	2	Secure cover (for Mid-Size Mower Model 30753 Only)
Washer 3/8"	2	
Decal package	1	Install over existing decals

Install Front Baffle

1. Locate baffle inside front of mower, so left end fits into curved edge and bottom edge is 19 mm (3/4") below front lip of deck. Using baffle as a guide, mark and drill (5) 9 mm holes in front of mower as shown (Fig. 1).
2. Install front baffle inside mower with 5/16 bolts, from the inside and secure with 5/16 thin lock nuts (Fig. 1).

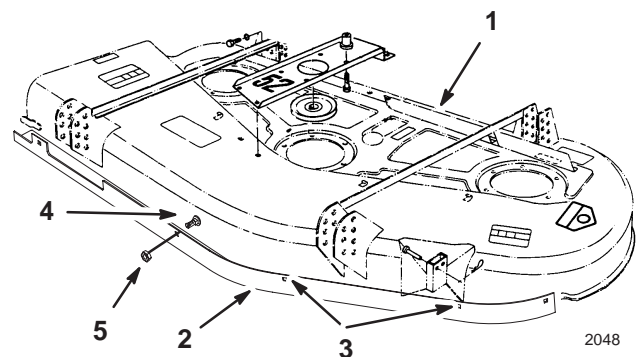


Figure 1

- | | |
|--------------------|--|
| 1. 52" mower | 4. Carriage bolt 5/16-18 x 3/4" (19mm) |
| 2. Front baffle | 5. Lock nut 5/16" thin |
| 3. Drill 8 mm hole | |

Install Deck Latch Retainers (for Mower Model 30152 only)

1. Unhook latches securing right and left belt covers to top of deck. (Fig. 2).
2. Remove (2) screws and nuts securing deck latch to cover (Fig. 2). Only one latch per cover must be removed..
3. Insert a retainer between latch and cover as shown (Fig. 2).
4. Install retainer and latch to cover with screws and nuts previously removed.
5. Install cover and secure latch.
6. Install a 1/4 x 32 mm bolt thru ears of retainer and secure with 1/4 locknut to lock latch (Fig. 2).

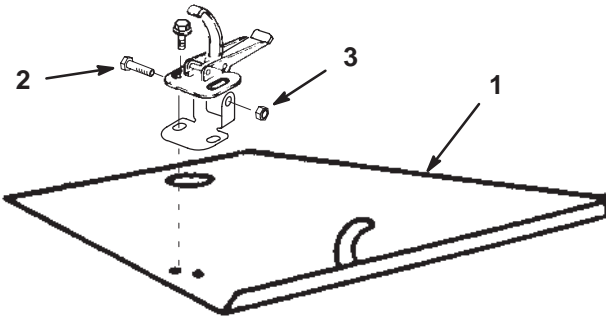


Figure 2

1. Belt cover
2. Bolt 1/4-20 x 1-1/4" (32 mm)
3. Lock nut 1/4"

Secure Belt Cover (for Mower Model 30753 only)

1. Secure center and left belt covers to mower with washer and 3/8 x 19 mm bolt (Fig. 3).

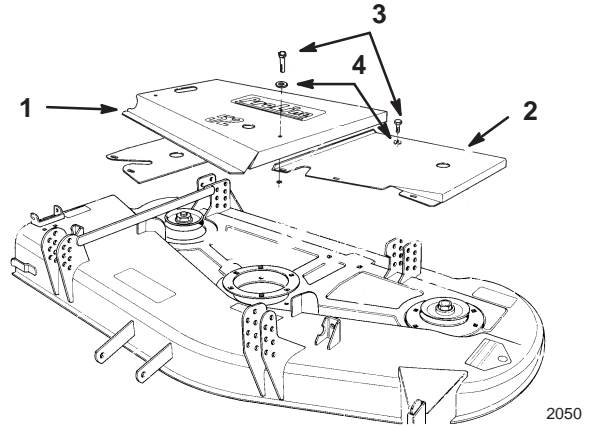


Figure 3

1. Center belt cover
2. Left belt cover
3. Bolt 3/8-16 x 3/4" (19 mm)
4. Washer