



Insight[®] Gold Lawn Mower

Model No. 10672—Serial No. 280000001 and Up

Parts Catalog



Ordering Replacement Parts

To order replacement parts, please supply the part number, the quantity, and the description of each part desired.

Understanding Reference Numbers

Each identified part in an illustration has a reference number. The reference number for a part also appears in the parts list, along with other information about the part.

This catalog uses two special reference number formats, one to indicate parts in a service assembly and another to indicate the quantity of a given part in an illustration.

Service Assembly Reference Numbers

Parts in service assemblies have reference numbers in the form a:b. The a represents the reference number of the entire service assembly and the b represents a sequential number unique to each part within the service assembly.

For example, a wheel assembly might be identified by reference number 6, the tire by 6:1, the valve by 6:2, and the wheel by 6:3. When you order the assembly identified by reference number 6, you receive all parts identified by reference numbers 6:1, 6:2, and 6:3. However, you may also order any part individually. Reference numbers of this type appear in illustration and in parts lists.

Reference Numbers Indicating Quantity

In an illustration, if a reference number indicates more than one part, the reference number has the form nX y. The n represents the quantity of the part, the X is the multiplication symbol, and the y represents the reference number.

For example, in an illustration, the reference number 2X 37 means that two of the parts identified by reference number 37 are indicated.

List of Abbreviations

AR: as required

ASM: assembly

BBC: blade brake control

BHTF: button head thread forming

CARR: carriage

CCW: counter clockwise

CW: clockwise

DEG: degrees

DPA: Dual Point Adjustment

ECM: electronic control module

EXT: external

FH: flat head

GA: gauge

HD: heavy-duty

HF: hex flange

HH: hex head

HHF: hex head flange

HHFTF: hex head flange thread forming

HJ: hex jam

HLH: hex lag head

HOC: height-of-cut

HP: high pressure

HSBH: hex socket button head

HSFH: hex socket flat head

HSH: hex socket head

HWH: hex washer head

HWHTF: hex washer head thread forming

HYD: hydraulic

LH: left hand

LP: low pressure

LPG: Liquefied Petroleum Gas

NI: nylon insert

NPTF: national pipe thread fine

PFH: phillips flat head

PPH: phillips pan head

PPHTF: phillips pan head thread forming

PRH: phillips round head

PTH: phillips truss head

PTO: power-take-off

RH: right hand

ROPS: roll-over protection system

RRB: rear roller brush

SFH: slotted fillister head

SHH: slotted hex head

SHWH: slotted hex washer head

SPH: slotted pan head

SQH: square head

SRH: slotted round head

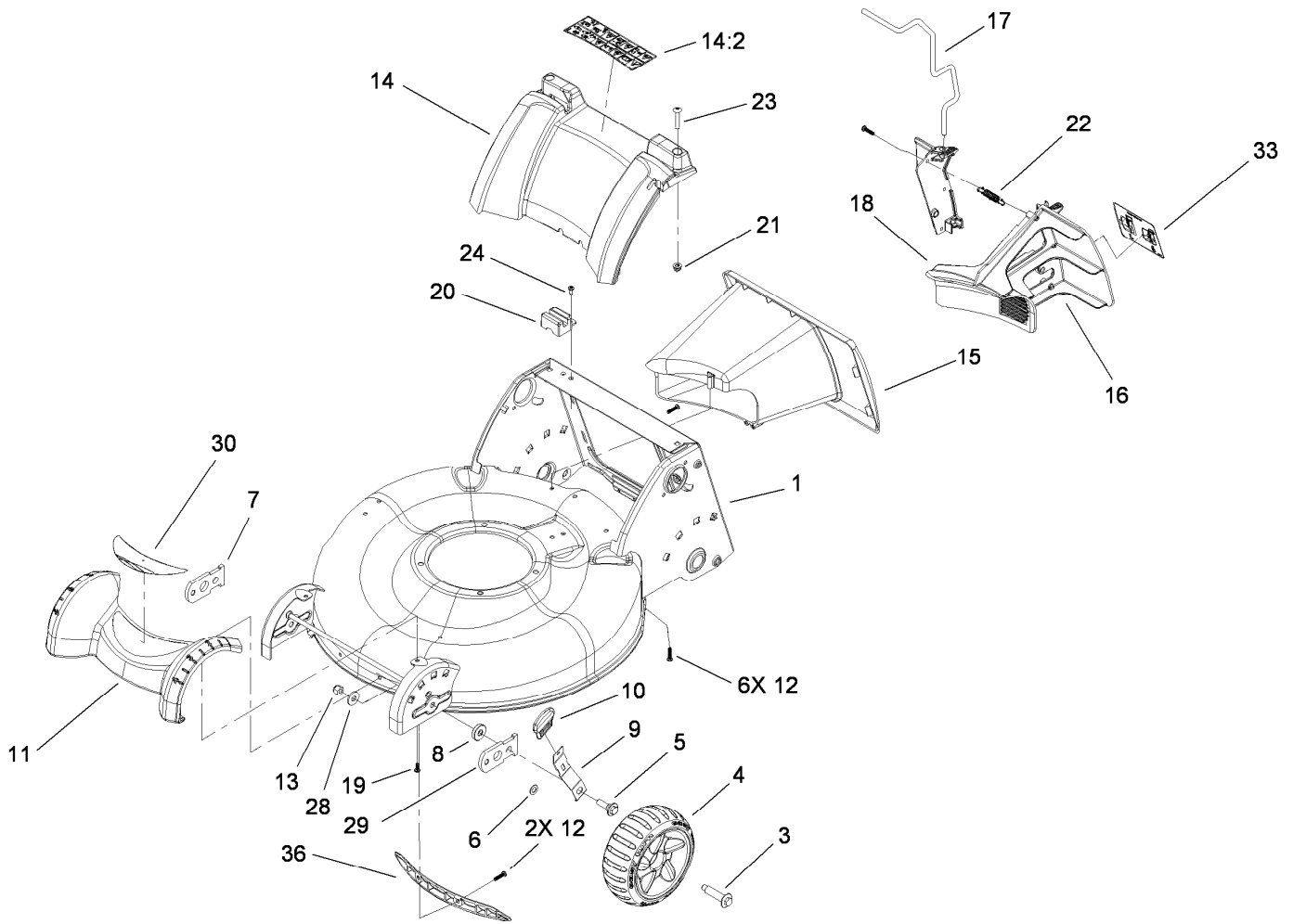
STD: standard

TAP: self tapping

TTH: torx truss head

Contents

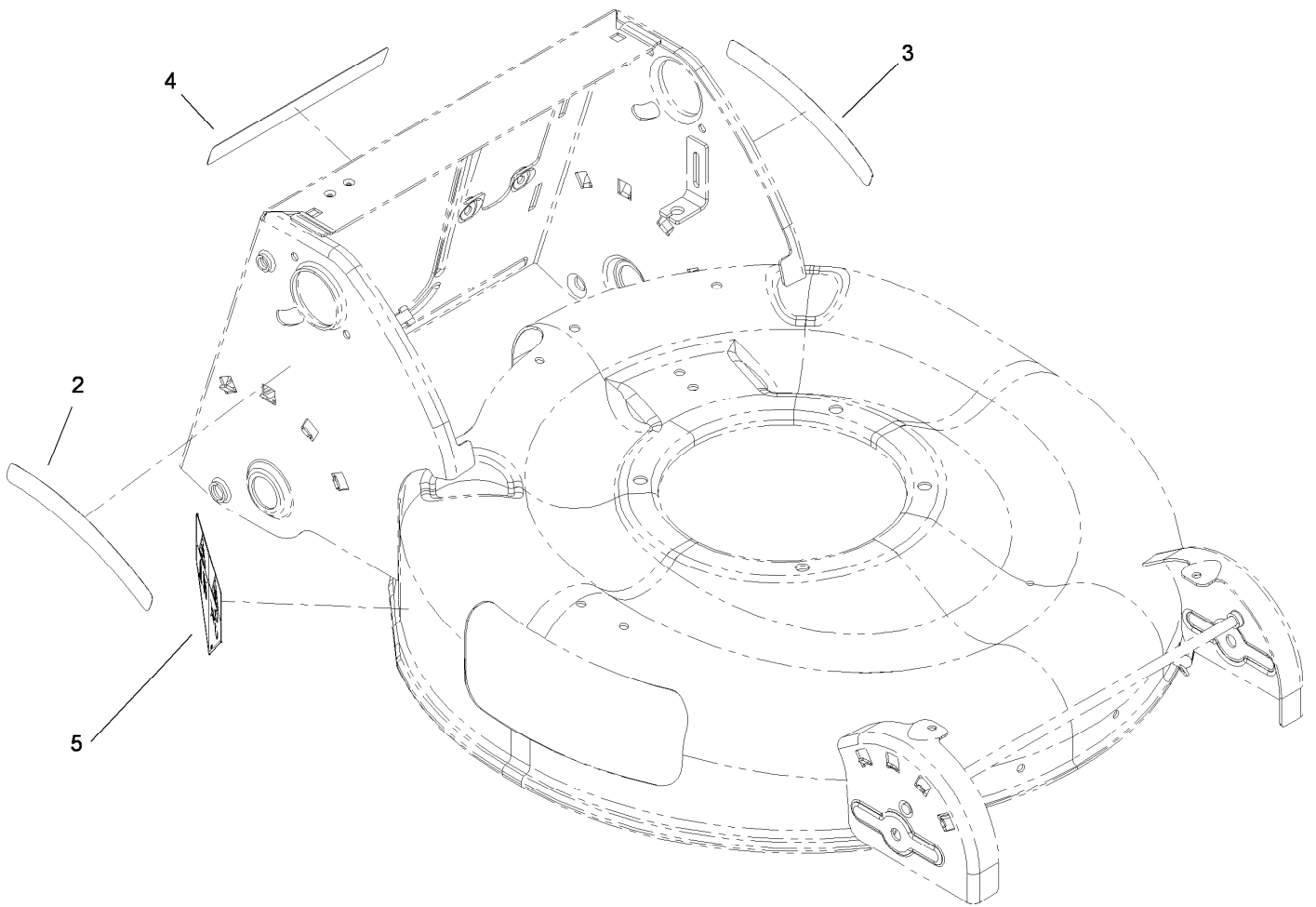
Front End and Tunnel Assembly	4
Housing Assembly No. 114-2825	5
Rear Axle and Transmission Assembly	6
Upper Handle Assembly	7
Lower Handle Assembly	8
Blade and Engine Assembly	9
Rear Bag Assembly	10
Cylinder Barrel Assembly Honda GCV160A STL1	11
Oil Pan Assembly Honda GCV160A STL1	12
Crankshaft Assembly Honda GCV160A STL1	13
Piston and Connecting Rod Assembly Honda GCV160A STL1	14
Camshaft Pulley Assembly Honda GCV160A STL1	15
Recoil Starter Assembly Honda GCV160A STL1	16
Fan Cover Assembly Honda GCV160A STL1	17
Carburetor Assembly Honda GCV160A STL1	18
Air Cleaner Assembly Honda GCV160A STL1	19
Muffler Assembly Honda GCV160A STL1	20
Flywheel Assembly Honda GCV160A STL1	21
Control Assembly Honda GCV160A STL1	22
Choke Base Assembly Honda GCV160A STL1	23
Top Cover Assembly Honda GCV160A STL1	24
Label Assembly Honda GCV160A STL1	25
Attachments and Accessories	26



Front End and Tunnel Assembly

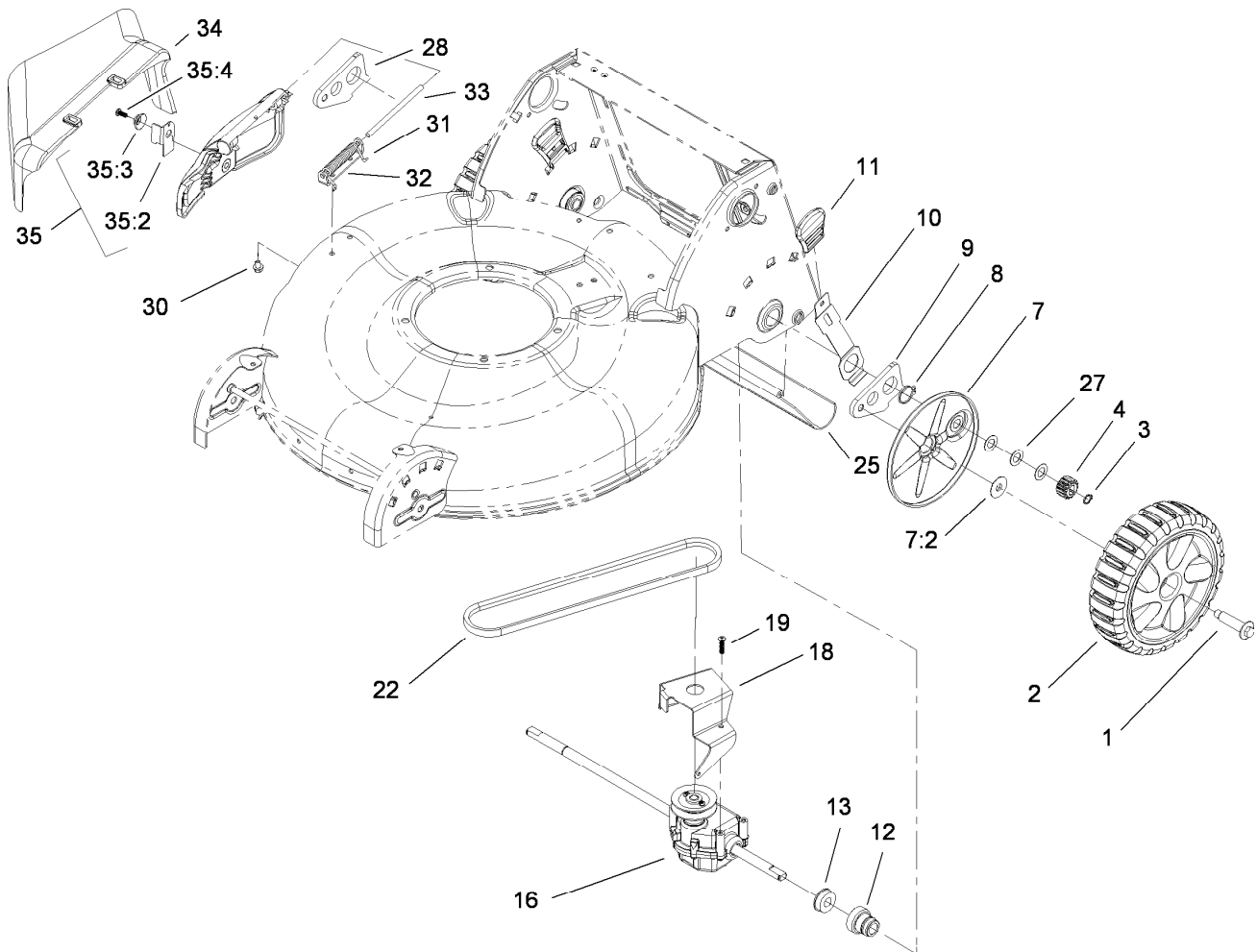
Ref.	Part Number	Qty.	Description	Ref.	Part Number	Qty.	Description
1	114-2804	1	Housing ASM	16	110-9446	1	Plug-Mulch, LH
3	614650	2	Bolt-Shoulder	17	110-9448	1	Latch-Plug, Mulch
4	112-1548	2	7 Inch Front Wheel ASM	18	110-9447	1	Plug-Mulch, RH
5	614672	2	Bolt-Shoulder	19	108-7475	2	Screw-Plastite
6	40-1940	2	Washer	20	108-0967	1	Module-Switch
7	107-3877	1	Arm-Pivot, RH	21	94-1610	2	Nut-Clip
8	92-4890	2	Washer	22	110-9458	1	Spring-Extension
9	107-3878	2	Arm-Spring	23	108-0965	2	Screw-PTH
10	110-0549	2	Knob-HOC	24	105-6849	2	Screw-Thread Forming
11	107-3926	1	Cover-Front	28	80-6990	2	Washer-Hardened
12	108-7476	8	Screw-Plastite	29	108-1044	1	Arm-Pivot, LH
13	3296-39	2	Nut-Lock, NI	30	108-7453	1	Decal-Logo
14	115-3177	1	Rear Cover ASM	33	110-9457	1	Decal-Plug, Mulch
14:2	114-2820	1	Decal-Warning	36	108-7502	1	Insert-Housing
15	110-9455	1	Tunnel	39	110-9468	1	Mulch Plug ASM ●

● Not illustrated



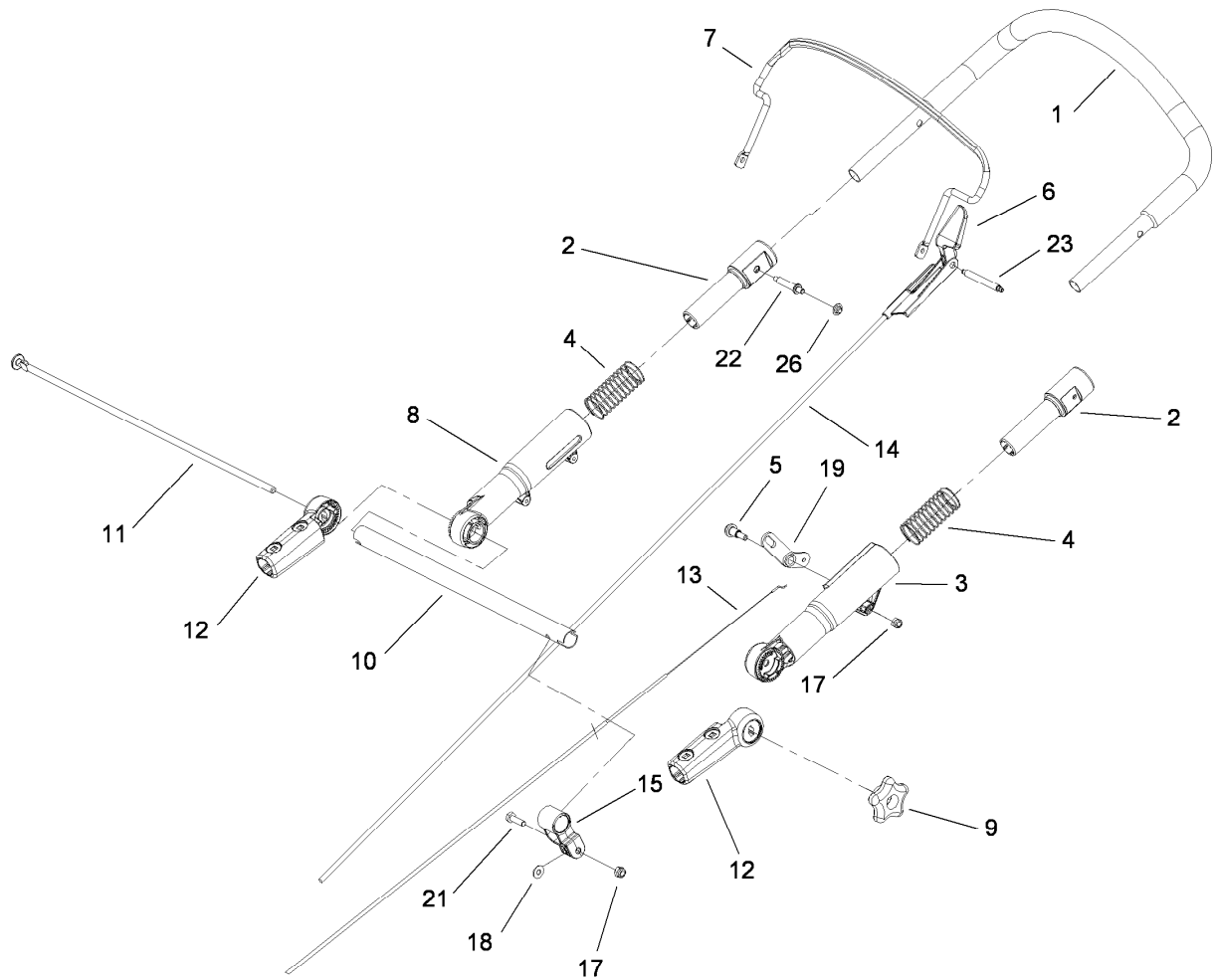
Housing Assembly No. 114-2825

<i>Ref.</i>	<i>Part Number</i>	<i>Qty.</i>	<i>Description</i>
2	94-8072	1	Decal-Danger
3	108-7450	1	Decal-HOC, RH
4	108-7451	1	Decal-HOC, LH
5	107-3889	1	Decal-Safety



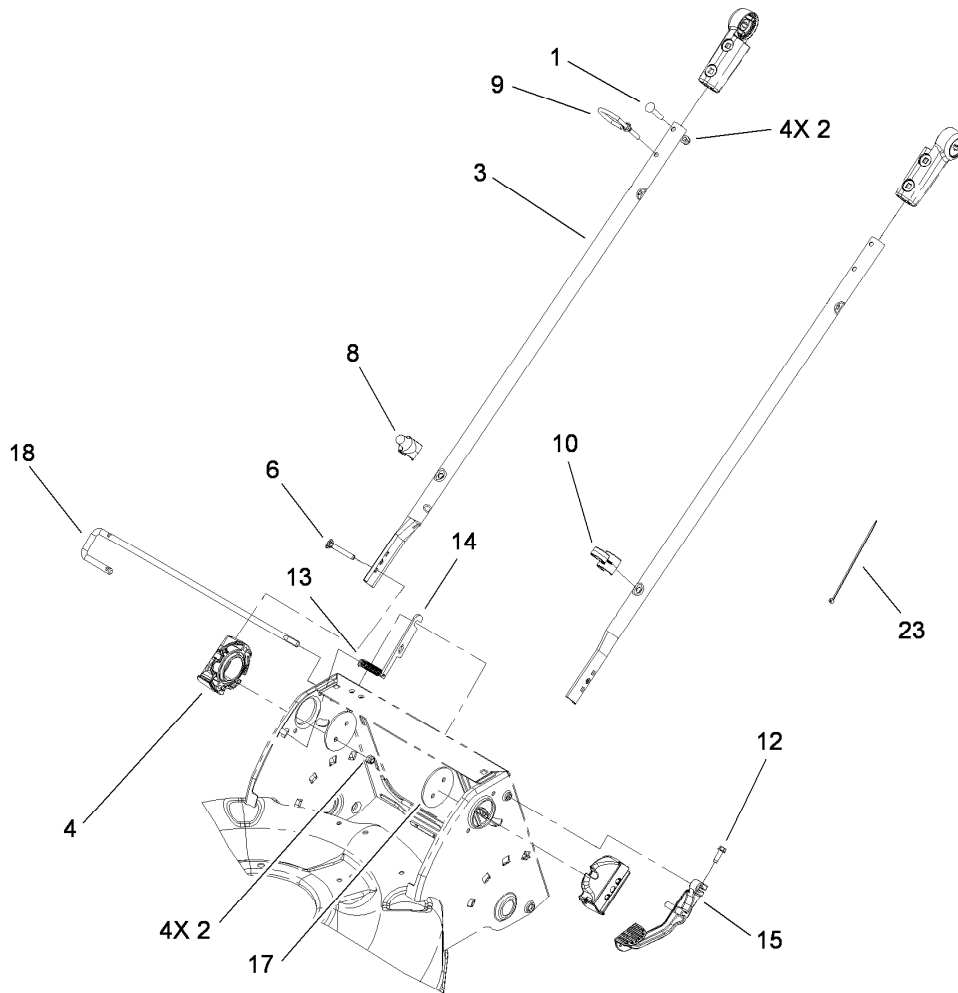
Rear Axle and Transmission Assembly

<i>Ref.</i>	<i>Part Number</i>	<i>Qty.</i>	<i>Description</i>	<i>Ref.</i>	<i>Part Number</i>	<i>Qty.</i>	<i>Description</i>
1	614650	2	Bolt-Shoulder	19	108-7476	3	Screw-Plastite
2	107-3906	2	Rear Wheel ASM	22	110-9429	1	V-Belt
3	32151-61	2	Ring-Retaining	25	112-8768	1	Shield-Trailing
4	110-9417	2	Gear-Pinion, 15T	27	36-4780	3	Washer-Plain
7	110-1793	2	Wheel Cover ASM	28	108-9343	1	Arm-Rear Pivot, RH
7:2	614426	1	Washer-Stepped	30	99-8445	2	Screw-HWH
8	32151-36	2	Ring-Retaining	31	99-5293	1	Spring-Torsion
9	108-9344	1	Arm-Rear Pivot, LH	32	112-6416	1	Bracket-Cover
10	110-9445	2	Arm-Spring, Rear	33	99-5291	1	Rod-Cover
11	110-0549	2	Knob-HOC	34	105-3028	1	Chute-Discharge, Side
12	104-8698	2	Retainer-Bearing, HOC	35	106-8376	1	Discharge Door ASM
13	104-8699	2	Bearing-Ball	35:2	107-0795	1	Latch-Door
16	110-9414	1	Transmission ASM	35:3	107-7456	1	Cap-Door
18	114-7977-03	1	Bracket-Transmission	35:4	107-7461	1	Screw-Plastite



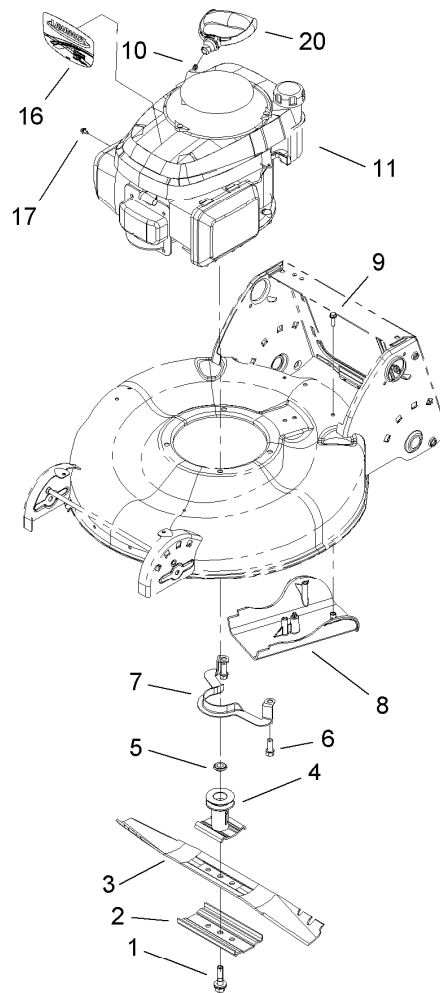
Upper Handle Assembly

<i>Ref.</i>	<i>Part Number</i>	<i>Qty.</i>	<i>Description</i>
1	108-0974	1	Upper Handle ASM
2	112-8754	2	Sleeve-Inner
3	112-1544	1	Sleeve-Outer, LH
4	107-3869	2	Spring-Compression
5	104-0858	1	Bolt-Shoulder
6	112-8764	1	Stop-Pivot
7	110-1819-03	1	Bail-Brake
8	112-1545	1	Sleeve-Outer, RH
9	107-3937	1	Knob
10	107-3867-03	1	Tube-Cross
11	107-3871	1	Rod-Threaded
12	107-3865	2	Mount-Handle, Lower
13	107-3902	1	Cable-Traction
14	107-3903	1	Cable-Brake
15	112-8801	1	Clamp-Cable
17	3296-73	2	Nut-Lock, NI
18	3256-1	1	Washer-Flat
19	107-3893	1	Lever-Traction
21	321-5	1	Screw-HH
22	108-0959	1	Pin-Handle
23	108-1008	1	Pin-Bail, LH
26	108-9378	1	Retainer-Push On



Lower Handle Assembly

<i>Ref.</i>	<i>Part Number</i>	<i>Qty.</i>	<i>Description</i>
1	108-0988	3	Screw-CARR
2	3296-73	8	Nut-Lock, NI
3	107-3887-03	2	Tube-Lower
4	114-2791	2	Mount-Handle, Lower
6	95-4453	4	Screw
8	108-0994	1	Guide-Rope, Lower
9	107-3908	1	Guide-Rope, Upper
10	106-6805	1	Guide-Cable
12	49-2040	1	Screw-HWHTF
13	112-1542	1	Spring-Extension
14	112-1539	1	Plate-Rod, Release
15	110-1823-03	1	Lever-Release
17	107-3944-03	2	Plate
18	112-8755	1	Rod-Release, Handle
23	614249	1	Tie-Cable

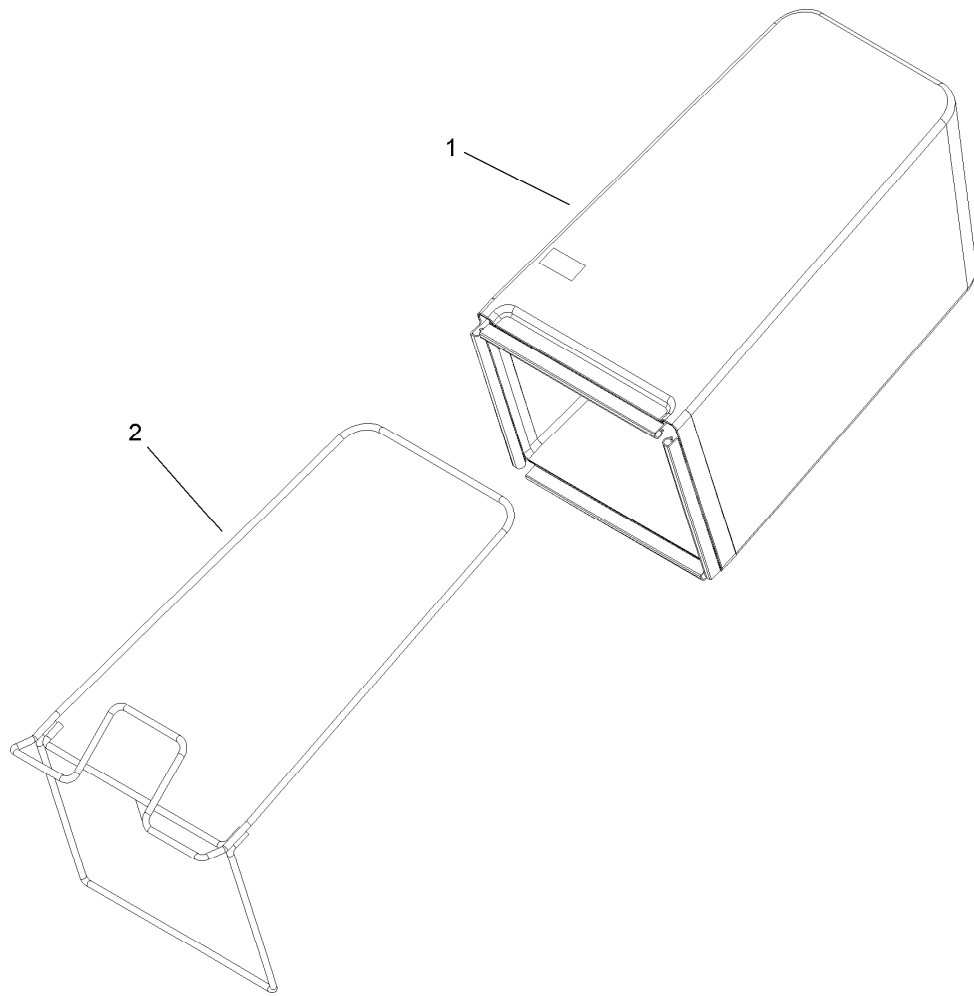


Blade and Engine Assembly

<i>Ref.</i>	<i>Part Number</i>	<i>Qty.</i>	<i>Description</i>
1	105-8579	1	Bolt-Blade
2	108-3766-03	1	Support-Blade
3	108-0954-03	1	Blade-21 Inch
4	106-3987	1	Driver-Blade
5	106-3999	1	Spacer-Driver
6	92-1624	3	Screw-HWH
7	105-3030-03	1	Guide-Belt
8	110-1832	1	Cover-Belt
9	46-8091	3	Screw-HWH
10	92-1701	1	Stop-Rope
11		1	Engine-Honda, Gcv160A Stl1 ● ■
16	108-7529	1	Decal
17	98-1394	1	Screw-HWH
20	110-1778	1	Handle-Recoil

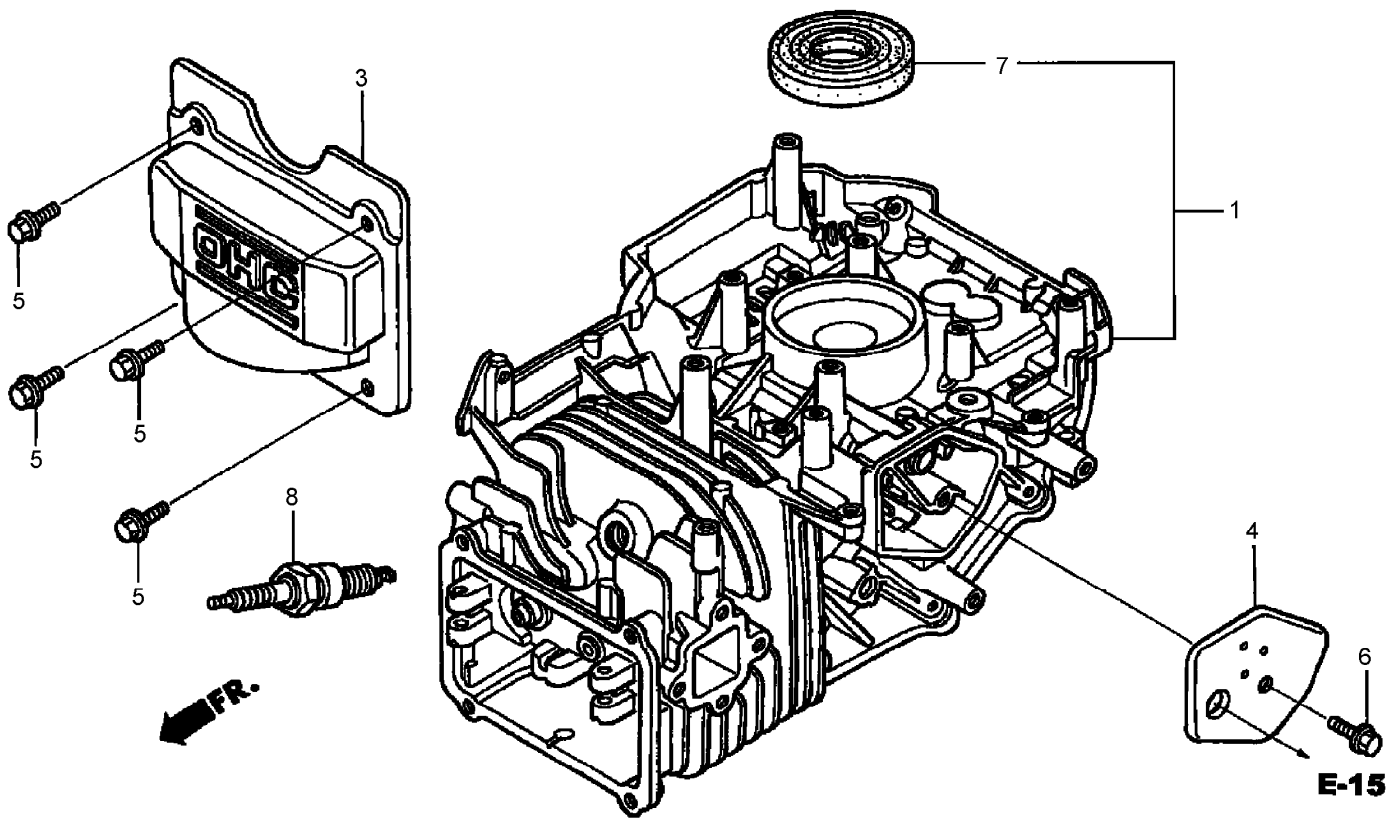
● Not serviced separately

■ Obtain parts from www.honda-engines.com



Rear Bag Assembly

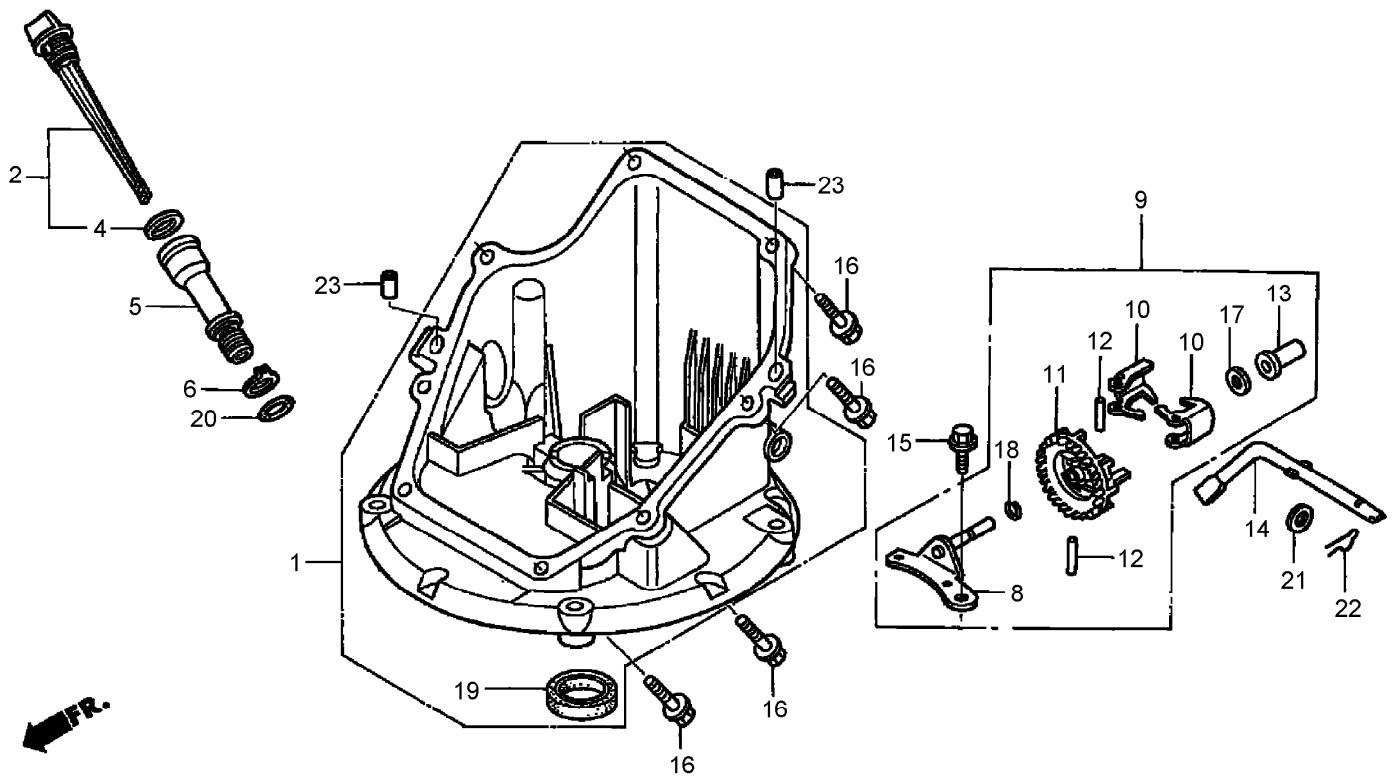
<i>Ref.</i>	<i>Part Number</i>	<i>Qty.</i>	<i>Description</i>
1	107-3911	1	Bag-Grass
2	112-8750-03	1	Frame-Bag



Cylinder Barrel Assembly Honda GCV160A STL1

Ref.	Part Number	Qty.	Description
1	12000-ZL8-415	1	Cylinder ASM (010) ●
3	12311-ZL8-000	1	Cover-Head ●
4	12355-ZL8-000	1	Cover-Breather (Breather Valve ASM) ●
5	90013-883-000	4	Bolt-Flange (6X12) (C T200) ●
6	90014-952-000	1	Bolt-Flange (6X14) (C T200) ●
7	91201-ZL8-003	1	Seal (25.4X62X6) ●
8	98079-56846	1	Spark Plug (B P R 6E S) (N G K) ●

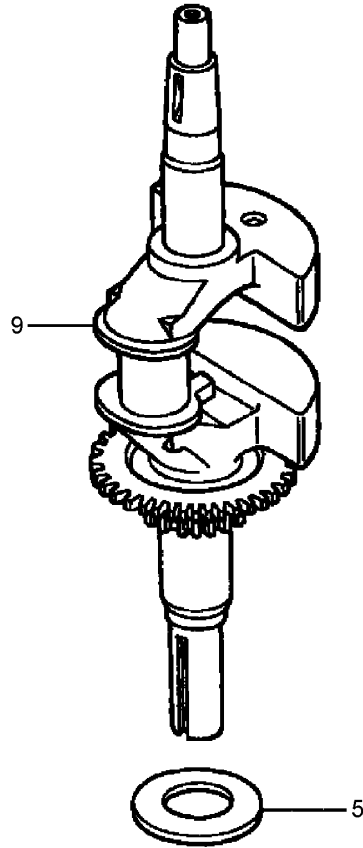
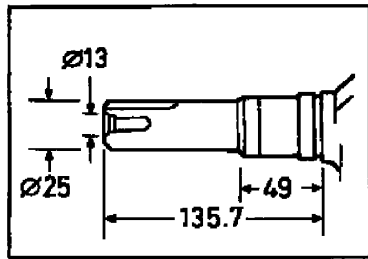
● Obtain parts from www.honda-engines.com



Oil Pan Assembly Honda GCV160A STL1

Ref.	Part Number	Qty.	Description
1	11300-ZM0-405	1	Oil Pan ASM (000) ●
2	15650-ZM0-801	1	Oil Level Gauge ASM ●
4	15625-ZE6-000	1	Gasket-Cap, Oil Filler ●
5	15631-ZM0-000	1	Extension-Filler, Oil ●
6	15639-ZM0-000	1	Washer-Lock, Extension ●
8	16508-ZM0-010	1	Shaft-Holder, Governor ●
9	16510-ZM0-010	1	Governor ASM ●
10	16511-ZL8-000	2	Weight-Governor ●
11	16512-ZM0-000	1	Holder-Weight, Governor ●
12	16513-ZE1-000	2	Pin-Weight, Governor ●
13	16531-ZE1-000	1	Slider-Governor ●
14	16541-ZM0-000	1	Shaft-Arm, Governor ●
15	90014-952-000	1	Bolt-Flange (6X14) (C T200) ●
16	90121-952-000	8	Bolt-Flange (6X25) (C T 200) ●
17	90451-ZE1-000	1	Washer-Thrust (6Mm) ●
18	90602-ZE1-000	1	Clip-Holder, Governor ●
19	91202-ZL8-003	1	Seal-Oil (28X41.25X6) ●
20	91303-KF0-003	1	O-Ring (14.8X2.4) (Arai) ●
20	91356-MA6-005	1	O-Ring (14.8X24) (N O K) ●
21	94101-06800	1	Washer-Plain (6Mm) ●
22	94251-08000	1	Pin-Lock (8Mm) ●
23	94301-08200	2	Pin-Dowel (8X20) ●

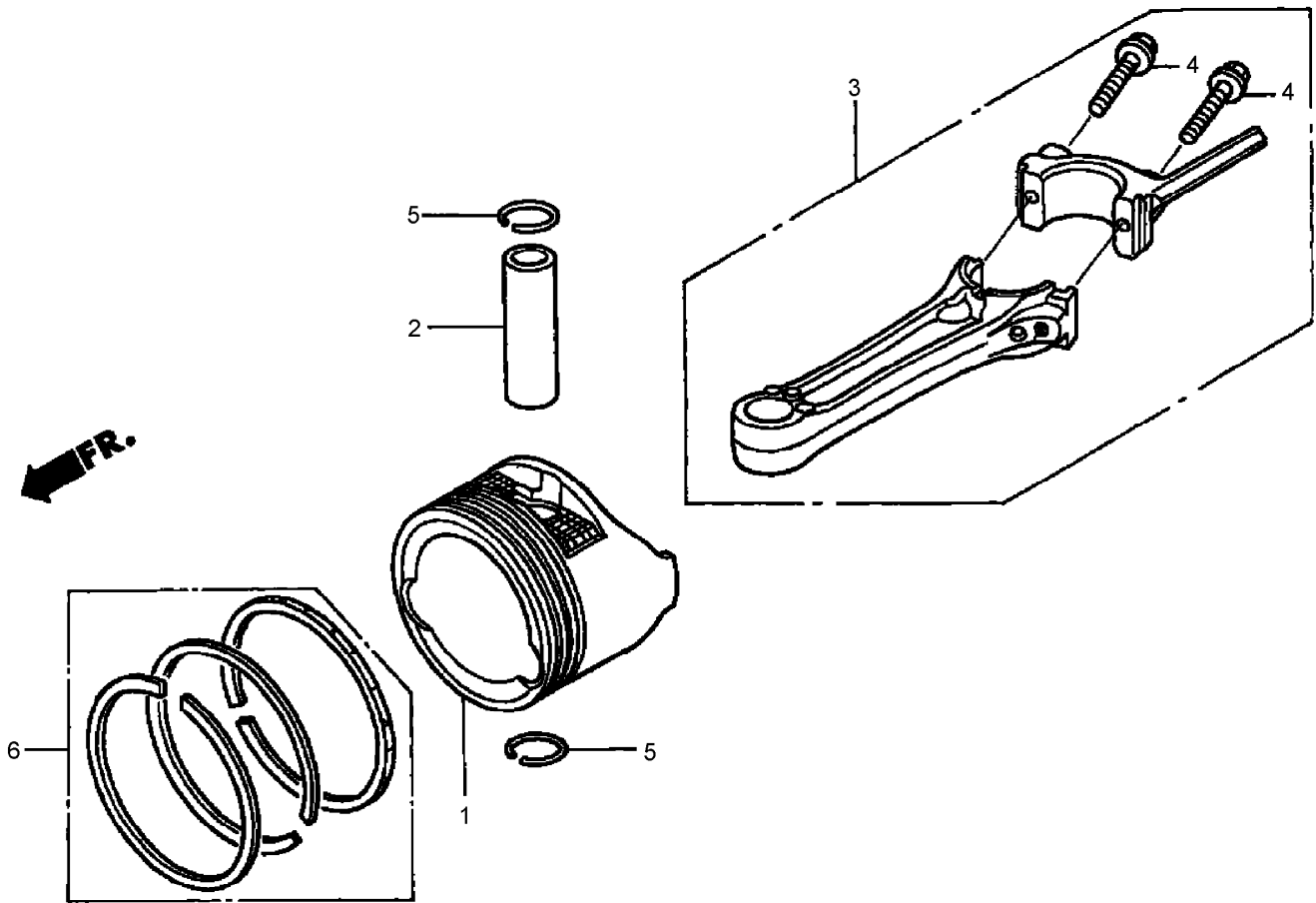
● Obtain parts from www.honda-engines.com



Crankshaft Assembly Honda GCV160A STL1

Ref.	Part Number	Qty.	Description
5	90402-ZL8-000	1	Washer-Thrust ●
9	13310-Z0L-V70	1	Crankshaft ●

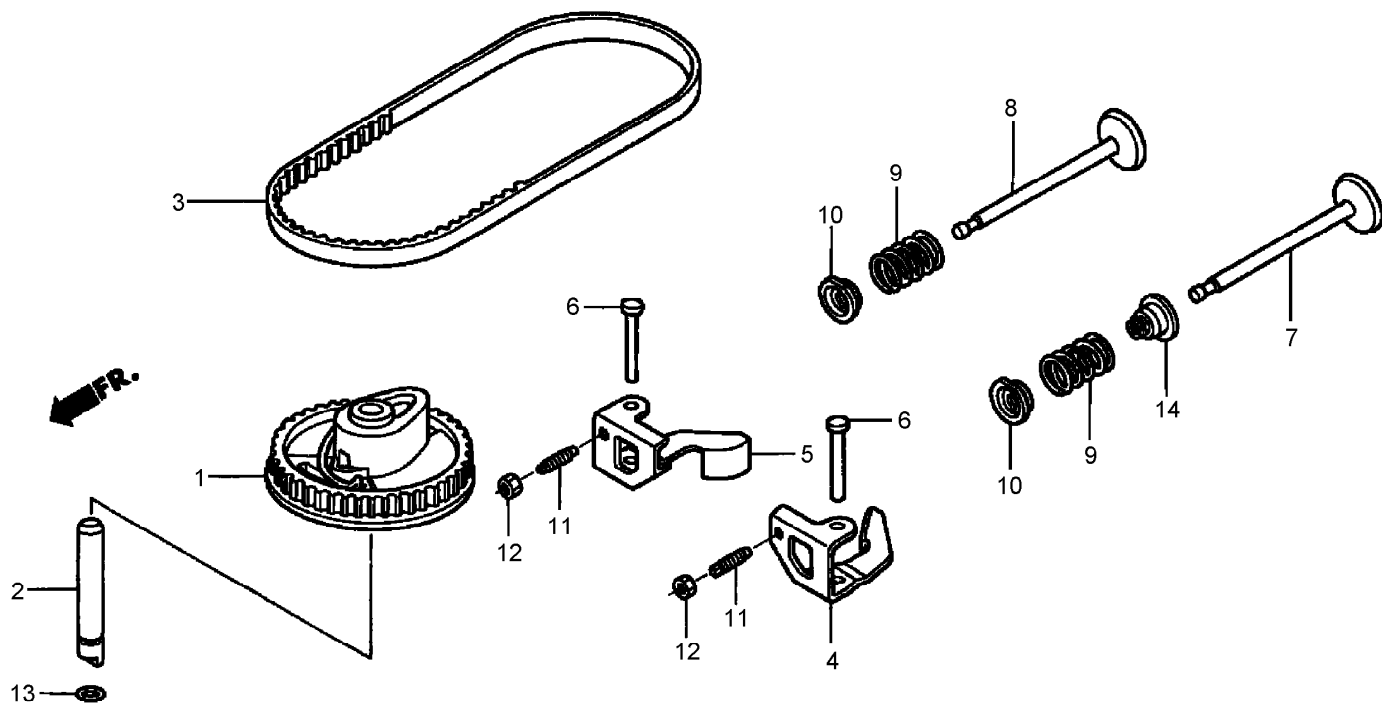
● Obtain parts from www.honda-engines.com



Piston and Connecting Rod Assembly Honda GCV160A STL1

<i>Ref.</i>	<i>Part Number</i>	<i>Qty.</i>	<i>Description</i>
1	13101-ZL8-000	1	Piston ●
2	13111-ZE0-000	1	Pin-Piston ●
3	13200-ZL8-000	1	Connecting Rod ASM ●
4	90001-ZE1-000	2	Bolt-Rod, Connecting ●
5	90551-ZE0-000	2	Clip-Pin, Piston (13Mm) ●
6	13010-ZL8-003	1	Ring Set-Piston (Riken) ●
6	13010-ZL8-024	1	Ring Set-Piston (Teikoku) ●

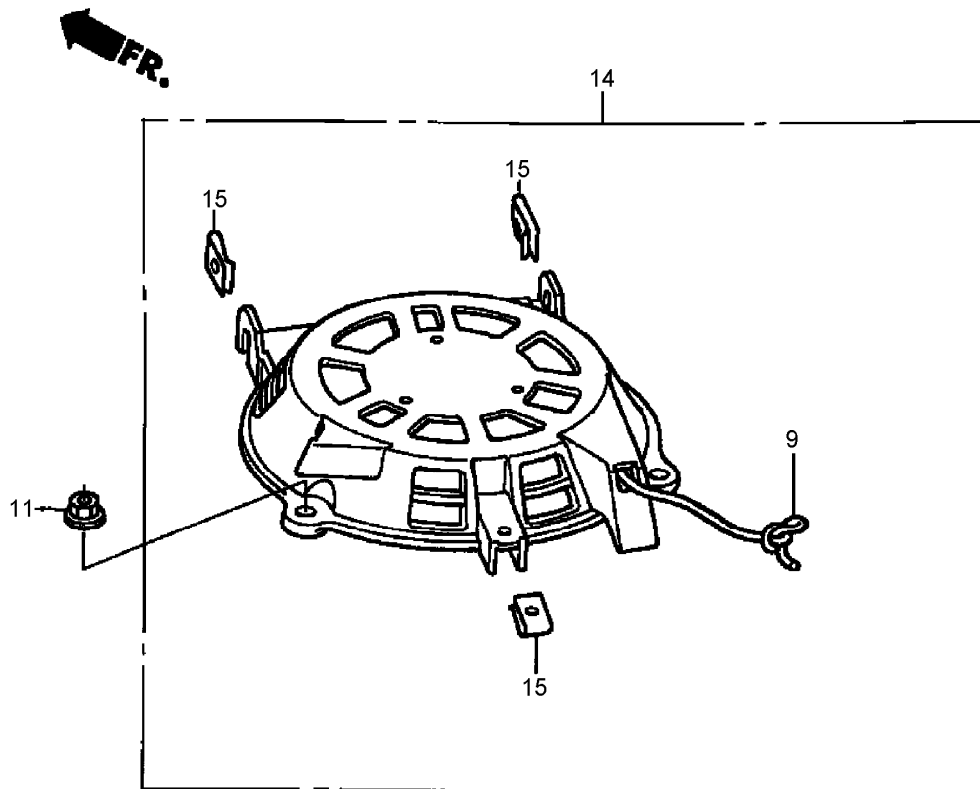
● Obtain parts from www.honda-engines.com



Camshaft Pulley Assembly Honda GCV160A STL1

Ref.	Part Number	Qty.	Description
1	14320-ZL8-010	1	Pulley-Camshaft ●
2	14324-ZL8-000	1	Shaft-Pulley, Cam ●
3	14400-Z0J-014	1	Belt-Timing (84H U7 G-200) ●
4	14431-Z0J-000	1	Arm-Rocker, Intake Valve ●
5	14441-Z0J-000	1	Arm-Rocker, Exhaust Valve ●
6	14461-ZL8-000	2	Shaft-Arm, Rocker ●
7	14711-Z0J-000	1	Valve-Intake (Rocknel) ●
8	14721-ZL8-000	1	Valve-Exhaust ●
9	14751-ZL8-000	2	Spring-Valve ●
10	14771-Z0J-000	2	Retainer-Spring, Valve ●
11	90012-333-000	2	Screw-Adjusting, Tappet ●
12	90206-001-000	2	Nut-Adjusting, Tappet ●
13	91301-ZM0-V31	1	O-Ring (6.8X19) (Arai) ●
14	12209-ZM0-003	1	Seal-Stem, Valve ●

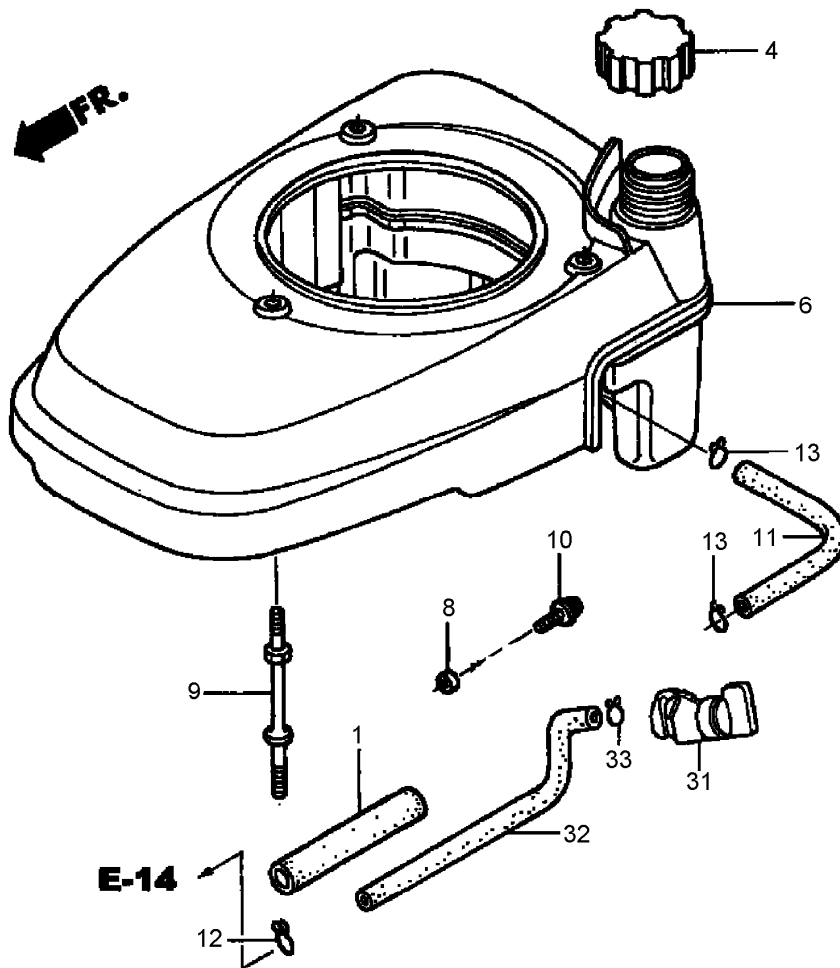
● Obtain parts from www.honda-engines.com



Recoil Starter Assembly Honda GCV160A STL1

<i>Ref.</i>	<i>Part Number</i>	<i>Qty.</i>	<i>Description</i>
9	28462-Z0L-V71	1	Rope-Starter, Recoil ●
11	90201-ZM0-000	3	Nut-Flange (6Mm) ●
14	28400-Z0L-V72	1	Recoil Starter ASM ●
15	66871-KY2-700	3	Nut-Cowl ●

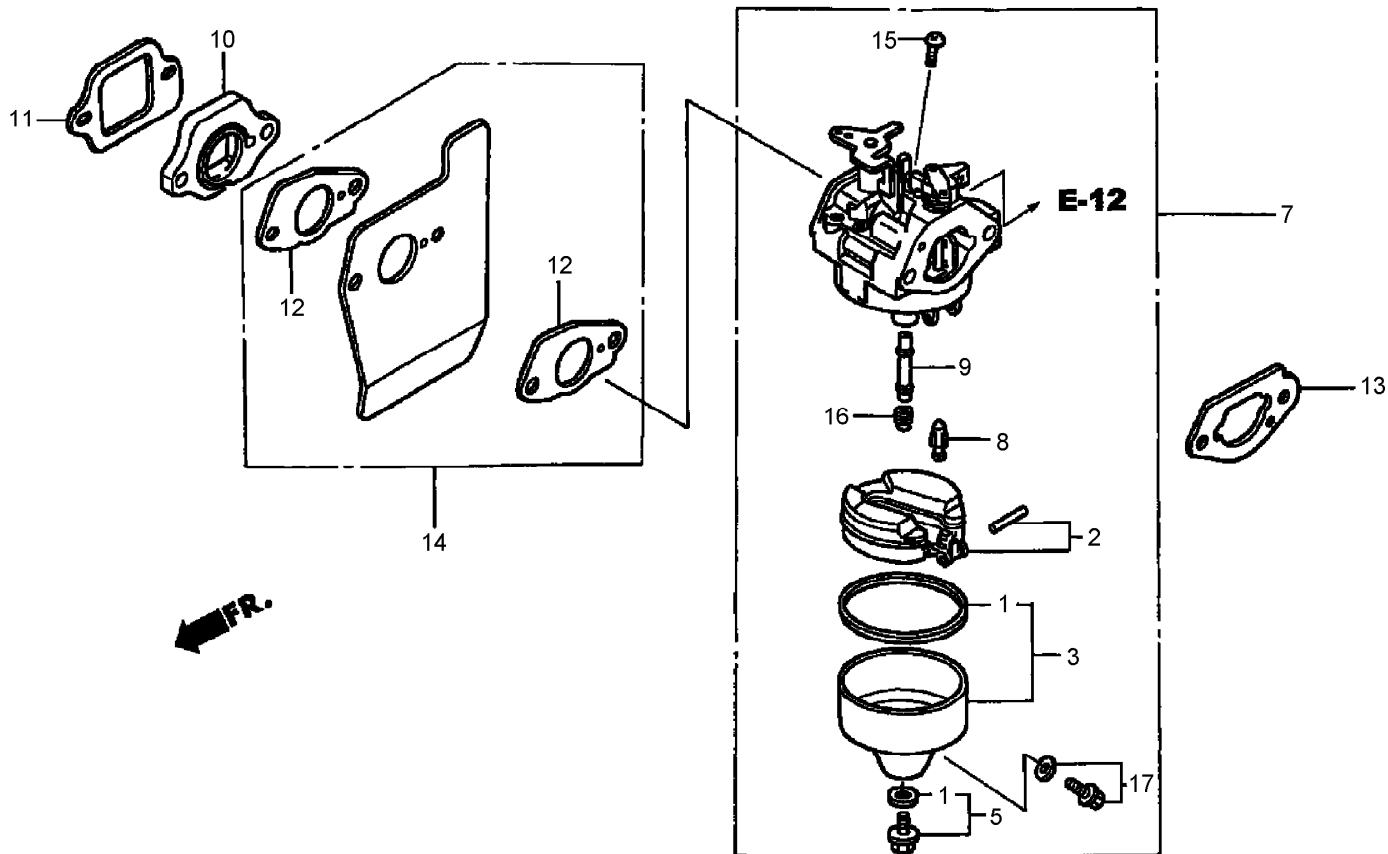
● Obtain parts from www.honda-engines.com



Fan Cover Assembly Honda GCV160A STL1

Ref.	Part Number	Qty.	Description
1	16854-ZH8-000	1	Supporter-Rubber (107 Mm) ●
4	17620-ZL8-013	1	Fuel Tank Cap ASM ●
6	19610-Z0L-800ZA	1	Cover-Fan ●
8	91501-Z0L-800	1	Collar-Petcock, Fuel ●
9	90043-ZL8-000	3	Bolt-Stud (H=42.5Mm) ●
10	93891-05010-08	1	Screw-Washer (5X10) ●
11	95001-55008-60M	1	Fuel-Hose (5.5X8000) (5.5X100) ●
12	95002-02080	1	Clip-Tube (B8) ●
13	95002-02100	2	Clip-Tube (B10) ●
31	16950-ZM0-003	1	Petcock ASM ●
32	17702-ZM0-800	1	Tube-Fuel ●
33	95002-02080	1	Clip-Tube (B8) ●

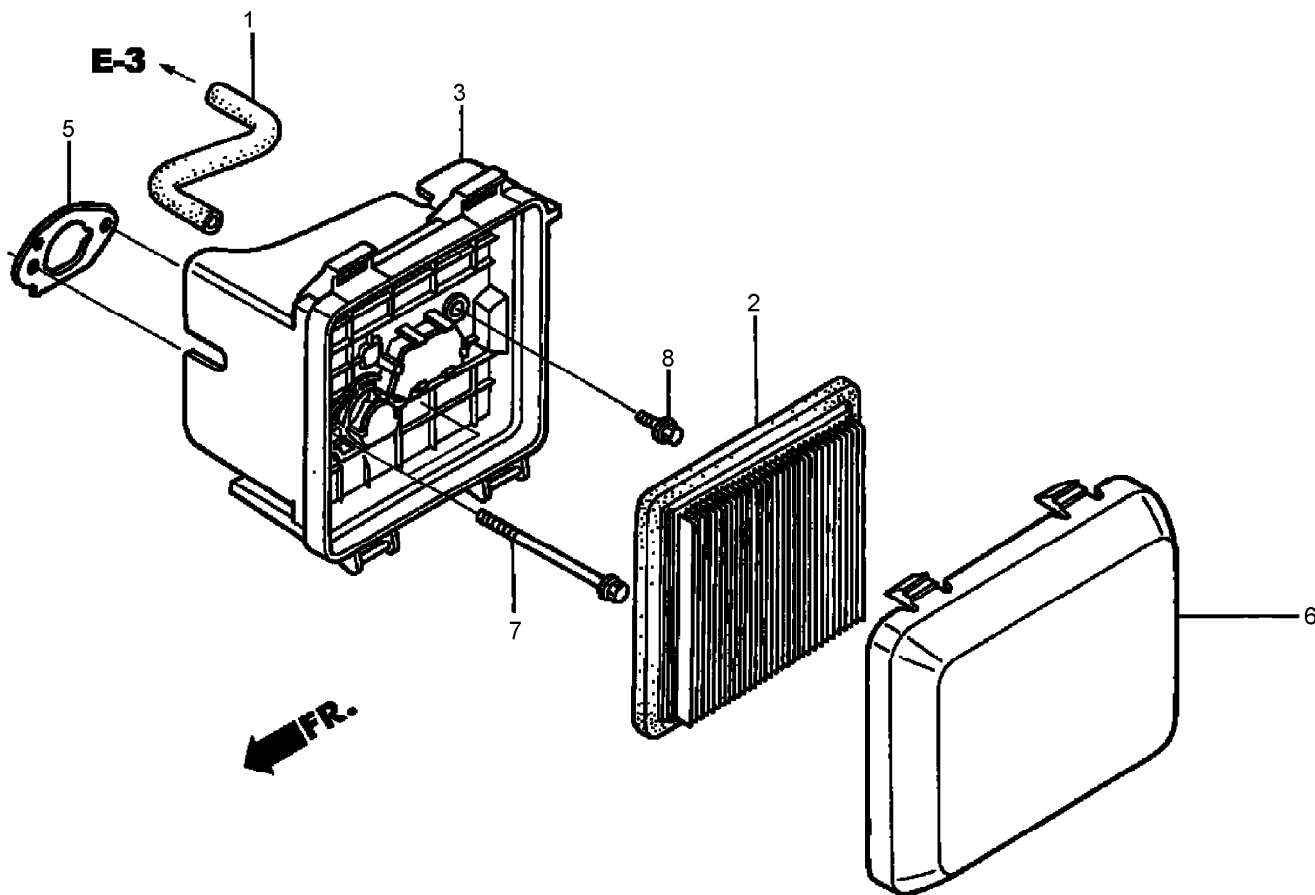
● Obtain parts from www.honda-engines.com



Carburetor Assembly Honda GCV160A STL1

Ref.	Part Number	Qty.	Description
1	16010-883-015	1	Gasket Set ●
2	16013-ZL1-003	1	Float Set ●
3	16015-887-782	1	Float Chamber Set ●
5	16028-ZE0-005	1	Screw Set ●
7	16100-Z0L-802	1	Carburetor ASM (Bb62G B) ●
8	16155-ZM0-013	1	Valve-Float ●
9	16166-ZM0-003	1	Nozzle-Main ●
10	16211-ZL8-000	1	Insulator-Carburetor ●
11	16212-ZL8-000	1	Gasket-Insulator ●
12	16221-883-800	2	Gasket-Carburetor ●
13	16228-ZL8-000	1	Gasket-Carburetor ●
14	19650-ZM0-000	1	Guide-Air ●
15	93500-05006-0H	1	Screw-Pan (5X6) ●
16	99101-124-0600	1	Jet-Main (No.60) ●
16	99101-124-0620	1	Jet-Main (No.62) ●
16	99101-124-0650	1	Jet-Main (No.65) ●
17	16024-ZE1-811	1	Drain Screw Set ●

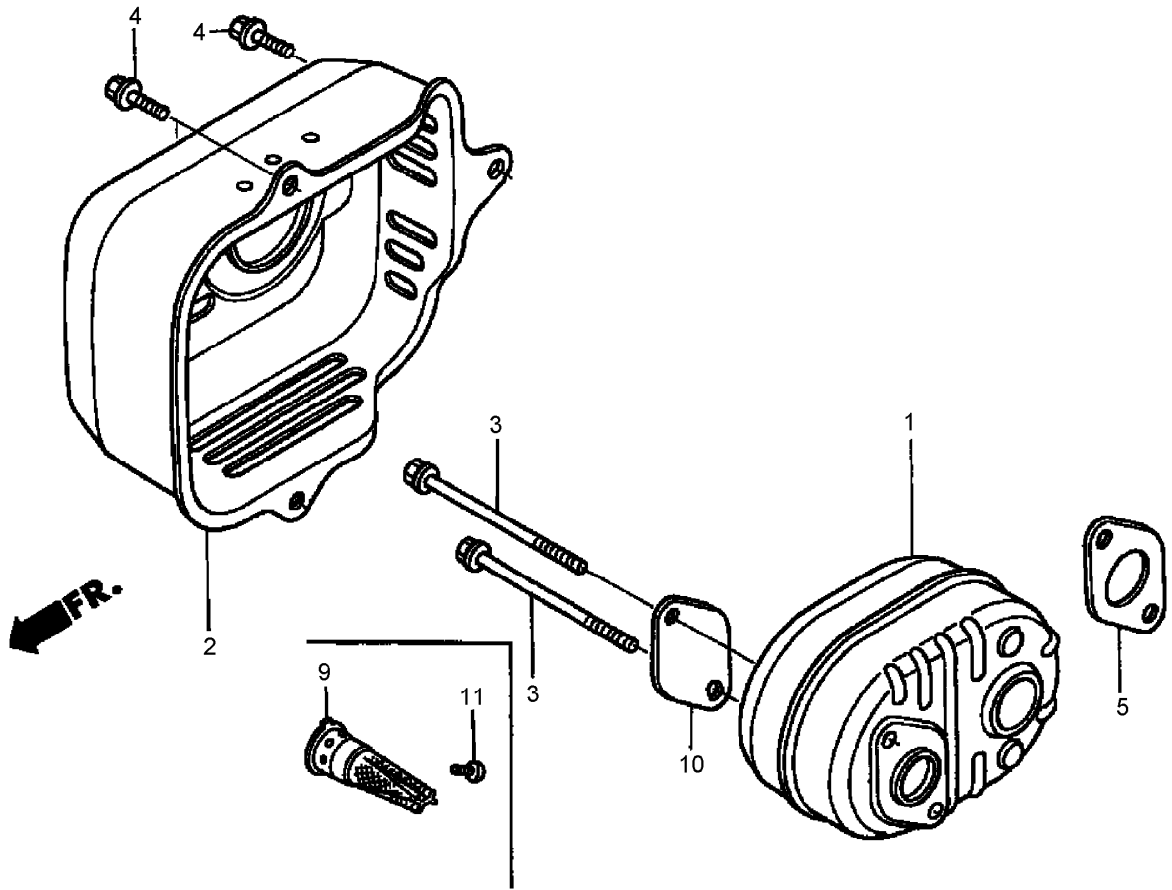
● Obtain parts from www.honda-engines.com



Air Cleaner Assembly Honda GCV160A STL1

Ref.	Part Number	Qty.	Description
1	15721-ZM0-000	1	Tube-Breather ●
2	17211-ZL8-013	1	Element-Cleaner, Air ●
3	17220-ZM0-000	1	Air Cleaner Case ASM ●
5	17228-ZM0-000	1	Gasket-Cleaner, Air ●
6	17231-Z0L-030	1	Cover-Cleaner, Air ●
7	90003-ZM0-000	2	Bolt-Flange (6X86) (C T200) ●
8	95701-06014-08	1	Bolt-Flange (6X14) ●

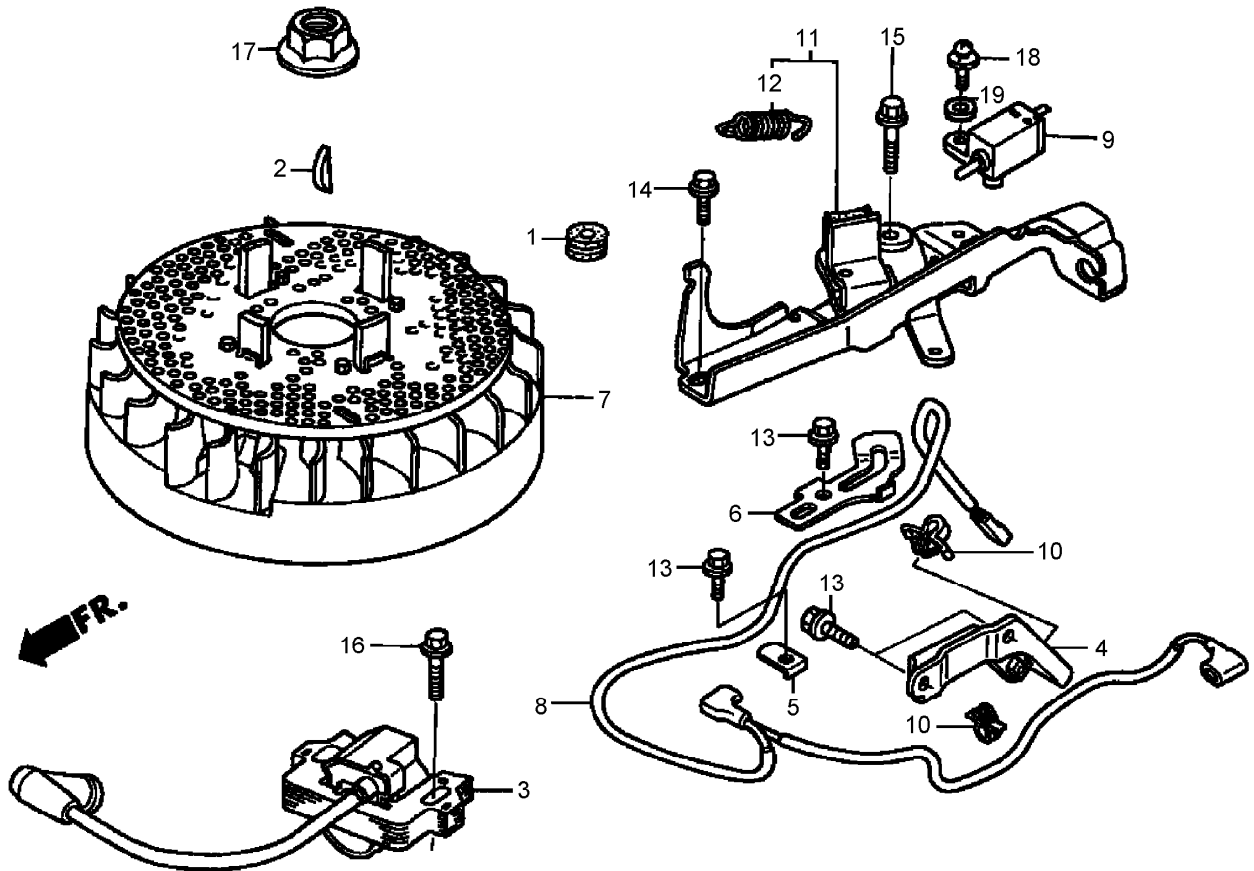
● Obtain parts from www.honda-engines.com



Muffler Assembly Honda GCV160A STL1

Ref.	Part Number	Qty.	Description
1	18310-ZM0-000	1	Muffler ●
2	18321-Z0L-J00	1	Protector-Muffler ●
3	90004-ZL8-000	2	Bolt-Flange (6X79) (C T200) ●
4	90013-883-000	3	Bolt-Flange (6X12) (C T200) ●
5	18381-ZL8-305	1	Gasket-Muffler ●
9	18350-ZL8-000	1	Arrester-Spark ●
10	18356-ZL8-000	1	Plate-Number, Arrester ●
11	90055-ZE1-000	1	Screw-Tapping (4X6) ●

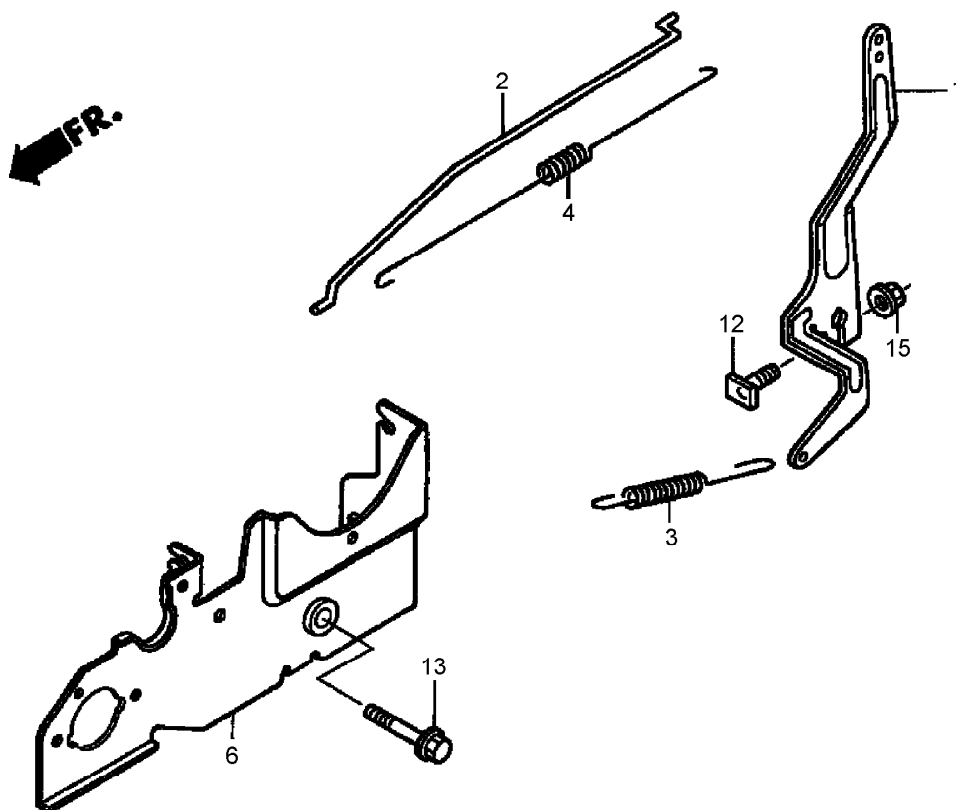
● Obtain parts from www.honda-engines.com



Flywheel Assembly Honda GCV160A STL1

Ref.	Part Number	Qty.	Description
1	11344-MB0-000	1	Grommet A-Cover, Rear (8X16X6.6) ●
2	13331-357-000	1	Key-Woodruff, Special (25X18) ●
3	30500-ZL8-004	1	Ignition Coil ASM ●
4	30547-Z0L-S00	1	Clamp-Wire, Stop Switch ●
5	30548-ZL8-000	1	Clamp-Wire, Stop Switch ●
6	30549-ZL8-000	1	Clamp-Wire ●
7	31105-ZM0-000	1	Flywheel ASM ●
8	32195-Z0L-S00	1	Wire-Switch, Stop ●
9	35120-ZM0-003	1	Engine Stop Switch ASM (N C) ●
10	51125-Z0L-003	2	Holder-Wire (Fastex) ●
10	90681-959-003	2	Clip A-Cable (3.8Mm Black) (Nifco) ●
11	75110-Z0L-800	1	Brake ASM ●
12	75113-ZM0-000	1	Spring-Lever, Brake ●
13	90013-883-000	4	Bolt-Flange (6X12) (C T200) ●
14	90014-952-000	1	Bolt-Flange (6X14) (C T200) ●
15	90018-ZE1-000	1	Bolt-Flange (6X23) (C T200) ●
16	90022-888-010	1	Bolt-Flange (6X20) (C T200) ●
17	90201-878-003	1	Nut-Special (14 Mm) ●
18	93892-04012-00	1	Screw-Washer (4X12) ●
19	94103-04000	1	Washer-Plain (4Mm) ●

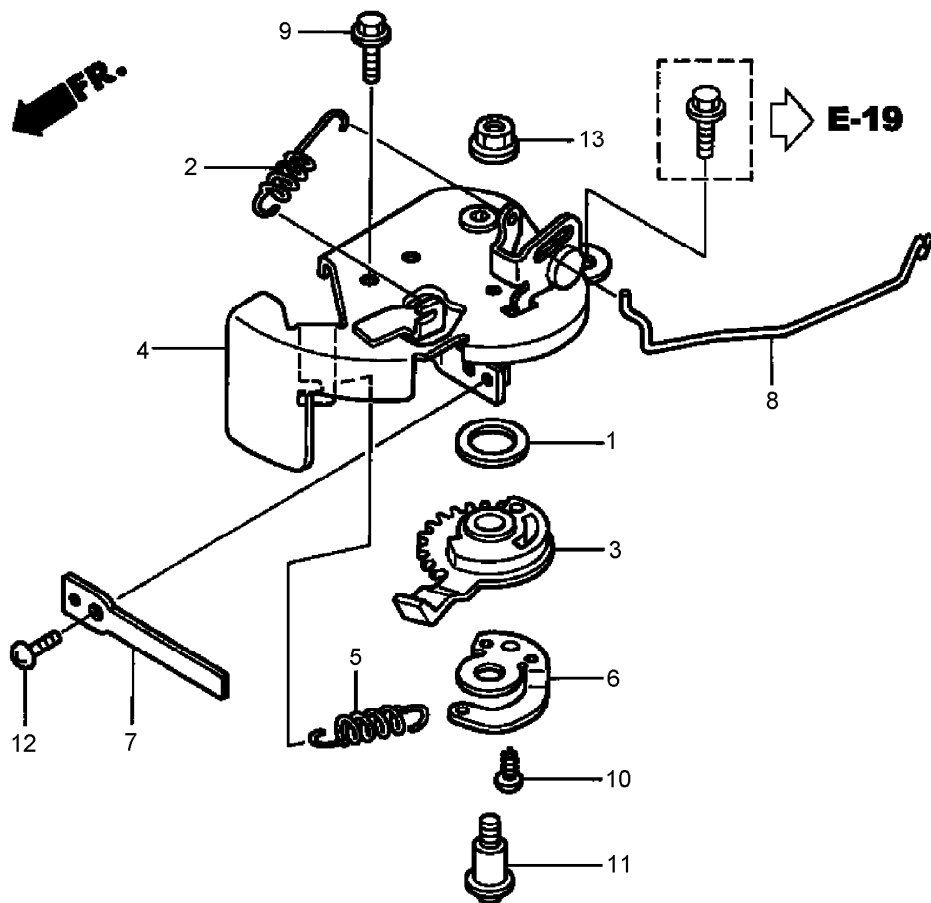
● Obtain parts from www.honda-engines.com



Control Assembly Honda GCV160A STL1

Ref.	Part Number	Qty.	Description
1	16551-ZM0-010	1	Arm-Governor ●
2	16555-Z0L-800	1	Rod-Governor ●
3	16561-Z0L-000	1	Spring-Governor ●
4	16562-ZM0-000	1	Spring-Return, Throttle ●
6	16580-Z0L-810	1	Base-Control ●
12	90015-ZE5-010	1	Bolt-Arm, Governor ●
13	90016-ZE8-000	1	Bolt-Flange (6X45) (C T200) ●
15	94050-06000	1	Nut-Flange (6 Mm) ●

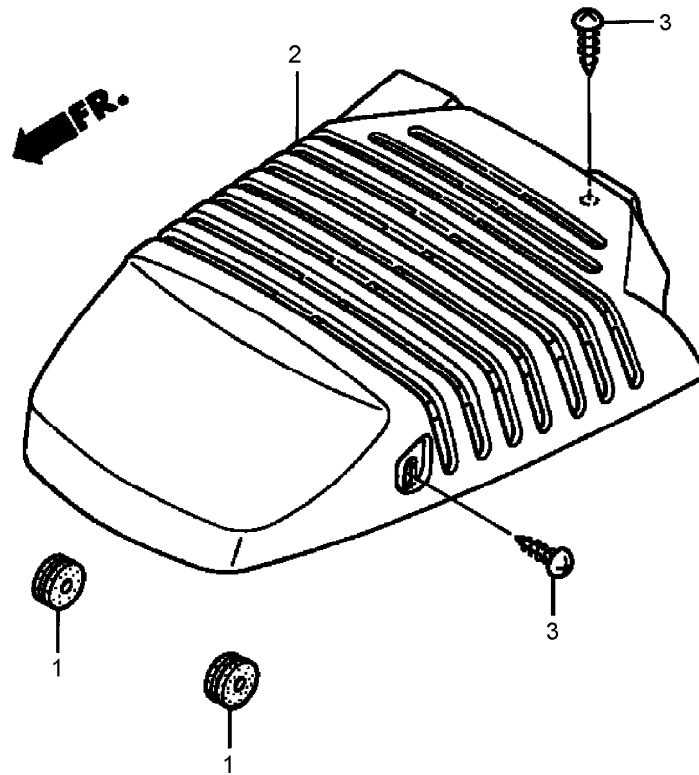
● Obtain parts from www.honda-engines.com



Choke Base Assembly Honda GCV160A STL1

Ref.	Part Number	Qty.	Description
1	16251-Z0L-800	1	Seal-Lever, Choke ●
2	16592-ZJ1-000	1	Spring-Return, Cable ●
3	16612-Z0L-800	1	Lever-Choke ●
4	16613-Z0L-800	1	Base-Choke ●
5	16614-Z0L-800	1	Spring-Lever, Choke ●
6	16616-Z0L-800	1	Hook-Spring, Choke ●
7	16619-Z0L-800	1	Plate-Choke ●
8	16632-Z0L-800	1	Rod-Stop ●
9	90029-888-000	1	Bolt-Flange (6X16) (C T200) ●
10	90102-SP1-003	1	Screw-Tapping (4X8) (Po) ●
11	90141-KT8-000	1	Screw-Pan (5X19) ●
12	93500-04008-0H	1	Screw-Pan (4X8) ●
13	94050-05000	1	Nut-Flange (5Mm) ●

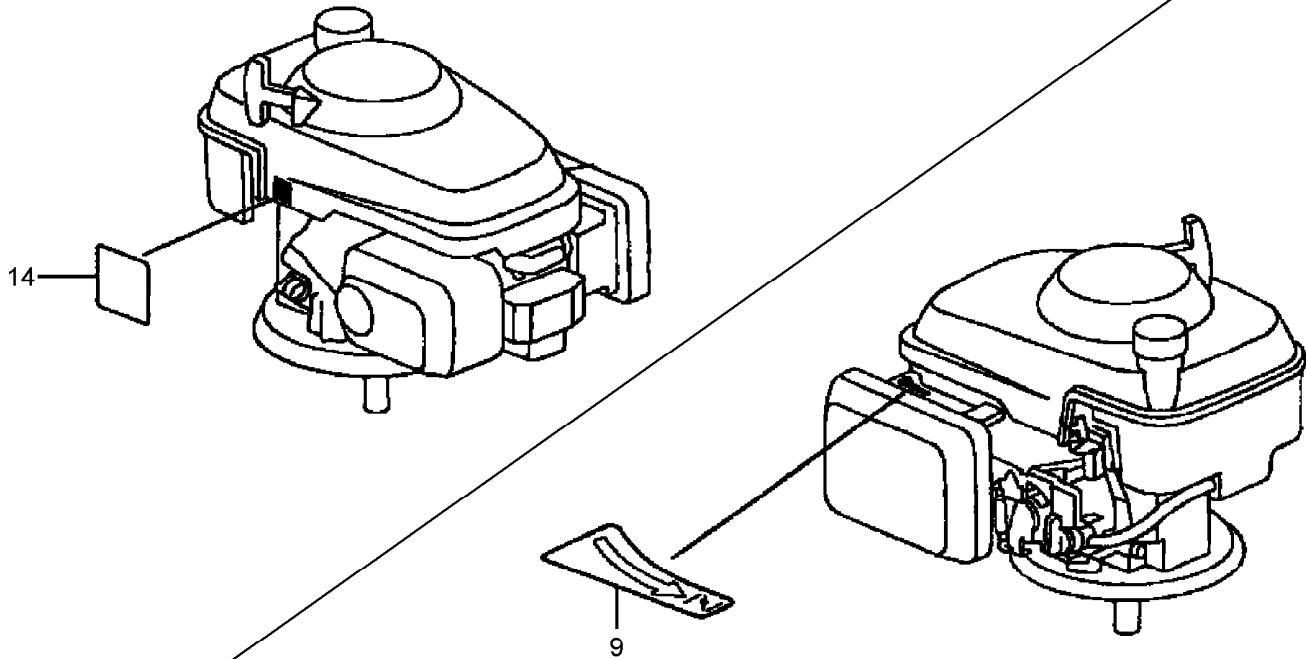
● Obtain parts from www.honda-engines.com



Top Cover Assembly Honda GCV160A STL1

<i>Ref.</i>	<i>Part Number</i>	<i>Qty.</i>	<i>Description</i>
1	16613-883-610	2	Grommet-Rod, Choke ●
2	19721-Z0L-000ZA	1	Cover-Top (N H1) (Black) ●
3	90137-SH3-000	3	Screw-Tapping (4X16) ●

● Obtain parts from www.honda-engines.com



Label Assembly Honda GCV160A STL1

<i>Ref.</i>	<i>Part Number</i>	<i>Qty.</i>	<i>Description</i>
9	87528-Z0L-V20	1	Mark-Indication, Choke ●
14	87594-VG3-010	1	Mark-Caution, Oil ●

● Obtain parts from www.honda-engines.com

Attachments and Accessories

For 10672 Insight Gold Lawn Mower

Product Name	Model/Part
Lawn-Boy Paint	110-8800
Height-of-Cut Kit	110-8801
Loose Parts Kit	112-8770
Replacement Bag	89815
Rear Bag Kit	89913
21in Blade.....	89914
Cruise Control Kit.....	89919
Air Filter	89928
Spark Plug	89947
Cup Holder	89951

Notes:

