



CE UPDATE KIT

825 RER Model No. 70060

PART NO. 94-1298

INSTALLATION INSTRUCTIONS

Loose Parts

Note: Use the chart below to identify parts used for assembly.

| DESCRIPTION | QTY. | USE |
|---------------------------------|------|-----------------------------------|
| Deflector assembly with kickers | 1 | Install discharge chute assembly |
| Muffler guard | 1 | Install muffler guard |
| Flange bolt | 2 | |
| Terminal boot | 1 | Install on positive battery cable |

Installing Deflector Assembly

1. Remove lock nut, under mower, and remove rear stand-off from mower (Fig. 1). Slide rod out of front stand-off and remove old deflector.

Note: Save stand-off and lock nut for use when installing new deflector assembly.

2. Transfer spring and retainer from old deflector to new deflector. Secure with bolt and nut (Fig. 1).
3. Slide rod, from new deflector assembly into front stand-off (Fig. 1).
4. Slide rear stand-off onto rod and into mower. Secure rear stand-off to mower with lock nut (Fig. 1).

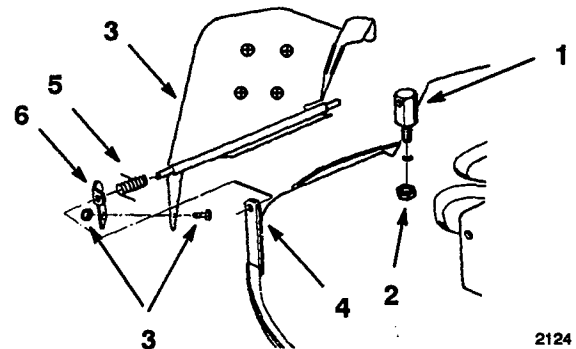


Figure 1

- | | |
|--------------------|-----------------|
| 1. Rear stand-off | 5. Spring |
| 2. Lock nut | 6. Retainer |
| 3. Deflector | 7. Bolt and nut |
| 4. Front stand-off | |

! DANGER

POTENTIAL HAZARD

- Without the grass deflector, discharge cover, or complete grass catcher assembly mounted in place, you and others are exposed to blade contact and thrown debris.

WHAT CAN HAPPEN

- Contact with rotating mower blade(s) and thrown debris will cause injury or death.

HOW TO AVOID THE HAZARD

- NEVER remove the grass deflector from the mower because the grass deflector routes material down toward the turf. If the grass deflector is ever damaged, replace it immediately.
- Never put your hands or feet under the mower.
- Never try to clear discharge area or mower blades unless you move the power take off (PTO) to "OFF" and rotate the ignition key to "OFF." Also remove the key and pull the wire off the spark plug(s).

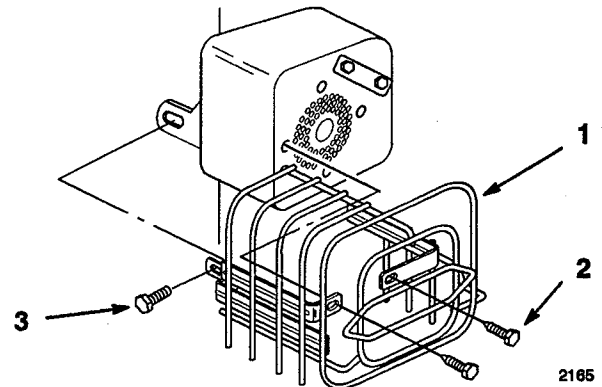


Figure 2

- 1. Muffler guard
- 2. Flange bolt
- 3. Shroud mounting bolt

Installing Terminal Boot

1. Remove positive (red) battery cable mounting bolt (Fig. 3).

Note: Save bolt and wing nut for use when installing positive battery cable.

2. Slide terminal boot onto positive battery cable.
3. Connect positive cable to battery terminal with previously removed hardware.

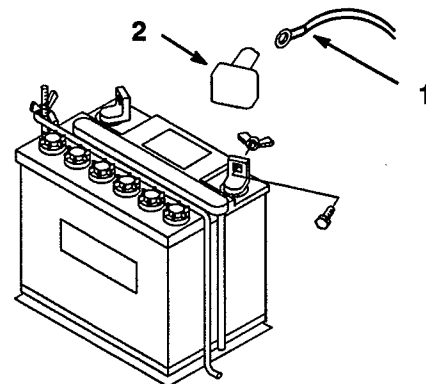


Figure 3

- 1. Positive (red) battery cable
- 2. Terminal boot

Installing Muffler Guard

1. Remove muffler deflector and mounting bolts (Fig. 2). Discard.
2. Remove shroud mounting bolt (Fig. 2). Save for use when installing muffler guard.
3. Slide muffler guard over muffler from the top.
4. Secure muffler guard to muffler with (2) new flange bolts, thread into muffler (Fig. 2).
5. Secure muffler guard to shroud with previously removed bolt (Fig. 2).