



1500 Power Curve® Snowthrower with Extension Cord

Model No. 38375—Serial No. 316000001 and Up

Operator's Manual



If, after carefully reading this manual, you still have questions or problems, call toll free 1-800-808-2963 (US) or 1-800-808-3072 (Canada) before returning this product.

IMPORTANT SAFETY INSTRUCTIONS

When using an electrical appliance, basic precautions should always be followed, including the following:

READ ALL INSTRUCTIONS BEFORE USING THIS APPLIANCE

WARNING—To reduce the risk of fire, electric shock, or injury, follow these safety instructions.

It is essential that you or any other operator of the appliance read and understand the contents of this manual before operating the appliance. Pay particular attention to the safety alert symbol which means CAUTION, WARNING, or DANGER—personal safety instruction. Read and understand the instruction because it has to do with safety. **Failure to comply with these instructions may result in personal injury, risk of fire, or electrical shock.**

Double insulation—If the appliance cord is damaged in any manner while it is plugged in, disconnect the extension cord from the wall receptacle first. The power cord and switch used on this appliance cannot be replaced, and the equipment shall be disposed of.

Do not use the appliance on a graveled surface.

Keep children and bystanders away—All visitors should be kept at a distance from the work area.

Dress properly—Do not wear loose clothing or jewelry. They can be caught in moving parts.

Wear rubber boots when operating the appliance.

Operating the appliance in the hand-held position is unsafe.

Warning—To prevent electric shock, use the appliance only with an extension cord suitable for outdoor use.

Extension cords—To prevent the appliance cord and the extension cord from disconnecting during operation, connect the extension cord to the appliance as shown in [Figure 4](#).

Avoid accidental starting—Do not carry the appliance with your finger on the switch. Ensure that the switch is off when plugging in the appliance.

Do not abuse the cord—Never carry the appliance by its cord or yank on the extension cord to disconnect the appliance from the receptacle. Keep the cord from heat, oil, and sharp edges.

Keep hands away from moving parts.

Keep guards in place and in working order.

Do not force the appliance—It will perform better and safer at the rate for which it was designed.

Do not overreach—Watch your footing and keep your balance at all times.

If the appliance strikes a foreign object, follow these steps:

- Immediately release the control bar to stop the appliance.
- Unplug the power cord.
- Inspect for damage.
- Repair any damage before starting and operating the appliance.

Disconnect the appliance—Disconnect the appliance from the power supply when not in use, before servicing, when changing accessories, etc.

Store an idle appliance indoors. When the appliance is not in use, it should be stored indoors in a dry, secured place out of the reach of children.

Maintain the appliance with care—Follow instructions for changing accessories.

This appliance meets or exceeds the B71.3 specifications of the American National Standards Institute in effect at the time of production.

Read and understand the contents of this manual before you start the motor.

This is the safety alert symbol. It is used to alert you to potential personal injury hazards. Obey all safety messages that follow this symbol to avoid possible injury or death.

Improperly using or maintaining this appliance could result in injury or death. To reduce this potential, comply with the following safety instructions.

This appliance is capable of amputating hands and feet and of throwing objects. Failure to observe the following safety instructions could result in serious injury.

Training

- Read, understand, and follow all instructions on the appliance and in the manual(s) before operating this appliance. Be thoroughly familiar with all the controls and the proper use of



the appliance. Know how to stop the appliance and disengage the controls quickly.

- Never allow children to operate the appliance. Never allow adults to operate the appliance without proper instruction.
- Keep the area of operation clear of all persons, particularly small children.
- Exercise caution to avoid slipping or falling.

Preparation

- Thoroughly inspect the area where the appliance is to be used and remove all doormats, sleds, boards, wires, and other foreign objects.
- Do not operate the appliance without wearing adequate winter garments. Avoid loose fitting clothing that can get caught in moving parts. Wear footwear that will improve footing on slippery surfaces.
- Do not attempt to clear snow from a gravel or crushed rock surface. This appliance is intended for use only on paved surfaces.
- Never attempt to make any adjustments while the motor is running (except when specifically recommended by manufacturer).
- Always wear safety glasses or eye shields during operation or while performing an adjustment or repair to protect eyes from foreign objects that may be thrown from the appliance.

Operation

- Do not put hands or feet near or under rotating parts. Keep clear of the discharge opening at all times.
- Exercise extreme caution when operating on or crossing gravel drives, walks, or roads. Stay alert for hidden hazards or traffic.
- After striking a foreign object, stop the motor, unplug the extension cord, remove the key, and thoroughly inspect the appliance for any damage. Repair any damage before starting and operating the appliance.
- If the appliance should start to vibrate abnormally, stop the motor and check immediately for the cause. Vibration is generally a warning of trouble.
- Stop the motor, remove the key, and unplug the appliance whenever you leave the operating position, before unclogging the rotor blade housing or discharge chute, and when making any repairs, adjustments, or inspections.
- When cleaning, repairing, or inspecting the appliance, stop the motor, remove the key, unplug the appliance, and ensure that the rotor blades and all moving parts have stopped.
- Exercise extreme caution when operating on slopes.
- Never operate the appliance without proper guards and other safety protective devices in place and working.
- Never direct the discharge toward people or areas where property damage can occur. Keep children and others away.
- Do not overload the capacity of the appliance by attempting to clear snow at too fast a rate.
- Look behind and use care when backing up with the appliance.
- Never operate the appliance without good visibility or light. Always be sure of your footing, and keep a firm hold on the handle. Walk; never run.

Clearing a Clogged Discharge Chute

Hand contact with the rotating rotor blades inside the discharge chute is the most common cause of injury associated with snowthrowers. Never use your hand to clean out the discharge chute.

To clear the chute:

- **Shut the motor off, remove the key, and unplug the extension cord from the appliance!**
- Wait 10 seconds to be sure the rotor blades have stopped rotating.
- Always use a clean-out tool, not your hands.

Maintenance and Storage

- Check all fasteners at frequent intervals for proper tightness to ensure that the appliance is in safe working condition.
- Always refer to this *Operator's Manual* for important details if the appliance is to be stored for an extended period.
- Maintain or replace safety and instruction labels as needed.
- Run the appliance for a few minutes after throwing snow to prevent freeze-up of the rotor blades.

SAVE THESE INSTRUCTIONS

Safety and Instructional Decals



Safety decals and instructions are easily visible to the operator and are located near any area of potential danger. Replace any decal that is damaged or lost.

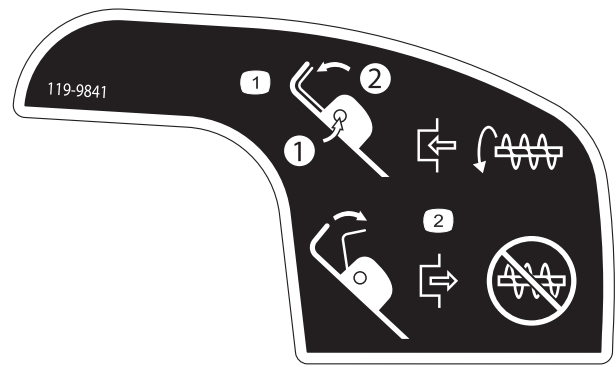


114-9034



114-9035

1. Cutting/dismemberment hazard, impeller and auger—do not place your hand in the chute; remove the ignition key and read the instructions before servicing or performing maintenance.



119-9841

1. 1) Push the interlock switch; 2) Hold the handle to engage the rotation of the auger blade.
2. Release the handle to disengage the rotation of the auger blade.



127-7065

1. Warning—read the *Operator's Manual*.
2. Thrown object hazard—keep bystanders a safe distance from the machine.
3. Cutting/dismemberment hazard of hand, impeller; cutting/entanglement hazard of foot, auger—stay away from moving parts; keep all guards and shields in place; disconnect the machine from the power outlet and read the instructions before servicing or performing maintenance.

Setup

Note: Determine the left and right sides of the appliance from the normal operating position.

Installing the Upper Handle

1. Remove the handle knobs, oval bolts, and curved washers from the lower handle.
2. Install the upper handle to the lower handle of the appliance with the handle knobs, curved washers, and oval bolts as shown in [Figure 1](#).

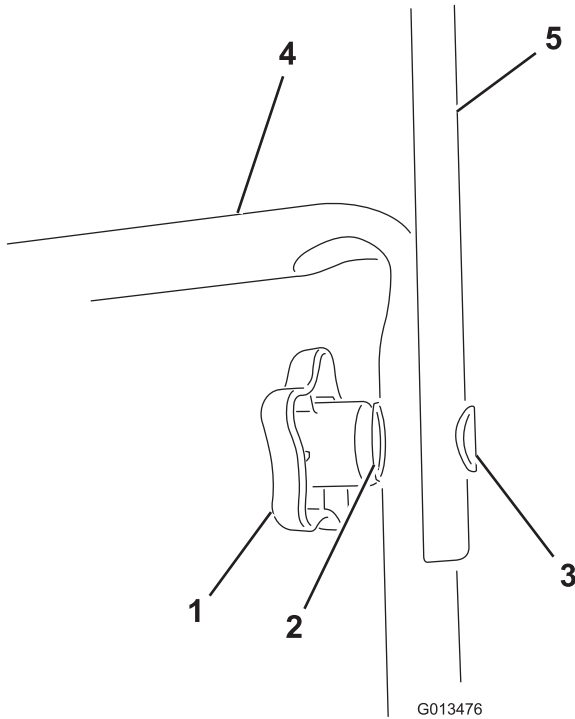


Figure 1

1. Handle knob (2)
2. Curved washer (2)
3. Oval bolt (2)
4. Lower handle
5. Upper handle

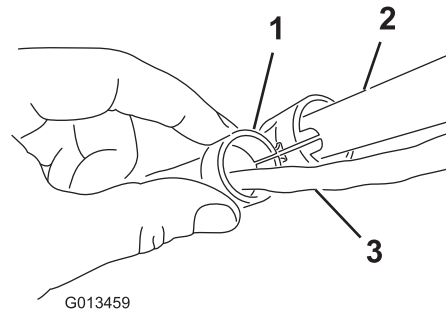


Figure 2

1. Cord guide
2. Handle
3. Cord

Operation

Product Overview

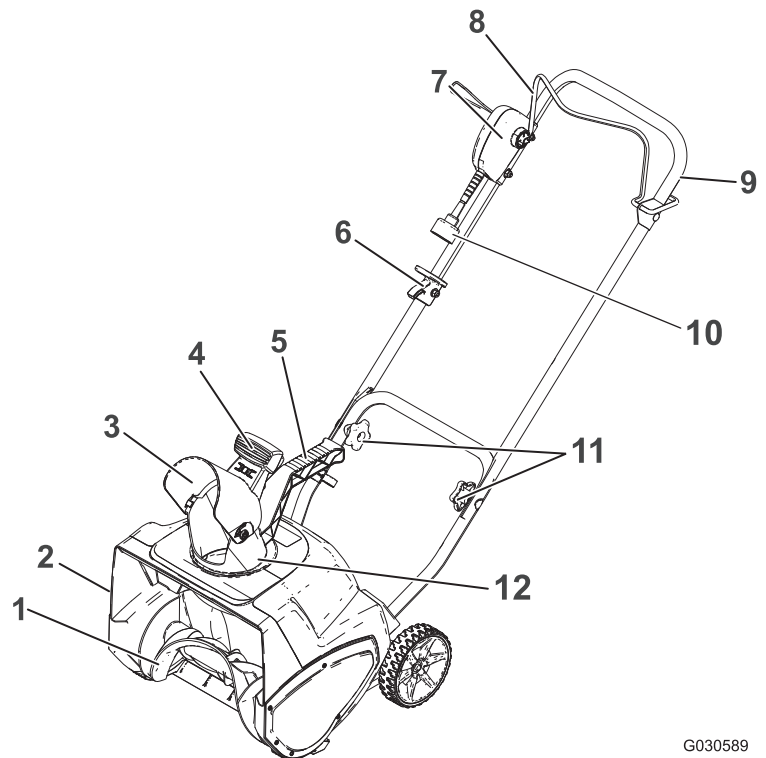


Figure 3

1. Rotor blades
2. Belt cover (not shown)
3. Chute deflector
4. Chute-deflector trigger
5. Discharge-chute handle
6. Cord guide
7. Interlock button
8. Power-control bar
9. Upper handle
10. Cord
11. Handle knobs
12. Discharge chute

G030589

Note: Ensure that the power cord attached to the appliance is routed over the lower handle and to the **inside** of the handle assembly.

3. Tighten the handle knobs firmly by hand.
4. Attach the cord guide to the handle ([Figure 2](#)).

Important: This appliance is intended for outdoor, residential use only. Do not use it indoors or for commercial or industrial purposes.

Connecting to a Power Source

To reduce the risk of electric shock, this appliance has a polarized plug (i.e., one blade is wider than the other). Use only a polarized plug, UL-listed (CSA certified in Canada) extension cord recommended for outdoor use. A polarized plug will fit in a polarized cord only one way. If the plug does not fit fully in the cord, reverse the cord. If it still does not fit, purchase a polarized extension cord. If you have a polarized extension cord and the extension cord plug does not fit fully into the wall receptacle, reverse the plug. If it still does not fit, contact a qualified electrician to install the proper outlet. Do not change the appliance or extension cord plug in any way.

⚠ DANGER

Contact with water while operating the appliance could cause electric shock, causing injury or death.

- **Don't handle the plug or the appliance with wet hands or while standing in water.**
- **Use only an extension cord recommended for outdoor cold-weather use.**

Extension Cord Length	Minimum Wire Gauge (A.W.G.)
30.5 m (100 ft)	14
46 m (150 ft)	12

Note: Do not use an extension cord over 150 feet.

Important: Check the extension cord frequently during use for holes or cracks in the insulation. Do not use a damaged cord. Do not run the cord through standing water or wet grass.

Note: To prevent disconnecting the extension cord from the power cord during operation, insert the extension cord in the cord lock (on the power cord) before you connect the extension cord to the power cord (Figure 4).

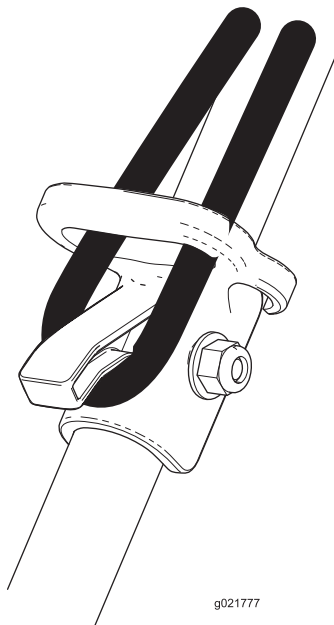


Figure 4

1. Cord lock

⚠ WARNING

A damaged appliance cord can cause a shock or fire.

Thoroughly inspect the appliance cord before using the appliance. If the cord is damaged, do not operate the appliance. The supply cord or switch of this appliance cannot be replaced, and the appliance shall be disposed of.

Starting and Stopping the Motor

1. To start the motor, insert the interlock key, press and hold the interlock key, and squeeze the bail to the handle (Figure 5).

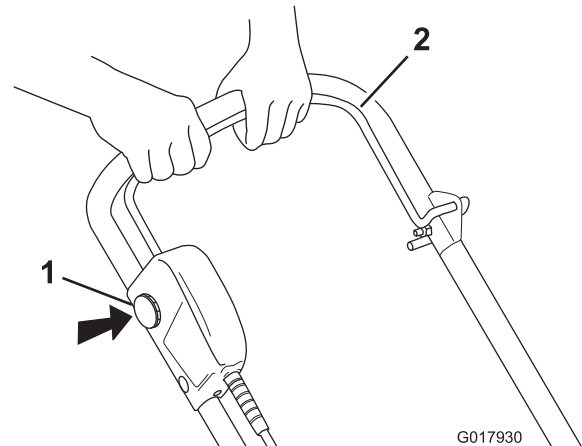


Figure 5

1. Interlock key
2. Bail

Note: You may release the interlock key after you squeeze and hold the bail to the handle.

2. To stop the motor, release the bail.

Note: When you stop the appliance after you have removed the snow, remove the interlock key and disconnect the extension cord from the appliance.

Adjusting the Discharge Chute and Chute Deflector

To adjust the direction of the snow stream from the discharge chute, move the handle on the discharge chute (Figure 6).

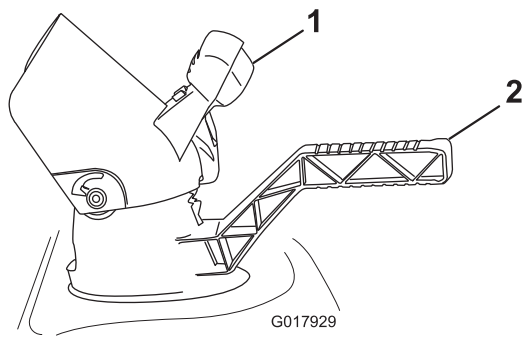


Figure 6

1. Discharge chute deflector trigger
2. Discharge chute handle

To adjust the height of the snow stream from the discharge chute, squeeze the trigger and raise or lower the discharge chute deflector (Figure 6).

⚠ WARNING

A gap between the discharge chute and the chute deflector may allow the appliance to throw snow and objects in the direction of the operator. Thrown objects could cause serious personal injury.

- **Do not force the chute deflector too far forward so that a gap appears between the discharge chute and chute deflector.**
- **Do not adjust the chute deflector with the bail engaged. Release the bail before adjusting the chute deflector.**

Operating Tips

⚠ WARNING

If the appliance hits an object while in operation, the object could be thrown in operator's or bystander's direction. Thrown objects could cause serious personal injury.

Keep the area to be cleared free of all objects which may be picked up and thrown by the rotor blades.

- Check the condition of the appliance before operating it to ensure that the rotor turns freely.
- Always keep children and pets away from the area of operation.
- Keep the area to be cleared free of stones, toys, or other objects which the rotor blades can throw. Such items could be covered by snowfall and go unnoticed. If the appliance strikes an object during operation, stop the appliance, unplug the extension cord, remove the obstruction, and check the appliance for damage.
- Begin removing snow near the electrical outlet and work outward. Blow back and forth, not away from and toward the outlet.
- When turning at the end of a swath, step over the cord and turn the appliance.
- Always overlap each swath and discharge the snow downwind when possible.

⚠ WARNING

When using the discharge chute handle, never direct the snow discharge chute at the operator or bystanders. The appliance can throw objects and cause serious personal injury.

When using the discharge chute handle, always turn the discharge chute in the opposite direction from where you or bystanders are standing.

- Keep the extension cord clear of obstructions, sharp objects, and all moving parts. Do not pull sharply on cord or abuse it in any manner. Inspect the extension cord frequently for damage that may result in an electric shock. If the extension cord is damaged, replace it.
- In cold and snowy weather conditions, some controls and moving parts may freeze. Therefore, if any control becomes difficult to operate, stop the motor, disconnect the extension cord, and check for frozen parts. Do not use excessive force when trying to operate frozen controls. Bring the appliance indoors to thaw frozen controls before operating it.
- When operating the appliance, keep the wheels 1 inch (2.5 cm) off the pavement by tipping the appliance forward. This helps prevent the snow from building up on the wheels.
- After clearing the snow, let the motor run for a few minutes so that moving parts do not freeze. Then shut off the motor, wait for all moving parts to stop, and wipe the ice and snow off the appliance. Rotate the chute crank several times to remove any snow.

Maintenance

Note: Determine the left and right sides of the appliance from the normal operating position.

⚠ WARNING

If the extension cord is plugged into the appliance, someone could accidentally operate the appliance while you are performing maintenance on it, causing serious personal injury.

Remove the key and disconnect the extension cord before you perform any maintenance on the appliance.

Lubricating the Appliance

You do not need to lubricate the appliance; all the bearings have been lubricated at the factory for the life of the appliance.

Replacing the Scraper

The scraper is located at the bottom of the rotor housing as shown in Figure 7.

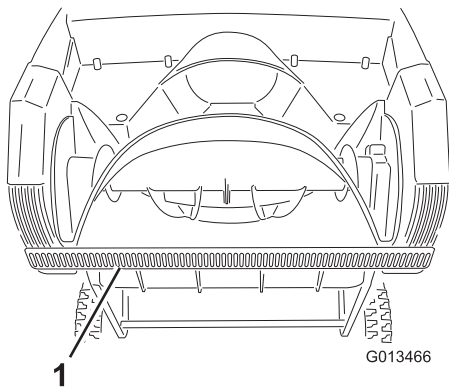


Figure 7

1. Scraper

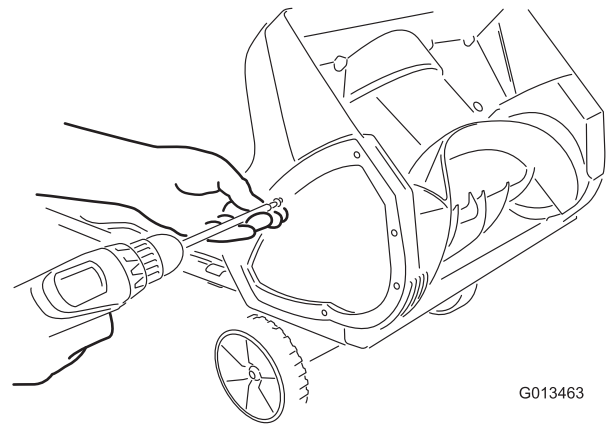


Figure 10

1. Remove the screw from each side plate that holds the scraper (Figure 8) and 2 screws from under the appliance (Figure 9) that secure the scraper to the appliance.

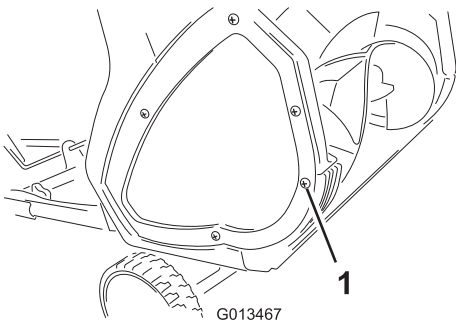


Figure 8

1. Screw (2)

2. Remove the rotor pin (Figure 11).

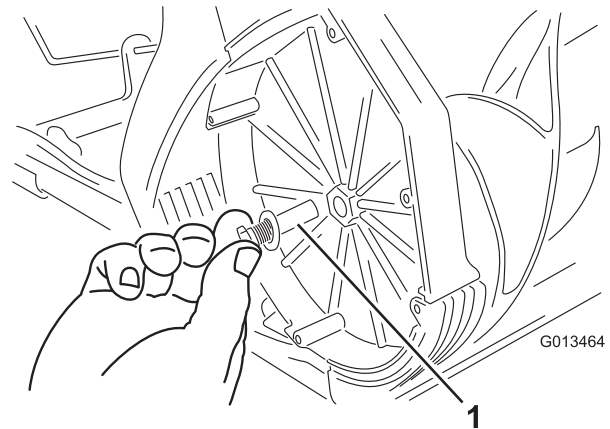


Figure 11

1. Rotor pin

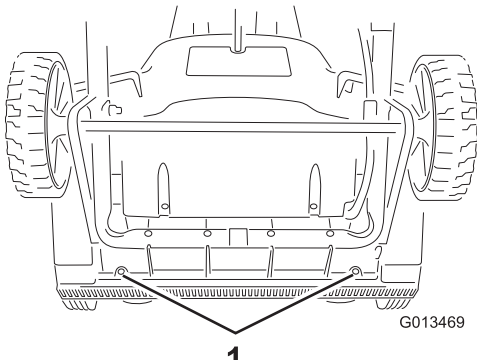


Figure 9

1. Screws

2. Remove and discard the old scraper.
3. Install the new scraper, and fasten it securely with the 4 screws that you previously removed.

3. Remove the old rotor.
4. Install the new rotor by inserting the end of the rotor onto the fitted end in the housing and rotating the rotor until it snaps into place (Figure 12).

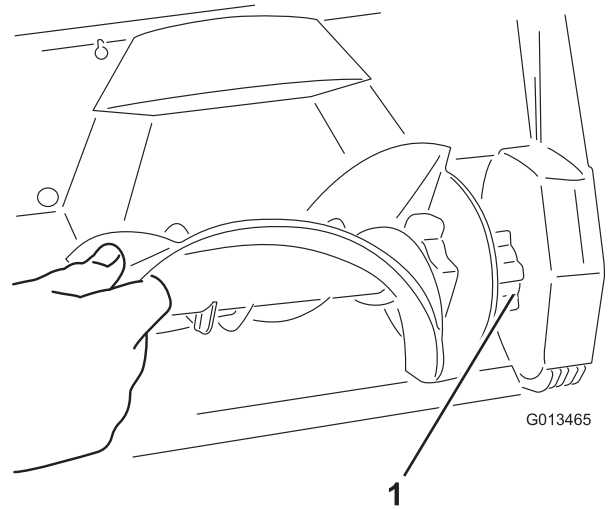


Figure 12

1. Fitted end of the rotor

Replacing the Rotor

1. Remove the screws that secure the right side plate to the appliance frame (Figure 10).

Note: Ensure that the nut that secures the rotor pin remains inside the recessed hole in the right inside wall of the housing.

Note: The housing will flex when you install the rotor.


5. Tighten the bolt on the side of the housing.
6. Install the right side plate with the screws that you removed in step 1.

Service

Toro has designed this appliance to give you years of trouble-free use. Should it need service, bring the appliance to an Authorized Toro Service Dealer, who is specially trained to repair Toro products and will ensure that your Toro stays “all” Toro.

Double-insulated Appliances

In a double-insulated appliance, two systems of insulation are provided instead of grounding. No grounding means is provided on a double-insulated appliance, nor should a means for grounding be added to the appliance. Servicing a double-insulated appliance requires extreme care and knowledge of the system, and should be done only by the qualified service personnel at an Authorized Toro Service Dealer. Replacement parts for a double-insulated appliance must be identical to the parts they replace. A double-insulated appliance is marked with the words

“Double Insulation” or “Double Insulated.” The symbol (square within a square)  may also be marked on the appliance.

Product Information

A model and serial number decal is located on the housing. Always refer to specific numbers on the decal in correspondence or when you need replacement parts.

Storage

1. Run the appliance for a few minutes and wipe away any melted snow on the appliance.
2. Remove the key and disconnect the extension cord from the appliance.
3. Examine the extension cord thoroughly for signs of wear or damage. Replace it if it is worn or damaged.
4. Examine the appliance thoroughly for worn, loose, or damaged parts. To repair or replace parts, contact an Authorized Service Dealer for assistance.
5. Store the extension cord with the appliance.
6. Store the appliance in a clean, dry place.

The Toro Promise - Electric Products

A Two-Year Full Warranty for Residential Use for the United States and Canada

The Toro Company and its affiliate, Toro Warranty Company, pursuant to an agreement between them, jointly warrant this product for two years against defects in material or workmanship when used for normal residential purposes.*

If you think your Toro Product contains a defect in materials or workmanship, if you have questions or problems, and before returning this product call toll free:

Trimmers:

1-800-237-2654 (US)
1-800-248-3258 (Canada)

Blowers:

1-888-367-6631 (US)
1-888-430-1687 (Canada)

Snowthrowers:

1-800-808-2963 (US)
1-800-808-3072 (Canada)

To receive a replacement or repair, at our option, return the complete unit to the seller. United States and Canada customers may return their product, with proof of purchase, to any Authorized Service Dealer. United States customers may also return their product, with proof of purchase, postage prepaid, to the Toro Service Center, 5500 SE Delaware, Ankeny, IA 50021.

This warranty covers product defects only. **Neither The Toro Company nor Toro Warranty Company is liable for indirect, incidental, or consequential damages in connection with the use of the Toro Products covered by this warranty, including any cost or expense of providing substitute equipment or service during reasonable periods of malfunction or non-use pending completion of repairs under this warranty. Some states do not allow exclusions of incidental or consequential damages, so the above exclusions may not apply to you.** This warranty gives you specific legal rights, and you may also have other rights which vary from state to state.

Countries Other than the United States and Canada

Customers who have purchased Toro products exported from the United States or Canada should contact their Toro Distributor (Dealer) to obtain guarantee policies for your country, province, or state. If for any reason you are dissatisfied with your Distributor's service or have difficulty obtaining guarantee information, contact the Toro importer. If all other remedies fail, you may contact us at Toro Warranty Company.

Australian Consumer Law

Australian customers will find details relating to the Australian Consumer Law either inside the box or at your local Toro Dealer.

* Residential use means use of the product on the same lot as your home.

Part Number 374-0311 Rev. A



Souffleuse à neige Power Curve® 1500 avec Rallonge

Form No. 3397-149 Rev B

N° de modèle 38375—N° de série 316000001 et suivants

Manuel de l'utilisateur



Après avoir lu attentivement ce manuel, appelez notre numéro vert 1-800-808-2963 (États-Unis) ou 1-800-808-3072 (Canada) pour tout conseil ou renseignement supplémentaire, avant de renvoyer ce produit.

CONSIGNES DE SÉCURITÉ IMPORTANTES

L'utilisation d'un appareil électrique exige de prendre certaines précautions élémentaires, notamment :

LIRE TOUTES LES INSTRUCTIONS AVANT D'UTILISER CET APPAREIL

ATTENTION—Respectez ces consignes de sécurité pour réduire le risque d'incendie, d'électrocution ou de blessures.

Tout utilisateur de l'appareil doit impérativement lire et comprendre le contenu de ce manuel avant d'utiliser l'appareil. Faites particulièrement attention aux symboles de sécurité ▲ qui signifient PRUDENCE, ATTENTION ou DANGER et concernent la sécurité des personnes. Veillez à lire et bien comprendre ces directives car elles portent sur votre sécurité. **Ne pas les respecter, c'est risquer de vous blesser, de vous électrocuter ou de provoquer un incendie.**

Double isolation – Si le cordon d'alimentation est endommagé de quelque manière que ce soit alors qu'il est branché, débranchez la rallonge de la prise murale. Le cordon d'alimentation et le commutateur utilisés sur cet appareil ne sont pas remplaçables; l'équipement doit être mis au rebut.

N'utilisez pas l'appareil sur du gravier.

Tenez les enfants et les spectateurs à distance – Ne laissez approcher personne de la zone de travail.

Portez des vêtements adéquats – Ne portez pas de vêtements amples ou de bijoux pendants. Ils risquent de se prendre dans les pièces mobiles.

Portez des bottes en caoutchouc chaque fois que vous utilisez l'appareil.

L'utilisation de l'appareil roues décollées du sol est dangereuse.

Attention – Pour éviter tout risque d'électrocution, utilisez toujours une rallonge prévue pour l'utilisation extérieure.

Rallonges – Pour éviter que le cordon d'alimentation ne se débranche de la rallonge pendant l'utilisation, raccordez la rallonge à l'appareil comme illustré à la [Figure 4](#).

Évitez les démarrages accidentels – Ne posez pas les doigts sur l'interrupteur lorsque vous transportez l'appareil. Vérifiez que l'interrupteur est en position arrêt quand vous branchez l'appareil.

Ne maltraitez pas le cordon d'alimentation – Ne transportez jamais l'appareil par le cordon et ne tirez pas sur la rallonge pour l'appareil de la prise. Éloignez le cordon des surfaces chaudes, de la graisse et des arêtes vives.

N'approchez pas les mains des pièces en mouvement.

Les déflecteurs doivent toujours être en place et en bon état.

Ne forcez pas sur l'appareil – Vous obtiendrez des performances supérieures et plus sûres si vous l'utilisez à la vitesse pour laquelle il est prévu.

Ne travaillez pas trop loin devant vous – Gardez toujours les pieds bien posés à terre et faites en sorte de ne pas perdre l'équilibre.

Si l'appareil heurte un obstacle, procédez comme suit :

- Relâchez immédiatement la barre de commande pour arrêter l'appareil.
- Débranchez le cordon d'alimentation.
- Recherchez les dégâts éventuels.
- Effectuez les réparations nécessaires avant de remettre l'appareil en marche.

Débranchez l'appareil – Débranchez l'appareil du secteur lorsqu'il ne sert pas, avant tout entretien, avant de changer d'accessoire, etc.

Rangez l'appareil à l'intérieur lorsqu'il ne sert pas. Lorsque l'appareil ne sert pas, rangez-le toujours dans un local sûr et sec, hors de portée des enfants.

Gardez l'appareil en bon état – Suivez les instructions de changement des accessoires.

Cet appareil est conforme aux ou dépasse les spécifications de la norme B71.3 de l'American National Standards Institute en vigueur au moment de la production.

Lisez et assimilez le contenu de ce manuel avant de mettre le moteur en marche.

▲Voici le triangle de sécurité. Il signale les dangers potentiels susceptibles de causer des blessures. Respectez tous les messages de sécurité qui suivent ce symbole pour éviter des accidents, potentiellement mortels.

L'usage ou l'entretien incorrect de cet appareil peut occasionner des accidents, parfois mortels. Pour réduire les risques, respectez les consignes de sécurité suivantes.



Cet appareil peut sectionner les mains ou les pieds et projeter des objets. Le non-respect des consignes de sécurité qui suivent peut entraîner des accidents graves.

Apprendre à se servir de la machine

- Avant d'utiliser l'appareil, vous devez lire, comprendre et respecter toutes les instructions qui figurent sur l'appareil et dans le(s) manuel(s). Familiarisez-vous avec tous les commandes et l'utilisation correcte de l'appareil. Sachez comment arrêter l'appareil et débrayer les commandes rapidement.
- Ne laissez jamais un enfant utiliser l'appareil. Ne laissez personne utiliser l'appareil sans instructions adéquates.
- N'admettez personne dans la zone de travail, et surtout pas d'enfants.
- Faites attention de ne pas glisser ou tomber.

Avant d'utiliser la machine

- Inspectez soigneusement la zone de travail et enlevez tous les paillasons, traîneaux, planches, fils de fer ou autres objets qui s'y trouvent.
- Portez toujours des vêtements d'hiver adaptés quand vous utilisez la machine. Ne portez pas de vêtements amples qui risquent de s'accrocher dans les pièces mobiles. et des chaussures offrant une bonne prise sur les surfaces glissantes.
- N'essayez pas de déblayer les surfaces couvertes de cailloux ou de gravier. Cet appareil est uniquement destiné aux surfaces revêtues.
- N'entreprenez jamais de réglages lorsque le moteur est en marche, sauf si le fabricant le demande expressément.
- Portez toujours des lunettes de sécurité ou une protection oculaire pendant le travail, et lors de tout réglage ou toute réparation pour protéger vos yeux des objets pouvant être projetés par l'appareil.

Utilisation

- N'approchez pas les mains ni les pieds des pièces en rotation. Ne vous tenez jamais devant l'ouverture d'éjection.
- Soyez très prudent lorsque vous traversez ou déneigez des routes, trottoirs ou allées de gravier. Faites attention aux dangers cachés et à la circulation.
- Si l'appareil heurte un obstacle, arrêtez le moteur, débranchez la rallonge, enlevez la clé et vérifiez soigneusement si l'appareil est endommagé. Effectuez les réparations nécessaires avant de remettre l'appareil en marche.
- Si l'appareil se met à vibrer de façon anormale, arrêtez le moteur et cherchez-en immédiatement la cause. Les vibrations indiquent généralement la présence d'un problème.
- Arrêtez toujours le moteur, enlevez la clé et débranchez l'appareil avant de quitter la position de d'utilisation, de dégager le logement des lames de la fraise ou l'éjecteur, ou d'entreprendre des réglages, des contrôles ou des réparations.
- Avant de nettoyer, réparer ou contrôler l'appareil, arrêtez le moteur, enlevez la clé, débranchez l'appareil et attendez l'arrêt complet de la fraise et de toutes les pièces mobiles.

- Soyez extrêmement prudent sur un terrain en pente.
- N'utilisez pas l'appareil si tous les capots et autres dispositifs de protection appropriés ne sont pas en place et en bon état de marche.
- Ne dirigez jamais l'éjection vers des personnes ou des endroits qui pourraient subir des dommages matériels. Tenez les enfants et les animaux à distance.
- Ne surchargez pas l'appareil en essayant de déblayer trop vite.
- Regardez derrière vous et soyez très prudent lorsque vous faites marche arrière.
- N'utilisez jamais l'appareil à moins de disposer d'une visibilité et d'un éclairage suffisants. Veillez à ne pas perdre l'équilibre et tenez fermement le guidon. Marchez, ne courez pas.

Pour déboucher l'éjecteur

Le contact avec le rotor en marche à l'intérieur de l'éjecteur est une cause courante de blessures associées aux souffleuses à neige. N'utilisez jamais vos mains pour nettoyer l'éjecteur.

Pour déboucher l'éjecteur :

- **Arrêtez le moteur, enlevez la clé et débranchez la rallonge de l'appareil!**
- Attendez 10 secondes l'arrêt complet de la fraise.
- Nettoyez toujours la goulotte à l'aide d'un outil, jamais avec les mains.

Entretien et remisage

- Contrôlez fréquemment le serrage de toutes les fixations pour garantir le fonctionnement sûr de la machine.
- Suivez toujours les instructions de remisage du *Manuel de l'utilisateur* avant de remiser l'appareil pour une durée prolongée, afin de n'oublier aucune opération importante.
- Remplacez les autocollants d'instruction ou de sécurité manquants ou endommagés au besoin.
- Après avoir utilisé l'appareil, laissez-le tourner à vide quelques minutes pour éviter que la fraise ne soit bloquée par le gel.

CONSERVEZ CES INSTRUCTIONS

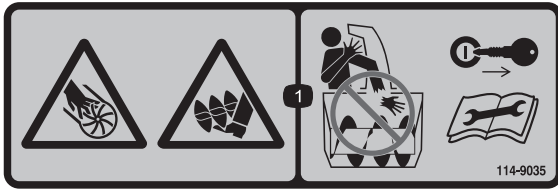
Autocollants de sécurité et d'instruction



Des autocollants de sécurité et des instructions bien visibles par l'opérateur sont placés près de tous les endroits potentiellement dangereux. Remplacez tout autocollant endommagé ou manquant.

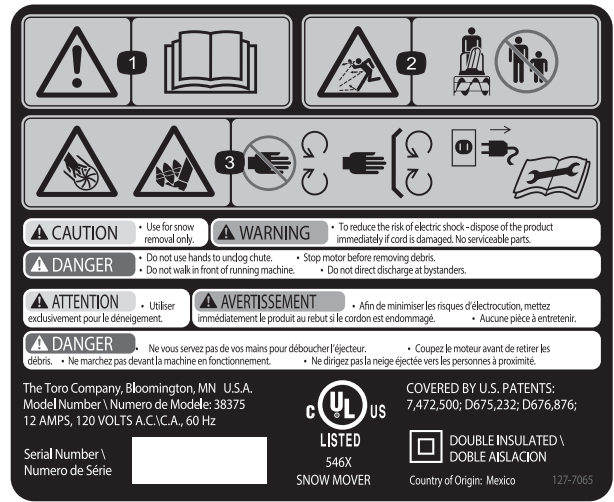


114-9034



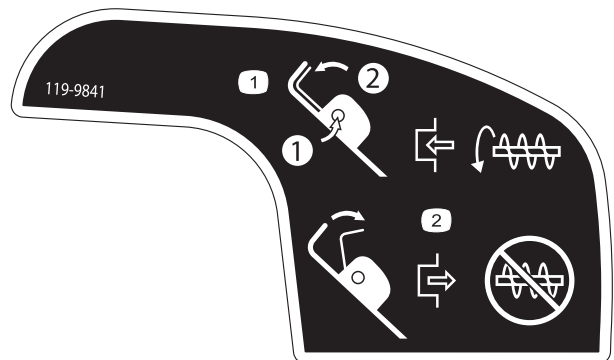
114-9035

1. Risque de mutilation par la turbine et la vis sans fin – ne placez pas les mains dans l'éjecteur, enlevez la clé de contact et lisez les instructions avant d'effectuer un entretien ou une révision.



127-7065

1. Attention – lisez le *Manuel de l'utilisateur*.
2. Risque de projection d'objets – tenez les spectateurs à bonne distance de la machine.
3. Risque de coupure/mutilation des mains par la turbine et risque de coupure/coincement des pieds par la fraise – ne vous approchez pas des pièces mobiles; gardez toutes les protections et tous les déflecteurs en place; débranchez la machine de la prise d'alimentation et lisez les instructions avant de procéder à des entretiens ou des révisions.



119-9841

1. 1) Appuyez sur le contacteur de sécurité;
2) Maintenez la poignée pour engager la rotation de la fraise.
2. Relâchez la poignée pour arrêter la rotation de la fraise.

Mise en service

Remarque: Les côtés gauche et droit de l'appareil sont déterminés d'après la position d'utilisation.

Montage de la partie supérieure du guidon

1. Retirez les boutons du guidon, les boulons ovales et les rondelles bombées de la partie inférieure du guidon.
2. Montez la partie supérieure du guidon sur la partie inférieure au moyen des boutons du guidon, des rondelles bombées et des boulons ovales, comme illustré à la [Figure 1](#).

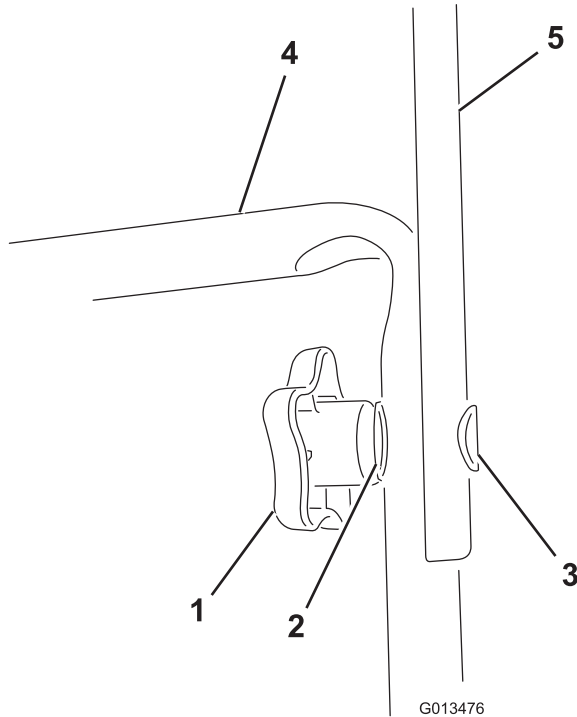


Figure 1

1. Bouton du guidon (2)
2. Rondelle bombée (2)
3. Boulon ovale (2)
4. Partie inférieure du guidon
5. Partie supérieure du guidon

Remarque: Vérifiez que le cordon d'alimentation fixé à l'appareil passe par dessus la partie inférieure du guidon et à l'intérieur du guidon assemblé.

3. Serrez solidement les boutons du guidon à la main.
4. Fixez le guide du cordon d'alimentation au guidon ([Figure 2](#)).

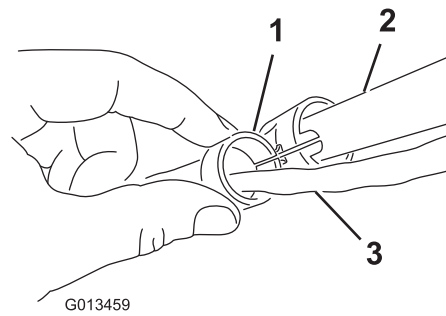


Figure 2

1. Guide du cordon d'alimentation
2. Guidon
3. Cordon d'alimentation

Utilisation

Vue d'ensemble du produit

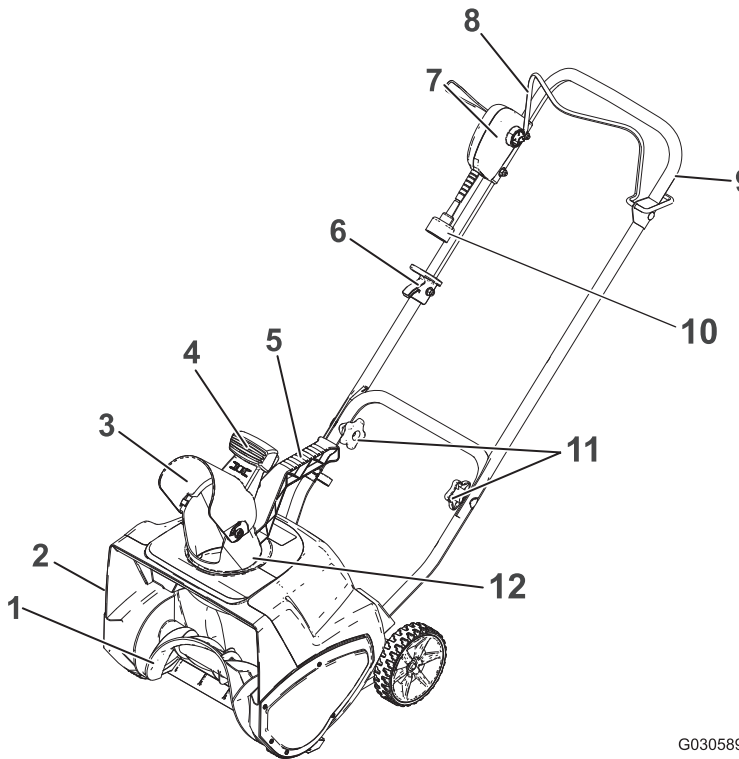


Figure 3

- | | |
|--|--------------------------------|
| 1. Pales de rotor | 7. Bouton de sécurité |
| 2. Couvercle de courroie (non représentée) | 8. Barre de commande |
| 3. Déflecteur d'éjecteur | 9. Partie supérieure du guidon |
| 4. Actionneur du déflecteur de goulotte | 10. Cordon d'alimentation |
| 5. Poignée de l'éjecteur | 11. Boutons de guidon |
| 6. Guide du cordon d'alimentation | 12. Poignée d'éjecteur |

Important: Cet appareil est uniquement destiné à l'usage domestique en extérieur. Ne l'utilisez pas à l'intérieur ni à des fins commerciales ou industrielles.

Raccordement à une source d'alimentation

Pour réduire les risques d'électrocution, la machine est munie d'une fiche polarisée (une broche plus large que l'autre). N'utilisez qu'une fiche polarisée, portée sur la liste UL (certifiée CSA au Canada) et prévue pour l'utilisation à l'extérieur. Une prise polarisée ne s'adapte à un cordon polarisé que d'une seule façon. Si la prise ne s'adapte pas parfaitement au cordon, inversez le cordon. Si le problème persiste, procurez-vous une rallonge polarisée. Si vous avez une rallonge polarisée et que sa fiche ne s'adapte pas à la prise murale, inversez la fiche. Si le problème persiste, demandez à un électricien qualifié d'installer une prise murale adéquate. Ne changez surtout pas la prise ni l'appareil.

⚠ DANGER

Un contact avec l'eau pendant l'utilisation de l'appareil peut causer des blessures ou la mort par électrocution.

- Ne manipulez pas l'appareil ou le connecteur si vous avez les mains mouillées ou les pieds dans l'eau.
- Utilisez uniquement une rallonge agréée prévue pour l'utilisation à l'extérieur à basse température.

Longueur de la rallonge	Calibre de fil minimum (A.W.G.)
30,5 m (100 pi)	14
46 m (150 pi)	12

Remarque: N'utilisez pas de rallonge de plus de 45,5 m (150 pi).

Important: Au cours de l'utilisation, vérifiez souvent que la gaine de la rallonge ne présente pas de perforations ou de fissures. N'utilisez pas le cordon d'alimentation s'il est endommagé. Ne faites pas passer le cordon dans des flaques d'eau ou de l'herbe détrempée.

Remarque: Pour éviter que la rallonge ne se débranche du cordon d'alimentation pendant l'utilisation, insérez la rallonge dans le dispositif de blocage (sur le cordon d'alimentation) avant de la brancher au cordon (Figure 4).

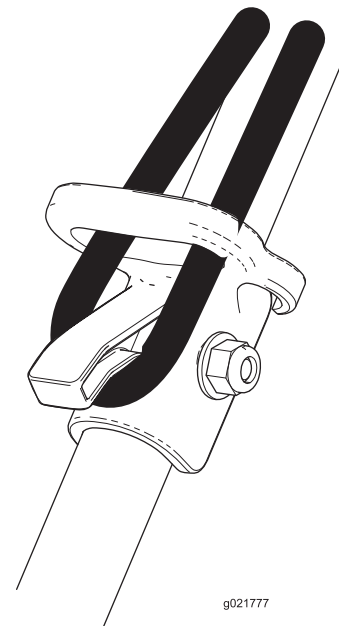


Figure 4

1. Dispositif de blocage du cordon d'alimentation

⚠ ATTENTION

Le cordon d'alimentation peut causer un choc électrique ou un incendie s'il est endommagé.

Examinez soigneusement le cordon d'alimentation avant d'utiliser l'appareil. Si la rallonge est endommagée, n'utilisez pas l'appareil. Le cordon d'alimentation ou l'interrupteur de cet appareil n'est pas remplaçable; l'appareil doit être mis au rebut.

Démarrage et arrêt du moteur

1. Pour démarrer le moteur, insérez la clé de sécurité et appuyez de manière prolongée dessus, puis serrez la barre de commande contre le guidon (Figure 5).

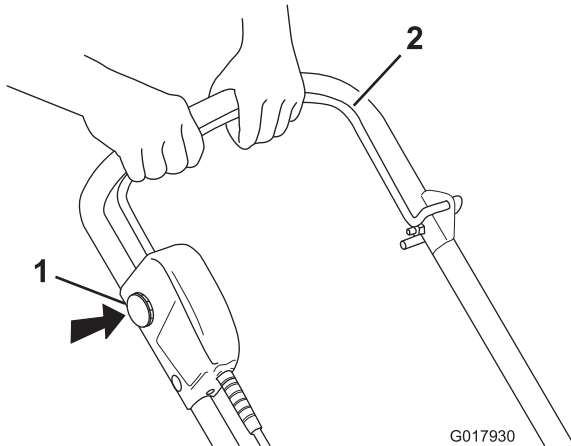


Figure 5

1. Clé de sécurité
2. Barre de commande

Remarque: Vous pouvez relâcher la clé de sécurité une fois que vous avez serré et maintenu la barre de commande contre le guidon.

2. Pour arrêter le moteur, relâchez la barre.

Remarque: Lorsque vous arrêtez l'appareil après avoir fini de déblayer la neige, enlevez la clé de sécurité et débranchez la rallonge.

Réglage de l'éjecteur et du déflecteur d'éjection

Pour régler la direction de l'éjection, déplacez la poignée sur l'éjecteur (Figure 6).

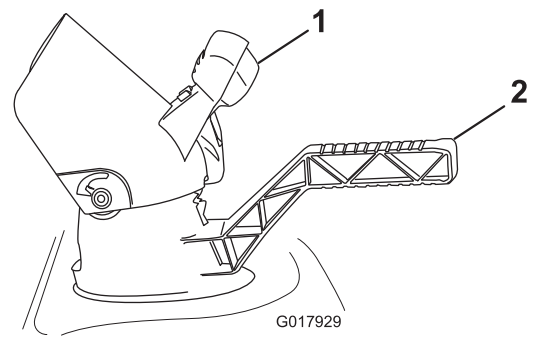


Figure 6

1. Actionneur de déflecteur d'éjection
2. Poignée de l'éjecteur

Pour régler la hauteur d'éjection de la neige, serrez la gâchette et relevez ou abaissez le déflecteur (Figure 6).

⚠ ATTENTION

Un espace entre l'éjecteur et le déflecteur peut laisser passer de la neige et n'importe quel objet ramassé par l'appareil, et les projeter en direction de l'utilisateur. Les débris projetés peuvent infliger des blessures graves.

- Ne poussez pas le déflecteur trop en avant pour éviter de créer un espace entre l'éjecteur et le déflecteur.
- Ne réglez pas le déflecteur quand la barre de commande est engagée. Relâchez la barre de commande avant de régler l'éjecteur.

Conseils d'utilisation

⚠ ATTENTION

Si l'appareil heurte un obstacle pendant l'utilisation, celui-ci risque d'être projeté en direction de l'utilisateur ou d'une personne à proximité. Les débris projetés peuvent infliger des blessures graves.

Ne laissez pas d'objets susceptibles d'être ramassés et projetés par les lames de la fraise dans la zone à déblayer.

- Vérifiez l'état de l'appareil avant de l'utiliser, afin de vérifier que la fraise tourne librement.
- Tenez les enfants et les animaux domestiques à l'écart de la zone de travail.
- Ne laissez pas de pierres, jouets ou autres objets susceptibles d'être ramassés et projetés par les pales de la fraise dans la zone à déblayer. Ils pourraient être recouverts par la neige et disparaître. Si l'appareil heurte un obstacle quelconque pendant l'utilisation, arrêtez-le, débranchez la rallonge, enlevez l'obstacle et vérifiez que l'appareil n'est pas endommagé.
- Commencez par déblayer la neige près de la prise murale et travaillez en avançant. Travaillez latéralement par rapport à la prise, et non d'arrière en avant.
- Lorsque vous arrivez au bout d'une bande, enjambez le cordon d'alimentation et faites demi-tour.
- Veillez à ce que les bandes déblayées se chevauchent et éjectez la neige dans le sens du vent de préférence.

⚠ ATTENTION

Lorsque vous utilisez la poignée de l'éjecteur, ne dirigez jamais l'éjecteur vers vous-même ou vers des personnes à proximité. L'appareil peut projeter des objets et causer de graves blessures.

Lorsque vous utilisez la poignée de l'éjecteur, tournez toujours l'éjecteur dans la direction opposée à celle où vous, ou toute autre personne, vous trouvez.

- Éloignez la rallonge des obstructions, des objets tranchants et des pièces mobiles. Ne tirez pas brutalement sur le cordon et ne le maltraitez pas d'une manière générale. Vérifiez fréquemment l'état de la rallonge, car elle présente un risque d'électrocution si elle est endommagée. Remplacez la rallonge si elle est endommagée.
- Lorsqu'il a neigé et par temps froid, certaines commandes et pièces mobiles peuvent être bloquées par le gel. Dans ce cas, arrêtez le moteur, débranchez la rallonge et recherchez les pièces bloquées. Ne forcez jamais les commandes pour les faire fonctionner lorsqu'elles sont gelées. Rentez l'appareil dans un local pour permettre aux commandes de dégeler avant l'utilisation.
- Lorsque vous travaillez, gardez les roues à 2,5 cm (1 po') du sol en basculant l'appareil en avant. Vous éviterez ainsi que la neige s'accumule sur les roues.
- Après utilisation de la machine, laissez le moteur tourner quelques minutes pour éviter que les pièces en mouvement ne soient bloquées par le gel. Puis arrêtez le moteur, attendez l'arrêt de toutes les pièces mobiles et enlevez la glace et la neige qui se trouvent sur l'appareil. Tournez plusieurs fois la manivelle de l'éjecteur pour faire tomber la neige.

Entretien

Remarque: Les côtés gauche et droit de l'appareil sont déterminés d'après la position d'utilisation.

⚠ ATTENTION

Si la rallonge est branchée à l'appareil, ce dernier peut être mis en marche accidentellement pendant l'entretien et causer de graves blessures.

Enlevez la clé et débranchez la rallonge avant d'effectuer l'entretien de l'appareil.

Graissage de l'appareil

L'appareil ne nécessite aucun graissage, car tous les roulements sont lubrifiés à vie en usine.

Remplacement de la lame racleuse

La lame racleuse est située au bas du carter de fraise, comme illustré à la [Figure 7](#).

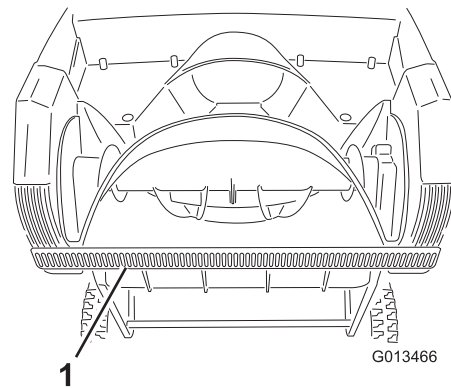


Figure 7

1. lame racleuse

1. Retirez la vis de chaque plaque latérale de fixation de la lame racleuse ([Figure 8](#)) et les 2 vis situées sous l'appareil ([Figure 9](#)) qui fixent la lame racleuse à l'appareil.

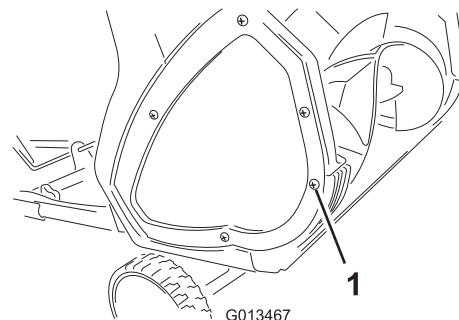
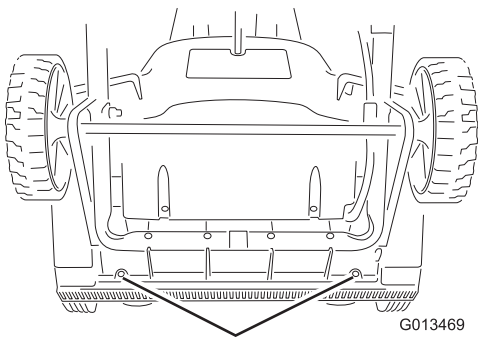


Figure 8

1. Vis (2)



1
Figure 9

1. Vis
-
2. Déposez la lame racleuse et mettez-la au rebut.
 3. Montez la lame racleuse neuve et fixez-la solidement avec les 4 vis retirées précédemment.

Remplacement de la fraise

1. Retirez les vis qui fixent la plaque latérale droite au cadre de l'appareil (Figure 10).

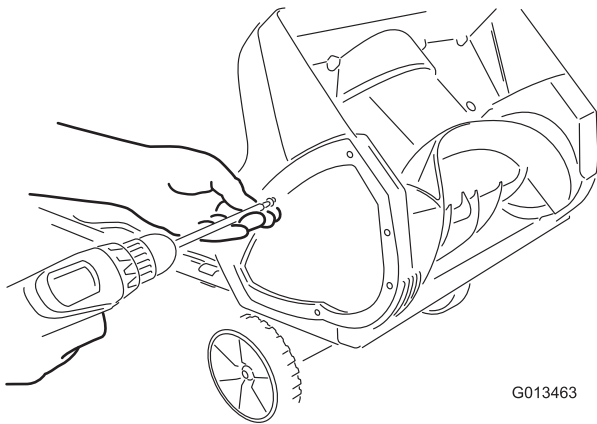


Figure 10

2. Retirez l'axe de la fraise (Figure 11).

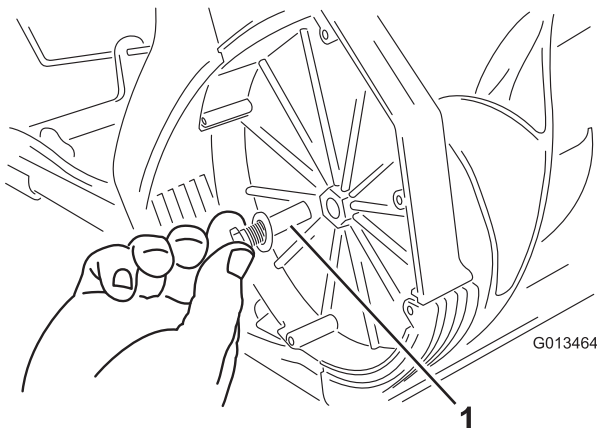


Figure 11

1. Axe de fraise
-

3. Déposez la fraise usagée.

4. Montez la fraise neuve en insérant son extrémité sur l'extrémité ajustée du carter, et tournez la fraise jusqu'à ce qu'elle s'enclenche en position (Figure 12).

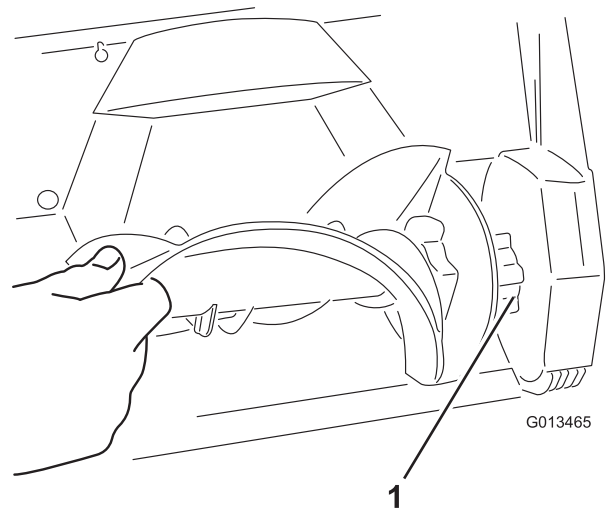


Figure 12

1. Extrémité ajustée de la fraise
-

Remarque: Vérifiez que l'écrou qui fixe l'axe de la fraise reste à l'intérieur du trou en retrait dans la paroi intérieure droite du carter.


Remarque: Le carter fléchit lors de l'installation de la fraise.

5. Serrez le boulon sur le côté du carter.
6. Fixez la plaque latérale droite avec les vis retirées à l'étape 1.

Entretien

Toro a conçu cet appareil pour vous offrir des années de bons et loyaux services. Lorsqu'un entretien est nécessaire, confiez l'appareil à un réparateur Toro agréé. Celui-ci possède les compétences nécessaires pour réparer les produits Toro et saura maintenir l'intégrité de votre produit Toro.

Appareils à double isolation

Ce type d'appareil dispose de deux systèmes d'isolation au lieu d'une mise à la terre. Aucun dispositif de mise à la terre n'est prévu sur un appareil à double isolation et aucun ne doit lui être ajouté. L'entretien d'un appareil à double isolation est délicat et exige de bien connaître le système. Pour cette raison, n'en confiez l'entretien qu'au personnel qualifié d'un réparateur Toro agréé. Les pièces de rechange d'un appareil à double isolation doivent être identiques aux pièces d'origine. Les appareils à double isolation portent les mots « Double Insulation » ou « Double Insulated » (« Double isolation » ou « Doublement isolé »). Le symbole (un carré entouré d'un carré)  est parfois utilisé également.

Informations sur le produit

Un autocollant portant les numéros de modèle et de série est collé sur le carter. Indiquez toujours les numéros figurant sur l'autocollant dans toute correspondance et lors de la commande de pièces détachées.

Remisage

1. Faites fonctionner l'appareil pendant quelques minutes et essuyez la neige fondue qui reste dessus.
2. Enlevez la clé et débranchez la rallonge de l'appareil.
3. Vérifiez soigneusement l'état de la rallonge. Remplacez-la si elle est usée ou endommagée.
4. Vérifiez minutieusement que l'appareil ne présente aucune pièce usée, desserrée ou endommagée. Adressez-vous à un réparateur agréé pour faire remplacer ou réparer les pièces.
5. Rangez la rallonge avec l'appareil.
6. Remisez l'appareil dans un local propre et sec.

La promesse de Toro – Produits électriques

Une garantie intégrale de deux ans pour usage domestique valable aux États-Unis et au Canada.

The Toro Company Company et sa filiale, The Toro Company Warranty Company, en vertu d'un accord mutuel, s'engagent conjointement à réparer le produit utilisé à des fins résidentielles normales s'il présente un défaut de fabrication, pendant une période de deux ans à dater de l'achat.*

Si vous pensez que votre produit Toro présente un vice de matériau ou de fabrication, si vous avez besoins de conseils ou de renseignements, et avant de renvoyer ce produit, appelez gratuitement le numéro suivant :

Débroussailleuse :

1-800-237-2654 (États-Unis)
1-800-248-3258 (Canada)

Souffleurs :

1-888-367-6631 (États-Unis)
1-888-430-1687 (Canada)

Souffleuses à neige :

1-800-808-2963 (États-Unis)
1-800-808-3072 (Canada)

Pour recevoir un appareil de rechange ou réparé, suivant notre choix, renvoyez l'appareil au complet au vendeur. Aux États-Unis et au Canada, le produit peut être renvoyé, accompagné d'une preuve d'achat, à n'importe quel dépositaire-réparateur agréé. Les clients américains peuvent aussi renvoyer leur produit, accompagné d'une preuve d'achat, port payé, à : Toro Service Center, 5500 SE Delaware, Ankeny, IA 50021, États-Unis.

Cette garantie couvre les défauts de produit uniquement. **The Toro Company et The Toro Company Warranty déclinent toute responsabilité en cas de dommages secondaires ou indirects liés à l'utilisation des produits Toro couverts par cette garantie, notamment quant aux coûts et dépenses encourus pour se procurer un équipement ou un service de substitution durant une période raisonnable pour cause de défaillance ou d'indisponibilité en attendant la réparation sous garantie. L'exclusion de la garantie des dommages secondaires ou indirects n'est pas autorisée dans certains états ou pays, et peut donc ne pas s'appliquer dans votre cas.** Cette garantie vous accorde des droits spécifiques, auxquels peuvent s'ajouter d'autres droits qui varient selon les états.

Autres pays que les États-Unis et le Canada

Pour les produits Toro exportés des États-Unis ou du Canada, demandez à votre distributeur (dépositaire) Toro la police de garantie applicable dans votre pays, région ou état. Si, pour une raison quelconque, vous n'êtes pas satisfait des services de votre distributeur, ou si vous avez du mal à vous procurer les informations de garantie, adressez-vous à l'importateur Toro. En dernier recours, adressez-vous à Toro Warranty Company.

Droits des consommateurs australiens

Les clients australiens trouveront les détails relatifs aux droits des consommateurs australiens à l'intérieur du carton ou auprès de leur dépositaire Toro local.

* L'usage résidentiel normal désigne l'utilisation du produit sur le terrain où se trouve votre domicile.

Réf. 374-0311 Rév. A

Remarques:



Count on it.