



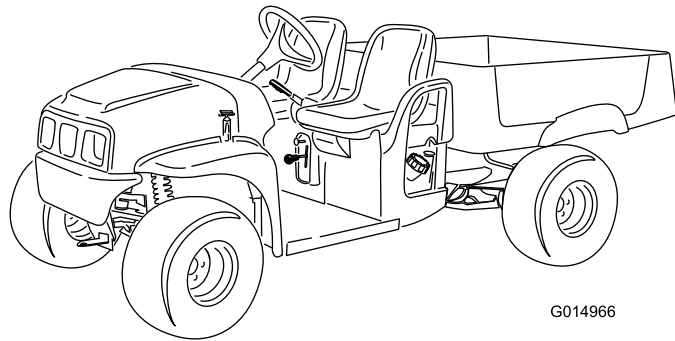
Count on it.

Operator's Manual

Workman® MDX-D Utility Vehicle

Model No. 07359—Serial No. 315000001 and Up

Model No. 07359TC—Serial No. 315000001 and Up



G014966



This product complies with all relevant European directives; for details, please see the separate product specific Declaration of Conformity (DOC) sheet.

⚠ WARNING

CALIFORNIA Proposition 65 Warning

This product contains a chemical or chemicals known to the State of California to cause cancer, birth defects, or reproductive harm.

Diesel engine exhaust and some of its constituents are known to the State of California to cause cancer, birth defects, and other reproductive harm.

Important: This engine is not equipped with a spark arrester muffler. It is a violation of California Public Resource Code Section 4442 to use or operate the engine on any forest-covered, brush-covered, or grass-covered land. Other states or federal areas may have similar laws.

The enclosed *Engine Owner's Manual* is supplied for information regarding the US Environmental Protection Agency (EPA) and the California Emission Control Regulation of emission systems, maintenance, and warranty. Replacements may be ordered through the engine manufacturer.

Introduction

The machine is designed primarily as an off-road vehicle and is not intended for extensive use on public roads. When using the machine on public roads, follow all traffic regulations and use any additional accessories that may be required by law, such as lights, turn signals, slow moving vehicle (SMV) sign, and others as required.

This machine is a utility vehicle intended to be used by professional, hired operators in commercial applications. It is primarily designed for the transport of implements used in such applications. This vehicle allows for the safe transport of an operator and one passenger in the identified seats. The bed of this vehicle is not suitable for any riders.

Read this information carefully to learn how to operate and maintain your product properly and to avoid injury and product damage. You are responsible for operating the product properly and safely.

You may contact Toro directly at www.Toro.com for product and accessory information, help finding a dealer, or to register your product.

Whenever you need service, genuine Toro parts, or additional information, contact an Authorized Service Dealer or Toro

Customer Service and have the model and serial numbers of your product ready. **Figure 1** identifies the location of the model and serial numbers on the product. Write the numbers in the space provided.

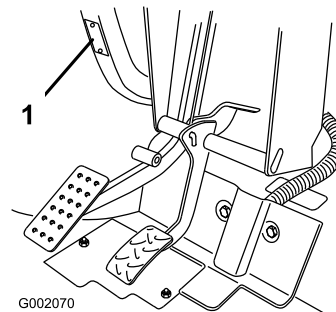


Figure 1

1. Model and serial number location

Model No. _____

Serial No. _____

This manual identifies potential hazards and has safety messages identified by the safety alert symbol (**Figure 2**), which signals a hazard that may cause serious injury or death if you do not follow the recommended precautions.



Figure 2

1. Safety alert symbol

This manual uses 2 words to highlight information.

Important calls attention to special mechanical information and **Note** emphasizes general information worthy of special attention.

Contents

Safety	4	Electrical System Maintenance	33
Safe Operating Practices	4	Servicing the Battery	33
Before Operating	4	Replacing the Fuses	35
Supervisor's Responsibilities	5	Maintaining the Headlights	35
Safe Handling of Fuels	5	Drive System Maintenance	37
Operation	5	Maintaining the Tires	37
Maintenance	7	Adjusting the Front Wheel Toe-in and Camber	37
Hauling	7	Checking the Transaxle Oil Level	38
Sound Power	8	Changing the Transaxle Oil	39
Sound Pressure	8	Checking and Adjusting the Neutral Position	39
Hand-Arm Vibration	8	Inspecting the Primary Drive Clutch	40
Whole Body Vibration	8	Maintaining the Primary Drive Clutch	40
Safety and Instructional Decals	9	Cooling System Maintenance	41
Setup	11	Cleaning the Engine Cooling Areas	41
1 Installing the Steering Wheel	12	Filling the Radiator	41
2 Checking the Fluid Levels and Tire Air Pressure	12	Brake Maintenance	42
3 Reading the Manual and Viewing the Safety Training Material	12	Inspecting the Brakes	42
Product Overview	13	Adjusting the Parking-Brake Handle	42
Controls	13	Adjusting the Brake Cables	43
Specifications	16	Changing the Brake Fluid	43
Attachments/Accessories	16	Belt Maintenance	44
Operation	17	Servicing the Drive Belt	44
Think Safety First	17	Replacing the Drive Belt	44
Operating the Cargo Box	17	Checking the Belt-pull Bumper	44
Performing Pre-Starting Checks	18	Chassis Maintenance	45
Checking the Brake Fluid Level	19	Adjusting the Cargo-box Latches	45
Checking the Engine-Oil Level	19	Cleaning	45
Checking the Tire Air Pressure	20	Washing the Vehicle	45
Adding Fuel	20	Storage	46
Starting the Engine	21		
Stopping the Machine	21		
Parking the Machine	21		
Breaking in a New Machine	22		
Loading the Cargo Box	22		
Transporting the Vehicle	23		
Towing the Machine	23		
Towing a Trailer	23		
Maintenance	24		
Recommended Maintenance Schedule(s)	24		
Daily Maintenance Checklist	25		
Pre-maintenance Procedures	26		
Maintaining the Vehicle under Special Operating Conditions	26		
Lifting the Machine	26		
Accessing the Hood	26		
Lubrication	27		
Greasing the Machine	27		
Greasing the Front Wheel Bearings	28		
Engine Maintenance	30		
Servicing the Air Cleaner	30		
Servicing the Engine Oil	31		
Fuel System Maintenance	33		
Inspecting Fuel Lines and Connections	33		
Replacing the Fuel Filter	33		

Safety

Improper use or maintenance by the operator or owner can result in injury. To reduce the potential for injury, comply with these safety instructions and always pay attention to the safety alert symbol, which means **Caution, Warning, or Danger**—“personal safety instruction.” Failure to comply with the instruction may result in personal injury or death.

The machine meets the requirements of SAE J2258.

Safe Operating Practices

Important: The machine is designed primarily as an off-road vehicle and is not intended for extensive use on public roads. When using the machine on public roads, follow all traffic regulations and use any additional accessories that may be required by law, such as lights, turn signals, slow moving vehicle (SMV) sign, and others as required.

The Workman was designed and tested to offer safe service when operated and maintained properly. Although hazard control and accident prevention partially are dependent upon the design and configuration of the machine, these factors are also dependent upon the awareness, concern, and proper training of the personnel involved in the operation, maintenance and storage of the machine. Improper use or maintenance of the machine can result in injury or death.

This is a specialized utility vehicle designed for off-road use only. Its ride and handling will have a different feel than what drivers experience with passenger cars or trucks. So take time to become familiar with your Workman.

Not all of the attachments that adapt to the Workman are covered in this manual. See the specific *Operator's Manual* provided with each attachment for additional safety instructions. **Read these manuals.**

To reduce the potential for injury or death, comply with the following safety instructions:

Before Operating

- Operate the machine only after reading and understanding the contents of this manual. A replacement manual is available by sending complete model and serial number to: The Toro® Company, 8111 Lyndale Avenue South, Minneapolis, Minnesota 55420.
- Never allow children to operate the machine. Anyone who operates the machine should have a motor vehicle license.
- Never allow other adults to operate the machine without first reading and understanding the *Operator's Manual*. Only trained and authorized persons should operate this machine. Make sure that all operators are physically and mentally capable of operating the machine.

- This machine is designed to carry **only you**, the operator, and **one passenger** in the seat provided by the manufacturer. **Never** carry any other passengers on the vehicle.
- Become familiar with the controls and know how to stop the engine quickly.
- **Never** operate the machine when under the influence of drugs or alcohol. Even prescription drugs and cold medicines can cause drowsiness.
- Do not drive the machine when you are tired. Be sure to take occasional breaks. It is very important that you stay alert at all times.
- Always wear substantial shoes. Do not operate the machine while wearing sandals, tennis shoes, or sneakers. Do not wear loose fitting clothing or jewelry which could get caught in moving parts and cause personal injury.
- Wearing safety glasses, safety shoes, long pants, and a helmet is advisable and required by some local safety and insurance regulations.
- **Never** allow children to operate the machine. **Never** allow adults to operate it without proper instructions. Only trained and authorized persons should operate this machine. Make sure all operators are physically and mentally capable of operating the machine.
- Keep everyone, especially children and pets, away from the areas of operation.
- Check the safety interlock system daily for proper operation. If a switch should malfunction, replace the switch before operating machine.
- Keep all shields, safety devices and decals in place. If a shield, safety device or decal is malfunctioning, illegible, or damaged, repair or replace it before operating the machine.
- Avoid driving when it is dark, especially in unfamiliar areas. If you must drive when it is dark, be sure to drive cautiously, use the headlights, and even consider adding additional lights.
- Before operating the vehicle, always check all parts of the vehicle and any attachments. If something is wrong, **stop using vehicle**. Make sure the problem is corrected before vehicle or attachment is operated again.
- Use only an approved nonmetal, portable fuel container. Static electric discharge can ignite fuel vapors in a fuel container that is not grounded. Remove the fuel container from the bed of the machine and place it on the ground and away from the vehicle before filling. Keep the nozzle in contact with the container while filling the fuel container. Remove equipment from bed of the machine before fueling it.
- Operate the machine only outdoors or in a well ventilated area.

Supervisor's Responsibilities

- Make sure operators are thoroughly trained and familiar with the *Operator's Manual* and all labels on the vehicle.
- Be sure to establish your own special procedures and work rules for unusual operating conditions (e.g. slopes too steep for the safe operation of the machine).

Safe Handling of Fuels

- To avoid personal injury or property damage, use extreme care in handling fuel. Diesel fuel is extremely flammable and the vapors are explosive.
- Extinguish all cigarettes, cigars, pipes, and other sources of ignition.
- Use only an approved fuel container.
- Never remove fuel cap or add fuel with the engine running.
- Allow engine to cool before refueling.
- Never refuel the machine indoors.
- Never store the machine or fuel container where there is an open flame, spark, or pilot light such as on a water heater or on other appliances.
- Never fill containers inside a vehicle or on a truck or trailer bed with a plastic liner. Always place containers on the ground away from your vehicle before filling.
- Remove equipment from the truck or trailer and refuel it on the ground. If this is not possible, then refuel such equipment with a portable container, rather than from a fuel dispenser nozzle.
- Keep the nozzle in contact with the rim of the fuel tank or container opening at all times until fueling is complete. Do not use a nozzle lock open device.
- If fuel is spilled on clothing, change clothing immediately.
- Never overfill fuel tank. Replace fuel cap and tighten securely.

Operation

- The operator and passenger should remain seated and use the seat belts whenever the vehicle is in motion. The operator should keep both hands on the steering wheel, whenever possible, and the passenger should use the hand holds provided. Keep arms and legs within the vehicle body at all times. Never carry passengers in the box or on attachments. Remember your passenger may not be expecting you to brake or turn and may not be ready.
- Never overload your vehicle. The name plate (located under the middle of the dash) shows the load limits for the vehicle. Never overfill attachments or exceed the vehicle maximum gross vehicle weight (GVW).
- When starting the engine:
 - Sit on operator's seat and ensure that the parking brake is engaged.
 - Keep your foot on the brake.

- Turn ignition switch to the On position. When the glow plug indicator goes off, the engine is ready to start.
- Turn the ignition key to the Start position.
- Using the machine demands attention. Failure to operate machine safely may result in an accident, tip over of the machine, and serious injury or death. Drive carefully. To prevent tipping or loss of control, take the following precautions:
 - Use extreme caution, reduce speed, and maintain a safe distance around sand traps, ditches, creeks, ramps, any unfamiliar areas, or other hazards.
 - Watch for holes or other hidden hazards.
 - Use caution when operating the vehicle on a steep slope. Normally, travel straight up and down slopes. Reduce speed when making sharp turns or when turning on hillsides. Avoid turning on hillsides whenever possible.
 - Use extra caution when operating the machine on wet surfaces, at higher speeds, or with a full load. Stopping time will increase with a full load.
 - When loading the bed, distribute the load evenly. Use extra caution if the load exceeds the dimensions of the vehicle/bed. Operate the machine with extra caution when handling off-center loads that cannot be centered. Keep loads balanced and secure to prevent them from shifting.
 - Avoid sudden stops and starts. Do not go from reverse to forward or forward to reverse without first coming to a complete stop.
 - Do not attempt sharp turns or abrupt maneuvers or other unsafe driving actions that may cause a loss of control of the machine.
 - Do not pass another machine traveling in the same direction at intersections, blind spots, or at other dangerous locations.
 - When dumping, do not let anyone stand behind machine and do not dump the load on anyone's feet. Release the tailgate latches from the side of box, not from behind.
 - Keep all bystanders away. Before backing up, look to the rear and ensure that no one is behind the vehicle. Back up slowly.
 - Watch out for traffic when near or crossing roads. Always yield the right of way to pedestrians and other vehicles. Always signal your turns or stop early enough so other persons know what you plan to do. Obey all traffic rules and regulations.
 - Never operate the machine in or near an area where there is dust or fumes in the air which are explosive. The electrical and exhaust systems of the machine can produce sparks capable of igniting explosive materials.
 - Always watch out for and avoid low overhangs such as tree limbs, door jambs, over head walkways, etc.

Make sure there is enough room over head to easily clear the machine and your head.

- If you are ever unsure about the safe operation of the machine, **stop your work** and ask your supervisor.
- Before getting off the seat:
 - Stop movement of the machine.
 - Lower bed.
 - Shut engine off and wait for all movement to stop.
 - Set parking brake.
 - Remove key from ignition.
- Do not touch engine, transmission, radiator, muffler or muffler manifold while engine is running or soon after it has stopped because these areas may be hot enough to cause burns.
- If the machine ever vibrates abnormally, stop the machine immediately, turn engine off, wait for all motion to stop and inspect for damage. Repair all damage before resuming operation.
- Lightning can cause severe injury or death. If lightning is seen or thunder is heard in the area, do not operate the machine; seek shelter.

Braking

- Slow down before you approach an obstacle. This gives you extra time to stop or turn away. Hitting an obstacle can injure you and your passenger. In addition, it can damage the machine and its contents.
- Gross vehicle weight (GVW) has a major impact on your ability to stop and/or turn. Heavy loads and attachments make the machine harder to stop or turn. The heavier the load, the longer it takes to stop. Refer to [Loading the Cargo Box \(page 22\)](#) for more information.
- Decrease the speed of the machine if the cargo box has been removed and there is no attachment installed on the machine. The braking characteristics change and fast stops may cause the rear wheels to lock up, which will affect the control of the machine.
- Turf and pavement are much more slippery when they are wet. It can take 2 to 4 times longer to stop the machine on wet surfaces as on dry surfaces. If you drive through deep-standing water and get the brakes wet, they will not work well until they are dry. After driving through water, you should test the brakes to make sure they work properly. If they do not, drive slowly on a level ground while putting light pressure on the brake pedal. This will dry the brakes out.

Operating on Hills

WARNING

Operating the machine on a hill may cause tipping or rolling of the machine, or the engine may stall and you could lose headway on the hill. This could result in personal injury.

- **Do not operate machine on excessively steep slopes.**
- **Do not accelerate quickly or slam on the brakes when backing down a hill, especially with a load.**
- **If the engine stalls or you lose headway on a hill, slowly back straight down the hill. Never attempt to turn the machine around.**
- **Operate the machine slowly on a hill and use caution.**
- **Avoid turning on a hill.**
- **Reduce your load and the speed of the machine.**
- **Avoid stopping on hills, especially with a load.**

These extra cautions need to be taken when operating the machine on a hill:

- Slow the machine down before starting up or down a hill.
- If the engine stalls or you begin to lose momentum while climbing a hill, gradually apply the brakes and slowly back the machine straight down the hill.
- Turning while traveling up or down hills can be dangerous. If you have to turn while on a hill, do it slowly and cautiously. Never make sharp or fast turns.
- Heavy loads affect stability. Reduce the weight of the load and your ground speed when operating on hills or if the load has a high center of gravity. Secure the load to the cargo box of the machine to prevent the load from shifting. Take extra care when hauling loads that shift easily (liquid, rock, sand, etc.).
- Avoid stopping on hills, especially with a load. Stopping while going down a hill will take longer than stopping on level ground. If the machine must be stopped, avoid sudden speed changes, which may initiate tipping or rolling of the machine. Do not slam on the brakes when rolling backward, as this may cause the machine to overturn.
- If you will be using the machine on hilly terrain, you can install the optional ROPS Kit.

Operating on Rough Terrain

▲ WARNING

Sudden changes in terrain may cause abrupt steering wheel movement, possibly resulting in hand and arm injuries.

- Reduce your speed when operating on rough terrain and near curbs.
- Grip the steering wheel loosely around the perimeter keeping thumbs up and out of the way of the steering wheel spokes.

Reduce the ground speed of the machine and load carried in the machine when operating on rough terrain, uneven ground, and near curbs, holes, and other sudden changes in terrain. Loads may shift, causing the machine to become unstable.

If you will be using the machine on rough terrain, you can install the optional ROPS Kit.

Loading and Dumping

▲ WARNING

The weight of the box may be heavy. Hands or other body parts could be crushed.

- Keep hands and other body parts clear when lowering the box.
- Do not dump materials on bystanders.
- Do not exceed the rated weight capacity of the machine when operating it with a load in the cargo box, when towing a trailer, or both; refer to [Specifications \(page 16\)](#).
- Use caution when operating the machine on a hillside or on rough terrain, particularly with a load in the cargo box or when towing a trailer or both.
- Use caution when carrying tall loads in the cargo box.
- Be aware that the stability and control of the machine are reduced when the load in the cargo box is poorly distributed.
- Carrying oversized loads in the cargo box changes the stability of the machine.
- The steering, braking, and stability of the machine are affected when carrying a load where the weight of the material cannot be bound to the machine such as the liquid in a large tank.
- Never dump a loaded cargo box while the machine is sideways on a hill. The change in weight distribution may cause the machine to overturn.
- When operating with a heavy load in the cargo box, reduce your speed and allow for sufficient braking distance. Do not suddenly apply the brakes. Use extra caution on slopes.

- Be aware that heavy loads increase your stopping distance and reduce your ability to turn quickly without tipping over.
- The rear cargo space is intended for load carrying purposes only, not for passengers.
- Never overload your machine. The name plate (located under the middle of the dash) shows the load limits for the machine. Never overfill attachments or exceed the machine maximum gross machine weight (GVW); refer to [Loading the Cargo Box \(page 22\)](#).

Maintenance

- Before servicing or making adjustments to the machine, move the machine to a level surface, stop the engine, set the parking brake, and remove the key from ignition to prevent accidental starting of the engine.
- To make sure the entire machine is in good condition, keep all nuts, bolts, and screws properly tightened.
- To reduce the potential fire hazard, keep the engine area free of excessive grease, grass, leaves, and accumulation of dirt.
- If the engine must be running to perform a maintenance adjustment, keep hands, feet, clothing, and any parts of the body away from the engine and any moving parts. Keep everyone away.
- Do not overspeed the engine by changing the governor settings. The maximum engine speed is 3650 rpm. To ensure safety and accuracy, have an Authorized Toro Distributor check the maximum engine speed with a tachometer.
- If major repairs are ever needed or assistance is required, contact an Authorized Toro Distributor.
- To be sure of optimum performance and safety, always purchase genuine Toro replacement parts and accessories. Replacement parts and accessories made by other manufacturers could be dangerous. Altering this machine in any manner may affect the operation, performance, durability of the machine, or its use may result in injury or death. Such use could void the product warranty of The Toro® Company.
- This machine should not be modified without authorization from The Toro® Company. Direct any inquiries to The Toro® Company, Commercial Division, Vehicle Engineering Dept., 8111 Lyndale Ave. So., Bloomington, Minnesota 55420–1196 USA.

Hauling

- Use care when loading or unloading the machine into a trailer or truck.
- Use full width ramps for loading machine into trailer or truck.
- Tie the machine down securely using straps, chains, cable, or ropes. Both front and rear straps should be directed down and outward from the machine.

Sound Power

This unit has a guaranteed sound power level of 98 dBA, which includes an Uncertainty Value (K) of 1 dBA.

Sound power level was determined according to the procedures outlined in EN ISO 11094.

Sound Pressure

This unit has a sound pressure level at the operator's ear of 85 dBA, which includes an Uncertainty Value (K) of 1 dBA.

Sound pressure level was determined according to the procedures outlined in EN ISO 11201.

Hand-Arm Vibration

Measured vibration level for right hand = 1.25 m/s²

Measured vibration level for left hand = 1.36 m/s²

Uncertainty Value (K) = 0.68 m/s²

Measured values were determined according to the procedures outlined in EN 1032.

Whole Body Vibration

Measured vibration level = 0.35 m/s²

Uncertainty Value (K) = 0.17 m/s²

Measured values were determined according to the procedures outlined in EN 1032.

Safety and Instructional Decals



Safety decals and instructions are easily visible to the operator and are located near any area of potential danger. Replace any decal that is damaged or lost.



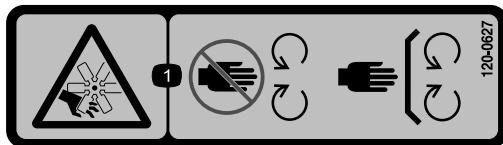
104-6581

1. Warning—read the *Operator's Manual*.
2. Fire hazard—before fueling, stop the engine.
3. Warning—do not operate this machine unless you are trained.
4. Tipping hazard—use caution and drive slowly while on slopes; drive slowly when turning, keep the vehicle speed under 16 MPH (26 km/h) when carrying a full or heavy load and when driving on rough terrain.
5. Falling and arm/leg injury hazards—do not carry passengers in the cargo bed and keep arms and legs inside of the vehicle at all times.



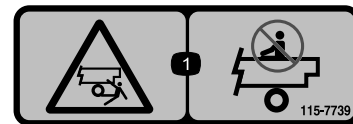
119-9727

- | | |
|--------------------------------------------------------------------------------------------------------------------------------------------------------------------------------|------------------------------------------------------------------------------------------------------------------------------------------------------------------------------------------------------------------------------------------------------------------------------------------------------------------------------------------------------------------------|
| <ol style="list-style-type: none"> 1. Horn 2. Hour meter 3. Headlights 4. Engine—stop 5. Engine—on 6. Engine—start | <ol style="list-style-type: none"> 7. Power point 8. Warning—read the <i>Operator's Manual</i>. 9. Collision hazard—do not operate the vehicle on public streets, roads, or highways. 10. Falling hazard—do not carry passengers in the cargo bed. 11. Falling hazard—do not allow children to operate the vehicle. |
|--------------------------------------------------------------------------------------------------------------------------------------------------------------------------------|------------------------------------------------------------------------------------------------------------------------------------------------------------------------------------------------------------------------------------------------------------------------------------------------------------------------------------------------------------------------|



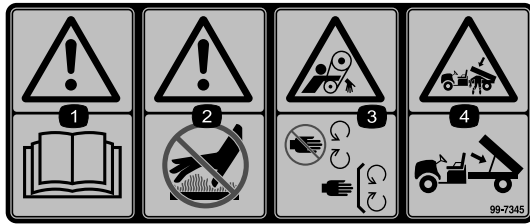
120-0627

1. Cutting/dismemberment hazard, fan—stay away from moving parts, keep all guards and shields in place.



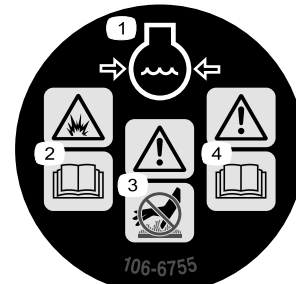
115-7739

1. Falling, crushing hazard, bystanders—no riders on machine.



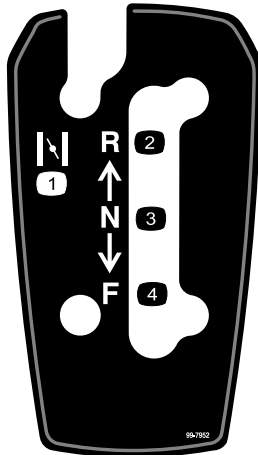
99-7345

1. Warning—read the *Operator's Manual*.
2. Hot surface/burn hazard—stay a safe distance from the hot surface.
3. Entanglement hazard, belt—stay away from moving parts; keep all guards in place.
4. Crushing hazard, cargo box—use the prop rod to support the cargo bed



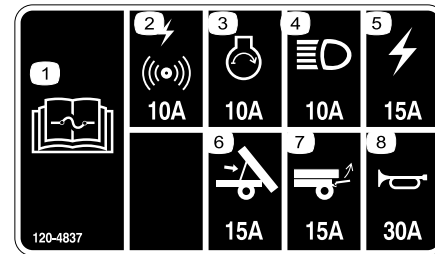
106-6755

1. Engine coolant under pressure.
2. Explosion hazard—read the *Operator's Manual*.
3. Warning—do not touch the hot surface.
4. Warning—read the *Operator's Manual*.



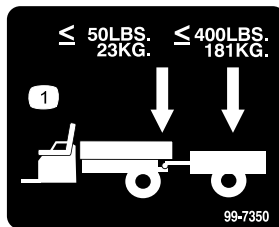
99-7952

1. Choke
2. Reverse
3. Neutral
4. Forward



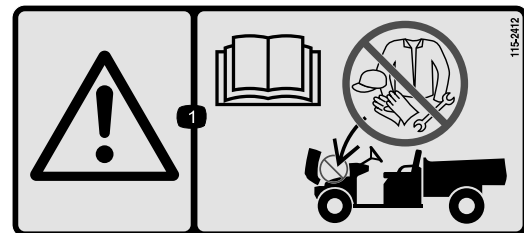
120-4837

1. Read the *Operator's Manual* for information on fuses.
2. Alarm/power point, 10A
3. Engine, 10A
4. Headlights, 10A
5. Machine fuse, 15A
6. Lift, 15A
7. Rear lift, 15A
8. Horn, 30A



99-7350

1. Maximum tongue weight is 50 lb (23 kg); maximum trailer weight is 400 lb (181 kg).



115-2412

1. Warning—read the *Operator's Manual*; no storage.

Setup

Loose Parts

Use the chart below to verify that all parts have been shipped.

Procedure	Description	Qty.	Use
1	Steering wheel	1	Install the steering wheel (Model 07359TC only).
2	No parts required	–	Check the fluid levels and tire air pressure.
3	Operator's Manual Engine owner's manual Parts Catalog Safety Training material Registration Card Predelivery Inspection Form Certificate of Quality Key	1 1 1 1 1 1 1 2	Read the Operator's Manual and view the training material before operating the machine.

Note: Determine the left and right sides of the machine from the normal operating position.

1

Installing the Steering Wheel

Parts needed for this procedure:

1	Steering wheel
---	----------------

Procedure

Note: This procedure is only needed for Model 07359TC.

1. Through the openings in the back of the steering wheel, release the lock tabs of the center cover and remove the cover from the wheel (Figure 3).

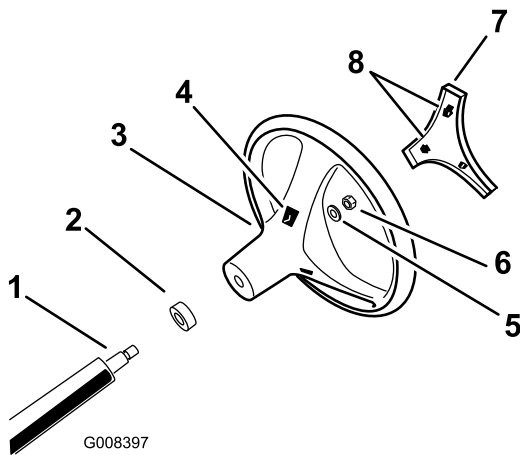


Figure 3

- | | |
|-----------------------|----------------------------------------------------|
| 1. Steering shaft | 5. Washer |
| 2. Dust cover | 6. Lock nut |
| 3. Steering wheel | 7. Center cover |
| 4. Tab slots in wheel | 8. Opening (for access to the steering wheel tabs) |

2. Remove the lock nut and washer from the steering shaft (Figure 3).
3. Align the steering wheel onto the splines of the steering shaft (Figure 3).

Note: Position the steering wheel on the shaft so that when the tires of the machine are pointed straight ahead, the cross beam of the steering wheel is horizontal and the thicker spoke of the steering wheel is pointing down.

4. Assemble the washer and lock nut threads of the steering shaft (Figure 3).
5. Torque the nut to 24-29 N-m (18-22 ft-lb).
6. Align the lock tabs of the center cover to the openings in the steering wheel and press the cover into the wheel until the locks tabs snap into place (Figure 3).

2

Checking the Fluid Levels and Tire Air Pressure

No Parts Required

Procedure

1. Check the engine oil level before and after the engine is first operated; refer to [Checking the Engine-Oil Level \(page 19\)](#).
2. Check the brake fluid level before the engine is first operated; refer to [Checking the Brake Fluid Level \(page 19\)](#).
3. Check the transaxle-oil level before the engine is first operated; refer to [Checking the Transaxle Oil Level \(page 38\)](#).
4. Check the air pressure in the tires; refer to [Checking the Tire Air Pressure \(page 20\)](#)

3

Reading the Manual and Viewing the Safety Training Material

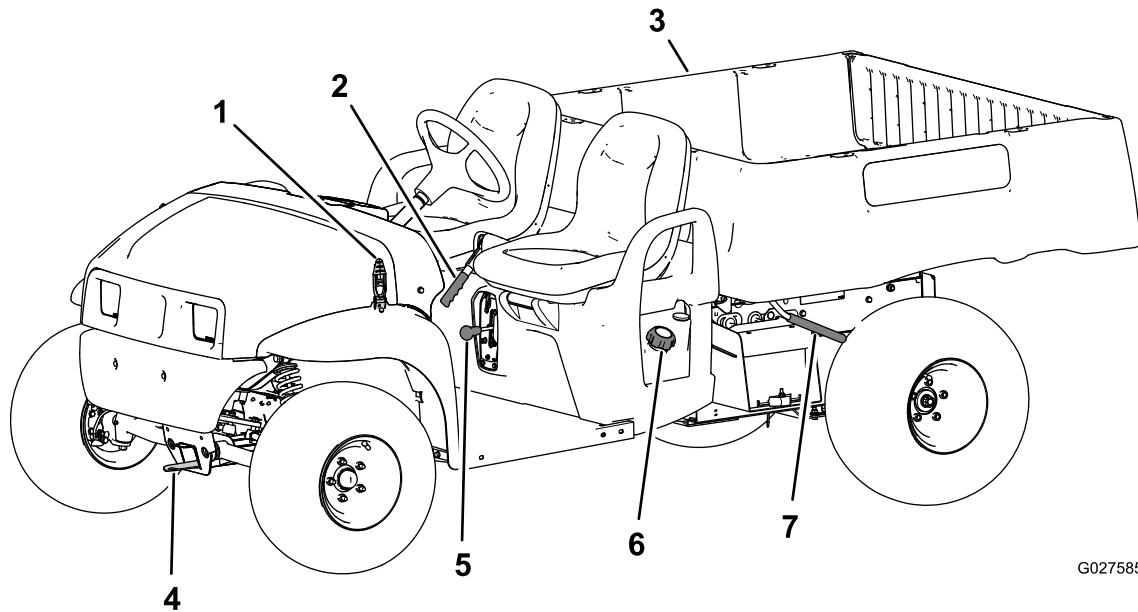
Parts needed for this procedure:

1	<i>Operator's Manual</i>
1	Engine owner's manual
1	<i>Parts Catalog</i>
1	Safety Training material
1	Registration Card
1	<i>Predelivery Inspection Form</i>
1	Certificate of Quality
2	Key

Procedure

- Read the *Operator's Manual* and Engine owner's manual.
- View the safety training material.
- Fill out the registration card.
- Complete the *Predelivery Inspection Form*.
- Review the *Certificate of Quality*.

Product Overview

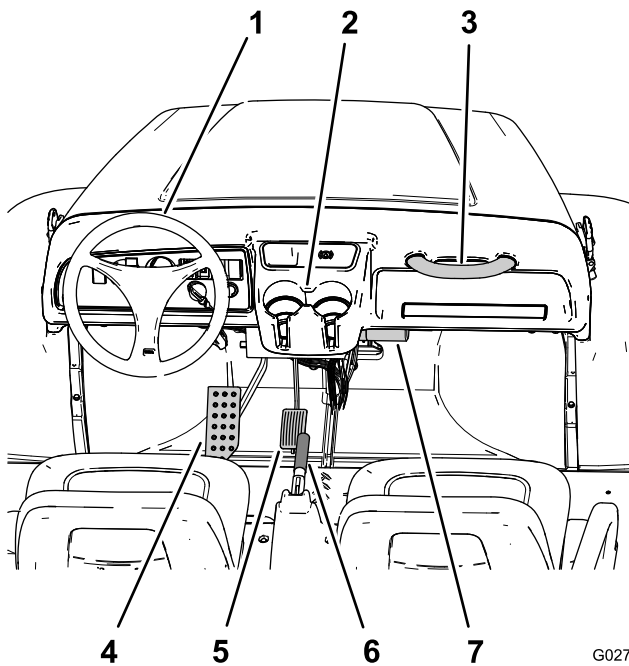


G027585

Figure 4

- | | | | |
|-------------------------|------------------|------------------------|--------------------|
| 1. Hood latch | 3. Cargo box | 5. Gear shift selector | 7. Cargo box lever |
| 2. Parking brake handle | 4. Towing tongue | 6. Fuel cap | |

Controls



G027586

Figure 5

- | | |
|-----------------------|------------------------------------------|
| 1. Steering wheel | 5. Accelerator pedal |
| 2. Cup holder | 6. Parking brake handle (center console) |
| 3. Passenger handhold | 7. <i>Operator's Manual</i> storage tube |
| 4. Brake pedal | |

Accelerator Pedal

Use the accelerator pedal (Figure 5) to vary ground speed of the machine. Pressing down the pedal increases ground speed. Releasing the pedal will slow the machine.

Note: The maximum forward speed is 26 km/h (16 mph).

Brake Pedal

Use the brake pedal is used to stop or slow the machine (Figure 5).

⚠ CAUTION

Operating a machine with worn or incorrectly adjusted brakes can may result in personal injury.

If brake pedal travels to within 25 mm (1 inch) of the vehicle floor board, the brakes must be adjusted or repaired.

Parking Brake Lever

The parking brake lever is located between the seats (Figure 4 and Figure 5). Whenever the engine is shut off, set the parking brake to prevent the machine from accidental moving. To set the parking brake, pull up on the parking brake lever. To release the parking brake, push the lever down. If the machine is parked on a steep grade, make sure that the parking brake is set.

Horn Button (TC Model only)

The horn button is located at the lower left corner of the dash panel (Figure 6). Press the horn button to sound the horn.

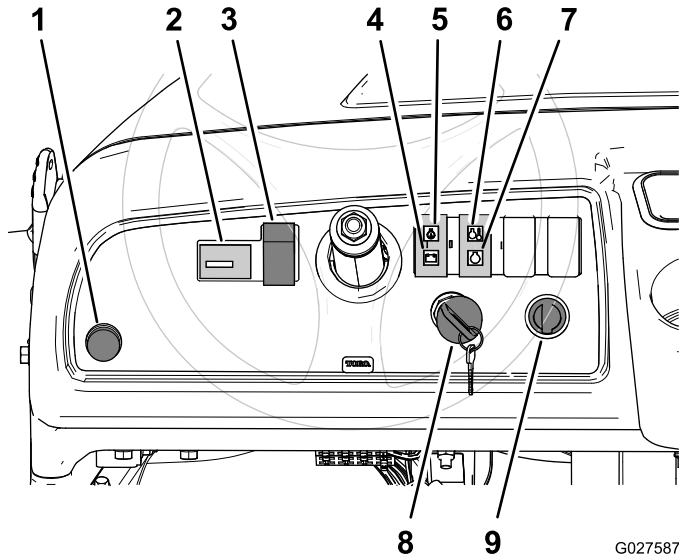


Figure 6

- | | |
|---------------------------------|-------------------------------------|
| 1. Horn button (TC Models Only) | 6. Engine coolant-temperature light |
| 2. Hour meter | 7. Glow-plug Indicator light |
| 3. Light switch | 8. Starter switch |
| 4. Battery light | 9. Power point |
| 5. Engine oil pressure light | |

Light Switch

The light switch is located to the left of the steering column (Figure 6). Use the light switch to illuminate the headlights. Push up the light switch turn on the headlights or push down the switch to turn off the lights.

Hour Meter

The hour meter is located to the left of the light switch (Figure 6). Use the hour meter to find out the total number of hours the engine has run. The hour meter starts to function whenever you turn the key switch to the On position or if the engine is running.

Battery Light

The battery light is located to the right of the steering column and above the oil light (Figure 6). The battery light will turn on for several seconds when you first start the engine, and then turn off once the engine is running. If the light remains on while the engine is running, the alternator, battery, or electrical system is damaged.

Engine Oil Pressure Light

The engine oil pressure light is located to the right of the steering column and below the battery light (Figure 6). The

oil light warns the operator if the engine oil pressure drops below a safe level to operate the engine. If the light comes on and remains lit, shut off the engine and check the engine oil level. Add oil to the engine if necessary; refer to [Checking the Engine-Oil Level \(page 19\)](#).

Note: The oil light may flicker. This is normal and no action needs to be taken.

Engine Coolant-temperature Light

The engine coolant-temperature light is located to the right of the battery and the engine oil pressure lights, and above the glow plug indicator light (Figure 6). The engine coolant-temperature light warns the operator that the coolant temperature of the engine is too hot to continue operating the engine (the engine is overheating). Stop the engine and allow the machine to cool down. Check the coolant level and the belts to the fan and water pump. Fill the coolant reservoir with coolant as needed and replace any worn, damaged, or slipping belts.

Important: If the engine overheating problem persists, contact your Authorized Toro Dealer for diagnostics and repair.

Glow-plug Indicator Light

The glow-plug indicator light is located to the right of the battery and the engine oil pressure lights, and below the engine coolant-temperature light (Figure 6). The glow-plug indicator light will illuminate red when you rotate the ignition switch to the On position and the engine is cold. The light indicates that the glow plugs are operating.

Starter Switch

The ignition switch is located to the right of the steering column and below the indicator lights for the battery, engine oil pressure, engine coolant temperature, glow plugs (Figure 6). Use the ignition switch to start and stop the engine. The switch has 3 positions: Off, On, and Start. Rotate the key clockwise to the On position to activate the glow plugs. When the glow plug indicator light turns off, rotate the key counterclockwise to the Start position to start the engine. To shut off the engine, rotate the key counterclockwise to the Off position.

Note: Remove the key from the ignition when leaving the machine.

Power Point

The power point is located to the right of the starter switch (Figure 6). Use the power point to power 12 volt optional electrical accessories.

Gear-Shift Selector

The gear shift selector is located between the seats and below the parking brake lever. The gear shift selector has three positions: Forward, Reverse, and Neutral (Figure 7).

Note: The engine will start and run in any of the three positions.

Important: Always stop the vehicle before changing gears.

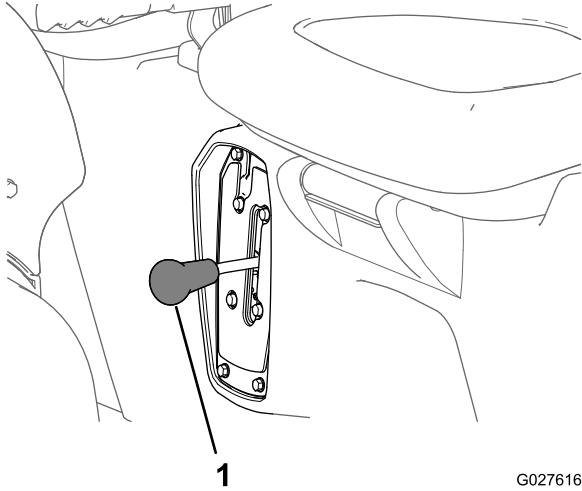


Figure 7

1. Gear shift selector

Passenger Hand Holds

The passenger hand holds are located on the right side of the dash panel and at the outside of each seat (Figure 9).

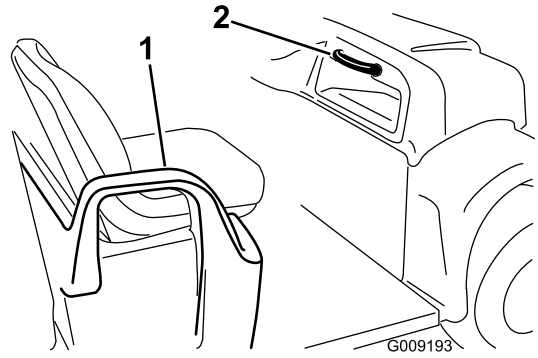


Figure 9

1. Hand hold—hip restraint
2. Passenger hand hold

Fuel Gauge

The fuel gauge (Figure 8) is located on the fuel tank, next to the filler cap at the operator's side of the machine. The gauge displays the amount of fuel in the tank.

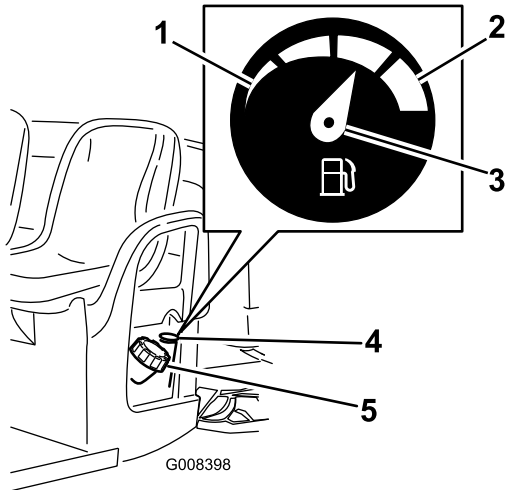


Figure 8

1. Empty
2. Full
3. Needle
4. Fuel gauge
5. Fuel-tank cap

Specifications

Note: Specifications and design are subject to change without notice.

Base weight	Dry 590 kg (1300 lb)
Rated capacity (on level ground)	749 kg (1650 lb) total, including 90.7 kg (200 lb) operator and 90.7 kg (200 lb) passenger, load, trailer tongue weight, gross trailer weight, accessories, and attachments
Maximum gross vehicle weight (GVW) (on level ground)	1341 kg (2950 lb) total, including all of the weights listed above
Maximum cargo capacity (on level ground)	567 kg (1250 lb) total, including trailer tongue weight and gross trailer weight
Tow capacity:	
Standard hitch	Tongue weight 23 kg (50 lb) Maximum trailer weight 182 kg (400 lb)
Heavy-duty hitch	Tongue weight 45 kg (100 lb) Maximum trailer weight 363 kg (800 lb)
Overall width	150 cm (59 inches)
Overall length	299 cm (117.75 inches)
Ground clearance	25.4 cm (10 inches) at the front with no load or operator, 18 cm (7 inches) at the rear with no load or operator
Wheel base	205.7 cm (81 inches)
Wheel tread (center line to center line)	124.5 cm (49 inches) in the front, 120 cm (47-1/4 inches) in the rear
Cargo box length	116.8 cm (46 inches) inside, 132.7 cm (52-1/4 inches) outside
Cargo box width	124.5 cm (49 inches) inside, 150 cm (59 inches) at outside of the molded fenders
Cargo box height	25.4 cm (10 inches) inside
Maximum speed	26 km/h (16 mph)
Engine speed (non-adjustable)	Low idle –1250 ±50 rpm, High idle –3470 ±50 rpm

Attachments/Accessories

A selection of Toro approved attachments and accessories is available for use with the machine to enhance and expand its capabilities. Contact your Authorized Service Dealer or Distributor or go to www.Toro.com for a list of all approved attachments and accessories.

Operation

Note: Determine the left and right sides of the machine from the normal operating position.

Think Safety First

Please carefully read all of the safety instructions and decals in the safety section. Knowing this information could help you or bystanders avoid injury.

Operating the Cargo Box

Raising the Cargo Box

⚠ WARNING

Driving the machine with the cargo box raised may cause the machine to tip or roll easier. The box structure may become damaged if you operate the machine with the box raised.

- Only operate the machine when the cargo box is down.
- After emptying the cargo box, lower it.

⚠ CAUTION

If a load is concentrated near the back of the cargo box when you release the latches, the box may unexpectedly tip open injuring you or bystanders.

- Center loads in the cargo box if possible.
- Hold the cargo box down and ensure that no one is leaning over the box or standing behind it when releasing the latches.
- Remove all cargo from the box before lifting the box up to service the machine.

1. Lift the latch lever that is at the either side near the forward corner of the cargo box, and lift the box up (Figure 10).
2. Secure the cargo box by pulling the prop rod into the rear detent at end of the slot that is in the left frame of the machine (Figure 10).

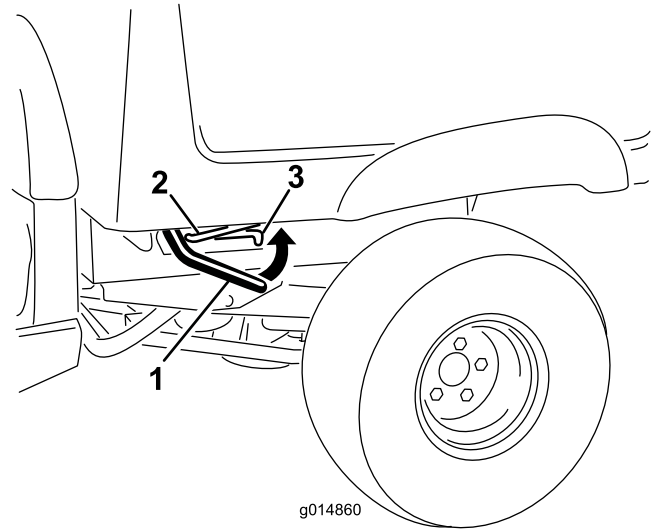


Figure 10

1. Latch lever
2. Prop rod
3. Detent slot

Lowering the Cargo Box

⚠ WARNING

The weight of the box may be heavy. Hands or other body parts could be crushed.

Keep hands and other body parts clear when lowering the box.

1. Raise the cargo box slightly by lifting up on the latch lever (Figure 10).
2. Pull the prop rod out of the detent slot (Figure 10).
3. Lower the box until it latches into securely (Figure 10).

Opening the Tailgate

1. Ensure that the cargo box is down and latched.
2. Lift up on the finger pulls at the back panel of the tailgate (Figure 11).

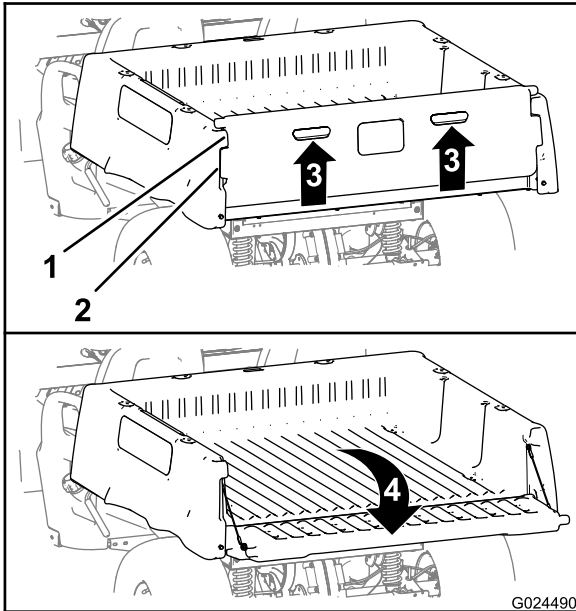


Figure 11

- | | |
|--------------------------------|-----------------------------|
| 1. Tailgate flange (cargo box) | 3. Lift up (finger pull) |
| 2. Lock flange (tailgate) | 4. Rotate rearward and down |

3. Align the lock flanges of the tailgate with the openings between the tailgate flanges of the cargo box (Figure 11).
4. Rotate the tail gate rearward and down (Figure 11).

Closing the Tailgate

If you unloaded loose material such as sand, landscaping rock, or wood chips from the cargo box of the machine, some the material that you unloaded may have lodged in the hinge area of the tailgate. Perform the following before closing the tailgate.

1. Use your hands to remove as much of the material from the hinge area as possible.
2. Rotate the tailgate to approximately 45° position (Figure 12).

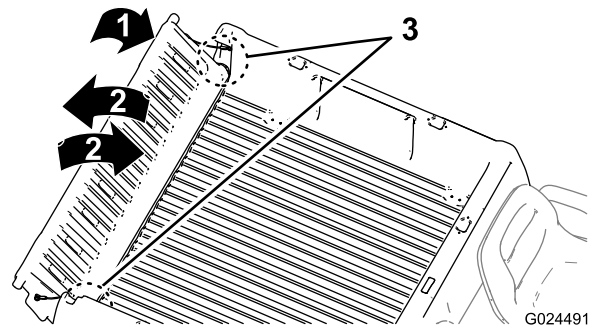


Figure 12

3. Use a short, shaking motion to rotate the tailgate back and forth several times (Figure 12).

Note: This action will help move material away from the hinge area

4. Lower the tailgate and check for material remaining in the hinge area.
5. Repeat steps 1 through 4 until the material is removed from the hinge area.
6. Rotate the tailgate up and forward until the lock flanges of the tailgate are flush with the tailgate pocket in the cargo box (Figure 11).

Note: Raise or lower the tailgate in order to align the lock flanges of the tailgate with the vertical openings between the tailgate flanges of the cargo box.

7. Lower the tailgate until it is seated in the back of the cargo box (Figure 11).

Note: The lock flanges of the tailgate will be fully secured by the tailgate flanges of the cargo box.

Performing Pre-Starting Checks

Service Interval: Before each use or daily Check the following items each time you begin using the machine for the day:

- Check brake fluid levels, and add the specified brake fluids as needed; refer to [Checking the Brake Fluid Level \(page 19\)](#).
- Check engine oil, and add the specified oil as needed; refer to [Checking the Engine-Oil Level \(page 19\)](#).
- Check the air pressure in the tires; refer to [Checking the Tire Air Pressure \(page 20\)](#).
- Check the brake pedal operation.
- Check to see that the lights are working.
- Turn the steering wheel to the left and right to check steering response.
- Check for oil leaks, loose parts, and any other noticeable malfunctions.

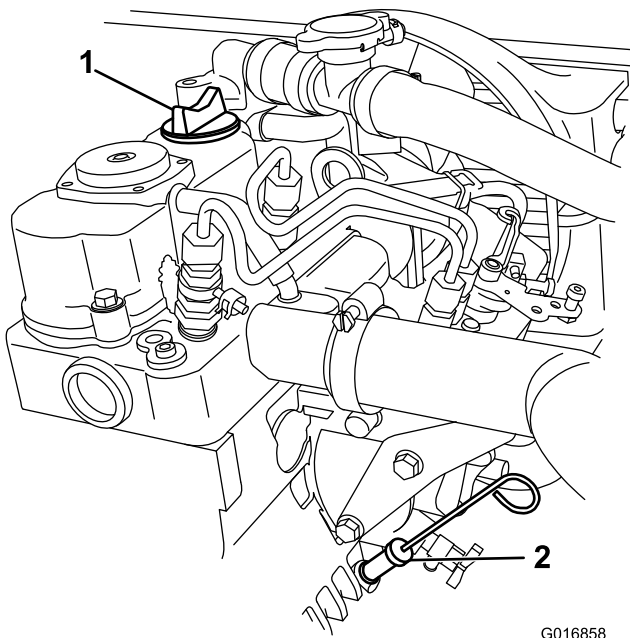


Figure 16

G016858

1. Fill cap
2. Oil dipstick

4. Remove the oil dipstick and wipe the end clean.
5. Slide the oil dipstick into the dipstick tube fully seating it (Figure 16).
6. Pull the dipstick out and look at the end (Figure 16).

Note: If the oil level is low, remove the filler cap from the engine and add the specified oil to raise the level up to, but not over, the Full mark on the dipstick. Add the oil slowly and check the level often during this process. **Do not overfill the engine with oil.**

7. Install the oil dipstick and firmly seat it (Figure 16).
8. Lower the cargo box; refer to [Lowering the Cargo Box](#) (page 17).

Checking the Tire Air Pressure

Service Interval: Before each use or daily

Tire Air Pressure Range: 55 to 103 kPa (8 to 22psi)

Important: Do not exceed the maximum air pressure indicated on the sidewall of the tire.

Note: The air pressure needed in the tires is determined by the payload that you intend to carry.

1. Check the air pressure in the tires.

Note: The air pressure range in the front and rear tires is 55 to 103 kPa (8 to 22psi).

- Use lower air pressure in the tires for lighter payloads, for less the soil compaction, for a smoother the ride, and to minimize tire marks in the ground.
- Use higher air pressure in the tires for carrying heavier payloads at higher speeds.

2. If needed, adjust the air pressure in the tires by adding or removing air in the tires.

Adding Fuel

The engine runs on clean, fresh diesel fuel with a minimum cetane rating of 40. Purchase fuel in quantities that can be used within 30 days to ensure fuel freshness.

Use summer grade diesel fuel (No. 2-D) at temperatures above 20 F (–7 C) and winter grade diesel fuel (No. 1-D or No. 1-D/2-D blend) below 20 F (–7 C). Use of winter grade diesel fuel at lower temperatures provides lower flash point and pour point characteristics, allowing easier starts and lessening the chances of chemical separation of the fuel due to lower temperatures.

Use of summer grade diesel fuel above 20 F (–7 C) will contribute toward longer life of the fuel pump components.

Important: Never use kerosene or gasoline in place of diesel fuel. Failure to observe this caution will damage the engine.

⚠ DANGER

In certain conditions, fuel is extremely flammable and highly explosive. A fire or explosion from fuel can burn you and others and can damage property.

- Fill the fuel tank outdoors, in an open area, when the engine is cold. Wipe up any fuel that spills.
- Never fill the fuel tank inside an enclosed trailer.
- Do not fill the fuel tank completely full. Add fuel to the fuel tank until the level is 1 inch (25 mm) below the bottom of the filler neck. This empty space in the tank allows fuel to expand.
- Never smoke when handling fuel, and stay away from an open flame or where fuel fumes may be ignited by a spark.
- Store fuel in an approved container and keep it out of the reach of children. Never buy more than a 30-day supply of fuel.
- Do not operate the machine without the entire intake and exhaust system in place and in proper working condition.

▲ DANGER

In certain conditions during fueling, static electricity can be released causing a spark which can ignite the fuel vapors. A fire or explosion from fuel can burn you and others and can damage property.

- Always place fuel containers on the ground away from your vehicle before filling.
- Do not fill fuel containers inside a vehicle or on a truck or trailer bed because interior carpets or plastic truck bed liners may insulate the container and slow the loss of any static charge.
- When practical, remove fuel-powered equipment from the truck or trailer and refuel the equipment with its wheels on the ground.
- If this is not possible, then refuel such equipment on a truck or trailer from a portable container, rather than from a fuel dispenser nozzle.
- If a fuel dispenser nozzle must be used, keep the nozzle in contact with the rim of the fuel tank or container opening at all times until fueling is complete.

Filling the Fuel Tank

The fuel tank capacity is approximately 26.5 L (7 US gallons).

1. Shut off the engine and set the parking brake.
2. Clean the area around the fuel-tank cap (Figure 17).

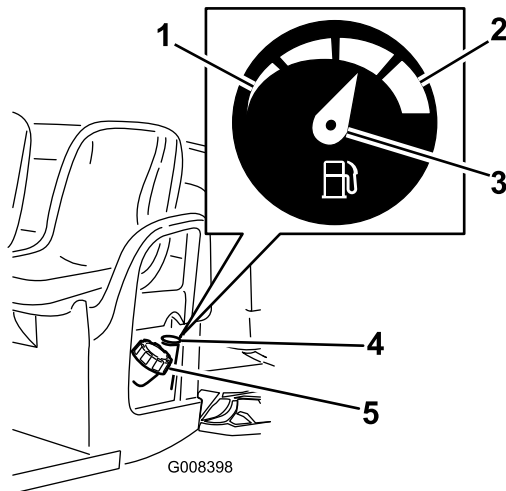


Figure 17

- | | |
|-----------|------------------|
| 1. Empty | 4. Fuel gauge |
| 2. Full | 5. Fuel-tank cap |
| 3. Needle | |

3. Remove the fuel-tank cap.
4. Fill the tank to about 25 mm (1 inch) below the top of tank, (bottom of the filler neck).

Note: This space in the tank allows fuel to expand. Do not overfill the fuel tank..

5. Install the fuel tank cap securely.
6. Wipe up any fuel that may have spilled.

Starting the Engine

Important: Do not attempt to push or tow the vehicle to get it started.

1. Sit in the operator's seat, insert the key into the starter switch, press down on the brake, and rotate the key clockwise to the On position.

Note: If the back up alarm is installed and the gear shift selector is in Reverse, the buzzer will sound to warn the operator.

2. Once the glow plug indicator light turns off, rotate the key counterclockwise to the Start position.
3. Release the parking brake.

Stopping the Machine

Important: When stopping the machine on an incline, use the service brakes to stop the machine and set the parking brake to hold the machine in place. Using the accelerator to stall the machine on the hill can damage the machine.

1. Remove your foot from the accelerator pedal; refer to [Accelerator Pedal \(page 13\)](#).
2. Slowly press the brake pedal to apply the service brakes until the machine comes to a complete stop; refer to [Brake Pedal \(page 13\)](#).

Note: The stopping distance may vary depending on the machine load and speed.

Parking the Machine

1. Stop the machine using the service brakes by pressing and holding the brake pedal; refer to [Brake Pedal \(page 13\)](#).
2. Set the parking brake by pulling up the parking-brake lever; refer to [Parking Brake Lever \(page 13\)](#).
3. Rotate the key for the starter switch counterclockwise to the Off position; refer to [Starter Switch \(page 14\)](#).
4. Remove the key from the starter switch.

Breaking in a New Machine

Service Interval: After the first 100 hours—Perform the breaking in a new machine guidelines.

Perform the breaking in a new machine guidelines to provide proper performance and long life for the machine.

- Check the fluid and engine oil levels regularly. Remain alert for signs that the machine or its components are overheating.
- After starting a cold engine, let it warm up for about 15 seconds before using the machine.
- Avoid hard braking situations for the first several hours of new machine break-in operation. New brake linings may not be at optimum performance until several hours of use has caused the brakes to become burnished (broken-in).
- Vary the machine speed during operation. Avoid fast starts and quick stops.
- A break-in oil for engine is not required. Original engine oil is the same type specified for regular oil changes.
- Refer to [Maintaining the Vehicle under Special Operating Conditions \(page 26\)](#) for any special low hour checks.
- Check the front suspension positioning and adjust it if necessary; refer to [Adjusting the Front Wheel Toe-in and Camber \(page 37\)](#).

Loading the Cargo Box

Use the following guidelines when loading the cargo box and operating the machine:

- Observe the weight capacity of the machine and limit the weight of the load that you carry in the cargo box as described in [Specifications \(page 16\)](#) and on the gross vehicle weight tag of the machine ([Figure 18](#)).

Note: Note : The load rating is specified for machine operation on a level surface only.

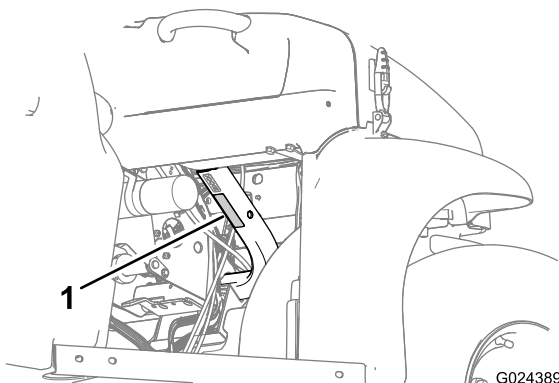


Figure 18

1. Gross machine weight decal

- Reduce the weight of the load that you carry in the cargo box when operating the machine on hills and rough terrain.

- Reduce the weight of the load that you carry when the materials are tall (and have a high center of gravity) such as a stack of bricks, landscaping timbers, or fertilizer bags. Distribute the load as low as possible, making sure that the load does not reduce your ability to see behind the machine when operating it.

- Keep loads centered by loading the cargo box as follows:
 - Evenly position the weight in the cargo box from side to side.

Important: Tipping over is more likely to occur if the cargo box is loaded to one side.

- Evenly position the weight in the cargo box from front to back.

Important: Loss of steering control or the machine may tip over if you position the load behind the rear axle and the traction on the front tires is reduced.

- Use extra caution when transporting oversized loads in the cargo box, particularly when you cannot center the weight of the oversize load to the cargo box
- Whenever possible, secure the load by binding it to the cargo box so it does not shift.
- When transporting liquid in a large tank (such as a sprayer tank), use caution when driving the machine up hill or down hill, when suddenly changing speed or stopping, or when driving over tough surfaces.

The capacity of the cargo box is 0.37 m³ (13 ft³). The amount (volume) of material that can be placed in the box without exceeding the vehicle load ratings can vary greatly depending on the density of the material. For example, a level box of wet sand weighs 680 kg (1500 lb), which exceeds the load rating by 113 kg (250 lb). But a level box of wood weighs 295 kg (650 lb), which is under the load rating.

See the table below for load volume limits with various materials:

Material	Density	Max. cargo box capacity (on level ground)
Gravel, dry	1 521.7 kg/m ³ (95 lb/ft ³)	3/4 full (approx.)
Gravel, wet	1 922.2 kg/m ³ (120 lb/ft ³)	1/2 full (approx.)
Sand, dry	1 441.6 kg/m ³ (90 lb/ft ³)	3/4 full
Sand, wet	1 922.2 kg/m ³ (120 lb/ft ³)	1/2 full
Wood	720.8 kg/m ³ (45 lb/ft ³)	Full
Bark	<720.8 kg/m ³ (<45 lb/ft ³)	Full
Earth, packed	1 601.8 kg/m ³ (100 lb/ft ³)	3/4 full (approx.)

Transporting the Vehicle

For moving the vehicle long distances, a trailer should be used. Make sure that the vehicle is secured to the trailer. Refer to [Figure 19](#) and [Figure 20](#) for the location of the tie-down points.

⚠ CAUTION

Loose seats may fall off of the vehicle and trailer when transporting and land on another vehicle or become an obstruction on the road.

Remove the seats or make sure that the seats are securely fastened in the detents.

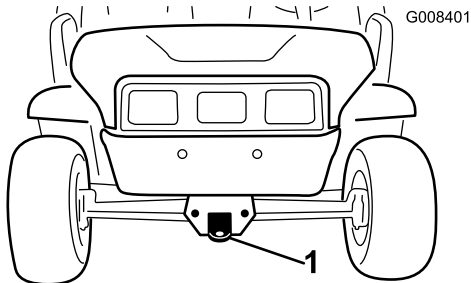


Figure 19

1. Towing tongue and tie down point (front of the machine)

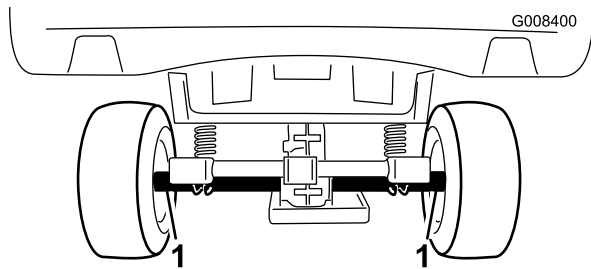


Figure 20

1. Rear axle tie-down points (back of the machine)

Towing the Machine

In case of an emergency, the machine can be towed for a short distance. However, we do not recommend this as a standard operating procedure.

⚠ WARNING

Towing at excessive speeds could cause a loss of steering control, resulting in personal injury.

Never tow the machine faster than 8 km/h (5 mph).

Towing the machine is a 2-person job. If the machine must be moved a considerable distance, transport it on a truck or trailer; refer to [Transporting the Vehicle](#) (page 23).

1. Remove the drive belt from the machine; refer to [Replacing the Drive Belt](#) (page 44).
2. Affix a tow line to the tongue at the front of the machine's frame ([Figure 19](#)).
3. Put the transmission of the machine in neutral and release the parking brake; refer to [Gear-Shift Selector](#) (page 15) and [Parking Brake Lever](#) (page 13).

Towing a Trailer

The machine is capable of pulling trailers. 2 types of tow hitches are available for the machine, depending on your application. Contact your Authorized Toro Distributor for details.

When hauling cargo or towing a trailer, do not overload your vehicle or trailer. Overloading can cause poor performance or damage to the brakes, axle, engine, transaxle, steering, suspension, body structure, or tires. Always load a trailer with 60% of the cargo weight in the front of the trailer. This places approximately 10% of the Gross Trailer Weight (GTW) on the tow hitch of the vehicle.

The maximum cargo load shall not exceed 567 kg (1250 lb), including the GTW. For example, if the GTW = 181.5 kg (400 lb) then the maximum cargo load = 386 kg (850 lb)

To provide adequate braking and traction, always load the cargo box when trailering. Do not exceed the GTW or GVW limits.

Avoid parking a vehicle with a trailer on a hill. If you must park on a hill, engage the parking brake and block the trailer tires.

Maintenance

Note: Looking for an *Electrical Schematic* or *Hydraulic Schematic* for your machine? Download a free copy of the schematic by visiting www.Toro.com and searching for your machine from the Manuals link on the home page.

Note: Determine the left and right sides of the machine from the normal operating position.

Recommended Maintenance Schedule(s)

Maintenance Service Interval	Maintenance Procedure
After the first 8 hours	<ul style="list-style-type: none"> • Check the condition of the drive belt.
After the first 50 hours	<ul style="list-style-type: none"> • Change the engine oil.
After the first 100 hours	<ul style="list-style-type: none"> • Perform the breaking in a new machine guidelines.
Before each use or daily	<ul style="list-style-type: none"> • Perform the pre-starting checks. Check the following items each time you begin using the machine for the day: • Check the brake-fluid level. • Check the engine oil. Check the oil level in the engine before the engine is first started. • Check the tire pressure. • Check gear shift operation. • Inspect the primary drive clutch. • Check the radiator coolant level.
Every 100 hours	<ul style="list-style-type: none"> • Grease the bearings and bushings. • Air-cleaner filter: Inspect after every 100 operating hours. Replace the air filter element sooner if it is dirty or damaged. • Check the condition of the tires and rims. • Torque the wheel-lug nuts. • Check the front wheel toe-in and camber. • Check the transaxle oil level. • Check the operation of the Neutral gear shift position. • Clean the engine cooling areas (twice as often in special operating conditions; refer to Maintaining the Vehicle under Special Operating Conditions). • Inspect the brakes.
Every 150 hours	<ul style="list-style-type: none"> • Change the engine oil (twice as often in special operating conditions; refer to Maintaining the Vehicle under Special Operating Conditions). • Change the oil filter. Change the oil twice as often during special operating conditions; refer to Maintaining the Vehicle under Special Operating Conditions.
Every 200 hours	<ul style="list-style-type: none"> • Replace the air filter element. • Clean the primary drive clutch (more often in dusty or muddy conditions). • Adjust the parking brake if needed. • Check the condition and tension of the drive belt.
Every 300 hours	<ul style="list-style-type: none"> • Grease the front wheel bearings.
Every 400 hours	<ul style="list-style-type: none"> • Inspect the fuel lines and connections.
Every 800 hours	<ul style="list-style-type: none"> • Replace the fuel filter. • Change the transaxle fluid.
Every 1,000 hours	<ul style="list-style-type: none"> • Change the radiator coolant. • Change the brake fluid.
Yearly	<ul style="list-style-type: none"> • Complete all yearly maintenance procedures specified in the engine owner's manual.

Important: Refer to your *engine operator's manual* for additional maintenance procedures.

Daily Maintenance Checklist

Duplicate this page for routine use.

Maintenance Check Item	For the week of:						
	Mon.	Tues.	Wed.	Thurs.	Fri.	Sat.	Sun.
Check brake and parking brake operation.							
Check gear shift/neutral operation.							
Check fuel level.							
Check engine oil level.							
Check transaxle oil level.							
Inspect air filter.							
Inspect engine cooling fins.							
Check unusual engine noises.							
Check unusual operating noises.							
Check clutch operation.							
Check tire pressure.							
Check fluid leaks.							
Check instrument operation.							
Check accelerator operation.							
Lubricate all grease fittings.							
Touch up damaged paint.							

⚠ WARNING

The bed must be raised to perform some routine maintenance.

A raised bed can fall and injure persons that are underneath it.

- Always use the prop rod to hold the bed up before working under it.
- Remove any load material from the bed before working under it.

⚠ CAUTION

If you leave the key in the starter switch, someone could accidentally start the engine and seriously injure you or other bystanders.

Remove the key from the starter switch before you do any maintenance.

Premaintenance Procedures

Maintaining the Vehicle under Special Operating Conditions

If the vehicle is subjected to any of the conditions listed below, maintenance should be performed twice as frequently.

- Desert operation
- Cold climate operation (below 50° F [10 degrees C])
- Trailer towing
- Driving time typically less than 5 minutes
- Frequent operation in dusty conditions
- Construction work
- After extended operation in mud, sand, water, or similar dirty conditions, have your brakes inspected and cleaned as soon as possible. This will prevent any abrasive material from causing excessive wear.
- Under frequent heavy duty operating conditions, lubricate all grease fittings and inspect air cleaner daily to prevent excessive wear.

Lifting the Machine

⚠ DANGER

The machine may be unstable when using a jack. It could slip off the jack, injuring anyone beneath it.

- Do not start the engine while the machine is on a jack.
- Always remove the key from the starter switch before getting off of the machine.
- Block the tires when the machine is supported by lifting equipment.
- Use jack stands to support the machine once you have lifted the it.

Important: Whenever the engine is run for routine maintenance and/or engine diagnostics, the rear wheels of the machine should be 25 mm (1 inch) off the ground, with the rear axle supported on jack stands.

- The lifting point at the front of the machine is at the front of the frame behind the towing tongue (Figure 21).

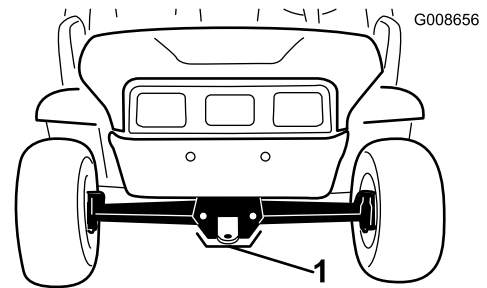


Figure 21

1. Front lifting point

- The lifting point at the rear of the machine is under the axle tubes (Figure 22).

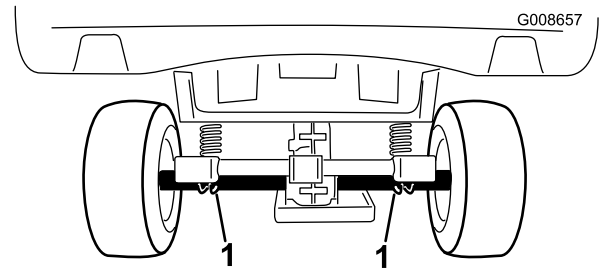


Figure 22

1. Rear lifting points

Accessing the Hood

Raising the hood

1. Lift up the handle of the rubber latches at each side of the hood (Figure 23).

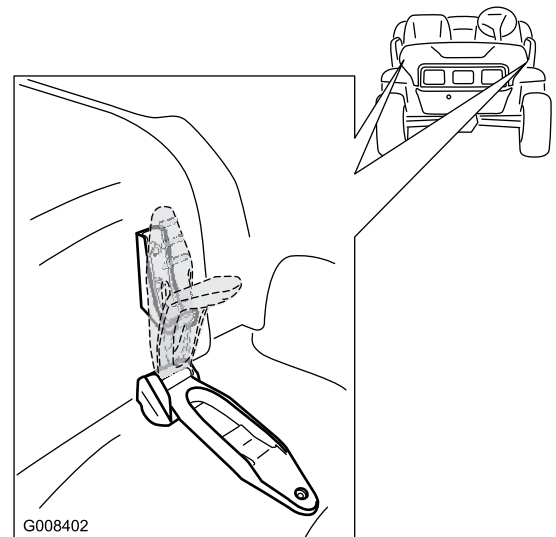


Figure 23

2. Raise the hood.

Closing the Hood

1. Gently lower the hood onto the chassis.
2. Secure the hood by aligning the rubber latches onto the latch anchors at each side of the hood (Figure 23).

Lubrication

Greasing the Machine

Service Interval: Every 100 hours/Yearly (whichever comes first)—Grease the bearings and bushings. Grease the machine more frequently when using it for heavy-duty operations.

Grease Type: Number 2 general-purpose, lithium-base grease

1. Use a rag to wipe the grease fitting clean so that foreign matter cannot be forced into the bearing or bushing.
2. With a grease gun, apply 1 or 2 pumps of grease into the grease fittings on the machine.
3. Wipe the excess grease off the machine.

The grease fittings are located at the 4 tie-rod ends (Figure 24) and the 2 king pins (Figure 25).

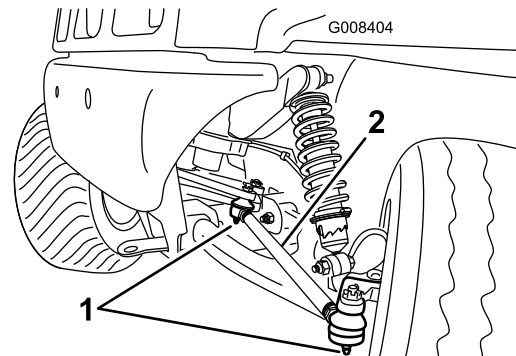


Figure 24
Left side shown

1. Grease fitting
2. Tie rod

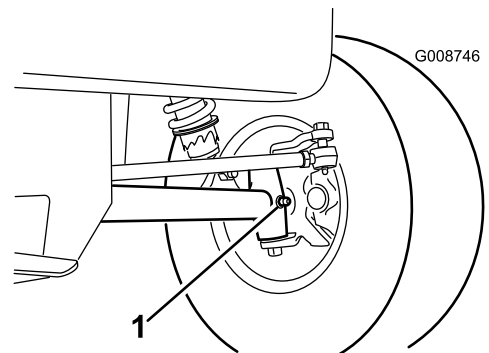


Figure 25
Left side shown

1. Grease fitting (king pin)

Greasing the Front Wheel Bearings

Service Interval: Every 300 hours

Grease specification: Mobilgrease XHP™-222

Removing the Hub and Rotor

1. Lift the front of the machine and support it with jack stands.
2. Remove the 5 lug nuts that secure the wheel to the hub (Figure 26).

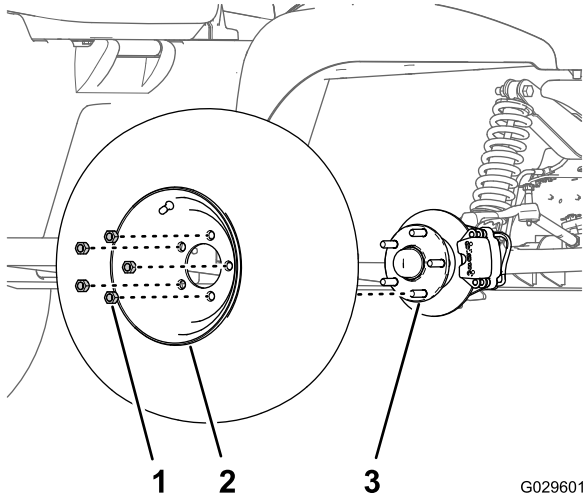


Figure 26

- | | |
|------------|--------|
| 1. Lug nut | 3. Hub |
| 2. Wheel | |

3. Remove the flange-head bolts (3/8 x 1 inch) that secure the bracket for the brake assembly to the spindle and separate the brake from the spindle (Figure 27).

Note: Support the brake assembly before proceeding to the next step.

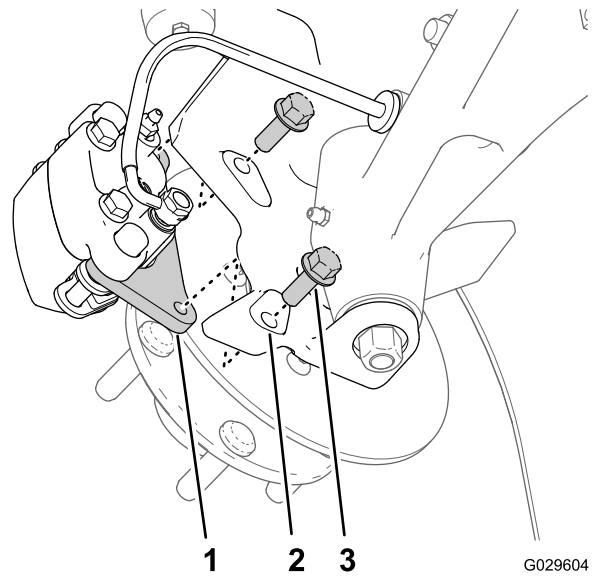


Figure 27

- | | |
|-------------------------------------|-------------------------------------|
| 1. Caliper bracket (brake assembly) | 3. Flange-head bolts (3/8 x 1 inch) |
| 2. Spindle | |

4. Remove the dust cap from the hub (Figure 28).

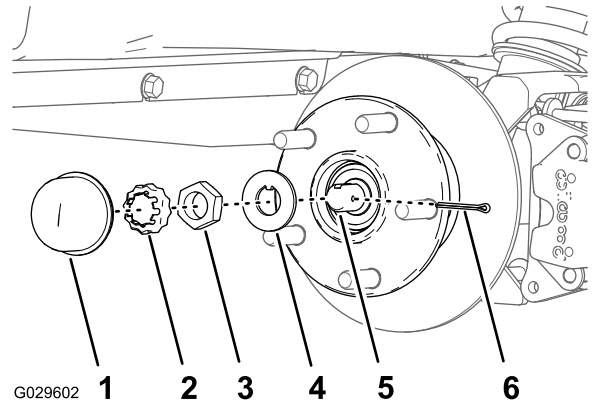


Figure 28

- | | |
|-----------------|---------------|
| 1. Dust cap | 4. Tab washer |
| 2. Nut retainer | 5. Spindle |
| 3. Spindle nut | 6. Cotter pin |

5. Remove the cotter pin and nut retainer from the spindle and spindle nut (Figure 28).
6. Remove the spindle nut from the spindle, and separate the hub and rotor assembly from the spindle (Figure 28 and Figure 29).

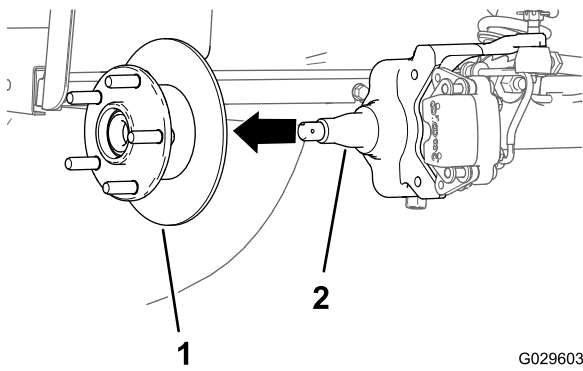


Figure 29

G029603

1. Hub and rotor assembly 2. Spindle

7. Wipe clean the spindle with a rag.
8. Repeat steps 1 through 7 to the hub and rotor at the other side of the machine.

Greasing the Wheel Bearings

1. Remove the outboard bearing and bearing race from the hub (Figure 30).

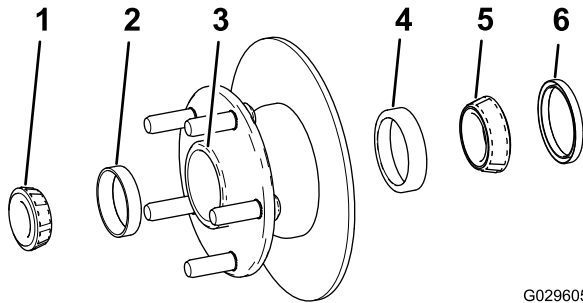


Figure 30

G029605

1. Outboard bearing
 2. Outboard-bearing race
 3. Bearing cavity (hub)
 4. Inboard-bearing race
 5. Inboard bearing
 6. Seal
2. Remove the seal, inboard bearing and bearing race from the hub (Figure 30).
 3. Wipe clean the seal and check for wear and damage.

Note: Do not use cleaning solvent to clean the seal. Replace the seal if it is worn or damaged.
 4. Clean the bearings and races, and check these parts for wear and damage.

Note: Replace all worn or damaged parts. Ensure that the bearings and races are clean and dry.
 5. Clean the cavity of the hub of all grease, dirt, and debris (Figure 30).
 6. Pack the bearings with the specified grease.
 7. Install the inboard and outboard bearing races into the hub (Figure 30).

Note: Ensure that the races are fully seated in the bores of the hub.

8. Fill the cavity of hub 50 to 80% full of the specified grease (Figure 30).
9. Assemble the inboard bearing onto the race at the inboard side of the hub and install the seal (Figure 30).
10. Repeat steps 1 through 9 to the bearings for the other hub.

Installing the Hub and Rotor

1. Apply a light coat of the specified grease to the spindle (Figure 31).

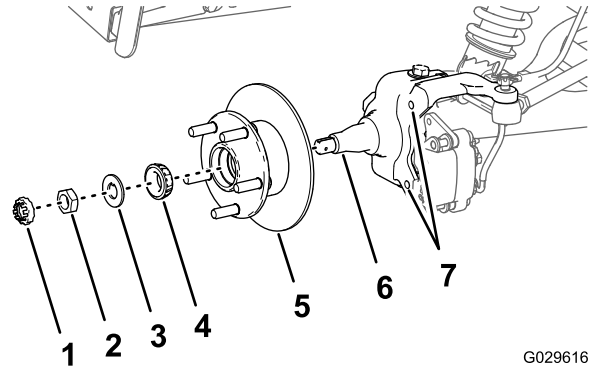


Figure 31

G029616

1. Retainer
 2. Spindle nut
 3. Tab washer
 4. Outer bearing
 5. Hub, rotor, inner bearing, race, and seal
 6. Spindle
 7. Holes (brake mount of the spindle frame)
2. Assemble the hub and rotor onto the spindle with the rotor inboard (Figure 31).
 3. Assemble the outboard bearing onto the spindle and seat the bearing to the outboard race (Figure 31).
 4. Assemble the tab washer onto the spindle (Figure 31).
 5. Thread the spindle nut onto the spindle and tighten the nut while rotating the hub (Figure 31).

Note: Tighten the nut and rotate the spindle until the bearings are fully seated and the hub has no linear-end movement.
 6. Loosen the spindle nut until the hub rotates freely.
 7. Torque the spindle nut to 170 N-cm (15 in-lb) while rotating the hub.
 8. Install the retainer over the nut and check the alignment of the slot in the retainer and the hole in the spindle for the cotter pin (Figure 32).

Note: If the slot in the retainer and the hole in the spindle are not aligned, tighten the spindle nut to align the slot and hole to a maximum torque of 226 N-cm (20 in-lb) on the nut.

Engine Maintenance

Servicing the Air Cleaner

Service Interval: Every 100 hours Replace the air filter element sooner if it dirty or damaged.

Every 200 hours

Note: Service the air cleaner more frequently (every few hours) if operating conditions are extremely dusty or sandy.

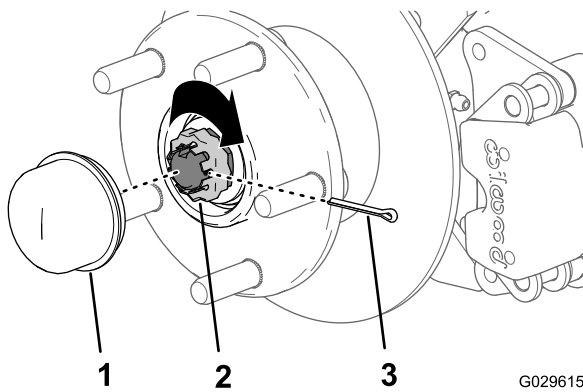


Figure 32

1. Dust cap
2. Nut retainer
3. Cotter pin

9. Install the cotter pin and bend each leg around the retainer (Figure 32).
10. Install the dust cap onto the hub (Figure 32).
11. Repeat steps 1 through 10 for the hub and rotor at the other side of the machine.

Installing the Brakes and Wheels

1. Clean the 2 flange-head bolts (3/8 x 1 inch) and apply a coat of anti-seize compound to the threads of the bolts.
2. Align the brake pads to either side of the rotor (Figure 27) and the holes in the caliper bracket with the holes in the brake mount of the spindle frame (Figure 31).
3. Assemble caliper bracket to the spindle frame (Figure 27) with the 2 flange-head bolts (3/8 x 1 inch), and torque the bolts 47 to 54 N-cm (35 to 40 ft-lb).
4. Align the holes in the wheel to the studs of the hub and assemble the wheel to the hub with the valve stem outward (Figure 26).

Note: Ensure the mounting surface of the wheel is flush with the hub.

5. Secure the wheel to the hub with the lug nuts (Figure 26), and torque the nuts to 108 to 122 N-m (80 to 90 ft-lb).
6. Repeat steps 1 through 5 for the brake and wheel at the other side of the machine.

Checking the Filter

1. Raise the cargo box and secure it with the prop rod; refer to [Raising the Cargo Box](#) (page 17).
2. Check the air cleaner body for damage which could possibly cause an air leak. Ensure the air-filter cover is sealing around the air cleaner housing (Figure 33).

Note: Replace a damaged air cleaner cover or housing.

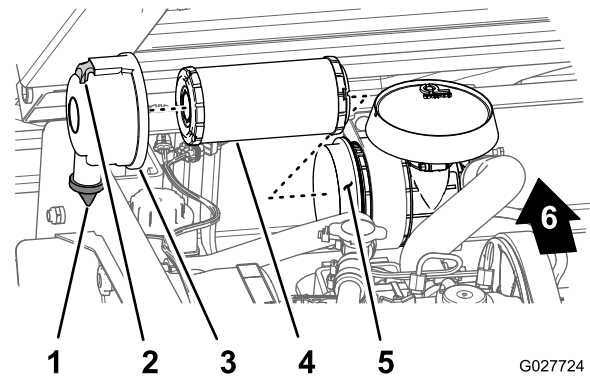


Figure 33

1. Dirt-ejection port
2. Latch
3. Air-filter cover
4. Air-filter element
5. Air-filter housing
6. Back of the machine

3. Pull the latch outward and rotate the air cleaner cover counterclockwise (Figure 33).
4. Remove the cover from the air cleaner body.
5. Gently slide the air-filter element out of the air-filter housing (Figure 33) to reduce the amount of dust dislodged.

Note: Avoid knocking the filter against the air-filter housing.

6. Inspect the air-filter element.
 - If the air-filter element is clean, install the filter element, refer to [Installing the Filter](#) (page 31).
 - If the air-filter element is damaged, replace the filter element; refer to .

Replacing the Air Filter

1. Remove the air-filter element; refer to steps 1 through 5 in [Checking the Filter \(page 30\)](#).

2. Inspect the new filter for shipping damage.

Note: Check the sealing end of the filter.

Important: Do not install a damaged filter.

3. Install the new air filter; refer to [Installing the Filter \(page 31\)](#).

Installing the Filter

Important: To prevent engine damage, always operate the engine with the complete air cleaner assembly installed.

Note: Do not use a damaged element.

Note: Cleaning of the used air-filter element is not recommended due to the possibility of damage to the filter media.

1. Clean the dirt ejection port located on the air-filter cover ([Figure 33](#)).
2. Remove the rubber outlet valve from the cover, clean the cavity, and replace the outlet valve ([Figure 33](#)).
3. Insert the air-filter element into air-filter housing by applying pressure to the outer rim of the element to seat it into the air-filter housing ([Figure 33](#)).

Note: Ensure that the filter is sealed properly by applying pressure to the outer rim of the filter when installing it. Do not press on the flexible center of the filter.

4. Align the air-cleaner cover with the air-cleaner housing with the the rubber outlet valve in a downward position—between approximately 5:00 to 7:00 O'clock when viewed from the end ([Figure 33](#)).
5. Secure the cover to the housing with the latches ([Figure 33](#)).
6. Lower the cargo box; refer to [Lowering the Cargo Box \(page 17\)](#).

Servicing the Engine Oil

Note: Change the oil and oil filter more frequently when operating conditions are extremely dusty or sandy.

Oil Type: Detergent oil (API service CH-4, CI-4, CJ-4, or higher)

Viscosity: See the table below

Crankcase Capacity: 1.4 liters. (48 oz. or 1.5 qt) when the filter is changed

USE THESE SAE VISCOSITY OILS

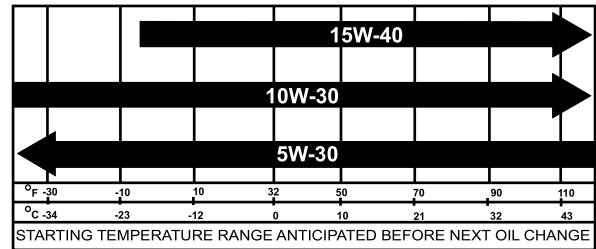


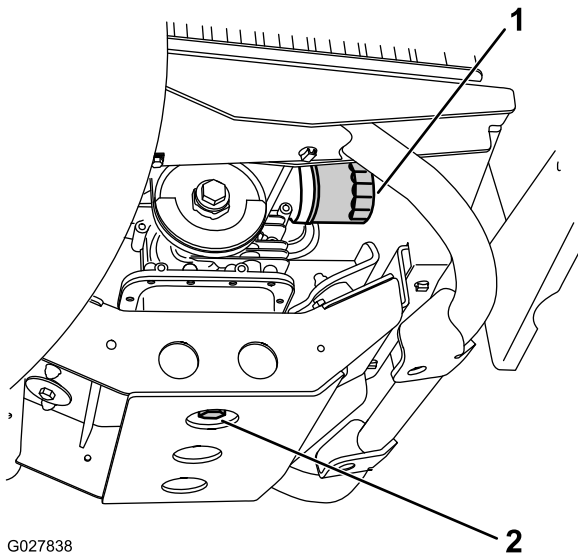
Figure 34

Changing the Oil

Service Interval: After the first 50 hours

Every 150 hours (twice as often in special operating conditions; refer to [Maintaining the Vehicle under Special Operating Conditions](#)).

1. Start the vehicle and let it run for a few minutes to warm the oil.
2. Park the machine on a level surface, set the parking brake, turn the ignition off, and remove the key.
3. Raise the cargo box and secure it with the prop rod; refer to [Raising the Cargo Box \(page 17\)](#).
4. Disconnect the positive battery cable; refer to [Disconnecting the Battery \(page 33\)](#).
5. Align a drain pan with a 1.6 L (1.7 qt) capacity under the drain plug ([Figure 35](#)).



G027838

Figure 35

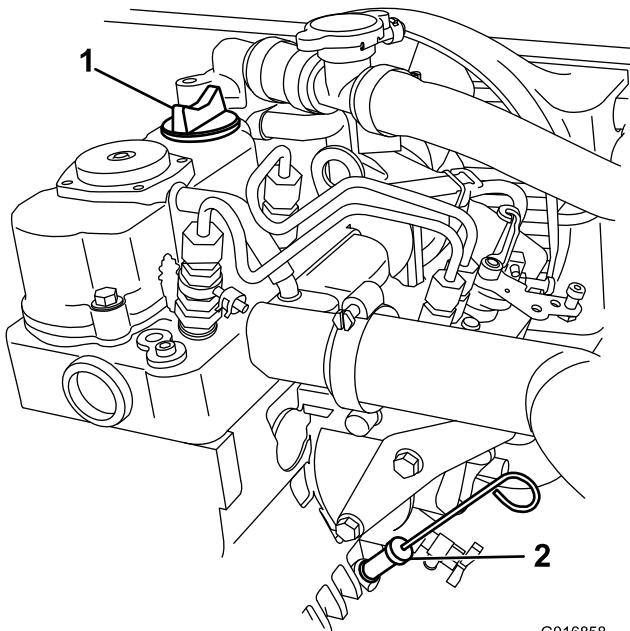
1. Engine oil filter 2. Engine oil drain plug

6. Remove the drain plug (Figure 35).

Note: Allow the oil to completely drain from the engine.

Note: Dispose of the used oil at a certified recycling center.

7. Install the drain plug and seal (Figure 35), and torque the plug to 45 to 53 N-m (33 to 39 ft-lb).
 8. Clean around the oil dipstick and fill cap, and remove the dipstick (Figure 36).



G016858

Figure 36

1. Fill cap 2. Dipstick

9. Pour oil into the fill opening until the oil level is up to the Full mark on the dipstick.

10. Add the oil slowly and check the level often during this process.

Note: Do not overfill the engine with oil.

11. Install the oil-fill cap and dipstick firmly in place.

Changing the Oil Filter

Service Interval: Every 150 hours/Yearly (whichever comes first) Change the oil twice as often during special operating conditions; refer to Maintaining the Vehicle under Special Operating Conditions.

1. Drain the oil from the engine; refer to steps 1 through 7 in [Changing the Oil \(page 31\)](#).
2. Remove the existing oil filter (Figure 35).
3. Apply a light coat of clean oil to the new filter gasket.
4. Thread the new filter onto the filter adapter until the gasket contacts the mounting plate, then tighten the filter an additional 1/2 to 3/4 turn further (Figure 35).

Note: Do not overtighten the oil filter.

5. Fill the crankcase with the specified oil; refer to [Figure 34](#).
6. Start and run the engine to check for leaks.
7. Stop the engine and check the oil level.

Note: If necessary, add the specified oil into the engine until the oil level is at the Full mark on the dipstick.

Fuel System Maintenance

Inspecting Fuel Lines and Connections

Service Interval: Every 400 hours/Yearly (whichever comes first)

Inspect the fuel lines, fittings, and clamps for signs of leaking, deterioration, damage, or loose connections.

Note: Repair any damaged or leaking fuel system component before using the machine.

Replacing the Fuel Filter

Service Interval: Every 800 hours/Yearly (whichever comes first)

1. Raise the box and support it with the prop rod.
2. Place a clean container under the fuel filter.
3. Unscrew the fuel filter from the bracket (Figure 37).

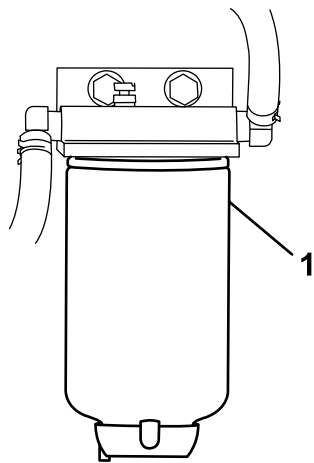


Figure 37

1. Fuel filter

4. Install the replacement filter by turning it until the filter contacts the top of the bracket, then tighten it an additional 3/4 of a turn.

Electrical System Maintenance

Servicing the Battery

Battery voltage: 12 volt with 540 cold cranking amps at -18° C (0° F).

WARNING

CALIFORNIA Proposition 65 Warning

Battery posts, terminals, and related accessories contain lead and lead compounds, chemicals known to the State of California to cause cancer and reproductive harm.
Wash hands after handling.

⚠ DANGER

Battery electrolyte contains sulfuric acid which is a deadly poison and causes severe burns.

- Do not drink electrolyte or allow it to contact your skin, eyes or clothing. Wear safety glasses to shield your eyes and rubber gloves to protect your hands.
- Fill the battery where clean water is always available for flushing the skin.
- Always keep the battery clean and fully charged.
- Always keep the battery clean and fully charged.
- If the battery terminals are corroded, clean them with a solution of 4 parts water and 1 part baking soda.
- Apply a light coating of grease to the battery terminals to prevent corrosion.

Disconnecting the Battery

⚠ WARNING

Incorrect battery cable routing could damage the vehicle and cables, causing sparks. Sparks can cause the battery gasses to explode, resulting in personal injury.

- Always disconnect the negative (black) battery cable before disconnecting the positive (red) cable.
- Always reconnect the positive (red) battery cable before reconnecting the negative (black) cable.
- Always keep the battery strap in place to protect and secure the battery.

⚠ WARNING

Battery terminals or metal tools could short against metal vehicle components, causing sparks. Sparks can cause the battery gasses to explode, resulting in personal injury.

- When removing or installing the battery, do not allow the battery terminals to touch any metal parts of the vehicle.
- Do not allow metal tools to short between the battery terminals and metal parts of the vehicle.

1. Squeeze the sides of the battery cover and remove the cover from the top of the battery (Figure 38).

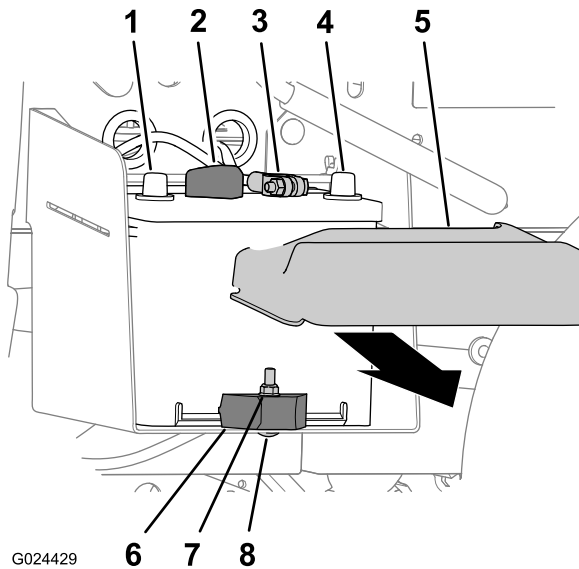


Figure 38

- | | |
|------------------------------|------------------|
| 1. Positive-battery terminal | 5. Battery cover |
| 2. Positive-battery cable | 6. Locknut |
| 3. Negative-battery cable | 7. Battery clamp |
| 4. Negative-battery terminal | 8. Carriage bolt |

2. Disconnect the positive-battery cable from the terminal of the battery (Figure 38).
3. Disconnect the negative-battery cable from the terminal of the battery (Figure 38).

Removing the Battery

1. Disconnect the battery cables; refer to [Disconnecting the Battery](#) (page 33).
2. Remove the locknut, carriage bolt, and battery clamp that secures the battery to the battery tray (Figure 38).
3. Remove the battery from the battery tray (Figure 38).

Installing the Battery

1. Align the battery to the battery tray of the machine (Figure 38).

Note: Ensure that the positive and negative posts of the battery are aligned as shown in Figure 38.

2. Secure the battery to the battery tray with the battery clamp, carriage bolt, and locknut (Figure 38).
3. Connect the battery cables; refer to [Connecting the Battery](#) (page 34).

Connecting the Battery

1. Connect the positive-battery cable to the terminal of the battery (Figure 38).
2. Connect the negative-battery cable to the terminal of the battery (Figure 38).
3. Install the battery cover onto the top of the battery (Figure 38).

Charging the Battery

⚠ WARNING

Charging the battery produces gasses that can explode.

Never smoke near the battery and keep sparks and flames away from battery.

Important: Always keep the battery fully charged (1.260 specific gravity). This is especially important to prevent battery damage when the temperature is below 0° C (32° F).

1. Remove the battery from the machine; refer to [Removing the Battery](#) (page 34).
2. Connect a 3 to 4 amp battery charger to the battery posts. Charge the battery at a rate of 3 to 4 amp for 4 to 8 hours (12 volts).

Note: Do not overcharge the battery.

3. Install the battery in the chassis; refer to [Installing the Battery](#) (page 34).

Storing the Battery

If the machine will be stored for more than 30 days, remove the battery and charge it fully. Either store it on the shelf or on the machine. Leave the cables disconnected if it is stored on the machine. Store the battery in a cool atmosphere to avoid quick deterioration of the charge in the battery. To prevent the battery from freezing, make sure it is fully charged.

Replacing the Fuses

There are 7 fuses in the electrical system. They are located beneath the dash on the driver's side (Figure 39).

Alarm/Power Point	10 A
Engine	10 A
Headlights	10 A
Machine fuse	15 A
Lift	15 A
Rear lift	15 A
Horn	30 A

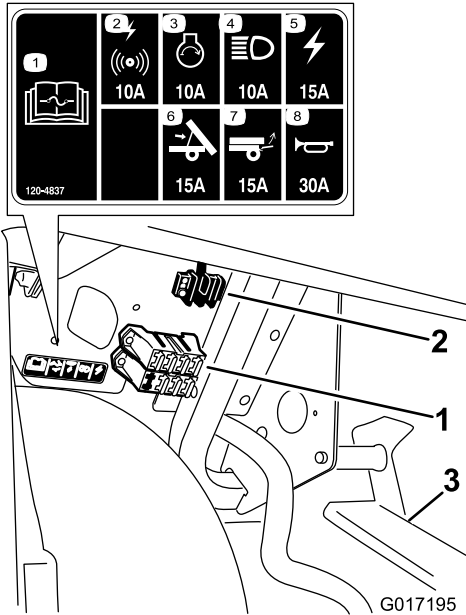


Figure 39

- 1. Fuse block
- 2. Ground block
- 3. Pedal assembly

Maintaining the Headlights

Replacing the Bulbs

CAUTION

The halogen bulbs become extremely hot when in operation. Handling a hot bulb can cause severe burns and personal injury.

Always allow enough time for the bulbs to cool before replacing them. Use care whenever handling the bulb.

CAUTION

Any surface contamination can damage the headlight bulb and lead to its failure or explosion creating a serious safety hazard.

Head light lamps should be handled without touching the clear quartz, either by using a clean paper towel or carefully holding the base.

Specification: See your *Parts Catalog*.

1. Disconnect the battery; refer to [Disconnecting the Battery](#) (page 33).
2. Open the hood; refer to [Raising the hood](#) (page 26).
3. Disconnect the electrical connector for the harness from the connector of the lamp assembly at the back of the headlight housing (Figure 40).

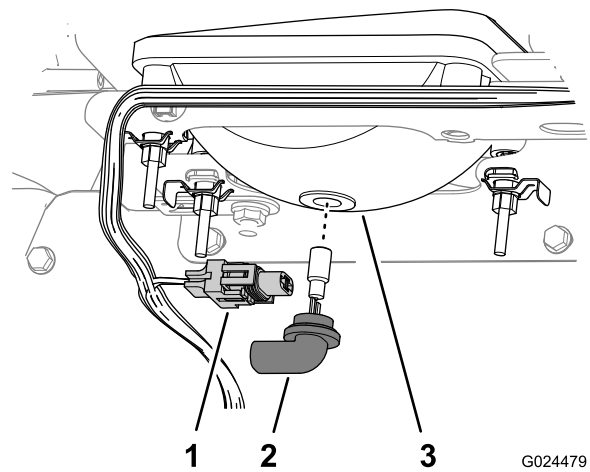


Figure 40

- 1. Harness-electrical connector
- 2. Lamp assembly
- 3. Headlight housing

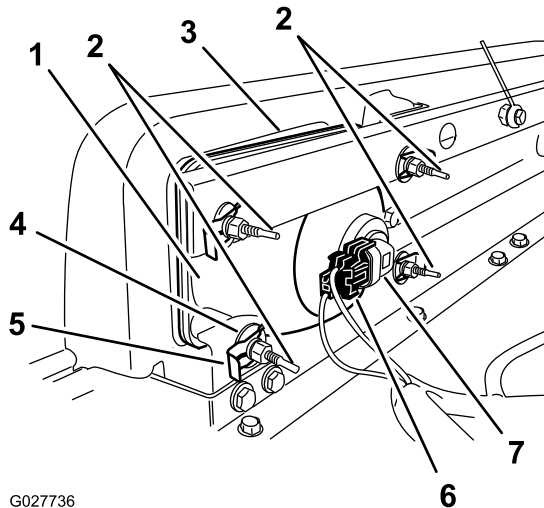
4. Rotate the lamp assembly 1/4 turn counterclockwise and moving it rearward, out of the headlight housing (Figure 40).

5. Insert the new lamp assembly and headlight housing and align the tabs in the lamp assembly with the slots in the headlight housing (Figure 40).
- Note:** Take care not to touch the halogen lamp when installing the new light bulb.
6. Secure lamp assembly by turning it 1/4 turn clockwise (Figure 40).
 7. Connect the electrical connector for the harness to the connector of the new lamp assembly (Figure 40).
 8. Connect the battery and close the hood; refer to [Connecting the Battery \(page 34\)](#).

7. Secure the headlight assembly with the washers and speed clips that you removed in step 4.
8. Connect the electrical connector for the harness to the connector of the lamp assembly (Figure 41).
9. Adjust the headlights to direct the beams to the desired position, refer to [Adjusting the Headlights \(page 36\)](#).

Replacing the Headlight

1. Disconnect the battery; refer to [Disconnecting the Battery \(page 33\)](#).
2. Open the hood; refer to [Raising the hood \(page 26\)](#).
3. Disconnect the electrical connector for the harness from the connector of the lamp assembly (Figure 41).



G027736

Figure 41

- | | |
|--------------------------|---------------------------------|
| 1. Headlight | 5. Speed clip |
| 2. Adjustment screw | 6. Harness-electrical connector |
| 3. Opening in the bumper | 7. Lamp assembly |
| 4. Flat washer | |

4. Remove the speed clips and washers that secure the headlight to the headlight bracket (Figure 41).

Note: Retain all parts for installation of the new headlight.

5. Remove the headlight assembly by moving it forward through the opening in the front bumper (Figure 41).
6. Install the new headlight through the opening in the bumper (Figure 41).

Note: Ensure the adjustment posts are lined up with the holes in the mounting bracket behind the bumper.

Adjusting the Headlights

Use the following procedure to adjust the headlight beam position whenever a headlight assembly is replaced or removed.

1. Turn the starter key to the On position, and turn on the headlights.
2. At the back of the headlight assembly, rotate adjustment screws (Figure 41) to pivot the headlight assembly and align the position of the cast beam.
3. Connect the battery and close the hood; refer to [Connecting the Battery \(page 34\)](#).

Drive System Maintenance

Maintaining the Tires

Service Interval: Every 100 hours—Check the condition of the tires and rims.

Every 100 hours—Torque the wheel-lug nuts.

1. Inspect the tires and rims for signs of wear and damage.

Note: Operating accidents, such as hitting curbs, can damage a tire or rim and also disrupt wheel alignment, so inspect tire condition after an accident.

2. Torque the wheel-lug nuts to 61 to 88 N-m (45 to 65 ft-lb).

Adjusting the Front Wheel Toe-in and Camber

Service Interval: Every 100 hours/Yearly (whichever comes first)—Check the front wheel toe-in and camber.

Important: You will need to obtain tool number **TORO 6010** from your Toro Distributor to perform this procedure.

The toe-in should be 0 to 6 mm (0 to 1/4 inch) and the camber should be 0+1/2 degree, i.e., the bottom of the wheel rims angled in 2.3 mm (0.09 inch) more than the top, with the following parameters:

- Check the tire pressure to ensure that the front tires are inflated to 82 kPa (12 psi).
- Either, add weight to the driver's seat equal to the average operator who will run the machine, or have an operator sit on the seat. The weight or operator must remain on the seat for the duration of the procedure.
- On a level surface, roll the machine straight back 2 to 3 m (6 to 10 ft) and then straight forward to the original starting position. This will allow the suspension to settle into the operating position.
- Measure the toe-in with the wheels facing straight ahead.
 1. To check the camber, place a 90 degree square on the ground with the vertical edge touching the face of the tire (Figure 42).

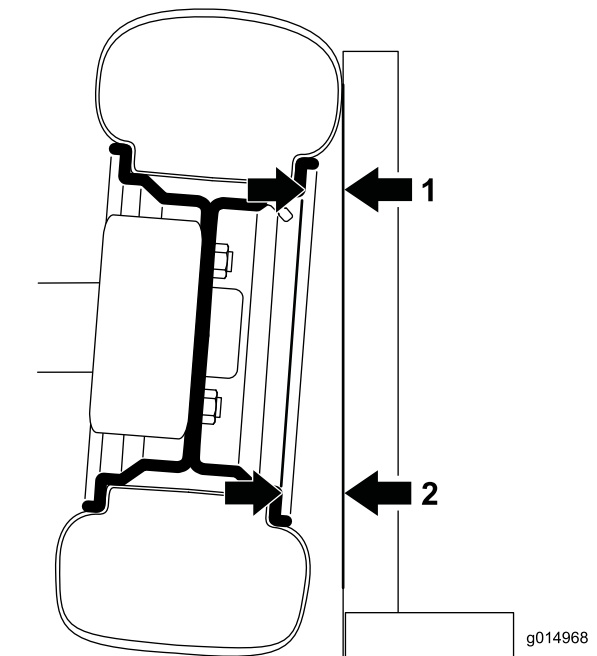


Figure 42

Left, front wheel shown from the front; the angle is exaggerated for illustrative purposes

1. Measure here
 2. Measure here—should be 2.3 mm (0.09 inch) larger than the measurement at 1
-
2. Measure from the same part of the rim on the top and bottom of the tire to the square (Figure 42).

Note: The distance of the bottom measurement should be 2.3 mm (0.09 inch) larger than the top measurement. Complete the measurement on both front tires before adjusting.

Complete the following procedure for each tire that needs adjusting:
 3. Using tool TORO 6010, rotate the collar on the shock absorber to change the length of the spring (Figure 43).
 - If the bottom measurement was too short, reduce the length of the spring.
 - If the bottom measurement was too long, increase the length of the spring.

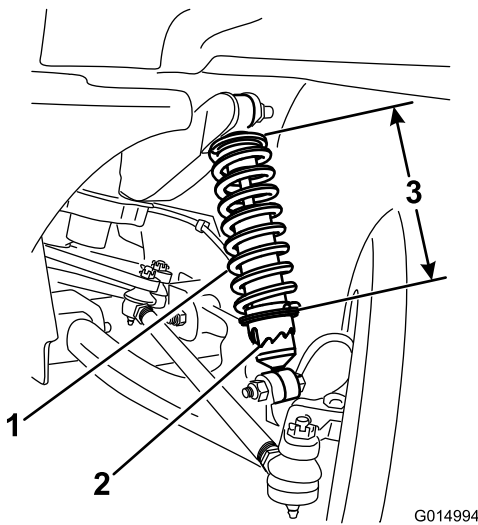


Figure 43

1. Shock-absorber spring
2. Collar
3. Spring length

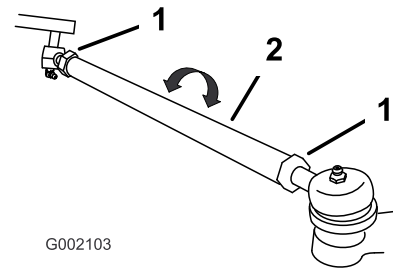


Figure 45

1. Jam nut
2. Tie rod

4. On a level surface, roll the machine straight back 2 to 3 m (6 to 10 ft) and then straight forward to the original starting position.
5. Repeat this procedure, starting with step 1 until the camber is set correctly for both front wheels.
6. Measure the distance between both of the front tires at the axle height at both the front and rear of the front tires (Figure 44).

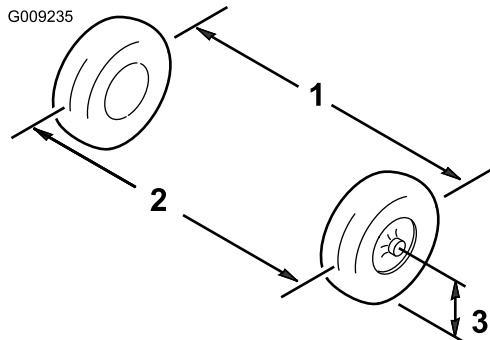


Figure 44

1. Tire center line—back
2. Tire center line—front
3. Axle center line

7. If the measurement does not fall within 0 to 6 mm (0 to 1/4 inch), loosen the jam nuts at both ends of the tie rods (Figure 45).

8. Rotate both tie rods to move the front of the tire inward or outward.
9. Tighten the tie rod jam nuts when the adjustment is correct.
10. Ensure that there is full travel of the steering wheel in both directions.

Checking the Transaxle Oil Level

Service Interval: Every 100 hours

Oil Type: SAE 10W30 (API service SJ or higher)

1. Move the machine to a level surface, shut off the engine, set the parking brake, and remove the starter key.
2. Remove the bolt from the level indicating hole (Figure 46).

Note: The transaxle fluid level should be at the bottom of the level indicator hole.

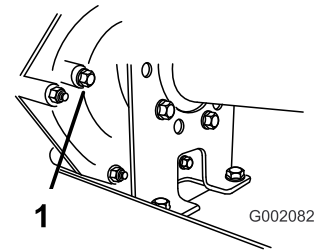


Figure 46

1. Level indicator hole
3. If the transaxle oil is not level with the bottom of the level indicating hole, fill the reservoir with the specified oil; refer to [Changing the Transaxle Oil](#) (page 39).

Changing the Transaxle Oil

Service Interval: Every 800 hours/Yearly (whichever comes first)

Oil Type: SAE 10W30 (API service SJ or higher)

Oil Capacity: 1.4 L (1.5 qt)

1. Position the vehicle on a level surface, set the parking brake, rotate the On/Off switch to the Off position, and remove the key.
2. Wipe the area around the fill and drain plugs clean with a rag (Figure 47).

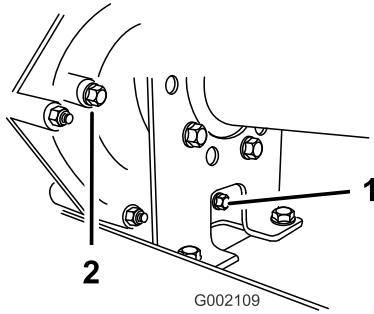


Figure 47

1. Drain plug
2. Fill plug

3. Align a drain pan with a capacity of 2 L (2.1 qt) or more under the drain plug.
4. Remove the fill plug by rotating it counterclockwise (Figure 47).

Note: Retain the fill plug and gasket for installation in step 8.

5. Remove the drain plug by rotating it counterclockwise (Figure 47).

Note: Retain the drain plug and gasket for installation in step 6.

Note: Allow the oil to drain from the transaxle completely.

6. Install and tighten the drain plug and gasket into the drain-plug hole of the transmission (Figure 47).

Note: Dispose of the used oil at a certified recycling center.

7. Fill the reservoir (Figure 48) through the fill-plug hole with approximately 1.4 L (1-1/2 qt) of the specified oil or until the oil level in the transmission is even with the bottom of the threads. (Figure 47).

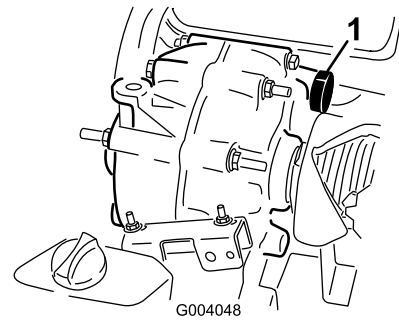


Figure 48

1. Oil fill
-
8. Install and tighten the fill plug and gasket into the fill-plug hole of the transmission (Figure 47).
 9. Start the engine and operate the machine.
 10. Check the oil level and add more oil if the level is below the threads of the fill-plug hole (Figure 47).

Checking and Adjusting the Neutral Position

Service Interval: Every 100 hours

When performing routine maintenance and/or engine diagnostics, the transaxle must be shifted into neutral (Figure 49). The vehicle has a neutral position on the shift lever, which controls the neutral in the transaxle. The following steps should be taken to make sure that the neutral shift lever operates the transaxle neutral correctly:

1. Set the shift lever into the Neutral position.
2. Ensure that the neutral bracket is in the Neutral position (level to the cable mounting bracket located below the shift bracket) by turning the driven clutch (Figure 49).

Note: The vehicle should not roll back and forth. If it does, manually move the neutral bracket to the Neutral position.

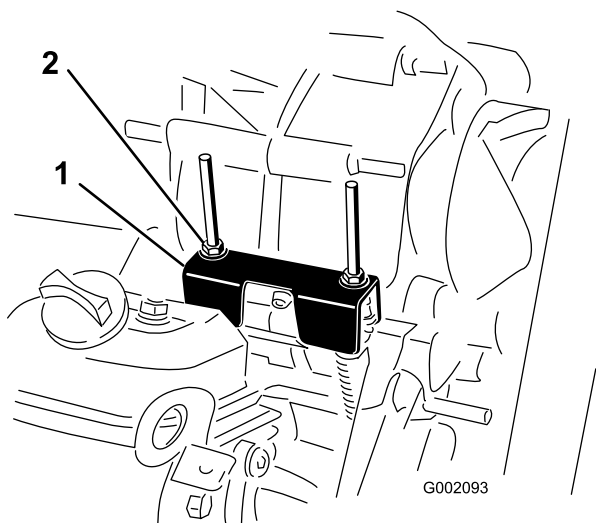


Figure 49

1. Neutral bracket
2. Locknuts

3. Tighten 1 of the locknuts (Figure 49) to achieve a gap of 0.76-1.52 mm (0.03-0.06 inch).

Note: You must hold the threaded shaft below the bracket to tighten the locknut on top.

4. Tighten the other locknut to achieve a gap of 0.76-1.52 mm (0.03-0.06 inch).
5. Pull up on each shift cable and ensure that there is a 0.76-1.52 mm (0.03-0.06 inch) gap between the nut/washer and the neutral bracket (Figure 50).

Note: If there is not a gap adjust the nuts to achieve a gap of 0.76-1.52 mm (0.03-0.06 inch).

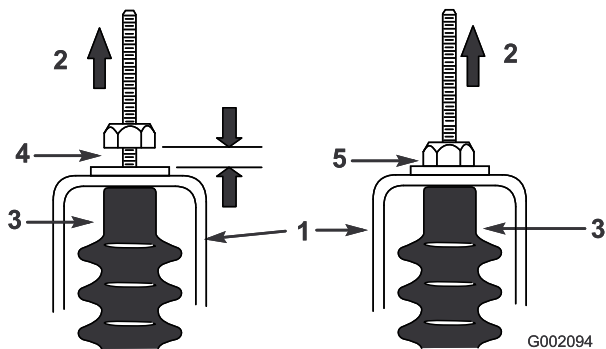


Figure 50

1. Neutral bracket
2. Pull up
3. Cable boot
4. 0.76-1.52 mm (0.03-0.06 inch) gap
5. Wrong, adjust to achieve a gap of 0.76-1.52 mm (0.03-0.06 inch)

6. Start the engine and shift into Forward, Reverse, and Neutral several times to ensure that the neutral bracket is operating properly.

Inspecting the Primary Drive Clutch

Service Interval: Before each use or daily

Clutch operation should be monitored daily for proper shifting. If shifting is sticky or sluggish, or the clutch does not return completely to neutral when idling, the clutch requires a simple cleaning.

Note: Focus debris removal in and around moving parts.

1. Stop the engine, remove the key, and set the parking brake.
2. Raise and latch the cargo box.
3. Remove dirt and mud buildup on the clutch with water and dry the clutch immediately with compressed air to remove excess water and debris.

Note: Remaining debris may be removed using a fast drying contact cleaner.

Maintaining the Primary Drive Clutch

Service Interval: Every 200 hours—Clean the primary drive clutch (more often in dusty or muddy conditions).

Note: Operating the vehicle with a dirty clutch can increase wear to internal components.

1. Stop the engine, remove the key, and set the parking brake.
2. Raise and latch the cargo box.
3. Remove the 6 flange-head bolts securing the clutch cover.
4. Set aside the cover, spacer, and spring (Figure 51).

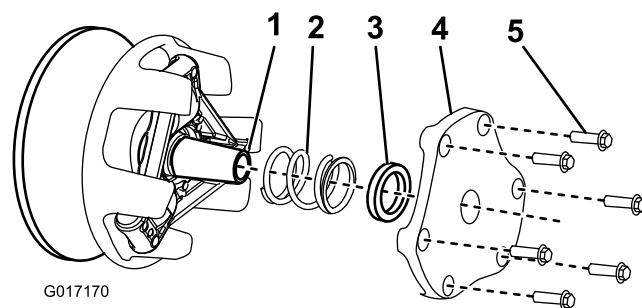


Figure 51

1. Clutch shaft
2. Spring
3. Spacer
4. Clutch cover
5. Flange-head bolt

5. Remove dirt and mud buildup with water and dry immediately with compressed air to remove excess water and debris.

6. Remove any remaining debris using a fast-drying contact cleaner or brake cleaner.

Note: Remove the debris in and around moving parts.

7. If debris or buildup exists around the belt or along the clutch shaft, use a fine abrasive pad or a similar product to remove it.
8. Install the spring, clutch cover, and flange-head bolts.
9. Torque the bolts to 12-13.5 N-m (105-120 in-lb).

Cooling System Maintenance

Cleaning the Engine Cooling Areas

Service Interval: Every 100 hours

Clean the external surfaces of the engine every 100 operating hours or more often under extremely dusty and dirty conditions.

Important: Never clean the engine with pressurized water because water could contaminate the fuel system.

Filling the Radiator

Initial Fill/Filling after Flushing

Service Interval: Every 1,000 hours/Every 2 years (whichever comes first)

Note: Use a 50/50 mix of Ethylene Glycol and water for coolant.

1. Position the vehicle on a level surface, set the parking brake, turn the ignition off, and remove the key.

⚠ CAUTION

If the engine has been running, the pressurized, hot coolant can escape and cause burns.

- Do not open the radiator cap when the engine is running.
- Allow engine to cool at least 15 minutes or until the radiator cap is cool enough to touch without burning your hand.
- Use a rag when opening the radiator cap, and open the cap slowly to allow steam to escape.

2. Remove the fill cap (Figure 52) and fill with coolant.

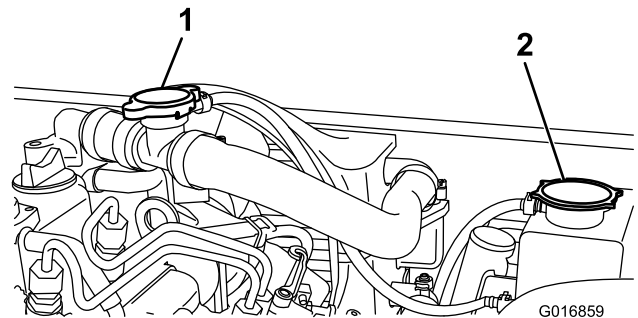


Figure 52

1. Fill cap
2. Radiator overflow tank cap

3. Replace the fill cap and remove the radiator overflow tank cap (Figure 52).

Note: Never leave both caps off at the same time. This will adversely affect the filling of the tank.

4. Fill with coolant to the bottom of the filler neck. **Do not overfill.** Replace the radiator overflow tank cap and clean any spills.

Checking and Refilling the Radiator

Service Interval: Before each use or daily

Note: Use a 50/50 mix of ethylene glycol and water for coolant.

1. Position the vehicle on a level surface, set the parking brake, turn the ignition off, and remove the key.

⚠ CAUTION

If the engine has been running, the pressurized, hot coolant can escape and cause burns.

- Do not open the radiator cap when the engine is running.
 - Allow engine to cool at least 15 minutes or until the radiator cap is cool enough to touch without burning your hand.
 - Use a rag when opening the radiator cap, and open the cap slowly to allow steam to escape.
2. Remove the radiator overflow tank cap (Figure 52).
 3. If the coolant level is low, fill the tank with coolant to the bottom of the filler neck.

Note: Do not overfill.

4. Replace the radiator overflow tank cap and clean any spills.

Brake Maintenance

Inspecting the Brakes

Service Interval: Every 100 hours

Brakes are a critical safety component of the vehicle. As with all safety components, they should be closely inspected at regular intervals to ensure optimum performance and safety. The following inspections should be done every 100 hours:

- Inspect the brake shoes for wear or damage. If the lining (brake pad) thickness is less than 1.6 mm (1/16 inch), the brake shoes should be replaced.
- Inspect the backing plate and other components for signs of excessive wear or deformation. If any deformation is found, the appropriate components must be replaced.
- Check the brake fluid level; refer to [Checking the Brake Fluid Level](#) (page 19).

Adjusting the Parking-Brake Handle

Service Interval: Every 200 hours

1. Remove the hand grip from the parking-brake lever (Figure 53).

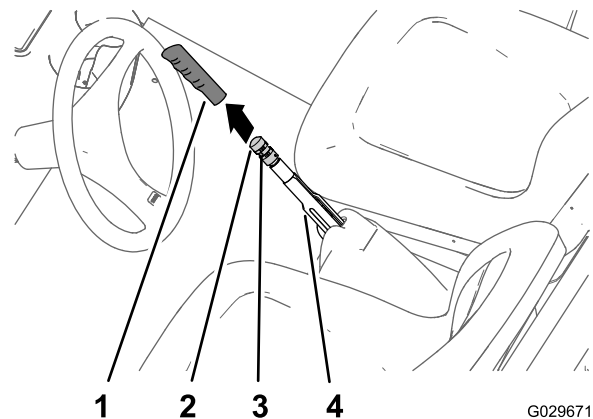


Figure 53

- | | |
|--------------------------|------------------------|
| 1. Hand grip | 3. Set screw |
| 2. Brake-adjustment knob | 4. Parking-brake lever |

2. Loosen the set screw securing the brake-adjustment knob to the parking-brake lever (Figure 53).
3. Rotate the brake-adjustment knob until a brake-lever force of 133 to 156 N-m (30 to 35 ft-lb) is required to set the parking-brake lever (Figure 53).

Note: If you rotated the brake-adjustment knob the full travel of the adjuster and cannot attain the lever force of 133 to 156 N-m (30 to 35 ft-lb) that is required to set the parking-brake lever, perform the procedure for adjusting the brake cables; refer to [Adjusting the Brake Cables](#) (page 43).

4. Tighten the set screw and install the hand grip (Figure 53).

Adjusting the Brake Cables

1. Remove the hand grip from the parking brake (Figure 53).
2. Loosen the set screw (Figure 53) securing the brake-adjustment knob to the parking-brake lever, release the parking brake, and loosen the brake-adjustment knob.
3. At the bottom of the machine, loosen the rear-jam nut for the threaded adjuster of the parking-brake cable 4 turns (Figure 54).

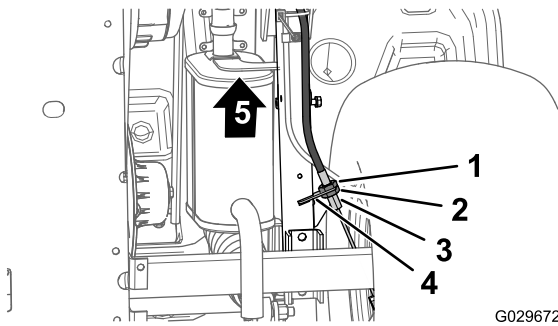


Figure 54

- | | |
|------------------------|--------------------------------------------|
| 1. Forward-jam nut | 4. Threaded adjuster (parking-brake cable) |
| 2. Rear-jam nut | 5. Front of the machine |
| 3. Brake-cable bracket | |

4. Tighten the forward jam nut (Figure 54).
5. Rotate the brake-adjustment knob (Figure 53) until a force of 133 to 156 N-m (30 to 35 ft-lb) is required to set the parking-brake lever.
 - If you cannot adjust the brake-adjustment knob by **loosening** it and set the parking-brake lever with a force of 133 to 156 N-m (30 to 35 ft-lb); perform the following:
 - A. Loosen the forward-jam nut (Figure 54) for the threaded adjuster of the parking-brake cable 1 turn.
 - B. Tighten the rear jam nut (Figure 54).
 - C. Rotate the brake-adjustment knob (Figure 53) until a force of 133 to 156 N-m (30 to 35 ft-lb) is required to set the parking-brake lever.
 - D. Repeat steps A through C up to 2 more times to attain the parking brake force between 133 to 156 N-m (30 to 35 ft-lb).
 - If you cannot adjust the brake-adjustment knob by **tightening** it and set the parking-brake lever with a force of 133 to 156 N-m (30 to 35 ft-lb); perform the following:

- A. Loosen the rear-jam nut (Figure 54) for the threaded adjuster of the parking-brake cable 1 turn.
- B. Tighten the forward jam nut (Figure 54).
- C. Rotate the brake-adjustment knob (Figure 53) until a force of 133 to 156 N-m (30 to 35 ft-lb) is required to set the parking-brake lever.
- D. Repeat steps A through C up to 3 more times to attain the parking brake force between 133 to 156 N-m (30 to 35 ft-lb).

Note: If you cannot adjust the parking-brake cable enough to get the brake-adjustment knob within its adjustment range, check the brake pads for excessive wear.

- Tighten the set screw and install the hand grip (Figure 53).

Changing the Brake Fluid

Service Interval: Every 1,000 hours

Refer to your authorized Authorized Service Dealer.

Belt Maintenance

Servicing the Drive Belt

New belts must be broken in before they will shift properly. A belt will break in within the first 2 hours of normal operation.

Checking the Drive Belt

Service Interval: After the first 8 hours

Every 200 hours

Note: If the unit continues to move when the engine is at low idle, the clutches may be dirty and require washing.

1. Park the machine on a level surface, set the parking brake, turn the ignition off, and remove the key.
2. Raise the cargo box and secure it with the prop rod; refer to [Raising the Cargo Box \(page 17\)](#).
3. Rotate and inspect the belt ([Figure 55](#)) for excessive wear or damage.

Note: Replace the belt if necessary.

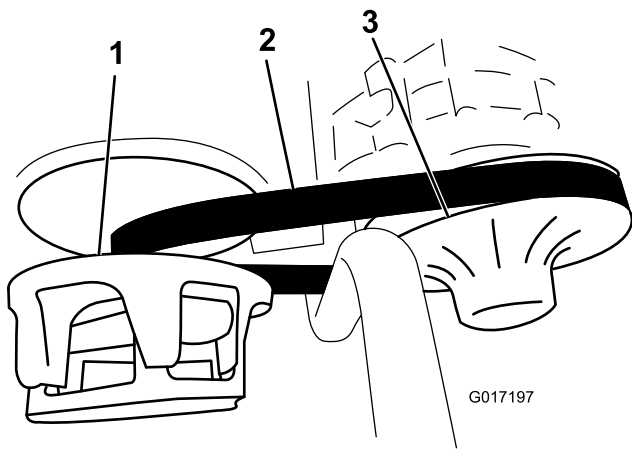


Figure 55

- | | |
|-------------------|---------------------|
| 1. Primary clutch | 3. Secondary clutch |
| 2. Drive belt | |

4. Lower the cargo box; refer to [Lowering the Cargo Box \(page 17\)](#).

Replacing the Drive Belt

1. Raise the cargo box; refer to [Raising the Cargo Box \(page 17\)](#).
2. Shift the transmission into Neutral, set the parking brake, shut off the engine, and remove the ignition key.
3. Rotate and route the belt over the secondary clutch ([Figure 55](#)).
4. Remove the belt from the primary clutch ([Figure 55](#)).
Note: Discard the old belt.
5. Align the new belt over the primary clutch ([Figure 55](#)).
6. Rotate and route the belt over the secondary clutch ([Figure 55](#)).
7. Lower the cargo box; refer to [Lowering the Cargo Box \(page 17\)](#).

Checking the Belt-pull Bumper

Note: The belt-pull bumper needs to be checked only when troubleshooting vibration, performing a rebuild, or experiencing an engine mount failure.

The belt-pull bumper ([Figure 56](#)) should maintain a gap of 2.2 mm (0.09 inches).

If the bumper is too close to the engine bracket, the belt will cause excessive vibration.

If the bumper is too far from the engine bracket, the belt will cause harmful engine stress.

To adjust the gap, loosen the 3 flange-head bolts securing the bracket to the frame and slide the bracket the appropriate distance.

Once the gap is correct, tighten the 3 flange-head bolts.

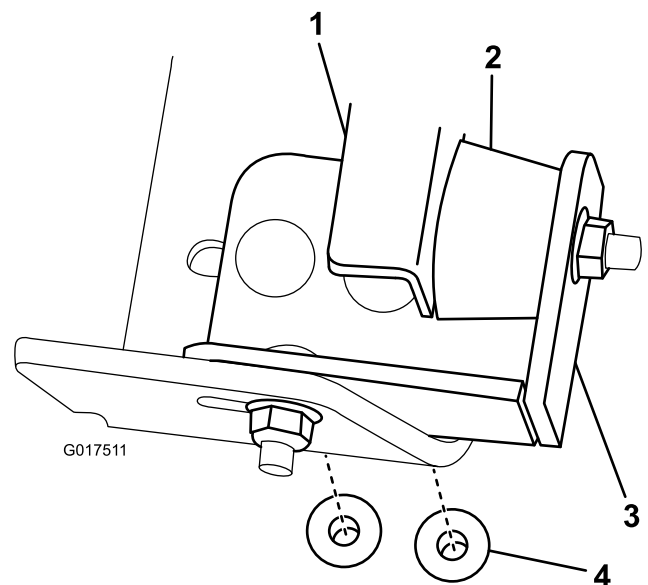


Figure 56

- | | |
|-------------------|---------------------|
| 1. Engine bracket | 3. Bracket |
| 2. Bumper | 4. Flange-head bolt |

Chassis Maintenance

Adjusting the Cargo-box Latches

If the cargo-box latch is out of adjustment, the cargo box vibrates up and down as you drive the vehicle. You can adjust the latch posts to make the latches hold the cargo box snugly to the chassis.

1. Loosen the locknut on the end of the latch post (Figure 57).

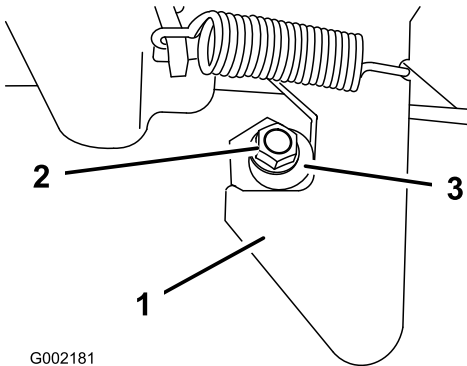


Figure 57

- | | |
|------------|---------------|
| 1. Latch | 3. Latch post |
| 2. Locknut | |

-
2. Rotate the latch post clockwise until it is snug against the hook portion of the latch (Figure 57).
 3. Torque the locknut to 19.7 to 25.4 N-m (175 to 225 in-lb).
 4. Repeat this steps 1 through 3 for the latch on the other side of the vehicle.

Cleaning

Washing the Vehicle

The vehicle should be washed as needed. Use water alone or with a mild detergent. A rag may be used, however the hood will lose some of its luster.

Important: Pressurized water is not recommended when washing the machine. It may damage the electrical system, loosen important decals, or wash away necessary grease at friction points. Avoid excessive use of water, especially near the control panel, engine, and battery.

Storage

1. Position the machine on a level surface, set the parking brake, stop the engine, and remove the ignition key.
2. Clean dirt and grime from the entire machine, including the outside of the engine cylinder head fins and blower housing.

Important: You can wash the machine with mild detergent and water. Do not use high-pressure water to wash the machine. Pressure washing may damage the electrical system or wash away necessary grease at friction points. Avoid excessive use of water, especially near the control panel, lights, engine, and the battery.

3. Inspect the brakes; refer to [Inspecting the Brakes \(page 42\)](#).
4. Service the air cleaner; refer to [Servicing the Air Cleaner \(page 30\)](#).
5. Grease the machine; refer to [Lubrication \(page 27\)](#).
6. Change the engine oil; refer to [Changing the Oil \(page 31\)](#).
7. Check the tire pressure; refer to [Checking the Tire Air Pressure \(page 20\)](#).
8. Flush the fuel tank with fresh, clean diesel fuel.
9. Remove the battery from the chassis.

Note: Do not connect the battery cables to the battery posts during storage.

Important: The battery must be fully charged to prevent it from freezing and being damaged at temperatures below 0 degrees C (32 degrees F). A fully charged battery maintains its charge for about 50 days at temperatures lower than 4 degrees C (40 degrees F). If the temperatures will be above 4 degrees C (40 degrees F), check the water level in the battery and charge it every 30 days.

10. Check and tighten all bolts, nuts, and screws. Repair or replace any part that is damaged.
11. Paint all scratched or bare metal surfaces.
Paint is available from your Authorized Service Dealer.
12. Store the machine in a clean, dry garage or storage area.
13. Remove the ignition key and put it in a safe place out of the reach of children.
14. Cover the machine to protect it and keep it clean.

International Distributor List

Distributor:	Country:	Phone Number:	Distributor:	Country:	Phone Number:
Agrolanc Kft	Hungary	36 27 539 640	Maquiver S.A.	Colombia	57 1 236 4079
Balama Prima Engineering Equip.	Hong Kong	852 2155 2163	Maruyama Mfg. Co. Inc.	Japan	81 3 3252 2285
B-Ray Corporation	Korea	82 32 551 2076	Mountfield a.s.	Czech Republic	420 255 704 220
Casco Sales Company	Puerto Rico	787 788 8383	Mountfield a.s.	Slovakia	420 255 704 220
Ceres S.A.	Costa Rica	506 239 1138	Munditol S.A.	Argentina	54 11 4 821 9999
CSSC Turf Equipment (pvt) Ltd.	Sri Lanka	94 11 2746100	Norma Garden	Russia	7 495 411 61 20
Cyril Johnston & Co.	Northern Ireland	44 2890 813 121	Oslinger Turf Equipment SA	Ecuador	593 4 239 6970
Cyril Johnston & Co.	Republic of Ireland	44 2890 813 121	Oy Hako Ground and Garden Ab	Finland	358 987 00733
Equiver	Mexico	52 55 539 95444	Parkland Products Ltd.	New Zealand	64 3 34 93760
Femco S.A.	Guatemala	502 442 3277	Perfetto	Poland	48 61 8 208 416
ForGarder OU	Estonia	372 384 6060	Pratoverde SRL.	Italy	39 049 9128 128
G.Y.K. Company Ltd.	Japan	81 726 325 861	Prochaska & Cie	Austria	43 1 278 5100
Geomechaniki of Athens	Greece	30 10 935 0054	RT Cohen 2004 Ltd.	Israel	972 986 17979
Golf international Turizm	Turkey	90 216 336 5993	Riversa	Spain	34 9 52 83 7500
Guandong Golden Star	China	86 20 876 51338	Lely Turfcare	Denmark	45 66 109 200
Hako Ground and Garden	Sweden	46 35 10 0000	Solvart S.A.S.	France	33 1 30 81 77 00
Hako Ground and Garden	Norway	47 22 90 7760	Spypros Stavrinides Limited	Cyprus	357 22 434131
Hayter Limited (U.K.)	United Kingdom	44 1279 723 444	Surge Systems India Limited	India	91 1 292299901
Hydroturf Int. Co Dubai	United Arab Emirates	97 14 347 9479	T-Markt Logistics Ltd.	Hungary	36 26 525 500
Hydroturf Egypt LLC	Egypt	202 519 4308	Toro Australia	Australia	61 3 9580 7355
Irrimac	Portugal	351 21 238 8260	Toro Europe NV	Belgium	32 14 562 960
Irrigation Products Int'l Pvt Ltd.	India	0091 44 2449 4387	Valtech	Morocco	212 5 3766 3636
Jean Heybroek b.v.	Netherlands	31 30 639 4611	Victus Emak	Poland	48 61 823 8369

European Privacy Notice

The Information Toro Collects

Toro Warranty Company (Toro) respects your privacy. In order to process your warranty claim and contact you in the event of a product recall, we ask you to share certain personal information with us, either directly or through your local Toro company or dealer.

The Toro warranty system is hosted on servers located within the United States where privacy law may not provide the same protection as applies in your country.

BY SHARING YOUR PERSONAL INFORMATION WITH US, YOU ARE CONSENTING TO THE PROCESSING OF YOUR PERSONAL INFORMATION AS DESCRIBED IN THIS PRIVACY NOTICE.

The Way Toro Uses Information

Toro may use your personal information to process warranty claims, to contact you in the event of a product recall and for any other purpose which we tell you about. Toro may share your information with Toro's affiliates, dealers or other business partners in connection with any of these activities. We will not sell your personal information to any other company. We reserve the right to disclose personal information in order to comply with applicable laws and with requests by the appropriate authorities, to operate our systems properly or for our own protection or that of other users.

Retention of your Personal Information

We will keep your personal information as long as we need it for the purposes for which it was originally collected or for other legitimate purposes (such as regulatory compliance), or as required by applicable law.

Toro's Commitment to Security of Your Personal Information

We take reasonable precautions in order to protect the security of your personal information. We also take steps to maintain the accuracy and current status of personal information.

Access and Correction of your Personal Information

If you would like to review or correct your personal information, please contact us by email at legal@toro.com.

Australian Consumer Law

Australian customers will find details relating to the Australian Consumer Law either inside the box or at your local Toro Dealer.



Toro General Commercial Product Warranty

A Two-Year Limited Warranty

Conditions and Products Covered

The Toro Company and its affiliate, Toro Warranty Company, pursuant to an agreement between them, jointly warrant your Toro Commercial product ("Product") to be free from defects in materials or workmanship for two years or 1500 operational hours*, whichever occurs first. This warranty is applicable to all products with the exception of Aerators (refer to separate warranty statements for these products). Where a warrantable condition exists, we will repair the Product at no cost to you including diagnostics, labor, parts, and transportation. This warranty begins on the date the Product is delivered to the original retail purchaser.

* Product equipped with an hour meter.

Instructions for Obtaining Warranty Service

You are responsible for notifying the Commercial Products Distributor or Authorized Commercial Products Dealer from whom you purchased the Product as soon as you believe a warrantable condition exists. If you need help locating a Commercial Products Distributor or Authorized Dealer, or if you have questions regarding your warranty rights or responsibilities, you may contact us at:

Toro Commercial Products Service Department
Toro Warranty Company
8111 Lyndale Avenue South
Bloomington, MN 55420-1196
952-888-8801 or 800-952-2740
E-mail: commercial.warranty@toro.com

Owner Responsibilities

As the Product owner, you are responsible for required maintenance and adjustments stated in your *Operator's Manual*. Failure to perform required maintenance and adjustments can be grounds for disallowing a warranty claim.

Items and Conditions Not Covered

Not all product failures or malfunctions that occur during the warranty period are defects in materials or workmanship. This warranty does not cover the following:

- Product failures which result from the use of non-Toro replacement parts, or from installation and use of add-on, or modified non-Toro branded accessories and products. A separate warranty may be provided by the manufacturer of these items.
- Product failures which result from failure to perform recommended maintenance and/or adjustments. Failure to properly maintain your Toro product per the Recommended Maintenance listed in the *Operator's Manual* can result in claims for warranty being denied.
- Product failures which result from operating the Product in an abusive, negligent, or reckless manner.
- Parts subject to consumption through use unless found to be defective. Examples of parts which are consumed, or used up, during normal Product operation include, but are not limited to, brake pads and linings, clutch linings, blades, reels, rollers and bearings (sealed or greasable), bed knives, spark plugs, castor wheels and bearings, tires, filters, belts, and certain sprayer components such as diaphragms, nozzles, and check valves, etc.
- Failures caused by outside influence. Conditions considered to be outside influence include, but are not limited to, weather, storage practices, contamination, use of unapproved fuels, coolants, lubricants, additives, fertilizers, water, or chemicals, etc.
- Failure or performance issues due to the use of fuels (e.g. gasoline, diesel, or biodiesel) that do not conform to their respective industry standards.

Countries Other than the United States or Canada

Customers who have purchased Toro products exported from the United States or Canada should contact their Toro Distributor (Dealer) to obtain guarantee policies for your country, province, or state. If for any reason you are dissatisfied with your Distributor's service or have difficulty obtaining guarantee information, contact the Toro importer.

- Normal noise, vibration, wear and tear, and deterioration.
- Normal "wear and tear" includes, but is not limited to, damage to seats due to wear or abrasion, worn painted surfaces, scratched decals or windows, etc.

Parts

Parts scheduled for replacement as required maintenance are warranted for the period of time up to the scheduled replacement time for that part. Parts replaced under this warranty are covered for the duration of the original product warranty and become the property of Toro. Toro will make the final decision whether to repair any existing part or assembly or replace it. Toro may use remanufactured parts for warranty repairs.

Deep Cycle and Lithium-Ion Battery Warranty:

Deep cycle and Lithium-Ion batteries have a specified total number of kilowatt-hours they can deliver during their lifetime. Operating, recharging, and maintenance techniques can extend or reduce total battery life. As the batteries in this product are consumed, the amount of useful work between charging intervals will slowly decrease until the battery is completely worn out. Replacement of worn out batteries, due to normal consumption, is the responsibility of the product owner. Battery replacement may be required during the normal product warranty period at owner's expense. Note: (Lithium-Ion battery only): A Lithium-Ion battery has a part only prorated warranty beginning year 3 through year 5 based on the time in service and kilowatt hours used. Refer to the *Operator's Manual* for additional information.

Maintenance is at Owner's Expense

Engine tune-up, lubrication, cleaning and polishing, replacement of filters, coolant, and completing recommended maintenance are some of the normal services Toro products require that are at the owner's expense.

General Conditions

Repair by an Authorized Toro Distributor or Dealer is your sole remedy under this warranty.

Neither The Toro Company nor Toro Warranty Company is liable for indirect, incidental or consequential damages in connection with the use of the Toro Products covered by this warranty, including any cost or expense of providing substitute equipment or service during reasonable periods of malfunction or non-use pending completion of repairs under this warranty. Except for the Emissions warranty referenced below, if applicable, there is no other express warranty. All implied warranties of merchantability and fitness for use are limited to the duration of this express warranty.

Some states do not allow exclusions of incidental or consequential damages, or limitations on how long an implied warranty lasts, so the above exclusions and limitations may not apply to you. This warranty gives you specific legal rights, and you may also have other rights which vary from state to state.

Note regarding engine warranty:

The Emissions Control System on your Product may be covered by a separate warranty meeting requirements established by the U.S. Environmental Protection Agency (EPA) and/or the California Air Resources Board (CARB). The hour limitations set forth above do not apply to the Emissions Control System Warranty. Refer to the Engine Emission Control Warranty Statement supplied with your product or contained in the engine manufacturer's documentation for details