



Count on it.

Parts Catalog

**72in Hydraulic Crumber
RT1200 Traction Unit**

Model No. 25448

Model No. 25448E



Ordering Replacement Parts

To order replacement parts, please supply the part number, the quantity, and the description of each part desired.

Understanding Reference Numbers

Each identified part in an illustration has a reference number. The reference number for a part also appears in the parts list, along with other information about the part.

This catalog uses two special reference number formats, one to indicate parts in a service assembly and another to indicate the quantity of a given part in an illustration.

Service Assembly Reference Numbers

Parts in service assemblies have reference numbers in the form a:b. The a represents the reference number of the entire service assembly and the b represents a sequential number unique to each part within the service assembly.

For example, a wheel assembly might be identified by reference number 6, the tire by 6:1, the valve by 6:2, and the wheel by 6:3. When you order the assembly identified by reference number 6, you receive all parts identified by reference numbers 6:1, 6:2, and 6:3. However, you may also order any part individually. Reference numbers of this type appear in illustration and in parts lists.

Reference Numbers Indicating Quantity

In an illustration, if a reference number indicates more than one part, the reference number has the form nX y. The n represents the quantity of the part, the X is the multiplication symbol, and the y represents the reference number.

For example, in an illustration, the reference number 2X 37 means that two of the parts identified by reference number 37 are indicated.

List of Abbreviations

AR: as required

ASM: assembly

BBC: blade brake control

BHTF: button head thread forming

CARR: carriage

CCW: counter clockwise

CW: clockwise

DEG: degrees

DPA: Dual Point Adjustment

ECM: electronic control module

EXT: external

FH: flat head

GA: gauge

HD: heavy-duty

HF: hex flange

HH: hex head

HHF: hex head flange

HHFTF: hex head flange thread forming

HJ: hex jam

HLH: hex lag head

HOC: height-of-cut

HP: high pressure

HSBH: hex socket button head

HSFH: hex socket flat head

HSH: hex socket head

HWH: hex washer head

HWHTF: hex washer head thread forming

HYD: hydraulic

LH: left hand

LP: low pressure

LPG: Liquefied Petroleum Gas

NI: nylon insert

NPTF: national pipe thread fine

PFH: phillips flat head

PPH: phillips pan head

PPHTF: phillips pan head thread forming

PRH: phillips round head

PTH: phillips truss head

PTO: power-take-off

RH: right hand

ROPS: roll-over protection system

RRB: rear roller brush

SFH: slotted fillister head

SHH: slotted hex head

SHWH: slotted hex washer head

SPH: slotted pan head

SQH: square head

SRH: slotted round head

STD: standard

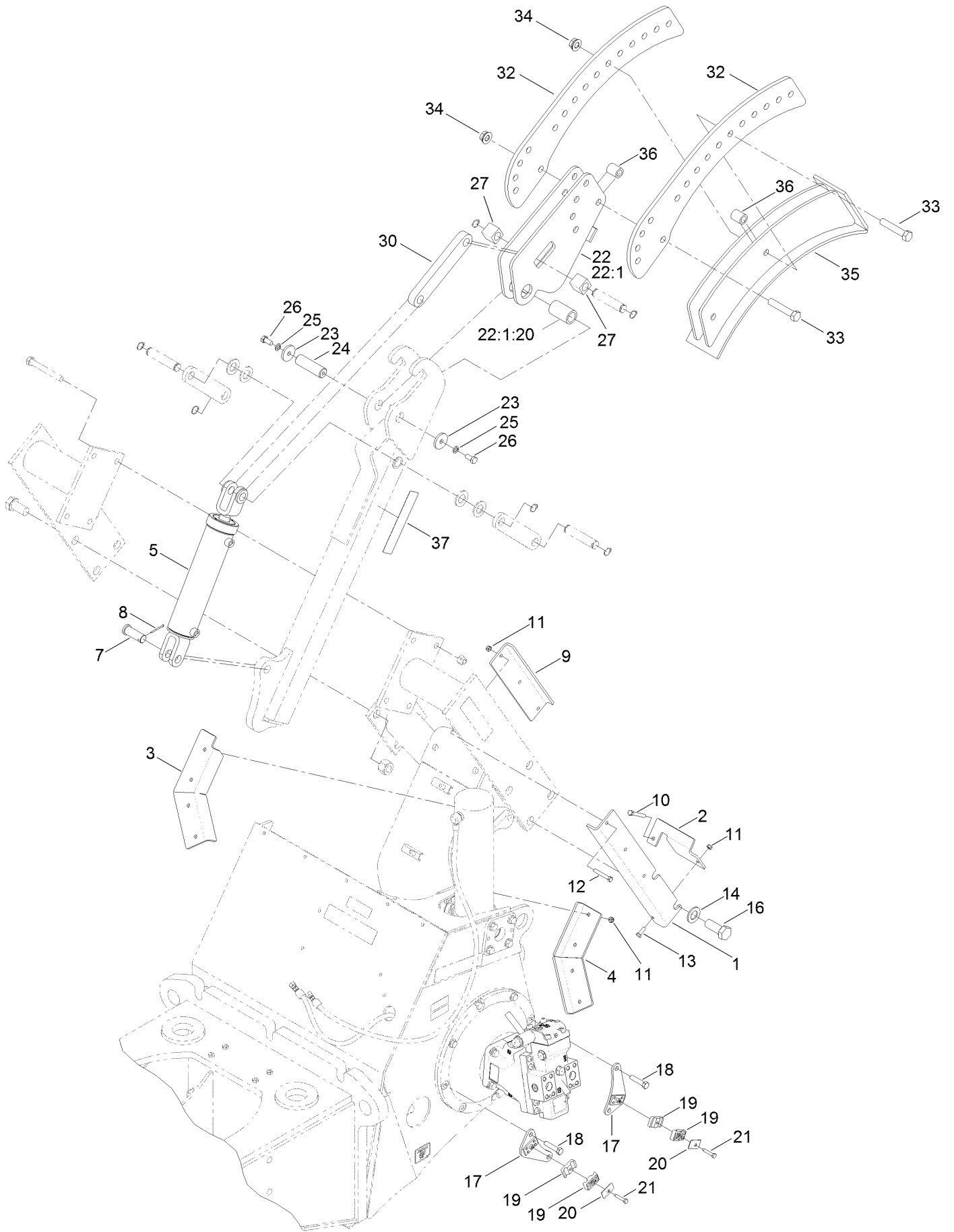
TAP: self tapping

TTH: torx truss head

Contents

Hydraulic Crumber Assembly 4
Extension Assembly..... 6
Hose Assembly..... 8

Hydraulic Crumber Assembly

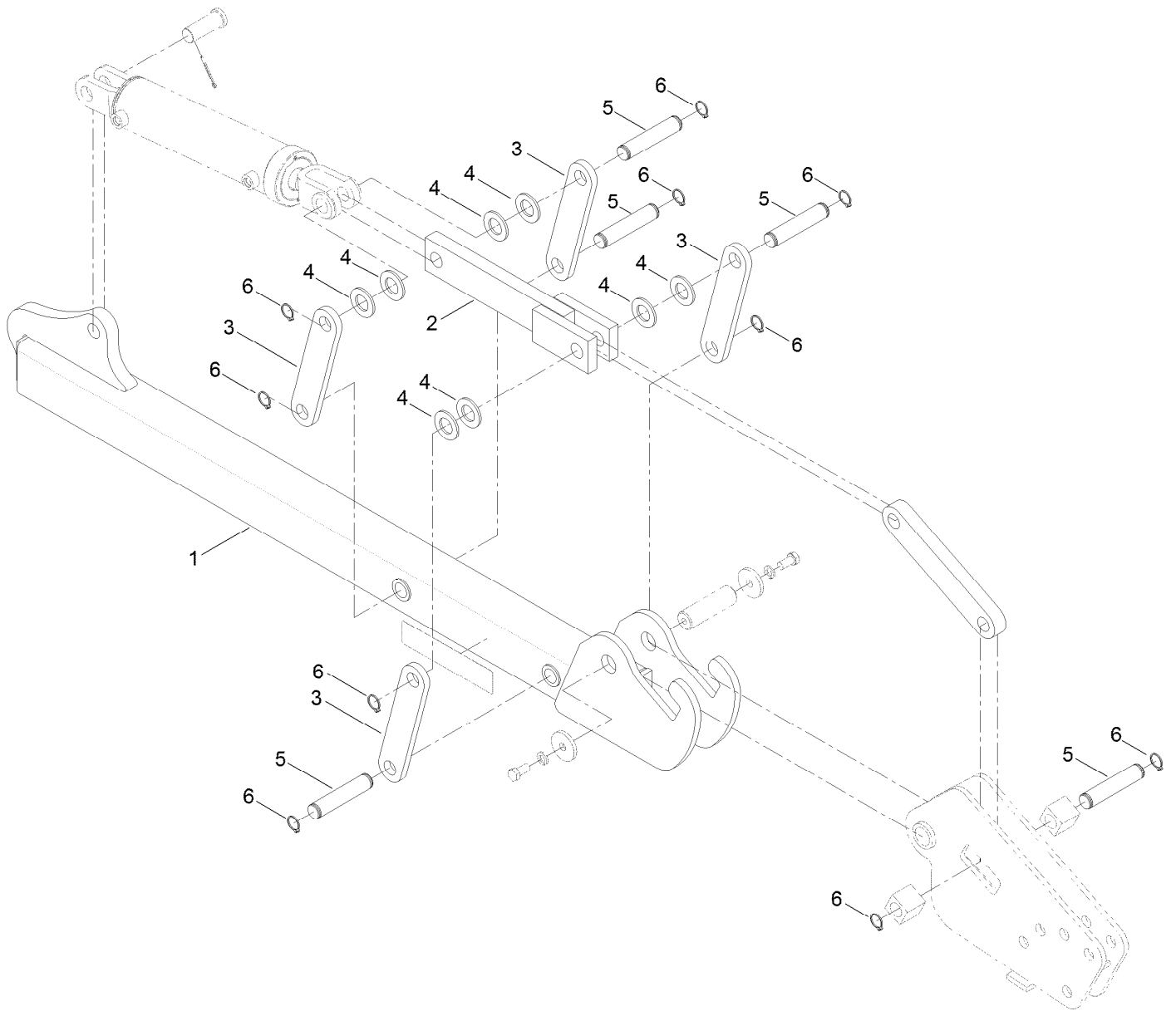


Hydraulic Crumber Assembly (continued)

<i>Ref.</i>	<i>Part Number</i>	<i>Qty.</i>	<i>Description</i>	<i>Ref.</i>	<i>Part Number</i>	<i>Qty.</i>	<i>Description</i>
1	AU105566A1-03	1	Angle-Conduit	21	32144-57	2	Screw
2	AU105565A1-03	1	Angle-Tie	22	AUH672767-03	1	Pivot-Crumber
3	AU105556A1-03	1	Angle-Lower Conduit	22:1		1	Pivot-Crumber ●
4	AU105564A1-03	1	Angle-Lower Conduit	22:1:20	AUH434636	1	Tube-Pivot, Crumber
5	131-2809	1	Cylinder-Hydraulic	23	AU495-81269	2	Washer-Flat
7	116-7290	1	Pin-Clevis	24	AUH434920	1	Pin-Pivot, Crumber Pivot
8	3272-19	1	Pin-Cotter	25	3253-7	2	Washer-Lock
9	AU105568A1-03	1	Angle-Conduit	26	AU426-816	2	Screw-HH
10	104-5937	1	Screw-HH	27	AUH435440	2	Block-Slide - Sq. Bar
11	AU232-4116	8	Nut-Hex	30	AUH435270	1	Link-Crumber Push
12	323-47	6	Screw-HH	32	AU102540A1	2	Plate-Crumber Connector
13	AU426-616	1	Screw-HH	33	AU426-1264	4	Bolt
14	AUH426833	2	Washer	34	AU231-51412	4	Nut-Hex Flange
16	AU426-1640	2	Bolt	35	AUH672768-03	1	Shoe-Crumber - Blade
17	131-2861-03	2	Mount-Clamp, Hose				Mount
18	60-9870	4	Screw-HH	36	131-2889	4	Spacer
19	56-7976	4	Clamp-Tube	37	125-6670	2	Decal-Danger, Entanglement
20	69-9760	2	Coverplate				

● Not serviced separately

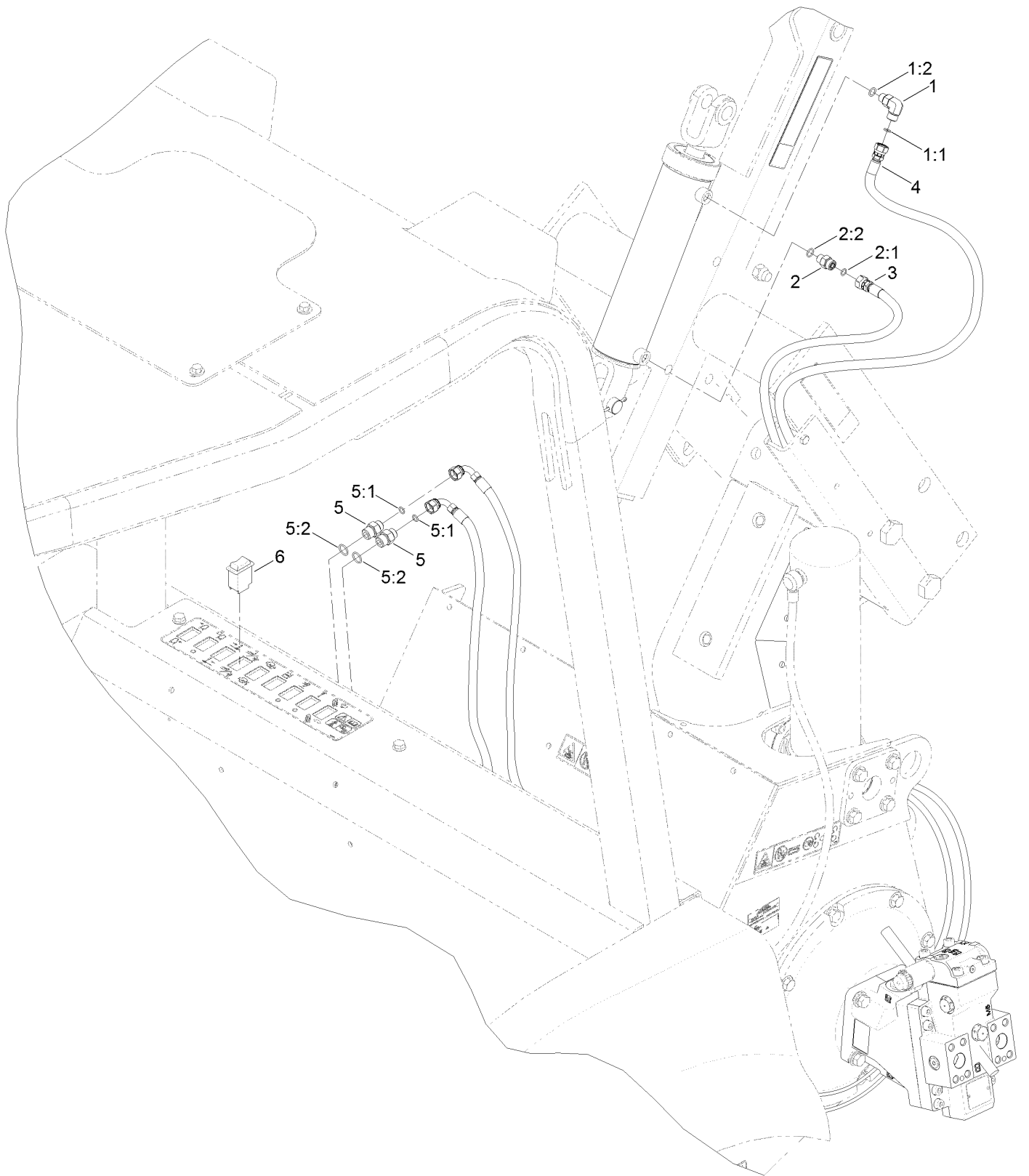
Extension Assembly



Extension Assembly (continued)

<i>Ref.</i>	<i>Part Number</i>	<i>Qty.</i>	<i>Description</i>	<i>Ref.</i>	<i>Part Number</i>	<i>Qty.</i>	<i>Description</i>
1	131-2579	1	Tube-Crumber, 6 Ft	4	AUH426833	8	Washer
2	AU107751A1-03	1	Extension-Bar	5	AUD137151	5	Pin-Cylinder, Rod
3	AUH434627-03	4	Link-Crumber, Straight	6	32151-36	10	Ring-Retaining

Hose Assembly



Hose Assembly (continued)

<i>Ref.</i>	<i>Part Number</i>	<i>Qty.</i>	<i>Description</i>	<i>Ref.</i>	<i>Part Number</i>	<i>Qty.</i>	<i>Description</i>
1	340-77	1	Fitting-HYD, 90 DEG	3	131-2826	1	Hose ASM-HYD HP
1:1	237-22	1	O-Ring	4	131-2826	1	Hose ASM-HYD HP
1:2	237-42	1	O-Ring	5	340-3	2	Adapter
2	340-2	1	Fitting-HYD, Straight	5:1	237-22	1	O-Ring
2:1	237-22	1	O-Ring	5:2	237-79	1	O-Ring
2:2	237-42	1	O-Ring	6	AU113664	1	Switch-Rocker, 2 Pole

Notes:

Notes:



Count on it.