



16" & 18" Gas

Trimmer

Model No. 51903 — 790000001 & Up

Model No. 51904 — 790000001 & Up

Model No. 51906 — 790000001 & Up

Model No. 51907 — 790000001 & Up

16" & 18" Gas

Coupe-Herbe

Modèle No. 51903 — 790000001 et suivants

Modèle No. 51904 — 790000001 et suivants

Modèle No. 51906 — 790000001 et suivants

Modèle No. 51907 — 790000001 et suivants

16" & 18" Gas

Recortadora

Modelos N. 51903 — 790000001 y siguientes

Modelos N. 51904 — 790000001 y siguientes

Modelos N. 51906 — 790000001 y siguientes

Modelos N. 51907 — 790000001 y siguientes

Operator's Manual
Manuel de l'Utilisateur

Manual del Usuario

**WARNING:**

The engine exhaust from this product contains chemicals known to the State of California to cause cancer, birth defects, or other reproductive harm.

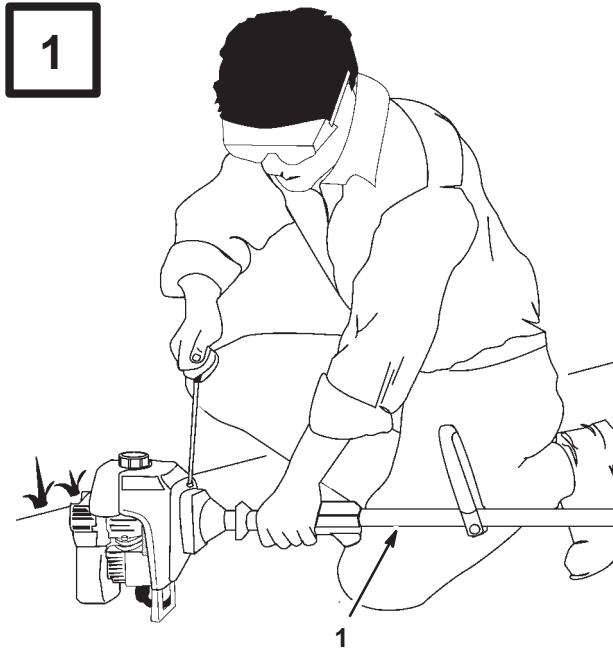
**AVERTISSEMENT:**

Les gaz d'échappement du moteur de ce produit contiennent des produits chimiques reconnus dans l'état de Californie comme cancérigènes, responsables de malformations congénitales, ou comme nocifs à l'égard des fonctions de la reproduction.

**ADVERTENCIA:**

El escape del motor de esta herramienta contiene productos químicos que según la información del Estado de California producen cáncer, defectos congénitos u otros riesgos reproductivos.

Figures—Figuras



English

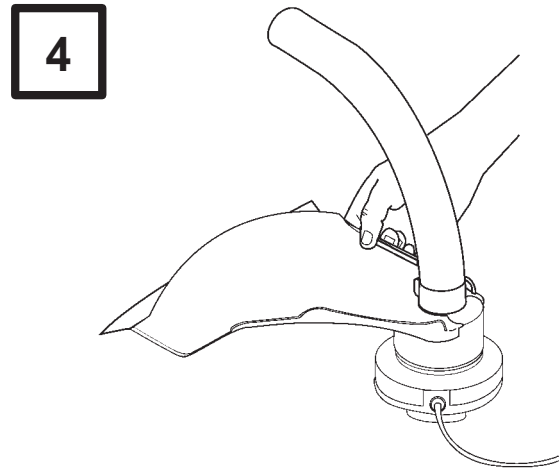
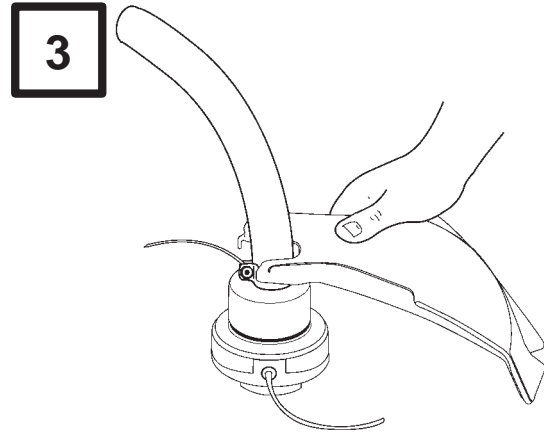
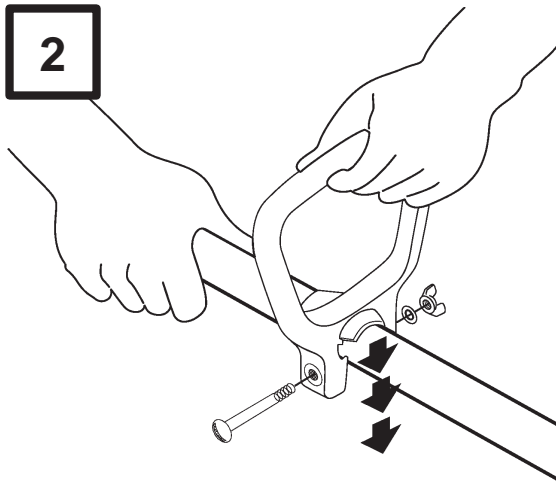
1. Model and serial number decal location

Français

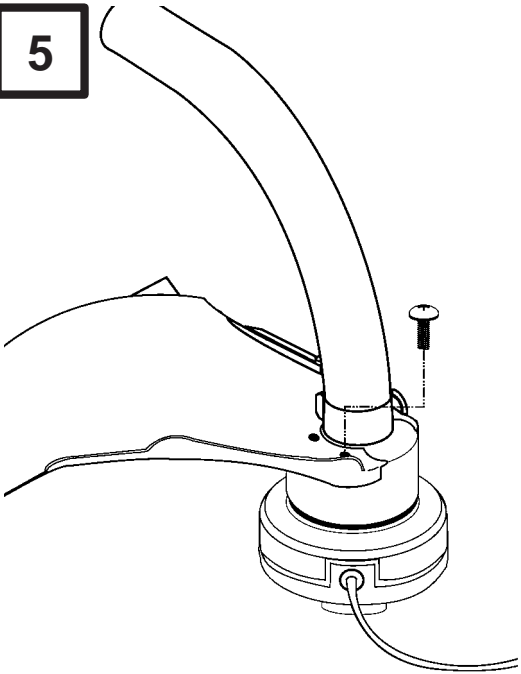
1. Emplacement des numéros de modèle et de série

Español

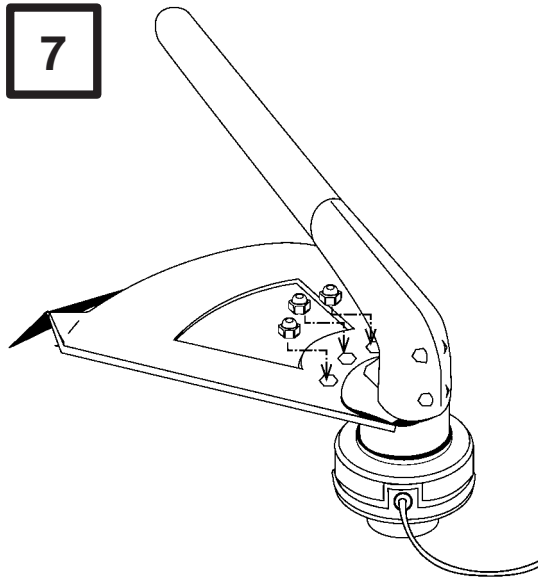
1. Ubicación de la calcomanía con el modelo y el número de serie



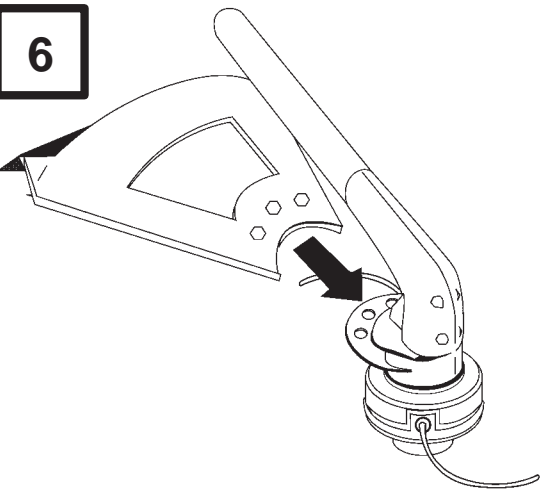
5



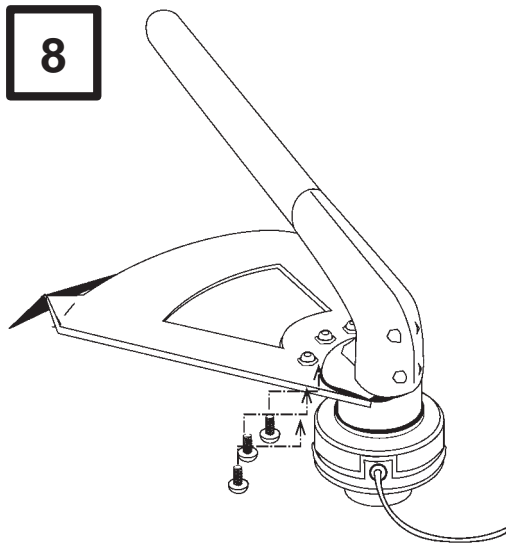
7



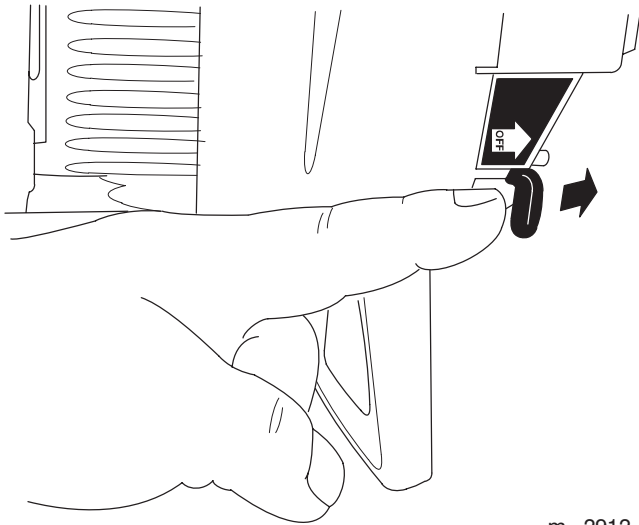
6



8

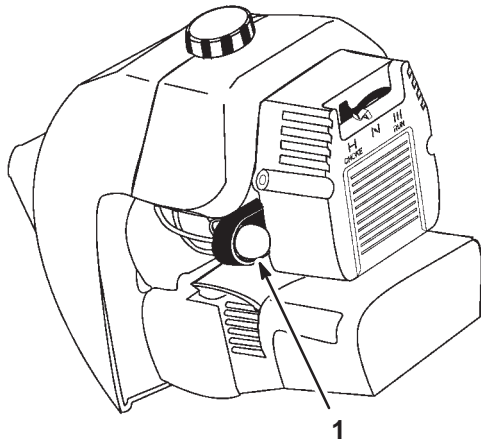


9



m-2912

10



English

- 1. Primer bulb

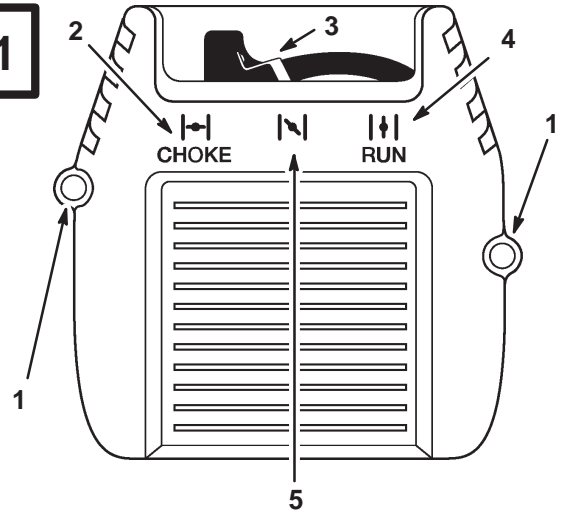
Français

- 1. Pompe d'amorçage

Español

- 1. Perilla de cebado

11



English

- 1. Screw
- 2. Full choke position
- 3. Choke lever
- 4. Run position
- 5. Partial choke position

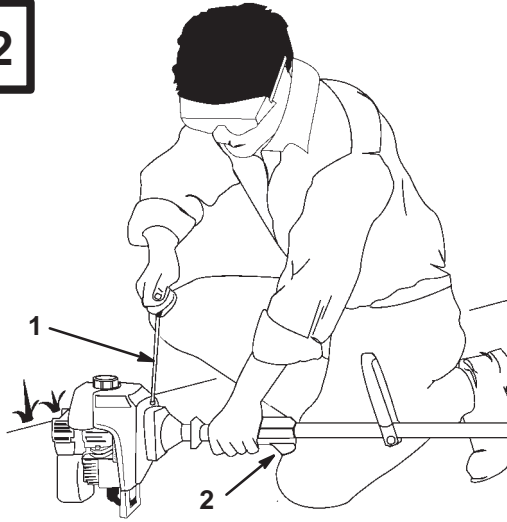
Français

- 1. Vis
- 2. Position entièrement fermée
- 3. Levier du starter
- 4. Position de marche
- 5. Position partiellement fermée

Español

- 1. Tornillo
- 2. Posición de obturación total
- 3. Palanca del obturador
- 4. Posición de funcionamiento
- 5. Posición de obturación parcial

12



English

- 1. Starter rope
- 2. Throttle trigger

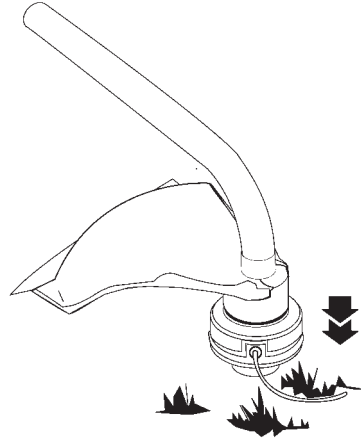
Français

- 1. Corde du lanceur
- 2. Gâchette de commande des gaz

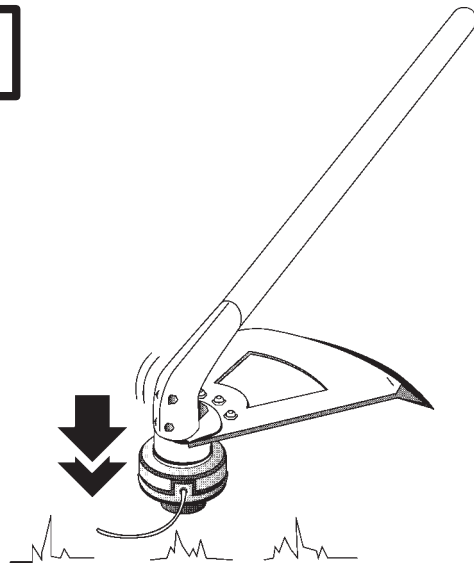
Español

- 1. Cuerda de arranque
- 2. Gatillo del acelerador

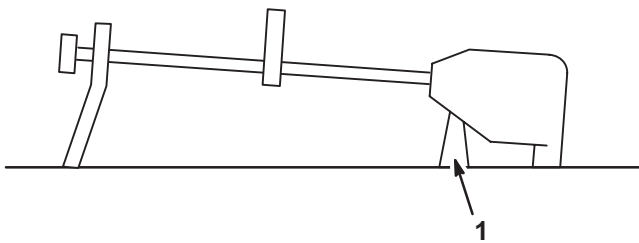
14



15



13



English

- 1. Stand

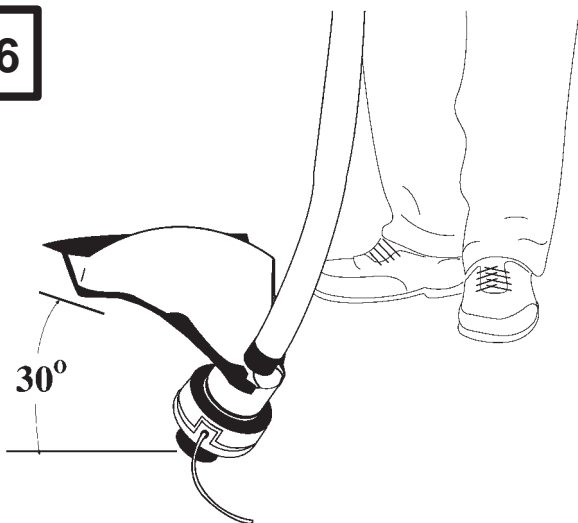
Français

- 1. Support

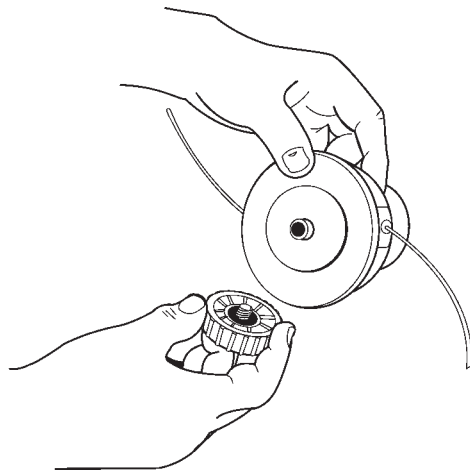
Español

- 1. Soporte

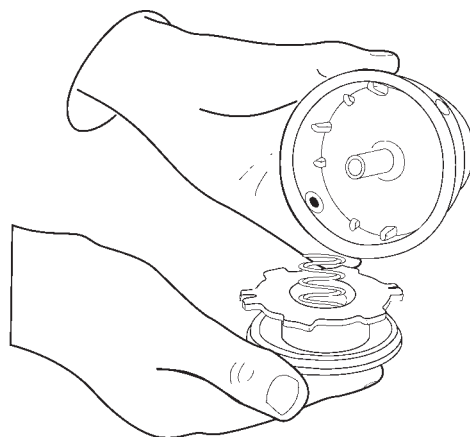
16



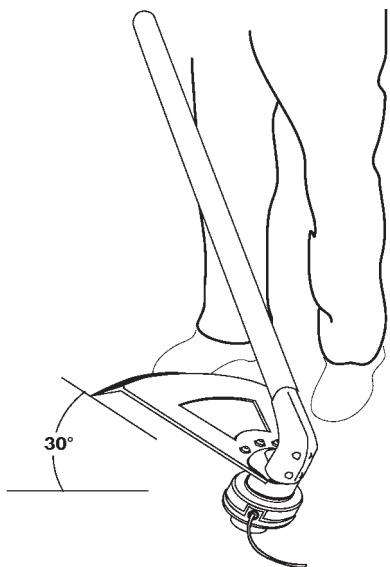
18



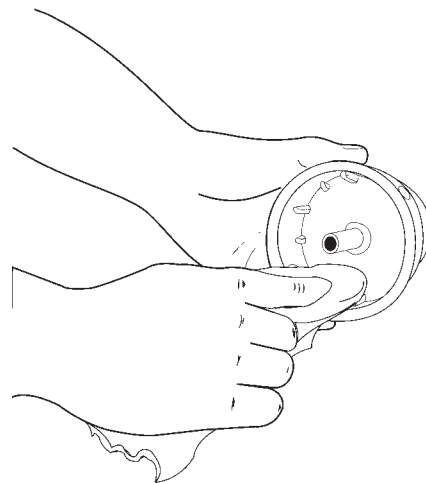
19



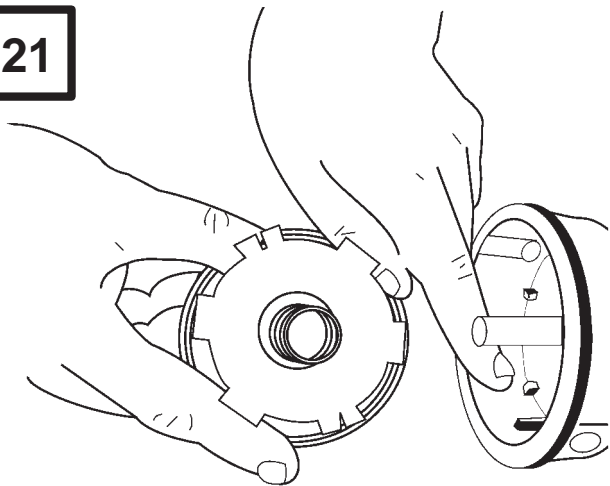
17



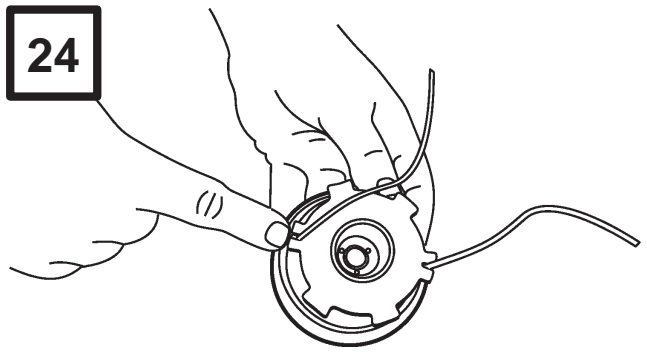
20



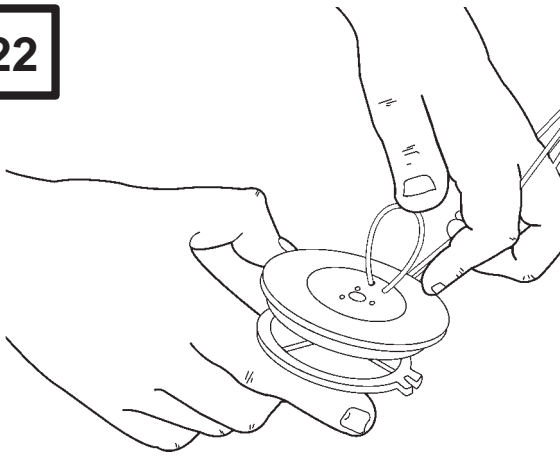
21



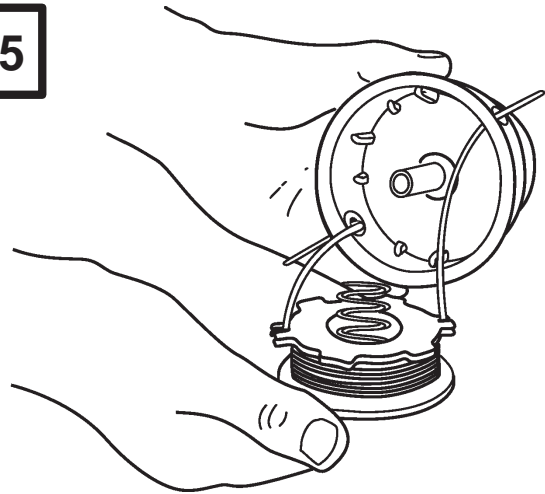
24



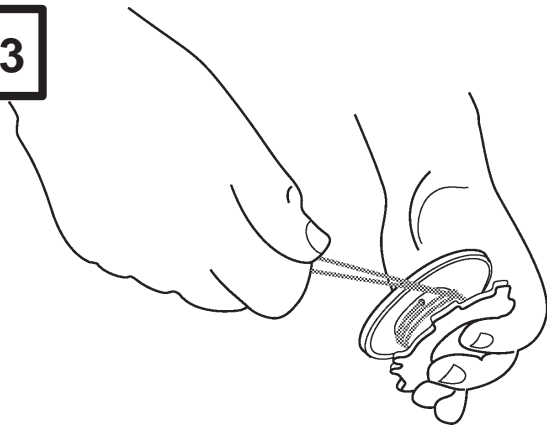
22



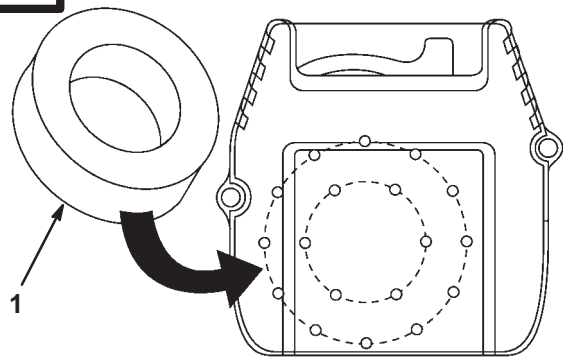
25



23



26



English

1. Air filter

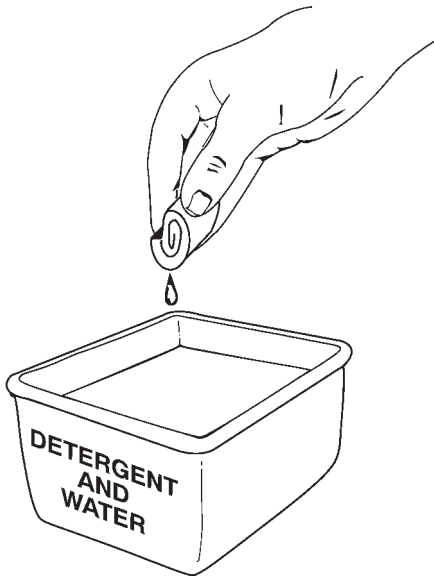
Français

1. Filtre à air

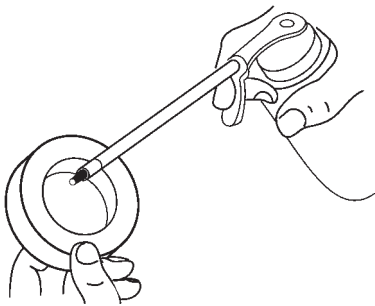
Español

1. Filtro de aire

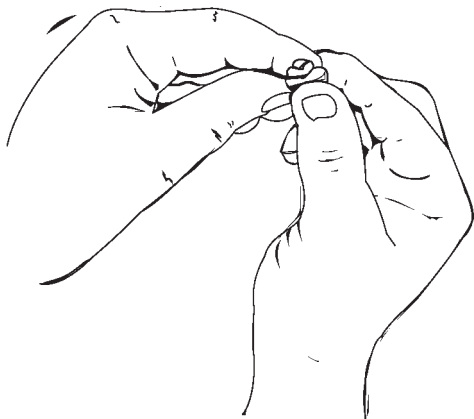
27



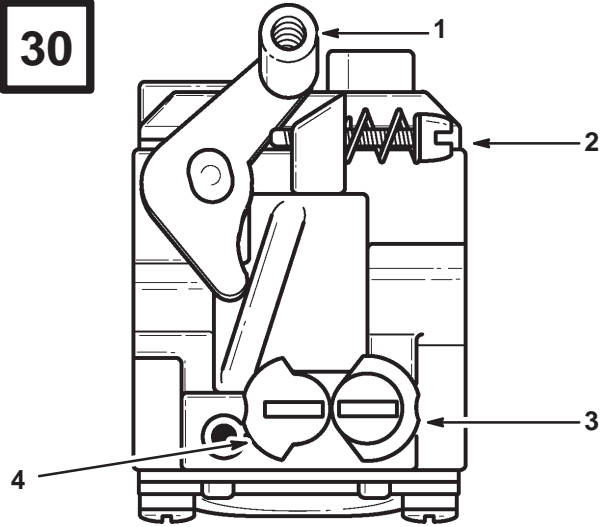
28



29



30



English

WALBRO CARBURETOR

- 1. Throttle lever
- 2. Idle speed screw
- 3. High speed mixture needle
- 4. Idle speed mixture needle

Français

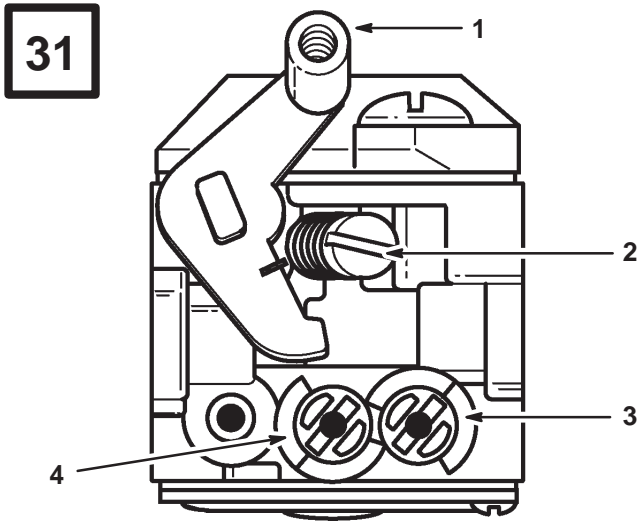
CARBURATEUR WALBRO

- 1. Levier d'accélérateur
- 2. Vis de régime de ralenti
- 3. Pointeau de richesse de haut régime
- 4. Pointeau de richesse de ralenti

Español

CARBURADOR WALBRO

- 1. Palanca del acelerador
- 2. Tornillo de ajuste de la velocidad en ralentí
- 3. Aguja de ajuste de la mezcla de alta velocidad
- 4. Aguja de ajuste de la mezcla de velocidad en ralentí



English

ZAMA CARBURETOR

- 1. Throttle lever
- 2. Idle speed screw
- 3. High speed mixture needle
- 4. Idle speed mixture needle

Français

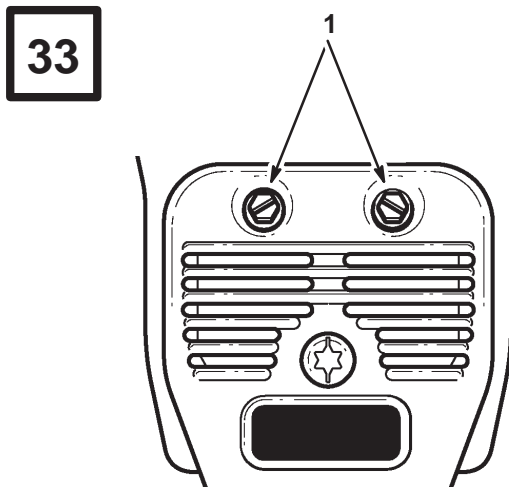
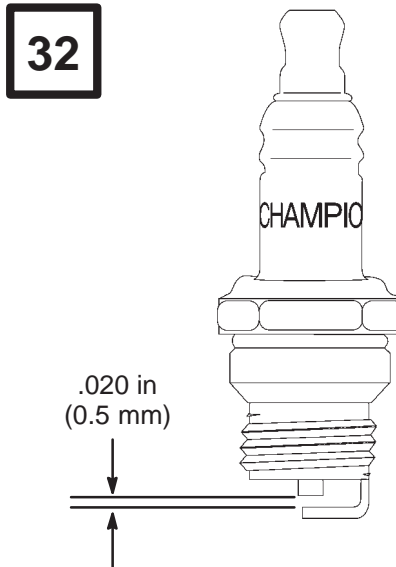
CARBURATEUR ZAMA

- 1. Levier d'accélérateur
- 2. Vis de régime de ralenti
- 3. Pointeau de richesse de haut régime
- 4. Pointeau de richesse de ralenti

Español

CARBURADOR ZAMA

- 1. Palanca del acelerador
- 2. Tornillo de ajuste de la velocidad en ralentí
- 3. Aguja de ajuste de la mezcla de alta velocidad
- 4. Aguja de ajuste de la mezcla de velocidad en ralentí



English

- 1. Muffler mounting bolts

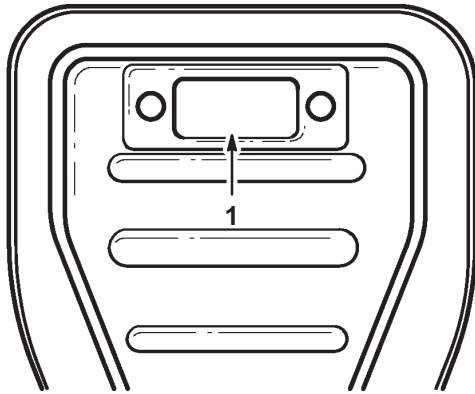
Français

- 1. Boulons de montage du silencieux

Español

- 1. Pernos de montaje del silenciador

34



English

1. Inlet port

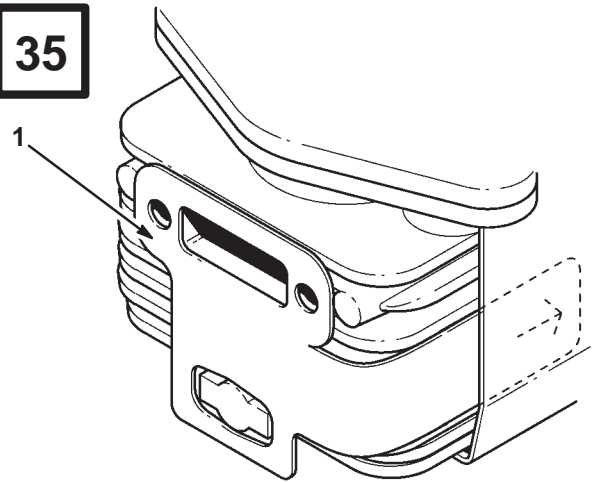
Français

1. Ouverture d'entrée

Español

1. Orificio de admisión

35



English

1. Muffler gasket

Français

1. Joint du silencieux

Español

1. Junta del silenciador

Contents

	Page
Introduction	1
Safety	2
Fueling And Before Operating	2
While Operating	3
Maintenance And Storage	3
Safety and Instruction Decals	4
Symbol Glossary	4
Assembly	5
Installing The D-handle	5
Installing The String Guard	5
Before Starting	5
Oil And Fuel	5
Mixing Oil And Fuel	7
Operation	7
Starting/Stopping	7
Adjusting The Trimming Line Length	8
Decorative Trimming	8
Maintenance	8
Maintenance Schedule	8
Line Installation	8
Installing A Prewound Reel	9
Air Filter Maintenance	10
Carburetor Adjustment	10
Replacing The Spark Plug	11
Inspecting/Cleaning The Muffler	12
Cleaning	12
Storage	12
Troubleshooting	13
Specifications	14
Engine	14
Drive Shaft & Cutting Head	14
Cold Engine Torque Specifications	14
California Emission Control Warranty Statement	15
Warranty	17

Introduction

Thank you for purchasing a Toro product.

All of us at Toro want you to be completely satisfied with your new product, so feel free to contact your local Authorized Service Dealer for help with service, genuine Toro parts, or other information you may require.

Whenever you contact your Authorized Service Dealer or the factory, always know the model and serial numbers of your product. These numbers will help the Service Dealer or Service Representative provide exact information about your specific product. You will find the model and serial number decal located in a unique place on the product (Fig. 1).

For your convenience, write the product model and serial numbers in the space below.

<p>Model No. _____</p> <p>Serial No. _____</p>
--

Read this manual carefully to learn how to operate and maintain your product correctly. Reading this manual will help you and others avoid personal injury and damage to the product. Although Toro designs, produces and markets safe, state-of-the-art products, you are responsible for using the product properly and safely. You are also responsible for training persons who you allow to use the product about safe operation.

The Toro warning system in this manual identifies potential hazards and has special safety messages that help you and others avoid personal injury, even death. DANGER, WARNING and CAUTION are signal words used to identify the level of hazard. However, regardless of the hazard, be extremely careful.

DANGER signals an extreme hazard that will cause serious injury or death if the recommended precautions are not followed.

WARNING signals a hazard that may cause serious injury or death if the recommended precautions are not followed.

CAUTION signals a hazard that may cause minor or moderate injury if the recommended precautions are not followed.

Two other words are also used to highlight information. “Important” calls attention to special mechanical information and “Note” emphasizes general information worthy of special attention.

Safety

Note: For users on U. S. Forest Land and in the states of California, Maine, Oregon and Washington. All U.S. Forest Land and the state of California (Public Resources Codes 4442 and 4443), Oregon and Washington require, by law that certain internal combustion engines operated on forest brush and/or grass-covered areas be equipped with a spark arrestor, maintained in effective working order, or the engine be constructed, equipped and maintained for the prevention of fire. Check with your state or local authorities for regulations pertaining to these requirements. Failure to follow these requirements could subject you to liability or a fine. **This unit is not factory equipped with a spark arrestor.** If these items are required in your area, ask your dealer to install the **Optional Accessory Part #180030 Spark Arrestor Kit.**

Fueling And Before Operating

1. Gasoline is extremely flammable and its vapors can explode if ignited. Always stop the engine and allow it to cool before filling the fuel tank. Do not smoke while filling the fuel tank. Keep sparks and open flames away from the area.
2. Store gasoline and fuel only in containers designed and approved for the storage of such materials.
3. Pressure can build up in the fuel tank. Loosen the fuel tank cap slowly to relieve any pressure in the tank.
4. Add fuel in a clean, well-ventilated area. Wipe up any spilled fuel immediately. If fuel has been spilled, allow it to dry completely before starting the engine.
5. Move the trimmer at least 10 ft (3 m) from the fueling point before starting the engine.
6. Thoroughly inspect the trimmer for loose or damaged parts before each use. Do not use until adjustments or repairs are made.
7. Avoid accidental starting. Be in the starting position whenever pulling the starting rope.
8. Keep all bystanders, especially children, and pets at least 33 ft (10 m) away from the area.
9. Carefully inspect the areas to be cut. Remove all debris that could become entangled in the string or blade. Also remove any objects that could be thrown during cutting.
10. Before starting, make sure the string head is not in contact with anything.
11. Always remain alert. To prevent injury to yourself and others, do not operate this trimmer if you are fatigued.
12. Do not operate the unit while under the influence of drugs, alcohol or medication.

While Operating

1. Wear safety glasses or goggles at all times when operating this trimmer.
2. Dress properly. Do not operate this trimmer when barefoot or wearing open sandals. Always wear sturdy, rubber-soled footwear. The use of gloves, ear/hearing protection and long pants are recommended.
3. Do not wear loose fitting clothing or articles such as scarves, strings, chains, ties, etc. because they could get drawn into the air intake. Also make sure long hair does not get drawn into the air intake.
4. Keep hands, face, and feet away from all moving parts. Do not attempt to touch or stop the string when it is rotating.
5. Do not touch the muffler or cylinder. These parts get extremely hot from operation and remain hot for a short time after the equipment is turned off.
6. Always hold the trimmer with both hands when operating. Keep a firm grip on both the front and rear handles or grips.
7. Operate this trimmer only in a well-ventilated area -outdoors. Carbon monoxide exhaust fumes can be lethal in a confined area.
8. If the unit strikes or becomes entangled with a foreign object, stop the engine immediately and check for damage. Repair any damage before further operation is attempted. Do not operate the trimmer with loose or damaged parts.
9. Use the right tool. Do not use this trimmer for any job except that for which it is intended.
10. Do not force the tool at a rate faster than the rate at which it is able to cut effectively.
11. Do not overreach. Keep proper footing and balance at all times.
12. Do not operate the engine faster than the speed necessary to cut, trim or edge. Do not run the engine at high speed when not cutting.
13. The string guard must be in place at all times while operating the trimmer.
14. Do not extend the trimming line beyond the length specified in this manual.
15. Always stop the engine when cutting is delayed or when walking from one cutting location to another.

Maintenance And Storage

1. Use only genuine Toro replacement parts when servicing this trimmer. These parts are available from your authorized dealer. The use of non-standard parts, or other accessories or attachments not approved for this trimmer, could result in serious injury to the user or damage to the trimmer and void your warranty.
2. Lock up and store the trimmer in an appropriate and dry location to prevent unauthorized use and damage. Keep unit out of the reach of children.

Safety and Instruction Decals



Safety decals and instructions are easily visible to the operator and are located near any area of potential danger. Replace any decal that is damaged or lost.



ON ENGINE
(Part No. 92-3332)



ON GAS TANK
(Part No. 92-3334)



ON BOOM
(Part No. 92-3328)

Symbol Glossary

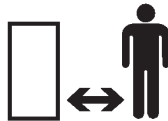
Hot surface



Wear eye and hearing protection



Stay a safe distance from the machine



Thrown or flying objects—Whole body exposure



Read operator's manual



For service information, call:
1-800-237-2654



Fuel



Oil



Assembly

Note: Failure to follow these assembly instructions may cause flex shaft failure.

Installing The D-handle

1. Push the D-handle down over the boom (Fig. 2).
2. Install the bolt, washer and wing nut and tighten (Fig. 2).

Installing The String Guard

WARNING

POTENTIAL HAZARD

- Foreign objects can be thrown by trimmer.

WHAT CAN HAPPEN

- Contact with thrown objects can cause personal injury.

HOW TO AVOID THE HAZARD

- Never operate the trimmer without the string guard in place.

Model 51903

1. Place the string guard onto the boom above the clamp assembly (Fig. 3).
2. Push the string guard down to the top of the string head assembly and then rotate the string guard to the proper position (Fig. 4). The string guard is in the correct position when the string guard points toward the engine, and the holes in the string guard line up with the holes in the top of the string head assembly.
3. Install the screws with a Phillips screwdriver (Fig. 5).

Model 51906

1. Slide the string guard onto the guard mount above the string head assembly. Align the screw holes in the string guard with the screw holes in the string assembly (Fig. 6).
2. Place the three hex nuts into the recessed holes on top of the guard (Fig. 7).
3. Install the screws into the holes from the bottom of the guard. Tighten the screws (Fig. 8).

Before Starting

Oil And Fuel

THIS ENGINE IS CERTIFIED TO OPERATE ON UNLEADED GAS AND OIL MIXTURE.

Note: BE SURE TO READ THESE INSTRUCTIONS CAREFULLY BEFORE ATTEMPTING TO START OR OPERATE THIS UNIT. Using old or improper oil or fuel, or improperly mixing the oil and fuel can cause engine damage. This type of damage will **void** the engine warranty.

DANGER

POTENTIAL HAZARD

- In certain conditions gasoline is extremely flammable and highly explosive.

WHAT CAN HAPPEN

- A fire or explosion from gasoline can burn you, others, and cause property damage.

HOW TO AVOID THE HAZARD

- Use a funnel and fill the fuel tank outdoors, in an open area, when the engine is cold. Wipe up any gasoline that spills.
- Do not fill the fuel tank completely full. Add gasoline to the fuel tank until the level is 1/4" to 1/2" (6 mm to 13 mm) below the bottom of the filler neck. This empty space in the tank allows gasoline to expand.
- Never smoke when handling gasoline, and stay away from an open flame or where gasoline fumes may be ignited by a spark.
- Store gasoline in an approved container and keep it out of the reach of children.
- Never buy more than a 30-day supply of gasoline.

Recommended Oil Type

An 8oz. (0.24 liter) bottle of 2-cycle engine oil is included with your product.

TORO 2-cycle oil is recommended for this outdoor power tool. If another brand of 2-cycle oil is used, make sure it is high quality oil, formulated for 2-cycle, air-cooled engines.

DANGER

POTENTIAL HAZARD

- Gasoline/oil mixture contains petroleum distillate.

WHAT CAN HAPPEN

- Gasoline/oil mixture can be harmful or fatal if swallowed. It can also irritate your skin.

HOW TO AVOID THE HAZARD

- Do not drink gasoline/oil mixture.
- Avoid prolonged contact with skin. Wash thoroughly after handling.
- Do not reuse oil bottle.

IMPORTANT: If gasoline/oil mixture is swallowed, do not induce vomiting. **CALL PHYSICIAN IMMEDIATELY.**

Recommended Fuel Type

Use clean, fresh, unleaded gasoline **that is less than 60 days old.**

Note: Alcohol blended fuel absorbs moisture (water). As little as 1% moisture in the fuel can cause fuel and oil to separate and form acids when stored.

If this type of fuel must be used, use fresh fuel, (**less than 60 days old**) and mix according to the mixing instructions.

Definition Of Blended Fuels

Today's fuels are often a blend of gasoline and one or more oxygenates such as ethanol, methanol or MTBE (ether).

Use Of Blended Fuels

If you choose to use a blended fuel or its use is unavoidable, the following precautions are recommended.

1. Always use fresh fuel mix per your operator's manual.
2. Use the special additive STA-BIL[®] or an equivalent.
3. Always agitate the fuel mix before fueling the unit.
4. Drain the tank and run the engine dry before storing the unit.

Use Of Fuel Additives

The use of fuel additive, such as STA-BIL[®] Gas Stabilizer or an equivalent, will inhibit corrosion and minimize the formation of gum deposit. Add 0.8 oz (23 ml) per gallon of fuel per instructions on container. NEVER add fuel additives directly to the unit's fuel tank. **Using a fuel additive can keep fuel fresh for up to six (6) months.**

Mixing Oil And Fuel

Note: For proper engine operation and maximum reliability, pay strict attention to the oil and fuel mixing instructions on the 2-cycle oil container. Use a **32:1 fuel/oil ratio** when you use 2-cycle oil. Using improperly mixed fuel can severely damage the engine.

Thoroughly mix the proper ratio of 2-cycle engine oil with unleaded gasoline in a separate fuel can, **32:1**. Do not mix them directly in the engine fuel tank. **See the following table for specific gas and oil mixing ratios.**

32:1 GAS/OIL Mixing Chart

Gasoline	Oil
1 US gallon (3.8 liters)	4.0 oz. (118 ml)
1 liter	30 ml

WARNING

POTENTIAL HAZARD

- Gasoline contains gasses that can build up pressure inside a gas tank.

WHAT CAN HAPPEN

- Fuel can be sprayed on you when removing gas cap.

HOW TO AVOID THE HAZARD

- Remove fuel cap slowly to avoid injury from fuel spray.

Operation

Starting/Stopping

1. Mix oil with gas and fill fuel tank with fuel/oil mixture — Per instructions on page 7.
2. Fully press and release the primer bulb 5 to 7 times. See Fig. 10 for the primer bulb location.
3. Place the choke lever in the full “choke” position. See Fig. 11.
4. With the unit on the ground, squeeze the throttle trigger fully and pull the starter rope briskly (Fig. 12) until the engine sounds like it wants to run. (Normally 2 to 5 pulls).
5. Place the choke lever in the “partial” choke position (Fig. 11). Pull the starter rope briskly 1 to 3 times to start the engine (Fig. 12).
6. If the engine does not start, repeat steps 3 through 5.
7. After the engine warms up for 5 to 10 seconds, place the choke lever in the “run” position (Fig. 11).
8. To stop the engine, hold the kill switch in the “off” position until the engine stops (Fig. 9).

Note: When storing the unit or when setting unit down between uses, place the unit flat on the floor so it sits on its stand instead of hanging it by the guard or the cutting head (Fig. 13).

Note: Always keep the trimming line fully extended. Line release becomes more difficult as cutting line becomes shorter.

Each time the head is bumped, about 1 inch (25.4 mm) of trimming line is released. A blade in the weed guard will cut the line to the proper length if excess line is released.

For best results, tap the head on bare ground or hard soil. If line release is attempted in tall grass, the engine may stall.

Adjusting The Trimming Line Length

Your trimmer is equipped with a bump head that allows the operator to release more trimming line without stopping the engine. To release additional line, lightly tap the trimming head on the ground (Fig. 14 – Model 51903, Fig. 15 – Model 51906) while operating the trimmer at **high speed**.

Decorative Trimming

Decorative trimming is accomplished by removing all vegetation around trees, posts, fences, etc. (Fig. 16 – Model 51903, Fig. 17 – Model 51906).

Maintenance

Maintenance Schedule

These required maintenance procedures should be performed at the frequency stated in the table to ensure that your unit continues to meet the 1995 California emission regulations. They should also be included as part of any seasonal tune-up.

Frequency	Maintenance Required	Refer to:
Before starting engine	Fill fuel tank with correct oil and fuel mixture.	Page 7
Every 10 hours	Clean and re-oil air filter.	Page 10
Every 25 hours	Inspect and clean muffler.	Page 12
Every 50 hours	Check spark plug condition and gap.	Page 11

Line Installation

The trimming line may be replaced by two different methods — rewinding the existing reel or installing a prewound reel.

Rewinding The Existing Reel

To rewind the existing reel you must:

1. Check for the correct line size.
2. Remove the existing reel and spring.
3. Wind the existing reel with the new line.
4. Reinstall the existing reel and spring.

The Correct Line To Use

WARNING

POTENTIAL HAZARD

- Use of improper line could cause line to break and be thrown in operator's or bystander's direction.

WHAT CAN HAPPEN

- Use of improper line could result in serious personal injury.

HOW TO AVOID THE HAZARD

- Use only Toro[®] approved replacement monofilament line.
- Do not use any type of wire or other string-like substance. Do not use metal-reinforced line.

It is very important to use the correct size line. A line with a diameter of .080 inches (2.03 mm) must be used. **The engine may overheat and fail if you use a larger line.**

Removing The Existing Reel

1. Stop engine and wait for all moving parts to stop. Pull wire off spark plug.
2. Hold the outer spool with one hand and unscrew the Bump Knob **counterclockwise** (Fig. 18). Inspect the captured bolt inside the Bump Knob to make sure it moves freely. Replace the Bump Knob if it is damaged.
3. Remove the inner reel (Fig. 19).
4. Use a clean cloth to clean the inner surface of the outer spool (Fig. 20).

Note: Always clean the inner reel, outer spool, and shaft before reassembling the bump head.

5. Check the indexing teeth on the inner reel and outer spool for wear (Fig. 21). If necessary, deburr or replace the reel and spool.

Winding The Existing Reel

1. Take approximately 25 ft (7.6 m) of new trimming line, loop it into two equal lengths. Insert each end of the line through one of the two holes in the inner reel (Fig. 22). Pull the line so that the loop is as small as possible.
2. Wind the lines, in even and tight layers, onto the reel (Fig. 23). Wind the line in the direction indicated on the inner reel. Be sure not to overlap the two ends of the line.

Note: Place your index finger between the two lines to stop the lines from overlapping.

Note: Failure to wind the line in the direction indicated will cause the bump head to operate incorrectly.

3. Insert the ends of the line into the two holding slots (Fig. 24).

Reinstalling The Reel

1. Insert the ends of the line through the eyelets in the outer spool (Fig. 25), then grasp the ends and pull firmly to release the line from the holding slots in the spool.
2. Hold the inner reel in place and install the Bump Knob in the **clockwise** direction (see Fig. 18). Line installation is now complete.

Installing A Prewound Reel

1. Follow the instructions in **THE CORRECT LINE TO USE**.
2. Follow the instructions in **REMOVING THE EXISTING REEL**.
3. Follow the instructions in **REINSTALLING THE REEL**.

Air Filter Maintenance

Note: **CLEAN AND RE-OIL THE AIR FILTER EVERY 10 HOURS OF OPERATION.** Your unit's air filter is one of the most important areas to maintain. If it is not maintained, you will **void** the warranty. Before cleaning, make sure the unit is turned off.

1. Remove the screws on each side of the carburetor/air filter cover assembly. Remove the air filter cover (Fig. 11).

Note: The choke lever must be in the "CHOKE" position to remove and install the air filter cover.

2. Remove the air filter (Fig. 26).
3. Wash the filter in detergent and water (Fig. 27). Rinse the filter thoroughly and allow it to dry.
4. Apply enough clean SAE 30 oil to saturate the filter (Fig. 28).
5. Squeeze the filter to spread the oil (Fig. 29).
6. Reinstall the filter (see Fig. 26), air filter cover and screws (see Fig. 11).

Note: If the unit is operated **without** the carburetor/air filter cover assembled, you will **void** the warranty.

Carburetor Adjustment

This unit is equipped with a diaphragm-type carburetor that has been carefully calibrated at the factory. In most cases, no further adjustment is required.

Note: To meet the 1995 California emission regulations, the carburetor has adjustment needle limiter caps to restrict the amount of adjustment.

The condition of the air filter is important to the operation of the trimmer. A dirty air filter will restrict the air flow, which upsets the fuel-air mixture in the carburetor. The resulting symptoms are often mistaken for an out-of-adjustment carburetor. Therefore, **check the condition of the air filter before adjusting the carburetor.** Refer to **Air Filter Maintenance.**

If the following conditions are experienced, it may be necessary to adjust the carburetor:

- The engine will not idle
- The engine hesitates or stalls on acceleration
- The loss of engine power that is not corrected by cleaning the air filter and muffler

Note: Careless adjustments can seriously damage your unit.

Adjusting the Carburetor

1. Clean the air filter if it is dirty. Refer to **Air Filter Maintenance.**
2. Make the initial settings with the engine stopped. These initial settings should allow you to start and warm up the unit before making the final adjustments.

Initial Idle Speed Setting

- A. For **Walbro** carburetors: Back the idle speed screw (Fig. 30) **out (counterclockwise)** until it does not contact the carburetor throttle lever. Then turn the screw **in (clockwise)** until it just *begins to move* the throttle lever; then continue turning **2 full turns.**
- B. For **Zama** carburetors: Back the idle speed screw (Fig. 31) **out (counterclockwise)** until it does not contact the throttle valve located inside of the carburetor. This is accomplished by carefully watching for the movement of the throttle lever to stop. Then turn the screw **in (clockwise)** until it just *begins to move* the throttle lever, then continue turning **1 1/2 turns.**

3. **Initial High Speed Mixture and Idle Speed Mixture Needle Settings:** Turn both the high speed mixture and idle speed mixture needles **out (counterclockwise) until the limiter caps stop.**

 **WARNING**

POTENTIAL HAZARD

- **Engine must be running to make some carburetor adjustments.**
- **When engine is running, cutting head is rotating and other parts are moving.**

WHAT CAN HAPPEN

- **Contact with rotating cutting head or other moving parts could cause serious personal injury or death.**

HOW TO AVOID THE HAZARD

- **Keep hands, feet and clothing away from cutting head and other moving parts.**
- **Keep all bystanders and pets away from unit while making carburetor adjustments.**

4. Start the engine and let it run for a minute.
5. Release the throttle trigger and let the engine idle. If the engine stops, turn the idle speed screw (Figs. 30 and 31) **in (clockwise) 1/8 turn** at a time (as required) until the engine idles.

Note: Forcing the limiter caps with a screwdriver will damage the needle tips and the seat in the carburetor body.

6. **Final Idle Speed Screw and Idle Speed Mixture Needle Settings:** Adjust the idle speed screw and idle speed mixture needle for smoothest engine idle.

- A. Turn the idle speed mixture needle (Figs. 30 and 31) **in (clockwise)** until you hear the fastest idle; then turn the needle **out (counterclockwise) 1/8 turn.**

- B. Squeeze the throttle trigger. If the engine falters or hesitates as it accelerates, turn the idle speed mixture needle (Figs. 30 and 31) **out (counterclockwise) 1/16 turn** at a time until the engine accelerates rapidly.
- C. If the idle speed changes significantly because of Steps a and b, readjust the idle speed screw (refer to Step 2).

7. **Final High Speed Mixture Needle Adjustment:**

- A. High speed mixture needle adjustment is not recommended without a precision high speed tachometer.
- B. The factory presets the high speed mixture needle at 1-1/4 turns out from the closed position. Your unit should perform well at this setting. If additional adjustment of the high speed mixture needle is required, contact your local authorized service dealer.

Note: If the limiter caps are removed at any time, your unit will no longer meet the 1995 California emission regulations and you will **void** the warranty.

Note: If the carburetor adjustments do not help the unit to run properly, contact your authorized service dealer.

Replacing The Spark Plug

Use a Champion RDJ7Y spark plug (or equivalent). Correct air gap is **0.020 in (0.5 mm)**. Remove plug after **every 50 hours of operation** and check its condition.

1. Stop the engine and pull the wire off of the spark plug.
2. Clean around the spark plug and remove it from the cylinder head.

Note: Replace a cracked, fouled or dirty spark plug. Do not sand blast, scrape or clean electrodes because the engine could be damaged by grit entering the cylinder.

3. Set the air gap at **0.020 in (0.5 mm)** using a *wire feeler gauge* (Fig. 32). Install a correctly gapped spark plug into the cylinder head. Torque to **110-120 in•lb (12.3-13.5 N•m)**.

Inspecting/Cleaning The Muffler

The muffler should be removed **every 25 hours of operation** to inspect for excessive carbon build-up. Excessive deposits around the exhaust ports or exhaust holes will cause poor engine performance.

Use the following procedure to remove, inspect, clean and reinstall the muffler.

WARNING

POTENTIAL HAZARD

- Muffler surface becomes hot when trimmer is in operation and remains hot for some time after the engine is shut off.

WHAT CAN HAPPEN

- Contact with hot muffler surfaces could cause a burn.

HOW TO AVOID THE HAZARD

- Make sure the muffler is cool before inspecting and cleaning it.

1. Remove the muffler mounting bolts (Fig. 33).
2. Remove the muffler (with heat shield) and gasket. Discard the old gasket.

Inspection And Cleaning

1. Check the inlet port of the muffler and outlet port of the cylinder for excessive carbon deposits (Fig. 34). Clean as required.
2. Inspect the muffler mounting holes for elongation. Replace the muffler if the holes are elongated.

Muffler Reassembly

1. Install a new gasket. Make sure the arrow stamped into the gasket is to your right. Tuck the tab (with the arrow) between the cylinder and plastic shroud (Fig. 35).
2. Install the muffler with the muffler mounting bolts (see Fig. 33) and torque the bolts to **80-90 in•lb (9-10.1 N•m)**.

Cleaning

WARNING

POTENTIAL HAZARD

- When engine is running, cutting head is rotating and other parts are moving.

WHAT CAN HAPPEN

- Contact with rotating cutting head or other moving parts could cause serious personal injury or death.

HOW TO AVOID THE HAZARD

- Always turn off your trimmer before you clean or perform any maintenance on it.

Use a small brush to clean off the outside of the trimmer. Do not use strong detergents on plastic housing or handle. They can be damaged by household cleaners that contain aromatic oils such as pine and lemon, and by solvents such as kerosene. Wipe off any moisture with a soft cloth.

Storage

If the trimmer will be stored for an extended period of time, use the following storage procedure.

1. Drain all fuel from the fuel tank and drain into a container with the same 2-cycle fuel mixture. **Do not use fuel that has been stored for more than 60 days.** Dispose of the old fuel/oil mix in a safe manner and use a fresh mix.

2. Start the engine and allow it to run until it stalls. This ensures that all fuel has been drained from the carburetor.
3. Allow the engine to cool. Remove the spark plug and put approximately 1 oz (30 ml) of any high quality motor oil or 2-cycle oil into the cylinder. Pull the starter rope slowly to distribute the oil. Reinstall the spark plug.

Note: Remove the spark plug and drain all of

the oil from the cylinder before attempting to start the trimmer after storage.

4. Thoroughly clean the unit and inspect for any loose or damaged parts. Repair or replace damaged parts and tighten loose screws, nuts or bolts.

The unit is now ready for storage.

5. Store the trimmer in a dry, well-ventilated area out of the reach of children.

Troubleshooting

Problem	Cause	Action
Engine Will Not Start	Empty fuel tank Primer bulb wasn't pushed enough Engine flooded	Fill fuel tank Press primer bulb fully and slowly 5-7 times Use starting procedure WITHOUT USING CHOKE
Engine Will Not Idle	Cutting head bound with grass	Stop engine and clean cutting head
Engine Will Not Accelerate	Carburetor misadjusted	Adjust carburetor
Engine Lacks Power or Stalls When Cutting	Throttle wire has come loose Dirty air filter No oil in fuel	Tighten throttle wire Clean or replace air filter Add oil to fuel
Cutting Head Will Not Advance Line	Cutting head out of line Inner reel bound up Cutting head dirty Indexing teeth worn or burred Line welded Line twisted when refilled Not enough line is exposed	Refill with new cutting line Replace inner reel Clean reel and spool Replace reel and spool Disassemble, remove the welded section and rewind the line Disassemble and rewind reel Push the Bump Knob and pull out 102 mm (4 in) of line until the line is outside of the cutting head

If further assistance is required, contact your local authorized Toro service dealer.

Specifications

Engine

Engine Type	Air-Cooled, 2-Cycle
Stroke	1.25 in (31.75 mm)
Displacement	31 cc (1.9 cu. in)
Bore	1.37 in (34.79 mm)
Clutch Type	None
Operating RPM	7000 rpm
Ignition Type	Electronic
CD Module Air Gap	0.10-0.15 in (0.254-0.381 mm)
Piston Ring Width	0.046 in (1.16 mm)
Piston Ring End Gap#	0.085 in (2.159 mm)
Piston Ring Side Clearance	0.005 in max. (0.127 mm)
Average Compression	90 to 120 lbs. (41-55 kg)
Spark Plug	Champion RDJ7Y
Spark Plug Gap	0.020 in (0.5 mm)
Lubrication	Fuel/Oil Mixture
Fuel/Oil Ratio	32:1
Carburetor	Diaphragm, All-Position
Starter	Auto Rewind
Muffler	Baffled with Guard
Throttle	Manual, Spring Return
Fuel Tank Capacity	18 oz (530 ml)
Bearings	Needle and Ball
Crankshaft	Cantilevered
Connecting Rod	Stamped Steel
Fuel Tank	HD Polyethylene

Drive Shaft & Cutting Head

Drive Shaft	Chrome Vanadium, 1/4"
Drive Shaft Housing	Steel Tube
Operating Weight	Approx. 10.5 lbs (4.73 kg)
Throttle Control	Finger-Tip Trigger
Shoulder Strap	Optional
Line Spool	Bump Line Releaser
Line Spool Diameter	3 in (76.2 mm)
Trimming Line Diameter	0.080 in (2.03 mm)
Cutting Path Diameter	18 in (45.7 cm)

Cold Engine Torque Specifications

Cylinder Bolts	120 in•lb (13.5 N•m)
Muffler Bolts	80-90 in•lb (9-10.1 N•m)
Carburetor Mount Bolts	15 in•lb (1.67 N•m)
Shroud Mounting Bolts	120 in•lb (13.5 N•m)
Module Mounting Screws	28 in•lb (3.2 N•m)
Starter Housing Screws	40 in•lb (4.5 N•m)
Air Cleaner Cover Screws	40 in•lb (4.5 N•m)
Flywheel Nut	150 in•lb (16.9 N•m)
Spark Plug	110-120 in•lb (12.3-13.5 N•m)
Reed Screw	15 in•lb (1.67 N•m)

California Emission Control Warranty Statement

Your Warranty Rights And Obligations

The California Air Resources Board and Toro are pleased to explain the emission control system warranty on your 1995 lawn and garden equipment engine. In California, new lawn and garden equipment engines must be designed, built and equipped to meet the State's stringent anti-smog standards. Toro must warrant the emission control system on your lawn and garden equipment engine for the periods of time listed below provided there has been no abuse, neglect or improper maintenance of your lawn and garden equipment engine.

Your emission control system may include parts such as the carburetor or fuel injection system, the ignition system, and catalytic converter. Also included may be hoses, belts, connectors and other emission-related assemblies.

Where a warrantable condition exists, Toro will repair your lawn and garden equipment engine at no cost to you including diagnosis, parts and labor.

The 1995 and later utility and lawn and garden equipment engines are warranted for two years. If any emission-related part on your engine is defective, the part will be repaired or replaced by Toro.

Owner's Warranty Responsibilities:

- As the lawn and garden equipment engine owner, **you are responsible for the performance of the required maintenance listed in your operator's manual.** Toro recommends that you retain all receipts covering maintenance on your lawn and garden equipment

engine, but Toro cannot deny warranty solely for the lack of receipts or for your failure to ensure the performance of all scheduled maintenance.

- As the lawn and garden equipment engine owner, you should however be aware that Toro may deny you warranty coverage if your lawn and garden equipment engine or a part has failed due to abuse, neglect, improper maintenance or unapproved modifications.
- You are responsible for presenting your lawn and garden equipment engine to a Toro Authorized Service Dealer as soon as a problem exists. The warranty repairs should be completed in a reasonable amount of time, not to exceed **30 days.**

If you have any questions regarding your warranty rights and responsibilities, you should call 1-800-237-2654.

Manufacturer's Warranty Coverage:

- The warranty period begins on the date the engine or equipment is delivered to the retail purchaser.
- The manufacturer warrants to the initial owner and each subsequent purchaser, that the engine is free from defects in material and workmanship which cause the failure of a warranted part for a period of two years.
- Repair or replacement of warranted part will be performed at no charge to the owner at an Authorized Toro Service Dealer. For the nearest location, please contact Toro at: 1-800-237-2654.
- Any warranted part which is not scheduled for replacement, as required maintenance which is scheduled only for regular inspection to the effect of "Repair or replace as necessary" is warranted for the warranty period. Any warranted part which is scheduled for replacement as required maintenance will be warranted for the period of time up to the first scheduled replacement print for that part.

- The owner will not be charged for diagnostic labor which leads to the determination that a warranted part is defective, if the diagnostic work is performed at an Authorized Toro Service Dealer.
- The manufacturer is liable for damages to other engine components caused by the failure of a warranted part still under warranty.
- Failures caused by abuse, neglect or improper maintenance are not covered under warranty.
- The use of add-on or modified parts can be grounds for disallowing a warranty claim. The manufacturer is not liable to cover failures or warranted parts caused by the use of add-on or modified parts.
- In order to file a claim, go to your nearest Authorized Toro Service Dealer. Warranty services or repairs will be provided at all Authorized Toro Service Dealers.
- Any manufacturer approved replacement part may be used in the performance of any warranty maintenance or repair of emission related parts and will be provided without charge to the owner. Any replacement part that is equivalent in performance or durability may be used in non-warranty maintenance or repair and will not reduce the warranty obligations of the manufacturer.
- The following components are included in the emission related warranty of the engine, air filter, carburetor, primer, fuel lines, fuel pick up/fuel filter, ignition module, spark plug and muffler.



**THE TORO TOTAL COVERAGE
GUARANTEE**
A Full Warranty
(Limited Warranty for Commercial Use)

What Is Covered By This Express Warranty?

The Toro Company promises to repair any TORO Product used for normal residential purposes* if defective in materials or workmanship. The following time periods apply from the date of purchase:

- TORO Hand Held Gas Products with Model Numbers of 51911, 51916, 51918 and 58452 3 year full warranty
- All other TORO Hand Held Gas Products 2 year full warranty

The cost of parts and labor is included, but the customer pays the transportation costs.

*Normal residential purposes means use of the product on the same lot as your home. Use at more than one location is considered commercial use and the commercial use warranty would apply.

What Products Are Covered By This Warranty?

This warranty applies to all TORO Hand Held Gas Powered Trimmers, Blowers/Vacs, Cultivators and Brushcutters. All other TORO gas powered or electric powered products are covered by separate warranty statements.

How About Commercial Use?

Toro Consumer Products used for commercial, institutional or rental use are warranted against defects in material or workmanship. The following time period applies from the date of purchase:

- TORO Hand Held Gas Products used Commercially 45 day limited warranty

Repair by an Authorized Toro Dealer is your sole remedy under this warranty.

How Do You Get Warranty Service?

Should you feel your TORO Product requires warranty service, contact the retailer who sold you the product or any Authorized TORO Service Dealer or TORO Master Service Dealer. The Yellow Pages of your telephone directory is a good reference source. The dealer will either arrange service at his/her dealership or recommend another Authorized Service Dealer who may be more convenient. You may need proof of purchase (copy of registration card, sales receipt, etc.) for warranty validation.

If for any reason you are dissatisfied with the Service Dealer's analysis of the defect in materials or workmanship or if you need a referral to a TORO Service Dealer, please feel free to contact us at the following address:

Toro Customer Service Department
8111 Lyndale Avenue South
Bloomington, MN 55420-1196
612-888-8801
800-237-2654

30 Day Satisfaction Guarantee

If for any reason you are not satisfied with your TORO Hand Held Gas Product within the first 30 days of residential use, you may return the product to the retail outlet where purchased. The retailer will offer the purchaser the option of either a refund of the original purchase price or credit for the full value toward the purchase of a similar TORO Hand Held Gas Product. All refund or credit arrangements must be made through the retailer who originally sold you the TORO Hand Held Gas Product.

What Must You Do To Keep The Warranty In Effect?

You must maintain your TORO Product by following the maintenance procedures described in the operator's manual. Such routine maintenance, whether performed by a dealer or by you, is at your expense.

What Does This Warranty Not Cover? and

How Does Your State Law Relate To This Warranty?

There is no other express warranty. This express warranty does not cover:

- Cost of regular maintenance service or parts, such as filters, fuel, lubricants, tune-up parts, blade sharpening or cable/linkage adjustments.
- Any product or part which has been altered or misused or required replacement or repair due to accidents or lack of proper maintenance.
- Repairs necessary due to improper fuel, contaminants in the fuel system, or failure to properly prepare the fuel system prior to any period of non-use over three months.
- Pickup and delivery charges.

All repairs covered by this warranty must be performed by an Authorized TORO Service Dealer using Toro approved replacement parts.

The Toro Company is not liable for indirect, incidental or consequential damages in connection with the use of the TORO Products covered by this warranty, including any cost or expense of providing substitute equipment or service during reasonable periods of malfunction or non-use pending completion of repairs under this warranty. Some states do not allow exclusions of incidental or consequential damages, so the above exclusion may not apply to you.

This warranty gives you specific legal rights, and you may also have other rights which vary from state to state.

COUNTRIES OTHER THAN THE UNITED STATES AND CANADA

Customers who have purchased TORO products exported from the United States or Canada should contact their TORO Distributor (Dealer) to obtain guarantee policies for your country, province, or state. If for any reason you are dissatisfied with your Distributor's service or have difficulty obtaining guarantee information, contact the TORO importer. If all other remedies fail, you may contact us at The Toro Company.

Contenido

	Página
Introducción	1
Seguridad	2
Repuesto y antes de comenzar la tarea ...	2
Durante el funcionamiento	3
Mantenimiento y almacenamiento	3
Calcomanías de seguridad e instrucciones	4
Glosario de símbolos	5
Montaje	6
Instalación de la manija D	6
Instalación de la protección del cordel ...	6
Antes de comenzar	6
Aceite y combustible	6
Mezcla del aceite y el combustible	8
Funcionamiento	8
Arranque/Parada	8
Ajuste de la longitud de la línea de recorte	9
Recorte decorativo	9
Mantenimiento	10
Programa de mantenimiento	10
Instalación de la línea	10
Instalación de un carrete rebobinado previamente	11
Mantenimiento del filtro de aire	11
Ajuste del carburador	12
Reemplazo de las bujías	13
Inspección/Limpieza del silenciador	14
Limpieza	14
Almacenamiento	15
Localización de averías	16
Especificaciones técnicas	17
Motor	17
Eje impulsor y cabeza de corte	17
Especificaciones del par de apriete del motor frío	18
Garantía de control de emisiones en California .	19
Garantía	21

Introducción

Gracias por comprar un producto Toro.

Todo el personal de Toro queremos que esté totalmente satisfecho con su nuevo producto. Por ello le rogamos que se ponga en contacto con su concesionario local autorizado, que dispone de piezas de repuesto Toro genuinas y le podrá ayudar con los problemas técnicos y asistirle en todo momento.

Siempre que se comunique con el Concesionario de Servicio Autorizado o con la fábrica, tenga a mano los números de modelo y serie del producto. Estos números ayudarán al Concesionario de Servicio o al Representante de Servicio a proporcionarle una información precisa acerca de su producto determinado. Encontrará la calcomanía con los números de modelo y serie en un lugar especial en el producto (Fig. 1).

Para su comodidad, anote a continuación el modelo y el número de serie de su producto.

<p>No. del modelo: _____</p> <p>No. de serie: _____</p>

Lea este manual detenidamente para aprender a utilizar y mantener correctamente su producto. La lectura de este manual le ayudará a Vd. y a otros a evitar lesiones corporales y daños a la máquina. Aunque Toro diseña, fabrica y comercializa productos seguros y de la más alta calidad, Vd. es el responsable de utilizar el producto de forma segura y adecuada. Vd. también es el responsable de instruir a las personas a las que tiene intención de dejar utilizar la máquina, para que la usen según las normas de seguridad.

A lo largo de este manual, Toro ha incluido avisos que identifican peligros potenciales y mensajes de seguridad especiales que le ayudarán a Vd. y a otros a evitar las lesiones corporales, incluso la muerte. Las palabras utilizadas para indicar estos mensajes e

identificar el nivel de riesgo son PELIGRO, ADVERTENCIA y CUIDADO. No obstante, sin importar el nivel de riesgo, sea extremadamente cuidadoso.

PELIGRO señala una situación extremadamente arriesgada que causará lesiones graves, incluso la muerte, si no se siguen las precauciones indicadas.

ADVERTENCIA señala un riesgo que puede causar lesiones graves, incluso la muerte, si no se siguen las instrucciones indicadas.

CUIDADO señala un riesgo que puede causar lesiones leves o moderadas si no se siguen las instrucciones indicadas.

También se utilizan otras dos palabras para resaltar cierto tipo de información. “Importante” llama la atención sobre informaciones técnicas especiales y “Nota” hace hincapié sobre informaciones generales que es conveniente resaltar.

Seguridad

Nota: Para los usuarios que habiten en los bosques de EE.UU., y en los estados de California, Maine, Oregon y Washington. Todos los bosques de EE.UU. y el estado de California (Código de Recursos Públicos 4442 y 4443), Oregon y Washington requieren, por ley, que ciertos motores de combustión interna utilizados en las zonas cubiertas de bosque y/o de hierba estén equipados con un supresor de chispas, se mantengan en perfecto estado de funcionamiento o que el motor hay sido fabricado, equipado y mantenido para evitar los incendios. Consulte a las autoridades estatales y locales para obtener información relativa a estos requisitos. El incumplimiento de estos requisitos puede hacerle merecedor de una multa o responsable de los posibles daños. **Esta unidad no viene equipada de fábrica con un supresor de chispas.**

Si en su área es necesario el uso de estos accesorios, póngase en contacto con su concesionario para que instale el kit del supresor de chispas, n° de ref. 180030, de la sección **Accesorios opcionales**.

Repostado y antes de comenzar la tarea

1. La gasolina es extremadamente inflamable y, si se inflama, sus vapores pueden explotar. Pare siempre el motor y espere a que enfría antes de llenar el depósito de combustible. No fume mientras reposta. Manténgase alejado de chispas y de llamas desnudas.
2. Almacene la gasolina y el combustible sólo en recipientes diseñados y aprobados para estos materiales.
3. En el depósito de combustible puede producirse un aumento de presión. Afloje lentamente la tapa del depósito para liberar la presión que pudiera haber en el mismo.
4. Añada el combustible en un área bien ventilada. Limpie inmediatamente el combustible derramado. Si se ha derramado combustible, espere a que seque completamente antes de poner en marcha el motor.
5. Antes de poner en marcha el motor, separe la recortadora al menos 3 m del punto de repostado.
6. Inspeccione minuciosamente la recortadora en busca de piezas flojas o dañadas antes de cada utilización. No la utilice hasta que se hayan efectuado todas las reparaciones.
7. Evite los arranques accidentales. Colóquese en el punto donde desea comenzar a trabajar antes de halar la cuerda de arranque.
8. Mantenga a los espectadores, especialmente los niños, y a los animales domésticos, a una distancia mínima de 10 m del área de trabajo.

9. Inspeccione cuidadosamente el área que se va a cortar. Elimine toda la suciedad que pudiera enredarse en el cordel o en la cuchilla. Retire también los objetos que pudieran ser lanzados durante el proceso de corte.
10. Antes de comenzar, cerciórese de que la cabeza del cordel no esté en contacto con ningún objeto.
11. Permanezca siempre alerta. Para evitar lesionarse o lesionar a otras personas, no opere la recortadora si está cansado.
12. No opere la unidad si está bajo los efectos de drogas, alcohol o medicamentos.

Durante el funcionamiento

1. Mientras utilice la recortadora, lleve siempre gafas de seguridad.
2. Vístase adecuadamente. No opere la recortadora descalzo o con sandalias. Utilice siempre calzado resistente y con suela de goma. Se recomienda el uso de guantes, pantalones largos y protección en los oídos.
3. No utilice ropas sueltas o accesorios tales como bufandas, cordones, cadenas, corbatas, etc., ya que la admisión de aire podría tirar de ellos. Cerciórese también de que el cabellos largo no se introduzca en la admisión de aire.
4. Mantenga las manos, la cara y los pies lejos de las piezas móviles. No intente tocar o parar el cordel cuando esté girando.
5. No toque el silenciador o el cilindro. Estas piezas se calientan considerablemente y permanecen calientes cierto tiempo después de haber apagado el equipo.
6. Sujete siempre la recortadora con ambas manos, mientras esté en funcionamiento. Sujete firmemente tanto la manija delantera como la trasera.
7. Opere esta recortadora solamente en exteriores bien ventilados. Los vapores de monóxido de carbono de los gases de escape en un área confinada pueden ser mortales.
8. Si golpea o se enreda con un objeto extraño, pare inmediatamente el motor y compruebe si se han producido daños. Si golpea o se enreda con un objeto extraño, pare inmediatamente el motor y compruebe si se han producido daños. Repare los daños antes de volver a utilizar la recortadora. No haga funcionar la recortadora con piezas flojas o deterioradas.
9. Utilice la herramienta adecuada. Utilice la recortadora sólo para la tarea para la cual ha sido diseñada .
10. No fuerce la máquina a una velocidad superior a la que resulte eficaz para el corte.
11. No intente recortar hierba que esté fuera de su alcance. Mantenga siempre el equilibrio y los pies firmemente en el suelo.
12. No haga funcionar el motor a una velocidad superior a la necesaria para el corte, recorte o ribeteado. No haga funcionar el motor a un régimen elevado cuando no esté cortando la hierba..
13. La protección del cordel debe estar colocada siempre que la recortadora esté funcionando.
14. No extienda la línea de recorte más allá de la longitud especificada en el presente manual.
15. Pare siempre que el motor cuando deje de cortar o cuando se traslade de una zona de corte a otra.

Mantenimiento y almacenamiento

1. Cuando repare esta recortadora, utilice únicamente piezas de repuesto originales de Toro. Puede conseguir estas piezas en su concesionario autorizado. El uso de piezas que no sean estándar u otros accesorios o aperos no aprobados para esta recortadora, podrían causar lesiones serias al usuario o daños a la recortadora, e invalidar su garantía.

2. Guarde bajo llave y almacene la recortadora en un local apropiado para evitar que sea utilizada por personal no autorizado. Mantenga la unidad fuera del alcance de los niños.

Calcomanías de seguridad e instrucciones



Las calcomanías de seguridad e instrucciones están colocadas en un lugar fácilmente visible por el operador y lejos de las piezas potencialmente peligrosas. Reemplace cualquier calcomanía dañada o despegada.



EN EL MOTOR
(N° de ref. 92-3332)



EN EL DEPÓSITO DE COMBUSTIBLE
(N° de ref. 92-3334)



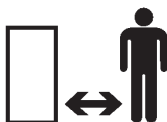
EN LA PLUMA
(N° de ref. 92-3328)

Glosario de símbolos

Superficie caliente



Mantenerse a una distancia segura de la máquina



Leer el manual del operador



Combustible



Utilizar protección ocular y en los oídos



Objetos volantes – Todo el cuerpo está expuesto



Para obtener información de servicio, llame al: 1-800-237-2654



Aceite



Montaje

Nota: Si no se respetan estas instrucciones, puede producirse el fallo del eje de flexión.

Instalación de la manija D

1. Empuje hacia abajo la manija D sobre el plumón (Fig. 2).
2. Instale el perno, la arandela y la tuerca de mariposa y apriételes (Fig. 2).

Instalación de la protección del cordel

ADVERTENCIA

PELIGRO POTENCIAL

- La recortadora puede arrojar objetos extraños.

LO QUE PUEDE SUCEDER

- El contacto con los objetos lanzados puede causar lesiones personales.

COMO EVITAR EL PELIGRO

- Nunca opere la cortadora sin las protecciones del cordel colocadas.

Modelo 51903

1. Coloque la protección del cordel sobre el plumón, por encima del montaje de la abrazadera (Fig. 3).
2. Empuje la protección del cordel hacia la parte superior del conjunto de la cabeza del cordel y después gírela hasta colocarla correctamente (Fig. 4). Se alcanza la posición correcta cuando

la protección del cordel apunte hacia el motor, y sus orificios estén alineados con los orificios de la parte superior del conjunto de la cabeza del cordel.

3. Enrosque los tornillos con un destornillador Phillips (Fig. 5).

Modelo 51906

1. Coloque la protección del cordel sobre la montura de protección, por encima del conjunto de la cabeza del cordel. Alinee los orificios para tornillos de la protección del cordel con los orificios para tornillos del conjunto del cordel (Fig. 6).
2. Coloque las tres tuercas hexagonales en los orificios rebajados de la parte superior de la protección (Fig. 7).
3. Instale los tornillos en los orificios de la parte inferior de la protección. Apriete los tornillos (Fig. 8).

Antes de comenzar

Aceite y combustible

ESTE MOTOR ESTÁ CERTIFICADO PARA FUNCIONAR CON UNA MEZCLA DE GASOLINA SIN PLOMO Y ACEITE.

Nota: CERCÍÓRESE DE LEER CUIDADOSAMENTE ESTAS INSTRUCCIONES ANTES DE INTENTAR ARRANCAR O HACER FUNCIONAR ESTA UNIDAD. El uso de aceite o combustible viejo o inadecuado puede causar daños al motor. Este tipo de daños **invalidará** la garantía del motor.

PELIGRO

PELIGRO POTENCIAL

- En ciertas condiciones, la gasolina es extremadamente inflamable y altamente explosiva.

LO QUE PUEDE SUCCEDER

- Un incendio o una explosión causados por gasolina pueden quemar al operador y otras personas y causar daños materiales.

COMO EVITAR EL PELIGRO

- Utilice un embudo y llene el depósito de combustible en el exterior, en un área abierta y con el motor frío. Limpie la gasolina derramada.
- No llene completamente el depósito de gasolina. Añada gasolina hasta que el nivel alcance desde 6 mm a 13 mm (1/4 a 1/2 pulgada) por debajo de la parte inferior del cuello de llenado. Este espacio vacío en el depósito permite la dilatación de la gasolina.
- No fume nunca mientras maneja la gasolina y manténgase alejado de llamas desnudas o de lugares donde una chispa pueda inflamar los vapores de la gasolina.
- Almacene la gasolina en un recipiente homologado y manténgalo fuera del alcance de los niños.
- No compre nunca una provisión de gasolina para más de 30 días.

Tipo de aceite recomendado

Con su producto se incluye una botella de 0,24 litros de aceite de motor de 2 ciclos.

El aceite de 2 tiempos TORO está recomendado para esta herramienta de exteriores. Si se utiliza un aceite de 2 tiempos de cualquier otra marca, cerciórese de que se trata de un aceite de alta calidad, formulado para los motores de 2 tiempos refrigerados por aire.

PELIGRO

PELIGRO POTENCIAL

- La mezcla de gasolina/aceite contiene destilados de petróleo.

LO QUE PUEDE SUCCEDER

- La mezcla de gasolina/aceite puede ser nociva o incluso mortal si se ingiere. También puede irritar la piel.

COMO EVITAR EL PELIGRO

- No beba la mezcla de gasolina/aceite
- Evite un contacto prolongado con la piel. Lávese cuidadosamente después de manipular la mezcla.
- No vuelva a utilizar la botella de aceite.

IMPORTANT: Si se ingiere la mezcla de gasolina/aceite, no induzca el vómito. **LLAME INMEDIATAMENTE A UN MEDICO.**

Tipo de combustible recomendado

Utilice gasolina sin plomo, fresca y limpia con **menos de 60 días de antigüedad.**

Nota: EL combustible mezclado con alcohol absorbe humedad (agua). Una cantidad de 1% de humedad en el combustible puede causar la separación del combustible y del aceite y formar ácidos durante el período de almacenamiento.

Si fuera necesario utilizar este tipo de combustible, utilice combustible fresco, (**menos de 60 días de antigüedad**) y mézclelo siguiendo las instrucciones.

Definición de combustibles mezclados

Los combustibles de hoy en día suelen consistir en mezclas de gasolina y uno o más compuestos oxigenados, tales como el etanol, metanol o MTBE (éter).

Utilización de combustibles mezclados

Si decide utilizar un combustible mezclado o su utilización resulta inevitables, se recomienda tomar las siguientes precauciones.

1. Utilice siempre una mezcla fresca de combustibles según las indicaciones de su manual del operario.
2. Utilice el aditivo especial STA-BIL[®] un equivalente.
3. Agite siempre la mezcla de combustible antes de proceder al repostado.
4. Antes de almacenar la unidad, vacíe el depósito y haga funcionar el motor hasta que se pare por falta de gasolina.

Utilización de aditivos de combustible

El uso de un aditivo de combustible, del tipo del Estabilizador de Gasolina STA-BIL[®] un equivalente, inhibirá la corrosión y minimizará la formación de depósitos gomosos. Añada 23 ml por galón de combustible, siguiendo las instrucciones del recipiente. **NUNCA** agregue aditivos de combustible en el depósito de la máquina. **El uso de un aditivo puede mantener el combustible fresco por un período de hasta 6 (seis) meses.**

Mezcla del aceite y el combustible

Nota: Para mantener el motor en óptimas condiciones y obtener un rendimiento máximo, preste especial atención a las instrucciones para el mezclado de aceite y de combustible que aparecen en el recipiente del aceite de 2 tiempos. Utilice una **relación de combustible/aceite de 32:1** cuando utilice un aceite de 2 tiempos. El uso de un combustible incorrectamente mezclado puede dañar seriamente al motor.

Mezcle cuidadosamente la proporción correcta de aceite de motor de 2 tiempos con gasolina sin plomo en un bidón de gasolina diferente, en una relación **32:1**. No los mezcle directamente en el depósito de combustible. **Consulte en el cuadro siguiente las relaciones de mezclado de aceite y de gasolina.**

Cuadro de mezclado GASOLINA/ACEITE 32:1

Gasolina	Aceite
1 galón EE.UU. (3,8 litros)	4,0 oz. (118 ml)
1 litro	30 ml

ADVERTENCIA

PELIGRO POTENCIAL

- La gasolina contiene gases que pueden hacer aumentar la presión dentro del depósito de combustible.

LO QUE PUEDE SUCEDER

- Cuando retire la tapa del depósito, el combustible puede salir del depósito, rociándole.

COMO EVITAR EL PELIGRO

- Retire lentamente la tapa del depósito para evitar la lesiones producidas por la pulverización de combustible.

Funcionamiento

Arranque/Parada

1. Mezcle la gasolina y el aceite y llene el depósito de combustible con la mezcla resultante — Según las instrucciones de la página 7.
2. Apriete a fondo y suelte la pera de cebado de 5 a 7 veces. Vea la Fig. 10 para localizar la pera de cebado.
3. Coloque a fondo la palanca del obturador en la posición “obturador”. Vea la Fig. 11.

4. Con la unidad en el suelo, apriete completamente el gatillo del acelerador y hale con fuerza la cuerda de arranque (Fig. 12) hasta que suene como si el motor quisiera arrancar. (Normalmente de 2 a 5 haladas).
5. Coloque la palanca del obturador en la posición “parcial” (Fig. 11). Hale con fuerza la cuerda de arranque de 1 a 3 veces para poner en marcha el motor (Fig. 12).
6. Si el motor no se pone en marcha, repita los pasos del 3 al 5.
7. Después de que el motor se caliente durante 5 a 10 segundos, coloque la palanca del obturador en la posición “funcionamiento” (Fig. 11).
8. Para detener el motor, mantenga el interruptor de parar en la posición “OFF” hasta que se detenga el mismo (Fig. 9).

Nota: Cuando almacene la unidad o cuando la deje en el suelo entre tareas, colóquela de forma que descansa sobre su soporte, en vez de colgarla de la protección o de la cabeza de corte (Fig. 13).

Ajuste de la longitud de la línea de recorte

Su recortadora está equipada con un tope que permite al operario soltar más línea de recorte sin necesidad de parar el motor. Para soltar una cantidad adicional de línea, golpee ligeramente en el suelo la cabeza de recorte (Fig. 14 – Modelo 51903, Fig. 15 – Modelo 51906) mientras hace funcionar la recortadora **a alta velocidad**.

Nota: Mantenga siempre la línea de recorte completamente extendida. Se hace más difícil soltar línea a medida que ésta se hace más corta.

Cada vez que se golpea la cabeza, se liberan aproximadamente 25,4 mm (1 pulgada) de línea de recorte. Si se soltara una cantidad excesiva, una cuchilla situada en el protector de maleza se encarga de cortar la línea a la longitud adecuada.

Para obtener mejores resultados, golpee la cabeza sobre un suelo desnudo o duro. Si se intenta soltar línea mientras se trabaja en hierba de gran altura, el motor puede calarse.

Recorte decorativo

El recorte decorativo se consigue retirando toda la vegetación que se encuentra alrededor de los árboles, los postes, las vallas, etc. (Fig. 16 – Modelo 51903, Fig. 17 – Modelo 51906).

Mantenimiento

Programa de mantenimiento

Estos procedimientos de mantenimiento deben efectuarse a los intervalos indicados en el cuadro para garantizar que su unidad cumpla con los requisitos de la regulación de emisiones del estado de California de 1995. También deben formar parte de cualquier revisión estacional.

Frecuencia	Mantenimiento necesario	Consulte:
Antes de poner en marcha el motor	Llene el depósito de combustible con la mezcla adecuada de aceite y de combustible.	Página 7
Cada 10 horas	Limpiar y engrasar el filtro de aire.	Página 10
Cada 25 horas	Inspeccionar y limpiar el silenciador.	Página 12
Cada 50 horas	Revisar el estado de la bujía y de la separación entre los electrodos.	Página 11

Instalación de la línea

La línea de recorte puede reemplazarse de dos formas distintas — rebobinando el carrete ya colocado o instalando un carrete enrollado previamente.

Rebobinado del carrete ya colocado

Para rebobinar el carrete ya colocado:

1. Compruebe que está utilizando el tamaño de línea correcto.
2. Desmonte el carrete y el muelle colocados.
3. Rebobine el carrete con la línea nueva.
4. Vuelva a instalar el carrete y el muelle.

Qué línea debe utilizarse

ADVERTENCIA

PELIGRO POTENCIAL

- El uso de una línea incorrecta puede provocar su ruptura y su lanzamiento en dirección del operador o los espectadores.

LO QUE PUEDE SUCCEDER

- El uso de una línea incorrecta puede causar serias lesiones.

COMO EVITAR EL PELIGRO

- Utilice únicamente líneas de repuesto de un solo filamento aprobadas por Toro®
- No utilice ningún tipo de cable u otros materiales parecidos al cordel. No utilice líneas con refuerzo metálico.

Es muy importante utilizar el tamaño de línea correcto. Se debe utilizar una línea con un diámetro de 2,03 mm (0,08 pulgadas). **Si se utiliza una línea de mayor diámetro el motor podría recalentarse.**

Desmontaje del carrete ya colocado

1. Pare el motor y espere a que todas las piezas móviles se detengan. Saque el cable de la bujía.

2. Sujete la bobina exterior con una mano y desenrosque la perilla de tope **en sentido contrario a las agujas del reloj** (Fig. 18). Compruebe que el perno aprisionado dentro de la perilla se mueve libremente. Reemplace la perilla si estuviera dañada.
3. Desmonte el carrete interior (Fig. 19).
4. Utilice un paño limpio para limpiar la superficie interior de la bobina exterior (Fig. 20).

Nota: Limpie siempre el carrete interior, la bobina exterior y el eje, antes de volver a montar el tope.

5. Revise los dientes de posicionamiento del carrete interior y de la bobina exterior en busca de señales de desgaste (Fig. 21). Si fuera necesario, elimine las rebabas o reemplace el carrete y la bobina.

Rebobinado del carrete ya colocado

1. Coja aproximadamente 7,6 m (25 ft) de la nueva línea de recorte y enlázela en dos trozos iguales. Introduzca cada extremo de la línea a través de uno de los dos orificios del carrete interior (Fig. 22). Hale la línea de forma que el lazo sea lo más pequeño posible.
2. Enrolle las líneas, en capas uniformes y apretadas, en el carrete (Fig. 23). Enrolle la línea en la dirección indicada en el carrete interior. Cerciórese de no superponer los dos extremos de la línea.

Nota: Coloque el dedo índice entre las dos líneas para evitar que se superpongan.

Nota: Si no se enrolla la línea en la dirección indicada, el tope funcionará de forma incorrecta.

3. Introduzca los extremos de la línea en las dos ranuras de sujeción (Fig. 24).

Instalación del carrete

1. Introduzca los extremos de la línea a través de los ojales de la bobina exterior (Fig. 25), después agarre los extremos y tire firmemente para soltar la línea de las ranuras de sujeción de la bobina.
2. Sujete el carrete interior e instale la perilla de tope **en el sentido de las agujas del reloj** (Vea la Fig. 18). Se ha completado la instalación de la línea.

Instalación de un carrete rebobinado previamente

1. Siga las instrucciones de la sección **QUÉ LÍNEA DEBE UTILIZARSE**.
2. Siga las instrucciones de la sección **DESMONTAJE DEL CARRETE YA COLOCADO**.
3. Siga las instrucciones de la sección **INSTALACIÓN DEL CARRETE**.

Mantenimiento del filtro de aire

Nota: **LIMPIE Y ENGRASE EL FILTRO DE AIRE CADA 10 HORAS DE FUNCIONAMIENTO.** El filtro de aire de su unidad es una de las piezas más importantes para el mantenimiento de la misma. Si no se mantiene correctamente, se **invalidará** la garantía. Antes de limpiarlo, cerciórese de que la unidad esté apagada.

1. Retire los tornillos de cada lado del conjunto del carburador/tapa del filtro de aire. Retire la tapa del filtro de aire (Fig. 11).

Nota: La palanca del obturador debe estar en la posición "OBTURADOR" para poder retirar e instalar la tapa del filtro de aire.

2. Desmonte el filtro de aire (Fig. 26).
3. Lave el filtro con agua con detergente (Fig. 27). Enjuáguelo repetidas veces y déjelo secar.

4. Aplique suficiente aceite SAE 30 limpio como para saturar el filtro (Fig. 28).
5. Apriete el filtro para empaparlo de aceite (Fig. 29).
6. Vuelva a instalar el filtro (Vea la Fig. 26), la tapa del filtro de aire y los tornillos (Vea la Fig. 11).

Nota: Si se hace funcionar la unidad **sin** el conjunto del carburador/tapa del filtro de aire, se **invalidará** la garantía.

Ajuste del carburador

Esta unidad está equipada con un carburador de tipo de diafragma que ha sido cuidadosamente calibrado en fábrica. Normalmente, no es necesario volver a ajustarlo.

Nota: Para satisfacer los requisitos de la regulación de emisiones del estado de California, el carburador está equipado con casquillos limitadores de la aguja de ajuste para restringir el ajuste.

El funcionamiento de la recortadora depende en gran medida del estado del filtro de aire. Un filtro sucio limitará el flujo de aire, modificando la mezcla de combustible/aire en el carburador. Si ocurre esto, los síntomas observados pueden confundirse fácilmente con los de un carburador desajustado. Por lo tanto, **compruebe el estado del filtro de aire antes de ajustar el carburador.** Consulte la sección **Mantenimiento del filtro de aire.**

Si se experimentan algunas de las siguientes condiciones, es posible que sea necesario ajustar el carburador:

- El motor no funciona a ralentí
- El motor vacila o se cala durante la aceleración
- No se corrige la pérdida de potencia de motor cuando se limpian el filtro de aire y el silenciador

Nota: Un ajuste descuidado puede dañar seriamente a su unidad.

Ajuste del carburador

1. Limpie el filtro de aire si estuviera sucio. Consulte la sección **Mantenimiento del filtro de aire.**
2. Efectúe los ajustes iniciales con el motor parado. Estos ajustes iniciales deberían permitirle arrancar el motor y calentar la unidad antes de realizar los ajustes finales.

Ajustes iniciales de la velocidad de ralentí

- A. Para los carburadores **Walbro:** Haga **retroceder** el tornillo de la velocidad de ralentí (Fig. 30) (**en sentido contrario a las agujas del reloj**) *hasta que no toque* la palanca de la mariposa de gases del carburador. Después **introduzca** el tornillo (**en el sentido de las agujas del reloj**) hasta el punto en que *comience a mover* la palanca de la mariposa de gases; después continúe girándolo **2 vueltas completas.**
- B. Para los carburadores **Zama:** Haga **retroceder** el tornillo de la velocidad de ralentí (Fig. 31) (**en sentido contrario a las agujas del reloj**) *hasta que no toque* la palanca de la mariposa de gases del carburador. Para ello, observe cuidadosamente el movimiento de la palanca de la mariposa de gases hasta que se detenga. Después **introduzca** el tornillo (**en el sentido de las agujas del reloj**) hasta el punto en que *comience a mover* la palanca de la mariposa de gases; después continúe girándolo **1/2 vuelta.**

3. **Ajustes iniciales de la aguja de la mezcla de alta velocidad y de la mezcla de velocidad en ralentí:** Gire ambas agujas, **hacia afuera (en sentido contrario a las agujas del reloj)** hasta que el casquillo limitador se detenga.

ADVERTENCIA

PELIGRO POTENCIAL

- El motor debe estar funcionando para efectuar ciertos ajustes en el carburador.
- Cuando el motor está funcionando, la cabeza de corte está girando y otras piezas están en movimiento.

LO QUE PUEDE SUCEDER

- El contacto con la cabeza de corte girando o con otras piezas en movimiento puede causar graves lesiones e incluso la muerte.

COMO EVITAR EL PELIGRO

- Mantenga las manos, los pies y la ropa lejos de la cabeza de corte y de otras piezas en movimiento.
- Mantenga a todos los espectadores y los animales domésticos lejos de la unidad mientras efectúa los ajustes en el carburador.

4. Ponga en marcha el motor y déjelo funcionar durante un minuto.
5. Suelte el gatillo del acelerador y deje el motor a ralentí. Si el motor se detiene, gire el tornillo de velocidad a ralentí (Figs. 30 y 31) **en el sentido de las agujas del reloj, 1/8 de vuelta** de cada vez, hasta que el motor funcione a ralentí.

Nota: Si se fuerzan los casquillos limitadores con un destornillador se dañará la punta de la aguja y el asiento del cuerpo del carburador.

6. **Ajustes finales de la aguja de mezcla de la velocidad en ralentí y del tornillo de la velocidad en ralentí :** Ajuste el tornillo de velocidad en ralentí y la aguja de mezcla de la velocidad en ralentí para conseguir un funcionamiento más suave del motor en régimen de ralentí.
 - A. Gire la aguja de mezcla de la velocidad en ralentí (Figs. 30 y 31) **introduciéndola (en sentido de las agujas del reloj)** hasta que

se escuche el ralentí más acelerado; después **saque la aguja (sentido contrario a las agujas del reloj) 1/8 de vuelta.**

- B. Apriete el gatillo del acelerador. Si el motor se atasca o vacila mientras acelera, gire la aguja de mezcla de la velocidad en ralentí (Figs. 30 y 31) **(en sentido contrario a las agujas del reloj) 1/16 de vuelta** de cada vez, hasta que motor acelere rápidamente.
- C. Si la velocidad de ralentí cambia de forma significativa debido a las acciones de los pasos a y b, vuelva a ajustar el tornillo de la velocidad en ralentí (consulte el paso 2).

7. Ajuste final de la aguja de mezcla de alta velocidad:

- A. No se recomienda el ajuste de la aguja de mezcla de alta velocidad sin un tacómetro de precisión de alta velocidad.
- B. En fábrica se ajusta la aguja de mezcla de alta velocidad a 1-1/4 de vuelta de la posición cerrada. Su unidad debería funcionar correctamente con dicho ajuste. Si fuera necesario un ajuste adicional, póngase en contacto con su concesionario local de servicio autorizado.

Nota: Si se desmontan en cualquier momento los casquillos limitadores, su unidad no cumplirá los requisitos de la regulación de emisiones del estado de California de 1995 y se **invalidará** la garantía.

Nota: Si el ajuste del carburador no ayuda a mejorar el funcionamiento de la unidad, póngase en contacto con su concesionario de servicio autorizado.

Reemplazo de las bujías

Utilice una bujía Champion RDJ7Y (o equivalente). Corrija la distancia entre los electrodos a **0,5 mm (0,020 pulgadas)**. Saque la bujía **cada 50 horas de funcionamiento** y compruebe su estado.

1. Pare el motor y desconecte el cable de la bujía.
2. Limpie alrededor de la bujía y sáquela de la culata de cilindros.

Nota: Reemplace las bujías agrietadas, deterioradas o sucias. No utilice papel de lija para raspar o limpiar los electrodos ya que el motor podría dañarse si entra arenilla en el cilindro.

3. Fije la distancia entre los electrodos en **0,5 mm (0,020 pulgadas)** utilizando *un calibre* (Fig. 32). Instale la bujía ajustada en la culata de cilindros. Apriete a un par de (12,3-13,5 N•m (110-120 pulg•lb)).

Inspección/Limpieza del silenciador

Se debe desmontar el silenciador **cada 25 horas de funcionamiento** para inspeccionar si se ha acumulado excesiva carbonilla. Un depósito excesivo de carbonilla alrededor de las lumbreras o los orificios de escape causarán un funcionamiento defectuoso del motor.

Siga el procedimiento siguiente para sacar, inspeccionar, limpiar y volver a instalar el silenciador.

1. Saque los pernos de montaje del silenciador (Fig. 33).
2. Saque el silenciador (con el protector de la cabeza) y la junta. Deseche la junta vieja.

Inspección y limpieza

1. Revise la lumbrera de entrada del silenciador y la lumbrera de salida del cilindro en busca de depósitos excesivos de carbonilla (Fig. 34). Límpielos si fuera necesario.
2. Inspeccione los orificios de montaje del silenciador por si se han alargado. Si así fuera, reemplace el silenciador.

Montaje del silenciador

1. Instale una junta nueva. Cerciórese de que la flecha dibujada en la junta esté a su mano derecha. Pliegue la lengüeta (con la flecha) entre el cilindro y el aro de refuerzo de plástico (Fig. 35).
2. Instale el silenciador con los pernos de montaje (Vea la Fig. 33) y apriételes a un par de (9-10,1 N•m (80-90 pulg•lb {F0}).

Limpieza

ADVERTENCIA

PELIGRO POTENCIAL

- La superficie del silenciador se calienta cuando la recortadora está en funcionamiento y permanece caliente durante algún tiempo después de apagado el motor.

LO QUE PUEDE SUCEDER

- El contacto con la superficie caliente del silenciador puede causar quemaduras.

COMO EVITAR EL PELIGRO

- Cerciórese de que el silenciador esté frío antes de inspeccionarlo y limpiarlo.

ADVERTENCIA

PELIGRO POTENCIAL

- Cuando el motor está funcionando, la cabeza de corte está girando y otras piezas están en movimiento.

LO QUE PUEDE SUCEDER

- El contacto con la cabeza de corte girando o con otras piezas en movimiento puede causar graves lesiones e incluso la muerte.

COMO EVITAR EL PELIGRO

- Apague siempre la recortadora antes de limpiarla o efectuar alguna reparación.

Utilice un cepillo pequeño para limpiar la parte exterior de la recortadora. No utilice detergentes fuertes en la caja de plástico o en la manija. Los productos de limpieza domésticos que contienen aceites aromáticos, tales como la esencia de pino o de limón, o disolventes tales como el queroseno, pueden dañar la recortadora. Seque la humedad con un paño suave.

Almacenamiento

Si se va al almacenar la recortadora durante un período prolongado de tiempo, siga el procedimiento siguiente.

1. Drene el combustible del depósito en un recipiente que contenga la misma mezcla de combustible de 2 tiempos. **No utilice un combustible que haya estado almacenado más de 60 días.** Deseche la mezcla vieja de combustible/aceite de una manera adecuada y utilice una mezcla fresca.

2. Ponga en marcha el motor y espere hasta que se cale. De esta forma se puede estar seguro de que se ha drenado todo el combustible del carburador.
3. Espere a que enfríe el motor. Saque la bujía y añada aproximadamente 30 ml (1 oz.) de cualquier aceite de motor de alta calidad o de aceite de 2 tiempos en el cilindro. Hale lentamente la cuerda de arranque para distribuir el aceite. Vuelva a colocar la bujía.

Nota: Saque el tapón de la bujía y drene todo el aceite del cilindro antes de intentar poner en marcha la recortadora después de un período de almacenamiento.

4. Limpie minuciosamente la unidad y compruebe que no hay piezas sueltas o deterioradas. Repare o reemplace las piezas deterioradas y apriete los tornillos, tuercas o pernos que pudieran estar flojos.

La unidad está lista para ser almacenada.

5. Guarde la recortadora en un recinto seco, correctamente ventilado y fuera del alcance de los niños.

Localización de averías

Problema	Causa	Acción
El motor no arranca	Depósito de combustible vacío No se apretó suficientemente la perilla de cebado Motor inundado	Llene el depósito de combustible Oprima a tope y lentamente la perilla de cebado de 5 a 7 veces Siga el procedimiento de arranque SIN UTILIZAR EL OBTURADOR
El motor no funciona a ralentí	Cabeza de corte enredada en las hojas	Parar el motor y limpiar la cabeza de corte
El motor no acelera	Carburador mal ajustado	Ajustar el carburador
El motor no tiene potencia o se cala durante el corte	Se ha soltado el cable del acelerador Filtro de aire sucio No hay aceite en el combustible	Apretar el cable del acelerador Limpiar o reemplazar el filtro de aire Añadir aceite al combustible
La cabeza de corte no hace avanzar la línea	Línea agotada en la cabeza de corte El carrete interior está liado Cabeza de corte sucia Dientes de posicionamiento desgastados o con rebabas Línea soldada Línea retorcida No hay suficiente línea expuesta	Colocar una línea de corte nueva Reemplazar el carrete interior Limpiar el carrete y la bobina Reemplazar el carrete y la bobina Desmontar, sacar la sección soldada y rebobinar la línea Desmontar y rebobinar la línea Oprima la perilla de tope y tire de 102 mm (4 pulg.) de línea hasta que sobresalga suficiente línea por la cabeza de corte

Si se necesita asistencia adicional, póngase en contacto con su concesionario local de servicio autorizado de Toro.

Especificaciones técnicas

Motor

Tipo de motor	Refrigerado por aire, 2 tiempos
Carrera	31,75 mm (1,25 pulg.)
Cilindrada	31 cc (1,9 cu. pulg.)
Calibre	34,79 mm (1,37 pulg.)
Tipo de embrague	Ninguno
Régimen de funcionamiento	7000 rpm
Tipo de encendido	Electrónico
Distancia entre los electrodos del módulo CD	0,254-0,381 mm (0,10-0,15 pulg.)
Anchura del anillo del pistón	1,16 mm (0,046 pulg.)
Distancia de extremo del anillo del pistón#	2,159 mm (0,085 pulg.)
Holgura lateral del anillo del pistón	0,127 mm máx. (0,005 pulg.)
Compresión media	41 a 55 kg (90 a 120 lbs)
Bujía	Champion RDJ7Y
Distancia entre los electrodos de la bujía	0,5 mm (0,020 pulg.)
Lubricación	Mezcal de combustible/aceite
Relación de combustible/aceite	32:1
Carburador	Diafragma, todas las posiciones
Arrancador	Rebobinado automático
Silenciador	Amortiguado por el protector
Acelerador	Manual, retorno por muelle
Capacidad del depósito de combustible	530 ml (18 oz)
Cojinetes	Aguja y bola

Árbol del cigüeñal	Cantilever
Biela	Acero troquelado
Depósito de combustible	Polietileno de alta densidad

Eje impulsor y cabeza de corte

Eje impulsor	Vanadio de cromo, 1/4"
Alojamiento del eje impulsor	Tubo de acero
Peso de funcionamiento	Aprox, 4,73 kg (10,5 lbs)
Control del acelerador	Gatillo manual
Correa de sujeción	Opcional
Bobina de línea	Liberador de línea
Diámetro de la bobina de línea	76,2 mm (3 pulg.)
Diámetro de la línea de corte	2,03 mm (0,080 pulg.)
Diámetro del sendero de corte	45,7 cm (18 pulg.)

Especificaciones del par de apriete del motor frío

Pernos del cilindro	13,5 N•m (120 pulg.•lb)
Pernos del silenciador	9-10,1 N•m (80-90 pulg.•lb)
Pernos de montaje del carburador	1,67 N•m (15 pulg.•lb)
Pernos de montaje del aro de refuerzo	13,5 N•m (120 pulg.•lb)
Tornillos de montaje del módulo	3,2 N•m (28 pulg.•lb)
Tornillos del alojamiento del arrancador	4,5 N•m (40 pulg.•lb)
Tornillos de la tapa del depurador de aire	40 pulg.•lb (4,5 N•m)
Tuerca del volante	16,9 N•m (150 pulg.•lb)
Bujía	12,3-13,5 N•m (110-120 pulg.•lb)
Tornillo del carrete	1,67 N•m (15 pulg.•lb)

Garantía de control de emisiones en California

Derechos y deberes relacionados con su garantía

El Departamento de recursos relacionados con el aire del estado de California y Toro se complacen en explicarle la garantía que acompaña al sistema de control de emisiones con el que está equipado el motor de su equipo de jardinería y cortadora de césped de 1995. En el estado de California, los motores para los nuevos equipos de jardinería y cortadoras de césped deben estar diseñados, fabricados y equipados siguiendo las rigurosas normas anti humos de dicho estado. Toro debe garantizar el sistema de control de emisiones de su motor por el período de tiempo que se indica a continuación siempre que no hay habido abuso, negligencia o mantenimiento inadecuado del motor.

Es posible que su sistema de control de emisiones incluya piezas tales como el carburador, el sistema de encendido, las mangueras, las correas, los conectores y otros dispositivos relacionados con las emisiones.

En los casos en que se aplique la garantía, Toro reparará el motor de su equipo de jardinería sin cargo alguno incluyendo el diagnóstico, las piezas y la mano de obra.

Los motores del equipo de jardinería de 1995 y posteriores están garantizados por dos años. Si alguna pieza de su motor relacionada con las emisiones está defectuosa, Toro reparará o reemplazará dicha pieza.

Responsabilidades del propietario de la garantía:

- Como propietario del motor del equipo de jardinería, **Vd. es responsable de realizar las operaciones de mantenimiento incluidas en su manual de propietario.** Toro recomienda que conserve todos los recibos relativos a servicios de mantenimiento de su equipo, pero Toro no

puede negar su responsabilidad respecto a la garantía exclusivamente por motivos de ausencia de recibos o por su incapacidad de probar que se han cumplido los programas de mantenimiento requeridos.

- No obstante, como propietario del equipo de jardinería, debe ser consciente que Toro puede negar su responsabilidad en la cobertura de su garantía si el equipo de jardinería, o alguna pieza ha fallado debido al abuso, la negligencia, un mantenimiento incorrecto o la modificación inautorizada de las piezas.
- Vd. es responsable de presentar su equipo de jardinería en un Concesionario de servicio TORO tan pronto como aparezca el problema. Las reparaciones cubiertas por la garantía se efectuarán en un período razonable de tiempo, sin exceder los **30 días**.

Si tiene alguna duda sobre los derechos que le concede su garantía y las obligaciones que representa, llame al 1-800-237-2654.

Cobertura de la garantía del fabricante:

- El período de garantía entra en vigor en la fecha de entrega del motor o del equipo al comprador.
- El fabricante garantiza al propietario original y a cada uno de los siguientes propietarios que el motor está exento de defectos, tanto de material como de mano de obra, que podrían causar el fallo de una pieza garantizada por un período de dos años.
- La reparación o el reemplazo de una pieza garantizada se efectuará en un Concesionario de Servicio Autorizado Toro, sin coste alguno para el propietario. Para obtener información sobre el emplazamiento más próximo, póngase en contacto con Toro llamando al: 1-800-237-2654.
- Cualquier pieza cubierta por la garantía que no haya alcanzado el momento necesario para su reemplazo, y que en el programa de mantenimiento esté marcada como “Reparar o reemplazar si fuera necesario”, está garantizada durante el período de garantía. Cualquier pieza

garantizada que deba ser reemplazada según el programa de mantenimiento estará garantizada durante el período de tiempo transcurrido hasta el momento en que deba ser reemplazada por primera vez.

- El propietario no estará a cargo de los gastos ocasionados por la labor de diagnóstico que conduzca a determinar que la pieza garantizada es defectuosa, si dicha labor de diagnóstica ha sido realizada en un Concesionario de Servicio Autorizado Toro.
- El fabricante es responsable de los daños causados a otras piezas del motor debido al fallo de una pieza garantizada todavía cubierta por la garantía.
- Los daños causados por el abuso, la negligencia o un mantenimiento incorrecto no estarán cubiertos por la garantía.
- El uso de piezas modificadas o que hayan sido añadidas al equipo puede establecer las bases del rechazo de una petición de garantía. El fabricante

no es responsable de cubrir los fallos del equipo o de las piezas garantizadas consecuencia del uso de piezas añadidas o modificadas.

- Para realizar una petición, diríjase a su Concesionario de Servicio Autorizado Toro más cercano. Las reparaciones o servicios de garantía estarán disponibles en cualquier Concesionario de Servicio Autorizado Toro.
- Cualquier pieza de repuesto aprobada por el fabricante puede ser utilizada en cualquier servicio de mantenimiento o reparación de piezas relacionadas con las emisiones y será suministrada sin coste alguno para el propietario. Cualquier pieza de repuesto que sea equivalente en rendimiento o durabilidad puede ser utilizada en los servicios de mantenimiento o reparaciones no garantizados y no reducirán las obligaciones del fabricante relativas a la garantía.
- Los siguientes componentes están incluidos en la garantía del motor relacionada con las emisiones: el filtro de aire, el carburador, el cebador, las líneas de combustible, el filtro de combustible/recogida de combustible, el módulo de encendido, la bujía y el silenciador .



Productos manuales
a gasolina

LA GARANTÍA TORO DE COBERTURA TOTAL

Una garantía completa
(Garantía limitada para aplicaciones comerciales)

¿Qué es lo que cubre esta Garantía Exprés?

The Toro Company se compromete a reparar cualquier producto TORO utilizado para uso residencial normal*, si hubiera defectos en los materiales o la mano de obra. Los siguientes períodos de tiempo entran en vigor a partir de la fecha de la compra:

- Los productos manuales a gasolina de TORO con los modelos n° 51911, 51916, 51918 y 58452 3 años de garantía completa
- Todos los demás productos manuales a gasolina de TORO 2 años de garantía completa

Se incluye el coste de las piezas y el trabajo, pero el cliente paga los costes de transporte.

*Un uso residencial normal se refiere al corte el césped en el terreno que rodea su hogar. El uso en más de una ubicación se considera un uso comercial y, en dicho momento, entrará en vigor la garantía para uso comercial.

¿Qué productos se cubren por esta Garantía?

Esta garantía se aplica a todas las recortadoras, sopladores/aspiradores, cultivadores y cortadores de maleza manuales a gasolina de TORO. Todos los demás productos eléctricos o a gasolina TORO están cubiertos por declaraciones de garantía independientes.

¿Y qué sobre el uso comercial?

Los productos TORO utilizados para uso comercial, institucional o para alquiler están garantizados contra los defectos de material y de mano de obra. Los siguientes períodos de tiempo entran en vigor a partir de la fecha de la compra:

- Productos manuales a gasolina TORO utilizados comercialmente . . . 45 días de garantía limitada
- Únicamente las reparaciones efectuadas por un concesionario de servicio Toro autorizado está cubiertas por esta garantía.

¿Cómo se obtiene el Servicio de garantía?

Si cree que su producto TORO requiere de un servicio que está cubierto por la garantía, póngase en contacto con el comercio donde adquirió el producto o cualquier concesionario autorizado de servicio TORO o con el Concesionario central de servicio de TORO. Las páginas amarillas de su guía telefónica son una excelente referencia. El concesionario organizará las disposiciones necesarias para efectuar las reparaciones en su establecimiento o le recomendará otro concesionario autorizado de servicio que le resulte más conveniente. Puede ser necesario presentar una prueba de compra (copia del cupón de registro, recibo de venta, etc.) para la validación de la garantía.

Si, por cualquier motivo, usted no quedase satisfecho del análisis que el concesionario de servicio realiza sobre los materiales o la mano de obra defectuosos, o si necesita una carta de presentación para el Concesionario de servicio TORO, no dude en ponerse en contacto con nosotros en la siguiente dirección:

Toro Customer Service Department
8111 Lyndale Avenue South
Bloomington, MN 55420-1196
612-888-8801
800-237-2654

30 días de satisfacción garantizada

Si, por cualquier motivo, no está satisfecho con su Producto manual a gasolina TORO antes de los 30 días de uso residencial, puede devolver el producto al comercio donde lo adquirió. El comerciante le ofrecerá la posibilidad de elegir entre el reembolso del precio de la compra o el crédito del valor total, válido para la compra de otro producto similar manual a gasolina TORO. Todos los reembolsos o créditos deben realizarse a través del comercio donde adquirió su producto manual a gasolina TORO.

¿Qué debe hacer usted para mantener vigente la garantía?

Usted debe mantener su producto TORO siguiendo los procedimientos de mantenimiento descritos en el manual del operador. Dichas intervenciones de mantenimiento, tanto si las realiza Usted como un concesionario de servicio, corren a su cargo.

¿Qué es lo que no cubre esta garantía? y ¿Cómo se relaciona la ley de su país a esta garantía?

No hay otra garantía exprés. Esta garantía exprés no cubre:

- Los costes del mantenimiento rutinario o de piezas, tales como filtros, combustible, lubricantes, piezas de puesta a punto, afilado de las cuchillas o ajustes del cableado/varillaje.
- Cualquier producto o pieza que haya sido alterado o mal utilizado o requiera ser sustituido o reparado debido a accidentes o falta del adecuado mantenimiento.
- Las reparaciones necesarias debidas al uso de un combustible incorrecto, la presencia de contaminantes en el sistema de combustible o la falta de preparación del sistema de combustible antes de comenzar un período de inactividad de más de tres meses.
- Costes de recogida y entrega.

Todas las reparaciones cubiertas por esta garantía deben ser efectuadas por un representante de servicio TORO autorizado que use piezas de repuesto TORO aprobadas.

Toro Company declina cualquier responsabilidad, en caso de daños indirectos, fortuitos o resultantes relacionados con la utilización de los productos TORO cubiertos por esta garantía, incluyendo cualquier coste o gasto relacionado con el suministro de equipo de sustitución o servicio durante los períodos de malfuncionamiento o inactividad razonables durante el transcurso de las reparaciones cubiertas por esta garantía. Ciertos estados no permiten la exclusión de daños directos o indirectos, por ello, es posible que la exclusión anterior no se pueda aplicar a su caso en particular

Esta garantía le concede determinados derechos legales, pero puede usted tener también otros derechos que varíen de país a país.

OTROS PAÍSES DISTINTOS A ESTADOS UNIDOS Y CANADÁ

Los clientes que compraron productos de TORO exportados de Estados Unidos o Canadá deben comunicarse con su Distribuidor (Concesionario) de TORO para pedir información acerca de la política sobre garantía para su país, provincia, estado o departamento. Si por cualquier motivo no queda satisfecho con el servicio del Distribuidor o tienen dificultad en obtener la información acerca de la garantía, comuníquese con el importador de TORO. Si fracasan todos los demás recursos, póngase en contacto directo con nosotros, The Toro Company.

Table des matières

	Page
Introduction	1
Sécurité	2
Plein de carburant et préliminaires	2
Durant l'utilisation	3
Entretien et remisage	3
Décalcomanies de sécurité et d'instructions	4
Glossaire des pictogrammes	4
Assemblage	5
Montage de la poignée en étrier	5
Montage du pare-fil	5
Avant la mise en marche	5
Huile et carburant	5
Mélange de l'huile et du carburant	7
Utilisation	7
Mise en marche/arrêt	7
Réglage de la longueur du fil de coupe ...	8
Bordures ornementales	8
Entretien	9
Plan d'entretien	9
Mise en place du fil de coupe	9
Montage d'une bobine pré-garnie	10
Entretien du filtre à air	10
Réglage du carburateur	11
Remplacement de la bougie	12
Inspection/nettoyage du silencieux	13
Nettoyage	13
Remisage	14
Dépannage	15
Fiche technique	16
Moteur	16
Arbre moteur & tête de coupe	16
Couple de serrage spécifié, moteur froid ..	16
Déclaration de garantie anti-pollution pour la Californie	17
Garantie	19

Introduction

Merci pour votre achat d'un produit Toro.

Chez Toro, notre désir à tous est que vous soyez entièrement satisfait de votre nouveau produit. N'hésitez donc pas à contacter votre concessionnaire agréé local qui tient à votre disposition un service d'entretien et de réparations, des pièces détachées et toute information qui pourrait vous être utile.

Chaque fois que vous contactez votre concessionnaire agréé ou l'usine, tenez à leur disposition les numéros de modèle et de série du produit. Ces numéros aideront le concessionnaire ou le représentant du service après-vente à vous fournir des informations précises concernant votre produit particulier. Vous trouverez les numéros de modèle et de série de votre appareil sur une étiquette à l'endroit indiqué à la figure 1.

A titre de référence, notez les numéros de modèle et de série de l'appareil dans l'espace ci-dessous.

No. de modèle _____
No. de série _____

Lisez attentivement ce manuel pour vous familiariser avec l'utilisation et l'entretien correct de votre produit. La lecture de ce manuel vous aidera, ainsi que les autres utilisateurs, à éviter des accidents corporels et des dommages au produit. Bien que Toro conçoive, fabrique et commercialise des produits sûrs, à la pointe de la technologie, vous avez la responsabilité de l'utiliser correctement et en toute sécurité. Vous êtes également responsable d'instruire les personnes auxquelles vous permettrez d'utiliser le produit, sur l'usage en toute sécurité.

Les mises en garde de ce manuel identifient les dangers potentiels et comprennent des messages de sécurité spécifiques destinés à vous éviter, à vous-même ou à d'autres personnes, des blessures ou des accidents bénins ou graves, voire mortels. Les

prises en garde sont intitulées DANGER, AVERTISSEMENT et ATTENTION, suivant le niveau de danger. Toutefois, quel que soit ce niveau, soyez extrêmement prudent.

DANGER signale un danger sérieux, entraînant inévitablement des blessures graves, voire mortelles, si les précautions recommandées ne sont pas respectées.

ATTENTION signale un danger pouvant entraîner des blessures graves, voire mortelles, si les précautions recommandées ne sont pas respectées.

PRUDENCE signale un danger pouvant entraîner des blessures légères ou modérées si les précautions recommandées ne sont pas respectées.

Deux autres termes sont également utilisés pour mettre en évidence certaines informations: “Important”, pour attirer l’attention sur des informations mécaniques spécifiques, et “Remarque”, pour des informations d’ordre général méritant une attention particulière.

Sécurité

Remarque: Utilisation dans les forêts domaniales des Etats-Unis et dans les Etats de Californie, Maine, Orégon et Washington. Dans toutes les forêts domaniales des Etats-Unis ainsi que dans les Etats de Californie (Codes des ressources publiques 4442 et 4443), d’Orégon et de Washington, la loi requiert que certains moteurs à combustion interne utilisés en zone forestière couverte d’herbe ou de broussailles soient équipés d’un pare-étincelle en état de marche, ou que le moteur soit construit, équipé et entretenu pour éviter les incendies. Renseignez-vous auprès des autorités locales ou de l’Etat pour connaître la

réglementation en vigueur. Le non-respect de ces obligations peut impliquer votre responsabilité ou vous exposer à des amendes. **Cet appareil n’est pas équipé d’origine d’un pare-étincelle.** Si ce dispositif est obligatoire dans votre région, demandez à votre marchand de monter sur votre appareil le **kit de pare-étincelle accessoire en option, réf. n° 180030.**

Plein de carburant et préliminaires

1. L’essence est extrêmement inflammable, et ses vapeurs peuvent exploser en cas d’ignition. Toujours couper le moteur et le laisser refroidir avant de remplir le réservoir de carburant. Ne pas fumer lorsqu’on remplit le réservoir de carburant. Travailler loin de toute flamme nue ou source d’étincelles.
2. Conserver l’essence et le carburant uniquement dans des récipients conçus et agréés pour cela.
3. La pression peut s’accumuler dans le réservoir de carburant. Desserrer lentement le bouchon du réservoir pour libérer la pression en douceur.
4. Faire le plein de carburant dans un local propre, bien aéré. Eponger immédiatement le carburant répandu. Si l’on a répandu du carburant, le laisser sécher entièrement avant de mettre le moteur en marche.
5. Eloigner le taille-bordure d’au moins 3 m (10 pieds) de l’endroit où l’on a fait le plein avant de mettre le moteur en marche.
6. Avant chaque utilisation du taille-bordure, contrôler soigneusement qu’il n’y a pas de pièces endommagées ou mal fixées. Ne pas utiliser l’appareil avant d’avoir apporté les corrections ou les réparations nécessaires.
7. Eviter le démarrage accidentel. Toujours se tenir en position de démarrage lorsqu’on tire la corde du lanceur.

8. Tenir tout le monde éloigné d'au moins 10 m (33 pieds) de la zone de travail, surtout les enfants et les animaux domestiques.
9. Inspecter soigneusement les zones à tondre. Retirer tous les débris susceptibles de se prendre dans le fil ou la lame. Retirer également les objets susceptibles d'être projetés durant la tonte.
10. Avant de mettre l'appareil en marche, s'assurer que la tête de coupe et le fil ne touchent rien.
11. Rester vigilant. Pour éviter les accidents à soi-même ou à d'autres personnes, ne pas utiliser ce taille-bordure si l'on se sent fatigué..
12. Ne pas utiliser cet appareil sous l'influence de drogues, d'alcools ou de médicaments.
7. N'utiliser le taille-bordure qu'à l'extérieur, dans un endroit bien aéré. Le monoxyde de carbone présent dans les gaz d'échappement peut être mortel dans un endroit confiné.
8. Si l'on percute ou accroche un obstacle, couper immédiatement le moteur et vérifier si l'appareil n'est pas endommagé. Apporter les réparations nécessaires avant d'utiliser à nouveau l'appareil. Ne pas utiliser le taille-bordure s'il présente des pièces endommagées ou mal fixées.
9. Utiliser un appareil adapté à la tâche. N'utiliser le taille-bordure que pour les tâches pour lesquelles il est conçu.
10. Ne pas forcer l'appareil à une vitesse supérieure à celle à laquelle il est capable de couper correctement.
11. Ne pas tenter d'atteindre des endroits trop éloignés. Toujours se tenir bien en équilibre et veiller à ne pas glisser.
12. Ne pas faire tourner le moteur plus vite que nécessaire pour la tonte et la taille des bordures. Ne pas faire tourner le moteur à haut régime lorsqu'on ne coupe rien.
13. Le pare-fil doit être en place lors de toute utilisation du taille-bordure.
14. Ne pas allonger le fil au-delà de la longueur spécifiée dans ce manuel.
15. Toujours arrêter le moteur si l'on doit interrompre la coupe, ou lors des déplacement d'une zone de taille à une autre.

Durant l'utilisation

1. Porter des lunettes de sécurité ou des protections oculaires lors de toute utilisation du taille-bordure.
2. Porter un équipement approprié. Ne pas utiliser le taille-bordure nu-pieds ou en sandales. Toujours porter des chaussures solides à semelle de caoutchouc. Le port de gants, de protections auditives et d'un pantalon est recommandé.
3. Ne pas porter de vêtements ou d'objets flottants tels que des écharpes, cravates, pendentifs, etc., susceptibles d'être aspirés dans la prise d'air. Attacher les cheveux longs pour qu'ils ne risquent pas d'être aspirés dans la prise d'air.
4. Ne pas approcher les mains et les pieds des pièces en mouvement. Ne pas essayer de toucher ou d'arrêter le fil lorsqu'il tourne.
5. Ne pas toucher le cylindre ou l'échappement. Ces pièces deviennent brûlantes durant l'utilisation et mettent un certain temps à refroidir lorsqu'on arrête l'appareil.
6. Toujours tenir le taille-bordure à deux mains durant l'utilisation. Tenir fermement les poignées avant et arrière.

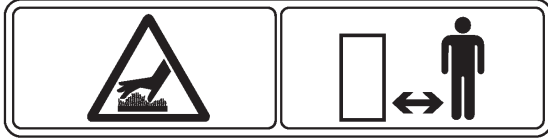
Entretien et remisage

1. Utiliser exclusivement des pièces de rechange Toro, en vente chez les concessionnaires agréés, pour l'entretien et les réparations. L'usage de pièces non standard ou d'accessoires non agréés pour ce taille-bordure peut occasionner des blessures graves à l'utilisateur, endommager l'appareil, et vous faire perdre le droit à la garantie.
2. Ranger le taille-bordure au sec dans un endroit approprié, sous clé, pour éviter qu'il ne soit utilisé sans autorisation ou endommagé. Conserver l'appareil hors de portée des enfants.

Décalcomanies de sécurité et d'instructions



Des décalcomanies de sécurité et d'instructions bien visibles pour l'utilisateur sont placées près de toutes les sources potentielles de danger. Remplacer les décalcomanies endommagées ou perdues.



SUR LE MOTEUR
(Réf. n° 92-3332)



SUR LE RÉSERVOIR DE CARBURANT
(Réf. n° 92-3334)



SUR LE MANCHE
(Réf. n° 92-3328)

Glossaire des pictogrammes

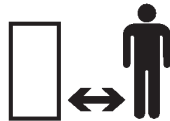
Surface brûlante



Porter une protection oculaire et auditive.



Rester à une distance suffisante de la machine.



Projection d'objets – Risques pour tout le corps



Lire le manuel d'instructions



Renseignements concernant l'entretien, appeler le:
1-800-237-2654



Carburant



Huile



Assemblage

Remarque: Les instructions d'assemblage ci-dessous doivent être suivies scrupuleusement si l'on veut éviter l'apparition de problèmes.

Montage de la poignée en étrier

1. Enfoncer la poignée en étrier sur le manche (Fig. 2).
2. Mettre en place le boulon, la rondelle et l'écrou papillon, et serrer (Fig. 2).

Montage du pare-fil

ATTENTION

DANGER POTENTIEL

- Le taille-bordure peut projeter des corps étrangers.

QUELS SONT LES RISQUES?

- Les objets projetés peuvent occasionner des blessures.

COMMENT SE PROTÉGER?

- Ne jamais utiliser le taille-bordure lorsque le pare-fil n'est pas en place.

Modèle 51903

1. Placer le pare-fil sur le montant juste au-dessus du collier (Fig. 3).
2. Abaisser le pare-fil jusque sur la tête de coupe, puis le tourner dans la position voulue (Fig. 4). Le pare-fil doit être tourné du même côté que le

moteur, et les perforations du pare-fil doivent correspondre à celles du dessus de la tête de coupe.

3. Insérer les vis et les serrer avec un tournevis Phillips (Fig. 5).

Modèle 51906

1. Glisser le pare-fil sur le support au-dessus de la tête de coupe. Faire correspondre les perforations du pare-fil et de l'ensemble de tête de coupe (Fig. 6).
2. Insérer les trois écrous hexagonaux dans les perforations au-dessus du pare-fil (Fig. 7).
3. Insérer les vis dans les trous par dessous le pare-fil, et serrer (Fig. 8).

Avant la mise en marche

Huile et carburant

CE MOTEUR EST CERTIFIÉ POUR L'UTILISATION D'UN MÉLANGE D'ESSENCE SANS PLOMB ET D'HUILE.

Remarque: LIRE SOIGNEUSEMENT LES INSTRUCTIONS QUI SUIVENT AVANT DE METTRE EN MARCHÉ OU D'UTILISER L'APPAREIL. L'usage d'huile ou de carburant inadéquats ou trop vieux, ou d'un mélange incorrect d'huile et de carburant, risque d'endommager le moteur. Ce type de dommage entraîne **l'annulation** de la garantie du moteur.

DANGER

DANGER POTENTIEL

- Dans certaines conditions, l'essence est extrêmement inflammable et hautement explosive.

QUELS SONT LES RISQUES?

- Un incendie ou une explosion provoqués par l'essence peuvent occasionner des brûlures à vous ou à d'autres personnes, ainsi que des dégâts matériels.

COMMENT SE PROTÉGER?

- Remplir le réservoir de carburant à l'extérieur, dans un endroit bien aéré, en utilisant un entonnoir, lorsque le moteur est froid. Eponger l'essence éventuellement répandue.
- Ne pas remplir entièrement le réservoir de carburant. Le niveau d'essence dans le réservoir ne doit pas dépasser 6 à 13 mm (1/4" à 1/2") sous le bas du goulot. L'espace au-dessus doit rester vide pour permettre la dilatation des vapeurs d'essence.
- Ne jamais fumer lorsqu'on manipule de l'essence. Se tenir à l'écart de toute flamme nue ou risque d'ignition des vapeurs par une étincelle.
- Conserver l'essence dans un récipient agréé, hors de portée des enfants.
- Ne pas faire de réserves d'essence supérieures à la quantité consommée en 30 jours.

Type d'huile recommandé

L'appareil est fourni avec un flacon de 240 ml (8oz.) d'huile pour moteur deux temps.

L'huile 2 temps TORO est recommandée pour cet appareil à moteur à usage extérieur. Avant d'utiliser une huile 2 temps d'autre marque, s'assurer qu'il s'agit d'une huile de haute qualité, destinée aux moteurs 2 temps refroidis par air.

DANGER

DANGER POTENTIEL

- Le mélange essence/huile contient des produits de distillation du pétrole.

QUELS SONT LES RISQUES?

- Le mélange essence/huile peut être toxique ou mortel en cas d'ingestion. Il est également irritant pour la peau.

COMMENT SE PROTÉGER?

- Ne pas boire le mélange essence/huile.
- Éviter un contact prolongé avec la peau. Laver soigneusement la peau après tout contact.
- Ne pas réutiliser un bidon d'huile vide.

IMPORTANT: En cas d'ingestion de mélange essence/huile, ne pas faire vomir. **APPELER IMMÉDIATEMENT UN MÉDECIN.**

Type d'essence recommandée

Utiliser de l'essence sans plomb propre et fraîche, ayant moins de 60 jours.

Remarque: L'alcool éventuellement mêlé au carburant absorbe l'humidité (l'eau). 1% d'humidité dans le carburant suffit déjà pour causer la dissociation du carburant et de l'huile et la formation d'acides durant la conservation.

Si l'on utilise ce type de carburant, utiliser du carburant frais (**conservé moins de 60 jours**) et effectuer le mélange conformément aux instructions.

Définition des carburants dilués

Les carburants actuels contiennent souvent un mélange d'essence et d'un ou plusieurs composés oxygénés tels que l'éthanol, le méthanol ou le MTBE (éther).

Usage des carburants dilués

Si l'on décide d'utiliser un carburant dilué ou si on ne peut pas faire autrement, respecter les précautions suivantes:

1. Utiliser toujours un mélange de carburant frais préparé selon les instructions du manuel.
2. Utiliser l'additif spécial STA-BIL[®] ou un produit équivalent.
3. Toujours bien agiter le mélange de carburant avant de remplir le réservoir.
4. Vider le réservoir puis faire tourner le moteur pour l'assécher complètement avant de ranger l'appareil.

Usage d'additifs pour carburant

L'usage d'additifs de carburant tels que le stabilisateur d'essence STA-BIL[®] ou un produit équivalent inhibe la corrosion et limite la formation de dépôts gommeux. Ajouter 6 ml par litre de carburant (0,8 oz par gallon) selon les instructions sur le flacon. NE JAMAIS ajouter l'additif directement dans le réservoir de l'appareil. **L'usage d'un additif permet de préserver la fraîcheur du carburant pour une durée maximum de 6 mois.**

Mélange de l'huile et du carburant

Remarque: Pour un bon fonctionnement du moteur et une fiabilité maximum, suivre soigneusement les instructions de mélange de l'huile et du carburant figurant sur le flacon d'huile 2 temps. Mélanger l'huile 2-temps et le carburant selon un **rapport carburant/huile 32:1**. L'usage d'un mélange incorrect peut endommager gravement le moteur.

Bien mélanger l'huile 2 temps et l'essence sans plomb dans un récipient séparé, dans les proportions voulues, **32:1**. Ne pas effectuer le mélange directement dans le réservoir du moteur. **Les proportions spécifiques du mélange d'essence et d'huile sont indiquées dans le tableau ci-dessous.**

Mélange ESSENCE/HUILE 32:1

Essence	Huile
1 gallon US (3,8 litres)	4.0 oz. (118 ml)
1 litre	30 ml

ATTENTION

DANGER POTENTIEL

- L'essence contient des gaz susceptibles de créer de la pression dans le réservoir.

QUELS SONT LES RISQUES?

- Des projections d'essence peuvent se produire lorsqu'on retire le bouchon du réservoir.

COMMENT SE PROTÉGER?

- Dévisser lentement le bouchon du réservoir pour éviter la projection dangereuse de carburant.

Utilisation

Mise en marche/arrêt

1. Mélanger l'huile et l'essence et remplir le réservoir de carburant selon les instructions, page 7.
2. Appuyer à fond sur l'amorceur et lâcher 5 à 7 fois. L'emplacement de l'amorceur est illustré à la figure 10.
3. Mettre le levier de starter en position de fermeture complète ("CHOKE"), voir figure 11.
4. Poser l'appareil sur le sol, serrer à fond la gâchette de commande des gaz et tirer rapidement la corde du lanceur comme illustré à

la figure 12 jusqu'à ce qu'on ait l'impression que le moteur veut démarrer (2 à 5 tractions sont normalement nécessaires).

5. Mettre le levier de starter en position d'ouverture partielle (Fig. 11). Tirer rapidement la corde du lanceur 1 à 3 fois jusqu'à ce que le moteur démarre (Fig. 12).
6. Si le moteur ne démarre pas, répéter l'opération du point 3 au point 5.
7. Laisser le moteur chauffer 5 à 10 secondes, puis mettre le levier de starter en position de marche ("RUN") (Fig. 11).
8. Pour arrêter le moteur, maintenir le commutateur d'arrêt en position "OFF" jusqu'à l'arrêt (Fig. 9).

Remarque: Lorsqu'on n'utilise pas l'appareil, ou pour le rangement, déposer l'appareil à plat sur le sol pour qu'il repose sur son support comme illustré à la figure 13, plutôt que de l'accrocher par le pare-fil ou la tête de coupe.

Réglage de la longueur du fil de coupe

Le taille-bordure est doté d'une tête de percussion qui permet de donner du fil sans arrêter le moteur. Pour donner du fil, frapper légèrement la tête de coupe sur le sol (Fig. 14 – Modèle 51903, Fig. 15 – Modèle 51906) en faisant tourner le moteur à **haut régime**.

Remarque: Veiller à ce que le fil ait toujours la longueur maximum. L'allongement du fil est plus difficile si on laisse le fil devenir trop court.

Chaque fois qu'on frappe la tête de coupe sur le sol, le fil sort d'environ 2,5 cm (1 pouce). Une lame montée dans le pare-herbe coupe le fil à la longueur voulue s'il en sort trop.

Frapper la tête de coupe de préférence sur un sol nu ou dur. Si l'on demande la sortie du fil dans l'herbe haute, le moteur risque de caler.

Bordures ornementales

Des bordures ornementales peuvent être réalisées autour des arbres, poteaux, barrières, etc. (Fig. 16 – Modèle 51903, Fig. 17 – Modèle 51906).

Entretien

Plan d'entretien

Les opérations d'entretien nécessaires doivent être effectuées à la fréquence indiquée dans le tableau ci-dessous pour que l'appareil continue de satisfaire les normes anti-pollution 1995 de Californie. Ces opérations doivent également être effectuées lors de la remise en service après l'hivernage.

Fréquence	Entretien requis	Voir:
Avant le démarrage	Remplir le réservoir d'un mélange correct d'huile et d'essence.	Page 7
Toutes les 10 heures	Nettoyer le filtre à air et le réimprégner d'huile.	Page 10
Toutes les 25 heures	Inspecter et nettoyer le silencieux.	Page 12
Toutes les 50 heures	Vérifier l'état de la bougie et l'écartement des électrodes.	Page 11

Mise en place du fil de coupe

Le fil de coupe peut être renouvelé de deux manières, en regarnissant la bobine de l'appareil ou en montant une bobine pré-garnie.

Regarnissage de la bobine

Pour regarnir la bobine qui se trouve dans l'appareil, il faut:

1. Vérifier la grosseur du fil.
2. Retirer la bobine à garnir et son ressort.
3. Enrouler le fil sur la bobine de l'appareil.
4. Remonter la bobine et son ressort.

Type de fil utilisé

ATTENTION

DANGER POTENTIEL

- Ne pas utiliser de fil métallique ou de ficelle. Ne pas utiliser de fil renforcé de métal.

QUELS SONT LES RISQUES?

- L'usage d'un fil incorrect peut entraîner des blessures.

COMMENT SE PROTÉGER?

- Utiliser uniquement du fil de rechange monofilament agréé Toro®
- Ne pas utiliser de fil métallique ou de ficelle. Ne pas utiliser de fil renforcé de métal.

La grosseur du fil est très importante. Utiliser du fil de 0.080 pouces de diamètre (2 mm). **L'usage d'un fil plus gros peut entraîner la surchauffe et la défaillance du moteur.**

Dépose de la bobine de l'appareil

1. Couper le moteur et attendre l'arrêt de toutes les pièces mobiles. Débrancher le fil de la bougie.

2. Tenir d'une main le porte-bobine extérieur et dévisser le bouton de percussion **en sens inverse aux aiguilles d'une montre** (Fig. 18). Contrôler que le boulon captif à l'intérieur du bouton de percussion puisse se mouvoir librement. Remplacer le bouton de percussion s'il est endommagé.
3. Retirer la bobine intérieure (Fig. 19).
4. Nettoyer l'intérieur du porte-bobine avec un chiffon propre (Fig. 20).

Remarque: Toujours nettoyer la bobine, le porte-bobine et l'axe avant de remonter le bouton de percussion.

5. Contrôler l'usure des ergots d'avance du fil de la bobine et du porte-bobine (Fig. 21). Si nécessaire, éliminer les bavures ou remplacer la bobine et le porte-bobine.

Garnissage de la bobine de l'appareil

1. Prendre environ 25 pieds (7,6 m) de fil de coupe neuf, et le plier en deux moitiés égales. Insérer chaque extrémité du fil dans un des deux trous de la bobine intérieure (Fig. 22). Tirer le fil pour faire disparaître la boucle.
2. Enrouler les fils sur la bobine en couches serrées et régulières (Fig. 23), dans le sens indiqué sur la bobine intérieure. Veiller à ce que les deux fils ne se chevauchent pas.

Remarque: Placer l'index entre les deux fils pour les empêcher de se croiser.

Remarque: Le non-respect du sens d'enroulement du fil indiqué entraîne un mauvais fonctionnement du mécanisme de déroulement à percussion.

3. Insérer les deux bouts du fil dans les fentes d'arrêt (Fig. 24).

Remontage de la bobine

1. Faire passer les bouts du fil dans les ouvertures du porte-bobine (Fig. 25), puis prendre les bouts du fil et tirer fermement pour détacher le fil des fentes d'arrêt de la bobine intérieure.
2. Maintenir la bobine intérieure en position et visser le bouton de percussion **dans le sens des aiguilles d'une montre** (voir Fig. 18). Le montage du fil est alors terminé.

Montage d'une bobine pré-garnie

1. Suivre les instructions de la rubrique **TYPE DE FIL UTILISÉ**.
2. Suivre les instructions de la rubrique **DÉPOSE DE LA BOBINE DE L'APPAREIL**.
3. Suivre les instructions de la rubrique **REMONTAGE DE LA BOBINE**

Entretien du filtre à air

Remarque: **NETTOYER LE FILTRE A AIR ET LE RÉIMPRÉGNER D'HUILE TOUTES LES 10 HEURES DE FONCTIONNEMENT.** Le filtre à air de l'appareil est un des éléments dont l'entretien est le plus important. La négligence de cet entretien **annule** la garantie. Avant d'entreprendre le nettoyage, s'assurer que l'appareil est arrêté.

1. Retirer les vis des deux côtés de l'ensemble de couvercle du filtre à air/carburateur. Déposer le couvercle du filtre à air (Fig. 11).

Remarque: Le levier de starter doit être en position entièrement fermée ("CHOKE") lors de la dépose et du montage du couvercle du filtre à air.

2. Déposer le filtre à air (Fig. 26).

3. Laver le filtre dans de l'eau additionnée de détergent (Fig. 27). Rincer soigneusement le filtre et le laisser sécher.
4. Imbiber le filtre d'huile SAE 30 jusqu'à ce qu'il en soit saturé (Fig. 28).
5. Presser le filtre pour répartir l'huile (Fig. 29).
6. Remonter le filtre (voir Fig. 26), le couvercle de filtre à air et les vis (voir Fig. 11).

Remarque: L'usage de l'appareil lorsque le couvercle du filtre à air **n'est pas** en place sur le carburateur **annule** la garantie.

Réglage du carburateur

Votre appareil est équipé d'un carburateur de type à membrane calibré à l'usine. Dans la plupart des cas, il ne doit plus être réglé.

Remarque: Pour se conformer à la législation californienne de 1995 contre la pollution, les pointeaux du carburateur sont pourvus de capuchons limitant les possibilités de réglage.

L'état du filtre à air a une grande influence sur le fonctionnement du taille-bordure. L'encrassement du filtre à air freine le passage de l'air et perturbe le mélange du carburant et de l'air dans le carburateur. Les symptômes qui en résultent sont souvent confondus avec un mauvais réglage du carburateur. Par conséquent, **vérifier l'état du filtre à air avant d'entreprendre un réglage du carburateur.** Voir **Entretien du filtre à air.**

Le réglage du carburateur peut être nécessaire si l'on rencontre les problèmes suivants:

- Le moteur ne tourne pas au ralenti;
- Le moteur hésite ou cale lors de l'accélération;

- On observe une perte de puissance du moteur qui n'est pas corrigée par un nettoyage du filtre à air et du silencieux.

Remarque: Un réglage mal effectué peut endommager gravement votre appareil.

Réglage du carburateur

1. Nettoyer le filtre à air s'il est sale. Voir **Entretien du filtre à air.**
2. Effectuer le réglage provisoire lorsque le moteur est à l'arrêt. Ce réglage provisoire doit permettre de faire démarrer le moteur et de le laisser chauffer avant d'effectuer le réglage définitif.

Réglage provisoire du régime de ralenti

- A. Carburateur **Walbro** : **Dévisser** la vis de régime de ralenti (Fig. 30) (**en sens contraire aux aiguilles d'une montre**) jusqu'à ce qu'elle ne touche plus le levier d'accélérateur du carburateur. **Revisser** ensuite la vis (**dans le sens des aiguilles d'une montre**) jusqu'à ce qu'elle commence juste de faire bouger le levier d'accélérateur, puis la visser encore de **2 tours complets.**
- B. Carburateur **Zama** : **Dévisser** la vis de régime de ralenti (Fig. 31) (**en sens contraire aux aiguilles d'une montre**) jusqu'à ce qu'elle ne touche plus le volet à l'intérieur du carburateur. Pour ce faire, guetter le moment où le levier d'accélérateur s'arrête. **Revisser** ensuite la vis (**dans le sens des aiguilles d'une montre**) jusqu'à ce qu'elle commence juste de faire bouger le levier d'accélérateur, puis la visser encore de **1 tour 1/2.**

3. **Réglage provisoire des pointeaux de richesse de haut régime et de ralenti** : **Dévisser** les pointeaux de richesse de haut régime et de ralenti (**en sens contraire aux aiguilles d'une montre**) jusqu'à ce que les capuchons limiteurs ne permettent pas d'aller plus loin.



ATTENTION

DANGER POTENTIEL

- Pour certains réglages du carburateur, le moteur doit être en marche.
- Quand le moteur est en marche, la tête de coupe tourne et d'autres pièces se déplacent.

QUELS SONT LES RISQUES?

- Le contact avec la tête de coupe en rotation ou d'autres pièces mobiles peut occasionner des blessures graves, voire mortelles.

COMMENT SE PROTÉGER?

- Ne pas approcher les mains, les pieds et les vêtements de la tête de coupe ou d'autres pièces mobiles.
- Ne laisser approcher aucune personne et aucun animal domestique durant le réglage du carburateur.

4. Lancer le moteur et le laisser tourner une minute.
5. Lâcher la gâchette de commande des gaz et laisser le moteur tourner au ralenti. Si le moteur cale, visser la vis de régime de ralenti (Figs. 30 et 31) (**dans le sens des aiguilles d'une montre**) de **1/8 de tour** à la fois (selon les besoins) jusqu'à ce que le moteur tourne au ralenti.

Remarque: Ne pas forcer les capuchons limiteur avec un tournevis, sous peine d'endommager l'extrémité des pointeaux et leur siège dans le corps du carburateur.

6. **Réglage définitif de la vis de régime de ralenti et du pointeau de richesse de ralenti :** Régler la vis de régime de ralenti et le pointeau de richesse de ralenti pour obtenir le ralenti le plus régulier.
 - A. Visser ensuite le pointeau de richesse de ralenti (Figs. 30 et 31) (**dans le sens des aiguilles d'une montre**) jusqu'à ce qu'on entende le ralenti le plus rapide, puis dévisser le pointeau de **1/8 de tour (en sens inverse aux aiguilles d'une montre)**.

- B. Serrer la gâchette de commande des gaz. Si le moteur bafouille ou hésite lors de l'accélération, **dévisser** le pointeau de richesse de ralenti (Figs. 30 et 31) (**en sens contraire aux aiguilles d'une montre**) de **1/16 de tour** à la fois jusqu'à ce que le moteur accélère rapidement.
- C. Si le régime de ralenti a changé significativement suite aux points a et b, régler à nouveau la vis de régime de ralenti (voir point 2).

7. Réglage définitif du pointeau de richesse de haut régime

- A. Il est déconseillé d'entreprendre le réglage du pointeau de richesse de haut régime si l'on ne dispose pas d'un tachymètre de précision pour haut régime.
- B. Le pointeau de richesse de haut régime est réglé à l'usine à 1 tour 1/4 de la position fermée. L'appareil devrait donner de bons résultats pour ce réglage. Si un réglage supplémentaire du pointeau de richesse de haut régime semble nécessaire, s'adresser à un réparateur agréé.

Remarque: Tout retrait des capuchons limiteurs, même temporaire, supprime la conformité de l'appareil à la législation californienne de 1995 contre la pollution, et **annule** la garantie.

Remarque: Si le réglage du carburateur ne résout pas les problèmes du moteur, s'adresser à un réparateur agréé.

Remplacement de la bougie

Utiliser une bougie Champion RDJ7Y (ou équivalente). L'écartement correct des électrodes est de **0,020 pouce (0,5 mm)**. Retirer la bougie **toutes les 50 heures de fonctionnement** et contrôler son état.

1. Couper le moteur et débrancher le fil de la bougie.

2. Nettoyer tout autour de la bougie, puis retirer la bougie de la culasse.

Remarque: Remplacer la bougie si elle est encrassée ou fêlée. Ne pas sabler, gratter ou nettoyer les électrodes, vu le risque d'endommager le moteur par l'introduction de particules dans le cylindre.

3. Régler l'écartement des électrodes à **0,020 pouce (0,5 mm)** à l'aide d'un *calibre d'épaisseur métallique* (Fig. 32). Si l'écartement est correct, monter la bougie dans la culasse et la serrer à **110-120 in•lb (12,3-13,5 N•m)**.

Inspection/nettoyage du silencieux

Le silencieux doit être déposé **toutes les 25 heures de fonctionnement** afin de contrôler s'il n'y a pas de dépôt excessif de calamine. Un dépôt excessif autour des ouvertures d'échappement risque d'affecter les performances du moteur.

Effectuer la dépose, l'inspection, le nettoyage et le remontage du silencieux comme expliqué ci-dessous.

ATTENTION

DANGER POTENTIEL

- La surface du silencieux devient brûlante durant le fonctionnement du taille-bordure et reste très chaude pendant un certain temps après l'arrêt du moteur.

QUELS SONT LES RISQUES?

- Le contact avec la surface très chaude du silencieux peut occasionner des brûlures.

COMMENT SE PROTÉGER?

- S'assurer que le silencieux soit suffisamment refroidi avant de l'inspecter et de le nettoyer.

1. Retirer les boulons de fixation du silencieux (Fig. 33).

2. Déposer le silencieux (avec son bouclier thermique) et son joint. Mettre le joint usagé au rebut.

Inspection et nettoyage

1. S'assurer que l'ouverture d'entrée du silencieux et de sortie du cylindre ne présentent pas de dépôt excessif de calamine (Fig. 34). Nettoyer si nécessaire.
2. Vérifier si le perçage de fixation du silencieux n'est pas déformé. Si les trous sont déformés, remplacer le silencieux.

Remontage du silencieux

1. Monter un nouveau joint. La flèche estampée dans le joint doit se trouver du côté droit. Insérer la patte (avec la flèche) entre le cylindre et le boîtier en matière plastique (Fig. 35).
2. Monter le silencieux à l'aide des boulons de fixation (voir Fig. 33) et serrer les boulons à **80-90 in•lb (9-10,1 N•m)**.

Nettoyage

ATTENTION

DANGER POTENTIEL

- Quand le moteur est en marche, la tête de coupe tourne et d'autres pièces se déplacent.

QUELS SONT LES RISQUES?

- Le contact avec la tête de coupe en rotation ou d'autres pièces mobiles peut occasionner des blessures graves, voire mortelles.

COMMENT SE PROTÉGER?

- Couper le moteur avant d'entreprendre toute opération de nettoyage ou d'entretien du taille-bordure.

Nettoyer l'extérieur du taille-bordure avec une petite brosse. Ne pas utiliser de détergents puissants sur la poignée ou le boîtier en plastique. Les produits de nettoyage ménager contenant des huiles aromatiques telles que de l'essence de pin ou de citron, et les solvants tels que le kérosène risquent également d'endommager ces pièces. Essuyer les pièces humides avec un chiffon doux.

Remisage

Suivre la procédure de remisage ci-dessous avant de mettre l'appareil de côté si l'on ne compte plus l'utiliser pendant une période assez longue.

1. Vider entièrement le carburant du réservoir et le recueillir dans un récipient contenant le même mélange pour moteur deux-temps. **Ne pas utiliser de carburant conservé pendant plus de 60 jours.** Se débarrasser du mélange périmé d'huile et de carburant conformément aux réglementations pour la protection de l'environnement, et utiliser un mélange frais.

2. Lancer le moteur et le laisser tourner jusqu'à ce qu'il cale, de manière à ce qu'il n'y ait plus de carburant dans le carburateur.
3. Laisser le moteur refroidir. Retirer la bougie, verser environ 30 ml (1 once) d'huile moteur de haute qualité ou d'huile deux temps dans le cylindre. Tirer lentement la corde du lanceur pour bien répartir l'huile dans le cylindre. Remonter la bougie.

Remarque: Retirer la bougie et vider toute l'huile contenue dans le cylindre avant de remettre le taille-bordure en service après le remisage.

4. Nettoyer soigneusement l'appareil et s'assurer que toutes les pièces sont bien fixées et en bon état. Réparer ou remplacer les pièces endommagées, et resserrer les vis, écrous et boulons mal serrés.

L'appareil est alors prêt pour le remisage.

5. Conserver la débroussailleuse dans un endroit sec, bien aéré, hors de portée des enfants.

Dépannage

Problème	Cause	Solution
Le moteur ne démarre pas	Pas de carburant dans le réservoir Amorçage insuffisant Moteur noyé	Faire le plein de carburant Presser l'amorceur lentement et à fond 5 à 7 fois Suivre la procédure de démarrage SANS UTILISER LE STARTER
Le moteur ne tourne pas au ralenti	Tête de coupe bloquée par de l'herbe	Couper le moteur et nettoyer la tête de coupe
Le moteur n'accélère pas	Carburateur mal réglé	Régler le carburateur
Le moteur manque de puissance ou cale durant la coupe	Câble de commande des gaz desserré Filtre à air encrassé Pas d'huile dans le carburant	Resserrer le câble de commande des gaz Nettoyer ou remplacer le filtre à air Ajouter de l'huile au carburant
La tête de coupe ne fait pas avancer le fil	Plus de fil dans la tête de coupe Grippage de la bobine intérieure Tête de coupe encrassée Ergots du système d'avance usés ou abîmés Fil soudé Torsion du fil lors du garnissage Longueur insuffisante de fil sorti	Remettre du fil dans la tête Remplacer la bobine intérieure Nettoyer la bobine et le porte-bobine Remplacer la bobine et le porte-bobine Démonter, éliminer la partie soudée et rebobiner le fil Démonter la bobine et rebobiner le fil Presser le bouton de percussion et tirer 10 cm de fil (4 pouces) hors de la tête de coupe

Pour toute assistance, s'adresser à un réparateur Toro agréé.

Fiche technique

Moteur

Type de moteur	2 temps refroidi par air
Course	1,25 in (31,75 mm)
Cylindrée	31 cc (1,9 cu. in)
Alésage	1,37 in (34,79 mm)
Type d'embrayage	Aucun
Régime de fonctionnement	7000 tr/min
Type d'allumage	Electronique
Entrefer d'allumage électronique CD	0,10-0,15 in (0,254-0,381 mm)
Largeur des segments de piston	0,046 in (1,16 mm)
Ouverture d'extrémité des segments	0,085 in (2,159 mm)
Jeu latéral des segments	0,005" max. (0,127 mm)
Compression moyenne	90 à 120 lbs. (41 à 55 kg)
Bougie	Champion RDJ7Y
Ecartement des électrodes de bougie	0,020 in (0,5 mm)
Lubrification	Mélange carburant/huile
Rapport carburant/huile	32:1
Carburateur	A membrane, toutes positions
Démarrage	Lanceur à corde
Silencieux	A chicane avec protection
Commande des gaz	Manuelle, à ressort de rappel
Capacité du réservoir de carburant	18 oz (530 ml)
Roulements	A aiguilles et à billes
Vilebrequin	En porte-à-faux
Bielle	Acier estampé

Réservoir de carburant	Polyéthylène HD
------------------------	-----------------

Arbre moteur & tête de coupe

Arbre moteur	Chrome Vanadium, 1/4"
Fourreau d'arbre moteur	Tube d'acier
Poids opérationnel	Env. 10,5 lbs (4,73 kg)
Commande des gaz	Gâchette serrée par les doigts
Bandoulière	En option
Bobine de fil	Mécanisme d'avance à percussion
Diamètre de bobine de fil	3 in (76 mm)
Diamètre du fil de coupe	0,080 in (2 mm)
Diamètre de tonte	18 in (45,7 cm)

Couple de serrage spécifié, moteur froid

Boulons de culasse	120 in•lb (13,5 N•m)
Boulons du silencieux	80-90 in•lb (9-10,1 N•m)
Boulons de montage du carburateur	15 in•lb (1,67 N•m)
Boulons de montage du capot	120 in•lb (13,5 N•m)
Vis de montage du module d'allumage	28 in•lb (3,2 N•m)
Vis du boîtier de lanceur	40 in•lb (4,5 N•m)
Vis du couvercle du filtre à air	40 in•lb (4,5 N•m)
Ecrou du volant	150 in•lb (16,9 N•m)
Bougie	110-120 in•lb (12,3-13,5 N•m)
Vis de lame souple	15 in•lb (1,67 N•m)

Déclaration de garantie anti-pollution pour la Californie

Droits et obligations en matière de garantie

Le California Air Resources Board et Toro ont le plaisir de vous présenter la garantie du système anti-pollution du moteur de votre machine ou appareil de jardin 1995. En Californie, les nouveaux appareils et machines de jardin doivent être conçus, fabriqués et équipés dans le respect des normes anti-brumée (anti-smog) très strictes imposées par l'Etat. Toro s'engage à garantir le système anti-pollution du moteur de votre machine ou appareil durant la période spécifiée ci-dessous, pour autant qu'il n'ait pas été victime d'usage abusif, de négligence ou de défaut d'entretien.

Le "système anti-pollution" peut inclure des pièces telles que le carburateur ou le système d'injection de carburant, le système d'allumage, le pot catalytique, ainsi que les flexibles, courroies, raccords et d'autres pièces impliquées dans le contrôle de la pollution.

Si les conditions de la garantie sont remplies, Toro s'engage à réparer le moteur de votre appareil ou machine de jardin à ses frais, notamment en ce qui concerne le diagnostic, les pièces et la main d'oeuvre.

Le moteur des appareils et machines utilitaires et de jardin 1995 et plus récents est garanti pendant deux ans. Toro s'engage à réparer ou remplacer toute pièce défectueuse du moteur impliquée dans le contrôle de la pollution.

Obligations de garantie pour le propriétaire:

- **Le propriétaire du moteur doit veiller à l'entretien du moteur selon le programme indiqué dans le mode d'emploi.** Toro vous conseille de conserver soigneusement toutes vos factures concernant l'entretien, mais Toro ne peut pas rejeter une demande d'intervention de la garantie pour la seule raison de l'absence de pièces justificatives ou de la non-exécution de toutes les opérations d'entretien recommandées.
- Le propriétaire du moteur doit savoir cependant que Toro peut rejeter les demandes de garantie si la défaillance du moteur ou des pièces est due à un usage abusif, à la négligence, au défaut d'entretien, à l'apport de modifications ou à l'usage de pièces non agréées.
- Le moteur de l'appareil doit être présenté chez un réparateur agréé Toro dès l'apparition d'un problème. Les réparations sous garanties doivent être effectuées dans un délai raisonnable, n'excédant pas **30 jours**.

Pour toute question concernant les droits et obligations en matière de garantie, appeler le 1-800-237-2654.

Couverture de garantie du fabricant:

- La période de garantie débute le jour où l'acheteur au détail prend livraison du moteur ou de l'équipement.
- Le fabricant assure au premier propriétaire et à tous les propriétaires suivants la garantie du moteur contre tout défaut de fabrication entraînant la défaillance d'une pièce garantie, durant une période de deux ans.
- La réparation ou le remplacement des pièces garanties seront effectués gratuitement chez un réparateur agréé Toro. Pour connaître l'adresse des réparateurs les plus proches, appeler Toro au: 1-800-237-2654.

- Toute pièce garantie dont le remplacement n'est pas prévu dans le cadre de la maintenance ordinaire, ou qui ne requiert qu'une inspection régulière en vue de "réparer ou remplacer si nécessaire", est couverte durant toute la durée de la garantie. Toute pièce garantie dont le remplacement est prévu dans le cadre de la maintenance ordinaire est couverte jusqu'au moment recommandé pour son premier remplacement.
- L'examen de diagnostic permettant d'établir la défaillance d'une pièce garantie est gratuit pour le propriétaire s'il est effectué chez un réparateur Toro agréé.
- Le fabricant est responsable des avaries causées à d'autres composants du moteur par la défaillance de pièces garanties encore sous garantie.
- Les défaillances résultant d'un usage abusif, de négligences ou d'un défaut d'entretien ne sont pas couvertes par la garantie.
- L'usage de pièces modifiées ou l'addition de pièces supplémentaires peuvent motiver un refus de garantie. Le fabricant n'est pas tenu de couvrir la défaillance de pièces garanties causée par l'usage de pièces modifiées ou par l'addition de pièces supplémentaires.
- Pour demander une réparation sous garantie, s'adresser à un réparateur agréé Toro. Les réparations et le service de garantie peuvent être obtenus chez tous les réparateurs agréés Toro.
- L'entretien ou la réparation sous garantie de pièces intervenant dans le contrôle de la pollution peut se faire au moyen de toute pièce de rechange agréée par le fabricant, sans frais pour le propriétaire. Des pièces de rechange offrant des performances et une endurance équivalente peuvent être utilisées pour l'entretien ou les réparations non couverts par la garantie sans réduire les obligations de garantie du fabricant.
- La garantie antipollution du moteur couvre les composants suivants: filtre à air, carburateur, amorceur, conduites d'alimentation, pompe et filtre d'alimentation, module d'allumage, bougie et silencieux.



Appareils portables
à essence

GARANTIE TORO DE COUVERTURE INTÉGRALE

Une garantie complète
(Garantie limitée pour usage commercial)

Que couvre cette garantie express?

La société Toro s'engage à réparer tout produit TORO à usage privé normal* présentant un défaut de fabrication. La garantie couvre la période ci-dessous, à dater de l'achat:

- Appareils TORO portables à essence, portant le numéro de modèle 51911, 51916, 51918 ou 58452 . . . Garantie complète de 3 ans
- Tous les autres appareils TORO portables à essence Garantie complète de 2 ans

La garantie couvre le coût des pièces et de la main d'oeuvre. Le transport est à charge du client.

*L'usage privé normal désigne l'utilisation de l'appareil dans votre jardin. L'utilisation dans plusieurs jardins est considérée comme un usage commercial, couvert par une garantie limitée.

Produits couverts par la garantie

La présente garantie s'applique à tous les appareils TORO portables à moteur à essence suivants: taille-bordures, soufflantes/aspirateurs, motoculteurs et débroussailleuses. Les autres produits TORO à essence ou électriques font l'objet d'autres garanties.

Usage commercial

Les produits de consommation Toro à usage commercial, utilisés par des établissements ou donnés en location, sont garantis contre tout défaut de fabrication. La garantie couvre la période ci-dessous, à dater de l'achat:

- Appareils TORO portables à essence, à usage commercial Garantie limitée de 45 jours

La réparation par un réparateur agréé Toro est le seul remède offert par cette garantie.

Comment faire intervenir la garantie?

Si votre produit TORO requiert une intervention sous garantie, contactez le vendeur chez qui vous avez acheté votre produit, ou tout autre réparateur agréé TORO Service Dealer ou TORO Master Service Dealer (voir la liste dans les pages jaunes de l'annuaire téléphonique). Le concessionnaire prendra en charge votre produit, ou vous recommandera un autre réparateur agréé plus commode pour vous. Une preuve d'achat (copie de la carte d'enregistrement, facture, etc.) peut être nécessaire pour contrôler la validité de la garantie.

Si pour une raison ou une autre vous n'êtes pas satisfait du diagnostic de votre réparateur concernant le défaut de fabrication, ou pour connaître l'adresse d'un réparateur TORO agréé proche de chez vous, n'hésitez pas à nous contacter à l'adresse suivante:

Toro Customer Service Department
8111 Lyndale Avenue South
Bloomington, MN 55420-1196
612-888-8801
800-237-2654

Garantie de satisfaction de 30 jours

Si pour quelque raison que ce soit, vous n'êtes pas satisfait de votre appareil TORO portable à essence, vous pouvez le ramener là où vous l'avez acheté dans les 30 jours suivant l'achat à usage privé. Le vendeur vous donnera le choix entre un remboursement du prix d'achat initial ou une déduction du montant total à faire valoir sur l'achat de n'importe quel appareil Toro portable à essence similaire. Toutes les dispositions de remboursement ou de déduction doivent passer par le vendeur chez qui vous avez acheté votre appareil Toro portable à essence initial.

Pour ne pas perdre le droit à la garantie

Votre produit TORO doit être entretenu en suivant les instructions du mode d'emploi. Cet entretien de routine, qu'il soit effectué par vous ou par un concessionnaire, est à vos frais.

Ce que la garantie ne couvre pas et Application à la garantie de la législation de votre pays

Il n'y a pas d'autre garantie expresse. Cette garantie expresse ne couvre pas:

- Les coûts de pièces et main d'oeuvre pour l'entretien normal, tels que les filtres, le carburant, les lubrifiants, les pièces de réglage, l'affûtage de lames et/ou le réglage des câbles et de la tringlerie.
- Les produits ou pièces ayant subi des modifications ou un usage abusif, ou nécessitant un remplacement ou une réparation en raison d'accidents ou d'un défaut d'entretien.
- Les réparations requises en raison de l'usage d'un carburant incorrect, de l'introduction d'impuretés dans le système d'alimentation, ou d'une négligence de la préparation requise du système d'alimentation avant une période d'inutilisation de plus de trois mois.
- Les frais de transport.

Toutes les réparations couvertes par la présente garantie doivent être effectuées par un réparateur TORO agréé, à l'aide de pièces de rechange agréées par Toro.

La société Toro décline toute responsabilité en cas de dommages secondaires ou indirects liés à l'utilisation des produits TORO couverts par cette garantie, notamment quant aux coûts et dépenses encourus pour se procurer un équipement ou un service de substitution durant une période raisonnable pour cause de défaillance ou d'indisponibilité en attendant la réparation sous garantie. L'exclusion de la garantie des dommages secondaires ou indirects n'est pas autorisée dans certains pays, et peut donc ne pas s'appliquer dans votre cas.

Cette garantie présente vos droits spécifiques, mais vous bénéficiez peut-être d'autres droits qui varient selon les états.

AUTRES PAYS QUE LES ÉTATS-UNIS ET LE CANADA

Pour les produits TORO exportés des États-Unis ou du Canada, demandez à votre distributeur (concessionnaire) TORO la police de garantie applicable dans votre pays ou région. Si pour une raison quelconque, vous n'êtes pas satisfait des services de votre distributeur, ou si vous avez du mal à vous procurer les informations de garantie, adressez-vous à l'importateur TORO. En dernier recours, adressez-vous à la société Toro.