



Count on it.

Parts Catalog

18in 11-Blade EdgeSeries Cutting Unit

Greensmaster® Flex™/eFlex® 1820 Traction Unit

Model No. 04289—Serial No. 316000001 and Up



Ordering Replacement Parts

To order replacement parts, please supply the part number, the quantity, and the description of each part desired.

Understanding Reference Numbers

Each identified part in an illustration has a reference number. The reference number for a part also appears in the parts list, along with other information about the part.

This catalog uses two special reference number formats, one to indicate parts in a service assembly and another to indicate the quantity of a given part in an illustration.

Service Assembly Reference Numbers

Parts in service assemblies have reference numbers in the form a:b. The a represents the reference number of the entire service assembly and the b represents a sequential number unique to each part within the service assembly.

For example, a wheel assembly might be identified by reference number 6, the tire by 6:1, the valve by 6:2, and the wheel by 6:3. When you order the assembly identified by reference number 6, you receive all parts identified by reference numbers 6:1, 6:2, and 6:3. However, you may also order any part individually. Reference numbers of this type appear in illustration and in parts lists.

Reference Numbers Indicating Quantity

In an illustration, if a reference number indicates more than one part, the reference number has the form nX y. The n represents the quantity of the part, the X is the multiplication symbol, and the y represents the reference number.

For example, in an illustration, the reference number 2X 37 means that two of the parts identified by reference number 37 are indicated.

List of Abbreviations

AR: as required

ASM: assembly

BBC: blade brake control

BHTF: button head thread forming

CARR: carriage

CCW: counter clockwise

CW: clockwise

DEG: degrees

DPA: Dual Point Adjustment

ECM: electronic control module

EXT: external

FH: flat head

GA: gauge

HD: heavy-duty

HF: hex flange

HH: hex head

HHF: hex head flange

HHFTF: hex head flange thread forming

HJ: hex jam

HLH: hex lag head

HOC: height-of-cut

HP: high pressure

HSBH: hex socket button head

HSFH: hex socket flat head

HSH: hex socket head

HWH: hex washer head

HWHTF: hex washer head thread forming

HYD: hydraulic

LH: left hand

LP: low pressure

LPG: Liquefied Petroleum Gas

NI: nylon insert

NPTF: national pipe thread fine

PFH: phillips flat head

PPH: phillips pan head

PPHTF: phillips pan head thread forming

PRH: phillips round head

PTH: phillips truss head

PTO: power-take-off

RH: right hand

ROPS: roll-over protection system

RRB: rear roller brush

SFH: slotted fillister head

SHH: slotted hex head

SHWH: slotted hex washer head

SPH: slotted pan head

SQH: square head

SRH: slotted round head

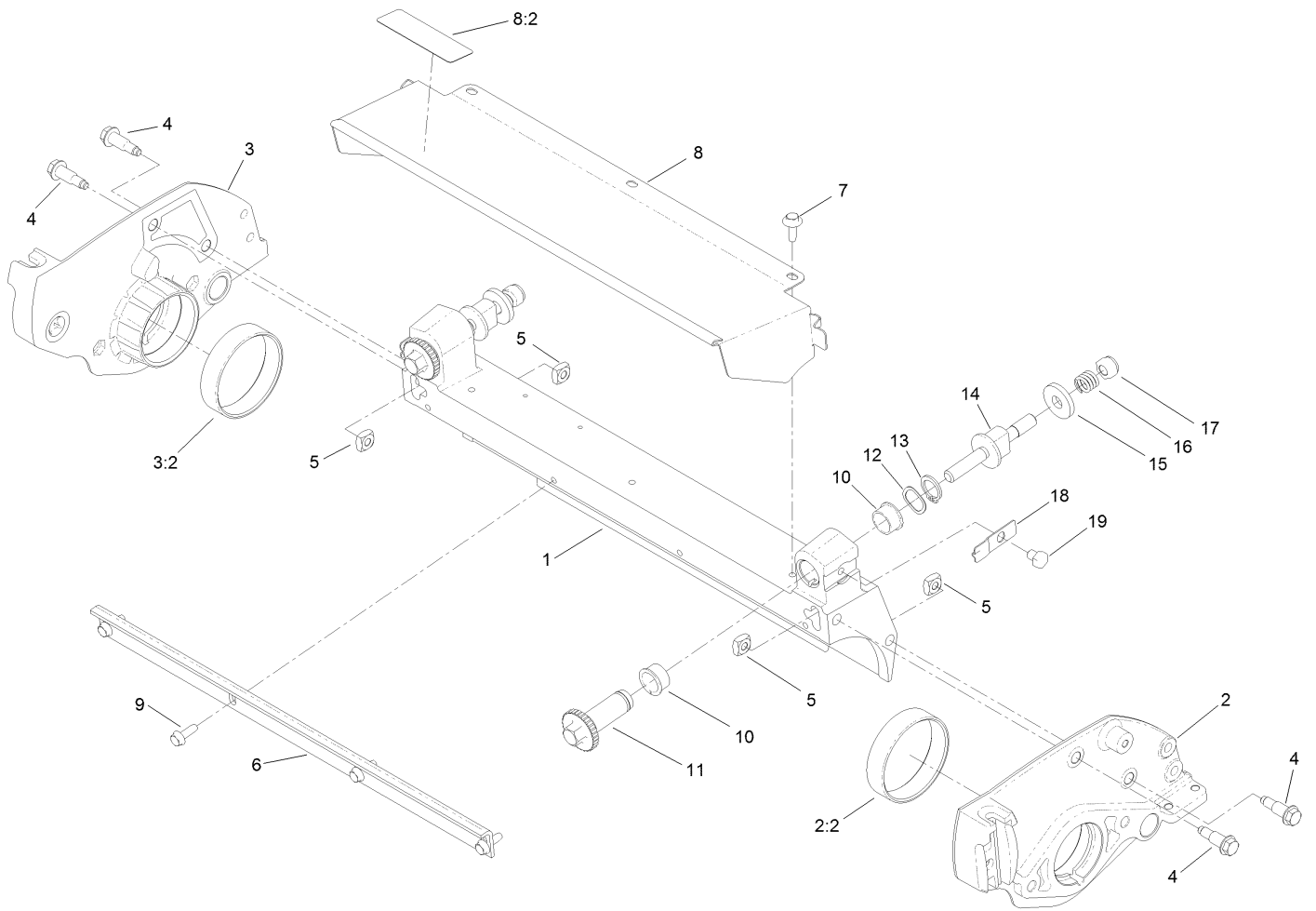
STD: standard

TAP: self tapping

TTH: torx truss head

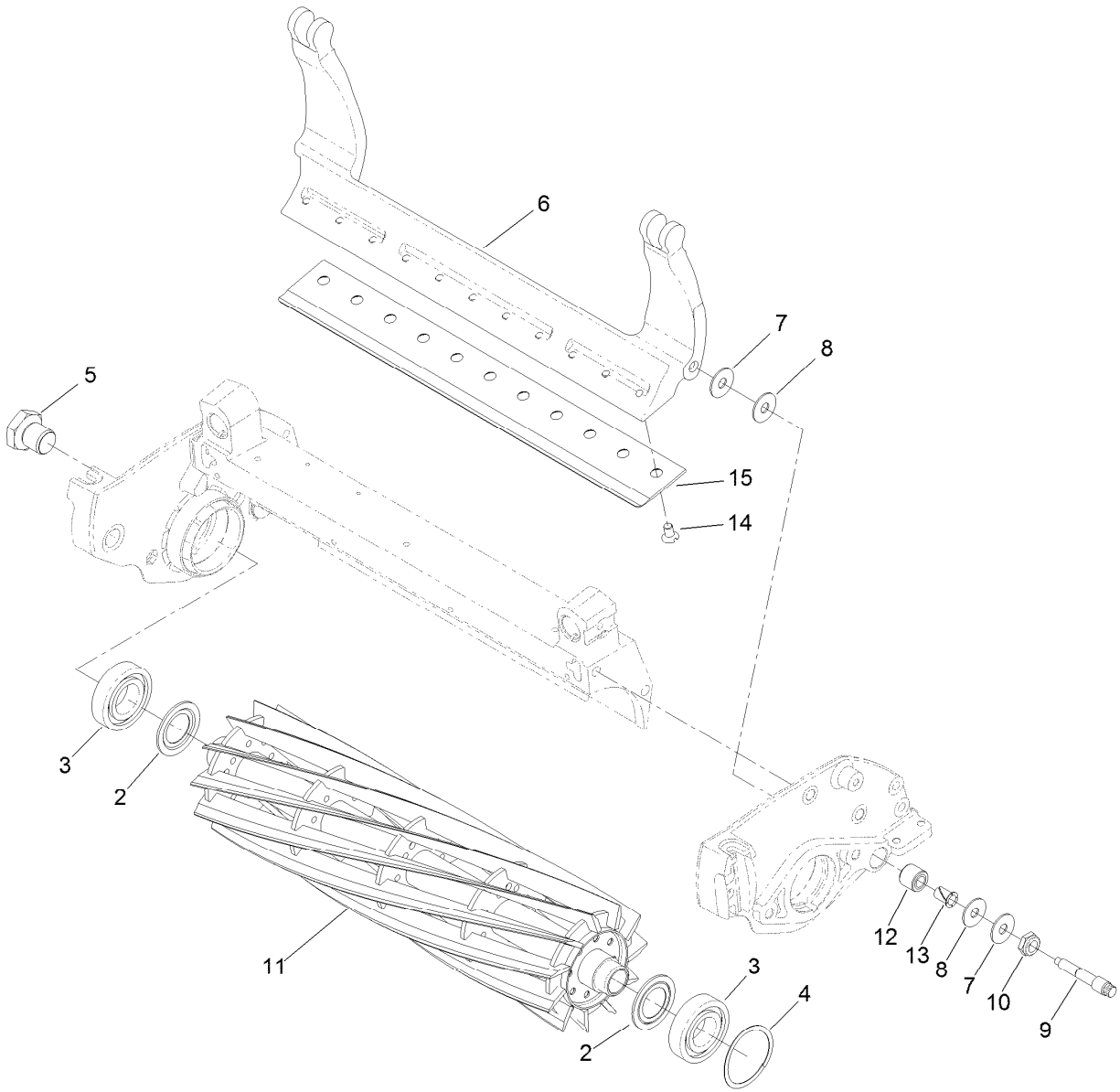
Contents

Frame Assembly.....	4
Reel and Bedknife Assembly	5
Roller Assembly	6
Full Roller Assembly No. 120-9606.....	7
Drive Assembly.....	8
Pitch Arm and Weight Assembly	9
Attachments and Accessories	10



Frame Assembly

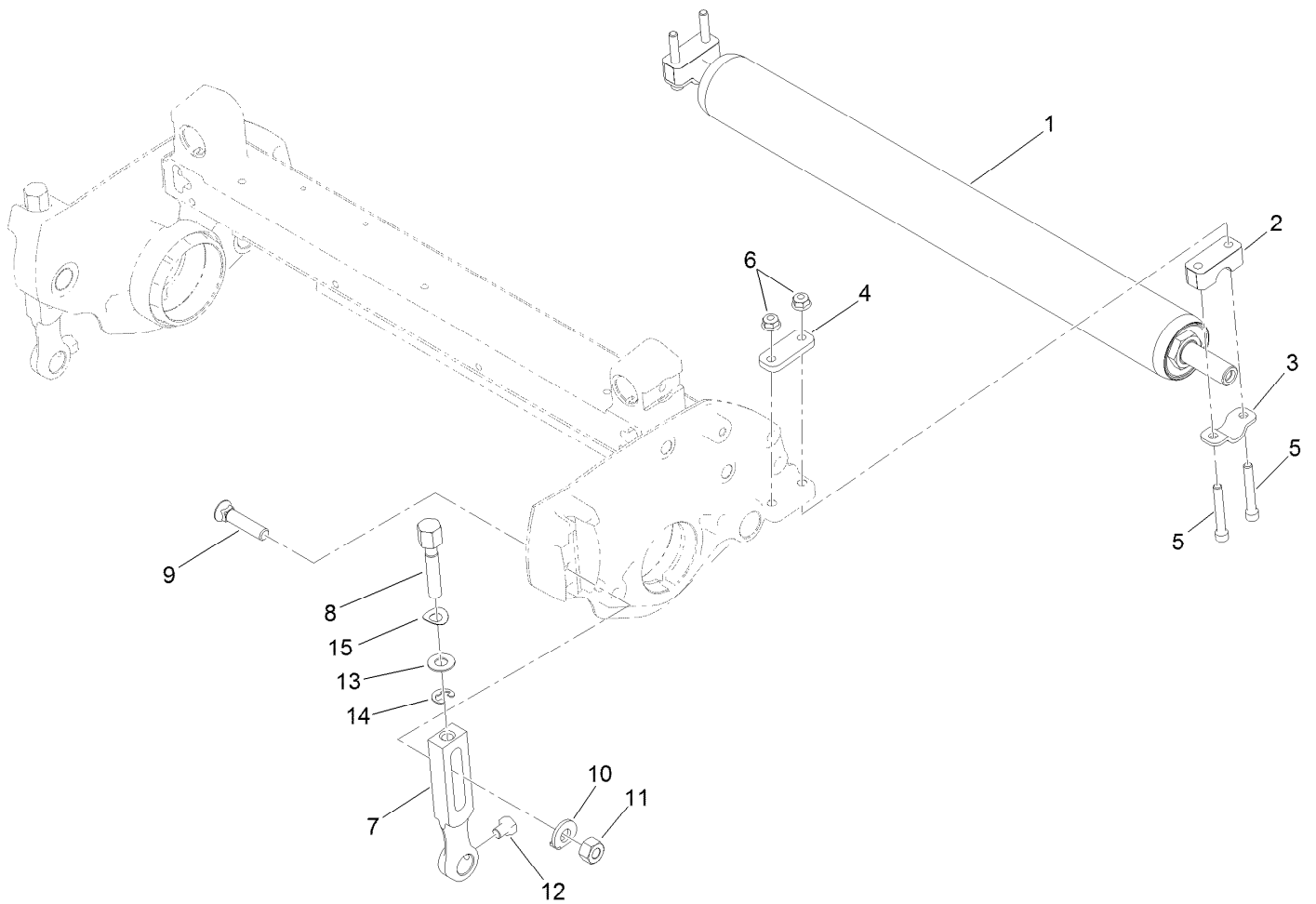
Ref.	Part Number	Qty.	Description	Ref.	Part Number	Qty.	Description
1	119-4009	1	Crossmember	9	131-6150	4	Screw-HWHTF
2	119-4005	1	LH Sideplate ASM	10	106-5344	4	Bushing-Flange, Keyed
2:2	117-6619	1	Bushing	11	106-5363	2	Shaft-Adjuster
3	119-4007	1	RH Sideplate ASM	12	119-4164	2	Washer-Wave
3:2	117-6619	1	Bushing	13	32120-93	2	Ring-Retaining
4	115-7042	4	Bolt-Shoulder, Flange	14	115-7039	2	Screw-Adjuster, Bedbar
5	119-4054	4	Nut-Square	15	119-4155	2	Washer-Hardened
6	119-4066-03	1	Bar-Cutoff	16	119-4156	2	Spring-Compression
7	119-4012	3	Screw-HWHTF	17	119-4039	2	Nut-Hex, NI
8	119-4094	1	Grass Shield ASM	18	99-2097	2	Detent
8:2	104-7729	1	Decal-Danger, Ce	19	119-4067	2	Screw-HH



Reel and Bedknife Assembly

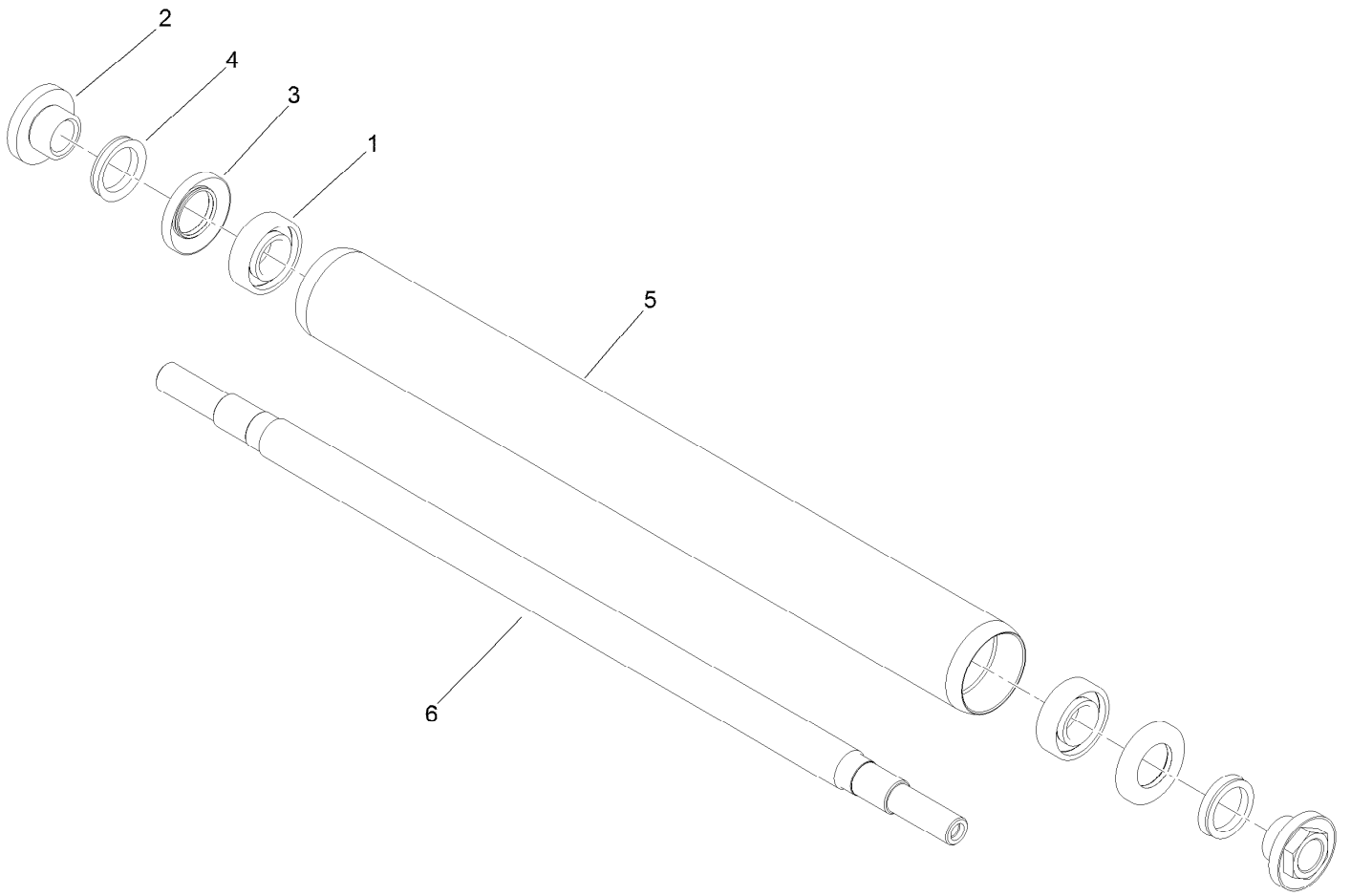
<i>Ref.</i>	<i>Part Number</i>	<i>Qty.</i>	<i>Description</i>	<i>Ref.</i>	<i>Part Number</i>	<i>Qty.</i>	<i>Description</i>
2	115-3299	2	Seal-Flocked	12	119-4153	2	Rubber Bushing ASM
3	115-3296	2	Bearing-Sealed	13	52-2890	2	Bushing-Nylon
4	115-5258	1	Spring-Wire, Flat	14	119-4151	11	Screw-Bedknife
5	115-7263	1	Screw-Lock, Bearing	15	110-2300	1	Bedknife-Microcut, Extended ●
6	110-2281-03	1	Bedbar-Aggressive ●	15	110-2301	1	Bedknife-Low Cut ●
6	110-2282-01	1	Bedbar	15	117-1530	1	Bedknife-Edgemax, Microcut
7	119-4150	4	Washer-Flat	15	117-1532	1	Bedknife-Edgemax, Tournament ●
8	52-2900	4	Washer-Plastic	15	98-7260	1	Bedknife-Tournament Cut ●
9	117-9493	2	Bolt-Bedbar	15	98-7261	1	Bedknife-Microcut ●
10	119-4154	2	Nut-Lock, NI				
11	132-7357	1	E S 18 Inch 11 Blade Low Drag Reel ASM				
11	132-7358	1	E S 18 Inch 14 Blade Low Drag Reel ASM (Optional Equipment)				

● Optional Equipment



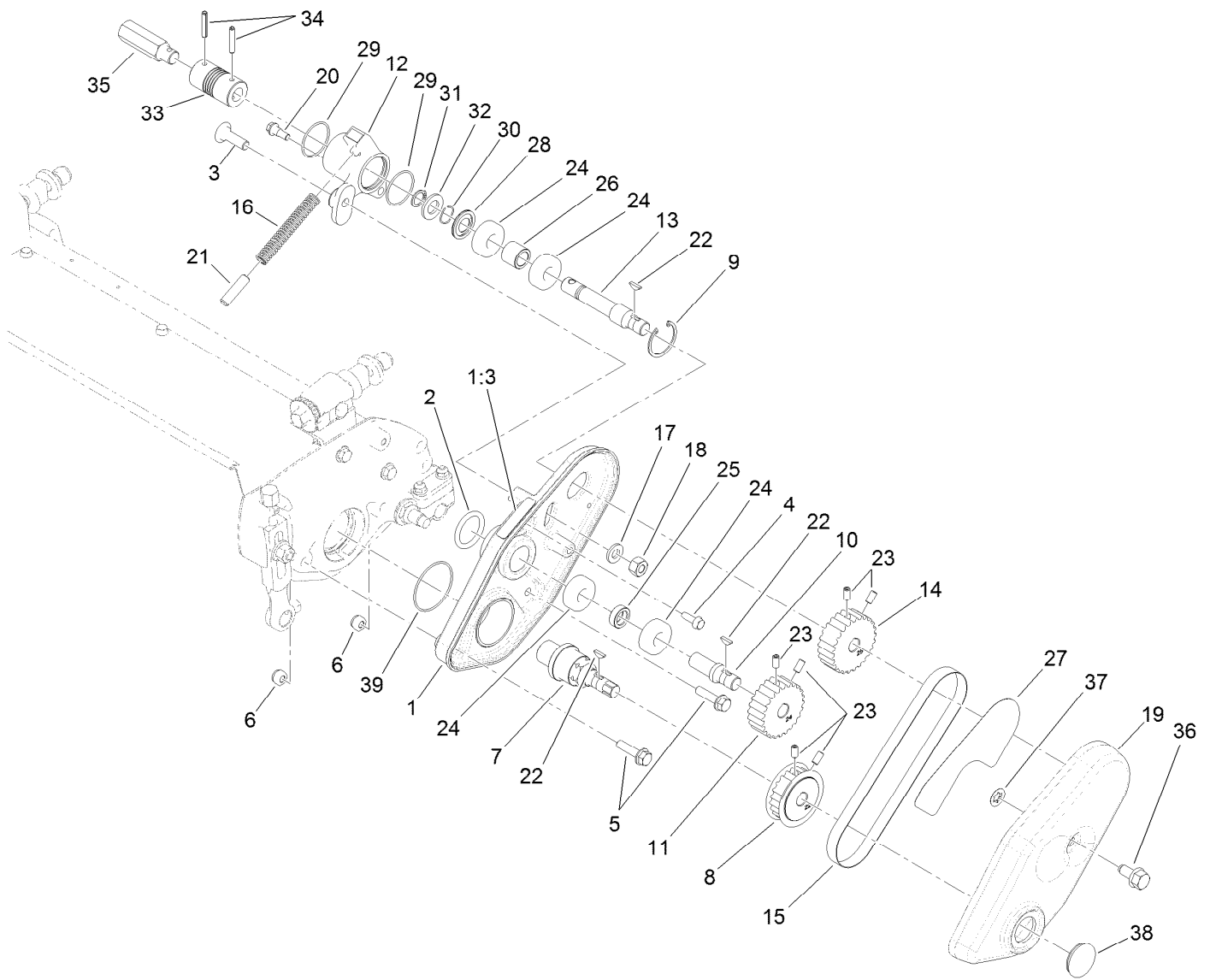
Roller Assembly

<i>Ref.</i>	<i>Part Number</i>	<i>Qty.</i>	<i>Description</i>
1	120-9606	1	Full Roller ASM
2	119-4166	2	Spacer-Height, Roller
3	119-4157	2	Retainer-Shaft
4	119-4165	2	Shim-Height, Roller
5	119-4035	4	Screw-HSH
6	119-4040	4	Nut-Flange, NI
7	115-7041	2	Arm-HOC
8	132-4586	2	Screw-HOC
9	99-3773	2	Bolt-Plow
10	119-4158	2	Washer-HOC
11	115-7193	2	Nut-HOC
12	119-4067	2	Screw-HH
13	132-4593	4	Washer
14	1891	2	E-Ring
15	121-4605	2	Washer-Spring



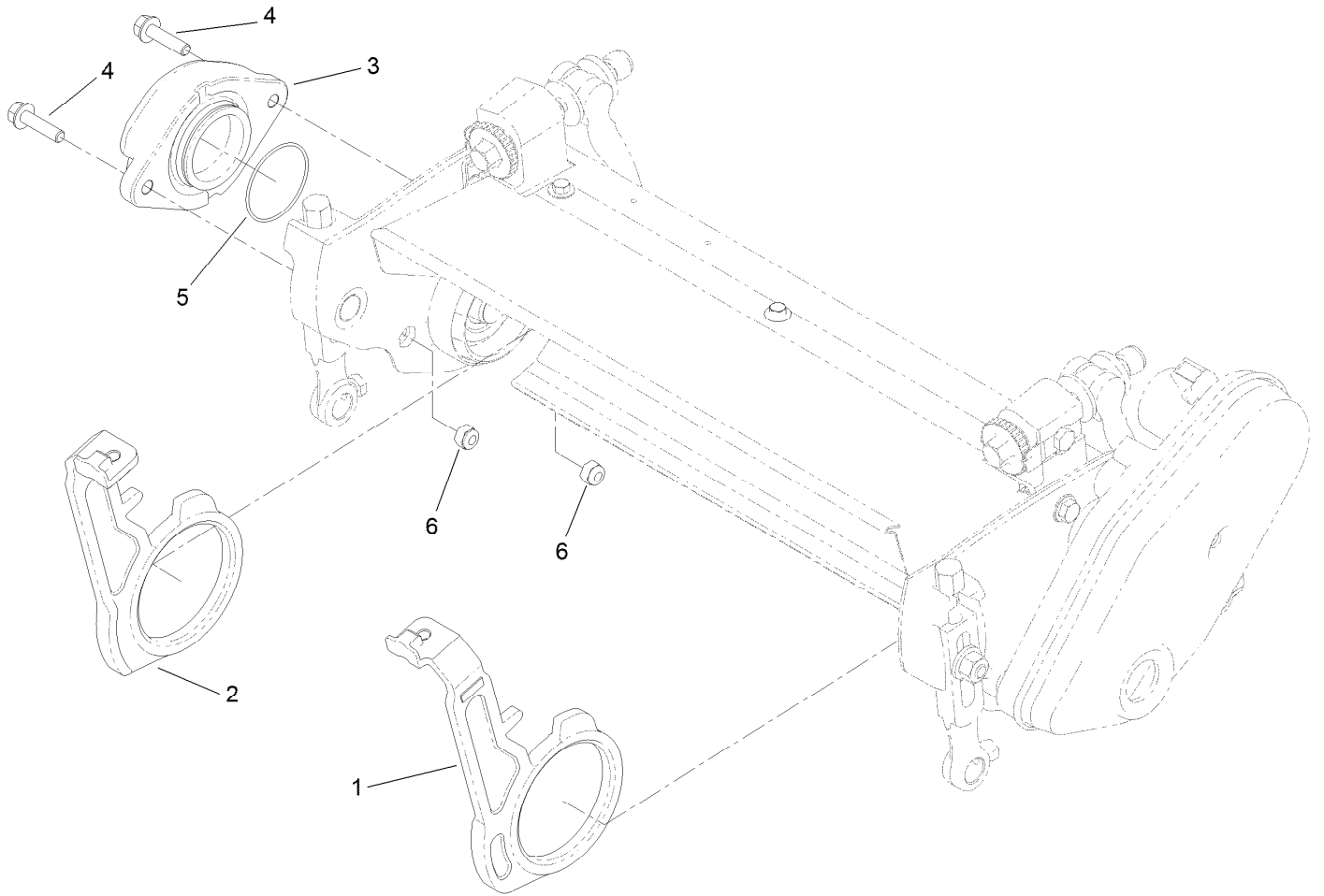
Full Roller Assembly No. 120-9606

<i>Ref.</i>	<i>Part Number</i>	<i>Qty.</i>	<i>Description</i>
1	251-347	2	Bearing-Ball
2	106-6939	2	Nut-Lock, Bearing
3	106-6941	2	Seal
4	106-6942	2	V-Ring
5	110-2220	1	Roller-Full, 2 Inch Diameter
6	119-4079	1	Shaft-Roller



Drive Assembly

Ref.	Part Number	Qty.	Description	Ref.	Part Number	Qty.	Description
1	119-4032	1	Reel Housing ASM	20	119-4161	1	Bolt-Shoulder
1:3	120-9570	1	Decal-Warning	21	115-7279	1	Pin-Guide, Spring
2	119-4077	1	O-Ring	22	937218	3	Key-Hipro
3	119-4162	1	Screw-CARR	23	3245-9	6	Screw-Set, HSH
4	131-6150	1	Screw-HWHTF	24	115-6869	4	Bearing-Ball, Stainless
5	119-4036	2	Screw-HHF	25	121-4658	1	Spacer
6	119-4038	2	Nut-Hex, NI	26	119-4076	1	Spacer-Bearing
7	120-9707	1	Shaft-Drive, Reel	27	131-1820	1	Decal-Clip
8	121-4722	1	Pulley-Reel, 22 Tooth	28	115-6923	1	Shield-Bearing, Flocked
9	32151-34	1	Ring-Retaining	29	107-9455	2	O-Ring
10	120-9706	1	Shaft-Idler, Reel	30	115-7143	1	Spring-Wave
11	121-4724	1	Pulley-Reel, 24 Tooth	31	115-6755	1	Ring-Retaining
12	132-6998	1	Housing-Bearing	32	115-7144	1	Washer-Flat
13	131-3173	1	Shaft-Input, Reel	33	131-3174	1	Coupling-Helical
14	121-4725	1	Pulley-Reel, 25 Tooth	34	125-3542	2	Pin-Spring
15	99-2022	1	Belt	35	131-3168	1	Shaft-Hex, Reel
16	115-6881	1	Spring-Compression	36	115-7108	1	Screw-HHF
17	115-7293	1	Washer-Hardened	37	107-3154	1	Nut-Push
18	115-7193	1	Nut-HOC	38	115-7288	1	Plug
19	119-4163	1	Cover-Reel	39	360-0398	1	O-Ring



Pitch Arm and Weight Assembly

<i>Ref.</i>	<i>Part Number</i>	<i>Qty.</i>	<i>Description</i>
1	133-8750-01	1	Arm-Pitch LH
2	133-8751-01	1	Arm-Pitch RH
3	119-4052-03	1	Weight-Unit, Cutting
4	119-4036	2	Screw-HHF
5	360-0398	1	O-Ring
6	119-4038	2	Nut-Hex, NI

Attachments and Accessories

For 04289 18in 11-Blade EdgeSeries Cutting Unit Greensmaster Flex/eFlex 1820 Traction Unit

Product Name	Model/Part
Narrow Wiehle Roller Kit.....	120-9607
Wide Wiehle Roller Kit.....	120-9609
Full 2.5in Diameter Roller Kit.....	120-9611
Extended Full Roller ASM.....	121-4680
Extended Narrow Wiehle Roller ASM.....	121-4681
Front Scraper Kit for Narrow Wiehle Roller.....	120-9615
Front Scraper Kit for Wide Wiehle Roller.....	120-9616
Front Scraper Kit for Full Roller.....	120-9617
Front Brush Kit for Narrow Wiehle Roller.....	120-9621
Front Brush Kit for Wide Wiehle Roller.....	120-9622
Front Brush Kit for Full Roller.....	120-9623
Front Comb Kit for Narrow Wiehle Roller.....	120-9624
Front Comb Kit for Wide Wiehle Roller.....	120-9625
Front Comb Kit for Full Roller.....	120-9626
Full 2.0in Diameter Roller Kit.....	120-9605
Steel Rear Roller ASM.....	121-4682
Rear Roller Scraper Kit with Roller.....	120-9627
Flex Groomer Drive, Forward Rotating.....	04259
Flex Groomer Drive, Counter Rotating.....	04260
18in Carbide Grooming Reel.....	04263
18in Grooming Brush.....	04264
Toro Reel Paper (10 Pack).....	125-5610
18in Soft Grooming Brush Kit.....	127-1545
18in Stiff Grooming Brush Kit.....	127-1546
Toro Reel Shim (0.002in).....	125-5611
Roller Extension Kit.....	115-7361
High Height-of-Cut Arms (Qty 1).....	120-9600
Rear Roller Adjustment (Qty 1).....	120-9602
Groomer Quick Up Kit.....	127-6119
Bedbar-Aggressive.....	110-2281-03
Bedbar.....	110-2282-01
Bedknife-Microcut, Extended.....	110-2300
Bedknife-Low Cut.....	110-2301
Bedknife-Edgemax, Microcut.....	117-1530
Bedknife-EdgeMax, Tournament.....	117-1532
Bedknife-Tournament.....	98-7260
Bedknife-Microcut.....	98-7261
18 Inch 11 Blade Low Drag Reel ASM.....	132-7357
18 Inch 14 Blade Low Drag Reel ASM.....	132-7358
Blade-Groomer, Helix.....	110-2333
Blade-Groomer, Thin (Carbide).....	121-9531
Out-Front Brush Kit.....	04266
Roller Seal Replacement (Qty 1).....	107-1594
MVP Kit, Cutting Unit Re-Build.....	121-2637
MVP Kit, Forward Rotating Groomer Re-Build.....	121-9517

Attachments and Accessories (continued)

Turf Evaluator 04399
Height-of-Cut Bar..... 94-9010



Count on it.