


|  |  |      |          |                       |                  |       |               |
|--|--|------|----------|-----------------------|------------------|-------|---------------|
| Document No:   | <b>380-0058</b>                            | Rev: | <b>E</b> | Issue Date :          | <b>8/31/2015</b> | Page: | <b>1 of 2</b> |
| Title:   | <b>SERVICE PAGE, NETWORK VP SAT SERIES</b> |      |          | Originator :          | Noel Macasias    |       |               |
| Confidential Property of<br><br>Riverside, California | Approx Weight:                             | 70   | grams    | Originating Location: | Riverside        |       |               |
|  | Similar To:                                |      |          |                       | Supersedes:      |       |               |
| Release/Change Authorization Number:   | 5106270                                    |      |          |                       |                  |       |               |

W = 8.5", L = 11", H = 0.03" wt = 0.06 lbs

This is a placeholder page.

**See subsequent pages for**  
**original PDF**

| REVISION SHEET |         |   |                   |         |             |
|----------------|---------|---|-------------------|---------|-------------|
| Rev.           | ECM No. | Description of Change                   | Drafter           | Date    | Approved By |
| A              | 5074204 | Release to revision A for production    | Richard Keightley | 5/17/12 | John Fuller |
| B              | 5076167 | Update Parts listing, Release to rev. B | Noel Macasias     | 9/20/12 | John Fuller |
| C              | 5080395 | Add VPe Parts, Release to rev. C        | Noel Macasias     | 2/27/13 | John Fuller |
| D              | 5092870 | Include Service Kits, Release to rev. D | Noel Macasias     | 6/6/14  | John Fuller |
| E              | 5106270 | Update Part Numbers, Release to rev. E  | Noel Macasias     | 8/31/15 | John Fuller |
|                |         |   |                   |         |             |
|                |         |   |                   |         |             |
|                |         |   |                   |         |             |



**Count on it.**

**Parts Catalog**

**Network VP<sup>®</sup> and VPe Satellite**

Model No. Network VP and VPe



# Ordering Replacement Parts

To order replacement parts, please supply the part number, the quantity, and the description of each part desired.

## Understanding Reference Numbers

Each identified part in an illustration has a reference number. The reference number for a part also appears in the parts list, along with other information about the part.

This catalog uses two special reference number formats, one to indicate parts in a service assembly and another to indicate the quantity of a given part in an illustration.

## Service Assembly Reference Numbers

Parts in service assemblies have reference numbers in the form a:b. The a represents the reference number of the entire service assembly and the b represents a sequential number unique to each part within the service assembly.

For example, a wheel assembly might be identified by reference number 6, the tire by 6:1, the valve by 6:2, and the wheel by 6:3. When you order the assembly identified by reference number 6, you receive all parts identified by reference numbers 6:1, 6:2, and 6:3. However, you may also order any part individually. Reference numbers of this type appear in illustration and in parts lists.

## Reference Numbers Indicating Quantity

In an illustration, if a reference number indicates more than one part, the reference number has the form nX y. The n represents the quantity of the part, the X is the multiplication symbol, and the y represents the reference number.

For example, in an illustration, the reference number 2X 37 means that two of the parts identified by reference number 37 are indicated.

# List of Abbreviations

**AR:** as required

**ASM:** assembly

**BBC:** blade brake control

**BHTF:** button head thread forming

**CARR:** carriage

**CCW:** counter clockwise

**CW:** clockwise

**DEG:** degrees

**DPA:** Dual Point Adjustment

**ECM:** electronic control module

**EXT:** external

**FH:** flat head

**GA:** gauge

**HD:** heavy-duty

**HF:** hex flange

**HH:** hex head

**HHF:** hex head flange

**HHFTF:** hex head flange thread forming

**HJ:** hex jam

**HLH:** hex lag head

**HOC:** height-of-cut

**HP:** high pressure

**HSBH:** hex socket button head

**HSFH:** hex socket flat head

**HSH:** hex socket head

**HWH:** hex washer head

**HWHTF:** hex washer head thread forming

**HYD:** hydraulic

**LH:** left hand

**LP:** low pressure

**LPG:** Liquefied Petroleum Gas

**NI:** nylon insert

**NPTF:** national pipe thread fine

**PFH:** phillips flat head

**PPH:** phillips pan head

**PPHTF:** phillips pan head thread forming

**PRH:** phillips round head

**PTH:** phillips truss head

**PTO:** power-take-off

**RH:** right hand

**ROPS:** roll-over protection system

**RRB:** rear roller brush

**SFH:** slotted fillister head

**SHH:** slotted hex head

**SHWH:** slotted hex washer head

**SPH:** slotted pan head

**SQH:** square head

**SRH:** slotted round head

**STD:** standard

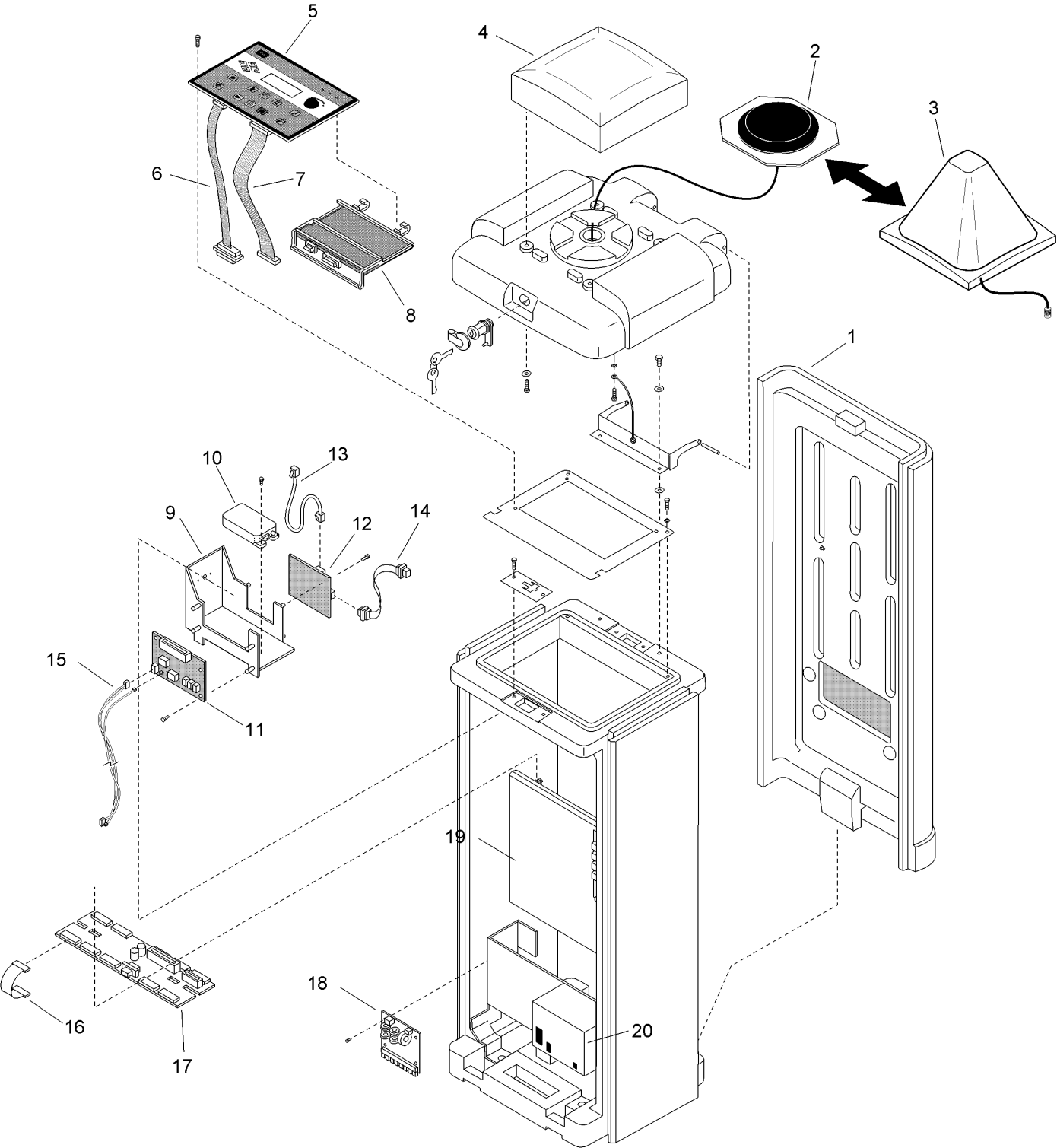
**TAP:** self tapping

**TTH:** torx truss head

# Contents

- Network VP and VPE - Plastic Cabinet ..... 4
- Network VP and VPe - 2013 and Later ..... 6
- Network VP and VPE - Internal Components ..... 8
- Network VP and VPE - Power Supply ..... 10

# Network VP and VPE - Plastic Cabinet



## Network VP and VPE - Plastic Cabinet (continued)

| <i>Ref.</i> | <i>Part Number</i> | <i>Qty.</i> | <i>Description</i>   | <i>Ref.</i> | <i>Part Number</i> | <i>Qty.</i> | <i>Description</i>  |
|-------------|--------------------|-------------|--|-------------|--------------------|-------------|---|
| 1           |                    | 1           | Satellite Plastic Pedestal & Components (See Plastic Cabinet Components Section) ◆ | 12          | 102-3125SK         | 1           | Radio Interface Board ○ ▲   |
| 2           |                    | 1           | Antenna Assy., Plastic Pedestal (See Service Item 102-6808) ◆                      | 13          | 363-3619SK         | 1           | Rj-45 Cable Assy. ○ ▲   |
| 3           |                    | 1           | Dome Antenna Assy., Plastic Pedestal ◆   | 14          | 102-3257SK         | 1           | Db-9 Cable Assy. ○ ▲  |
| 4           |                    | 1           | Cover, Satellite Lid (See Plastic Cabinet Components Section) ◆                    | 15          |                    |             | Cable Assy., Modem To Surge Board ◆ ▲   |
| 5           | 102-3497SK         | 1           | Timing Mechanism (Tm), Vp Satellite  | 16          | 102-0670           |             | Ribbon Cable, Distribution To Output, 4" Length □                             |
| 5           | 102-9738SK         | 1           | Timing Mechanism, Vpe Satellite  | 17          | 102-2782SK         | 1           | Distribution Board  |
| 6           | 102-4573SK         | 1           | Cable Assy., Tm To Modem   | 17          | 102-9124SK         | 1           | Ltc+ To Vp Conversion Kit   |
| 7           | 102-3030SK         | 1           | Cable Assy., Tm To Distribution, 12"   | 18          | 102-8086SK         | 1           | Pcb Assy. Surge Board □   |
| 8           | 89-9026            | 1           | Standard Modem, Svc.   | 19          |                    |             | Vp And Vpe Internal Components (See Vp And Vpe Internal Components Section) ◆ |
| 9           |                    | 1           | Bracket, Radio Assy. ◆ ▲   | 20          |                    | 1           | Power Supply Assy. (See Power Supply Assy. Section) ◆                         |
| 10          | 363-4638SK         | 1           | Maxon Radio ▲  |             | 363-4185SK         |             | Battery, Vp Back-Up, Service ● ■  |
| 11          | 89-7701            | 1           | Modem Assy., Universal, Service ○ ▲  |             | 89-9044            |             | Cable Assy. Svc., Surge To Modem & Surge To Terminal Block ● ■                |
|             |                    |             |  |             | 102-6808           |             | Kit, Service, Antenna Assy., Plastic Pedestal ● ■                             |

● SERVICE ITEMS

▲ UHF Models Only

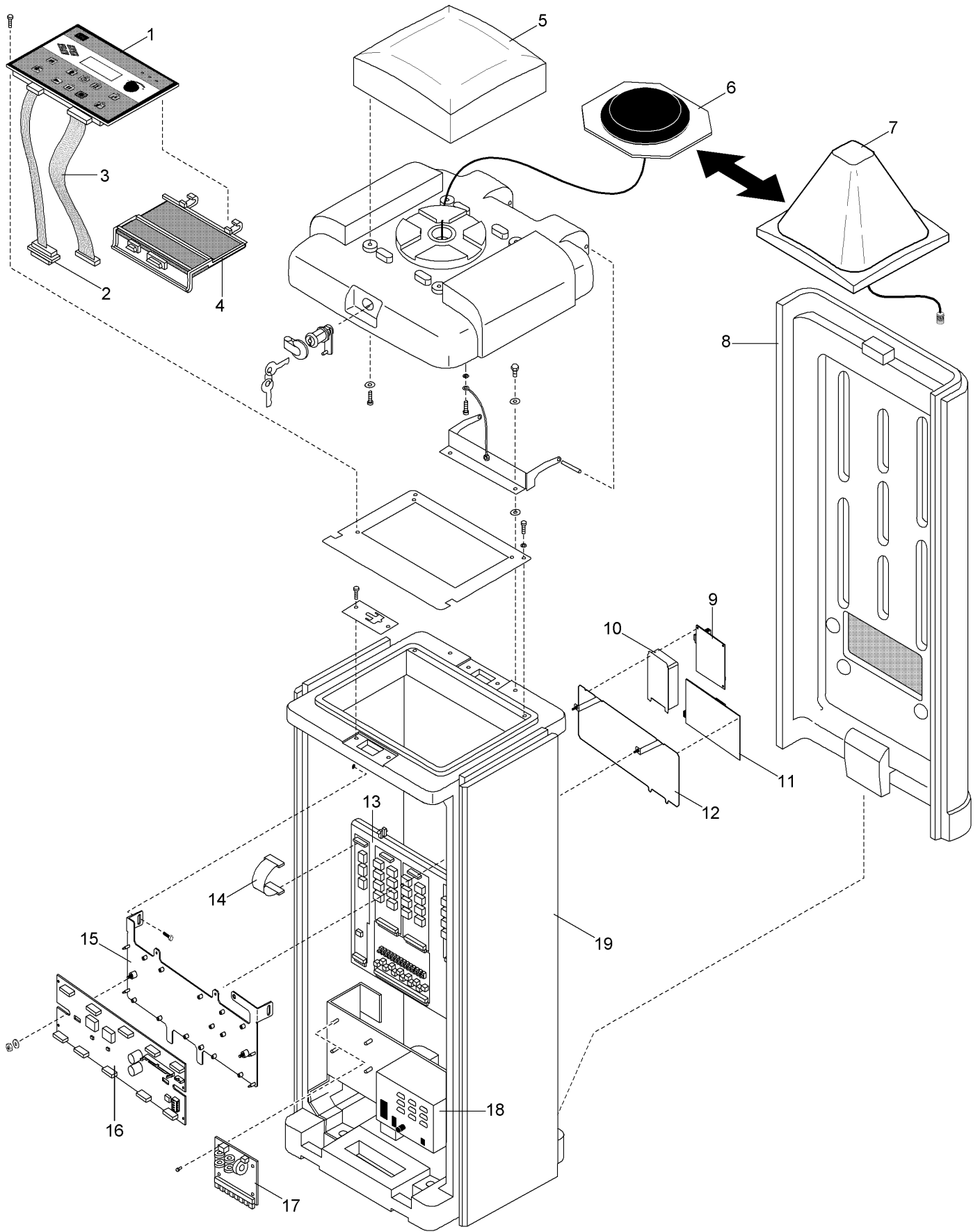
□ Quantity Varies With Model

○ Order Through Finished Goods Distribution System - Minneapolis

■ Not illustrated

◆ Not serviced separately

# Network VP and VPe - 2013 and Later

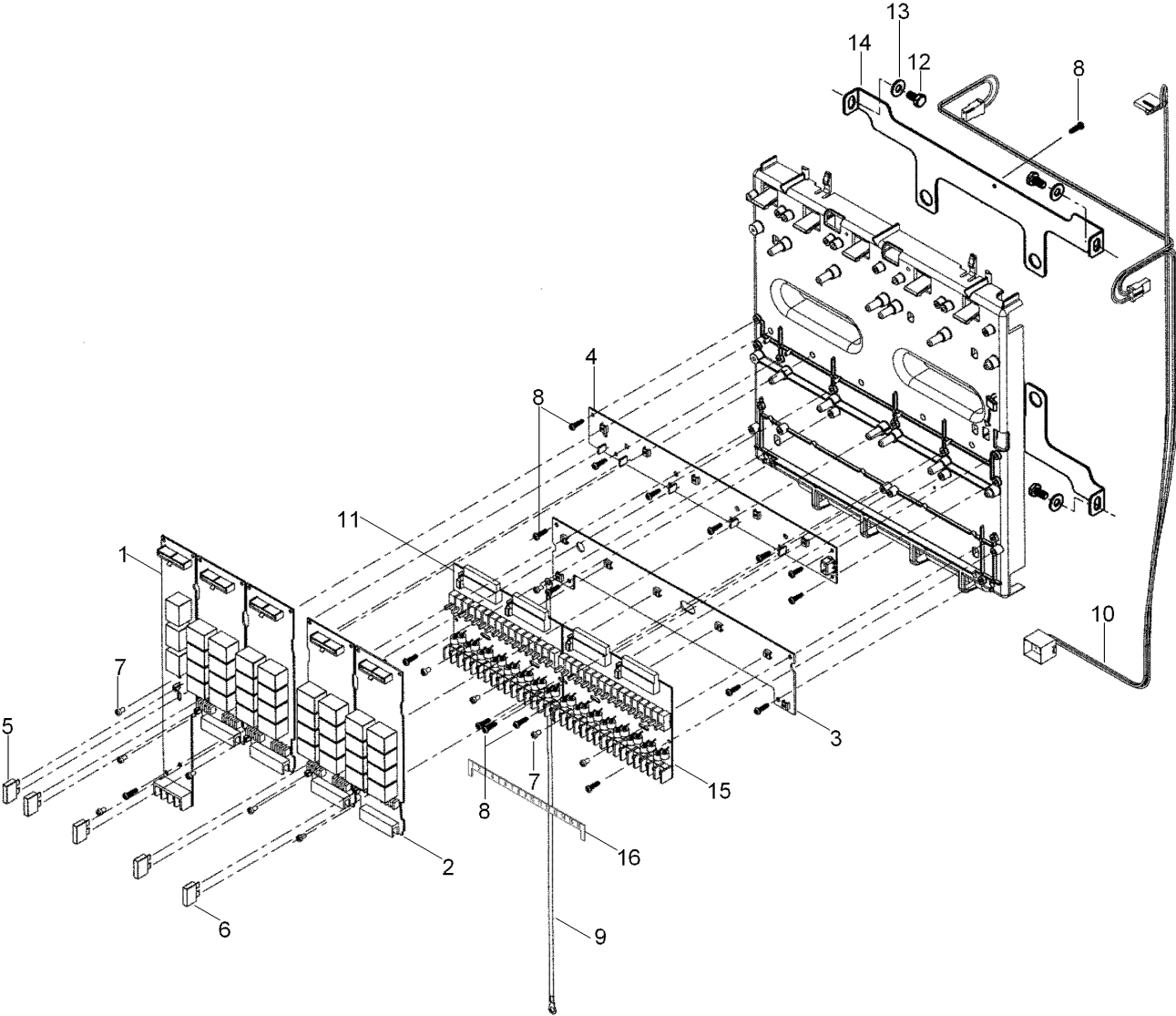


## Network VP and VPe - 2013 and Later (continued)

| <i>Ref.</i> | <i>Part Number</i> | <i>Qty.</i> | <i>Description</i>   | <i>Ref.</i> | <i>Part Number</i> | <i>Qty.</i> | <i>Description</i>   |
|-------------|--------------------|-------------|--|-------------|--------------------|-------------|--|
| 1           | 102-3497SK         | 1           | Timing Mechanism (Tm), Vp Satellite  | 12          | 118-1938SK         | 1           | Bracket, Radio, Vertical   |
| 2           | 102-4573SK         | 1           | Cable Assy., Tm To Modem   | 13          |                    | 1           | Vp Internal Components (See Vp Internal Components Section) ●  |
| 3           | 102-3030SK         | 1           | Cable Assy., Tm To Distribution, 12"   | 14          | 102-0670           | 5           | Ribbon Cable, Distribution To Output, 4" Length  |
| 4           | 89-9026            | 1           | Standard Modem, Svc.   | 14          | 118-2736           | 5           | Ribbon Cable, Distribution To Output, 12" Length   |
| 4           | 364-1003           | 1           | Cable Assy., Tm To Distribution, 18"   | 15          | 118-1937SK         | 1           | Bracket, Power Distribution Board, Vertical  |
| 5           |                    | 1           | Cover, Satellite Lid (See Golf Controller Plastic Pedestal Cabinet Components Section) ●                     | 16          | 118-2737SK         | 1           | Power Distribution Board, Straight Connectors  |
| 6           | 102-6808           | 1           | Kit, Service, Antenna Assy., Plastic Pedestal  | 17          | 102-8086SK         | 1           | Pcb Assy. Surge Board  |
| 7           |                    | 1           | Dome Antenna Assy., Plastic Pedestal ●   | 18          |                    | 1           | Power Supply Assy. (See Power Supply Assembly Section) ●   |
| 8           |                    | 1           | Satellite Plastic Pedestal & Components (See Golf Controller, Plastic Pedestal Cabinet Components Section) ● | 19          |                    | 1           | Satellite Plastic Pedestal & Components (See Golf Controller, Plastic Pedestal Cabinet Components Section) ● |
| 9           | 102-3125SK         | 1           | Radio Interface Board  |             |                    |             |  |
| 10          | 363-4638SK         | 1           | Maxon Radio  |             |                    |             |  |
| 11          | 89-7701            | 1           | Modem Assy., Universal, Service  |             |                    |             |  |

● Not serviced separately

# Network VP and VPE - Internal Components



## Network VP and VPE - Internal Components (continued)

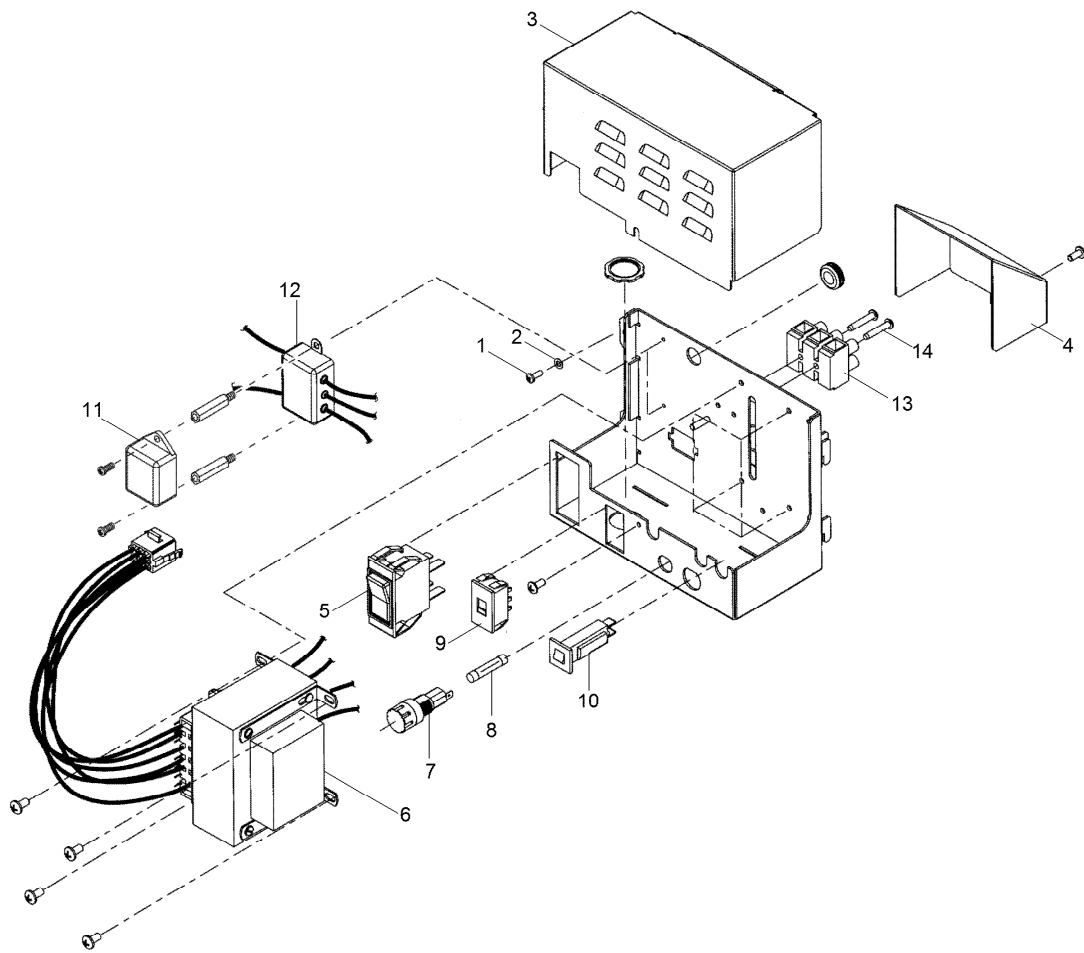
| <i>Ref.</i> | <i>Part Number</i> | <i>Qty.</i> | <i>Description</i>   | <i>Ref.</i> | <i>Part Number</i> | <i>Qty.</i> | <i>Description</i>  |
|-------------|--------------------|-------------|--|-------------|--------------------|-------------|---|
| 1           | 102-3015SK         | 1           | Pump/Common Module Assy. (Includes Items 5, 7 And 102-0670 Ribbon Cable)           | 11          | 102-0639           |             | 16-Station Module Assy. (M1 Surge Upgrade) (Includes Items 7 And 8) ▲ ◆ |
| 2           | 102-0654           |             | Output Module Assy., 8-Station (Includes Items 6, 7 And 102-0670 Ribbon Cable) ▲ ◆ | 11          | 102-0640           |             | 16-Station Module Assy. (M2 Surge Upgrade) (Includes Items 7 And 8) ▲ ◆ |
| 3           | 102-0652           | 1           | Ground Bus Bar Pcb Assy., Service (Includes Item 8)                                | 11          | 102-0641           |             | 16-Station Module Assy. (M3 Surge Upgrade) (Includes Items 7 And 8) ▲ ◆ |
| 4           | 102-0653           | 1           | 24 Vac Bus Bar Pcb Assy., Service (Includes Item 8)                                | 11          | 102-0642           |             | 16-Station Module Assy. (M4 Surge Upgrade) (Includes Items 7 And 8) ▲ ◆ |
| 5           | 102-0658           | 1           | Fuse, 1.0 Amp, Fast-Blow, Service (5-Pack)   | 12          | 360-0595           | 4           | Screw, Machine, 1/4-20 X 1/2"   |
| 6           | 102-0657           | 4           | Fuse, 3.0 Amp, Fast-Blow, Service (5-Pack)   | 13          | 360-0140           | 4           | Washer-Flat   |
| 7           | 102-0671           | 11          | Screw, Machine, 6-32 X 1/4"  | 14          |                    | 2           | Bracket, Mount Backplate ■  |
| 8           | 363-1355           | 20          | Screw, Tap, #6   | 15          | 102-4586           |             | Plastic Cover, Switches ▲   |
| 9           | 102-0685           | 1           | Wire Harness Assy., Grounding  | 16          | 102-5940SK         |             | Kit, Station Labels, Numbered, Plastic ▲                                |
| 10          | 102-0686           | 1           | Wire Harness Assy., Power Supply   |             |                    |             |   |
| N/I         | 102-0638           |             | 8-Station Terminal Block (M0 Surge Level) ▲ ◆ ●                                    |             |                    |             |   |

● Not illustrated

▲ Quantity Varies With Model

◆ Order Through Finished Goods Distribution System - Minneapolis

■ Not serviced separately



## Network VP and VPE - Power Supply

| Ref. | Part Number | Qty. | Description   |
|------|-------------|------|---|
| 1    | 4-1063      | 2    | Screw, Tap, #6  |
| 2    |             | 2    | Washer, Lock, #6 ♦                                      |
| 3    | 102-0646    | 1    | Cover, Power Supply                                     |
| 4    | 102-0695    | 1    | Cover, Wire Terminal                                    |
| 5    | 102-0666    | 1    | On/Off Switch   |
| 6    | 102-0382    | 1    | Transformer Assy., Service ●                            |
| 6    | 102-3759    | 1    | Transformer Assy., Service (For Japanese Models Only) ● |
| 7    | 102-0649    | 1    | Fuse Holder W/Cap                                       |
| 8    | 102-0650    | 1    | Fuse, 3.2 Amp, Slow-Blow (10-Pack) ●                    |
| 9    | 102-0648    | 1    | Slide Switch 115/230V                                   |
| 10   | 102-0651    | 1    | Circuit Breaker, 4.0 Amp                                |
| 11   | 118-0538SK  | 1    | Ttf Surge Protector                                     |
| 12   | 102-0700    | 1    | Filter Assy., Rfi                                       |
| 13   | 102-0667    | 1    | Terminal Block, 115/230V (Includes Item 14) ▲           |
| 14   | 360-0297    | 2    | Screw, #6 X 3/4"  |
|      | 102-0645    | 1    | Power Supply Assembly (Includes Items 1-14) ■           |

● SERVICE ITEMS  
▲ (Includes Item 14)

■ Not illustrated  
♦ Not serviced separately

**Notes:**



**Count on it.**