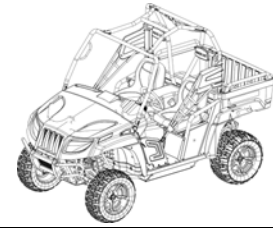


Arctic Cat® Prowler

Installation Instructions - Accessory Kit

LXC Windshield Wiper Kit

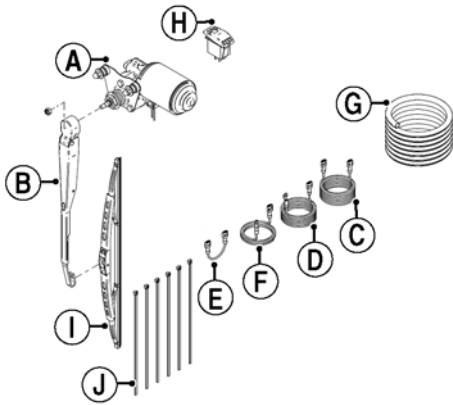
(1436-522)



■ **NOTE:** Read these Installation Instructions thoroughly before beginning the installation process. Retain these Installation Instructions for future reference.

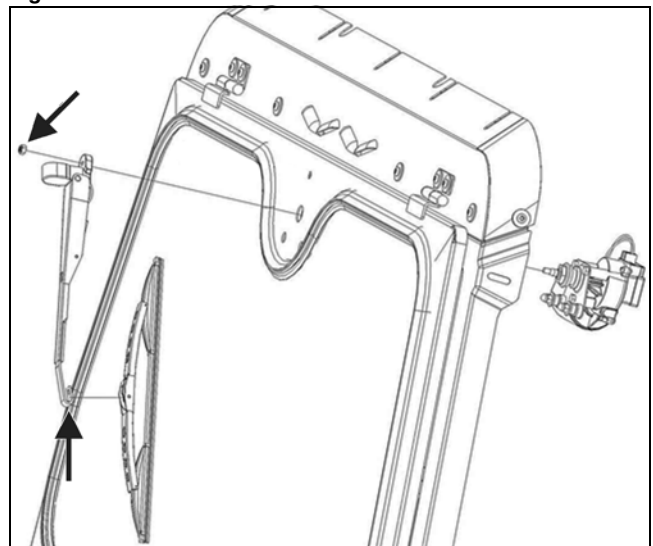
Kit includes:

p/n	QTY	DESCRIPTION
2441-269	1	Wiper Motor (A)
2441-270	1	Wiper Arm (B)
2441-271	1	Black Wire (C)
2441-272	1	Red Wire (108 1/4-in.) (D)
2441-273	1	Jumper Wire (E)
2441-274	1	Accessory Wire-Jumper (F) (23 5/8-in.)
2441-275	1	Loom (G)
2441-276	1	Switch (H)
2441-277	1	Blade (I)
N/A	6	Cable Tie (J)
0453-746	1	Instruction



- Position Wiper Motor through the three holes in the windshield; then secure the motor using three flat washers and three nuts.
- Install Blade onto Wiper Arm; then secure the arm and the upper portion of the wiper motor to the windshield (at a 90° angle) using one nut. Finger tighten at this time. See Fig. 2.

Fig. 2

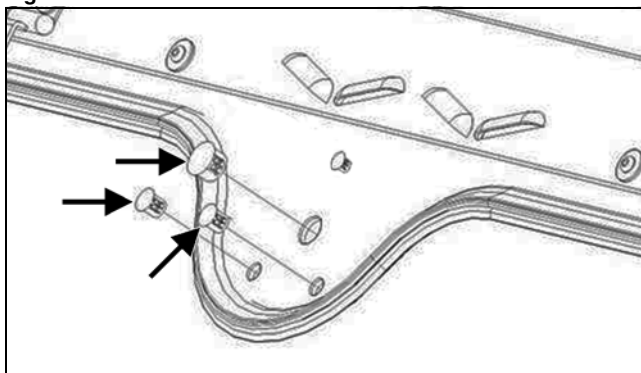


UTV-224A

■ **NOTE:** Make sure the key is in the off position while installing this kit.

- With the windshield kit installed on the vehicle, remove the three lower caps from the middle of the windshield. See Fig. 1.

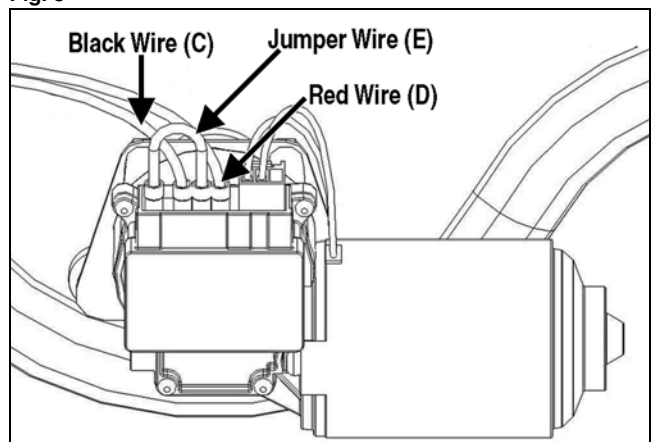
Fig. 1



UTV-223A

- Install the Black and Red Wire (108 1/4-in.) into Loom; then plug the wires into the wiper motor. See Fig. 3.

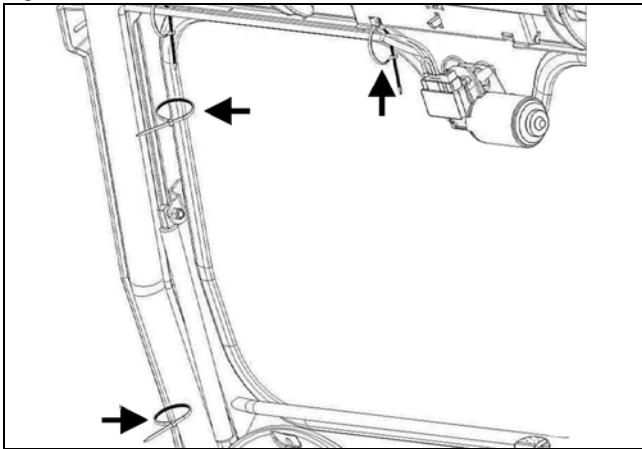
Fig. 3



UTV-226A

5. Route the loom along the upper portion of the windshield and down along the left-side ROPS tube. Loosely secure using cable ties. See Fig. 4.

Fig. 4

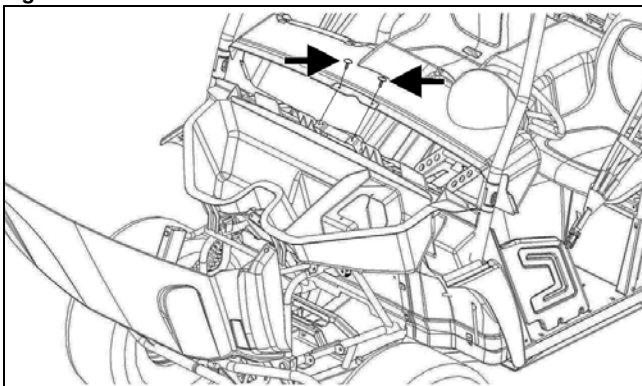


UTV-227A

6. Route the wiper motor wires on the left side of the dash and route to the switch panel in the dash.

7. With the hood open, remove the two machine screws securing the middle of the dash to the frame. See Fig. 5

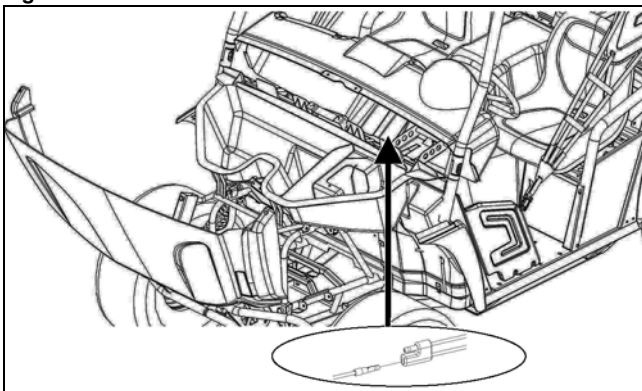
Fig. 5



UTV-243A

8. Route Accessory Wire-Jumper (23 5/8-in.) into the accessory plug located under the dash next to the key switch connection. See Fig. 6.

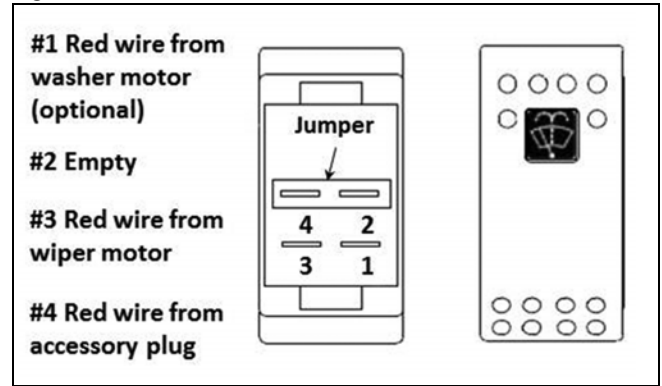
Fig. 6



UTV-225A

9. Route the accessory wire-jumper through the dash and plug it into the upper left switch connection (#4). See Fig. 7.

Fig. 7

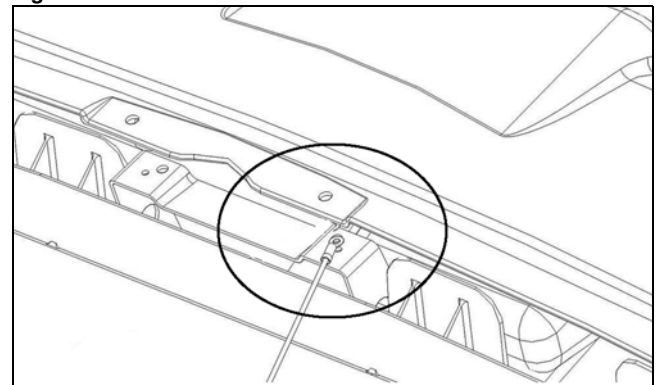


UTV-252

10. Route the red wire through the dash and plug it into the lower left switch connection (#3).

11. Route the black wire from the wiper motor and secure between the dash and the frame using one of the self-tapping screws removed in step 7. See Fig. 8.

Fig. 8

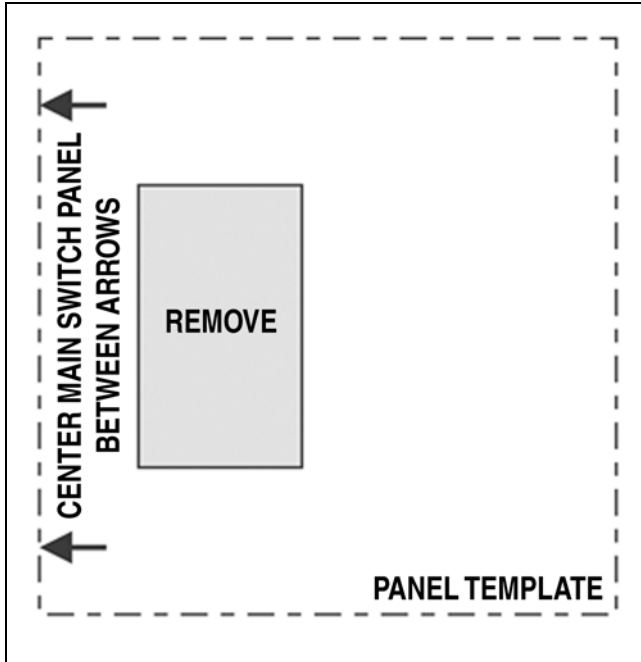


UTV-229A

12. Press the switch into the dash until it is fully seated; then test the function of the wiper.

■ **NOTE:** If existing switch mount is full, use template below to install the switch to the right of the existing switch mount. Panel Switch Mount Kit (p/n 1436-008) can also be ordered and installed. See Fig. 9.

Fig. 9



0742-170

13. Adjust the wiper blade making sure it is no closer than 1/2 in. from the windshield edge or other components along the windshield edge when the wiper is in the “Park” position.

■ **NOTE:** The “Park” position will be on the right side of the windshield (from operator’s viewpoint).

■ **NOTE:** If the wiper arm is too long, release the lever on the underside of the arm and shorten the length of the arm. Secure the lever when the desired length is achieved. See Fig. 10.

Fig. 10



OHUV-054

■ **NOTE:** If the wiper blade is not centered properly while sweeping, turn off the wiper motor and ignition switch. Pull the wiper arm/blade assembly off the shaft and adjust it until it is centered while sweeping. When the blade has been satisfactorily adjusted, manually press the wiper arm firmly onto the shaft.

CAUTION

Avoid lifting the center of the blade more than 3” away from the windshield. Damage to the wiper arm may occur especially in cold weather.