



CCR™ 2400

CCR™ 2500

Snowthrower

Model No. 38412-8900001 & Up

Model No. 38417-8900001 & Up

Model No. 38423-8900001 & Up

Model No. 38427-8900001 & Up

CCR™ 2400

CCR™ 2500

Déneigeuse

Modèle No. 38412-8900001 et suivants

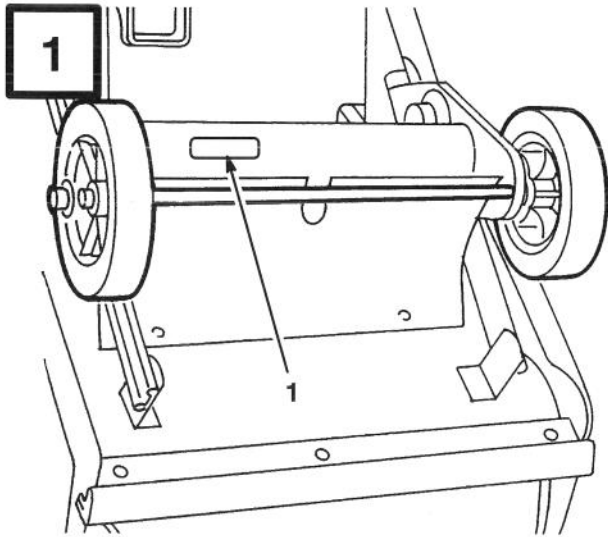
Modèle No. 38417-8900001 et suivants

Modèle No. 38423-8900001 et suivants

Modèle No. 38427-8900001 et suivants

Operator's Manual
Manuel de l'Utilisateur

Figures



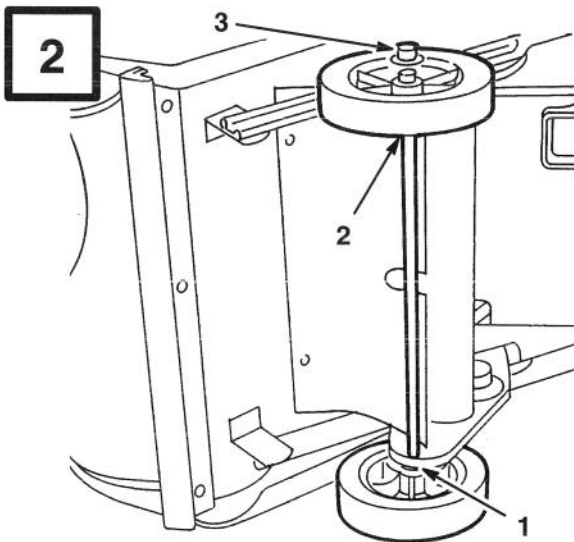
637

English

1. Model and serial number decal

Français

1. Numéros de modèle et de série



637

English

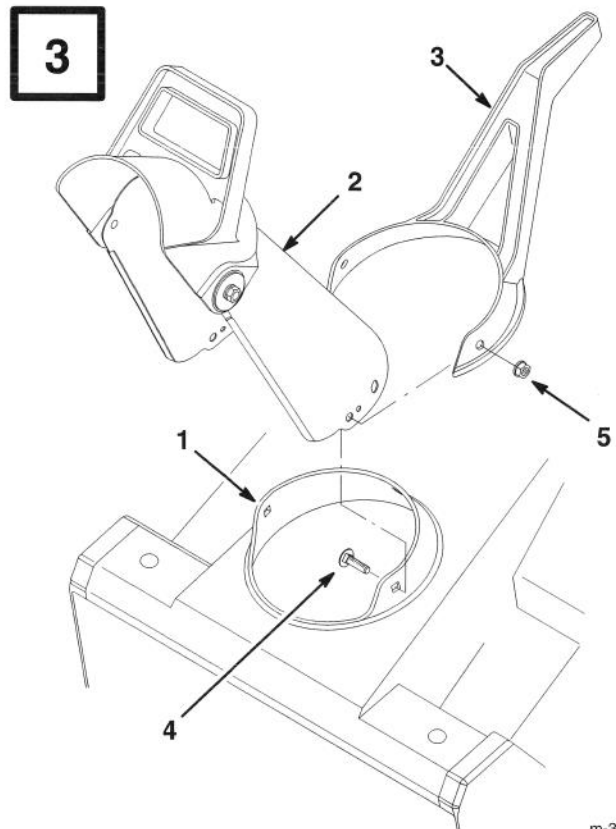
(Unit shown on right side)

1. Short spacer 3. Pushnut
2. Long spacer

Français

(La déneigeuse est montrée basculée sur son côté droit)

1. Entretoise courte 3. Écrou-poussoir
2. Entretoise longue



m-3277

English

Models 38412 & 38417

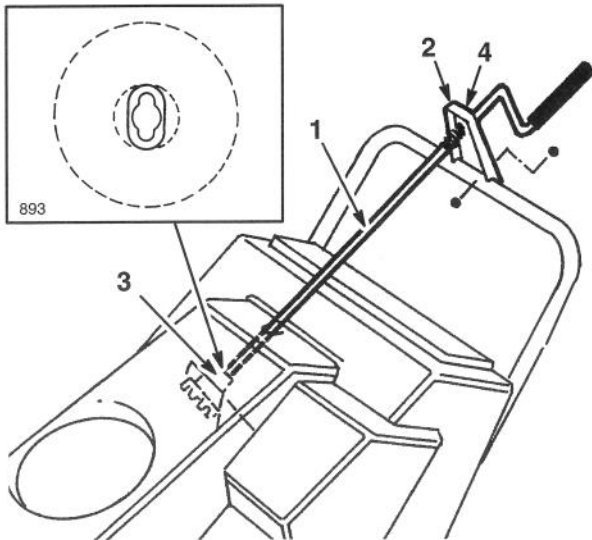
1. Chute ring 4. Carriage bolt
2. Discharge chute 5. Lock nut
3. Chute handle

Français

Modèles 38412 & 38417

1. Couronne d'éjecteur 4. Boulon de carrossier
2. Ejecteur 5. Écrou-frein
3. Poignée d'orientation

4



English

Models 38423 & 38427

- | | |
|---------------------|--------------------|
| 1. Chute crank | 3. Gear |
| 2. Mounting bracket | 4. Plastic bushing |

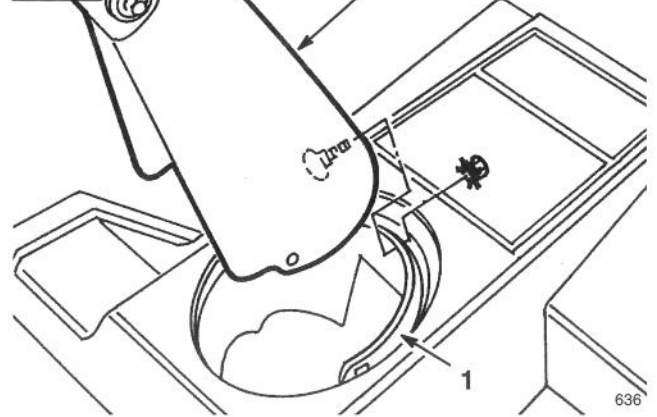
Français

Modèles 38423 & 38427

- | | |
|--|-----------------------|
| 1. Manivelle d'orientation de l'éjecteur | 3. Engrenage |
| 2. Support de montage | 4. Bague en plastique |

635

5



English

Models 38423 & 38427

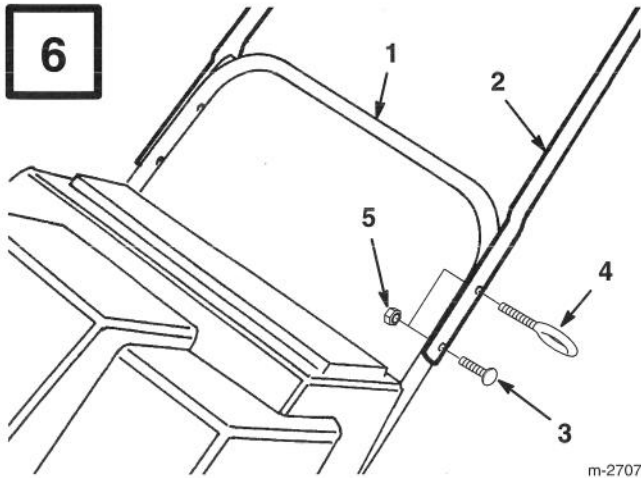
- | | |
|---------------|--------------------|
| 1. Chute ring | 2. Discharge chute |
|---------------|--------------------|

Français

Modèles 38423 & 38427

- | | |
|------------------------|-------------|
| 1. Couronne d'éjecteur | 2. Ejecteur |
|------------------------|-------------|

636

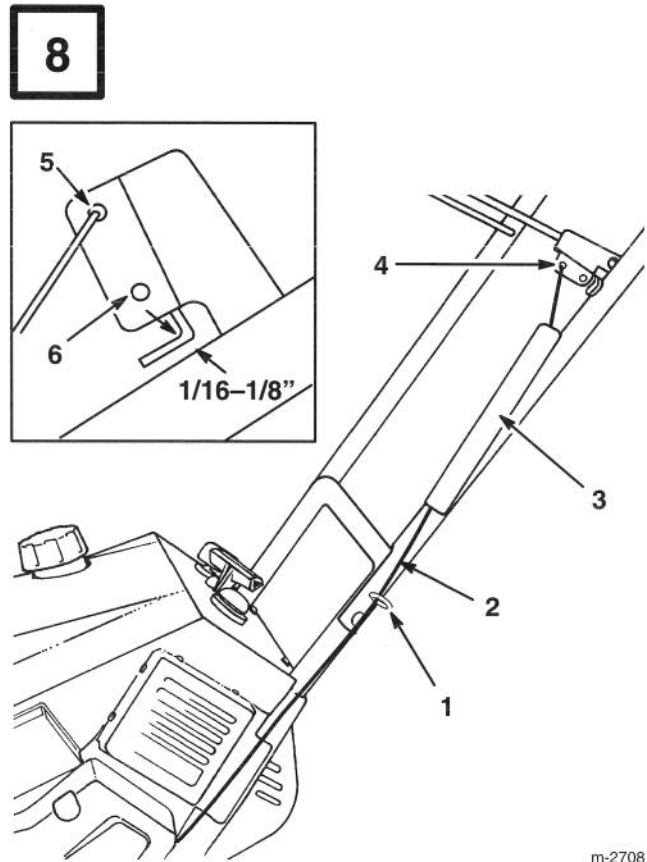


English

- | | |
|-----------------|-------------|
| 1. Lower handle | 4. Eyebolt |
| 2. Upper handle | 5. Lock nut |
| 3. Handle bolt | |

Français

- | | |
|---------------------|--------------------|
| 1. Manche inférieur | 4. Boulon à anneau |
| 2. Manche supérieur | 5. Écrou-frein |
| 3. Boulon | |



English

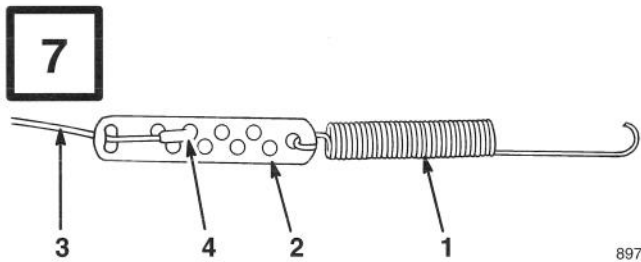
Models 38412 & 38417

- | | |
|------------------|------------------------|
| 1. Eyebolt | 4. Control bar bracket |
| 2. Control cable | 5. Top hole |
| 3. Spring cover | 6. Bottom hole |

Français

Modèles 38412 & 38417

- | | |
|----------------------|---------------------------------|
| 1. Boulon à anneau | 4. Support de barre de commande |
| 2. Câble de commande | 5. Trou supérieur |
| 3. Cache-ressort | 6. Trou inférieur |

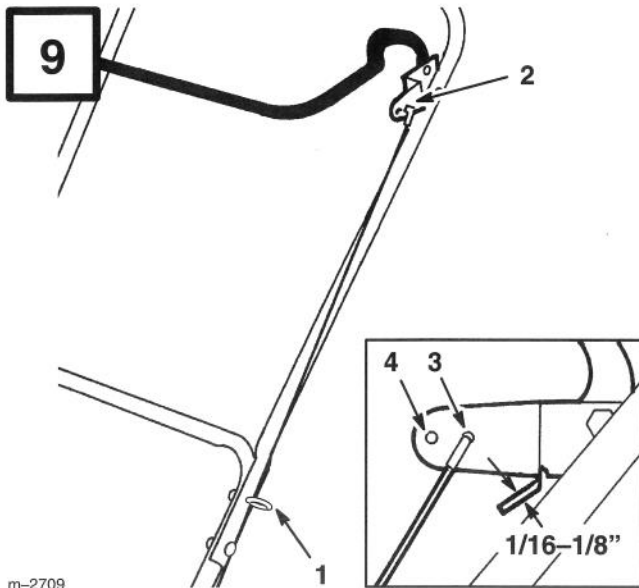


English

- | | |
|-------------------|--------------|
| 1. Spring | 3. Cable |
| 2. Cable adjuster | 4. Z fitting |

Français

- | | |
|-----------------------------------|-----------------|
| 1. Ressort | 3. Câble |
| 2. Dispositif de réglage du câble | 4. Crochet en Z |



m-2709

English

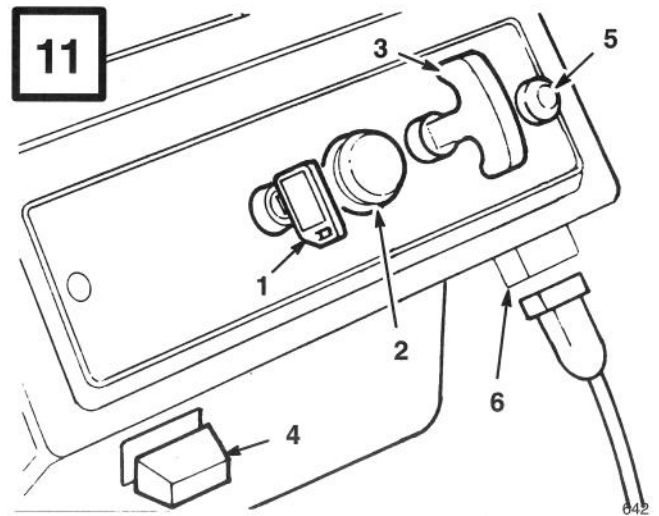
Models 38423 & 38427

- | | |
|------------------------|-----------------|
| 1. Eyebolt | 3. Rear hole |
| 2. Control bar bracket | 4. Forward hole |

Français

Modèles 38423 & 38427

- | | |
|---------------------------------|-----------------|
| 1. Boulon à anneau | 3. Trou arrière |
| 2. Support de barre de commande | 4. Trou avant |

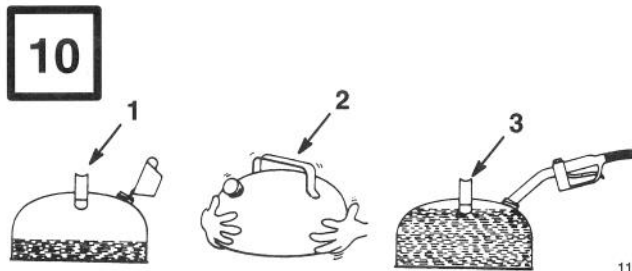


English

- | | |
|-----------------|------------------------|
| 1. Key switch | 5. Elec. start button* |
| 2. Primer | 6. Cord connection* |
| 3. Recoil start | * ELEC. START MODEL |
| 4. Choke | |

Français

- | | |
|------------------------------------|---------------------------------|
| 1. Clé de contact | 6. Raccord du cordon* |
| 2. Amorceur | * MODÈLE À DÉMARRAGE ÉLECTRIQUE |
| 3. Lanceur | |
| 4. Étrangleur | |
| 5. Bouton du démarreur électrique* | |



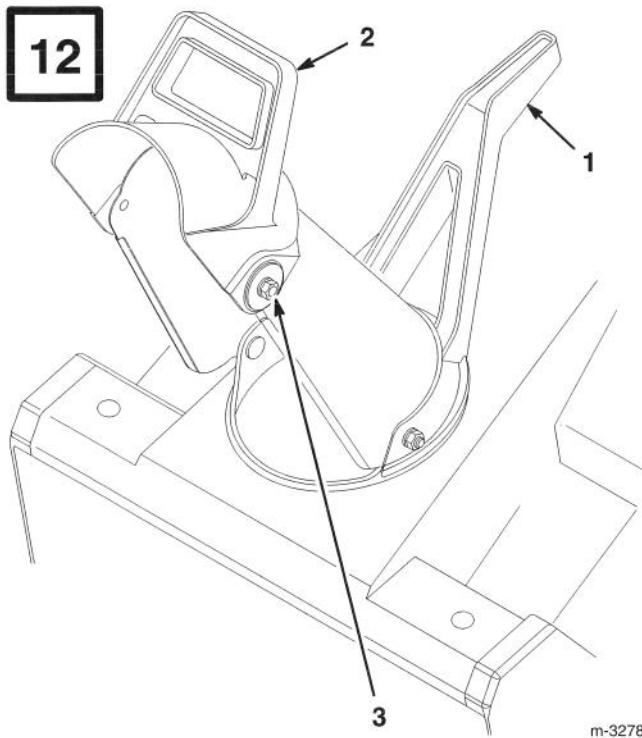
111

English

- | | |
|--|-------------------------------------|
| 1. Add oil to small amount of gasoline | 3. Add remaining amount of gasoline |
| 2. Install cap and shake can to mix | |

Français

- | | |
|--|----------------------------------|
| 1. Versez l'huile dans une petite quantité d'essence | 3. Ajoutez le reste de l'essence |
| 2. Mettez le bouchon et secouez bien pour mélanger | |



English

Models 38412 & 38417

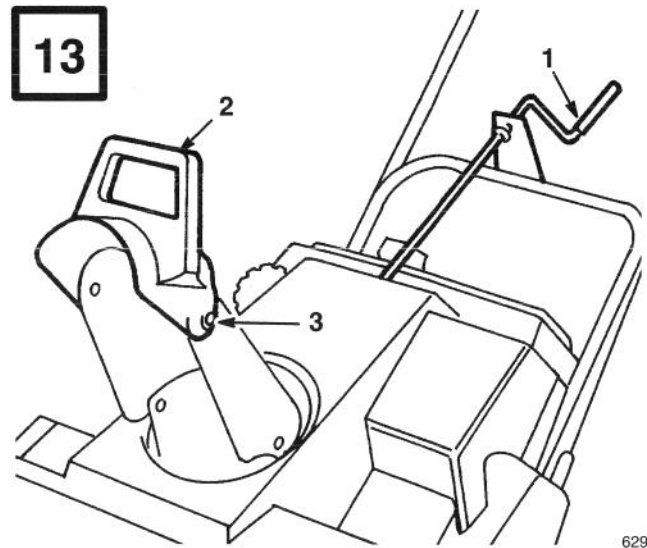
- 1. Chute handle
- 2. Chute deflector handle
- 3. Deflector mounting nuts

Français

Modèles 38412 & 38417

- 1. Poignée d'orientation
- 2. Poignée du déviateur
- 3. Écrous de montage du déviateur

m-3278



English

Models 38423 & 38427

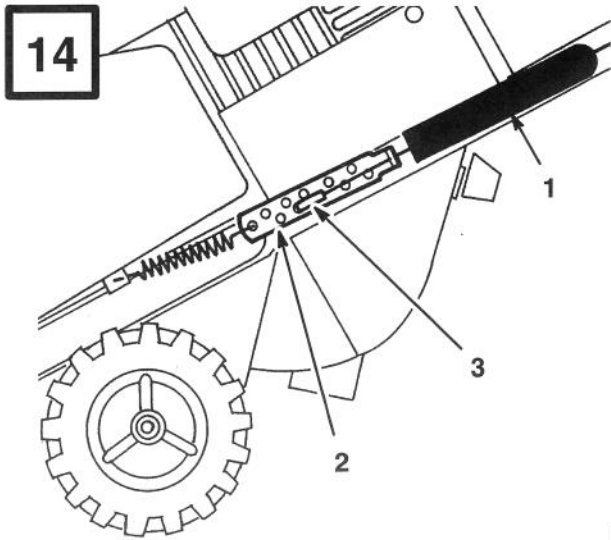
- 1. Chute crank
- 2. Chute deflector handle
- 3. Deflector mounting nuts

Français

Modèles 38423 & 38427

- 1. Manivelle d'orientation de l'éjecteur
- 2. Poignée du déviateur
- 3. Écrous de montage du déviateur

629



630

English

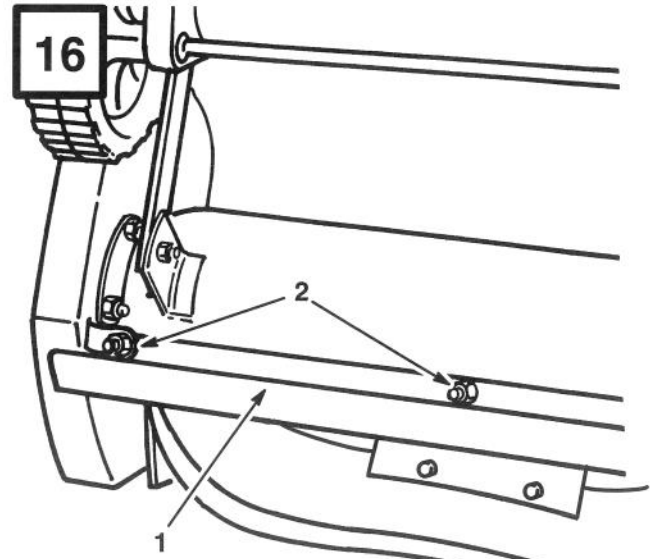
Models 38423 & 38427

- 1. Spring cover
- 2. Cable adjuster
- 3. Z fitting

Français

Modèles 38423 & 38427

- 1. Cache-ressort
- 2. Dispositif de réglage du câble
- 3. Crochet en Z



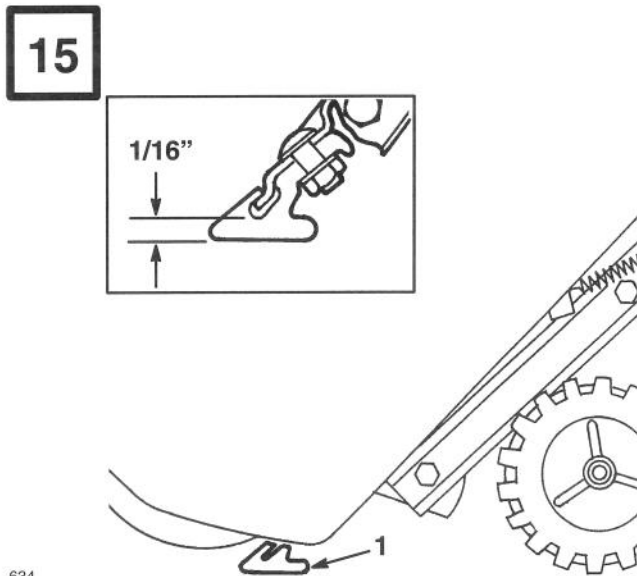
644

English

- 1. Scraper
- 2. Carriage bolts & lock nuts (3)

Français

- 1. Lame racleuse
- 2. Boulons de carrossier et écrous-freins (3)



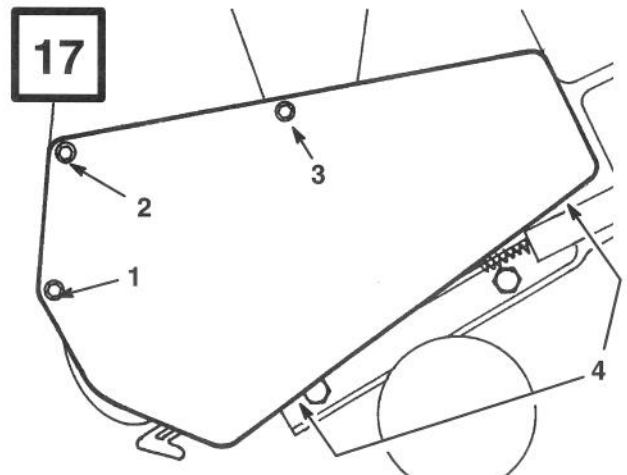
634

English

- 1. Scraper

Français

- 1. Lame racleuse



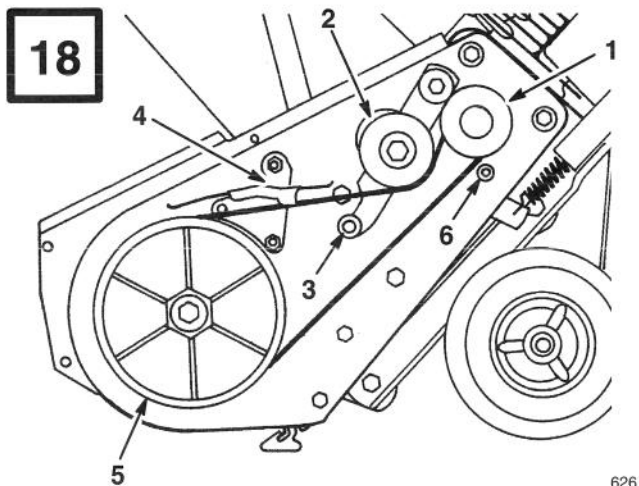
631

English

- 1. Cap screw, nut
- 2. Capscrew, nut, washer
- 3. Long self tapping screw
- 4. Short self tapping screws

Français

- 1. Boulon à tête et écrou
- 2. Boulon à tête, écrou et rondelle
- 3. Vis autotaraudeuse longue
- 4. Vis autotaraudeuses courtes



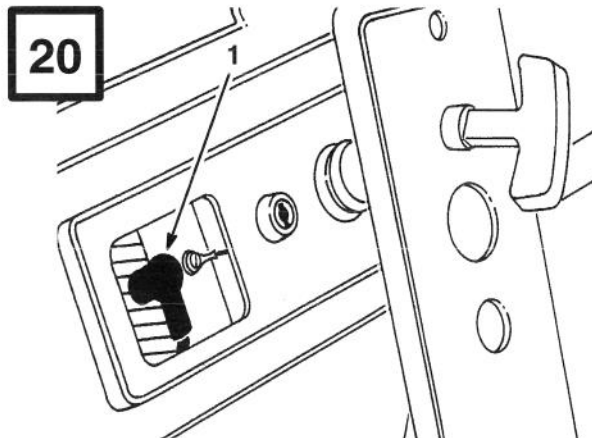
626

English

- | | |
|------------------|-----------------------|
| 1. Engine pulley | 4. Brake arm assembly |
| 2. Idler pulley | 5. Rotor pulley |
| 3. Roller | 6. Belt guide |

Français

- | | |
|------------------|--------------------|
| 1. Poulie moteur | 4. Unité de frein |
| 2. Poulie folle | 5. Poulie du rotor |
| 3. Rouleau | 6. Guide-courroie |



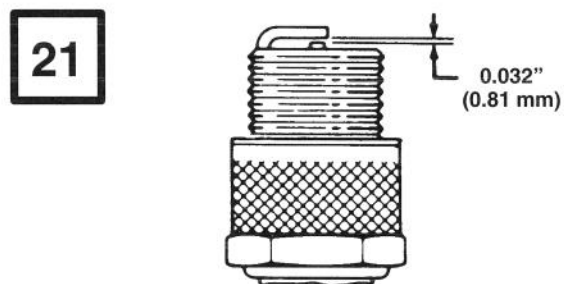
628

English

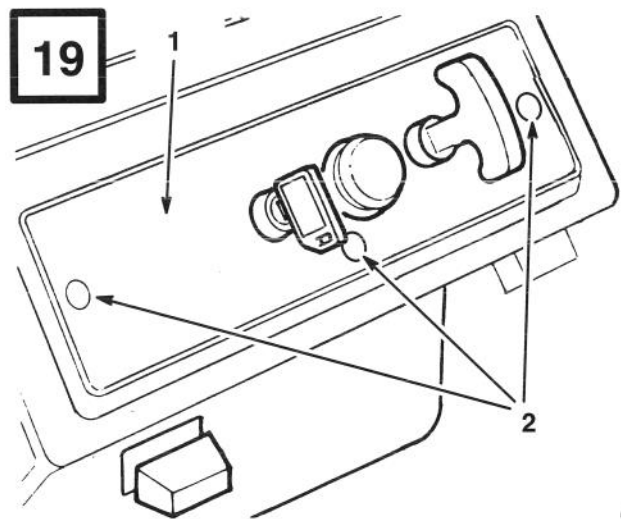
1. Spark plug wire

Français

1. Fil de bougie



110



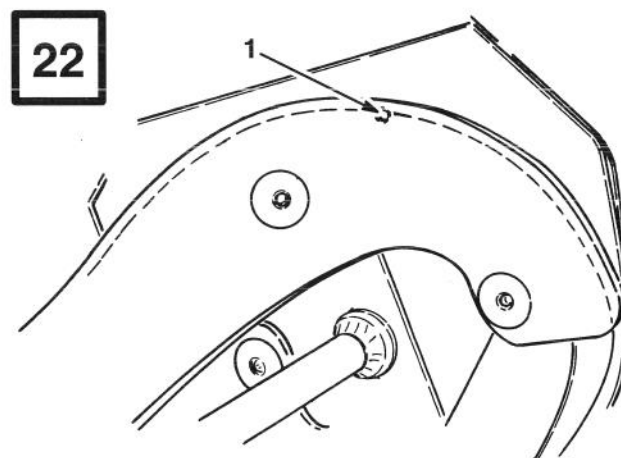
643

English

- | | |
|------------------|--------------------|
| 1. Control panel | 2. Mounting screws |
|------------------|--------------------|

Français

- | | |
|------------------------|-------------------|
| 1. Panneau de commande | 2. Vis de montage |
|------------------------|-------------------|



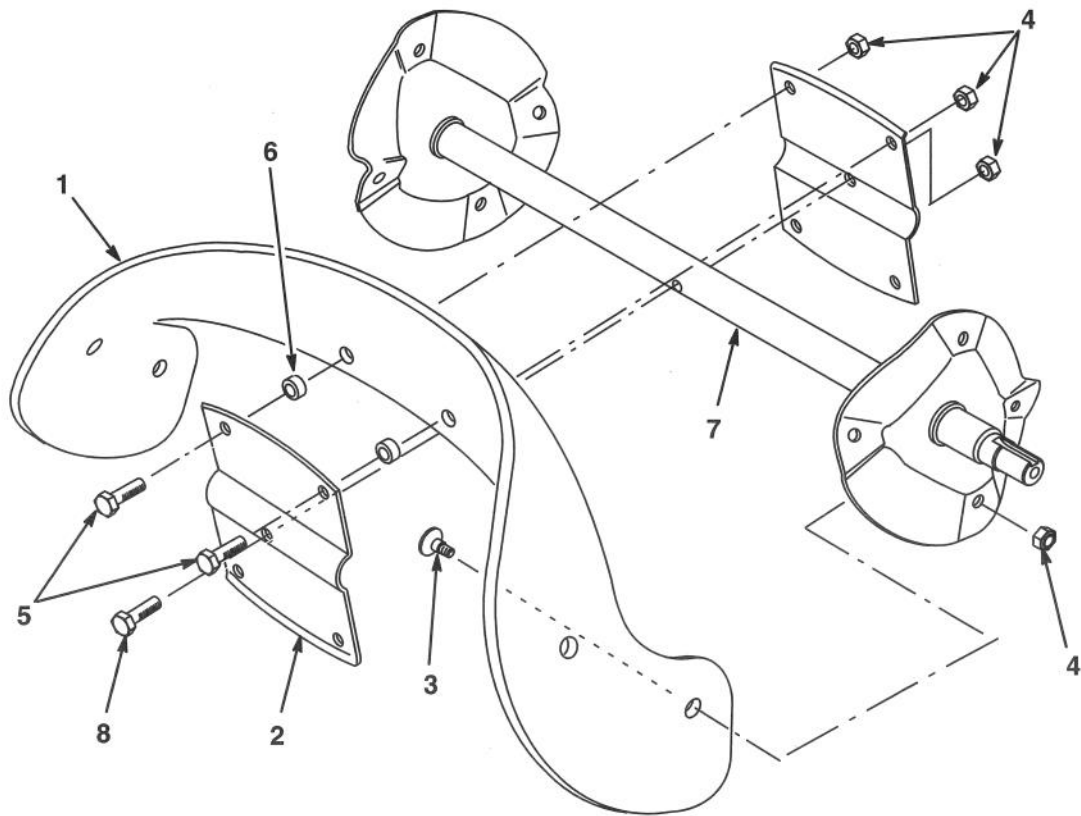
English

1. Wear indicator hole

Français

1. Trou indicateur d'usure

23



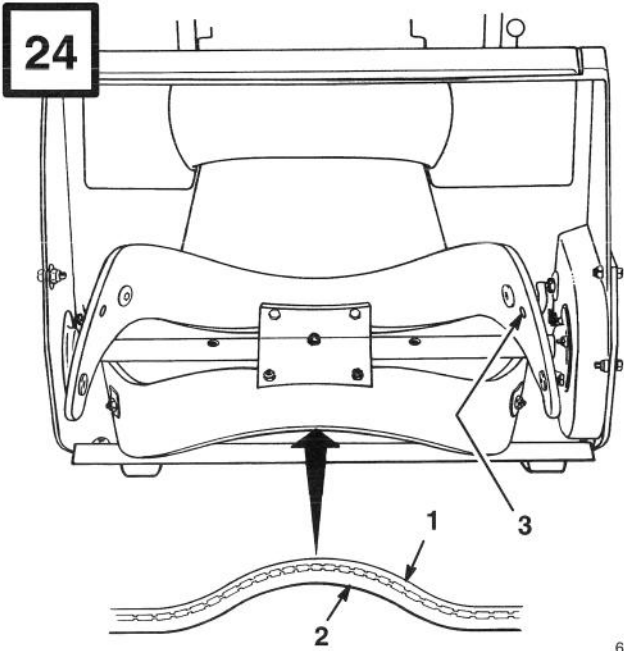
680

English

- | | | | |
|--------------------|-------------------|--------------------------|-------------------------|
| 1. Rotor blade (2) | 3. Torx screw (8) | 5. Hex-head capscrew (4) | 7. Auger shaft assembly |
| 2. Rotor half (2) | 4. Locknut (13) | 6. Spacer (4) | 8. Hex-head screw |

Français

- | | | | |
|-----------------------|---------------------|---------------------------------|-------------------|
| 1. Lame du rotor (2) | 3. Vis Torx (8) | 5. Boulon à tête hexagonale (4) | 7. Arbre du rotor |
| 2. Plaque d'acier (2) | 4. Écrou-frein (13) | 6. Entretoise (4) | 8. Vis six pans |



681

English

- 1. Thin layer
- 2. Thick layer
- 3. Wear indicator hole

Français

- 1. Couche mince
- 2. Couche épaisse
- 3. Trou indicateur d'usure

Contents

	Page
Introduction	1
Safety	2
Before Operating	2
While Operating	2
Maintaining Snowthrower	3
Sound Pressure Level	4
Sound Power Level	4
Vibration Level	4
Symbol Glossary	5
Assembly	8
Install Wheels	8
Install Discharge Chute And Chute Handle	9
Install Chute Crank	9
Install Discharge Chute	9
Install Handle	9
Install Control Cable	9
Install Control Cable	10
Before Starting	10
Mix Gasoline And Oil	10
Operation	11
Starting/Stopping Engine	11
Operating Tips	11
Maintenance	13
Adjusting Control Bar	13
Draining Gasoline	13
Replacing Scraper	14
Replacing Drive Belt	14
Replacing Spark Plug	14
Adjusting Carburetor	14
Replacing Rotor Blades	14
Storage	15

Introduction

Thank you for purchasing a Toro product.

All of us at Toro want you to be completely satisfied with your new product, so feel free to contact your local Authorized Service Dealer for help with service, genuine Toro parts, or other information you may require.

Whenever you contact your Authorized Service Dealer or the factory, always know the model and serial numbers of your product. These numbers will help the Service Dealer or Service Representative provide exact information about your specific product. You will find the model and serial number decal located in a unique place on the product (Fig. 1).

For your convenience, write the product model and serial numbers in the space below.

Model No.: _____

Serial No. _____

Read this manual carefully to learn how to operate and maintain your product correctly. Reading this manual will help you and others avoid personal injury and damage to the product. Although Toro designs, produces and markets safe, state-of-the-art products, you are responsible for using the product properly and safely. You are also responsible for training persons who you allow to use the product about safe operation.

The Toro warning system in this manual identifies potential hazards and has special safety messages that help you and others avoid personal injury, even death. DANGER, WARNING and CAUTION are signal words used to identify the level of hazard. However, regardless of the hazard, be extremely careful.

DANGER signals an extreme hazard that will cause serious injury or death if the recommended precautions are not followed.


WARNING signals a hazard that may cause serious injury or death if the recommended precautions are not followed.

CAUTION signals a hazard that may cause minor or moderate injury if the recommended precautions are not followed.

Two other words are also used to highlight information. “Important” calls attention to special mechanical information and “Note” emphasizes general information worthy of special attention.

The left and right side of the machine is determined by standing behind the handle in the normal operator’s position.

Safety

To ensure maximum safety, best performance, and to gain knowledge of the product, it is essential that you or any other operator of the snowthrower read and understand the contents of this manual before the motor is ever started. Pay particular attention to the safety alert symbol  which means CAUTION, WARNING OR DANGER — “personal safety instruction.” Read and understand the instruction because it has to do with safety. Failure to comply with instruction may result in personal injury.

This snowthrower is designed and tested to offer safe and effective service, provided it is operated in strict accordance with the following Safety Instructions. Failure to comply with the following instructions **MAY RESULT IN PERSONAL INJURY.**

Before Operating

1. Read and understand the contents of this manual before operating the snowthrower. Become familiar with all controls and know how to stop engine and snowthrower quickly.
2. Never allow children to operate the snowthrower. Adults should operate the snowthrower only after reading this manual.

3. Keep everyone, especially children and pets, away from snowthrower and area of operation.
4. Inspect area thoroughly where snowthrower will be used. Remove doormats, sleds, boards, sticks, wire and any other foreign objects which might be picked up and thrown by the snowthrower.
5. Keep all shields and safety devices in place. If a shield, safety device or decal is illegible, damaged or lost, repair or replace it before beginning operation. Also, tighten any loose nuts, bolts or screws.
6. Wear adequate winter clothing and rubber boots that will ensure proper footing on slippery surfaces. Do not wear loose-fitting clothing that could possibly get caught in moving parts.
7. Always wear safety glasses or eye shields during operation or while performing an adjustment or repair to protect eyes from foreign objects that may be thrown from the machine.
8. Fill fuel tank with gasoline before starting the engine. Avoid spilling any gasoline. Because fuel is highly flammable, handle it carefully. **DO NOT SMOKE WHILE HANDLING GASOLINE.**
 - A. Use an approved gasoline container.
 - B. Fill fuel tank outdoors, not indoors. **NEVER ADD FUEL TO AN ENGINE THAT IS RUNNING OR HOT.** Engine must be cool to reduce potential fire hazard.
 - C. Open doors if engine will be started in the garage because exhaust fumes are dangerous and could possibly be deadly. Do not run engine indoors.
 - D. Wipe up any spilled gasoline. Reinstall gasoline container cap and snowthrower fuel tank cap securely before starting the engine.
9. Allow engine to warm up outdoors before operating. Do not run engine indoors.

While Operating

10. Use only the extension cord and receptacle provided with the electric start model snowthrower. Do not plug the extension cord

into outlet while standing in water or when hands are wet. Do not use cord if gasoline has been spilled. If extension cord is damaged, replace immediately (Part No. 28-9170).

11. Never direct discharge toward or operate snowthrower near bystanders, glass enclosures, automobiles and trucks, window wells or a drop-off. Never allow anyone in front of snowthrower.
12. Keep people and pets a safe distance away from the snowthrower and area of operation.
13. Operate the snowthrower only when there is good visibility or light. Always maintain secure footing and balance and keep a firm grip on the handle. Walk; never run.
14. **DO NOT USE SNOWTHROWER ON A ROOF.**
15. Be attentive when using the snowthrower, and stay alert for holes in the terrain and other hidden hazards.
16. **STAY AWAY FROM DISCHARGE OPENING WHILE OPERATING THE SNOWTHROWER.** Keep face, hands, feet, and any other part of your body or clothing away from concealed, moving, or rotating parts.
17. Never clear snow off steep slopes or across the faces of slopes. Exercise extreme caution when changing direction on slopes.
18. Do not overload the snowthrower by clearing snow at too fast a rate.
19. Use extreme caution when crossing or operating snowthrower on walks, roads or gravel or crushed rock drives. Refer to Operating Tips, page 7, item 4 for correct operating procedure.
20. If a foreign object is hit or snowthrower vibrates abnormally, stop engine by turning key to OFF and wait for all moving parts to stop. Check snowthrower immediately for possible damage,

an obstruction or loose parts. Vibration is generally a sign of trouble. Repair any damage before operating snowthrower again.

21. Before adjusting, cleaning, repairing or inspecting the snowthrower, or before unclogging the discharge chute, stop engine by turning key to OFF and wait for all moving parts to stop. Do not make adjustments while engine is running.
22. **WHENEVER YOU LEAVE THE OPERATING POSITION, STOP ENGINE BY TURNING KEY TO OFF. REMOVE KEY FROM SWITCH IF UNIT WILL BE UNATTENDED.**
23. Let snowthrower run for a few minutes after clearing snow so moving parts do not freeze.

Maintaining Snowthrower

24. REMOVE KEY FROM SWITCH when storing snowthrower. Store key in a memorable place.
25. Never store snowthrower with fuel in fuel tank inside a building where open flame or sparks are present. Allow engine to cool before storing. **NEVER STORE SNOWTHROWER IN HOUSE (LIVING AREA) OR BASEMENT BECAUSE GASOLINE AND FUMES ARE HIGHLY FLAMMABLE, EXPLOSIVE, AND DANGEROUS IF INHALED.**
26. Perform only those maintenance instructions described in this manual. Remove key from switch before performing maintenance procedures to prevent the possibility of accidental starting. If major repairs are ever needed, contact your local Authorized TORO Service Dealer for assistance.
27. Keep snowthrower in safe operating condition by keeping nuts, bolts, and screws tight. Check all fasteners frequently to ensure they are tight.
28. Maintain or replace safety and instruction labels, as necessary.

-
29. To ensure best performance and safety, purchase genuine TORO replacement parts and accessories to keep your TORO all TORO. **NEVER USE “WILL FIT” REPLACEMENT PARTS AND ACCESSORIES.**

Sound Pressure Level

This unit has an equivalent continuous A-weighted sound pressure at the operator ear of: 91 dB(A), based on measurements of identical machines per ANSI B71.5-1984 procedures.

Sound Power Level

Models 38412/38417

This unit has a sound power level of: 103.4 dB(A) / 1 pW, based on measurements of identical machines per procedures outlined in Directive 79/113/EEC and amendments. The test surface consisted of a surface of coconut mat surrounded by 2” grass.

Models 38423/38427

This unit has a sound power level of: 105 dB(A) / 1 pW, based on measurements of identical machines per procedures outlined in Directive 79/113/EEC and amendments. The test surface consisted of a surface of coconut mat surrounded by 2” grass.

Vibration Level

Models 38412/38417

This unit has a maximum hand-arm vibration level of 14.33 m/s², based on measurement of identical machines per ISO 5349.

Models 38423/38427

This unit has a maximum hand-arm vibration level of 22.6 m/s², based on measurement of identical machines per ISO 5349.

Symbol Glossary

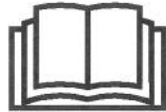
Safety alert triangle — symbol within triangle indicates a hazard



Safety alert symbol



Read operator's manual



Consult technical manual for proper service procedures



Shut off engine and remove key before performing maintenance or repair work



Shut off engine and remove key before leaving operator position — single stage snowthrower



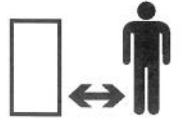
Shut off engine and remove key before leaving operator position — two stage snowthrower



Do not open or remove safety shields while engine is running



Stay a safe distance from the machine



Stay a safe distance from the machine — single stage snowthrower



Stay a safe distance from the machine — two stage snowthrower



Thrown or flying objects — Whole body exposure



Electrical shock — electrocution



Cutting or entanglement of foot — rotating auger



Severing of fingers or hand – impeller blade



Hot surfaces – burns to fingers or hands



Caustic liquids – chemical burns to fingers or hands



Do not tip battery



Keep dry



Machine travel direction – forward



Machine travel direction – rearward



Electric start



Machine loss of control – uphill slope



Machine loss of control – downhill slope



Traction drive



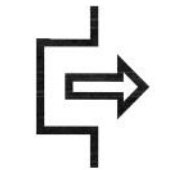
Snowthrower collector auger



Engage



Disengage



On/start



Off/stop



Fast



Slow



Decreasing/Increasing



Engine start



Engine stop



Snowthrower chute direction



Choke



Engine speed (Throttle)



Neutral



Snowthrower collector auger



Lock



Unlock



Lever operation



Lever operation



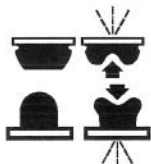
Primer (start aid)



Unleaded fuel



Primer operation



Cutting of fingers or hand



Throttle operation



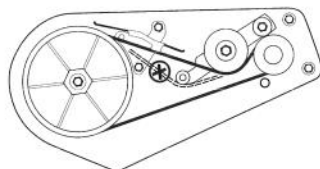
Cutting of foot



PowerShift operation



Belt routing



Assembly

Note: Determine left and right sides of the snowthrower by standing in the normal operator's position behind the handles.

Install Wheels (Fig. 2)

1. Carefully turn machine onto its left side. Place a wood block under the left axle end.
2. Slide the **short** spacer and a wheel onto the right axle end. The side of the wheel with six spokes must face the center of the machine.
3. Slide a pushnut onto the end of the axle.
4. Using a hammer, strike the pushnut to seat the nut **FIRMLY** in place.
5. Turn the machine over on its right side so that the left axle end is pointing up.
6. For the left side, slide the **long** spacer and a wheel onto the left axle end. The side of the wheel with six spokes must face the center of the axle.
7. Place a wood block under the right axle end. Repeat steps 3 and 4.

Install Discharge Chute And Chute Handle (Fig. 3)

Models 38412 & 38417

1. Place chute handle over chute ring.
2. Insert discharge chute between chute ring and chute handle. Align holes.
3. Secure back of chute and handle to center hole in chute ring with a carriage bolt and lock nut. Position nut on outside of chute.

Note: Chute ring may be rotated to ease assembly of discharge chute.

4. Secure chute and handle to remaining holes in chute ring and tighten all nuts **SECURELY**.

Install Chute Crank (Fig. 4)

Models 38423 & 38427

1. Insert flattened end of chute crank through hole in shroud while aligning mounting bracket with holes in lower handle. Slowly rotate crank until flattened end fits into hidden gear opening and chute ring turns with crank. Make sure plastic bushing is fully inserted into hole in mounting bracket, then secure mounting bracket to handle with (2) capscrews and locknuts.

Install Discharge Chute (Fig. 5)

Models 38423 & 38427

1. Set discharge chute onto chute ring. Align hole in back of chute with center hole in ring and install a carriage bolt and sems locknut. Position nut on outside of chute.

Note: Chute ring may be rotated to ease assembly of discharge chute.

2. Secure chute to remaining holes in chute ring and tighten all nuts **SECURELY**.

Install Handle (Fig. 6)

1. Remove tie securing control cable to lower handle.
2. Position upper handle so that control bar is on top of handle, not underneath it.
3. Secure upper and lower handle in place with (3) handle bolts, (1) eyebolt, and (4) lock nuts. Use eyebolt to mount upper left side of handle. Eyebolt must be positioned perpendicular to handle when tightened.

Install Control Cable

Models 38412 & 38417

1. Route control cable through eyebolt on left side of snowthrower.
2. Hook spring to round hole at end of cable adjuster (Fig. 7).
3. Route cable through elongated hole in cable adjuster. Insert Z fitting on end of cable into 3rd hole on cable adjuster (Fig. 7).
4. Slide spring cover over spring and cable adjuster. Push spring end through hole at end of spring cover.
5. Hook spring into top hole of control bar bracket (Fig. 8).
6. Move control bar back toward handle until slack in cable is removed. The gap between the control bar bracket and handle should be approximately 1/16"-1/8". See insert, Figure 8. If an adjustment is required, refer to Adjusting Control Bar, page 13.

Note: The control cable must always have slack in it when in the disengaged position.

Install Control Cable

Models 38423 & 38427

1. Route control cable through eyebolt on left side of snowthrower.
2. Hook upper end of control cable in rear hole (hole with arrow) in control bar bracket (Fig. 9).
3. Move control bar back toward handle until slack in cable is removed. The gap between the control bar bracket and handle should be approximately 1/16"-1/8". See insert, Figure 9. If an adjustment is required, refer to Adjusting Control Bar, page 13.

Note: The control cable must always have slack in it when in the disengaged position.

Before Starting

DANGER

POTENTIAL HAZARD

- In certain conditions gasoline is extremely flammable and highly explosive.

WHAT CAN HAPPEN

- A fire or explosion from gasoline can burn you, others, and cause property damage.

HOW TO AVOID THE HAZARD

- Use a funnel and fill the fuel tank outdoors, in an open area, when the engine is cold. Wipe up any gasoline that spills.
- Do not fill the fuel tank completely full. Add gasoline to the fuel tank until the level is 1/4" to 1/2" (6 mm to 13 mm) below the bottom of the filler neck. This empty space in the tank allows gasoline to expand.
- Never smoke when handling gasoline, and stay away from an open flame or where gasoline fumes may be ignited by a spark.
- Store gasoline in an approved container and keep it out of the reach of children.
- Never buy more than a 30-day supply of gasoline.

Mix Gasoline And Oil (Fig. 10)

Use clean, fresh lead-free gasoline, including *oxygenated* or *reformulated* gasoline, with an octane rating of 85 or higher. To ensure freshness, purchase only the quantity of gasoline that can be used in 30 days. Use of lead-free gasoline results in fewer combustion chamber deposits and longer spark plug life. Use of premium grade fuel is not necessary or recommended.

APPROVED OIL—For simplicity and best engine performance, mix the contents of one 5.2-ounce bottle of Toro 50:1 Two-Cycle Oil with two gallons of fresh, unleaded regular gasoline.

Toro Two-Cycle Oil is specially formulated to provide superior lubrication, make starting easy, and prolong engine life. If Toro Two-Cycle Oil is not available, mix two gallons of gasoline and 5.2 ounces of another high grade two-cycle oil that has the NMMA certification printed on the label.

NEVER USE AUTOMOTIVE OIL (i.e. SAE 30, 10W30 etc.), **TWO-CYCLE OIL THAT IS NOT CERTIFIED NMMA, OR THE WRONG MIX RATIO BECAUSE THE ENGINE CAN BE DAMAGED, AND IT WOULD NOT BE COVERED BY THE TORO WARRANTY.**

Mixing Gasoline and Oil—Pour a half gallon of gasoline into an approved gasoline container (preferably plastic, not metal) and add the correct amount of two-cycle oil. Reinstall cap on gasoline container and shake the container to mix oil and gas thoroughly. Remove cap and add remaining amount of gasoline.

Toro also recommends that Toro Stabilizer/Conditioner be used regularly in all Toro gasoline powered products during operation and storage seasons. Toro Stabilizer/Conditioner cleans the engine during operation and prevents gum-like varnish deposits from forming in the engine during periods of storage.

Note: A fuel stabilizer/conditioner is most effective when mixed with fresh gasoline.

IMPORTANT: NEVER USE METHANOL, GASOLINE CONTAINING METHANOL, GASOHOL CONTAINING MORE THAN 10%

ETHANOL, PREMIUM GASOLINE, OR WHITE GAS BECAUSE ENGINE FUEL SYSTEM DAMAGE COULD RESULT.

DO NOT USE FUEL ADDITIVES OTHER THAN THOSE MANUFACTURED FOR FUEL STABILIZATION DURING STORAGE SUCH AS TORO'S STABILIZER/CONDITIONER OR A SIMILAR PRODUCT. TORO'S STABILIZER/CONDITIONER IS A PETROLEUM DISTILLATE BASED CONDITIONER/STABILIZER. TORO DOES NOT RECOMMEND STABILIZERS WITH AN ALCOHOL BASE SUCH AS ETHANOL, METHANOL OR ISOPROPYL. ADDITIVES SHOULD NOT BE USED TO TRY TO ENHANCE THE POWER OR PERFORMANCE OF MACHINE.

Note: Do not mix gasoline and oil in the product fuel tank. Oil that is at room temperature mixes easier and more thoroughly than cold oil.

50:1 GAS/OIL Mixing Chart

U.S. GALLON	
Gasoline	Oil
1 gallon	2.6 oz.
1.5 gallons	3.9 oz.
2 gallons	5.2 oz.

Operation

Starting/Stopping Engine (Fig. 11)

1. CONTROLS—Key switch, primer, recoil starter, and electric start button are located on the control panel. The choke is just below the control panel.
2. Turn key to ON and pull choke out.
3. Cover hole in center of primer with thumb and push twice. Additional primes may be necessary in extremely cold temperatures.

Note: Choke and primer are usually not necessary when starting a warm engine.

4. STARTING

- A. RECOIL STARTING—Hold snowthrower with one hand and pull recoil starter vigorously with other hand.
- B. ELECTRIC STARTING—Connect extension cord to snowthrower and standard household power outlet. Push starter button. When engine starts, disconnect extension cord from snowthrower and outlet.

IMPORTANT: Excessive running of the electric starter could damage the starter due to overheating. If you are having difficulty starting the engine, **ONLY TRY THIS STARTING PROCEDURE TWICE. Run the electric starter no more than 10 times at intervals of 5 seconds ON, 5 seconds OFF. If engine does not start after this first attempt, wait more than 40 minutes to allow starter to cool before trying to run starter again. Before repeating engine starting procedure, check that ignition key switch is ON, and make sure there is fresh fuel in fuel tank. If engine still will not start after a second attempt, bring the snowthrower to an Authorized Toro Service Dealer for servicing.**

5. When engine starts, push in choke slowly.
6. TO START/STOP ROTOR—To start rotor, squeeze control bar to handle. When the control bar handle is released, the rotor blades stop, but the engine continues to run.
7. TO STOP ENGINE—Release control bar to stop rotor, turn key to OFF, and wait for all moving parts to stop before leaving operator's position.

Operating Tips

1. ADJUSTING DISCHARGE CHUTE (Models 38412 & 38417) (Fig. 12)—Move the chute handle left and right to adjust the direction of the snow stream. The chute deflector handle on top

of the discharge chute controls the height of the snow stream. Do not overtighten the chute deflector mounting nuts so excessive force is required to adjust the deflector.

IMPORTANT: Do not use chute handle to lift snowthrower; damage to chute handle could result.

ADJUSTING DISCHARGE CHUTE

(Models 38423 & 38427) (Fig. 13)—Rotate chute crank clockwise to move discharge chute to the right and counterclockwise to move chute to the left. The chute deflector handle on top of the discharge chute controls the height of the snow stream. Do not overtighten the chute deflector mounting nuts so excessive force is required to adjust the deflector.

- 2. SELF-PROPELLING ACTION** — The snowthrower clears down to the ground and propels itself forward when the handle is raised and the snowthrower is tilted **slightly** forward so rotor blades strike the ground. The wheels do not have to touch the ground in order to self-propel. The further you tilt the handle forward, the faster the snowthrower self-propels. However, depth and height of snow affects forward speed. Always overlap each swath and discharge downwind whenever possible.
- 3.** Keep the area to be cleared free of stones, toys or other foreign objects which may be picked up and thrown by the rotor blades. Such items could be covered by snowfall and, therefore, unnoticed until struck by the rotor blades. Always be sure to keep children and pets away from area of operation.

WARNING

POTENTIAL HAZARD

- **Stones, toys and other foreign objects may be picked up and thrown by the rotor blades.**

WHAT CAN HAPPEN

- **Thrown objects can cause serious personal injury to operator or bystanders.**

HOW TO AVOID THE HAZARD

- **Keep the area to be cleared free of all objects that could be picked up and thrown by rotor blades.**
- **Keep all children and pets away from area of operation.**

- 4.** Should you find it necessary to clear snow from crushed rock or gravel, push down on handle to raise rotor blades clear of loose material that could be thrown by the blades and push unit forward.
- 5.** In some snow and cold weather conditions, some controls and moving parts may freeze solid. **DO NOT USE EXCESSIVE FORCE WHEN TRYING TO OPERATE FROZEN CONTROLS.** When any control or part becomes hard to operate, start the engine and let it run for a few minutes.
- 6. AFTER CLEARING SNOW** — Let engine run for a few minutes so ice does not freeze moving parts solid. After engine is shut off, wipe ice and snow off entire unit. On models 38423 & 38427, operate chute crank several times to clear mechanism of snow.

IMPORTANT: STORE SNOWTHROWER IN OPERATING POSITION ON ITS WHEELS. TIPPING OR STORING UNIT FORWARD ONTO FRONT HOUSING MAY CAUSE HARD STARTING.

Maintenance

Keep snowthrower in safe operating condition by cleaning the unit and tightening nuts, bolts, and screws. The scraper, drive belt, rotor blades, and spark plug should be checked once a year.

Adjusting Control Bar

Periodically check control bar for proper adjustment.

1. Turn key switch to OFF.
2. CHECK ADJUSTMENT (Fig. 8 & 9)—Move control bar back toward handle until slack in cable is removed. Gap between control bar bracket and handle should be approximately 1/16"–1/8". If cable is too loose or too tight, proceed to step 3 for adjustment procedure.

Note: The control cable must always have slack in it when in the disengaged position.

3. ADJUST CABLE
 - A. Models 38412 & 38417 – Unhook spring end from the top hole in control bar bracket (Fig. 8). Slide spring cover off spring and cable adjuster. Unhook Z fitting from cable adjuster and reposition Z fitting in a higher or lower hole on adjuster to obtain proper gap of 1/16"–1/8" between control bar bracket and handle (Fig. 7). (Positioning cable end in a lower hole decreases gap; positioning cable end in a higher hole increases gap.) Reinstall spring cover over cable adjuster and spring. Rehook spring into top hole of control bar bracket (Fig. 8).
 - B. Models 38423 & 38427 – Unhook upper cable end from hole in control bar bracket (Fig. 9). Slide spring cover up cable to expose cable adjuster (Fig. 14). Unhook Z fitting from cable adjuster and reposition Z

fitting in a higher or lower hole on adjuster to obtain proper gap of 1/16"–1/8" between control bar bracket and handle (Fig. 9). (Positioning cable end in a lower hole decreases gap; positioning cable end in a higher hole increases gap.) Reinstall spring cover over cable adjuster. Reinstall upper cable end into rear hole in control bar bracket (hole with arrow) (Fig. 9).

4. After extended use the drive belt may wear and proper belt tension may not be maintained. Improper belt tension causes belt slippage and decreases the snowthrower's performance under a heavy load. Belt slippage may occur after 2–3 seasons of normal usage (10–15 hours). If drive belt slips (continuous squealing noise) under heavy load, increase belt tension by:
 - A. Models 38412 & 38417 – repositioning spring end in bottom hole in control bar bracket (Fig. 8).
 - B. Models 38423 & 38427 – repositioning upper cable end into forward hole in control bar bracket (Fig. 9).

Readjust cable (see steps 2–3).

IMPORTANT: Unnecessary use of forward or bottom adjusting hole in control bar bracket reduces drive belt life. Occasional belt slippage (squealing) may occur in extremely wet conditions due to moisture in drive system. To remove moisture, start rotor and operate under no load for 30 seconds. Once moisture is removed, belt should not slip.

Draining Gasoline

1. Stop engine. Remove key from switch.
2. Remove cap from fuel tank and use a pump type syphon to drain fuel into a clean gas can.

Note: This is the only procedure recommended for draining fuel.

Replacing Scraper

Before each season, inspect scraper for wear. If thickness of bottom of scraper is less than 1/16" (1.6 mm), replace scraper (Fig. 15).

1. Turn ignition key to OFF.
2. Drain gasoline from fuel tank; refer to Draining Gasoline, page 13.
3. Tip snowthrower forward onto front housing.
4. Remove (3) carriage bolts and lock nuts holding scraper in place (Fig. 16). Remove scraper by sliding it to right and down.
5. Install new scraper to housing using carriage bolts and nuts.

Replacing Drive Belt

Inspect drive belt before each season. If ribs on inside of belt are damaged or belt is worn, replacement is necessary.

1. Turn ignition key to OFF.
2. Remove (3) self tapping screws, (2) capscrews, (1) washer and (2) nuts securing belt cover to snowthrower frame (Fig. 17). Set belt cover aside.
3. REMOVING BELT (Fig. 18)—Push down on idler pulley allowing belt to be removed from rotor pulley, brake arm assembly, and engine pulley.
4. INSTALLING BELT (Fig. 18)—Loop belt around engine pulley, under idler pulley, over roller, through brake assembly, and around rotor pulley.

IMPORTANT: Belt must be on top of roller as shown.

5. Reinstall belt cover. Tighten fasteners securely, but **DO NOT OVERTIGHTEN**.

Replacing Spark Plug

Before each snow season, check the spark plug. If electrodes in center of plug are dark or have deteriorated, install a new plug. Use an NGK BPMR4A spark plug and set gap at .032" (.81 mm).

1. REMOVE CONTROL PANEL (Fig. 19)—Remove (3) capscrews securing control panel to housing. Remove ignition key and lift off panel, allowing it to hang on recoil rope.
2. REMOVE SPARK PLUG (Fig. 20)—Pull wire off spark plug and remove plug. Examine the plug and replace if cracked, fouled or dirty. **DO NOT SANDBLAST, SCRAPE OR CLEAN SPARK PLUG BECAUSE DIRT MAY RELEASE AND FALL INTO CYLINDER CAUSING ENGINE DAMAGE.**
3. INSTALL SPARK PLUG—Set air gap (Fig. 21) between electrodes at .032" (.81 mm). Install plug and tighten to 15 ft-lb (20.4 N·m). If torque wrench is not used, tighten plug firmly. Push wire onto spark plug and reinstall control panel with (3) capscrews.

Adjusting Carburetor

The carburetor has been factory set, and no adjustment is required.

Replacing Rotor Blades

Before each snow season, inspect rotor blades for wear. When blade edge has worn to the wear indicator hole (Fig. 22), the blades must be replaced to ensure proper performance and prevent damage to underside of snowthrower. Always replace both blades at the same time.

Note: Whenever rotor blades are replaced, scraper should also be replaced to ensure proper snowthrower operation and performance.

Removing Old Blade

1. Remove (4) torx screws and (4) lock nuts securing outer edges of rotor blade to rotor shaft assembly (Fig. 23).
2. Next, remove (2) hex-head capscrews, spacers and lock nuts securing center of blade to rotor halves (Fig. 23).
3. Loosen the hex-head screw securing the rotor halves to the auger shaft assembly (Fig. 23).
4. Slide the blade out from between the rotor halves (Fig. 23).

Installing New Blade

1. The rotor blades are made of laminated rubber. Examine the edge of a blade to see the difference in layer thicknesses (Fig. 24). (Some blades have a part number on the thick side of the blade.)

Both blades must be installed with the thick layer on the **inside** of the curve. If one blade is installed with the thick layer on the outside of the curve and the other blade installed with the thick layer on the inside of the curve, the blades will be unbalanced, causing the snowthrower to “hop” or “bounce.”

2. Insert the new blade between the rotor halves. Secure it to the rotor halves with (2) hex-head capscrews, (2) spacers and (2) lock nuts (Fig. 23). Position bolt heads on thick (bottom) side of blade. Curve the blade, and secure it with the remaining (4) torx screws and lock nuts (position screw heads on thick side of blade). Tighten all screws and nuts securely.

Storage

1. FUEL SYSTEM PREPARATION—

Note: A fuel stabilizer/conditioner is most effective when mixed with fresh gasoline.

- Add Toro Stabilizer/Conditioner to the fuel tank (one ounce per gallon of fuel).
 - Run engine for five minutes to distribute conditioned fuel through fuel system.
 - Stop engine, allow it to cool, and drain fuel tank or run engine until it stops.
 - Restart the engine again and run it until it stops.
 - Either choke or prime the engine, restart it a third time and run engine until it will not restart.
 - Dispose of fuel properly. Recycle per local codes.
 - **DO NOT store STABILIZED gasoline over 90 days.**
2. CYLINDER/PISTON CARE—Slowly pull recoil starter until resistance is felt due to compression pressure, then stop. Release starter tension slowly to prevent engine from reversing due to compression pressure. This position closes both the intake and exhaust ports which prevents corrosion of the cylinder bore.
 3. TIGHTEN FASTENERS AND CLEAN—Tighten screws, bolts, and nuts if necessary. Repair or replace damaged parts. Clean unit thoroughly.
 4. STORE SNOWTHROWER—Cover snowthrower and store in a clean, dry place out of the reach of children. **NEVER STORE SNOWTHROWER IN HOUSE (LIVING AREA) OR BASEMENT WHERE IGNITION SOURCES MAY BE PRESENT SUCH AS HOT WATER AND SPACE HEATERS, CLOTHES DRYERS, AND THE LIKE BECAUSE GASOLINE AND FUMES ARE HIGHLY FLAMMABLE, EXPLOSIVE, AND DANGEROUS IF INHALED.** Allow engine to cool before storing in any enclosure.

Table des matières

	Page
Introduction	1
Sécurité	2
Avant d'utiliser la déneigeuse	2
Pendant l'utilisation	3
Entretien de la déneigeuse	4
Niveau de pression acoustique	4
Niveau de puissance acoustique	4
Niveau de vibrations	4
Signification des pictogrammes	5
Assemblage	8
Montage des roues	8
Montage de l'éjecteur et de sa poignée d'orientation	9
Montage de la manivelle d'orientation de l'éjecteur	9
Montage de l'éjecteur	9
Montage du manche	9
Montage du câble de commande	9
Montage du câble de commande	10
Avant la mise en marche	10
Préparation du mélange essence/huile	11
Utilisation	12
Mise en marche et arrêt du moteur	12
Conseils d'utilisation	12
Entretien	13
Réglage de la barre de commande	13
Vidange de l'essence	14
Remplacement de la lame racleuse	15
Remplacement de la courroie de transmission	15
Remplacement de la bougie	15
Réglage du carburateur	15
Remplacement des lames du rotor	16
Remisage	16

Introduction

Merci pour votre achat d'un produit Toro.

Chez Toro, notre désir à tous est que vous soyez entièrement satisfait de votre nouveau produit. N'hésitez donc pas à contacter votre concessionnaire agréé local qui tient à votre disposition un service d'entretien et de réparations, des pièces détachées et toute information qui pourrait vous être utile.

Chaque fois que vous contactez votre concessionnaire agréé ou l'usine, tenez à leur disposition les numéros de modèle et de série du produit. Ces numéros aideront le concessionnaire ou le représentant du service après-vente à vous fournir des informations précises pour votre produit particulier. Les numéros de modèle et de série de l'appareil sont indiqués sur une décalcomanie comme illustré à la figure 1.

A titre de référence, notez les numéros de modèle et de série du produit dans l'espace ci-dessous.

<p>No. de modèle : _____</p> <p>No. de série : _____</p>
--

Lisez attentivement ce manuel pour vous familiariser avec l'utilisation et l'entretien correct de votre produit. La lecture de ce manuel vous aidera, ainsi que les autres utilisateurs, à éviter des accidents corporels et des dommages au produit. Bien que Toro conçoive, fabrique et commercialise des produits sûrs, à la pointe de la technologie, vous avez la responsabilité de l'utiliser correctement et en toute sécurité. Vous êtes également responsable d'instruire les personnes auxquelles vous permettrez d'utiliser le produit, sur l'usage en toute sécurité.

Les mises en garde de ce manuel identifient les dangers potentiels et comprennent des messages de sécurité spécifiques destinés à vous éviter ainsi qu'à d'autres des blessures ou même la mort. Les mises en garde sont intitulées DANGER, AVERTISSEMENT et ATTENTION, suivant le niveau de danger. Toutefois, quel que soit ce niveau, soyez extrêmement prudent.

DANGER signale un danger sérieux, entraînant inévitablement des blessures graves, voire mortelles, si les précautions recommandées ne sont pas respectées.


AVERTISSEMENT signale un danger pouvant entraîner des blessures graves, voire mortelles, si les précautions recommandées ne sont pas respectées.

ATTENTION signale un danger pouvant entraîner des blessures légères ou modérées si les précautions recommandées ne sont pas respectées.

Deux autres termes sont également utilisés pour signaler des messages d'informations essentielles : "Important", pour attirer l'attention sur des informations mécaniques spécifiques, et "Remarque", pour des informations d'ordre général méritant une attention particulière.

Pour déterminer les côtés droit et gauche de la machine, se placer en position normale de conduite, derrière le mancheron.

Sécurité

Pour assurer le maximum de sécurité et de rendement et bien connaître la machine, il est essentiel que vous-même et tout autre utilisateur de la machine lisiez et compreniez la matière de ce guide avant de mettre le moteur en marche. Faites particulièrement attention aux symboles de sécurité  qui signifient ATTENTION, AVERTISSEMENT ou DANGER et concernent la sécurité des personnes. Veillez à lire et bien comprendre ces directives qui portent sur votre sécurité. Ne pas les respecter, c'est risquer de se blesser.

Votre déneigeuse est conçue et testée pour fonctionner correctement et sans danger à condition que l'on respecte strictement les instructions de sécurité qui suivent. Le non-respect de ces instructions **PEUT ENTRAÎNER DES ACCIDENTS.**

Avant d'utiliser la déneigeuse

1. Lisez et assimilez le contenu de ce manuel avant d'utiliser la déneigeuse. Familiarisez-vous avec toutes les commandes et sachez comment arrêter rapidement la machine et couper le moteur.
2. Ne laissez jamais un enfant manier la déneigeuse. L'utilisation de la déneigeuse doit être réservée à des adultes ayant pris connaissance du contenu de ce manuel.
3. Ne laissez personne, en particulier les enfants et animaux domestiques, s'approcher de la machine en marche.
4. Inspectez soigneusement la zone à débayer et enlevez les paillassons, traîneaux, planches, bouts de bois, fils et tout objet à la traîne que la déneigeuse pourrait happer et projeter.
5. Maintenez en place toutes les gardes et autres dispositifs de sécurité en place. Avant d'utiliser la machine, réparez ou remplacez tout dispositif de sécurité, garde ou décalque manquant(e) ou endommagé(e). Resserrez également tous les écrous, boulons et vis qui en ont besoin.
6. Portez des vêtements d'hiver appropriés et des chaussures qui vous permettront de maintenir votre équilibre sur les surfaces glissantes. Ne portez pas de vêtements amples qui risquent de s'accrocher dans les pièces mobiles.
7. Portez des lunettes de sécurité lors de toute utilisation de la machine et de toute intervention de réglage ou de réparation, pour protéger vos yeux des objets qui pourraient être projetés.
8. Faites le plein du réservoir d'essence avant de mettre le moteur en marche. Evitez de renverser de l'essence. Comme l'essence est très inflammable, manipulez-la avec soin. **NE FUMEZ PAS À PROXIMITÉ D'ESSENCE.**
 - A. Servez-vous d'un contenant approuvé pour l'essence.
 - B. Remplissez le réservoir de carburant exclusivement à l'extérieur. **N'AJOUTEZ JAMAIS DE CARBURANT SI LE**

MOTEUR TOURNE OU EST CHAUD.

Le moteur doit être froid afin de réduire les risques d'incendie.

- C. Les gaz d'échappement étant dangereux, voire mortels, toujours ouvrir les portes si le moteur doit être démarré dans un garage ou un local clos. Ne faites jamais tourner le moteur dans un endroit confiné.
 - D. Essuyez toute essence reversée et fermez bien le bouchon du bidon à essence et le bouchon du réservoir d'essence de la déneigeuse avant de faire démarrer le moteur.
9. Avant l'utilisation, laissez le moteur chauffer à l'extérieur. Ne faites pas tourner le moteur à l'intérieur.

Pendant l'utilisation

10. N'utilisez que le cordon prolongateur et la fiche fournis avec le modèle de déneigeuse à démarrage électrique. Ne branchez pas le prolongateur lorsque vous vous tenez dans l'eau ou que vous avez les mains mouillées. N'utilisez pas le cordon si vous avez renversé de l'essence. Si le cordon prolongateur est endommagé, remplacez-le immédiatement (réf. n° 28-9170).
11. Ne dirigez jamais l'éjecteur vers et n'utilisez pas la déneigeuse à proximité immédiate de personnes, constructions vitrées, véhicules automobiles, fenêtres ou déclivités. Ne laissez jamais personne se tenir devant la déneigeuse.
12. Tenez les gens et les animaux à distance de la déneigeuse et de l'endroit où vous l'utilisez.
13. N'utilisez jamais votre déneigeuse à moins de disposer d'une visibilité et d'un éclairage suffisants. Veillez à ne pas perdre l'équilibre et tenez bien le manche. Marchez, ne courez jamais.
14. **N'UTILISEZ PAS LA DENEIGEUSE SUR UN TOIT.**

15. Quand vous utilisez la déneigeuse, veillez à éviter les trous du terrain et autres dangers cachés.
16. **N'APPROCHEZ PAS DE L'OUVERTURE D'ÉJECTION LORSQUE LA DÉNEIGEUSE EST EN MARCHÉ.** Gardez le visage, les mains, les pieds et toute autre partie du corps ou de vos vêtements à distance des pièces cachées, mobiles ou tournantes.
17. Ne déneigez jamais perpendiculairement à une pente, ou sur une pente raide. Soyez extrêmement prudent lorsque vous changez de direction sur une pente.
18. Ne surchargez jamais la déneigeuse en déblayant trop vite.
19. Soyez très prudent lorsque vous traversez ou déblayez des chemins, routes ou allées empierrés ou couverts de gravier. Suivez les conseils d'utilisation de la page 13, point 4.
20. Si la déneigeuse heurte un objet étranger ou vibre de façon anormale, arrêtez le moteur en tournant la clé de contact en position d'arrêt (OFF) et attendez l'arrêt complet de toutes les pièces mobiles. Inspectez la déneigeuse immédiatement pour déceler tout défaut, obstruction ou pièce éventuellement desserrée. Les vibrations sont généralement le signe d'un problème. N'utilisez pas la déneigeuse avant d'avoir apporté la réparation nécessaire.
21. Avant de régler, nettoyer, réparer ou vérifier la déneigeuse, ainsi qu'avant de déboucher l'éjecteur, coupez le moteur en tournant la clé de contact sur OFF et attendez l'arrêt de toutes les pièces en mouvement. N'entreprenez pas de réglages lorsque le moteur tourne.
22. **AVANT DE QUITTER LA POSITION DE CONDUITE, COUPEZ LE MOTEUR EN TOURNANT LA CLÉ DE CONTACT EN POSITION OFF. RETIREZ LA CLÉ DE CONTACT SI VOUS COMPTÉZ LAISSER LA DÉNEIGEUSE SANS SURVEILLANCE.**

23. Laissez tourner la déneigeuse pendant quelques minutes après avoir fini le déblaiement pour éviter que les pièces mobiles ne soient bloquées par le gel.

Entretien de la déneigeuse

24. RETIREZ LA CLÉ DE CONTACT lorsque vous remisez la déneigeuse. Conservez la clé dans un endroit dont vous vous souviendrez.
25. Ne rangez jamais une déneigeuse dont le réservoir contient de l'essence à l'intérieur d'un bâtiment à proximité d'une flamme nue ou en présence de risques d'étincelles. Laissez refroidir le moteur avant de remiser la déneigeuse.
L'ESSENCE ET LES VAPEURS ÉTANT EXTRÊMEMENT INFLAMMABLES, EXPLOSIVES ET DANGEREUSES SI INHALÉES, NE RANGEZ JAMAIS LA DÉNEIGEUSE DANS UNE PARTIE HABITÉE DE LA MAISON OU A LA CAVE.
26. N'effectuez que les entretiens décrits dans ce manuel. Avant toute opération d'entretien, retirez la clé de contact pour éviter les risques de démarrage accidentel. Si vous avez besoin de grosses réparations, adressez-vous à votre concessionnaire agréé de vente et d'entretien TORO.
27. Conservez la déneigeuse en état de fonctionner sans danger en veillant à ce que tous les écrous, vis et boulons soient bien serrés. Vérifiez fréquemment le serrage de toute la visserie.
28. Remplacez les décalcomanies d'instruction ou de sécurité manquantes ou endommagées.
29. Pour obtenir le maximum de rendement et de sécurité, achetez toujours des pièces de rechange et des accessoires authentiques TORO pour que votre TORO demeure une TORO à tout égard.
N'UTILISEZ JAMAIS DES PIÈCES DE RECHANGE ET DES ACCESSOIRES SOI-DISANT COMPATIBLES.

Niveau de pression acoustique

Cette machine a un niveau de pression acoustique continu équivalent pondéré A à l'oreille de l'utilisateur de: 91 dB(A), déterminé sur base de mesures de machines identiques, selon ANSI B71.5-1984.

Niveau de puissance acoustique

Modèles 38412/38417

Cette machine a un niveau de puissance acoustique de: 103,4 dB(A) / 1 pW, déterminé sur base de mesures de machines identiques conformément à la directive 79/113/CEE et ses amendements. Tests effectués sur tapis de coco entouré d'herbe de 5 cm (2 pouces) de haut.

Modèles 38423/38427

Cette machine a un niveau de puissance acoustique de: 105 dB(A) / 1 pW, déterminé sur base de mesures de machines identiques conformément à la directive 79/113/CEE et ses amendements. Tests effectués sur tapis de coco entouré d'herbe de 5 cm (2 pouces) de haut.

Niveau de vibrations

Modèles 38412/38417

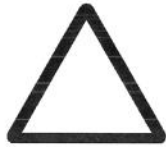
Cette machine a un niveau de vibrations maximum de 14,33 m/s², déterminé sur base de mesures de machines identiques, selon ISO 5349.

Modèles 38423/38427

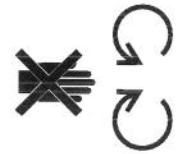
Cette machine a un niveau de vibrations maximum de 22,6 m/s², déterminé sur base de mesures de machines identiques, selon ISO 5349.

Signification des pictogrammes

Triangle de danger —
le pictogramme à
l'intérieur indique la
nature du risque



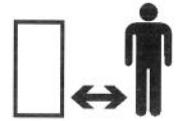
Ne pas ouvrir ou
retirer les boucliers de
protection tant que le
moteur tourne



Signal de danger



Rester à une distance
suffisante de la
machine



Lire le manuel
d'utilisation



Rester à une distance
suffisante de la
machine – déneigeuse
à un étage



Suivre la procédure
d'entretien décrite
dans le manuel



Rester à une distance
suffisante de la
machine – déneigeuse
à deux étages



Couper le moteur et
retirer la clé de
contact avant
d'entreprendre tout
entretien ou
réparation



Projection d'objets —
risques pour tout le
corps



Couper le moteur et
retirer la clé de
contact avant de
quitter la position de
conduite – déneigeuse
à un étage



Electrocution



Couper le moteur et
retirer la clé de
contact avant de
quitter la position de
conduite – déneigeuse
à deux étages



Coupure ou
coincement du pied –
rotation de la tarière



Sectionnement des
doigts ou de la main –
lames de roue hélice



Surfaces brûlantes –
brûlure des doigts ou
des mains



Liquides caustiques –
brûlures chimiques
aux doigts ou aux
mains



Ne pas incliner la
batterie



Conserver au sec



Sens de marche de la
machine – marche
avant



Sens de marche de la
machine – marche
arrière



Démarrage électrique



Perte de contrôle de la
machine en montée



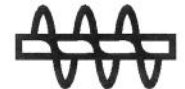
Perte de contrôle de la
machine en descente



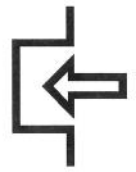
Entraînement des
roues



Tarière de
prélèvement de la
neige



Embrayer



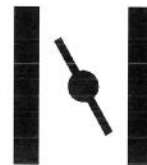
Débrayer



Marche/“ON”



Starter



Arrêt/“OFF”



Régime moteur
(commande des gaz)



Rapide



Point mort



Lent



Tarière de
prélèvement de la
neige



Réduction/
augmentation



Verrouiller



Démarrage du moteur



Déverrouiller



Arrêt du moteur



Actionnement du
levier



Orientation de
l'éjecteur



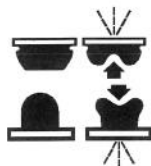
Actionnement du
levier



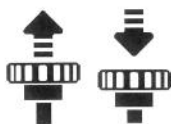
Amorceur (aide au démarrage)



Actionnement de l'amorceur



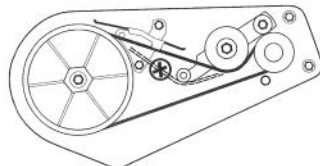
Actionnement de la commande des gaz



Actionnement du PowerShift



Trajet de la courroie



Essence sans plomb



Coupure des doigts ou de la main



Coupure au pied



Assemblage

Remarque: Pour déterminer les côtés gauche et droit, se tenir derrière le manche en position normale de conduite.

Montage des roues (Fig. 2)

1. Coucher doucement la machine sur le côté gauche. Placer une cale en bois sous l'extrémité gauche de l'essieu.
2. Enfiler l'entretoise **courte** et une roue sur l'extrémité droite de l'essieu. Le côté à six rayons de la roue doit être tourné vers le centre de la machine.
3. Glisser un écrou-poussoir sur l'extrémité de l'essieu.
4. A l'aide d'un marteau, frapper l'écrou-poussoir pour loger l'écrou **SOLIDEMENT** en position.
5. Retourner la machine sur le côté droit pour que l'extrémité gauche de l'essieu soit pointée vers le haut.

6. Du côté gauche, enfiler l'entretoise **longue** et une roue sur l'extrémité gauche de l'essieu. Le côté à six rayons de la roue doit être tourné vers le centre de la machine.
7. Placer une cale de bois sous l'extrémité droite de l'essieu. Répéter les opérations 3 et 4.

Montage de l'éjecteur et de sa poignée d'orientation (Fig. 3)

Modèles 38412 & 38417

1. Placer la poignée d'orientation sur la couronne d'éjecteur.
2. Insérer l'éjecteur entre la couronne et la poignée d'orientation. Aligner les trous les uns par rapport aux autres.
3. Fixer l'arrière de l'éjecteur et la poignée au trou central de la couronne à l'aide d'un boulon de carrossier et d'un écrou-frein. Placer l'écrou du côté extérieur de l'éjecteur.

Remarque: On peut faire tourner la couronne pour faciliter le montage de l'éjecteur.

4. Fixer l'éjecteur et la poignée aux trous encore libres dans la couronne, et serrer **SOLIDEMENT** tous les écrous.

Montage de la manivelle d'orientation de l'éjecteur (Fig. 4)

Modèles 38423 & 38427

1. Insérer l'extrémité aplatie de la tige dans le trou du capot, tout en présentant le support de montage face aux trous du mancheron inférieur. Tourner lentement la manivelle jusqu'à ce que l'extrémité aplatie s'engage dans l'ouverture de l'engrenage caché et fasse tourner la couronne de l'éjecteur. S'assurer que la bague en plastique est

insérée à fond dans le trou du support de montage, puis fixer le support de montage au mancheron à l'aide des 2 boulons à tête et de leurs écrous-freins.

Montage de l'éjecteur (Fig. 5)

Modèles 38423 & 38427

1. Placer l'éjecteur sur sa couronne. Tourner le trou à l'arrière de l'éjecteur face au trou central de la couronne, et y mettre en place un boulon de carrossier avec un écrou-frein. Placer l'écrou du côté extérieur de l'éjecteur.
2. Fixer l'éjecteur aux trous encore libres dans la couronne, et serrer **SOLIDEMENT** tous les écrous.

Montage du manche (Fig. 6)

1. Enlever le lien qui attache le câble de commande au manche inférieur.
2. Placer le manche supérieur de telle sorte que la barre de commande se trouve au-dessus, pas en dessous.
3. Fixer les manches supérieur et inférieur à l'aide de 3 boulons, 1 boulon à anneau et 4 écrous-freins. Placer le boulon à anneau dans le trou du haut du côté gauche du mancheron, et le serrer de manière à ce que l'anneau soit perpendiculaire au manche.

Montage du câble de commande

Modèles 38412 & 38417

1. Faire passer le câble de commande dans l'anneau du boulon du côté gauche de la déneigeuse.
2. Accrocher le ressort dans le trou rond à l'extrémité du réglage de câble (Fig. 7).
3. Faire passer le câble dans le trou allongé du réglage de câble. Insérer le crochet en Z de l'extrémité du câble dans le 3ème trou du réglage de câble (Fig. 7).

4. Glisser le cache-ressort sur le ressort et le réglage de câble. Passer l'extrémité du ressort dans le trou au bout du cache-ressort.
5. Accrocher le ressort dans le trou supérieur du support de la barre de commande (Fig. 8).
6. Tirer la barre de commande en arrière, vers la poignée, jusqu'à ce que le câble soit tendu. L'écart entre le support de la barre de commande et le manche doit être alors d'environ 1/16 à 1/8" (1,6 à 3,2 mm), voir l'encadré de la figure 8. Si un réglage est nécessaire, voir les instructions de réglage de la barre de commande, page 13.

Remarque: Il doit toujours y avoir du mou dans le câble de commande lorsqu'il n'est pas sollicité.

Montage du câble de commande

Modèles 38423 & 38427

1. Faire passer le câble de commande dans l'anneau du boulon du côté gauche de la déneigeuse.
2. Accrocher l'extrémité supérieure du câble dans le trou arrière (marqué d'une flèche) du support de la barre de commande (Fig. 9).
3. Tirer la barre de commande en arrière, vers la poignée, jusqu'à ce que le câble soit tendu. L'écart entre le support de la barre de commande et le manche doit être alors d'environ 1/16 à 1/8" (1,6 à 3,2 mm), voir l'encadré de la figure 9. Si un réglage est nécessaire, voir les instructions de réglage de la barre de commande, page 13.

Remarque: Il doit toujours y avoir du mou dans le câble de commande lorsqu'il n'est pas sollicité.

Avant la mise en marche

DANGER

DANGER POTENTIEL

- Dans certaines conditions, l'essence est extrêmement inflammable et hautement explosive.

QUELS SONT LES RISQUES?

- Un incendie ou une explosion causés par l'essence peuvent occasionner des brûlures à vous ou à d'autres personnes, ainsi que des dégâts matériels.

COMMENT SE PROTÉGER?

- Utiliser un entonnoir et remplir le réservoir à l'extérieur, dans un endroit dégagé, lorsque le moteur est froid. Essuyer l'essence éventuellement répandue.
- Ne pas remplir le réservoir à ras bords. Le niveau d'essence doit arriver à 6 à 13 mm (1/4 à 1/2 po.) sous le goulot de remplissage. L'espace au-dessus doit rester vide pour permettre à l'essence de se dilater.
- Ne pas fumer lorsqu'on manipule de l'essence, et se tenir à l'écart de toute flamme nue ou source d'étincelles.
- Conserver l'essence dans un récipient homologué, hors de la portée des enfants.
- Ne jamais acheter une provision d'essence correspondant à une consommation de plus de 30 jours.

Préparation du mélange essence/huile (Fig. 10)

Utiliser de l'essence sans plomb propre et fraîche, éventuellement *oxygénée* ou *reformulée*, avec un indice d'octane de 85 ou plus. Pour garantir la fraîcheur de l'essence, ne pas faire de réserves pour plus de 30 jours. L'usage d'essence sans plomb réduit la formation de dépôts dans la chambre de combustion et augmente la durée de vie des bougies. L'usage d'essence super n'est pas nécessaire ni conseillé.

HUILE APPROUVÉE—Pour plus de facilité et pour obtenir de meilleures performances du moteur, mélanger le contenu d'un flacon de 5,2 onces (150 ml) d'huile Toro deux temps avec deux gallons (7,5 l) d'essence normale sans plomb fraîche (mélange 50:1).

L'huile deux-temps Toro est spécialement formulée pour assurer une lubrification de qualité supérieure, faciliter le démarrage et prolonger la vie du moteur. Si l'on ne dispose pas d'huile deux-temps Toro, mélanger deux gallons (7,5 l) d'essence et 5,2 onces (150 ml) d'une autre huile deux-temps de bonne qualité, dont l'étiquette porte la certification NMMA.

NE JAMAIS UTILISER D'HUILE POUR VOITURES (SAE 30, 10W30, etc.), D'HUILE DEUX-TEMPS NON CERTIFIÉE NMMA, OU D'AUTRE RAPPORT DE MÉLANGE QUE CELUI SPÉCIFIÉ, SOUS PEINE D'ENDOMMAGER LE MOTEUR SANS ÊTRE COUVERT PAR LA GARANTIE TORO.

Préparation du mélange—Verser un demi gallon (2 l) d'essence dans un bidon approuvé pour contenir de l'essence (de préférence en plastique plutôt qu'en métal) et ajouter la quantité d'huile deux-temps spécifiée. Visser le bouchon et agiter le bidon pour bien mélanger l'huile et l'essence, puis retirer le bouchon et ajouter le reste de l'essence.

Toro recommande également l'usage régulier de stabilisateur/conditionneur de carburant Toro dans toutes les machines Toro à moteur à essence, tant en période d'utilisation qu'en période de remisage.

stabilisateur/conditionneur Toro nettoie le moteur pendant l'utilisation et empêche la formation de dépôts gommeux pendant le remisage.

Remarque: Les stabilisateurs/conditionneurs sont plus efficaces lorsqu'on les mélange à de l'essence fraîche.

IMPORTANT: NE JAMAIS UTILISER DE MÉTHANOL, D'ESSENCE CONTENANT DU MÉTHANOL, DE GASOHOL (ESSENCE) CONTENANT PLUS DE 10% D'ÉTHANOL OU D'ESSENCE SUPER OU D'ESSENCE BLANCHE. CES PRODUITS POURRAIENT ENDOMMAGER LE SYSTÈME D'ALIMENTATION.

NE PAS UTILISER D'ADDITIFS AUTRES QUE CEUX CONÇUS POUR LA STABILISATION DU CARBURANT PENDANT L'ENTREPOSAGE, TELS QUE LE STABILISATEUR/CONDITIONNEUR TORO OU UN PRODUIT SIMILAIRE. LE STABILISATEUR/CONDITIONNEUR TORO EST UN PRODUIT À BASE DE DISTILLATS DE PÉTROLE. TORO DÉCONSEILLE L'USAGE DE STABILISATEURS À BASE D'ALCOOLS TELS QUE L'ÉTHANOL, LE MÉTHANOL OU L'ALCOOL ISOPROPYLIQUE. NE PAS UTILISER D'ADDITIFS POUR TENTER D'AUGMENTER LES PERFORMANCES OU LA PUISSANCE DE LA MACHINE.

Remarque: Ne pas mélanger l'essence et l'huile directement dans le réservoir de carburant de la machine. L'huile à température ambiante se mélange mieux et plus facilement que l'huile froide.

Proportions de mélange ESSENCE/HUILE 50:1

U.S. GALLON	
Essence	Huile
1 gallon	2,6 oz.
1,5 gallons	3,9 oz.
2 gallons	5,2 oz.

Utilisation

Mise en marche et arrêt du moteur (Fig. 11)

1. **COMMANDES**—La clé de contact, l'amorceur, le lanceur manuel et le bouton du démarreur électrique se trouvent sur le panneau de commande. L'étrangleur se trouve juste en dessous du panneau de commande.
2. Tourner la clé en position de marche (ON) et tirer l'étrangleur.
3. Couvrir du pouce le trou central de l'amorceur, et appuyer deux fois. Si la température est très basse, il peut être nécessaire d'actionner l'amorceur un plus grand nombre de fois.

Remarque: Quand le moteur est chaud, il n'est généralement pas nécessaire d'utiliser l'étrangleur et l'amorceur pour démarrer.

4. DÉMARRAGE

- A. **DÉMARRAGE MANUEL**—Tenir la déneigeuse d'une main et tirer vigoureusement la poignée du lanceur de l'autre main.
- B. **DEMARRAGE ELECTRIQUE**—Raccorder le cordon d'alimentation à la déneigeuse et le brancher dans une prise de courant domestique standard. Pousser le bouton du démarreur. Quand le moteur a démarré, débrancher le cordon.
- C. Un usage prolongé peut endommager le démarreur pour cause de surchauffe. Si le démarrage est difficile, essayer la procédure qui suit, mais **PAS PLUS DE DEUX FOIS**. Actionner le démarreur pas plus de dix fois d'affilée, selon un rythme de 5 secondes de marche, 5 secondes d'arrêt. Si le moteur n'a pas démarré lors de cette première tentative, attendre plus de 40 minutes pour laisser le démarreur refroidir avant de réessayer. Avant de recommencer la procédure de mise en marche, contrôler que la clé de contact

est en position de marche (ON), et s'assurer qu'il y a du carburant frais dans le réservoir. Si le moteur n'a pas démarré lors du second essai, porter la déneigeuse chez un vendeur réparateur Toro agréé pour la faire réviser.

5. Quand le moteur démarre, ramener progressivement l'étrangleur en position enfoncée.
6. **MARCHE/ARRET DU ROTOR**—Pour embrayer le rotor, serrer la barre de commande contre la poignée. Lorsqu'on lâche la barre de commande, les lames du rotor s'arrêtent, mais le moteur continue à tourner.
7. **POUR COUPER LE MOTEUR**—Lâcher la barre de commande pour arrêter le rotor, tourner la clé de contact sur arrêt (OFF), et attendre l'arrêt de toutes les pièces mobiles avant de quitter la position de conduite.

Conseils d'utilisation

1. **RÉGLAGE DE L'ÉJECTEUR (Modèles 38412 & 38417) (Fig. 12)**—Tourner la poignée d'orientation vers la gauche ou vers la droite pour régler la direction d'éjection de la neige. La poignée du déviateur qui surmonte l'éjecteur contrôle la hauteur du jet de neige. Ne pas serrer les écrous de montage du déviateur si fort que le réglage demande un effort excessif.

Important: Ne pas soulever la déneigeuse par la poignée d'orientation, sous peine d'endommager celle-ci.

RÉGLAGE DE L'ÉJECTEUR (Modèles 38423 & 38427) (Fig. 13) — Tourner la manivelle d'orientation dans le sens des aiguilles d'une montre pour déplacer l'éjecteur vers la droite, ou en sens inverse pour le déplacer vers la gauche. La poignée du déflecteur qui surmonte l'éjecteur contrôle la hauteur du jet de neige. Ne pas serrer les boulons de montage du déflecteur si fort que le réglage demande un effort excessif.

2. **AUTOTRACTION** — La déneigeuse déblaie la neige jusqu'au sol et s'autopropulse en marche avant lorsqu'on relève le manche pour incliner

légèrement la déneigeuse vers l'avant, de sorte que les lames du rotor frappent le sol. Il n'est pas nécessaire que les roues touchent le sol pour que la déneigeuse s'autopropulse. Plus on bascule le manche vers l'avant, plus l'autotraction est rapide. La vitesse de déplacement est cependant affectée par la hauteur et la profondeur de la neige. Toujours faire se chevaucher les passages, et orienter l'éjecteur dans le sens du vent lorsque c'est possible.

3. Ne pas laisser de pierres dans la zone à déblayer, ni de jouets ou d'autres objets qui pourraient être ramassés et projetés par les lames du rotor. Ces objets risquent d'être cachés par la neige et de passer inaperçus jusqu'à ce que les lames du rotor les frappent. Ne jamais laisser les enfants ou les animaux approcher lorsqu'on utilise la machine.

AVERTISSEMENT

DANGER POTENTIEL

- Des pierres, des jouets ou d'autres objets peuvent être ramassés et projetés par les lames du rotor.

QUELS SONT LES RISQUES?

- Des objets projetés peuvent blesser sérieusement l'utilisateur ou des personnes à proximité.

COMMENT SE PROTÉGER?

- Ne pas laisser d'objets susceptibles d'être ramassés et projetés par les lames du rotor dans la zone à déblayer.
- Ne pas laisser des enfants ou des animaux familiers approcher lorsqu'on travaille.

4. Si l'on doit déblayer une zone empierrée ou couverte de gravier, appuyer sur le manche pour relever les lames du rotor afin qu'elles ne touchent pas de cailloux qui pourraient être projetés, et pousser la déneigeuse pour la faire avancer.
5. Dans certaines conditions d'enneigement et de froid, certaines pièces mobiles et certaines commandes peuvent être bloquées par le gel. **NE JAMAIS FORCER DES COMMANDES BLOQUÉES PAR LE GEL.** Si l'on constate qu'une commande ou une pièce deviennent difficiles à actionner, mettre le moteur en marche et le laisser tourner quelques minutes.
6. **APRES LE DÉBLAYAGE**— Laisser le moteur tourner pendant quelques minutes pour éviter que les pièces mobiles ne soient soudées par le gel. Après avoir coupé le moteur, débarrasser entièrement la machine de la glace et de la neige. Actionner plusieurs fois la manivelle de l'éjecteur pour qu'il n'y ait plus de neige dans le mécanisme (modèles 38423 & 38427 seulement).

IMPORTANT: RANGER LA MACHINE EN POSITION NORMALE DE FONCTIONNEMENT, SUR SES ROUES. NE PAS LA BASCULER OU LA RANGER DEBOUT SUR L'AVANT, CELA POURRAIT ENTRAINER DES PROBLEMES DE DÉMARRAGE.

Entretien

Pour conserver la déneigeuse en bon état de fonctionnement, la nettoyer régulièrement et resserrer les écrous, les boulons et les vis si nécessaire. La lame racleuse, la courroie de transmission, les lames du rotor et la bougie doivent être contrôlés une fois par an.

Réglage de la barre de commande

Contrôler périodiquement le réglage de la barre de commande.

1. Tourner la clé de contact sur ARRET (OFF).
2. **CONTROLE DU RÉGLAGE** (Fig. 8 & 9)—
Ramener la barre de commande vers l'arrière, en direction du manche, jusqu'à ce que le câble soit tendu. L'écart entre le support de la barre et le manche doit être d'environ 1/16" à 1/8" (1,6 à 3,2 mm). Si le câble est trop serré ou pas assez, le régler comme expliqué au point 3.

Remarque: Il doit toujours y avoir du mou dans le câble de commande lorsqu'il n'est pas sollicité.

3. RÉGLAGE DU CÂBLE

- A. Modèles 38412 & 38417 – Décrocher l'extrémité du ressort du trou supérieur du support de la barre de commande (Fig. 8). Glisser le cache-ressort pour découvrir le ressort et le dispositif de réglage de câble. Décrocher le crochet en Z du dispositif de réglage du câble et l'accrocher dans un trou plus haut ou plus bas pour obtenir l'écart requis de 1/16" à 1/8" entre le support de la barre de commande et le manche (Fig. 7). (Accrocher l'extrémité du câble plus bas pour réduire l'écart, ou plus haut pour l'augmenter.) Abaisser le cache-ressort sur le ressort et le dispositif de réglage du câble. Raccrocher le ressort dans le trou supérieur de la barre de commande (Fig. 8).
- B. Modèles 38423 & 38427 – Décrocher l'extrémité supérieure du câble hors du trou du support de la barre de commande (Fig. 9). Faire glisser le cache-ressort vers le haut du câble pour faire apparaître le dispositif de réglage du câble (Fig. 14). Décrocher l'extrémité inférieure du câble hors du dispositif de réglage, et l'insérer dans un trou situé plus haut ou plus bas sur le dispositif afin d'obtenir un écart de 1/16" à 1/8" entre le support de la barre et le manche (Fig. 9). (Accrocher l'extrémité du câble plus haut pour réduire l'écart, ou plus bas pour l'augmenter.) Abaisser le cache-ressort sur le dispositif de réglage du câble. Raccrocher l'extrémité supérieure du

câble dans le trou arrière du support de la barre de commande (trou marqué d'une flèche) (Fig. 9).

4. Avec le temps, la courroie de transmission peut s'user, et sa tension peut devenir incorrecte, ce qui se traduit par le patinage de la courroie et une diminution des performances de la déneigeuse sous une forte charge. Le patinage de la courroie peut apparaître après 2 à 3 ans d'utilisation normale (10 à 15 heures). Si la courroie de transmission patine (grincement continu) sous une forte charge, retendre la courroie comme suit:
 - A. Modèles 38412 & 38417 – accrocher l'extrémité du ressort dans le trou inférieur du support de la barre de commande (Fig. 8).
 - B. Modèles 38423 & 38427 – accrocher l'extrémité supérieure du câble dans le trou avant du support de barre de commande (Fig. 9).

Effectuer un nouveau réglage du câble (voir points 2 et 3).

Important: L'accrochage du câble dans le trou avant ou le trou du bas du support de barre de commande alors que ce n'est pas nécessaire réduit la durée de vie de la courroie. La courroie peut parfois patiner (et grincer) si elle est très mouillée, à cause de la présence d'humidité dans le système de transmission. Pour évacuer l'humidité, embrayer le rotor et le laisser tourner à vide durant 30 secondes. Après l'évacuation de l'humidité, la courroie ne devrait plus patiner.

Vidange de l'essence

1. Couper le moteur et retirer la clé de contact.
2. Retirer le bouchon du réservoir d'essence et transférer l'essence dans un bidon propre à l'aide d'un siphon à pompe.

Remarque: Cette méthode est la seule recommandée pour la vidange du réservoir de carburant.

Remplacement de la lame racleuse

Au début de la saison, contrôler l'usure de la lame racleuse. Si l'épaisseur du bas est inférieure à 1/16" (1,6 mm), la lame doit être remplacée (Fig. 15).

1. Tourner la clé de contact en position d'arrêt (OFF).
2. Vidanger le réservoir d'essence (voir page 14).
3. Basculer la déneigeuse debout sur l'avant.
4. Retirer les 3 boulons de carrossier et écrous de fixation de la lame racleuse (Fig. 16). Faire glisser la lame racleuse sur le côté et vers le bas pour la retirer.
5. Monter une nouvelle lame racleuse et la fixer à l'aide des boulons de carrossier et écrous.

Remplacement de la courroie de transmission

Lors de la remise en service en début de saison, inspecter la courroie de transmission et la remplacer si le relief cranté de la face intérieure est endommagé, ou si la courroie est usée.

1. Tourner la clé de contact en position d'arrêt (OFF).
2. Retirer les 3 vis autotaraudeuses, les 2 boulons à tête, la rondelle et les 2 écrous de fixation du carter de courroie au châssis de la déneigeuse (Fig. 17). Déposer le carter de courroie.
3. DÉPOSE DE LA COURROIE (Fig. 18)—
Abaisser la poulie folle pour pouvoir retirer la courroie de la poulie du rotor, de l'unité de frein et de la poulie du moteur.

4. MONTAGE DE LA COURROIE (Fig. 18)—
Passer la courroie autour de la poulie du moteur, sous la poulie folle, sur le rouleau, dans l'unité de frein et autour de la poulie du rotor.

Important: La poulie doit passer au-dessus du rouleau, comme illustré.

5. Remonter le carter de courroie. Serrer solidement toute la visserie, mais **EVITER UN SERRAGE EXCESSIF**.

Remplacement de la bougie

Lors de la remise en service en début de saison, inspecter la bougie. Si les électrodes au centre de la bougie sont sombres ou abîmées, remplacer la bougie. Utiliser une bougie NGK BPMR4A et régler l'écartement des électrodes à .032" (0,81 mm).

1. DÉPOSE DU PANNEAU DE COMMANDE (Fig. 19)—Retirer les 3 boulons à tête de fixation du panneau de commande au boîtier. Retirer la clé de contact, soulever le panneau, et le laisser pendre par la corde du lanceur.
2. DÉPOSE DE LA BOUGIE (Fig. 20)—
Débrancher le fil de bougie et retirer la bougie. Inspecter la bougie et la remplacer si elle est fissurée ou encrassée. **NE PAS NETTOYER OU DÉCAPER LA BOUGIE AU SABLE OU À LA TOILE ÉMÉRI, VU LE RISQUE D'ENDOMMAGER LE MOTEUR PAR L'INTRODUCTION**
3. MONTAGE DE LA BOUGIE—Régler l'écartement des électrodes (Fig. 21) à .032" (0,81 mm). Mettre la bougie en place et la serrer à 15 ft-lb (20,4 N·m). Si l'on n'a pas de clé dynamométrique, visser solidement la bougie. Reconnecter le fil à la bougie, et remonter le panneau de commande en le fixant à l'aide des 3 boulons à tête.

Réglage du carburateur

Le carburateur a été réglé à l'usine et ne doit plus être réglé.

Remplacement des lames du rotor

Lors de la remise en service en début de saison, contrôler l'usure des lames du rotor. Lorsque l'usure atteint le trou indicateur (Fig. 22), les lames doivent être remplacées pour garantir un bon fonctionnement et éviter d'endommager le dessous de la déneigeuse. Toujours remplacer les deux lames en même temps.

Remarque: La lame racleuse devrait être remplacée chaque fois qu'on remplace les lames du rotor afin d'assurer le bon fonctionnement et de préserver les performances de la machine.

Dépose d'une lame usagée

1. Retirer les 4 vis torx et les 4 écrous-freins qui fixent les extrémités de la lame de rotor à l'ensemble d'arbre de rotor (Fig. 23).
2. Retirer ensuite les 2 boulons à tête hexagonale, entretoises et boulons qui fixent la partie centrale de la lame aux plaques d'acier (Fig. 23).
3. Desserrer le boulon à tête hexagonale qui fixe les plaques d'acier à l'arbre du rotor (Fig. 23).
4. Glisser la lame hors des plaques d'acier (Fig. 23).

Montage d'une lame neuve

1. Les lames du rotor sont en caoutchouc stratifié. Examiner le bord pour voir la différence d'épaisseur des couches (Fig. 24). (Certaines lames portent un numéro de référence du côté de la couche épaisse).

Les deux lames doivent être montées avec le côté le plus épais à l'intérieur de l'incurvation. Le montage d'une lame avec le côté épais à l'extérieur et l'autre avec le côté épais à

l'intérieur entraîne un déséquilibre de l'ensemble, caractérisé par une progression irrégulière de la déneigeuse, par "bonds".

2. Insérer la lame neuve entre les plaques d'acier, et la fixer aux plaques à l'aide de 2 boulons à tête hexagonale, 2 entretoises et 2 écrous-freins (Fig. 23). Placer la tête des boulons du côté épais (inférieur) de la lame. Incurver la lame et la fixer à l'aide des 4 vis torx qui restent et de leurs écrous-freins (Placer la tête des vis du côté épais de la lame). Serrer solidement tous les écrous, vis et boulons.

Remisage

1. PRÉPARATION DU SYSTÈME D'ALIMENTATION

Remarque: Les stabilisateurs/conditionneurs sont plus efficaces lorsqu'on les mélange à de l'essence fraîche.

- Ajouter dans le réservoir de carburant une once de stabilisateur/conditionneur Toro par gallon de carburant (8 ml par l).
- Faire tourner le moteur cinq minutes pour bien répartir le carburant traité dans tout le système d'alimentation.
- Couper le moteur, le laisser refroidir et vider le réservoir de carburant, ou laisser tourner le moteur jusqu'à ce qu'il s'arrête faute de carburant.
- Redémarrer le moteur et le laisser tourner jusqu'à ce qu'il s'arrête faute de carburant.
- Utiliser l'étrangleur ou l'amorceur, redémarrer le moteur une troisième fois et le laisser tourner jusqu'à ce qu'il ne veuille plus redémarrer.
- Se débarrasser du carburant correctement, selon les réglementations locales en matière de recyclage.
- **NE PAS conserver l'essence STABILISÉE pendant plus de 90 jours.**

-
2. **PROTECTION DU CYLINDRE ET DU PISTON**—Tirer lentement la poignée du lanceur jusqu'à ce qu'on sente une résistance due à la pression de compression, et s'arrêter. Laisser revenir la poignée lentement pour éviter que le piston ne revienne sous l'effet de la compression. Cette position ferme à la fois les lumières d'admission et d'échappement, ce qui protège l'alésage du cylindre contre la corrosion.
 3. **NETTOYAGE ET RESSERRAGE DE LA VISSERIE**—Resserrer les vis, les boulons et les écrous si nécessaire. Réparer ou remplacer les pièces endommagées. Nettoyer à fond la

machine.

4. **RANGEMENT DE LA DENEIGEUSE**—Couvrez la déneigeuse et rangez-la dans un endroit propre et sec, hors de portée des enfants. **L'ESSENCE ET LES VAPEURS ETANT EXTRÊMEMENT INFLAMMABLES, EXPLOSIVES ET DANGEREUSES SI INHALÉES, NE RANGEZ JAMAIS LA DÉNEIGEUSE DANS UNE PARTIE HABITÉE DE LA MAISON OU A LA CAVE.** Laissez refroidir le moteur avant de ranger la déneigeuse dans un endroit clos.

