



**Count on it.**

**Parts Catalog**

**Rear Roller Brush MVP Kit**  
**Reelmaster® 3550 Series 18-inch Cutting**  
**Unit with 5-inch Reel and Universal Groomer**

Model No. 133-0152



# Ordering Replacement Parts

To order replacement parts, please supply the part number, the quantity, and the description of each part desired.

## Understanding Reference Numbers

Each identified part in an illustration has a reference number. The reference number for a part also appears in the parts list, along with other information about the part.

This catalog uses two special reference number formats, one to indicate parts in a service assembly and another to indicate the quantity of a given part in an illustration.

## Service Assembly Reference Numbers

Parts in service assemblies have reference numbers in the form a:b. The a represents the reference number of the entire service assembly and the b represents a sequential number unique to each part within the service assembly.

For example, a wheel assembly might be identified by reference number 6, the tire by 6:1, the valve by 6:2, and the wheel by 6:3. When you order the assembly identified by reference number 6, you receive all parts identified by reference numbers 6:1, 6:2, and 6:3. However, you may also order any part individually. Reference numbers of this type appear in illustration and in parts lists.

## Reference Numbers Indicating Quantity

In an illustration, if a reference number indicates more than one part, the reference number has the form nX y. The n represents the quantity of the part, the X is the multiplication symbol, and the y represents the reference number.

For example, in an illustration, the reference number 2X 37 means that two of the parts identified by reference number 37 are indicated.

# List of Abbreviations

**AR:** as required

**ASM:** assembly

**BBC:** blade brake control

**BHTF:** button head thread forming

**CARR:** carriage

**CCW:** counter clockwise

**CW:** clockwise

**DEG:** degrees

**DPA:** Dual Point Adjustment

**ECM:** electronic control module

**EXT:** external

**FH:** flat head

**GA:** gauge

**HD:** heavy-duty

**HF:** hex flange

**HH:** hex head

**HHF:** hex head flange

**HHFTF:** hex head flange thread forming

**HJ:** hex jam

**HLH:** hex lag head

**HOC:** height-of-cut

**HP:** high pressure

**HSBH:** hex socket button head

**HSFH:** hex socket flat head

**HSH:** hex socket head

**HWH:** hex washer head

**HWHTF:** hex washer head thread forming

**HYD:** hydraulic

**LH:** left hand

**LP:** low pressure

**LPG:** Liquefied Petroleum Gas

**NI:** nylon insert

**NPTF:** national pipe thread fine

**PFH:** phillips flat head

**PPH:** phillips pan head

**PPHTF:** phillips pan head thread forming

**PRH:** phillips round head

**PTH:** phillips truss head

**PTO:** power-take-off

**RH:** right hand

**ROPS:** roll-over protection system

**RRB:** rear roller brush

**SFH:** slotted fillister head

**SHH:** slotted hex head

**SHWH:** slotted hex washer head

**SPH:** slotted pan head

**SQH:** square head

**SRH:** slotted round head

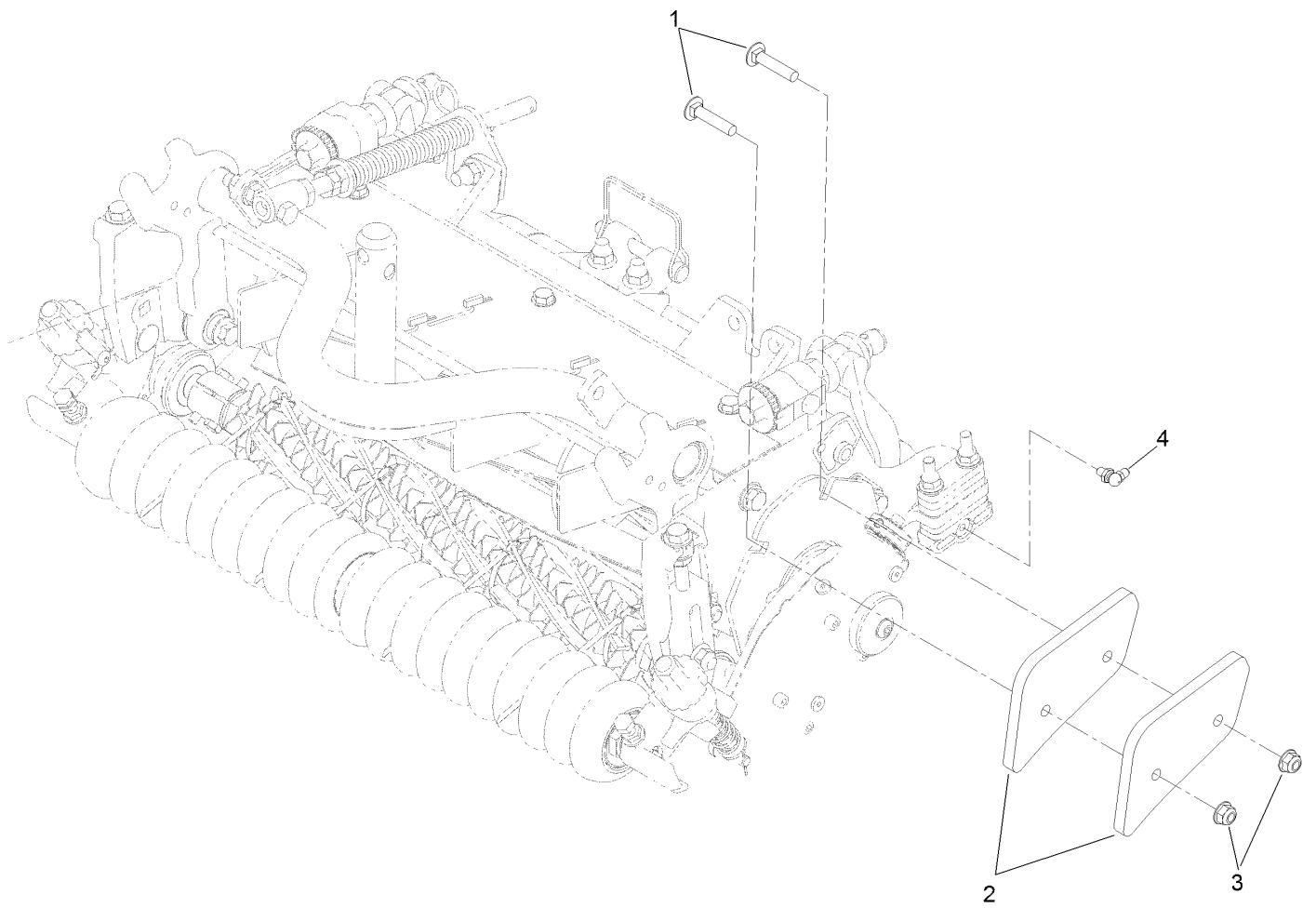
**STD:** standard

**TAP:** self tapping

**TTH:** torx truss head

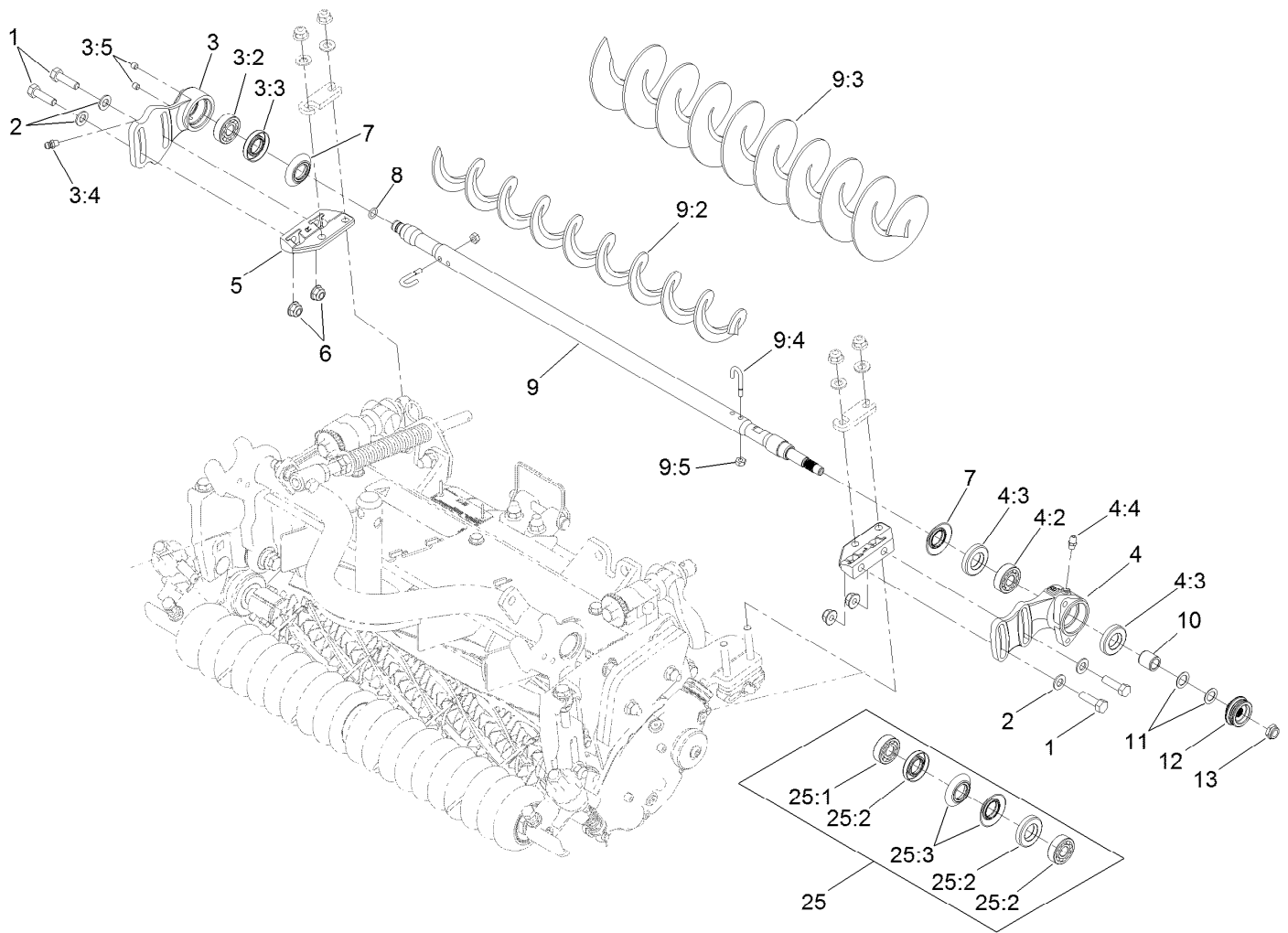
# Contents

- Weight Assembly ..... 4
- Roller Brush Assembly ..... 5
- Drive Assembly ..... 6
- Optional Front Bumper Assembly ..... 7
- Optional Bumper Assembly ..... 8



## Weight Assembly

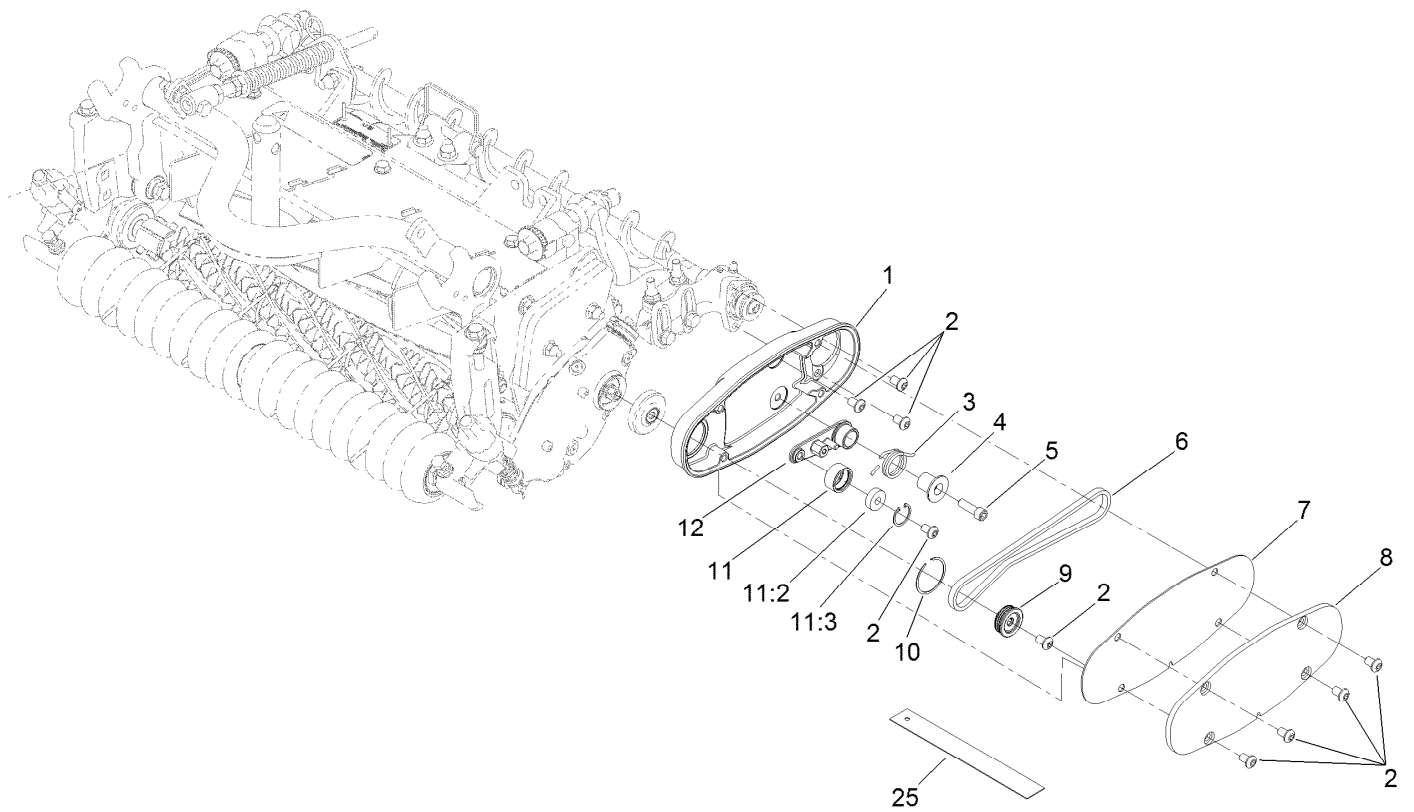
<i>Ref.</i>	<i>Part Number</i>	<i>Qty.</i>	<i>Description</i>
1	3230-4	2	Screw-CARR
2	132-0734-03	2	Weight-Groomer/RRB 5 Inch
3	104-8300	2	Nut-Flange, NI
4	104-1843	1	Fitting-Grease, 90 DEG



## Roller Brush Assembly

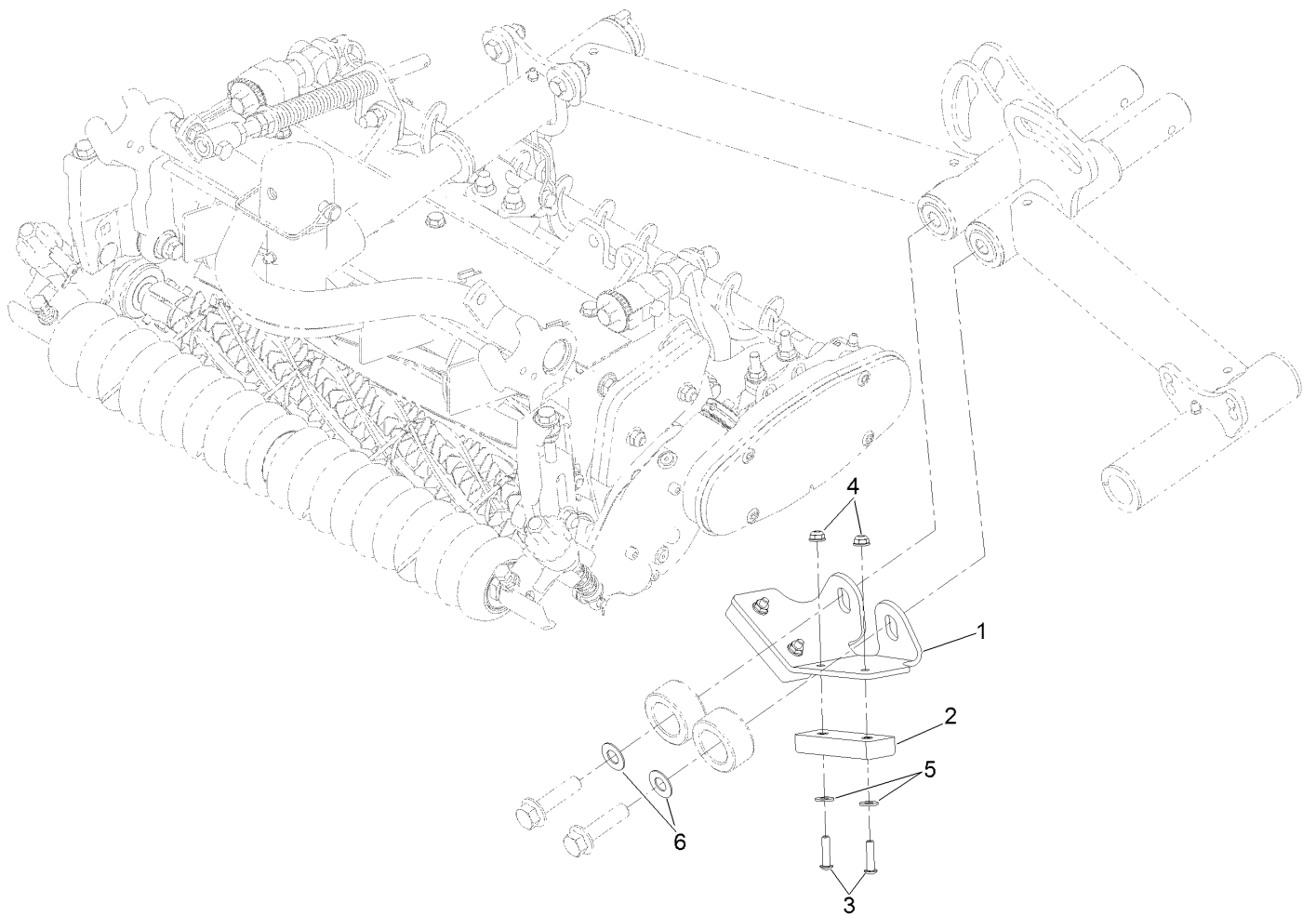
Ref.	Part Number	Qty.	Description	Ref.	Part Number	Qty.	Description
1	322-16	4	Screw-HH	7	108-4172	2	Seal-Excluder
2	94-6936	4	Washer-Hardened	8	107-8844	1	O-Ring
3	120-5148	1	Non-Driven Bearing Housing ASM	9	131-6869	1	18 Inch Roller Brush ASM
3:2	95-0707	1	Bearing-Aligning, Self	9:2	120-5144	1	Brush-Roller
3:3	106-8530	1	Seal-Grease	9:3	121-3199	1	Brush-Roller (High HOC) ●
3:4	302-5	1	Fitting-Grease	9:4	105-9632	2	Bolt-J
3:5	108-0989	2	Screw-Set	9:5	3296-2	2	Nut-Lock, NI
4	127-7143	1	5 Inch Driven Bearing Housing ASM	10	108-4491	1	Spacer
4:2	95-0707	1	Bearing-Aligning, Self	11	112-6957	2	Washer-Hardened
4:3	106-8530	2	Seal-Grease	12	131-1890	1	Pulley-Driven
4:4	302-5	1	Fitting-Grease	13	121-4600	1	Nut-Lock, NI
5	108-4480	2	Bracket-Mounting	25	131-3233	1	Groomer/RRB Seal Kit ●
6	104-8300	4	Nut-Flange, NI	25:1	95-0707	2	Bearing-Aligning, Self
				25:2	106-8530	3	Seal-Grease
				25:3	108-4172	2	Seal-Excluder

● Optional Equipment



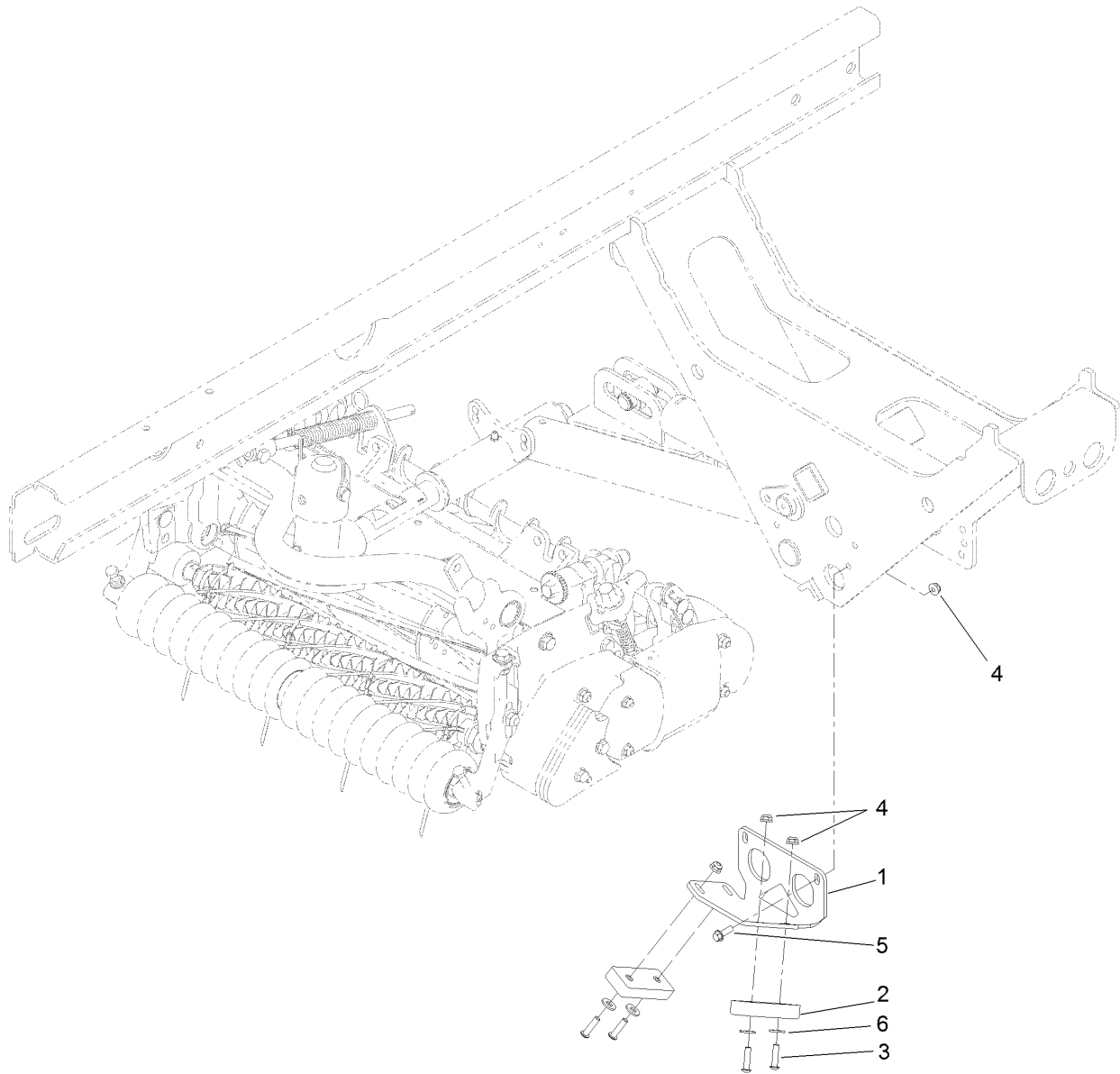
## Drive Assembly

<i>Ref.</i>	<i>Part Number</i>	<i>Qty.</i>	<i>Description</i>
1	131-1863-03	1	Housing-Drive
2	131-1884	9	Screw-HSBH
3	131-1848	1	Spring-Torsion
4	131-1847	1	Bushing-Idler
5	127-8633	1	Screw-HSH, Lock
6	131-1859	1	Belt-3 Rib, Fairway
7	131-1861-03	1	Cover-Drive, Fairway
8	131-3226	1	Plate-Bumper
9	131-6881	1	Pulley-Drive
10	131-1880	1	Ring-Retaining, EXT
11	132-7145	1	Idler ASM
11:2	251-259	1	Bearing-Ball
11:3	104-4727	1	Ring-Retaining
12	131-1846	1	Idler-Drive
25	132-7124	1	Tool Alignment (Univ-RRB)



## Optional Front Bumper Assembly

<i>Ref.</i>	<i>Part Number</i>	<i>Qty.</i>	<i>Description</i>
1	132-7144-03	1	Plate-Bumper, Universal
2	86-5350	2	Bumper-Rubber
3	3274-65	4	Screw-HSBH
4	104-7201	4	Nut-Flange, NI
5	3256-22	4	Washer-Flat
6	3-6803	2	Washer-Adjusting



## Optional Bumper Assembly

<i>Ref.</i>	<i>Part Number</i>	<i>Qty.</i>	<i>Description</i>
1	121-7885-03	1	Bracket-Bumper, Rear
2	86-5350	2	Bumper-Rubber
3	3274-65	4	Screw-HSBH
4	104-7201	6	Nut-Flange, NI
5	32105-15	2	Screw-HWH
6	3256-22	4	Washer-Flat

**Notes:**

**Notes:**

**Notes:**



**Count on it.**